

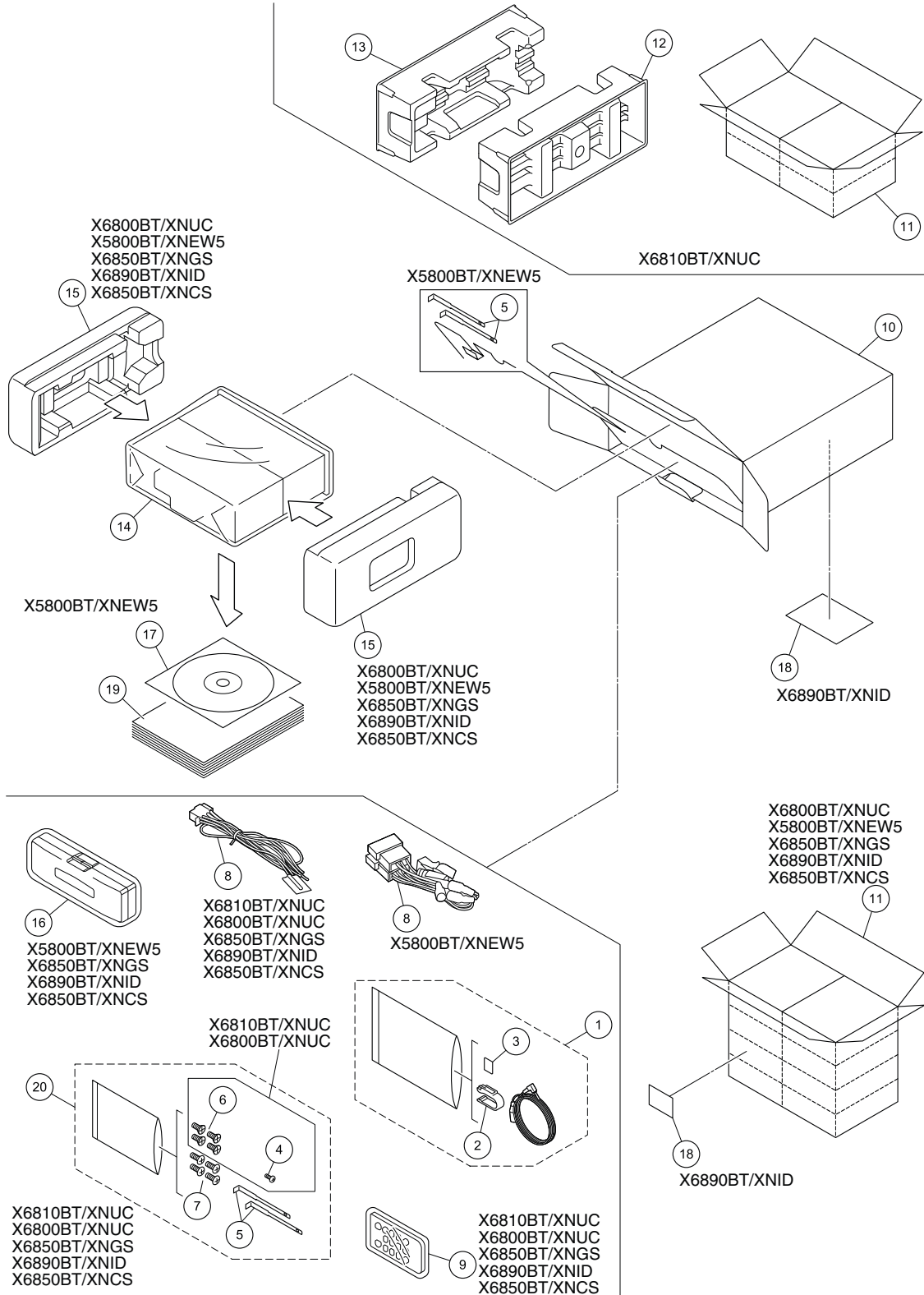


9. EXPLODED VIEWS AND PARTS LIST

- NOTES :**
- Parts marked by " * " are generally unavailable because they are not in our Master Spare Parts List.
 - The  mark found on some component parts indicates the importance of the safety factor of the part. Therefore, when replacing, be sure to use parts of identical designation.
 - Screw adjacent to  mark on the product are used for disassembly.
 - For the applying amount of lubricants or glue, follow the instructions in this manual.
(In the case of no amount instructions, apply as you think it appropriate.)

9.1 PACKING



(1) PACKING SECTION PARTS LIST

<u>Mark No.</u>	<u>Description</u>	<u>Part No.</u>	<u>Mark No.</u>	<u>Description</u>	<u>Part No.</u>
1	Microphone Assy	CPM1083	15	Protector	See Contrast table (2)
2	Holder	CZN7192			
3	Cushion	CZN7193	16	Case Assy	See Contrast table (2)
4	Screw	See Contrast table (2)	17	IM CD-ROM	See Contrast table (2)
5	Handle	QNC3021	18	Label	See Contrast table (2)
			*	19-1 Warranty Card	See Contrast table (2)
6	Screw	See Contrast table (2)	19-2	Owner's Manual	See Contrast table (2)
7	Screw	See Contrast table (2)			
8	Cord Assy	See Contrast table (2)	*	19-3 Caution Card	See Contrast table (2)
9	Card Remote Control Unit	See Contrast table (2)	*	19-4 Caution Card	See Contrast table (2)
10	Unit Box	See Contrast table (2)		19-5 Quick Start Guide	See Contrast table (2)
				19-6 Installation Manual	See Contrast table (2)
11	Contain Box	See Contrast table (2)	*	19-7 Service Network	See Contrast table (2)
12	Protector	See Contrast table (2)			
13	Protector	See Contrast table (2)	20	Accessory Assy	See Contrast table (2)
14	Polyethylene Bag	See Contrast table (2)			

(2) CONTRAST TABLE

DEH-X6810BT/XNUC, DEH-X6800BT/XNUC, DEH-X5800BT/XNEW5, DEH-X6850BT/XNGS, DEH-X6890BT/XNID and DEH-X6850BT/XNCS are constructed the same except for the following:

<u>Mark</u>	<u>No.</u>	<u>Description</u>	<u>DEH-X6810BT/XNUC</u>	<u>DEH-X6800BT/XNUC</u>	<u>DEH-X5800BT/XNEW5</u>
	4	Screw	BPZ20P060FTC	BPZ20P060FTC	Not used
	6	Screw	CBA2383	CBA2383	Not used
	7	Screw	CBA2384	CBA2384	Not used
	8	Cord Assy	CDP1484	CDP1484	QDP3072
	9	Card Remote Control Unit	QXE1044	QXE1044	Not used
	10	Unit Box	QHG3844	QHG3843	QHG3842
	11	Contain Box	QHL3844	QHL3843	QHL3842
	12	Protector	CHP4103	Not used	Not used
	13	Protector	CHP4104	Not used	Not used
	14	Polyethylene Bag	CEG1173	CEG1173	QEG3001
	15	Protector	Not used	CHP4594	CHP4594
	16	Case Assy	Not used	Not used	QXA3129
	17	IM CD-ROM	Not used	Not used	QPJ3032
	18	Label	Not used	Not used	Not used
*	19-1	Warranty Card	QRY3001	QRY3001	CRY1376
	19-2	Owner's Manual	QRD3311	QRD3311	QRB3516
*	19-3	Caution Card	Not used	Not used	CRP1438
*	19-4	Caution Card	Not used	Not used	CRP1441
	19-5	Quick Start Guide	Not used	Not used	QRD3309
	19-6	Installation Manual	Not used	Not used	QRD3310
*	19-7	Service Network	Not used	Not used	Not used
	20	Accessory Assy	QEA3337	QEA3337	Not used

Mark	No.	Description	DEH-X6850BT/XNGS	DEH-X6890BT/XNID	DEH-X6850BT/XNCS
A	4	Screw	Not used	Not used	Not used
	6	Screw	Not used	Not used	Not used
	7	Screw	CBA2384	CBA2384	CBA2384
	8	Cord Assy	CDP1484	CDP1484	CDP1484
	9	Card Remote Control Unit	QXE1044	QXE1044	QXE1044
	10	Unit Box	QHG3846	QHG3847	QHG3845
	11	Contain Box	QHL3846	QHL3847	QHL3845
	12	Protector	Not used	Not used	Not used
	13	Protector	Not used	Not used	Not used
	14	Polyethylene Bag	QEG3001	QEG3001	QEG3001
	15	Protector	CHP4594	CHP4594	CHP4594
	16	Case Assy	QXA3129	QXA3129	QXA3129
	17	IM CD-ROM	Not used	Not used	Not used
	18	Label	Not used	QAN3399	Not used
B	* 19-1	Warranty Card	Not used	CRY1304	Not used
	19-2	Owner's Manual	QRD3313	QRB3524	QRD3312
	* 19-3	Caution Card	Not used	Not used	Not used
	* 19-4	Caution Card	Not used	Not used	Not used
	19-5	Quick Start Guide	Not used	Not used	Not used
	19-6	Installation Manual	Not used	Not used	Not used
	* 19-7	Service Network	Not used	CRY1305	Not used
	20	Accessory Assy	QEA3338	QEA3338	QEA3338

C Owner's Manual, Installation Manual

Part No.	Language
QRD3309	English, French, Italian, Spanish(Espanol), German, Dutch, Russian
QRD3310	English, French, Italian, Spanish(Espanol), German, Dutch, Russian
QRD3311	English, French, Spanish(Espanol)
QRD3312	English, Spanish(Espanol), Portuguese(B)
QRD3313	English, Traditional Chinese, Arabic, Persian
QRB3516	Russian
D QRB3524	English

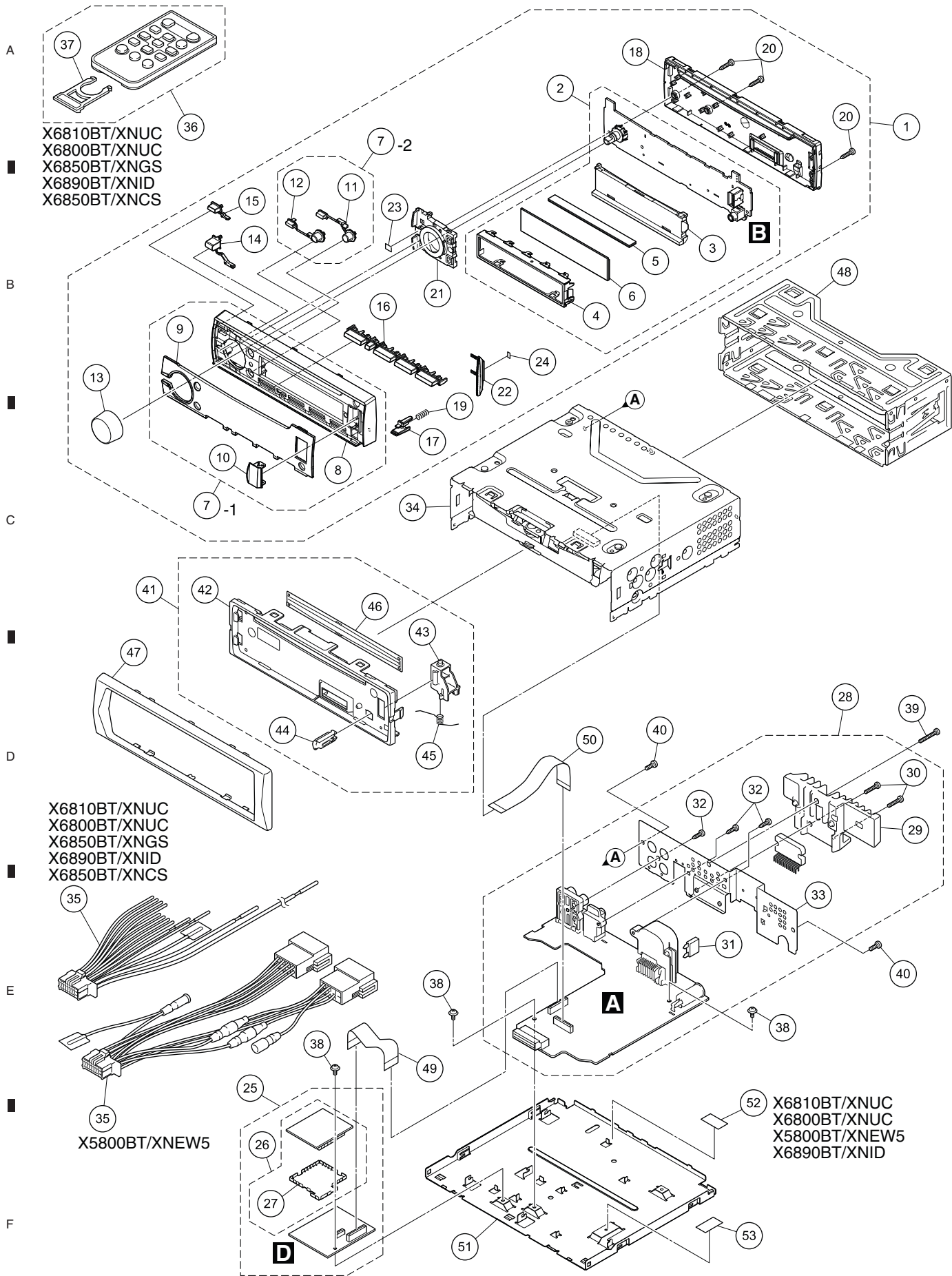
CONTENTS OF CD-ROM (Operation Manual), QPJ3032

Part No.	Language
* QRB3510	English
* QRB3511	French
* QRB3512	Italian
* QRB3513	Spanish(Espanol)
* QRB3514	German
* QRB3515	Dutch
* QRB3516	Russian
* QRB3517	Swedish
* QRB3518	Norwegian
* QRB3519	Finnish
* QRB3520	Danish
* QRB3521	Portuguese
* QRB3522	Greek
* QRB3523	Turkish

All operation manuals are supplied in PDF files by the CD-ROM.

Regarding the availability of paper manual, contact Pioneer Service representative in your region.

9.2 EXTERIOR



(1) EXTERIOR SECTION PARTS LIST

<u>Mark No.</u>	<u>Description</u>	<u>Part No.</u>	<u>Mark No.</u>	<u>Description</u>	<u>Part No.</u>
1	Detach Grille Assy	See Contrast table (2)	28	Tuner Amp Unit	See Contrast table (2)
2	Keyboard Unit	See Contrast table (2)	29	Heat Sink	See Contrast table (2)
3	Lighting Conductor	QNV3121	30	Screw	BSZ26P120FTC
4	Holder	QNC3088			
5	Rubber Connector	QNV3079	⚠ 31	Fuse (10 A)	YEK5001
			32	Screw	BPZ26P080FTC
6	LCD (V1801)	CAW2041	33	Holder	QNC3053
7	Grille Unit	See Contrast table (2)	34	CD Mechanism Module	
8	Grille	See Contrast table (2)		(11.6VA_T07)	CXK5808
9	Plate	See Contrast table (2)	35	Cord Assy	See Contrast table (2)
10	Door	QAT3013			
			36	Card Remote Control Unit	See Contrast table (2)
11	Button (LIST)	QAC3217	37	Cover	See Contrast table (2)
12	Button (BACK)	QAC3218	38	Screw	ASZ26P050FTC
13	Knob Unit	See Contrast table (2)	39	Screw	BSZ26P120FTC
14	Button (PHONE)	QAC3167	40	Screw	BSZ26P060FTC
15	Button (EJECT)	QAC3166			
			41	Panel Assy	See Contrast table (2)
16	Button (TRACK, DISP, 1-6)	QAC3219	42	Panel	QNS3126
17	Button (DETACH)	QAC3171	43	Arm	QNV3025
18	Cover	QNS3701	44	Button	QNV3026
19	Spring	CBH2210	45	Spring	QBH3001
20	Screw	BPZ20P100FTC			
			46	Cover	QNM3029
21	Lighting Conductor	QNV3116	47	Panel	QNS3576
22	Lighting Conductor	QNV3095	48	Holder	QNC3020
23	Sheet	QNM3123	49	FFC	QDE3028
24	Sheet	QNM3124	50	FFC	QDE3029
25	BT Unit	QWM4142			
			51	Case	QNB3032
26	BT Module	CWX4770	52	Sheet	See Contrast table (2)
27	Shield Case	YNC5123	53	Sheet	QNM3135

(2) CONTRAST TABLE

DEH-X6810BT/XNUC, DEH-X6800BT/XNUC, DEH-X5800BT/XNEW5, DEH-X6850BT/XNGS, DEH-X6890BT/XNID and DEH-X6850BT/XNCS are constructed the same except for the following:

Mark	No.	Description	DEH-X6810BT/XNUC	DEH-X6800BT/XNUC	DEH-X5800BT/XNEW5
	1	Detach Grille Assy	QXA4569	QXA4568	QXA4567
	2	Keyboard Unit	QWM4118	QWM4118	QWM4117
	7	Grille Unit	QXA4552	QXA4551	QXA4550
	8	Grille	QNS4022	QNS4022	QNS4021
	9	Plate	QNS4006	QNS4005	QNS3933
	13	Knob Unit	CXE3692	CXE3692	QXA3694
	28	Tuner Amp Unit	QWM4036	QWM4035	QWM4034
	29	Heat Sink	QNR3010	QNR3010	QNR3010
	35	Cord Assy	CDP1484	CDP1484	QDP3072
	36	Card Remote Control Unit	QXE1044	QXE1044	Not used
	37	Cover	CNS7068	CNS7068	Not used
	41	Panel Assy	*CXE3802	QXA3261	QXA3261
	52	Sheet	QNM3130	QNM3130	QNM3130

Mark	No.	Description	DEH-X6850BT/XNGS	DEH-X6890BT/XNID	DEH-X6850BT/XNCS
A	1	Detach Grille Assy	QXA4571	QXA4572	QXA4570
	2	Keyboard Unit	QWM4118	QWM4118	QWM4118
	7	Grille Unit	QXA4554	QXA4555	QXA4553
	8	Grille	QNS4021	QNS4022	QNS4022
	9	Plate	QNS4007	QNS4009	QNS4007
	13	Knob Unit	QXA3694	CXE3692	CXE3692
	28	Tuner Amp Unit	QWM4038	QWM4039	QWM4037
	29	Heat Sink	QNR3002	QNR3002	QNR3010
	35	Cord Assy	CDP1484	CDP1484	CDP1484
	36	Card Remote Control Unit	QXE1044	QXE1044	QXE1044
	37	Cover	CNS7068	CNS7068	CNS7068
	41	Panel Assy	QXA3261	QXA3261	QXA3261
	52	Sheet	Not used	QNM3130	Not used
	B				
C					
D					
E					
F					

9.3 CD MECHANISM MODULE

A

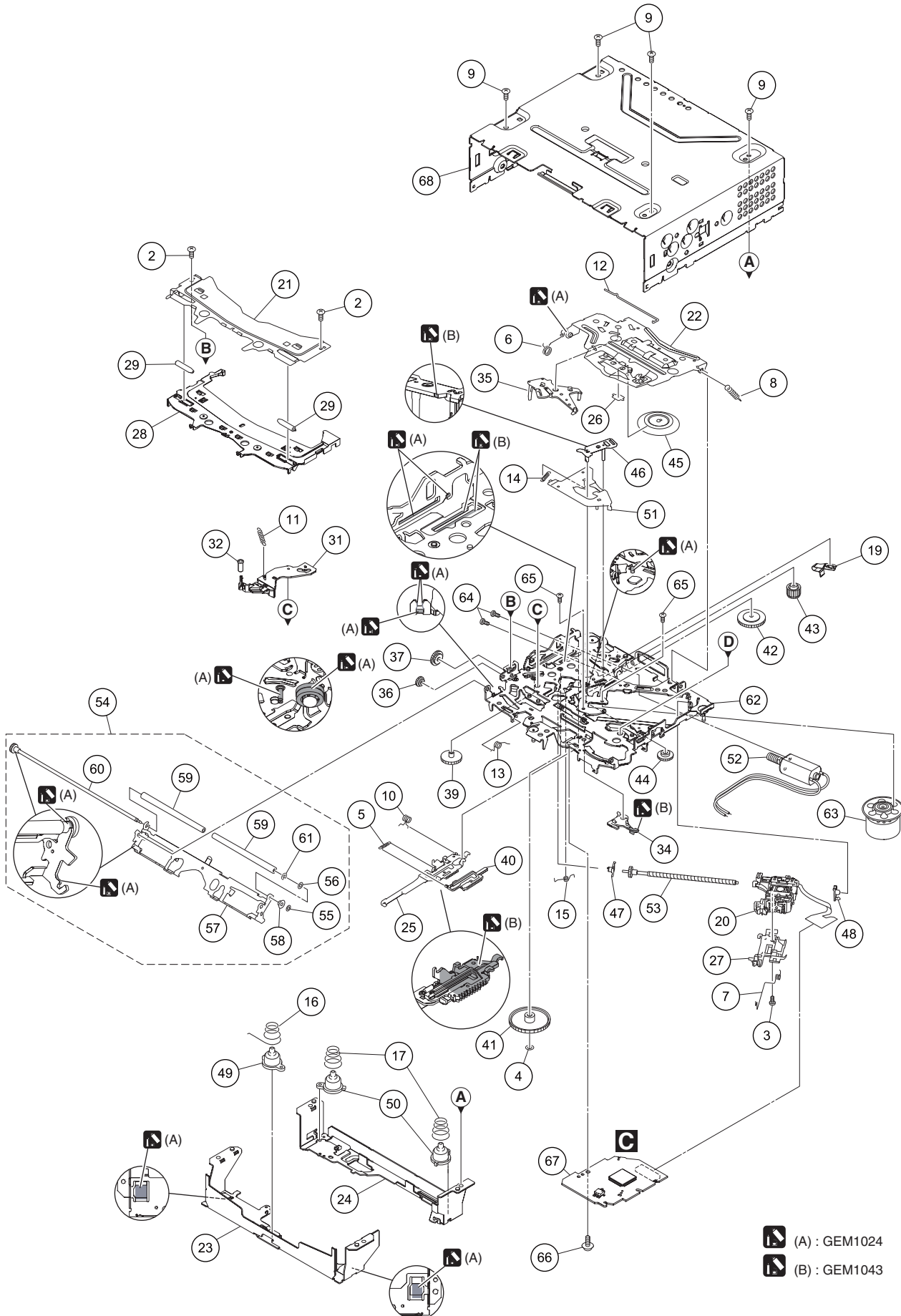
B

C

D

E

F



(A) : GEM1024
 (B) : GEM1043

CD MECHANISM MODULE SECTION PARTS LIST

<u>Mark No.</u>	<u>Description</u>	<u>Part No.</u>	<u>Mark No.</u>	<u>Description</u>	<u>Part No.</u>
1		50	Damper	CNW1198
2	Screw	BSZ20P040FTC	51	Arm	CNW1726
3	Screw(M2 x 4)	CBA1835	52	Motor Unit(M2)(LOAD/CRG)	CXC4026
4	Washer	CBF1038	53	Screw Unit	CXC8894
5	Spring	CBH3010	54	Arm Assy	CXE6232
6	Spring	CBH2855	55	Washer	CBF1037
7	Spring	CBH2856	56	Washer	CBF1038
8	Spring	CBH2860	57	Arm	CND6242
9	Screw	BSZ26P060FTC	58	Collar	CNW2444
10	Spring	CBH3011	59	Roller	CNW2500
11	Coil Spring	CBH3095	60	Gear Unit	CXE6225
12	Spring	CBH3014	61	Washer	YE15FTC
13	Spring	CBH3015	62	Chassis Unit	CXE4528
14	Spring	CBH3016	63	Motor Unit(M1)(SPDL)	CXE2273
15	Spring	CBH3017	64	Screw	JFZ20P025FTC
16	Spring	CBH3086	65	Screw	JGZ17P022FTC
17	Spring	CBH3019	66	Screw	EBA1028
18		67	CD Core Unit (S11.6VA)	CWX4269
19	Leaf Spring	CBL1824	68	Chassis	CNA3373
20	PU Unit(P11)(Service)	CXX4754			
21	Bracket	CND4553			
22	Arm	CND6406			
23	Bracket	CND6127			
24	Bracket	CND5710			
25	Lever	CND5398			
26	Sheet	CNN3678			
27	Rack	CNV8342			
28	Guide	CNW2240			
29	Roller	CNW1172			
30				
31	Arm	CNW2241			
32	Roller	CNW1175			
33				
34	Arm	CNW1177			
35	Arm	CNW1178			
36	Gear	CNW1180			
37	Gear	CNW1181			
38				
39	Gear	CNW1183			
40	Rack	CNW1184			
41	Gear	CNW1185			
42	Gear	CNW1186			
43	Gear	CNW1187			
44	Gear	CNW2287			
45	Clamper	CNW1190			
46	Arm	CNW1192			
47	Holder	CNW1193			
48	Holder	CNW1194			
49	Damper	CNW1197			

12. ELECTRICAL PARTS LIST

NOTE:

- Parts whose parts numbers are omitted are subject to being not supplied.
- The part numbers shown below indicate chip components.

Chip Resistor

RS1/○S○○○○J,RS1/○○S○○○○J

Chip Capacitor (except for CQS.....)

CKS....., CCS....., CSZS.....

- The \triangle mark found on some component parts indicates the importance of the safety factor of the part. Therefore, when replacing, be sure to use parts of identical designation.
- Meaning of the figures and others in the parentheses in the parts list.
Example) IC 301 is on the point (face A, 91 of x-axis, and 111 of y-axis) of the corresponding PC board.

IC 301 (A, 91, 111) IC NJM2068V

- The expression of the unit in this manual is shown by μ instead of m . Please do not make a mistake.

<u>Circuit Symbol and No.</u>	<u>Part No.</u>	<u>Circuit Symbol and No.</u>	<u>Part No.</u>
A:DEH-X6810BT/XNUC		IC 151 (A,152,46) PO Supply IC	BD49101EFS
B:DEH-X6800BT/XNUC		IC 351 (A,112,77) Flash Blank UC IC	R5S726A0D216FP
C:DEH-X5800BT/XNEW5		IC 361 (A,133,75) IC	S-80827CNMC-B8M
D:DEH-X6850BT/XNGS		IC 501 (A,95,85) IC	337S3959
E:DEH-X6890BT/XNID		IC 551 (A,103,107) E-VOL SYS LSI	PM9013A
F:DEH-X6850BT/XNCS		IC 601 (A,147,86) Tuner IC	TEF6686HN
Unit Number : QWM4036(A)		IC 801 (A,107,16) L-MOS And Gate	TC7SET08FUS1
Unit Number : QWM4035(B)		IC 851 (A,80,142) Power AMP IC(A,B,C,E)	PAL013A
Unit Number : QWM4034(C)		(A,80,142) Power AMP IC(D,F)	PA2032A
Unit Number : QWM4038(D)		Q 111 (A,98,122) Bipolar TR	LSCR523UB
Unit Number : QWM4039(E)		Q 121 (A,133,106) Resistor Built-IN TR	LTC014EEB
Unit Number : QWM4037(F)		Q 151 (A,144,33) FET	SSM3J332R
Unit Name : Tuner Amp Unit		Q 501 (A,96,93) Bipolar TR	LSAR523UB
Unit Number : QWM4118(A,B,D,E,F)		Q 751 (A,16,129) Transistor	EMH53
Unit Number : QWM4117(C)		Q 752 (A,24,130) Transistor	EMH53
Unit Name : Keyboard Unit		Q 781 (A,95,96) Bipolar TR(D,E)	EMD53
Unit Number : CWX4269		Q 901 (A,88,127) Transistor	EMD52
Unit Name : CD Core Unit(S11.6VA)		D 101 (A,143,127) Diode	D1F60-5053
Unit Number : QWM4142		D 102 (A,139,127) Diode	D1F60-5053
Unit Name : BT Unit		D 111 (A,95,125) Diode(A,B,D,E,F)	DZ2J068M0
		(A,95,125) Diode(C)	DZ2J075M0
		D 121 (A,130,109) Diode	CRG03
		D 152 (A,153,70) Diode	CRG03
		D 153 (A,144,50) Diode	RB162M-40
		D 156 (A,147,32) Diode	RB056L-40
		D 157 (A,146,63) Diode	CMS30I30A
		D 158 (A,162,63) Diode	CRG03
		D 252 (A,102,39) Diode	CRG03
		D 351 (A,132,82) Diode	RB751SM-40
		D 352 (A,134,70) Diode	RB751SM-40
		D 802 (A,94,17) Diode	DZ2S068C
		D 803 (A,130,14) Diode	DZ2S068C
		D 804 (A,121,14) Diode	DZ2S068C
		D 805 (A,122,14) Diode	DZ2S068C
		D 806 (A,119,14) Diode	DZ2S068C
		D 807 (A,116,14) Diode	DZ2S068C
		D 911 (A,104,127) Diode	CRG03
		D 912 (A,106,127) Diode(A,B,C,E)	CRG03
		L 101 (A,114,141) Choke Coil	CTH1620
		L 151 (A,136,47) SMD SPL Inductor	CTH1521
		L 152 (A,152,27) SMD SPL Inductor	CTH1584

MISCELLANEOUS

	1	2	3	4
	<u>Circuit Symbol and No.</u>	<u>Part No.</u>	<u>Circuit Symbol and No.</u>	<u>Part No.</u>
	L 552 (A,96,102) Inductor	CTF1793	R 182 (A,161,40)	RS1/16SS820J
	L 602 (A,143,106) Inductor(A,B,C,F)	CTF1389	R 184 (A,161,42)	RS1/16SS682J
A	L 603 (A,140,96) Chip Coil(D,E)	LCTAWR27J2520	R 185 (A,159,34)	RS1/16SS102J
	L 604 (A,141,92) Chip Coil(D,E)	LCTAW3R3J2520	R 187 (A,157,33)	RS1/16SS1203D
	L 605 (A,139,92) Inductor(A,B,C,F)	LCYC150K1608	R 188 (A,155,33)	RS1/16SS1802D
	L 606 (A,147,78) Inductor(A,B,D,E)	CTF1786	R 189 (A,145,57)	RS1/16SS6802D
	L 610 (A,152,104) Inductor	LCMAR27J1608	R 190 (A,143,57)	RS1/16SS3903D
	L 611 (A,143,104) Inductor(D,E)	ATL7033	R 251 (A,100,55)	RS1/16SS101J
	L 613 (A,159,81) Inductor(D,E)	CTF1786	R 252 (A,100,54)	RS1/16SS101J
	L 701 (A,125,26) Inductor	CTF1389	R 253 (A,100,52)	RS1/16SS101J
	L 801 (A,117,14) Inductor	CTF1713	R 256 (A,92,62)	RS1/16SS222J
	T 601 (A,148,97) Variable Coil	CTC1215	R 301 (A,107,19)	RS1/10SR473J
	X 351 (A,129,76) 12.0 MHz	CSS1847	R 302 (A,110,21)	RS1/10SR0R0J
B	X 353 (A,125,92) Resonator 16.93 MHz	CSS1794	R 353 (A,105,59)	RS1/16SS473J
	X 601 (A,157,86) Crystal Resonator	CSS1867	R 354 (A,111,62)	RS1/16SS473J
	P 601 (A,157,109) Surge Absorber	IMSA-6803-01Y900	R 355 (A,133,63)	RS1/16SS103J
	△P753 (A,9,131) Fuse 3.0 A	CEK1404	R 357 (A,128,69)	RS1/16SS473J
	VA801 (A,107,13) SMD Varistor	MLV0402ES012V0010N	R 359 (A,115,63)	RS1/16SS0R0J
	VA802 (A,103,14) SMD Varistor	MLV0402ES012V0010N	R 360 (A,116,66)	RS1/16SS0R0J
	CN251 (A,95,49) Connector	VKN1192	R 364 (A,129,70)	RS1/16SS104J
	CN701 (A,116,32) Connector	VKN1192	R 368 (A,123,69)	RS1/16SS102J
	CN801 (A,111,4) Connector	CKS6452	R 369 (A,124,64)	RS1/16SS473J
	JA101 (A,115,141) Plug	CKM1624	R 370 (A,124,66)	RS1/16SS473J
	JA601 (A,160,129) Antenna Jack	YKS5041	R 371 (A,127,68)	RS1/16SS473J
C	JA751 (A,21,141) Jack	CKB1109	R 373 (A,124,76)	RS1/16SS152J
	JA781 (A,44,141) Jack	CKN1103	R 374 (A,125,62)	RS1/16SS153J
	△ Fuse 10 A	YEK5001	R 375 (A,125,61)	RS1/16SS153J

RESISTORS

	R 111 (A,95,122)	RS1/16SS223J	R 376 (A,124,79)	RS1/16SS473J
	R 112 (A,96,122)	RS1/16SS473J	R 377 (A,135,72)	RS1/16SS103J
	R 113 (A,97,125) (A,B,D,E,F)	RS1/16SS682J	R 378 (A,127,82) (B,C,E)	RS1/16SS473J
	(A,97,125) (C)	RS1/16SS333J	(A,127,82) (D)	RS1/16SS103J
	R 114 (A,101,123) (A,B,D,E,F)	RS1/4SA102J	R 379 (A,128,82) (A,D,F)	RS1/16SS473J
	(A,101,123) (C)	RS1/4SA122J	(A,128,82) (E)	RS1/16SS103J
D	R 121 (A,134,108)	RS1/16SS103J	R 380 (A,133,82)	RS1/16SS103J
	R 123 (A,130,115)	RS1/4SA102J	R 383 (A,122,89)	RS1/16SS222J
	R 151 (A,146,56)	RS1/16SS8202D	R 384 (A,127,87)	RS1/16SS473J
	R 156 (A,138,41)	RS1/16SS102J	R 385 (A,132,85)	RAB4CQ473J
	R 158 (A,137,41)	RS1/16SS2403D	R 386 (A,122,93)	RS1/16SS473J
	R 159 (A,139,39)	RS1/16SS7502D	R 387 (A,122,96)	RS1/16SS473J
	R 160 (A,143,46)	RS1/16SS753J	R 388 (A,111,94)	RS1/16SS473J
	R 161 (A,145,43)	RS1/16SS4703D	R 389 (A,112,91)	RS1/16SS473J
	R 162 (A,143,43)	RS1/16SS4303D	R 390 (A,111,97)	RS1/16SS473J
	R 163 (A,136,26)	RS1/16SS3903D	R 391 (A,115,90)	RS1/16SS221J
	R 164 (A,136,24)	RS1/16SS6202D	R 392 (A,114,90)	RS1/16SS221J
E	R 165 (A,141,32) 30 mohm	CCN1401	R 393 (A,114,88)	RS1/16SS221J
	R 167 (A,159,56)	RS1/16SS102J	R 394 (A,113,91)	RS1/16SS221J
	R 168 (A,160,54)	RS1/16SS102J	R 395 (A,111,92)	RS1/16SS221J
	R 169 (A,160,56)	RS1/16SS102J	R 396 (A,112,89)	RS1/16SS221J
	R 172 (A,160,49)	RS1/16SS393J	R 397 (A,110,92)	RS1/16SS473J
	R 173 (A,164,50)	RS1/16SS4703D	R 398 (A,107,91)	RS1/16SS473J
	R 174 (A,163,48)	RS1/16SS1503D	R 399 (A,109,90)	RS1/16SS101J
	R 175 (A,108,44)	RS1/16SS393J	R 400 (A,94,65)	RS1/16SS473J
	R 176 (A,106,44)	RS1/16SS103J	R 401 (A,105,89)	RS1/16SS102J
	R 177 (A,156,35)	RS1/16SS273J	R 402 (A,106,92)	RS1/16SS473J
F	R 178 (A,161,36)	RS1/16SS1003D	R 403 (A,101,92)	RS1/16SS473J
	R 179 (A,162,38)	RS1/16SS7503D	R 404 (A,103,88)	RS1/16SS473J
	R 180 (A,163,38)	RS1/16SS1603D	R 409 (A,100,82)	RS1/16SS472J
			R 411 (A,104,60)	RS1/16SS472J
			R 412 (A,96,80)	RS1/16SS104J
			R 413 (A,100,79)	RS1/16SS101J

5		6		7		8	
<u>Circuit Symbol and No.</u>		<u>Part No.</u>		<u>Circuit Symbol and No.</u>		<u>Part No.</u>	
R 414	(A,97,78)	RS1/16SS101J	RS1/16SS101J	R 795	(A,93,94) (D,E)	RS1/16SS471J	RS1/16SS102J
R 415	(A,101,78)	RS1/16SS101J	RS1/16SS102J	R 796	(A,60,137)	RS1/16SS102J	RS1/16SS102J
R 416	(A,97,76)	RS1/16SS102J	RS1/16SS102J	R 797	(A,60,134)	RS1/16SS471J	RS1/10SR222J
R 418	(A,97,75)	RS1/16SS102J	RS1/16SS102J	R 799	(A,61,137) (D,E)	RS1/16SS471J	RS1/10SR222J
R 419	(A,98,74)	RS1/16SS102J	RS1/16SS102J	R 801	(A,131,7)	RS1/16SS223J	RS1/16SS223J
R 420	(A,96,70)	RS1/16SS473J	RS1/16SS473J	R 803	(A,122,18)	RS1/16SS223J	RS1/10SR101J
R 421	(A,100,71)	RS1/16SS473J	RS1/16SS222J	R 804	(A,119,18)	RS1/10SR101J	RS1/10SR101J
R 424	(A,100,69)	RS1/16SS222J	RS1/16SS103J	R 805	(A,122,20)	RS1/10SR101J	RS1/10SR101J
R 425	(A,102,63)	RS1/16SS103J	RS1/16SS0R0J	R 806	(A,118,20)	RS1/10SR101J	RS1/10SR101J
R 428	(A,108,95)	RS1/16SS0R0J	RS1/16SS473J	R 807	(A,120,20)	RS1/10SR222J	RS1/10SR220J
R 501	(A,94,90)	RS1/16SS473J	RS1/16SS222J	R 808	(A,130,9)	RS1/10SR220J	RS1/10SR220J
R 502	(A,93,88)	RS1/16SS222J	RS1/16SS222J	R 809	(A,117,19)	RS1/10SR220J	RS1/10SR220J
R 503	(A,94,88)	RS1/16SS222J	RS1/16SS272J	R 810	(A,115,19)	RS1/10SR222J	RS1/10SR222J
R 504	(A,97,88)	RS1/16SS272J	RS1/16SS472J	R 813	(A,109,14)	RS1/10SR222J	RS1/10SR222J
R 505	(A,98,88)	RS1/16SS472J	RS1/16SS472J	R 814	(A,103,18)	RS1/16SS822J	RS1/10SR222J
R 506	(A,99,88)	RS1/16SS472J	RS1/16SS101J	R 815	(A,102,18)	RS1/16SS822J	RS1/10SR222J
R 507	(A,98,84)	RS1/16SS101J	RS1/16SS101J	R 816	(A,98,19)	RS1/10SR222J	RS1/10SR222J
R 508	(A,98,83)	RS1/16SS101J	RS1/16SS391J	R 817	(A,97,19)	RS1/16SS472J	RS1/16SS103J
R 603	(A,137,92) (A,B,C,F)	RS1/16SS391J	RS1/16SS101J	R 841	(A,95,20)	RS1/16SS472J	RS1/16SS103J
	(A,137,92) (D,E)	RS1/16SS101J	RS1/16SS105J	R 859	(A,91,125)	RS1/16SS103J	RS1/16SS221J
R 604	(A,146,109)	RS1/16SS105J	RS1/16SS105J	R 901	(A,92,127)	RS1/16SS103J	RS1/16SS223J
R 605	(A,151,109)	RS1/16SS105J	RS1/16SS101J	R 902	(A,92,129)	RS1/16SS221J	RS1/16SS223J
R 606	(A,149,81)	RS1/16SS101J	RS1/16SS101J	R 903	(A,91,128)	RS1/16SS223J	
R 607	(A,150,81)	RS1/16SS101J	RS1/16SS103J				
R 608	(A,153,82)	RS1/16SS103J					
CAPACITORS							
R 610	(A,152,82)	RS1/16SS103J	RS1/16SS0R0J	C 101	(A,135,124) 2 200 uF/16 V	CCH1405	
R 622	(A,148,78) (A,B,C,F)	RS1/16SS0R0J	RS1/16SS472J	C 111	(A,98,125)	CKSRYB104K50	
R 637	(A,151,78)	RS1/16SS472J	RS1/16SS472J	C 121	(A,135,109) 1 uF	CCG1396	
R 638	(A,150,78)	RS1/16SS472J	RS1/16SS0R0J	C 123	(A,139,77)	CKSRYB104K16	
R 652	(A,163,86)	RS1/16SS0R0J	RS1/10SR0R0J	C 151	(A,146,69)	XCEVW221M16	
R 653	(A,146,74) (A,B)	RS1/10SR0R0J	RS1/16SS0R0J	C 152	(A,142,63) 1 uF	CCG1396	
R 655	(A,164,89)	RS1/16SS0R0J	RS1/16SS0R0J	C 153	(A,141,65) 10 uF	CCG1236	
R 656	(A,144,75) (D,E)	RS1/16SS0R0J	RS1/16SS0R0J	C 154	(A,136,53)	CKSRYB105K10	
R 660	(A,159,82) (A,B,C,F)	RS1/16SS0R0J	RS1/16SS473J	C 156	(A,160,70)	XCEAT102M16	
R 701	(A,110,38)	RS1/16SS473J	RS1/16SS104J	C 157	(A,155,64) 10 uF	CCG1236	
R 702	(A,116,38)	RS1/16SS104J	RAB4CQ472J	C 160	(A,141,54) 10 uF	CCG1236	
R 703	(A,121,28)	RAB4CQ472J	RS1/16SS104J	C 162	(A,139,41)	CCSSCH391J50	
R 704	(A,112,40)	RS1/16SS104J	RS1/16SS221J	C 163	(A,132,38)	CEVQW221M6R3	
R 706	(A,110,36)	RS1/16SS221J	RS1/16SS221J	C 164	(A,145,46)	CCSSCH471J50	
R 707	(A,111,38)	RS1/16SS221J	RS1/16SS101J	C 165	(A,143,45)	CCSSCH221J50	
R 708	(A,112,38)	RS1/16SS101J	RS1/16SS221J	C 166	(A,138,37) 10 uF	CCG1192	
R 709	(A,113,38)	RS1/16SS221J	RS1/16SS101J	C 167	(A,132,29) 10 uF	CCG1192	
R 710	(A,114,38)	RS1/16SS101J	RS1/16SS102J	C 169	(A,134,24) 10 uF	CCG1192	
R 711	(A,116,39)	RS1/16SS102J	RS1/16SS331J	C 171	(A,136,31) 10 uF	CCG1236	
R 715	(A,119,36)	RS1/16SS331J	RS1/16SS331J	C 172	(A,138,31) 10 uF	CCG1236	
R 716	(A,120,36)	RS1/16SS331J	RS1/16SS221J	C 173	(A,164,48)	CKSRYB105K10	
R 717	(A,121,36)	RS1/16SS331J	RS1/16SS221J	C 174	(A,161,43)	CKSRYB105K10	
R 718	(A,124,36)	RS1/16SS221J	RS1/16SS104J	C 177	(A,158,80) 10 uF	CCG1192	
R 719	(A,123,36)	RS1/16SS104J	RS1/16SS821J	C 178	(A,157,36)	CCSSCH391J50	
R 751	(A,19,123)	RS1/16SS821J	RS1/16SS821J	C 179	(A,157,35)	CKSSYB102K50	
R 752	(A,14,123)	RS1/16SS821J	RS1/16SS223J	C 180	(A,163,34) 10 uF	CCG1192	
R 753	(A,17,124)	RS1/16SS223J	RS1/16SS223J	C 181	(A,161,28)	CEVQW221M6R3	
R 754	(A,14,125)	RS1/16SS223J	RS1/16SS821J	C 183	(A,162,41) 4.7 uF	CCG1212	
R 755	(A,27,126)	RS1/16SS821J	RS1/16SS821J	C 185	(A,143,24)	XCEVW221M10	
R 756	(A,21,125)	RS1/16SS821J	RS1/16SS223J	C 186	(A,157,34)	CCSSCH561J50	
R 757	(A,26,129)	RS1/16SS223J	RS1/16SS223J	C 187	(A,130,22)	CKSRYB104K50	
R 758	(A,22,127)	RS1/16SS223J	RS1/16SS0R0J	C 188	(A,135,17) (A,B)	CKSRYB105K10	
R 764	(A,21,130)	RS1/16SS0R0J	RS1/16SS0R0J		(A,135,17) (C,D,E,F)	CKSRYB102K50	
R 765	(A,19,126)	RS1/16SS0R0J	RS1/16SS0R0J	C 192	(A,148,20) 22 uF	CCG1254	
R 789	(A,51,132)	RS1/16SS0R0J	RS1/16SS0R0J	C 194	(A,146,16) (C,D,E,F)	CKSRYB103K50	

1

Circuit Symbol and No.

2

Part No.

3

Circuit Symbol and No.

4

Part No.

	C 252	(A,100,53)	CCSSCH470J50	C 576	(A,97,100)	CKSSYB104K10
	C 253	(A,100,42)	CKSRYB104K16	C 577	(A,108,99) 10 uF	CCG1192
A	C 255	(A,92,38) 10 uF	CCG1192	C 583	(A,110,109) 10 uF	CCG1192
	C 351	(A,107,66)	CKSSYB104K10	C 584	(A,110,106)	CKSSYB104K10
	C 352	(A,111,66)	CKSSYB104K10	C 585	(A,110,105)	CKSSYB104K10
	C 353	(A,113,66)	CKSSYB104K10	C 586	(A,110,103)	CKSSYB104K10
	C 354	(A,115,66)	CKSSYB104K10	C 587	(A,98,105)	CKSSYB102K50
	C 357	(A,118,66)	CKSSYB104K10	C 589	(A,93,102) 1 uF	DCH1246
	C 359	(A,125,72) 1 uF	DCH1246	C 590	(A,112,104)	CKSRYB105K10
	C 361	(A,125,70)	CKSSYB104K10	C 602	(A,141,100) (D,E)	CCSSCK2R0C50
	C 362	(A,123,74) (A,B,C,F) (A,123,74) (D,E)	CKSSYB104K10 CCSSCH101J50	C 603	(A,141,101) (D,E)	CCSSCK1R0C50
	C 363	(A,123,75) (A,B,C,F) (A,123,75) (D,E)	CKSSYB104K10 CCSSCH102J50	C 604	(A,142,98) (D,E)	CCSSCK1R0C50
B	C 364	(A,128,78) (D,E)	CCSSCH120J50	C 605	(A,143,99) (D,E)	CCSSCH120J50
	C 365	(A,130,79) (A,B,C,F)	CCSSCH120J50	C 607	(A,142,89)	CKSSYB102K50
	C 366	(A,129,73)	CCSSCH120J50	C 610	(A,142,86)	CKSSYB152K50
	C 368	(A,123,78)	CKSSYB102K50	C 611	(A,148,105)	CCSSCH331J50
	C 369	(A,124,83)	CKSSYB104K10	C 612	(A,149,105)	CCSSCH220J50
	C 370	(A,125,83)	CKSSYB104K10	C 613	(A,156,104)	CCSSCH100D50
	C 375	(A,125,95)	CCSSCH120J50	C 615	(A,145,91)	CKSSYB104K10
	C 376	(A,125,89)	CCSSCH120J50	C 617	(A,150,93)	CKSSYB102K50
	C 377	(A,125,97)	CKSRYB105K16	C 618	(A,150,92)	CKSSYB224K6R3
	C 379	(A,122,94)	CCSSCJ3R0C50	C 620	(A,154,92)	CKSSYB104K10
C	C 381	(A,116,88)	CKSSYB104K10	C 621	(A,152,90)	CCSSCH390J50
	C 383	(A,110,88)	CKSSYB104K10	C 624	(A,161,82) (A,B,C,F)	CKSRYB105K10
	C 384	(A,107,93)	CCSSCH220J50	C 625	(A,164,82) (A,B,C,F)	CKSRYB105K10
	C 385	(A,108,88)	CKSSYB104K10	C 626	(A,146,80) 10 uF	CCG1192
	C 386	(A,107,88)	CKSSYB104K10	C 630	(A,146,77) 1 uF	DCH1246
	C 387	(A,106,90)	CKSSYB104K10	C 631	(A,142,82)	CKSSYB102K50
	C 388	(A,98,89)	CCSRCH330J50	C 632	(A,152,107)	CKSRYB104K16
	C 389	(A,101,80)	CKSSYB104K10	C 635	(A,143,78) (C,D,E,F)	CCSSCH101J50
	C 390	(A,107,51)	CCSSCH100D50	C 636	(A,146,76) (A,B)	CKSSYB102K50
	C 391	(A,98,80)	CCSSCH220J50	C 637	(A,143,75) (A,B,C,F)	CKSSYB104K10
	C 392	(A,97,79)	CCSSCH220J50	C 639	(A,149,108)	CCSSCH471J50
D	C 393	(A,99,77)	CCSSCH220J50	C 701	(A,113,40)	CKSSYB103K16
	C 394	(A,101,75)	CKSSYB104K10	C 702	(A,127,30)	CKSSYB103K16
	C 395	(A,101,73)	CKSSYB103K16	C 704	(A,122,39)	CCSSCH100D50
	C 398	(A,130,95) 1 uF	DCH1246	C 705	(A,120,39)	CCSSCH100D50
	C 399	(A,121,99)	CKSRYB104K16	C 706	(A,118,40)	CCSSCH100D50
	C 400	(A,101,83)	CCSSCH100D50	C 709	(A,107,43)	CKSRYB104K16
	C 501	(A,94,89)	CKSSYB104K10	C 751	(A,22,123) 10 uF	CCG1192
	C 502	(A,95,88)	CKSSYB104K10	C 752	(A,17,121) 10 uF	CCG1192
	C 551	(A,103,117)	CKSRYB105K10	C 753	(A,17,125)	CCSSCH101J50
	C 553	(A,95,116)	CKSRYB105K10	C 754	(A,14,127)	CCSSCH101J50
E	C 554	(A,94,108) 1 uF	DCH1246	C 755	(A,30,126) 10 uF	DCH1201
	C 555	(A,96,116)	CKSRYB105K10	C 756	(A,24,125) 10 uF	CCG1192
	C 560	(A,109,113)	CKSRYB105K10	C 757	(A,26,130)	CCSSCH101J50
	C 561	(A,110,115)	CKSRYB105K10	C 758	(A,22,128)	CCSSCH101J50
	C 562	(A,106,117)	CKSRYB105K10	C 760	(A,38,131)	CKSSYB104K10
	C 563	(A,114,103) 10 uF	CCG1192	C 761	(A,9,132)	CKSSYB103K16
	C 564	(A,117,109)	XCEVW470M16	C 785	(A,40,129)	CKSRYB102K50
	C 565	(A,117,103)	CKSSYB104K10	C 786	(A,54,133)	CKSRYB102K50
	C 568	(A,97,108)	CKSSYB104K10	C 787	(A,54,137)	CKSRYB104K16
	C 569	(A,96,107)	CKSSYB104K10	C 788	(A,37,132)	CKSRYB104K16
	C 570	(A,95,104) 10 uF	CCG1192	C 801	(A,126,6)	CCSRCH102J50
F	C 572	(A,93,109) 1 uF	DCH1246	C 803	(A,91,18)	CKSRYB105K10
	C 573	(A,112,112) 1 uF	DCH1246	C 804	(A,127,14)	CKSRYB105K10
	C 574	(A,111,112) 1 uF(D,E)	DCH1246	C 806	(A,126,9)	CKSRYB104K16
	C 575	(A,95,101) 10 uF	CCG1192	C 807	(A,124,14)	CKSRYB105K10
				C 808	(A,110,13)	CKSRYB104K16
				C 809	(A,98,16)	CCSRCH221J50

1

2

3

4

5		6	
<u>Circuit Symbol and No.</u>		<u>Part No.</u>	
C 810	(A,98,13)	CCSRCH221J50	
C 811	(A,105,18)	CKSSYB104K10	
C 851	(A,72,129)	CKSRYB474K10	
C 853	(A,82,129)	CKSRYB474K10	
C 855	(A,74,129)	CKSRYB474K10	
C 857	(A,80,129)	CKSRYB474K10	
C 863	(A,86,130) 2.2 uF	CCG1205	
C 864	(A,140,121)	CKSRYB104K50	
C 868	(A,69,130) 10 uF/16 V	DCH1263	
C 901	(A,90,130)	CKSRYB105K10	
C 913	(A,108,127)	CKSRYB104K50	

B
Unit Number : QWM4118(A,B,D,E,F)
Unit Number : QWM4117(C)
Unit Name : Keyboard Unit

MISCELLANEOUS

IC 1801	(B,81,19) Mask UC IC	PDC205A	
IC 1951	(A,154,37) IR RC REC Module(A,B,D,E,F)	PNJ4833M	
Q 1841	(B,27,8) Bipolar TR	LSCR523UB	
Q 1842	(B,19,8) Bipolar TR	LSCR523UB	
Q 1843	(B,8,16) Bipolar TR	LSCR523UB	
Q 1847	(B,107,22) Bipolar TR	LSCR523UB	
Q 1848	(B,117,24) Bipolar TR	LSCR523UB	
Q 1849	(B,127,26) Bipolar TR	LSCR523UB	
D 1841	(A,3,17) LED	SMLVN6RGB2UK(B)	
D 1842	(A,38,17) LED	SMLVN6RGB2UK(B)	
D 1843	(A,160,23) LED	SMLVN6RGB2UK(B)	
D 1844	(A,145,20) LED	SMLVN6RGB2UK(B)	
D 1845	(A,45,20) LED	SMLVN6RGB2UK(B)	
X 1801	(B,66,20) Ceramic Resonator 5.00 MHz	CSS1547	
S 1821	(A,50,3) Push Switch	CSG1155	
S 1822	(A,9,39) Push Switch	CSG1155	
S 1823	(A,64,3) Push Switch	CSG1155	
S 1824	(A,6,6) Push Switch	CSG1155	
S 1825	(A,5,22) Push Switch	CSG1155	
S 1826	(A,38,27) Push Switch	CSG1155	
S 1827	(A,38,8) Push Switch	CSG1155	
S 1828	(A,73,3) Push Switch	CSG1155	
S 1829	(A,143,3) Push Switch	CSG1155	
S 1830	(A,120,3) Push Switch	CSG1155	
S 1831	(A,129,3) Push Switch	CSG1155	
S 1832	(A,97,3) Push Switch	CSG1155	
S 1833	(A,105,3) Push Switch	CSG1155	
S 1834	(A,82,3) Push Switch	CSG1155	
S 1835	(A,7,29) Push Switch	CSG1155	
S 1836	(A,21,17) Encoder (MULTI-CONTROL)	CSD1193	
V 1801	(A,51,30) Segment LCD	CAW2041	
CN1941	(B,107,7) Connector	CKS6451	
JA 1901	(A,153,23) Connector	CKS6443	
JA 1921	(A,154,8) Jack	KKN1090	

RESISTORS

R 1801	(B,61,20)	RS1/16SS103J	
R 1821	(B,33,25)	RS1/16SS273J	
R 1841	(B,32,7)	RS1/16SS222J	
R 1842	(B,32,5)	RS1/16SS102J	
R 1843	(B,23,7)	RS1/16SS222J	

7		8	
<u>Circuit Symbol and No.</u>		<u>Part No.</u>	
R 1844	(B,23,5)	RS1/16SS102J	
R 1845	(B,14,7)	RS1/16SS222J	
R 1846	(B,12,7)	RS1/16SS102J	
R 1847	(B,24,7)	RS1/16SS470J	
R 1849	(B,14,6)	RS1/16SS470J	
R 1851	(B,10,7)	RS1/16SS470J	
R 1865	(B,102,23)	RS1/16SS222J	
R 1866	(B,111,26)	RS1/16SS102J	
R 1867	(B,114,23)	RS1/16SS222J	
R 1868	(B,114,25)	RS1/16SS102J	
R 1869	(B,123,26)	RS1/16SS222J	
R 1870	(B,123,28)	RS1/16SS102J	
R 1871	(B,112,23)	RS1/16SS470J	
R 1873	(B,122,26)	RS1/16SS470J	
R 1875	(B,132,25)	RS1/16SS470J	
R 1884	(B,46,23)	RS1/10SR221J	
R 1887	(B,47,22)	RS1/16SS101J	
R 1888	(B,38,22)	RS1/16SS101J	
R 1921	(B,133,8)	RS1/10SR0R0J	
R 1922	(B,130,5)	RS1/10SR0R0J	
R 1923	(B,138,5)	RS1/10SR0R0J	
R 1941	(B,77,4)	RS1/10SR222J	
R 1942	(B,74,5)	RS1/10SR222J	
R 1952	(B,142,30) (C)	RS1/16SS473J	
R 1953	(B,141,24) (A,B,D,E,F)	RS1/10SR101J	

CAPACITORS

C 1801	(B,70,19) 4.7 uF	CCG1212	
C 1802	(B,70,21)	CKSSYB104K10	
C 1803	(B,75,9)	CKSSYB104K10	
C 1804	(B,76,9)	CKSSYB104K10	
C 1805	(B,77,9)	CKSSYB104K10	
C 1856	(B,48,25)	CKSRYB105K16	
C 1901	(B,160,31)	CKSRYB104K16	
C 1902	(B,138,13)	CKSRYB102K50	
C 1904	(B,137,26)	CKSRYB105K10	
C 1905	(B,46,20)	CKSRYB105K10	
C 1923	(B,136,8)	CCSRCH221J50	
C 1951	(B,142,27) 10 uF(A,B,D,E,F)	CCG1192	



Unit Number : CWX4269
Unit Name : CD Core Unit(S11.6VA)

MISCELLANEOUS

IC 201	(B,24,38) IC	PEQ094A	
IC 301	(A,37,12) IC	BD8223EFV	
Q 101	(B,12,54) Transistor	2SA1577	
Q 102	(B,16,55) Chip Digital Transistor	LTA123JUB	
X 201	(B,25,50) Ceramic Resonator 16.934 MHz	CSS1603	
S 901	(A,43,54) Spring Switch(HOME)	CSN1080	
S 903	(B,22,13) Spring Switch(DSCSNS)	CSN1081	
CN101	(A,17,58) Connector	CKS4808	
CN701	(A,26,30) Connector	CKS6146	

RESISTORS

R 101	(B,7,59)	RS1/10SR2R4J	
R 102	(B,8,59)	RS1/10SR2R4J	

1

Circuit Symbol and No.

R 103 (B,10,59)
R 108 (B,14,58)
R 109 (B,15,50)

A

R 214 (B,18,28)
R 215 (B,17,28)
R 216 (B,13,36)
R 217 (B,10,33)
R 218 (B,10,36)

■

R 229 (B,13,35)
R 232 (A,31,55)
R 237 (B,34,45)
R 240 (B,35,40)
R 245 (A,34,46)

B

R 254 (A,37,56)
R 260 (B,30,27)
R 264 (A,22,9)
R 281 (B,34,38)
R 282 (B,34,39)

■

R 291 (B,34,35)
R 294 (B,28,49)
R 303 (A,28,12)
R 304 (A,29,11)
R 305 (A,27,9)

C

R 306 (A,27,12)
R 307 (A,26,9)
R 308 (A,26,12)
R 309 (A,35,7)
R 310 (B,31,9)

■

R 311 (B,31,10)
R 312 (B,31,11)
R 313 (B,31,12)
R 701 (A,22,38)
R 702 (A,24,38)

R 706 (A,33,42)

D

CAPACITORS

C 104 (B,15,52)
C 110 (B,11,44)
C 111 (B,12,44)
C 203 (B,22,47)
C 205 (A,17,41)

■

C 209 (B,29,48)
C 210 (B,33,44)
C 211 (B,34,42)
C 212 (B,23,29)
C 213 (B,18,26)

E

C 214 (B,17,26)
C 215 (B,19,29)
C 216 (B,13,33)
C 217 (B,10,35)
C 218 (B,10,37)

■

C 219 (B,14,35)
C 220 (A,18,39)
C 221 (B,14,32)
C 222 (B,14,37)
C 223 (B,13,42)

F

C 224 (B,14,45)
C 225 (B,14,47)
C 228 (B,10,34)

2

Part No.

RS1/10SR2R7J
RS1/16SS105J
RS1/16SS152J

RS1/16SS103J
RS1/16SS393J
RS1/16SS102J
RS1/16SS562J
RS1/16SS472J

RS1/16SS471J
RS1/16SS0R0J
RS1/16SS221J
RS1/16SS473J
RS1/16SS104J

RS1/16SS104J
RS1/16SS103J
RS1/16SS102J
RS1/16SS560J
RS1/16SS560J

RS1/16SS560J
RS1/16SS471J
RS1/16SS123J
RS1/16SS123J
RS1/16SS102J

RS1/16SS472J
RS1/16SS102J
RS1/16SS472J
RS1/16SS473J
RS1/16SS472J

RS1/16SS472J
RS1/16SS472J
RS1/16SS472J
RS1/16SS101J
RS1/16SS101J

RS1/16SS221J

CKSQYB475K6R3
CKSSYB104K10
CKSSYB103K16
CKSSYB104K10
CKSRYB105K10

CKSRYB104K16
CKSSYB104K10
CKSSYB104K10
CKSSYB104K10
CKSSYB332K50

CKSSYB473K16
CKSSYB104K10
CKSSYB152K50
CCSSCH390J50
CCSSCH5R0C50

CKSSYB104K10
CKSSYB104K10
CKSSYB104K10
CKSSYB104K10
CCSSCH680J50

CCSSCH470J50
CKSSYB103K16
CCSSCH180J50

3

Circuit Symbol and No.

C 229 (B,9,41)
C 233 (B,33,46)

C 236 (B,8,41)
C 238 (A,26,45)
C 299 (A,26,43)
C 302 (B,29,12)
C 303 (B,30,12)

C 304 (B,28,12)
C 305 (B,27,12)
C 306 (A,32,7)
C 307 (A,42,19)
C 308 (A,32,16)

C 710 (A,34,43)

D**Unit Number : QWM4142****Unit Name : BT Unit****MISCELLANEOUS**

IC 21 (A,6,46) Regulator IC
IC 22 (A,19,45) Regulator IC
CN21 (A,32,25) B TO B Connector
CN23 (A,40,42) Connector

CKSSYB104K10
CKSSYB103K16

CKSSYB104K10
CKSRYB104K16
CKSSYB104K10
CKSSYB102K50
CKSSYB102K50

CKSSYB223K16
CKSSYB104K10
CKSSYB104K10
CKSRYB105K10
CKSRYB105K10

CKSSYB102K50

MM3479A18P
MM3411A33N
CKS6346
CKS3857

RESISTORS

R 28 (A,40,29)
R 29 (A,28,39)
R 30 (A,28,35)
R 38 (A,40,15)
R 39 (A,39,21)

R 40 (A,38,21)
R 41 (A,36,21)

RS1/16SS222J
RS1/16SS102J
RS1/16SS102J
RS1/16SS0R0J
RS1/16SS221J

RS1/16SS221J
RS1/16SS221J

CAPACITORS

C 23 (A,22,38)
C 24 (A,5,42)
C 26 (A,25,46) 4.7 uF
C 29 (A,16,44)
C 33 (A,8,52) 4.7 uF

C 34 (A,40,28)
C 36 (A,30,38)
C 38 (A,14,44) 4.7 uF
C 39 (A,4,40) 4.7 uF
C 40 (A,10,49)

XCEVW221M4
CKSRYB105K10
CCG1212
CKSRYB105K10
CCG1212

CKSRYB105K10
CKSRYB104K16
CCG1212
CCG1212
CKSRYB104K16

1

2

3

4