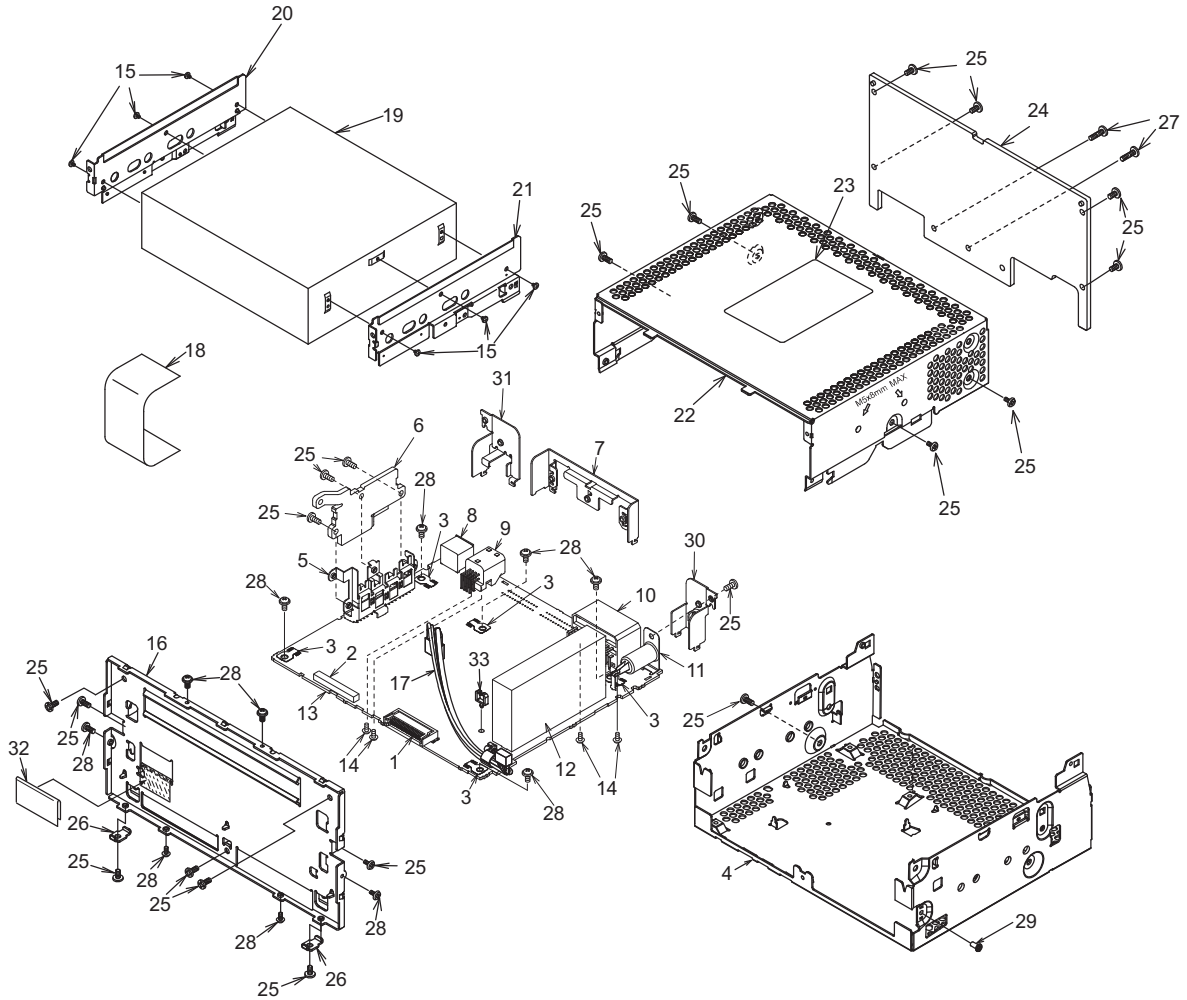


EXPLODED VIEW/PARTS LIST

Main section

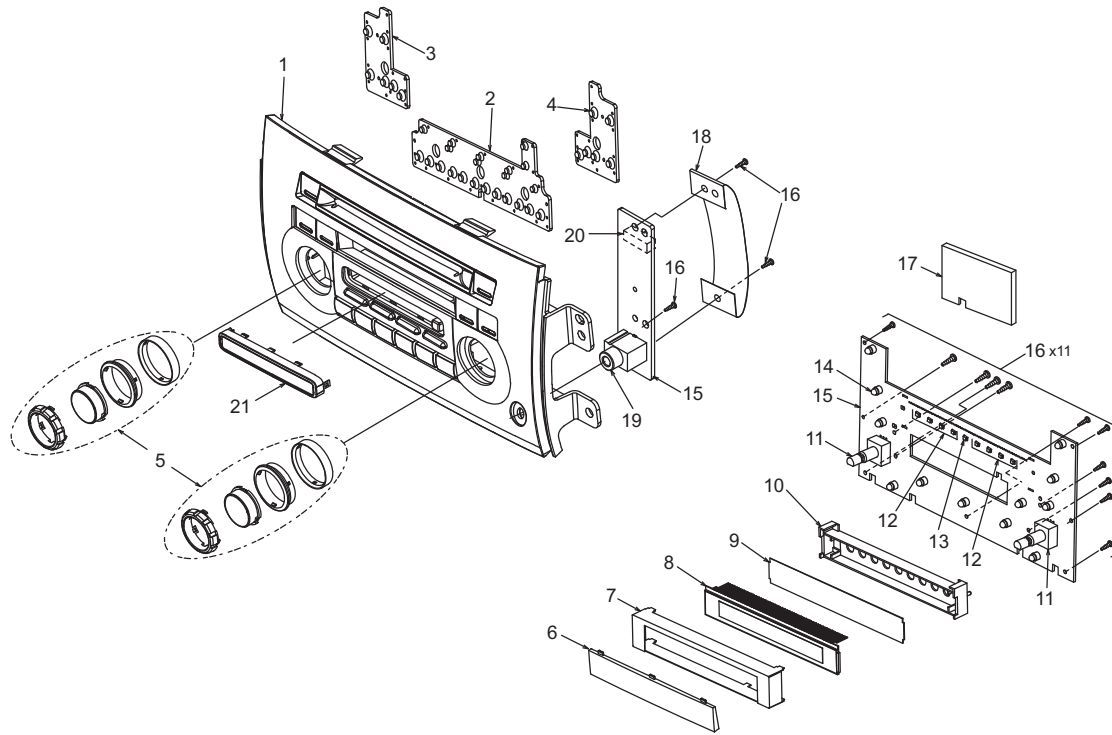


Clamping torque value of a screw is 0.4 +0.08/-0.08 Newton meter.

NO.	PART NO.	DESCRIPTION	Q'TY
1	076-3011-74	PLUG(24P)	1
2	074-1237-69	SOCKET (19P)	1
3	073-0762-90	TERMINAL	5
4	311-1986-00	LOWER CASE	1
5	331-4126-00	TR HOLDER	1
6	313-1966-00	SUB HEAT SINK	1
7	331-4548-00	IC HOLDER	1
8	074-1194-00	SOCKET (13P Ce-NET)	1
9	074-1302-08	SOCKET (8P)	1
10	074-4007-20	SOCKET (20P)	1
11	092-0702-50	ANT-RECEPT	1
12	941-0236-00	TUNER PACK	1
13	-----	Main PWB	1
14	778-3006-00	TAP-SCREW (3x6)	4
15	716-3552-00	IT SCREW (M2.3x2.5)	6
16	309-0819-11	ES PLATE	1
17	854-8264-50	EXTENSION-LEAD	1

NO.	PART NO.	DESCRIPTION	Q'TY
18	816-4055-50	FLAT WIRE	1
19	929-0420-80	CD-MECH-MODULE	1
20	331-4091-10	CD BRKT (L)	1
21	331-4092-10	CD BRKT (R)	1
22	310-1826-10	UPPER CASE	1
23	276-0610-01 276-0610-03	SET PLATE (PS-3231K-A) SET PLATE (PS-3132K-A)	1
24	313-1962-00	HEAT SINK	1
25	714-2606-8B	MACHINE SCREW (M2.6x6)	20
26	331-4193-20	SU-PLATE	2
27	714-2610-89	MACHINE SCREW (M2.6x10)	2
28	716-0878-50	IT SCREW (M2.6x5)	11
29	780-2604-51	SP-SCREW (M2.6x4)	1
30	331-4549-00	ANT HOLDER	1
31	331-4547-00	SOCKET HOLDER	1
32	347-8748-00	PROTECTOR	1
33	335-3701-00	MINI-SADDLE	1

Escutcheon section



NO.	PART NO.	DESCRIPTION	Q'TY
1	940-8464-10	ESCUTCHEON ASSY	1
2	345-5589-00	RUBBER SW (CENTER)	1
3	345-5590-00	RUBBER SW (LEFT)	1
4	345-5591-00	RUBBER SW (RIGHT)	1
5	947-0602-00	KNOB ASSY	2
6	371-5854-00	DIAL COVER	1
7	331-4264-00	LCD COVER	1
8	379-1362-51	INDICATOR (LCD)	1
9	335-7929-00	COLOR FILTER	1
10	335-7705-00	LCD HOLDER	1
11	016-0018-17	VR W/SHAFT	2

NO.	PART NO.	DESCRIPTION	Q'TY
12	001-7094-91	DIODE (VFR1112H RED)	8
13	001-7087-90	DIODE (RBR1112H RED)	1
14	017-0508-00	PL LAMP (14V 40mA RED)	11
15	-----	Switch PWB	1
16	716-0778-51	SP-SCREW (2x6)	14
17	345-6272-00	CUSHION RUBBER	1
18	345-6360-00	PROTECTOR	1
19	075-9024-00	AUX JACK	1
20	076-6020-00	PLUG(5P)	1
21	335-7356-20	MD-CVR	1

ELECTRICAL PARTS LIST

Main PWB section (B1)

REF No.	PART No.	DESCRIPTION	REF No.	PART No.	DESCRIPTION	REF No.	PART No.	DESCRIPTION
ANT101	092-0702-50	ANT-RECEPT	C169	168-1522-55	1500pF K	C311	188-2253-68	50V 2.2uF
BL101	941-0236-00	AM/FM TUNER	C212	188-4763-38	16V 47uF	C312	188-2253-68	50V 2.2uF
C108	166-8201-50	82pF CH	C222	168-1042-78	16V 0.1uF K	C313	188-2253-68	50V 2.2uF
C122	166-2211-50	220pF CH	C241	168-2232-55	0.022uF K	C314	188-2253-68	50V 2.2uF
C123	043-0554-90	25V 10uF	C243	188-4763-38	16V 47uF	C318	168-1522-55	1500pF K
C126	163-1063-35	16V 10uF	C244	168-1042-78	16V 0.1uF K	C319	168-1522-55	1500pF K
C127	166-1007-50	10pF CH	C245	168-1042-78	16V 0.1uF K	C334	166-4711-50	470pF CH
C129	168-2232-55	0.022uF K	C274	189-2273-29	10V 220uF	C335	166-4711-50	470pF CH
C132	163-1063-35	16V 10uF	C276	043-0328-90	0.1uF	C336	166-4711-50	470pF CH
C133	168-2232-55	0.022uF K	C301	178-1052-78	1uF	C337	166-4711-50	470pF CH
C138	168-1052-78	16V 1uF K	C302	178-1052-78	1uF	C346	188-1073-28	10V 100uF
C142	168-4732-78	0.047uF K	C305	178-1052-78	1uF	C352	168-1042-78	16V 0.1uF K
C143	168-4732-78	0.047uF K	C306	178-1052-78	1uF	C353	042-1562-15	10V 220uF
C144	043-0548-50	10V 2.2uF	C307	178-1052-78	1uF	C354	166-2201-50	22pF CH
C151	168-2232-55	0.022uF K	C308	178-1052-78	1uF	C355	166-2201-50	22pF CH
C153	168-2232-55	0.022uF K	C309	168-8232-78	0.082uF K	C356	166-1007-50	10pF CH
C160	168-1042-78	16V 0.1uF K	C310	168-8232-78	0.082uF K	C357	166-1007-50	10pF CH

Note) Several different parts of the same reference number are alternative parts.
One of those parts is used in the set.

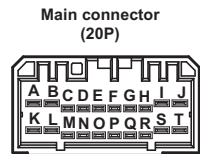
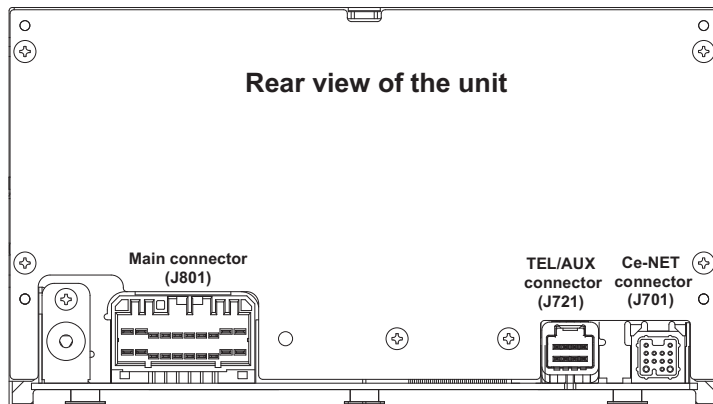
REF No.	PART No.	DESCRIPTION	REF No.	PART No.	DESCRIPTION	REF No.	PART No.	DESCRIPTION
C358	188-1063-38	16V 10uF	CCT505	050-0140-54	1/32W 1k ohm x4J	Q504	192-4155-51	2SC4155A-T111-1S
C359	188-1063-38	16V 10uF	D106	001-0580-90	1SS352	Q504	193-1819-50	2SD1819A-R,S
C360	188-1063-38	16V 10uF	D391	001-0580-90	1SS352	Q505	192-4116-51	2SC4116 G,L
C361	188-1063-38	16V 10uF	D505	001-0580-90	1SS352	Q505	192-4155-51	2SC4155A-T111-1S
C362	166-2201-50	22pF CH	D506	001-2403-90	M1F60	Q505	193-1819-50	2SD1819A-R,S
C363	163-1063-35	16V 10uF	D507	001-4301-25	HZU4.7B1	Q506	193-2118-50	2SD2118F5 R,S
C364	163-1063-35	16V 10uF	D508	001-0466-90	S5688B	Q701	192-4116-51	2SC4116 G,L
C365	168-1042-78	16V 0.1uF K	D509	001-0504-36	HZS7 A1L	Q701	192-4155-51	2SC4155A-T111-1S
C367	166-1007-50	10pF CH	D701	001-0424-31	MA4180	Q701	193-1819-50	2SD1819A-R,S
C368	163-1063-35	16V 10uF	D702	001-0424-31	MA4180	Q711	190-2071-00	2SA2071
C369	166-2201-50	22pF CH	D703	001-0424-31	MA4180	Q712	192-4116-51	2SC4116 G,L
C370	163-1063-35	16V 10uF	D711	001-0466-90	S5688B	Q712	192-4155-51	2SC4155A-T111-1S
C371	166-1007-50	10pF CH	D712	001-0466-90	S5688B	Q712	193-1819-50	2SD1819A-R,S
C391	168-1042-78	16V 0.1uF K	D731	001-0466-90	S5688B	Q761	192-5810-00	2SC5810 TE12L
C392	168-1042-78	16V 0.1uF K	D761	001-0504-39	HZS7 B2L	Q762	125-0021-91	DTA114EUA
C393	168-1042-78	16V 0.1uF K	D771	001-0347-43	MA4082L	Q762	125-0025-92	RN2302
C394	168-1042-78	16V 0.1uF K	D772	001-0347-30	MA4051H	Q762	125-0034-92	RT1P141M
C395	168-1032-55	0.01uF K	D801	001-0592-00	RM4Z	Q763	125-2027-91	DTC114EUA
C396	163-1053-65	50V 1uF	D851	001-4301-68	HZU18B1	Q763	125-2032-92	RN1302
C397	042-1624-00	16V 4700uF	IC104	051-3519-90	NJU7771F05-TE2	Q763	125-2041-92	RT1N141M
C398	163-1063-35	16V 10uF	IC241	051-3367-90	NJU7780U1-33-TE2	Q771	192-5886-00	2SC5886
C399	163-1053-65	50V 1uF	IC272	051-3334-00	NJM2396F09	Q773	192-4116-51	2SC4116 G,L
C400	166-2201-50	22pF CH	IC351	051-3034-90	NJM4558V	Q773	192-4155-51	2SC4155A-T111-1S
C401	166-3911-50	390pF CH	IC352	051-3034-90	NJM4558V	Q773	193-1819-50	2SD1819A-R,S
C402	043-0570-90	16V 2.2uF K	IC391	051-2040-00	TA8276H	Q775	192-4116-51	2SC4116 G,L
C403	168-5632-78	16V 0.056uF K	IC401	051-5046-90	CL7639V20	Q775	192-4155-51	2SC4155A-T111-1S
C404	043-0570-90	16V 2.2uF K	IC501	052-3227-31	M30622MGP-E82GP	Q775	193-1819-50	2SD1819A-R,S
C405	188-1063-38	16V 10uF	IC502	051-0869-58	NJM2103M	Q776	125-0021-91	DTA114EUA
C406	188-1073-28	10V 100uF	IC503	051-9402-68	BR93L56F-W	Q776	125-0025-92	RN2302
C407	168-1042-78	16V 0.1uF K	IC504	051-6600-58	HA12187FP	Q776	125-0034-92	RT1P141M
C408	166-3911-50	390pF CH	IC741	051-3369-00	NJM2388F84	Q777	125-2027-91	DTC114EUA
C409	043-0570-90	16V 2.2uF K	J241	074-1237-69	19P	Q777	125-2032-92	RN1302
C410	168-5632-78	16V 0.056uF K	J701	074-1194-00	13P CE-NET	Q777	125-2041-92	RT1N141M
C411	043-0570-90	16V 2.2uF K	J721	074-1302-08	8P	Q821	190-2071-00	2SA2071
C412	168-1042-78	16V 0.1uF K	J801	074-4007-20	20P	Q822	192-4116-51	2SC4116 G,L
C417	178-4742-78	0.47uF	L104	010-2003-04	30uH	Q822	192-4155-51	2SC4155A-T111-1S
C418	168-4722-55	4700pF K	L135	010-6009-76	22uH J	Q822	193-1819-50	2SD1819A-R,S
C419	178-4742-78	0.47uF	L501	010-6009-76	22uH J	R107	119-5131-15	1/10W 51k ohm
C420	168-4722-55	4700pF K	L502	010-6009-76	22uH J	R121	119-4731-15	1/10W 47k ohm
C421	178-4742-78	0.47uF	L801	010-8026-00	210uH	R123	119-0000-05	1/10W 0 ohm JW
C422	168-4722-55	4700pF K	P501	076-3011-74	24P	R125	119-0000-05	1/10W 0 ohm JW
C423	178-4742-78	0.47uF	Q106	125-2026-91	UNR5211G	R126	119-4731-15	1/10W 47k ohm
C424	168-4722-55	4700pF K	Q107	125-2026-91	UNR5211G	R127	119-4731-15	1/10W 47k ohm
C501	168-1042-78	16V 0.1uF K	Q241	125-0021-91	DTA114EUA	R128	119-1011-15	1/10W 100 ohm
C502	188-4763-18	6.3V 47uF	Q241	125-0025-92	RN2302	R130	119-0000-05	1/10W 0 ohm JW
C503	168-1032-55	0.01uF K	Q241	125-0034-92	RT1P141M	R131	119-0000-05	1/10W 0 ohm JW
C504	168-1032-55	0.01uF K	Q242	125-2027-91	DTC114EUA	R132	119-1011-15	1/10W 100 ohm
C505	168-1032-55	0.01uF K	Q242	125-2032-92	RN1302	R134	119-0000-05	1/10W 0 ohm JW
C506	168-1042-78	16V 0.1uF K	Q242	125-2041-92	RT1N141M	R139	119-5621-15	1/10W 5.6k ohm
C507	188-1053-68	50V 1uF	Q243	193-0601-00	2SD601A	R140	119-5621-15	1/10W 5.6k ohm
C509	168-1022-55	1000pF K	Q244	192-4116-51	2SC4116 G,L	R242	119-4731-15	1/10W 47k ohm
C510	168-1022-55	1000pF K	Q244	192-4155-51	2SC4155A-T111-1S	R243	119-1021-15	1/10W 1k ohm
C511	168-1042-78	16V 0.1uF K	Q244	193-1819-50	2SD1819A-G,S	R245	119-3331-15	1/10W 33k ohm
C512	168-1032-55	0.01uF K	Q245	125-2027-91	DTC114EUA	R246	119-4731-15	1/10W 47k ohm
C513	189-1073-29	10V 100uF	Q245	125-2032-92	RN1302	R248	119-1041-15	1/10W 100k ohm
C514	168-1042-78	16V 0.1uF K	Q245	125-2041-92	RT1N141M	R250	119-3331-15	1/10W 33k ohm
C515	166-1011-50	100pF CH	Q246	125-0021-91	DTA114EUA	R253	119-4731-15	1/10W 47k ohm
C516	188-1063-38	16V 10uF	Q246	125-0025-92	RN2302	R255	119-3331-15	1/10W 33k ohm
C517	042-0559-00	5.5V 0.1F	Q246	125-0034-92	RT1P141M	R256	119-0000-05	1/10W 0 ohm JW
C722	168-1042-78	16V 0.1uF K	Q247	125-2027-91	DTC114EUA	R258	119-4731-15	1/10W 47k ohm
C731	172-1041-15	0.1uF	Q247	125-2032-92	RN1302	R271	119-4731-15	1/10W 47k ohm
C732	188-1053-68	50V 1uF	Q247	125-2041-92	RT1N141M	R276	119-0000-05	1/10W 0 ohm JW
C741	043-0328-90	0.1uF	Q248	198-3018-00	2SK3018	R301	119-1021-15	1/10W 1k ohm
C744	188-1073-28	10V 100uF	Q249	198-3018-00	2SK3018	R302	119-1021-15	1/10W 1k ohm
C761	188-1063-38	16V 10uF	Q391	125-2027-93	DTC144EUA	R305	119-1021-15	1/10W 1k ohm
C762	188-1063-38	16V 10uF	Q391	125-2032-92	RN1302	R306	119-1021-15	1/10W 1k ohm
C771	188-1073-28	10V 100uF	Q391	125-2041-92	RT1N141M	R307	119-1021-15	1/10W 1k ohm
C772	188-1063-38	16V 10uF	Q502	190-2071-00	2SA2071	R308	119-1021-15	1/10W 1k ohm
C811	172-1041-15	0.1uF	Q503	192-4116-51	2SC4116 G,L	R309	119-1021-15	1/10W 1k ohm
C821	188-1063-38	16V 10uF	Q503	192-4155-51	2SC4155A-T111-1S	R310	119-1021-15	1/10W 1k ohm
CCT501	050-0140-54	1/32W 1k ohm x4J	Q503	193-1819-50	2SD1819A-R,S	R311	119-5631-15	1/10W 56k ohm
CCT504	050-0140-54	1/32W 1k ohm x4J	Q504	192-4116-51	2SC4116 G,L	R312	119-5631-15	1/10W 56k ohm

REF No.	PART No.	DESCRIPTION	REF No.	PART No.	DESCRIPTION	REF No.	PART No.	DESCRIPTION
R313	119-5631-15	1/10W 56k ohm	R517	116-1001-15	1/4W 10 ohm	R702	116-6801-15	1/4W 68 ohm
R314	119-5631-15	1/10W 56k ohm	R520	119-4731-15	1/10W 47k ohm	R703	119-2231-15	1/10W 22k ohm
R323	119-0000-05	1/10W 0 ohm JW	R521	119-4731-15	1/10W 47k ohm	R704	119-2231-15	1/10W 22k ohm
R324	119-0000-05	1/10W 0 ohm JW	R522	119-4731-15	1/10W 47k ohm	R711	116-2221-15	1/4W 2.2k ohm
R325	119-0000-05	1/10W 0 ohm JW	R525	119-0000-05	1/10W 0 ohm JW	R712	117-1031-15	1/8W 10k ohm
R326	119-0000-05	1/10W 0 ohm JW	R527	119-4721-15	1/10W 4.7k ohm	R713	116-2221-15	1/4W 2.2k ohm
R351	119-8211-15	1/10W 820 ohm	R528	032-0140-66	1/10W 220 ohm F	R714	119-1031-15	1/10W 10k ohm
R352	119-1021-15	1/10W 1k ohm	R529	119-1031-15	1/10W 10k ohm	R715	119-3321-15	1/10W 3.3k ohm
R353	032-0140-50	1/10W 10k ohm F	R531	119-1031-15	1/10W 10k ohm	R726	119-1021-15	1/10W 1k ohm
R354	032-0140-50	1/10W 10k ohm F	R532	119-4721-15	1/10W 4.7k ohm	R731	116-5621-15	1/4W 5.6k ohm
R355	032-0140-50	1/10W 10k ohm F	R533	119-4721-15	1/10W 4.7k ohm	R732	116-4721-15	1/4W 4.7k ohm
R356	032-0140-50	1/10W 10k ohm F	R534	119-1021-15	1/10W 1k ohm	R761	032-0092-56	1/8W 22k ohm F
R357	032-0140-50	1/10W 10k ohm F	R535	119-1031-15	1/10W 10k ohm	R762	032-0092-31	1/8W 150k ohm F
R358	032-0140-50	1/10W 10k ohm F	R536	119-2221-15	1/10W 2.2k ohm	R763	032-0092-51	1/8W 1k ohm F
R359	032-0140-50	1/10W 10k ohm F	R537	119-1031-15	1/10W 10k ohm	R764	119-1221-15	1/10W 1.2k ohm
R360	032-0140-50	1/10W 10k ohm F	R538	119-1031-15	1/10W 10k ohm	R771	119-0000-05	1/10W 0 ohm JW
R362	032-0140-50	1/10W 10k ohm F	R539	119-1031-15	1/10W 10k ohm	R772	119-2231-15	1/10W 22k ohm
R363	032-0140-50	1/10W 10k ohm F	R540	119-4731-15	1/10W 47k ohm	R773	116-1021-15	1/4W 1k ohm
R364	032-0140-50	1/10W 10k ohm F	R541	119-5621-15	1/10W 5.6k ohm	R774	119-2231-15	1/10W 22k ohm
R365	032-0140-50	1/10W 10k ohm F	R542	119-2231-15	1/10W 22k ohm	R779	116-1821-15	1/4W 1.8k ohm
R368	032-0140-50	1/10W 10k ohm F	R543	119-1031-15	1/10W 10k ohm	R780	117-1821-15	1/8W 1.8k ohm
R370	032-0140-50	1/10W 10k ohm F	R544	119-4731-15	1/10W 47k ohm	R781	119-0000-05	1/10W 0 ohm JW
R371	032-0140-50	1/10W 10k ohm F	R545	119-6831-15	1/10W 68k ohm	R793	119-0000-05	1/10W 0 ohm JW
R372	032-0140-50	1/10W 10k ohm F	R546	119-1021-15	1/10W 1k ohm	R801	119-0000-05	1/10W 0 ohm JW
R391	119-5631-15	1/10W 56k ohm	R547	119-1021-15	1/10W 1k ohm	R802	119-0000-05	1/10W 0 ohm JW
R392	119-1221-15	1/10W 1.2k ohm	R548	119-1031-15	1/10W 10k ohm	R821	116-1031-15	1/4W 10k ohm
R393	119-2221-15	1/10W 2.2k ohm	R549	119-3341-15	1/10W 330k ohm	R822	119-3321-15	1/10W 3.3k ohm
R394	119-2221-15	1/10W 2.2k ohm	R550	032-0140-22	1/10W 68k ohm F	R823	119-1031-15	1/10W 10k ohm
R395	119-2221-15	1/10W 2.2k ohm	R551	032-0140-00	1/10W 56k ohm F	R824	116-2221-15	1/4W 2.2k ohm
R396	119-2221-15	1/10W 2.2k ohm	R552	117-6821-15	1/8W 6.8k ohm	R825	116-2221-15	1/4W 2.2k ohm
R397	119-1031-15	1/10W 10k ohm	R553	119-4731-15	1/10W 47k ohm	R826	119-8221-15	1/10W 8.2k ohm
R400	119-1031-15	1/10W 10k ohm	R554	119-4731-15	1/10W 47k ohm	R901	119-0000-05	1/10W 0 ohm JW
R401	119-2231-15	1/10W 22k ohm	R555	119-5621-15	1/10W 5.6k ohm	R902	119-0000-05	1/10W 0 ohm JW
R402	119-2021-15	1/10W 2k ohm	R556	119-1021-15	1/10W 1k ohm			(PS-3231K-A ONLY)
R403	119-2231-15	1/10W 22k ohm	R557	119-4731-15	1/10W 47k ohm	R906	119-0000-05	1/10W 0 ohm JW
R404	119-2021-15	1/10W 2k ohm	R558	119-1031-15	1/10W 10k ohm			(PS-3232K-A ONLY)
R405	119-0000-05	1/10W 0 ohm JW	R568	119-4731-15	1/10W 47k ohm	SUP101	060-0122-20	DSP-141N-S00B
R502	119-4721-15	1/10W 4.7k ohm	R569	119-4731-15	1/10W 47k ohm	TH711	002-0318-21	THERMISTOR
R503	119-4721-15	1/10W 4.7k ohm	R572	119-4731-15	1/10W 47k ohm	TM101	073-0762-90	TERMINAL
R504	119-4721-15	1/10W 4.7k ohm	R573	119-4731-15	1/10W 47k ohm	TM501	073-0762-90	TERMINAL
R510	119-4721-15	1/10W 4.7k ohm			(PS-3232K-A ONLY)	TM502	073-0762-90	TERMINAL
R511	119-4721-15	1/10W 4.7k ohm	R574	119-4731-15	1/10W 47k ohm	TM801	073-0762-90	TERMINAL
R512	119-4721-15	1/10W 4.7k ohm			(PS-3231K-A ONLY)	TM802	073-0762-90	TERMINAL
R513	119-4721-15	1/10W 4.7k ohm	R575	119-4731-15	1/10W 47k ohm	X501	060-1533-90	CSTCE10M0G52-RO
R514	119-1021-15	1/10W 1k ohm	R578	119-4721-15	1/10W 4.7k ohm	PWB	039-3429-00	PWB(WITHOUT COMPONENT)
R515	119-1041-15	1/10W 100k ohm	R579	119-4721-15	1/10W 4.7k ohm			
R516	119-1041-15	1/10W 100k ohm	R701	116-1211-15	1/4W 120 ohm			

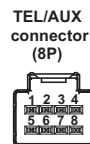
Switch PWB section (B2)

REF No.	PART No.	DESCRIPTION	REF No.	PART No.	DESCRIPTION	REF No.	PART No.	DESCRIPTION
C1	168-1042-78	16V 0.1uF K	P1	076-6020-05	PLUG (5P)	R113	119-8211-15	1/10W 820 ohm
C100	168-1042-78	16V 0.1uF K	PL100	017-0508-00	14V 40mA (RED)	R114	119-7511-15	1/10W 750 ohm
C101	168-1042-78	16V 0.1uF K	PL101	017-0508-00	14V 40mA (RED)	R116	119-0000-05	1/10W 0 ohm JW
C102	168-1042-78	16V 0.1uF K	PL102	017-0508-00	14V 40mA (RED)	R117	119-0000-05	1/10W 0 ohm JW
C103	168-1042-78	16V 0.1uF K	PL104	017-0508-00	14V 40mA (RED)	R121	119-4341-15	1/10W 430k ohm
C104	168-1042-78	16V 0.1uF K	PL105	017-0508-00	14V 40mA (RED)	R122	119-0000-05	1/10W 0 ohm JW
C105	178-1052-78	1uF	PL106	017-0508-00	14V 40mA (RED)	R123	119-0000-05	1/10W 0 ohm JW
D100	001-7094-91	VFR1112H-TR	PL107	017-0508-00	14V 40mA (RED)	R125	119-0000-05	1/10W 0 ohm JW
D101	001-7094-91	VFR1112H-TR	PL108	017-0508-00	14V 40mA (RED)	R126	119-0000-05	1/10W 0 ohm JW
D102	001-7094-91	VFR1112H-TR	PL109	017-0508-00	14V 40mA (RED)	R128	119-1021-15	1/10W 1k ohm
D103	001-7094-91	VFR1112H-TR	PL110	017-0508-00	14V 40mA (RED)	R129	119-1021-15	1/10W 1k ohm
D104	001-7087-90	RBR1112H C,D,E RED	PL111	017-0508-00	14V 40mA (RED)	R131	119-0000-05	1/10W 0 ohm JW
D105	001-7094-91	VFR1112H-TR	R1	119-0000-05	1/10W 0 ohm JW	R132	119-0000-05	1/10W 0 ohm JW
D106	001-7094-91	VFR1112H-TR	R100	119-5611-15	1/10W 560 ohm	R140	119-0000-05	1/10W 0 ohm JW
D107	001-7094-91	VFR1112H-TR	R101	119-4711-15	1/10W 470 ohm	R200	119-1841-15	1/10W 180k ohm
D108	001-7094-91	VFR1112H-TR	R102	119-4711-15	1/10W 470 ohm	R201	119-1841-15	1/10W 180k ohm
D113	001-0580-90	1SS352	R103	119-5611-15	1/10W 560 ohm	R202	119-1841-15	1/10W 180k ohm
D114	001-0580-90	1SS352	R104	119-4711-15	1/10W 470 ohm	R203	119-1841-15	1/10W 180k ohm
D115	001-0580-90	1SS352	R105	119-4711-15	1/10W 470 ohm	TH100	002-0306-90	SC20-3J153
D116	001-0580-90	1SS352	R106	119-5611-15	1/10W 560 ohm	TM100	073-0778-90	TERMINAL
IC100	051-6084-00	NJU6625FG1-03	R107	119-4711-15	1/10W 470 ohm	VR100	016-0018-17	ROTALY ENCODER
J1	075-9024-00	MINI-JACK	R108	119-4711-15	1/10W 470 ohm	VR101	016-0018-17	ROTALY ENCODER
J100	074-3013-74	24P	R109	119-5611-15	1/10W 560 ohm	PWB	039-3433-00	PWB(WITHOUT COMPONENT)
L100	010-3406-66	22uH J	R110	119-4711-15	1/10W 470 ohm			
LCD100	379-1362-50	INDICATOR (LCD)	R111	119-4711-15	1/10W 470 ohm			
			R112	119-8211-15	1/10W 820 ohm			

CONNECTION



No.	CONNECTIONS	No.	CONNECTIONS
A	A-ANT	K	SR-G
B	ACC	L	SR-1
C	N.C	M	SPEED
D	N.C	N	N.C
E	SP REAR-Rch (+)	O	SP REAR-Rch (-)
F	SP REAR-Lch (+)	P	SP REAR-Lch (-)
G	SP FRONT-Rch (+)	Q	SP FRONT-Rch (-)
H	SP FRONT-Lch (+)	R	SP FRONT-Lch (-)
I	ILL +	S	N.C
J	BACK UP	T	GND



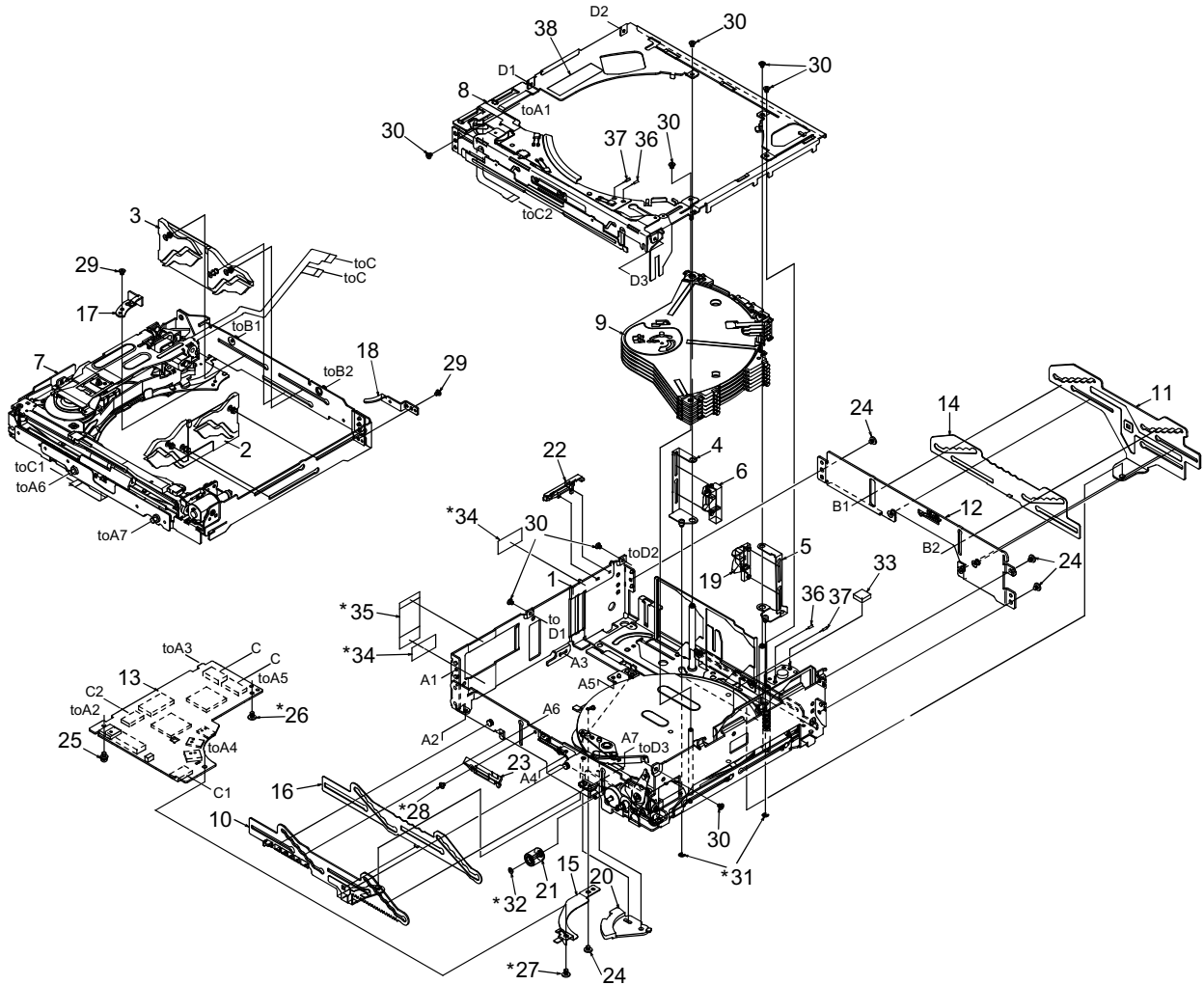
No.	CONNECTIONS
1	ACC
2	N.C
3	GND
4	TEL/AUX2-Lch
5	N.C
6	TEL/AUX2-ON
7	S-GND
8	TEL/AUX2-Rch



No.	CONNECTIONS
1	GND
2	BACK UP
3	Lch (+)
4	N.C
5	N.C
6	BUS (+)
7	Rch (+)
8	Rch (-)
9	SYS-ACC
10	BUS (-)
11	Lch (-)
12	ILL (+)
13	N.C

EXPLODED VIEW/PARTS LIST

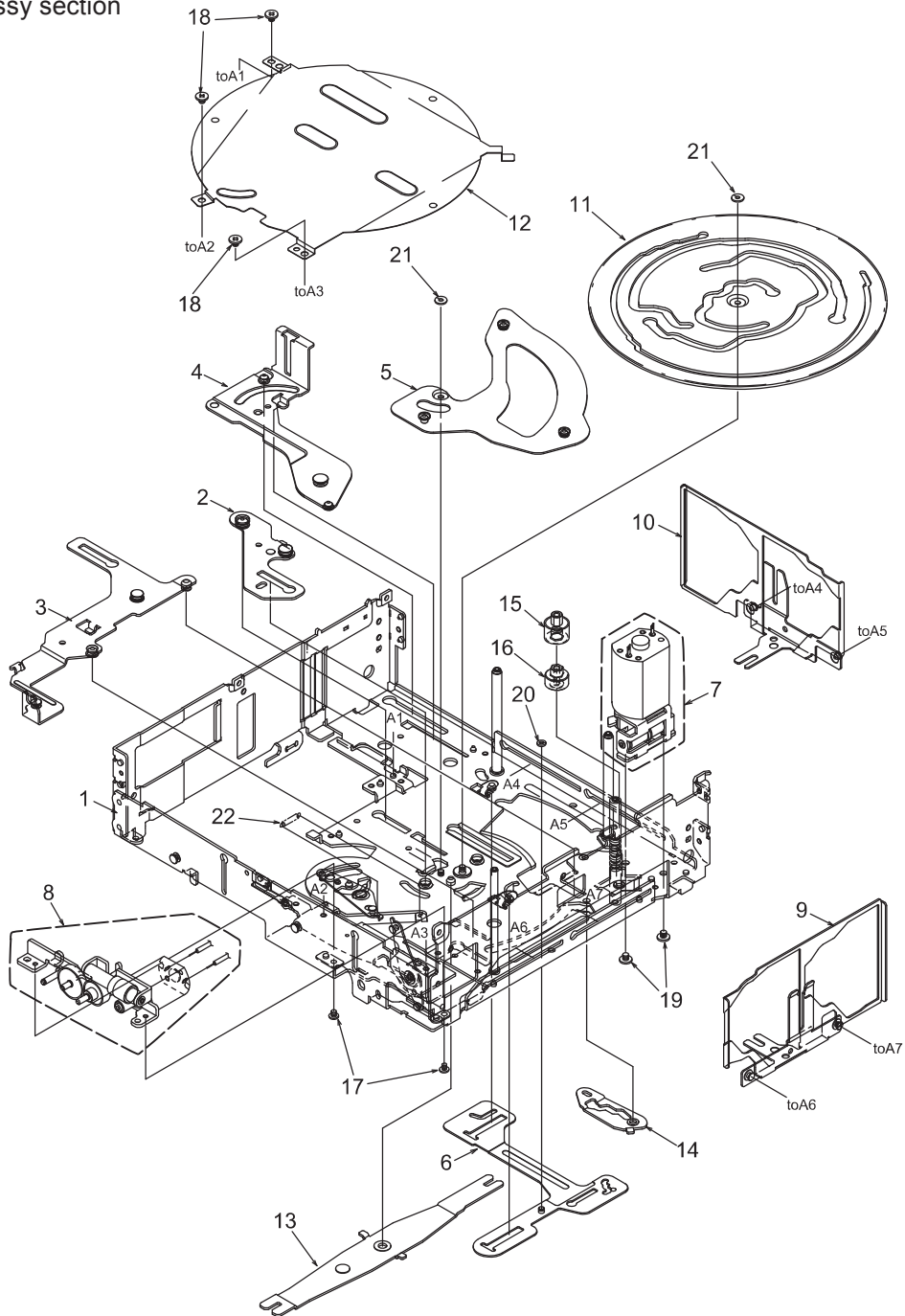
Main section



* Do not reuse the following parts.
(No.26,27,28,31,32,34,35)

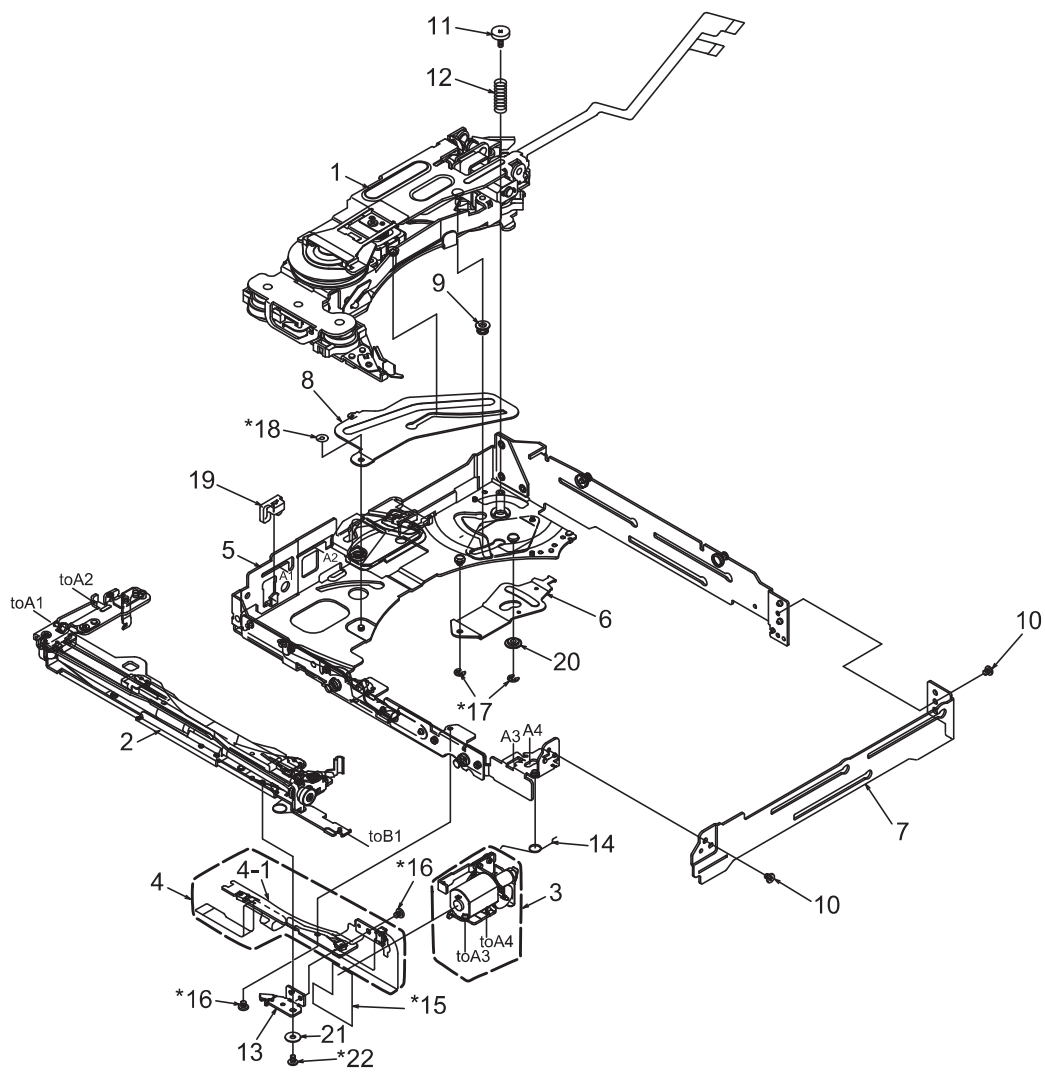
NO.	PART NO.	DESCRIPTION	Q'TY	NO.	PART NO.	DESCRIPTION	Q'TY
1	-----	LOWER UNIT ASSY	1	20	621-1812-20	SW LINK	1
2	HBS-617-100	KUSABI-ASSY-S	1	21	621-1765-20	UD-GEAR-D	1
3	HBS-618-100	KUSABI-ASSY-R	1	22	621-1715-20	FPC-STOPPER	1
4	966-1846-20	DS-SP-ASSY L	1	23	621-1736-20	UD-GEAR-B	1
5	966-1847-21	DS-SP ASSY R	1	24	716-1850-01	SCREW(M2.0x2)	4
6	966-0667-21	DISC STP-ASSY L	1	25	716-3598-00	SCREW(M2.0x4)	1
7	966-1844-21	DRIVE-CH UNIT	1	26	716-3599-00	SCREW(M2.0x2 sealock)	1
8	966-1840-22	UPPER UNIT ASSY	1	27	716-3600-00	SCREW(M2.0x3 sealock)	1
9	HBS-602-100	DISCHOLDER UNIT	1	28	716-3601-00	SCREW(M1.7x2 sealock)	1
10	966-1771-21	SLIDE-P-ASSY	1	29	716-3450-00	SCREW(M1.7x2.0)	2
11	966-1814-21	SLIDE-P-ASSY-R	1	30	716-3451-01	SCREW(M1.7x2.5)	8
12	966-1874-20	REAR-P-ASSY R	1	31	744-0045-01	C-RING	2
13	HBS-631-100	CD PWB ASSY	1	32	746-0761-00	WASHER	1
14	620-1662-21	GAP PLATE R	1	33	345-5824-00	RUBBER PART	1
15	620-1640-20	SW-H-PLATE	1	34	347-8230-00	PROTECT SHEET	2
16	620-1778-21	GAP PLATE F	1	35	347-8219-00	FPC-SHEET N	1
17	620-1685-21	DS-PLATE L	1	36	800-4921-60	VINYL-COAT-WIRE(BLAK)	1
18	620-1686-20	DS-PLATE R	1	37	802-4921-60	VINYL-COAT-WIRE(RED)	1
19	621-1815-20	DISC STOPPER R	1	38	293-8575-00	MECH LABEL	1

Lower unit assy section



NO.	PART NO.	DESCRIPTION	Q'TY	NO.	PART NO.	DESCRIPTION	Q'TY
1	966-1834-24	LOWER-C-ASSY	1	12	620-1624-24	GEAR COVER	1
2	966-0658-22	DH-SP-ASSY	1	13	620-1848-21	UD LINK	1
3	966-1836-20	TATSU-P-ASSY	1	14	620-1847-91	DS-SHIFT LINK	1
4	966-1832-20	D-SHT PL-B-ASSY	1	15	621-1811-21	M-GEAR B	1
5	966-0659-22	DH-SP-ASSY B	1	16	621-0733-20	M-GEAR C	1
6	966-1835-92	DS-SP-ASSY	1	17	716-3451-01	SCREW(M1.7x2.5)	2
7	HBS-622-100	M-MTR SUB ASSY	1	18	716-1850-01	SCREW(M2.0x2.0)	3
8	HBS-616-100	UD-MOTOR-ASSY	1	19	716-1851-03	SCREW(M2.0x3.0)	2
9	966-1872-20	INITIAL ASSY S	1	20	746-0870-00	WASHER	1
10	966-1873-20	INITIAL ASSY R	1	21	746-0768-00	WASHER	2
11	620-1623-24	CAM GEAR	1	22	750-6756-21	SW-L-SPRING	1

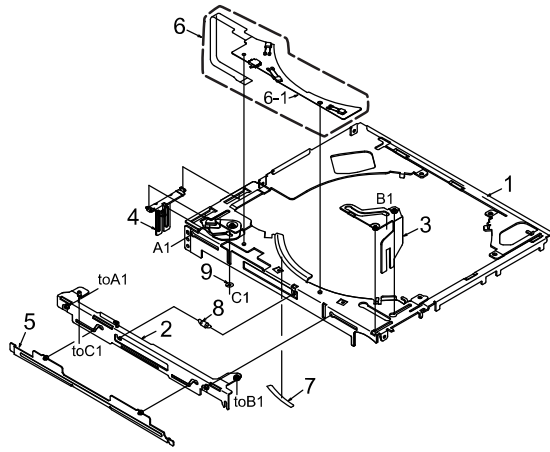
Drive-CH unit section



* Do not reuse the following parts.
(No.15,16,17,18,22)

NO.	PART NO.	DESCRIPTION	Q'TY	NO.	PART NO.	DESCRIPTION	Q'TY
1	HBS-620-100	DRIVE UNIT	1	12	750-6852-20	DRIVE SPRING A	1
2	HBS-612-100	LOADING-U-ASSY	1	13	620-1831-21	S-PWB PLATE	1
3	HBS-615-100	LO-MOTOR-S-ASSY	1	14	750-6754-20	LO-ES-SPRING B	1
4	HBS-614-100	L-SEN-FPC-ASSY	1	15	345-5424-01	SEN-FPC GUIDE	1
4-1	-----	SENSOR-L-FPC	1	16	716-3601-00	SCREW(M1.7x2 sealock)	2
5	966-1828-22	DRIVE-CH A-ASSY	1	17	743-1500-1B	E-RING	2
6	620-1838-21	D-SHIFT LINK A	1	18	746-0870-00	WASHER	1
7	620-1837-20	DRIVE CHASSIS B	1	19	621-1807-00	RUBBER PART	1
8	620-1836-20	DR-SUPPORT-PL	1	20	622-1850-20	D-SHIFT ROLLERE	1
9	622-1743-21	D-SHIFT ROLLERB	1	21	347-8392-00	FPC WASHER	1
10	716-3450-00	SCREW(M1.7x2)	2	22	716-3451-02	SCREW(M1.7x2.5 sealock)	1
11	716-3603-00	SCREW(M1.7x5)	1				

Upper unit assy section



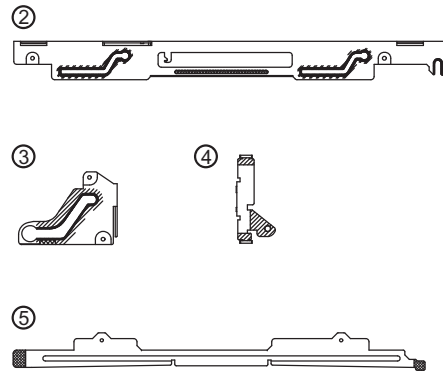
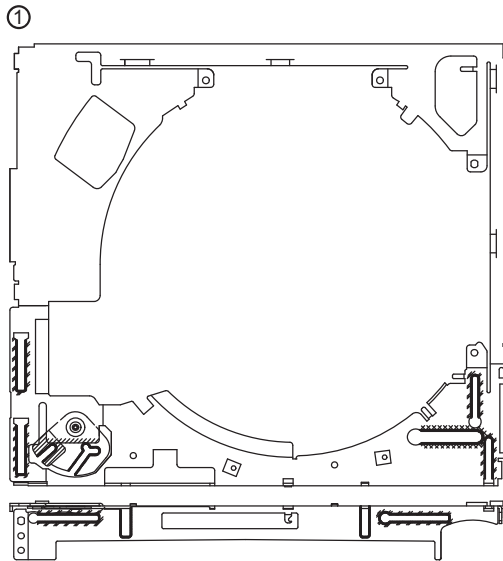
* Do not reuse the following parts.
(No.6,7,9)

NO.	PART NO.	DESCRIPTION	QTY
1	966-1823-21	UPPER-CHA-ASSY	1
2	966-1824-20	LO-SHIFT A ASSY	1
3	966-1791-20	LO-SHIFT B ASSY	1
4	966-1825-20	LO-SHIFT C ASSY	1
5	966-1826-20	SHUTTER ASSY	1
6	HBS-613-100	U-SEN-FPC-ASSY	1
6-1	-----	SENSOR-U-FPC	1
7	347-8216-00	RATTLE SHEET	1
8	750-6850-20	SHUTTER SPRING	1
9	746-0870-00	WASHER	1

[Grease Point]

* Grease : SANKOL FG-87HSR

	Put grease on the surface	
	Put grease on the reverse side	
	Put grease on the both sides	
	Put grease on the edge	



ELECTRICAL PARTS LIST

CD PWB(BM1) section

REF No.	PART No.	DESCRIPTION	REF No.	PART No.	DESCRIPTION	REF No.	PART No.	DESCRIPTION
C1	168-1052-78	16V 1uF	C13	168-1052-78	16V 1uF	C22	168-1052-78	16V 1uF
C3	168-1042-78	16V 0.1uF	C14	168-1042-78	16V 0.1uF	C25	168-4732-78	0.047uF K
C4	043-0559-90	6.3V 22uF	C15	168-1052-78	16V 1uF	C26	166-4711-50	470pF CH
C5	168-1032-55	0.01uF K	C16	043-0559-90	6.3V 22uF	C27	168-1052-78	16V 1uF
C6	042-1702-90	6.3V 100uF	C17	168-1032-55	0.01uF K	C28	168-4732-78	0.047uF K
C7	168-1052-78	16V 1uF	C18	168-1052-78	16V 1uF	C29	166-4711-50	470pF CH
C9	168-1052-78	16V 1uF	C19	043-0559-90	6.3V 22uF	C30	166-1007-50	10pF CH
C11	168-1052-78	16V 1uF	C20	168-1042-78	16V 0.1uF	C31	166-1007-50	10pF CH
C12	042-0671-01	10V 47uF TA	C21	168-1032-55	0.01uF K	C32	168-1042-78	16V 0.1uF

Note) Several different parts of the same reference number are alternative parts.
One of those parts is used in the set.

REF No.	PART No.	DESCRIPTION	REF No.	PART No.	DESCRIPTION	REF No.	PART No.	DESCRIPTION
C33	168-2222-55	2200pF K	IC3	051-6733-00	TC94A73MFG-201	R30	119-4701-15	1/10W 47 ohm
C34	168-1042-78	16V 0.1uF	IC4	051-6060-08	BD7961FM-E2	R31	119-2201-15	1/10W 22 ohm
C35	168-1042-78	16V 0.1uF	IC5	051-5452-90	BD5235G	R32	119-1051-15	1/10W 1M ohm
C36	168-1042-78	16V 0.1uF	IC8	051-9402-78	BR93L56RFVM-W	R33	119-2211-15	1/10W 220 ohm
C37	168-6822-55	6800pF K	IC9	051-6072-08	BD7931FE2	R34	119-4731-15	1/10W 47k ohm
C39	168-1042-78	16V 0.1uF	IC10	051-5833-00	GP1S093HCZ	R35	119-1051-15	1/10W 1M ohm
C40	168-3332-78	0.033uF K	IC11	051-3392-90	S-1323B15NB-N8ATFG	R36	119-4721-15	1/10W 4.7k ohm
C41	168-1042-78	16V 0.1uF				R37	119-4731-15	1/10W 47k ohm
C42	168-1042-78	16V 0.1uF	J1	074-1237-69	SOCKET 19P	R38	119-2231-15	1/10W 22k ohm
C43	168-1042-78	16V 0.1uF	J2	074-1201-65	SOCKET 15P	R39	119-1041-15	1/10W 100k ohm
C45	168-1042-78	16V 0.1uF	J3	074-1138-56	SOCKET 6P	R40	119-4721-15	1/10W 4.7k ohm
C46	168-1042-78	16V 0.1uF	J4	074-1100-61	SOCKET 11P	R41	119-4731-15	1/10W 47k ohm
C48	168-1042-78	16V 0.1uF	J5	074-1201-61	SOCKET 11P	R42	032-0140-16	1/10W 180k ohm F
C49	168-1042-78	16V 0.1uF	Q1	060-0252-01	PT4850F	R43	119-4731-15	1/10W 47k ohm
C50	168-1042-78	16V 0.1uF	Q2	125-0021-91	DTA114EUA	R44	119-2201-15	1/10W 22 ohm
C51	168-1042-78	16V 0.1uF	Q3	198-3018-00	2SK3018	R45	119-1511-15	1/10W 150 ohm
C52	168-5622-55	5600pF K	Q4	190-2060-00	2SA2060	R46	119-4721-15	1/10W 4.7k ohm
C53	168-1042-78	16V 0.1uF	Q8	190-2060-00	2SA2060	R47	032-0140-96	1/10W 120k ohm F
C54	166-6801-50	68pF CH	Q9	125-9026-90	IMF29	R48	119-1041-15	1/10W 100k ohm
C55	168-1532-55	0.015uF K	Q10	125-2027-91	DTC114EUA	R50	119-2211-15	1/10W 220 ohm
C56	168-1042-78	16V 0.1uF	Q11	125-0021-91	DTA114EUA	R51	119-0000-05	1/10W 0 ohm JW
C57	168-1032-55	0.01uF K	Q12	125-2027-91	DTC114EUA	R52	119-1041-15	1/10W 100k ohm
C58	168-1042-78	16V 0.1uF	Q13	125-9026-90	IMF29	R53	119-5621-15	1/10W 5.6k ohm
C59	168-1042-78	16V 0.1uF	R1	119-6811-15	1/10W 680 ohm	R55	119-3341-15	1/10W 330k ohm
C60	168-1522-55	1500pF K	R2	119-6811-15	1/10W 680 ohm	R56	119-4731-15	1/10W 47k ohm
C61	168-3322-55	3300pF K	R3	032-0163-91	1/2W 10 ohm	R57	119-2231-15	1/10W 22k ohm
C62	168-1032-55	0.01uF K	R4	032-0163-91	1/2W 10 ohm	R58	119-2211-15	1/10W 220 ohm
C64	168-1042-78	16V 0.1uF	R5	119-2231-15	1/10W 22k ohm	R59	119-1511-15	1/10W 150 ohm
C65	168-1032-55	0.01uF K	R6	116-1001-15	1/4W 10 ohm	R60	119-4731-15	1/10W 47k ohm
C67	168-1032-55	0.01uF K	R7	119-1021-15	1/10W 1k ohm	R61	119-1041-15	1/10W 100k ohm
C69	168-1532-55	0.015uF K	R8	116-1591-15	1/4W 1.5 ohm	R62	119-1041-15	1/10W 100k ohm
C70	166-4701-50	47pF CH	R9	119-2231-15	1/10W 22k ohm	R63	119-1041-15	1/10W 100k ohm
C71	168-1042-78	16V 0.1uF	R10	119-4711-15	1/10W 470 ohm	R64	119-1011-15	1/10W 100 ohm
C72	168-1042-78	16V 0.1uF	R11	119-2211-15	1/10W 220 ohm	R65	119-1041-15	1/10W 100k ohm
C74	166-6097-50	6pF CH	R12	119-6811-15	1/10W 680 ohm	R66	117-5611-15	1/8W 560 ohm
C75	168-1042-78	16V 0.1uF	R13	119-1011-15	1/10W 100 ohm	R67	116-3311-15	1/4W 330 ohm
C76	168-5622-55	5600pF K	R14	119-2231-15	1/10W 22k ohm	R68	116-3311-15	1/4W 330 ohm
C77	168-1032-55	0.01uF K	R15	119-8231-15	1/10W 82k ohm	R81	116-1591-15	1/4W 1.5 ohm
C101	043-0563-90	16V 47uF	R16	119-1041-15	1/10W 100k ohm	R101	119-0000-05	1/10W 0 ohm JW
CCT1	050-0145-59	1/16W 22 ohm x4	R17	119-1041-15	1/10W 100k ohm	R102	119-0000-05	1/10W 0 ohm JW
CCT2	050-0145-54	1/16W 47k ohm x4	R18	119-1041-15	1/10W 100k ohm	R103	119-0000-05	1/10W 0 ohm JW
CCT3	050-0145-54	1/16W 47k ohm x4	R19	119-1041-15	1/10W 100k ohm	R201	119-0000-05	1/10W 0 ohm JW
CCT4	050-0145-55	1/16W 10k ohm x4	R20	119-1041-15	1/10W 100k ohm	R212	119-1041-15	1/10W 100k ohm
CCT5	050-0140-55	1/32W 2.2k ohmx4J	R21	119-2221-15	1/10W 2.2k ohm	S1	013-7416-50	SW SPVL110200
D1	001-4301-14	HZU 3.0B1	R22	119-4711-15	1/10W 470 ohm	S2	013-7416-50	SW SPVL110200
D1	001-0529-14	MA8030-L	R23	119-1051-15	1/10W 1M ohm	S3	013-7412-50	SPVG21
D2	001-0367-91	1SS226	R24	119-2211-15	1/10W 220 ohm	S4	013-7415-50	SPVG110400
D3	001-4301-13	HZU 2.7B2	R25	119-2211-15	1/10W 220 ohm	X1	061-3534-90	16.92MHz
D3	001-0529-13	MA8029-H	R26	119-1041-15	1/10W 100k ohm	X3	060-1545-90	20MHz
D4	001-4301-18	HZU 3.6B1	R27	119-1051-15	1/10W 1M ohm	PWB	039-3058-20	PWB(WITHOUT COMPONENT)
D4	001-0529-18	MA8036-L	R28	119-1041-15	1/10W 100k ohm			
IC2	052-5077-01	TMP91CY22IFG	R29	119-1041-15	1/10W 100k ohm			

Sensor-L-PFC(BM2) section

REF No.	PART No.	DESCRIPTION
PT1	060-0252-01	PT14850F
PT2	060-0252-01	PT14850F
PT3	051-5833-00	GP1S093HCZ

REF No.	PART No.	DESCRIPTION
PWB	039-3003-20	PWB(WITHOUT COMPONENTS)

Sensor-U-PFC(BM3) section

REF No.	PART No.	DESCRIPTION
LED1	001-7077-00	GL4804
LED2	001-7042-00	GL4800
LED3	001-7042-00	GL4800

REF No.	PART No.	DESCRIPTION
S5	013-7417-50	ABC1122P161
PWB	039-3004-20	PWB(WITHOUT COMPONENTS)