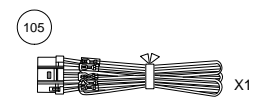
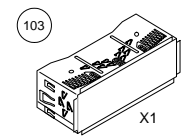
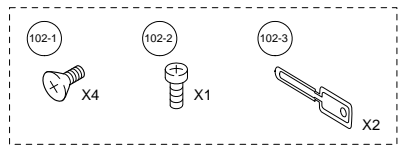
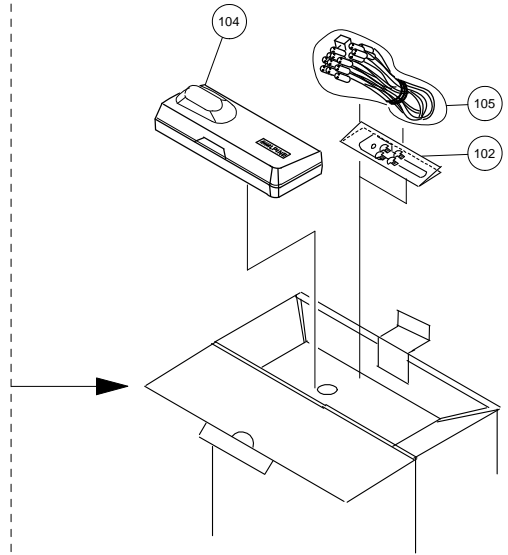
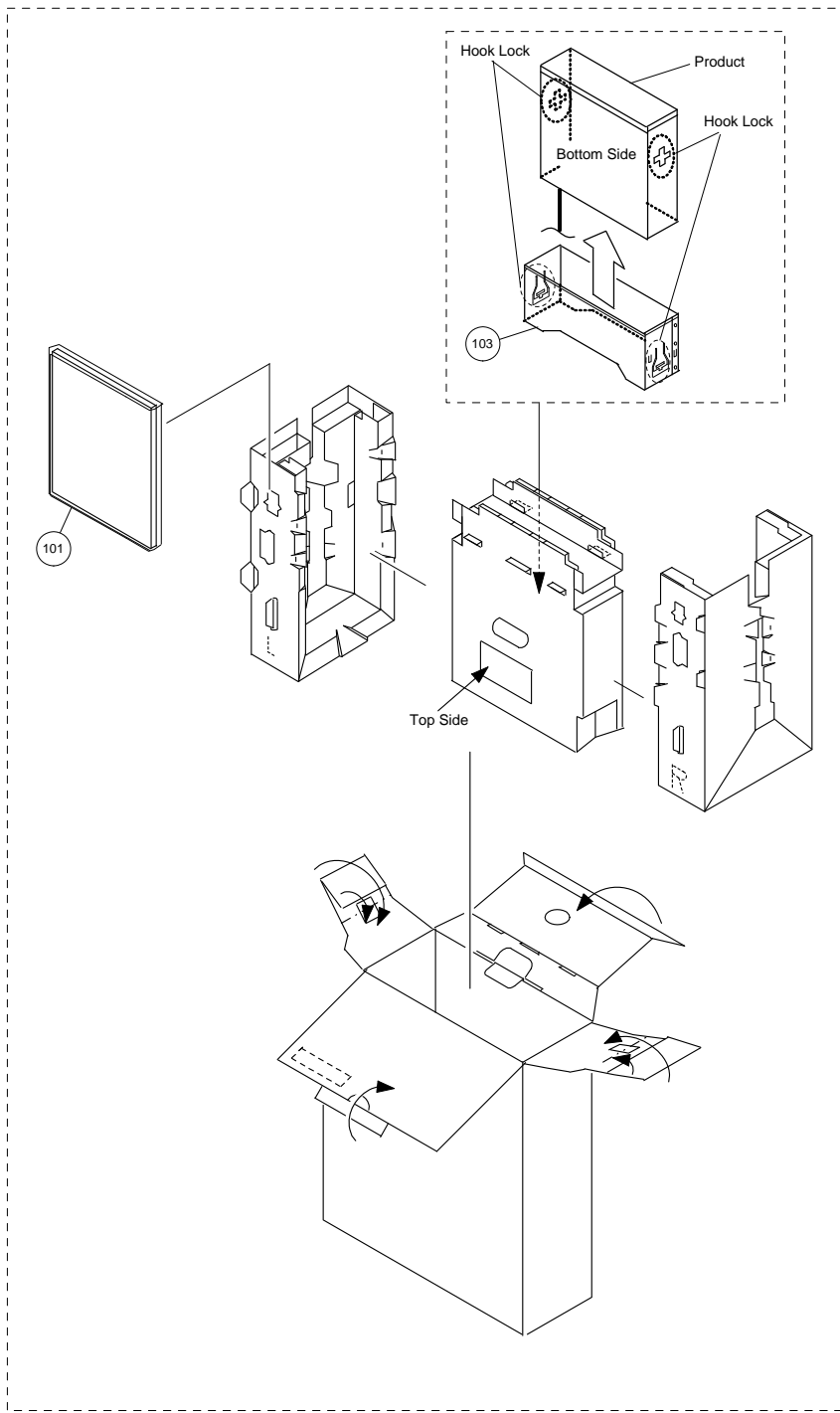
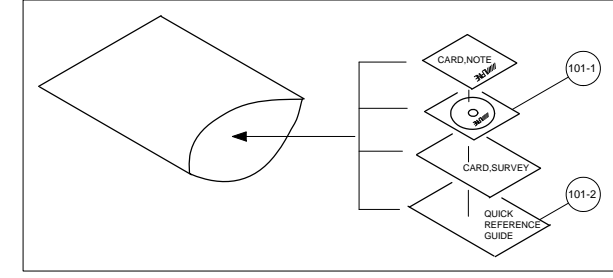


# Packing Method View

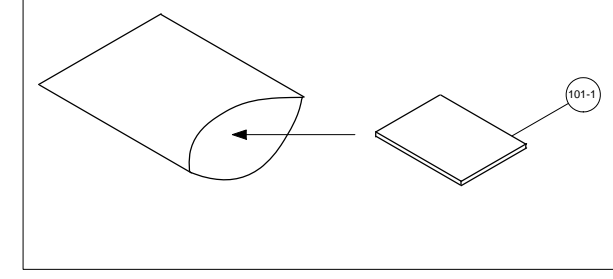


101

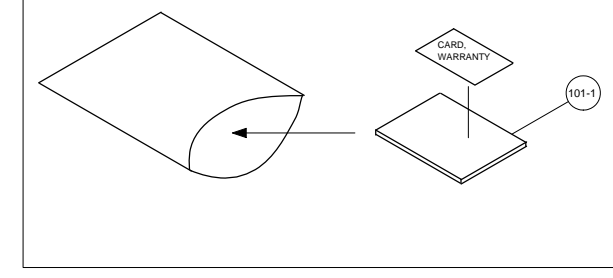
## CDA-105 Only



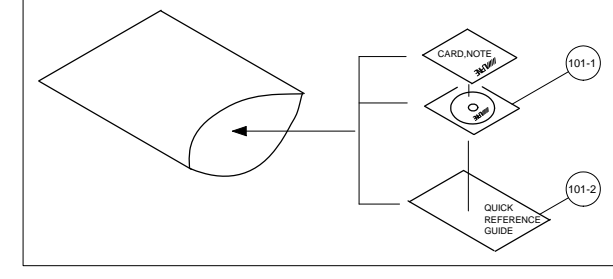
## CDA-105E (General Foreign) Only



## CDA-105E (Chinese) Only



## CDA-105L Only



MODEL	Symbol No.	Parts No.	Description
#1	<a href="#">101-1</a>	68-10334Z14	O/M-CDROM FLAT
\$1	<a href="#">101-1</a>	68-09359Z81	O/M AAO AOTA
%1	<a href="#">101-1</a>	68-09359Z82	O/M AOCH AOTA
&1	<a href="#">101-1</a>	68-10334Z14	O/M-CDROM FLAT
#1	<a href="#">101-2</a>	68-09359Z90	C/N-QRG AOAM AOTA
&1	<a href="#">101-2</a>	68-09359Z97	C/N-QRG AOL AOTA
	<a href="#">102-1</a>	03S60820Y16	SCR,MCH 5X8 ZN A
	<a href="#">102-2</a>	03S70691Y11	SCR,B-T 1.7X8 ZB A
	<a href="#">102-3</a>	07-01964Z01	BKT,RELEASE
	<a href="#">103</a>	15-01970Z01	CASE,INNER
	<a href="#">104</a>	15-09616Z02	CARRYING,CASE ASSY
	<a href="#">105</a>	09-02256Z04	ASSY,ANIC-0008-04B

Mark Model Code

#1 CDA-105 Only,

\$1 CDA-105E(General Foreign) Only,

%1 CDA-105E(Chinese) Only,

&1 CDA-105L Only,

Others:Common.

NOTE:The part that has not PART NUMBER will not be supplied.

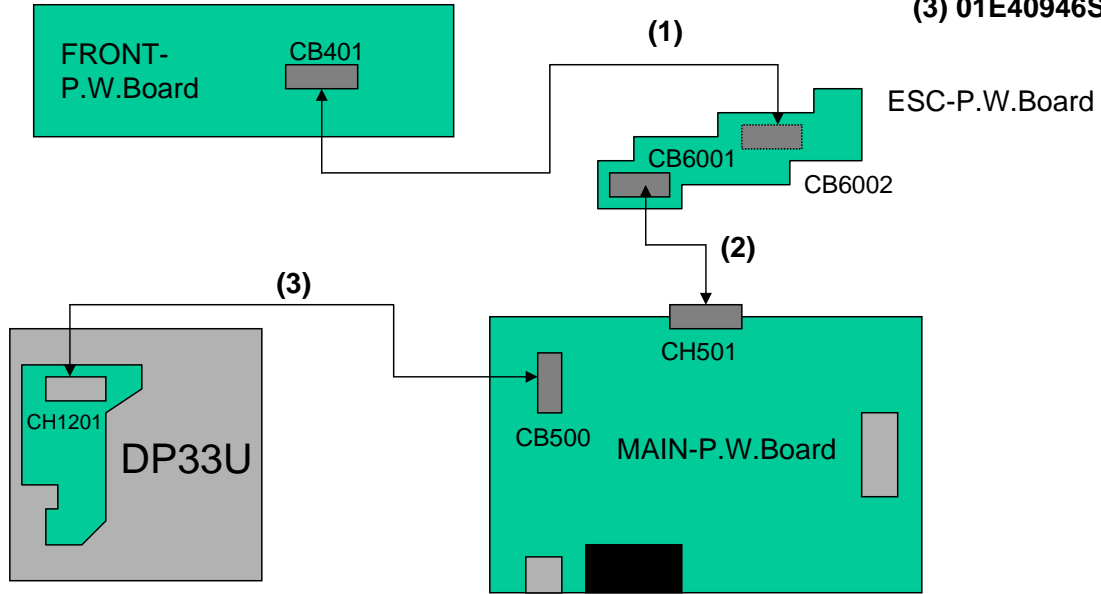
# Extension Cable


\*Always connect the Extension Cable when making checks of voltage and repair.

(1) 01V39192S01

(2) 01V35647S01

(3) 01E40946S01



P.W.Board	MIS	MODEL	Ref.	Parts No.	Parts Name
MAIN-P.W.Board			<a href="#">ANT001</a>	09-06103Z01	ASSY,ANID-0035-01A
MAIN-P.W.Board			<a href="#">C002</a>	08S45676W80	CAP,CER 223K-B1E -CP
MAIN-P.W.Board			<a href="#">C004</a>	08S45677W60	CAP,CER 102J-CH1H-CP
MAIN-P.W.Board			<a href="#">C009</a>	08S82122F32	CAP,CER.62RJ-CH1H-CP
MAIN-P.W.Board			<a href="#">C010</a>	08S82122F27	CAP,CER.39RJ-CH1H-CP
MAIN-P.W.Board			<a href="#">C011</a>	08S82122F19	CAP,CER.18RJ-CH1H-CP
MAIN-P.W.Board			<a href="#">C101</a>	08S45676W80	CAP,CER 223K-B1E -CP
MAIN-P.W.Board			<a href="#">C102</a>	08S45676W73	CAP,CER.103K-B1H -CP
MAIN-P.W.Board			<a href="#">C104</a>	08S45676W80	CAP,CER 223K-B1E -CP
MAIN-P.W.Board			<a href="#">C105</a>	08S65667Y05	CAP,CER 105KX5R1A-CP
MAIN-P.W.Board			<a href="#">C201</a>	08S45676W79	CAP,CER 183K-B1E -CP
MAIN-P.W.Board			<a href="#">C202</a>	08S45676W85	CAP,CER 104K-B1C -CP
MAIN-P.W.Board			<a href="#">C203</a>	08S45676W85	CAP,CER 104K-B1C -CP
MAIN-P.W.Board			<a href="#">C205</a>	08S45676W80	CAP,CER 223K-B1E -CP
MAIN-P.W.Board			<a href="#">C206</a>	08S65676Y03	CAP,CER 225KX7R1C-CP
MAIN-P.W.Board			<a href="#">C207</a>	08S60102F40	CAP,CER 224K-B1E -CP
MAIN-P.W.Board			<a href="#">C208</a>	08S65676Y05	CAP,CER 105KX7R1E-CP
MAIN-P.W.Board			<a href="#">C209</a>	08S60102F40	CAP,CER 224K-B1E -CP
MAIN-P.W.Board			<a href="#">C210</a>	08S65676Y05	CAP,CER 105KX7R1E-CP
MAIN-P.W.Board			<a href="#">C300</a>	08S65667Y01	CAP,CER 224KX5R1C-CP
MAIN-P.W.Board			<a href="#">C301</a>	08S65667Y01	CAP,CER 224KX5R1C-CP
MAIN-P.W.Board			<a href="#">C303</a>	08S65667Y01	CAP,CER 224KX5R1C-CP
MAIN-P.W.Board			<a href="#">C304</a>	08S65667Y01	CAP,CER 224KX5R1C-CP
MAIN-P.W.Board			<a href="#">C305</a>	08S35349Y16	CAP,CER 105K-B1A -CP
MAIN-P.W.Board			<a href="#">C306</a>	08S45676W83	CAP,CER 473K-B1C -CP
MAIN-P.W.Board			<a href="#">C5002</a>	08S45676W80	CAP,CER 223K-B1E -CP
MAIN-P.W.Board			<a href="#">C5005</a>	08S45676W65	CAP,CER.222K-B1H -CP
MAIN-P.W.Board			<a href="#">C5006</a>	08S45676W65	CAP,CER.222K-B1H -CP
MAIN-P.W.Board			<a href="#">C5007</a>	08S45676W65	CAP,CER.222K-B1H -CP
MAIN-P.W.Board			<a href="#">C501</a>	08S45676W85	CAP,CER 104K-B1C -CP
MAIN-P.W.Board			<a href="#">C502</a>	08S45231Y10	CAP,CER 7R0D-CH1H-CP
MAIN-P.W.Board			<a href="#">C503</a>	08S45231Y10	CAP,CER 7R0D-CH1H-CP
MAIN-P.W.Board			<a href="#">C504</a>	08S45231Y18	CAP,CER 27RJ-CH1H-CP
MAIN-P.W.Board			<a href="#">C505</a>	08S45231Y18	CAP,CER 27RJ-CH1H-CP
MAIN-P.W.Board			<a href="#">C506</a>	08S45231Y18	CAP,CER 27RJ-CH1H-CP
MAIN-P.W.Board			<a href="#">C507</a>	08S45231Y18	CAP,CER 27RJ-CH1H-CP
MAIN-P.W.Board			<a href="#">C508</a>	08S65667Y03	CAP,CER 474KX5R1A-CP
MAIN-P.W.Board			<a href="#">C509</a>	08S45677W60	CAP,CER 102J-CH1H-CP
MAIN-P.W.Board			<a href="#">C510</a>	08S35374W01	CAP,CER 104K-B1E-CP
MAIN-P.W.Board			<a href="#">C511</a>	08S65128F90	CAP,CER 473K-B1H -CP
MAIN-P.W.Board			<a href="#">C512</a>	08S45676W80	CAP,CER 223K-B1E -CP
MAIN-P.W.Board			<a href="#">C513</a>	08T81833F07	CAP,CER 105K-B1C -CP
MAIN-P.W.Board			<a href="#">C514</a>	08S45677W22	CAP,CER.27RJ-CH1H-CP
MAIN-P.W.Board			<a href="#">C515</a>	08S45677W36	CAP,CER.101J-CH1H-CP
MAIN-P.W.Board			<a href="#">C517</a>	08S45676W80	CAP,CER 223K-B1E -CP

Mark Model Code

#1 CDA-105 Only,

\$1 CDA-105E(General Foreign) Only,

%1 CDA-105E(Chinese) Only,

&1 CDA-105L Only,

Others:Common.

NOTE:The part that has not PART NUMBER will not be supplied.

P.W.Board	MIS	MODEL	Ref.	Parts No.	Parts Name
MAIN-P.W.Board			<a href="#">C518</a>	08S45676W80	CAP,CER 223K-B1E -CP
MAIN-P.W.Board			<a href="#">C520</a>	08S45676W85	CAP,CER 104K-B1C -CP
MAIN-P.W.Board			<a href="#">C521</a>	08S45676W85	CAP,CER 104K-B1C -CP
MAIN-P.W.Board			<a href="#">C603</a>	08S45676W80	CAP,CER 223K-B1E -CP
MAIN-P.W.Board			<a href="#">C604</a>	08S35350Y04	CAP,CER 105K-B1C -CP
MAIN-P.W.Board			<a href="#">C608</a>	08S35374W01	CAP,CER 104K-B1E-CP
MAIN-P.W.Board			<a href="#">C609</a>	08S65128F78	CAP,CER.223K-B1H -CP
MAIN-P.W.Board			<a href="#">C610</a>	08S45676W65	CAP,CER.222K-B1H -CP
MAIN-P.W.Board			<a href="#">C611</a>	08S45677W36	CAP,CER.101J-CH1H-CP
MAIN-P.W.Board			<a href="#">C707</a>	08S45677W20	CAP,CER.22RJ-CH1H-CP
MAIN-P.W.Board			<a href="#">C708</a>	08S45677W20	CAP,CER.22RJ-CH1H-CP
MAIN-P.W.Board			<a href="#">C709</a>	08S45677W20	CAP,CER.22RJ-CH1H-CP
MAIN-P.W.Board			<a href="#">C710</a>	08S45677W20	CAP,CER.22RJ-CH1H-CP
MAIN-P.W.Board			<a href="#">C711</a>	08S65674Y05	CAP,CER 105KX5R1C-CP
MAIN-P.W.Board			<a href="#">C712</a>	08S65674Y05	CAP,CER 105KX5R1C-CP
MAIN-P.W.Board			<a href="#">C713</a>	08S65674Y05	CAP,CER 105KX5R1C-CP
MAIN-P.W.Board			<a href="#">C714</a>	08S65674Y05	CAP,CER 105KX5R1C-CP
MAIN-P.W.Board			<a href="#">C715</a>	08S65674Y05	CAP,CER 105KX5R1C-CP
MAIN-P.W.Board			<a href="#">C716</a>	08S65674Y05	CAP,CER 105KX5R1C-CP
MAIN-P.W.Board			<a href="#">C717</a>	08S65674Y05	CAP,CER 105KX5R1C-CP
MAIN-P.W.Board			<a href="#">C718</a>	08S65674Y05	CAP,CER 105KX5R1C-CP
MAIN-P.W.Board			<a href="#">C719</a>	08S45677W20	CAP,CER.22RJ-CH1H-CP
MAIN-P.W.Board			<a href="#">C720</a>	08S45677W20	CAP,CER.22RJ-CH1H-CP
MAIN-P.W.Board			<a href="#">C721</a>	08S45677W20	CAP,CER.22RJ-CH1H-CP
MAIN-P.W.Board			<a href="#">C722</a>	08S45677W20	CAP,CER.22RJ-CH1H-CP
MAIN-P.W.Board			<a href="#">C723</a>	08S45676W80	CAP,CER 223K-B1E -CP
MAIN-P.W.Board			<a href="#">C724</a>	08S45676W80	CAP,CER 223K-B1E -CP
MAIN-P.W.Board			<a href="#">C725</a>	08S45676W80	CAP,CER 223K-B1E -CP
MAIN-P.W.Board			<a href="#">C800</a>	08S45676W85	CAP,CER 104K-B1C -CP
MAIN-P.W.Board			<a href="#">C802</a>	08S65667Y01	CAP,CER 224KX5R1C-CP
MAIN-P.W.Board			<a href="#">C804</a>	08S45676W73	CAP,CER.103K-B1H -CP
MAIN-P.W.Board			<a href="#">C805</a>	08S45676W85	CAP,CER 104K-B1C -CP
MAIN-P.W.Board			<a href="#">C806</a>	08S65667Y01	CAP,CER 224KX5R1C-CP
MAIN-P.W.Board			<a href="#">C809</a>	08S45676W79	CAP,CER 183K-B1E -CP
MAIN-P.W.Board			<a href="#">C810</a>	08S45676W80	CAP,CER 223K-B1E -CP
MAIN-P.W.Board			<a href="#">C811</a>	08S45676W80	CAP,CER 223K-B1E -CP
MAIN-P.W.Board			<a href="#">C812</a>	08S45676W85	CAP,CER 104K-B1C -CP
MAIN-P.W.Board			<a href="#">C814</a>	08S45676W85	CAP,CER 104K-B1C -CP
MAIN-P.W.Board			<a href="#">C815</a>	08S45676W85	CAP,CER 104K-B1C -CP
MAIN-P.W.Board			<a href="#">C816</a>	08S45539Y04	CAP,CER 103KX7R2J-CP
MAIN-P.W.Board			<a href="#">C817</a>	08S45539Y04	CAP,CER 103KX7R2J-CP
MAIN-P.W.Board			<a href="#">C819</a>	08S65128F78	CAP,CER.223K-B1H -CP
MAIN-P.W.Board			<a href="#">C823</a>	08S45676W85	CAP,CER 104K-B1C -CP
MAIN-P.W.Board			<a href="#">C825</a>	08S45676W85	CAP,CER 104K-B1C -CP
MAIN-P.W.Board			<a href="#">C829</a>	08T81833F13	CAP,CER 106K-B1C -CP

Mark Model Code

#1 CDA-105 Only,



\$1 CDA-105E(General Foreign) Only,

%1 CDA-105E(Chinese) Only,

&1 CDA-105L Only,

Others:Common.

NOTE:The part that has not PART NUMBER will not be supplied.

P.W.Board	MIS	MODEL	Ref.	Parts No.	Parts Name
MAIN-P.W.Board			<a href="#">C832</a>	08S45232Y11	CAP,CER 103K-B1C -CP
MAIN-P.W.Board			<a href="#">C833</a>	08S45232Y13	CAP,CER 223K-B1C -CP
MAIN-P.W.Board			<a href="#">C834</a>	08S65128F78	CAP,CER.223K-B1H -CP
MAIN-P.W.Board			<a href="#">C835</a>	08S35374W01	CAP,CER 104K-B1E-CP
MAIN-P.W.Board			<a href="#">C839</a>	08S45676W80	CAP,CER 223K-B1E -CP
MAIN-P.W.Board			<a href="#">CB500</a>	09-11475Z03	BTB,IMSA9852B-26Y-EZ
MAIN-P.W.Board			<a href="#">CB5001</a>	09T03498K11	WTB,53253-1110 -DB
MAIN-P.W.Board			<a href="#">CB801</a>	24-02502Z02	ASSY,W277A001 -DB
MAIN-P.W.Board			<a href="#">CB802</a>	09-05986Z04	WTB,SM05B-PASS-TBTE9
MAIN-P.W.Board			<a href="#">CH501</a>	09T75236Y20	BTB,BTFW20R-3RSTA-EJ
MAIN-P.W.Board			<a href="#">D001</a>	48T85357W01	DIO,1PS226 -CP
MAIN-P.W.Board			<a href="#">D101</a>	48T45701Y01	DIO,MA2S728-TX -CP
MAIN-P.W.Board			<a href="#">D106</a>	48T75527Y01	DIO,1SR154-400 -E1
MAIN-P.W.Board			<a href="#">D107</a>	48T75527Y01	DIO,1SR154-400 -E1
MAIN-P.W.Board			<a href="#">D301</a>	48-07015Z01	DIO,KDS160-RTK -CP
MAIN-P.W.Board			<a href="#">D330</a>	48-07016Z01	DIO,KDS181-RTK -CP
MAIN-P.W.Board			<a href="#">D331</a>	48-07016Z01	DIO,KDS181-RTK -CP
MAIN-P.W.Board			<a href="#">D332</a>	48-07016Z01	DIO,KDS181-RTK -CP
MAIN-P.W.Board			<a href="#">D5000</a>	48T85357W01	DIO,1PS226 -CP
MAIN-P.W.Board			<a href="#">D5001</a>	48T85357W01	DIO,1PS226 -CP
MAIN-P.W.Board			<a href="#">D501</a>	48T25651W02	DIO,MA152WK-TX -CP
MAIN-P.W.Board			<a href="#">D502</a>	48-07016Z01	DIO,KDS181-RTK -CP
MAIN-P.W.Board			<a href="#">D503</a>	48-07015Z01	DIO,KDS160-RTK -CP
MAIN-P.W.Board			<a href="#">D605</a>	48T25651W02	DIO,MA152WK-TX -CP
MAIN-P.W.Board			<a href="#">D800</a>	48T75527Y01	DIO,1SR154-400 -E1
MAIN-P.W.Board			<a href="#">D801</a>	48T75527Y01	DIO,1SR154-400 -E1
MAIN-P.W.Board			<a href="#">D803</a>	48T75527Y01	DIO,1SR154-400 -E1
MAIN-P.W.Board			<a href="#">D804</a>	48T75527Y01	DIO,1SR154-400 -E1
MAIN-P.W.Board			<a href="#">D805</a>	48T75527Y01	DIO,1SR154-400 -E1
MAIN-P.W.Board			<a href="#">D806</a>	48-07015Z01	DIO,KDS160-RTK -CP
MAIN-P.W.Board			<a href="#">D807</a>	48T75527Y01	DIO,1SR154-400 -E1
MAIN-P.W.Board			<a href="#">D808</a>	48-08988Z01	VST,EZJZ0V800AA -CP
MAIN-P.W.Board			<a href="#">D809</a>	48-08988Z01	VST,EZJZ0V800AA -CP
MAIN-P.W.Board			<a href="#">DIN801</a>	09T55071W11	CON,TCP9389-11 -DT
MAIN-P.W.Board			<a href="#">E002</a>	23S65134W23	CAP,ELY 101-1A(6)-E6
MAIN-P.W.Board			<a href="#">E003</a>	23T65114Y20	CAP,FK 101-1C-D -E6
MAIN-P.W.Board			<a href="#">E004</a>	23S65134W53	CAP,ELY 4R7-1V(4)-E2
MAIN-P.W.Board			<a href="#">E101</a>	23S65134W22	CAP,ELY 47R-1A(6)-E6
MAIN-P.W.Board			<a href="#">E102</a>	23S65134W23	CAP,ELY 101-1A(6)-E6
MAIN-P.W.Board			<a href="#">E103</a>	23T65114Y14	CAP,FK 471-1A-F -EA
MAIN-P.W.Board			<a href="#">E200</a>	23S65134W32	CAP,ELY 22R-1C(5)-E3
MAIN-P.W.Board			<a href="#">E201</a>	23S65134W34	CAP,ELY 47R-1C(6)-E6
MAIN-P.W.Board			<a href="#">E202</a>	23S65134W41	CAP,ELY 4R7-1E(3)-E2
MAIN-P.W.Board			<a href="#">E203</a>	23S65134W41	CAP,ELY 4R7-1E(3)-E2
MAIN-P.W.Board			<a href="#">E204</a>	23S65134W41	CAP,ELY 4R7-1E(3)-E2

Mark Model Code

#1 CDA-105 Only,

\$1 CDA-105E(General Foreign) Only,

%1 CDA-105E(Chinese) Only,

&1 CDA-105L Only,

Others:Common.

NOTE:The part that has not PART NUMBER will not be supplied.

P.W.Board	MIS	MODEL	Ref.	Parts No.	Parts Name
MAIN-P.W.Board			<a href="#">E206</a>	23S65134W32	CAP,ELY 22R-1C(5)-E3
MAIN-P.W.Board			<a href="#">E207</a>	23S65134W41	CAP,ELY 4R7-1E(3)-E2
MAIN-P.W.Board			<a href="#">E208</a>	23S65134W41	CAP,ELY 4R7-1E(3)-E2
MAIN-P.W.Board			<a href="#">E209</a>	23S65134W41	CAP,ELY 4R7-1E(3)-E2
MAIN-P.W.Board			<a href="#">E210</a>	23S65134W41	CAP,ELY 4R7-1E(3)-E2
MAIN-P.W.Board			<a href="#">E211</a>	23S65134W41	CAP,ELY 4R7-1E(3)-E2
MAIN-P.W.Board			<a href="#">E212</a>	23S65134W41	CAP,ELY 4R7-1E(3)-E2
MAIN-P.W.Board			<a href="#">E216</a>	23S65134W32	CAP,ELY 22R-1C(5)-E3
MAIN-P.W.Board			<a href="#">E301</a>	23S65134W41	CAP,ELY 4R7-1E(3)-E2
MAIN-P.W.Board			<a href="#">E302</a>	23S65134W41	CAP,ELY 4R7-1E(3)-E2
MAIN-P.W.Board			<a href="#">E303</a>	23S65134W41	CAP,ELY 4R7-1E(3)-E2
MAIN-P.W.Board			<a href="#">E304</a>	23S65134W41	CAP,ELY 4R7-1E(3)-E2
MAIN-P.W.Board			<a href="#">E305</a>	23S65134W34	CAP,ELY 47R-1C(6)-E6
MAIN-P.W.Board			<a href="#">E306</a>	23S65134W65	CAP,ELY 1R0-1H(3)-E2
MAIN-P.W.Board			<a href="#">E307</a>	23S65134W32	CAP,ELY 22R-1C(5)-E3
MAIN-P.W.Board			<a href="#">E308</a>	23S65134W53	CAP,ELY 4R7-1V(4)-E2
MAIN-P.W.Board			<a href="#">E309</a>	23S65134W51	CAP,ELY 2R2-1V(3)-E2
MAIN-P.W.Board			<a href="#">E310</a>	23S65134W51	CAP,ELY 2R2-1V(3)-E2
MAIN-P.W.Board			<a href="#">E311</a>	23S65134W51	CAP,ELY 2R2-1V(3)-E2
MAIN-P.W.Board			<a href="#">E312</a>	23S65134W51	CAP,ELY 2R2-1V(3)-E2
MAIN-P.W.Board			<a href="#">E313</a>	23S65134W51	CAP,ELY 2R2-1V(3)-E2
MAIN-P.W.Board			<a href="#">E314</a>	23S65134W51	CAP,ELY 2R2-1V(3)-E2
MAIN-P.W.Board			<a href="#">E500</a>	23S65134W31	CAP,ELY 10R-1C(4)-E2
MAIN-P.W.Board			<a href="#">E501</a>	23S65134W15	CAP,ELY 331-0J(8)-E6
MAIN-P.W.Board			<a href="#">E502</a>	23S65134W32	CAP,ELY 22R-1C(5)-E3
MAIN-P.W.Board			<a href="#">E602</a>	23S65134W65	CAP,ELY 1R0-1H(3)-E2
MAIN-P.W.Board			<a href="#">E700</a>	23S65134W31	CAP,ELY 10R-1C(4)-E2
MAIN-P.W.Board			<a href="#">E701</a>	23S65134W32	CAP,ELY 22R-1C(5)-E3
MAIN-P.W.Board			<a href="#">E706</a>	23S65134W32	CAP,ELY 22R-1C(5)-E3
MAIN-P.W.Board			<a href="#">E707</a>	23S65134W32	CAP,ELY 22R-1C(5)-E3
MAIN-P.W.Board			<a href="#">E708</a>	23S65134W32	CAP,ELY 22R-1C(5)-E3
MAIN-P.W.Board			<a href="#">E801</a>	23S65134W26	CAP,ELY 471-1A(8)-EA
MAIN-P.W.Board			<a href="#">E802</a>	23T65114Y23	CAP,FK 471-1C-F -EA
MAIN-P.W.Board			<a href="#">E803</a>	23T65114Y15	CAP,FK 681-1A-F -EA
MAIN-P.W.Board			<a href="#">E804</a>	23T75325Y01	CAP,VB 332-1C +
MAIN-P.W.Board			<a href="#">E805</a>	23S65134W32	CAP,ELY 22R-1C(5)-E3
MAIN-P.W.Board			<a href="#">E806</a>	23T65114Y20	CAP,FK 101-1C-D -E6
MAIN-P.W.Board			<a href="#">E811</a>	23T65114Y23	CAP,FK 471-1C-F -EA
MAIN-P.W.Board			<a href="#">E812</a>	23S65134W34	CAP,ELY 47R-1C(6)-E6
MAIN-P.W.Board			<a href="#">F801</a>	65T75477Y13	FUSE,CCP2E 4.0A -CP
MAIN-P.W.Board			<a href="#">IC101</a>	51T15362Y01	TC74HCT7007AFTP2-SE6
MAIN-P.W.Board			<a href="#">IC102</a>	51-05862Z01	NJM2845DL1-33-TE1NE5
MAIN-P.W.Board			<a href="#">IC103</a>	51T15191Y01	TC74VHC08FT-EL -SE5
MAIN-P.W.Board			<a href="#">IC201</a>	51-13600Z01	TDA7717 -QT
MAIN-P.W.Board			<a href="#">IC301</a>	51-14471Z01	TB2923AHQ -ZS

Mark Model Code

#1 CDA-105 Only,

\$1 CDA-105E(General Foreign) Only,

%1 CDA-105E(Chinese) Only,

&1 CDA-105L Only,

Others:Common.

NOTE:The part that has not PART NUMBER will not be supplied.

P.W.Board	MIS	MODEL	Ref.	Parts No.	Parts Name
MAIN-P.W.Board			<a href="#">IC500</a>	51-09817Z03	341S2307 -LE6
MAIN-P.W.Board			<a href="#">IC5001</a>	51T35123Y01	TC7W14FK-TE85L -CP
MAIN-P.W.Board			<a href="#">IC501</a>	83-15441Z05	V1.10 09FLAT A EJ m COM
MAIN-P.W.Board			<a href="#">IC502</a>	51T75063Y06	BD5228G-TR -CP
MAIN-P.W.Board			<a href="#">IC503</a>	51-09594Z01	KIC7W04FK-RTK -CP
MAIN-P.W.Board			<a href="#">IC504</a>	51-10494Z01	KIA393F-EL -SE2
MAIN-P.W.Board			<a href="#">IC602</a>	51T93532F05	TC4S01F-TE85L -CP
MAIN-P.W.Board			<a href="#">IC700</a>	51T15420Y01	BA4560F-E2 -SE2
MAIN-P.W.Board			<a href="#">IC701</a>	51-11419Z01	74HC4066PW,118 -SE2
MAIN-P.W.Board			<a href="#">IC702</a>	51-11419Z01	74HC4066PW,118 -SE2
MAIN-P.W.Board			<a href="#">IC703</a>	51T93340F02	NJM2060V-TE2 -SE2
MAIN-P.W.Board			<a href="#">IC800</a>	51T65147Y01	HA13165 -ZS
MAIN-P.W.Board			<a href="#">IC803</a>	51-02248Z01	BD9781HFP-TR -NEA
MAIN-P.W.Board			<a href="#">IC804</a>	51-11433Z01	RT9702AGB -CP
MAIN-P.W.Board			<a href="#">JK1200</a>	09-11352Z01	RCA,YKC21-4816N -DB
MAIN-P.W.Board			<a href="#">JK601</a>	09T03156K01	JAC,CK-3.5-14 -DB
MAIN-P.W.Board			<a href="#">L001</a>	24T25164Y21	IND,FSLM2520 4R7J-CP
MAIN-P.W.Board			<a href="#">L002</a>	24T16403W29	COI,IND.15R-M -CP
MAIN-P.W.Board			<a href="#">L003</a>	24T55488Y20	IND,LLQ1608 R027J-CP
MAIN-P.W.Board			<a href="#">L004</a>	24T55488Y24	IND,LLQ1608 R039J-CP
MAIN-P.W.Board			<a href="#">L800</a>	24-04484Z06	IND,7B12HJ 101M -EA
MAIN-P.W.Board		#1	<a href="#">Q002</a>	48-08602Z01	TR,2SA2071-Q-T100-E2
MAIN-P.W.Board		&1	<a href="#">Q002</a>	48-08602Z01	TR,2SA2071-Q-T100-E2
MAIN-P.W.Board		#1	<a href="#">Q003</a>	48-04929Z18	TR,KRC119S-RTK -CP
MAIN-P.W.Board		&1	<a href="#">Q003</a>	48-04929Z18	TR,KRC119S-RTK -CP
MAIN-P.W.Board			<a href="#">Q302</a>	48-04929Z02	TR,KRC102S-RTK -CP
MAIN-P.W.Board			<a href="#">Q304</a>	48-02302Z02	TR,XP0331200L -CP
MAIN-P.W.Board			<a href="#">Q306</a>	48-04929Z03	TR,KRC103S-RTK -CP
MAIN-P.W.Board			<a href="#">Q307</a>	48T25317Y01	TR,XN0F256-TX -CP
MAIN-P.W.Board			<a href="#">Q308</a>	48T25317Y01	TR,XN0F256-TX -CP
MAIN-P.W.Board			<a href="#">Q309</a>	48T25317Y01	TR,XN0F256-TX -CP
MAIN-P.W.Board			<a href="#">Q500</a>	48-02302Z02	TR,XP0331200L -CP
MAIN-P.W.Board			<a href="#">Q5000</a>	48-02302Z02	TR,XP0331200L -CP
MAIN-P.W.Board			<a href="#">Q5004</a>	48-07989Z13	TR,UNR521LJ-TX -CP
MAIN-P.W.Board			<a href="#">Q501</a>	48-09583Z04	TR,KTA1504S-GRRTK-CP
MAIN-P.W.Board			<a href="#">Q502</a>	48-11160Z01	TR,2SC5950G0L-TX -CP
MAIN-P.W.Board			<a href="#">Q503</a>	48-04940Z03	TR,KRA103S-RTK -CP
MAIN-P.W.Board			<a href="#">Q603</a>	48-05471Z01	TR,XP0NG8A00-L -CP
MAIN-P.W.Board			<a href="#">Q604</a>	48-04929Z03	TR,KRC103S-RTK -CP
MAIN-P.W.Board			<a href="#">Q610</a>	48T73023F01	TR ,2SD874A -E2
MAIN-P.W.Board			<a href="#">Q611</a>	48-02302Z01	TR,XP0331100L -CP
MAIN-P.W.Board			<a href="#">Q613</a>	48-09583Z04	TR,KTA1504S-GRRTK-CP
MAIN-P.W.Board			<a href="#">Q614</a>	48-04929Z02	TR,KRC102S-RTK -CP
MAIN-P.W.Board			<a href="#">Q705</a>	48-04929Z06	TR,KRC106S-RTK -CP
MAIN-P.W.Board			<a href="#">Q706</a>	48T63788F04	TR,2SD1328-T-TX -CP

Mark Model Code

#1 CDA-105 Only,

\$1 CDA-105E(General Foreign) Only,

%1 CDA-105E(Chinese) Only,

&1 CDA-105L Only,

Others:Common.

NOTE:The part that has not PART NUMBER will not be supplied.

P.W.Board	MIS	MODEL	Ref.	Parts No.	Parts Name
MAIN-P.W.Board			<a href="#">Q801</a>	48-04929Z01	TR,KRC101S-RTK -CP
MAIN-P.W.Board			<a href="#">Q804</a>	48-02302Z01	TR,XP0331100L -CP
MAIN-P.W.Board			<a href="#">Q805</a>	48-02302Z02	TR,XP0331200L -CP
MAIN-P.W.Board			<a href="#">Q806</a>	48-04929Z03	TR,KRC103S-RTK -CP
MAIN-P.W.Board			<a href="#">Q807</a>	48-08602Z01	TR,2SA2071-Q-T100-E2
MAIN-P.W.Board			<a href="#">Q808</a>	48-04929Z05	TR,KRC105S-RTK -CP
MAIN-P.W.Board			<a href="#">Q809</a>	48T73023F01	TR ,2SD874A -E2
MAIN-P.W.Board			<a href="#">Q810</a>	48-02302Z01	TR,XP0331100L -CP
MAIN-P.W.Board			<a href="#">Q811</a>	48-12536Z02	TR,XP0121200-L -CP
MAIN-P.W.Board			<a href="#">Q812</a>	48-09583Z04	TR,KTA1504S-GRRTK-CP
MAIN-P.W.Board			<a href="#">Q813</a>	48-04929Z01	TR,KRC101S-RTK -CP
MAIN-P.W.Board			<a href="#">R001</a>	06S70072F05	RES,CP .10R-J-1/4-CP
MAIN-P.W.Board			<a href="#">R002</a>	06S70072F78	RES,CP .2R2-J-1/4-CP
MAIN-P.W.Board			<a href="#">R003</a>	06S45674W19	RES,RK 27RJ 1/10 -CP
MAIN-P.W.Board			<a href="#">R004</a>	06S45674W19	RES,RK 27RJ 1/10 -CP
MAIN-P.W.Board			<a href="#">R005</a>	06S45674W93	RES,RK 333J 1/10 -CP
MAIN-P.W.Board		\$1	<a href="#">R011</a>	06S45675W43	RES,RK JUMPER1/10-CP
MAIN-P.W.Board		%1	<a href="#">R011</a>	06S45675W43	RES,RK JUMPER1/10-CP
MAIN-P.W.Board		#1	<a href="#">R016</a>	06S55361Y98	RES,RK 243J 1/4 -CP
MAIN-P.W.Board		&1	<a href="#">R016</a>	06S55361Y98	RES,RK 243J 1/4 -CP
MAIN-P.W.Board		#1	<a href="#">R017</a>	06S70072F61	RES,CP .222-J-1/4-CP
MAIN-P.W.Board		&1	<a href="#">R017</a>	06S70072F61	RES,CP .222-J-1/4-CP
MAIN-P.W.Board		#1	<a href="#">R018</a>	06S70072F61	RES,CP .222-J-1/4-CP
MAIN-P.W.Board		&1	<a href="#">R018</a>	06S70072F61	RES,CP .222-J-1/4-CP
MAIN-P.W.Board			<a href="#">R100</a>	06S45674W89	RES,RK 223J 1/10 -CP
MAIN-P.W.Board			<a href="#">R104</a>	06S45674W97	RES,RK 473J 1/10 -CP
MAIN-P.W.Board			<a href="#">R105</a>	06S45674W89	RES,RK 223J 1/10 -CP
MAIN-P.W.Board			<a href="#">R106</a>	06S45674W89	RES,RK 223J 1/10 -CP
MAIN-P.W.Board			<a href="#">R107</a>	06S45674W89	RES,RK 223J 1/10 -CP
MAIN-P.W.Board			<a href="#">R108</a>	06S45674W89	RES,RK 223J 1/10 -CP
MAIN-P.W.Board			<a href="#">R109</a>	06S45674W89	RES,RK 223J 1/10 -CP
MAIN-P.W.Board			<a href="#">R111</a>	06S55366Y12	RES,RK 823J 1/10 -CP
MAIN-P.W.Board			<a href="#">R112</a>	06S45674W89	RES,RK 223J 1/10 -CP
MAIN-P.W.Board			<a href="#">R115</a>	06S45674W97	RES,RK 473J 1/10 -CP
MAIN-P.W.Board			<a href="#">R116</a>	06S45674W89	RES,RK 223J 1/10 -CP
MAIN-P.W.Board			<a href="#">R118</a>	06S45674W97	RES,RK 473J 1/10 -CP
MAIN-P.W.Board			<a href="#">R200</a>	06S55365Y59	RES,RK 561J 1/10 -CP
MAIN-P.W.Board			<a href="#">R201</a>	06S35083Y45	RES,RK 473F 1/4 -CP
MAIN-P.W.Board			<a href="#">R202</a>	06S35083Y45	RES,RK 473F 1/4 -CP
MAIN-P.W.Board			<a href="#">R203</a>	06S35083Y45	RES,RK 473F 1/4 -CP
MAIN-P.W.Board			<a href="#">R204</a>	06S64995F29	RES,RK 101J 1/8 -CP
MAIN-P.W.Board			<a href="#">R205</a>	06S64995F29	RES,RK 101J 1/8 -CP
MAIN-P.W.Board			<a href="#">R206</a>	06S64995F29	RES,RK 101J 1/8 -CP
MAIN-P.W.Board			<a href="#">R207</a>	06S64995F29	RES,RK 101J 1/8 -CP
MAIN-P.W.Board			<a href="#">R208</a>	06S45675W43	RES,RK JUMPER1/10-CP

Mark Model Code

#1 CDA-105 Only,

\$1 CDA-105E(General Foreign) Only,

%1 CDA-105E(Chinese) Only,

&1 CDA-105L Only,

Others:Common.

NOTE:The part that has not PART NUMBER will not be supplied.

P.W.Board	MIS	MODEL	Ref.	Parts No.	Parts Name
MAIN-P.W.Board			<a href="#">R211</a>	06S55365Y59	RES,RK 561J 1/10 -CP
MAIN-P.W.Board			<a href="#">R212</a>	06S45674W33	RES,RK 101J 1/10 -CP
MAIN-P.W.Board			<a href="#">R302</a>	06S45674W81	RES,RK 103J 1/10 -CP
MAIN-P.W.Board			<a href="#">R303</a>	06S55362Y06	RES,RK 473J 1/4 -CP
MAIN-P.W.Board			<a href="#">R304</a>	06S70072F29	RES,CP .101-J-1/4-CP
MAIN-P.W.Board			<a href="#">R306</a>	06S45674W85	RES,RK 153J 1/10 -CP
MAIN-P.W.Board			<a href="#">R308</a>	06S45674W41	RES,RK 221J 1/10 -CP
MAIN-P.W.Board			<a href="#">R309</a>	06S45674W81	RES,RK 103J 1/10 -CP
MAIN-P.W.Board			<a href="#">R328</a>	06S45675W02	RES,RK 683J 1/10 -CP
MAIN-P.W.Board			<a href="#">R329</a>	06S45675W02	RES,RK 683J 1/10 -CP
MAIN-P.W.Board			<a href="#">R330</a>	06S45675W02	RES,RK 683J 1/10 -CP
MAIN-P.W.Board			<a href="#">R331</a>	06S45675W02	RES,RK 683J 1/10 -CP
MAIN-P.W.Board			<a href="#">R332</a>	06S45675W02	RES,RK 683J 1/10 -CP
MAIN-P.W.Board			<a href="#">R333</a>	06S45675W02	RES,RK 683J 1/10 -CP
MAIN-P.W.Board			<a href="#">R334</a>	06S64995F37	RES,RK 221J 1/8 -CP
MAIN-P.W.Board			<a href="#">R335</a>	06S64995F37	RES,RK 221J 1/8 -CP
MAIN-P.W.Board			<a href="#">R336</a>	06S64995F37	RES,RK 221J 1/8 -CP
MAIN-P.W.Board			<a href="#">R337</a>	06S64995F37	RES,RK 221J 1/8 -CP
MAIN-P.W.Board			<a href="#">R338</a>	06S64995F37	RES,RK 221J 1/8 -CP
MAIN-P.W.Board			<a href="#">R339</a>	06S64995F37	RES,RK 221J 1/8 -CP
MAIN-P.W.Board			<a href="#">R340</a>	06S64995F26	RES,RK 75RJ 1/8 -CP
MAIN-P.W.Board			<a href="#">R341</a>	06S64995F26	RES,RK 75RJ 1/8 -CP
MAIN-P.W.Board			<a href="#">R342</a>	06S64995F26	RES,RK 75RJ 1/8 -CP
MAIN-P.W.Board			<a href="#">R343</a>	06S64995F26	RES,RK 75RJ 1/8 -CP
MAIN-P.W.Board			<a href="#">R344</a>	06S64995F26	RES,RK 75RJ 1/8 -CP
MAIN-P.W.Board			<a href="#">R345</a>	06S64995F26	RES,RK 75RJ 1/8 -CP
MAIN-P.W.Board			<a href="#">R5001</a>	06S55365Y81	RES,RK 472J 1/10 -CP
MAIN-P.W.Board			<a href="#">R5002</a>	06S55365Y90	RES,RK 113J 1/10 -CP
MAIN-P.W.Board			<a href="#">R5005</a>	06S55361Y65	RES,RK 102J 1/4 -CP
MAIN-P.W.Board			<a href="#">R5006</a>	06S55361Y65	RES,RK 102J 1/4 -CP
MAIN-P.W.Board			<a href="#">R5009</a>	06S55366Y06	RES,RK 473J 1/10 -CP
MAIN-P.W.Board			<a href="#">R501</a>	06S45674W75	RES,RK 562J 1/10 -CP
MAIN-P.W.Board			<a href="#">R5017</a>	06S55365Y97	RES,RK 223J 1/10 -CP
MAIN-P.W.Board			<a href="#">R5018</a>	06S55361Y65	RES,RK 102J 1/4 -CP
MAIN-P.W.Board			<a href="#">R5019</a>	06S55361Y65	RES,RK 102J 1/4 -CP
MAIN-P.W.Board			<a href="#">R502</a>	06S45674W75	RES,RK 562J 1/10 -CP
MAIN-P.W.Board			<a href="#">R5020</a>	06S55361Y65	RES,RK 102J 1/4 -CP
MAIN-P.W.Board			<a href="#">R503</a>	06S45674W89	RES,RK 223J 1/10 -CP
MAIN-P.W.Board			<a href="#">R505</a>	06S45674W97	RES,RK 473J 1/10 -CP
MAIN-P.W.Board			<a href="#">R508</a>	06S45674W75	RES,RK 562J 1/10 -CP
MAIN-P.W.Board			<a href="#">R509</a>	06S45674W57	RES,RK 102J 1/10 -CP
MAIN-P.W.Board			<a href="#">R510</a>	06S64995F53	RES,RK 102J 1/8 -CP
MAIN-P.W.Board			<a href="#">R512</a>	06S45674W33	RES,RK 101J 1/10 -CP
MAIN-P.W.Board			<a href="#">R513</a>	06S64995F53	RES,RK 102J 1/8 -CP
MAIN-P.W.Board			<a href="#">R514</a>	06S45674W57	RES,RK 102J 1/10 -CP

Mark Model Code

#1 CDA-105 Only,

\$1 CDA-105E(General Foreign) Only,

%1 CDA-105E(Chinese) Only,

&1 CDA-105L Only,

Others:Common.

NOTE:The part that has not PART NUMBER will not be supplied.

P.W.Board	MIS	MODEL	Ref.	Parts No.	Parts Name
MAIN-P.W.Board			<a href="#">R515</a>	06S45674W81	RES,RK 103J 1/10 -CP
MAIN-P.W.Board			<a href="#">R516</a>	06S45675W22	RES,RK 474J 1/10 -CP
MAIN-P.W.Board			<a href="#">R518</a>	06S45674W89	RES,RK 223J 1/10 -CP
MAIN-P.W.Board			<a href="#">R519</a>	06S45674W81	RES,RK 103J 1/10 -CP
MAIN-P.W.Board			<a href="#">R520</a>	06S45674W97	RES,RK 473J 1/10 -CP
MAIN-P.W.Board			<a href="#">R521</a>	06S45674W97	RES,RK 473J 1/10 -CP
MAIN-P.W.Board			<a href="#">R522</a>	06S45674W57	RES,RK 102J 1/10 -CP
MAIN-P.W.Board			<a href="#">R523</a>	06S45674W97	RES,RK 473J 1/10 -CP
MAIN-P.W.Board			<a href="#">R524</a>	06S45674W33	RES,RK 101J 1/10 -CP
MAIN-P.W.Board			<a href="#">R525</a>	06S64995F53	RES,RK 102J 1/8 -CP
MAIN-P.W.Board			<a href="#">R526</a>	06S45674W89	RES,RK 223J 1/10 -CP
MAIN-P.W.Board			<a href="#">R527</a>	06S45674W89	RES,RK 223J 1/10 -CP
MAIN-P.W.Board			<a href="#">R528</a>	06S45674W33	RES,RK 101J 1/10 -CP
MAIN-P.W.Board			<a href="#">R529</a>	06S45674W33	RES,RK 101J 1/10 -CP
MAIN-P.W.Board			<a href="#">R530</a>	06S45674W57	RES,RK 102J 1/10 -CP
MAIN-P.W.Board			<a href="#">R531</a>	06S45674W57	RES,RK 102J 1/10 -CP
MAIN-P.W.Board			<a href="#">R532</a>	06S45674W89	RES,RK 223J 1/10 -CP
MAIN-P.W.Board			<a href="#">R533</a>	06S45674W67	RES,RK 272J 1/10 -CP
MAIN-P.W.Board			<a href="#">R534</a>	06S45674W81	RES,RK 103J 1/10 -CP
MAIN-P.W.Board			<a href="#">R535</a>	06S15593Y83	RES,RK 273F 1/10 -CP
MAIN-P.W.Board			<a href="#">R536</a>	06S64995F53	RES,RK 102J 1/8 -CP
MAIN-P.W.Board			<a href="#">R537</a>	06S45674W57	RES,RK 102J 1/10 -CP
MAIN-P.W.Board			<a href="#">R538</a>	06S15593Y63	RES,RK 392F 1/10 -CP
MAIN-P.W.Board			<a href="#">R539</a>	06S64995F53	RES,RK 102J 1/8 -CP
MAIN-P.W.Board			<a href="#">R540</a>	06S64995F53	RES,RK 102J 1/8 -CP
MAIN-P.W.Board			<a href="#">R541</a>	06S64995F53	RES,RK 102J 1/8 -CP
MAIN-P.W.Board			<a href="#">R542</a>	06S45674W81	RES,RK 103J 1/10 -CP
MAIN-P.W.Board			<a href="#">R543</a>	06S64995F53	RES,RK 102J 1/8 -CP
MAIN-P.W.Board			<a href="#">R544</a>	06S64995F53	RES,RK 102J 1/8 -CP
MAIN-P.W.Board			<a href="#">R545</a>	06S64995F53	RES,RK 102J 1/8 -CP
MAIN-P.W.Board			<a href="#">R546</a>	06S64995F53	RES,RK 102J 1/8 -CP
MAIN-P.W.Board			<a href="#">R547</a>	06S55365Y97	RES,RK 223J 1/10 -CP
MAIN-P.W.Board			<a href="#">R548</a>	06S55363Y97	RES,RK 223J 1/8 -CP
MAIN-P.W.Board			<a href="#">R549</a>	06S45674W89	RES,RK 223J 1/10 -CP
MAIN-P.W.Board			<a href="#">R550</a>	06S64995F53	RES,RK 102J 1/8 -CP
MAIN-P.W.Board			<a href="#">R551</a>	06S45674W57	RES,RK 102J 1/10 -CP
MAIN-P.W.Board			<a href="#">R552</a>	06S45674W89	RES,RK 223J 1/10 -CP
MAIN-P.W.Board			<a href="#">R553</a>	06S45674W77	RES,RK 682J 1/10 -CP
MAIN-P.W.Board			<a href="#">R554</a>	06S45674W81	RES,RK 103J 1/10 -CP
MAIN-P.W.Board			<a href="#">R555</a>	06S45674W81	RES,RK 103J 1/10 -CP
MAIN-P.W.Board			<a href="#">R556</a>	06S45674W73	RES,RK 472J 1/10 -CP
MAIN-P.W.Board			<a href="#">R557</a>	06S45674W77	RES,RK 682J 1/10 -CP
MAIN-P.W.Board			<a href="#">R558</a>	06S45674W59	RES,RK 122J 1/10 -CP
MAIN-P.W.Board			<a href="#">R559</a>	06S45674W81	RES,RK 103J 1/10 -CP
MAIN-P.W.Board			<a href="#">R560</a>	06S45674W81	RES,RK 103J 1/10 -CP

Mark Model Code

#1 CDA-105 Only,

\$1 CDA-105E(General Foreign) Only,

%1 CDA-105E(Chinese) Only,

&1 CDA-105L Only,

Others:Common.

NOTE:The part that has not PART NUMBER will not be supplied.

P.W.Board	MIS	MODEL	Ref.	Parts No.	Parts Name
MAIN-P.W.Board			<a href="#">R561</a>	06S70072F19	RES,CP .39R-J-1/4-CP
MAIN-P.W.Board			<a href="#">R562</a>	06S70072F19	RES,CP .39R-J-1/4-CP
MAIN-P.W.Board			<a href="#">R563</a>	06S70072F19	RES,CP .39R-J-1/4-CP
MAIN-P.W.Board			<a href="#">R564</a>	06S70072F05	RES,CP .10R-J-1/4-CP
MAIN-P.W.Board			<a href="#">R565</a>	06S70072F19	RES,CP .39R-J-1/4-CP
MAIN-P.W.Board			<a href="#">R566</a>	06S45674W65	RES,RK 222J 1/10 -CP
MAIN-P.W.Board			<a href="#">R567</a>	06S45674W61	RES,RK 152J 1/10 -CP
MAIN-P.W.Board			<a href="#">R568</a>	06S45674W61	RES,RK 152J 1/10 -CP
MAIN-P.W.Board			<a href="#">R569</a>	06S45674W65	RES,RK 222J 1/10 -CP
MAIN-P.W.Board			<a href="#">R575</a>	06S55363Y89	RES,RK 103J 1/8 -CP
MAIN-P.W.Board			<a href="#">R576</a>	06S45674W33	RES,RK 101J 1/10 -CP
MAIN-P.W.Board			<a href="#">R577</a>	06S45674W33	RES,RK 101J 1/10 -CP
MAIN-P.W.Board			<a href="#">R578</a>	06S45674W33	RES,RK 101J 1/10 -CP
MAIN-P.W.Board			<a href="#">R579</a>	06S45674W33	RES,RK 101J 1/10 -CP
MAIN-P.W.Board			<a href="#">R580</a>	06S45674W33	RES,RK 101J 1/10 -CP
MAIN-P.W.Board			<a href="#">R581</a>	06S45674W33	RES,RK 101J 1/10 -CP
MAIN-P.W.Board			<a href="#">R582</a>	06S45674W75	RES,RK 562J 1/10 -CP
MAIN-P.W.Board			<a href="#">R583</a>	06S45674W97	RES,RK 473J 1/10 -CP
MAIN-P.W.Board			<a href="#">R586</a>	06S15593Y97	RES,RK 104F 1/10 -CP
MAIN-P.W.Board			<a href="#">R588</a>	06S45674W33	RES,RK 101J 1/10 -CP
MAIN-P.W.Board			<a href="#">R589</a>	06S45674W33	RES,RK 101J 1/10 -CP
MAIN-P.W.Board			<a href="#">R597</a>	06S45674W97	RES,RK 473J 1/10 -CP
MAIN-P.W.Board			<a href="#">R601</a>	06S45674W57	RES,RK 102J 1/10 -CP
MAIN-P.W.Board			<a href="#">R603</a>	06S45674W97	RES,RK 473J 1/10 -CP
MAIN-P.W.Board			<a href="#">R604</a>	06S70072F77	RES,CP .103-J-1/4-CP
MAIN-P.W.Board			<a href="#">R605</a>	06S45674W81	RES,RK 103J 1/10 -CP
MAIN-P.W.Board			<a href="#">R606</a>	06S70072F77	RES,CP .103-J-1/4-CP
MAIN-P.W.Board			<a href="#">R619</a>	06S55366Y14	RES,RK 104J 1/10 -CP
MAIN-P.W.Board			<a href="#">R620</a>	06S55361Y62	RES,RK 751J 1/4 -CP
MAIN-P.W.Board			<a href="#">R641</a>	06S45675W22	RES,RK 474J 1/10 -CP
MAIN-P.W.Board			<a href="#">R642</a>	06S45674W89	RES,RK 223J 1/10 -CP
MAIN-P.W.Board			<a href="#">R643</a>	06S70072F29	RES,CP .101-J-1/4-CP
MAIN-P.W.Board			<a href="#">R644</a>	06S45674W65	RES,RK 222J 1/10 -CP
MAIN-P.W.Board			<a href="#">R645</a>	06S45674W69	RES,RK 332J 1/10 -CP
MAIN-P.W.Board			<a href="#">R646</a>	06S45674W89	RES,RK 223J 1/10 -CP
MAIN-P.W.Board			<a href="#">R647</a>	06S45674W57	RES,RK 102J 1/10 -CP
MAIN-P.W.Board			<a href="#">R701</a>	06S45674W97	RES,RK 473J 1/10 -CP
MAIN-P.W.Board			<a href="#">R707</a>	06S45674W97	RES,RK 473J 1/10 -CP
MAIN-P.W.Board			<a href="#">R708</a>	06S55365Y66	RES,RK 112J 1/10 -CP
MAIN-P.W.Board			<a href="#">R709</a>	06S55365Y66	RES,RK 112J 1/10 -CP
MAIN-P.W.Board			<a href="#">R710</a>	06S55365Y66	RES,RK 112J 1/10 -CP
MAIN-P.W.Board			<a href="#">R711</a>	06S55365Y66	RES,RK 112J 1/10 -CP
MAIN-P.W.Board			<a href="#">R712</a>	06S15593Y69	RES,RK 682F 1/10 -CP
MAIN-P.W.Board			<a href="#">R713</a>	06S15593Y69	RES,RK 682F 1/10 -CP
MAIN-P.W.Board			<a href="#">R717</a>	06S15593Y81	RES,RK 223F 1/10 -CP

Mark Model Code

- #1 CDA-105 Only,
- \$1 CDA-105E(General Foreign) Only,
- %1 CDA-105E(Chinese) Only,
- &1 CDA-105L Only,

Others:Common.

NOTE:The part that has not PART NUMBER will not be supplied.

P.W.Board	MIS	MODEL	Ref.	Parts No.	Parts Name
MAIN-P.W.Board			<a href="#">R718</a>	06S15593Y81	RES,RK 223F 1/10 -CP
MAIN-P.W.Board			<a href="#">R719</a>	06S15593Y81	RES,RK 223F 1/10 -CP
MAIN-P.W.Board			<a href="#">R720</a>	06S15593Y81	RES,RK 223F 1/10 -CP
MAIN-P.W.Board			<a href="#">R721</a>	06S15593Y81	RES,RK 223F 1/10 -CP
MAIN-P.W.Board			<a href="#">R722</a>	06S15593Y81	RES,RK 223F 1/10 -CP
MAIN-P.W.Board			<a href="#">R723</a>	06S15593Y81	RES,RK 223F 1/10 -CP
MAIN-P.W.Board			<a href="#">R724</a>	06S15593Y81	RES,RK 223F 1/10 -CP
MAIN-P.W.Board			<a href="#">R725</a>	06S15593Y81	RES,RK 223F 1/10 -CP
MAIN-P.W.Board			<a href="#">R726</a>	06S15593Y81	RES,RK 223F 1/10 -CP
MAIN-P.W.Board			<a href="#">R727</a>	06S15593Y81	RES,RK 223F 1/10 -CP
MAIN-P.W.Board			<a href="#">R728</a>	06S15593Y81	RES,RK 223F 1/10 -CP
MAIN-P.W.Board			<a href="#">R729</a>	06S15593Y81	RES,RK 223F 1/10 -CP
MAIN-P.W.Board			<a href="#">R730</a>	06S15593Y81	RES,RK 223F 1/10 -CP
MAIN-P.W.Board			<a href="#">R731</a>	06S15593Y81	RES,RK 223F 1/10 -CP
MAIN-P.W.Board			<a href="#">R732</a>	06S15593Y81	RES,RK 223F 1/10 -CP
MAIN-P.W.Board			<a href="#">R753</a>	06S45674W97	RES,RK 473J 1/10 -CP
MAIN-P.W.Board			<a href="#">R800</a>	06S35083Y16	RES,RK 181F 1/4 -CP
MAIN-P.W.Board			<a href="#">R801</a>	06S70072F77	RES,CP .103-J-1/4-CP
MAIN-P.W.Board			<a href="#">R802</a>	06S55365Y78	RES,RK 362J 1/10 -CP
MAIN-P.W.Board			<a href="#">R803</a>	06S55365Y78	RES,RK 362J 1/10 -CP
MAIN-P.W.Board			<a href="#">R805</a>	06S55361Y70	RES,RK 162J 1/4 -CP
MAIN-P.W.Board			<a href="#">R806</a>	06S35095Y16	RES,RK 303J 1/4 -CP
MAIN-P.W.Board			<a href="#">R807</a>	06S55361Y74	RES,RK 242J 1/4 -CP
MAIN-P.W.Board			<a href="#">R808</a>	06S55361Y82	RES,RK 512J 1/4 -CP
MAIN-P.W.Board			<a href="#">R809</a>	06S55361Y70	RES,RK 162J 1/4 -CP
MAIN-P.W.Board			<a href="#">R810</a>	06S55361Y70	RES,RK 162J 1/4 -CP
MAIN-P.W.Board			<a href="#">R811</a>	06S55361Y70	RES,RK 162J 1/4 -CP
MAIN-P.W.Board			<a href="#">R815</a>	06S35083Y42	RES,RK 273F 1/4 -CP
MAIN-P.W.Board			<a href="#">R816</a>	06S35083Y45	RES,RK 473F 1/4 -CP
MAIN-P.W.Board			<a href="#">R818</a>	06S55365Y98	RES,RK 243J 1/10 -CP
MAIN-P.W.Board			<a href="#">R819</a>	06S55361Y70	RES,RK 162J 1/4 -CP
MAIN-P.W.Board			<a href="#">R820</a>	06S55361Y01	RES,RK 2R2J 1/4 -CP
MAIN-P.W.Board			<a href="#">R821</a>	06S35083Y16	RES,RK 181F 1/4 -CP
MAIN-P.W.Board			<a href="#">R822</a>	06S35083Y16	RES,RK 181F 1/4 -CP
MAIN-P.W.Board			<a href="#">R823</a>	06S70072F39	RES,CP .271-J-1/4-CP
MAIN-P.W.Board			<a href="#">R824</a>	06S70072F39	RES,CP .271-J-1/4-CP
MAIN-P.W.Board			<a href="#">R825</a>	06S15593Y90	RES,RK 513F 1/10 -CP
MAIN-P.W.Board			<a href="#">R826</a>	06S15593Y76	RES,RK 133F 1/10 -CP
MAIN-P.W.Board			<a href="#">R829</a>	06S15593Y49	RES,RK 102F 1/10 -CP
MAIN-P.W.Board			<a href="#">R830</a>	06S15593Y57	RES,RK 222F 1/10 -CP
MAIN-P.W.Board			<a href="#">R831</a>	06S15593Y96	RES,RK 913F 1/10 -CP
MAIN-P.W.Board			<a href="#">R832</a>	06S15593Y93	RES,RK 683F 1/10 -CP
MAIN-P.W.Board			<a href="#">R833</a>	06S15593Y89	RES,RK 473F 1/10 -CP
MAIN-P.W.Board			<a href="#">R835</a>	06S55361Y65	RES,RK 102J 1/4 -CP
MAIN-P.W.Board			<a href="#">R837</a>	06S15615Y13	RES,RK 33RJ 1/16 -CP

Mark Model Code

#1 CDA-105 Only,

\$1 CDA-105E(General Foreign) Only,

%1 CDA-105E(Chinese) Only,

&1 CDA-105L Only,

Others:Common.

NOTE:The part that has not PART NUMBER will not be supplied.

P.W.Board	MIS	MODEL	Ref.	Parts No.	Parts Name
MAIN-P.W.Board			<a href="#">R838</a>	06S45674W65	RES,RK 222J 1/10 -CP
MAIN-P.W.Board			<a href="#">R839</a>	06S45674W81	RES,RK 103J 1/10 -CP
MAIN-P.W.Board			<a href="#">R842</a>	06S55366Y14	RES,RK 104J 1/10 -CP
MAIN-P.W.Board			<a href="#">R843</a>	06S55366Y14	RES,RK 104J 1/10 -CP
MAIN-P.W.Board			<a href="#">R844</a>	06S55361Y51	RES,RK 271J 1/4 -CP
MAIN-P.W.Board			<a href="#">R846</a>	06S15594Y10	RES,RK 334F 1/10 -CP
MAIN-P.W.Board			<a href="#">SA001</a>	48-00954Z01	VST,CSA30C201M-T -CP
MAIN-P.W.Board			<a href="#">SD800</a>	48-13903Z01	DIO,SHT RB055L-40-E1
MAIN-P.W.Board			<a href="#">SW501</a>	40T16096W03	SW ,TACT SKHHLW
MAIN-P.W.Board			<a href="#">SW700</a>	40T15452Y01	SW,SLIDE SLD-62-724X
MAIN-P.W.Board			<a href="#">SW701</a>	40T15452Y01	SW,SLIDE SLD-62-724X
MAIN-P.W.Board			<a href="#">TU001</a>	TU-00887Z03	TUNER,MX-A210
MAIN-P.W.Board			<a href="#">VR800</a>	18T25282Y28	VAR,EVM3VSX50 104-CP
MAIN-P.W.Board			<a href="#">VT001</a>	24T35286Y02	IND,MG56 332J -DB
MAIN-P.W.Board			<a href="#">XL500</a>	91T95554W03	XTL,CM200S 32.76K-E5
MAIN-P.W.Board			<a href="#">XL501</a>	91T95554W03	XTL,CM200S 32.76K-E5
MAIN-P.W.Board			<a href="#">XL502</a>	91-11385Z04	XTL,XI 6.000M -R5
MAIN-P.W.Board			<a href="#">Z502</a>	91T65112W06	EMI,BK2125HM102 -CP
MAIN-P.W.Board			<a href="#">ZD602</a>	48-11191Z40	DIO,ZEN MAZ8100GL-CP
MAIN-P.W.Board			<a href="#">ZD801</a>	48-11191Z26	DIO,ZEN MAZ8062GM-CP
MAIN-P.W.Board			<a href="#">ZD802</a>	48-02592Z01	DIO,ZEN Z5W27VJ -EA
MAIN-P.W.Board			<a href="#">ZD803</a>	48T15541Y10	DIO,ZEN MAZS056 -CP
MAIN-P.W.Board			<a href="#">ZD804</a>	48-11191Z49	DIO,ZEN MAZ8130GL-CP
MAIN-P.W.Board			<a href="#">ZD805</a>	48T15541Y10	DIO,ZEN MAZS056 -CP
FRONT-P.W.Board			<a href="#">C400</a>	08T81833F07	CAP,CER 105K-B1C -CP
FRONT-P.W.Board			<a href="#">C401</a>	08S35349Y05	CAP,CER 681K-B1H -CP
FRONT-P.W.Board			<a href="#">C402</a>	08S45677W60	CAP,CER 102J-CH1H-CP
FRONT-P.W.Board			<a href="#">C403</a>	08S45676W89	CAP,CER 473K-B1E -CP
FRONT-P.W.Board			<a href="#">C404</a>	08S45676W89	CAP,CER 473K-B1E -CP
FRONT-P.W.Board			<a href="#">C405</a>	08S45676W80	CAP,CER 223K-B1E -CP
FRONT-P.W.Board			<a href="#">C406</a>	08S45676W89	CAP,CER 473K-B1E -CP
FRONT-P.W.Board			<a href="#">C407</a>	08S45676W89	CAP,CER 473K-B1E -CP
FRONT-P.W.Board			<a href="#">C408</a>	08S45676W89	CAP,CER 473K-B1E -CP
FRONT-P.W.Board			<a href="#">C409</a>	08S45676W80	CAP,CER 223K-B1E -CP
FRONT-P.W.Board			<a href="#">C411</a>	08S65676Y02	CAP,CER 475KX7R1A-CP
FRONT-P.W.Board			<a href="#">C412</a>	08S45676W80	CAP,CER 223K-B1E -CP
FRONT-P.W.Board			<a href="#">C413</a>	08S45676W85	CAP,CER 104K-B1C -CP
FRONT-P.W.Board			<a href="#">C414</a>	08T81833F11	CAP,CER 225K-B1C -CP
FRONT-P.W.Board			<a href="#">C415</a>	08S45676W85	CAP,CER 104K-B1C -CP
FRONT-P.W.Board			<a href="#">C416</a>	08S35374W11	CAP,CER 475K-B0J -CP
FRONT-P.W.Board			<a href="#">C420</a>	08S45676W80	CAP,CER 223K-B1E -CP
FRONT-P.W.Board			<a href="#">C421</a>	08S45677W42	CAP,CER.181J-CH1H-CP
FRONT-P.W.Board			<a href="#">CB401</a>	09-04216Z01	BTB,DH16-P -B
FRONT-P.W.Board			<a href="#">D401</a>	48T81063F01	DIO,CP.MA159 / TX-CP
FRONT-P.W.Board			<a href="#">D403</a>	48T81063F01	DIO,CP.MA159 / TX-CP

Mark Model Code

#1 CDA-105 Only,


\$1 CDA-105E(General Foreign) Only,

%1 CDA-105E(Chinese) Only,

&1 CDA-105L Only,

Others:Common.

NOTE:The part that has not PART NUMBER will not be supplied.

P.W.Board	MIS	MODEL	Ref.	Parts No.	Parts Name
FRONT-P.W.Board			<a href="#">D404</a>	48-07015Z01	DIO,KDS160-RTK -CP
FRONT-P.W.Board			<a href="#">D406</a>	48T81063F01	DIO,CP.MA159 / TX-CP
FRONT-P.W.Board			<a href="#">D407</a>	48T94471F04	DIO,IMN10-T108 -CP
FRONT-P.W.Board			<a href="#">D408</a>	48T85357W01	DIO,IPS226 -CP
FRONT-P.W.Board			<a href="#">D409</a>	48-06707Z01	DIO,MA3J147-TX -CP
FRONT-P.W.Board			<a href="#">D410</a>	48-06707Z01	DIO,MA3J147-TX -CP
FRONT-P.W.Board			<a href="#">D411</a>	48-06707Z01	DIO,MA3J147-TX -CP
FRONT-P.W.Board			<a href="#">D412</a>	48-06707Z01	DIO,MA3J147-TX -CP
FRONT-P.W.Board			<a href="#">D413</a>	48-06707Z01	DIO,MA3J147-TX -CP
FRONT-P.W.Board			<a href="#">D414</a>	48-06707Z01	DIO,MA3J147-TX -CP
FRONT-P.W.Board			<a href="#">D415</a>	48-08551Z02	LED,ARY QB.L.031 -DB
FRONT-P.W.Board			<a href="#">D416</a>	48-06707Z01	DIO,MA3J147-TX -CP
FRONT-P.W.Board			<a href="#">D417</a>	48-06707Z01	DIO,MA3J147-TX -CP
FRONT-P.W.Board			<a href="#">D418</a>	48-06707Z01	DIO,MA3J147-TX -CP
FRONT-P.W.Board			<a href="#">IC401</a>	51-11746Z01	LC75878W-UALP-E -QT
FRONT-P.W.Board			<a href="#">IC402</a>	51-11888Z01	LC75857WH-UALP-E -QT
FRONT-P.W.Board			<a href="#">IC404</a>	51-11731Z01	RPMS2381-H19-E4A-NE5
FRONT-P.W.Board			<a href="#">LCD401</a>	65-14217Z01	LCD,TD0535BMM0TTN-F
FRONT-P.W.Board			<a href="#">LD407</a>	48-11414Z01	LED,RED KPT-1608S-CP
FRONT-P.W.Board			<a href="#">LD408</a>	48-11414Z01	LED,RED KPT-1608S-CP
FRONT-P.W.Board			<a href="#">LD409</a>	48-11414Z01	LED,RED KPT-1608S-CP
FRONT-P.W.Board			<a href="#">LD410</a>	48-11414Z01	LED,RED KPT-1608S-CP
FRONT-P.W.Board			<a href="#">LD411</a>	48-11414Z01	LED,RED KPT-1608S-CP
FRONT-P.W.Board			<a href="#">LD412</a>	48-11414Z01	LED,RED KPT-1608S-CP
FRONT-P.W.Board			<a href="#">LD413</a>	48-14200Z01	LED,BLU LNJ926W8C-CP
FRONT-P.W.Board			<a href="#">LD414</a>	48-14200Z01	LED,BLU LNJ926W8C-CP
FRONT-P.W.Board			<a href="#">LD417</a>	48-11414Z01	LED,RED KPT-1608S-CP
FRONT-P.W.Board			<a href="#">LD418</a>	48-11414Z01	LED,RED KPT-1608S-CP
FRONT-P.W.Board			<a href="#">LD419</a>	48-11414Z01	LED,RED KPT-1608S-CP
FRONT-P.W.Board			<a href="#">LD420</a>	48-11414Z01	LED,RED KPT-1608S-CP
FRONT-P.W.Board			<a href="#">LD421</a>	48-11414Z01	LED,RED KPT-1608S-CP
FRONT-P.W.Board			<a href="#">LD422</a>	48-11414Z01	LED,RED KPT-1608S-CP
FRONT-P.W.Board			<a href="#">LD423</a>	48-11414Z01	LED,RED KPT-1608S-CP
FRONT-P.W.Board			<a href="#">LD424</a>	48-11414Z01	LED,RED KPT-1608S-CP
FRONT-P.W.Board			<a href="#">LD425</a>	48-11414Z01	LED,RED KPT-1608S-CP
FRONT-P.W.Board			<a href="#">LD426</a>	48-11414Z01	LED,RED KPT-1608S-CP
FRONT-P.W.Board			<a href="#">LD427</a>	48-11414Z01	LED,RED KPT-1608S-CP
FRONT-P.W.Board			<a href="#">LD428</a>	48-11414Z01	LED,RED KPT-1608S-CP
FRONT-P.W.Board			<a href="#">LD429</a>	48-11414Z01	LED,RED KPT-1608S-CP
FRONT-P.W.Board			<a href="#">LD430</a>	48-11414Z01	LED,RED KPT-1608S-CP
FRONT-P.W.Board			<a href="#">LD432</a>	48-11414Z01	LED,RED KPT-1608S-CP
FRONT-P.W.Board			<a href="#">LD437</a>	48-11414Z01	LED,RED KPT-1608S-CP
FRONT-P.W.Board			<a href="#">LD459</a>	48-14200Z01	LED,BLU LNJ926W8C-CP
FRONT-P.W.Board			<a href="#">LD461</a>	48-11414Z01	LED,RED KPT-1608S-CP
FRONT-P.W.Board			<a href="#">Q402</a>	48T63788F04	TR,2SD1328-T-TX -CP

Mark Model Code

- #1 CDA-105 Only,
- \$1 CDA-105E(General Foreign) Only,
- %1 CDA-105E(Chinese) Only,
- &1 CDA-105L Only,

Others:Common.

NOTE:The part that has not PART NUMBER will not be supplied.

P.W.Board	MIS	MODEL	Ref.	Parts No.	Parts Name
FRONT-P.W.Board			<a href="#">Q404</a>	48-04929Z07	TR,KRC107S-RTK -CP
FRONT-P.W.Board			<a href="#">Q405</a>	48-04929Z07	TR,KRC107S-RTK -CP
FRONT-P.W.Board			<a href="#">Q406</a>	48-04929Z07	TR,KRC107S-RTK -CP
FRONT-P.W.Board			<a href="#">Q408</a>	48-11160Z01	TR,2SC5950G0L-TX -CP
FRONT-P.W.Board			<a href="#">Q409</a>	48-11160Z01	TR,2SC5950G0L-TX -CP
FRONT-P.W.Board			<a href="#">Q411</a>	48-02302Z01	TR,XP0331100L -CP
FRONT-P.W.Board			<a href="#">Q412</a>	48-02302Z02	TR,XP0331200L -CP
FRONT-P.W.Board			<a href="#">Q413</a>	48-11160Z01	TR,2SC5950G0L-TX -CP
FRONT-P.W.Board			<a href="#">Q416</a>	48T63788F04	TR,2SD1328-T-TX -CP
FRONT-P.W.Board			<a href="#">R400</a>	06S45674W57	RES,RK 102J 1/10 -CP
FRONT-P.W.Board			<a href="#">R403</a>	06S55361Y67	RES,RK 122J 1/4 -CP
FRONT-P.W.Board			<a href="#">R406</a>	06S45674W57	RES,RK 102J 1/10 -CP
FRONT-P.W.Board			<a href="#">R409</a>	06S55361Y69	RES,RK 152J 1/4 -CP
FRONT-P.W.Board			<a href="#">R410</a>	06S70072F53	RES,CP .102-J-1/4-CP
FRONT-P.W.Board			<a href="#">R411</a>	06S70072F45	RES,CP .471-J-1/4-CP
FRONT-P.W.Board			<a href="#">R412</a>	06S70072F59	RES,CP .182-J-1/4-CP
FRONT-P.W.Board			<a href="#">R413</a>	06S55361Y81	RES,RK 472J 1/4 -CP
FRONT-P.W.Board			<a href="#">R418</a>	06S45674W61	RES,RK 152J 1/10 -CP
FRONT-P.W.Board			<a href="#">R419</a>	06S55361Y70	RES,RK 162J 1/4 -CP
FRONT-P.W.Board			<a href="#">R420</a>	06S70072F61	RES,CP .222-J-1/4-CP
FRONT-P.W.Board			<a href="#">R421</a>	06S45674W73	RES,RK 472J 1/10 -CP
FRONT-P.W.Board			<a href="#">R423</a>	06S70072F53	RES,CP .102-J-1/4-CP
FRONT-P.W.Board			<a href="#">R425</a>	06S70072F69	RES,CP .472-J-1/4-CP
FRONT-P.W.Board			<a href="#">R426</a>	06S55366Y06	RES,RK 473J 1/10 -CP
FRONT-P.W.Board			<a href="#">R427</a>	06S64995F53	RES,RK 102J 1/8 -CP
FRONT-P.W.Board			<a href="#">R428</a>	06S45674W73	RES,RK 472J 1/10 -CP
FRONT-P.W.Board			<a href="#">R429</a>	06S55361Y51	RES,RK 271J 1/4 -CP
FRONT-P.W.Board			<a href="#">R430</a>	06S70072F50	RES,CP .751-J-1/4-CP
FRONT-P.W.Board			<a href="#">R431</a>	06S45674W73	RES,RK 472J 1/10 -CP
FRONT-P.W.Board			<a href="#">R436</a>	06S55361Y45	RES,RK 151J 1/4 -CP
FRONT-P.W.Board			<a href="#">R437</a>	06S45674W73	RES,RK 472J 1/10 -CP
FRONT-P.W.Board			<a href="#">R440</a>	06S55366Y05	RES,RK 433J 1/10 -CP
FRONT-P.W.Board			<a href="#">R441</a>	06S45674W73	RES,RK 472J 1/10 -CP
FRONT-P.W.Board			<a href="#">R442</a>	06S45674W73	RES,RK 472J 1/10 -CP
FRONT-P.W.Board			<a href="#">R443</a>	06S45674W73	RES,RK 472J 1/10 -CP
FRONT-P.W.Board			<a href="#">R445</a>	06S45674W93	RES,RK 333J 1/10 -CP
FRONT-P.W.Board			<a href="#">R446</a>	06S45674W73	RES,RK 472J 1/10 -CP
FRONT-P.W.Board			<a href="#">R447</a>	06S45674W73	RES,RK 472J 1/10 -CP
FRONT-P.W.Board			<a href="#">R448</a>	06S45674W73	RES,RK 472J 1/10 -CP
FRONT-P.W.Board			<a href="#">R449</a>	06S45674W73	RES,RK 472J 1/10 -CP
FRONT-P.W.Board			<a href="#">R451</a>	06S64995F53	RES,RK 102J 1/8 -CP
FRONT-P.W.Board			<a href="#">R452</a>	06S64995F53	RES,RK 102J 1/8 -CP
FRONT-P.W.Board			<a href="#">R453</a>	06S55361Y53	RES,RK 331J 1/4 -CP
FRONT-P.W.Board			<a href="#">R454</a>	06S15593Y49	RES,RK 102F 1/10 -CP
FRONT-P.W.Board			<a href="#">R457</a>	06S70072F67	RES,CP .392-J-1/4-CP

Mark Model Code

#1 CDA-105 Only,


\$1 CDA-105E(General Foreign) Only,

%1 CDA-105E(Chinese) Only,

&1 CDA-105L Only,

Others:Common.

NOTE:The part that has not PART NUMBER will not be supplied.

P.W.Board	MIS	MODEL	Ref.	Parts No.	Parts Name
FRONT-P.W.Board			<a href="#">R458</a>	06S55361Y57	RES,RK 471J 1/4 -CP
FRONT-P.W.Board			<a href="#">R459</a>	06S64995F53	RES,RK 102J 1/8 -CP
FRONT-P.W.Board			<a href="#">R460</a>	06S64995F53	RES,RK 102J 1/8 -CP
FRONT-P.W.Board			<a href="#">R461</a>	06S15593Y25	RES,RK 101F 1/10 -CP
FRONT-P.W.Board			<a href="#">R462</a>	06S64995F53	RES,RK 102J 1/8 -CP
FRONT-P.W.Board			<a href="#">R463</a>	06S64995F53	RES,RK 102J 1/8 -CP
FRONT-P.W.Board			<a href="#">R464</a>	06S64995F53	RES,RK 102J 1/8 -CP
FRONT-P.W.Board			<a href="#">R465</a>	06S64995F53	RES,RK 102J 1/8 -CP
FRONT-P.W.Board			<a href="#">R468</a>	06S55365Y73	RES,RK 222J 1/10 -CP
FRONT-P.W.Board			<a href="#">R470</a>	06S55361Y62	RES,RK 751J 1/4 -CP
FRONT-P.W.Board			<a href="#">R473</a>	06S45674W97	RES,RK 473J 1/10 -CP
FRONT-P.W.Board			<a href="#">R474</a>	06S45674W97	RES,RK 473J 1/10 -CP
FRONT-P.W.Board			<a href="#">R475</a>	06S45674W97	RES,RK 473J 1/10 -CP
FRONT-P.W.Board			<a href="#">R476</a>	06S45674W97	RES,RK 473J 1/10 -CP
FRONT-P.W.Board			<a href="#">R477</a>	06S15593Y49	RES,RK 102F 1/10 -CP
FRONT-P.W.Board			<a href="#">R478</a>	06S45674W97	RES,RK 473J 1/10 -CP
FRONT-P.W.Board		#1	<a href="#">R481</a>	06S55366Y39	RES,RK JUMPER1/10-CP
FRONT-P.W.Board		\$1	<a href="#">R483</a>	06S55366Y39	RES,RK JUMPER1/10-CP
FRONT-P.W.Board		%1	<a href="#">R484</a>	06S55366Y39	RES,RK JUMPER1/10-CP
FRONT-P.W.Board		&1	<a href="#">R485</a>	06S55366Y39	RES,RK JUMPER1/10-CP
FRONT-P.W.Board			<a href="#">R489</a>	06S70072F69	RES,CP .472-J-1/4-CP
FRONT-P.W.Board			<a href="#">R491</a>	06S55361Y89	RES,RK 103J 1/4 -CP
FRONT-P.W.Board			<a href="#">R492</a>	06S45674W57	RES,RK 102J 1/10 -CP
FRONT-P.W.Board			<a href="#">RA401</a>	06S45591W06	RES,ARY MNR102J 4-CP
FRONT-P.W.Board			<a href="#">RA402</a>	06S45591W06	RES,ARY MNR102J 4-CP
FRONT-P.W.Board			<a href="#">SW401</a>	40T65353Y01	SW,TACT SKRSPACE010E2
FRONT-P.W.Board			<a href="#">SW402</a>	40T65353Y01	SW,TACT SKRSPACE010E2
FRONT-P.W.Board			<a href="#">SW403</a>	40T65353Y01	SW,TACT SKRSPACE010E2
FRONT-P.W.Board			<a href="#">SW404</a>	40T65353Y01	SW,TACT SKRSPACE010E2
FRONT-P.W.Board			<a href="#">SW405</a>	40T65353Y01	SW,TACT SKRSPACE010E2
FRONT-P.W.Board			<a href="#">SW406</a>	40T65353Y01	SW,TACT SKRSPACE010E2
FRONT-P.W.Board			<a href="#">SW407</a>	40T65353Y01	SW,TACT SKRSPACE010E2
FRONT-P.W.Board			<a href="#">SW408</a>	40T65353Y01	SW,TACT SKRSPACE010E2
FRONT-P.W.Board			<a href="#">SW409</a>	40T65353Y01	SW,TACT SKRSPACE010E2
FRONT-P.W.Board			<a href="#">SW410</a>	40T65353Y01	SW,TACT SKRSPACE010E2
FRONT-P.W.Board			<a href="#">SW411</a>	40T65353Y01	SW,TACT SKRSPACE010E2
FRONT-P.W.Board			<a href="#">SW412</a>	40T65353Y01	SW,TACT SKRSPACE010E2
FRONT-P.W.Board			<a href="#">SW413</a>	40T65353Y01	SW,TACT SKRSPACE010E2
FRONT-P.W.Board			<a href="#">SW414</a>	40T65353Y01	SW,TACT SKRSPACE010E2
FRONT-P.W.Board			<a href="#">SW415</a>	40T65353Y01	SW,TACT SKRSPACE010E2
FRONT-P.W.Board			<a href="#">SW416</a>	40T65353Y01	SW,TACT SKRSPACE010E2
FRONT-P.W.Board			<a href="#">SW417</a>	40T65353Y01	SW,TACT SKRSPACE010E2
FRONT-P.W.Board			<a href="#">SW418</a>	40T65353Y01	SW,TACT SKRSPACE010E2
FRONT-P.W.Board			<a href="#">SW419</a>	40T65353Y01	SW,TACT SKRSPACE010E2
FRONT-P.W.Board			<a href="#">SW420</a>	40-10735Z02	ENC,EC12D1524405 -DB

Mark Model Code

- #1 CDA-105 Only,
- \$1 CDA-105E(General Foreign) Only,
- %1 CDA-105E(Chinese) Only,
- &1 CDA-105L Only,

Others:Common.

NOTE:The part that has not PART NUMBER will not be supplied.

P.W.Board	MIS	MODEL	Ref.	Parts No.	Parts Name
FRONT-P.W.Board			<a href="#">SW421</a>	40T65353Y01	SW,TACT SKRSPACE010E2
FRONT-P.W.Board			<a href="#">ZD402</a>	48-11191Z20	DIO,ZEN MAZ8051GM-CP
MECH-P.W.Board			<a href="#">C1010</a>	08S45232Y13	CAP,CER 223K-B1C -CP
MECH-P.W.Board			<a href="#">C1013</a>	08S45232Y08	CAP,CER 332K-B1H -CP
MECH-P.W.Board			<a href="#">C1016</a>	08S35349Y17	CAP,CER 225K-B0J -CP
MECH-P.W.Board			<a href="#">C1017</a>	08S45232Y05	CAP,CER 102K-B1H -CP
MECH-P.W.Board			<a href="#">C1104</a>	08S45232Y17	CAP,CER 104K-B0J -CP
MECH-P.W.Board			<a href="#">C1105</a>	08S45231Y21	CAP,CER 47RJ-CH1H-CP
MECH-P.W.Board			<a href="#">C1106</a>	08S45231Y21	CAP,CER 47RJ-CH1H-CP
MECH-P.W.Board			<a href="#">C1107</a>	08S45231Y21	CAP,CER 47RJ-CH1H-CP
MECH-P.W.Board			<a href="#">C1108</a>	08S45231Y21	CAP,CER 47RJ-CH1H-CP
MECH-P.W.Board			<a href="#">C1109</a>	08S45232Y17	CAP,CER 104K-B0J -CP
MECH-P.W.Board			<a href="#">C1116</a>	08S45232Y17	CAP,CER 104K-B0J -CP
MECH-P.W.Board			<a href="#">C1117</a>	08S45232Y17	CAP,CER 104K-B0J -CP
MECH-P.W.Board			<a href="#">C1119</a>	08S45231Y23	CAP,CER 68RJ-CH1H-CP
MECH-P.W.Board			<a href="#">C1121</a>	08S45232Y14	CAP,CER 333K-B1C -CP
MECH-P.W.Board			<a href="#">C1122</a>	08S45232Y14	CAP,CER 333K-B1C -CP
MECH-P.W.Board			<a href="#">C1123</a>	08S45232Y17	CAP,CER 104K-B0J -CP
MECH-P.W.Board			<a href="#">C1124</a>	08S45232Y17	CAP,CER 104K-B0J -CP
MECH-P.W.Board			<a href="#">C1125</a>	08S45231Y15	CAP,CER 15RJ-CH1H-CP
MECH-P.W.Board			<a href="#">C1126</a>	08S45231Y15	CAP,CER 15RJ-CH1H-CP
MECH-P.W.Board			<a href="#">C1128</a>	08S45232Y17	CAP,CER 104K-B0J -CP
MECH-P.W.Board			<a href="#">C1129</a>	08S45232Y07	CAP,CER 222K-B1H -CP
MECH-P.W.Board			<a href="#">C1130</a>	08S45232Y17	CAP,CER 104K-B0J -CP
MECH-P.W.Board			<a href="#">C1132</a>	08S45232Y17	CAP,CER 104K-B0J -CP
MECH-P.W.Board			<a href="#">C1133</a>	08S45232Y17	CAP,CER 104K-B0J -CP
MECH-P.W.Board			<a href="#">C1134</a>	08S45232Y17	CAP,CER 104K-B0J -CP
MECH-P.W.Board			<a href="#">C1136</a>	08S45232Y17	CAP,CER 104K-B0J -CP
MECH-P.W.Board			<a href="#">C1137</a>	08S45232Y17	CAP,CER 104K-B0J -CP
MECH-P.W.Board			<a href="#">C1138</a>	08S45232Y17	CAP,CER 104K-B0J -CP
MECH-P.W.Board			<a href="#">C1140</a>	08S45232Y14	CAP,CER 333K-B1C -CP
MECH-P.W.Board			<a href="#">C1141</a>	08S45232Y12	CAP,CER 153K-B1C -CP
MECH-P.W.Board			<a href="#">C1142</a>	08S45231Y19	CAP,CER 33RJ-CH1H-CP
MECH-P.W.Board			<a href="#">C1143</a>	08S45232Y17	CAP,CER 104K-B0J -CP
MECH-P.W.Board			<a href="#">C1144</a>	08S45232Y11	CAP,CER 103K-B1C -CP
MECH-P.W.Board			<a href="#">C1145</a>	08S45232Y11	CAP,CER 103K-B1C -CP
MECH-P.W.Board			<a href="#">C1146</a>	08S45232Y10	CAP,CER 682K-B1E -CP
MECH-P.W.Board			<a href="#">C1147</a>	08S45232Y11	CAP,CER 103K-B1C -CP
MECH-P.W.Board			<a href="#">C1148</a>	08S45232Y17	CAP,CER 104K-B0J -CP
MECH-P.W.Board			<a href="#">C1149</a>	08S45232Y12	CAP,CER 153K-B1C -CP
MECH-P.W.Board			<a href="#">C1150</a>	08S45232Y05	CAP,CER 102K-B1H -CP
MECH-P.W.Board			<a href="#">C1151</a>	08S45232Y17	CAP,CER 104K-B0J -CP
MECH-P.W.Board			<a href="#">C1152</a>	08S45232Y05	CAP,CER 102K-B1H -CP
MECH-P.W.Board			<a href="#">C1153</a>	08S45232Y17	CAP,CER 104K-B0J -CP
MECH-P.W.Board			<a href="#">C1154</a>	08S45232Y17	CAP,CER 104K-B0J -CP

Mark Model Code

#1 CDA-105 Only,

\$1 CDA-105E(General Foreign) Only,

%1 CDA-105E(Chinese) Only,

&1 CDA-105L Only,

Others:Common.

NOTE:The part that has not PART NUMBER will not be supplied.

P.W.Board	MIS	MODEL	Ref.	Parts No.	Parts Name
MECH-P.W.Board			<a href="#">C1156</a>	08S35374W12	CAP,CER 106K-B0J -CP
MECH-P.W.Board			<a href="#">C1201</a>	08S45232Y17	CAP,CER 104K-B0J -CP
MECH-P.W.Board			<a href="#">C1202</a>	08S45232Y05	CAP,CER 102K-B1H -CP
MECH-P.W.Board			<a href="#">C1203</a>	08S65668Y05	CAP,CER 224KX5R1A-CP
MECH-P.W.Board			<a href="#">C1204</a>	08S45232Y17	CAP,CER 104K-B0J -CP
MECH-P.W.Board			<a href="#">C1206</a>	08S35349Y17	CAP,CER 225K-B0J -CP
MECH-P.W.Board			<a href="#">C1207</a>	08S45231Y17	CAP,CER 22RJ-CH1H-CP
MECH-P.W.Board			<a href="#">C1208</a>	08S45231Y17	CAP,CER 22RJ-CH1H-CP
MECH-P.W.Board			<a href="#">C1209</a>	08S45232Y17	CAP,CER 104K-B0J -CP
MECH-P.W.Board			<a href="#">C1210</a>	08S45232Y17	CAP,CER 104K-B0J -CP
MECH-P.W.Board			<a href="#">C1211</a>	08S45231Y15	CAP,CER 15RJ-CH1H-CP
MECH-P.W.Board			<a href="#">C1212</a>	08S45231Y15	CAP,CER 15RJ-CH1H-CP
MECH-P.W.Board			<a href="#">C1215</a>	08S45231Y25	CAP,CER 101J-CH1H-CP
MECH-P.W.Board			<a href="#">C1216</a>	08S45676W80	CAP,CER 223K-B1E -CP
MECH-P.W.Board			<a href="#">C1217</a>	08S65667Y01	CAP,CER 224KX5R1C-CP
MECH-P.W.Board			<a href="#">C1218</a>	08S45232Y17	CAP,CER 104K-B0J -CP
MECH-P.W.Board			<a href="#">C1219</a>	08S45231Y25	CAP,CER 101J-CH1H-CP
MECH-P.W.Board			<a href="#">C1220</a>	08S45231Y25	CAP,CER 101J-CH1H-CP
MECH-P.W.Board			<a href="#">C1221</a>	08S45231Y25	CAP,CER 101J-CH1H-CP
MECH-P.W.Board			<a href="#">C1222</a>	08S45676W93	CAP,CER 224K-B1A -CP
MECH-P.W.Board			<a href="#">C1301</a>	08S45232Y06	CAP,CER 152K-B1H -CP
MECH-P.W.Board			<a href="#">C1302</a>	08S45231Y29	CAP,CER 221J-CH1H-CP
MECH-P.W.Board			<a href="#">C1303</a>	08S45676W85	CAP,CER 104K-B1C -CP
MECH-P.W.Board			<a href="#">C1304</a>	08S45676W85	CAP,CER 104K-B1C -CP
MECH-P.W.Board			<a href="#">C1305</a>	08S45676W85	CAP,CER 104K-B1C -CP
MECH-P.W.Board			<a href="#">C1306</a>	08S45231Y22	CAP,CER 56RJ-CH1H-CP
MECH-P.W.Board			<a href="#">C1307</a>	08S45231Y21	CAP,CER 47RJ-CH1H-CP
MECH-P.W.Board			<a href="#">C1311</a>	08S45676W66	CAP,CER.272K-B1H -CP
MECH-P.W.Board			<a href="#">C1312</a>	08S45676W75	CAP,CER.153K-B1H -CP
MECH-P.W.Board			<a href="#">C1313</a>	08S45232Y17	CAP,CER 104K-B0J -CP
MECH-P.W.Board			<a href="#">C1315</a>	08S45676W85	CAP,CER 104K-B1C -CP
MECH-P.W.Board			<a href="#">C1316</a>	08T81833F12	CAP,CER 106K-B1A -CP
MECH-P.W.Board			<a href="#">C1321</a>	08S45677W60	CAP,CER 102J-CH1H-CP
MECH-P.W.Board			<a href="#">C1322</a>	08S45677W60	CAP,CER 102J-CH1H-CP
MECH-P.W.Board			<a href="#">C1330</a>	08S35349Y17	CAP,CER 225K-B0J -CP
MECH-P.W.Board			<a href="#">C1602</a>	08S45232Y17	CAP,CER 104K-B0J -CP
MECH-P.W.Board			<a href="#">C1603</a>	08S45232Y17	CAP,CER 104K-B0J -CP
MECH-P.W.Board			<a href="#">C1604</a>	08S45232Y08	CAP,CER 332K-B1H -CP
MECH-P.W.Board			<a href="#">C1605</a>	08T65555Y01	CAP,CER 226K-BJ0J-CP
MECH-P.W.Board			<a href="#">C1610</a>	08S35374W11	CAP,CER 475K-B0J -CP
MECH-P.W.Board			<a href="#">C1611</a>	08S35374W12	CAP,CER 106K-B0J -CP
MECH-P.W.Board			<a href="#">C1625</a>	08S45232Y08	CAP,CER 332K-B1H -CP
MECH-P.W.Board			<a href="#">C1626</a>	08S45232Y08	CAP,CER 332K-B1H -CP
MECH-P.W.Board			<a href="#">C1628</a>	08S45232Y08	CAP,CER 332K-B1H -CP
MECH-P.W.Board			<a href="#">C1700</a>	08S45232Y06	CAP,CER 152K-B1H -CP

Mark Model Code

#1 CDA-105 Only,

\$1 CDA-105E(General Foreign) Only,

%1 CDA-105E(Chinese) Only,

&1 CDA-105L Only,

Others:Common.

NOTE:The part that has not PART NUMBER will not be supplied.

P.W.Board	MIS	MODEL	Ref.	Parts No.	Parts Name
MECH-P.W.Board			<a href="#">C1701</a>	08S45232Y06	CAP,CER 152K-B1H -CP
MECH-P.W.Board			<a href="#">C1703</a>	08S35374W11	CAP,CER 475K-B0J -CP
MECH-P.W.Board			<a href="#">C1708</a>	08S35374W12	CAP,CER 106K-B0J -CP
MECH-P.W.Board			<a href="#">CB1101</a>	09-09312Z02	FFC,IMSA9663S-15Y-EQ
MECH-P.W.Board			<a href="#">CB1301</a>	09-09312Z01	FFC,IMSA9663S-11Y-EQ
MECH-P.W.Board			<a href="#">CH1201</a>	09-11476Z02	BTB,IMSA9852S-26Y-EQ
MECH-P.W.Board			<a href="#">E1101</a>	23-02425Z02	CAP,ELY 47R-05 -E5
MECH-P.W.Board			<a href="#">E1103</a>	23T65679Y11	CAP,CD 47R-0J -E2
MECH-P.W.Board			<a href="#">E1301</a>	23-02425Z04	CAP,ELY 10R-1C -E5
MECH-P.W.Board			<a href="#">E1601</a>	23-02425Z02	CAP,ELY 47R-05 -E5
MECH-P.W.Board			<a href="#">E1603</a>	23-02425Z02	CAP,ELY 47R-05 -E5
MECH-P.W.Board			<a href="#">IC1100</a>	51-06875Z04	TC94A70FG-010 -QT
MECH-P.W.Board			<a href="#">IC1200</a>	51-07740Z01	TC7SA00FU-L -CP
MECH-P.W.Board			<a href="#">IC1201</a>	51-12485Z02	IC,TMP92CD28AFG -QT
MECH-P.W.Board			<a href="#">IC1301</a>	51-01027Z01	BA5830FP-E2 -SEA
MECH-P.W.Board			<a href="#">IC1600</a>	51-06963Z01	NJU7741F15-TE1 -CP
MECH-P.W.Board			<a href="#">IC1601</a>	51-06963Z01	NJU7741F15-TE1 -CP
MECH-P.W.Board			<a href="#">Q1001</a>	48T55462Y01	TR,2SB1132-QR-100-E2
MECH-P.W.Board			<a href="#">Q1200</a>	48-08605Z01	TR,2SA2048-TL -CP
MECH-P.W.Board			<a href="#">Q1201</a>	48T64222F12	TR,UN221L-TX -CP
MECH-P.W.Board			<a href="#">Q1600</a>	48T73022F01	TR ,2SB766A -E2
MECH-P.W.Board			<a href="#">Q1601</a>	48-07989Z11	TR,UNR521FJ-TX -CP
MECH-P.W.Board			<a href="#">Q1602</a>	48-07989Z01	TR,UNR5211J-TX -CP
MECH-P.W.Board			<a href="#">Q1603</a>	48-04940Z17	TR,KRA118S-RTK -CP
MECH-P.W.Board			<a href="#">Q1604</a>	48-02302Z02	TR,XP0331200L -CP
MECH-P.W.Board			<a href="#">R1013</a>	06S70072F90	RES,CP .1R0-J-1/4-CP
MECH-P.W.Board			<a href="#">R1015</a>	06S45674W99	RES,RK 563J 1/10 -CP
MECH-P.W.Board			<a href="#">R1111</a>	06S45674W89	RES,RK 223J 1/10 -CP
MECH-P.W.Board			<a href="#">R1114</a>	06S45675W30	RES,RK 105J 1/10 -CP
MECH-P.W.Board			<a href="#">R1117</a>	06S45674W97	RES,RK 473J 1/10 -CP
MECH-P.W.Board			<a href="#">R1118</a>	06S45674W41	RES,RK 221J 1/10 -CP
MECH-P.W.Board			<a href="#">R1120</a>	06S45674W97	RES,RK 473J 1/10 -CP
MECH-P.W.Board			<a href="#">R1121</a>	06S45675W06	RES,RK 104J 1/10 -CP
MECH-P.W.Board			<a href="#">R1134</a>	06S45675W06	RES,RK 104J 1/10 -CP
MECH-P.W.Board			<a href="#">R1160</a>	06S45674W75	RES,RK 562J 1/10 -CP
MECH-P.W.Board			<a href="#">R1161</a>	06S45674W85	RES,RK 153J 1/10 -CP
MECH-P.W.Board			<a href="#">R1162</a>	06S45674W97	RES,RK 473J 1/10 -CP
MECH-P.W.Board			<a href="#">R1163</a>	06S45675W26	RES,RK 684J 1/10 -CP
MECH-P.W.Board			<a href="#">R1200</a>	06S55361Y27	RES,RK 27RJ 1/4 -CP
MECH-P.W.Board			<a href="#">R1201</a>	06S45674W33	RES,RK 101J 1/10 -CP
MECH-P.W.Board			<a href="#">R1202</a>	06S55361Y27	RES,RK 27RJ 1/4 -CP
MECH-P.W.Board			<a href="#">R1203</a>	06S55365Y93	RES,RK 153J 1/10 -CP
MECH-P.W.Board			<a href="#">R1204</a>	06S55365Y93	RES,RK 153J 1/10 -CP
MECH-P.W.Board			<a href="#">R1207</a>	06S45674W97	RES,RK 473J 1/10 -CP
MECH-P.W.Board			<a href="#">R1208</a>	06S45674W97	RES,RK 473J 1/10 -CP

Mark Model Code

#1 CDA-105 Only,

\$1 CDA-105E(General Foreign) Only,

%1 CDA-105E(Chinese) Only,

&1 CDA-105L Only,

Others:Common.

NOTE:The part that has not PART NUMBER will not be supplied.

P.W.Board	MIS	MODEL	Ref.	Parts No.	Parts Name
MECH-P.W.Board			<a href="#">R1209</a>	06S45674W57	RES,RK 102J 1/10 -CP
MECH-P.W.Board			<a href="#">R1210</a>	06S45674W97	RES,RK 473J 1/10 -CP
MECH-P.W.Board			<a href="#">R1212</a>	06S45674W97	RES,RK 473J 1/10 -CP
MECH-P.W.Board			<a href="#">R1213</a>	06S45674W97	RES,RK 473J 1/10 -CP
MECH-P.W.Board			<a href="#">R1215</a>	06S45674W97	RES,RK 473J 1/10 -CP
MECH-P.W.Board			<a href="#">R1218</a>	06S45674W97	RES,RK 473J 1/10 -CP
MECH-P.W.Board			<a href="#">R1219</a>	06S45674W33	RES,RK 101J 1/10 -CP
MECH-P.W.Board			<a href="#">R1220</a>	06S45674W33	RES,RK 101J 1/10 -CP
MECH-P.W.Board			<a href="#">R1221</a>	06S45674W97	RES,RK 473J 1/10 -CP
MECH-P.W.Board			<a href="#">R1223</a>	06S45674W97	RES,RK 473J 1/10 -CP
MECH-P.W.Board			<a href="#">R1226</a>	06S45674W97	RES,RK 473J 1/10 -CP
MECH-P.W.Board			<a href="#">R1227</a>	06S45675W06	RES,RK 104J 1/10 -CP
MECH-P.W.Board			<a href="#">R1229</a>	06S45674W97	RES,RK 473J 1/10 -CP
MECH-P.W.Board			<a href="#">R1232</a>	06S45674W97	RES,RK 473J 1/10 -CP
MECH-P.W.Board			<a href="#">R1235</a>	06S45674W97	RES,RK 473J 1/10 -CP
MECH-P.W.Board			<a href="#">R1237</a>	06S45674W97	RES,RK 473J 1/10 -CP
MECH-P.W.Board			<a href="#">R1238</a>	06S45674W33	RES,RK 101J 1/10 -CP
MECH-P.W.Board			<a href="#">R1239</a>	06S15615Y73	RES,RK 103J 1/16 -CP
MECH-P.W.Board			<a href="#">R1240</a>	06S45674W51	RES,RK 561J 1/10 -CP
MECH-P.W.Board			<a href="#">R1241</a>	06S45674W97	RES,RK 473J 1/10 -CP
MECH-P.W.Board			<a href="#">R1301</a>	06S45675W02	RES,RK 683J 1/10 -CP
MECH-P.W.Board			<a href="#">R1302</a>	06S45675W04	RES,RK 823J 1/10 -CP
MECH-P.W.Board			<a href="#">R1303</a>	06S45675W06	RES,RK 104J 1/10 -CP
MECH-P.W.Board			<a href="#">R1304</a>	06S45675W06	RES,RK 104J 1/10 -CP
MECH-P.W.Board			<a href="#">R1305</a>	06S45675W08	RES,RK 124J 1/10 -CP
MECH-P.W.Board			<a href="#">R1306</a>	06S45674W99	RES,RK 563J 1/10 -CP
MECH-P.W.Board			<a href="#">R1307</a>	06S45674W33	RES,RK 101J 1/10 -CP
MECH-P.W.Board			<a href="#">R1308</a>	06S45674W33	RES,RK 101J 1/10 -CP
MECH-P.W.Board			<a href="#">R1313</a>	06S45674W97	RES,RK 473J 1/10 -CP
MECH-P.W.Board			<a href="#">R1314</a>	06S45674W93	RES,RK 333J 1/10 -CP
MECH-P.W.Board			<a href="#">R1317</a>	06S45674W75	RES,RK 562J 1/10 -CP
MECH-P.W.Board			<a href="#">R1318</a>	06S45674W75	RES,RK 562J 1/10 -CP
MECH-P.W.Board			<a href="#">R1319</a>	06S45674W87	RES,RK 183J 1/10 -CP
MECH-P.W.Board			<a href="#">R1320</a>	06S45674W99	RES,RK 563J 1/10 -CP
MECH-P.W.Board			<a href="#">R1323</a>	06S45674W33	RES,RK 101J 1/10 -CP
MECH-P.W.Board			<a href="#">R1324</a>	06S45674W33	RES,RK 101J 1/10 -CP
MECH-P.W.Board			<a href="#">R1325</a>	06S45675W06	RES,RK 104J 1/10 -CP
MECH-P.W.Board			<a href="#">R1326</a>	06S45675W06	RES,RK 104J 1/10 -CP
MECH-P.W.Board			<a href="#">R1327</a>	06S45675W06	RES,RK 104J 1/10 -CP
MECH-P.W.Board			<a href="#">R1329</a>	06S45674W81	RES,RK 103J 1/10 -CP
MECH-P.W.Board			<a href="#">R1600</a>	06S45675W06	RES,RK 104J 1/10 -CP
MECH-P.W.Board			<a href="#">R1602</a>	06S45674W93	RES,RK 333J 1/10 -CP
MECH-P.W.Board			<a href="#">R1620</a>	06S45674W73	RES,RK 472J 1/10 -CP
MECH-P.W.Board			<a href="#">R1621</a>	06S45674W39	RES,RK 181J 1/10 -CP
MECH-P.W.Board			<a href="#">R1700</a>	06S45674W23	RES,RK 39RJ 1/10 -CP

Mark Model Code

- #1 CDA-105 Only,
- \$1 CDA-105E(General Foreign) Only,
- %1 CDA-105E(Chinese) Only,
- &1 CDA-105L Only,

Others:Common.

NOTE:The part that has not PART NUMBER will not be supplied.

P.W.Board	MIS	MODEL	Ref.	Parts No.	Parts Name
MECH-P.W.Board			<a href="#">R1701</a>	06S45674W23	RES,RK 39RJ 1/10 -CP
MECH-P.W.Board			<a href="#">RA1100</a>	06S45591W15	RES,ARY MNR472J 4-CP
MECH-P.W.Board			<a href="#">RA1101</a>	06S45591W15	RES,ARY MNR472J 4-CP
MECH-P.W.Board			<a href="#">RA1102</a>	06S15771Y45	RES,ARYEXB28V473J-CP
MECH-P.W.Board			<a href="#">RA1103</a>	06S15771Y49	RES,ARYEXB28V104J-CP
MECH-P.W.Board			<a href="#">RA1105</a>	06S15771Y13	RES,ARYEXB28V101J-CP
MECH-P.W.Board			<a href="#">RA1202</a>	06S15771Y13	RES,ARYEXB28V101J-CP
MECH-P.W.Board			<a href="#">RA1203</a>	06S15771Y13	RES,ARYEXB28V101J-CP
MECH-P.W.Board			<a href="#">RA1204</a>	06S15771Y13	RES,ARYEXB28V101J-CP
MECH-P.W.Board			<a href="#">RA1205</a>	06S15771Y13	RES,ARYEXB28V101J-CP
MECH-P.W.Board			<a href="#">RA1208</a>	06S15771Y13	RES,ARYEXB28V101J-CP
MECH-P.W.Board			<a href="#">RA1210</a>	06S15771Y45	RES,ARYEXB28V473J-CP
MECH-P.W.Board			<a href="#">RA1211</a>	06S15771Y45	RES,ARYEXB28V473J-CP
MECH-P.W.Board			<a href="#">RA1212</a>	06S15771Y45	RES,ARYEXB28V473J-CP
MECH-P.W.Board			<a href="#">RA1216</a>	06S15771Y45	RES,ARYEXB28V473J-CP
MECH-P.W.Board			<a href="#">RA1217</a>	06S15771Y45	RES,ARYEXB28V473J-CP
MECH-P.W.Board			<a href="#">XL1100</a>	91-14119Z02	XTL,XQ 16.9344M -E5
MECH-P.W.Board			<a href="#">XL1200</a>	91-14119Z03	XTL,XQ 9.000M -E5
MECH-P.W.Board			<a href="#">XL1201</a>	91T95554W03	XTL,CM200S 32.76K-E5
MECH-P.W.Board			<a href="#">Z1200</a>	91T65123Y02	EMI,DLW21SN900SQ2-CP
ESC-P.W.Board			<a href="#">CB6001</a>	09T75237Y20	BTB,BTFW20P-3SSTA-EJ
ESC-P.W.Board			<a href="#">CB6002</a>	09-04217Z01	BTB,DH16-S -B
ESC-P.W.Board			<a href="#">LD6001</a>	48-11865Z01	LED,AMB SML-D12D8WCP
ESC-P.W.Board			<a href="#">LD6002</a>	48-11868Z02	LED,AMB A12D8T-Q -CP
ESC-P.W.Board			<a href="#">Q6001</a>	48-04929Z05	TR,KRC105S-RTK -CP
ESC-P.W.Board			<a href="#">R6001</a>	06S55361Y98	RES,RK 243J 1/4 -CP
ESC-P.W.Board			<a href="#">R6002</a>	06S70072F67	RES,CP .392-J-1/4-CP
ESC-P.W.Board			<a href="#">SW6001</a>	40-03466Z01	SW,DETCT SPVM1101-E5
ESC-P.W.Board			<a href="#">SW6002</a>	40T65353Y01	SW,TACT SKRSPACE010E2
ESC-P.W.Board			<a href="#">ZD6001</a>	48-11191Z22	DIO,ZEN MAZ8056GL-CP
Miscellaneous			<a href="#">ET5001</a>	09-14560Z01	ASSY,ANID-0094-01A
Miscellaneous			<a href="#">ET802</a>	09-11953Z01	ASSY,YAF11-1251N
SW(DP33U8BV)-P.W.Board			<a href="#">CB101</a>	09-09314Z01	FFC,IMSA9664S-11Y-EQ
SW(DP33U8BV)-P.W.Board			<a href="#">PT1</a>	48-13077Z01	PHT,TR KP3216P3BT-CP
SW(DP33U8BV)-P.W.Board			<a href="#">PT2</a>	48-13077Z01	PHT,TR KP3216P3BT-CP
SW(DP33U8BV)-P.W.Board			<a href="#">PT3</a>	48-13077Z01	PHT,TR KP3216P3BT-CP
SW(DP33U8BV)-P.W.Board			<a href="#">SW1</a>	40T15494Y16	SW,DETCT SPVG1103-E6
FPC.PHOTO.VE-P.W.Board			C101	08S45677W42	CAP,CER.181J-CH1H-CP
FPC.PHOTO.VE-P.W.Board			C102	08S45677W42	CAP,CER.181J-CH1H-CP
FPC.PHOTO.VE-P.W.Board			C103	08S45677W42	CAP,CER.181J-CH1H-CP
FPC.PHOTO.VE-P.W.Board			LD101	48-13076Z01	LED,KPTD-3216F3C -CP
FPC.PHOTO.VE-P.W.Board			LD102	48-13076Z01	LED,KPTD-3216F3C -CP
FPC.PHOTO.VE-P.W.Board			LD103	48-13076Z01	LED,KPTD-3216F3C -CP
FPC.PHOTO.VE-P.W.Board			R101	06S45674W51	RES,RK 561J 1/10 -CP
FPC.PHOTO.VE-P.W.Board			R102	06S45674W51	RES,RK 561J 1/10 -CP

Mark Model Code

#1 CDA-105 Only,

\$1 CDA-105E(General Foreign) Only,

%1 CDA-105E(Chinese) Only,

&1 CDA-105L Only,

Others:Common.

NOTE:The part that has not PART NUMBER will not be supplied.

P.W.Board	MIS	MODEL	Ref.	Parts No.	Parts Name
FPC.PHOTO.VE-P.W.Board			R103	06S45674W51	RES,RK 561J 1/10 -CP
Miscellaneous			<a href="#">HD1</a>	EP-12502Z01	EP21A96T
Miscellaneous			<a href="#">M1</a>	66-09123Z07	ASSY,SPDL MTR AOTA
Miscellaneous			<a href="#">M2</a>	66-13908Z44	ASSY,LD-SLED MTR AOTA 8BV

Mark Model Code

#1 CDA-105 Only,

\$1 CDA-105E(General Foreign) Only,

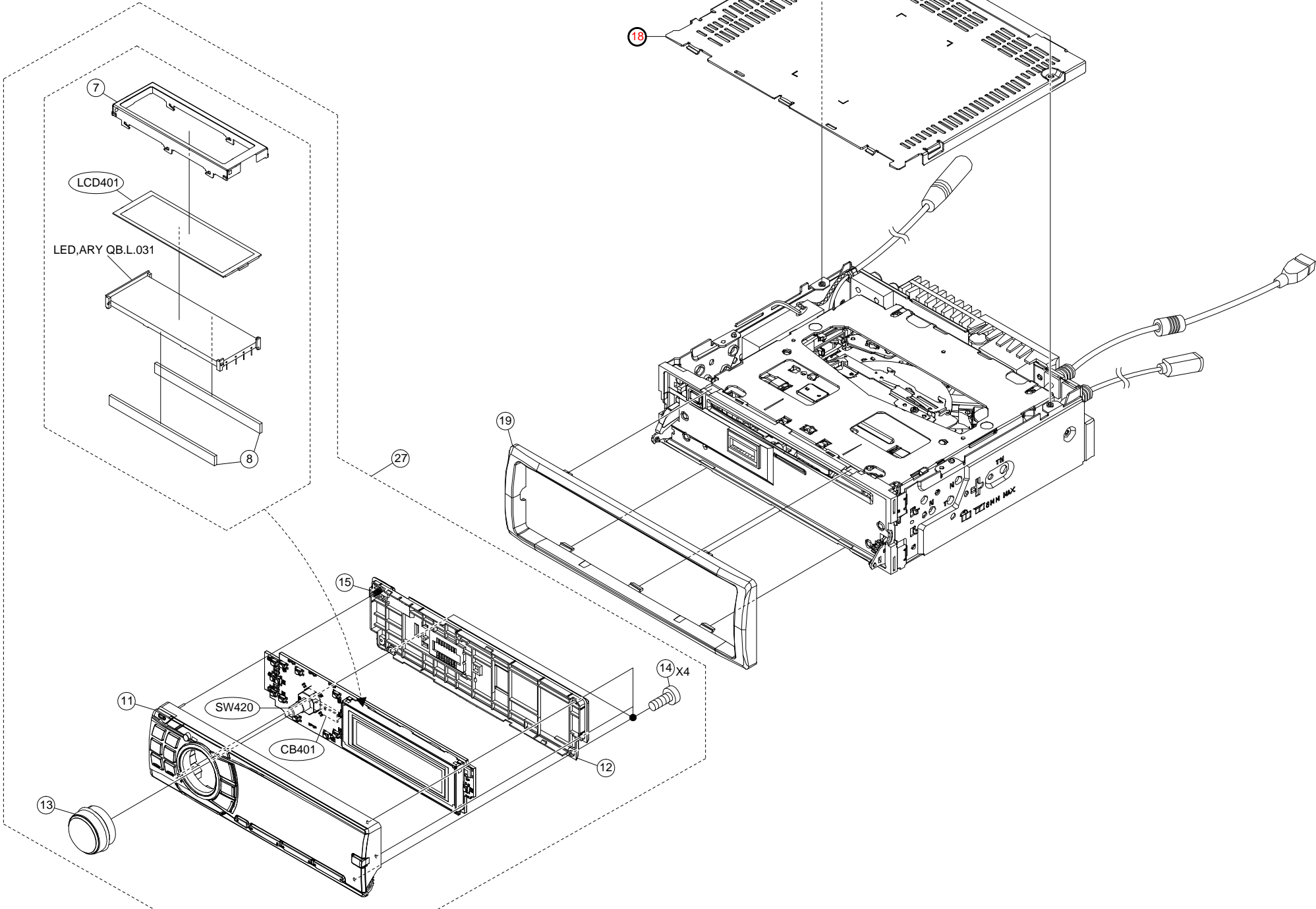
%1 CDA-105E(Chinese) Only,

&1 CDA-105L Only,

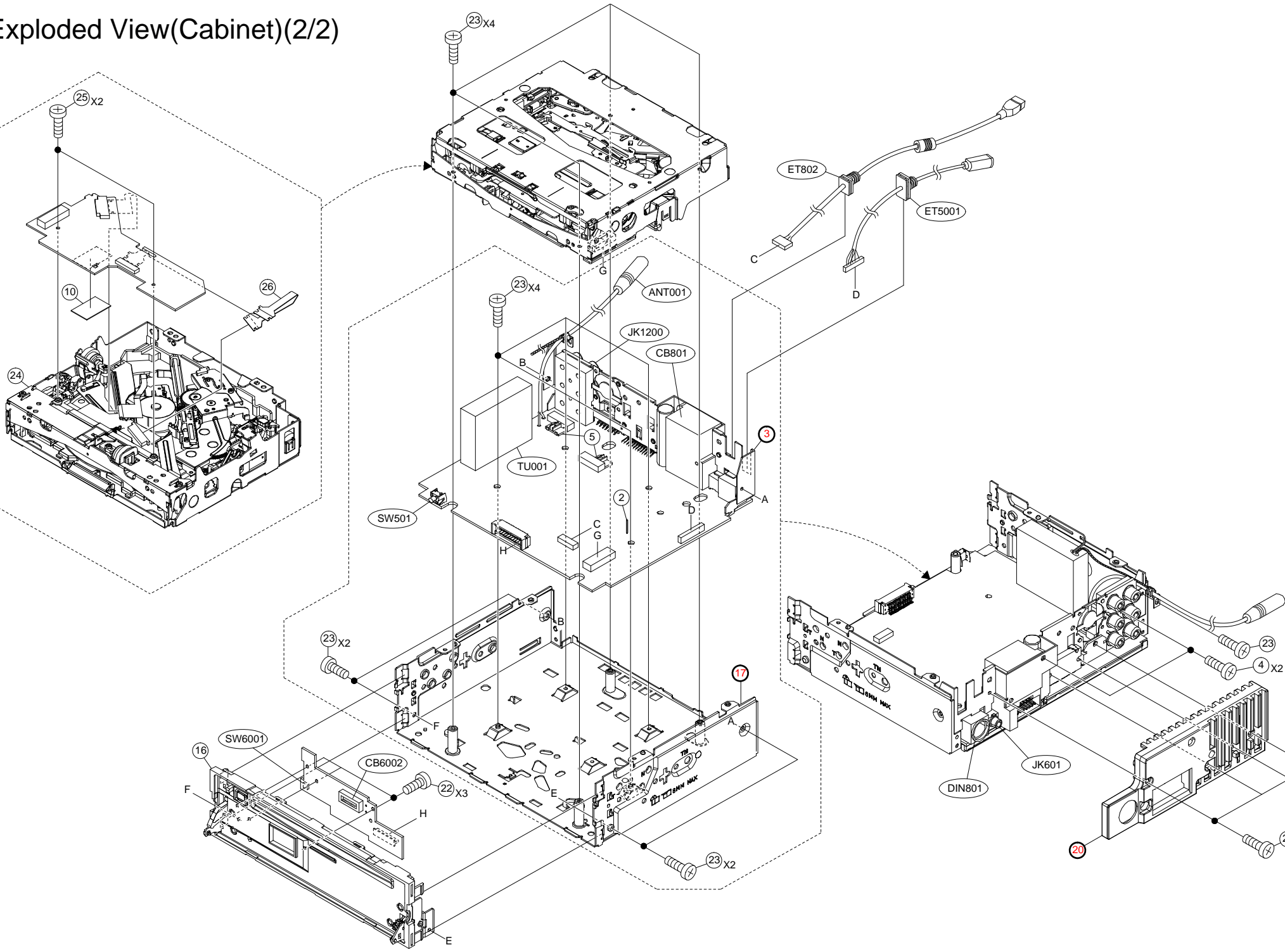
Others:Common.

NOTE:The part that has not PART NUMBER will not be supplied.

# Exploded View(Cabinet)(1/2)



# Exploded View(Cabinet)(2/2)



MODEL	Symbol No.	Parts No.	Description
	<a href="#">2</a>	09T84840F01	LUG,STYLE 18MM
	<a href="#">3</a>	-----	BKT,CHAS REAR
	<a href="#">4</a>	03S60825Y04	SCR,B-T 3X8 ZN A
	<a href="#">5</a>	36A04141K02	KNOB,SLIDE
	<a href="#">7</a>	15-08546Z02	COVER,LCD
	<a href="#">8</a>	75T03213K03	RUBBER,ELECTRIC
	<a href="#">10</a>	14-07028Z02	INSULATOR,DP-U
#1	<a href="#">11</a>	EN-14006Z01	NOSE,PIECE ASSY
\$1	<a href="#">11</a>	EN-14006Z04	NOSE,PIECE ASSY
%1	<a href="#">11</a>	EN-14006Z04	NOSE,PIECE ASSY
&1	<a href="#">11</a>	EN-14006Z02	NOSE,PIECE ASSY
	<a href="#">12</a>	13-11222Z01	NOSE,BOTTOM
	<a href="#">13</a>	36-14017Z01	KNOB,ROTARY ASSY
	<a href="#">14</a>	03-02876Z02	SCR,WEV 1.7X10 ZB A
	<a href="#">15</a>	41-05515Z01	SPRING,OPEN
	<a href="#">16</a>	13-11315Z01	NOSE,BASE ASSY
	<a href="#">17</a>	-----	CHAS,RIV BASE
	<a href="#">18</a>	-----	COVER,TOP
	<a href="#">19</a>	33-11449Z01	FACE,PLATE
	<a href="#">20</a>	-----	HEAT,SINK
	<a href="#">21</a>	03S60822Y22	SCR,S-T 2.6X14 ZN A
	<a href="#">22</a>	03S60823Y33	SCR,P-T 2X4 ZN A
	<a href="#">23</a>	03S60822Y13	SCR,S-T 2.6X6 ZN A
	<a href="#">24</a>	DP-12685Z01	DP33U8BV
	<a href="#">25</a>	03S60822Y43	SCR,S-T 2X3 ZN A
	<a href="#">26</a>	84-09115Z01	FPC,SERVO DP-U AOTA
#1	<a href="#">27</a>	SU-14900Z01	SERVICE_NOSE_105
\$1	<a href="#">27</a>	SU-14902Z01	SERVICE_NOSE_105E
%1	<a href="#">27</a>	SU-14902Z01	SERVICE_NOSE_105E
&1	<a href="#">27</a>	SU-14901Z01	SERVICE_NOSE_105L
	<a href="#">ANT001</a>	09-06103Z01	ASSY,ANID-0035-01A
	<a href="#">CB401</a>	09-04216Z01	BTB,DH16-P -B
	<a href="#">CB6002</a>	09-04217Z01	BTB,DH16-S -B
	<a href="#">CB801</a>	24-02502Z02	ASSY,W277A001 -DB
	<a href="#">DIN801</a>	09T55071W11	CON,TCP9389-11 -DT
	<a href="#">ET5001</a>	09-14560Z01	ASSY,ANID-0094-01A
	<a href="#">ET802</a>	09-11953Z01	ASSY,YAF11-1251N
	<a href="#">JK1200</a>	09-11352Z01	RCA,YKC21-4816N -DB
	<a href="#">JK601</a>	09T03156K01	JAC,CK-3.5-14 -DB
	<a href="#">LCD401</a>	65-14217Z01	LCD,TD0535BMM0TTN-F
	<a href="#">SW420</a>	40-10735Z02	ENC,EC12D1524405 -DB
	<a href="#">SW501</a>	40T16096W03	SW ,TACT SKHHLW
	<a href="#">SW6001</a>	40-03466Z01	SW,DETCT SPVM1101-E5
	<a href="#">TU001</a>	TU-00887Z03	TUNER,MX-A210

Mark Model Code

#1 CDA-105 Only,

\$1 CDA-105E(General Foreign) Only,

%1 CDA-105E(Chinese) Only,

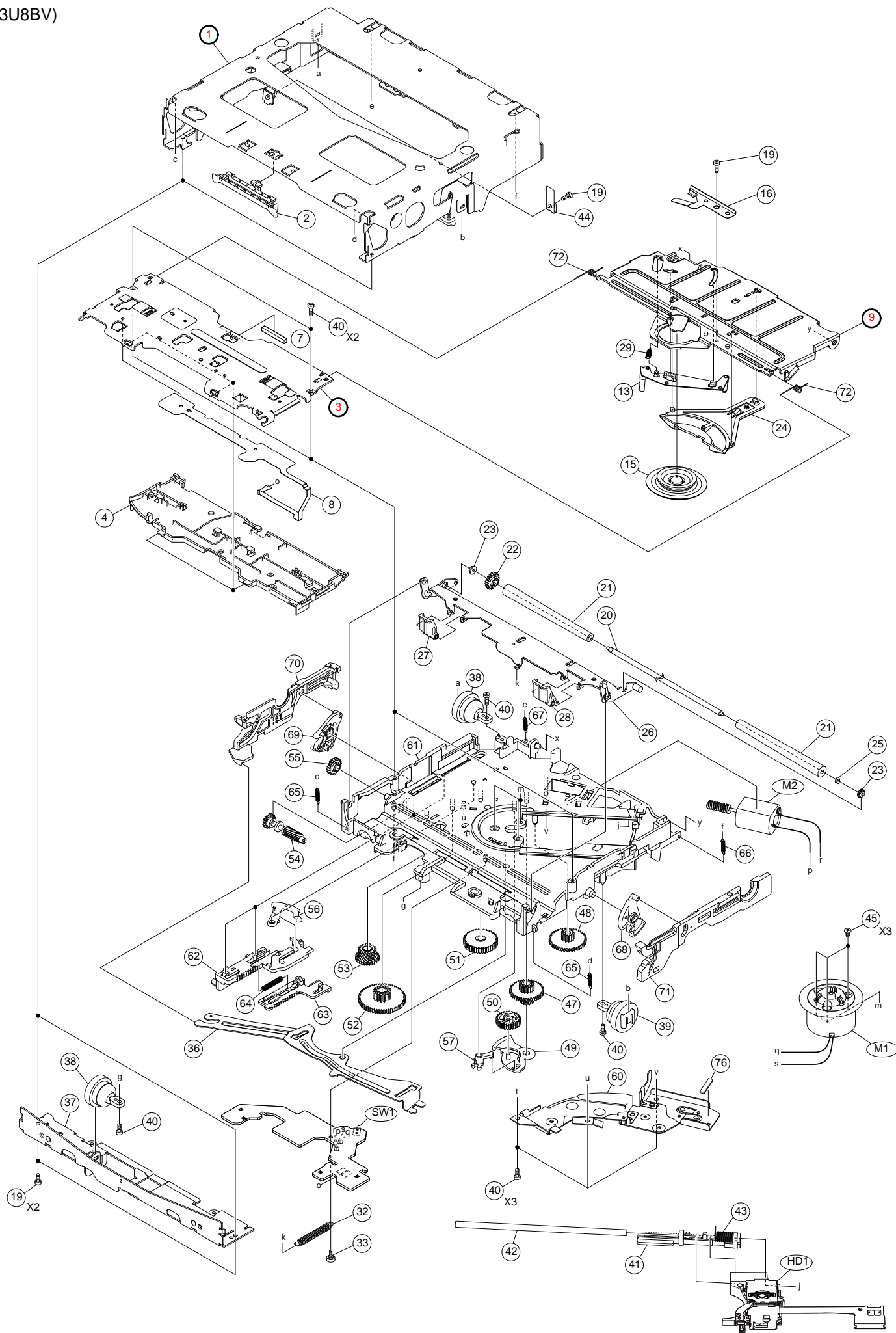
&1 CDA-105L Only,

Others:Common.

NOTE:The part that has not PART NUMBER will not be supplied.

# Exploded View (CD Deck Mechanism)

(DP33U8BV)



MODEL	Symbol No.	Parts No.	Description
	<a href="#">1</a>	-----	CHAS,BASE DP-U
	<a href="#">2</a>	15-08614Z01	GUIDE, TOP 2 DP-U
	<a href="#">3</a>	-----	CHAS, TOP 8LS
	<a href="#">4</a>	15-10062Z05	GUIDE, TOP 8LS
	<a href="#">7</a>	14-06145Z26	INS,CVR 12X2.7XT2
	<a href="#">8</a>	84-14334Z01	FPC, PHOTO VE
	<a href="#">9</a>	-----	ARM, CLAPM 8LS
	<a href="#">13</a>	45-10065Z04	LEVER, ACTUATOR 8LS
	<a href="#">15</a>	43-08616Z04	TABLE, CLAMPER DP-U
	<a href="#">16</a>	41-14419Z01	SPG, CLAMPER VE-2
	<a href="#">19</a>	03S60822Y43	SCR, S-T 2X3 ZN A
	<a href="#">20</a>	47-04894Z02	SHAFT, ROLLER DP-U
	<a href="#">21</a>	49-07008Z02	ROLLER, DP-U
	<a href="#">22</a>	44-08626Z01	GEAR, ROLLER
	<a href="#">23</a>	43-08617Z01	BUSH, ROLLER DP-U
	<a href="#">24</a>	15-10063Z04	GUARD, DISC
	<a href="#">25</a>	04S40075G88	WAS, LOC 1.7X4.5X0.25
	<a href="#">26</a>	45-10061Z04	ARM, DISC GUIDE 8LS
	<a href="#">27</a>	45-08642Z01	ARM, FENCE L
	<a href="#">28</a>	45-08643Z01	ARM, FENCE R
	<a href="#">29</a>	41-05867Z14	SPRING, ACTUATOR-2
	<a href="#">32</a>	41-05867Z11	SPRING, ROLLER AOTA 2
	<a href="#">33</a>	03-10564Z01	SCR, SPG. ROLLER AOTA2
	<a href="#">36</a>	45-08510Z04	LEVER, LINK DRIVE
	<a href="#">37</a>	07-04867Z02	BKT, DAMPER
	<a href="#">38</a>	75-13914Z01	DAMPER, DP-U VE Z01
	<a href="#">39</a>	75-13914Z02	DAMPER, DP-U VE Z02
	<a href="#">40</a>	03S70693Y06	SCR, P-T 2X6 ZB A
	<a href="#">41</a>	44-08628Z01	RACK, SLED
	<a href="#">42</a>	47-04895Z01	SHAFT, PICK DP-U
	<a href="#">43</a>	41-05866Z02	SPRING, SLED
	<a href="#">44</a>	41-09325Z01	SPRING, RATTLE L
	<a href="#">45</a>	03S60820Y72	SCR, MCH 1.7X3 ZN A
	<a href="#">47</a>	44-08618Z04	GEAR, A
	<a href="#">48</a>	44-08619Z01	GEAR, B
	<a href="#">49</a>	45-08631Z01	LEVER, TIMING GEAR
	<a href="#">50</a>	44-08620Z01	GEAR, C
	<a href="#">51</a>	44-08621Z01	GEAR, D
	<a href="#">52</a>	44-08622Z04	GEAR, E
	<a href="#">53</a>	44-08623Z04	GEAR, F
	<a href="#">54</a>	44-08624Z01	GEAR, G
	<a href="#">55</a>	44-09654Z01	GEAR, H-2

Mark Model Code

#1 CDA-105 Only,

\$1 CDA-105E(General Foreign) Only,

%1 CDA-105E(Chinese) Only,

&1 CDA-105L Only,

Others:Common.

NOTE:The part that has not PART NUMBER will not be supplied.

MODEL	Symbol No.	Parts No.	Description
	<a href="#">56</a>	45-08632Z01	LEVER,LOCK DP-U
	<a href="#">57</a>	45-08630Z01	LEVER,TIMING PICK
	<a href="#">60</a>	07-05523Z02	ASSY,RIV COVER MTR
	<a href="#">61</a>	27-14801Z01	CHAS,PICK 8LS 2
	<a href="#">62</a>	45-08633Z01	SLIDER,LOAD DP-U
	<a href="#">63</a>	45-08634Z01	SLIDER,TIMING_LOAD
	<a href="#">64</a>	41-05874Z02	SPRING,TIMING
	<a href="#">65</a>	41-05867Z02	SPRING,DRIVE F
	<a href="#">66</a>	41-05867Z13	SPRING,DRIVE RR-2
	<a href="#">67</a>	41-05867Z04	SPRING,DRIVE RL
	<a href="#">68</a>	45-08639Z01	ARM,LOCK R DP-U
	<a href="#">69</a>	45-08637Z01	ARM,LOCK L DP-U
	<a href="#">70</a>	45-10066Z04	SLIDER,LOCK L 8LS
	<a href="#">71</a>	45-10067Z04	SLIDER,LOCK R 8LS
	<a href="#">72</a>	41-05871Z02	SPRING,ARM CLAMP
	<a href="#">76</a>	14-06145Z92	INS,CVR 12X3XT1
	<a href="#">HD1</a>	EP-12502Z01	EP21A96T
	<a href="#">M1</a>	66-09123Z07	ASSY,SPDL MTR AOTA
	<a href="#">M2</a>	66-13908Z44	ASSY,LD-SLED MTR AOTA 8BV
	<a href="#">SW1</a>	40T15494Y16	SW,DETCT SPVG1103-E6

Mark Model Code

#1 CDA-105 Only,

\$1 CDA-105E(General Foreign) Only,

%1 CDA-105E(Chinese) Only,

&1 CDA-105L Only,

Others:Common.

NOTE:The part that has not PART NUMBER will not be supplied.