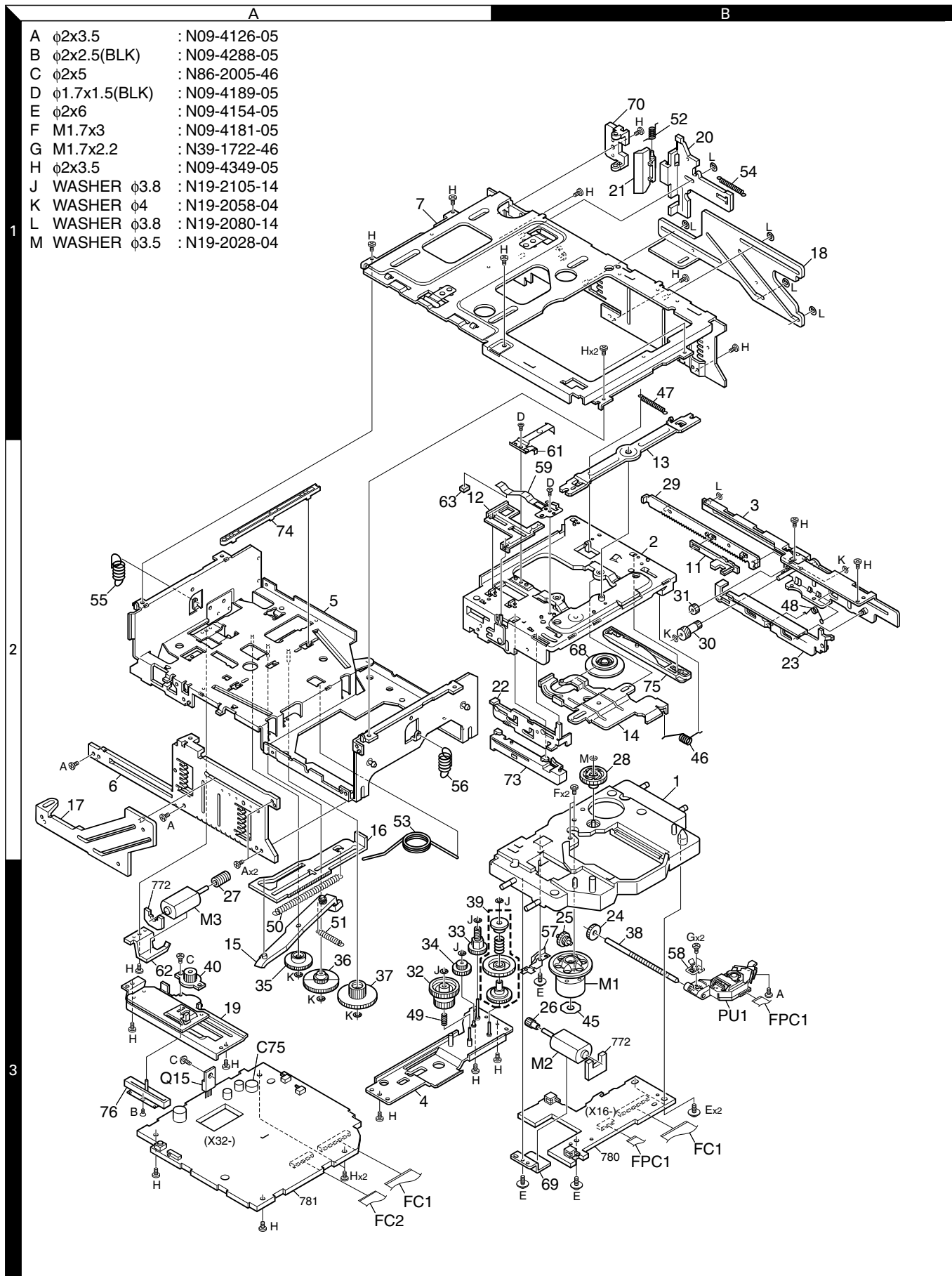
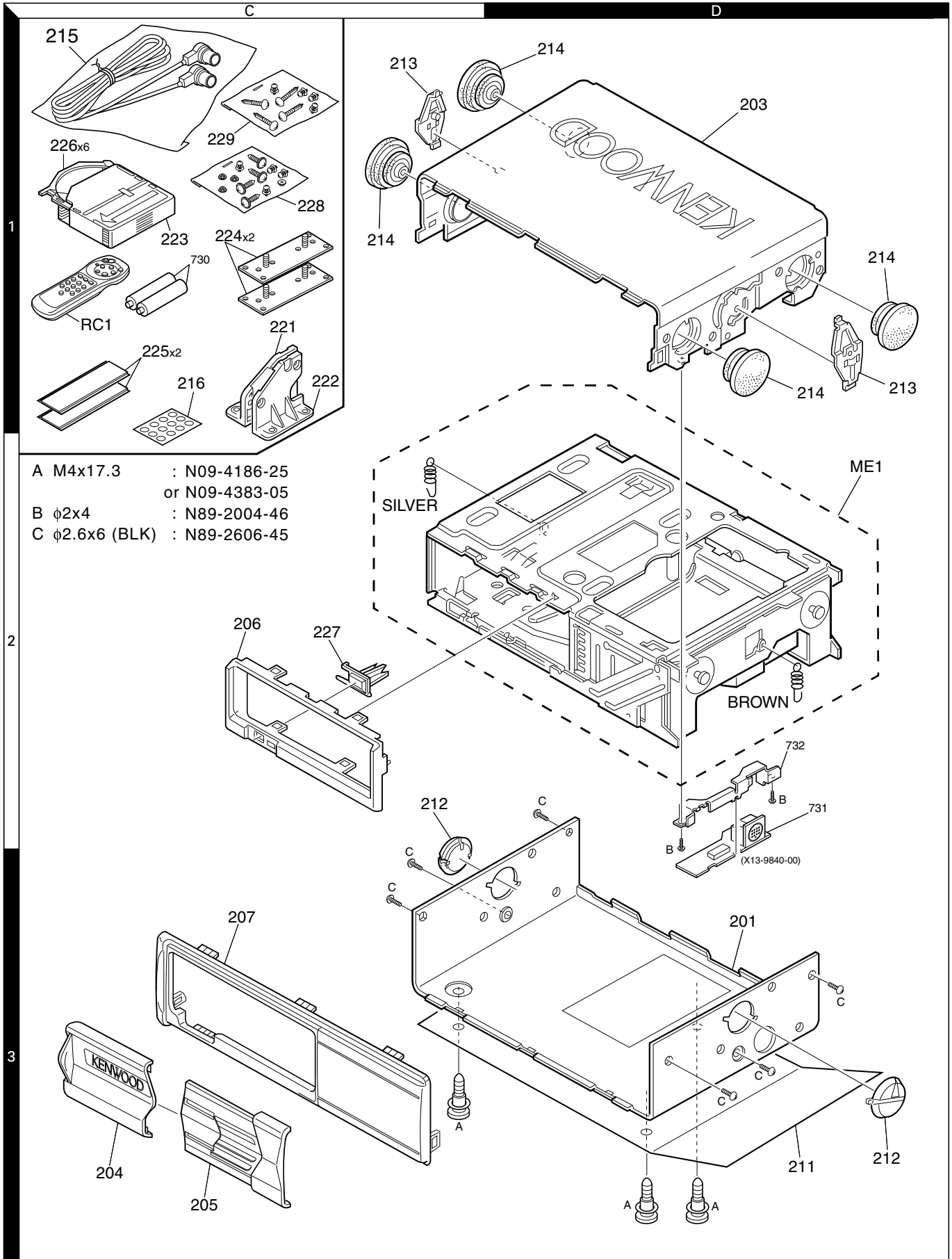


KDC-C467/Y/FM/FMA,C667/Y

EXPLODED VIEW (MECHANISM)



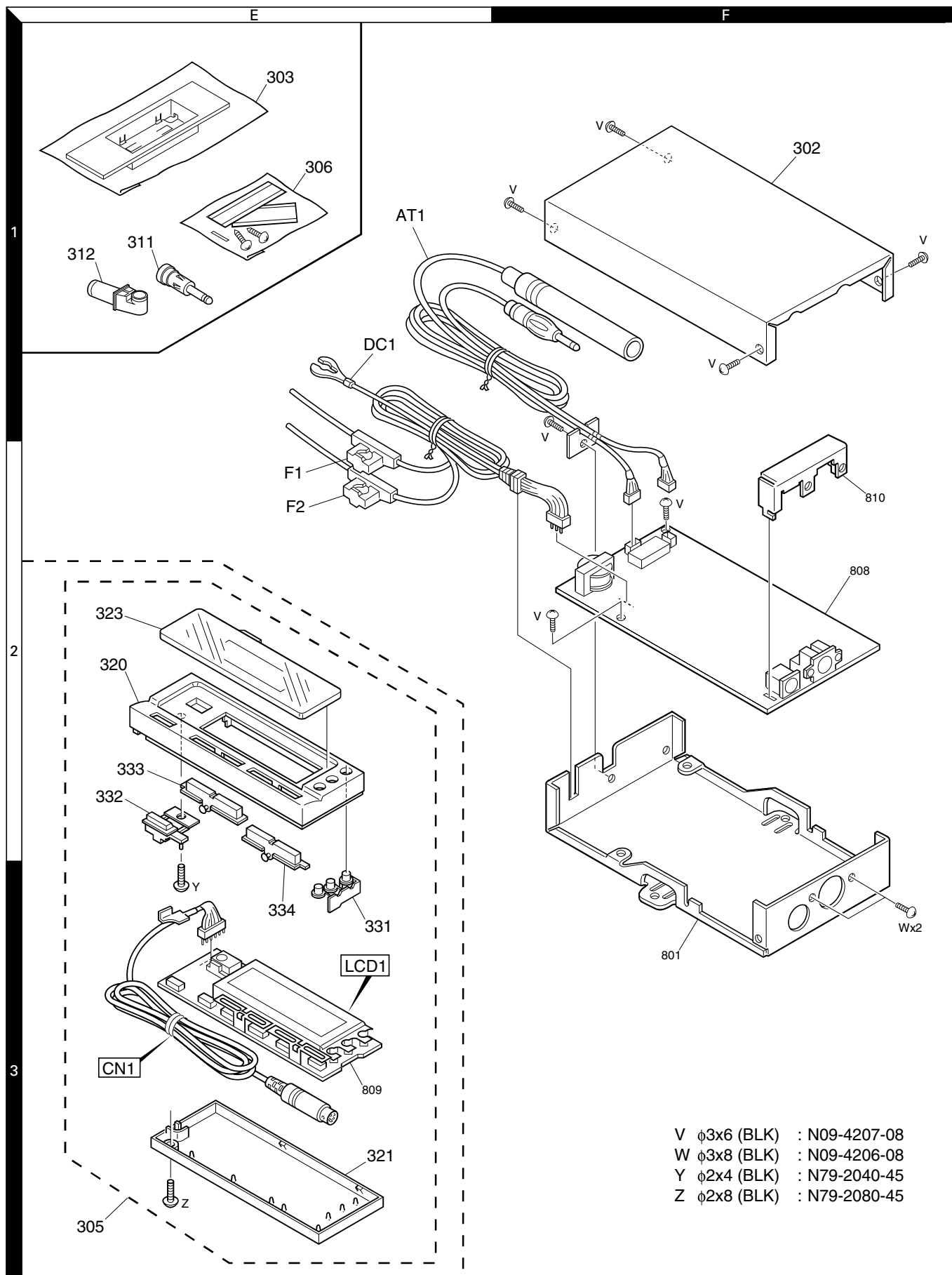
EXPLODED VIEW (UNIT)



Parts with the exploded numbers larger than 700 are not supplied.

KDC-C467/Y/FM/FMA,C667/Y

EXPLODED VIEW (RF MODULATOR)



PARTS LIST

* New Parts

Parts without **Parts No.** are not supplied.

Les articles non mentionnes dans le **Parts No.** ne sont pas fournis.

Teile ohne **Parts No.** werden nicht geliefert.

Ref. No.	A d d	N e w	Parts No.	Description	Dest ination
KDC-C467/Y/FM/FMA,C667/Y					
201	3D	*	A10-4736-01	CHASSIS	KM1E1
201	3D	*	A10-4736-01	CHASSIS	K1E2K2
201	3D	*	A10-4840-01	CHASSIS	E3E4E5
201	3D	*	A10-4840-01	CHASSIS	E6
203	1D	*	A01-2727-01	METALLIC CABINET	KM1E1
203	1D	*	A01-2727-01	METALLIC CABINET	K1E2K2
203	1D	*	A01-2747-01	METALLIC CABINET	E3E4E5
203	1D	*	A01-2747-01	METALLIC CABINET	E6
204	3C	*	A21-3530-12	DRESSING PANEL	
205	3C	*	A21-3532-12	DRESSING PANEL	
206	2C	*	A22-2239-12	SUB PANEL	E3E4E5
206	2C	*	A22-2239-12	SUB PANEL	E6
206	2C	*	A22-2838-02	SUB PANEL	KM1E1
206	2C	*	A22-2838-02	SUB PANEL	K1E2K2
207	3C	*	A64-2320-01	PANEL	E1
207	3C	*	A64-2320-01	PANEL	E3KM1
207	3C	*	A64-2321-01	PANEL	K1E2E4
207	3C	*	A64-2322-01	PANEL	K2E5E6
RC1	1C	*	A70-0896-05	REMOTE CONTROLLER ASSY(RC-503)	E5E6
211	3D	*	B58-1275-04	CAUTION CARD	KM1E1
211	3D	*	B58-1275-04	CAUTION CARD	K1E2K2
211	3D	*	B58-1314-04	CAUTION CARD (TRANSPORTATIO)	E3E4E5
211	3D	*	B58-1314-04	CAUTION CARD (TRANSPORTATIO)	E6
-			B46-0100-50	WARRANTY CARD	
-			B46-0182-14	ID CARD	E1E2E3
-			B46-0182-14	ID CARD	E4E5E6
-			B58-1236-04	CAUTION CARD (CORD)	KM1E1
-			B58-1236-04	CAUTION CARD (CORD)	K1E2K2
-			B58-1285-04	CAUTION CARD (O-N FORMAT SW)	KM1K1
-			B58-1285-04	CAUTION CARD (O-N FORMAT SW)	K2
-			B58-1289-04	CAUTION CARD (O-N FORMAT SW)	E1E2
-			B58-1312-04	CAUTION CARD (13PIN CABLE)	E3E4E5
-			B58-1312-04	CAUTION CARD (13PIN CABLE)	E6
-			B58-1313-04	CAUTION CARD (O-N FORMAT SW)	E3E4E5
-			B58-1313-04	CAUTION CARD (O-N FORMAT SW)	E6
-		*	B64-1771-00	INST. MANUAL (GER,DUT,ITA)	E3E4
-		*	B64-1772-00	INST. MANUAL (ENG,FRE,SPA,POR)	E5E6
-		*	B64-1773-00	INST. MANUAL (GER,DUT,ITA)	E5E6
-		*	B64-1797-00	INST. MANUAL (ENG,FRE,SPA,POR)	KK1
-		*	B64-1797-00	INST. MANUAL (ENG,FRE,SPA,POR)	E3E4
-		*	B64-1798-00	INST. MANUAL (ENG,FRE,SPA,POR)	K2
-		*	B64-1801-00	INST. MANUAL (ENG,CHI)	M1
-		*	B64-1802-00	INST. MANUAL (ARABIC)	M1
-		*	B64-1806-00	INST. MANUAL (ENG,RUS,POL)	E1E2
-		*	B64-1807-00	INST. MANUAL (CZE,HUN,CRO)	E1E2
212	3D	*	D10-4204-13	ARM	E3E4E5
212	3D	*	D10-4204-13	ARM	E6
212	3D	*	D10-4515-03	ARM	KM1E1
212	3D	*	D10-4515-03	ARM	K1E2K2
213	1C	*	D10-4033-14	LEVER	E3E4E5
213	1C	*	D10-4033-14	LEVER	E6
213	1C	*	D10-4516-04	LEVER	KM1E1

Ref. No.	A d d	N e w	Parts No.	Description	Dest ination
213	1C	*	D10-4516-04	LEVER	K1E2K2
214	1C	*	D39-0242-05	DAMPER	
215	1C	*	E30-4291-05	CORD WITH PLUG	KM1E1
215	1C	*	E30-4291-05	CORD WITH PLUG	K1E2K2
215	1C	*	E30-4711-05	CORD WITH PLUG	E3E4E5
215	1C	*	E30-4711-05	CORD WITH PLUG	E6
215	1C	*	E30-4954-05	CORD WITH PLUG	KM1E1
215	1C	*	E30-4954-05	CORD WITH PLUG	K1E2K2
215	1C	*	E30-4955-05	CORD WITH PLUG	E3E4E5
215	1C	*	E30-4955-05	CORD WITH PLUG	E6
216	1C	*	F19-1303-04	BLIND PLATE	
-			H02-0821-03	INNER CARTON CASE	E3E4E5
-			H02-0821-03	INNER CARTON CASE	E6
-		*	H02-0828-03	INNER CARTON CASE	KM1E1
-		*	H02-0828-03	INNER CARTON CASE	K1E2K2
-		*	H10-4636-02	POLYSTYRENE FOAMED FIXTURE	E3E4E5
-			H10-4636-02	POLYSTYRENE FOAMED FIXTURE	E6
-		*	H10-4730-02	POLYSTYRENE FOAMED FIXTURE	KM1E1
-		*	H10-4730-02	POLYSTYRENE FOAMED FIXTURE	K1E2K2
-		*	H25-0337-04	PROTECTION BAG (180X300X0.03)	
-		*	H25-1115-04	PROTECTION BAG	
-		*	H54-1888-04	ITEM CARTON CASE	E3
-		*	H54-1889-04	ITEM CARTON CASE	E4
-		*	H54-1891-04	ITEM CARTON CASE	E5E6
-		*	H54-1951-04	ITEM CARTON CASE	K
-		*	H54-1952-04	ITEM CARTON CASE	K1
-		*	H54-1953-04	ITEM CARTON CASE	K2
-		*	H54-1954-04	ITEM CARTON CASE	M1
-		*	H54-1955-04	ITEM CARTON CASE	E1
-		*	H54-1956-04	ITEM CARTON CASE	E2
221	1C	*	J19-4713-13	BRACKET (L)	E3E4E5
221	1C	*	J19-4713-13	BRACKET (L)	E6
221	1C	*	J19-5020-03	BRACKET (L)	KM1E1
221	1C	*	J19-5020-03	BRACKET (L)	K1E2K2
222	1C	*	J19-4715-13	BRACKET (R)	E3E4E5
222	1C	*	J19-4715-13	BRACKET (R)	E6
222	1C	*	J19-5021-03	BRACKET (R)	KM1E1
222	1C	*	J19-5021-03	BRACKET (R)	K1E2K2
223	1C	*	J19-4941-02	HOLDER ASSY	E3E4E5
223	1C	*	J19-4941-02	HOLDER ASSY	E6
223	1C	*	J19-5075-02	HOLDER ASSY	KM1E1
223	1C	*	J19-5075-02	HOLDER ASSY	K1E2K2
224	1C	*	J21-9584-04	MOUNTING HARDWARE ASSY	M1
225	1C	*	J69-0506-04	ADHESIVE TAPE	M1
226	1C	*	J99-0604-21	TRAY	E3E4E5
226	1C	*	J99-0604-21	TRAY	E6
226	1C	*	J99-0612-01	TRAY	KM1E1
226	1C	*	J99-0612-01	TRAY	K1E2K2
227	2C	*	K24-1792-04	KNOB	E3E4E5
227	2C	*	K24-1792-04	KNOB	E6
227	2C	*	K24-3629-04	KNOB	KM1E1
227	2C	*	K24-3629-04	KNOB	K1E2K2

K: KDC-C667 M1: KDC-C667 E3: KDC-C667 E1: KDC-C667Y
 K1: KDC-C467 E4: KDC-C467 E2: KDC-C467Y
 K2: KDC-C467FM E5: KDC-C467FM E6: KDC-C467FMA

△ indicates safety critical components.

KDC-C467/Y/FM/FMA,C667/Y

PARTS LIST

* New Parts

Parts without **Parts No.** are not supplied.

Les articles non mentionnes dans le **Parts No.** ne sont pas fournis.

Teile ohne **Parts No.** werden nicht geliefert.

KDC-C467/Y/FM/FMA,C667/Y

Ref. No.	Ad	New	Parts No.	Description	Dest ination
228	1C		N99-1628-15	SCREW SET	M1
229	1C		N99-1645-15	SCREW SET	E2E3E4
229	1C		N99-1645-15	SCREW SET	KE1K1
229	1C		N99-1645-15	SCREW SET	K2E5E6
A	3D		N09-4186-25	STEPPED SCREW	E3E4E5
A	3D	*	N09-4186-25	STEPPED SCREW	E6
A	3D	*	N09-4383-05	STEPPED SCREW	KM1E1
A	3D	*	N09-4383-05	STEPPED SCREW	K1E2K2
B	2D		N89-2004-46	BINDING HEAD TAPTITE SCREW	
C	3D		N89-2606-45	BINDING HEAD TAPTITE SCREW	
ME1	2D	*	X92-4320-00	MECHANISM ASSY (CHM-2060)	KM1E1
ME1	2D	*	X92-4320-00	MECHANISM ASSY (CHM-2060)	E3
ME1	2D	*	X92-4320-01	MECHANISM ASSY (CHM-2061)	K2E5E6
ME1	2D	*	X92-4320-02	MECHANISM ASSY (CHM-2062)	K1E2E4
SUB-CIRCUIT UNIT (X13-9840-00)					
CN1			E40-9555-05	FLAT CABLE CONNECTOR (16P)	
J1			E56-0825-05	CYLINDRICAL RECEPTACLE (13P)	
SUB-CIRCUIT UNIT (X16-1010-00)					
CN1			E40-9487-05	FLAT CABLE CONNECTOR (23P)	
CN2			E40-9536-05	FLAT CABLE CONNECTOR (16P)	
S1,2			S74-0811-05	MICRO SWITCH	
CD PLAYER UNIT (X32-5090-0X)					
C2			C92-0628-05	CHIP-TAN 10UF 10WV	
C3			CK73GB1H682K	CHIP C 6800PF K	
C4			CK73GB1H152K	CHIP C 1500PF K	
C5			CC73GCH1H470J	CHIP C 47PF J	
C6			CC73GCH1H680J	CHIP C 68PF J	
C7			CC73GCH1H040C	CHIP C 4.0PF C	
C8			CC73GCH1H180J	CHIP C 18PF J	
C9			CK73GB1A224K	CHIP C 0.22UF K	
C10			CK73GB1H222K	CHIP C 2200PF K	
C11			CK73GB1H682K	CHIP C 6800PF K	
C12,13			CK73GB1H103K	CHIP C 0.010UF K	
C14-16			CK73GB1C104K	CHIP C 0.10UF K	
C17			CK73FB1A225K	CHIP C 2.2UF K	
C19			CK73FB1A225K	CHIP C 2.2UF K	
C21			CK73GB1H681K	CHIP C 680PF K	
C23			CK73EB1A475K	CHIP C 4.7UF K	
C24			CK73GB1H102K	CHIP C 1000PF K	
C34			C92-0628-05	CHIP-TAN 10UF 10WV	
C46,47			C92-1393-05	ELECTRO 10UF 16WV	
C48,49			CK73GB1H681K	CHIP C 680PF K	
C52			CK73EB1A475K	CHIP C 4.7UF K	
C55			C92-0628-05	CHIP-TAN 10UF 10WV	
C56			CK73EB1A475K	CHIP C 4.7UF K	
C59			C92-1390-05	ELECTRO 100UF 6.3WV	
C60			CK73EB1A475K	CHIP C 4.7UF K	
C61			CK73GB1C104K	CHIP C 0.10UF K	
C62			C92-1392-05	ELECTRO 100UF 10WV	
C63			CK73EB1A475K	CHIP C 4.7UF K	
C64			C92-1388-05	ELECTRO 470UF 16WV	
C67-69			CK73GB1C104K	CHIP C 0.10UF K	
C70			CC73GCH1H101J	CHIP C 100PF J	

Ref. No.	Ad	New	Parts No.	Description	Dest ination
C71 72			CK73FB1A225K	CHIP C 2.2UF K	KM1E3 E1
C73			CK73GB1C104K	CHIP C 0.10UF K	
C73			CK73GB1C104K	CHIP C 0.10UF K	
C85			CK73FB1A225K	CHIP C 2.2UF K	
C192			CK73GB1H681K	CHIP C 680PF K	
C200-206			CK73GB1C104K	CHIP C 0.10UF K	KM1E3 E1 E4E5E6
C300			C92-0712-05	CHIP-TAN 22UF 6.3WV	
C301			CK73GB1C104K	CHIP C 0.10UF K	
CN1			E40-9338-05	FLAT CABLE CONNECTOR (23P)	
CN2			E40-9404-05	FLAT CABLE CONNECTOR (16P)	
L2			L92-0322-05	CHIP FERRITE	
X1			L78-0596-05	RESONATOR (16.93MHz)	
X2			L78-0568-05	RESONATOR (12.5MHz)	
CP1			R90-0720-05	MULTI-COMP 100K X4	
CP3			R90-0720-05	MULTI-COMP 100K X4	
CP5,6			R90-1014-05	MULTI-COMP 100 X4	
CP7,8			R90-0720-05	MULTI-COMP 100K X4	
CP9			R90-0725-05	MULTI-COMP 1K X2	
CP10-12			R90-1014-05	MULTI-COMP 100 X4	KM1E3 E1 K1K2E2 E4E5E6
CP10-12			R90-1014-05	MULTI-COMP 100 X4	
CP12			R90-1014-05	MULTI-COMP 100 X4	
CP12			R90-1014-05	MULTI-COMP 100 X4	
CP14,15			R90-0720-05	MULTI-COMP 100K X4	
CP16			R90-0724-05	MULTI-COMP 1K X4	
CP17			R90-0720-05	MULTI-COMP 100K X4	
R4			RK73GB1J391J	CHIP R 390 J 1/16W	
R5			RK73GB1J302J	CHIP R 3.0K J 1/16W	
R7			RK73GB1J302J	CHIP R 3.0K J 1/16W	
R8			RK73EB2B100J	CHIP R 10 J 1/8W	
R9			RK73GB1J102J	CHIP R 1.0K J 1/16W	
R10			RK73GB1J104J	CHIP R 100K J 1/16W	
R11-14			RK73GB1J103J	CHIP R 10K J 1/16W	
R15			RK73GB1J104J	CHIP R 100K J 1/16W	
R16			RK73GB1J562J	CHIP R 5.6K J 1/16W	
R17			RK73EB2B103J	CHIP R 10K J 1/8W	
R18			RK73GB1J103J	CHIP R 10K J 1/16W	
R19			RK73GB1J333J	CHIP R 33K J 1/16W	
R20			RK73GB1J104J	CHIP R 100K J 1/16W	
R21			RK73GB1J123J	CHIP R 12K J 1/16W	
R22			RK73GB1J183J	CHIP R 18K J 1/16W	
R25			RK73GB1J113J	CHIP R 11K J 1/16W	
R26			RK73EB2B123J	CHIP R 12K J 1/8W	
R53,54			RK73GB1J681J	CHIP R 680 J 1/16W	
R57,58			RK73GB1J223J	CHIP R 22K J 1/16W	
R59			RK73GB1J914J	CHIP R 910K J 1/16W	
R60,61			RK73EB2B101J	CHIP R 100 J 1/8W	
R67			RK73GB1J124J	CHIP R 120K J 1/16W	
R68			RK73EB2B124J	CHIP R 120K J 1/8W	
R69,70			RK73GB1J303J	CHIP R 30K J 1/16W	
R71			RK73GB1J912J	CHIP R 9.1K J 1/16W	
R72,73			RK73GB1J101J	CHIP R 100 J 1/16W	
R74,75			RK73GB1J223J	CHIP R 22K J 1/16W	
R76			RK73GB1J104J	CHIP R 100K J 1/16W	

PARTS LIST

* New Parts

Parts without **Parts No.** are not supplied.

Les articles non mentionnes dans le **Parts No.** ne sont pas fournis.

Teile ohne **Parts No.** werden nicht geliefert.

CD PLAYER UNIT (X32-5090-0X)

Ref. No.	A d d	N e w	Parts No.	Description	Dest inati on
R77			RK73GB1J183J	CHIP R 18K J 1/16W	
R78			RK73GB1J104J	CHIP R 100K J 1/16W	
R79			RK73GB1J332J	CHIP R 3.3K J 1/16W	
R80			RK73GB1J102J	CHIP R 1.0K J 1/16W	
R81			RK73GB1J103J	CHIP R 10K J 1/16W	
R82-84			RK73GB1J102J	CHIP R 1.0K J 1/16W	
R85-87			RK73GB1J104J	CHIP R 100K J 1/16W	
R93			RK73GB1J224J	CHIP R 220K J 1/16W	
R95,96			RK73GB1J104J	CHIP R 100K J 1/16W	
R97,98			RK73GB1J103J	CHIP R 10K J 1/16W	
R99			RK73GB1J104J	CHIP R 100K J 1/16W	
R100,101			RK73GB1J102J	CHIP R 1.0K J 1/16W	
R102			RK73GB1J104J	CHIP R 100K J 1/16W	
R105,106			RK73GB1J102J	CHIP R 1.0K J 1/16W	
R107			RK73GB1J101J	CHIP R 100 J 1/16W	
R108			RK73GB1J104J	CHIP R 100K J 1/16W	
R110,111			RK73GB1J104J	CHIP R 100K J 1/16W	
R112			RK73GB1J103J	CHIP R 10K J 1/16W	
R120			RK73GB1J393J	CHIP R 39K J 1/16W	
R121			RK73GB1J103J	CHIP R 10K J 1/16W	
R122,123			RK73GB1J102J	CHIP R 1.0K J 1/16W	
R124			RK73GB1J223J	CHIP R 22K J 1/16W	
R127			RK73GB1J104J	CHIP R 100K J 1/16W	
R129			RK73GB1J102J	CHIP R 1.0K J 1/16W	
R133,134			RK73GB1J104J	CHIP R 100K J 1/16W	
R135-138			RK73GB1J101J	CHIP R 100 J 1/16W	
R139-143			RK73GB1J104J	CHIP R 100K J 1/16W	
R148,149			RK73GB1J101J	CHIP R 100 J 1/16W	
R150			RK73GB1J102J	CHIP R 1.0K J 1/16W	
R151			RK73GB1J471J	CHIP R 470 J 1/16W	
R152			RK73GB1J913J	CHIP R 91K J 1/16W	
R153,154			RK73GB1J472J	CHIP R 4.7K J 1/16W	
R155,156			RK73GB1J101J	CHIP R 100 J 1/16W	
R157			RK73GB1J102J	CHIP R 1.0K J 1/16W	
R157			RK73GB1J102J	CHIP R 1.0K J 1/16W	K1K2E2 E4E5E6
R161			RK73GB1J163J	CHIP R 16K J 1/16W	
R162			RK73GB1J472J	CHIP R 4.7K J 1/16W	
R190,191			RK73GB1J223J	CHIP R 22K J 1/16W	
R191			RK73GB1J123J	CHIP R 12K J 1/16W	
R205			RK73EB2B102J	CHIP R 1.0K J 1/8W	
R206			RK73GB1J102J	CHIP R 1.0K J 1/16W	
W2			R92-1252-05	CHIP R 0 OHM	
W3			R92-2053-05	CHIP R 0 J 1/8W	
W5-7			R92-1252-05	CHIP R 0 OHM	
S1			S68-0823-05	PUSH SWITCH	
S2			S70-0838-05	TACT SWITCH	
S3			S68-0823-05	PUSH SWITCH	
S4			S62-0863-05	SLIDE SWITCH	
D1			DAP202K	DIODE	
D3,4			MA3056-M	ZENER DIODE	
D5			MA8075-M	ZENER DIODE	
D7			MA3056-M	ZENER DIODE	
D8			MA8062-M	ZENER DIODE	
D9,10			M1F60	DIODE	

Ref. No.	A d d	N e w	Parts No.	Description	Dest inati on
D11			1SR154-400	DIODE	
D12			DA204U	DIODE	
D14			MA8091-M	ZENER DIODE	
D15			DAP202K	DIODE	
D16			DAP202U	DIODE	
D21,22			DAN202K	DIODE	
D23,24			DAN202U	DIODE	
IC1		*	UPD63711AGC	MOS-IC	
IC4		*	KIA78L05F	IC(VOLTAGE REGULATOR/ +5V)	
IC5		*	LA6576	ANALOGUE IC	
IC7		*	UPD784214GC091	MI-COM IC	
IC8		*	BR24C02F-W	MEMORY IC	
IC8		*	CAT24WC02JI	MEMORY IC	
IC8		*	M24C02WMN6T	MEMORY IC	
IC8		*	S-24C02BFJA	MEMORY IC	
IC8		*	24LC02BT-ISN	MEMORY IC	
IC9			S-80830ANNP	MOS-IC	
IC11			LC3564BT-70	MEMORY IC	
IC11			LC3564BT-70	MEMORY IC	
Q1			MCH6101	TRANSISTOR	KM1E3 E1
Q4			DTA124EK	DIGITAL TRANSISTOR	
Q5			DTA124EUA	DIGITAL TRANSISTOR	
Q6,7			DTC343TK	DIGITAL TRANSISTOR	
Q8			DTA124EK	DIGITAL TRANSISTOR	
Q9			2SB1202	TRANSISTOR	
Q10			2SB1295	TRANSISTOR	
Q11			DTC124EK	DIGITAL TRANSISTOR	
Q13			DTC124EUA	DIGITAL TRANSISTOR	
Q14			DTA143EUA	DIGITAL TRANSISTOR	
Q16			2SC4081	TRANSISTOR	
Q17			DTA143EK	DIGITAL TRANSISTOR	
Q18,19			DTC124EUA	DIGITAL TRANSISTOR	
Q20			DTC124EK	DIGITAL TRANSISTOR	
Q21			2SB1202	TRANSISTOR	
Q22			2SC4081	TRANSISTOR	
Q30			DTC114YUA	DIGITAL TRANSISTOR	
Q31			DTC124EUA	DIGITAL TRANSISTOR	
TH1			NTH5G20B333K07	THERMISTOR	
MECHANISM ASSY (X92-4320-0X)					
1	2B	*	A10-4745-03	CHASSIS ASSY	
2	2B	*	A10-4748-02	CHASSIS CALKING ASSY	
3	2B	*	A10-4751-03	CHASSIS CALKING ASSY	
4	3A	*	A10-4754-04	CHASSIS CALKING ASSY	
5	2A	*	A10-4763-02	CHASSIS CALKING ASSY	
6	2A	*	A10-4765-02	CHASSIS	
7	1A	*	A10-4766-02	CHASSIS CALKING ASSY	
C75	3A		C90-2945-05	ELECTRO 0.047F 5.5WV	KM1E1
C75	3A		C90-2945-05	ELECTRO 0.047F 5.5WV	K1E2E3
C75	3A		C90-2945-05	ELECTRO 0.047F 5.5WV	E4
11	2B	*	D10-4293-03	ARM	
12	2A	*	D10-4527-03	SLIDER	
13	2B	*	D10-4528-03	ARM	
14	2B	*	D10-4529-03	LEVER	
15	3A	*	D10-4531-04	LEVER ASSY	

K1: KDC-C667 M1: KDC-C667 E3: KDC-C667 E1: KDC-C667Y
 K2: KDC-C467FM E4: KDC-C467 E2: KDC-C467Y
 E5: KDC-C467FM E6: KDC-C467FMA

△ indicates safety critical components.

KDC-C467/Y/FM/FMA,C667/Y

PARTS LIST

* New Parts

Parts without **Parts No.** are not supplied.

Les articles non mentionnes dans le **Parts No.** ne sont pas fournis.

Teile ohne **Parts No.** werden nicht geliefert.

MECHANISM ASSY (X92-4320-0X)

Ref. No.	A d d	N e w	Parts No.	Description	Dest inati on
16	2A	*	D10-4533-03	LEVER	
17	2A	*	D10-4541-04	SLIDER ASSY	
18	1B	*	D10-4543-13	SLIDER	
19	3A	*	D10-4537-04	SLIDER ASSY	
20	1B	*	D10-4545-13	ARM	
21	1B	*	D10-4548-03	LEVER	
22	2B	*	D12-0630-02	CAM	
23	2B	*	D12-0631-02	CAM	
24	3B	*	D13-2185-04	GEAR	
25	3B	*	D13-2186-04	GEAR	
26	3B	*	D13-2187-04	GEAR	
27	3A	*	D13-2188-04	WORM	
28	2B	*	D13-2092-04	GEAR	
29	2B	*	D13-2093-04	GEAR ASSY	
30	2B	*	D13-2095-04	GEAR	
31	2B	*	D13-2096-04	GEAR	
32	3A	*	D13-2099-04	GEAR	
33	3A	*	D13-2100-04	GEAR	
34	3A	*	D13-2101-04	GEAR	
35	3A	*	D13-2102-04	GEAR	
36	3A	*	D13-2103-04	GEAR	
37	3A	*	D13-2104-04	GEAR	
38	3B	*	D19-0636-04	LEAD SCREW	
39	3A	*	D19-0637-04	CLUTCH ASSY	
40	3A	*	D39-0225-05	DAMPER	
FC1	3A		E39-0172-15	FLAT CABLE (23P)	
FC2	3A		E39-0173-15	FLAT CABLE (16P)	
45	3B	*	F09-1645-04	SHEET	
46	2B	*	G01-3036-04	TORSION COIL SPRING	
47	1B	*	G01-3037-04	EXTENSION SPRING	
48	2B	*	G01-3038-04	TORSION COIL SPRING	
49	3A	*	G01-3039-04	COMPRESSION SPRING	
50	3A	*	G01-3040-04	EXTENSION SPRING	
51	3A	*	G01-3041-04	EXTENSION SPRING	
52	1B	*	G01-3042-04	TORSION COIL SPRING	
53	2A	*	G01-3043-04	TORSION COIL SPRING	
54	1B	*	G01-3044-04	EXTENSION SPRING	
55	2A	*	G01-3046-04	EXTENSION SPRING (SILVER)	
56	2A	*	G01-3047-04	EXTENSION SPRING (BROWN)	
57	3B	*	G02-1374-04	FLAT SPRING	
58	3B	*	G02-1375-03	FLAT SPRING	
59	2B	*	G02-1376-03	FLAT SPRING	
61	2B	*	G02-1378-04	FLAT SPRING	
62	3A	*	G02-1380-04	FLAT SPRING	
63	2A	*	G10-1045-14	FELT	
68	2B	*	J11-0637-03	CLAMPER	
69	3B	*	J21-9592-04	MOUNTING HARDWARE	
70	1B	*	J21-9597-03	MOUNTING HARDWARE	
73	2B	*	J90-0759-03	GUIDE	
74	2A	*	J90-0760-03	RAIL	
75	2B	*	J90-0777-23	GUIDE	
FPC1	3B	*	J84-0099-05	FLEXIBLE PRINTED WIRING BOARD	

Ref. No.	A d d	N e w	Parts No.	Description	Dest inati on
A	2A		N09-4126-05	MACHINE SCREW (2X3.5,C,BLK)	
B	3A		N09-4288-05	TAPTITE SCREW (2X2.5,S)	
C	3A		N86-2005-46	BINDING HEAD TAPTITE SCREW	
D	2B		N09-4189-05	TAPTITE SCREW (1.7X1.5,S)	
E	3B		N09-4154-05	TAPTITE SCREW (2X6,P)	
F	2B		N09-4181-05	MACHINE SCREW (M1.7X3,LOCK)	
G	3B		N39-1722-46	PAN HEAD MACHIN SCREW	
H	1A		N09-4349-05	TAPTITE SCREW (2X3.5,S)	
J	3A		N19-2105-14	FLAT WASHER (1.55X3.8X0.35)	
K	3A		N19-2058-04	FLAT WASHER (1.6X4X0.25)	
L	1B		N19-2080-14	FLAT WASHER (1.55X3.8X0.3)	
M	2B		N19-2028-04	FLAT WASHER (1.6X3.5X0.25)	
76	3A	*	R33-0207-05	SLIDE TYPE VAR. R (10k B)	
M1	3B		T42-0797-04	MOTOR ASSY	
M2,3	3A		T42-0788-05	DC MOTOR	
PU1	3B	*	T25-0105-05	OPTICAL PICKUP HEAD	
Q15	3A		2SB1565(E,F)	TRANSISTOR	
RF MODULATOR					
302	1F		A01-2695-08	CASE	E5E6
302	1F		A01-2723-08	CASE	K2
303	1E		B07-2138-08	HOLDER ASSY	K2E5E6
AT1	1E		E30-4310-08	ANTENNA CORD ASSY	K2E5E6
DC1	1E		E30-4733-08	DC CORD	K2E5E6
△ F1,2	2E		F06-3026-05	FUSE (3A)	K2E5E6
V	1F		N09-4207-08	SCREW (3X6,Ni-B)	K2E5E6
W	3F		N09-4206-08	SCREW (for CN102 x2)(3X8)	K2E5E6
305	3E		T95-0244-08	DISPLAY UNIT ASSY	E5
305	3E		T95-0247-08	DISPLAY UNIT ASSY	K2
305	3E	*	T95-0251-08	DISPLAY UNIT ASSY	E6
311	1E		T90-0512-05	ANTENNA ADAPTOR	E5E6
312	1E		T90-0521-05	ANTENNA ADAPTOR	E5E6
306	1E		W01-0763-08	MAGICTAPE ASSY	K2E5E6
RF MODULATOR UNIT					
C1			C90-2583-05	ELECTRO 1000UF 16WV	K2E5E6
C2			CK73FB1H223K	CHIP C 0.022UF K	K2E5E6
C3			CE04NW1H4R7M	ELECTRO 4.7UF 50WV	K2E5E6
C6			CE04NW1C100M	ELECTRO 10UF 16WV	K2E5E6
C7			CE04NW1H010M	ELECTRO 1.0UF 50WV	K2E5E6
C8			CK73FB1H102K	CHIP C 1000PF K	K2E5E6
C9,10			CK73FB1H103K	CHIP C 0.010UF K	K2E5E6
C11,12			CC73FCH1H220J	CHIP C 22PF J	K2E5E6
C13-17			CK73FB1H102K	CHIP C 1000PF K	K2E5E6
C19			CE04DW1A101M	ELECTRO 100UF 10WV	K2E5E6
C20			CE04DW1E221M	ELECTRO 220UF 25WV	K2E5E6
C24			CE04DW1C471M	ELECTRO 470UF 16WV	K2E5E6
C30			CE04DW1A102M	ELECTRO 1000UF 10WV	K2E5E6
C31			CE04DW1A221M	ELECTRO 220UF 10WV	K2E5E6
C32			CE04DW1A101M	ELECTRO 100UF 10WV	K2E5E6
C33			C90-2583-05	ELECTRO 1000UF 16WV	K2E5E6

PARTS LIST

* New Parts

Parts without **Parts No.** are not supplied.

Les articles non mentionnes dans le **Parts No.** ne sont pas fournis.

Teile ohne **Parts No.** werden nicht geliefert.

RF MODULATOR UNIT

Ref. No.	A d d	N e w	Parts No.	Description	Dest inati on
C34			CE04NW1H010M	ELECTRO 1.0UF 50WV	K2E5E6
C35			CK73FB1H103K	CHIP C 0.010UF K	K2E5E6
C36			C90-2689-05	ELECTRO 3300UF 16WV	K2E5E6
C103			CK73FB1H103K	CHIP C 0.010UF K	K2
C103			CK73FB1H472K	CHIP C 4700PF K	E5E6
C104			CE04NW1C100M	ELECTRO 10UF 16WV	K2E5E6
C105			CE04DW1A221M	ELECTRO 220UF 10WV	K2E5E6
C106			CE04NW1C100M	ELECTRO 10UF 16WV	K2E5E6
C107			CC73FCH1H271J	CHIP C 270PF J	K2E5E6
C108			CK73FB1H102K	CHIP C 1000PF K	K2
C108			CK73FB1H681K	CHIP C 680PF K	E5E6
C109,110			CK73FF1H104Z	CHIP C 0.10UF Z	K2E5E6
C111			CE04NW1H010M	ELECTRO 1.0UF 50WV	K2E5E6
C112			CK73FB1H332K	CHIP C 3300PF K	K2E5E6
C113			CC73FCH1H181J	CHIP C 180PF J	K2E5E6
C114			CK73FB1H153K	CHIP C 0.015UF K	K2E5E6
C203			CK73FB1H103K	CHIP C 0.010UF K	K2
C203			CK73FB1H472K	CHIP C 4700PF K	E5E6
C204			CE04NW1C100M	ELECTRO 10UF 16WV	K2E5E6
C205			CE04DW1A221M	ELECTRO 220UF 10WV	K2E5E6
C206			CE04NW1C100M	ELECTRO 10UF 16WV	K2E5E6
C207			CC73FCH1H271J	CHIP C 270PF J	K2E5E6
C208			CK73FB1H102K	CHIP C 1000PF K	K2
C208			CK73FB1H681K	CHIP C 680PF K	E5E6
C209,210			CK73FF1H104Z	CHIP C 0.10UF Z	K2E5E6
C211			CE04NW1H010M	ELECTRO 1.0UF 50WV	K2E5E6
C212			CK73FB1H332K	CHIP C 3300PF K	K2E5E6
C213			CC73FCH1H181J	CHIP C 180PF J	K2E5E6
C214			CK73FB1H153K	CHIP C 0.015UF K	K2E5E6
C301			CE04NW1C100M	ELECTRO 10UF 16WV	K2E5E6
C302			CK73FB1H103K	CHIP C 0.010UF K	K2E5E6
C303			CC73FCH1H221J	CHIP C 220PF J	K2E5E6
C304			CC73FCH1H100D	CHIP C 10PF D	K2E5E6
C305			CK73FB1H103K	CHIP C 0.010UF K	K2E5E6
C306			CC73FCH1H221J	CHIP C 220PF J	K2E5E6
C308			CK73FB1H333K	CHIP C 0.033UF K	K2E5E6
C310			CC73FCH1H330J	CHIP C 33PF J	K2E5E6
C312			CK73FB1H103K	CHIP C 0.010UF K	K2E5E6
C314			CE04NW1HR22M	ELECTRO 0.22UF 50WV	K2E5E6
C315			CE04DW1A101M	ELECTRO 100UF 10WV	K2E5E6
C316			CK73FB1H103K	CHIP C 0.010UF K	K2E5E6
C317			CE04NW1H2R2M	ELECTRO 2.2UF 50WV	K2E5E6
C318,319			CK73FB1H103K	CHIP C 0.010UF K	K2E5E6
C320			CC73FCH1H181J	CHIP C 180PF J	K2E5E6
C321			CE04NW1H010M	ELECTRO 1.0UF 50WV	K2E5E6
C322			CC73FUJ1H221J	CHIP C 220PF J	K2E5E6
C323			CC73FUJ1H680J	CHIP C 68PF J	K2E5E6
C324			CC73FUJ1H150J	CHIP C 15PF J	K2E5E6
C325			CK73FB1H103K	CHIP C 0.010UF K	K2E5E6
C326			CE04DW1E470M	ELECTRO 47UF 25WV	K2E5E6
C327			CC73FUJ1H150J	CHIP C 15PF J	K2E5E6
C328			CC73FCH1H020C	CHIP C 2.0PF C	K2E5E6
C329			CC73FCH1H150J	CHIP C 15PF J	K2E5E6
C330			CK73FB1H103K	CHIP C 0.010UF K	K2E5E6
C331			CC73FCH1H010C	CHIP C 1.0PF C	K2E5E6

Ref. No.	A d d	N e w	Parts No.	Description	Dest inati on
C332			CC73FCH1H050C	CHIP C 5.0PF C	K2E5E6
C333,334			CC73FCH1H330J	CHIP C 33PF J	K2E5E6
C335			CE04NW1H4R7M	ELECTRO 4.7UF 50WV	K2E5E6
C336			CK73FB1H222K	CHIP C 2200PF K	K2E5E6
C338			CC73FCH1H050C	CHIP C 5.0PF C	K2E5E6
VC301			C05-0513-08	TRIMMER 20P	K2E5E6
CN101			E56-0811-05	CONNECTOR (8P)	K2E5E6
CN102		*	E56-0833-08	CONNECTOR (13P)	K2E5E6
CN104,105			E40-3237-05	PIN ASSY	K2E5E6
L1			L33-0934-08	CHOKING COIL	K2E5E6
L301			L33-1043-08	SMALL FIXED INDUCTOR (0.22uH)	K2E5E6
L302,303			L33-0976-08	SMALL FIXED INDUCTOR (2.2uH)	K2E5E6
L304			L33-1043-08	SMALL FIXED INDUCTOR (0.22uH)	K2E5E6
L305			L33-1042-08	SMALL FIXED INDUCTOR (0.12uH)	K2E5E6
X301			L77-2716-08	CRYSTAL RESONATOR (38KHz)	K2E5E6
X302			L77-2062-08	CRYSTAL RESONATOR (4.5MHz)	K2E5E6
R1			RD14BB2C242J	RD 2.4K J 1/6W	K2E5E6
R2			RD14BB2C222J	RD 2.2K J 1/6W	K2E5E6
R6			RK73FB2A223J	CHIP R 22K J 1/10W	K2E5E6
R7			R92-2148-08	CHIP R 22 J 2W	K2E5E6
R8			RD14BB2C223J	RD 22K J 1/6W	K2E5E6
R9			RD14BB2C222J	RD 2.2K J 1/6W	K2E5E6
R11			RD14BB2C102J	RD 1.0K J 1/6W	K2E5E6
R12			RD14BB2C103J	RD 10K J 1/6W	K2E5E6
R13			RD14BB2C104J	RD 100K J 1/6W	K2E5E6
R14			RD14BB2C332J	RD 3.3K J 1/6W	K2E5E6
R15			RD14BB2C104J	RD 100K J 1/6W	K2E5E6
R16			RD14BB2C332J	RD 3.3K J 1/6W	K2E5E6
R17			RD14BB2C102J	RD 1K J 1/6W	K2E5E6
R18			RK73FB2A104J	CHIP R 100K J 1/10W	K2E5E6
R19			RD14BB2C332J	RD 3.3K J 1/6W	K2E5E6
R20			RD14BB2C102J	RD 1K J 1/6W	K2E5E6
R21			RD14BB2C472J	RD 4.7K J 1/6W	K2E5E6
R22,23			RD14BB2C102J	RD 1.0K J 1/6W	K2E5E6
R24			RD14BB2C472J	RD 4.7K J 1/6W	K2E5E6
R25,26			RD14BB2C102J	RD 1.0K J 1/6W	K2E5E6
R27,28			RK73FB2A103J	CHIP R 10K J 1/10W	K2E5E6
R31			RK73FB2A473J	CHIP R 47K J 1/10W	K2E5E6
R33			RK73FB2A473J	CHIP R 47K J 1/10W	K2E5E6
R34			RK73FB2A182J	CHIP R 1.8K J 1/10W	K2E5E6
R35			RK73FB2A151J	CHIP R 150 J 1/10W	K2E5E6
R102			RK73FB2A152J	CHIP R 1.5K J 1/10W	K2E5E6
R103			RK73FB2A682J	CHIP R 6.8K J 1/10W	K2E5E6
R104			RK73FB2A103J	CHIP R 10K J 1/10W	K2E5E6
R105-108			R92-0363-05	CHIP R 10K F 1/10W	K2E5E6
R109			RK73FB2A182J	CHIP R 1.8K J 1/10W	K2E5E6
R110			RK73FB2A391J	CHIP R 390 J 1/10W	K2E5E6
R111			RK73FB2A102J	CHIP R 1.0K J 1/10W	K2E5E6
R112			RK73FB2A753J	CHIP R 75K J 1/10W	K2E5E6
R113			RK73FB2A104J	CHIP R 100K J 1/10W	K2E5E6
R114-116			RK73FB2A682J	CHIP R 6.8K J 1/10W	K2E5E6
R202			RK73FB2A152J	CHIP R 1.5K J 1/10W	K2E5E6
R203			RK73FB2A682J	CHIP R 6.8K J 1/10W	K2E5E6

K: KDC-C667 M1: KDC-C667 E3: KDC-C667 E1: KDC-C667Y
 K1: KDC-C467 E4: KDC-C467 E2: KDC-C467Y
 K2: KDC-C467FM E5: KDC-C467FM E6: KDC-C467FMA

△ indicates safety critical components.

KDC-C467/Y/FM/FMA,C667/Y

PARTS LIST

* New Parts

Parts without **Parts No.** are not supplied.

Les articles non mentionnes dans le **Parts No.** ne sont pas fournis.

Teile ohne **Parts No.** werden nicht geliefert.

RF MODULATOR UNIT

Ref. No.	Ad	New	Parts No.	Description	Dest ination
R204			RK73FB2A103J	CHIP R 10K J 1/10W	K2E5E6
R205-208			R92-0363-05	CHIP R 10K D 1/10W	K2E5E6
R209			RK73FB2A182J	CHIP R 1.0K J 1/10W	K2E5E6
R210			RK73FB2A391J	CHIP R 390 J 1/10W	K2E5E6
R212			RK73FB2A753J	CHIP R 75K J 1/10W	K2E5E6
R213			RK73FB2A104J	CHIP R 100K J 1/10W	K2E5E6
R214-216			RK73FB2A682J	CHIP R 6.8K J 1/10W	K2E5E6
R301			RK73FB2A154J	CHIP R 150K J 1/10W	K2E5E6
R302			RK73FB2A123J	CHIP R 12K J 1/10W	K2E5E6
R306			RK73FB2A103J	CHIP R 10K J 1/10W	K2E5E6
R307			RK73FB2A472J	CHIP R 4.7K J 1/10W	K2E5E6
R308			RK73FB2A124J	CHIP R 120K J 1/10W	E5E6
R308			RK73FB2A154J	CHIP R 150K J 1/10W	K2
R314			RK73FB2A473J	CHIP R 47K J 1/10W	K2E5E6
R316			RK73FB2A122J	CHIP R 1.2K J 1/10W	K2E5E6
R317			RK73FB2A242J	CHIP R 2.4K J 1/10W	K2E5E6
R318			RK73FB2A332J	CHIP R 2.7K J 1/10W	K2E5E6
R319			RD14BB2C122J	RD 1.2K J 1/6W	K2E5E6
R320			RK73FB2A103J	CHIP R 10K J 1/10W	K2E5E6
R322			RD14BB2C472J	RD 4.7K J 1/6W	K2E5E6
R323			RK73FB2A471J	CHIP R 470 J 1/10W	K2E5E6
R325,326			RK73FB2A223J	CHIP R 22K J 1/10W	K2E5E6
R327			RK73FB2A473J	CHIP R 47K J 1/10W	K2E5E6
R328			RK73FB2A271J	CHIP R 270 J 1/10W	K2E5E6
R329			RK73FB2A470J	CHIP R 47 J 1/10W	K2E5E6
R330			RK73FB2A331J	CHIP R 330 J 1/10W	K2E5E6
R331			RK73FB2A473J	CHIP R 47K J 1/10W	K2E5E6
R332			RK73FB2A101J	CHIP R 100 J 1/10W	K2E5E6
R333			RK73FB2A470J	CHIP R 47 J 1/10W	K2E5E6
R334			RK73FB2A472J	CHIP R 4.7K J 1/10W	K2E5E6
R337,338			RK73FB2A472J	CHIP R 4.7K J 1/10W	K2E5E6
R339,340			RK73FB2A391J	CHIP R 390 J 1/10W	K2E5E6
R343			RK73FB2A101J	CHIP R 100 J 1/10W	K2E5E6
R346			RK73FB2A472J	CHIP R 4.7K J 1/10W	K2E5E6
R348			RK73FB2A224J	CHIP R 220K J 1/10W	K2E5E6
VR301			R32-0208-08	TRIMING POT. 33K(B)	K2E5E6
VR303			R32-0207-08	TRIMING POT. 10K(B)	K2E5E6
RL1			S76-0802-08	MAGNET RELAY	K2E5E6
D1			DSK10C-ET1	DIODE	K2E5E6
D2			DSK10C-BT	DIODE	K2E5E6
D5			DSK10C-ET1	DIODE	K2E5E6
D8,9			1SS131	DIODE	K2E5E6
D12,13			1SS131	DIODE	K2E5E6
D14			DSK10C-ET1	DIODE	K2E5E6
D15			DSK10C-BT	DIODE	K2E5E6
D16			1SS131	DIODE	K2E5E6
D101			DA204K	DIODE	K2E5E6
D201			DA204K	DIODE	K2E5E6
D302			DA204K	DIODE	K2E5E6
IC1			UPC7805AHF	IC(VOLTAGE REGULATOR/ +5V)	K2E5E6
IC2			LC72329-9274	IC (MICRO COMPUTER)	K2E5E6
IC4			NJM78L05UA	IC(VOLTAGE REGULATOR/ +5V)	K2E5E6
IC101			NJM2060M	IC(OP AMP X4)	K2E5E6

Ref. No.	Ad	New	Parts No.	Description	Dest ination
IC102			NJM4565MD	IC(OP AMP X2)	K2E5E6
IC301			BA1405F	IC (MPX)	K2E5E6
IC302			NJM4565MD	IC(OP AMP X2)	K2E5E6
Q1			DTC124EK	DIGITAL TRANSISTOR	K2E5E6
Q2			2SA1782(T,U)	TRANSISTOR	K2E5E6
Q3			DTC124EK	DIGITAL TRANSISTOR	K2E5E6
Q4 .5			DTC143TK	DIGITAL TRANSISTOR	K2E5E6
Q6			DTA124EK	DIGITAL TRANSISTOR	K2E5E6
Q8			DTC143TK	DIGITAL TRANSISTOR	K2E5E6
Q9			2SC4640(T,U)	TRANSISTOR	K2E5E6
Q101			2SK2158	FET	K2E5E6
Q201			2SK2158	FET	K2E5E6
Q303			2SA1162(GR)	TRANSISTOR	K2E5E6
Q304,305			2SK2158	FET	K2E5E6
Q306			2SK508L	FET	K2E5E6
Q307			2SC2714(Y)	TRANSISTOR	K2E5E6
Q308-310			2SK2158	FET	K2E5E6
VD301			HVU306A-3	VARIABLE DIODE	K2E5E6
ZD1-7			MTZ6.2J(B)	ZENER DIODE	K2E5E6
DISPLAY UNIT					
320	2E		A02-1460-08	FRONT CASE	K2E5E6
321	3E		A02-1446-08	REAR CASE	K2E5E6
323	2E		B10-3055-08	FRONT GLASS ASSY	K2E5
323	2E	*	B10-4108-08	FRONT GLASS ASSY	E6
LCD1	3E		B38-0643-08	LCD	K2E5E6
LED1-18			B30-1459-08	LED	K2E5
LED1-18		*	B30-1626-08	LED (RED)	E6
C1			C92-0047-05	CHIP-ELE 47UF 6.3WV	K2E5E6
C2			CK73GB1H681K	CHIP C 680PF K	K2E5E6
C3			C92-0037-05	CHIP-ELE 10UF 16WV	K2E5E6
C4,5			CK73FB1H223K	CHIP C 0.022UF K	K2E5E6
CN1	3E		E30-4309-08	DIN CORD ASSY (8P)	K2E5E6
331	3E		K25-0713-08	KNOB (REP, RDM, PLAY/PAUSE)	K2E5E6
332	2E		K29-5576-08	KNOB ASSY (PWR, RESET)	K2E5E6
333	2E		K29-5585-08	KNOB (TRACK)	K2E5E6
334	3E		K29-5586-08	KNOB (DISC)	K2E5E6
Y	3E		N79-2040-45	SCREW (POWER-KEY x1)	K2E5E6
Z	3E		N79-2080-45	SCREW (REAR CASE x1)	K2E5E6
R1-3			RK73GB1J222J	CHIP R 2.2K J 1/16W	K2E5E6
R4			RK73GB1J101J	CHIP R 100 J 1/16W	K2E5E6
R5			RK73GB1J222J	CHIP R 2.2K J 1/16W	K2E5E6
R6			RK73GB1J513J	CHIP R 51K J 1/16W	K2E5E6
R7-15			RK73FB2A470J	CHIP R 47 J 1/10W	K2E5E6
R16,17			RK73GB1J102J	CHIP R 1.0K J 1/16W	K2E5E6
SW1-9			S70-0828-08	TACT SWITCH	K2E5E6
D1-5			DA204K	DIODE	K2E5E6
IC1			LC75852W	IC (LCD DRIVER)	K2E5E6
IC2			PNA4602M	IC (REMOTE SENSOR)	K2E5E6
Q1			DTC144EK	DIGITAL TRANSISTOR	K2E5E6
Q2			DTB123YK	DIGITAL TRANSISTOR	K2E5E6
Q3			DTA144EK	DIGITAL TRANSISTOR	K2E5E6

PARTS LIST

* New Parts

Parts without **Parts No.** are not supplied.

Les articles non mentionnes dans le **Parts No.** ne sont pas fournis.

Teile ohne **Parts No.** werden nicht geliefert.

DISPLAY UNIT

Ref. No.	A d d	N e w	Parts No.	Description	Dest inati on
Q4			DTC144EK	DIGITAL TRANSISTOR	K2E5E6
Q5			DTA144EK	DIGITAL TRANSISTOR	K2E5E6

Ref. No.	A d d	N e w	Parts No.	Description	Dest inati on
----------	-------------	-------------	-----------	-------------	---------------------

K: KDC-C667 **M1:** KDC-C667 **E3:** KDC-C667 **E1:** KDC-C667Y
K1: KDC-C467 **E4:** KDC-C467 **E2:** KDC-C467Y
K2: KDC-C467FM **E5:** KDC-C467FM **E6:** KDC-C467FMA

△ indicates safety critical components.