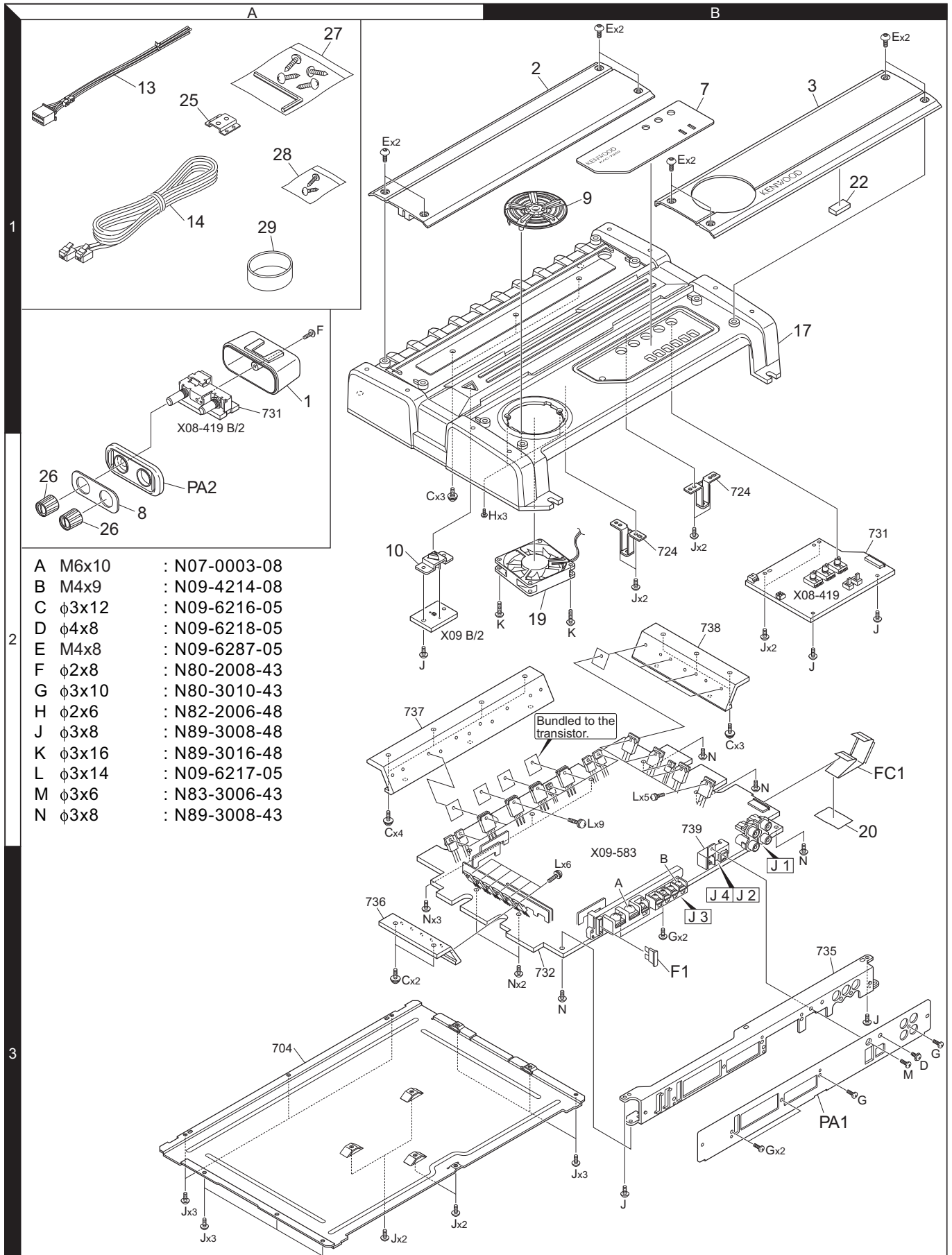


EXPLODED VIEW



Parts with the exploded numbers larger than 700 are not supplied.

PARTS LIST

* New parts

Parts without **Parts No.** are not supplied.

Les articles non mentionnés dans le **Parts No.** ne sont pas fournis.

Teile ohne **Parts No.** werden nicht geliefert.

Ref. No.	Ad	New	Parts No.	Description	Destination
KAC-7202/7252					
1	1A	*	A02-2738-02	PLASTIC CABINET (REMO)	KE1M1
2	1B	*	A21-4463-02	DRESSING PANEL	KE1M1
2	1B	*	A21-4525-02	DRESSING PANEL	K1
3	1B	*	A21-4467-02	DRESSING PANEL	K
3	1B	*	A21-4468-02	DRESSING PANEL	K1
3	1B	*	A21-4526-02	DRESSING PANEL	E1M1
PA1	3B	*	A64-3535-02	PANEL	KE1M1
PA1	3B	*	A64-3540-02	PANEL	K1
PA2	2A	*	A64-3541-12	PANEL (REMO)	KE1M1
7	1B	*	B03-5042-02	DRESSING PLATE	KE1M1
7	1B	*	B03-5043-02	DRESSING PLATE	K1
8	2A	*	B03-5049-04	DRESSING PLATE (REMO)	KE1M1
9	1B	*	B07-3130-12	ESCUTCHEON	
10	2A	*	B19-2324-03	LIGHTING BOARD	
-			B46-0100-50	WARRANTY CARD	
-		*	B58-1427-04	CAUTION CARD	
-		*	B64-3011-00	INSTRUCTI.MANUAL (ENG.FRE.SPA.)	KE1K1
-		*	B64-3012-00	INSTR.MANUAL (GER.DUT.ITA.POR.)	E1
-		*	B64-3013-00	INSTRUCTION MANUAL (ENG.T.CHL.)	M1
13	1A		E30-6145-05	CONNECTING CORD ASSY	
14	1A		E30-6240-15	MODULAR CABLE	KE1M1
FC1	2B	*	E39-0699-15	FLAT CABLE	
17	1B		F01-1770-11	HEAT SINK	
19	2B		F09-1885-15	FAN	
20	2B	*	F09-1958-04	SHEET	
F1	3B		F52-0016-05	FUSE (BLADE TYPE) 40A	
22	1B	*	G11-3647-04	CUSHION	
-		*	H10-4932-03	POLYSTYRENE FOAMED FIXTURE	
-			H25-1199-04	PROTECTION BAG	
-			H25-1200-04	PROTECTION BAG (250X350X0.03)	
-		*	H25-1216-04	PROTECTION BAG (REMO)	KE1M1
-		*	H54-3401-03	ITEM CARTON CASE	K
-		*	H54-3402-03	ITEM CARTON CASE	E1
-		*	H54-3403-03	ITEM CARTON CASE	K1
-		*	H54-3404-03	ITEM CARTON CASE	M1
25	1A	*	J22-0301-14	MOUNTING HARDWARE (REMO)	KE1M1
26	2A	*	K23-1093-03	KNOB (REMO)	KE1M1
27	1A	*	N99-1759-05	SCREW SET	
28	1A	*	N99-1766-05	SCREW SET (REMO)	KE1M1
A	3B		N07-0003-08	SEMS M6 (Au)	
B	3B		N09-4214-08	SEMS M4 (Au)	
C	2B		N09-6216-05	TAPTITE SCREW (3X12)	
D	3B		N09-6218-05	TAPTITE SCREW (4X8)	
E	1B	*	N09-6287-05	DRESSED SCREW (M4X8)	
F	1A		N80-2008-43	PAN HEAD TAPTITE SCREW	KE1M1
G	3B		N80-3010-43	PAN HEAD TAPTITE SCREW	
H	2B		N82-2006-48	BINDING HEAD TAPTITE SCREW	
J	3B		N89-3008-48	BINDING HEAD TAPTITE SCREW	
K	2B		N89-3016-48	BINDING HEAD TAPTITE SCREW	

Ref. No.	Ad	New	Parts No.	Description	Destination
29	1A		W01-1606-05	ACCESSORIES	
PREAMPLIFIER UNIT (X08-4190-1x)					
C51			CK73GB1H103K	CHIP C 0.010UF	K
C52			CD04BJ1H100M	ELECTRO 10UF	50WV
C53			CK73GB1H103K	CHIP C 0.010UF	K
C54			CD04BJ1H100M	ELECTRO 10UF	50WV
C57-60			CK73GB1H103K	CHIP C 0.010UF	K
C103,104			CK73GB1C104K	CHIP C 0.10UF	K
C105,106			CK73FB1C224K	CHIP C 0.22UF	K
C107,108			CD04BJ1H100M	ELECTRO 10UF	50WV
C109,110			CK73GB1C104K	CHIP C 0.10UF	K
C112,113			CK73GB1H103K	CHIP C 0.010UF	K
C115,116			CK73GB1C104K	CHIP C 0.10UF	K
C117,118			CC73GCH1H470J	CHIP C 47PF	J
C123,124			CD04BJ1H100M	ELECTRO 10UF	50WV
C152			CK73GB1C104K	CHIP C 0.10UF	K
C153			CK73FB1C154K	CHIP C 0.15UF	K
C154			CK73GB1E223K	CHIP C 0.022UF	K
C155			CK73GB1C104K	CHIP C 0.10UF	K
C156			CK73FB1C154K	CHIP C 0.15UF	K
C157			CK73GB1E333K	CHIP C 0.033UF	K
C158			CD04AS1C100M	ELECTRO 10UF	16WV
C602			CK73GB1H103K	CHIP C 0.010UF	K
C603			CD04BJ1E470M	ELECTRO 47UF	25WV
C604			CD04BJ1H100M	ELECTRO 10UF	50WV
CN1			E41-0941-05	PIN ASSY	
CN3			E41-0942-05	PIN ASSY	
CN8	*		E41-2277-05	FLAT CABLE CONNECTOR	
J1	*		E58-0966-15	RECTANGULAR RECEPTACLE	KE1M1
R104			RK73GB2A563J	CHIP R 56K	J 1/10W
R105,106			RK73GB2A822J	CHIP R 8.2K	J 1/10W
R107,108			RK73GB2A912J	CHIP R 9.1K	J 1/10W
R109			RK73GB2A563J	CHIP R 56K	J 1/10W
R110,111			RK73GB2A473J	CHIP R 47K	J 1/10W
R121			RK73GB2A622J	CHIP R 6.2K	J 1/10W
R122			RK73GB2A103J	CHIP R 10K	J 1/10W
R123,124			RK73GB2A473J	CHIP R 47K	J 1/10W
R126			RK73GB2A472J	CHIP R 4.7K	J 1/10W
R128			RK73GB2A432J	CHIP R 4.3K	J 1/10W
R129,130			RK73GB2A302J	CHIP R 3.0K	J 1/10W
R131,132			RK73GB2A222J	CHIP R 2.2K	J 1/10W
R133-136			RK73GB2A103J	CHIP R 10K	J 1/10W
R137,138			RK73GB2A393J	CHIP R 39K	J 1/10W
R139,140			RK73GB2A183J	CHIP R 18K	J 1/10W
R141,142			RK73GB2A393J	CHIP R 39K	J 1/10W
R143,144			RK73GB2A223J	CHIP R 22K	J 1/10W
R145,146			RK73GB2A163J	CHIP R 16K	J 1/10W
R147,148			RK73GB2A223J	CHIP R 22K	J 1/10W
R152,153			RK73GB2A153J	CHIP R 15K	J 1/10W
R154			RK73GB2A332J	CHIP R 3.3K	J 1/10W
R155			RK73GB2A153J	CHIP R 15K	J 1/10W
R156			RK73GB2A222J	CHIP R 2.2K	J 1/10W
R157			RK73GB2A473J	CHIP R 47K	J 1/10W
R158			RK73GB2A752J	CHIP R 7.5K	J 1/10W

K : KAC-7252 K1 : KAC-7202 (North America)

E1 : KAC-7252 (Europe) M1 : KAC-7252 (Other Areas)

△ Indicates safety critical components.

PARTS LIST

PREAMPLIFIER UNIT (X08-4190-1x)

Ref. No.	Add	New	Parts No.	Description	Destination
R159			RK73GB2A103J	CHIP R 10K J 1/10W	
R160			RK73GB2A222J	CHIP R 2.2K J 1/10W	
R161			RK73GB2A224J	CHIP R 220K J 1/10W	
R162			RK73GB2A123J	CHIP R 12K J 1/10W	
R163			RK73GB2A473J	CHIP R 47K J 1/10W	
R601			RK73EB2E821J	CHIP R 820 J 1/4W	
R603			RK73EB2E100J	CHIP R 10 J 1/4W	
R604			RK73GB2A100J	CHIP R 10 J 1/10W	
R623			RK73GB2A202J	CHIP R 2.0K J 1/10W	KE1M1
R624			RK73GB2A822J	CHIP R 8.2K J 1/10W	KE1M1
VR4			R31-0246-05	VARIABLE RESISTOR	
VR61,62		*	R31-0243-05	VARIABLE RESISTOR	KE1M1
VR101			R31-0241-05	VARIABLE RESISTOR	
VR102			R31-0244-05	VARIABLE RESISTOR	K1
VR152			R31-0241-05	VARIABLE RESISTOR	
W51-54			R92-1252-05	CHIP R 0 OHM J 1/16W	
W55-58			R92-2053-05	CHIP R 0 OHM J 1/8W	
W59			R92-1252-05	CHIP R 0 OHM J 1/16W	
W60-62			R92-2053-05	CHIP R 0 OHM J 1/8W	
W151,152			R92-1252-05	CHIP R 0 OHM J 1/16W	KE1M1
W251			R92-2053-05	CHIP R 0 OHM J 1/8W	K1
W252-254			R92-1252-05	CHIP R 0 OHM J 1/16W	K1
W255			R92-2053-05	CHIP R 0 OHM J 1/8W	K1
W256-258			R92-1252-05	CHIP R 0 OHM J 1/16W	K1
W259,260			R92-2053-05	CHIP R 0 OHM J 1/8W	K1
W261-265			R92-1252-05	CHIP R 0 OHM J 1/16W	K1
W266			R92-2053-05	CHIP R 0 OHM J 1/8W	K1
W267-271			R92-1252-05	CHIP R 0 OHM J 1/16W	K1
W272			R92-2053-05	CHIP R 0 OHM J 1/8W	K1
W273-275			R92-1252-05	CHIP R 0 OHM J 1/16W	K1
W276,277			R92-2053-05	CHIP R 0 OHM J 1/8W	K1
S1			S62-0873-05	SLIDE SWITCH	
S6			S62-0874-05	SLIDE SWITCH	
D614			LM1MA142WK-G	DIODE	
IC1-3			RC4580IDR	ANALOGUE IC	KE1M1
IC1-7			RC4580IDR	ANALOGUE IC	K1

AUDIO UNIT (X09-5830-1x)

D609			B30-1601-05	LED	
C1			C90-5557-05	ELECTRO 10UF 25WV	
C2-5			CD04BJ1E470M	ELECTRO 47UF 25WV	
C6,7			C90-5690-05	ELECTRO 4700UF 56WV	
C8,9			CQ92FM1H152J	MYLAR 1500PF J	
C10,11			CD04BC1C392M	ELECTRO 3900UF 16WV	
C13		*	C90-5563-05	ELECTRO 2.2UF 50WV	
C14			CK73FB1H104K	CHIP C 0.10UF K	
C15			CD04BJ1E470M	ELECTRO 47UF 25WV	
C16			CD04BJ1H100M	ELECTRO 10UF 50WV	
C17			CQ92FM1H102J	MYLAR 1000PF J	
C18			CQ92FM1H222J	MYLAR 2200PF J	
C19,20			CQ92FM1H473J	MYLAR 0.047UF J	
C101,102			CK73GB1H102K	CHIP C 1000PF K	
C103			CK73FB1H104K	CHIP C 0.10UF K	
C104,105			CD04BJ1H100M	ELECTRO 10UF 50WV	

Ref. No.	Add	New	Parts No.	Description	Destination
C108,109			CD04BJ1H100M	ELECTRO 10UF 50WV	
C110			CQ92FM1H102J	MYLAR 1000PF J	
C111,112			CC73GCH1H150J	CHIP C 15PF J	
C113-116			CC73GCH1H101J	CHIP C 100PF J	
C117,118		*	CD04BJ1V220M	ELECTRO 22UF 35WV	
C119,120			CC73GCH1H151J	CHIP C 150PF J	
C121,122			CK73GB1H103K	CHIP C 0.010UF K	
C123-126			CD04BJ1H100M	ELECTRO 10UF 50WV	KE1M1
C123,124			CD04BJ1H100M	ELECTRO 10UF 50WV	K1
C127,128			CK73GB1C104K	CHIP C 0.10UF K	KE1M1
C129,130			CD04BJ1H100M	ELECTRO 10UF 50WV	KE1M1
C131			CD04BJ1H010M	ELECTRO 1.0UF 50WV	KE1M1
C132			CD04BJ1E470M	ELECTRO 47UF 25WV	KE1M1
C133,134			CK73GB1C104K	CHIP C 0.10UF K	KE1M1
C135-137			CD04BJ1H100M	ELECTRO 10UF 50WV	KE1M1
C138,139			CK73GB1C104K	CHIP C 0.10UF K	KE1M1
C140,141			CC73GCH1H470J	CHIP C 47PF J	KE1M1
C142-145			CD04BJ1H100M	ELECTRO 10UF 50WV	KE1M1
C146-148			CC73GCH1H101J	CHIP C 100PF J	KE1M1
C149-152			CD04BJ1H100M	ELECTRO 10UF 50WV	
C153			CC73GCH1H101J	CHIP C 100PF J	KE1M1
C155,156			CD04BJ1H100M	ELECTRO 10UF 50WV	KE1M1
C157,158			CK73GB1H103K	CHIP C 0.010UF K	
C161			CD04BJ1H010M	ELECTRO 1.0UF 50WV	KE1M1
C165-170			CC73GCH1H151J	CHIP C 150PF J	
C201,202			CD04BJ1H100M	ELECTRO 10UF 50WV	
C203,204			CC45FSL1H471J	CERAMIC 470PF J	
C205,206			CK73GB1H472K	CHIP C 4700PF K	
C207,208			CD04BJ1E470M	ELECTRO 47UF 25WV	
C209,210			CC45FSL1H120J	CERAMIC 12PF J	
C211,212			CC45FSL1H331J	CERAMIC 330PF J	
C213,214			CC45FSL1H220J	CERAMIC 22PF J	
C215,216			CD04BJ1H100M	ELECTRO 10UF 50WV	
C217,218			CC45FSL1H220J	CERAMIC 22PF J	
C219-222			CK73GB1H102K	CHIP C 1000PF K	
C223		*	CD04BJ1J101M	ELECTRO 100UF 63WV	
C225,226			CC45FSL1H471J	CERAMIC 470PF J	
C227,228			CC73GCH1H470J	CHIP C 47PF J	
C261		*	CD04BJ1J101M	ELECTRO 100UF 63WV	
C263,264			CC45FSL1H221J	CERAMIC 220PF J	
C601		*	CD04BJ1E330M	ELECTRO 33UF 25WV	
C602-605			CD04BJ1H100M	ELECTRO 10UF 50WV	
C606		*	CD04BJ0J101M	ELECTRO 100UF 6.3WV	
C607			CK73GB1H103K	CHIP C 0.010UF K	
C608		*	CD04BJ0J101M	ELECTRO 100UF 6.3WV	
C609,610			CK73GB1H103K	CHIP C 0.010UF K	
C611			CD04BJ1H010M	ELECTRO 1.0UF 50WV	
C612			CD04BJ1H100M	ELECTRO 10UF 50WV	
C613,614			CK73GB1H103K	CHIP C 0.010UF K	
C615			CD04BJ1H100M	ELECTRO 10UF 50WV	
C616			CK73FB1H104K	CHIP C 0.10UF K	
C617,618			CD04BJ1H100M	ELECTRO 10UF 50WV	
CN1		*	E41-2277-05	FLAT CABLE CONNECTOR	
J1		*	E63-0921-05	PIN JACK	KE1M1

K : KAC-7252 K1 : KAC-7202 (North America)
 E1 : KAC-7252 (Europe) M1 : KAC-7252 (Other Areas)

△ Indicates safety critical components.

PARTS LIST

AUDIO UNIT (X09-5830-1x)

Ref. No.	A d d	N e w	Parts No.	Description	Desti- nation
J1		*	E63-0926-05	PIN JACK	K1
J2		*	E58-1031-05	RECTANGULAR RECEPTACLE	
J3			E70-0838-05	SCREW TERMINAL BOARD	KE1M1
J3		*	E70-0843-05	SCREW TERMINAL BOARD	K1
J4		*	E58-0966-15	RECTANGULAR RECEPTACLE	KE1M1
WH1		*	E39-0710-05	WIRING HARNESS	
L1,2			L33-1937-05	CHOKE COIL	
L3		*	L19-0771-05	TRANSFORMER FOR CONVERTER	
G	3B		N80-3010-43	PAN HEAD TAPTITE SCREW	
L	2B		N09-6217-05	TAPTITE SCREW (3X14)	
M	3B		N83-3006-43	PAN HEAD TAPTITE SCREW	
N	2B		N89-3008-43	BINDING HEAD TAPTITE SCREW	
R3,4			RD14BB2C133J	RD 13K J 1/6W	
R5,6			RD14BB2C333J	RD 33K J 1/6W	
R7,8			RD14DB2H100J	SMALL-RD 10 J 1/2W	
R9,10			RK73GB2A472J	CHIP R 4.7K J 1/10W	
R11,12			RK73GB2A100J	CHIP R 10 J 1/10W	
R13,14			RK73GB2A560J	CHIP R 56 J 1/10W	
R15,16			RK73GB2A152J	CHIP R 1.5K J 1/10W	
R17,18			RK73GB2A273J	CHIP R 27K J 1/10W	
R19			RK73GB2A103J	CHIP R 10K J 1/10W	
R20			RK73GB2A334J	CHIP R 330K J 1/10W	
R21			RK73GB2A103J	CHIP R 10K J 1/10W	
R22			RK73GB2A913J	CHIP R 91K J 1/10W	
R23			RK73GB2A103J	CHIP R 10K J 1/10W	
R24			RK73GB2A163J	CHIP R 16K J 1/10W	
R25			RK73GB2A682J	CHIP R 6.8K J 1/10W	
R26			RK73GB2A104J	CHIP R 100K J 1/10W	
R27			RK73GB2A102J	CHIP R 1.0K J 1/10W	
R28-30			RD14DB2H100J	SMALL-RD 10 J 1/2W	
R101,102			RD14BB2C102J	RD 1.0K J 1/6W	
R103,104			RK73GB2A103J	CHIP R 10K J 1/10W	
R105,106			RK73GB2A102J	CHIP R 1.0K J 1/10W	
R107,108			RD14BB2C131J	RD 130 J 1/6W	
R109,110			RK73GB2A472J	CHIP R 4.7K J 1/10W	
R111			RD14BB2C102J	RD 1.0K J 1/6W	
R112-119			RN73GH1J103D	CHIP R 10K D 1/16W	
R120,121			RK73GB2A1R0J	CHIP R 1.0 J 1/10W	
R122,123			RD14BB2C222J	RD 2.2K J 1/6W	
R124-127			RD14BB2C473J	RD 47K J 1/6W	
R128,129			RK73GB2A103J	CHIP R 10K J 1/10W	
R130,131			RK73GB2A433J	CHIP R 43K J 1/10W	
R132,133			RK73GB2A222J	CHIP R 2.2K J 1/10W	KE1M1
R134,135			RK73GB2A223J	CHIP R 22K J 1/10W	KE1M1
R136-139			RK73GB2A103J	CHIP R 10K J 1/10W	KE1M1
R140,141			RK73GB2A163J	CHIP R 16K J 1/10W	KE1M1
R142,143			RK73GB2A103J	CHIP R 10K J 1/10W	KE1M1
R145,146			RK73GB2A102J	CHIP R 1.0K J 1/10W	KE1M1
R147,148			RK73GB2A474J	CHIP R 470K J 1/10W	KE1M1
R149,150			RK73GB2A163J	CHIP R 16K J 1/10W	KE1M1
R151,152			RK73GB2A102J	CHIP R 1.0K J 1/10W	KE1M1
R153			RK73GB2A471J	CHIP R 470 J 1/10W	KE1M1
R154			RK73GB2A272J	CHIP R 2.7K J 1/10W	KE1M1

Ref. No.	A d d	N e w	Parts No.	Description	Desti- nation
R155			R92-0205-05	METAL-PLATE 0.1 K 2W	
R156			RK73GB2A103J	CHIP R 10K J 1/10W	KE1M1
R157,158			RK73GB2A331J	CHIP R 330 J 1/10W	KE1M1
R159,160			RK73GB2A242J	CHIP R 2.4K J 1/10W	KE1M1
R161-164			RK73GB2A223J	CHIP R 22K J 1/10W	KE1M1
R165,166			RK73GB2A473J	CHIP R 47K J 1/10W	KE1M1
R167,168			RK73EB2E181J	CHIP R 180 J 1/4W	KE1M1
R169			RD14BB2C101J	RD 100 J 1/6W	KE1M1
R170			RK73GB2A103J	CHIP R 10K J 1/10W	
R171			RD14BB2C101J	RD 100 J 1/6W	KE1M1
R172-175			RD14NB2E4R7J	RD 4.7 J 1/4W	
R176			RK73GB2A473J	CHIP R 47K J 1/10W	KE1M1
R177			RD14BB2C101J	RD 100 J 1/6W	KE1M1
R178			RD14BB2C8R2J	RD 8.2 J 1/6W	
R179			RD14BB2C101J	RD 100 J 1/6W	KE1M1
R181			RK73GB2A103J	CHIP R 10K J 1/10W	
R184-187			RD14BB2C103J	RD 10K J 1/6W	
R201			RK73GB2A103J	CHIP R 10K J 1/10W	
R202			RD14NB2E100J	RD 10 J 1/4W	
R203,204			RD14BB2C223J	RD 22K J 1/6W	
R205-208			RK73GB2A102J	CHIP R 1.0K J 1/10W	
R209,210			RK73GB2A101J	CHIP R 100 J 1/10W	
R211,212			RD14BB2C102J	RD 1.0K J 1/6W	
R213,214			RD14BB2C223J	RD 22K J 1/6W	
R215-218			RK73GB2A151J	CHIP R 150 J 1/10W	
R219-222			RD14BB2C622J	RD 6.2K J 1/6W	
R223,224			RK73GB2A151J	CHIP R 150 J 1/10W	
R225,226			RK73GB2A511J	CHIP R 510 J 1/10W	
R227,228			RK73GB2A103J	CHIP R 10K J 1/10W	
R229-232			RK73GB2A153J	CHIP R 15K J 1/10W	
R233-236			RD14NB2E101J	RD 100 J 1/4W	
R237,238			RK73GB2A222J	CHIP R 2.2K J 1/10W	
R239,240			RK73GB2A182J	CHIP R 1.8K J 1/10W	
R241,242			RK73GB2A682J	CHIP R 6.8K J 1/10W	
R243			R92-0205-05	METAL-PLATE 0.1 K 2W	
R245-248			R92-0205-05	METAL-PLATE 0.1 K 2W	
R249,250			RK73GB2A222J	CHIP R 2.2K J 1/10W	
R251			RK73GB2A330J	CHIP R 33 J 1/10W	
R257,258			R92-0205-05	METAL-PLATE 0.1 K 2W	
R260			RK73GB2A330J	CHIP R 33 J 1/10W	
R261,262			RD14NB2E471J	RD 470 J 1/4W	
R263,264			RK73GB2A152J	CHIP R 1.5K J 1/10W	
R265,266			RK73GB2A103J	CHIP R 10K J 1/10W	
R271,272			RD14NB2E471J	RD 470 J 1/4W	
R280			RK73GB2A103J	CHIP R 10K J 1/10W	
R282			RK73GB2A332J	CHIP R 3.3K J 1/10W	
R284			RK73GB2A332J	CHIP R 3.3K J 1/10W	
R285			RK73GB2A103J	CHIP R 10K J 1/10W	
R287			RK73GB2A103J	CHIP R 10K J 1/10W	
R289,290			RK73GB2A101J	CHIP R 100 J 1/10W	
R341-344			RD14NB2E4R7J	RD 4.7 J 1/4W	
R406			RD14BB2C222J	RD 2.2K J 1/6W	
R602			RK73GB2A473J	CHIP R 47K J 1/10W	
R603			RK73GB2A101J	CHIP R 100 J 1/10W	
R604			RK73GB2A103J	CHIP R 10K J 1/10W	

K : KAC-7252 K1 : KAC-7202 (North America)
E1 : KAC-7252 (Europe) M1 : KAC-7252 (Other Areas)

△ Indicates safety critical components.

PARTS LIST

AUDIO UNIT (X09-5830-1x)

Ref. No.	Add	New	Parts No.	Description	Destination	Ref. No.	Add	New	Parts No.	Description	Destination
R605			RK73GB2A333J	CHIP R 33K J 1/10W		W315			R92-2053-05	CHIP R 0 OHM J 1/8W	
R606			RK73GB2A103J	CHIP R 10K J 1/10W		W317-322			R92-1252-05	CHIP R 0 OHM J 1/16W	
R607			RK73GB2A472J	CHIP R 4.7K J 1/10W		W323			R92-2053-05	CHIP R 0 OHM J 1/8W	
R608			RD14BB2E103J	RD 10K J 1/4W		W324			R92-1252-05	CHIP R 0 OHM J 1/16W	
R609			RK73GB2A333J	CHIP R 33K J 1/10W		W325			R92-2053-05	CHIP R 0 OHM J 1/8W	
R610			RK73GB2A303J	CHIP R 30K J 1/10W		W326-329			R92-1252-05	CHIP R 0 OHM J 1/16W	
R611,612			RK73GB2A362J	CHIP R 3.6K J 1/10W		W330			R92-2053-05	CHIP R 0 OHM J 1/8W	
R613			RK73GB2A152J	CHIP R 1.5K J 1/10W		W331-337			R92-1252-05	CHIP R 0 OHM J 1/16W	
R614			RK73GB2A332J	CHIP R 3.3K J 1/10W		W338,339			R92-2053-05	CHIP R 0 OHM J 1/8W	
R615			RK73GB2A392J	CHIP R 3.9K J 1/10W		W340			R92-1252-05	CHIP R 0 OHM J 1/16W	
R616			RD14BB2C392J	RD 3.9K J 1/6W		W342,343			R92-2053-05	CHIP R 0 OHM J 1/8W	
R617			RK73GB2A123J	CHIP R 12K J 1/10W		W344			R92-1252-05	CHIP R 0 OHM J 1/16W	
R618			RK73GB2A104J	CHIP R 100K J 1/10W		W345-348			R92-2053-05	CHIP R 0 OHM J 1/8W	
R619			RD14BB2C4R7J	RD 4.7 J 1/6W		W349,350			R92-1252-05	CHIP R 0 OHM J 1/16W	
R620,621			RK73GB2A473J	CHIP R 47K J 1/10W		W351			R92-2053-05	CHIP R 0 OHM J 1/8W	
R622,623			RK73GB2A103J	CHIP R 10K J 1/10W		W352-356			R92-1252-05	CHIP R 0 OHM J 1/16W	
R624,625			RK73GB2A154J	CHIP R 150K J 1/10W		W357			R92-2053-05	CHIP R 0 OHM J 1/8W	
R626			RK73GB2A681J	CHIP R 680 J 1/10W		W358,359			R92-1252-05	CHIP R 0 OHM J 1/16W	
R627			RK73GB2A102J	CHIP R 1.0K J 1/10W		W361-364			R92-2053-05	CHIP R 0 OHM J 1/8W	
R629			RK73GB2A103J	CHIP R 10K J 1/10W		W366-368			R92-1252-05	CHIP R 0 OHM J 1/16W	
R630			RK73GB2A473J	CHIP R 47K J 1/10W		W369			R92-2053-05	CHIP R 0 OHM J 1/8W	
R631,632			RK73GB2A123J	CHIP R 12K J 1/10W		W370			R92-1252-05	CHIP R 0 OHM J 1/16W	
R633			RK73GB2A622J	CHIP R 6.2K J 1/10W		W371			R92-2053-05	CHIP R 0 OHM J 1/8W	
R634			RK73GB2A222J	CHIP R 2.2K J 1/10W		W372,373			R92-1252-05	CHIP R 0 OHM J 1/16W	
R635			RK73GB2A103J	CHIP R 10K J 1/10W		W374			R92-2053-05	CHIP R 0 OHM J 1/8W	
R636			RK73GB2A104J	CHIP R 100K J 1/10W		W375-378			R92-1252-05	CHIP R 0 OHM J 1/16W	
R637			RK73GB2A154J	CHIP R 150K J 1/10W		W379-381			R92-2053-05	CHIP R 0 OHM J 1/8W	
R638			RK73GB2A223J	CHIP R 22K J 1/10W		W382,383			R92-1252-05	CHIP R 0 OHM J 1/16W	
R639			RK73GB2A103J	CHIP R 10K J 1/10W		W384,385			R92-2053-05	CHIP R 0 OHM J 1/8W	
R642			RK73GB2A752J	CHIP R 7.5K J 1/10W		W386-389			R92-1252-05	CHIP R 0 OHM J 1/16W	
R643			RK73GB2A104J	CHIP R 100K J 1/10W		W390,391			R92-2053-05	CHIP R 0 OHM J 1/8W	
R646			RK73GB2A183J	CHIP R 18K J 1/10W		W392			R92-1252-05	CHIP R 0 OHM J 1/16W	
R647			RK73GB2A104J	CHIP R 100K J 1/10W		W393			R92-2053-05	CHIP R 0 OHM J 1/8W	
R648			RK73GB2A102J	CHIP R 1.0K J 1/10W		W501,502			R92-1252-05	CHIP R 0 OHM J 1/16W	K1
R649			RK73GB2A473J	CHIP R 47K J 1/10W		D1,2			RM4ZLF-J1NF	DIODE	
R650			RK73GB2A333J	CHIP R 33K J 1/10W		D3,4			02DZ16F-Y	ZENER DIODE	
R651			RK73GB2A102J	CHIP R 1.0K J 1/10W		D5			FCH10A20	DIODE	
R652			RK73GB2A392J	CHIP R 3.9K J 1/10W		D6			FRH10A20	DIODE	
R653			RK73GB2A273J	CHIP R 27K J 1/10W		D7-9			1SS133	DIODE	
R656			RK73GB2A273J	CHIP R 27K J 1/10W		D10			LM1MA142WK-G	DIODE	
R657			RK73GB2A152J	CHIP R 1.5K J 1/10W		D101			LM1MA142WK-G	DIODE	
R658			RK73GB2A563J	CHIP R 56K J 1/10W		D102			LM1MA142WA-G	DIODE	
R659			RK73GB2A562J	CHIP R 5.6K J 1/10W		D103			UMZ6.8N	ZENER DIODE	
R660,661			RK73GB2A473J	CHIP R 47K J 1/10W		D104,105			LM1MA142WK-G	DIODE	
R662,663			RK73GB2A103J	CHIP R 10K J 1/10W		D106,107			LM1MA142WA-G	DIODE	
R664			RK73GB2A473J	CHIP R 47K J 1/10W		D108			1SS133	DIODE	KE1M1
R665,666			RK73GB2A682J	CHIP R 6.8K J 1/10W		D109	*		02DZ5.1F-Y	ZENER DIODE	KE1M1
R667,668			RK73GB2A470J	CHIP R 47 J 1/10W		D152			1SS133	DIODE	
VR1,2		*	R32-0294-05	SEMI FIXED VARIABLE RESISTOR		D203-206			1SS133	DIODE	
W301			R92-2053-05	CHIP R 0 OHM J 1/8W		D229			LM1MA142WA-G	DIODE	
W302-307			R92-1252-05	CHIP R 0 OHM J 1/16W		D251			1SS133	DIODE	
W308			R92-2053-05	CHIP R 0 OHM J 1/8W		D253			LM1MA142WK-G	DIODE	
W309-311			R92-1252-05	CHIP R 0 OHM J 1/16W		D254			LM1MA142WA-G	DIODE	
W312,313			R92-2053-05	CHIP R 0 OHM J 1/8W		D255			LM1MA142WK-G	DIODE	
W314			R92-1252-05	CHIP R 0 OHM J 1/16W							

K : KAC-7252 K1 : KAC-7202 (North America)
 E1 : KAC-7252 (Europe) M1 : KAC-7252 (Other Areas)

△ Indicates safety critical components.

PARTS LIST

AUDIO UNIT (X09-5830-1x)

Ref. No.	A d d	N e w	Parts No.	Description	Desti- nation	Ref. No.	A d d	N e w	Parts No.	Description	Desti- nation
D260,261 D295 D601-603 D604 D605			1SS133 LM1MA142WA-G 1SS133 * 02DZ10F-Y 1SS133	DIODE DIODE DIODE ZENER DIODE DIODE		Q605,606 Q607,608 Q609 Q610-613 Q614,615			2SC4081 2SA992-A(F,E) 2SD1863 2SC945AA(Q,P) 2SA1576A	TRANSISTOR TRANSISTOR TRANSISTOR TRANSISTOR TRANSISTOR	
D606 D607 D608 D610-613 D614		*	02DZ15F-Y 02DZ6.8F-Y * 02DZ12F-Y 1SS133 * 02DZ10F-Y	ZENER DIODE ZENER DIODE ZENER DIODE DIODE ZENER DIODE		Q616 Q617 Q618 Q619,620 Q621			2SC4081 2SA1576A 2SC4081 DTC114EUA DTA114EUA	TRANSISTOR TRANSISTOR TRANSISTOR DIGITAL TRANSISTOR DIGITAL TRANSISTOR	
D615,616 D617 IC1 IC5 IC6			1SS133 LM1MA142WK-G RC4580IDR * TL494IDR RC4580IDR	DIODE DIODE ANALOGUE IC ANALOGUE IC ANALOGUE IC		Q622,623 TH201,202 TH601,602 TH605			DTC114EUA NT732ATTD103J NT732ATTD103J NT732ATTD103J	DIGITAL TRANSISTOR THERMISTOR THERMISTOR THERMISTOR	
IC7-9 IC12 IC12,13 IC15,16 IC16			NJM2172V-ZBTE2 RC4580IDR RC4580IDR RC4580IDR RC4580IDR	ANALOGUE IC ANALOGUE IC ANALOGUE IC ANALOGUE IC ANALOGUE IC	KE1M1 K1 KE1M1 KE1M1 K1						
Q1 Q2 Q3-8 Q9 Q10,11			2SD2012-F 2SB1375-F 2SK3662-F 2SC4097 2SA1577	TRANSISTOR TRANSISTOR FET TRANSISTOR TRANSISTOR							
Q12 Q13,14 Q101 Q201-204 Q205-208			2SC4097 DTA114EUA 2SC4081 2SA992-A(F,E) 2SC3478AA(L,K)	TRANSISTOR DIGITAL TRANSISTOR TRANSISTOR TRANSISTOR TRANSISTOR	KE1M1						
Q209,210 Q211 Q213 Q215,216 Q217,218		*	2SA1376AA(L,K) * 2SC3419(Y)-F * 2SC3419(Y)-F 2SC1845-A(F,E) 2SA992-A(F,E)	TRANSISTOR TRANSISTOR TRANSISTOR TRANSISTOR TRANSISTOR							
Q220 Q222 Q223,224 Q225,226 Q227		*	2SC4467NF * 2SA1694NF 2SC4467NF * 2SA1694NF 2SC4467NF	TRANSISTOR TRANSISTOR TRANSISTOR TRANSISTOR TRANSISTOR							
Q229 Q241,242 Q251 Q252 Q253		*	2SA1694NF 2SC4081 2SC2235-F 2SA965-F 2SC2235-F	TRANSISTOR TRANSISTOR TRANSISTOR TRANSISTOR TRANSISTOR							
Q254,255 Q256 Q257 Q258 Q280			2SA965-F 2SC2235-F 2SA965-F 2SC2235-F 2SC4081	TRANSISTOR TRANSISTOR TRANSISTOR TRANSISTOR TRANSISTOR							
Q282 Q601 Q602 Q603 Q604			2SC4081 2SC1845-A(F,E) 2SC4081 2SA1576A 2SB1241	TRANSISTOR TRANSISTOR TRANSISTOR TRANSISTOR TRANSISTOR							

K : KAC-7252 K1 : KAC-7202 (North America)
E1 : KAC-7252 (Europe) M1 : KAC-7252 (Other Areas)

△ Indicates safety critical components.