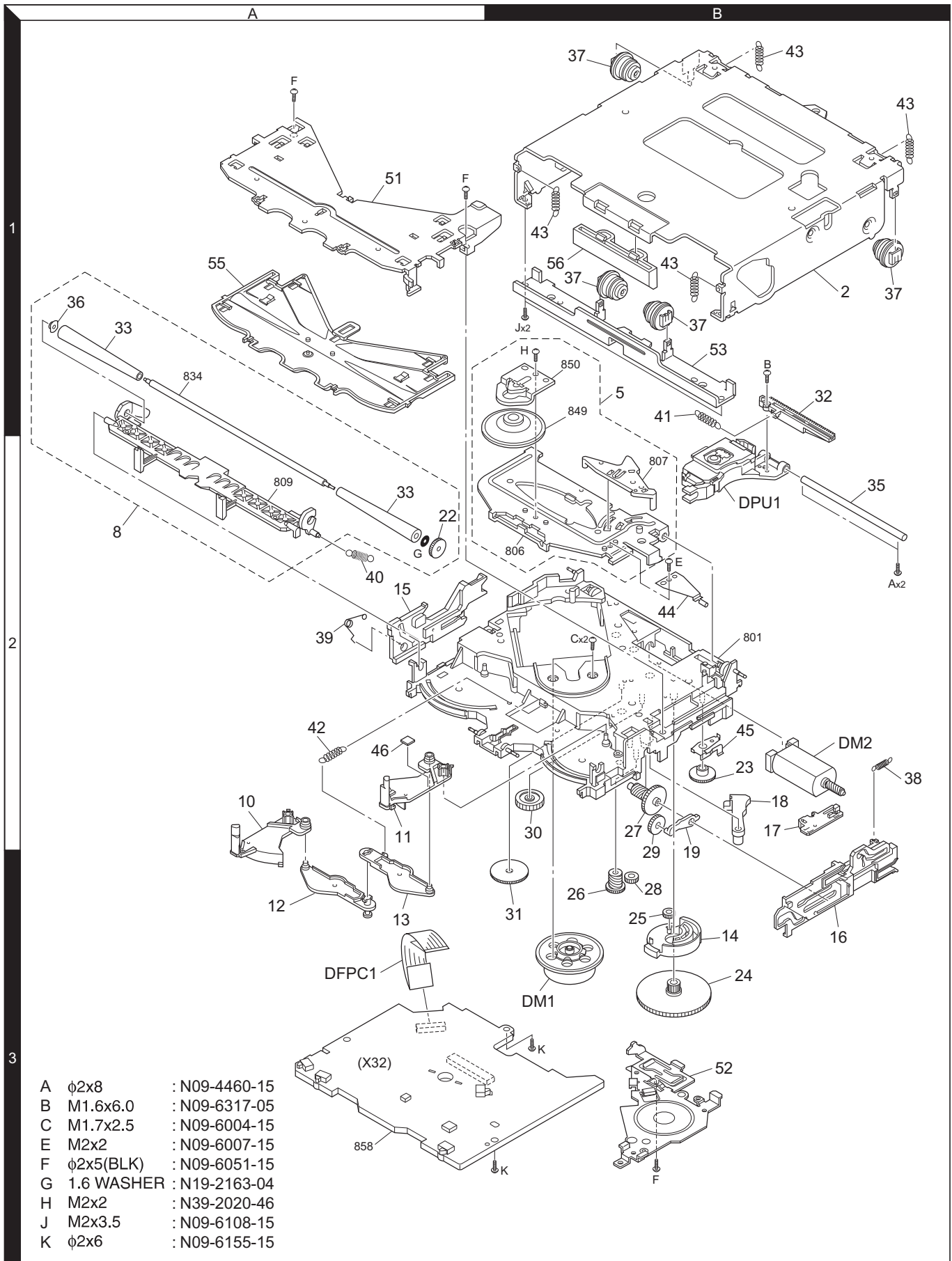
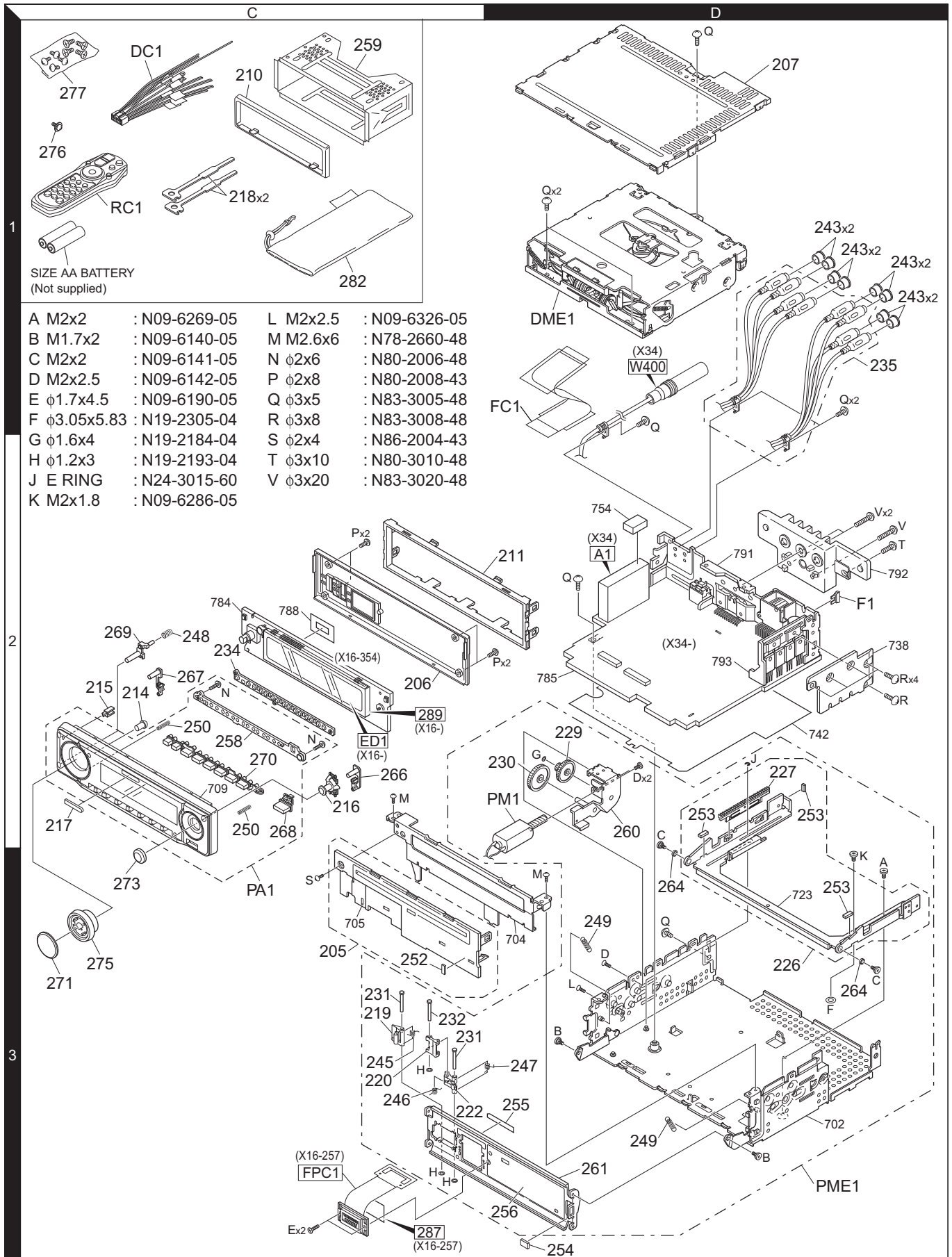


KDC-MP732

EXPLODED VIEW (CD MECHANISM)



EXPLODED VIEW (UNIT)



Parts with the exploded numbers larger than 700 are not supplied.

KDC-MP732

PARTS LIST

* New parts

Parts without **Parts No.** are not supplied.

Les articles non mentionnés dans le **Parts No.** ne sont pas fournis.

Teile ohne **Parts No.** werden nicht geliefert.

Ref. No.	A d d	N e w	Parts No.	Description	Desti- nation
KDC-MP732					
205	3C		A22-3023-22	SUB PANEL ASSY	
206	2C		A46-1817-01	REAR COVER	
207	1D		A52-0845-12	TOP PLATE	
PA1	3C	*	A64-3732-02	PANEL ASSY	
PME1	3D		A10-5205-22	CHASSIS ASSY	
RC1	1C		A70-2067-15	REMOTE CONTROLLER ASSY (RC-527)	
-			B46-0681-04	ID CARD	
-			B46-0682-00	WARRANTY CARD	
-			B58-1426-04	CAUTION CARD	
-		*	B64-3301-00	INSTRUCTION MANUAL (ENGLISH)	
-		*	B64-3302-00	INSTRUCTION MANUAL (FRENCHV)	
-		*	B64-3303-00	INSTRUCTION MANUAL (SPANISH)	
210	1C		B07-3126-01	ESCUTCHEON	
211	2C		B07-3095-02	ESCUTCHEON	
214	2C	*	B10-4837-04	FRONT GLASS (RC-SENSOR)	
215	2C	*	B19-2359-04	LIGHTING BOARD	
216	2C	*	B19-2360-03	LIGHTING BOARD (JOG-BASE)	
217	2C		B43-1518-04	BADGE	
218	1C		D10-4589-04	LEVER	
219	3C		D10-4805-03	LEVER	
220	3C		D10-4806-03	LEVER	
222	3C		D10-4807-13	LEVER	
226	3D		D10-4875-13	SLIDER ASSY	
227	2D		D13-2318-13	RACK (GEAR)	
229	2D		D13-2320-04	GEAR	
230	2D		D13-2321-04	GEAR	
231	3C		D21-2442-04	SHAFT	
232	3C		D21-2443-04	SHAFT	
234	2C		E29-2026-03	CONDUCTIVE RUBBER	
235	1D		E30-6436-05	CORD WITH PINPLUG	
DC1	1C		E30-6428-05	DC CORD	
FC1	1D		E39-0736-05	FLAT CABLE (24P)	
243	1D		F29-0626-04	INSULATING COVER	
F1	2D		F52-0023-05	FUSE (MINI BLADE TYPE) 10A	
245	3C		G01-3210-04	TORSION COIL SPRING	
246	3C		G01-3211-04	TORSION COIL SPRING	
247	3D		G01-3212-04	TORSION COIL SPRING	
248	2C		G01-3213-04	COMPRESSION SPRING	
249	3D		G01-3215-04	EXTENSION SPRING	
250	2C	*	G01-3291-04	COMPRESSION SPRING	
252	3C		G11-3594-04	CUSHION	
253	2D		G11-3646-04	CUSHION	
254	3D	*	G16-1606-04	SHEET	
255	3D		G16-1482-14	SHEET	
256	3D		G16-1483-04	SHEET	
-			H10-4925-02	POLYSTYRENE FOAMED FIXTURE	
-			H25-0329-04	PROTECTION BAG (280X450X0.03)	
-			H25-0337-04	PROTECTION BAG (180X300X0.03)	
-		*	H54-3653-03	ITEM CARTON CASE	
258	2C		J19-7053-02	HOLDER	

(North America)

Ref. No.	A d d	N e w	Parts No.	Description	Desti- nation
259	1C		J21-9716-03	MOUNTING HARDWARE ASSY	
260	2D		J22-0114-03	MOUNTING HARDWARE ASSY	
261	3D		J22-0263-02	MOUNTING HARDWARE	
264	3D		J31-1062-04	COLLAR	
266	2C	*	K24-4429-03	PUSH KNOB (EJECT)	
267	2C	*	K24-4432-03	PUSH KNOB (ATT)	
268	2C		K24-4292-03	PUSH KNOB (SRC)	
269	2C	*	K24-4435-03	PUSH KNOB (RELEASE)	
270	2C	*	K25-1780-02	PUSH KNOB (PRESET)	
271	3C		K28-0103-03	KEY TOP (VOL)	
273	3C		K28-0106-03	KEY TOP (CONTROL)	
275	3C	*	K29-7194-03	KNOB (VOL)	
276	1C		N09-6280-05	TAPPING SCREW	
277	1C		N99-1758-05	SCREW SET	
A	3D		N09-6269-05	STEPPED SCREW (M2X2)	
B	3D		N09-6140-05	STEPPED SCREW (M1.7X2)	
C	3D		N09-6141-05	STEPPED SCREW (M2X2)	
D	3D		N09-6142-05	MACHINE SCREW (M2X2.5)	
E	3C		N09-6190-05	TAPPING SCREW (1.7X4.5)	
F	3D		N19-2305-04	FLAT WASHER (3.05X5.83)	
G	2D		N19-2184-04	FLAT WASHER (1.6X4.0)	
H	3C		N19-2193-04	FLAT WASHER (1.2X3)	
J	2D		N24-3015-60	E TYPE RETAINING RING	
K	2D		N09-6286-05	STEPPED SCREW (M2X1.8)	
L	3D		N09-6326-05	MACHINE SCREW (M2X2.5)	
M	2C		N78-2660-48	PAN HEAD TAPTITE SCREW	
N	2C		N80-2006-48	PAN HEAD TAPTITE SCREW	
P	2C		N80-2008-43	PAN HEAD TAPTITE SCREW	
Q	1D		N83-3005-48	PAN HEAD TAPTITE SCREW	
R	2D		N83-3008-48	PAN HEAD TAPTITE SCREW	
S	3C		N86-2004-43	BINDING HEAD TAPTITE SCREW	
PM1	2D		T42-1086-14	MOTOR ASSY	
282	1C		W01-1661-05	CARRYING CASE	
DME1	1D		X92-5470-00	CD MECHANISM ASSY (DXM-6680W)	
SUB-CIRCUIT UNIT (X16-2570-10)					
J1		*	E58-1038-05	RECTANGULAR RECEPTACLE	
287	3C		F20-2284-14	INSULATING SHEET	
FPC1	3C		J86-0003-05	FPC (LEAD FREE)	
SWITCH UNIT (X16-3540-10)					
D1-3			B30-1605-05	LED (2COLOR PG/RED)	
D5-7			B30-1729-05	LED (1608,BLUE)	
D8-12			B30-1605-05	LED (2COLOR PG/RED)	
D13-15			B30-1729-05	LED (1608,BLUE)	
D16-18			B30-1605-05	LED (2COLOR PG/RED)	
C2-4			CK73GB1H103K	CHIP C 0.010UF K	
C6-8			CK73GB1H103K	CHIP C 0.010UF K	
C10			CK73GB1A105K	CHIP C 1.0UF K	
C16-18			CK73GB1H103K	CHIP C 0.010UF K	
C20-23			CK73GB1H103K	CHIP C 0.010UF K	
C24,25			CK73GB1H473K	CHIP C 0.047UF K	

△ Indicates safety critical components.

PARTS LIST

SWITCH UNIT (X16-3540-10)

Ref. No.	Add	New	Parts No.	Description	Destination	Ref. No.	Add	New	Parts No.	Description	Destination
C26,27			CK73GB1H103K	CHIP C 0.010UF K		R18			RK73GB2A473J	CHIP R 47K J 1/10W	
C28,29			CK73GB1A105K	CHIP C 1.0UF K		R20			RK73GB2A332J	CHIP R 3.3K J 1/10W	
C30			CK73GB1H103K	CHIP C 0.010UF K		R23,24			RK73GB2A472J	CHIP R 4.7K J 1/10W	
C31			CC73GCH1H221J	CHIP C 220PF J		R26			RK73GB2A223J	CHIP R 22K J 1/10W	
C32			CK73FB1A225K	CHIP C 2.2UF K		R27,28			RK73GB2A103J	CHIP R 10K J 1/10W	
C33			CK73GB1H103K	CHIP C 0.010UF K		R29			RK73GB2A102J	CHIP R 1.0K J 1/10W	
C34			CK73GB1C224K	CHIP C 0.22UF K		R30			RK73GB2A223J	CHIP R 22K J 1/10W	
C35,36			CK73GB1H103K	CHIP C 0.010UF K		R33			RK73GB2A102J	CHIP R 1.0K J 1/10W	
C37			C93-1217-05	CHIP C 0.047UF 100WV		R34			RK73GB2A101J	CHIP R 100 J 1/10W	
C38			CK73FB1A225K	CHIP C 2.2UF K		R36			RK73GB2A101J	CHIP R 100 J 1/10W	
C39			CK73FB0J106K	CHIP C 10UF K		R37			RK73GB2A473J	CHIP R 47K J 1/10W	
C40			CK73GB1H104K	CHIP C 0.10UF K		R38			RK73GB2A102J	CHIP R 1.0K J 1/10W	
C41,42			CK73FB0J106K	CHIP C 10UF K		R39-41			RK73GB2A473J	CHIP R 47K J 1/10W	
C43			CC73GCH1H101J	CHIP C 100PF J		R42			RK73GB2A472J	CHIP R 4.7K J 1/10W	
C44			CK73GB1H104K	CHIP C 0.10UF K		R43,44			RK73PB2H120J	CHIP R 12 J 1/2W	
J1			E59-0846-05	RECTANGULAR PLUG		R45			RK73EB2E101J	CHIP R 100 J 1/4W	
289	2C		J19-7054-03	HOLDER		R47-49			RK73EB2E101J	CHIP R 100 J 1/4W	
X1			L78-1208-05	RESONATOR (6.6M)		R50			RK73EB2E102J	CHIP R 1.0K J 1/4W	
CP2			RK74HB1J223J	CHIP-COM 22K J 1/16W		R52			RK73GB2A223J	CHIP R 22K J 1/10W	
CP3			RK74GA1J223J	CHIP-COM 22K J 1/16W		R53			RK73GB2A222J	CHIP R 2.2K J 1/10W	
CP4			RK74HB1J472J	CHIP-COM 4.7K J 1/16W		R54			RK73EB2E333J	CHIP R 33K J 1/4W	
CP5			RK74GA1J332J	CHIP-COM 3.3K J 1/16W		R55			RK73GB2A473J	CHIP R 47K J 1/10W	
CP6			RK74GA1J473J	CHIP-COM 47K J 1/16W		R56			RK73GB2A222J	CHIP R 2.2K J 1/10W	
CP7			RK74HB1J473J	CHIP-COM 47K J 1/16W		R58			RK73GB2A222J	CHIP R 2.2K J 1/10W	
CP8			RK74GA1J331J	CHIP-COM 330 J 1/16W		R59			RK73GB2A473J	CHIP R 47K J 1/10W	
CP9-14			RK74HB1J331J	CHIP-COM 330 J 1/16W		R60			RK73FB2B220J	CHIP R 22 J 1/8W	
CP15			RK74HB1J223J	CHIP-COM 22K J 1/16W		R61			RK73GB2A104J	CHIP R 100K J 1/10W	
CP16			RK74HB1J331J	CHIP-COM 330 J 1/16W		R62			RK73PB2H2R7J	CHIP R 2.7 J 1/2W	
CP17			RK74HB1J223J	CHIP-COM 22K J 1/16W		R64			RK73GB2A223J	CHIP R 22K J 1/10W	
CP18			RK74HB1J331J	CHIP-COM 330 J 1/16W		R66			RK73EB2E821J	CHIP R 820 J 1/4W	
CP19			RK74HB1J223J	CHIP-COM 22K J 1/16W		W1,2			R92-2053-05	CHIP R 0 OHM J 1/8W	
CP20			RK74GA1J101J	CHIP-COM 100 J 1/16W		S2			S70-0901-05	TACT SWITCH	
CP21			RK74HB1J331J	CHIP-COM 330 J 1/16W		S17,18			S70-0901-05	TACT SWITCH	
CP22			RK74HB1J223J	CHIP-COM 22K J 1/16W		S19	*		S70-0941-05	TACT SWITCH	
CP23			RK74HB1J101J	CHIP-COM 100 J 1/16W		S1			T99-0456-15	ROTARY ENCODER	
CP24			RK74HB1J102J	CHIP-COM 1.0K J 1/16W		D22,23			DA204U	DIODE	
CP25			RK74HB1J332J	CHIP-COM 3.3K J 1/16W		ED1	*		JN12823AB	FLUORESCENT INDICATOR TUBE	
CP26			RK74HB1J223J	CHIP-COM 22K J 1/16W		IC1	*		MX231613T11V7	ROM IC	
CP27			RK74HB1J101J	CHIP-COM 100 J 1/16W		IC4	*		703134GJ013-A	MICROCONTROLLER IC	
CP28			RK74GA1J101J	CHIP-COM 100 J 1/16W		IC5			BD5237FVE	ANALOGUE IC	
CP29			RK74HB1J101J	CHIP-COM 100 J 1/16W		IC6			PNA4S22M02KW	ANALOGUE IC	
CP30			RK74HB1J102J	CHIP-COM 1.0K J 1/16W		IC7			TC74LVX08FT	MOS-IC	
CP31			RK74HB1J223J	CHIP-COM 22K J 1/16W		IC8			TC7WT126FU-F	MOS-IC	
CP34			RK74HB1J473J	CHIP-COM 47K J 1/16W		IC9			TC7SH32FU-F	MOS-IC	
CP35			RK74GA1J223J	CHIP-COM 22K J 1/16W		IC10			SI-3025KMNF	ANALOGUE IC	
R2			RK73FB2B681J	CHIP R 680 J 1/8W		IC11			SI-3033LUSNF	ANALOGUE IC	
R3,4			RK73FB2B361J	CHIP R 360 J 1/8W		Q1,2			2SC4617	TRANSISTOR	
R5-7			RK73EB2E471J	CHIP R 470 J 1/4W		Q3-5			2SD2351(W)	TRANSISTOR	
R8			RK73FB2B271J	CHIP R 270 J 1/8W		Q6			2SB1689	TRANSISTOR	
R9			RK73GB2A333J	CHIP R 33K J 1/10W		Q7			2SA1774	TRANSISTOR	
R11			RK73GB2A223J	CHIP R 22K J 1/10W		Q8			DTC143ZE	DIGITAL TRANSISTOR	
R13			RK73GB2A222J	CHIP R 2.2K J 1/10W		Q9			2SC4617	TRANSISTOR	
R17			RK73GB2A472J	CHIP R 4.7K J 1/10W		Q10			2SA1774	TRANSISTOR	

(North America)

△ Indicates safety critical components.

PARTS LIST

SWITCH UNIT (X16-3540-10)

Ref. No.	A d d	N e w	Parts No.	Description	Desti- nation
Q11			2SC2713-F	TRANSISTOR	
Q12			2SC4667-F	TRANSISTOR	
Q13			2SB1198K	TRANSISTOR	
CD PLAYER UNIT (X32-5860-00)					
C1,2			CK73GB1A105K	CHIP C 1.0UF K	
C3,4			CC73GCH1H681J	CHIP C 680PF J	
C5,6			CC73GCH1H680J	CHIP C 68PF J	
C7,8			CK73GB1H222K	CHIP C 2200PF K	
C9			CK73GB1H104K	CHIP C 0.10UF K	
C10			CK73FB0J106K	CHIP C 10UF K	
C11			CK73GB1H103K	CHIP C 0.010UF K	
C12			CK73GB1A105K	CHIP C 1.0UF K	
C20			CC73GCH1H391J	CHIP C 390PF J	
C21			CK73GB1H472K	CHIP C 4700PF K	
C22			CK73GB1H152K	CHIP C 1500PF K	
C23			CC73GCH1H391J	CHIP C 390PF J	
C24			CK73EB1A475K	CHIP C 4.7UF K	
C25			CK73FB0J106K	CHIP C 10UF K	
C30			CK73GB1H104K	CHIP C 0.10UF K	
C31			CK73GB1A105K	CHIP C 1.0UF K	
C32			CK73GB1H104K	CHIP C 0.10UF K	
C34			CK73FB0J475K	CHIP C 4.7UF K	
C35			CK73GB1H104K	CHIP C 0.10UF K	
C38-40			CK73GB1H104K	CHIP C 0.10UF K	
C41			CK73GB0J225K	CHIP C 2.2UF K	
C42			CK73GB1A105K	CHIP C 1.0UF K	
C43			C92-1792-05	ELECTRO 22UF 6.3WV	
C46			CK73GB1H104K	CHIP C 0.10UF K	
C50			CK73GB1H104K	CHIP C 0.10UF K	
C51			CK73GB1H102K	CHIP C 1000PF K	
C52			CK73GB0J225K	CHIP C 2.2UF K	
C53,54			CK73GB0J475K	CHIP C 4.7UF K	
C55			CK73FB0J106K	CHIP C 10UF K	
C56,57			CK73GB1H104K	CHIP C 0.10UF K	
C58			CK73FB0J475K	CHIP C 4.7UF K	
C60			CK73GB0J225K	CHIP C 2.2UF K	
C61			CK73GB1H104K	CHIP C 0.10UF K	
C62			CK73FB0J475K	CHIP C 4.7UF K	
C63			CK73GB0J225K	CHIP C 2.2UF K	
C64			CK73GB1H152K	CHIP C 1500PF K	
C65,66			CK73GB1H102K	CHIP C 1000PF K	
C67			CK73GB1H152K	CHIP C 1500PF K	
C68			CK73GB1H103K	CHIP C 0.010UF K	
C69			CK73GB1H332K	CHIP C 3300PF K	
C70			CK73GB1H682K	CHIP C 6800PF K	
C71			CK73GB1H104K	CHIP C 0.10UF K	
C72			CK73GB1H103K	CHIP C 0.010UF K	
C73			CC73GCH1H120J	CHIP C 12PF J	
C74			CC73GCH1H060D	CHIP C 6.0PF D	
C75			CK73GB1H104K	CHIP C 0.10UF K	
C76			CC73GCH1H030C	CHIP C 3.0PF C	
C77			CC73GCH1H020C	CHIP C 2.0PF C	
C78			CK73GB0J225K	CHIP C 2.2UF K	
C79,80			CK73GB1H104K	CHIP C 0.10UF K	

(North America)

Ref. No.	A d d	N e w	Parts No.	Description	Desti- nation
C81,82			CC73GCH1H470J	CHIP C 47PF J	
C83			CK73GB1H103K	CHIP C 0.010UF K	
C85			CK73FB0J106K	CHIP C 10UF K	
C96			CK73GB0J475K	CHIP C 4.7UF K	
C100			CK73GB1C224K	CHIP C 0.22UF K	
C101			CK73GB1H103K	CHIP C 0.010UF K	
CN1			E41-2083-15	FLAT CABLE CONNECTOR	
CN2			E41-2297-05	FLAT CABLE CONNECTOR	
X1			L78-0862-05	RESONATOR (16.00MHZ)	
X2			L78-0851-05	RESONATOR (16.93MHZ)	
CP1			RK74GA1J101J	CHIP-COM 100 J 1/16W	
CP2			RK74GA1J472J	CHIP-COM 4.7K J 1/16W	
CP4,5			RK74GA1J101J	CHIP-COM 100 J 1/16W	
CP6,7			RK74HB1J103J	CHIP-COM 10K J 1/16W	
CP8-11			RK74HB1J101J	CHIP-COM 100 J 1/16W	
CP12			RK74GA1J101J	CHIP-COM 100 J 1/16W	
CP13			RK74GA1J103J	CHIP-COM 10K J 1/16W	
CP14			RK74GA1J101J	CHIP-COM 100 J 1/16W	
CP27			RK74GB1J472J	CHIP-COM 4.7K J 1/16W	
CP28			RK74GB1J103J	CHIP-COM 10K J 1/16W	
R1,2			RK73GH2A103D	CHIP R 10K D 1/10W	
R3,4			RK73GB2A272J	CHIP R 2.7K J 1/10W	
R5,6			RK73GB2A752J	CHIP R 7.5K J 1/10W	
R7,8			RK73GB2A333J	CHIP R 33K J 1/10W	
R9,10			RK73GH2A103D	CHIP R 10K D 1/10W	
R11,12			RK73GB2A331J	CHIP R 330 J 1/10W	
R14-16			RK73GB2A2R2J	CHIP R 2.2 J 1/10W	
R20			RK73GB2A123J	CHIP R 12K J 1/10W	
R21			RK73GB2A133J	CHIP R 13K J 1/10W	
R22,23			RK73GB2A123J	CHIP R 12K J 1/10W	
R24			RK73GB2A432J	CHIP R 4.3K J 1/10W	
R25			RK73GB2A472J	CHIP R 4.7K J 1/10W	
R26			RK73GB2A183J	CHIP R 18K J 1/10W	
R27			RK73GB2A163J	CHIP R 16K J 1/10W	
R28			RK73GB2A133J	CHIP R 13K J 1/10W	
R29			RK73GB2A102J	CHIP R 1.0K J 1/10W	
R30			RK73GB2A101J	CHIP R 100 J 1/10W	
R31			RK73GB2A133J	CHIP R 13K J 1/10W	
R40-44			RK73GB2A103J	CHIP R 10K J 1/10W	
R48			RK73GB2A472J	CHIP R 4.7K J 1/10W	
R50-52			RK73GB2A103J	CHIP R 10K J 1/10W	
R55			RK73GB2A103J	CHIP R 10K J 1/10W	
R56			RK73GB2A101J	CHIP R 100 J 1/10W	
R57			RK73GB2A472J	CHIP R 4.7K J 1/10W	
R70			RK73GB2A102J	CHIP R 1.0K J 1/10W	
R71			RK73GB2A101J	CHIP R 100 J 1/10W	
R72			RK73GB2A333J	CHIP R 33K J 1/10W	
R74			RK73GB2A333J	CHIP R 33K J 1/10W	
R75			RK73GB2A750J	CHIP R 75 J 1/10W	
R78			RK73GB2A103J	CHIP R 10K J 1/10W	
R79			RK73GB2A333J	CHIP R 33K J 1/10W	
R80,81			RK73GB2A682J	CHIP R 6.8K J 1/10W	
R88			RK73GB2A472J	CHIP R 4.7K J 1/10W	

△ Indicates safety critical components.

PARTS LIST

CD PLAYER UNIT (X32-5860-00)

Ref. No.	Add	New	Parts No.	Description	Destination	Ref. No.	Add	New	Parts No.	Description	Destination
R89			RK73GB2A104J	CHIP R 100K J 1/10W		C63			CK73FB0J106K	CHIP C 10UF K	
R90			RK73GB2A4R7J	CHIP R 4.7 J 1/10W		C64			CK73GB1H103K	CHIP C 0.010UF K	
R91			RK73GB2A910J	CHIP R 91 J 1/10W		C67			CK73GB1H103K	CHIP C 0.010UF K	
R92			RK73GB2A225J	CHIP R 2.2M J 1/10W		C68			CK73GB1H104K	CHIP C 0.10UF K	
R93			RK73GB2A103J	CHIP R 10K J 1/10W		C69			CK73FB0J106K	CHIP C 10UF K	
R100			RK73GB2A470J	CHIP R 47 J 1/10W		C71			CK73GB1H104K	CHIP C 0.10UF K	
R101			RK73GB2A102J	CHIP R 1.0K J 1/10W		C72			CK73GB1H683K	CHIP C 0.068UF K	
R102			RK73GB2A272J	CHIP R 2.7K J 1/10W		C73			CK73EB1C106K	CHIP C 10UF K	
R103,104			RK73GB2A223J	CHIP R 22K J 1/10W		C74			CD04BK1E101M	ELECTRO 100UF 25WV	
R112,113			RK73GB2A100J	CHIP R 10 J 1/10W		C75			CD04BF1E101M	ELECTRO 100UF 25WV	
R150			RK73GB2A103J	CHIP R 10K J 1/10W		C76			CK73GB1C224K	CHIP C 0.22UF K	
R151			RK73GB2A2R2J	CHIP R 2.2 J 1/10W		C81			C93-1382-05	CHIP C 1UF K	
R152			RK73EB2E3R3J	CHIP R 3.3 J 1/4W		C82			C93-1381-05	CHIP C 1UF K	
W1			R92-1252-05	CHIP R 0 OHM J 1/16W		C84			C93-1381-05	CHIP C 1UF K	
W20,21			R92-1252-05	CHIP R 0 OHM J 1/16W		C85			C93-1382-05	CHIP C 1UF K	
S1,2			S68-0863-05	PUSH SWITCH		C86			CK73EB1E105K	CHIP C 1.0UF K	
S3			S68-0862-05	PUSH SWITCH		C87			CK73GB1H103K	CHIP C 0.010UF K	
D1			DAP202U	DIODE		C88			CK73GB1C224K	CHIP C 0.22UF K	
IC1			TAR5S33-F	ANALOGUE IC		C100			CK73GB1H104K	CHIP C 0.10UF K	
IC2			NJM4580V-ZB	ANALOGUE IC		C102,103			CC73GCH1H220J	CHIP C 22PF J	
IC3			BA5824FP	ANALOGUE IC		C104-106			CK73GB1H103K	CHIP C 0.010UF K	
IC4			703030BYGCJ21A	MICROCONTROLLER IC		C107			CK73GB1H102K	CHIP C 1000PF K	
IC5			XC6219B332MR	ANALOGUE IC		C109-113			CK73GB1H103K	CHIP C 0.010UF K	
IC6			BA33BC0WFP	ANALOGUE IC		C114			CD04AS0J470M	ELECTRO 47UF 6.3WV	
IC7			UPD63763CGJ	MOS-IC		C200,201			CK73GB1H103K	CHIP C 0.010UF K	
IC9			BR24L02FV-W	ROM IC		C202			CK73GB1H102K	CHIP C 1000PF K	
IC11			TC7SET32FU-F	MOS-IC		C203			CK73GB1H223K	CHIP C 0.022UF K	
Q1			2SA1576A	TRANSISTOR		C204			CK73GB1H103K	CHIP C 0.010UF K	
Q4			2SB0970	TRANSISTOR		C205			CK73FB1C105K	CHIP C 1.0UF K	
Q5			DTA143XUA	DIGITAL TRANSISTOR		C300			CD04AS1C470M	ELECTRO 47UF 16WV	
Q6			DTC143XUA	DIGITAL TRANSISTOR		C301			CD04AT1H010M	ELECTRO 1UF 50WV	
Q7			DTA143XUA	DIGITAL TRANSISTOR		C302			CD04AS1H4R7M	ELECTRO 4.7UF 50WV	
Q8			DTC143XUA	DIGITAL TRANSISTOR		C303,304			CD04AS1H3R3M	ELECTRO 3.3UF 50WV	
ELECTRIC UNIT (X34-3730-11)						C305			CK73FB1C105K	CHIP C 1.0UF K	
D451			B30-1567-05	LED (1608,RED)		C306			CK73GB1H103K	CHIP C 0.010UF K	
C1			C90-6744-05	ELECTRO 3900UF 16WV		C307			CE32CL1C100M	CHIP EL 10UF 16WV	
C10			CK73FB1C105K	CHIP C 1.0UF K		C308,309			CD04AS1H2R2M	ELECTRO 2.2UF 50WV	
C11			CD04AY1A221M	ELECTRO 220UF 10WV		C310,311			CK73FB1E474K	CHIP C 0.47UF K	
C20			CD04BA0J101M	ELECTRO 100UF 6.3WV		C364,365			CD04AS1H010M	ELECTRO 1UF 50WV	
C21			C90-5692-05	ELECTRO 220UF 16WV		C369			CK73FB1C105K	CHIP C 1.0UF K	
C22			CK73GB1H103K	CHIP C 0.010UF K		C384			CK73FB1C105K	CHIP C 1.0UF K	
C23			CE32CL1C100M	CHIP EL 10UF 16WV		C385,386			CK73GB1H152K	CHIP C 1500PF K	
C30			CK73GB1A474K	CHIP C 0.47UF K		C387,388			CC73GCH1H101J	CHIP C 100PF J	
C31			CD04AY1A101M	ELECTRO 100UF 10WV		C407			CK73GB1H103K	CHIP C 0.010UF K	
C32			CK73GB1A474K	CHIP C 0.47UF K		C409,410			CK73GB1H103K	CHIP C 0.010UF K	
C33			CE32BJ1C101M	CHIP EL 100UF 16WV		C412			CK73GB1H103K	CHIP C 0.010UF K	
C40			CK73GB1H103K	CHIP C 0.010UF K		C450-455			CK73GB1H104K	CHIP C 0.10UF K	
C41			CD04BA0J470M	ELECTRO 47UF 6.3WV		C458			CK73GB1A105K	CHIP C 1.0UF K	
C42,43			CK73GB1H104K	CHIP C 0.10UF K		C550,551			CK73GB1H103K	CHIP C 0.010UF K	
C50			CK73GB1H104K	CHIP C 0.10UF K		C600,601			CK73EB1E225K	CHIP C 2.2UF K	
C51			CD04AS1C470M	ELECTRO 47UF 16WV		C602			CK73GB1H103K	CHIP C 0.010UF K	
C60			CK73FB1E474K	CHIP C 0.47UF K		C603			CK73GB1H223K	CHIP C 0.022UF K	
C61			CK73GB1A105K	CHIP C 1.0UF K		C604			CD04AS1C220M	ELECTRO 22UF 16WV	
						C605-608			CK73EB1E225K	CHIP C 2.2UF K	
						C609			CD04BF1E101M	ELECTRO 100UF 25WV	

(North America)

△ Indicates safety critical components.

KDC-MP732

PARTS LIST

ELECTRIC UNIT (X34-3730-11)

Ref. No.	Add	New	Parts No.	Description	Destination
C610			CD04AS1C220M	ELECTRO 22UF 16WV	
C611			CE32CL1C100M	CHIP EL 10UF 16WV	
C612,613			CD04AT1C100M	ELECTRO 10UF 16WV	
C614,615			CE32CL1C100M	CHIP EL 10UF 16WV	
C616,617			CD04AT1C100M	ELECTRO 10UF 16WV	
C618,619			CE32CL1C100M	CHIP EL 10UF 16WV	
C620,621			CD04AS1V100M	ELECTRO 10UF 35WV	
C622			CE32CL1C100M	CHIP EL 10UF 16WV	
C623-628			CK73GB1H102K	CHIP C 1000PF K	
C629			CK73FB1E474K	CHIP C 0.47UF K	
C630			CD04AT0J470M	ELECTRO 47UF 6.3WV	
C631			CK73FB1E474K	CHIP C 0.47UF K	
C632			CK73GB1H103K	CHIP C 0.010UF K	
C633,634			CE32CL1C100M	CHIP EL 10UF 16WV	
C635-638			CK73GB1A105K	CHIP C 1.0UF K	
C701			CK73FB1E474K	CHIP C 0.47UF K	
C702			CD04AS0J470M	ELECTRO 47UF 6.3WV	
C703			CK73FB1E474K	CHIP C 0.47UF K	
C704			CK73GB1H103K	CHIP C 0.010UF K	
C750			CK73FB1C105K	CHIP C 1.0UF K	
C752-755			C90-5700-05	NP-ELEC 4.7UF 16WV	
C756			CD04BA1C101M	ELECTRO 100UF 16WV	
C757			C90-6742-05	NP-ELECT 4.7UF 16WV	
C758			CK73GB1H103K	CHIP C 0.010UF K	
C759			CK73FB1C105K	CHIP C 1.0UF K	
C800-802			CD04AS1V100M	ELECTRO 10UF 35WV	
C803			CK73GB1H104K	CHIP C 0.10UF K	
C804			CK73GB1H103K	CHIP C 0.010UF K	
C805			CD04AS1C470M	ELECTRO 47UF 16WV	
C806,807			CK73GB1H102K	CHIP C 1000PF K	
C808			CD04BA1C101M	ELECTRO 100UF 16WV	
C809			CC73GCH1H101J	CHIP C 100PF J	
C812			CC73GCH1H471J	CHIP C 470PF J	
C813			CC73GCH1H101J	CHIP C 100PF J	
CN450			E41-2259-05	PIN ASSY	
CN500			E41-2344-05	FLAT CABLE CONNECTOR	
CN550			E41-2352-05	FLAT CABLE CONNECTOR	
CN600			E41-2555-05	PIN ASSY	
△ J1			E58-0991-05	RECTANGULAR RECEPTACLE	
J2			E56-0855-05	CYLINDRICAL RECEPTACLE	
W400			E30-6438-05	CORD WITH PLUG	
L1			L33-1988-05	CHOKE COIL ASSY	
L60,61			L33-2230-05	SMALL FIXED INDUCTOR	
L81			L33-2228-05	SMALL FIXED INDUCTOR	
L100			L92-0075-05	CHIP FERRITE	
L101			L41-4795-33	SMALL FIXED INDUCTOR (4.7U)	
L400			L33-2260-05	CHOKE COIL	
L401			L41-4795-33	SMALL FIXED INDUCTOR (4.7U)	
L403			L41-4795-33	SMALL FIXED INDUCTOR (4.7U)	
L600			L41-2205-33	SMALL FIXED INDUCTOR (22U)	
X100			L78-0872-05	RESONATOR (12MHZ)	
X101			L77-2880-05	CRYSTAL RESONATOR	
Q	2D		N83-3005-48	PAN HEAD TAPTITE SCREW	

Ref. No.	Add	New	Parts No.	Description	Destination
T	2D		N80-3010-48	PAN HEAD TAPTITE SCREW	
V	2D		N83-3020-48	PAN HEAD TAPTITE SCREW	
CP100			RK74GB1J101J	CHIP-COM 100 J 1/16W	
CP101-103			RK74GA1J101J	CHIP-COM 100 J 1/16W	
CP104			RK74GA1J102J	CHIP-COM 1.0K J 1/16W	
CP106			RK74GA1J103J	CHIP-COM 10K J 1/16W	
CP107			RK74GB1J102J	CHIP-COM 1.0K J 1/16W	
CP108			RK74GA1J222J	CHIP-COM 2.2K J 1/16W	
CP109			RK74GB1J101J	CHIP-COM 100 J 1/16W	
CP110,111			RK74GA1J101J	CHIP-COM 100 J 1/16W	
R2,3			RK73EB2E103J	CHIP R 10K J 1/4W	
R10			RK73GH2A243D	CHIP R 24K D 1/10W	
R11			RK73FB2B221J	CHIP R 220 J 1/8W	
R12			RK73GB2A153J	CHIP R 15K J 1/10W	
R13			RK73GH2A432D	CHIP R 4.3K D 1/10W	
R20			RK73FB2B203J	CHIP R 20K J 1/8W	
R21			RK73GB2A223J	CHIP R 22K J 1/10W	
R22			RK73GB2A101J	CHIP R 100 J 1/10W	
R23			RK73FB2B272J	CHIP R 2.7K J 1/8W	
R30			RK73FB2B102J	CHIP R 1.0K J 1/8W	
R31			RK73FB2B152J	CHIP R 1.5K J 1/8W	
R40			RK73FB2B223J	CHIP R 22K J 1/8W	
R41			RK73FB2B182J	CHIP R 1.8K J 1/8W	
R42			RK73GB2A105J	CHIP R 1.0M J 1/10W	
R43			RK73GB2A472J	CHIP R 4.7K J 1/10W	
R46			RK73SB3A2R2J	CHIP R 2.2 J 1W	
R50			RK73FB2B152J	CHIP R 1.5K J 1/8W	
R52			RK73FB2B102J	CHIP R 1.0K J 1/8W	
R60			RK73GH2A103D	CHIP R 10K D 1/10W	
R61			RN73GH1J153D	CHIP R 15K D 1/16W	
R62			RK73GB2A103J	CHIP R 10K J 1/10W	
R63			RK73GH2A912D	CHIP R 9.1K D 1/10W	
R64			RK73GH2A103D	CHIP R 10K D 1/10W	
R66			RK73GB2A104J	CHIP R 100K J 1/10W	
R67			RK73GH2A333D	CHIP R 33K D 1/10W	
R68			RN73GH1J243D	CHIP R 24K D 1/16W	
R69			RK73GB2A104J	CHIP R 100K J 1/10W	
R70			RK73GH2A303D	CHIP R 30K D 1/10W	
R71			RN73GH1J1912D	CHIP R 19.1K D 1/16W	
R73			RK73GB2A103J	CHIP R 10K J 1/10W	
R74			RK73GH2A822D	CHIP R 8.2K D 1/10W	
R75			RK73GB2A105J	CHIP R 1.0M J 1/10W	
R76,77			RK73GB2A104J	CHIP R 100K J 1/10W	
R78			RS14DB3AR47J	FL-PROOF RS 0.47 J 1W	
R79			RK73GB2A102J	CHIP R 1.0K J 1/10W	
R80			RK73GH2A434D	CHIP R 430K D 1/10W	
R81			RK73GB2A473J	CHIP R 47K J 1/10W	
R82			RK73GH2A103D	CHIP R 10K D 1/10W	
R83			RK73GB2A104J	CHIP R 100K J 1/10W	
R84			RK73GH2A153D	CHIP R 15K D 1/10W	
R85			RK73PB2H102J	CHIP R 1.0K J 1/2W	
R86			RK73GB2A473J	CHIP R 47K J 1/10W	
R91,92			RK73GB2A104J	CHIP R 100K J 1/10W	
R93			RK73FB2B431J	CHIP R 430 J 1/8W	

(North America)

△ Indicates safety critical components.

PARTS LIST

ELECTRIC UNIT (X34-3730-11)

Ref. No.	Add	New	Parts No.	Description	Destination	Ref. No.	Add	New	Parts No.	Description	Destination
R100-104			RK73GB2A104J	CHIP R 100K J 1/10W		R212			RK73GB2A473J	CHIP R 47K J 1/10W	
R105			RK73GB2A101J	CHIP R 100 J 1/10W		R213,214			RK73GB2A104J	CHIP R 100K J 1/10W	
R106			RK73GB2A222J	CHIP R 2.2K J 1/10W		R216			RK73GB2A223J	CHIP R 22K J 1/10W	
R107			RK73GB2A473J	CHIP R 47K J 1/10W		R217			RK73SB3A471J	CHIP R 470 J 1W	
R110			RK73GB2A103J	CHIP R 10K J 1/10W		R218,219			RK73FB2B472J	CHIP R 4.7K J 1/8W	
R111			RK73GB2A104J	CHIP R 100K J 1/10W		R300			RK73EB2E2R2J	CHIP R 2.2 J 1/4W	
R112			RK73GB2A473J	CHIP R 47K J 1/10W		R301			RK73GB2A103J	CHIP R 10K J 1/10W	
R113			RK73GB2A103J	CHIP R 10K J 1/10W		R335,336			RK73GB2A101J	CHIP R 100 J 1/10W	
R114			RK73GB2A473J	CHIP R 47K J 1/10W		R382,383			RK73GB2A102J	CHIP R 1.0K J 1/10W	
R115			RK73GB2A101J	CHIP R 100 J 1/10W		R404			RK73GB2A223J	CHIP R 22K J 1/10W	
R117			RK73GB2A101J	CHIP R 100 J 1/10W		R405,406			RK73GB2A471J	CHIP R 470 J 1/10W	
R120			RK73GB2A104J	CHIP R 100K J 1/10W		R407,408			RK73GB2A472J	CHIP R 4.7K J 1/10W	
R121			RK73GB2A103J	CHIP R 10K J 1/10W		R409			RK73FB2B102J	CHIP R 1.0K J 1/8W	
R122,123			RK73GB2A101J	CHIP R 100 J 1/10W		R450,451			RK73GB2A102J	CHIP R 1.0K J 1/10W	
R125			RK73GB2A222J	CHIP R 2.2K J 1/10W		R452			RK73GB2A241J	CHIP R 240 J 1/10W	
R126			RK73GB2A101J	CHIP R 100 J 1/10W		R453,454			RK73GB2A102J	CHIP R 1.0K J 1/10W	
R127			RK73GB2A103J	CHIP R 10K J 1/10W		R457			RK73GH2A241D	CHIP R 240 D 1/10W	
R128			RK73GB2A222J	CHIP R 2.2K J 1/10W		R458			RK73GH2A111D	CHIP R 110 D 1/10W	
R129			RK73GB2A102J	CHIP R 1.0K J 1/10W		R501			RK73EB2E101J	CHIP R 100 J 1/4W	
R130			RK73GB2A222J	CHIP R 2.2K J 1/10W		R510,511			RK73EB2E101J	CHIP R 100 J 1/4W	
R131			RK73GB2A473J	CHIP R 47K J 1/10W		R514			RK73EB2E101J	CHIP R 100 J 1/4W	
R132,133			RK73GB2A472J	CHIP R 4.7K J 1/10W		R515			RK73EB2E102J	CHIP R 1.0K J 1/4W	
R134			RK73GB2A101J	CHIP R 100 J 1/10W		R516			RK73EB2E472J	CHIP R 4.7K J 1/4W	
R139			RK73GB2A473J	CHIP R 47K J 1/10W		R517			RK73EB2E102J	CHIP R 1.0K J 1/4W	
R141,142			RK73GB2A473J	CHIP R 47K J 1/10W		R550			RK73GB2A222J	CHIP R 2.2K J 1/10W	
R144,145			RK73GB2A101J	CHIP R 100 J 1/10W		R551			RK73GB2A471J	CHIP R 470 J 1/10W	
R146			RK73GB2A333J	CHIP R 33K J 1/10W		R552,553			RK73GB2A104J	CHIP R 100K J 1/10W	
R147			RK73GB2A102J	CHIP R 1.0K J 1/10W		R554			RK73GB2A471J	CHIP R 470 J 1/10W	
R148			RK73GB2A473J	CHIP R 47K J 1/10W		R600,601			RK73GB2A913J	CHIP R 91K J 1/10W	
R149,150			RK73GB2A223J	CHIP R 22K J 1/10W		R602			RK73GB2A103J	CHIP R 10K J 1/10W	
R153			RK73GB2A223J	CHIP R 22K J 1/10W		R603			RK73GB2A470J	CHIP R 47 J 1/10W	
R155			RK73GB2A223J	CHIP R 22K J 1/10W		R604			RK73GB2A274J	CHIP R 270K J 1/10W	
R158			RK73GB2A223J	CHIP R 22K J 1/10W		R605			RK73GB2A563J	CHIP R 56K J 1/10W	
R160			RK73GB2A223J	CHIP R 22K J 1/10W		R606			RK73GB2A752J	CHIP R 7.5K J 1/10W	
R161-163			RK73GB2A104J	CHIP R 100K J 1/10W		R607			RK73GB2A470J	CHIP R 47 J 1/10W	
R164			RK73GB2A223J	CHIP R 22K J 1/10W		R608			RK73GB2A272J	CHIP R 2.7K J 1/10W	
R165,166			RK73GB2A222J	CHIP R 2.2K J 1/10W		R609			RK73GB2A750J	CHIP R 75 J 1/10W	
R168			RK73GB2A222J	CHIP R 2.2K J 1/10W		R610			RK73GB2A182J	CHIP R 1.8K J 1/10W	
R171-173			RK73GB2A223J	CHIP R 22K J 1/10W		R611			RK73GB2A361J	CHIP R 360 J 1/10W	
R176			RK73GB2A104J	CHIP R 100K J 1/10W		R612			RK73GB2A820J	CHIP R 82 J 1/10W	
R177			RK73GB2A223J	CHIP R 22K J 1/10W		R613			RK73GB2A123J	CHIP R 12K J 1/10W	
R178			RK73GB2A473J	CHIP R 47K J 1/10W		R614			RK73GB2A103J	CHIP R 10K J 1/10W	
R181			RK73GB2A473J	CHIP R 47K J 1/10W		R615			RK73GB2A223J	CHIP R 22K J 1/10W	
R183			RK73GB2A473J	CHIP R 47K J 1/10W		R616			RK73GB2A103J	CHIP R 10K J 1/10W	
R185			RK73GB2A102J	CHIP R 1.0K J 1/10W		R617			RK73GB2A223J	CHIP R 22K J 1/10W	
R187			RK73GB2A473J	CHIP R 47K J 1/10W		R618			RK73GB2A820J	CHIP R 82 J 1/10W	
R200			RK73EB2E473J	CHIP R 47K J 1/4W		R619			RK73GB2A123J	CHIP R 12K J 1/10W	
R201			RD14DB2H332J-T	SMALL-RD 3.3K J 1/2W		R620,621			RK73GB2A361J	CHIP R 360 J 1/10W	
R202			RK73GB2A183J	CHIP R 18K J 1/10W		R622			RK73GB2A820J	CHIP R 82 J 1/10W	
R203			RK73GB2A104J	CHIP R 100K J 1/10W		R623			RK73GB2A123J	CHIP R 12K J 1/10W	
R204			RK73GB2A393J	CHIP R 39K J 1/10W		R624			RK73GB2A103J	CHIP R 10K J 1/10W	
R205			RK73GB2A103J	CHIP R 10K J 1/10W		R625			RK73GB2A223J	CHIP R 22K J 1/10W	
R209			RK73FB2B683J	CHIP R 68K J 1/8W		R626			RK73GB2A103J	CHIP R 10K J 1/10W	
R210			RK73FB2B203J	CHIP R 20K J 1/8W		R627			RK73GB2A223J	CHIP R 22K J 1/10W	
R211			RK73GB2A103J	CHIP R 10K J 1/10W		R628			RK73GB2A820J	CHIP R 82 J 1/10W	

(North America)

△ Indicates safety critical components.

PARTS LIST

ELECTRIC UNIT (X34-3730-11)

Ref. No.	A d d	N e w	Parts No.	Description	Desti- nation
R629			RK73GB2A123J	CHIP R 12K J 1/10W	
R630,631			RK73GB2A361J	CHIP R 360 J 1/10W	
R632			RK73GB2A820J	CHIP R 82 J 1/10W	
R633			RK73GB2A123J	CHIP R 12K J 1/10W	
R634			RK73GB2A103J	CHIP R 10K J 1/10W	
R635			RK73GB2A223J	CHIP R 22K J 1/10W	
R636			RK73GB2A103J	CHIP R 10K J 1/10W	
R637			RK73GB2A223J	CHIP R 22K J 1/10W	
R638			RK73GB2A820J	CHIP R 82 J 1/10W	
R639			RK73GB2A123J	CHIP R 12K J 1/10W	
R640			RK73GB2A361J	CHIP R 360 J 1/10W	
R641			RK73EB2E100J	CHIP R 10 J 1/4W	
R642			RK73EB2E4R7J	CHIP R 4.7 J 1/4W	
R643			RK73EB2E100J	CHIP R 10 J 1/4W	
R644			RK73GB2A102J	CHIP R 1.0K J 1/10W	
R655-660			RK73GB2A104J	CHIP R 100K J 1/10W	
R700			RK73EB2E472J	CHIP R 4.7K J 1/4W	
R701			RK73EB2E101J	CHIP R 100 J 1/4W	
R702			RK73EB2E472J	CHIP R 4.7K J 1/4W	
R703-707			RK73EB2E101J	CHIP R 100 J 1/4W	
R708			RK73EB2E100J	CHIP R 10 J 1/4W	
R709			RK73EB2E4R7J	CHIP R 4.7 J 1/4W	
R710			RK73EB2E100J	CHIP R 10 J 1/4W	
R711			RK73GB2A102J	CHIP R 1.0K J 1/10W	
R712			RK73EB2E102J	CHIP R 1.0K J 1/4W	
R713-715			RK73EB2E471J	CHIP R 470 J 1/4W	
R750			RK73GB2A683J	CHIP R 68K J 1/10W	
R752			RK73GB2A102J	CHIP R 1.0K J 1/10W	
R755-758			RK73GB2A471J	CHIP R 470 J 1/10W	
R759-762			RK73GB2A103J	CHIP R 10K J 1/10W	
R763			RK73GB2A100J	CHIP R 10 J 1/10W	
R764			RK73GB2A103J	CHIP R 10K J 1/10W	
R765			RK73GB2A432J	CHIP R 4.3K J 1/10W	
R766			RK73GB2A431J	CHIP R 430 J 1/10W	
R767			RK73GB2A390J	CHIP R 39 J 1/10W	
R768			RK73GB2A223J	CHIP R 22K J 1/10W	
R770			RK73GB2A133J	CHIP R 13K J 1/10W	
R771			RK73GB2A223J	CHIP R 22K J 1/10W	
R772			RK73GB2A221J	CHIP R 220 J 1/10W	
R800			RK73GB2A391J	CHIP R 390 J 1/10W	
R801			RK73GB2A242J	CHIP R 2.4K J 1/10W	
R803			RK73GH2A512D	CHIP R 5.1K D 1/10W	
R804			RK73GH2A472D	CHIP R 4.7K D 1/10W	
R805,806			RK73GB2A102J	CHIP R 1.0K J 1/10W	
R807			RK73GB2A103J	CHIP R 10K J 1/10W	
R808			RK73GB2A113J	CHIP R 11K J 1/10W	
R809			RK73GB2A101J	CHIP R 100 J 1/10W	
R810			RK73FB2B152J	CHIP R 1.5K J 1/8W	
R811			RK73GB2A104J	CHIP R 100K J 1/10W	
R812			RK73FB2B4R7J	CHIP R 4.7 J 1/8W	
R813			RK73GB2A332J	CHIP R 3.3K J 1/10W	
R814,815			RK73GB2A101J	CHIP R 100 J 1/10W	
R817			RK73GB2A100J	CHIP R 10 J 1/10W	
R818			RK73GB2A8R2J	CHIP R 8.2 J 1/10W	
R819-822			RK73GB2A9R1J	CHIP R 9.1 J 1/10W	

Ref. No.	A d d	N e w	Parts No.	Description	Desti- nation
R823			RK73FB2B1R0J	CHIP R 1.0 J 1/8W	
W751			R92-1252-05	CHIP R 0 OHM J 1/16W	
S1,2			S68-0886-05	PUSH SWITCH	
D1			S2V60*A	DIODE	
D20			RB160L-40	DIODE	
D21			UDZS5.6B	ZENER DIODE	
D30			HZU9.1 (B1)-E	ZENER DIODE	
D31			UDZS8.2B	ZENER DIODE	
D40			UDZS5.6B	ZENER DIODE	
D41			02DZ11F-Y	ZENER DIODE	
D50			HZU16 (B1)-E	ZENER DIODE	
D60,61			SFPB-54VNF	DIODE	
D80-82			RB060L-40	DIODE	
D102-104			DAP222	DIODE	
D200,201			DAP202U	DIODE	
D202			02DZ6.2F-Y	ZENER DIODE	
D203			UDZS6.8B	ZENER DIODE	
D204			DAP202U	DIODE	
D205			UDZS6.8B	ZENER DIODE	
D206			UDZS4.7B	ZENER DIODE	
D208,209			1SR154-400	DIODE	
D212,213			1SR154-400	DIODE	
D302,303			UDZS5.6B	ZENER DIODE	
D401			IMSA-6801-E	SURGE ABSORBER	
D500			DA204K	DIODE	
D501			STZ6.2N	ZENER DIODE	
D502			DA204K	DIODE	
D503			STZ6.2N	ZENER DIODE	
D505			DAP202U	DIODE	
D506			STZ6.2N	ZENER DIODE	
D507			DA204K	DIODE	
D600			UDZS5.6B	ZENER DIODE	
D601			UDZS11B	ZENER DIODE	
D608,609			STZ6.8N	ZENER DIODE	
D700-702			STZ6.2N	ZENER DIODE	
D703,704			STZ6.8N	ZENER DIODE	
D750-753			1SR154-400	DIODE	
D754,755			DAP222	DIODE	
D756-759			1SR154-400	DIODE	
D800			UDZS6.8B	ZENER DIODE	
D801			DA227	DIODE	
D802			UDZS16B	ZENER DIODE	
IC10			M5237ML-CF0J	ANALOGUE IC	
IC60			FA3687V	ANALOGUE IC	
IC80			LT3467A	ANALOGUE IC	
IC100			S-80836CNNB-J	MOS-IC	
IC102		*	30625MGA78GP	MICROCONTROLLER IC	
IC103			TC7W02FU-F	MOS-IC	
IC104			BR24L04FV-W	ROM IC	
IC200			TPD1018F-F	ANALOGUE IC	
IC300			E-TDA7415	ANALOGUE IC	
IC450			LB1930M-E	ANALOGUE IC	
IC451			MMA6261QR2	ANALOGUE IC	

(North America)

△ Indicates safety critical components.

PARTS LIST

ELECTRIC UNIT (X34-3730-11)

Ref. No.	Add New	Parts No.	Description	Destination
IC600		ICL7660SIBAZ	ANALOGUE IC	
IC601-603		NJM4565V-ZB	ANALOGUE IC	
IC750		E-TDA7560A	ANALOGUE IC	
IC800		RC4580IDR	ANALOGUE IC	
Q10		2SB1565	TRANSISTOR	
Q11,12		UMC2N	TRANSISTOR	
Q20		2SB1565	TRANSISTOR	
Q21		2SD2351 (W)	TRANSISTOR	
Q22		2SA1577	TRANSISTOR	
Q23		DTC124EUA	DIGITAL TRANSISTOR	
Q30		2SB1565	TRANSISTOR	
Q31		2SB1184	TRANSISTOR	
Q32,33		2SC4081	TRANSISTOR	
Q40		2SB1565	TRANSISTOR	
Q41		2SB1443	TRANSISTOR	
Q42		UMD12N	TRANSISTOR	
Q43		UMC2N	TRANSISTOR	
Q44		2SC4081	TRANSISTOR	
Q45		2SD2351 (W)	TRANSISTOR	
Q50		2SB1449 (R)-E	TRANSISTOR	
Q51		UMC2N	TRANSISTOR	
Q52		2SC4081	TRANSISTOR	
Q60		DTC143TUA	DIGITAL TRANSISTOR	
Q61		UMG2N	TRANSISTOR	
Q62		DTA143TUA	DIGITAL TRANSISTOR	
Q63,64		2SJ484-E	FET	
Q80		2SB1188 (R)	TRANSISTOR	
Q81		2SC4081	TRANSISTOR	
Q91		2SD2351 (W)	TRANSISTOR	
Q100		2SA1576A	TRANSISTOR	
Q101		DTC144EUA	DIGITAL TRANSISTOR	
Q200,201		DTA124EUA	DIGITAL TRANSISTOR	
Q202		2SC4081	TRANSISTOR	
Q204,205		2SC4081	TRANSISTOR	
Q207		DTC144EUA	DIGITAL TRANSISTOR	
Q208		2SB1188 (Q,R)	TRANSISTOR	
Q209		DTC114YUA	DIGITAL TRANSISTOR	
Q402		2SB1689	TRANSISTOR	
Q403		DTC124EUA	DIGITAL TRANSISTOR	
Q450		DTC114YUA	DIGITAL TRANSISTOR	
Q600		2SC4617	TRANSISTOR	
Q601		2SA1774	TRANSISTOR	
Q602		2SC4617	TRANSISTOR	
Q603		2SA1576A	TRANSISTOR	
Q604		2SC4081	TRANSISTOR	
Q605		2SA1576A	TRANSISTOR	
Q606		2SC4081	TRANSISTOR	
Q607		2SB1443	TRANSISTOR	
Q608-613		DTC143TUA	DIGITAL TRANSISTOR	
Q800		DTA124EUA	DIGITAL TRANSISTOR	
Q801		2SA1774	TRANSISTOR	
Q802		2SC2873-F	TRANSISTOR	
TH750		PRF21BE471QB2	POSITIVE RESISTOR	
A1	2D	X86-3840-11	FRONT-END UNIT	

(North America)

Ref. No.	Add New	Parts No.	Description	Destination
CD MECHANISM ASSY (X92-5470-00) (DXM-6680W)				
2	1B	A10-4827-32	CHASSIS	
5	1B	D10-4576-83	ARM ASSY	
8	2A	D10-4579-23	LEVER ASSY	
10	3A	D10-4581-13	ARM	
11	2A	D10-4582-13	ARM	
12	3A	D10-4583-03	ARM	
13	3A	D10-4584-03	ARM	
14	3B	D10-4585-03	ARM	
15	2A	D10-4586-13	SLIDER	
16	3B	D10-4587-52	SLIDER	
17	3B	D10-4588-13	SLIDER	
18	3B	D10-4595-04	ARM	
19	3B	D10-4596-24	ARM	
22	2A	D13-2151-04	GEAR	
23	2B	D13-2152-04	GEAR	
24	3B	D13-2153-04	GEAR	
25	3B	D13-2154-04	GEAR	
26	3B	D13-2155-04	WORM	
27	3B	D13-2156-14	GEAR	
28	3B	D13-2157-04	GEAR	
29	3B	D13-2158-04	GEAR	
30	3B	D13-2168-04	GEAR	
31	3B	D13-2171-04	GEAR	
32	1B	D13-2381-13	RACK (GEAR)	
33	2A	D14-0759-04	ROLLER	
35	2B	D21-2382-04	SHAFT	
36	1A	D23-0954-04	RETAINER	
37	1B	D39-0246-05	DAMPER	
38	2B	G01-3072-04	EXTENSION SPRING	
39	2A	G01-3073-04	TORSION COIL SPRING	
40	2A	G01-3074-04	EXTENSION SPRING	
41	1B	G01-3075-24	EXTENSION SPRING	
42	2A	G01-3076-04	EXTENSION SPRING	
43	1B	G01-3077-14	EXTENSION SPRING	
44	2B	G02-1399-04	FLAT SPRING	
45	2B	G02-1408-04	FLAT SPRING	
46	2A	G13-1258-04	CUSHION	
51	1A	J21-9676-32	MOUNTING HARDWARE	
52	3B	J21-9677-22	MOUNTING HARDWARE	
53	1B	J21-9678-13	MOUNTING HARDWARE	
55	1A	J90-1001-11	GUIDE	
56	1B	J90-1023-03	GUIDE	
DFPC1	3A	J84-0141-05	FLEXIBLE PRINTED WIRING BOARD	
A	2B	N09-4460-15	TAPTITE SCREW (T 2X8)	
B	1B	N09-6317-05	TAPTITE SCREW	
C	2B	N09-6004-05	MACHINE SCREW (M1.7X2.5)	
E	2B	N09-6007-15	MACHINE SCREW (M2X2)	
F	1A	N09-6051-15	TAPTITE SCREW (P 2X5)	
G	2A	N19-2163-04	FLAT WASHER (1.6X6X0.25)	
H	1B	N39-2020-46	PAN HEAD MACHINE SCREW	
J	1B	N09-6108-15	TAPTITE SCREW (M2X3.5)	

△ Indicates safety critical components.