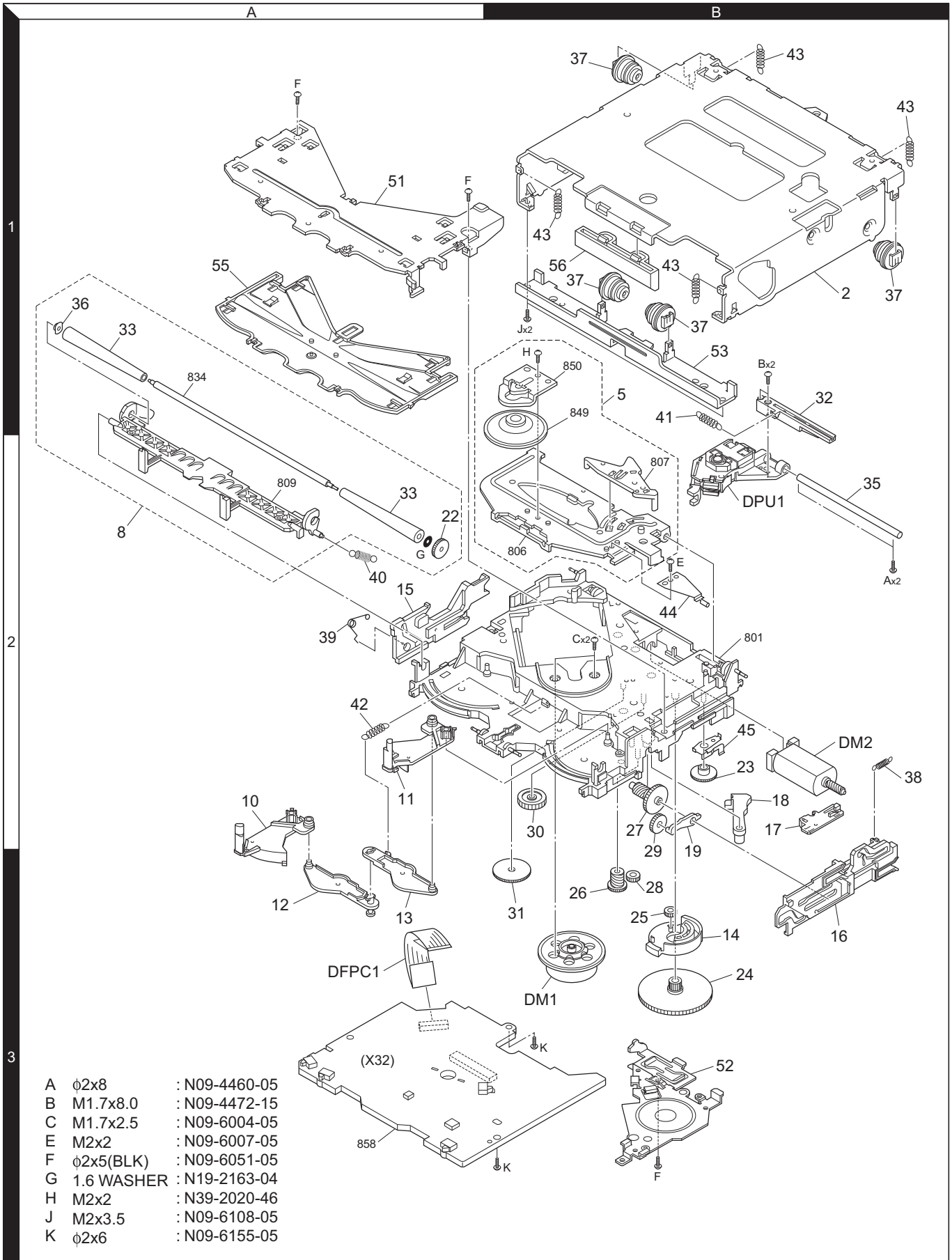


# KDC-232MR

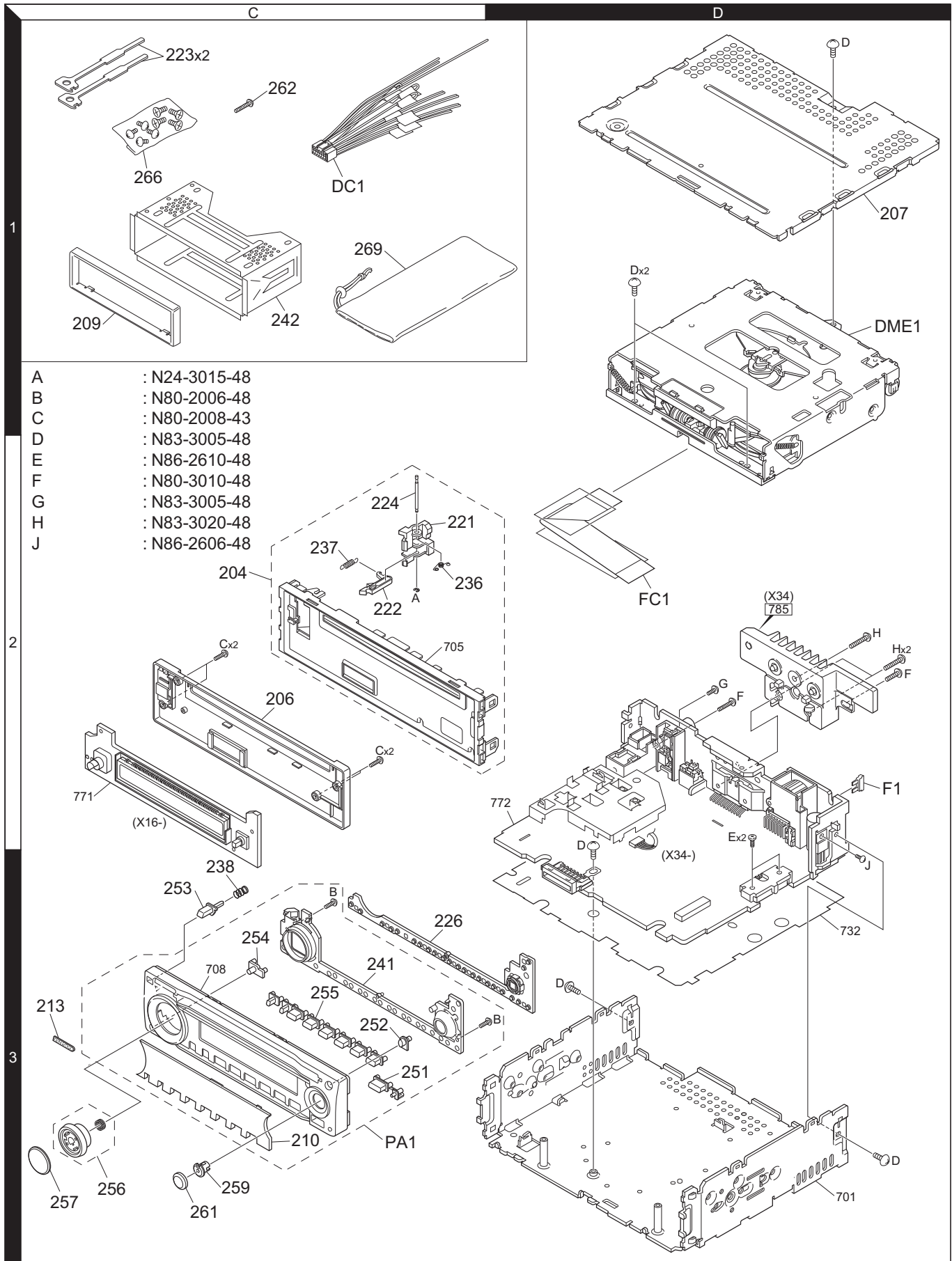
## EXPLODED VIEW (CD MECHANISM)



Parts with the exploded numbers larger than 700 are not supplied.

# KDC-232MR

## EXPLODED VIEW (UNIT)



- A : N24-3015-48
- B : N80-2006-48
- C : N80-2008-43
- D : N83-3005-48
- E : N86-2610-48
- F : N80-3010-48
- G : N83-3005-48
- H : N83-3020-48
- J : N86-2606-48

## PARTS LIST

\* New parts

Parts without **Parts No.** are not supplied.

Les articles non mentionnés dans le **Parts No.** ne sont pas fournis.

Teile ohne **Parts No.** werden nicht geliefert.

Ref. No.	A d d	N e w	Parts No.	Description	Desti- nation
<b>KDC-232MR</b>					
204	2C		A22-2863-13	SUB PANEL ASSY	
206	2C		A46-1815-01	REAR COVER	
207	1D		A52-0804-12	TOP PLATE	
PA1	3C	*	A64-3804-02	PANEL ASSY	
-			B46-0681-04	ID CARD	
-			B46-0682-00	WARRANTY CARD	
-			B58-1426-04	CAUTION CARD	
-		*	B64-3290-00	INST. MANUAL (ENG,SPA)	
-		*	B64-3291-00	INST. MANUAL (FRENCH)	
209	1C		B07-3123-01	ESCUTCHEON	
210	3C	*	B10-4799-01	FRONT GLASS	
213	3C		B43-1518-04	BADGE	
221	2C		D10-4446-03	LEVER	
222	2C		D10-4447-03	LEVER	
223	1C		D10-4589-04	LEVER	
224	2C		D21-2329-04	SHAFT	
226	3C	*	E29-2070-02	CONDUCTIVE RUBBER	
△ DC1	1C		E30-6415-15	DC CORD	
FC1	2D		E39-0718-05	FLAT CABLE	
△ F1	2D		F52-0023-05	FUSE (MINI BLADE TYPE) (10A)	
236	2C		G01-2987-04	TORSION COIL SPRING	
237	2C		G01-3096-04	EXTENSION SPRING	
238	3C		G01-3244-04	COMPRESSION SPRING	
-			H10-4919-12	POLYSTYRENE FOAMED FIXTURE	
-			H25-0329-04	PROTECTION BAG (280X450X0.03)	
-		*	H25-1236-14	PROTECTION BAG (0.03X180X500)	
-		*	H54-3601-03	ITEM CARTON CASE	
241	3C	*	J19-7115-01	HOLDER	
242	1C		J21-9716-03	MOUNTING HARDWARE ASSY	
251	3C	*	K25-1788-03	PUSH KNOB (SRC)	
252	3C	*	K24-4457-04	PUSH KNOB (EJECT)	
253	3C	*	K24-4459-04	PUSH KNOB (RELEASE)	
254	3C	*	K24-4455-04	PUSH KNOB (ATT)	
255	3C	*	K25-1790-02	PUSH KNOB (PRESET)	
256	3C	*	K29-7200-03	KNOB ASSY (VOL)	
257	3C	*	K28-0115-03	KEY TOP (VOL)	
259	3C	*	K28-0102-03	KNOB BASE (FM/AM)	
261	3C	*	K28-0113-03	KEY TOP (FM/AM)	
262	1C		N84-4016-48	PAN HEAD TAPTITE SCREW	
266	1C		N99-1757-05	SCREW SET	
A	2C		N24-3015-48	E TYPE RETAINING RING	
B	3C		N80-2006-48	PAN HEAD TAPTITE SCREW	
C	2C		N80-2008-43	PAN HEAD TAPTITE SCREW	
D	1D		N83-3005-48	PAN HEAD TAPTITE SCREW	
E	3D		N86-2610-48	BINDING HEAD TAPTITE SCREW	
269	1C		W01-1661-05	CARRYING CASE	
DME1	1D		X92-5090-00	MECHANISM ASSY (DXM-6220W)	

Ref. No.	A d d	N e w	Parts No.	Description	Desti- nation
<b>SWITCH UNIT (X16-3500-11)</b>					
D31-33			B30-1567-05	LED (1608,RED)	
D37-39			B30-1567-05	LED (1608,RED)	
D43-45			B30-1567-05	LED (1608,RED)	
D49-51			B30-1567-05	LED (1608,RED)	
D61,62			B30-1729-05	LED (1608,BLUE)	
D70			B30-1567-05	LED (1608,RED)	
D97,98			B30-1729-05	LED (1608,BLUE)	
C10			CK73GB0J225K	CHIP C 2.2UF K	
C11,12			CK73GB1H103K	CHIP C 0.010UF K	
C15			CC73GCH1H470J	CHIP C 47PF J	
C61,62			CK73GB1H103K	CHIP C 0.010UF K	
C67,68			CK73GB1H103K	CHIP C 0.010UF K	
J1			E59-0851-05	RECTANGULAR PLUG	
CP11			RK74HB1J103J	CHIP-COM 10K J 1/16W	
R11			RK73GB2A221J	CHIP R 220 J 1/10W	
R13-17			RK73GB2A221J	CHIP R 220 J 1/10W	
R18			RK73GB2A102J	CHIP R 1.0K J 1/10W	
R19			RK73GB2A221J	CHIP R 220 J 1/10W	
R23			RK73GB2A104J	CHIP R 100K J 1/10W	
R31-34			RK73FB2B471J	CHIP R 470 J 1/8W	
R61			RK73EB2E301J	CHIP R 300 J 1/4W	
R62			RK73EB2E681J	CHIP R 680 J 1/4W	
R63			RK73EB2E471J	CHIP R 470 J 1/4W	
R70			RK73GB2A221J	CHIP R 220 J 1/10W	
R72			RK73GB2A472J	CHIP R 4.7K J 1/10W	
R74			RK73GB2A4R7J	CHIP R 4.7 J 1/10W	
R75			RK73GB2A203J	CHIP R 20K J 1/10W	
R78			RK73GB2A102J	CHIP R 1.0K J 1/10W	
R80-82			RK73PB2H470J	CHIP R 47 J 1/2W	
W2,3			R92-1252-05	CHIP R 0 OHM J 1/16W	
S12			S70-0106-05	TACT SWITCH	
S11			T99-0457-15	ROTARY ENCODER	
D71 -77			UDZS5.6B	ZENER DIODE	
D78			DA204U	DIODE	
ED1		*	HNR-03SS09T	FLUORESCENT INDICATOR TUBE	
IC1			LC75756W	MOS-IC	
Q21			RT1P141U	TRANSISTOR	
<b>CD PLAYER UNIT (X32-5750-00)</b>					
C1			C93-1215-05	CERAMIC 10UF K	
C2			CK73FB1A225K	CHIP C 2.2UF K	
C3			CK73GB0J105K	CHIP C 1.0UF K	
C5			CC73GCH1H020C	CHIP C 2.0PF C	
C6			CC73GCH1H390J	CHIP C 39PF J	
C7			CK73GB1C104K	CHIP C 0.10UF K	
C8			CK73GB0J105K	CHIP C 1.0UF K	
C9			CK73GB1H472K	CHIP C 4700PF K	
C10			CK73GB1C333K	CHIP C 0.033UF K	
C11			CK73GB1H682K	CHIP C 6800PF K	
C12			CK73GB1H332K	CHIP C 3300PF K	
C13			CC73GCH1H221J	CHIP C 220PF J	

E : Europe K : North America M : Other Areas W : Without Europe

△ Indicates safety critical components.

# KDC-232MR

## PARTS LIST

### CD PLAYER UNIT (X32-5750-00)

Ref. No.	Add	New	Parts No.	Description	Destination
C14			CK73GB1H472K	CHIP C 4700PF K	
C15			CK73GB1H222K	CHIP C 2200PF K	
C16			CC73GCH1H331J	CHIP C 330PF J	
C17,18			CK73GB1C104K	CHIP C 0.10UF K	
C31-34			CK73GB1C104K	CHIP C 0.10UF K	
C36			CK73FB1A225K	CHIP C 2.2UF K	
C37-39			CK73GB1H103K	CHIP C 0.010UF K	
C40			CK73GB1H153K	CHIP C 0.015UF K	
C41			CK73GB1H102K	CHIP C 1000PF K	
C42			CK73GB1E473K	CHIP C 0.047UF K	
C43			CK73GB1H222K	CHIP C 2200PF K	
C44			CK73GB1H102K	CHIP C 1000PF K	
C45-47			CK73GB1C104K	CHIP C 0.10UF K	
C48			CK73GB1H682K	CHIP C 6800PF K	
C49			CK73GB1H152K	CHIP C 1500PF K	
C50			CK73GB1H472K	CHIP C 4700PF K	
C51			CK73GB1H681K	CHIP C 680PF K	
C52			CK73GB1C104K	CHIP C 0.10UF K	
C61			CK73FB1A225K	CHIP C 2.2UF K	
C62			CK73GB1C104K	CHIP C 0.10UF K	
C71,72			CK73GB1H471K	CHIP C 470PF K	
C73,74			CC73GCH1H680J	CHIP C 68PF J	
C75,76			CK73GB1H222K	CHIP C 2200PF K	
C77,78			CK73GB1C104K	CHIP C 0.10UF K	
C100-102			CK73GB1H102K	CHIP C 1000PF K	
CN1			E41-2297-05	FLAT CABLE CONNECTOR	
CN2			E41-2083-15	FLAT CABLE CONNECTOR	
X1			L78-0851-05	RESONATOR (16.93MHZ)	
CP1			RK74GA1J101J	CHIP-COM 100 J 1/16W	
CP2			RK74GB1J101J	CHIP-COM 100 J 1/16W	
CP3			RK74GB1J182J	CHIP-COM 1.8K J 1/16W	
CP4			RK74GB1J472J	CHIP-COM 4.7K J 1/16W	
CP5			RK74GB1J104J	CHIP-COM 100K J 1/16W	
R1			RK73GB2A910J	CHIP R 91 J 1/10W	
R2,3			RK73GB2A562J	CHIP R 5.6K J 1/10W	
R4			RK73FB2B100J	CHIP R 10 J 1/8W	
R5,6			RK73GB2A332J	CHIP R 3.3K J 1/10W	
R7			RK73GB2A362J	CHIP R 3.6K J 1/10W	
R8			RK73GB2A333J	CHIP R 33K J 1/10W	
R9			RK73GB2A392J	CHIP R 3.9K J 1/10W	
R10			RK73GB2A104J	CHIP R 100K J 1/10W	
R11			RK73GB2A333J	CHIP R 33K J 1/10W	
R12			RK73GB2A244J	CHIP R 240K J 1/10W	
R13			RK73GB2A564J	CHIP R 560K J 1/10W	
R14			RK73GB2A104J	CHIP R 100K J 1/10W	
R15			RK73GB2A472J	CHIP R 4.7K J 1/10W	
R31			RK73GB2A273J	CHIP R 27K J 1/10W	
R32			RK73GB2A103J	CHIP R 10K J 1/10W	
R33			RK73GB2A183J	CHIP R 18K J 1/10W	
R34			RK73GB2A103J	CHIP R 10K J 1/10W	
R35			RK73GB2A393J	CHIP R 39K J 1/10W	
R36			RK73GB2A103J	CHIP R 10K J 1/10W	
R37			RK73GB2A622J	CHIP R 6.2K J 1/10W	

Ref. No.	Add	New	Parts No.	Description	Destination
R38			RK73GB2A224J	CHIP R 220K J 1/10W	
R39			RK73GB2A104J	CHIP R 100K J 1/10W	
R40			RK73GB2A821J	CHIP R 820 J 1/10W	
R41			RK73GB2A473J	CHIP R 47K J 1/10W	
R42			RK73GB2A472J	CHIP R 4.7K J 1/10W	
R43			RK73GB2A102J	CHIP R 1.0K J 1/10W	
R44,45			RK73GB2A103J	CHIP R 10K J 1/10W	
R46			RK73GB2A273J	CHIP R 27K J 1/10W	
R47			RK73GB2A222J	CHIP R 2.2K J 1/10W	
R48			RK73GB2A103J	CHIP R 10K J 1/10W	
R49			RK73GB2A473J	CHIP R 47K J 1/10W	
R50			RK73GB2A392J	CHIP R 3.9K J 1/10W	
R51			RK73GB2A103J	CHIP R 10K J 1/10W	
R52,53			RK73GB2A472J	CHIP R 4.7K J 1/10W	
R71			RK73GB2A133J	CHIP R 13K J 1/10W	
R72			RK73FB2B201J	CHIP R 200 J 1/8W	
R81,82			RK73FB2B183J	CHIP R 18K J 1/8W	
R83,84			RK73FB2B203J	CHIP R 20K J 1/8W	
R85,86			RK73FB2B123J	CHIP R 12K J 1/8W	
R87,88			RK73FB2B331J	CHIP R 330 J 1/8W	
R89,90			RK73GB2A392J	CHIP R 3.9K J 1/10W	
R91,92			RK73GB2A562J	CHIP R 5.6K J 1/10W	
R100			RK73GB2A100J	CHIP R 10 J 1/10W	
S1,2			S68-0863-05	PUSH SWITCH	
S3			S68-0862-05	PUSH SWITCH	
D1			DAN202U	DIODE	
D2			MAZS0510L	ZENER DIODE	
D3			DA204U	DIODE	
IC1			AN22002A-V	ANALOGUE IC	
IC2			MN6627771KS	MOS-IC	
IC3			BA5824FP	ANALOGUE IC	
IC4			NJM4580M1-ZB	ANALOGUE IC	
Q1			2SB0970	TRANSISTOR	
Q2			2SA1362 (Y)	TRANSISTOR	
Q3			DTC124EUA	DIGITAL TRANSISTOR	
Q4			DTA143XUA	DIGITAL TRANSISTOR	
Q5			2SC4081	TRANSISTOR	
Q6			2SA1576A	TRANSISTOR	
<b>ELECTRIC UNIT (X34-4160-12)</b>					
D401			B30-1567-05	LED (1608,RED)	
C1,2			CD04AT1HR47M	ELECTRO 0.47UF 50WV	
C3-6			C90-6735-05	NP-ELECT 0.22UF 50WV	
C51			C90-5683-05	ELECTRO 3300UF 16WV	
C52			CK73GB1H102K	CHIP C 1000PF K	
C55			CK73GB1H103K	CHIP C 0.010UF K	
C71			CD04AS1C220M	ELECTRO 22UF 16WV	
C72			CK73GB1H104K	CHIP C 0.10UF K	
C74-77			CK73GB1H104K	CHIP C 0.10UF K	
C78			CD04AT1E101M	ELECTRO 100UF 25WV	
C79			CD04AS1C220M	ELECTRO 22UF 16WV	
C80			CD04AT1E101M	ELECTRO 100UF 25WV	
C81			CK73GB1H103K	CHIP C 0.010UF K	
C96			CD04AS1HR47M	ELECTRO 0.47UF 50WV	

E : Europe K : North America M : Other Areas W : Without Europe

△ Indicates safety critical components.

## PARTS LIST

### ELECTRIC UNIT (X34-4160-12)

Ref. No.	Add	New	Parts No.	Description	Destination	Ref. No.	Add	New	Parts No.	Description	Destination
C97			CD04BF1C220M	ELECTRO 22UF 16WV		C564			CK73GB1A474K	CHIP C 0.47UF K	
C153			CK73GB1A105K	CHIP C 1.0UF K		C565			CK73FB1C105K	CHIP C 1.0UF K	
C201			CK73GB1H103K	CHIP C 0.010UF K		C568			CC73GCH1H271J	CHIP C 270PF J	
C255			CD04AS1A330M	ELECTRO 33UF 10WV		C579			CK73GB1H103K	CHIP C 0.010UF K	
C256			CD04AS1H010M	ELECTRO 1UF 50WV		C581			CC73GCH1H101J	CHIP C 100PF J	
C257			C90-5663-05	ELECTRO 1UF 50WV		C582			CK73GB1H223K	CHIP C 0.022UF K	
C258			CD04AS1H010M	ELECTRO 1UF 50WV		C583			CK73GB1H683K	CHIP C 0.068UF K	
C301,302			CK73FB1E474K	CHIP C 0.47UF K		C584-586			CK73GB1A105K	CHIP C 1.0UF K	
C303			CD04AT1C470M	ELECTRO 47UF 16WV		C587			CK73GB1H104K	CHIP C 0.10UF K	
C331,332			CD04AT1C100M	ELECTRO 10UF 16WV		C588			CK73GB1A474K	CHIP C 0.47UF K	
C407			CC73GCH1H220J	CHIP C 22PF J		C589			CK73GB1H104K	CHIP C 0.10UF K	
C408			CC73GCH1H180J	CHIP C 18PF J		C590			CK73GB1H392K	CHIP C 3900PF K	
C409			CD04AS0J101M	ELECTRO 100UF 6.3WV		C600			CD04AT1A101M	ELECTRO 100UF 10WV	
C410			CK73GB1H103K	CHIP C 0.010UF K		C601			CK73GB1H223K	CHIP C 0.022UF K	
C411			CK73GB1C224K	CHIP C 0.22UF K		C602			CC73GCH1H151J	CHIP C 150PF J	
C420			CC73GCH1H102J	CHIP C 1000PF J		C604			CC73GCH1H470J	CHIP C 47PF J	
C422			CC73GCH1H101J	CHIP C 100PF J		C605,606			CC73GCH1H010C	CHIP C 1.0PF C	
C502			CK73GB1H152K	CHIP C 1500PF K		C610			CC73GCH1H010C	CHIP C 1.0PF C	
C503			CK73GB1H104K	CHIP C 0.10UF K		C620			CK73GB1A105K	CHIP C 1.0UF K	
C504			CK73GB1H103K	CHIP C 0.010UF K		C623,624			CK73GB1H103K	CHIP C 0.010UF K	
C505			CD04AT1V4R7M	ELECTRO 4.7UF 35WV		C625-627			CC73GCH1H101J	CHIP C 100PF J	
C506			CK73GB1A684K	CHIP C 0.68UF K		C628			CK73GB1A105K	CHIP C 1.0UF K	
C507,508			CD04AT1C220M	ELECTRO 22UF 16WV		△ CN2			E41-2244-05	FLAT CABLE CONNECTOR	
C509			CC73GCH1H680J	CHIP C 68PF J		J1			E58-0991-05	RECTANGULAR RECEPTACLE	
C510			CC73GCH1H101J	CHIP C 100PF J		J2			E56-0855-05	CYLINDRICAL RECEPTACLE	
C511			CK73GB1H222K	CHIP C 2200PF K		J4			E04-0326-05	RF COAXIAL CABLE RECEPTACLE	
C512			CD04AT1C100M	ELECTRO 10UF 16WV		J5			E58-0992-05	RECTANGULAR RECEPTACLE	
C513,514			CK73GB1H103K	CHIP C 0.010UF K		J6			E63-0898-05	PIN JACK	
C515			CD04AT1H010M	ELECTRO 1UF 50WV		CF51-53			L72-0805-05	CERAMIC FILTER	
C516			CC73GCH1H100D	CHIP C 10PF D		CF54			L72-0804-05	CERAMIC FILTER	
C517,518			CK73GB1A105K	CHIP C 1.0UF K		L3			L33-1978-05	CHOKO COIL	
C519,520			CK73GB1A474K	CHIP C 0.47UF K		L4			L33-2260-05	CHOKO COIL	
C521,522			CC73GCH1H102J	CHIP C 1000PF J		L51			L33-1988-05	CHOKO COIL ASSY	
C524			CC73GCH1H180J	CHIP C 18PF J		L61			L40-4795-91	SMALL FIXED INDUCTOR (4.7UH,J)	
C525			CC73GCH1H150J	CHIP C 15PF J		L301			L92-0337-05	CHIP FERRITE	
C527			CC73GCH1H102J	CHIP C 1000PF J		L501			L40-6891-58	SMALL FIXED INDUCTOR (6.8UH)	
C531			CK73GB1A105K	CHIP C 1.0UF K		L502			L40-3301-58	SMALL FIXED INDUCTOR (33UH)	
C541			CC73GCH1H271J	CHIP C 270PF J		L503			L40-1021-56	SMALL FIXED INDUCTOR (1MH)	
C542			CC73GCH1H050C	CHIP C 5.0PF C		L504			L40-1011-58	SMALL FIXED INDUCTOR (100UH)	
C543			CC73GCH1H080D	CHIP C 8.0PF D		L505			L40-3381-58	SMALL FIXED INDUCTOR (0.33UH)	
C544			CC73GCH1H150J	CHIP C 15PF J		L506			L31-0977-15	FM-RF COIL (RF)	
C545			CK73GB1H682K	CHIP C 6800PF K		L507			L32-0941-15	FM OSCILLATING COIL (VCO)	
C547			CD04AT1C220M	ELECTRO 22UF 16WV		L508			L30-0776-15	FM IFT	
C548			CK73GB1H223K	CHIP C 0.022UF K		L509			L30-0777-15	AM IFT	
C549			CK73GB1H222K	CHIP C 2200PF K		L518			L31-0976-15	FM-RF COIL (ANT)	
C550			CK73GB1H333K	CHIP C 0.033UF K		L520			L40-3381-58	SMALL FIXED INDUCTOR (0.33UH)	
C551			CK73GB1H103K	CHIP C 0.010UF K		L521			L40-1073-72	SMALL FIXED INDUCTOR (10NH)	
C552			CK73GB1H222K	CHIP C 2200PF K		L600			L92-0607-05	CHIP FERRITE	
C553			CK73GB1H104K	CHIP C 0.10UF K		L601,602			L92-0397-05	CHIP FERRITE	
C554			CK73GB1A334K	CHIP C 0.33UF K		L604,605			L92-0609-05	CHIP FERRITE	
C556			CK73GB1H103K	CHIP C 0.010UF K		X1			L78-0879-05	RESONATOR (10.0MHZ)	
C559			CK73GB1H332K	CHIP C 3300PF K		X2			L77-2793-05	CRYSTAL RESONATOR (32.768KHZ)	
C561			CK73GB1H104K	CHIP C 0.10UF K		X501			L77-2077-05	CRYSTAL RESONATOR (10.25MHZ)	
C562			CD04AT1C100M	ELECTRO 10UF 16WV							
C563			CD04AT1HR47M	ELECTRO 0.47UF 50WV							

E : Europe K : North America M : Other Areas W : Without Europe

△ Indicates safety critical components.

## PARTS LIST

### ELECTRIC UNIT (X34-4160-12)

Ref. No.	A d d	N e w	Parts No.	Description	Desti- nation
F	2D		N80-3010-48	PAN HEAD TAPTITE SCREW	
G	2D		N83-3005-48	PAN HEAD TAPTITE SCREW	
H	2D		N83-3020-48	PAN HEAD TAPTITE SCREW	
J	3D		N86-2606-48	BINDING HEAD TAPTITE SCREW	
R21			RD14BB2C821J	RD 820 J 1/6W	
R51			RK73FB2B683J	CHIP R 68K J 1/8W	
R52			RK73GB2A393J	CHIP R 39K J 1/10W	
R53			RK73GB2A104J	CHIP R 100K J 1/10W	
R54			RK73FB2B203J	CHIP R 20K J 1/8W	
R55,56			RK73GB2A103J	CHIP R 10K J 1/10W	
R57			RK73GB2A223J	CHIP R 22K J 1/10W	
R58			RD14DB2H332J	SMALL-RD 3.3K J 1/2W	
R59			RD14BB2C333J	RD 33K J 1/6W	
R60			RK73GB2A103J	CHIP R 10K J 1/10W	
R61			RK73GB2A223J	CHIP R 22K J 1/10W	
R72			RD14BB2C472J	RD 4.7K J 1/6W	
R75-78			RK73GB2A103J	CHIP R 10K J 1/10W	
R81			RD14BB2C103J	RD 10K J 1/6W	
R82			RK73GB2A223J	CHIP R 22K J 1/10W	
R83			RK73GB2A473J	CHIP R 47K J 1/10W	
R85			RK73GB2A1R0J	CHIP R 1.0 J 1/10W	
R86			RK73EB2E1R0J	CHIP R 1.0 J 1/4W	
R87,88			RK73GB2A1R0J	CHIP R 1.0 J 1/10W	
R90			RK73GB2A1R0J	CHIP R 1.0 J 1/10W	
R96			RK73GH2A273D	CHIP R 27K D 1/10W	
R97			RK73GH2A332D	CHIP R 3.3K D 1/10W	
R98			RK73EB2E102J	CHIP R 1.0K J 1/4W	
R99			RK73GB2A104J	CHIP R 100K J 1/10W	
R100			RK73GB2A272J	CHIP R 2.7K J 1/10W	
R130,131			RK73EB2E4R7J	CHIP R 4.7 J 1/4W	
R133			RK73EB2E4R7J	CHIP R 4.7 J 1/4W	
R135-140			RK73EB2E4R7J	CHIP R 4.7 J 1/4W	
R141			RK73EB2E2R2J	CHIP R 2.2 J 1/4W	
R151			RK73GB2A102J	CHIP R 1.0K J 1/10W	
R152			RK73EB2E100J	CHIP R 10 J 1/4W	
R153			RK73EB2E222J	CHIP R 2.2K J 1/4W	
R156			RK73EB2E102J	CHIP R 1.0K J 1/4W	
R157-161			RK73EB2E222J	CHIP R 2.2K J 1/4W	
R162			RK73EB2E102J	CHIP R 1.0K J 1/4W	
R163			RK73EB2E222J	CHIP R 2.2K J 1/4W	
R164			RK73EB2E102J	CHIP R 1.0K J 1/4W	
R172			RD14BB2C102J	RD 1.0K J 1/6W	
R178			RK73EB2E471J	CHIP R 470 J 1/4W	
R180-182			RK73GB2A222J	CHIP R 2.2K J 1/10W	
R190			RK73GB2A104J	CHIP R 100K J 1/10W	
R191			RK73GB2A225J	CHIP R 2.2M J 1/10W	
R193,194			RK73GB2A474J	CHIP R 470K J 1/10W	
R199			RK73GB2A241J	CHIP R 240 J 1/10W	
R251			RK73GB2A333J	CHIP R 33K J 1/10W	
R252			RK73GB2A473J	CHIP R 47K J 1/10W	
R253			RK73GB2A432J	CHIP R 4.3K J 1/10W	
R254			RK73GB2A100J	CHIP R 10 J 1/10W	
R255			RK73GB2A221J	CHIP R 220 J 1/10W	
R256			RK73GB2A223J	CHIP R 22K J 1/10W	

Ref. No.	A d d	N e w	Parts No.	Description	Desti- nation
R257			RK73GB2A393J	CHIP R 39K J 1/10W	
R271			RK73GB2A101J	CHIP R 100 J 1/10W	
R272			RK73GB2A103J	CHIP R 10K J 1/10W	
R273			RK73GB2A474J	CHIP R 470K J 1/10W	
R301,302			RK73EB2E100J	CHIP R 10 J 1/4W	
R303			RK73EB2E101J	CHIP R 100 J 1/4W	
R304,305			RK73EB2E472J	CHIP R 4.7K J 1/4W	
R306			RK73EB2E4R7J	CHIP R 4.7 J 1/4W	
R307-309			RK73EB2E472J	CHIP R 4.7K J 1/4W	
R310,311			RK73EB2E101J	CHIP R 100 J 1/4W	
R312			RD14BB2C104J	RD 100K J 1/6W	
R313			RK73GB2A104J	CHIP R 100K J 1/10W	
R331,332			RK73GB2A271J	CHIP R 270 J 1/10W	
R335,336			RK73GB2A303J	CHIP R 30K J 1/10W	
R338,339			RD14BB2C101J	RD 100 J 1/6W	
R351,352			RK73GB2A222J	CHIP R 2.2K J 1/10W	
R353			RK73GB2A102J	CHIP R 1.0K J 1/10W	
R355,356			RK73GB2A102J	CHIP R 1.0K J 1/10W	
R358			RK73GB2A222J	CHIP R 2.2K J 1/10W	
R359			RK73GB2A101J	CHIP R 100 J 1/10W	
R360			RK73GB2A222J	CHIP R 2.2K J 1/10W	
R363			RD14BB2C472J	RD 4.7K J 1/6W	
R365			RK73GB2A472J	CHIP R 4.7K J 1/10W	
R366			RK73EB2E472J	CHIP R 4.7K J 1/4W	
R367			RK73GB2A104J	CHIP R 100K J 1/10W	
R368,369			RK73GB2A471J	CHIP R 470 J 1/10W	
R370,371			RK73GB2A472J	CHIP R 4.7K J 1/10W	
R411			RK73GB2A223J	CHIP R 22K J 1/10W	
R413			RK73GB2A223J	CHIP R 22K J 1/10W	
R415			RK73GB2A223J	CHIP R 22K J 1/10W	
R417,418			RK73GB2A223J	CHIP R 22K J 1/10W	
R432			RK73GB2A472J	CHIP R 4.7K J 1/10W	
R433			RK73GB2A222J	CHIP R 2.2K J 1/10W	
R435,436			RK73GB2A103J	CHIP R 10K J 1/10W	
R437,438			RK73GB2A102J	CHIP R 1.0K J 1/10W	
R439			RK73GB2A222J	CHIP R 2.2K J 1/10W	
R440,441			RK73GB2A473J	CHIP R 47K J 1/10W	
R450-452			RK73GB2A471J	CHIP R 470 J 1/10W	
R453			RK73GB2A473J	CHIP R 47K J 1/10W	
R454			RK73GB2A472J	CHIP R 4.7K J 1/10W	
R456			RK73GB2A104J	CHIP R 100K J 1/10W	
R457			RK73GB2A103J	CHIP R 10K J 1/10W	
R471			RK73GB2A103J	CHIP R 10K J 1/10W	
R480			RK73GB2A104J	CHIP R 100K J 1/10W	
R501			RK73GB2A682J	CHIP R 6.8K J 1/10W	
R502,503			RK73GB2A222J	CHIP R 2.2K J 1/10W	
R504			RK73GB2A4R7J	CHIP R 4.7 J 1/10W	
R505			RK73GB2A102J	CHIP R 1.0K J 1/10W	
R506			RK73GB2A105J	CHIP R 1.0M J 1/10W	
R507			RK73GB2A102J	CHIP R 1.0K J 1/10W	
R520			RK73GB2A221J	CHIP R 220 J 1/10W	
R521			RK73GB2A152J	CHIP R 1.5K J 1/10W	
R522			RK73GB2A223J	CHIP R 22K J 1/10W	
R523			RK73GB2A100J	CHIP R 10 J 1/10W	
R543			RK73GB2A562J	CHIP R 5.6K J 1/10W	

E : Europe K : North America M : Other Areas W : Without Europe

△ Indicates safety critical components.

## PARTS LIST

### ELECTRIC UNIT (X34-4160-12)

Ref. No.	Add	New	Parts No.	Description	Destination
R544			RD14BB2C222J	RD 2.2K J 1/6W	
R545			RK73GB2A333J	CHIP R 33K J 1/10W	
R546			RK73GB2A432J	CHIP R 4.3K J 1/10W	
R561			RK73GB2A472J	CHIP R 4.7K J 1/10W	
R565			RK73GB2A394J	CHIP R 390K J 1/10W	
R566,567			RK73GB2A102J	CHIP R 1.0K J 1/10W	
R589			RK73GB2A473J	CHIP R 47K J 1/10W	
R590			RK73GB2A103J	CHIP R 10K J 1/10W	
R591			RK73GB2A513J	CHIP R 51K J 1/10W	
R592			RK73GB2A223J	CHIP R 22K J 1/10W	
R594			RK73EB2E100J	CHIP R 10 J 1/4W	
R596-598			RD14BB2C100J	RD 10 J 1/6W	
R599			RK73GB2A220J	CHIP R 22 J 1/10W	
R600			RD14BB2C2R2J	RD 2.2 J 1/6W	
R601			RD14BB2C1R0J	RD 1.0 J 1/6W	
R602			RK73GB2A122J	CHIP R 1.2K J 1/10W	
R603			RK73GB2A560J	CHIP R 56 J 1/10W	
R605,606			RK73GB2A100J	CHIP R 10 J 1/10W	
W53			R92-1252-05	CHIP R 0 OHM J 1/16W	
W58-60			R92-1252-05	CHIP R 0 OHM J 1/16W	
W61-63			R92-2053-05	CHIP R 0 OHM J 1/8W	
W64			R92-1252-05	CHIP R 0 OHM J 1/16W	
W65,66			R92-2053-05	CHIP R 0 OHM J 1/8W	
W67,68			R92-1252-05	CHIP R 0 OHM J 1/16W	
W71			R92-1252-05	CHIP R 0 OHM J 1/16W	
W72			R92-2053-05	CHIP R 0 OHM J 1/8W	
W73			R92-1252-05	CHIP R 0 OHM J 1/16W	
W75			R92-2053-05	CHIP R 0 OHM J 1/8W	
W76			R92-1252-05	CHIP R 0 OHM J 1/16W	
W78			R92-2053-05	CHIP R 0 OHM J 1/8W	
W79,80			R92-1252-05	CHIP R 0 OHM J 1/16W	
W81,82			R92-2053-05	CHIP R 0 OHM J 1/8W	
W85			R92-2053-05	CHIP R 0 OHM J 1/8W	
W86			R92-1252-05	CHIP R 0 OHM J 1/16W	
W87			R92-2053-05	CHIP R 0 OHM J 1/8W	
W88,89			R92-1252-05	CHIP R 0 OHM J 1/16W	
W90,91			R92-2053-05	CHIP R 0 OHM J 1/8W	
W92			R92-1252-05	CHIP R 0 OHM J 1/16W	
W93			R92-2053-05	CHIP R 0 OHM J 1/8W	
W96-98			R92-1252-05	CHIP R 0 OHM J 1/16W	
W99			R92-2053-05	CHIP R 0 OHM J 1/8W	
W102			R92-2053-05	CHIP R 0 OHM J 1/8W	
W252			R92-1252-05	CHIP R 0 OHM J 1/16W	
W506			R92-2053-05	CHIP R 0 OHM J 1/8W	
W604,605			R92-1252-05	CHIP R 0 OHM J 1/16W	
W611			R92-1252-05	CHIP R 0 OHM J 1/16W	
W802			R92-1252-05	CHIP R 0 OHM J 1/16W	
W803			R92-2053-05	CHIP R 0 OHM J 1/8W	
W804,805			R92-1252-05	CHIP R 0 OHM J 1/16W	
W807			R92-1252-05	CHIP R 0 OHM J 1/16W	
W808			R92-2053-05	CHIP R 0 OHM J 1/8W	
W812			R92-2053-05	CHIP R 0 OHM J 1/8W	
W814			R92-2053-05	CHIP R 0 OHM J 1/8W	
W820			R92-2053-05	CHIP R 0 OHM J 1/8W	
W826			R92-2053-05	CHIP R 0 OHM J 1/8W	

Ref. No.	Add	New	Parts No.	Description	Destination
W831			R92-1252-05	CHIP R 0 OHM J 1/16W	
W832			R92-2053-05	CHIP R 0 OHM J 1/8W	
W840			R92-1252-05	CHIP R 0 OHM J 1/16W	
W841,842			R92-2053-05	CHIP R 0 OHM J 1/8W	
D3			IMSA-6801-E	SURGE ABSORBER	
D52			MTZJ6.8B	ZENER DIODE	
D53			02DZ6.8F-Y	ZENER DIODE	
D54			MTZJ6.8B	ZENER DIODE	
D55			1SS355	DIODE	
D57			S2V60*A	DIODE	
D71			MTZJ8.2B	ZENER DIODE	
D72			1SR154-400	DIODE	
D74			1SR154-400	DIODE	
D76		*	BAV70W	DIODE	
D77		*	1SR139-400T64	DIODE	
D81			02DZ4.7F-Y	ZENER DIODE	
D162			MTZJ6.2B	ZENER DIODE	
D203			1SS133	DIODE	
D251-258			1SR154-400	DIODE	
D259,260			1SS133	DIODE	
D261			1SS355	DIODE	
D301-304			MTZJ6.2B	ZENER DIODE	
D305,306			MTZJ6.8B	ZENER DIODE	
D403		*	BAV70W	DIODE	
D501			RN739F	DIODE	
D502,503			KP2311ETR-G	DIODE	
D504			KV1430STL-G	VARIABLE CAPACITANCE DIODE	
D506			HVC383B-E	VARIABLE CAPACITANCE DIODE	
IC1		*	784225GC303A	MICROCONTROLLER IC	
IC3			BD4912-V4	ANALOGUE IC	
IC4			E-TDA7560A	ANALOGUE IC	
IC6			TC7W02FU-F	MOS-IC	
IC8			S-80836CNNB-J	MOS-IC	
IC10			E-TDA7516A	ANALOGUE IC	
IC11			BR24L04FV-W	ROM IC	
IC15			BA00CCWT	ANALOGUE IC	
Q51-53			2SC4155A (Q,R,S)	TRANSISTOR	
Q71			UMC2N	TRANSISTOR	
Q72			2SD2396 (J,K)	TRANSISTOR	
Q151			RT1P144M	TRANSISTOR	
Q155			2SC4155A (Q,R,S)	TRANSISTOR	
Q252			2SA1603A	TRANSISTOR	
Q330			RT1P241M	TRANSISTOR	
Q351,352			RT1N430M	TRANSISTOR	
Q501			HN3G01J (BL)-F	TRANSISTOR	
TH1			PRF21BE471QB2	POSITIVE RESISTOR	
<b>MECHANISM ASSY (X92-5090-00)</b>					
2		1B	A10-4827-32	CHASSIS	
5		1B	D10-4576-83	ARM ASSY	
8		2A	D10-4579-23	LEVER ASSY	
10		2A	D10-4581-13	ARM	
11		2A	D10-4582-13	ARM	
12		3A	D10-4583-03	ARM	

E : Europe K : North America M : Other Areas W : Without Europe

△ Indicates safety critical components.

