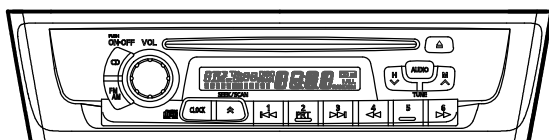


Service Manual



NISSAN Automobile Genuine
 AM/FM Radio CD Stereo

Model **PN-2165M-G**
 (Genuine No. 28185 4Z300)
 (ID CY338 / Black Escutcheon)

Model **PN-2165M-H**
 (Genuine No. 28185 4Z310)
 (ID CY248 / Brown Escutcheon)

Model **PN-2165M-I**
 (Genuine No. 28185 4Z320)
 (ID CY358 / Gray Escutcheon)

Model **PN-2165M-M**
 ROCKFORD FOSGAT
 (Genuine No. 28185 4Z600)
 (ID CY120 / Black Escutcheon)

ORIGINAL SERVICE MANUAL

This additional service manual is designed to be used together with original service manual.

Original model	Manual No.
PN-2165M-A,B,C	298-5779-00

DEFFARENCE FROM ORIGINAL MODEL

1. Without fix equalizer curcuit of the main PWB section.

SPECIFICATIONS

Radio section

Tuning system:	PLL Frequency synthesizer system
Receive range:	AM 530kHz to 1,710kHz
	FM 87.9MHz to 107.9MHz
Intermediate frequency:	
	AM 450 +3/ -3kHz
	FM 10.7 +0.2/ -0.2MHz

Quieting sensitivity:	AM	Less than 32dBu(at 20dB S/N)
	FM	Less than 10dBu(at 30dB S/N)
Separation:	FM	More than 20dB(at 1kHz)
	Auto tuning stop sensitivity:	
	AM	36 +6/ -6dBu
	FM	25 +6/ -6dBu

CD section

Disc:	12cm,8cm Disc
Frequency response:	17Hz to 20kHz(+3/ -3dB)
Separation:	More than 50dB(1kHz,0.5W)
S/N ratio:	More than 74dB(1kHz,5W)
Distortion:	Less than 0.4%(1kHz,0.5W)

General

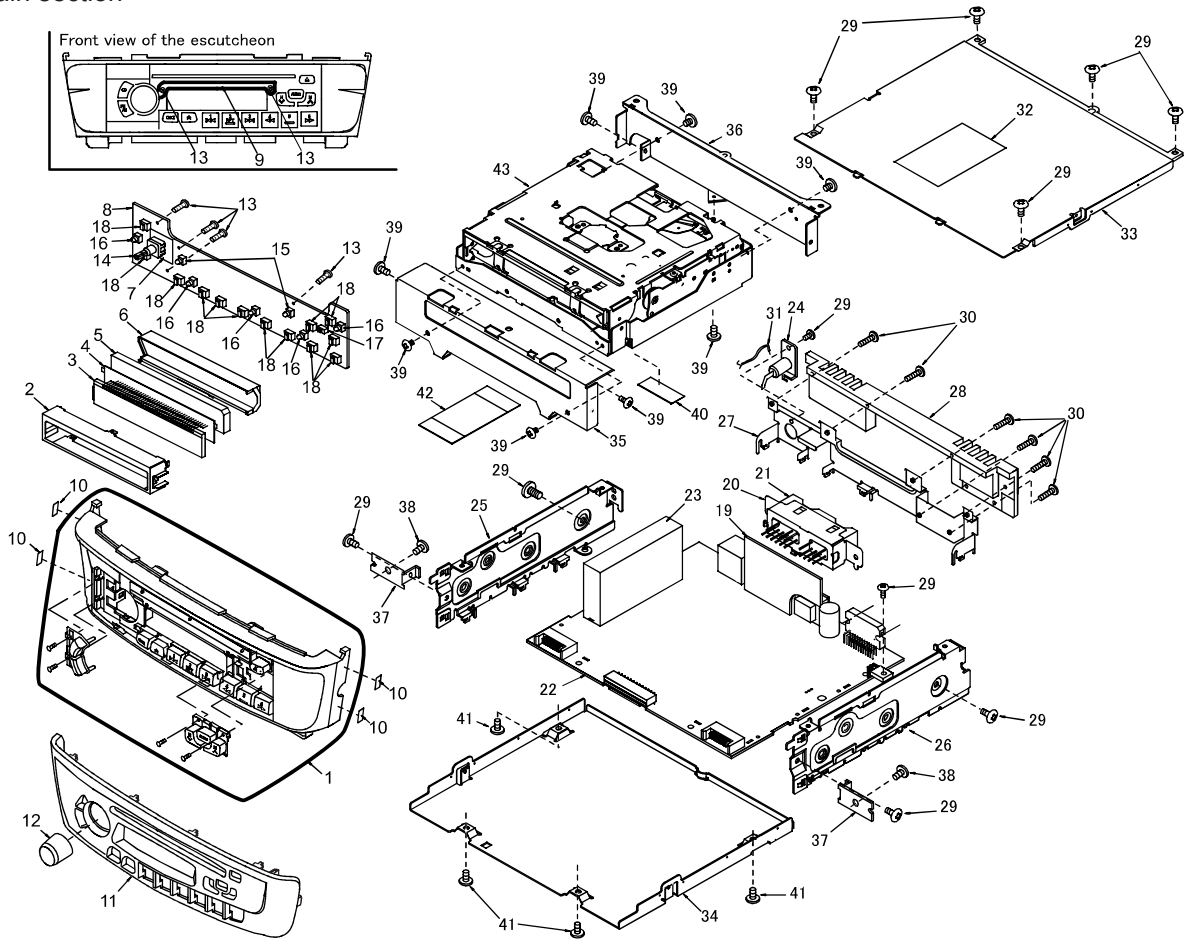
Output power:	30W x4
Power supply voltage:	DC14.4V(10.8V to 15.6V)
	Negative ground
Back-up consumption:	Less than 3mA
Dimensions(mm):	264.2(W) x63.6(H) x171.9(D)
Weight:	1.7kg

FEATURES

		PN-2165M-G	PN-2165M-H	PN-2165M-I	PN-2165M-M
NISSAN PART NO.		28185 4Z300	28185 4Z310	28185 4Z320	28185 4Z600
ID NO.		CY338	CY348	CY358	CY120
RADIO	BAND	AM/FM	AM/FM	AM/FM	AM/FM
	AUTO TUNING	SEEK/SCAN	SEEK/SCAN	SEEK/SCAN	SEEK/SCAN
	FM DIVERSITY	—	—	—	—
	AM N.C.	—	—	—	—
	GLASS ANT.	—	—	—	—
INTERFACE	AUX CONNECTION	◎	◎	◎	◎
	REMOTE CONTROL	—	—	—	—
	PHONE CONNECTION	—	—	—	—
	CD A/C CONNECTION	—	—	—	—
	OTHERS	—	—	—	—
OTHERS	ESCUTCHEON	BLACK	BROWN	GRAY	BLACK
	ILLUMINATION COLOR	WHITE	WHITE	WHITE	WHITE
	POWER AMP	30W×4	30W×4	30W×4	30W×4
	DIMMER	◎	◎	◎	◎
	CLOCK	◎	◎	◎	◎
	FIX EQ	—	—	—	—
	AMP ON SIG	◎	◎	◎	◎

EXPLODED VIEW/PARTS LIST

Main section



Note) Some parts depend on each model. The model name is specified in the description.
(CY338; PN2165MG, CY348; PN2165MH, CY358; PN2165MI, CY120; PN2165MM)

NO.	PART NO.	DESCRIPTION	Q'TY	NO.	PART NO.	DESCRIPTION	Q'TY
*1	940-7894-63 940-7894-64 940-7894-65 940-7894-63	ESCUTCHEON ASSY(CY338) ESCUTCHEON ASSY(CY348) ESCUTCHEON ASSY(CY358) ESCUTCHEON ASSY(CY120)	1	6	335-5778-00	ILLUMI HOLDER	1
2	331-2448-01	LCD HOLDER	1	7	347-6178-00	COLOR FILTER	1
3	379-1161-20	INDICATOR	1	8	039-1502-01	SWITCH PWB (WITHOUT COMPONENT)	1
4	335-5779-00	COLOR FILTER	1	9	335-6197-00	SPACER	1
5	335-5777-00	LCD ILLUMI	1	10	347-2510-00	CUSHION TAPE	4

NO.	PART NO.	DESCRIPTION	Q'TY
*11	373-0957-30 373-0957-40 373-0957-50 373-0957-21	DIAL COVER(CY338) DIAL COVER(CY348) DIAL COVER(CY358) DIAL COVER(CY120)	1
12	380-5433-00	KNOB	1
13	716-0872-00	PAD SCREW(M1.7 x5)	6
14	016-0010-15	VARIABLE RESISTOR	1
15	017-0447-09	PILOT LAMP(8V105mA)	2
16	017-0433-08	PILOT LAMP(14V40m)	5
17	013-6302-50	SWITCH	1
18	013-6300-51	SWITCH	13
19	039-1463-00	SUB PWB (WITHOUT COMPONENT)	1
20	331-2449-01	CONNECTOR HOLDER	1
21	074-1185-10	OUTLET SOCKET(NS10/6MW)	1
22	039-1501-00	MAIN PWB (WITHOUT COMPONENT)	1
23	880-1916B	AM/FM TUNER PACK	1
24	092-0702-00	ANT RECEPT	1
25	305-0272-01	SIDE PLATE(L)	1
26	305-0273-01	SIDE PLATE(R)	1

NO.	PART NO.	DESCRIPTION	Q'TY
27	307-0613-01	REAR COVER	1
28	313-1739-00	HEAT SINK	1
29	714-2605-81	MACHINE SCREW(M2.6 x5)	11
30	714-2612-81	MACHINE SCREW(M2.6 x12)	6
31	800-0205-00	WIRE	1
*32	286-9269-06 286-9269-07 286-9269-08 286-9269-09	SETPLATE(CY338) SETPLATE(CY348) SETPLATE(CY358) SETPLATE(CY120)	1
33	303-0471-01	UPPER COVER	1
34	304-0459-01	LOWER COVER	1
35	331-2450-00	MECH BRACKET(FRONT)	1
36	331-2451-00	MECH BRACKET(REAR)	1
37	331-2452-00	ESCUTCHEON BRACKET	2
38	702-3008-81	TAP SCREW	2
39	714-2303-81	MACHINE SCREW(M2.3 x3)	8
40	347-2022-01	PAPER PART	1
41	716-1494-00	IT SCREW(M2.6 x6)	4
42	816-2490-00	FLAT WIRE	1
43	929-0069-88	CD MECHANISM	1

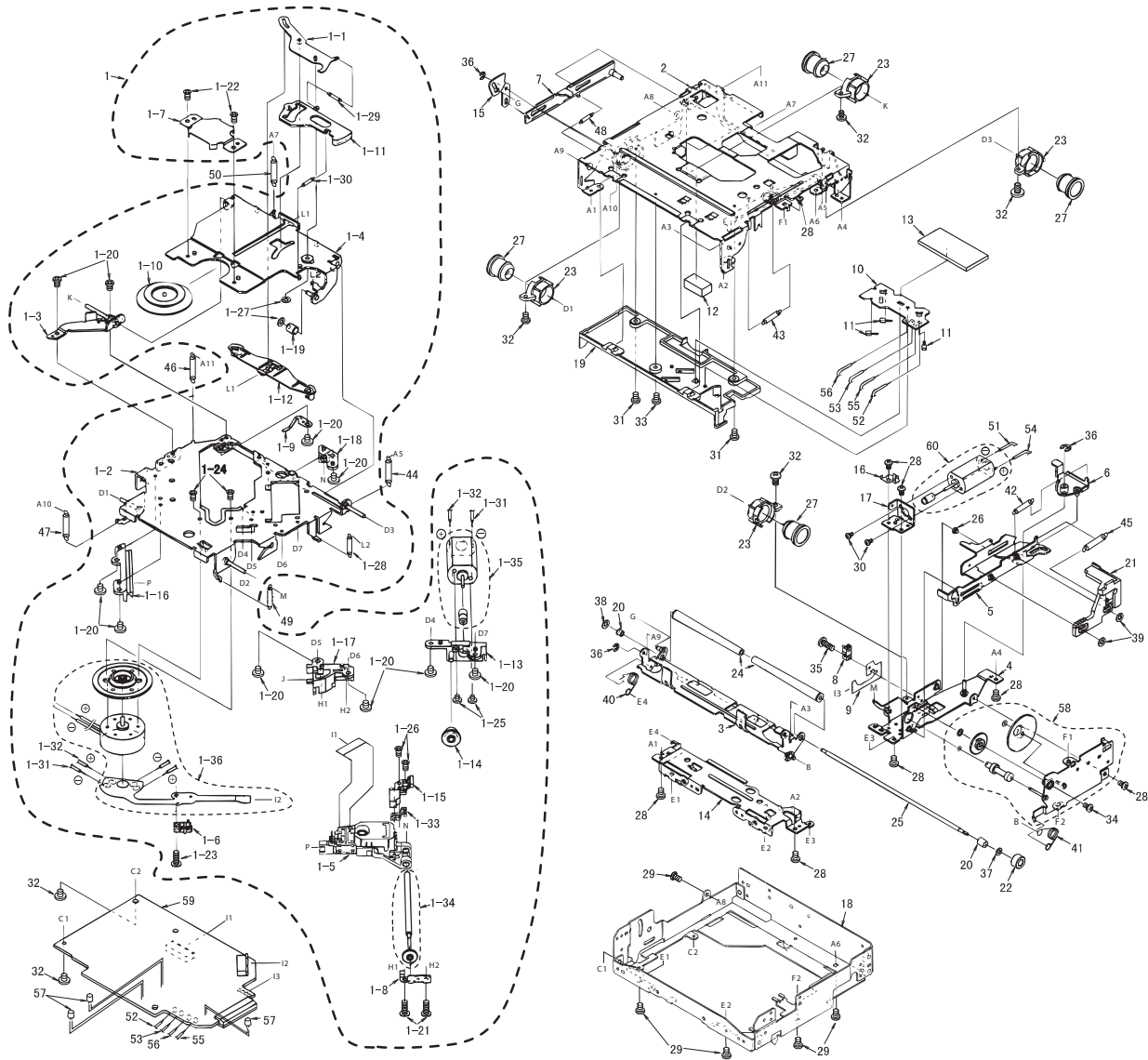
* Mark parts are differed original service manual.

CD mechanism section : 929-0069-88

NO.	PART NO.	DESCRIPTION	Q'TY
1	HBS-463-100	DRIVE UNIT	1
1-1	966-0314-40	STOP LINK-ASSY	1
1-2	966-0447-40	DR-PLATE-ASSY	1
1-3	966-0448-40	SIDE PLATE-ASSY	1
1-4	966-0449-40	CLAMP-LINK-ASSY	1
*1-5	969-0050-52 969-0050-04	PICK UP UNIT	1
1-6	013-7100-00	LIMIT SWITCH	1
*1-7	620-0198-40	CLAMPER PLATE	1
*1-8	620-0491-40	SPRING PLATE	1
1-9	620-0690-01	RATTLE PLATE	1
1-10	621-0205-02	CLAMPER RING	1
*1-11	621-0251-50	LOCK LINK	1
*1-12	621-0252-50	DISC STOPPER	1
*1-13	621-0253-50	MOTOR HOLDER	1
1-14	621-0255-02	SECOUND GEAR	1
*1-15	621-0375-50	SH-BASE	1
1-16	621-0357-03	PICK UP GUIDE	1
*1-17	621-0358-50	LS-HOLDER-F	1
*1-18	621-0359-50	LS-HOLDER-R	1
1-19	622-1073-02	CLAMPER ROLLER	1
1-20	714-2003-81	MACHINE SCREW(M2X3)	10
1-21	716-0675-00	SCREW(M2X5.5)	2
1-22	716-1468-00	SCREW(M2X2.5)	2
1-23	716-1555-00	WAVE SCREW(M2X5)	1
1-24	716-1733-00	SCREW(M1.7X2.3)	2
1-25	732-2004-11	SEMS SCREW	2
1-26	739-1735-17	PRECISION SCREW	2
1-27	746-0761-00	WASHER	2
1-28	750-3097-03	CLAMPER SPRING	1
1-29	750-3098-00	L-LINK SPRING	1

NO.	PART NO.	DESCRIPTION	Q'TY
1-30	750-3099-00	ES-SPRING	1
1-31	816-2372-00	LEAD(BLUE)	1
1-32	816-2373-00	LEAD(WHITE)	1
1-33	966-0454-00	SH-RACK-ASSY	1
1-34	HBS-432-100	LS-GEAR-ASSY	1
1-35	SMA-146-100	SLED MOTOR-ASSY	1
1-36	SMA-151-100	SPINDLE MOTOR-ASSY	1
*2	966-0308-41	CHASSIS-ASSY	1
*3	966-0309-23	L-DISC-G-ASSY	1
*4	966-0310-41	SFT-P-CH-ASSY	1
5	966-0312-40	SHIFT-P-ASSY	1
6	966-0358-40	DRIVE-L-PL-ASSY	1
7	966-0359-40	SIDE-L-PL-ASSY	1
8	013-3879-01	CHUCKING SWITCH	1
9	039-0586-01	CHUCKING SWITCH PWB (WITHOUT COMPONENT)	1
10	039-0588-01	SENSOR PWB (WITHOUT COMPONENT)	1
11	060-0252-01	PHOTO-TR (PT4850F)	3
12	345-7513-01	CLAMPER SHEET	1
13	345-7514-00	S-PWB-SHEET	1
*14	620-0485-40	FRONT PLATE	1
*15	620-0488-40	S-L-LINK PLATE	1
16	620-0489-02	MOTOR PLATE	1
17	620-0492-01	MOTOR BRACKET	1
*18	620-0773-40	MECH-BRACKET	1
*19	621-0402-50	U-DISC GUIDE-F	1
*20	621-0243-50	ROLLER SLEEVE	2
*21	621-0248-51	RACK GEAR	1
*22	621-0249-50	ROLLER GEAR	1
*23	621-0250-50	DAMPER HOLDER	4

PN-2165M-G,H
PN-2165M-I,M



NO.	PART NO.	DESCRIPTION	Q'TY
24	621-0258-03	LOADING ROLLER	2
25	622-1072-05	ROLLER SHAFT	1
26	622-1219-01	SHIFT ROLLER	1
27	629-0058-00	DAMPER-VA	4
28	714-2003-81	MACHINE SCREW(M2X3)	8
29	714-2603-81	MACHINE SCREW(M2.6X3)	5
30	716-1468-00	SCREW(M2X2.5)	2
31	716-1507-00	SCREW(M2X3)	2
32	716-1670-00	SCREW(M2X4)	6
33	716-1677-00	SCREW(M2X5)	1
34	716-1704-00	SCREW(M2X7)	1
35	716-1742-00	SCREW(M2X5)	1
36	743-1500-10	E-RING	3
37	746-0712-03	WASHER	1
38	746-0762-00	WASHER	1
39	746-0877-02	WASHER	2
40	750-3090-02	RO-SPRING-L	1
41	750-3091-03	RO-SPRING-R	1
42	750-3092-03	SHIFT SPRING	1

NO.	PART NO.	DESCRIPTION	Q'TY
43	750-3094-00	S-ARM SPRING	1
44	750-3096-01	DR-SPRING-R	1
45	750-3098-00	L-LINK SPRING	1
46	750-3164-00	DR-SPRING-LR	1
47	750-3188-00	DR-SPRING-F-B	1
48	750-3189-00	SIDE-L-SPRING	1
49	750-3201-00	DR-SPRING-F-R	1
50	750-3202-00	CENTER SPRING-B	1
51	800-4904-60	VINYL-COAT-WIRE(BLK)	1
52	800-4910-60	VINYL-COAT-WIRE(BLK)	1
53	801-4910-60	VINYL-COAT-WIRE(BRN)	1
54	802-4904-60	VINYL-COAT-WIRE(RED)	1
55	802-4910-60	VINYL-COAT-WIRE(RED)	1
56	804-4910-60	VINYL-COAT-WIRE(YEL)	1
57	001-0563-00	DIODE	3
58	HBS-430-100	GEAR-PLATE-ASSY	1
*59	039-1088-05	MECHANISM PWB (WITHOUT COMPONENT)	1
60	SMA-147-100	LOADING MOTOR-ASSY	1

ELECTRICAL PARTS LIST

Note) Several different parts of the same reference number are alternative parts.

One of those parts is used in the set.

Note)Some parts depend on each model.The model name is specified in the description .

Main PWB section(B1)

(CY338;PN2165MG/MH/MI, CY120;PN2165MM)

REF No.	PART No.	DESCRIPTION	REF No.	PART No.	DESCRIPTION	REF No.	PART No.	DESCRIPTION
ANT101	092-0702-00	ANT RECEPT	C410	184-4773-22	10V470uF	C690	176-2201-50	22pF CH(CY338)
BL101	880-1916B	AM/FM TUNER	C411	183-4756-58	35V4.7uF NP	C690	117-0000-05	1/8W 0 ohm JW(CY120)
C108	176-1501-50	15pF CH	C413	178-1042-78	0.1uF	D301	001-0294-00	1SS133
C109	043-0277-51	0.022uF	C414	178-1042-78	0.1uF	D301	001-0330-90	1SS119
C110	176-1021-50	1000pF CH	C416	183-4763-17	6.3V47uF	D401	001-0504-31	HZS6 A2L
C111	183-1073-29	10V100uF	C417	178-1042-78	0.1uF	D402	001-0377-48	MA4091H
C112	042-0458-90	50V1uF	C418	178-1042-78	0.1uF	D402	001-0376-49	MTZJ10A
C113	183-1073-29	10V100uF	C420	042-0505-81	10V22uF	D402	001-0400-48	HZS9.1JB3
C115	042-0562-86	50V1uF	C421	178-1042-78	0.1uF	D403	001-0294-00	1SS133
C116	178-1232-78	0.012uF	C422	178-1042-78	0.1uF	D403	001-0330-90	1SS119
C140	172-2231-15	0.022uF	C423	183-4763-39	16V47uF	D404	001-0504-45	HZS9B1L
C141	183-4763-39	16V47uF	C424	042-0505-81	10V22uF	D405	001-0504-31	HZS6 A2L
C143	117-0000-05	1/8W 0 ohm JW	C503	042-0562-70	16V47uF	D405	001-0377-39	MA4068H
C144	176-1007-50	10pF CH	C504	183-1053-69	50V1uF	D406	001-0400-39	HZS6.8JB3
C145	178-3932-78	0.039uF	C505	042-0465-00	16V3300uF	D406	001-0376-40	MTZJ7.5A
C146	178-3932-78	0.039uF	C506	172-1041-15	0.1uF	D407	001-0400-43	HZS8.2JB1
C153	183-1073-29	10V100uF	C507	183-1063-39	16V10uF	D407	001-0376-44	MTZJ8.2B
C154	178-1042-78	0.1uF	C508	176-1011-50	100pF CH	D407	001-0377-43	MA4082L
C156	176-1007-50	10pF CH	C510	176-4711-50	470pF CH	D410	001-0294-00	1SS133
C157	178-2232-78	0.022uF	C601	042-0562-67	16V10uF	D410	001-0330-90	1SS119
C158	176-1011-50	100pF CH	C602	042-0562-67	16V10uF	D503	001-0466-90	S5688B
C201	042-0562-67	16V10uF	C603	042-0562-67	16V10uF	D505	001-0466-90	S5688B
C202	183-1043-69	50V0.1uF	C604	042-0562-67	16V10uF	D506	001-0466-90	S5688B
C203	183-1043-69	50V0.1uF	C609	176-2201-50	22pF CH(CY338)	D507	001-0377-34	MA4062L
C204	042-0562-67	16V10uF	C610	176-2201-50	22pF CH(CY338)	D507	001-0400-34	HZS6C1
C205	042-0562-67	16V10uF	C611	176-2201-50	22pF CH(CY338)	D507	001-0346-34	MTZJ6.2A
C206	042-0562-67	16V10uF	C612	176-2201-50	22pF CH(CY338)	D508	001-0627-90	U1BC44
C207	178-1042-78	0.1uF	C629	178-1032-78	0.01uF	D509	001-0627-90	U1BC44
C208	183-3353-69	50V3.3uF	C630	178-2232-78	0.022uF	D510	001-0627-90	U1BC44
C209	183-3353-69	50V3.3uF	C631	178-4732-78	0.047uF(CY338)	D511	001-0627-90	U1BC44
C210	042-0505-84	10V33uF	C631	117-0000-05	1/8W 0 ohm JW(CY120)	IC201	051-5012-00	LC75386
C211	178-1042-78	0.1uF	C632	178-4732-78	0.047uF(CY338)	IC301	052-1160-01	LC72366-9946
C212	042-0562-86	50V1uF	C632	117-0000-05	1/8W 0 ohm JW(CY120)	IC601	051-3019-90	NJM2060V(CY338)
C213	042-0562-86	50V1uF	C633	117-0000-05	1/8W 0 ohm JW	IC604	051-2023-01	TA8260AH
C214	042-0562-67	16V10uF	C634	117-0000-05	1/8W 0 ohm JW	IC606	051-3020-90	NJM4565V
C215	042-0562-67	16V10uF	C638	183-2253-67	50V2.2uF	J201	074-0850-08	8P
C216	042-0562-67	16V10uF	C639	178-1242-78	0.12uF	J301	074-1186-26	26P
C217	042-0562-67	16V10uF	C640	178-1242-78	0.12uF	L102	010-2003-04	COIL
C218	042-0562-86	50V1uF	C641	178-3332-78	0.033uF(CY338)	L401	010-2230-64	2.2uH
C219	042-0562-86	50V1uF	C641	178-1242-78	0.12uF(CY120)	L501	009-0670-01	CHOKE
C220	178-1242-78	0.12uF	C644	178-3332-78	0.033uF(CY338)	P501	076-0324-16	16P
C221	178-1242-78	0.12uF	C644	178-1242-78	0.12uF(CY120)	P502	076-0540-12	12P
C222	178-1532-78	0.015uF	C646	172-1041-15	0.1uF	P503	076-0540-10	10P
C223	178-1532-78	0.015uF	C647	183-1053-69	50V1uF	Q103	198-0669-00	2SK669
C224	178-3312-78	330pF	C648	178-2222-55	2200pF	Q106	190-1150-00	2SA1150
C225	178-3312-78	330pF	C649	178-2222-55	2200pF	Q107	190-1150-00	2SA1150
C226	042-0562-67	16V10uF	C650	178-2222-55	2200pF	Q109	125-2005-91	UN2211
C227	042-0562-67	16V10uF	C651	178-2222-55	2200pF	Q201	125-2005-91	UN2211
C228	178-3332-78	0.033uF	C652	178-2222-55	2200pF	Q203	125-9003-92	IMD3
C229	042-0505-84	10V33uF	C653	178-2222-55	2200pF	Q301	125-0001-91	UN2111
C301	176-1011-50	100pF CH	C654	178-2222-55	2200pF	Q401	193-2118-00	2SD2118
C302	176-1011-50	100pF CH	C655	178-2222-55	2200pF	Q402	193-2118-00	2SD2118
C303	176-1011-50	100pF CH	C656	178-2222-55	2200pF	Q405	190-1428-00	2SA1428
C304	176-1011-50	100pF CH	C657	178-2222-55	2200pF	Q406	125-2005-91	UN2211
C306	176-2201-50	22pF CH	C657	178-2222-55	2200pF	Q407	190-1048-00	2SA1048
C307	183-1053-67	50V1uF	C662	042-0417-90	10V220uF	Q409	102-3420-00	2SC3420
C308	178-3922-78	3900pF	C663	042-0562-70	16V47uF	Q410	193-1858-00	2SD1858
C309	178-3922-78	3900pF	C686	178-1032-78	0.01uF	Q411	125-9002-02	RN4602
C310	178-4742-78	0.47uF	C687	176-2201-50	22pF CH(CY338)	Q411	125-9003-92	IMD3
C401	183-4763-17	6.3V47uF	C687	117-0000-05	1/8W 0 ohm JW(CY120)	Q412	193-0601-00	2SD601A
C402	178-1042-78	0.1uF	C688	176-2201-50	22pF CH(CY338)	Q414	125-2005-91	UN2211
C403	183-1063-39	16V10uF	C688	117-0000-05	1/8W 0 ohm JW(CY120)	Q417	193-2118-00	2SD2118
C404	042-0417-90	10V220uF	C689	176-2201-50	22pF CH(CY338)	Q419	193-1306-00	2SD1306
C405	183-1073-29	10V100uF	C689	117-0000-05	1/8W 0 ohm JW(CY120)	Q420	193-0601-00	2SD601A
C406	183-1063-39	16V10uF	C689	176-2201-50	22pF CH(CY338)	Q421	125-9003-92	IMD3
C407	183-1063-39	16V10uF	C689	117-0000-05	1/8W 0 ohm JW(CY120)	Q422	125-0001-91	UN2111
C408	183-4763-19	6.3V47uF				Q423	125-2005-91	UN2211
C409	178-1042-78	0.1uF						

REF No.	PART No.	DESCRIPTION	REF No.	PART No.	DESCRIPTION	REF No.	PART No.	DESCRIPTION
Q503	193-0601-00	2SD601A	R327	119-1021-15	1/10W 1k ohm	R612	117-4721-15	1/8W 4.7k ohm
R2	117-0000-00	1/8W 0 ohm	R328	119-1021-15	1/10W 1k ohm	(CY338)		
R110	117-2221-15	1/8W 2.2k ohm	R405	111-2211-98	1/4W 220 ohm	R613	117-4721-15	1/8W 4.7k ohm
R111	117-2221-15	1/8W 2.2k ohm	R406	111-4711-98	1/4W 470 ohm	(CY338)		
R112	117-3321-15	1/8W 3.3k ohm	R407	117-1041-15	1/8W 100k ohm	R614	117-4721-15	1/8W 4.7k ohm
R113	117-4721-15	1/8W 4.7k ohm	R408	111-1021-98	1/4W 1k ohm	(CY338)		
R115	111-2221-98	1/4W 2.2k ohm	R409	117-3321-15	1/8W 3.3k ohm	R615	117-1031-15	1/8W 10k ohm
R116	117-1021-15	1/8W 1k ohm	R410	117-2231-15	1/8W 22k ohm	(CY338)		
R118	111-1031-98	1/4W 10k ohm	R411	117-1031-15	1/8W 10k ohm	R615	117-0000-05	1/8W 0 ohm
R120	111-1031-98	1/4W 10k ohm	R414	111-3911-98	1/4W 390 ohm	JW(CY120)		
R121	111-2221-98	1/4W 2.2k ohm	R415	117-1041-15	1/8W 100k ohm	R616	117-1031-15	1/8W 10k ohm
R132	117-2221-15	1/8W 2.2k ohm	R416	117-6821-15	1/8W 6.8k ohm	(CY338)		
R133	111-5691-98	1/4W 5.6 ohm	R417	117-2231-15	1/8W 22k ohm	R616	117-0000-05	1/8W 0 ohm
R134	117-4741-15	1/8W 470k ohm	R418	111-2021-98	1/4W 2k ohmJ	JW(CY120)		
R135	111-1001-98	1/4W 10 ohm	R419	117-1031-15	1/8W 10k ohm	R617	117-0000-05	1/8W 0 ohm JW
R136	111-8291-98	1/4W 8.2 ohm	R420	111-4731-98	1/4W 47k ohm	R618	117-0000-05	1/8W 0 ohm JW
R138	117-1011-15	1/8W 100 ohm	R427	111-8211-98	1/4W 820 ohm	R619	117-0000-05	1/8W 0 ohm JW
R139	117-8201-15	1/8W 82 ohm	R428	111-8211-98	1/4W 820 ohm	R620	117-0000-05	1/8W 0 ohm JW
R201	117-3011-15	1/8W 300 ohm	R429	111-8211-98	1/4W 820 ohm	R645	117-1831-15	1/8W 18k ohm
R202	117-4731-15	1/8W 47k ohm	R430	117-5611-15	1/8W 560 ohm	(CY338)		
R203	117-3931-15	1/8W 39k ohm	R432	111-1831-98	1/4W 18k ohm	R645	117-8231-15	1/8W 82k ohm
R204	117-4731-15	1/8W 47k ohm	R433	111-4721-98	1/4W 4.7k ohm	(CY120)		
R205	111-8211-98	1/4W 820 ohm	R434	111-2021-98	1/4W 2k ohmJ	R646	117-4721-15	1/8W 4.7k ohm
R206	117-3011-15	1/8W 300 ohm	R435	111-8211-98	1/4W 820 ohm	R647	117-1021-15	1/8W 1k ohm
R207	117-0000-05	1/8W 0 ohm JW	R438	117-4741-15	1/8W 470k ohm	R650	117-0000-05	1/8W 0 ohm JW
R208	117-0000-05	1/8W 0 ohm JW	R439	111-2291-98	1/4W 2.2 ohm	R651	117-0000-05	1/8W 0 ohm JW
R209	117-4721-15	1/8W 4.7k ohm	R502	117-4731-15	1/8W 47k ohm	R658	111-1031-98	1/4W 10k ohm
R210	117-4721-15	1/8W 4.7k ohm	R505	117-8221-15	1/8W 8.2k ohm	R659	111-1031-98	1/4W 10k ohm
R213	117-4741-15	1/8W 470k ohm	R506	117-4731-15	1/8W 47k ohm	R664	111-1031-98	1/4W 10k ohm
R215	111-8211-98	1/4W 820 ohm	R507	117-1031-15	1/8W 10k ohm	R667	111-1031-98	1/4W 10k ohm
R216	032-0106-63	1/8W 47k ohm D	R508	111-1531-98	1/4W 15k ohm	R668	117-0000-05	1/8W 0 ohm JW
R217	032-0106-63	1/8W 47k ohm D	R509	114-2291-11	1W 2.2 ohm	R669	117-0000-05	1/8W 0 ohm JW
R218	032-0106-63	1/8W 47k ohm D	R510	117-5611-15	1/8W 560 ohm	R670	117-2221-15	1/8W 2.2k ohm
R219	032-0106-63	1/8W 47k ohm D	R511	117-1021-15	1/8W 1k ohm	R682	117-1531-15	1/8W 15k ohm
R220	117-4731-15	1/8W 47k ohm	R601	117-1031-15	1/8W 10k ohm	(CY338)		
R221	117-3931-15	1/8W 39k ohm	R601	117-0000-05	1/8W 0 ohm	R683	117-1531-15	1/8W 15k ohm
R301	117-2231-15	1/8W 22k ohm	JW(CY120)		(CY338)			
R302	117-4731-15	1/8W 47k ohm	R602	117-1031-15	1/8W 10k ohm	R684	117-1531-15	1/8W 15k ohm
R303	117-1031-15	1/8W 10k ohm	(CY338)		(CY338)			
R304	117-1031-15	1/8W 10k ohm	R602	117-0000-05	1/8W 0 ohm	R685	117-1531-15	1/8W 15k ohm
R305	117-4731-15	1/8W 47k ohm	JW(CY120)		(CY338)			
R306	117-1041-15	1/8W 100k ohm	R603	117-1031-15	1/8W 10k ohm	R686	117-1031-15	1/8W 10k ohm
R307	117-1041-15	1/8W 100k ohm	(CY338)		(CY338)			
R308	117-1041-15	1/8W 100k ohm	R603	117-0000-05	1/8W 0 ohm	R686	117-2021-15	1/8W 2k ohm
R309	117-4731-15	1/8W 47k ohm	JW(CY120)		(CY120)			
R310	117-1031-15	1/8W 10k ohm	R604	117-1031-15	1/8W 10k ohm	R687	117-1031-15	1/8W 10k ohm
R311	117-1031-15	1/8W 10k ohm	(CY338)		(CY338)			
R312	117-4731-15	1/8W 47k ohm	R604	117-0000-05	1/8W 0 ohm	R687	117-2021-15	1/8W 2k ohm
R313	117-4731-15	1/8W 47k ohm	JW(CY120)		(CY120)			
R315	117-4731-15	1/8W 47k ohm	R609	117-1031-15	1/8W 10k ohm	R688	117-1031-15	1/8W 10k ohm
R316	117-6841-15	1/8W 680k ohm	(CY338)		(CY338)			
R317	117-1021-15	1/8W 1k ohm	R609	117-0000-05	1/8W 0 ohm	R688	117-2021-15	1/8W 2k ohm
R318	117-1021-15	1/8W 1k ohm	JW(CY120)		(CY120)			
R319	117-1031-15	1/8W 10k ohm	R610	117-1031-15	1/8W 10k ohm	R689	117-1031-15	1/8W 10k ohm
R320	117-1031-15	1/8W 10k ohm	(CY338)		(CY338)			
R322	117-1031-15	1/8W 10k ohm	R610	117-0000-05	1/8W 0 ohm	R689	117-2021-15	1/8W 2k ohm
R323	119-1021-15	1/10W 1k ohm	JW(CY120)		(CY120)			
R324	119-1021-15	1/10W 1k ohm	R611	117-4721-15	1/8W 4.7k ohm	SUP101	060-0122-20	DSP-141N-S00B
R325	119-1021-15	1/10W 1k ohm	(CY338)		(CY338)	TC301	004-1580-64	47pF
R326	119-1021-15	1/10W 1k ohm				X301	061-1053-00	4.5MHz

Mechanism PWB section(B4)

Difference the following parts in the parts list.(page 12)

REF No.	PART No.	DESCRIPTION
L3	010-3407-62	10 uH J

Other parts of PN-2165M-G,H,I,M are the same as PN-2165M-A,B,C.