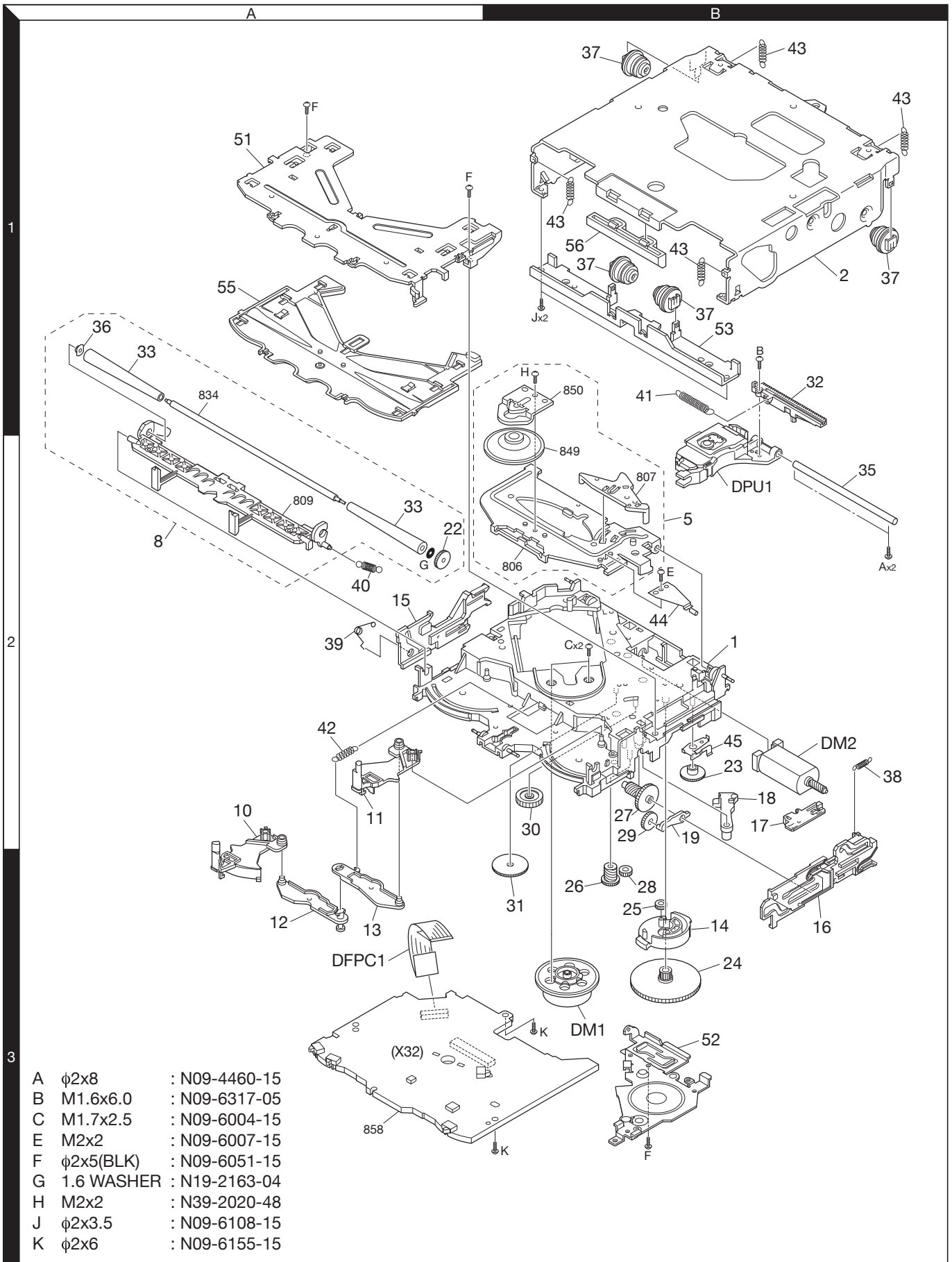


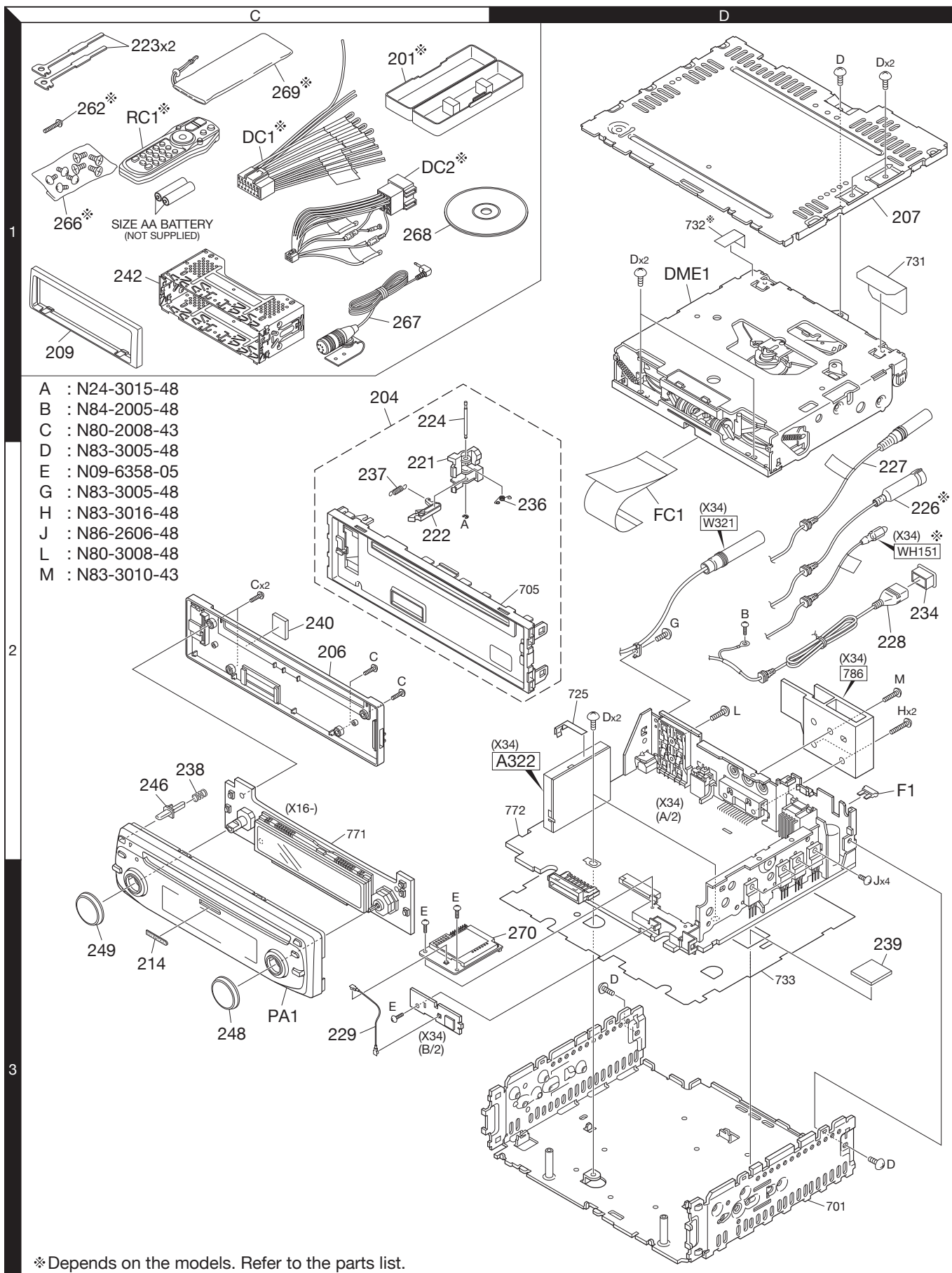
EXPLODED VIEW (CD MECHANISM)



A	φ2x8	: N09-4460-15
B	M1.6x6.0	: N09-6317-05
C	M1.7x2.5	: N09-6004-15
E	M2x2	: N09-6007-15
F	φ2x5(BLK)	: N09-6051-15
G	1.6 WASHER	: N19-2163-04
H	M2x2	: N39-2020-48
J	φ2x3.5	: N09-6108-15
K	φ2x6	: N09-6155-15

Parts with the exploded numbers larger than 700 are not supplied.

EXPLODED VIEW (UNIT)



Parts with the exploded numbers larger than 700 are not supplied.

PARTS LIST

* New parts

Parts without **Parts No.** are not supplied.

Les articles non mentionnés dans le **Parts No.** ne sont pas fournis.

Teile ohne **Parts No.** werden nicht geliefert.

Ref. No.	A d d	N e w	Parts No.	Description	Desti- nation
KDC-BT7539U/BT8041U/BT8141UY/BT838U					
201	1C		A02-2755-13	PLASTIC CABINET ASSY	M1
204	1C		A22-3149-03	SUB PANEL ASSY	
206	2C		A46-1866-11	REAR COVER	
207	1D		A52-0897-02	TOP PLATE	
PA1	3C	*	A64-4444-02	PANEL ASSY	K
PA1	3C	*	A64-4445-02	PANEL ASSY	E1
PA1	3C	*	A64-4446-02	PANEL ASSY	E2
PA1	3C	*	A64-4447-02	PANEL ASSY	M1
RC1	1C		A70-2085-05	REMOTE CONTROLLER ASSY (RC-547)	KE2M1
-		*	B64-4159-00	INSTRUCTION MANUA (ENG.FRE.SPA)	K
-		*	B64-4160-00	INSTRUCTION MANUAL (ENG.)	E1E2
-		*	B64-4161-00	INSTRUCTION MANUA (FRE.GER.DUT)	E1
-		*	B64-4162-00	INSTRUCTION MANUA (DUT.ITA.SPA)	E1
-		*	B64-4163-00	INSTRUCTION MANUAL (RUS.)	E2
-		*	B64-4164-00	INSTRUCTION MANUAL (ENG.S-CHI.)	M1
-		*	B64-4165-00	INSTRUCTION MANUAL (ARA.)	M1
209	1C		B07-3245-01	ESCUTCHEON	
214	3C		B43-1518-04	BADGE	
221	2C		D10-4446-03	LEVER	
222	2C		D10-4447-03	LEVER	
223	1C		D10-7012-04	LEVER	
224	1C		D21-2329-04	SHAFT	
226	2D		E30-6823-05	CORD WITH DIN CONNECTOR (OPEL)	E1
227	2D	*	E30-6832-05	CORD WITH CONNECTOR (MIC)	
228	2D		E30-6821-05	CORD WITH CONNECTOR (USB)	
229	3C	*	E39-1022-05	WIRING HARNESS (BT ANT)	
△ DC1	1C		E30-6428-05	DC CORD	KM1
△ DC2	1C		E30-6671-05	DC CORD	E1E2
FC1	2D		E39-0974-05	FLAT CABLE	
234	2D		F29-0637-04	INSULATING COVER (USB)	
△ F1	2D		F52-0023-05	FUSE (MINI BLADE TYPE) 10A	
236	2D		G01-2987-04	TORSION COIL SPRING	
237	2C		G01-3096-04	EXTENSION SPRING	
238	2C		G01-3244-04	COMPRESSION SPRING	
239	3D	*	G16-1721-04	SHEET (THERMAL X34)	
240	2C		G16-1720-04	SHEET (THERMAL X16)	
-		*	H54-4370-03	ITEM CARTON CASE	K
-		*	H54-4371-03	ITEM CARTON CASE	E1
-		*	H54-4372-03	ITEM CARTON CASE	E2
-		*	H54-4373-03	ITEM CARTON CASE	M1
242	1C		J21-9716-03	MOUNTING HARDWARE ASSY	
246	2C		K24-4808-03	PUSH KNOB (RELEASE)	
248	3C		K28-0293-14	KNOB ASSY (JOG ASSY)	
249	3C	*	K28-0323-04	KNOB ASSY (VOL ASSY)	
262	1C		N84-4016-48	PAN HEAD TAPTITE SCREW	KM1
266	1C		N99-1757-15	SCREW SET	KM1
A	2C		N24-3015-48	E TYPE RETAINING RING	
B	2D		N84-2005-48	PAN HEAD TAPTITE SCREW	
C	2C		N80-2008-43	PAN HEAD TAPTITE SCREW	
D	1D		N83-3005-48	PAN HEAD TAPTITE SCREW	

Ref. No.	A d d	N e w	Parts No.	Description	Desti- nation
E	3C		N09-6358-05	TAPTITE SCREW	
267	1C		W01-1718-05	MICROPHONE	
268	1C	*	W01-1723-15	COMPACT DISC	KE1E2
269	1C		W01-1710-05	CARRYING CASE	
270	3D	*	W02-5280-15	ELECTRIC CIRCUIT MODULE (BT)	
DME1	1D		X92-6130-00	CD MECHANISM ASSY (DXM-6E20W)	
SWITCH UNIT (X16-638x-xx)					
D1			B30-1566-05	LED (1608,RED)	
D2-9			B30-1790-05	LED (1608 BLUE)	
D11-13			B30-1790-05	LED (1608 BLUE)	
D16			B30-1790-05	LED (1608 BLUE)	
C45-47			CC73GCH1H101J	CHIP C 100PF	J
C61			CC73GCH1H101J	CHIP C 100PF	J
C64			CK73FB1A225K	CHIP C 2.2UF	K
C66			CK73FB1C105K	CHIP C 1.0UF	K
C71			CC73GCH1H180J	CHIP C 18PF	J
					E1E2
C72			CC73GCH1H330J	CHIP C 33PF	J
C74			CC73GCH1H680J	CHIP C 68PF	J
C76			CK73GB1C104K	CHIP C 0.10UF	K
C77			CC73GCH1H101J	CHIP C 100PF	J
C85			CK73GB1H103K	CHIP C 0.010UF	K
C86			CC73GCH1H101J	CHIP C 100PF	J
J1			E59-0852-05	RECTANGULAR PLUG	
L1,2			L40-4775-38	SMALL FIXED INDUCTOR (47NH)	E1E2
X1			L78-0872-05	RESONATOR (12MHZ)	
CP1,2			RK74GA1J332J	CHIP-COM 3.3K	J 1/16W
CP11,12			RK74HB1J101J	CHIP-COM 100	J 1/16W
CP13,14			RK74GA1J332J	CHIP-COM 3.3K	J 1/16W
CP15			RK74HB1J102J	CHIP-COM 1.0K	J 1/16W
CP16			RK74HB1J223J	CHIP-COM 22K	J 1/16W
CP17			RK74HB1J102J	CHIP-COM 1.0K	J 1/16W
CP18,19			RK74GA1J473J	CHIP-COM 47K	J 1/16W
R1			RK73GB2A331J	CHIP R 330	J 1/10W
R2			RK73GB2A2R2J	CHIP R 2.2	J 1/10W
R3			RK73GB2A471J	CHIP R 470	J 1/10W
R5-7			RK73GB2A471J	CHIP R 470	J 1/10W
R10			RK73GB2A471J	CHIP R 470	J 1/10W
R12			RK73GB2A471J	CHIP R 470	J 1/10W
R51			RK73FB2B102J	CHIP R 1.0K	J 1/8W
R52			RK73GB2A473J	CHIP R 47K	J 1/10W
R61			RK73GB2A104J	CHIP R 100K	J 1/10W
R62			RK73FB2B180J	CHIP R 18	J 1/8W
R63-66			RK73PB2H240J	CHIP R 24	J 1/2W
R67			RK73GB2A101J	CHIP R 100	J 1/10W
R68			RK73GB2A473J	CHIP R 47K	J 1/10W
R69			RK73GB2A101J	CHIP R 100	J 1/10W
R71,72			RK73GB2A101J	CHIP R 100	J 1/10W
R74			RK73GB2A102J	CHIP R 1.0K	J 1/10W
R76			RK73GB2A103J	CHIP R 10K	J 1/10W
R78			RK73GB2A104J	CHIP R 100K	J 1/10W
R79,80			RK73GB2A473J	CHIP R 47K	J 1/10W

E1 : KDC-BT8041U **E2** : KDC-BT8141UY (Europe)
K : KDC-BT838U (North America) **M1** : KDC-BT7539U (Other Areas)

△ Indicates safety critical components.

PARTS LIST

SWITCH UNIT (X16-638x-xx)

Ref. No.	Add	New	Parts No.	Description	Destination
R81			RK73GB2A221J	CHIP R 220 J 1/10W	
S2-7			S70-0901-05	TACT SWITCH	
S8			S70-0947-05	TACT SWITCH	
S1			T99-0474-05	ROTARY ENCODER	
D18,19			DA204U	DIODE	
D40			UDZW6.8(B)	ZENER DIODE	
D41			UDZW5.1(B)	ZENER DIODE	
ED1			GP1210AI	FLUORESCENT INDICATOR TUBE	
IC1		*	30624MGPB53GP	MICROCONTROLLER IC	K
IC1		*	30624MWPB81GP	MICROCONTROLLER IC	E1E2
IC1		*	30626MJPA23GP	MICROCONTROLLER IC	M1
IC3			PIC95603	ANALOGUE IC	
Q1			DTC143ZUA	DIGITAL TRANSISTOR	
Q3-6			DTC143ZUA	DIGITAL TRANSISTOR	
Q11			2SB1188(Q,R)	TRANSISTOR	
CD PLAYER UNIT (X32-6130-00) IN CD MECHA.					
C20			CC73GCH1H330J	CHIP C 33PF J	
C23			CC73GCH1H151J	CHIP C 150PF J	
C24			CK73FB1A225K	CHIP C 2.2UF K	
C25			CK73GB1A105K	CHIP C 1.0UF K	
C26			CK73GB1H153K	CHIP C 0.015UF K	
C27			CC73GCH1H470J	CHIP C 47PF J	
C30-32			CK73GB1H103K	CHIP C 0.010UF K	
C33			CK73GB1H332K	CHIP C 3300PF K	
C34			CK73GB1H104K	CHIP C 0.10UF K	
C35			CK73GB1H153K	CHIP C 0.015UF K	
C36			CK73GB1H104K	CHIP C 0.10UF K	
C38			CC73GCH1H680J	CHIP C 68PF J	
C39			CK73GB1H104K	CHIP C 0.10UF K	
C41			CK73GB1A105K	CHIP C 1.0UF K	
C44			CK73GB1H104K	CHIP C 0.10UF K	
C45			CK73GB1H223K	CHIP C 0.022UF K	
C46			CK73GB1H103K	CHIP C 0.010UF K	
C47,48			CK73GB1H333K	CHIP C 0.033UF K	
C49,50			CK73GB1H104K	CHIP C 0.10UF K	
C51			CK73GB1H222K	CHIP C 2200PF K	
C52,53			CK73GB1H104K	CHIP C 0.10UF K	
C54			CK73GB1A105K	CHIP C 1.0UF K	
C58			CK73GB1A105K	CHIP C 1.0UF K	
C60			CK73EB0J226K	CHIP C 22UF K	
C61-64			CK73GB1H104K	CHIP C 0.10UF K	
C66			CK73FB1C105K	CHIP C 1.0UF K	
C68,69			CK73GB1H104K	CHIP C 0.10UF K	
C71			CK73GB1H104K	CHIP C 0.10UF K	
C72			CK73FB0J106K	CHIP C 10UF K	
C87,88			CK73GB1H332K	CHIP C 3300PF K	
C89-91			CK73GB1H104K	CHIP C 0.10UF K	
C94,95			CK73GB1A105K	CHIP C 1.0UF K	
C96			CK73GB1H103K	CHIP C 0.010UF K	
C97			CK73GB1H104K	CHIP C 0.10UF K	
C101			CK73GB1C224K	CHIP C 0.22UF K	
C102			CK73GB1A474K	CHIP C 0.47UF K	

Ref. No.	Add	New	Parts No.	Description	Destination
C103			CK73GB1H153K	CHIP C 0.015UF K	
C104			CK73FB1A225K	CHIP C 2.2UF K	
CN1			E41-2612-05	FLAT CABLE CONNECTOR	
CN2			E41-2630-05	FLAT CABLE CONNECTOR	
X1			L78-1221-05	RESONATOR (16.93MHZ)	
CP7			RK74GB1J103J	CHIP-COM 10K J 1/16W	
R20			RK73GB2A184J	CHIP R 180K J 1/10W	
R27			RK73GB2A912J	CHIP R 9.1K J 1/10W	
R29			RK73GB2A102J	CHIP R 1.0K J 1/10W	
R30			RK73GB2A101J	CHIP R 100 J 1/10W	
R31			RK73GB2A224J	CHIP R 220K J 1/10W	
R32			RK73GB2A181J	CHIP R 180 J 1/10W	
R33			RK73GB2A153J	CHIP R 15K J 1/10W	
R34			RK73GB2A473J	CHIP R 47K J 1/10W	
R35			RK73GB2A562J	CHIP R 5.6K J 1/10W	
R36			RK73GB2A154J	CHIP R 150K J 1/10W	
R37			RK73GB2A334J	CHIP R 330K J 1/10W	
R38			RK73GB2A223J	CHIP R 22K J 1/10W	
R40			RK73GB2A114J	CHIP R 110K J 1/10W	
R41			RK73GB2A473J	CHIP R 47K J 1/10W	
R45			RK73GB2A221J	CHIP R 220 J 1/10W	
R46			RK73GB2A105J	CHIP R 1.0M J 1/10W	
R50			RK73GB2A560J	CHIP R 56 J 1/10W	
R51			RK73EB2E220J	CHIP R 22 J 1/4W	
R52			RK73EB2E100J	CHIP R 10 J 1/4W	
R55			RK73GB2A103J	CHIP R 10K J 1/10W	
R59			RK73GB2A4R7J	CHIP R 4.7 J 1/10W	
R60,61			RK73GB2A103J	CHIP R 10K J 1/10W	
R82,83			RK73GB2A331J	CHIP R 330 J 1/10W	
R207			RK73EB2E000J	CHIP R 0.0 J 1/4W	
R216,217			RK73GB2A103J	CHIP R 10K J 1/10W	
R221,222			RK73GB2A101J	CHIP R 100 J 1/10W	
R226			RK73GB2A101J	CHIP R 100 J 1/10W	
R228-230			RK73GB2A101J	CHIP R 100 J 1/10W	
R231			RK73GB2A473J	CHIP R 47K J 1/10W	
R232			RK73GB2A104J	CHIP R 100K J 1/10W	
R233			RK73GB2A331J	CHIP R 330 J 1/10W	
R240			RK73EB2E000J	CHIP R 0.0 J 1/4W	
R241			RK73GB2A104J	CHIP R 100K J 1/10W	
R243			RK73GB2A472J	CHIP R 4.7K J 1/10W	
R244			RK73GB2A225J	CHIP R 2.2M J 1/10W	
R246			RK73GB2A104J	CHIP R 100K J 1/10W	
R247			RK73GB2A101J	CHIP R 100 J 1/10W	
R252			RK73GB2A102J	CHIP R 1.0K J 1/10W	
R257-261			RK73GB2A101J	CHIP R 100 J 1/10W	
R262-264			RK73GB2A472J	CHIP R 4.7K J 1/10W	
R280			RK73GB2A103J	CHIP R 10K J 1/10W	
R281,282			RK73GB2A2R2J	CHIP R 2.2 J 1/10W	
R284,285			RK73GB2A2R2J	CHIP R 2.2 J 1/10W	
R287			RK73GB2A2R2J	CHIP R 2.2 J 1/10W	
R288			RK73GB2A302J	CHIP R 3.0K J 1/10W	
R289			RK73GB2A103J	CHIP R 10K J 1/10W	

E1 : KDC-BT8041U E2 : KDC-BT8141UY (Europe)
K : KDC-BT838U (North America) M1 : KDC-BT7539U (Other Areas)

△ Indicates safety critical components.

PARTS LIST

CD PLAYER UNIT (X32-6130-00) IN CD MECHA.

Ref. No.	Add	New	Parts No.	Description	Destination	Ref. No.	Add	New	Parts No.	Description	Destination
S1,2			S68-0863-05	PUSH SWITCH		C337			CK73EB1A475K	CHIP C 4.7UF K	
S3			S68-0862-05	PUSH SWITCH		C401,402			CD04AS1V100M	ELECTRO 10UF 35WV	
D2			DAP202U	DIODE		C405,406			CD04AS1V100M	ELECTRO 10UF 35WV	
D3,4			DA204U	DIODE		C409,410			CD04AS1V100M	ELECTRO 10UF 35WV	KM1
IC3			BD8222EFV	ANALOGUE IC		C421,422			CK73FB1E474K	CHIP C 0.47UF K	
IC4			TC94A70FG-010	MOS-IC		C423			CD04AS0J470M	ELECTRO 47UF 6.3WV	
IC5			S-1132B15U5T1G	ANALOGUE IC		C424			CK73GB1H103K	CHIP C 0.010UF K	
IC6			S-1132B33U5T1G	ANALOGUE IC		C431			CK73FB1E474K	CHIP C 0.47UF K	KM1
IC11			XC6218S152MR	MOS-IC		C432			CD04AS0J470M	ELECTRO 47UF 6.3WV	KM1
Q1			2SB0970	TRANSISTOR		C433			CK73FB1E474K	CHIP C 0.47UF K	KM1
Q13			DTC114YUA	DIGITAL TRANSISTOR		C443			CK73GB1H103K	CHIP C 0.010UF K	KM1
ELECTRIC UNIT (X34-597x-xx)											
C1			C90-6746-05	ELECTRO 3300UF 16WV		C445,446			CK73GB1A105K	CHIP C 1.0UF K	
C11			CK73GB1H102K	CHIP C 1000PF K		C451,452			CK73GB1A105K	CHIP C 1.0UF K	
C13			CD04AY1A221M	ELECTRO 220UF 10WV		C455,456			CK73GB1A105K	CHIP C 1.0UF K	
C20,21			C90-6851-05	ELECTRO 220UF 25WV		C459,460			CK73GB1A105K	CHIP C 1.0UF K	
C23			CD04BA1C100M	ELECTRO 10UF 16WV		C463			CK73GB1A105K	CHIP C 1.0UF K	
C24			CD04AJ1C101M	ELECTRO 100UF 16WV		C464			CD04AS1H2R2M	ELECTRO 2.2UF 50WV	
C25,26			CK73GB1A105K	CHIP C 1.0UF K		C465,466			CK73GB1A105K	CHIP C 1.0UF K	
C27			CD04BA1C100M	ELECTRO 10UF 16WV		C467			CK73GB1H103K	CHIP C 0.010UF K	
C31			CK73GB1C104K	CHIP C 0.10UF K		C468			CD04AS1V100M	ELECTRO 10UF 35WV	
C32			CD04AY1C220M	ELECTRO 22UF 16WV		C469			CD04AS1C470M	ELECTRO 47UF 16WV	
C43			CD04AT1C100M	ELECTRO 10UF 16WV		C470,471			CK73GB1A474K	CHIP C 0.47UF K	
C51			CD04BA1C100M	ELECTRO 10UF 16WV		C473,474			CK73GB1A105K	CHIP C 1.0UF K	
C54			CK73EB1C106K	CHIP C 10UF K		C505			CK73GB1A105K	CHIP C 1.0UF K	
C55			CK73GB1C104K	CHIP C 0.10UF K		C508			CD04BA1E330M	ELECTRO 33UF 25WV	
C61			CK73GB1C104K	CHIP C 0.10UF K		C516			CK73GB1A105K	CHIP C 1.0UF K	
C62			CK73GB1H152K	CHIP C 1500PF K		C517-520			CK73GB1C224K	CHIP C 0.22UF K	
C63			CK73GB1A474K	CHIP C 0.47UF K		C521			CK73FB1C105K	CHIP C 1.0UF K	
C64			CK73FB0J106K	CHIP C 10UF K		C601			CC73GCH1H220J	CHIP C 22PF J	
C71,72			CK73GB1C104K	CHIP C 0.10UF K		C602			CC73GCH1H180J	CHIP C 18PF J	
C74			CK73FB1C105K	CHIP C 1.0UF K		C603			CK73GB1C104K	CHIP C 0.10UF K	
C75			CK73GB1H103K	CHIP C 0.010UF K		C604,605			CK73GB1H103K	CHIP C 0.010UF K	
C76			C93-1457-05	CHIP C 1.0UF K		C607,608			CK73GB1H103K	CHIP C 0.010UF K	
C77,78			C93-0059-05	CERAMIC 1UF K		C612			CK73GB1H103K	CHIP C 0.010UF K	
C79			C93-1457-05	CHIP C 1.0UF K		C613			CK73GB1H102K	CHIP C 1000PF K	
C121			CK73GB1H103K	CHIP C 0.010UF K		C614			CK73GB1H103K	CHIP C 0.010UF K	
C141			CD04AS1H3R3M	ELECTRO 3.3UF 50WV		C616-620			CK73GB1H103K	CHIP C 0.010UF K	
C142			CK73GB1A105K	CHIP C 1.0UF K		C621			CC73GCH1H101J	CHIP C 100PF J	
C143			CK73GB1H104K	CHIP C 0.10UF K		C701			CK73GB1H103K	CHIP C 0.010UF K	
C151			CK73GB1H103K	CHIP C 0.010UF K		C702			CC73GCH1H220J	CHIP C 22PF J	
C152			CK73GB1H223K	CHIP C 0.022UF K		C703			CC73GCH1H180J	CHIP C 18PF J	
C153			CK73GB1A105K	CHIP C 1.0UF K		C704-706			CK73GB1H103K	CHIP C 0.010UF K	
C201			CK73GB1A105K	CHIP C 1.0UF K		C708-710			CK73GB1H103K	CHIP C 0.010UF K	
C211,212			CK73GB1C104K	CHIP C 0.10UF K		C711,712			CC73GCH1H150J	CHIP C 15PF J	
C213			CD04BF1C221M	ELECTRO 220UF 16WV		C713,714			CK73GB1H103K	CHIP C 0.010UF K	
C301,302			CC73GCH1H180J	CHIP C 18PF J	E1E2	C715			CK73GB1A105K	CHIP C 1.0UF K	
C303			CK73GB1H103K	CHIP C 0.010UF K	E1E2	C716,717			CK73FB0J106K	CHIP C 10UF K	
C307			CK73FB1A225K	CHIP C 2.2UF K	E1E2	C718			CK73GB1A105K	CHIP C 1.0UF K	
C308			CC73GCH1H271J	CHIP C 270PF J	E1E2	C750,751			CC73GCH1H040C	CHIP C 4.0PF C	
C321-324			CK73GB1H103K	CHIP C 0.010UF K		C752			CK73GB0J475K	CHIP C 4.7UF K	
C331-334			CK73EB1A475K	CHIP C 4.7UF K		C753			CK73GB1H103K	CHIP C 0.010UF K	
C335			CK73GB1H103K	CHIP C 0.010UF K		C900,901			CC73GCH1H561J	CHIP C 560PF J	
C336			CD04AS1V100M	ELECTRO 10UF 35WV		C902,903			CC73GCH1H220J	CHIP C 22PF J	
						C904,905			CK73GB1H102K	CHIP C 1000PF K	
						C906,907			CC73GCH1H681J	CHIP C 680PF J	

E1 : KDC-BT8041U E2 : KDC-BT8141UY (Europe)
K : KDC-BT838U (North America) M1 : KDC-BT7539U (Other Areas)

△ Indicates safety critical components.

PARTS LIST

ELECTRIC UNIT (X34-597x-xx)

Ref. No.	Add	New	Parts No.	Description	Destination
C908,909			CK73GB1H222K	CHIP C 2200PF K	
C965			CK73FB0J106K	CHIP C 10UF K	
C968			CK73GB1C104K	CHIP C 0.10UF K	
C969-972			CK73GB1A105K	CHIP C 1.0UF K	
C973,974			CC73GCH1H220J	CHIP C 22PF J	
C975			CK73EB0J226K	CHIP C 22UF K	
C976			CK73GB1C104K	CHIP C 0.10UF K	
C977			CK73GB1A105K	CHIP C 1.0UF K	
C978,979			CD04BK1A221M	ELECTRO 220UF 10WV	
C981			CK73FB0J106K	CHIP C 10UF K	
CN161			E41-1702-05	PIN ASSY	E1
CN201			E41-1701-05	PIN ASSY	
CN701			E41-2630-05	FLAT CABLE CONNECTOR	
CN901			E41-2956-05	SOCKET FOR PIN ASSY	
CN902			E41-2957-05	SOCKET FOR PIN ASSY	
CN962			E41-1699-05	PIN ASSY	
△ J1			E58-1003-05	RECTANGULAR RECEPTACLE	
J401			E63-0953-05	PIN JACK	KM1
J401			E63-0954-05	PIN JACK	E1E2
J421			E11-0625-05	PHONE JACK (LGY6502-0900)	
J431			E56-0855-05	CYLINDRICAL RECEPTACLE	KM1
J681			E58-1060-15	RECTANGULAR RECEPTACLE	
J682			E04-0433-05	RF COAXIAL CABLE RECEPTACLE	
W321			E30-6803-05	CORD WITH PLUG (FM/AM ANT)	
WH151			E30-6822-05	WIRING HARNESS	KE2M1
△ L1			L33-2436-05	CHOKE COIL ASSY	
L61			L33-2453-05	SMALL FIXED INDUCTOR	
L71			L92-0639-05	CHIP FERRITE	
L72			L33-2288-05	SMALL FIXED INDUCTOR	
L73			L92-0639-05	CHIP FERRITE	
L321-323			L41-4795-33	SMALL FIXED INDUCTOR (4.7U)	
L601			L41-4795-33	SMALL FIXED INDUCTOR (4.7U)	
L962			L92-0373-05	CHIP FERRITE	
X301			L77-2002-05	CRYSTAL RESONATOR	E1E2
X601		*	L77-2921-15	CRYSTAL RESONATOR (32.768KHZ, 1	
X602			L78-0872-05	RESONATOR (12MHZ)	
X700		*	L77-2921-15	CRYSTAL RESONATOR (32.768KHZ, 1	
X701			L77-2964-05	CRYSTAL RESONATOR (9.00MHZ)	
X750		*	L77-2921-15	CRYSTAL RESONATOR (32.768KHZ, 1	
G	2D		N83-3005-48	PAN HEAD TAPTITE SCREW	
H	2D		N83-3016-48	PAN HEAD TAPTITE SCREW	
J	2D		N86-2606-48	BINDING HEAD TAPTITE SCREW	
L	2D		N80-3008-48	PAN HEAD TAPTITE SCREW	
M	2D		N83-3010-43	PAN HEAD TAPTITE SCREW	
CP603			RK74HB1J101J	CHIP-COM 100 J 1/16W	
CP604			RK74GA1J101J	CHIP-COM 100 J 1/16W	
CP606			RK74HB1J101J	CHIP-COM 100 J 1/16W	E1
CP607			RK74GA1J472J	CHIP-COM 4.7K J 1/16W	
CP608			RK74GA1J101J	CHIP-COM 100 J 1/16W	
CP609			RK74HB1J101J	CHIP-COM 100 J 1/16W	KM1
CP610			RK74GA1J101J	CHIP-COM 100 J 1/16W	KM1
CP612			RK74GA1J101J	CHIP-COM 100 J 1/16W	
CP615			RK74GA1J101J	CHIP-COM 100 J 1/16W	
R1,2			RK73EB2E103J	CHIP R 10K J 1/4W	

Ref. No.	Add	New	Parts No.	Description	Destination
R11			RK73FB2B221J	CHIP R 220 J 1/8W	
R12			RK73GH2A243D	CHIP R 24K D 1/10W	
R13			RK73GH2A432D	CHIP R 4.3K D 1/10W	
R21			RK73FB2B123J	CHIP R 12K J 1/8W	
R22			RK73GB2A223J	CHIP R 22K J 1/10W	
R23			RK73FB2B822J	CHIP R 8.2K J 1/8W	
R31			RK73FB2B152J	CHIP R 1.5K J 1/8W	
R41			RK73FB2B182J	CHIP R 1.8K J 1/8W	
R42			RK73GB2A473J	CHIP R 47K J 1/10W	
R51			RK73EB2E361J	CHIP R 360 J 1/4W	
R52			RK73GB2A473J	CHIP R 47K J 1/10W	
R61			RK73GH2A123D	CHIP R 12K D 1/10W	
R62			RK73GB2A103J	CHIP R 10K J 1/10W	
R63			RK73GH2A333D	CHIP R 33K D 1/10W	
R64			RK73GH2A104D	CHIP R 100K D 1/10W	
R71			RK73PB2H1R0J	CHIP R 1.0 J 1/2W	
R74			RK73FB2B182J	CHIP R 1.8K J 1/8W	
R75			RK73PB2H1R0J	CHIP R 1.0 J 1/2W	
R76			RK73GB2A473J	CHIP R 47K J 1/10W	
R77			RK73GH2A434D	CHIP R 430K D 1/10W	
R78			RK73GH2A103D	CHIP R 10K D 1/10W	
R79			RK73GB2A1R0J	CHIP R 1.0 J 1/10W	
R81			RK73GB2A223J	CHIP R 22K J 1/10W	
R82			RK73GB2A473J	CHIP R 47K J 1/10W	
R83			RK73EB2E333J	CHIP R 33K J 1/4W	
R84			RK73GB2A473J	CHIP R 47K J 1/10W	
R121			RK73FB2B203J	CHIP R 20K J 1/8W	
R122,123			RK73GB2A103J	CHIP R 10K J 1/10W	
R124			RK73FB2B683J	CHIP R 68K J 1/8W	
R125			RK73GB2A473J	CHIP R 47K J 1/10W	
R126			RK73GB2A104J	CHIP R 100K J 1/10W	
R127			RK73EB2E102J	CHIP R 1.0K J 1/4W	
R128			RK73EB2E473J	CHIP R 47K J 1/4W	
R129			RK73GB2A183J	CHIP R 18K J 1/10W	
R134,135			RK73EB2E102J	CHIP R 1.0K J 1/4W	
R141			RK73FB2B472J	CHIP R 4.7K J 1/8W	
R142			RK73PB2H561J	CHIP R 560 J 1/2W	
R143			RK73GB2A223J	CHIP R 22K J 1/10W	
R144			RK73PB2H561J	CHIP R 560 J 1/2W	
R145			RK73FB2B472J	CHIP R 4.7K J 1/8W	
R146,147			RK73PB2H221J	CHIP R 220 J 1/2W	KM1
R148			RK73GB2A223J	CHIP R 22K J 1/10W	KM1
R149,150			RK73PB2H561J	CHIP R 560 J 1/2W	
R151			RK73GB2A104J	CHIP R 100K J 1/10W	
R152			RK73GB2A473J	CHIP R 47K J 1/10W	
R153			RK73GB2A104J	CHIP R 100K J 1/10W	
R156			RK73GB2A000J	CHIP R 0.0 J 1/10W	E1E2
R161			RK73EB2E102J	CHIP R 1.0K J 1/4W	
R162-164			RK73EB2E471J	CHIP R 470 J 1/4W	E1
R211			RK73GB2A101J	CHIP R 100 J 1/10W	
R213			RK73GB2A223J	CHIP R 22K J 1/10W	
R301-303			RK73GB2A222J	CHIP R 2.2K J 1/10W	E1E2
R304			RK73GB2A102J	CHIP R 1.0K J 1/10W	E1E2
R307			RK73GB2A104J	CHIP R 100K J 1/10W	E1E2
R308			RK73GB2A222J	CHIP R 2.2K J 1/10W	E1E2

E1 : KDC-BT8041U E2 : KDC-BT8141UY (Europe)
K : KDC-BT838U (North America) M1 : KDC-BT7539U (Other Areas)

△ Indicates safety critical components.

PARTS LIST

ELECTRIC UNIT (X34-597x-xx)

Ref. No.	Add	New	Parts No.	Description	Destination	Ref. No.	Add	New	Parts No.	Description	Destination
R321			RK73GB2A223J	CHIP R 22K J 1/10W		R618			RK73GB2A472J	CHIP R 4.7K J 1/10W	
R322			RK73FB2B821J	CHIP R 820 J 1/8W		R619			RK73GB2A222J	CHIP R 2.2K J 1/10W	
R323,324			RK73GB2A471J	CHIP R 470 J 1/10W		R621,622			RK73GB2A473J	CHIP R 47K J 1/10W	
R331,332			RK73GB2A334J	CHIP R 330K J 1/10W		R623			RK73GB2A104J	CHIP R 100K J 1/10W	
R333			RK73GB2A473J	CHIP R 47K J 1/10W		R624			RK73GB2A471J	CHIP R 470 J 1/10W	
R334			RK73GB2A333J	CHIP R 33K J 1/10W		R625,626			RK73GB2A104J	CHIP R 100K J 1/10W	
R335			RK73GB2A473J	CHIP R 47K J 1/10W		R627			RK73GB2A471J	CHIP R 470 J 1/10W	
R336			RK73GB2A821J	CHIP R 820 J 1/10W		R628,629			RK73GB2A473J	CHIP R 47K J 1/10W	
R337			RK73GB2A104J	CHIP R 100K J 1/10W		R630			RK73GB2A472J	CHIP R 4.7K J 1/10W	
R338			RK73GB2A102J	CHIP R 1.0K J 1/10W		R631			RK73GB2A101J	CHIP R 100 J 1/10W	
R339			RK73GB2A473J	CHIP R 47K J 1/10W		R632,633			RK73GB2A104J	CHIP R 100K J 1/10W	
R340,341			RK73GB2A103J	CHIP R 10K J 1/10W		R634			RK73GB2A101J	CHIP R 100 J 1/10W	
R342			RK73EB2E101J	CHIP R 100 J 1/4W		R635			RK73GB2A473J	CHIP R 47K J 1/10W	
R343,344			RK73EB2E102J	CHIP R 1.0K J 1/4W		R636			RK73GB2A102J	CHIP R 1.0K J 1/10W	
R401,402			RK73GB2A331J	CHIP R 330 J 1/10W		R637			RK73GB2A473J	CHIP R 47K J 1/10W	
R403,404			RK73GB2A223J	CHIP R 22K J 1/10W		R639			RK73GB2A101J	CHIP R 100 J 1/10W	
R405,406			RK73FB2B181J	CHIP R 180 J 1/8W		R641			RK73GB2A101J	CHIP R 100 J 1/10W	
R407,408			RK73GB2A331J	CHIP R 330 J 1/10W		R642			RK73GB2A223J	CHIP R 22K J 1/10W	KM1
R409,410			RK73GB2A223J	CHIP R 22K J 1/10W		R642			RK73GB2A473J	CHIP R 47K J 1/10W	E2
R411,412			RK73FB2B181J	CHIP R 180 J 1/8W		R643			RK73GB2A473J	CHIP R 47K J 1/10W	M1
R413,414			RK73GB2A331J	CHIP R 330 J 1/10W	KM1	R643,644			RK73GB2A223J	CHIP R 22K J 1/10W	E1E2
R415,416			RK73GB2A223J	CHIP R 22K J 1/10W	KM1	R644			RK73GB2A223J	CHIP R 22K J 1/10W	KM1
R417,418			RK73FB2B181J	CHIP R 180 J 1/8W	KM1	R647			RK73GB2A104J	CHIP R 100K J 1/10W	
R421,422			RK73EB2E100J	CHIP R 10 J 1/4W		R648			RK73GB2A223J	CHIP R 22K J 1/10W	
R423,424			RK73GB2A123J	CHIP R 12K J 1/10W		R650			RK73GB2A104J	CHIP R 100K J 1/10W	
R425			RK73EB2E4R7J	CHIP R 4.7 J 1/4W		R651			RK73EB2E102J	CHIP R 1.0K J 1/4W	
R426			RK73GB2A102J	CHIP R 1.0K J 1/10W		R652			RK73GB2A102J	CHIP R 1.0K J 1/10W	
R431-435			RK73EB2E432J	CHIP R 4.3K J 1/4W	KM1	R653			RK73GB2A473J	CHIP R 47K J 1/10W	
R436			RK73EB2E101J	CHIP R 100 J 1/4W	KM1	R654			RK73EB2E102J	CHIP R 1.0K J 1/4W	
R437			RK73EB2E100J	CHIP R 10 J 1/4W	KM1	R655			RK73GB2A222J	CHIP R 2.2K J 1/10W	
R438			RK73EB2E4R7J	CHIP R 4.7 J 1/4W	KM1	R656			RK73GB2A104J	CHIP R 100K J 1/10W	KM1
R439			RK73EB2E100J	CHIP R 10 J 1/4W	KM1	R658			RK73GB2A101J	CHIP R 100 J 1/10W	KM1
R440			RK73EB2E432J	CHIP R 4.3K J 1/4W	KM1	R659			RK73GB2A104J	CHIP R 100K J 1/10W	KM1
R441			RK73EB2E101J	CHIP R 100 J 1/4W	KM1	R660,661			RK73GB2A473J	CHIP R 47K J 1/10W	KM1
R453,454			RK73GB2A103J	CHIP R 10K J 1/10W		R662			RK73GB2A2R2J	CHIP R 2.2 J 1/10W	
R455			RK73EB2E2R2J	CHIP R 2.2 J 1/4W		R663			RK73EB2E101J	CHIP R 100 J 1/4W	
R503			RK73GB2A000J	CHIP R 0.0 J 1/10W		R664			RK73GB2A472J	CHIP R 4.7K J 1/10W	
R505			RK73GB2A163J	CHIP R 16K J 1/10W		R665			RK73GB2A473J	CHIP R 47K J 1/10W	
R507			RK73GB2A432J	CHIP R 4.3K J 1/10W		R666			RK73GB2A101J	CHIP R 100 J 1/10W	
R508			RK73GB2A100J	CHIP R 10 J 1/10W		R667			RK73GB2A223J	CHIP R 22K J 1/10W	
R510			RK73GB2A223J	CHIP R 22K J 1/10W		R668			RK73GB2A101J	CHIP R 100 J 1/10W	
R512			RK73GB2A333J	CHIP R 33K J 1/10W		R670			RK73GB2A101J	CHIP R 100 J 1/10W	
R514			RK73GB2A221J	CHIP R 220 J 1/10W		R671			RK73GB2A223J	CHIP R 22K J 1/10W	
R601			RK73GB2A222J	CHIP R 2.2K J 1/10W		R672			RK73GB2A101J	CHIP R 100 J 1/10W	
R602			RK73GB2A473J	CHIP R 47K J 1/10W		R673			RK73GB2A223J	CHIP R 22K J 1/10W	
R604			RK73GB2A473J	CHIP R 47K J 1/10W		R674			RK73GB2A101J	CHIP R 100 J 1/10W	
R605,606			RK73GB2A103J	CHIP R 10K J 1/10W		R684,685			RK73EB2E102J	CHIP R 1.0K J 1/4W	
R607			RK73GB2A104J	CHIP R 100K J 1/10W		R686-689			RK73EB2E101J	CHIP R 100 J 1/4W	
R608			RK73GB2A102J	CHIP R 1.0K J 1/10W		R690			RK73EB2E102J	CHIP R 1.0K J 1/4W	
R610			RK73GB2A473J	CHIP R 47K J 1/10W		R691			RK73GB2A223J	CHIP R 22K J 1/10W	
R612			RK73GB2A104J	CHIP R 100K J 1/10W	E1E2	R692			RK73FB2B822J	CHIP R 8.2K J 1/8W	
R613			RK73GB2A473J	CHIP R 47K J 1/10W		R696			RK73GB2A101J	CHIP R 100 J 1/10W	
R614,615			RK73GB2A102J	CHIP R 1.0K J 1/10W		R697			RK73GB2A223J	CHIP R 22K J 1/10W	
R616			RK73GB2A223J	CHIP R 22K J 1/10W	E1E2	R699			RK73GB2A223J	CHIP R 22K J 1/10W	
R617			RK73GB2A102J	CHIP R 1.0K J 1/10W		R700			RK73GB2A102J	CHIP R 1.0K J 1/10W	

E1 : KDC-BT8041U E2 : KDC-BT8141UY (Europe)
K : KDC-BT838U (North America) M1 : KDC-BT7539U (Other Areas)

△ Indicates safety critical components.

PARTS LIST

ELECTRIC UNIT (X34-597x-xx)

Ref. No.	Added	New	Parts No.	Description	Destination
R701			RK73GB2A101J	CHIP R 100 J 1/10W	
R704			RK73GB2A223J	CHIP R 22K J 1/10W	
R705			RK73GB2A101J	CHIP R 100 J 1/10W	
R706			RK73GB2A223J	CHIP R 22K J 1/10W	
R707			RK73GB2A104J	CHIP R 100K J 1/10W	
R708			RK73GB2A101J	CHIP R 100 J 1/10W	
R709,710			RK73GB2A102J	CHIP R 1.0K J 1/10W	
R711			RK73GB2A223J	CHIP R 22K J 1/10W	
R713			RK73GB2A101J	CHIP R 100 J 1/10W	
R714			RK73GB2A223J	CHIP R 22K J 1/10W	
R715			RK73GB2A102J	CHIP R 1.0K J 1/10W	
R716			RK73GB2A101J	CHIP R 100 J 1/10W	
R717			RK73GB2A102J	CHIP R 1.0K J 1/10W	
R718,719			RK73GB2A101J	CHIP R 100 J 1/10W	
R720			RK73GB2A223J	CHIP R 22K J 1/10W	
R721,722			RK73GB2A101J	CHIP R 100 J 1/10W	
R723			RK73GB2A223J	CHIP R 22K J 1/10W	
R724			RK73GB2A101J	CHIP R 100 J 1/10W	
R725			RK73GB2A472J	CHIP R 4.7K J 1/10W	
R726			RK73GB2A000J	CHIP R 0.0 J 1/10W	
R727			RK73GB2A105J	CHIP R 1.0M J 1/10W	
R728			RK73GB2A223J	CHIP R 22K J 1/10W	
R729			RK73GB2A330J	CHIP R 33 J 1/10W	
R730			RK73GB2A153J	CHIP R 15K J 1/10W	
R731			RK73GB2A330J	CHIP R 33 J 1/10W	
R732			RK73GB2A153J	CHIP R 15K J 1/10W	
R733			RK73GB2A472J	CHIP R 4.7K J 1/10W	
R734-737			RK73GB2A101J	CHIP R 100 J 1/10W	
R738			RK73GB2A223J	CHIP R 22K J 1/10W	
R739,740			RK73GB2A101J	CHIP R 100 J 1/10W	
R741			RK73GB2A332J	CHIP R 3.3K J 1/10W	
R742			RK73GB2A101J	CHIP R 100 J 1/10W	
R743			RK73GB2A332J	CHIP R 3.3K J 1/10W	
R744-746			RK73GB2A101J	CHIP R 100 J 1/10W	
R747			RK73GB2A223J	CHIP R 22K J 1/10W	
R750			RK73GB2A515J	CHIP R 5.1M J 1/10W	
R751			RK73GB2A473J	CHIP R 47K J 1/10W	
R752,753			RK73GB2A101J	CHIP R 100 J 1/10W	
R754,755			RK73GB2A473J	CHIP R 47K J 1/10W	
R756			RK73GB2A101J	CHIP R 100 J 1/10W	
R757			RK73GB2A473J	CHIP R 47K J 1/10W	
R758			RK73GH2A104D	CHIP R 100K D 1/10W	
R762-764			RK73GB2A473J	CHIP R 47K J 1/10W	
R765,766			RK73GB2A101J	CHIP R 100 J 1/10W	
R767			RK73GB2A223J	CHIP R 22K J 1/10W	
R768			RK73GB2A222J	CHIP R 2.2K J 1/10W	
R769			RK73FB2B2R2J	CHIP R 2.2 J 1/8W	
R781			RK73GB2A000J	CHIP R 0.0 J 1/10W	
R900-903			RK73GB2A103J	CHIP R 10K J 1/10W	
R904-907			RK73GB2A472J	CHIP R 4.7K J 1/10W	
R908,909			RK73GB2A102J	CHIP R 1.0K J 1/10W	
R910,911			RK73GB2A222J	CHIP R 2.2K J 1/10W	
R912,913			R92-3418-05	CHIP R 0.47 J 1/2W	
R960			RK73GB2A472J	CHIP R 4.7K J 1/10W	
R961			RK73GB2A473J	CHIP R 47K J 1/10W	

Ref. No.	Added	New	Parts No.	Description	Destination
R963,964			RK73GB2A331J	CHIP R 330 J 1/10W	
R965			RK73GB2A473J	CHIP R 47K J 1/10W	
R969-972			RK73GB2A223J	CHIP R 22K J 1/10W	
R973-976			RK73GB2A104J	CHIP R 100K J 1/10W	
R977,978			RK73EB2E101J	CHIP R 100 J 1/4W	
R982			RK73GB2A2R2J	CHIP R 2.2 J 1/10W	
R983			RK73GB2A102J	CHIP R 1.0K J 1/10W	
R984			RK73GB2A123J	CHIP R 12K J 1/10W	
R985			RK73GB2A223J	CHIP R 22K J 1/10W	
W402			R92-2052-05	CHIP R 0 OHM J 1/10W	
L964			T90-0587-05	CHIP ANTENNA	
D1			S2V60-5009F46	DIODE	
D21			D1FJ4	DIODE	
D22			UDZW5.6(B)	ZENER DIODE	
D31			UDZW8.2(B)	ZENER DIODE	
D41			UDZW10(B)	ZENER DIODE	
D42			DAP202U	DIODE	
D51			UDZW15(B)	ZENER DIODE	
D61			EC31QS04AG	DIODE	KM1
D61			RB081L-20	DIODE	E1E2
D71-73			D1FJ4	DIODE	
D74			UDZW9.1(B)	ZENER DIODE	
D75			DAP202U	DIODE	
D121			UDZW6.8(B)	ZENER DIODE	
D123			UDZW6.8(B)	ZENER DIODE	
D124			UDZW6.2(B)	ZENER DIODE	
D141,142			D1F60-5063	DIODE	
D143			DAP202U	DIODE	
D144,145			D1F60-5063	DIODE	
D151			UDZW4.7(B)	ZENER DIODE	
D161			UDZW6.2(B)	ZENER DIODE	KE2M1
D161-164			UDZW6.2(B)	ZENER DIODE	E1
D201,202			AVRL1613R3FTA	VARIATOR	
D331			DA204U	DIODE	
D401,402			DAP202U	DIODE	
D421-423			UDZW6.8(B)	ZENER DIODE	
D431-433			UDZW6.8(B)	ZENER DIODE	KM1
D434			UDZW6.2(B)	ZENER DIODE	KM1
D439			UDZW6.2(B)	ZENER DIODE	KM1
D453-455			DAP202U	DIODE	
D501,502			DAP202U	DIODE	
D611			DA204K	DIODE	
D971,972			UDZW4.7(B)	ZENER DIODE	
D973			UDZW6.2(B)	ZENER DIODE	
IC11			M5237ML-CF0J	ANALOGUE IC	
IC21			R1114N331B-TR	ANALOGUE IC (3.3V LF)	
IC61			LT3684EMSE	ANALOGUE IC	
IC71			LT3467A	ANALOGUE IC	
IC211			STMP52151STR	MOS-IC	
IC301			E-TDA7478AD	ANALOGUE IC	E1E2
IC331			NJM4565V-ZB	ANALOGUE IC	
IC451			E-TDA7415CB	ANALOGUE IC	
IC501			E-TDA7850A	ANALOGUE IC	
IC601		*	30626FHP3A7GP	MICROCONTROLLER IC	

E1 : KDC-BT8041U E2 : KDC-BT8141UY (Europe)
K : KDC-BT838U (North America) M1 : KDC-BT7539U (Other Areas)

△Indicates safety critical components.

PARTS LIST

ELECTRIC UNIT (X34-597x-xx)

Ref. No.	Add	New	Parts No.	Description	Destination
IC602			XC6120N362N1	MOS-IC	
IC604			74HC2G02DP	MOS-IC	
IC605			74AHCT08PW	MOS-IC	
IC607			74LVC08APW	MOS-IC	
IC608			BR24L04FV-W	ROM IC	
IC700			92CD28AFG6V1	MICROCONTROLLER IC	
IC750			341S2094	MICROPROCESSOR IC	
IC751			BR24L04FV-W	ROM IC	
IC964			NJM4565V-ZB	ANALOGUE IC	
IC965			SI-3033KMS	ANALOGUE IC	
Q11			KTA1046-P	TRANSISTOR	
Q12			DTA124EUA	DIGITAL TRANSISTOR	
Q13			DTC124EUA	DIGITAL TRANSISTOR	
Q21			KTA1046-P	TRANSISTOR	
Q22			2SC4081	TRANSISTOR	
Q23			2SA1577	TRANSISTOR	
Q24			DTC124EUA	DIGITAL TRANSISTOR	
Q31			KTA1046-P	TRANSISTOR	
Q32			2SC4081	TRANSISTOR	
Q33			DTA124EUA	DIGITAL TRANSISTOR	
Q34			DTC124EUA	DIGITAL TRANSISTOR	
Q41			KTA1046-P	TRANSISTOR	
Q42			2SC4081	TRANSISTOR	
Q43			DTA124EUA	DIGITAL TRANSISTOR	
Q44			DTC124EUA	DIGITAL TRANSISTOR	
Q51			KTA1046-P	TRANSISTOR	
Q52			2SC4081	TRANSISTOR	
Q71			2SB1184	TRANSISTOR	
Q72			2SC4081	TRANSISTOR	
Q81			2SC2713-F	TRANSISTOR	
Q82			2SB1260	TRANSISTOR	
Q121-123			2SC4081	TRANSISTOR	
Q141			2SB1188(Q,R)	TRANSISTOR	
Q142			2SA1576A	TRANSISTOR	
Q143			DTA114EUA	DIGITAL TRANSISTOR	
Q144			DTC114YUA	DIGITAL TRANSISTOR	
Q145			2SB1188(Q,R)	TRANSISTOR	KM1
Q146			DTC114YUA	DIGITAL TRANSISTOR	KM1
Q151			DTC144EUA	DIGITAL TRANSISTOR	
Q321			2SA1577	TRANSISTOR	
Q322			DTC124EUA	DIGITAL TRANSISTOR	
Q331			2SC4617	TRANSISTOR	
Q401-404			DTC143TUA	DIGITAL TRANSISTOR	E1E2
Q401-406			DTC143TUA	DIGITAL TRANSISTOR	KM1
Q407,408			DTA124EUA	DIGITAL TRANSISTOR	
Q602			DTC114YUA	DIGITAL TRANSISTOR	
Q603			DTA114YUA	DIGITAL TRANSISTOR	
Q680			DTC124EUA	DIGITAL TRANSISTOR	
Q681			2SA1577	TRANSISTOR	
Q682			DTC124EUA	DIGITAL TRANSISTOR	
Q683			DTA124EUA	DIGITAL TRANSISTOR	
Q684			DTC114YUA	DIGITAL TRANSISTOR	
Q702			DTC114YUA	DIGITAL TRANSISTOR	
Q703			2SA1577	TRANSISTOR	
Q704,705			DTC114YUA	DIGITAL TRANSISTOR	

Ref. No.	Add	New	Parts No.	Description	Destination
Q900,901			2SC4081	TRANSISTOR	
TH500			PRF18BE471QS2	POSITIVE RESISTOR	
A322	2D		X86-4030-11	FRONT-END UNIT	KM1
A322	2D		X86-4032-70	FRONT-END UNIT	E1E2
CD MECHANISM ASSY (X92-6130-00) (DXM-6E20W)					
1	2B		A10-5328-31	CHASSIS	
2	1B		A10-5329-11	CHASSIS	
5	2B		D10-4910-13	ARM ASSY	
8	2A		D10-4911-23	LEVER ASSY	
10	2A		D10-4906-33	ARM	
11	2A		D10-4907-33	ARM	
12	3A		D10-4908-03	ARM	
13	3A		D10-4909-03	ARM	
14	3B		D10-4915-03	ARM	
15	2A		D10-4916-23	SLIDER	
16	3B		D10-4914-22	SLIDER	
17	2B		D10-4588-13	SLIDER	
18	2B		D10-4917-04	ARM	
19	2B		D10-4596-24	ARM	
22	2A		D13-2151-04	GEAR	
23	2B		D13-2152-04	GEAR	
24	3B		D13-2153-04	GEAR	
25	3B		D13-2154-04	GEAR	
26	3B		D13-2155-04	WORM	
27	2B		D13-2156-14	GEAR	
28	3B		D13-2157-04	GEAR	
29	2B		D13-2158-04	GEAR	
30	2B		D13-2168-04	GEAR	
31	3B		D13-2171-04	GEAR	
32	1B		D13-2400-23	RACK (GEAR)	
33	2A		D14-0759-04	ROLLER	
35	2B		D21-2382-04	SHAFT	
36	1A		D23-0954-04	RETAINER	
37	1B		D39-0271-05	DAMPER	
38	2B		G01-3072-04	EXTENSION SPRING	
39	2A		G01-3073-04	TORSION COIL SPRING	
40	2A		G01-3074-04	EXTENSION SPRING	
41	1B		G01-4615-04	EXTENSION SPRING	
42	2A		G01-3076-04	EXTENSION SPRING	
43	1B		G01-3077-14	EXTENSION SPRING	
44	2B		G02-1399-14	FLAT SPRING	
45	2B		G02-1547-14	FLAT SPRING	
51	1A		J22-0473-21	MOUNTING HARDWARE	
52	3B		J22-0474-12	MOUNTING HARDWARE	
53	1B		J22-0519-13	MOUNTING HARDWARE	
55	1A		J90-1138-41	GUIDE	
56	1B		J90-1023-03	GUIDE	
DFPC1	3A		J86-0039-05	FPC (LEAD FREE)	
A	2B		N09-4460-15	TAPTITE SCREW (PT2X8)	
B	1B		N09-6317-05	TAPTITE SCREW	
C	2B		N09-6004-15	MACHINE SCREW (M1.7X2.5)	
E	2B		N09-6007-15	MACHINE SCREW (PAN M2X2)	

E1 : KDC-BT8041U E2 : KDC-BT8141UY (Europe)
K : KDC-BT838U (North America) M1 : KDC-BT7539U (Other Areas)

△ Indicates safety critical components.

PARTS LIST

CD MECHANISM ASSY (X92-6130-00) (DXM-6E20W)

Ref. No.	A d d	N e w	Parts No.	Description	Desti- nation
F	1A		N09-6051-15	TAPTITE SCREW (BIND PT 2X5)	
G	2A		N19-2163-04	FLAT WASHER	
H	1B		N39-2020-48	FLAT WASHER (1.6X6X0.25)	
J	1B		N09-6108-15	TAPTITE SCREW (M2X3.5)	
K	3B		N09-6155-15	SEMS (TAPTITE SCREW) (PT2X6)	
DM1	3B		T42-1066-14	DC MOTOR (SPINDLE)	
DM2	2B		T42-1067-14	DC MOTOR (LOADING/SLED)	
DPU1	2B		X93-2130-01	OPTICAL PICKUP ASSY	

Ref. No.	A d d	N e w	Parts No.	Description	Desti- nation