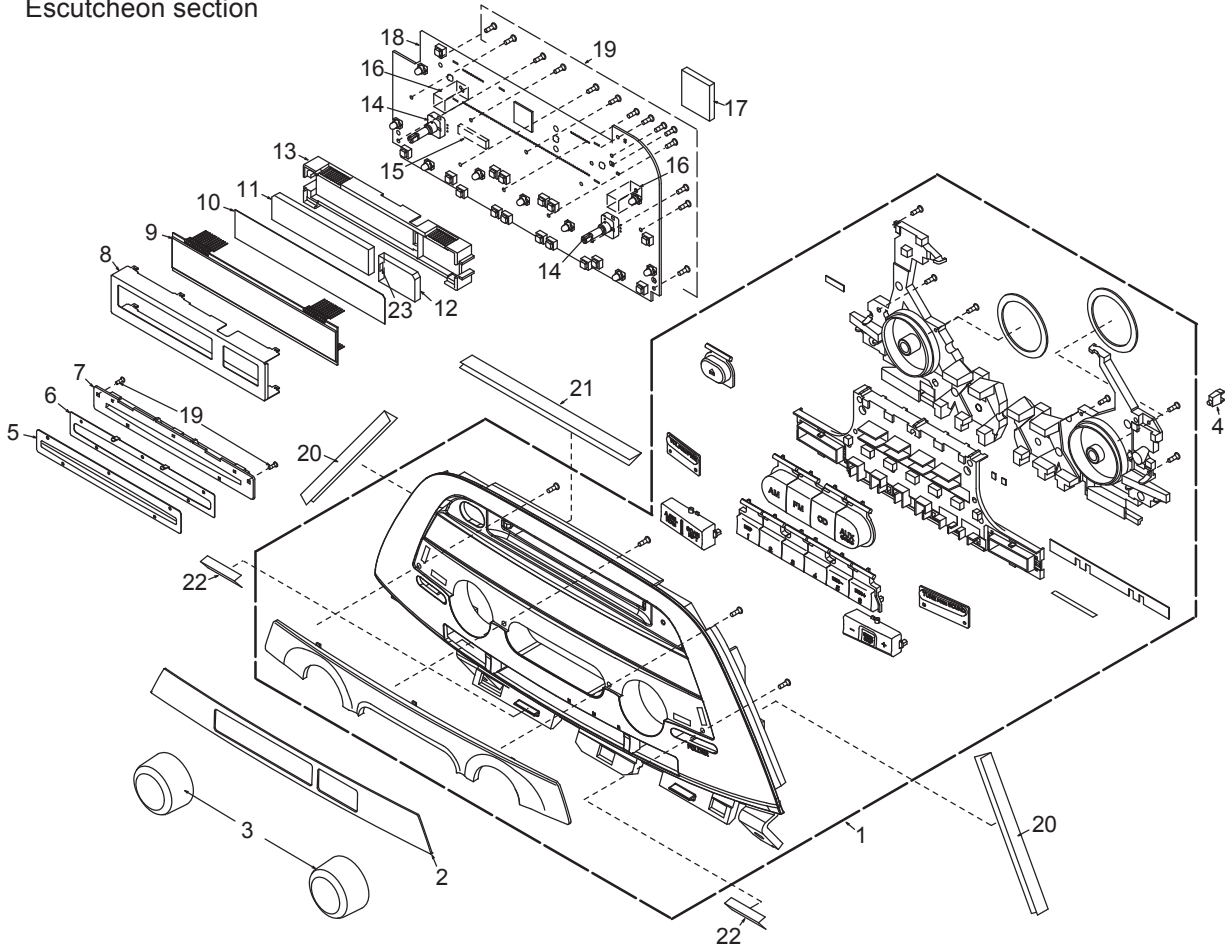


EXPLODED VIEW / PARTS LIST

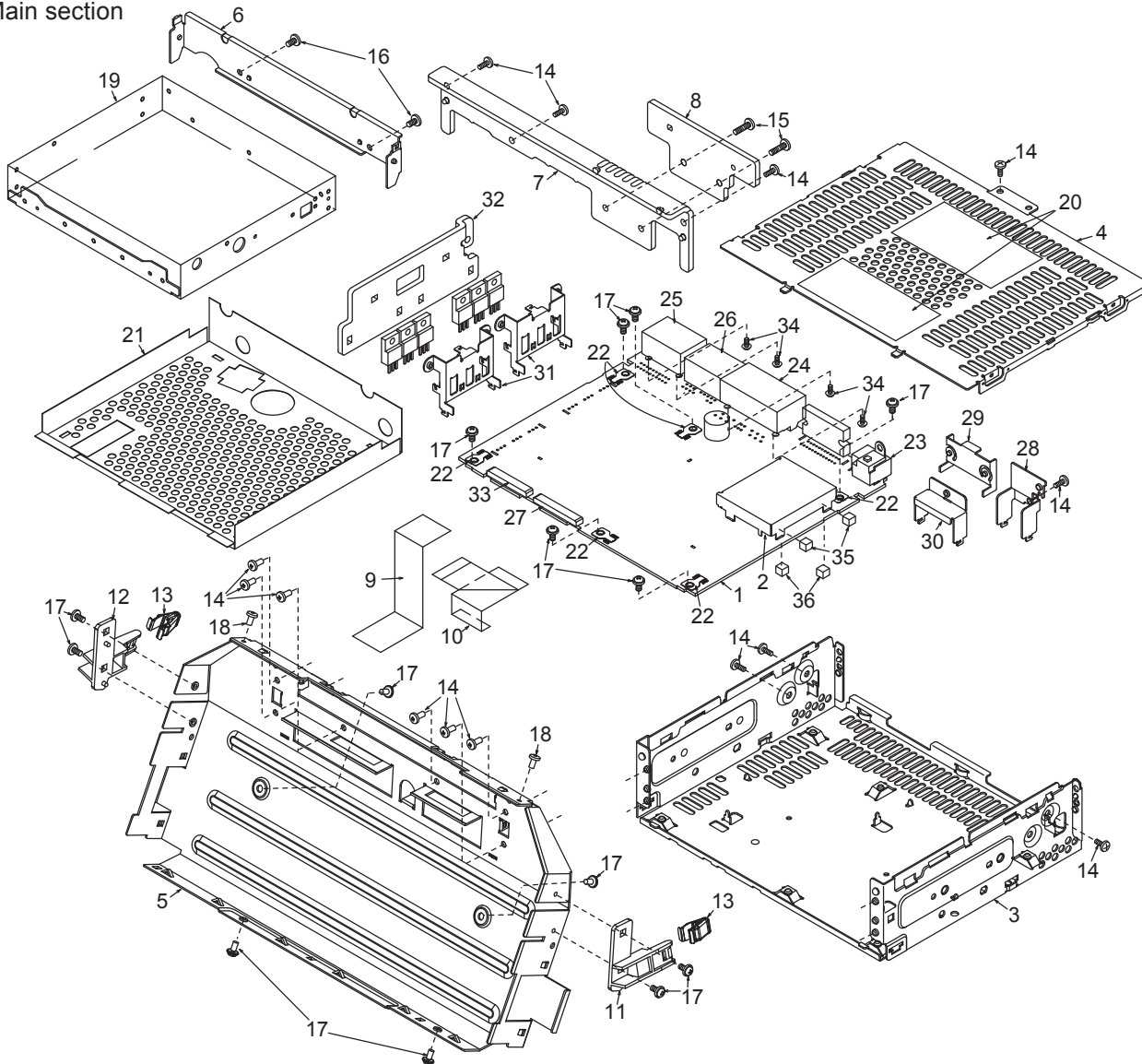
Escutcheon section



NO.	PART NO.	DESCRIPTION	Q'TY
1	940-8042-30	ESCUTCHEON-ASSY	1
2	371-5795-02	TRIM PLATE	1
3	380-5588-20	KNOB	2
4	335-7181-20	DISC INDICATOR	1
5	346-0171-00	LEATHER SHEET	1
6	331-3768-01	SHIELD PLATE	1
7	335-7180-20	DISC GUIDE	1
8	331-3767-00	LCD COVER	1
9	379-1394-32	INDICATOR	1
10	335-7320-00	COLOR FILTER	1
11	335-7318-00	LCD ILLUMI(L)	1
12	335-7319-00	LCD ILLUMI(R)	1

NO.	PART NO.	DESCRIPTION	Q'TY
13	335-7182-30	LCD HOLDER	1
14	016-0025-04	VR W/SHAFT	2
15	074-1228-76	OUTLET SOCKET	1
16	331-2708-20	PWB-SUPPORT	2
17	345-5781-00	CUSHION RUBBER	1
18	-----	SWITCH PWB	1
19	716-0778-51	SCREW(M2x6)	16
20	347-7342-20	SHADE	2
21	347-7343-20	SHADE	1
22	347-7344-00	CUSHION SHEET	2
23	347-7442-00	FILTER	1

Main section



NO.	PART NO.	DESCRIPTION	QTY
1	-----	MAIN PWB	1
2	880-2091G	TUNER PACK	1
3	311-1910-10	LOWER CASE	1
4	310-1817-02	UPPER CASE	1
5	331-3772-01	ES PLATE	1
6	331-3771-00	MECH BRKT	1
7	313-1946-00	HEAT SINK A	1
8	313-1947-00	HEAT SINK B	1
9	816-4046-50	FLAT WIRE(FOR SW)	1
10	816-4028-50	FLAT WIRE(FOR CD)	1
11	335-7184-20	CLIP HOLDER(R)	1
12	335-7185-20	CLIP HOLDER(L)	1
13	335-7317-00	CLIP	2
14	714-2606-8B	MACHINE SCREW(M2.6x6)	14
15	714-2614-8H	MACHINE SCREW(M2.6x14)	2
16	714-2603-8B	MACHINE SCREW(2.6x3)	2
17	716-0878-50	SCREW(M2.6x5)	14
18	780-2605-52	SCREW(M2.6x5 sealock coated)	2

NO.	PART NO.	DESCRIPTION	QTY
19	929-5019-80	CD-MECH-MODULE	1
20	286-6685-37	SETPLATE	1
21	347-8293-00	MECH COVER	1
22	073-0762-90	TERMINAL	6
23	092-2209-00	ANT-RECEPT(GT13)	1
24	074-4016-17	OUTLET SOCKET(17P)	1
25	074-4017-20	OUTLET SOCKET(20P)	1
26	074-1168-14	OUTLET SOCKET(GA-NET)	1
27	074-1237-79	OUTLET SOCKET(CD)	1
28	331-4065-00	ANT HOLDER	1
29	331-3459-00	IC HOLDER	1
30	331-3769-00	OUTLET HOLDER	1
31	331-4066-00	TR HOLDER	2
32	313-1948-00	SUB HEAT SINK	1
33	074-1237-76	OUTLET SOCKET(SW)	1
34	778-3005-00	TAP SCREW(3x5)	4
35	345-8581-03	GASKET	2
36	345-8720-01	GASKET	2

ELECTRICAL PARTS LIST

Switch PWB(B1) section

REF No.	PART No.	DESCRIPTION	REF No.	PART No.	DESCRIPTION	REF No.	PART No.	DESCRIPTION
C101	168-1032-55	0.01uF K	IC102	051-6642-08	LC75700T	R116	119-1511-15	1/10W 150 ohm
C102	168-1042-78	16V 0.1uF	IC103	051-7239-08	TC74VHCT08AFT-E	R117	119-1511-15	1/10W 150 ohm
C103	043-0559-90	6.3V 22uF			L	R118	116-1001-15	1/4W 10 ohm
C104	168-1042-78	16V 0.1uF	IC104	051-7239-08	TC74VHCT08AFT-E	R119	116-8291-15	1/4W 8.2 ohm
C105	168-1042-78	16V 0.1uF			L	R120	116-3601-15	1/4W 36 ohm
C106	166-1021-50	1000pF CH	J101	074-1228-76	26P	R121	119-4711-15	1/10W 470 ohm
C107	168-1042-78	16V 0.1uF	L101	010-3407-66	22uH J	R122	119-2211-15	1/10W 220 ohm
C108	166-1021-50	1000pF CH	PL101	017-0433-93	14V 40mA BLUE	R123	119-1511-15	1/10W 150 ohm
C114	166-1011-50	100pF CH	PL102	017-0433-93	14V 40mA BLUE	R124	119-2211-15	1/10W 220 ohm
C115	166-1011-50	100pF CH	PL103	017-0433-93	14V 40mA BLUE	R125	119-2211-15	1/10W 220 ohm
C116	166-1011-50	100pF CH	PL104	017-0433-93	14V 40mA BLUE	R126	119-2211-15	1/10W 220 ohm
C117	166-1011-50	100pF CH	PL105	017-0433-93	14V 40mA BLUE	R127	119-2211-15	1/10W 220 ohm
C118	166-1011-50	100pF CH	PL106	017-0433-93	14V 40mA BLUE	R128	119-1511-15	1/10W 150 ohm
C119	168-1032-55	0.01uF K	PL107	017-0433-93	14V 40mA BLUE	R129	119-2211-15	1/10W 220 ohm
C120	168-1032-55	0.01uF K	PL108	017-0433-93	14V 40mA BLUE	R130	119-1011-15	1/10W 100 ohm
D103	001-7043-97	CL-170G A,B GREEN	PL109	017-0433-93	14V 40mA BLUE	S102	013-6201-52	SKPMAP010
		N	PL110	017-0463-01	8V 105mA	S103	013-6201-52	SKPMAP010
D104	001-0516-90	MA111	PL111	017-0463-01	8V 105mA	S104	013-6201-52	SKPMAP010
D106	001-0516-90	MA111	PL112	017-0463-01	8V 105mA	S105	013-6201-52	SKPMAP010
D107	001-0516-90	MA111	Q102	192-4081-00	2SC4081	S106	013-6201-52	SKPMAP010
D108	001-0516-90	MA111	R101	116-3601-15	1/4W 36 ohm	S107	013-6201-52	SKPMAP010
D109	001-0516-90	MA111	R102	119-1031-15	1/10W 10k ohm	S108	013-6201-52	SKPMAP010
D110	001-0516-90	MA111	R103	119-2721-15	1/10W 2.7k ohm	S109	013-6201-52	SKPMAP010
D111	001-0516-90	MA111	R104	119-6821-15	1/10W 6.8k ohm	S110	013-6201-52	SKPMAP010
D112	001-0516-90	MA111	R105	119-1031-15	1/10W 10k ohm	S111	013-6201-52	SKPMAP010
D113	001-0516-90	MA111	R106	119-3911-15	1/10W 390 ohm	S112	013-6201-52	SKPMAP010
D114	001-0516-90	MA111	R107	119-3931-15	1/10W 39k ohm	S113	013-6201-52	SKPMAP010
D115	001-0516-90	MA111	R108	119-3931-15	1/10W 39k ohm	S114	013-6201-52	SKPMAP010
D116	001-0516-90	MA111	R109	119-1011-15	1/10W 100 ohm	S115	013-6201-52	SKPMAP010
D117	001-0516-90	MA111	R110	119-1511-15	1/10W 150 ohm	S116	013-6201-52	SKPMAP010
D118	001-0516-90	MA111	R111	119-1511-15	1/10W 150 ohm	VR101	016-0025-04	VR W/SHAFT
D119	001-0516-90	MA111	R112	119-1511-15	1/10W 150 ohm	VR102	016-0025-04	VR W/SHAFT
D120	001-0516-90	MA111	R114	119-4721-15	1/10W 4.7k ohm	PWB	039-3142-00	PWB(WITHOUT CO
IC101	051-6070-00	LC75813T	R115	119-1511-15	1/10W 150 ohm			MPONENTS)

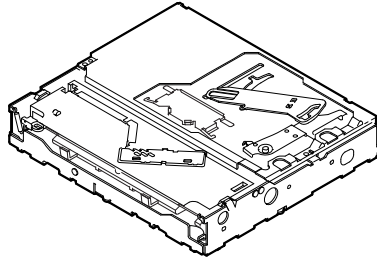
Main PWB(B2) section

REF No.	PART No.	DESCRIPTION	REF No.	PART No.	DESCRIPTION	REF No.	PART No.	DESCRIPTION
ANT101	092-2209-00	ANTENNA RECEPT	C218	168-1042-78	16V 0.1uF	C409	166-1811-50	180pF CH
BL101	880-2091G	TUNER PACK	C219	168-1042-78	16V 0.1uF	C410	165-2253-65	50V 2.2uF
C101	166-1011-50	100pF CH	C220	042-1767-90	16V 470uF	C411	165-2253-65	50V 2.2uF
C102	166-2201-50	22pF CH	C221	165-4763-15	6.3V 47uF	C412	166-1007-50	10pF CH
C103	168-1022-55	1000pF K	C222	165-4763-15	6.3V 47uF	C413	166-1007-50	10pF CH
C104	165-1073-35	16V 100uF	C223	165-1063-35	16V 10uF	C414	168-1022-55	1000pF K
C105	168-1022-55	1000pF K	C224	168-1042-78	16V 0.1uF	C415	166-1511-50	150pF CH
C106	165-1073-35	16V 100uF	C225	168-1042-78	16V 0.1uF	C416	166-1511-50	150pF CH
C107	168-1022-55	1000pF K	C226	043-0554-90	25V 10uF	C417	166-1511-50	150pF CH
C108	168-1022-55	1000pF K	C227	043-0554-90	25V 10uF	C418	166-1511-50	150pF CH
C109	168-1022-55	1000pF K	C228	165-1073-15	6.3V 100uF	C419	165-4753-55	35V 4.7uF
C110	168-1022-55	1000pF K	C231	168-1042-78	16V 0.1uF	C420	168-1042-78	16V 0.1uF
C111	168-1022-55	1000pF K	C232	168-1042-78	16V 0.1uF	C421	165-4753-55	35V 4.7uF
C112	165-1063-35	16V 10uF	C301	168-1022-55	1000pF K	C422	168-1042-78	16V 0.1uF
C113	165-4763-35	16V 47uF	C302	168-1022-55	1000pF K	C423	168-1022-55	1000pF K
C115	043-0319-51	200P	C303	168-1032-55	0.01uF K	C424	168-1022-55	1000pF K
C201	166-1007-50	10pF CH	C309	166-1011-50	100pF CH	C425	166-1011-50	100pF CH
C202	166-1007-50	10pF CH	C310	166-1011-50	100pF CH	C426	168-1042-78	16V 0.1uF
C203	168-1042-78	16V 0.1uF	C313	166-1011-50	100pF CH	C427	168-1042-78	16V 0.1uF
C204	168-1042-78	16V 0.1uF	C314	166-1011-50	100pF CH	C428	168-1042-78	16V 0.1uF
C205	168-1042-78	16V 0.1uF	C381	166-1511-50	150pF CH	C429	168-5622-55	5600pF K
C206	168-1042-78	16V 0.1uF	C382	166-1511-50	150pF CH	C430	168-5622-55	5600pF K
C207	168-1042-78	16V 0.1uF	C383	166-1511-50	150pF CH	C431	165-4753-55	35V 4.7uF
C208	168-1042-78	16V 0.1uF	C384	166-1511-50	150pF CH	C432	168-1042-78	16V 0.1uF
C209	168-1042-78	16V 0.1uF	C400	168-1022-55	1000pF K	C433	168-1042-78	16V 0.1uF
C210	168-1042-78	16V 0.1uF	C401	165-2253-65	50V 2.2uF	C434	168-2232-55	0.022uF K
C211	168-1042-78	16V 0.1uF	C402	165-2253-65	50V 2.2uF	C435	165-1073-15	6.3V 100uF
C212	043-0554-90	25V 10uF	C403	165-2253-65	50V 2.2uF	C436	168-1042-78	16V 0.1uF
C213	168-1042-78	16V 0.1uF	C404	165-2253-65	50V 2.2uF	C437	043-0504-50	10V 4.7uF
C214	168-1042-78	16V 0.1uF	C405	165-2253-65	50V 2.2uF	C438	168-4732-78	0.047uF K
C215	165-1073-15	6.3V 100uF	C406	165-2253-65	50V 2.2uF	C439	165-2263-15	6.3V 22uF
C216	168-1042-78	16V 0.1uF	C407	165-4753-55	35V 4.7uF	C440	168-1042-78	16V 0.1uF
C217	166-2211-50	220pF CH	C408	168-1042-78	16V 0.1uF	C441	168-1042-78	16V 0.1uF

REF No.	PART No.	DESCRIPTION	REF No.	PART No.	DESCRIPTION	REF No.	PART No.	DESCRIPTION
C442	168-1022-55	1000pF K	C557	178-2222-78	2200pF	D807	001-9210-50	AVR-M1608C270MT AAD
C443	168-2232-55	0.022uF K	C558	178-2222-78	2200pF	D808	001-9210-50	AVR-M1608C270MT AAD
C444	165-1063-35	16V 10uF	C559	178-2222-78	2200pF	D809	001-9210-50	AVR-M1608C270MT AAD
C445	178-1052-78	1uF	C560	178-2222-78	2200pF	D810	001-9210-50	AVR-M1608C270MT AAD
C446	168-1042-78	16V 0.1uF	C563	168-1042-38	50V 0.1uF	D901	001-0529-54	MA8110-H
C447	168-3332-78	0.033uF K	C564	165-1073-35	16V 100uF	D902	001-0529-46	MA8091-L
C448	178-1052-78	1uF	C596	166-5611-50	560pF CH	D903	001-2403-90	M1F60
C449	168-2222-55	2200pF K	C597	166-5611-50	560pF CH	D904	001-0535-90	MA729
C450	168-2222-55	2200pF K	C598	166-5611-50	560pF CH	IC201	051-6711-20	TC94A34FG-004
C451	168-2222-55	2200pF K	C599	166-5611-50	560pF CH	IC202	051-3354-90	BA33BC0WFP
C452	168-2222-55	2200pF K	C701	168-1052-78	1uF	IC203	051-3364-90	NJU7771F15
C453	168-2232-55	0.022uF K	C702	168-1032-55	0.01uF K	IC204	051-3364-90	NJU7771F15
C454	168-4712-55	470pF K	C703	168-1022-55	1000pF K	IC205	051-9318-10	GLT416L04P-60TC
C458	168-1042-78	16V 0.1uF	C704	168-1042-78	16V 0.1uF	IC301	051-6648-90	HA12240FP-EL
C459	168-1042-78	16V 0.1uF	C705	165-4753-55	35V 4.7uF	IC401	-----	SAF7730HV/N317
C460	168-2232-55	0.022uF K	C706	168-1022-55	1000pF K	IC403	051-3019-90	NJM2060V
C461	165-2263-15	6.3V 22uF	C707	168-1022-55	1000pF K	IC404	051-3354-90	BA33BC0WFP
C462	168-1042-78	16V 0.1uF	C708	168-1042-78	16V 0.1uF	IC502	051-3019-90	NJM2060V
C463	042-1767-90	16V 470uF	C709	042-1737-90	6.3V 1000uF M	IC504	051-2042-00	TA8275H
C464	168-1042-78	16V 0.1uF	C710	165-4753-55	35V 4.7uF	IC506	051-3057-90	BA4558RFV
C465	042-2273-25	10V 220uF M	C711	166-1801-50	18pF CH	IC701	051-5423-38	BD6329G-TR
C466	168-1042-78	16V 0.1uF	C712	166-8097-50	8pF C CH	IC702	051-9423-90	BR93L86REV-W E2
C472	165-2263-15	6.3V 22uF	C713	165-1063-35	16V 10uF	IC703	052-3217-10	uPD703272YGC351-8EAA
C473	165-2263-15	6.3V 22uF	C715	043-0499-51	0.1uF	IC706	051-3344-90	BD3930FP-E2
C474	165-2263-15	6.3V 22uF	C722	168-2222-55	2200pF K	IC902	051-3218-90	TA76431F
C475	165-2263-15	6.3V 22uF	C723	168-1042-78	16V 0.1uF	J101	074-4016-17	SOCKET 17P
C477	166-5611-50	560pF CH	C724	166-1221-50	1200pF CH	J201	074-1237-79	SOCKET(29P)
C478	166-5611-50	560pF CH	C725	042-1737-90	6.3V 1000uF M	J301	074-1168-14	OUTLET SOCKET
C479	166-5611-50	560pF CH	C726	043-0554-90	25V 10uF	J302	074-4017-20	SOCKET 20P
C480	166-5611-50	560pF CH	C727	168-1042-78	16V 0.1uF	J701	074-1237-76	26P
C481	166-2201-50	22pF CH	C728	168-1042-78	16V 0.1uF	L101	010-2003-04	30uH
C482	166-2201-50	22pF CH	C729	042-1767-90	16V 470uF	L102	010-3104-50	30 ohm/100MHz
C483	166-2201-50	22pF CH	C732	166-1011-50	100pF CH	L103	010-4011-20	2.5mH +3/-3%
C484	166-2201-50	22pF CH	C735	043-0499-51	0.1uF	L201	010-3104-50	30 ohm/100MHz
C485	166-5611-50	560pF CH	C736	166-2201-50	22pF CH	L202	010-3104-50	30 ohm/100MHz
C486	166-5611-50	560pF CH	C737	166-1221-50	1200pF CH	L203	010-3104-50	30 ohm/100MHz
C487	166-5611-50	560pF CH	C803	168-1042-78	16V 0.1uF	L401	010-3105-62	1k ohm/100MHz
C488	166-5611-50	560pF CH	C901	168-1032-55	0.01uF K	L402	010-3105-62	1k ohm/100MHz
C491	168-1042-78	16V 0.1uF	C902	165-2263-35	16V 22uF	L403	010-3105-62	1k ohm/100MHz
C493	043-0554-90	25V 10uF	C904	165-2263-35	16V 22uF	L404	010-3105-62	1k ohm/100MHz
C494	043-0554-90	25V 10uF	C905	168-1032-55	0.01uF K	L405	010-3105-62	1k ohm/100MHz
C495	168-1042-78	16V 0.1uF	C906	168-1032-55	0.01uF K	L406	010-3105-62	1k ohm/100MHz
C496	165-1073-15	6.3V 100uF	C907	168-1022-55	1000pF K	L407	010-3105-62	1k ohm/100MHz
C497	165-4763-15	6.3V 47uF	C909	165-2263-35	16V 22uF	L408	010-3105-62	1k ohm/100MHz
C498	168-3322-55	3300pF K	C910	168-1032-55	0.01uF K	L409	010-3105-62	1k ohm/100MHz
C499	168-3322-55	3300pF K	C911	168-3332-78	0.033uF K	L410	010-3105-62	1k ohm/100MHz
C500	168-1042-78	16V 0.1uF	C912	165-1073-15	6.3V 100uF	L411	010-3105-62	1k ohm/100MHz
C501	043-0499-51	0.1uF	C913	168-1042-78	16V 0.1uF	L412	010-3105-62	1k ohm/100MHz
C502	165-2263-15	6.3V 22uF	C914	168-1022-55	1000pF K	L413	010-3105-62	1k ohm/100MHz
C503	168-1042-78	16V 0.1uF	C915	165-2263-35	16V 22uF	L414	010-3105-62	1k ohm/100MHz
C504	168-1042-38	50V 0.1uF	CCT701	050-0145-52	1/16W 1k ohm x4	L415	010-2198-51	0.22uH
C509	165-2253-65	50V 2.2uF	CCT702	050-0145-52	1/16W 1k ohm x4	L416	010-3105-62	1k ohm/100MHz
C510	165-2253-65	50V 2.2uF	D101	001-2403-90	M1F60	L702	010-3406-66	22uH J
C527	165-2253-65	50V 2.2uF	D102	001-2403-90	M1F60	L703	010-3406-66	22uH J
C528	168-5612-55	560pF Z	D103	001-0516-90	MA111	L704	010-3406-66	22uH J
C529	165-2253-65	50V 2.2uF	D104	001-0516-90	MA111	L705	010-3105-62	1k ohm/100MHz
C531	168-1545-56	0.15uF Z	D105	001-0529-28	MA8051-L	L707	010-3105-62	1k ohm/100MHz
C532	168-1545-56	0.15uF Z	D106	001-0529-47	MA8091-M	L708	010-3105-62	1k ohm/100MHz
C533	168-1545-56	0.15uF Z	D201	001-0529-45	MA8082-H	L709	010-3105-62	1k ohm/100MHz
C534	168-1545-56	0.15uF Z	D301	001-0529-69	MA8180-M	Q101	125-2027-91	DTC114EUA
C535	165-1063-35	16V 10uF	D302	001-0529-32	MA8056-M	Q102	190-1736-00	2SA1736
C536	168-2222-55	2200pF K	D303	001-0529-32	MA8056-M	Q103	125-2027-91	DTC114EUA
C538	168-2222-55	2200pF K	D502	001-0592-00	RM4Z	Q104	191-1197-50	2SB1197K Q,R
C541	168-2222-55	2200pF K	D505	001-2403-90	M1F60	Q105	125-2027-90	DTC143EU
C542	168-2222-55	2200pF K	D701	001-0504-42	HZS7 C3L	Q106	190-1736-00	2SA1736
C543	168-1032-55	0.01uF K	D702	001-0529-43	MA8082-L	Q107	193-1664-00	2SD1664 P,Q,R
C546	165-3353-65	50V 3.3uF	D703	001-0516-90	MA111	Q108	193-1664-00	2SD1664 P,Q,R
C547	043-0499-51	0.1uF	D704	001-0529-33	MA8056-H	Q109	125-0021-91	DTA114EUA
C548	189-3383-31	16V 3300uF	D708	001-2403-90	M1F60			
C549	178-2222-78	2200pF	D712	001-0516-90	MA111			
C550	178-2222-78	2200pF	D713	001-0529-48	MA8091-H			
C551	178-2222-78	2200pF	D804	001-0535-90	MA729			
C552	178-2222-78	2200pF	D805	001-0529-48	MA8091-H			

REF No.	PART No.	DESCRIPTION	REF No.	PART No.	DESCRIPTION	REF No.	PART No.	DESCRIPTION	REF No.	PART No.	DESCRIPTION	REF No.	PART No.	DESCRIPTION	REF No.	PART No.	DESCRIPTION
Q110	125-2027-91	DTC114EUA	R403	119-3331-15	1/10W 33k ohm	R559	119-2221-15	1/10W 2.2k ohm	R815	119-4731-15	1/10W 47k ohm	R917	116-1221-15	1/4W 1.2k ohm	SUP101	060-0122-91	DSP-141N-S00B
Q203	103-2394-00	2SD2394	R404	119-3331-15	1/10W 33k ohm	R571	119-4721-15	1/10W 4.7k ohm	R816	119-4731-15	1/10W 47k ohm	R918	116-1221-15	1/4W 1.2k ohm	T501	009-0670-80	180uH
Q204	125-2027-91	DTC114EUA	R405	032-0140-52	1/10W 33k ohm F	R578	119-4731-15	1/10W 47k ohm	R819	119-3331-15	1/10W 33k ohm	R919	116-1221-15	1/4W 1.2k ohm	TC701	004-1583-52	20pF RED
Q205	125-0021-91	DTA114EUA	R406	032-0140-52	1/10W 33k ohm F	R579	119-4731-15	1/10W 47k ohm	R820	119-3331-15	1/10W 33k ohm	R920	116-1221-15	1/4W 1.2k ohm	TH101	002-0318-21	THERMISTOR
Q206	192-4081-00	2SC4081	R407	032-0140-52	1/10W 33k ohm F	R701	119-3331-15	1/10W 33k ohm	R821	119-3331-15	1/10W 33k ohm	R921	119-1031-15	1/10W 10k ohm	TM101	073-0762-90	TERMINAL
Q301	193-1664-00	2SD1664 P,Q,R	R408	032-0140-52	1/10W 33k ohm F	R702	119-1041-15	1/10W 100k ohm	R901	117-6811-15	1/8W 680 ohm	R922	119-0000-05	1/10W 0 ohm JW	TM102	073-0762-90	TERMINAL
Q403	125-7005-90	PHK04P02T	R412	119-1031-15	1/10W 10k ohm	R703	119-3331-15	1/10W 33k ohm	R903	117-4711-15	1/8W 470 ohm	R923	116-1591-15	1/4W 1.5 ohm	TM201	073-0762-90	TERMINAL
Q515	125-2027-91	DTC114EUA	R413	119-1021-15	1/10W 1k ohm	R704	119-1011-15	1/10W 100 ohm	R905	111-4711-94	1/4W 470 ohm	R924	116-1591-15	1/4W 1.5 ohm	TM501	073-0762-90	TERMINAL
Q521	125-2027-91	DTC114EUA	R415	119-1031-15	1/10W 10k ohm	R705	119-1011-15	1/10W 100 ohm	R907	116-1821-15	1/4W 1.8k ohm	R925	119-1031-15	1/10W 10k ohm	TM701	073-0762-90	TERMINAL
Q522	125-0021-91	DTA114EUA	R416	119-1031-15	1/10W 10k ohm	R706	119-1031-15	1/10W 10k ohm	R909	119-0000-05	1/10W 0 ohm JW	R926	119-2221-15	1/10W 2.2k ohm	TM901	073-0762-90	TERMINAL
Q701	192-4081-00	2SC4081	R417	119-2201-15	1/10W 22 ohm	R707	119-1031-15	1/10W 10k ohm	R910	119-2231-15	1/10W 22k ohm	R927	119-1521-15	1/10W 1.5k ohm	X201	061-3534-90	16.92MHz
Q702	192-4081-00	2SC4081	R421	119-1001-15	1/10W 10 ohm	R708	116-3011-15	1/4W 300 ohm	R911	116-1021-15	1/4W 1k ohm	R928	119-1031-15	1/10W 10k ohm	X401	061-3537-90	41.6MHz
Q703	192-4081-00	2SC4081	R425	032-0140-52	1/10W 33k ohm F	R709	116-3011-15	1/4W 300 ohm	R912	119-1031-15	1/10W 10k ohm	R929	119-1031-15	1/10W 10k ohm	R929	061-3560-90	3.145728MHz AT-41
Q803	192-4081-00	2SC4081	R426	032-0140-52	1/10W 33k ohm F	R712	119-3331-15	1/10W 33k ohm	R913	119-1031-15	1/10W 10k ohm	R930	119-1821-15	1/10W 1.8k ohm	R930	061-3560-90	CD2
Q901	103-2394-00	2SD2394	R427	032-0140-52	1/10W 33k ohm F	R715	119-2241-15	1/10W 220k ohm	R914	119-1031-15	1/10W 10k ohm	R931	117-0000-05	1/8W 0 ohm JW	R931	061-3506-90	32.768MHz
Q902	192-4081-00	2SC4081	R429	032-0140-52	1/10W 33k ohm F	R716	119-3331-15	1/10W 33k ohm	R915	119-4791-15	1/10W 4.7 ohm	R935	116-1591-15	1/4W 1.5 ohm	R935	039-3141-00	PWB(WITHOUT CO
Q904	103-2394-00	2SD2394	R439	119-1031-15	1/10W 10k ohm	R717	119-1021-15	1/10W 1k ohm	R916	119-4791-15	1/10W 4.7 ohm	R936	116-1591-15	1/4W 1.5 ohm	R936		MPONENTS)
Q905	192-4081-00	2SC4081	R440	119-1031-15	1/10W 10k ohm	R718	119-0000-05	1/10W 0 ohm JW									
Q906	125-2027-91	DTC114EUA	R441	119-1011-15	1/10W 100 ohm	R719	119-1011-15	1/10W 100 ohm									
Q907	125-0021-92	DTA124EUA	R442	119-1011-15	1/10W 100 ohm	R720	119-3331-15	1/10W 33k ohm									
Q908	192-4081-00	2SC4081	R444	119-1011-15	1/10W 100 ohm	R721	119-3331-15	1/10W 33k ohm									
Q909	192-4081-00	2SC4081	R445	119-1011-15	1/10W 100 ohm	R722	119-3331-15	1/10W 33k ohm									
Q912	103-2394-00	2SD2394	R446	119-1011-15	1/10W 100 ohm	R723	119-1031-15	1/10W 10k ohm									
Q913	103-2394-00	2SD2394	R448	119-1031-15	1/10W 10k ohm	R724	119-3331-15	1/10W 33k ohm									
Q914	103-2394-00	2SD2394	R449	119-1031-15	1/10W 10k ohm	R725	119-2221-15	1/10W 2.2k ohm									
Q915	125-2027-91	DTC114EUA	R451	119-3321-15	1/10W 3.3k ohm	R726	119-3331-15	1/10W 33k ohm									
Q916	125-0021-91	DTA114EUA	R454	119-1011-15	1/10W 100 ohm	R727	119-6831-15	1/10W 68k ohm									
Q921	125-2027-91	DTC114EUA	R455	119-1001-15	1/10W 10 ohm	R728	119-6831-15	1/10W 68k ohm									
Q922	125-0021-91	DTA114EUA	R458	119-1021-15	1/10W 1k ohm	R729	119-1641-15	1/10W 160k ohm									
R101	116-1521-15	1/4W 1.5k ohm	R459	119-1021-15	1/10W 1k ohm	R730	119-1021-15	1/10W 1k ohm									
R102	119-4731-15	1/10W 47k ohm	R460	119-1021-15	1/10W 1k ohm	R731	119-1031-15	1/10W 10k ohm									
R105	119-1041-15	1/10W 100k ohm	R461	119-1021-15	1/10W 1k ohm	R732	117-2221-15	1/8W 2.2k ohm									
R106	119-1521-15	1/10W 1.5k ohm	R462	119-6821-15	1/10W 6.8k ohm	R733	119-1021-15	1/10W 1k ohm									
R107	116-5691-15	1/4W 5.6 ohm	R463	119-6821-15	1/10W 6.8k ohm	R734	116-1011-15	1/4W 100 ohm									
R108	119-1031-15	1/10W 10k ohm	R464	119-6821-15	1/10W 6.8k ohm	R735	119-4731-15	1/10W 47k ohm									
R109	119-1011-15	1/10W 100 ohm	R465	119-6821-15	1/10W 6.8k ohm	R736	119-3331-15	1/10W 33k ohm									
R110	119-6821-15	1/10W 6.8k ohm	R466	119-6821-15	1/10W 6.8k ohm	R737	119-4731-15	1/10W 47k ohm									
R111	119-6821-15	1/10W 6.8k ohm	R467	119-6821-15	1/10W 6.8k ohm	R738	119-3331-15	1/10W 33k ohm									
R112	119-1011-15	1/10W 100 ohm	R470	119-4731-15	1/10W 47k ohm	R739	119-3331-15	1/10W 33k ohm									
R113	119-1011-15	1/10W 100 ohm	R471	119-4731-15	1/10W 47k ohm	R740	119-1031-15	1/10W 10k ohm									
R114	117-2721-15	1/8W 2.7k ohm	R476	119-4731-15	1/10W 47k ohm	R741	119-1011-15	1/10W 100 ohm									
R115	119-1011-15	1/10W 100 ohm	R477	119-4731-15	1/10W 47k ohm	R742	119-1011-15	1/10W 100 ohm									
R116	119-1031-15	1/10W 10k ohm	R480	119-6821-15	1/10W 6.8k ohm	R743	119-1031-15	1/10W 10k ohm									
R117	119-1011-15	1/10W 100 ohm	R481	119-6821-15	1/10W 6.8k ohm	R744	119-3331-15	1/10W 33k ohm									
R118	116-2291-15	1/4W 2.2 ohm	R482	119-3331-15	1/10W 33k ohm	R754	119-1041-15	1/10W 100k ohm									
R119	116-2291-15	1/4W 2.2 ohm	R483	119-3331-15	1/10W 33k ohm	R756	119-3331-15	1/10W 33k ohm									
R120	116-6811-15	1/4W 680 ohm	R484	119-3331-15	1/10W 33k ohm	R757	119-4731-15	1/10W 47k ohm									
R121	119-1011-15	1/10W 100 ohm	R485	119-3331-15	1/10W 33k ohm	R758	119-4731-15	1/10W 47k ohm									
R122	119-1011-15	1/10W 100 ohm	R486	119-3331-15	1/10W 33k ohm	R759	119-4731-15	1/10W 47k ohm									
R201	119-1521-15	1/10W 1.5k ohm	R487	119-3331-15	1/10W 33k ohm	R760	119-4731-15	1/10W 47k ohm									
R202	119-2251-15	1/10W 2.2M ohm	R488	119-3331-15	1/10W 33k ohm	R761	119-3331-15	1/10W 33k ohm									
R203	119-2211-15	1/10W 220 ohm	R489	119-3331-15	1/10W 33k ohm	R762	119-1031-15	1/10W 10k ohm									
R204	119-1031-15	1/10W 10k ohm	R501	117-0000-05	1/8W 0 ohm JW	R763	119-1031-15	1/10W 10k ohm									
R205	119-1031-15	1/10W 10k ohm	R513	119-1041-15	1/10W 100k ohm	R765	119-3321-15	1/10W 3.3k ohm									
R206	119-1021-15	1/10W 1k ohm	R514	119-1041-15	1/10W 100k ohm	R776	119-3331-15	1/10W 33k ohm									
R209	119-1031-15	1/10W 10k ohm	R515	119-1041-15	1/10W 100k ohm	R777	119-3321-15	1/10W 3.3k ohm									
R210	119-3331-15	1/10W 33k ohm	R516	119-1041-15	1/10W 100k ohm	R781	119-1031-15	1/10W 10k ohm									
R211	119-3321-15	1/10W 3.3k ohm	R517	119-2221-15	1/10W 2.2k ohm	R783	116-3011-15	1/4W 300 ohm									
R212	119-3331-15	1/10W 33k ohm	R518	119-2221-15	1/10W 2.2k ohm	R791	119-1031-15	1/10W 10k ohm									
R213	119-3321-15	1/10W 3.3k ohm	R521	119-1531-15	1/10W 15k ohm	R794	116-8201-15	1/4W 82 ohm									
R214	119-1031-15	1/10W 10k ohm	R522	119-1531-15	1/10W 15k ohm	R795	032-0140-72	1/10W 470 ohm F									
R215	116-6811-15	1/4W 680 ohm	R524	119-0000-05	1/10W 0 ohm JW	R797	116-3011-15	1/4W 300 ohm									
R217	119-3331-15	1/10W 33k ohm	R526	119-1031-15	1/10W 10k ohm	R799	119-1021-15	1/10W 1k ohm									
R301	116-1211-15	1/4W 120 ohm	R527	119-0000-05	1/10W 0 ohm JW	R800	119-3331-15	1/10W 33k ohm									
R302	116-6801-15	1/4W 68 ohm	R528	119-0000-05	1/10W 0 ohm JW	R802	119-3331-15	1/10W 33k ohm									
R303	116-1011-15	1/4W 100 ohm	R529	119-1531-15	1/10W 15k ohm	R803	119-1031-15	1/10W 10k ohm									
R304	116-1011-15	1/4W 100 ohm	R534	119-1031-15	1/10W 10k ohm	R804	119-1031-15	1/10W 10k ohm									
R305	119-1031-15	1/10W 10k ohm	R535	119-1531-15	1/10W 15k ohm	R805	119-1021-15	1/10W 1k ohm									
R306	119-3321-15	1/10W 3.3k ohm	R536	119													

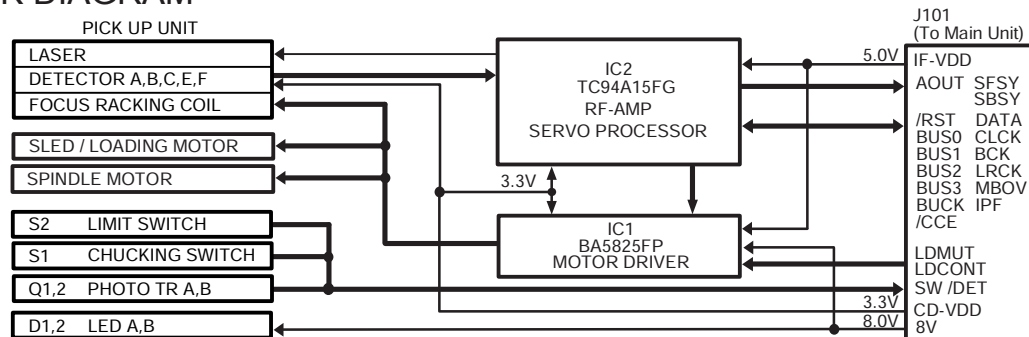
Service Manual



CD mechanism

Model 929-5019-80

BLOCK DIAGRAM



ELECTRICAL PARTS LIST

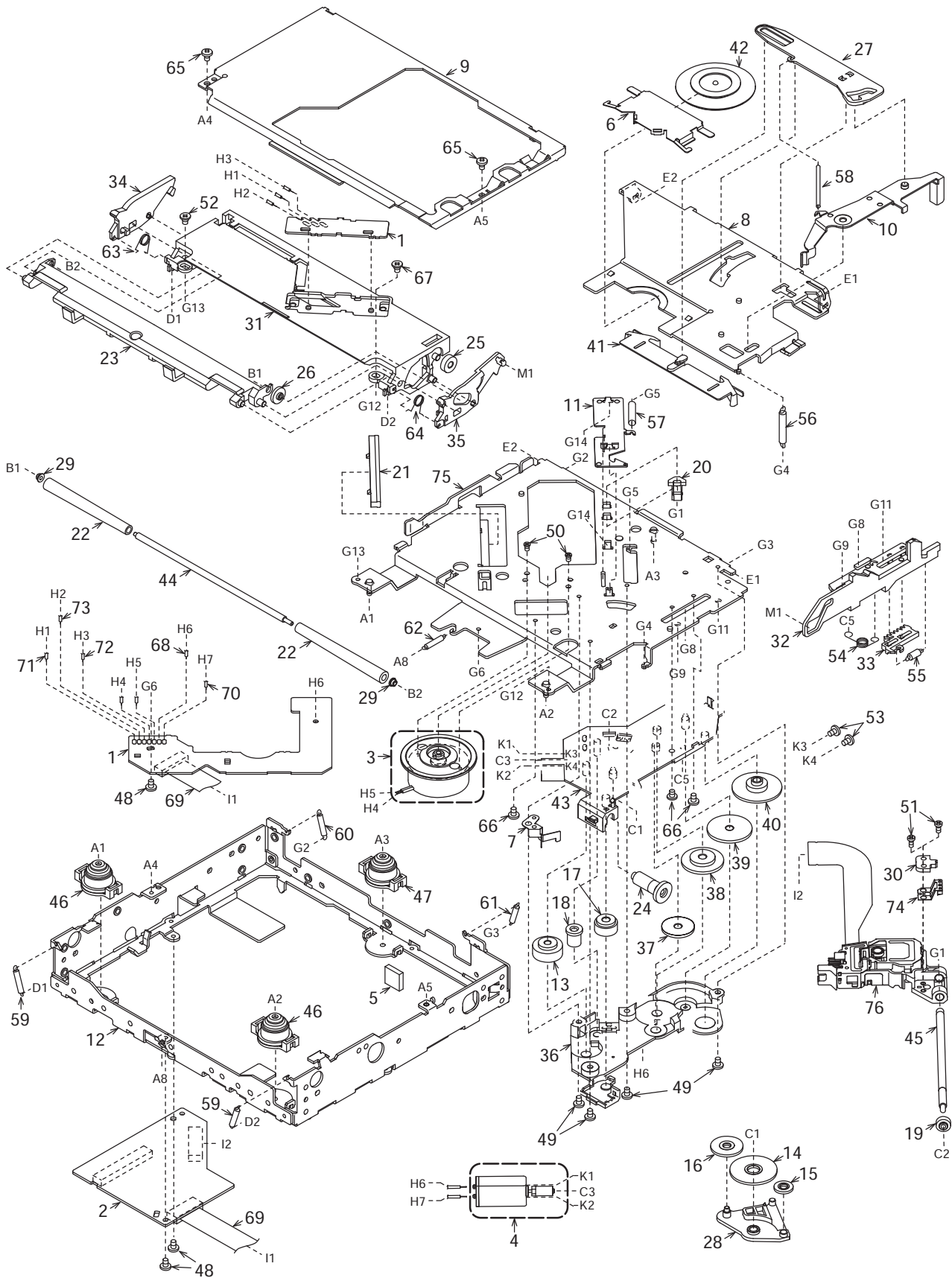
CD PWB(BM1) section

REF No.	PART No.	DESCRIPTION	REF No.	PART No.	DESCRIPTION	REF No.	PART No.	DESCRIPTION
C1	168-1042-78	16V 0.1uF	C27	046-3332-78	0.033uF	R2	117-1001-15	1/8W 10 ohm
C2	163-1073-35	16V 100uF	C29	046-6822-58	6800pF	R3	033-2211-15	1/10W 220 ohm
C4	178-1052-78	1uF	C30	168-1042-78	16V 0.1uF	R5	033-0000-05	1/10W 0 ohm
C5	042-0560-85	6.3V 100uF	C31	046-4712-58	470pF	R6	033-5621-15	1/10W 5.6k ohm
C6	178-1052-78	1uF	C32	046-4712-58	470pF	R7	033-4731-15	1/10W 47k ohm
C8	178-1052-78	1uF	C33	168-1042-78	16V 0.1uF	R8	033-3341-15	1/10W 330k ohm
C10	168-1042-78	16V 0.1uF	C34	168-4732-78	16V 0.047uF	R9	033-2231-15	1/10W 22k ohm
C11	168-1042-78	16V 0.1uF	C35	168-4732-78	16V 0.047uF	R10	033-2231-15	1/10W 22k ohm
C12	045-4701-50	47pF	C36	045-1007-50	10pF	R11	033-2731-15	1/10W 27k ohm
C13	046-1532-78	0.015uF	C37	045-1007-50	10pF	R12	033-4731-15	1/10W 47k ohm
C14	168-1042-78	16V 0.1uF	C38	168-1042-78	16V 0.1uF	R13	033-2731-15	1/10W 27k ohm
C15	046-1032-78	0.01uF	C39	046-5622-58	5600pF	R14	033-1531-15	1/10W 15k ohm
C17	046-4722-58	4700pF	C40	168-1042-78	16V 0.1uF	R15	033-2731-15	1/10W 27k ohm
C18	046-1522-58	1500pF	CCCT1	050-0140-63	1/32W 47k ohm x4J	R16	033-8231-15	1/10W 82k ohm
C19	168-1042-78	16V 0.1uF	D1	001-0367-91	1SS226	R17	033-2731-15	1/10W 27k ohm
C20	168-1042-78	16V 0.1uF	IC1	051-6079-90	BA5830FPG	R18	033-8231-15	1/10W 82k ohm
C21	046-6812-58	680pF	IC2	051-6399-00	TC94A15F	R19	033-1051-15	1/10W 1M ohm
C22	168-1042-78	16V 0.1uF	J101	074-1228-79	29P	R20	119-2221-15	1/10W 2.2k ohm
C23	046-1532-78	0.015uF	J201	074-1138-65	15P	X2	061-3534-90	16.92MHz
C24	168-1042-78	16V 0.1uF	J301	074-1138-60	10P	PWB	039-2741-20	PWB(WITHOUT COMPONENT)
C25	045-6801-50	68pF	Q1	131-1188-50	2SB1188PQR			
C26	168-1042-78	16V 0.1uF	R1	117-6811-15	1/8W 680 ohm			

Sensor PWB(BM2) section

REF No.	PART No.	DESCRIPTION	REF No.	PART No.	DESCRIPTION	REF No.	PART No.	DESCRIPTION
D1	001-7058-90	AN1105W-RR	Q1	060-4015-91	PS1192HB	S2	013-7413-50	LIMIT
D2	001-7058-90	AN1105W-RR	Q2	060-4015-91	PS1192HB	PWB	039-2675-20	PWB(WITHOUT COMPONENT)
J1	074-1138-60	10P	S1	013-7414-50	CHUCKING			

EXPLODED VIEW / PARTS LIST



NO.	PART NO.	DESCRIPTION	Q'TY	NO.	PART NO.	DESCRIPTION	Q'TY
1	-----	SENSOR PWB	1	39	621-1750-20	POWER GEAR C	1
2	-----	CD PWB	1	40	621-1751-20	POWER GEAR D	1
3	SMA-182-100	SPINDLE MOTOR-ASSY	1	41	621-1752-20	DISC STOPPER	1
4	SMA-183-100	SLED MOTOR-ASSY	1	42	621-1753-20	CLAMPER RING	1
5	345-5476-20	CUSHION RUBBER	1	43	621-1754-20	GEAR BASE	1
6	620-1023-23	CLAMPER PLATE	1	44	622-1571-21	ROLLER SHAFT	1
7	620-1026-21	SPRING PLATE	1	45	624-0020-00	LEAD SCREW	1
8	620-1596-23	CLAMPER LINK	1	46	629-0086-20	DAMPER F	2
9	620-1598-22	UPPER CHASSIS	1	47	629-0087-20	DAMPER R	1
10	620-1752-20	SENSOR ARM	1	48	716-1507-01	SCREW(M2x3)	3
11	620-1753-20	ID-LOCK PLATE	1	49	716-1670-01	SCREW(M2x4)	4
12	620-1754-20	LOWER CHASSIS	1	50	716-1733-01	SCREW(M1.7x2.3)	2
13	621-0608-21	SECOND GEAR	1	51	716-3469-01	SCREW(1.7x4)	2
14	621-0609-20	BASE GEAR	1	52	716-3473-01	SCREW(M2x3)	1
15	621-0610-20	IDLE GEAR A	1	53	716-3551-00	SCREW(M1.4x2.5)	2
16	621-0611-20	IDLE GEAR B	1	54	750-7865-20	SHIFT SPRING	1
17	621-0612-21	ROLLER GEAR A	1	55	750-7866-20	RACK SPRING	1
18	621-0620-20	THREAD GEAR A	1	56	750-7867-20	CLAMPER SPRING	1
19	621-0621-20	THREAD GEAR B	1	57	750-7868-20	ID-LOCK SPRING	1
20	621-0623-23	LS-HOLDER	1	58	750-7869-20	SENSOR SPRING	1
21	621-0624-22	GUIDE RAIL	1	59	750-7870-20	DR-SPRING F	2
22	621-0711-21	LOADING ROLLER	2	60	750-7871-20	DR-SPRING RA	1
23	621-0718-21	ROLLER GUIDE	1	61	750-7872-20	DR-SPRING RB	1
24	621-0719-20	ROLLER GEAR B	1	62	750-7873-20	DR-SPRING C	1
25	621-0720-20	ROLLER GEAR C	1	63	750-6797-20	ROLLER SPRING L	1
26	621-0721-20	ROLLER GEAR D	1	64	750-6798-20	ROLLER SPRING R	1
27	621-0728-20	STOPPER LINK	1	65	714-2003-8B	SCREW(M2x3)	2
28	621-1719-20	IDLE CASE	1	66	780-2025-00	SCREW(M2x2.5)	3
29	621-1726-20	ROLLER SLEEVE	2	67	781-1730-00	SCREW(M1.7x3)	1
30	621-1729-20	SH-BASE	1	68	803-4906-60	VINYL-COAT-WIRE(ORG)	1
31	621-1742-20	UPPER GUIDE	1	69	816-2542-01	FLAT WIRE	1
32	621-1743-20	SHIFT LEVER	1	70	816-2590-00	VINYL-COAT-WIRE(GRN)	1
33	621-1744-20	RACK	1	71	816-2591-00	VINYL-COAT-WIRE(YEL)	1
34	621-1745-20	LOCK ARM L	1	72	816-2592-00	VINYL-COAT-WIRE(BLUE)	1
35	621-1746-20	LOCK ARM R	1	73	816-2593-00	VINYL-COAT-WIRE(PUR)	1
36	621-1747-20	GEAR COVER	1	74	966-1722-20	SH-RACK-ASSY	1
37	621-1748-20	POWER GEAR A	1	75	966-1743-21	DRIVE-PLT-ASSY	1
38	621-1749-20	POWER GEAR B	1	76	969-0071-30	PICKUP-ASSY	1