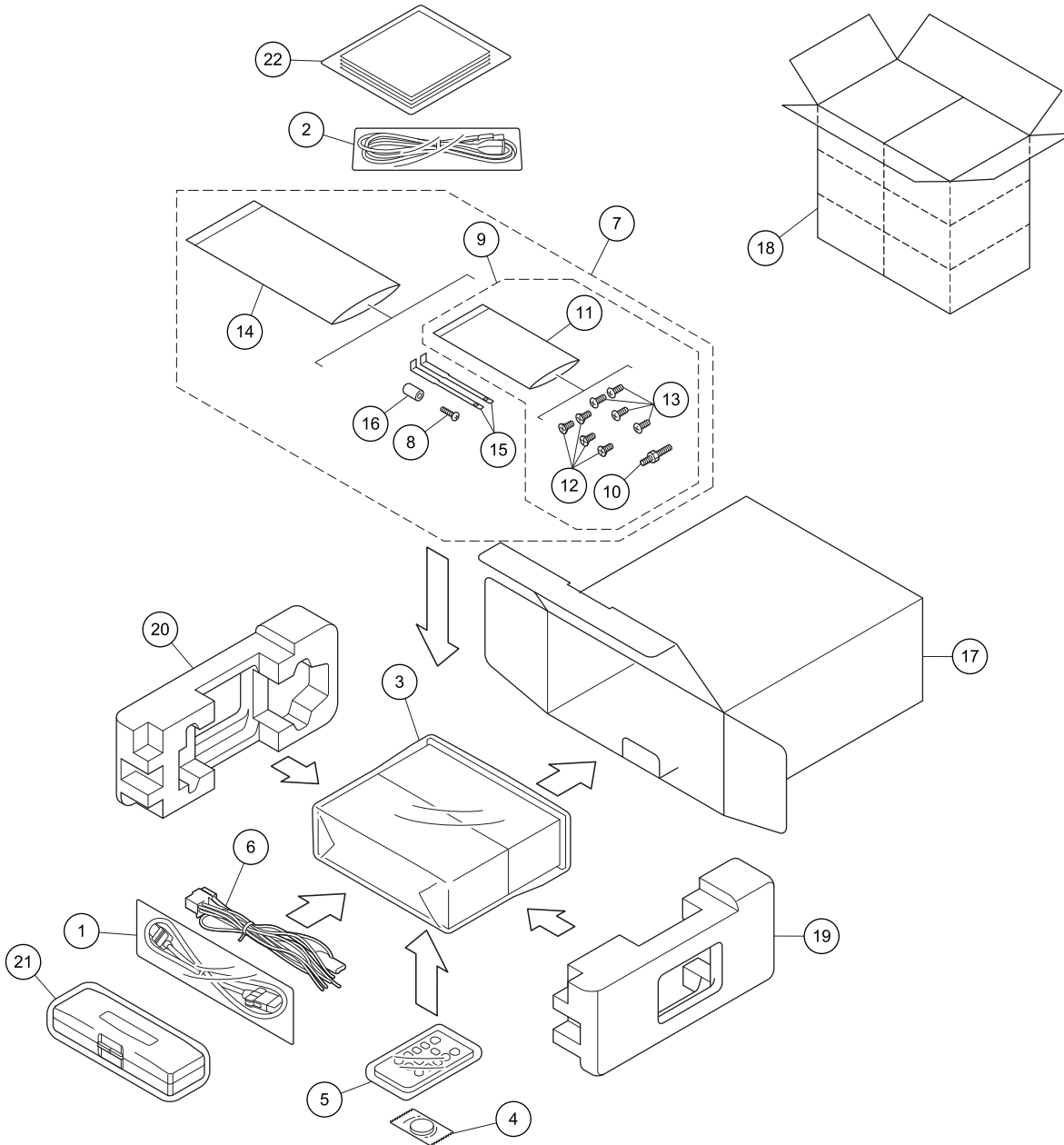


# 9. EXPLODED VIEWS AND PARTS LIST

- NOTES :
- Parts marked by " \* " are generally unavailable because they are not in our Master Spare Parts List.
  - The ⚠ mark found on some component parts indicates the importance of the safety factor of the part. Therefore, when replacing, be sure to use parts of identical designation.
  - Screw adjacent to ▽ mark on the product are used for disassembly.
  - For the applying amount of lubricants or glue, follow the instructions in this manual. (In the case of no amount instructions, apply as you think it appropriate.)

## 9.1 PACKING



**(1) PACKING SECTION PARTS LIST**

<u>Mark No.</u>	<u>Description</u>	<u>Part No.</u>	<u>Mark No.</u>	<u>Description</u>	<u>Part No.</u>
1	Cord Assy	See Contrast table(2)			
2	Cord Assy	CDP1040	16	Bush	CNV3930
3	Polyethylene Bag	See Contrast table(2)	17	Unit Box	See Contrast table(2)
* 4	Battery	CEX1065	18	Contain Box	See Contrast table(2)
5	Remote Control Assy	CXC8885	19	Protector	See Contrast table(2)
			20	Protector	See Contrast table(2)
6	Cord Assy	XDP7001			
* 7	Accessory Assy	See Contrast table(2)	21	Case Assy	See Contrast table(2)
8	Screw	See Contrast table(2)	22-1	Caution Card	CRP1310
9	Screw Assy	CEA3849	22-2	Caution Card	See Contrast table(2)
10	Screw	CBA1650	* 22-3	Warranty Card	See Contrast table(2)
			22-4	Installation Manual	See Contrast table(2)
* 11	Polyethylene Bag	CEG-127			
12	Screw	CRZ50P090FTC	22-5	Owner's Manual	See Contrast table(2)
13	Screw	TRZ50P080FTC	22-6	Owner's Manual	See Contrast table(2)
* 14	Polyethylene Bag	See Contrast table(2)	* 22-7	Caution Card	See Contrast table(2)
15	Handle	CND3707			

**(2) CONTRAST TABLE**

DEH-P400UB/XS/UC, DEH-P4000UB/XS/UC, DEH-P4050UB/XS/ES and DEH-P4050UB/XU/CN5 are constructed the same except for the following:

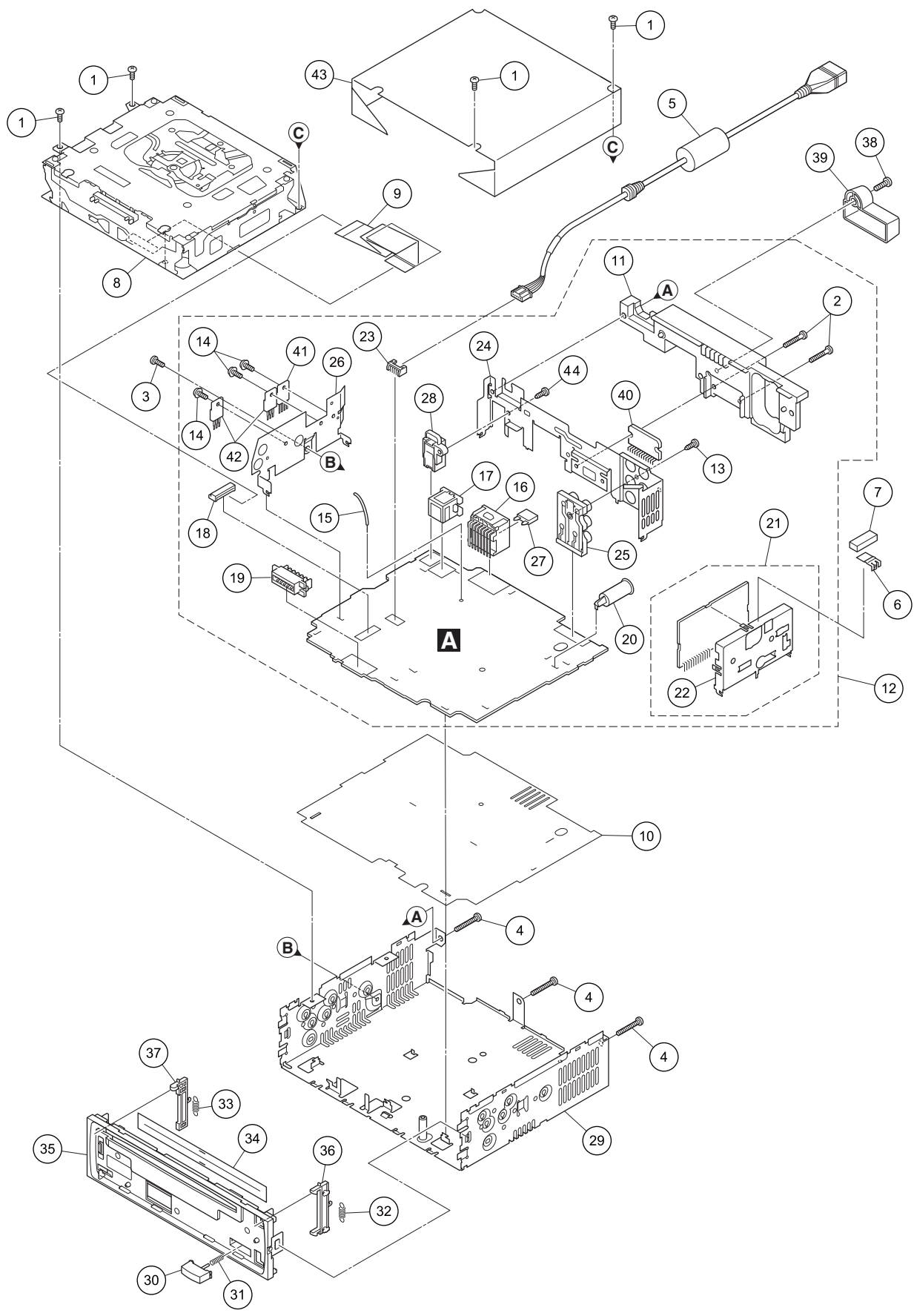
Mark	No.	Description	DEH-P400UB/XS/UC	DEH-P4000UB/XS/UC	DEH-P4050UB/XS/ES	DEH-P4050UB/XU/CN5
	1	Cord Assy	CDP1041	Not used	Not used	Not used
	3	Polyethylene Bag	CEG1173	CEG1173	CEG-162	CEG-162
	7	Accessory Assy	*YEA5012	*YEA5012	CEA6708	YEA5013
	8	Screw	BPZ20P080FTC	BPZ20P080FTC	Not used	Not used
*	14	Polyethylene Bag	CEG-158	CEG-158	CEG1160	CEG-158
	17	Unit Box	YHG5356	YHG5165	YHG5353	YHG5354
	18	Contain Box	YHL5356	YHL5167	YHL5353	YHL5354
	19	Protector	YHP5041	YHP5041	YHP5039	YHP5039
	20	Protector	YHP5042	YHP5042	YHP5040	YHP5040
	21	Case Assy	Not used	Not used	CXB3520	CXB3520
	22-2	Caution Card	Not used	CRP1294	Not used	Not used
*	22-3	Warranty Card	CRY1070	CRY1246	Not used	ARY7046
	22-4	Installation Manual	YRD5170	YRD5132	YRD5167	Not used
	22-5	Owner's Manual	YRD5164	YRD5131	YRD5165	YRB5075
	22-6	Owner's Manual	Not used	Not used	YRD5161	Not used
*	22-7	Caution Card	YRP5011	YRP5011	YRP5012	YRP5012

**Owner's Manual,Installation Manual**

Part No.	Language
YRD5164,YRD5170,YRD5131,YRD5132	English, French
YRD5161	English, Spanish, Portuguese(B)
YRD5165	Traditional Chinese, Arabic
YRD5167	English, Spanish, Portuguese(B), Traditional Chinese, Arabic
YRB5075	Simplified Chinese

# 9.2 EXTERIOR(1)

A  
B  
C  
D  
E  
F



**(1) EXTERIOR(1) SECTION PARTS LIST**

<u>Mark No.</u>	<u>Description</u>	<u>Part No.</u>	<u>Mark No.</u>	<u>Description</u>	<u>Part No.</u>
1	Screw	BSZ26P060FTC	23	5P Plug(CN251)	KM200NA5L
2	Screw	BSZ26P200FTC	24	Holder	See Contrast table(2)
3	Screw	BSZ30P060FTC	25	Pin Jack(CN351)	XKB7001
4	Screw	BSZ30P200FTC			
5	Cord Assy	CDE8351	26	Holder	XNC7030
			⚠	27 Fuse(10 A)	YEK5001
6	Earth Plate	CNC8915	28	Jack(CN621)	See Contrast table(2)
7	Cushion	CNM8890	29	Chassis Unit	YXA5196
8	CD Mechanism Module(S10.5)	CXK5770	30	Button	CAC4836
9	Cable	YDE5030			
10	Insulator	YNM5062	31	Spring	CBH2367
			32	Spring	CBH2961
11	Heat Sink	YNR5031	33	Spring	CBH2962
12	Tuner Amp Unit	See Contrast table(2)	34	Cover	CNN1665
13	Screw	BPZ26P080FTC	35	Panel	CNS9206
14	Screw	BSZ26P060FTC			
15	Clamper	CEF1050	36	Arm	CNV9311
			37	Arm	CNV9312
16	Plug(CN901)	CKM1376	38	Screw	See Contrast table(2)
17	Connector(CN101)	CKS3408	39	Holder	See Contrast table(2)
18	Connector(CN701)	CKS3833	40	IC(IC301)	PAL007C
19	Connector(CN803)	CKS5664			
20	Antenna Jack(CN401)	CKX1056	41	IC(IC921)	NJM2388F84
			42	Transistor (Q702,Q911)	2SD2396
21	FM/AM Tuner Unit(Y401)	CWE2098	43	Sheet	See Contrast table(2)
22	Holder	CND4324	44	Screw	See Contrast table(2)

**(2) CONTRAST TABLE**

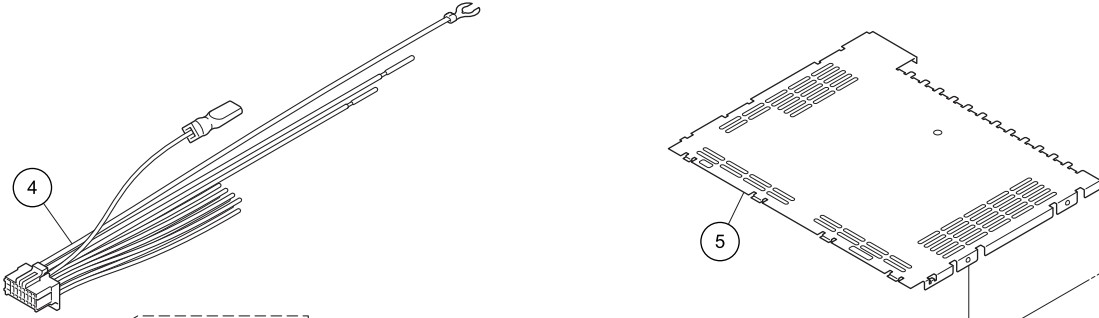
DEH-P400UB/XS/UC, DEH-P4000UB/XS/UC, DEH-P4050UB/XS/ES and DEH-P4050UB/XU/CN5 are constructed the same except for the following:

<b>Mark</b>	<b>No.</b>	<b>Description</b>	<b>DEH-P400UB/XS/UC</b>	<b>DEH-P4000UB/XS/UC</b>	<b>DEH-P4050UB/XS/ES</b>	<b>DEH-P4050UB/XU/CN5</b>
	12	Tuner Amp Unit	YWM5171	YWM5173	YWM5177	YWM5179
	24	Holder	QNC3001	QNC3001	YNC5057	YNC5057
	28	Jack(CN621)	YKS5002	YKS5002	Not used	Not used
	38	Screw	Not used	BMZ40P140FTC	Not used	Not used
	39	Holder	Not used	CNV7619	Not used	Not used
NOTE	43	Sheet	Not used	Not used	Not used	CNM9404
	44	Screw	BPZ26P080FTC	BPZ26P080FTC	Not used	Not used

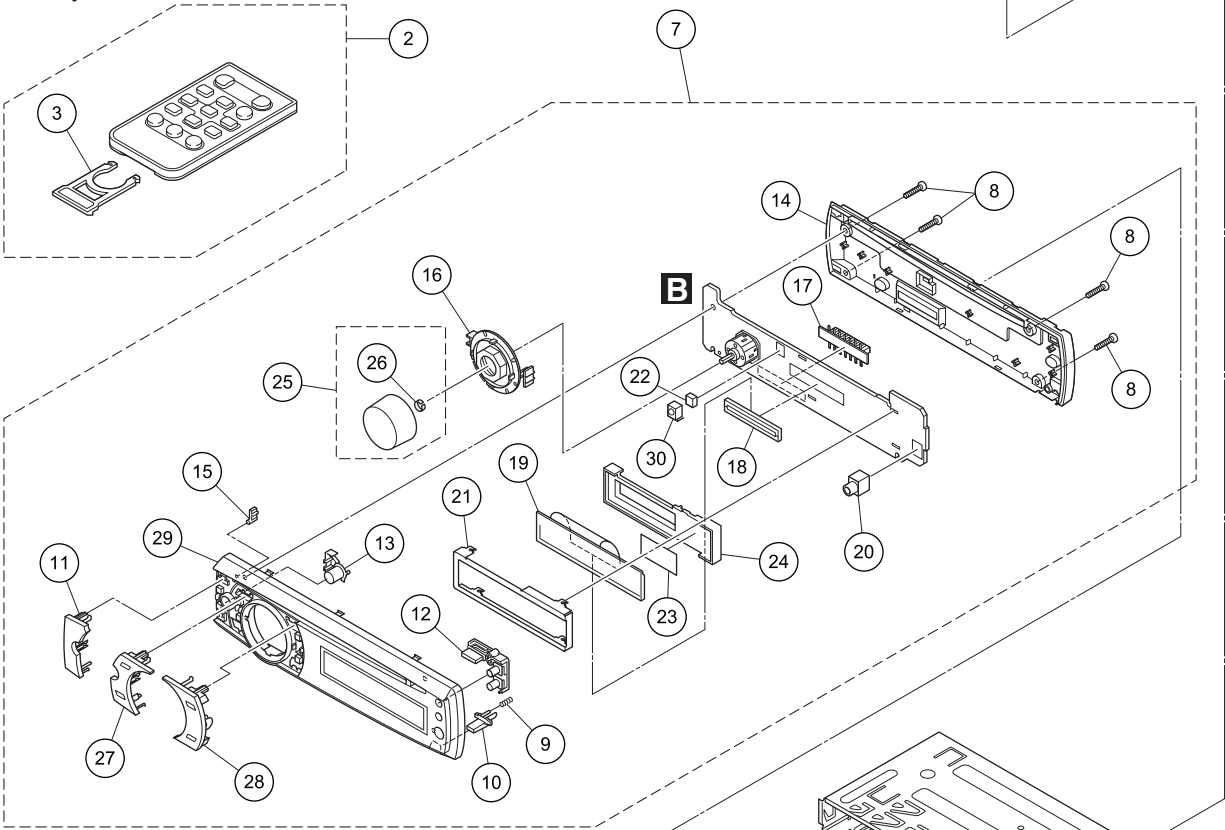
<NOTE> Sheet, #43 has to be replaced if it is removed.

# 9.3 EXTERIOR(2)

A



B

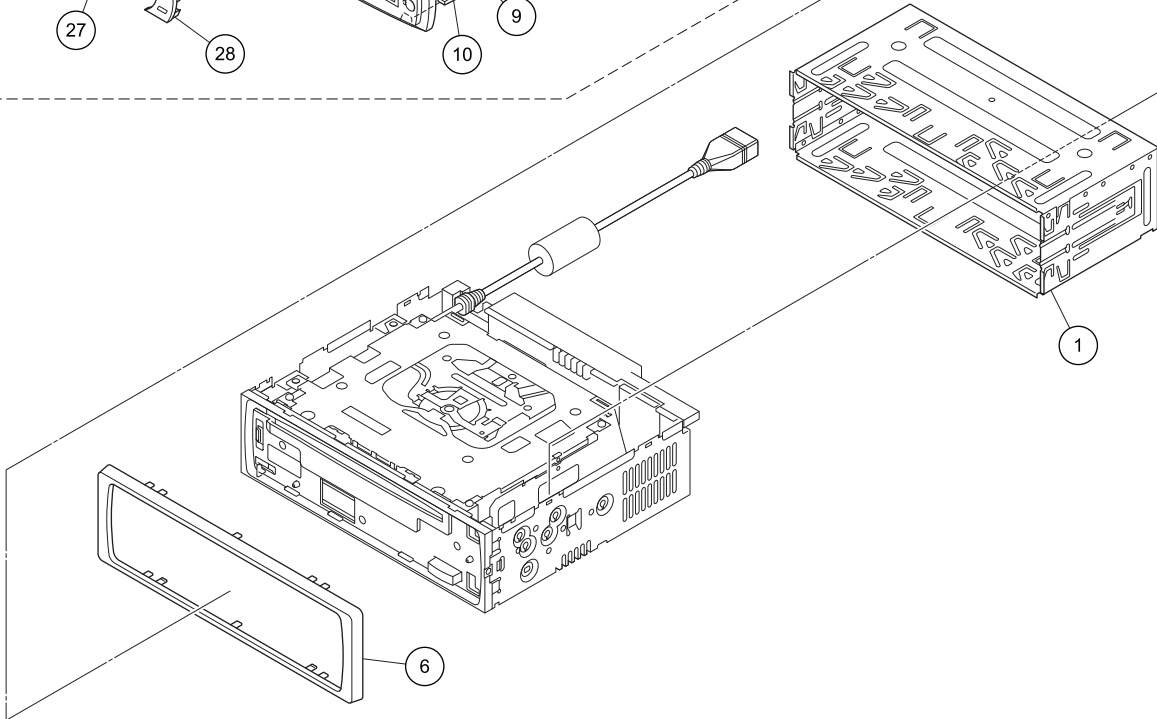


C

D

E

F



**(1) EXTERIOR(2) SECTION PARTS LIST**

<u>Mark No.</u>	<u>Description</u>	<u>Part No.</u>	<u>Mark No.</u>	<u>Description</u>	<u>Part No.</u>
1	Holder	CND3598	16	Lighting Conductor	YNV5126
2	Remote Control Assy	CXC8885	17	Connector(CN1801)	CKS5663
3	Cover	CNS7068	18	Connector(CN1803)	CKS5865
4	Cord Assy	XDP7001	19	OLED	MXS8250
5	Case	YNB5014	20	Jack(CN1802)	YKN5001
6	Panel	See Contrast table(2)	21	Holder	YNC5048
7	Detachable Assy	See Contrast table(2)	22	Cushion	YNM5029
8	Screw	BPZ20P100FTB	23	Double Sided Tape	YNM5092
9	Spring	CBH2210	24	Holder	YNV5129
10	Button(Detach)	YAC5231	25	Knob Unit	YXA5298
11	Button(SOURCE, BAND)	YAC5243	26	Spring	YBL5013
12	Button(EJECT, CLOCK, SW/BASS)	YAC5244	27	Button Unit(DISP, RDM)	YXA5324
13	Button(LIST)	YAC5245	28	Button Unit(S.Rtrv, RPT)	See Contrast table(2)
14	Cover	YNS5394	29	Grille Unit	See Contrast table(2)
15	Lighting Conductor	YNV5165	30	IC(IC1801)	GP1UX51RK

**(2) CONTRAST TABLE**

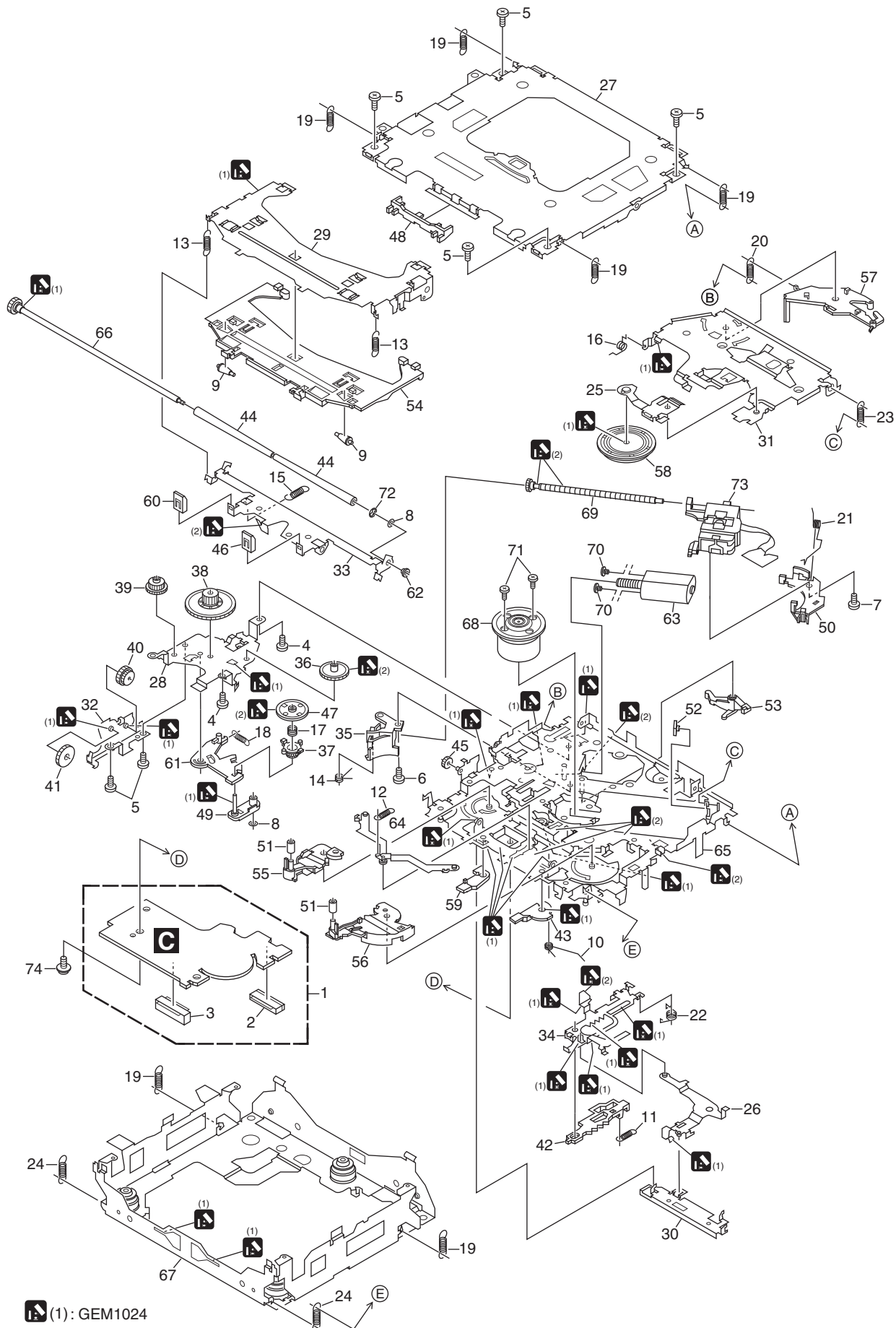
DEH-P400UB/XS/UC, DEH-P4000UB/XS/UC, DEH-P4050UB/XS/ES and DEH-P4050UB/XU/CN5 are constructed the same except for the following:

Mark	No.	Description	DEH-P400UB/XS/UC	DEH-P4000UB/XS/UC	DEH-P4050UB/XS/ES	DEH-P4050UB/XU/CN5
	6	Panel	YNS5313	YNS5390	YNS5390	YNS5390
	7	Detachable Assy	YXA5271	YXA5272	YXA5273	YXA5274
	28	Button Unit(S.Rtrv, RPT)	YXA5325	YXA5325	YXA5426	YXA5426
	29	Grille Unit	YXA5327	YXA5326	YXA5394	YXA5394

# 9.4 CD MECHANISM MODULE

1  
2  
3  
4

A  
B  
C  
D  
E  
F



(1): GEM1024  
 (2): GEM1045

## CD MECHANISM MODULE SECTION PARTS LIST

<u>Mark No.</u>	<u>Description</u>	<u>Part No.</u>	<u>Mark No.</u>	<u>Description</u>	<u>Part No.</u>
1	CD Core Unit(S10.5COMP2-iPod)	CWX3526	50	Rack	CNV8342
2	Connector(CN101)	CKS4911			
3	Connector(CN701)	CKS4915	51	Roller	CNV8343
4	Screw	BMZ20P025FTC	52	Holder	CNV8344
5	Screw	BSZ20P040FTC	53	Arm	CNV8345
			54	Guide	CNV9498
6	Screw(M2 x 3)	CBA1511	55	Arm	CNV8348
7	Screw(M2 x 4)	CBA1835			
8	Washer	CBF1038	56	Arm	CNV8349
9	Roller	CNV9499	57	Arm	CNV8350
10	Spring	CBH2609	58	Clamper	CNV8365
			59	Arm	CNV8386
11	Spring	CBH2612	60	Guide	CNV8396
12	Spring	CBH2614			
13	Spring	CBH2616	61	Arm	CNV9521
14	Spring	CBH2617	62	Collar	CNV8447
15	Spring	CBH2620	63	Motor Unit(M2)	CXC4026
			64	Arm Unit	CXC4027
16	Spring	CBH2855	65	Chassis Unit	CXC4028
17	Spring	CBH2937			
18	Spring	CBH2735	66	Gear Unit	CXC4029
19	Spring	CBH2854	67	Frame Unit	CXC4031
20	Spring	CBH2642	68	Motor Unit(M1)	CXC7134
			69	Screw Unit	CXC6359
21	Spring	CBH2856	70	Screw	JFZ20P025FTC
22	Spring	CBH2857			
23	Spring	CBH2860	71	Screw	JGZ17P022FTC
24	Spring	CBH2861	72	Washer	YE20FTC
25	Spring	CBL1686	73	Pickup Unit(P10.5)(Service)	CXX1942
			74	Screw	IMS26P030FTC
26	Arm	CND1909			
27	Frame	CND2582			
28	Bracket	CND2583			
29	Arm	CND3831			
30	Lever	CND2585			
31	Arm	CND2586			
32	Bracket	CND2587			
33	Arm	CND2588			
34	Lever	CND2589			
35	Holder	CNV9522			
36	Gear	CNV7207			
37	Gear	CNV9513			
38	Gear	CNV7209			
39	Gear	CNV9514			
40	Gear	CNV9515			
41	Gear	CNV9516			
42	Rack	CNV9517			
43	Arm	CNV7216			
44	Roller	CNV8189			
45	Gear	CNV9518			
46	Guide	CNV9519			
47	Gear	CNV7595			
48	Guide	CNV9520			
49	Arm	CNV7805			

# 12. ELECTRICAL PARTS LIST

**NOTE:**

- Parts whose parts numbers are omitted are subject to being not supplied.
- The part numbers shown below indicate chip components.

Chip Resistor

RS1/○S○○○○J,RS1/○○S○○○○J

Chip Capacitor (except for CQS.....)

CKS....., CCS....., CSZS.....

- The  $\triangle$  mark found on some component parts indicates the importance of the safety factor of the part. Therefore, when replacing, be sure to use parts of identical designation.
- Meaning of the figures and others in the parentheses in the parts list.

Example) IC 301 is on the point (face A, 91 of x-axis, and 111 of y-axis) of the corresponding PC board.

IC 301 (A, 91, 111) IC NJM2068V

Circuit Symbol and No.

Part No.

Circuit Symbol and No.

Part No.

**Unit Number: YWM5171**

**(A:DEH-P400UB/XS/UC)**

**Unit Number: YWM5173**

**(B:DEH-P4000UB/XS/UC)**

**Unit Number: YWM5177**

**(C:DEH-P4050UB/XS/ES)**

**Unit Number: YWM5179**

**(D:DEH-P4050UB/XU/CN5)**

**Unit Name : Tuner Amp Unit**

**Unit Number: (A:DEH-P400UB/XS/UC)**

**Unit Number: (B:DEH-P4000UB/XS/UC)**

**Unit Number: (C:DEH-P4050UB/XS/ES)**

**Unit Number: (D:DEH-P4050UB/XU/CN5)**

**Unit Name : Keyboard Unit**

**Unit Number: CWX3526**

**Unit Name : CD Core Unit**

**(S10.5COMP2-iPod)**

**A**

**Unit Number: YWM5171**

**(A:DEH-P400UB/XS/UC)**

**Unit Number: YWM5173**

**(B:DEH-P4000UB/XS/UC)**

**Unit Number: YWM5177**

**(C:DEH-P4050UB/XS/ES)**

**Unit Number: YWM5179**

**(D:DEH-P4050UB/XU/CN5)**

**Unit Name : Tuner Amp Unit**

**MISCELLANEOUS**

IC 101	(B,77,63) IC	HA12241FP
IC 151	(B,135,85) IC	PML018A
IC 171	(B,148,26) IC	NJM2360M
IC 251	(B,44,69) IC	R5523N001B
IC 301	(A,105,139) IC	PAL007C
IC 401	(B,165,29) IC	NJM2885DL1-33
IC 501	(B,16,32) Regulator IC	BD9781HFP
IC 601	(B,96,58) IC	PEG407A
IC 702	(B,58,29) IC	NJM2885DL1-33
IC 921	(A,6,120) IC	NJM2388F84
IC 961	(B,98,33) IC	S-80835CNMC-B8U
Q 101	(B,40,96) Transistor	2SA1576A
Q 102	(B,31,115) Transistor	RT1N141M-11
Q 171	(B,129,30) Transistor	RT3T22M
Q 172	(B,126,35) Transistor	2SD1767
Q 181	(B,137,72) Transistor	RT3T22M
Q 182	(B,130,68) Transistor	2SC4081
Q 351	(B,166,126) Transistor	RT3N66M
Q 352	(B,140,122) Transistor	RT3N66M
Q 353	(B,135,125) Transistor	RT3N66M
Q 451	(B,117,119) Transistor	RT1N241M
Q 453	(B,116,116) Transistor	RT3T22M
Q 701	(B,20,60) Transistor	RT3T22M
Q 702	(A,7,70) Transistor	2SD2396
Q 841	(B,131,23) Transistor	2SA1036K
Q 842	(B,139,17) Transistor	RT1N141M-11
Q 851	(B,33,16) Transistor	2SA1036K
Q 852	(B,24,16) Transistor	RT1N141M-11
Q 911	(A,7,104) Transistor	2SD2396
Q 912	(B,16,73) Transistor	RT3T22M
Q 931	(B,64,94) Transistor	RT3CLLM
Q 971	(B,87,94) Transistor	RT1N141M-11
D 171	(A,131,37) Diode	MTZJA10(B)
D 172	(B,139,29) Diode	RB551V-30
D 173	(B,99,74) Diode	MC2848-11
D 181	(A,138,69) Diode	HZS12L(B1)
D 251	(B,50,60) Diode	EZJZ1V800AM
D 252	(B,51,61) Diode	EZJZ1V800AM
D 454	(A,94,105) Diode	1SS133

<u>Circuit Symbol and No.</u>		<u>Part No.</u>	<u>Circuit Symbol and No.</u>		<u>Part No.</u>
D 501	(B,22,44) Diode	RB060L-40	R 171	(B,130,33)	RS1/16S122J
D 502	(A,16,58) Diode	S5688G	R 172	(B,123,29)	RS1/16S122J
D 701	(A,26,65) Diode	HZS7L(C3)	R 173	(B,146,32)	RS1/16S1R0J
D 801	(B,63,6) Diode	EZJZ1V270RM	R 174	(B,144,30)	RS1/16S681J
D 802	(B,64,6) Diode	EZJZ1V270RM	R 175	(B,134,33)	RS1/16S821J
D 803	(B,68,6) Diode	EZJZ1V270RM	R 176	(B,134,30)	RS1/16S102J
D 805	(B,74,6) Diode	EZJZ1V270RM	R 177	(B,140,34)	RS1/10S4701F
D 806	(B,78,6) Diode	EZJZ1V270RM	R 181	(B,133,67)	RS1/16S391J
D 808	(B,72,6) Diode	EZJZ1V270RM	R 254	(B,45,72)	RS1/16S681J
D 809	(B,80,14) Diode	EZJZ1V270RM	R 257	(B,58,52)	RS1/16S103J
D 901	(A,74,111) Diode	S5688G	R 301	(B,124,111)	RS1/16S682J
D 902	(A,78,107) Diode	S5688G	R 302	(B,137,109)	RS1/16S123J
D 903	(A,62,103) Diode	S5688G	R 303	(B,128,109)	RS1/16S682J
D 904	(A,59,103) Diode	S5688G	R 304	(B,140,109)	RS1/16S682J
D 911	(A,16,81) Diode	S5688G	R 305	(B,126,109)	RS1/16S123J
D 912	(A,16,75) Diode	HZS6L(B2)	R 306	(B,134,109)	RS1/16S682J
D 931	(A,55,96) Diode	HZS7L(C3)	R 307	(B,123,109)	RS1/16S123J
D 932	(A,54,93) Diode	HZS7L(A1)	R 308	(B,141,109)	RS1/16S123J
D 971	(A,68,103) Diode	1SS133	R 309	(A,98,107)	RD1/4PU153J
ZNR401	(B,165,113) Surge Protector	IMSA-6801-01Y901	R 351	(B,159,115)	RS1/16S390J
L 101	(A,76,69) Inductor	LAU2R2K	R 352	(B,156,120)	RS1/16S0R0J
L 161	(A,122,99) Inductor	LAU2R2K	R 353	(B,131,109)	RS1/16S390J
L 171	(A,146,32) Inductor	YTF5001	R 354	(B,132,109)	RS1/16S390J
L 181	(A,138,61) Ferri-Inductor	LAU100K	R 355	(B,136,122)	RS1/16S390J
L 251	(B,52,55) Inductor	DTH1197	R 356	(B,132,97)	RS1/16S390J
L 401	(A,150,91) Inductor	LAU1R0K	R 358	(B,131,129)	RS1/16S390J
L 402	(B,159,106) Inductor	LCTAW220J2520	R 359	(B,163,133)	RS1/16S223J
L 403	(A,156,34) Inductor	LAU1R0K	R 360	(B,159,132)	RS1/16S223J
L 501	(A,29,41) Inductor	YTF5003	R 361	(B,158,117)	RS1/16S223J
L 601	(A,94,41) Ferri-Inductor	LAU100K	R 362	(B,159,136)	RS1/16S223J
L 602	(A,104,34) Inductor	LAU2R2K	R 363	(B,134,129)	RS1/16S223J
L 852	(A,37,16) Inductor	LAU2R2K	R 364	(B,137,129)	RS1/16S223J
L 901	(A,39,103) Choke Coil 600 $\mu$ H	CTH1280	R 381	(B,136,129)	RS1/16S0R0J
X 601	(A,84,44) Oscillator 15.000 MHz	YSS5002	R 382	(B,140,126)	RS1/16S0R0J
$\Delta$ FU353	(B,131,133) Fuse 3 A	CEK1286	R 383	(B,140,124)	RS1/16S0R0J
BZ601	(A,29,17) Buzzer	CPV1062	R 384	(B,148,118)	RS1/16S0R0J
Y 401	(A,163,101) FM/AM Tuner Unit	CWE2098	R 385	(B,148,116)	RS1/16S0R0J
			R 386	(B,144,124)	RS1/16S0R0J
			R 391	(B,143,126)	RS1/16S0R0J
			R 392	(B,144,130)	RS1/16S0R0J
<b>RESISTORS</b>					
R 101	(B,31,123)	RS1/16S181J	R 401	(B,152,54)	RS1/16S681J
R 102	(B,34,114)	RS1/16S222J	R 403	(B,156,85)	RS1/16S681J
R 103	(B,25,129)	RS1/16S181J	R 404	(B,157,88)	RS1/16S681J
R 104	(B,36,134)	RS1/16S101J	R 405	(B,157,90)	RS1/16S681J
R 105	(B,33,135)	RS1/16S101J	R 406	(B,156,91)	RS1/16S681J
R 106	(B,30,122)	RS1/16S223J	R 407	(B,156,93)	RS1/16S0R0J
R 107	(B,25,125)	RS1/16S223J	R 414	(A,157,24)	RD1/4PU4R7J
R 108	(B,27,125)	RS1/16S102J	R 421	(B,155,86)	RS1/16S0R0J
R 109	(B,28,122)	RS1/16S102J	R 451	(B,121,118)	RS1/16S103J
R 110	(B,37,96)	RS1/16S332J	R 452	(B,119,122)	RS1/16S221J
R 111	(B,32,112)	RS1/16S562J	R 453	(B,121,126)	RS1/16S153J
R 112	(B,74,72)	RS1/16S102J	R 454	(A,117,112)	RD1/4PU102J
R 113	(B,81,66)	RS1/16S472J	R 502	(B,26,25)	RS1/16S3302F
R 114	(B,78,59)	RS1/16S472J	R 503	(B,24,27)	RS1/16S333J
R 116	(B,31,135)	RS1/16S470J	R 505	(B,28,32)	RS1/16S8201F
R 117	(B,30,135)	RS1/16S150J	R 506	(B,27,31)	RS1/16S683J
R 118	(B,66,75)	RS1/16S0R0J	R 507	(B,82,57)	RS1/16S222J
R 151	(B,146,89)	RS1/16S102J	R 510	(B,28,45)	RS1/16S823J
R 152	(B,147,87)	RS1/16S102J	R 511	(B,28,22)	RS1/10SR471J
R 153	(B,145,86)	RS1/16S102J			

**Circuit Symbol and No.****Part No.****Circuit Symbol and No.****Part No.**

R 512	(B,53,22)	RS1/16S0R0J
R 513	(B,32,22)	RS1/16S222J
R 602	(B,83,49)	RS1/16S103J
A R 603	(B,98,86) (A,B)	RS1/16S103J
R 604	(B,109,62)	RS1/16S681J
R 605	(B,113,59)	RS1/16S681J
R 606	(B,103,29) (A,B)	RS1/16S103J
R 607	(B,110,60)	RS1/16S681J
R 608	(B,107,41) (B,C,D)	RS1/16S104J
R 609	(B,105,43) (A,C,D)	RS1/16S104J
	(B,105,43) (B)	RS1/16S473J
R 610	(B,106,66)	RS1/16S473J
R 613	(B,110,83)	RS1/16S104J
R 616	(B,36,27)	RS1/16S473J
B R 617	(B,42,64)	RS1/16S473J
R 618	(B,74,59)	RS1/16S102J
R 620	(B,109,66)	RS1/16S0R0J
R 621	(B,14,140) (A,B)	RS1/16S102J
R 622	(B,12,140) (A,B)	RS1/16S102J
R 627	(B,114,92)	RS1/16S102J
R 628	(B,13,136) (C,D)	RS1/16S104J
R 629	(B,14,136) (C,D)	RS1/16S104J
R 701	(A,16,63)	RD1/4PU271J
R 703	(B,49,43)	RS1/16S472J
R 704	(B,32,26)	RS1/16S104J
C R 705	(B,49,46)	RS1/16S472J
R 706	(B,49,48)	RS1/16S104J
R 707	(B,36,29)	RS1/16S104J
R 708	(B,47,51)	RS1/16S221J
R 709	(B,36,24)	RS1/16S102J
R 710	(B,49,45)	RS1/16S221J
R 711	(B,37,40)	RS1/16S221J
R 712	(B,49,42)	RS1/16S221J
R 713	(B,35,26)	RS1/16S221J
R 714	(B,46,54)	RS1/16S104J
R 806	(B,62,17)	RS1/16S222J
D R 807	(B,62,19)	RS1/16S222J
R 808	(B,82,39)	RS1/16S104J
R 816	(B,118,19)	RS1/16S1R0J
R 825	(B,77,49)	RS1/16S102J
R 832	(B,49,10)	RS1/16S0R0J
R 834	(B,128,41)	RS1/16S1R0J
R 835	(B,100,15)	RS1/16S0R0J
R 841	(B,134,23)	RS1/16S103J
R 842	(B,135,23)	RS1/16S472J
R 851	(B,34,19)	RS1/16S153J
E R 852	(B,24,19)	RS1/16S472J
R 853	(B,44,8)	RS1/16S222J
R 911	(B,20,71)	RS1/16S223J
R 912	(A,16,78)	RD1/4PU152J
R 922	(B,11,110)	RS1/16S473J
R 930	(B,107,84)	RS1/16S104J
R 931	(B,82,50)	RS1/16S104J
R 932	(B,113,78)	RS1/16S104J
R 933	(B,64,96)	RS1/16S104J
R 934	(B,64,98)	RS1/16S473J
F R 935	(B,61,91)	RS1/16S473J
R 936	(B,60,98)	RS1/16S473J
R 937	(B,63,118)	RS1/16S472J
R 938	(B,59,125)	RS1/4SA102J
R 951	(B,106,106)	RS1/16S473J

R 962	(B,102,33)	RS1/16S822J
R 967	(B,90,36)	RS1/16S102J
R 971	(B,62,125)	RS1/4SA102J
R 972	(B,75,100)	RS1/16S103J

**CAPACITORS**

C 101	(B,28,135)	CKSRYB104K25
C 104	(B,74,71)	CKSRYB103K50
C 151	(B,145,76)	CKSRYB105K10
C 152	(B,145,79)	CKSRYB105K10
C 153	(B,159,74)	CKSRYB224K10
C 154	(B,145,78)	CKSRYB105K10
C 155	(B,163,72)	CKSRYB224K10
C 156	(B,119,80)	CKSRYB105K10
C 157	(B,119,86)	CKSRYB105K10
C 158	(B,119,90)	CKSRYB105K10
C 159	(B,119,79)	CKSRYB105K10
C 160	(A,124,83)	CEJQ100M16
C 162	(A,124,89)	CEJQ470M10
C 163	(B,124,86)	CKSRYB104K25
C 165	(A,135,98)	CEJQ100M16
C 171	(B,125,30)	CKSRYB104K25
C 172	(A,132,27)	CEJQ101M16
C 173	(B,139,23)	CKSRYB104K25
C 174	(A,140,25)	CEJQ101M16
C 175	(B,140,27)	CCSRCH471J50
C 176	(B,138,32)	CKSRYB223K25
C 177	(A,135,37)	CEJQ470M16
C 181	(B,141,72)	CKSRYB473K25
C 182	(B,129,73)	CKSRYB104K25
C 183	(A,132,72)	CEJQ470M16
C 251	(B,50,68)	CKSRYB104K25
C 252	(B,44,63)	CKSRYB104K25
C 253	(B,42,66)	CKSRYB103K50
C 305	(B,135,113)	CKSQYB474K25
C 306	(B,127,113)	CKSQYB474K25
C 307	(B,129,113)	CKSQYB474K25
C 308	(B,132,113)	CKSQYB474K25
C 309	(B,125,135)	CKSQYB225K10
C 310	(B,127,132)	CKSQYB225K10
C 311	(A,103,127)	CEJQ100M16
C 313	(A,51,124) 3 300 µF/16 V	CCH1494
C 315	(B,134,117)	CKSRYB474K10
C 316	(B,125,114)	CKSRYB474K10
C 317	(B,123,114)	CKSRYB474K10
C 318	(B,131,117)	CKSRYB474K10
C 351	(A,130,98)	CEJQ2R2M50
C 352	(A,141,98)	CEJQ2R2M50
C 353	(A,135,103)	CEJQ2R2M50
C 354	(A,140,103)	CEJQ2R2M50
C 355	(A,130,103)	CEJQ2R2M50
C 356	(A,147,104)	CEJQ2R2M50
C 401	(A,155,55)	CEJQ470M6R3
C 402	(B,158,56)	CKSRYB103K50
C 403	(B,157,38)	CKSRYB103K50
C 405	(A,154,102)	CEJQ101M10
C 406	(B,167,94)	CKSRYB104K25
C 407	(B,159,68)	CKSRYB103K50
C 408	(A,157,30)	CEJQ220M10

**Circuit Symbol and No.**

**Part No.**

**Circuit Symbol and No.**

**Part No.**

C 410 (B,157,26)  
 C 411 (B,167,92) (A,B,C)  
 C 412 (B,128,136)  
 C 451 (A,119,126)  
 C 501 (A,29,27) 150 µF/6.3 V

CKSRYB474K10  
 CCSRCH470J50  
 CKSRYB105K10  
 CEJQ330M10  
 CCH1781

D 1805 (A,21,10) LED  
 D 1806 (A,14,19) LED(A,C,D)  
 (A,14,19) LED(B)  
 D 1807 (A,32,14) LED(A,C,D)  
 (A,32,14) LED(B)

CL-197HB1-D(CDE)  
 CL-197HB1-D(CDE)  
 SML-310PT  
 CL-197HB1-D(CDE)  
 SML-310PT

C 502 (A,17,50)  
 C 503 (B,24,23)  
 C 504 (B,17,54)  
 C 505 (B,25,31)  
 C 506 (B,27,36)  
 C 507 (B,28,44)

CEJQ221M16  
 CCSRCH221J50  
 CKSRYB105K16  
 CCSRCH101J50  
 CKSRYB332K50  
 CKSRYB104K25

D 1808 (A,16,56) LED(A,C,D)  
 (A,16,56) LED(B)  
 D 1809 (A,35,56) LED(A,C,D)  
 (A,35,56) LED(B)  
 D 1810 (A,5,147) LED(A,C,D)  
 (A,5,147) LED(B)

CL-197HB1-D(CDE)  
 SML-310PT  
 CL-197HB1-D(CDE)  
 SML-310PT  
 CL-197HB1-D(CDE)  
 SML-310PT

C 508 (B,29,22)  
 C 601 (B,83,46)  
 C 602 (B,87,46)  
 C 604 (B,101,43)  
 C 605 (A,103,40)

CKSRYB105K10  
 CCSRCH180J50  
 CCSRCH180J50  
 CKSRYB105K10  
 CEJQ100M16

D 1811 (A,7,159) LED(A,C,D)  
 (A,7,159) LED(B)  
 D 1812 (A,15,159) LED(A,C,D)  
 (A,15,159) LED(B)  
 D 1813 (A,12,35) LED

CL-197HB1-D(CDE)  
 SML-310PT  
 CL-197HB1-D(CDE)  
 SML-310PT  
 CL-197HB1-D(CDE)

C 606 (B,112,34)  
 C 607 (A,97,37)  
 C 609 (B,110,65)  
 C 623 (B,111,93)  
 C 701 (B,21,58)

CKSRYB104K25  
 CEJQ100M16  
 CCSRCH470J50  
 CKSRYB104K25  
 CKSRYB473K25

D 1814 (A,28,22) LED  
 D 1815 (A,41,38) LED  
 D 1816 (A,25,50) LED  
 D 1817 (B,20,140) Diode  
 D 1836 (A,4,7) LED(B)

CL-197HB1-D(CDE)  
 CL-197HB1-D(CDE)  
 CL-197HB1-D(CDE)  
 1SS355  
 SML-310PT

C 703 (A,24,53)  
 C 704 (B,145,68)  
 C 705 (B,127,84)  
 C 708 (A,39,27)  
 C 709 (B,48,29)

CEJQ101M10  
 CKSRYB105K10  
 CKSRYB105K10  
 CEJQ220M10  
 CKSRYB105K10

X 1801 (B,18,134) Radiator 10.0 MHz CSS1577  
 S 1801 (A,35,15) Push Switch CSG1155  
 S 1802 (A,34,6) Push Switch CSG1155  
 S 1803 (A,8,7) Push Switch CSG1155  
 S 1804 (A,11,18) Push Switch CSG1155

CL-197HB1-D(CDE)  
 CL-197HB1-D(CDE)  
 CL-197HB1-D(CDE)  
 1SS355  
 SML-310PT

C 710 (B,45,28)  
 C 720 (B,39,53)  
 C 851 (B,25,13)  
 C 901 (B,54,117)  
 C 911 (A,15,69)

CKSRYB474K10  
 CKSRYB105K10  
 CKSRYB104K25  
 CKSRYB104K25  
 CEJQ470M10

S 1805 (A,13,55) Push Switch CSG1155  
 S 1806 (A,8,146) Push Switch CSG1155  
 S 1807 (A,22,14) Push Switch CSG1155  
 S 1808 (A,11,159) Push Switch CSG1155  
 S 1809 (A,19,159) Push Switch CSG1155

CL-197HB1-D(CDE)  
 CL-197HB1-D(CDE)  
 CL-197HB1-D(CDE)  
 CSG1155  
 CSG1155

C 912 (B,21,74)  
 C 913 (A,24,74)  
 C 921 (B,12,112)  
 C 922 (A,18,99)  
 C 923 (A,16,117)

CKSRYB103K50  
 CEAT102M16  
 CKSRYB103K50  
 CEJQ221M10  
 CEJQ101M16

S 1810 (A,38,56) Push Switch CSG1155  
 S 1811 (A,26,36) Switch CSX1120

CL-197HB1-D(CDE)  
 CL-197HB1-D(CDE)  
 CL-197HB1-D(CDE)  
 CSG1155  
 CSX1120

**RESISTORS**

C 924 (B,15,115)  
 C 961 (B,101,36)  
 C 962 (A,93,33)  
 C 971 (A,89,97)

CKSRYB103K50  
 CKSRYB473K25  
 CEJQ100M16  
 CEJQ1R0M50

R 1801 (B,14,85) RS1/16S222J  
 R 1802 (B,13,85) RS1/16S222J  
 R 1804 (B,26,72) RS1/16S101J  
 R 1805 (B,17,70) RS1/16S103J  
 R 1806 (B,14,65) RS1/16S2R2J

R 1807 (B,26,138) RS1/16S102J  
 R 1808 (B,26,23) RS1/16S333J  
 R 1809 (B,22,23) RS1/16S822J  
 R 1810 (B,22,21) RS1/16S332J  
 R 1811 (B,14,23) RS1/16S102J

R 1812 (B,26,21) RS1/16S222J  
 R 1813 (B,32,17) RS1/16S103J  
 R 1814 (B,14,120) RS1/16S103J  
 R 1815 (B,25,135) RS1/16S103J  
 R 1816 (B,27,135) RS1/16S103J

**B**

**Unit Number : (A:DEH-P400UB/XS/UC)**  
**Unit Number : (B:DEH-P4000UB/XS/UC)**  
**Unit Number : (C:DEH-P4050UB/XS/ES)**  
**Unit Number : (D:DEH-P4050UB/XU/CN5)**  
**Unit Name : Keyboard Unit**

**MISCELLANEOUS**

IC 1801 (A,15,66) Remote IC  
 IC 1802 (B,18,127) IC  
 IC 1803 (B,28,109) IC  
 Q 1802 (B,36,138) Transistor  
 D 1801 (B,14,111) Diode

GP1UX51RK  
 PEG412A  
 PML019A  
 2SC2412K  
 MC2846-11

R 1817 (B,29,135) RS1/16S103J  
 R 1818 (B,37,15) RS1/16S333J  
 R 1819 (B,11,5) RS1/16S822J  
 R 1820 (B,9,6) RS1/16S332J  
 R 1821 (B,14,21) RS1/16S222J

D 1802 (B,14,116) Diode  
 D 1803 (A,10,9) LED(A,C,D)  
 (A,10,9) LED(B)  
 D 1804 (A,31,6) LED(A,C,D)  
 (A,31,6) LED(B)

MC2848-11  
 CL-197HB1-D(CDE)  
 SML-310PT  
 CL-197HB1-D(CDE)  
 SML-310PT

R 1822 (B,6,153) RS1/16S333J  
 R 1823 (B,9,158) RS1/16S822J  
 R 1824 (B,10,155) RS1/16S332J  
 R 1825 (B,30,138) RS1/16S222J

**Circuit Symbol and No.****Part No.****Circuit Symbol and No.****Part No.**

R 1826 (B,34,14) (A,C,D)  
(B,34,14) (B)

RS1/4SA272J  
RS1/4SA102J



**Unit Number : CWX3526**

**Unit Name : CD Core Unit**

**(S10.5COMP2-iPod)**

A R 1827 (B,23,9)  
R 1828 (B,20,17) (A,C,D)  
(B,20,17) (B)  
R 1829 (B,7,148) (A,C,D)  
(B,7,148) (B)

RS1/4SA222J  
RS1/4SA392J  
RS1/4SA102J  
RS1/4SA392J  
RS1/4SA102J

**MISCELLANEOUS**

R 1830 (B,10,150) (A,C,D)  
(B,10,150) (B)  
R 1831 (B,35,21)  
R 1832 (B,37,29)  
R 1833 (B,14,18) (B)

RS1/4SA392J  
RS1/4SA102J  
RS1/4SA272J  
RS1/4SA272J  
RS1/4SA122J

IC 201 (A,36,46) IC PE5611B  
IC 205 (B,25,47) IC 341S2094  
IC 301 (A,29,15) IC BA5839FP  
Q 101 (B,58,70) Transistor 2SA1577  
Q 102 (B,49,58) Chip Transistor 2SB1689

B R 1834 (B,28,146)  
R 1835 (B,32,149)  
R 1836 (B,32,146)  
R 1837 (B,32,140)  
R 1840 (B,23,137)

RS1/16S393J  
RS1/16S683J  
RS1/16S682J  
RS1/16S392J  
RS1/16S103J

Q 201 (B,27,54) Transistor 2SA1577  
X 201 (A,23,38) Ceramic Resonator 16.934 MHz CSS1603  
X 204 (B,17,45) Oscillator 32.768 kHz CSS1735  
X 205 (B,34,63) Oscillator 48.000 MHz CSS1753  
S 901 (A,55,37) Switch(HOME) CSN1067

R 1841 (B,22,137)  
R 1842 (B,20,143)  
R 1843 (B,20,141)  
R 1844 (B,35,131)  
R 1845 (B,31,124)

RS1/16S473J  
RS1/16S473J  
RS1/16S154J  
RS1/16S473J  
RS1/16S101J

S 903 (B,20,59) Switch(DSCSNS) CSN1067  
S 904 (B,41,68) Switch(12EJ) CSN1068  
S 905 (B,25,70) Switch(8EJ) CSN1068

**RESISTORS**

R 1846 (B,34,124)  
R 1847 (B,36,124)  
C R 1848 (B,33,124)  
R 1849 (B,30,124)  
R 1850 (B,39,115)

RS1/16S101J  
RS1/16S101J  
RS1/16S101J  
RS1/16S101J  
RS1/16S1802D

R 101 (B,61,74) RS1/10SR2R4J  
R 102 (B,61,72) RS1/10SR2R4J  
R 103 (B,61,71) RS1/10SR2R7J  
R 104 (B,54,67) RS1/16SS222J  
R 105 (B,45,58) RS1/16SS102J

R 1852 (B,36,150)  
R 1863 (B,38,117)  
R 1864 (B,20,46)  
R 1867 (B,36,131)  
R 1868 (B,23,12) (A,C,D)  
(B,23,12) (B)

RS1/16S0R0J  
RS1/16S0R0J  
RS1/16S0R0J  
RS1/16S473J  
RS1/4SA562J  
RS1/4SA122J

R 107 (B,52,60) RS1/16SS105J  
R 202 (A,27,33) RS1/16SS473J  
R 203 (A,51,44) RS1/16S473J  
R 204 (A,24,58) RS1/16SS221J  
R 206 (B,10,27) RS1/16SS104J

R 1869 (B,13,83)  
R 1870 (B,17,53)  
D R 1871 (B,22,155)  
R 1872 (B,20,157)  
R 1873 (B,17,158)

RS1/16S0R0J  
RS1/16S0R0J  
RS1/16S101J  
RS1/16S101J  
RS1/16S223J

R 210 (B,10,23) RS1/16SS102J  
R 214 (B,50,50) RS1/16SS472J  
R 216 (B,49,49) RS1/16SS472J  
R 221 (A,51,48) RS1/16SS103J  
R 222 (A,51,46) RS1/16SS103J

R 1874 (B,13,160)

RS1/16S223J

R 223 (B,14,43) RS1/16SS473J  
R 225 (A,51,50) RS1/16SS103J  
R 226 (A,51,51) RS1/16SS393J  
R 227 (B,48,52) RS1/16SS562J  
R 228 (B,45,52) RS1/16SS122J

**CAPACITORS**

C 1804 (B,26,69) CKSYF106Z10  
C 1820 (B,40,103) CKSRYB104K50  
C 1821 (B,20,146) CKSRYB103K50  
C 1824 (B,18,136) CKSRYB104K50  
E C 1825 (B,31,121) CKSRYB105K10

CKSYF106Z10  
CKSRYB104K50  
CKSRYB103K50  
CKSRYB104K50  
CKSRYB105K10

R 229 (B,47,54) RS1/16SS472J  
R 230 (B,22,25) RS1/16SS0R0J  
R 232 (B,46,52) RS1/16SS122J  
R 233 (B,26,59) RS1/16SS103J  
R 234 (B,23,26) RS1/16SS473J

C 1925 (B,38,115) CKSRYB104K50  
C 1931 (B,16,158) CKSRYB472K50  
C 1932 (B,19,160) CKSRYB472K50

CKSRYB104K50  
CKSRYB472K50  
CKSRYB472K50

R 235 (A,26,59) RS1/16SS473J  
R 237 (A,24,35) RS1/16SS151J  
R 240 (B,14,26) RS1/16S473J  
R 241 (B,14,25) RS1/16SS103J  
R 244 (B,22,55) RS1/16SS473J

F R 1874 (B,13,160)

RS1/16S223J

R 250 (B,25,52) RS1/16SS101J  
R 251 (B,22,51) RS1/16SS101J  
R 252 (B,21,48) RS1/16SS101J  
R 254 (A,26,64) RS1/16SS104J  
R 255 (A,26,63) RS1/16SS104J

R 256 (A,26,62) RS1/16SS104J  
R 259 (A,28,66) RS1/16SS0R0J

**Circuit Symbol and No.**

R 261 (A,26,65)  
 R 262 (A,30,60)  
 R 263 (A,28,63)

R 273 (B,19,48)  
 R 274 (B,18,51)  
 R 275 (B,19,51)  
 R 276 (B,20,51)  
 R 277 (B,24,52)

R 278 (B,27,51)  
 R 279 (B,23,52)  
 R 282 (A,30,61)  
 R 283 (A,29,61)  
 R 284 (B,30,63)

R 285 (B,28,63)  
 R 289 (B,19,45)  
 R 291 (B,43,62)  
 R 292 (B,25,43)  
 R 293 (B,27,52)

R 294 (A,32,63)  
 R 295 (B,55,64)  
 R 307 (A,35,19)  
 R 308 (A,38,19)  
 R 309 (A,35,21)

R 310 (A,38,22)  
 R 601 (B,30,31)  
 R 602 (B,27,31)  
 R 606 (B,28,23)  
 R 701 (B,12,37)

R 702 (A,24,56)  
 R 708 (B,15,37)  
 R 712 (B,15,54)  
 R 713 (B,15,53)

**CAPACITORS**

C 106 (B,57,67)  
 C 202 (A,28,57)  
 C 204 (A,24,59)  
 C 205 (B,27,41)  
 C 206 (A,23,41)

C 207 (A,25,38)  
 C 209 (B,36,35)  
 C 210 (B,29,37)  
 C 211 (A,28,35)  
 C 212 (A,29,30)

C 213 (A,46,39)  
 C 214 (A,29,34)  
 C 216 (A,51,52)  
 C 217 (A,48,52)  
 C 218 (A,50,52)

C 219 (A,47,54)  
 C 220 (A,48,54)  
 C 221 (A,46,54)  
 C 222 (B,46,54)  
 C 223 (B,48,54)

C 224 (A,45,56)  
 C 226 (A,42,59)  
 C 227 (A,42,61)  
 C 228 (B,41,62)  
 C 229 (B,48,60)

**Part No.**

RS1/16SS104J  
 RS1/16SS0R0J  
 RS1/16SS0R0J

RS1/16SS103J  
 RS1/16SS104J  
 RS1/16SS104J  
 RS1/16SS104J  
 RS1/16SS103J

RS1/16SS1003D  
 RS1/16SS104J  
 RS1/16SS240J  
 RS1/16SS240J  
 RS1/16SS153J

RS1/16SS153J  
 RS1/16SS0R0J  
 RS1/16SS272J  
 RS1/16SS221J  
 RS1/16SS472J

RS1/16SS471J  
 RS1/16SS103J  
 RS1/16SS183J  
 RS1/16SS183J  
 RS1/16SS183J

RS1/16SS183J  
 RS1/16SS0R0J  
 RS1/16SS0R0J  
 RS1/16SS0R0J  
 RS1/16SS221J

RS1/16SS221J  
 RS1/16S0R0J  
 RS1/16SS0R0J  
 RS1/16SS0R0J

**Circuit Symbol and No.**

C 236 (A,50,58)  
 C 239 (B,47,52)  
 C 240 (A,38,61)  
 C 243 (B,22,41)  
 C 250 (A,52,48)

C 251 (A,52,46)  
 C 260 (A,28,61)  
 C 261 (B,34,67)  
 C 262 (B,32,66)  
 C 290 (B,22,43)

C 291 (B,17,42)  
 C 292 (B,17,48)  
 C 293 (B,44,61)  
 C 294 (B,25,41)  
 C 295 (B,56,61)

C 296 (B,56,63)  
 C 303 (A,36,19)  
 C 304 (A,36,21)  
 C 307 (A,22,11)  
 C 308 (B,11,18)

C 703 (B,15,35)  
 C 704 (B,12,36)  
 C 711 (A,31,25)

**Miscellaneous Parts List**

Pickup Unit(P10.5)(Service) CXX1942  
 M 1 Motor Unit(SPINDLE) CXC7134  
 M 2 Motor Unit(LOADING/CARRIAGE) CXC4026

**Part No.**

CKSSYB104K10  
 CCSSCH220J50  
 CKSSYB104K10  
 CKSQYB475K6R3  
 CKSSYB102K50

CKSSYB102K50  
 CKSSYB104K10  
 CCSSCH8R0D50  
 CCSSCH8R0D50  
 CKSSYB104K10

CCSSCH5R0C50  
 CCSSCH5R0C50  
 CKSSYB102K50  
 CKSSYB103K16  
 CKSQYB106K6R3

CKSQYB106K6R3  
 CKSSYB472K25  
 CKSSYB223K16  
 CKSRYB104K16  
 CKSRYB105K10

CCSSCH101J50  
 CKSSYB102K50  
 CKSSYB104K10