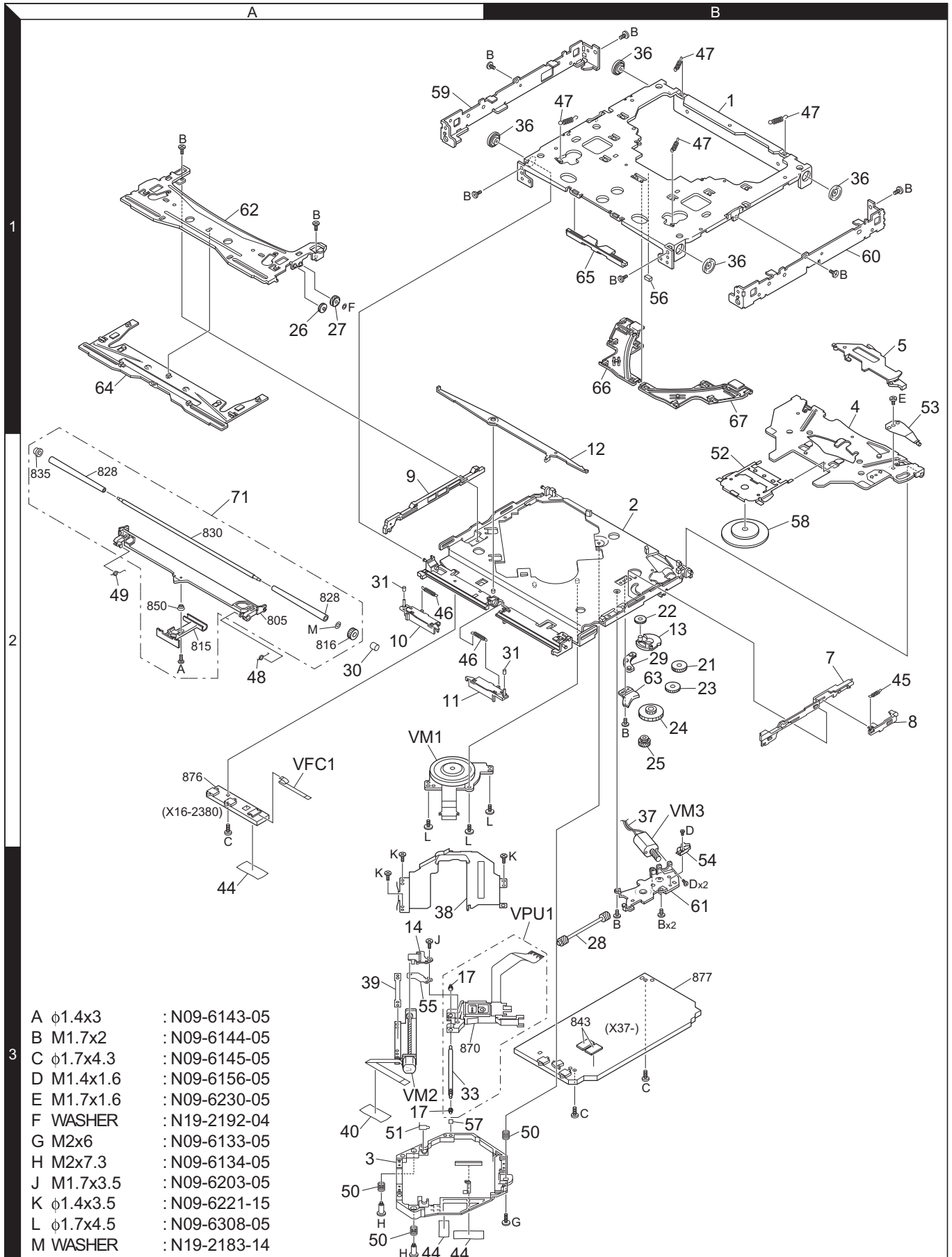
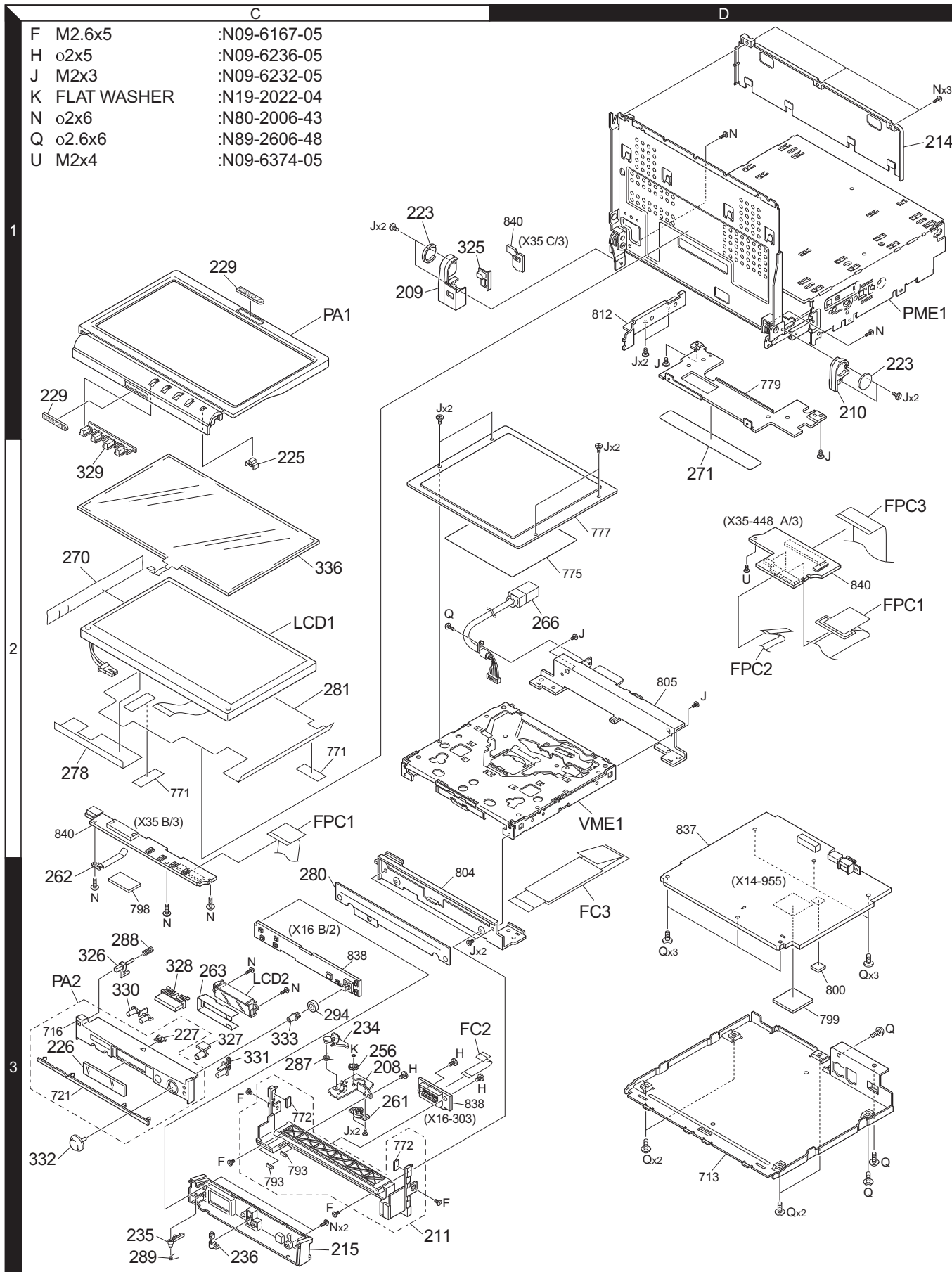


# EXPLODED VIEW (DVD MECHANISM)



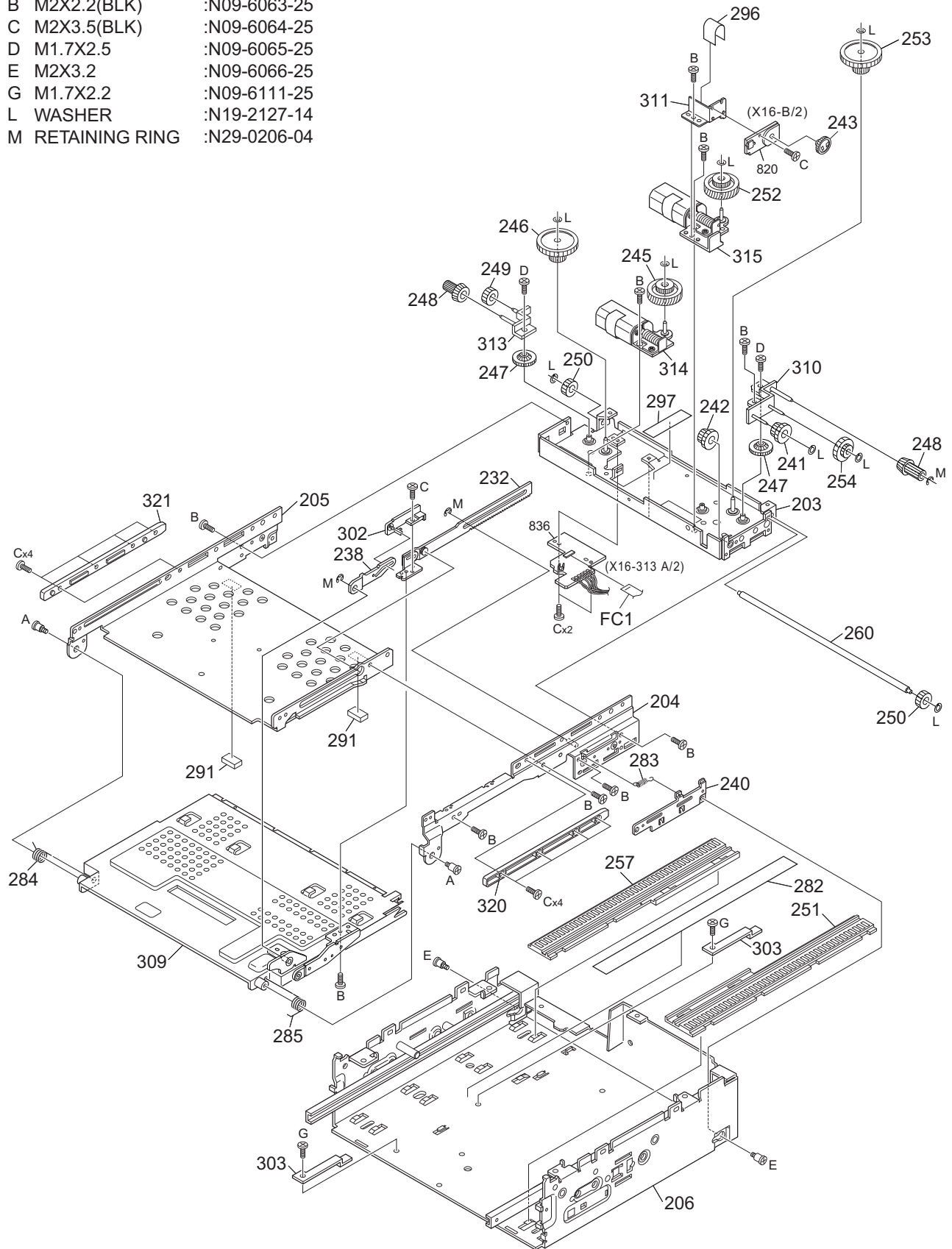
Parts with the exploded numbers larger than 700 are not supplied.

# EXPLODED VIEW (MAIN UNIT)



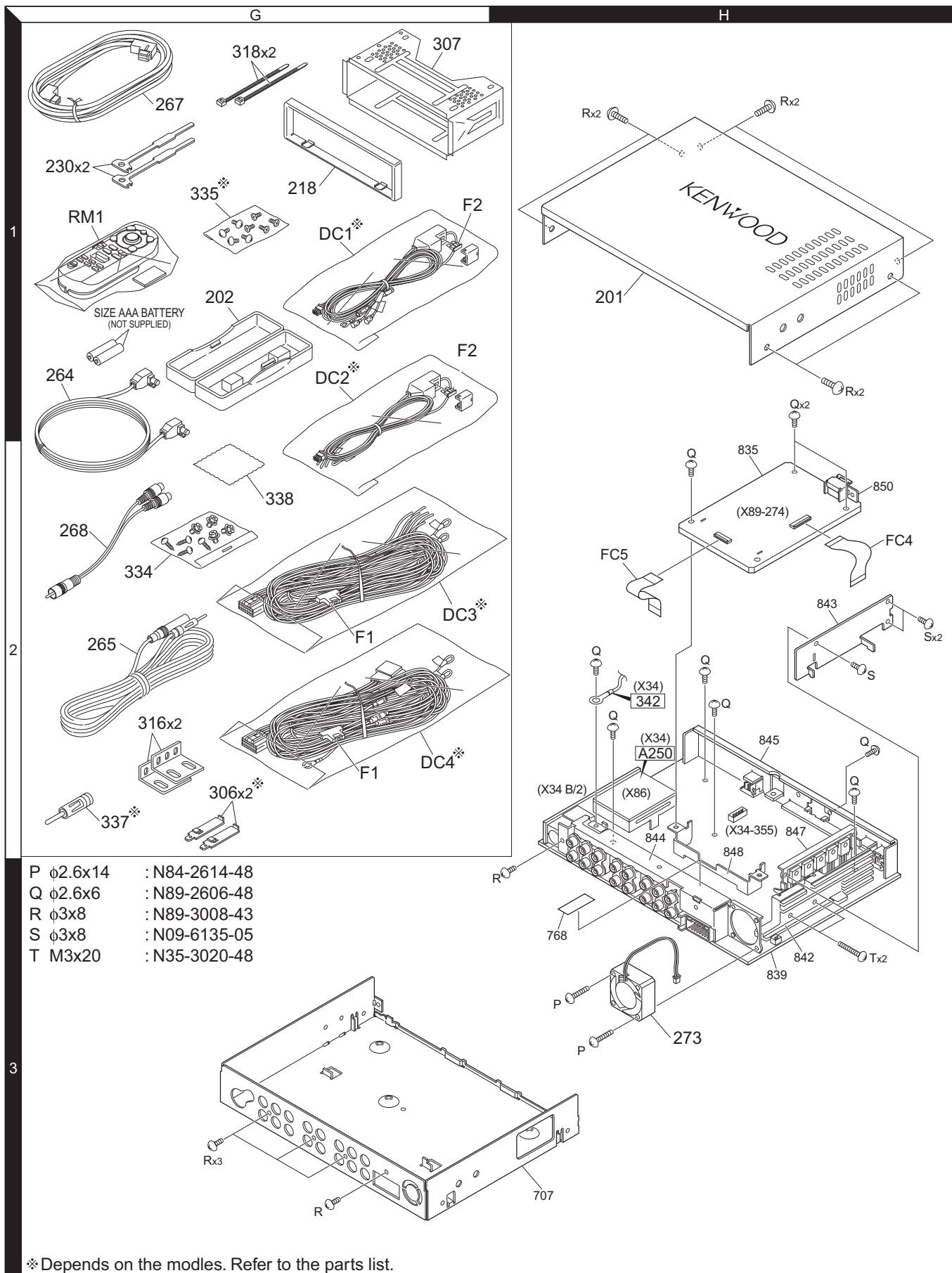
# EXPLODED VIEW (DRIVE MECHANISM)

- |   |                |              |
|---|----------------|--------------|
| A | M2.6X3.7       | :N09-6062-15 |
| B | M2X2.2(BLK)    | :N09-6063-25 |
| C | M2X3.5(BLK)    | :N09-6064-25 |
| D | M1.7X2.5       | :N09-6065-25 |
| E | M2X3.2         | :N09-6066-25 |
| G | M1.7X2.2       | :N09-6111-25 |
| L | WASHER         | :N19-2127-14 |
| M | RETAINING RING | :N29-0206-04 |



Parts with the exploded numbers larger than 700 are not supplied.

# EXPLODED VIEW (HIDEAWAY UNIT / ACCESSORIES)



# PARTS LIST

\* New parts

Parts without **Parts No.** are not supplied.

Les articles non mentionnés dans le **Parts No.** ne sont pas fournis.

Teile ohne **Parts No.** werden nicht geliefert.

Ref. No.	A d d	N e w	Parts No.	Description	Desti- nation	Ref. No.	A d d	N e w	Parts No.	Description	Desti- nation
<b>KVT-817DVD/827DVD/827DVDY/837DVD/847DVD/867DVD</b>											
201	1H	*	A01-2864-01	METALLIC CABINET		230	1G		D10-4674-04	LEVER	
202	1G		A02-2723-03	PLASTIC CABINET ASSY		232	2F		D10-4703-23	ARM ASSY	
203	2F		A10-5013-23	CHASSIS CALKING ASSY		234	3C		D10-4727-03	ARM	
204	2F		A10-5015-33	CHASSIS CALKING ASSY		235	3C		D10-4728-04	ARM	
205	2E		A10-5018-32	CHASSIS		236	3C		D10-4729-04	LEVER	
206	3F	*	A10-5137-02	CHASSIS CALKING ASSY		238	2E		D10-4733-23	ARM	
208	3C	*	A11-1645-04	SUB CHASSIS CALKING ASSY		240	2F		D10-4761-24	LEVER ASSY	
209	1C	*	A21-4498-02	DRESSING PANEL		241	2F		D13-2251-14	GEAR	
210	1D	*	A21-4501-03	DRESSING PANEL		242	2F		D13-2252-14	GEAR	
211	3C	*	A22-3067-03	SUB PANEL ASSY		243	1F		D13-2253-14	GEAR	
214	1D		A46-1776-02	REAR COVER		245	1F		D13-2256-14	GEAR	
215	3C	*	A46-1820-01	REAR COVER		246	1F		D13-2257-14	GEAR	
PA1	1C	*	A64-3587-01	PANEL	K	247	1F		D13-2258-24	GEAR	
PA1	1C	*	A64-3588-01	PANEL	E1E2	248	1E		D13-2259-24	GEAR	
PA1	1C	*	A64-3589-01	PANEL	M1	249	1F		D13-2260-14	GEAR	
PA1	1C	*	A64-3590-01	PANEL	X1	250	1F		D13-2261-14	GEAR	
PA1	1C	*	A64-3591-01	PANEL	C	251	3F		D13-2262-23	RACK (GEAR)	
PA2	3C	*	A64-3607-02	PANEL ASSY	KX1C	252	1F		D13-2263-14	GEAR	
PA2	3C	*	A64-3715-02	PANEL ASSY	E1E2M1	253	1F		D13-2264-14	GEAR	
PME1	1D		A10-5207-11	CHASSIS ASSY		254	2F		D13-2265-14	GEAR	
RM1	1G	*	A70-2072-05	REMOTE CONTROLLER AS (RC-DV601)		256	3C		D13-2280-04	GEAR	
-			B46-0100-50	WARRANTY CARD	E1E2	257	3F		D13-2317-13	RACK (GEAR)	
-			B46-0100-50	WARRANTY CARD	KM1X1	260	2F		D21-2416-23	SHAFT	
-			B46-0606-04	ID CARD	K	261	3C		D39-0239-05	DAMPER	
-			B46-0612-14	ID CARD	E1E2M1	262	3C		E29-1924-04	LEAD PLATE	
-			B46-0612-14	ID CARD	X1	263	3C	*	E29-2054-04	LEAD PLATE	
-			B46-0639-00	WARRANTY CARD	C	264	2G	*	E30-4938-25	CORD WITH CONNECTOR	
-			B46-0657-04	ID CARD	C	265	2G	*	E30-6483-05	CORD WITH PLUG (ANT)	
-		*	B54-4464-00	INSTALLATION MANUAL	K	266	2D	*	E30-6484-05	CORD WITH PLUG	
-		*	B54-4465-00	INSTALLATION MANUAL	E1E2	267	1G	*	E30-6485-05	CORD WITH PLUG	
-		*	B54-4466-00	INSTALLATION MANUAL	M1X1C	268	2G	*	E30-6491-15	CORD WITH PINPLUG	
-			B58-1297-04	CAUTION CARD		DC1	1G	*	E30-6474-15	DC CORD	E1E2
-		*	B64-3171-00	INSTRUCTION MANUAL (ENGLISH)	K	DC2	1G	*	E30-6475-15	DC CORD	KM1X1C
-		*	B64-3172-00	INSTRUCTION MANUAL (FRENCH)	K	DC3	2G	*	E30-6481-15	DC CORD	KM1X1C
-		*	B64-3173-00	INSTRUCTION MANUAL (SPANISH)	K	DC4	2G	*	E30-6482-15	DC CORD	E1E2
-		*	B64-3174-00	INSTRUCTION MANUAL (ENGLISH)	E1E2	FC1	2F		E39-0537-15	FLAT CABLE	
-		*	B64-3175-00	INSTRUCTION MANUAL (FRENCH)	E1	FC2	3C	*	E39-0771-05	FLAT CABLE	
-		*	B64-3176-00	INSTRUCTION MANUAL (GERMAN)	E1	FC3	3D	*	E39-0769-15	FLAT CABLE	
-		*	B64-3177-00	INSTRUCTION MANUAL (DUTCH)	E1	FC4	2H	*	E39-0774-05	FLAT CABLE	
-		*	B64-3178-00	INSTRUCTION MANUAL (ITALIAN)	E1	FC5	2H	*	E39-0775-05	FLAT CABLE	
-		*	B64-3179-00	INSTRUCTION MANUAL (SPANISH)	E1	270	2C		F09-1802-04	SHEET	
-		*	B64-3180-00	INSTRUCTION MANUAL (PORTUGUESE)	E1	271	2D		F09-1847-04	SHEET	
-		*	B64-3181-00	INSTRUCTION MANUAL (ENGLISH)	M1X1C	273	3H	*	F09-1991-05	FAN	
-		*	B64-3182-00	INSTRUCTION MANUAL (T-CHINESE)	M1	278	2C		F12-0775-04	SHIELDING SHEET	
-		*	B64-3183-00	INSTRUCTION MANUAL (KOREAN)	M1	280	3C	*	F19-1456-03	BLIND PLATE	
-		*	B64-3184-00	INSTRUCTION MANUAL (S-CHINESE)	C	281	2C		F20-2235-14	INSULATING SHEET	
218	1G		B07-3159-02	ESCUTCHEON	△	282	3F		F20-2240-14	INSULATING SHEET	
223	1C	*	B09-0538-04	CAP	△	F1	2D		F52-0023-05	FUSE (MINI BLADE TYPE) 10A	
225	2C	*	B10-4688-04	FRONT GLASS		F2	1C		F52-0004-05	FUSE (MINI BLADE TYPE) 5A	
226	3C	*	B10-4691-03	FRONT GLASS		283	2F		G01-3152-14	EXTENSION SPRING	
227	3C	*	B19-2330-04	LIGHTING BOARD		284	3E		G01-3153-14	TORSION COIL SPRING	
229	1C		B43-1524-04	BADGE		285	3E		G01-3161-14	TORSION COIL SPRING	
						287	3C	*	G01-3265-04	TORSION COIL SPRING	

E1 : KVT-827DVD E2 : KVT-827DVDY (Europe)  
K : KVT-817DVD (North America) X1 : KVT-847DVD (Australia)  
C : KVT-867DVD (China) M1 : KVT-837DVD (Other Areas)

△ Indicates safety critical components.

# PARTS LIST

## KVT-817DVD/827DVD/827DVDY/837DVD/847DVD/867DVD

Ref. No.	Add	New	Parts No.	Description	Destination
288	3C	*	G01-3266-04	COMPRESSION SPRING	
289	3C	*	G01-3267-04	TORSION COIL SPRING	
291	2E		G11-3512-14	CUSHION	
294	3C	*	G11-3663-04	CUSHION	
296	1F		G16-1452-14	SHEET	
297	2F		G16-1453-14	SHEET	
-		*	H02-0837-23	INNER CARTON CASE	
-			H11-1550-04	POLYSTYRENE FOAMED BOARD	
-			H12-2747-13	PACKING FIXTURE	
-		*	H12-2799-04	PACKING FIXTURE	
-		*	H12-2800-04	PACKING FIXTURE	
-			H25-0338-04	PROTECTION BAG (250X350X0.03)	
-			H25-1111-04	PROTECTION BAG (280X450X0.03)	
-			H25-1115-04	PROTECTION BAG	E1E2
-			H25-1132-04	PROTECTION BAG (0.3X280X450)	KM1X1C
-		*	H54-3509-03	ITEM CARTON CASE	K
-		*	H54-3510-03	ITEM CARTON CASE	E1
-		*	H54-3511-03	ITEM CARTON CASE	E2
-		*	H54-3512-13	ITEM CARTON CASE	M1
-		*	H54-3513-03	ITEM CARTON CASE	X1
-		*	H54-3514-03	ITEM CARTON CASE	C
302	2E		J19-5207-23	HOLDER	
303	3E		J19-5235-14	HOLDER	
306	1G		J21-9784-04	MOUNTING HARDWARE	KM1X1C
307	1G		J21-9823-03	MOUNTING HARDWARE ASSY	
309	3E		J21-9916-32	MOUNTING HARDWARE ASSY	
310	1F		J21-9947-14	MOUNTING HARDWARE ASSY	
311	1F		J21-9949-14	MOUNTING HARDWARE	
313	1F		J21-9984-14	MOUNTING HARDWARE ASSY	
314	1F		J21-9986-23	MOUNTING HARDWARE ASSY	
315	1F		J21-9987-23	MOUNTING HARDWARE ASSY	
316	2G		J22-0054-14	MOUNTING HARDWARE	
318	1G		J61-0620-05	WIRE BAND	
320	3F		J90-1053-13	GUIDE	
321	2E		J90-1064-13	GUIDE	
FPC1	2D		J84-0150-05	FLEXIBLE PRINTED WIRING BOARD	
FPC2	2D		J84-0151-05	FLEXIBLE PRINTED WIRING BOARD	
FPC3	2D		J84-0158-15	FLEXIBLE PRINTED WIRING BOARD	
325	1C	*	K24-4343-04	PUSH KNOB (OPEN)	
326	3C	*	K24-4345-04	PUSH KNOB (RELEASE)	
327	3C	*	K24-4348-03	PUSH KNOB (SORCE)	
328	3C	*	K24-4347-03	PUSH KNOB (VOL)	
329	2C	*	K25-1714-03	PUSH KNOB (MONITOR)	
330	3C	*	K25-1717-03	PUSH KNOB (ATT/AUTO)	
331	3C	*	K25-1719-03	PUSH KNOB (EJECT/RESET)	
332	3C	*	K29-7170-04	KEY TOP (4WAY)	
333	3C	*	K29-7171-03	KNOB BASE (4WAY)	
334	1G		N99-1753-05	SCREW SET	
335	1G	*	N99-1775-05	SCREW SET	KM1X1C
A	2E		N09-6062-15	STEPPED SCREW (M2.6X3.7)	
B	3E		N09-6063-25	MACHINE SCREW (M2X2.2)	
C	3F		N09-6064-25	MACHINE SCREW (M2X3.5)	
D	1F		N09-6065-25	MACHINE SCREW (M1.7X2.5)	

Ref. No.	Add	New	Parts No.	Description	Destination
E	3F		N09-6066-25	STEPPED SCREW (M2X3.2)	
F	3C		N09-6167-05	MACHINE SCREW (M2.6X5)	
G	3F		N09-6111-25	MACHINE SCREW (M1.7X2.2)	
H	3C		N09-6236-05	SEMS (TAPTITE SCREW) (2.0X 5)	
J	2D		N09-6232-05	MACHINE SCREW (M2.0X3.0)	
K	3C		N19-2022-04	FLAT WASHER (1.6X3.2X0.25)	
L	2F		N19-2127-14	FLAT WASHER	
M	2F		N29-0206-04	RETAINING RING (2)	
N	1D		N80-2006-43	PAN HEAD TAPTITE SCREW	
P	3H		N84-2614-48	PAN HEAD TAPTITE SCREW	
Q	3D		N89-2606-48	BINDING HEAD TAPTITE SCREW	
R	1H		N89-3008-43	BINDING HEAD TAPTITE SCREW	
U	2D	*	N09-6374-05	MACHINE SCREW (M2X4.0,TP-SCR)	
336	2C		S79-0845-05	SWITCH ASSY	
337	2G		T90-0552-05	ANTENNA ADAPTOR	E1E2
338	2G	*	W01-1620-05	CLEANING CLOTH	
LCD2	3C	*	W02-5159-05	ELECTRIC CIRCUIT MODULE	
VME1	2D	*	X92-5130-00	DVD MECHANISM ASSY (DVS-7000V)	
<b>VIDEO CONTROL UNIT (X14-955/956x-xx)</b>					
C1			CK73GB1H103K	CHIP C 0.010UF	K
C2			C90-5670-05	ELECTRO 2200UF	16WV
C3			CK73GB1H103K	CHIP C 0.010UF	K
C4			CK73FB1E474K	CHIP C 0.47UF	K
C5			CK73GB1H103K	CHIP C 0.010UF	K
C6			CK73FB1C105K	CHIP C 1.0UF	K
C7			CK73GB1H104K	CHIP C 0.10UF	K
C9,10			CK73GB1H104K	CHIP C 0.10UF	K
C11			CC73GCH1H151J	CHIP C 150PF	J
C12-14			CK73GB1H104K	CHIP C 0.10UF	K
C15			CK73GB1A474K	CHIP C 0.47UF	K
C17,18			CK73GB1H102K	CHIP C 1000PF	K
C19,20			CK73GB1H104K	CHIP C 0.10UF	K
C21			C93-1367-05	CHIP C 10UF	K
C22			CC73GCH1H391J	CHIP C 390PF	J
C23			C93-1367-05	CHIP C 10UF	K
C24			CE32AU1A560M	CHIP EL 56UF	10WV
C25			CK73GB1H104K	CHIP C 0.10UF	K
C26,27		*	C92-1909-05	ELECTRO 22UF	12.5WV
C28-30			CK73GB1H104K	CHIP C 0.10UF	K
C31			CC73GCH1H151J	CHIP C 150PF	J
C32-34			CK73GB1H104K	CHIP C 0.10UF	K
C35			CK73GB1A474K	CHIP C 0.47UF	K
C36-38			CK73GB1H102K	CHIP C 1000PF	K
C39,40			CK73GB1H104K	CHIP C 0.10UF	K
C41,42			C93-1367-05	CHIP C 10UF	K
C43,44			CC73GCH1H471J	CHIP C 470PF	J
C45,46			CE32AU1A560M	CHIP EL 56UF	10WV
C47			CK73FB0J106K	CHIP C 10UF	K
C48-51			CK73GB1H104K	CHIP C 0.10UF	K
C52			CC73GCH1H151J	CHIP C 150PF	J
C53,54			CK73GB1H104K	CHIP C 0.10UF	K
C55			CK73FB0J106K	CHIP C 10UF	K

E1 : KVT-827DVD E2 : KVT-827DVDY (Europe)  
K : KVT-817DVD (North America) X1 : KVT-847DVD (Australia)  
C : KVT-867DVD (China) M1 : KVT-837DVD (Other Areas)

△ Indicates safety critical components.

# PARTS LIST

## VIDEO CONTROL UNIT (X14-955/956x-xx)

Ref. No.	Add	New	Parts No.	Description	Destination	Ref. No.	Add	New	Parts No.	Description	Destination
C56			CK73GB1H104K	CHIP C 0.10UF K		C274			CK73GB1H223K	CHIP C 0.022UF K	
C57			C92-1685-05	ELECTRO 47UF 6.3WV		C275-280			CK73GB1A105K	CHIP C 1.0UF K	
C58			CK73GB1A474K	CHIP C 0.47UF K		C281			CK73FB1A225K	CHIP C 2.2UF K	
C59-61			CK73GB1H102K	CHIP C 1000PF K		C282			CK73GB1A105K	CHIP C 1.0UF K	
C62,63			CK73GB1H104K	CHIP C 0.10UF K		C283			CK73GB1H103K	CHIP C 0.010UF K	
C64,65			C93-1367-05	CHIP C 10UF K		C284,285			CK73FB1A225K	CHIP C 2.2UF K	
C66,67			CC73GCH1H471J	CHIP C 470PF J		C286			CK73GB1A105K	CHIP C 1.0UF K	
C68			CE32AU1A560M	CHIP EL 56UF 10WV		C287-294			CK73GB1H104K	CHIP C 0.10UF K	E1E2M1
C69			CE32AU0J121M	CHIP EL 120UF 6.3WV		C287-294			CK73GB1H104K	CHIP C 0.10UF K	X1C
C70,71			CK73GB1H104K	CHIP C 0.10UF K		C289-294			CK73GB1H104K	CHIP C 0.10UF K	K
C72,73			CK73GB1H103K	CHIP C 0.010UF K		C400			CK73GB1H332K	CHIP C 3300PF K	
C74			CC73GCH1H101J	CHIP C 100PF J		C401,402			CC73GCH1H681J	CHIP C 680PF J	
C80			CK73EB1C106K	CHIP C 10UF K		C403			CK73GB1H104K	CHIP C 0.10UF K	
C81			C92-1452-05	ELECTRO 100UF 10WV		C404			CK73EB1C106K	CHIP C 10UF K	
C82			CK73GB1H104K	CHIP C 0.10UF K		C405			CK73GB1H332K	CHIP C 3300PF K	
C83			C92-1452-05	ELECTRO 100UF 10WV		C406,407			CC73GCH1H681J	CHIP C 680PF J	
C84			CK73GB1H104K	CHIP C 0.10UF K		C408			CK73EB1A475K	CHIP C 4.7UF K	
C85			CK73FB0J106K	CHIP C 10UF K		C409			CC73GCH1H101J	CHIP C 100PF J	
C86			CK73GB1A105K	CHIP C 1.0UF K		C410			CK73EB1A475K	CHIP C 4.7UF K	
C91			CE32BM1C221M	CHIP EL 220UF 16WV		C411			CC73GCH1H101J	CHIP C 100PF J	
C101-103			CK73GB1H103K	CHIP C 0.010UF K		C412			CK73EB1C106K	CHIP C 10UF K	
C104			CK73FB0J106K	CHIP C 10UF K		C413,414			CK73GB1H104K	CHIP C 0.10UF K	
C105			CK73GB1H104K	CHIP C 0.10UF K		C415			CK73FB0J106K	CHIP C 10UF K	
C106,107			CC73GCH1H220J	CHIP C 22PF J		C416,417			CK73GB1H104K	CHIP C 0.10UF K	
C108			CK73GB1A105K	CHIP C 1.0UF K		C419			CK73GB1H104K	CHIP C 0.10UF K	
C109			CK73GB1H103K	CHIP C 0.010UF K		C421			CK73GB1H104K	CHIP C 0.10UF K	
C110			CK73GB1H104K	CHIP C 0.10UF K		C470			CK73GB1H104K	CHIP C 0.10UF K	
C111,112			CK73GB1H103K	CHIP C 0.010UF K		C471			CK73FB0J106K	CHIP C 10UF K	
C113-120			CK73GB1H104K	CHIP C 0.10UF K		C472,473			CK73GB1H104K	CHIP C 0.10UF K	
C230,231			CK73FB0J106K	CHIP C 10UF K		C501			CK73GB1H104K	CHIP C 0.10UF K	
C233			CK73GB1H104K	CHIP C 0.10UF K		C502			C92-1452-05	ELECTRO 100UF 10WV	
C248			CK73FB0J106K	CHIP C 10UF K		C520			CK73FB0J106K	CHIP C 10UF K	
C249			CC73GCH1H270J	CHIP C 27PF J	E1E2M1	C521			CC73GCH1H101J	CHIP C 100PF J	
C249			CC73GCH1H270J	CHIP C 27PF J	X1C	C561-567			CK73GB1H104K	CHIP C 0.10UF K	
C249			CC73GCH1H470J	CHIP C 47PF J	K	C581			CK73GB1H104K	CHIP C 0.10UF K	
C250			CK73GB1H104K	CHIP C 0.10UF K		C601-606			CK73GB1H104K	CHIP C 0.10UF K	
C251			CC73GCH1H150J	CHIP C 15PF J	E1E2M1	C607			CK73GB1A105K	CHIP C 1.0UF K	
C251			CC73GCH1H150J	CHIP C 15PF J	X1C	C608-614			CK73GB1H104K	CHIP C 0.10UF K	
C252			CC73GCH1H220J	CHIP C 22PF J		C615,616			CK73FB0J106K	CHIP C 10UF K	
C253			CC73GCH1H180J	CHIP C 18PF J		C617			CK73GB1A105K	CHIP C 1.0UF K	
C254			CC73GCH1H270J	CHIP C 27PF J	E1E2M1	C618-628			CK73GB1H104K	CHIP C 0.10UF K	
C254			CC73GCH1H270J	CHIP C 27PF J	X1C	C630			CK73GB1H104K	CHIP C 0.10UF K	
C255,256			CK73GB0J225K	CHIP C 2.2UF K		C640			CK73GB1H104K	CHIP C 0.10UF K	
C257-259			CK73GB1A105K	CHIP C 1.0UF K		C641,642			CC73GCH1H060D	CHIP C 6.0PF D	
C260			CK73GB1H223K	CHIP C 0.022UF K		C643-645			CK73GB1H104K	CHIP C 0.10UF K	
C261			CK73GB0J475K	CHIP C 4.7UF K		C646			CC73GCH1H101J	CHIP C 100PF J	
C262			CK73GB1H473K	CHIP C 0.047UF K		C650			CK73GB1H104K	CHIP C 0.10UF K	
C263-266			CK73GB1A105K	CHIP C 1.0UF K		C651,652			CK73GB1A105K	CHIP C 1.0UF K	
C263-266			CK73GB1A105K	CHIP C 1.0UF K	E1E2M1	C654-656			CK73GB1A105K	CHIP C 1.0UF K	
C267			CK73GB1A474K	CHIP C 0.47UF K	X1C	C657,658			CK73GB1H104K	CHIP C 0.10UF K	
C268			CK73FB0J106K	CHIP C 10UF K		C659			C92-1452-05	ELECTRO 100UF 10WV	
C269			CK73GB1H472K	CHIP C 4700PF K		C660			CK73FB0J106K	CHIP C 10UF K	
C270			CK73GB1A105K	CHIP C 1.0UF K		C661,662			CK73GB1H104K	CHIP C 0.10UF K	
C271			CK73FB0J106K	CHIP C 10UF K		C663			CK73FB0J106K	CHIP C 10UF K	
C272,273			CK73GB1A105K	CHIP C 1.0UF K		C664			C92-1452-05	ELECTRO 100UF 10WV	

E1 : KVT-827DVD E2 : KVT-827DVDY (Europe)  
K : KVT-817DVD (North America) X1 : KVT-847DVD (Australia)  
C : KVT-867DVD (China) M1 : KVT-837DVD (Other Areas)

△ Indicates safety critical components.

# PARTS LIST

## VIDEO CONTROL UNIT (X14-955/956x-xx)

Ref. No.	A d d	N e w	Parts No.	Description	Desti- nation
C665-668			CK73GB1H104K	CHIP C 0.10UF K	
C669			CC73GCH1H101J	CHIP C 100PF J	
C670			CK73GB1H104K	CHIP C 0.10UF K	
C671,672			CK73GB1A105K	CHIP C 1.0UF K	
C673,674			CK73GB1H104K	CHIP C 0.10UF K	
C675			CK73GB1A105K	CHIP C 1.0UF K	
C700-709			CK73GB1H104K	CHIP C 0.10UF K	
C710			CK73GB1A105K	CHIP C 1.0UF K	
C711-720			CK73GB1H104K	CHIP C 0.10UF K	
C721			CK73FB1C105K	CHIP C 1.0UF K	
C722-729			CK73GB1H104K	CHIP C 0.10UF K	
C730-732			CK73FB1C105K	CHIP C 1.0UF K	
C733-740			CK73GB1H104K	CHIP C 0.10UF K	
C741			CK73FB1C105K	CHIP C 1.0UF K	
C742			C92-1452-05	ELECTRO 100UF 10WV	
C743,744			CK73FB0J106K	CHIP C 10UF K	
C745,746			CC73GCH1H101J	CHIP C 100PF J	
C749			CK73GB1H104K	CHIP C 0.10UF K	
C750			CK73FB0J106K	CHIP C 10UF K	
C751-757			CK73GB1H104K	CHIP C 0.10UF K	
C759-765			CK73GB1H104K	CHIP C 0.10UF K	
C770-775			CK73GB1H104K	CHIP C 0.10UF K	
C778			CC73GCH1H100D	CHIP C 10PF D	
C779,780			CK73GB1H103K	CHIP C 0.010UF K	
C782			CK73GB1H104K	CHIP C 0.10UF K	
C800-809			CK73GB1H104K	CHIP C 0.10UF K	
C810,811			CC73GCH1H471J	CHIP C 470PF J	
C812-814			CK73GB1H104K	CHIP C 0.10UF K	
C815,816			CK73FB0J106K	CHIP C 10UF K	
C817			C92-1452-05	ELECTRO 100UF 10WV	
C818-823			CK73GB1H104K	CHIP C 0.10UF K	
C825,826			CC73GCH1H150J	CHIP C 15PF J	
C830			CK73GB1H104K	CHIP C 0.10UF K	
C832			CC73GCH1H331J	CHIP C 330PF J	
C833			CK73FB1C105K	CHIP C 1.0UF K	
C834			CK73GB1A105K	CHIP C 1.0UF K	
C835			CK73GB1H153K	CHIP C 0.015UF K	
C836			CK73EB1A475K	CHIP C 4.7UF K	
C837			CC73GCH1H151J	CHIP C 150PF J	
C838			CC73GCH1H102J	CHIP C 1000PF J	
C839-841			CK73GB1H104K	CHIP C 0.10UF K	
C850			CK73GB1H104K	CHIP C 0.10UF K	
C851			CK73FB0J106K	CHIP C 10UF K	
C852,853			CK73GB1H104K	CHIP C 0.10UF K	
C854			CK73FB0J106K	CHIP C 10UF K	
C855-870			CK73GB1H104K	CHIP C 0.10UF K	
C871			CK73GB1A105K	CHIP C 1.0UF K	
C872			CK73GB1H104K	CHIP C 0.10UF K	
C900			CK73GB1H104K	CHIP C 0.10UF K	
C901,902			CC73GCH1H101J	CHIP C 100PF J	
C903			CK73GB1A105K	CHIP C 1.0UF K	
C904-906			CC73GCH1H101J	CHIP C 100PF J	
C908			CC73GCH1H101J	CHIP C 100PF J	
C910,911			CK73FB1C105K	CHIP C 1.0UF K	
C991			CC73GCH1H331J	CHIP C 330PF J	

Ref. No.	A d d	N e w	Parts No.	Description	Desti- nation
CN501			E41-2197-05	FLAT CABLE CONNECTOR	
CN800		*	E41-2543-05	PIN ASSY	
CN901		*	E41-2523-05	FLAT CABLE CONNECTOR	
CN905		*	E41-2526-05	FLAT CABLE CONNECTOR	
CN908		*	E41-2529-05	PIN ASSY	
J1			E58-0899-05	RECTANGULAR RECEPTACLE	
J901			E56-0854-05	CYLINDRICAL RECEPTACLE	
CF1-6			L72-0780-05	CERAMIC FILTER	
L1			L92-0373-05	CHIP FERRITE	
L2			L79-0958-05	LINE FILTER	
L3			L92-0373-05	CHIP FERRITE	
L4		*	L19-0733-15	TRANSFORMER FOR CONVERTER	
L5		*	L33-2248-05	CHOKE COIL	
L6,7			L41-1005-33	SMALL FIXED INDUCTOR (10U)	
L8,9			L33-1914-05	CHOKE COIL	
L10		*	L33-2248-05	CHOKE COIL	
L11			L33-1906-05	CHOKE COIL	
L101			L92-0319-05	CHIP FERRITE	
L230			L41-1005-33	SMALL FIXED INDUCTOR (10U)	
L232			L41-4705-33	SMALL FIXED INDUCTOR	
L400,401			L41-1005-33	SMALL FIXED INDUCTOR (10U)	
L520			L92-0373-05	CHIP FERRITE	
L560			L92-0373-05	CHIP FERRITE	
L601			L92-0373-05	CHIP FERRITE	
L603			L92-0373-05	CHIP FERRITE	
L640,641			L92-0373-05	CHIP FERRITE	
L650			L41-1005-33	SMALL FIXED INDUCTOR (10U)	
L651,652			L92-0373-05	CHIP FERRITE	
L700,701			L92-0319-05	CHIP FERRITE	
L702			L92-0373-05	CHIP FERRITE	
L800			L92-0319-05	CHIP FERRITE	
L801			L92-0373-05	CHIP FERRITE	
L830			L41-1005-33	SMALL FIXED INDUCTOR (10U)	
L900-902			L92-0373-05	CHIP FERRITE	
X101		*	L77-2917-05	CRYSTAL RESONATOR (32.768KHZ)	
X102		*	L78-1210-05	RESONATOR (4.95MHZ)	
X232			L77-2806-05	CRYSTAL RESONATOR (3.579545MHZ)	
X233			L77-2807-05	CRYSTAL RESONATOR (4.433619MHZ)	E1E2M1
X233			L77-2807-05	CRYSTAL RESONATOR (4.433619MHZ)	X1C
X540			L77-2866-05	CRYSTAL RESONATOR (27MHZ)	
X830			L78-0549-05	RESONATOR (15.734KHZ)	
CP501-505			RK74HB1J471J	CHIP-COM 470 J 1/16W	
CP506-509			RK74HB1J103J	CHIP-COM 10K J 1/16W	
CP601-604			RK74HB1J472J	CHIP-COM 4.7K J 1/16W	
CP605			RK74HB1J470J	CHIP-COM 47 J 1/16W	
CP606-612			RK74HB1J220J	CHIP-COM 22 J 1/16W	
CP613,614			RK74HB1J330J	CHIP-COM 33 J 1/16W	
CP615-618			RK74HB1J472J	CHIP-COM 4.7K J 1/16W	
CP619-627			RK74HB1J220J	CHIP-COM 22 J 1/16W	
CP700-709			RK74HB1J680J	CHIP-COM 68 J 1/16W	
CP710-712			RK74HB1J103J	CHIP-COM 10K J 1/16W	
CP713-716			RK74HB1J680J	CHIP-COM 68 J 1/16W	
CP718			RK74HB1J103J	CHIP-COM 10K J 1/16W	
CP750-757			RK74HB1J220J	CHIP-COM 22 J 1/16W	

E1 : KVT-827DVD E2 : KVT-827DVDY (Europe)  
K : KVT-817DVD (North America) X1 : KVT-847DVD (Australia)  
C : KVT-867DVD (China) M1 : KVT-837DVD (Other Areas)

△ Indicates safety critical components.

# PARTS LIST

## VIDEO CONTROL UNIT (X14-955/956x-xx)

Ref. No.	Add	New	Parts No.	Description	Destination	Ref. No.	Add	New	Parts No.	Description	Destination
CP800-807			RK74HB1J103J	CHIP-COM 10K J 1/16W		R70			RN73GH1J243D	CHIP R 24K D 1/16W	
CP808-815			RK74HB1J470J	CHIP-COM 47 J 1/16W		R71			RN73GH1J393D	CHIP R 39K D 1/16W	
CP816-824			RK74HB1J220J	CHIP-COM 22 J 1/16W		R72			RN73GH1J472D	CHIP R 4.7K D 1/16W	
CP825-837			RK74HB1J103J	CHIP-COM 10K J 1/16W		R73			RN73GH1J153D	CHIP R 15K D 1/16W	
CP839,840			RK74HB1J220J	CHIP-COM 22 J 1/16W		R74			RN73GH1J133D	CHIP R 13K D 1/16W	
CP841,842			RK74HB1J103J	CHIP-COM 10K J 1/16W		R75			RK73GB2A103J	CHIP R 10K J 1/10W	
CP850-857			RK74HB1J470J	CHIP-COM 47 J 1/16W		R76			RN73GH1J103D	CHIP R 10K D 1/16W	
CP858			RK74HB1J103J	CHIP-COM 10K J 1/16W		R77			RN73GH1J473D	CHIP R 47K D 1/16W	
R1			RK73GB2A105J	CHIP R 1.0M J 1/10W		R78,79			RK73GB2A104J	CHIP R 100K J 1/10W	
R2			RK73GB2A151J	CHIP R 150 J 1/10W		R80,81	*		RK73GH2A334D	CHIP R 330K D 1/10W	
R3			R92-5088-05	CHIP R 3.3K J 3/4W		R82	*		RN73GH1J113D	CHIP R 11K D 1/16W	
R4			RK73GB2A912J	CHIP R 9.1K J 1/10W		R83			RN73GH1J104D	CHIP R 100K D 1/16W	
R5			RK73GB2A153J	CHIP R 15K J 1/10W		R84			RN73GH1J683D	CHIP R 68K D 1/16W	
R6			RK73FB2B123J	CHIP R 12K J 1/8W		R85,86			RK73GB2A224J	CHIP R 220K J 1/10W	
R7			RK73GB2A473J	CHIP R 47K J 1/10W		R88			RK73GB2A224J	CHIP R 220K J 1/10W	
R8			RK73EB2E102J	CHIP R 1.0K J 1/4W		R89			RN73GH1J104D	CHIP R 100K D 1/16W	
R9			RK73GB2A473J	CHIP R 47K J 1/10W		R90			RN73GH1J513D	CHIP R 51K D 1/16W	
R10			RK73GB2A112J	CHIP R 1.1K J 1/10W		R91			RN73GH1J333D	CHIP R 33K D 1/16W	
R11			RK73GB2A912J	CHIP R 9.1K J 1/10W		R92,93			RK73GB2A224J	CHIP R 220K J 1/10W	
R13			RN73GH1J473D	CHIP R 47K D 1/16W		R94			RK73GB2A202J	CHIP R 2.0K J 1/10W	
R14			RN73GH1J392D	CHIP R 3.9K D 1/16W		R95,96			RK73GB2A224J	CHIP R 220K J 1/10W	
R15			RK73GB2A562J	CHIP R 5.6K J 1/10W		R97			RK73GB2A114J	CHIP R 110K J 1/10W	
R16		*	RN73GH1J114D	CHIP R 110K D 1/16W		R98,99			RK73GB2A100J	CHIP R 10 J 1/10W	
R18			RN73GH1J243D	CHIP R 24K D 1/16W		R106			RK73GB2A103J	CHIP R 10K J 1/10W	KE1E2
R19			RN73GH1J4021D	CHIP R 4.02K D 1/16W		R106			RK73GB2A103J	CHIP R 10K J 1/10W	M1
R20			RN73GH1J132D	CHIP R 1.3K D 1/16W		R106,107			RK73GB2A103J	CHIP R 10K J 1/10W	X1C
R21			RN73GH1J393D	CHIP R 39K D 1/16W		R108			RK73GB2A103J	CHIP R 10K J 1/10W	K
R22			RN73GH1J133D	CHIP R 13K D 1/16W		R108,109			RK73GB2A103J	CHIP R 10K J 1/10W	E1E2M1
R23			RK73GB2A103J	CHIP R 10K J 1/10W		R110			RK73GB2A103J	CHIP R 10K J 1/10W	X1C
R24			RN73GH1J103D	CHIP R 10K D 1/16W		R110,111			RK73GB2A103J	CHIP R 10K J 1/10W	K
R30			RN73GH1J393D	CHIP R 39K D 1/16W		R111			RK73GB2A103J	CHIP R 10K J 1/10W	M1
R31,32			RK73GB2A104J	CHIP R 100K J 1/10W		R112,113			RK73GB2A103J	CHIP R 10K J 1/10W	C
R33,34			RK73GB2A100J	CHIP R 10 J 1/10W		R112,113			RK73GB2A103J	CHIP R 10K J 1/10W	E1E2X1
R37			RK73GB2A100J	CHIP R 10 J 1/10W		R113			RK73GB2A103J	CHIP R 10K J 1/10W	KM1
R38			RK73GB2A101J	CHIP R 100 J 1/10W		R114,115			RK73GB2A104J	CHIP R 100K J 1/10W	
R39			R92-3475-05	CHIP R 0.27 F 1/2W		R116			RK73GB2A101J	CHIP R 100 J 1/10W	
R45			RK73GB2A104J	CHIP R 100K J 1/10W		R117			RK73GB2A104J	CHIP R 100K J 1/10W	
R46		*	RN73GH1J114D	CHIP R 110K D 1/16W		R118			RK73GB2A103J	CHIP R 10K J 1/10W	
R48			RN73GH1J243D	CHIP R 24K D 1/16W		R119,120			RK73GB2A473J	CHIP R 47K J 1/10W	
R49			RK73GH2A302D	CHIP R 3.0K D 1/10W		R121-124			RK73GB2A102J	CHIP R 1.0K J 1/10W	
R50			RN73GH1J393D	CHIP R 39K D 1/16W		R125-128			RK73GB2A104J	CHIP R 100K J 1/10W	
R51			RN73GH1J182D	CHIP R 1.8K D 1/16W		R129			RK73GB2A123J	CHIP R 12K J 1/10W	
R52			RN73GH1J133D	CHIP R 13K D 1/16W		R130			RK73GB2A102J	CHIP R 1.0K J 1/10W	
R53			RK73GB2A103J	CHIP R 10K J 1/10W		R131			RK73GB2A123J	CHIP R 12K J 1/10W	
R54			RK73GH2A512D	CHIP R 5.1K D 1/10W		R132			RK73GB2A333J	CHIP R 33K J 1/10W	
R55		*	RN73GH1J163D	CHIP R 16K D 1/16W		R133,134			RK73GB2A123J	CHIP R 12K J 1/10W	
R56			RN73GH1J133D	CHIP R 13K D 1/16W		R135			RK73GB2A514J	CHIP R 510K J 1/10W	
R57			RK73GB2A104J	CHIP R 100K J 1/10W		R136			RK73GB2A102J	CHIP R 1.0K J 1/10W	
R58			RN73GH1J123D	CHIP R 12K D 1/16W		R138			RK73GB2A473J	CHIP R 47K J 1/10W	
R59			RN73GH1J152D	CHIP R 1.5K D 1/16W		R141,142			RK73GB2A473J	CHIP R 47K J 1/10W	
R60			RN73GH1J243D	CHIP R 24K D 1/16W		R143,144			RK73GB2A103J	CHIP R 10K J 1/10W	
R61			RK73GB2A104J	CHIP R 100K J 1/10W		R145,146			RK73GB2A101J	CHIP R 100 J 1/10W	
R62,63			RK73GB2A100J	CHIP R 10 J 1/10W		R147			RK73GB2A102J	CHIP R 1.0K J 1/10W	
R66,67			RK73GB2A101J	CHIP R 100 J 1/10W		R148-152			RK73GB2A473J	CHIP R 47K J 1/10W	
R68		*	RN73GH1J114D	CHIP R 110K D 1/16W		R153			RK73GB2A101J	CHIP R 100 J 1/10W	

E1 : KVT-827DVD E2 : KVT-827DVDY (Europe)  
K : KVT-817DVD (North America) X1 : KVT-847DVD (Australia)  
C : KVT-867DVD (China) M1 : KVT-837DVD (Other Areas)

△ Indicates safety critical components.

# PARTS LIST

## VIDEO CONTROL UNIT (X14-955/956x-xx)

Ref. No.	A d d	N e w	Parts No.	Description	Desti- nation	Ref. No.	A d d	N e w	Parts No.	Description	Desti- nation
R154			RK73GB2A473J	CHIP R 47K J 1/10W		R408			RK73GB2A302J	CHIP R 3.0K J 1/10W	
R155			RK73GB2A104J	CHIP R 100K J 1/10W		R409,410			RK73GB2A201J	CHIP R 200 J 1/10W	
R156			RK73GB2A101J	CHIP R 100 J 1/10W		R411			RK73GB2A302J	CHIP R 3.0K J 1/10W	
R157			RK73GB2A104J	CHIP R 100K J 1/10W		R412			RK73GB2A223J	CHIP R 22K J 1/10W	
R163			RK73GB2A104J	CHIP R 100K J 1/10W		R413			RK73GB2A182J	CHIP R 1.8K J 1/10W	
R164			RK73GB2A102J	CHIP R 1.0K J 1/10W		R414			RK73GB2A471J	CHIP R 470 J 1/10W	
R165			RK73GB2A473J	CHIP R 47K J 1/10W		R415			RK73GB2A100J	CHIP R 10 J 1/10W	
R166,167			RK73GB2A102J	CHIP R 1.0K J 1/10W		R416			RK73GB2A223J	CHIP R 22K J 1/10W	
R168			RK73GB2A223J	CHIP R 22K J 1/10W		R417			RK73GB2A471J	CHIP R 470 J 1/10W	
R169			RK73GB2A103J	CHIP R 10K J 1/10W		R418			RK73GB2A182J	CHIP R 1.8K J 1/10W	
R170			RK73GB2A563J	CHIP R 56K J 1/10W		R419			RK73GB2A100J	CHIP R 10 J 1/10W	
R171,172			RK73GB2A473J	CHIP R 47K J 1/10W		R420			RK73GB2A102J	CHIP R 1.0K J 1/10W	
R173			RK73GB2A222J	CHIP R 2.2K J 1/10W		R421			RK73GB2A682J	CHIP R 6.8K J 1/10W	
R174		*	RN73GH1J163D	CHIP R 16K D 1/16W		R422			RK73GB2A222J	CHIP R 2.2K J 1/10W	
R175			RN73GH1J102D	CHIP R 1.0K D 1/16W		R423			RK73GB2A392J	CHIP R 3.9K J 1/10W	
R176			RN73GH1J333D	CHIP R 33K D 1/16W		R424			RK73GB2A103J	CHIP R 10K J 1/10W	
R177			RK73GB2A153J	CHIP R 15K J 1/10W		R429			RK73GB2A151J	CHIP R 150 J 1/10W	
R178		*	RN73GH1J163D	CHIP R 16K D 1/16W		R430			RK73GB2A101J	CHIP R 100 J 1/10W	
R179			RN73GH1J102D	CHIP R 1.0K D 1/16W		R432-434			RK73GB2A101J	CHIP R 100 J 1/10W	
R180			RN73GH1J333D	CHIP R 33K D 1/16W		R470-472			RK73GB2A472J	CHIP R 4.7K J 1/10W	
R182,183			RK73GB2A473J	CHIP R 47K J 1/10W		R474			RK73GB2A472J	CHIP R 4.7K J 1/10W	
R231			RK73GB2A203J	CHIP R 20K J 1/10W		R475			RK73GB2A103J	CHIP R 10K J 1/10W	
R232			RK73GB2A303J	CHIP R 30K J 1/10W		R476			RK73GB2A222J	CHIP R 2.2K J 1/10W	
R233			RK73GB2A182J	CHIP R 1.8K J 1/10W		R477			RK73GB2A102J	CHIP R 1.0K J 1/10W	
R234			RK73GB2A152J	CHIP R 1.5K J 1/10W		R500			RK73GB2A302J	CHIP R 3.0K J 1/10W	
R235			RK73GB2A122J	CHIP R 1.2K J 1/10W		R501			RK73GB2A330J	CHIP R 33 J 1/10W	
R237			RK73GB2A392J	CHIP R 3.9K J 1/10W		R502			RK73GB2A103J	CHIP R 10K J 1/10W	
R238			RK73GB2A222J	CHIP R 2.2K J 1/10W		R503			RK73GB2A820J	CHIP R 82 J 1/10W	
R239			RK73GB2A153J	CHIP R 15K J 1/10W		R504,505			RK73GB2A220J	CHIP R 22 J 1/10W	
R240			RK73GB2A101J	CHIP R 100 J 1/10W		R506,507			RK73GB2A820J	CHIP R 82 J 1/10W	
R241			RK73GB2A303J	CHIP R 30K J 1/10W		R508			RK73GB2A471J	CHIP R 470 J 1/10W	
R243			RK73GB2A101J	CHIP R 100 J 1/10W		R509			RK73GB2A102J	CHIP R 1.0K J 1/10W	
R245			RK73GB2A101J	CHIP R 100 J 1/10W		R510-512			RK73GB2A103J	CHIP R 10K J 1/10W	
R247			RK73GB2A102J	CHIP R 1.0K J 1/10W		R520			RK73GB2A472J	CHIP R 4.7K J 1/10W	
R248-251			RK73GB2A101J	CHIP R 100 J 1/10W		R522-528			RK73GB2A103J	CHIP R 10K J 1/10W	
R253			RK73GB2A122J	CHIP R 1.2K J 1/10W		R529			RK73GB2A472J	CHIP R 4.7K J 1/10W	
R254			RK73GB2A103J	CHIP R 10K J 1/10W	E1E2M1 X1C	R530			RK73GB2A101J	CHIP R 100 J 1/10W	
R254			RK73GB2A103J	CHIP R 10K J 1/10W		R601-603			RK73GB2A472J	CHIP R 4.7K J 1/10W	
R255			RK73GB2A152J	CHIP R 1.5K J 1/10W		R604			RK73GB2A470J	CHIP R 47 J 1/10W	
R256			RK73GB2A752J	CHIP R 7.5K J 1/10W		R611			RK73GB2A102J	CHIP R 1.0K J 1/10W	
R257,258			RK73GB2A101J	CHIP R 100 J 1/10W		R612,613			RK73GB2A220J	CHIP R 22 J 1/10W	
R259			RK73GB2A103J	CHIP R 10K J 1/10W		R614			RK73GB2A330J	CHIP R 33 J 1/10W	
R260			RK73GB2A682J	CHIP R 6.8K J 1/10W		R615-617			RK73GB2A472J	CHIP R 4.7K J 1/10W	
R261			RK73GB2A105J	CHIP R 1.0M J 1/10W		R618,619			RK73GB2A220J	CHIP R 22 J 1/10W	
R262-265			RK73GB2A101J	CHIP R 100 J 1/10W		R620-622			RK73GB2A472J	CHIP R 4.7K J 1/10W	
R267			RK73GB2A103J	CHIP R 10K J 1/10W		R625-627			RK73GB2A472J	CHIP R 4.7K J 1/10W	
R269		*	RN73GH1J203D	CHIP R 20K D 1/16W		R640,641			RK73GB2A331J	CHIP R 330 J 1/10W	
R270			RK73GB2A332J	CHIP R 3.3K J 1/10W		R642			RK73GB2A471J	CHIP R 470 J 1/10W	
R271			RK73GB2A104J	CHIP R 100K J 1/10W		R643			RK73GB2A151J	CHIP R 150 J 1/10W	
R272			RN73GH1J303D	CHIP R 30K D 1/16W		R644			RK73GB2A221J	CHIP R 220 J 1/10W	
R400,401			RK73GB2A472J	CHIP R 4.7K J 1/10W		R645			RK73GB2A101J	CHIP R 100 J 1/10W	
R402			RK73GB2A302J	CHIP R 3.0K J 1/10W		R650			RK73GB2A103J	CHIP R 10K J 1/10W	
R403,404			RK73GB2A201J	CHIP R 200 J 1/10W		R651-654			RK73GB2A102J	CHIP R 1.0K J 1/10W	
R405			RK73GB2A302J	CHIP R 3.0K J 1/10W		R655			RK73GB2A750J	CHIP R 75 J 1/10W	
R406,407			RK73GB2A472J	CHIP R 4.7K J 1/10W		R656			RK73GB2A101J	CHIP R 100 J 1/10W	

# PARTS LIST

## VIDEO CONTROL UNIT (X14-955/956x-xx)

Ref. No.	Add	New	Parts No.	Description	Destination	Ref. No.	Add	New	Parts No.	Description	Destination
R658,659			RK73GB2A102J	CHIP R 1.0K J 1/10W		R852			RK73GB2A331J	CHIP R 330 J 1/10W	
R660			RK73GB2A103J	CHIP R 10K J 1/10W		R853			RK73GB2A101J	CHIP R 100 J 1/10W	
R661,662			RK73GB2A472J	CHIP R 4.7K J 1/10W		R854			RN73GH1J302D	CHIP R 3.0K D 1/16W	
R663,664			RK73GB2A101J	CHIP R 100 J 1/10W		R855,856			RK73GB2A101J	CHIP R 100 J 1/10W	
R665-668			RN73GH1J750D	CHIP R 75 D 1/16W		R857			RN73GH1J182D	CHIP R 1.8K D 1/16W	
R669			RN73GH1J151D	CHIP R 150 D 1/16W		R858			RN73GH1J471D	CHIP R 470 D 1/16W	
R670			RK73GB2A103J	CHIP R 10K J 1/10W		R859-861			RK73GB2A470J	CHIP R 47 J 1/10W	
R671,672			RK73GB2A104J	CHIP R 100K J 1/10W		R862			RK73GB2A203J	CHIP R 20K J 1/10W	
R673			RN73GH1J151D	CHIP R 150 D 1/16W		R863,864			RK73GB2A103J	CHIP R 10K J 1/10W	
R675,676			RK73GB2A101J	CHIP R 100 J 1/10W		R901			RK73EB2E100J	CHIP R 10 J 1/4W	
R678			RK73GB2A472J	CHIP R 4.7K J 1/10W		R902-908			RK73EB2E101J	CHIP R 100 J 1/4W	
R679-681			RK73GB2A101J	CHIP R 100 J 1/10W		R910-912			RK73EB2E102J	CHIP R 1.0K J 1/4W	
R682			RK73GB2A472J	CHIP R 4.7K J 1/10W		R913			RK73GB2A104J	CHIP R 100K J 1/10W	
R683-687			RK73GB2A102J	CHIP R 1.0K J 1/10W		R914			RK73EB2E100J	CHIP R 10 J 1/4W	
R701			RK73GB2A330J	CHIP R 33 J 1/10W		R915			RK73GB2A203J	CHIP R 20K J 1/10W	
R702			RK73GB2A102J	CHIP R 1.0K J 1/10W		R917,918			RK73EB2E102J	CHIP R 1.0K J 1/4W	
R703			RN73GH1J151D	CHIP R 150 D 1/16W		R920-925			RK73EB2E101J	CHIP R 100 J 1/4W	
R704			RK73GB2A104J	CHIP R 100K J 1/10W		R926			RK73GB2A750J	CHIP R 75 J 1/10W	
R705			RN73GH1J151D	CHIP R 150 D 1/16W		R927			RK73EB2E472J	CHIP R 4.7K J 1/4W	
R706,707			RK73GB2A104J	CHIP R 100K J 1/10W		R928-930			RK73GB2A750J	CHIP R 75 J 1/10W	
R708			RN73GH1J151D	CHIP R 150 D 1/16W		R931			RK73GB2A104J	CHIP R 100K J 1/10W	
R709,710			RK73GB2A104J	CHIP R 100K J 1/10W		R932			RK73EB2E223J	CHIP R 22K J 1/4W	
R711			RK73GB2A103J	CHIP R 10K J 1/10W		R933			RK73GB2A104J	CHIP R 100K J 1/10W	
R712-717			RK73GB2A104J	CHIP R 100K J 1/10W		R935			RK73EB2E151J	CHIP R 150 J 1/4W	
R718-721			RN73GH1J103D	CHIP R 10K D 1/16W		R937			RK73EB2E150J	CHIP R 15 J 1/4W	
R722			RN73GH1J433D	CHIP R 43K D 1/16W		R938			RK73GB2A102J	CHIP R 1.0K J 1/10W	
R723			RK73GB2A222J	CHIP R 2.2K J 1/10W		R939,940			RK73GB2A101J	CHIP R 100 J 1/10W	
R724			RK73GB2A104J	CHIP R 100K J 1/10W		R942-955			RK73GB2A101J	CHIP R 100 J 1/10W	
R725-727			RK73GB2A101J	CHIP R 100 J 1/10W		R956			RK73GB2A472J	CHIP R 4.7K J 1/10W	
R728			RK73GB2A330J	CHIP R 33 J 1/10W		R957			RK73GB2A102J	CHIP R 1.0K J 1/10W	
R729			RK73GB2A102J	CHIP R 1.0K J 1/10W		R958			RK73GB2A103J	CHIP R 10K J 1/10W	
R730			RK73GB2A103J	CHIP R 10K J 1/10W		R972,973			RK73GB2A101J	CHIP R 100 J 1/10W	
R771,772			RK73GB2A330J	CHIP R 33 J 1/10W		R974,975			RK73GB2A105J	CHIP R 1.0M J 1/10W	
R775			RK73GB2A101J	CHIP R 100 J 1/10W		R976			RK73GB2A334J	CHIP R 330K J 1/10W	
R776,777			RK73GB2A153J	CHIP R 15K J 1/10W		R977			RK73GB2A104J	CHIP R 100K J 1/10W	
R778,779			RK73GB2A561J	CHIP R 560 J 1/10W		R978			RK73GB2A224J	CHIP R 220K J 1/10W	
R781			RK73GB2A561J	CHIP R 560 J 1/10W		R981-984			RK73GB2A220J	CHIP R 22 J 1/10W	
R801			RK73GB2A102J	CHIP R 1.0K J 1/10W		R985,986			RK73GB2A101J	CHIP R 100 J 1/10W	
R802-806			RK73GB2A104J	CHIP R 100K J 1/10W		R987,988			RK73EB2E331J	CHIP R 330 J 1/4W	
R807			RK73GB2A102J	CHIP R 1.0K J 1/10W		R994			RK73GB2A154J	CHIP R 150K J 1/10W	
R808			RK73GB2A103J	CHIP R 10K J 1/10W		R995			RK73GB2A222J	CHIP R 2.2K J 1/10W	
R809			RK73GB2A104J	CHIP R 100K J 1/10W		R996			RK73GB2A122J	CHIP R 1.2K J 1/10W	
R810			RN73GH1J243D	CHIP R 24K D 1/16W		R997			RK73GB2A473J	CHIP R 47K J 1/10W	
R811			RN73GH1J681D	CHIP R 680 D 1/16W		R998			RN73GH1J472D	CHIP R 4.7K D 1/16W	
R812		*	RN73GH1J113D	CHIP R 11K D 1/16W		R999			RN73GH1J243D	CHIP R 24K D 1/16W	
R815			RK73GB2A104J	CHIP R 100K J 1/10W		W1-3			R92-1252-05	CHIP R 0 OHM J 1/16W	
R816			RK73GB2A103J	CHIP R 10K J 1/10W		W4			RK73EB2E000J	CHIP R 0.0 J 1/4W	
R817,818			RK73GB2A104J	CHIP R 100K J 1/10W		W5			R92-1252-05	CHIP R 0 OHM J 1/16W	
R819,820			RK73GB2A220J	CHIP R 22 J 1/10W		W7-11			R92-1252-05	CHIP R 0 OHM J 1/16W	
R821			RK73GB2A104J	CHIP R 100K J 1/10W		W12,13			RK73EB2E000J	CHIP R 0.0 J 1/4W	
R823,824			RK73GB2A103J	CHIP R 10K J 1/10W		W14			R92-1252-05	CHIP R 0 OHM J 1/16W	
R830			RK73GB2A103J	CHIP R 10K J 1/10W		W15,16			RK73EB2E000J	CHIP R 0.0 J 1/4W	
R846			RK73GB2A330J	CHIP R 33 J 1/10W		W18-20			R92-1252-05	CHIP R 0 OHM J 1/16W	
R850			RK73GB2A331J	CHIP R 330 J 1/10W		W21			RK73EB2E000J	CHIP R 0.0 J 1/4W	
R851			RK73GB2A914J	CHIP R 910K J 1/10W		W30			R92-1252-05	CHIP R 0 OHM J 1/16W	

E1 : KVT-827DVD E2 : KVT-827DVDY (Europe)  
K : KVT-817DVD (North America) X1 : KVT-847DVD (Australia)  
C : KVT-867DVD (China) M1 : KVT-837DVD (Other Areas)

△ Indicates safety critical components.

# PARTS LIST

## VIDEO CONTROL UNIT (X14-955/956x-xx)

Ref. No.	A d d	N e w	Parts No.	Description	Desti- nation
W37			R92-1252-05	CHIP R 0 OHM J 1/16W	
W81,82			R92-1252-05	CHIP R 0 OHM J 1/16W	
W102,103			R92-1252-05	CHIP R 0 OHM J 1/16W	
W230,231			R92-1252-05	CHIP R 0 OHM J 1/16W	
W233			R92-1252-05	CHIP R 0 OHM J 1/16W	
W240			R92-1252-05	CHIP R 0 OHM J 1/16W	
W400			R92-1252-05	CHIP R 0 OHM J 1/16W	
W402			R92-1252-05	CHIP R 0 OHM J 1/16W	
W472-474			R92-1252-05	CHIP R 0 OHM J 1/16W	
W477-481			R92-1252-05	CHIP R 0 OHM J 1/16W	
W501			R92-1252-05	CHIP R 0 OHM J 1/16W	
W515			R92-1252-05	CHIP R 0 OHM J 1/16W	
W522			R92-1252-05	CHIP R 0 OHM J 1/16W	
W601			R92-1252-05	CHIP R 0 OHM J 1/16W	
W604			R92-1252-05	CHIP R 0 OHM J 1/16W	
W607-609			R92-1252-05	CHIP R 0 OHM J 1/16W	
W652			R92-1252-05	CHIP R 0 OHM J 1/16W	
W654			R92-1252-05	CHIP R 0 OHM J 1/16W	
W658			R92-1252-05	CHIP R 0 OHM J 1/16W	
W660			R92-1252-05	CHIP R 0 OHM J 1/16W	
W662,663			R92-1252-05	CHIP R 0 OHM J 1/16W	
W700-703			R92-1252-05	CHIP R 0 OHM J 1/16W	
W750,751			R92-1252-05	CHIP R 0 OHM J 1/16W	
W770			R92-1252-05	CHIP R 0 OHM J 1/16W	
W773			R92-1252-05	CHIP R 0 OHM J 1/16W	
W776			R92-1252-05	CHIP R 0 OHM J 1/16W	
W800-803			R92-1252-05	CHIP R 0 OHM J 1/16W	
W805,806			R92-1252-05	CHIP R 0 OHM J 1/16W	
W830,831			R92-1252-05	CHIP R 0 OHM J 1/16W	
W833			R92-1252-05	CHIP R 0 OHM J 1/16W	
W850-854			R92-1252-05	CHIP R 0 OHM J 1/16W	
W900,901			R92-1252-05	CHIP R 0 OHM J 1/16W	
W903			R92-1252-05	CHIP R 0 OHM J 1/16W	
W906-908			R92-1252-05	CHIP R 0 OHM J 1/16W	
W909			RK73FB2B00J	CHIP R 0.0 J 1/8W	
W912-914			R92-1252-05	CHIP R 0 OHM J 1/16W	
W916-918			R92-1252-05	CHIP R 0 OHM J 1/16W	
W920			R92-1252-05	CHIP R 0 OHM J 1/16W	
D1			1SR154-400	DIODE	
D2			EC31QS04AG	DIODE	
D3			DAN202U	DIODE	
D4			SB05-05CP-E	DIODE	
D5			UDZS6.8B	ZENER DIODE	
D6			DAN202U	DIODE	
D7			UDZS6.2B	ZENER DIODE	
D8			SB05-05CP-E	DIODE	
D10-13			EC31QS04AG	DIODE	
D231			DAN202U	DIODE	
D233			DA204U	DIODE	
D240-242			STZ6.2N	ZENER DIODE	
D400,401			STZ6.2N	ZENER DIODE	
D402			DAP202U	DIODE	
D404			DA204U	DIODE	
D501,502			DA204U	DIODE	

Ref. No.	A d d	N e w	Parts No.	Description	Desti- nation
D650			STZ6.2N	ZENER DIODE	
D800			AVRM1608120M6A	VARISTOR	
D801-807			AVRM1608270MAB	VARISTOR	E1E2
D850		*	HVD133-E	DIODE	
D900-902			DA204U	DIODE	
D904			DA204U	DIODE	
D905,906			STZ6.2N	ZENER DIODE	
D907			DA204U	DIODE	
D908			UDZS6.2B	ZENER DIODE	
D909			AVRM1608120M6A	VARISTOR	E1E2
D910			STZ6.2N	ZENER DIODE	
D911			DA204U	DIODE	
D912,913			STZ6.2N	ZENER DIODE	
D914			DA204U	DIODE	
D916			UDZS6.2B	ZENER DIODE	
D917,918			DA204U	DIODE	
D922,923			DAN202U	DIODE	
D924			DA204U	DIODE	
D925			AVRM1608270MAA	VARISTOR	
D928-930			AVRM1608120M6A	VARISTOR	
D932-935			AVRM1608120M6A	VARISTOR	
D938			AVRM1608120M6A	VARISTOR	
D939-945			AVRM1608180M6A	VARISTOR	
D946-948			AVRM1608270MAB	VARISTOR	
D949-951			AVRM1608180M6A	VARISTOR	
D953,954			AVRM1608180M6A	VARISTOR	
D970		*	MA2S784-F	DIODE	
IC1-3		*	FA7707E-H1	ANALOGUE IC	
IC9			SI-3012KM	ANALOGUE IC	
IC80		*	SI-3033KMS	ANALOGUE IC	
IC81		*	UPC2905ATAZ	ANALOGUE IC	
IC82		*	PQ1X331M2ZPH	ANALOGUE IC	
IC101		*	BR24L08FV-W	ROM IC	
IC103			TC7SH08FU-F	MOS-IC	
IC104		*	703264YGJ501A	MICROCONTROLLER IC	
IC105			S-80830CNNB-G	MOS-IC	
IC106,107			LB1836M-TLM-E	ANALOGUE IC	
IC108			TC74VHCT08AFT	MOS-IC	
IC237			AN2546FH-AV	ANALOGUE IC	
IC238			TC7SH04FU-F	MOS-IC	
IC239			TDA4665T-F	ANALOGUE IC	E1E2M1
IC239			TDA4665T-F	ANALOGUE IC	X1C
IC240			MM1389XFBE-E	ANALOGUE IC	
IC400			NJM4580V-ZB	ANALOGUE IC	
IC401			TA78L05F-F	ANALOGUE IC	
IC402			AK4382AVT	ANALOGUE IC	
IC403		*	TC7SET04FU-F	MOS-IC	
IC470		*	M43212VNI8R01	MOS-IC	
IC500		*	PQ070XH02ZPH	ANALOGUE IC	
IC520		*	M29LV160T72U5	ROM IC	
IC560		*	K4S281632FUP75	DRAM IC	
IC601			ES6218SF	MOS-IC	
IC640		*	SM8707HV-G-E2	ANALOGUE IC	
IC641			TC7WH74FU-F	MOS-IC	
IC650		*	MM1567AJBE-E	ANALOGUE IC	

# PARTS LIST

## VIDEO CONTROL UNIT (X14-955/956x-xx)

Ref. No.	Add	New	Parts No.	Description	Destination
IC651		*	UPC2905ATAZ	ANALOGUE IC	
IC652		*	ADV7170KSUZ	MOS-IC	
IC654		*	MM1508XNRE-E	ANALOGUE IC	
IC700			MN677611UB	MOS-IC	
IC701		*	SI-3018KM	ANALOGUE IC	
IC750,751		*	K4S641632HUC7	DRAM IC	
IC770		*	TC7S02FU-F	MOS-IC	
IC771			TC74LCX74FT	MOS-IC	
IC772			TC7SH04FU-F	MOS-IC	
IC773		*	TC7W08FU-F	MOS-IC	
IC774		*	TC7W32FU-F	MOS-IC	
IC779			TC7SH00FU-F	MOS-IC	
IC781			TC7SH04FU-F	MOS-IC	
IC800		*	6417706F120DV	MICROPROCESSOR IC	
IC801			SI-3012KM	ANALOGUE IC	
IC830			NJW1303V-ZB	ANALOGUE IC	
IC831			TC7SH04FU-F	MOS-IC	
IC832,833			TC7WH74FU-F	MOS-IC	
IC834		*	TC7WH14FU-F	MOS-IC	
IC835			HD74LV157AT-E	MOS-IC	
IC836			TC7SH08FU-F	MOS-IC	
IC850		*	MB29D64E9E4U4	ROM IC	
IC851		*	CY6126DLL7ZXI	SRAM IC	
IC852			MT48LC2M32P7I	DRAM IC	
IC853			HD74LVC08TTP	MOS-IC	
IC854			HD74CBT3244T-E	MOS-IC	
IC855			TC7SH04FU-F	MOS-IC	
Q1			2SC4081	TRANSISTOR	
Q2			DTA124EUA	DIGITAL TRANSISTOR	
Q3			DTC144EUA	DIGITAL TRANSISTOR	
Q4			2SC4081	TRANSISTOR	
Q5			2SA1576A	TRANSISTOR	
Q6			HAT1038R-E	FET	
Q9			DTC144EUA	DIGITAL TRANSISTOR	
Q13		*	HAT1024R-E	FET	
Q16			DTC144EUA	DIGITAL TRANSISTOR	
Q18			DTC144EUA	DIGITAL TRANSISTOR	
Q19		*	HAT1024R-E	FET	
Q20			DTC144EUA	DIGITAL TRANSISTOR	
Q22		*	HAT1024R-E	FET	
Q23			DTA114TUA	DIGITAL TRANSISTOR	
Q24			2SC4081	TRANSISTOR	
Q25			DTA114TUA	DIGITAL TRANSISTOR	
Q26			2SC4081	TRANSISTOR	
Q27			DTA114TUA	DIGITAL TRANSISTOR	
Q80			DTC144EUA	DIGITAL TRANSISTOR	
Q81			2SC4081	TRANSISTOR	
Q82			2SA1576A	TRANSISTOR	
Q83			2SC4081	TRANSISTOR	
Q84			DTA114EUA	DIGITAL TRANSISTOR	
Q85			2SC4081	TRANSISTOR	
Q86			2SA1576A	TRANSISTOR	
Q87			DTA114TUA	DIGITAL TRANSISTOR	
Q88			2SB1184	TRANSISTOR	
Q89-91			2SC4081	TRANSISTOR	

Ref. No.	Add	New	Parts No.	Description	Destination
Q92			2SA1576A	TRANSISTOR	
Q93			DTC144EUA	DIGITAL TRANSISTOR	
Q94			DTA144EUA	DIGITAL TRANSISTOR	
Q95			IMX9	TRANSISTOR	
Q101			DTC144EUA	DIGITAL TRANSISTOR	
Q102			DTA114EUA	DIGITAL TRANSISTOR	
Q103			DTC144EUA	DIGITAL TRANSISTOR	
Q104			DTB123YK	DIGITAL TRANSISTOR	
Q105			DTC144EUA	DIGITAL TRANSISTOR	
Q106			DTB123YK	DIGITAL TRANSISTOR	
Q107			DTA144EUA	DIGITAL TRANSISTOR	
Q108			DTC144EUA	DIGITAL TRANSISTOR	
Q109			2SA1576A	TRANSISTOR	
Q110			DTC144EUA	DIGITAL TRANSISTOR	
Q111			2SA1576A	TRANSISTOR	
Q112,113			2SC4081	TRANSISTOR	
Q114			DTA144EUA	DIGITAL TRANSISTOR	
Q115			DTC114TUA	DIGITAL TRANSISTOR	
Q170,171			2SA1576A	TRANSISTOR	
Q172,173			2SC4081	TRANSISTOR	
Q230,231			2SC4081	TRANSISTOR	
Q232			2SA1576A	TRANSISTOR	
Q233			DTC114TUA	DIGITAL TRANSISTOR	
Q234			2SA1576A	TRANSISTOR	
Q234			2SA1576A	TRANSISTOR	E1E2 E1E2M1 X1C
Q236			2SC4081	TRANSISTOR	
Q237			2SA1576A	TRANSISTOR	
Q238,239			2SC4081	TRANSISTOR	
Q240			2SA1576A	TRANSISTOR	
Q400-402			2SC4081	TRANSISTOR	
Q403			DTC114TUA	DIGITAL TRANSISTOR	
Q404,405			DTA114TUA	DIGITAL TRANSISTOR	
Q650			DTA114TUA	DIGITAL TRANSISTOR	
Q651,652			DTC144EUA	DIGITAL TRANSISTOR	
Q653			DTC114TUA	DIGITAL TRANSISTOR	
Q700			2SA1576A	TRANSISTOR	
Q701			2SC4081	TRANSISTOR	
Q771,772			2SC4081	TRANSISTOR	
Q830			DTA114EUA	DIGITAL TRANSISTOR	
Q831			DTC144EUA	DIGITAL TRANSISTOR	
Q901			DTC124EUA	DIGITAL TRANSISTOR	
Q902			DTC143EUA	DIGITAL TRANSISTOR	
Q904			2SC4081	TRANSISTOR	
Q905			2SB1189	TRANSISTOR	
Q906			DTC144EUA	DIGITAL TRANSISTOR	
Q907			DTB123YK	DIGITAL TRANSISTOR	
Q908			DTC144EUA	DIGITAL TRANSISTOR	
<b>SWITCH UNIT (X16-2380-00): IN DVD MECHA.</b>					
CN1			E41-2036-05	FLAT CABLE CONNECTOR	
S1,2			S68-0863-05	PUSH SWITCH	
<b>SUB-CIRCUIT UNIT (X16-303/304x-xx)</b>					
D101			B30-1658-05	LED (RED, S)	
D203		*	B30-1713-05	LED (SR, TS)	

E1 : KVT-827DVD E2 : KVT-827DVDY (Europe)  
K : KVT-817DVD (North America) X1 : KVT-847DVD (Australia)  
C : KVT-867DVD (China) M1 : KVT-837DVD (Other Areas)

△ Indicates safety critical components.

# PARTS LIST

## SUB-CIRCUIT UNIT (X16-303/304x-xx)

Ref. No.	A d d	N e w	Parts No.	Description	Desti- nation
D205 D207-209 D221-225		*	B30-1740-05 B30-1564-05 B30-1605-05	LED (CL-270PG-C-TS) LED (1608, BLUE) LED (2COLOR PG/RED)	
C101 C201 C202 C203 C204			CK73GB1H104K CK73GB1H104K CK73FB1C105K CC73GCH1H221J CK73FB1A225K	CHIP C 0.10UF K CHIP C 0.10UF K CHIP C 1.0UF K CHIP C 220PF J CHIP C 2.2UF K	
C205			CK73GB1H104K	CHIP C 0.10UF K	
CN101 CN201 J101 J201		*	E41-2366-05 E41-2563-05 E58-1008-05 E59-0843-05	FLAT CABLE CONNECTOR FLAT CABLE CONNECTOR RECTANGULAR RECEPTACLE RECTANGULAR PLUG	
R101,102 R103-105 R106 R107 R201			RK73EB2E101J RK73EB2E102J RK73GB2A101J RK73EB2E102J RK73GB2A152J	CHIP R 100 J 1/4W CHIP R 1.0K J 1/4W CHIP R 100 J 1/10W CHIP R 1.0K J 1/4W CHIP R 1.5K J 1/10W	
R202 R203 R204 R205 R206			RK73GB2A181J RK73GB2A101J RK73GB2A271J RK73GB2A272J RK73GB2A332J	CHIP R 180 J 1/10W CHIP R 100 J 1/10W CHIP R 270 J 1/10W CHIP R 2.7K J 1/10W CHIP R 3.3K J 1/10W	
R207 R208 R209 R210-212 R213			RK73GB2A181J RK73GB2A271J RK73GB2A472J RK73GB2A101J RK73EB2E561J	CHIP R 180 J 1/10W CHIP R 270 J 1/10W CHIP R 4.7K J 1/10W CHIP R 100 J 1/10W CHIP R 560 J 1/4W	
R214 R215 R216 R217 R219			RK73EB2E101J RK73EB2E561J RK73GB2A104J RK73EB2E101J RK73GB2A391J	CHIP R 100 J 1/4W CHIP R 560 J 1/4W CHIP R 100K J 1/10W CHIP R 100 J 1/4W CHIP R 390 J 1/10W	
R221 R222 R224 R225 R226			RK73EB2E431J RK73GB2A391J RK73GB2A822J RK73GB2A153J RK73GB2A473J	CHIP R 430 J 1/4W CHIP R 390 J 1/10W CHIP R 8.2K J 1/10W CHIP R 15K J 1/10W CHIP R 47K J 1/10W	
R234,235 R236 R237 R238 R239,240			RK73GB2A222J RK73GB2A101J RK73FB2B431J RK73GB2A391J RK73GB2A101J	CHIP R 2.2K J 1/10W CHIP R 100 J 1/10W CHIP R 430 J 1/8W CHIP R 390 J 1/10W CHIP R 100 J 1/10W	
R242-245			RK73GB2A103J	CHIP R 10K J 1/10W	
S201-206 S207 S208			S70-0901-05 S70-0874-05 S70-0901-05	TACT SWITCH TACT SWITCH TACT SWITCH	
D102 D103-106 D201 D211-213 D214-216			AVRM1608180M6A AVRM1005270MAA UDZS6.2B DA204U UDZS6.2B	VARISTOR VARISTOR ZENER DIODE DIODE ZENER DIODE	

Ref. No.	A d d	N e w	Parts No.	Description	Desti- nation
D217 D404-410 D411,412 IC201 Q101			AVRM1608120M6A AVRM1608180M6A DAP202U RS-181 DTC124EUA	VARISTOR VARISTOR DIODE ANALOGUE IC DIGITAL TRANSISTOR	
Q204-206			2SA1576A	TRANSISTOR	
<b>ELECTRIC CIRCUIT MODULE X (X16-3130-00) (W02-3386-25)</b>					
CN1 R2		*	E41-2300-05 RK73GB2A273J	FLAT CABLE (19PIN) CHIP R 27K J 1/10W	
R1 VR1			RK73GB2A751J R31-0237-05	CHIP R 750 J 1/10W SEMI FIXED VARIABLE RESISTOR	
S1 S2,S3 S4			S68-0863-05 S68-0871-05 S68-0863-05	PUSH SWITCH PUSH SWITCH PUSH SWITCH	
PH1			T95-0253-05	PHOTO INTERRUPTER	
<b>ELECTRIC UNIT (X34-355/381x-xx)</b>					
C1 C5 C6 C7 C8			CK73EB1E225K C90-5612-05 CK73GB1H104K CK73FB1C105K CD04BA1H3R3M	CHIP C 2.2UF K ELECTRO 3900UF 16WV CHIP C 0.10UF K CHIP C 1.0UF K ELECTRO 3.3UF 50WV	
C9,10 C50 C51 C52 C53			CK73GB1H103K CK73GB1A474K CK73GB1H473K CD04AS1V100M CD04AY1H220M	CHIP C 0.010UF K CHIP C 0.47UF K CHIP C 0.047UF K ELECTRO 10UF 35WV ELECTRO 22UF 50WV	
C54 C55 C56 C58 C59			CK73GB1A334K CD04BJ1E221M CD04BJ1A101M CD04AS1C220M CD04BD1C101M	CHIP C 0.33UF K ELECTRO 220UF 25WV ELECTRO 100UF 10WV ELECTRO 22UF 16WV ELECTRO 100UF 16WV	
C60-62 C63 C64 C65,66 C67			CK73EB1E225K CD04BA1C220M CK73EB1E225K CK73FB1C105K CD04AY1A221M	CHIP C 2.2UF K ELECTRO 22UF 16WV CHIP C 2.2UF K CHIP C 1.0UF K ELECTRO 220UF 10WV	
C68 C69 C70 C71 C72			C90-5692-05 CK73FB1C105K CD04AY1A221M CK73GB1H223K CK73GB1H103K	ELECTRO 220UF 16WV CHIP C 1.0UF K ELECTRO 220UF 10WV CHIP C 0.022UF K CHIP C 0.010UF K	
C73,74 C75 C76 C101 C103			CD04BA1E4R7M CK73GB1H104K CD04BA0J470M CK73GB1A105K CK73GB1A105K	ELECTRO 4.7UF 25WV CHIP C 0.10UF K ELECTRO 47UF 6.3WV CHIP C 1.0UF K CHIP C 1.0UF K	
C104 C108-112 C113 C150 C151,152			CD04AS1C101M C90-6742-05 CK73GB1H103K CD04AS1C470M CK73GB1H152K	ELECTRO 100UF 16WV NP-ELECT 4.7UF 16WV CHIP C 0.010UF K ELECTRO 47UF 16WV CHIP C 1500PF K	
C153			CD04AS1V100M	ELECTRO 10UF 35WV	

# PARTS LIST

## ELECTRIC UNIT (X34-355/381x-xx)

Ref. No.	Add	New	Parts No.	Description	Destination	Ref. No.	Add	New	Parts No.	Description	Destination
C154,155			CK73FB1C105K	CHIP C 1.0UF K		C247			CK73GB1H103K	CHIP C 0.010UF K	
C156-161		*	CD04AW1E3R3M	ELECTRO 3.3UF 25WV		C248			CD04AS1H4R7M	ELECTRO 4.7UF 50WV	
C162,163			CD04AS1V100M	ELECTRO 10UF 35WV		C251,252			CC73GCH1H100D	CHIP C 10PF D	KE1E2
C164			CK73GB1H103K	CHIP C 0.010UF K		C251,252			CC73GCH1H100D	CHIP C 10PF D	M1
C165			CD04AS1V100M	ELECTRO 10UF 35WV		C255			CD04AS1V100M	ELECTRO 10UF 35WV	KE1E2
C166			CK73GB1H104K	CHIP C 0.10UF K		C255			CD04AS1V100M	ELECTRO 10UF 35WV	M1
C167			CK73GB1H103K	CHIP C 0.010UF K		C256			CC73GCH1H331J	CHIP C 330PF J	KE1E2
C168			CD04AT1H010M	ELECTRO 1UF 50WV		C256			CC73GCH1H331J	CHIP C 330PF J	M1
C170			CD04AS1C470M	ELECTRO 47UF 16WV		C257			CD04AS1V100M	ELECTRO 10UF 35WV	KE1E2
C172			CK73GB1H102K	CHIP C 1000PF K		C257			CD04AS1V100M	ELECTRO 10UF 35WV	M1
C173			CD04AS1H4R7M	ELECTRO 4.7UF 50WV		C258			CK73GB1H103K	CHIP C 0.010UF K	KE1E2
C174			CK73FB1E474K	CHIP C 0.47UF K		C258			CK73GB1H103K	CHIP C 0.010UF K	M1
C175			CK73GB1H102K	CHIP C 1000PF K		C267-270			CK73GB1H103K	CHIP C 0.010UF K	
C176			CK73FB1E474K	CHIP C 0.47UF K		C300			CK73GB1H103K	CHIP C 0.010UF K	
C177			CD04AS1C101M	ELECTRO 100UF 16WV		C301,302			CK73GB1H104K	CHIP C 0.10UF K	
C178,179			CD04AS1H3R3M	ELECTRO 3.3UF 50WV		C304			CK73GB1A105K	CHIP C 1.0UF K	
C180,181			CK73FB1A225K	CHIP C 2.2UF K		C305-307			CK73GB1H103K	CHIP C 0.010UF K	
C182-185			CC73GCH1H101J	CHIP C 100PF J		C308			CD04BJ0J331M	ELECTRO 330UF 6.3WV	
C186			CK73FB1C105K	CHIP C 1.0UF K		C309			CK73GB1H103K	CHIP C 0.010UF K	
C187,188			CD04AS1H3R3M	ELECTRO 3.3UF 50WV		C310			CK73GB1H102K	CHIP C 1000PF K	
C192,193			CD04BJ1H100M	ELECTRO 10UF 50WV		C400,401			CK73GB1A105K	CHIP C 1.0UF K	E1E2
C194-199			CK73GB1H152K	CHIP C 1500PF K		C401			CK73GB1A105K	CHIP C 1.0UF K	KM1X1C
C200			CD04AS1C220M	ELECTRO 22UF 16WV		C403			CD04BJ1A221M	ELECTRO 220UF 10WV	
C201			CD04BJ1H100M	ELECTRO 10UF 50WV		C404			CK73GB1H104K	CHIP C 0.10UF K	
C202			CK73GB1H103K	CHIP C 0.010UF K		C405,406			CK73GB1A105K	CHIP C 1.0UF K	E1E2
C203,204			CD04BJ1H100M	ELECTRO 10UF 50WV		C406			CK73GB1A105K	CHIP C 1.0UF K	KM1X1C
C205			CK73GB1H102K	CHIP C 1000PF K		C408			CD04BJ1A221M	ELECTRO 220UF 10WV	
C206			CD04BJ1H100M	ELECTRO 10UF 50WV		C409			CK73GB1H104K	CHIP C 0.10UF K	
C207			CK73GB1H103K	CHIP C 0.010UF K		C410,411			CK73GB1A105K	CHIP C 1.0UF K	E1E2
C208			CK73GB1H102K	CHIP C 1000PF K		C411			CK73GB1A105K	CHIP C 1.0UF K	KM1X1C
C209-213			CD04BJ1H100M	ELECTRO 10UF 50WV		C413			CD04BJ1A221M	ELECTRO 220UF 10WV	
C214			CK73GB1H103K	CHIP C 0.010UF K		C414			CK73GB1H104K	CHIP C 0.10UF K	
C215,216			CK73GB1H102K	CHIP C 1000PF K		C415			CK73GB1H103K	CHIP C 0.010UF K	
C217-219			CD04BJ1H100M	ELECTRO 10UF 50WV		C416			CK73GB1H561K	CHIP C 560PF K	
C220			CK73GB1H103K	CHIP C 0.010UF K		C417			CK73GB1A105K	CHIP C 1.0UF K	
C221			CK73GB1H102K	CHIP C 1000PF K		C418			CK73GB1H561K	CHIP C 560PF K	
C222-224			CD04BJ1H100M	ELECTRO 10UF 50WV		C419			CK73GB1H103K	CHIP C 0.010UF K	
C225			CK73GB1H103K	CHIP C 0.010UF K		C420,421			CK73GB1H104K	CHIP C 0.10UF K	
C226			CK73GB1H102K	CHIP C 1000PF K		C422			CK73GB1H103K	CHIP C 0.010UF K	
C227-229			CD04BJ1H100M	ELECTRO 10UF 50WV		C423			CD04AS1C220M	ELECTRO 22UF 16WV	
C230			CK73GB1H103K	CHIP C 0.010UF K		C424			CD04AS1V100M	ELECTRO 10UF 35WV	
C231			CD04AS1C220M	ELECTRO 22UF 16WV		C425,426			CK73GB1A105K	CHIP C 1.0UF K	
C233			CD04AS1V100M	ELECTRO 10UF 35WV		C428			CK73GB1H104K	CHIP C 0.10UF K	
C234			CK73GB1H222K	CHIP C 2200PF K		C429-431			CK73GB1A105K	CHIP C 1.0UF K	
C235,236			CK73GB1H102K	CHIP C 1000PF K		C432			CD04BJ0J331M	ELECTRO 330UF 6.3WV	
C237			CK73GB1H222K	CHIP C 2200PF K		C433			CK73GB1H104K	CHIP C 0.10UF K	
C238			CD04AS1V100M	ELECTRO 10UF 35WV		C434-436			CK73GB0J225K	CHIP C 2.2UF K	
C239			CD04AS0J101M	ELECTRO 100UF 6.3WV		C437			CD04BJ1C471M	ELECTRO 470UF 16WV	
C240			CD04AS1H4R7M	ELECTRO 4.7UF 50WV		C438			CK73GB1H104K	CHIP C 0.10UF K	
C241			CD04AS1C220M	ELECTRO 22UF 16WV		C442			CD04AS1V100M	ELECTRO 10UF 35WV	
C242			CK73GB1H103K	CHIP C 0.010UF K		C448,449			CK73GB1H103K	CHIP C 0.010UF K	
C243			CD04AS1H4R7M	ELECTRO 4.7UF 50WV		C450-452			CD04AY1H220M	ELECTRO 22UF 50WV	
C244			CD04AS0J101M	ELECTRO 100UF 6.3WV		C454,455			CK73GB1A105K	CHIP C 1.0UF K	
C245			CD04AS1H4R7M	ELECTRO 4.7UF 50WV		C457,458			CK73GB1A105K	CHIP C 1.0UF K	
C246			CD04AS1C220M	ELECTRO 22UF 16WV		C461-463			CK73GB1H104K	CHIP C 0.10UF K	

E1 : KVT-827DVD E2 : KVT-827DVDY (Europe)  
K : KVT-817DVD (North America) X1 : KVT-847DVD (Australia)  
C : KVT-867DVD (China) M1 : KVT-837DVD (Other Areas)

△ Indicates safety critical components.

# PARTS LIST

## ELECTRIC UNIT (X34-355/381x-xx)

Ref. No.	A d d	N e w	Parts No.	Description	Desti- nation
C500			CK73GB1H103K	CHIP C 0.010UF K	
C501,502			CD04AS1H4R7M	ELECTRO 4.7UF 50WV	
C503			CD04AS0J101M	ELECTRO 100UF 6.3WV	
C504			CD04AS1C220M	ELECTRO 22UF 16WV	
C505			CD04AS1V100M	ELECTRO 10UF 35WV	
C506,507			CK73GB1H104K	CHIP C 0.10UF K	
C508			CD04AS0J470M	ELECTRO 47UF 6.3WV	
C509-511			CD04AS1H4R7M	ELECTRO 4.7UF 50WV	
C512			CD04AS0J470M	ELECTRO 47UF 6.3WV	
C513			CD04AS1H4R7M	ELECTRO 4.7UF 50WV	
C514			CD04AS0J470M	ELECTRO 47UF 6.3WV	
C515,516			CD04AS1H4R7M	ELECTRO 4.7UF 50WV	
C803,804			CK73GB1H103K	CHIP C 0.010UF K	
C807-811			CK73GB1H222K	CHIP C 2200PF K	
342	2H	*	E30-6496-05	GROUND WIRE	
CN1		*	E41-2550-05	PIN ASSY	
CN150		*	E41-2366-05	FLAT CABLE CONNECTOR	
CN151		*	E41-2367-05	FLAT CABLE CONNECTOR	
CN250,251		*	E41-2383-05	PIN ASSY	
CN252,253			E40-9423-05	SOCKET FOR PIN ASSY	
J1			E58-0991-05	RECTANGULAR RECEPTACLE	
J200		*	E63-0931-05	PIN JACK	
J201		*	E63-0917-05	PIN JACK	
J202		*	E63-0933-05	PIN JACK	
J250			E04-0326-05	RF COAXIAL CABLE RECEPTACLE	
J500			E56-0856-05	CYLINDRICAL RECEPTACLE	
J501			E58-0963-05	RECTANGULAR RECEPTACLE	
J502			E58-1034-05	RECTANGULAR RECEPTACLE	
J503		*	E56-0868-05	CYLINDRICAL RECEPTACLE	
L1			L33-1063-25	CHOKE COIL	
L50			L41-2205-33	SMALL FIXED INDUCTOR (22U)	
L150			L41-4795-33	SMALL FIXED INDUCTOR (4.7U)	
L250			L41-4795-33	SMALL FIXED INDUCTOR (4.7U)	KE1E2
L250			L41-4795-33	SMALL FIXED INDUCTOR (4.7U)	M1
L252			L41-4795-33	SMALL FIXED INDUCTOR (4.7U)	
L254			L41-4795-33	SMALL FIXED INDUCTOR (4.7U)	
L255			L33-1977-05	CHOKE COIL	
L300			L41-1005-33	SMALL FIXED INDUCTOR (10U)	
L301			L92-0330-05	CHIP FERRITE	
L400-402			L41-1005-33	SMALL FIXED INDUCTOR (10U)	
X250			L77-2002-05	CRYSTAL RESONATOR	KE1E2
X250			L77-2002-05	CRYSTAL RESONATOR	M1
X300			L78-0892-05	RESONATOR (19M)	
S	2H		N09-6135-05	TAPTITE SCREW (3X8)	
T	2H	*	N35-3020-48	BINDING HEAD MACHINE SCREW	
R1			RK73GB2A222J	CHIP R 2.2K J 1/10W	
R2			RK73GB2A332J	CHIP R 3.3K J 1/10W	
R3			RK73GB2A272J	CHIP R 2.7K J 1/10W	
R4			RK73GB2A123J	CHIP R 12K J 1/10W	
R5			RK73GB2A103J	CHIP R 10K J 1/10W	
R6			RK73EB2E102J	CHIP R 1.0K J 1/4W	
R7			RK73EB2E103J	CHIP R 10K J 1/4W	
R10,11			RK73PB2H102J	CHIP R 1.0K J 1/2W	
R12			RK73GB2A223J	CHIP R 22K J 1/10W	

Ref. No.	A d d	N e w	Parts No.	Description	Desti- nation
R13,14			RK73FB2B472J	CHIP R 4.7K J 1/8W	
R15			RK73SB3A561J	CHIP R 560 J 1W	KM1X1C
R16,17			RK73GB2A223J	CHIP R 22K J 1/10W	KM1X1C
R17			RK73GB2A223J	CHIP R 22K J 1/10W	E1E2
R18			RK73GB2A103J	CHIP R 10K J 1/10W	
R19			RK73GB2A104J	CHIP R 100K J 1/10W	
R20			RK73GB2A183J	CHIP R 18K J 1/10W	
R21			RK73FB2B561J	CHIP R 560 J 1/8W	
R22			RK73GB2A473J	CHIP R 47K J 1/10W	
R24			RK73GB2A683J	CHIP R 68K J 1/10W	
R25			RK73GB2A393J	CHIP R 39K J 1/10W	
R26			RK73GB2A104J	CHIP R 100K J 1/10W	
R27			RK73EB2E101J	CHIP R 100 J 1/4W	
R28			RK73GB2A104J	CHIP R 100K J 1/10W	
R29			RK73GB2A103J	CHIP R 10K J 1/10W	
R30			RK73GB2A474J	CHIP R 470K J 1/10W	
R50			RK73FB2B182J	CHIP R 1.8K J 1/8W	
R51,52			RK73GB2A104J	CHIP R 100K J 1/10W	
R53			RK73GB2A101J	CHIP R 100 J 1/10W	
R54			RK73FB2B152J	CHIP R 1.5K J 1/8W	
R55			RK73FB2B203J	CHIP R 20K J 1/8W	
R56-58			RK73FB2B221J	CHIP R 220 J 1/8W	
R59			RK73FB2B272J	CHIP R 2.7K J 1/8W	
R60			RK73GB2A223J	CHIP R 22K J 1/10W	
R61,62			RK73GB2A153J	CHIP R 15K J 1/10W	
R63			RK73GH2A243D	CHIP R 24K D 1/10W	
R64			RK73GH2A432D	CHIP R 4.3K D 1/10W	
R65			RK73GH2A243D	CHIP R 24K D 1/10W	
R66			RK73GH2A432D	CHIP R 4.3K D 1/10W	
R67			RK73GB2A272J	CHIP R 2.7K J 1/10W	
R68			RK73GB2A153J	CHIP R 15K J 1/10W	
R69			RK73GB2A470J	CHIP R 47 J 1/10W	
R70			RK73GH2A153D	CHIP R 15K D 1/10W	
R71			RK73GH2A512D	CHIP R 5.1K D 1/10W	
R72			RK73GB2A752J	CHIP R 7.5K J 1/10W	
R73			RK73GB2A274J	CHIP R 270K J 1/10W	
R74			RK73GB2A563J	CHIP R 56K J 1/10W	
R75			RK73GB2A470J	CHIP R 47 J 1/10W	
R76			RK73GB2A103J	CHIP R 10K J 1/10W	
R77,78			RK73GB2A913J	CHIP R 91K J 1/10W	
R79			RK73GB2A750J	CHIP R 75 J 1/10W	
R80			RK73GB2A101J	CHIP R 100 J 1/10W	
R100			RK73GB2A103J	CHIP R 10K J 1/10W	
R101			RK73GB2A432J	CHIP R 4.3K J 1/10W	
R102			RK73GB2A103J	CHIP R 10K J 1/10W	
R103			RK73GB2A333J	CHIP R 33K J 1/10W	
R104,105			RK73GB2A103J	CHIP R 10K J 1/10W	
R106			RK73GB2A223J	CHIP R 22K J 1/10W	
R107			RK73GB2A221J	CHIP R 220 J 1/10W	
R108			RK73GB2A222J	CHIP R 2.2K J 1/10W	
R110			RK73GB2A103J	CHIP R 10K J 1/10W	
R111			RK73GB2A390J	CHIP R 39 J 1/10W	
R113			RK73GB2A104J	CHIP R 100K J 1/10W	
R114-117			RK73GB2A471J	CHIP R 470 J 1/10W	
R118			RK73GB2A102J	CHIP R 1.0K J 1/10W	

E1 : KVT-827DVD E2 : KVT-827DVDY (Europe)  
K : KVT-817DVD (North America) X1 : KVT-847DVD (Australia)  
C : KVT-867DVD (China) M1 : KVT-837DVD (Other Areas)

△ Indicates safety critical components.

# PARTS LIST

## ELECTRIC UNIT (X34-355/381x-xx)

Ref. No.	Add	New	Parts No.	Description	Destination	Ref. No.	Add	New	Parts No.	Description	Destination
R120			RK73GB2A223J	CHIP R 22K J 1/10W		R235			RK73EB2E820J	CHIP R 82 J 1/4W	
R121			RK73GB2A431J	CHIP R 430 J 1/10W		R236			RK73FB2B203J	CHIP R 20K J 1/8W	
R122			RK73GB2A100J	CHIP R 10 J 1/10W		R237			RK73FB2B103J	CHIP R 10K J 1/8W	
R150			RK73EB2E2R2J	CHIP R 2.2 J 1/4W		R238			RK73EB2E750J	CHIP R 75 J 1/4W	
R151,152			RK73GB2A102J	CHIP R 1.0K J 1/10W		R239			RK73EB2E101J	CHIP R 100 J 1/4W	
R153-158			RK73GB2A101J	CHIP R 100 J 1/10W		R240			RK73GB2A361J	CHIP R 360 J 1/10W	
R159			RK73GB2A391J	CHIP R 390 J 1/10W		R241,242			RK73GB2A223J	CHIP R 22K J 1/10W	
R160			RK73GB2A242J	CHIP R 2.4K J 1/10W		R243			RK73EB2E101J	CHIP R 100 J 1/4W	
R162			RK73GH2A512D	CHIP R 5.1K D 1/10W		R244			RK73GB2A361J	CHIP R 360 J 1/10W	
R163			RK73GH2A472D	CHIP R 4.7K D 1/10W		R245			RK73EB2E4R7J	CHIP R 4.7 J 1/4W	
R164			RK73GB2A562J	CHIP R 5.6K J 1/10W		R246			RK73EB2E100J	CHIP R 10 J 1/4W	
R165			RK73GB2A103J	CHIP R 10K J 1/10W		R247			RK73GB2A222J	CHIP R 2.2K J 1/10W	
R166			RK73GB2A101J	CHIP R 100 J 1/10W		R248			RK73GB2A471J	CHIP R 470 J 1/10W	
R167,168			RK73GB2A102J	CHIP R 1.0K J 1/10W		R249			RK73EB2E100J	CHIP R 10 J 1/4W	
R169			RK73FB2B152J	CHIP R 1.5K J 1/8W		R250			RK73EB2E4R7J	CHIP R 4.7 J 1/4W	
R170			RK73GB2A104J	CHIP R 100K J 1/10W		R251			RK73EB2E100J	CHIP R 10 J 1/4W	
R171			RK73FB2B4R7J	CHIP R 4.7 J 1/8W		R252			RK73GB2A222J	CHIP R 2.2K J 1/10W	
R172			RK73GB2A332J	CHIP R 3.3K J 1/10W		R253			RK73EB2E101J	CHIP R 100 J 1/4W	
R173,174			RK73GB2A101J	CHIP R 100 J 1/10W		R254			RK73EB2E100J	CHIP R 10 J 1/4W	
R176			RK73GB2A100J	CHIP R 10 J 1/10W		R255,256			RK73GB2A750J	CHIP R 75 J 1/10W	
R177-180			RK73GB2A101J	CHIP R 100 J 1/10W		R257			RK73GB2A222J	CHIP R 2.2K J 1/10W	KE1E2
R181,182			RK73GB2A103J	CHIP R 10K J 1/10W		R257			RK73GB2A222J	CHIP R 2.2K J 1/10W	M1
R184			RK73FB2B1R0J	CHIP R 1.0 J 1/8W		R260			RK73GB2A222J	CHIP R 2.2K J 1/10W	KE1E2
R200			RK73FB2B203J	CHIP R 20K J 1/8W		R260			RK73GB2A222J	CHIP R 2.2K J 1/10W	M1
R201			RK73FB2B103J	CHIP R 10K J 1/8W		R261			RK73EB2E101J	CHIP R 100 J 1/4W	
R202			RK73EB2E820J	CHIP R 82 J 1/4W		R262			RK73GB2A222J	CHIP R 2.2K J 1/10W	KE1E2
R203			RK73GB2A361J	CHIP R 360 J 1/10W		R262			RK73GB2A222J	CHIP R 2.2K J 1/10W	M1
R204			RK73GB2A104J	CHIP R 100K J 1/10W		R263			RK73GB2A223J	CHIP R 22K J 1/10W	
R205			RK73GB2A223J	CHIP R 22K J 1/10W		R265			RK73GB2A102J	CHIP R 1.0K J 1/10W	
R206			RK73EB2E820J	CHIP R 82 J 1/4W		R266			RK73EB2E101J	CHIP R 100 J 1/4W	
R207			RK73FB2B203J	CHIP R 20K J 1/8W		R267			RK73GB2A750J	CHIP R 75 J 1/10W	
R208			RK73FB2B103J	CHIP R 10K J 1/8W		R300			RK73GB2A104J	CHIP R 100K J 1/10W	
R209			RK73GB2A223J	CHIP R 22K J 1/10W		R301,302			RK73GB2A101J	CHIP R 100 J 1/10W	
R210			RK73GB2A104J	CHIP R 100K J 1/10W		R303			RK73GB2A104J	CHIP R 100K J 1/10W	
R211			RK73GB2A361J	CHIP R 360 J 1/10W		R304			RK73GB2A101J	CHIP R 100 J 1/10W	
R212			RK73EB2E820J	CHIP R 82 J 1/4W		R305			RK73GB2A104J	CHIP R 100K J 1/10W	
R213			RK73FB2B203J	CHIP R 20K J 1/8W		R306			RK73GB2A103J	CHIP R 10K J 1/10W	
R214			RK73FB2B103J	CHIP R 10K J 1/8W		R307			RK73GB2A101J	CHIP R 100 J 1/10W	
R215			RK73GB2A361J	CHIP R 360 J 1/10W		R308			RK73GB2A104J	CHIP R 100K J 1/10W	
R216			RK73GB2A104J	CHIP R 100K J 1/10W		R309			RK73GB2A101J	CHIP R 100 J 1/10W	
R217			RK73GB2A223J	CHIP R 22K J 1/10W		R311			RK73GB2A101J	CHIP R 100 J 1/10W	
R218,219			RK73GB2A473J	CHIP R 47K J 1/10W		R312,313			RK73GB2A104J	CHIP R 100K J 1/10W	
R220			RK73GB2A223J	CHIP R 22K J 1/10W		R314			RK73GB2A103J	CHIP R 10K J 1/10W	
R221			RK73GB2A104J	CHIP R 100K J 1/10W		R315			RK73GB2A101J	CHIP R 100 J 1/10W	
R222			RK73EB2E820J	CHIP R 82 J 1/4W		R316			RK73GB2A103J	CHIP R 10K J 1/10W	
R223			RK73FB2B203J	CHIP R 20K J 1/8W		R317			RK73GB2A101J	CHIP R 100 J 1/10W	
R224			RK73FB2B103J	CHIP R 10K J 1/8W		R319			RK73GB2A473J	CHIP R 47K J 1/10W	
R225,226			RK73GB2A361J	CHIP R 360 J 1/10W		R320,321			RK73GB2A104J	CHIP R 100K J 1/10W	
R227			RK73FB2B203J	CHIP R 20K J 1/8W		R322			RK73GB2A101J	CHIP R 100 J 1/10W	
R228			RK73FB2B103J	CHIP R 10K J 1/8W		R323			RK73GB2A104J	CHIP R 100K J 1/10W	
R229			RK73GB2A104J	CHIP R 100K J 1/10W		R324			RK73GB2A101J	CHIP R 100 J 1/10W	
R230			RK73EB2E820J	CHIP R 82 J 1/4W		R325			RK73GB2A472J	CHIP R 4.7K J 1/10W	
R231,232			RK73GB2A223J	CHIP R 22K J 1/10W		R326			RK73GB2A101J	CHIP R 100 J 1/10W	
R233			RK73GB2A104J	CHIP R 100K J 1/10W		R327			RK73GB2A472J	CHIP R 4.7K J 1/10W	
R234			RK73GB2A361J	CHIP R 360 J 1/10W		R328			RK73GB2A104J	CHIP R 100K J 1/10W	

E1 : KVT-827DVD E2 : KVT-827DVDY (Europe)  
K : KVT-817DVD (North America) X1 : KVT-847DVD (Australia)  
C : KVT-867DVD (China) M1 : KVT-837DVD (Other Areas)

△ Indicates safety critical components.

# PARTS LIST

## ELECTRIC UNIT (X34-355/381x-xx)

Ref. No.	A d d	N e w	Parts No.	Description	Desti- nation
R329			RK73GB2A101J	CHIP R 100 J 1/10W	
R330			RK73GB2A222J	CHIP R 2.2K J 1/10W	
R331			RK73GB2A102J	CHIP R 1.0K J 1/10W	
R333			RK73GB2A101J	CHIP R 100 J 1/10W	
R334			RK73GB2A104J	CHIP R 100K J 1/10W	
R335			RK73GB2A222J	CHIP R 2.2K J 1/10W	
R337			RK73GB2A101J	CHIP R 100 J 1/10W	
R339			RK73GB2A103J	CHIP R 10K J 1/10W	
R341			RK73GB2A103J	CHIP R 10K J 1/10W	
R343-345			RK73GB2A101J	CHIP R 100 J 1/10W	
R346			RK73GB2A104J	CHIP R 100K J 1/10W	
R347			RK73GB2A101J	CHIP R 100 J 1/10W	
R348			RK73GB2A104J	CHIP R 100K J 1/10W	
R349			RK73GB2A101J	CHIP R 100 J 1/10W	
R350			RK73GB2A104J	CHIP R 100K J 1/10W	
R351			RK73GB2A101J	CHIP R 100 J 1/10W	
R352			RK73GB2A104J	CHIP R 100K J 1/10W	
R353			RK73GB2A101J	CHIP R 100 J 1/10W	
R354			RK73GB2A104J	CHIP R 100K J 1/10W	
R355			RK73GB2A222J	CHIP R 2.2K J 1/10W	
R356			RK73GB2A104J	CHIP R 100K J 1/10W	
R357			RK73GB2A223J	CHIP R 22K J 1/10W	
R358-360			RK73GB2A104J	CHIP R 100K J 1/10W	
R362			RK73GB2A223J	CHIP R 22K J 1/10W	
R363			RK73GB2A103J	CHIP R 10K J 1/10W	
R365			RK73GB2A103J	CHIP R 10K J 1/10W	X1C
R366,367			RK73GB2A103J	CHIP R 10K J 1/10W	KE1E2
R366,367			RK73GB2A103J	CHIP R 10K J 1/10W	M1
R367			RK73GB2A103J	CHIP R 10K J 1/10W	X1C
R369			RK73GB2A103J	CHIP R 10K J 1/10W	E1E2M1
R370			RK73GB2A103J	CHIP R 10K J 1/10W	X1C
R370,371			RK73GB2A103J	CHIP R 10K J 1/10W	K
R371			RK73GB2A103J	CHIP R 10K J 1/10W	M1
R372			RK73GB2A103J	CHIP R 10K J 1/10W	C
R372			RK73GB2A103J	CHIP R 10K J 1/10W	E1E2X1
R400			RK73GB2A103J	CHIP R 10K J 1/10W	
R401			RK73GB2A334J	CHIP R 330K J 1/10W	
R402			RK73GB2A561J	CHIP R 560 J 1/10W	
R403			RK73GB2A102J	CHIP R 1.0K J 1/10W	
R404			RK73GB2A222J	CHIP R 2.2K J 1/10W	
R412-415			RK73GB2A103J	CHIP R 10K J 1/10W	
R500,501			RK73EB2E100J	CHIP R 10 J 1/4W	
R502			RK73EB2E4R7J	CHIP R 4.7 J 1/4W	
R503			RK73GB2A102J	CHIP R 1.0K J 1/10W	
R504			RK73GB2A222J	CHIP R 2.2K J 1/10W	
R505			RK73EB2E472J	CHIP R 4.7K J 1/4W	
R506			RK73EB2E101J	CHIP R 100 J 1/4W	
R507-510			RK73EB2E472J	CHIP R 4.7K J 1/4W	
R511,512			RK73EB2E101J	CHIP R 100 J 1/4W	
R513,514			RK73GB2A103J	CHIP R 10K J 1/10W	
R515-517			RK73EB2E102J	CHIP R 1.0K J 1/4W	
R518			RK73EB2E101J	CHIP R 100 J 1/4W	
R519-521			RK73EB2E102J	CHIP R 1.0K J 1/4W	
R522			RK73EB2E101J	CHIP R 100 J 1/4W	
R523-526			RK73EB2E750J	CHIP R 75 J 1/4W	

Ref. No.	A d d	N e w	Parts No.	Description	Desti- nation
R527			RK73GB2A750J	CHIP R 75 J 1/10W	
R528			RK73EB2E4R7J	CHIP R 4.7 J 1/4W	
R529			RK73EB2E681J	CHIP R 680 J 1/4W	
R530			RK73EB2E150J	CHIP R 15 J 1/4W	
R531			RK73EB2E100J	CHIP R 10 J 1/4W	
R532			RK73EB2E4R7J	CHIP R 4.7 J 1/4W	
R533			RK73EB2E100J	CHIP R 10 J 1/4W	
R534,535			RK73EB2E102J	CHIP R 1.0K J 1/4W	
R536-538			RK73EB2E101J	CHIP R 100 J 1/4W	
R539,540			RK73EB2E102J	CHIP R 1.0K J 1/4W	
R541-548			RK73GB2A750J	CHIP R 75 J 1/10W	E1E2
R544-548			RK73GB2A750J	CHIP R 75 J 1/10W	KM1X1C
R549-551			RK73EB2E102J	CHIP R 1.0K J 1/4W	
R552			RK73EB2E4R7J	CHIP R 4.7 J 1/4W	
R553,554			RK73EB2E100J	CHIP R 10 J 1/4W	
R565			RK73EB2E101J	CHIP R 100 J 1/4W	KM1X1C
R565-572			RK73EB2E101J	CHIP R 100 J 1/4W	E1E2
R569-572			RK73EB2E101J	CHIP R 100 J 1/4W	KM1X1C
R594			RK73GB2A104J	CHIP R 100K J 1/10W	
R800			RK73EB2E102J	CHIP R 1.0K J 1/4W	
R801			RK73GB2A104J	CHIP R 100K J 1/10W	
R802,803			RK73GB2A102J	CHIP R 1.0K J 1/10W	
R804-811			RK73GB2A103J	CHIP R 10K J 1/10W	
R850-856			RK73EB2E101J	CHIP R 100 J 1/4W	
W1			R92-1252-05	CHIP R 0 OHM J 1/16W	E1E2
W50			RK73EB2E000J	CHIP R 0.0 J 1/4W	
W100			R92-1252-05	CHIP R 0 OHM J 1/16W	
W250,251			R92-1252-05	CHIP R 0 OHM J 1/16W	
W300			R92-1252-05	CHIP R 0 OHM J 1/16W	
W800			R92-1252-05	CHIP R 0 OHM J 1/16W	
W801			RK73EB2E000J	CHIP R 0.0 J 1/4W	
D1-8		*	M1F60-5063	DIODE	
D9			RM10ZLFNF	DIODE	
D10			1SR154-400	DIODE	E1E2
D10,11			1SR154-400	DIODE	KM1X1C
D12			DAP202U	DIODE	
D13,14			1SR154-400	DIODE	
D15			UDZS6.8B	ZENER DIODE	
D16			UDZS5.6B	ZENER DIODE	
D17			UDZS4.7B	ZENER DIODE	
D18			DAP202U	DIODE	
D19			UDZS6.8B	ZENER DIODE	
D50			UDZS9.1B	ZENER DIODE	
D52			UDZS11B	ZENER DIODE	
D54,55			UDZS5.6B	ZENER DIODE	
D100,101			DAP202U	DIODE	
D150			UDZS6.8B	ZENER DIODE	
D151			DA227	DIODE	
D152			UDZS16B	ZENER DIODE	
D155,156			IMN10	DIODE	
D157			DAP202U	DIODE	
D200			DAP202U	DIODE	
D201			STZ6.2N	ZENER DIODE	
D203,204			DAP202U	DIODE	

E1 : KVT-827DVD E2 : KVT-827DVDY (Europe)  
K : KVT-817DVD (North America) X1 : KVT-847DVD (Australia)  
C : KVT-867DVD (China) M1 : KVT-837DVD (Other Areas)

△ Indicates safety critical components.

# PARTS LIST

## ELECTRIC UNIT (X34-355/381x-xx)

Ref. No.	Add	New	Parts No.	Description	Destination
D205			UDZS4.7B	ZENER DIODE	
D206			STZ6.2N	ZENER DIODE	
D207-209			STZ6.8N	ZENER DIODE	
D210			STZ6.2N	ZENER DIODE	
D211			STZ6.8N	ZENER DIODE	
D212-214			DAP202U	DIODE	
D216			DAP202U	DIODE	
D218			STZ6.8N	ZENER DIODE	
D252			IMSA-6801-E	SURGE ABSORBER	
D300			DA227	DIODE	
D413			UDZS4.7B	ZENER DIODE	
D414			DAP202U	DIODE	
D500,501			STZ6.8N	ZENER DIODE	
D502			UDZS4.7B	ZENER DIODE	
D503			DAP202U	DIODE	
D504-507			STZ6.2N	ZENER DIODE	
D508			DAN202U	DIODE	
D509-519			STZ6.2N	ZENER DIODE	
D520,521			STZ6.8N	ZENER DIODE	
D522-525			STZ6.2N	ZENER DIODE	
D522-535			STZ6.2N	ZENER DIODE	E1E2
D529-535			STZ6.2N	ZENER DIODE	
D536,537			DA204U	DIODE	
D538			STZ6.2N	ZENER DIODE	
D539			STZ6.8N	ZENER DIODE	
D800			STZ6.2N	ZENER DIODE	KM1X1C
D850,851			DA204U	DIODE	
IC50,51			M5237ML-CF0J	ANALOGUE IC	
IC52			ICL7660SIBAZ	ANALOGUE IC	
IC53			BA178M05T	ANALOGUE IC	
IC54			M5237ML-CF0J	ANALOGUE IC	
IC100			E-TDA7560A	ANALOGUE IC	
IC150			NJM4565V-ZB	ANALOGUE IC	
IC151			E-TDA7415	ANALOGUE IC	
IC200-202			NJM4565V-ZB	ANALOGUE IC	
IC203,204			BA3121F	ANALOGUE IC	
IC251			E-TDA7479AD	ANALOGUE IC	
IC251			E-TDA7479AD	ANALOGUE IC	
IC300			S-80842CNNB-G	MOS-IC	
IC301			SN74HC02APWR	MOS-IC	
IC303		*	703068YGJ128A	MICROCONTROLLER IC	
IC400-402		*	MM1508XNRE-E	ANALOGUE IC	
IC403		*	MM1108XFFE-E	ANALOGUE IC	
IC404		*	BA7653AFV	ANALOGUE IC	
IC405		*	BA3121F	ANALOGUE IC	
IC406			BA7652AF	ANALOGUE IC	
IC407,408			MM1228XFBE-E	ANALOGUE IC	
IC413,414			TC4052BFT	MOS-IC	
IC415		*	MM1503-E	ANALOGUE IC	
IC416			BA7652AF	ANALOGUE IC	
IC500			BA3121F	ANALOGUE IC	
IC501		*	TC7SET04FU-F	MOS-IC	
IC502			TC7SH08FU-F	MOS-IC	
Q1			2SB1189	TRANSISTOR	
Q2			2SC4081	TRANSISTOR	

Ref. No.	Add	New	Parts No.	Description	Destination
Q3			2SA1576A	TRANSISTOR	KM1X1C E1E2
Q4			2SC4081	TRANSISTOR	
Q6,7			DTC114YUA	DIGITAL TRANSISTOR	
Q7			DTC114YUA	DIGITAL TRANSISTOR	
Q8			DTA114EUA	DIGITAL TRANSISTOR	
Q9,10			2SB1188(Q,R)	TRANSISTOR	
Q10			2SB1188(Q,R)	TRANSISTOR	
Q11			2SA1576A	TRANSISTOR	
Q12			2SC4081	TRANSISTOR	KM1X1C E1E2
Q13			DTA123JK	DIGITAL TRANSISTOR	
Q14			2SA1576A	TRANSISTOR	
Q15			2SC4081	TRANSISTOR	
Q50			2SB1443	TRANSISTOR	
Q51			2SC4081	TRANSISTOR	
Q52			UMC2N	TRANSISTOR	
Q53,54			2SC4081	TRANSISTOR	
Q55,56			UMC2N	TRANSISTOR	
Q57			2SB1565	TRANSISTOR	
Q58			2SB1184	TRANSISTOR	
Q59,60			2SB1565	TRANSISTOR	
Q61			UMC2N	TRANSISTOR	
Q62			DTC114EUA	DIGITAL TRANSISTOR	
Q63			2SA1576A	TRANSISTOR	
Q64			2SB1565	TRANSISTOR	
Q65			2SA1576A	TRANSISTOR	
Q66			2SC4081	TRANSISTOR	KM1X1C
Q67			2SA1576A	TRANSISTOR	
Q68			2SC4617	TRANSISTOR	
Q69			2SA1774	TRANSISTOR	
Q70			2SC4617	TRANSISTOR	
Q150			UMC2N	TRANSISTOR	
Q151			2SA1774	TRANSISTOR	
Q152			2SC2873-F	TRANSISTOR	
Q200-202			DTC323TU	DIGITAL TRANSISTOR	
Q203			2SA1576A	TRANSISTOR	
Q204-207			DTC323TU	DIGITAL TRANSISTOR	
Q208			DTA144EUA	DIGITAL TRANSISTOR	
Q209			DTC323TU	DIGITAL TRANSISTOR	
Q250			DTC124EUA	DIGITAL TRANSISTOR	
Q252			2SB1689	TRANSISTOR	
Q403-406			DTC124EUA	DIGITAL TRANSISTOR	
Q500			DTA124EUA	DIGITAL TRANSISTOR	
Q800			DTC124EUA	DIGITAL TRANSISTOR	
TH100		*	PRF18BE471QS2	POSITIVE RESISTOR	
A250	2H	*	X86-3930-11	FRONT-END UNIT	
A250	2H	*	X86-3932-70	FRONT-END UNIT	
A250	2H	*	X86-3942-10	FRONT-END UNIT	
<b>VIDEO UNIT (X35-448/449x-xx)</b>					
D603			B30-1605-05	LED (2COLOR PG/RED)	
C1,2		*	C93-1396-05	CHIP C 10UF Z	
C3			C93-1283-05	CHIP C 1.0UF K	
C5			C93-1363-05	CHIP C 10PF 3KWV	
C6			C93-1361-05	CHIP C 0.012UF 16WV	
C7			CK73GB1H473K	CHIP C 0.047UF K	

E1 : KVT-827DVD E2 : KVT-827DVDY (Europe)  
K : KVT-817DVD (North America) X1 : KVT-847DVD (Australia)  
C : KVT-867DVD (China) M1 : KVT-837DVD (Other Areas)

△ Indicates safety critical components.

# PARTS LIST

## VIDEO UNIT (X35-448/449x-xx)

Ref. No.	A d d	N e w	Parts No.	Description	Desti- nation
C8			C93-1269-05	CHIP C 220PF J	
C9			CK73GB0J225K	CHIP C 2.2UF K	
C10			CK73GB1H103K	CHIP C 0.010UF K	
C11			CK73GB0J225K	CHIP C 2.2UF K	
C13			CK73GB1A474K	CHIP C 0.47UF K	
C14			CK73HB1C103K	CHIP C 0.010UF K	
C15			CK73GB1H473K	CHIP C 0.047UF K	
C16			CK73HB1C183K	CHIP C 0.018UF K	
C17			CK73HB1C103K	CHIP C 0.010UF K	
C18			C93-1283-05	CHIP C 1.0UF K	
C21			CK73GB0J225K	CHIP C 2.2UF K	
C22			CK73HB1H152K	CHIP C 1500PF K	
C23		*	C93-1396-05	CHIP C 10UF Z	
C24			CK73GB1H103K	CHIP C 0.010UF K	
C25		*	C93-1286-05	CHIP C 2700PF	
C26			CK73GB1H103K	CHIP C 0.010UF K	
C30			C93-1283-05	CHIP C 1.0UF K	
C100			CC73GCH1H151J	CHIP C 150PF J	
C101			CK73GB1H104K	CHIP C 0.10UF K	
C102			CK73EB1C106K	CHIP C 10UF K	
C103			CK73GB1H103K	CHIP C 0.010UF K	
C105			CE32AU1C390M	CHIP EL 39UF 16WV	
C106			CK73GB1H103K	CHIP C 0.010UF K	
C108			CE32AU1C390M	CHIP EL 39UF 16WV	
C109			CK73FB1C105K	CHIP C 1.0UF K	
C110			CK73GB1H103K	CHIP C 0.010UF K	
C111			C93-1367-05	CHIP C 10UF K	
C112			CK73FB1E154K	CHIP C 0.15UF K	
C113			CK73EB1E225K	CHIP C 2.2UF K	
C114			CK73GB1C224K	CHIP C 0.22UF K	
C115			CK73GB1H104K	CHIP C 0.10UF K	
C116			CE32BF0J221M	CHIP EL 220UF 6.3WV	
C118			CK73GB1H103K	CHIP C 0.010UF K	
C211			CK73EB1A475K	CHIP C 4.7UF K	
C230			CK73GB1H103K	CHIP C 0.010UF K	
C231,232		*	C93-1396-05	CHIP C 10UF Z	
C233			CK73GB1H103K	CHIP C 0.010UF K	
C234			CC73HCH1H560J	CHIP C 56PF J	
C300			CK73GB1H103K	CHIP C 0.010UF K	
C301,302		*	C93-1396-05	CHIP C 10UF Z	
C303			CK73GB1H103K	CHIP C 0.010UF K	
C304			CK73GB1H104K	CHIP C 0.10UF K	
C305,306			CK73GB1H103K	CHIP C 0.010UF K	
C307			CK73EB1C106K	CHIP C 10UF K	
C308			CK73GB1H103K	CHIP C 0.010UF K	
C309			CC73HCH1H100D	CHIP C 10PF D	
C310			CK73HB1H561K	CHIP C 560PF K	
C311			CK73HB1C103K	CHIP C 0.010UF K	
C312			CK73GB1H103K	CHIP C 0.010UF K	
C313,314			CK73HB1C103K	CHIP C 0.010UF K	
C315,316			CK73GB1H104K	CHIP C 0.10UF K	
C317			CK73HB1C103K	CHIP C 0.010UF K	
C318,319			CK73GB1H104K	CHIP C 0.10UF K	
C320			CC73HCH1H560J	CHIP C 56PF J	
C321			CK73GB1H104K	CHIP C 0.10UF K	

Ref. No.	A d d	N e w	Parts No.	Description	Desti- nation
C322			CC73GCH1E102J	CHIP C 1000PF J	
C323			CC73HCH1H101J	CHIP C 100PF J	
C324,325			CK73HB1C103K	CHIP C 0.010UF K	
C326			CC73GCH1H681J	CHIP C 680PF J	
C327,328			CK73GB1H104K	CHIP C 0.10UF K	
C329			CC73HCH1H101J	CHIP C 100PF J	
C330			CK73EB1C106K	CHIP C 10UF K	
C331,332			CC73HCH1H390J	CHIP C 39PF J	
C333			CK73GB1H104K	CHIP C 0.10UF K	
C334			CK73GB1H103K	CHIP C 0.010UF K	
C335,336			CK73GB1H104K	CHIP C 0.10UF K	
C337			CK73HB1C103K	CHIP C 0.010UF K	
C342			CC73HCH1H100D	CHIP C 10PF D	
C401			CK73HB1H102K	CHIP C 1000PF K	
C421,422			CK73FB1C105K	CHIP C 1.0UF K	
C423			CK73EB1C106K	CHIP C 10UF K	
C424			CK73HB1C103K	CHIP C 0.010UF K	
C425			CK73FB1C105K	CHIP C 1.0UF K	
C426			CK73EB1E105K	CHIP C 1.0UF K	
C427			CK73FB1A225K	CHIP C 2.2UF K	
C428			CK73FB0J106K	CHIP C 10UF K	
C501-503			CK73HB1C103K	CHIP C 0.010UF K	
C504			CK73EB1C106K	CHIP C 10UF K	
C505			CK73HB1H271K	CHIP C 270PF K	
CN1			E41-2483-05	PIN ASSY	
CN301		*	E41-2526-05	FLAT CABLE CONNECTOR	
CN302		*	E41-2547-05	FLAT CABLE CONNECTOR	
CN303		*	E41-2444-05	FLAT CABLE CONNECTOR	
CN304		*	E41-2435-05	FLAT CABLE CONNECTOR	
CN305			E41-2359-05	PIN ASSY	
CN501			E41-2087-05	FLAT CABLE CONNECTOR	
CN502		*	E41-2547-05	FLAT CABLE CONNECTOR	
CN503		*	E41-2564-05	FLAT CABLE CONNECTOR	
CN601		*	E41-2548-05	FLAT CABLE CONNECTOR	
F1		*	F53-0297-05	FUSE (UL, CSA)	
F100		*	F53-0280-05	FUSE	
L1		*	L19-0783-05	TRANSFORMER FOR CONVERTER	
L101,102			L41-3392-13	SMALL FIXED INDUCTOR (3.3UH)	
L103			L41-4792-13	SMALL FIXED INDUCTOR (4.7UH)	
L104-106			L41-1005-33	SMALL FIXED INDUCTOR (10U)	
L302,303			L41-1005-33	SMALL FIXED INDUCTOR (10U)	
L306			L41-5695-33	SMALL FIXED INDUCTOR (5.6U)	
L307		*	L41-8281-15	SMALL FIXED INDUCTOR (0.82U)	
L401			L41-1005-33	SMALL FIXED INDUCTOR (10U)	
L501			L41-1005-33	SMALL FIXED INDUCTOR (10U)	
CP301,302			RK74HB1J102J	CHIP-COM 1.0K J 1/16W	
CP303			RK74HB1J101J	CHIP-COM 100 J 1/16W	
R1			RK73HB1J512J	CHIP R 5.1K J 1/16W	
R3			RK73HB1J220J	CHIP R 22 J 1/16W	
R4			RN73GH1J433D	CHIP R 43K D 1/16W	
R5			RK73HB1J153J	CHIP R 15K J 1/16W	
R6			RN73GH1J513D	CHIP R 51K D 1/16W	
R7			RK73HB1J220J	CHIP R 22 J 1/16W	
R8			RK73HB1J512J	CHIP R 5.1K J 1/16W	

E1 : KVT-827DVD E2 : KVT-827DVDY (Europe)  
K : KVT-817DVD (North America) X1 : KVT-847DVD (Australia)  
C : KVT-867DVD (China) M1 : KVT-837DVD (Other Areas)

△ Indicates safety critical components.

# PARTS LIST

## VIDEO UNIT (X35-448/449x-xx)

Ref. No.	Add	New	Parts No.	Description	Destination	Ref. No.	Add	New	Parts No.	Description	Destination
R9			RK73GH2A244D	CHIP R 240K D 1/10W		R348			RK73HB1J362J	CHIP R 3.6K J 1/16W	
R10			RK73HB1J331J	CHIP R 330 J 1/16W		R349			RK73HB1J752J	CHIP R 7.5K J 1/16W	
R11			RK73HB1J220J	CHIP R 22 J 1/16W		R350-352			RK73HB1J101J	CHIP R 100 J 1/16W	
R12			RK73HB1J105J	CHIP R 1.0M J 1/16W		R353			RK73HB1J103J	CHIP R 10K J 1/16W	
R13			RK73HB1J220J	CHIP R 22 J 1/16W		R354	*		RK73HB1J300J	CHIP R 30 J 1/16W	
R14			RN73GH1J4530D	CHIP R 453.0 D 1/16W		R355			RK73HB1J820J	CHIP R 82 J 1/16W	
R15			RN73GH1J513D	CHIP R 51K D 1/16W		R356			RK73HB1J103J	CHIP R 10K J 1/16W	
R16,17			RK73HB1J220J	CHIP R 22 J 1/16W		R357			RK73HB1J000JK	CHIP R 0.0 J 1/16W	
R18			RK73HB1J222J	CHIP R 2.2K J 1/16W		R359,360			RK73HB1J100J	CHIP R 10 J 1/16W	
R19			RK73HB1J101J	CHIP R 100 J 1/16W		R366			RK73HB1J000JK	CHIP R 0.0 J 1/16W	
R21			RK73HB1J000JK	CHIP R 0.0 J 1/16W		R371			RK73HB1J000JK	CHIP R 0.0 J 1/16W	
R22-26			RK73HB1J102J	CHIP R 1.0K J 1/16W		R373,374			RK73HB1J561J	CHIP R 560 J 1/16W	
R28		*	RK73GB2A515J	CHIP R 5.1M J 1/10W		R385			RK73HB1J000JK	CHIP R 0.0 J 1/16W	
R29			RK73GB2A104J	CHIP R 100K J 1/10W		R388			RK73HB1J000JK	CHIP R 0.0 J 1/16W	
R101			RK73GH2A104D	CHIP R 100K D 1/10W		R402			RK73HB1J392J	CHIP R 3.9K J 1/16W	
R102			RK73GH2A113D	CHIP R 11K D 1/10W		R403			RK73HB1J822J	CHIP R 8.2K J 1/16W	
R103			RK73GH2A184D	CHIP R 180K D 1/10W		R404			RK73HB1J243J	CHIP R 24K J 1/16W	
R104			RK73GH2A133D	CHIP R 13K D 1/10W		R422			RK73HB1J683J	CHIP R 68K J 1/16W	
R105			RK73HB1J473J	CHIP R 47K J 1/16W		R423			RK73HB1J104J	CHIP R 100K J 1/16W	
R106			RK73HB1J103J	CHIP R 10K J 1/16W		R441			RK73GB2A681J	CHIP R 680 J 1/10W	
R218			RK73HB1J102J	CHIP R 1.0K J 1/16W		R453			RK73GB2A681J	CHIP R 680 J 1/10W	
R219			RK73HB1J513J	CHIP R 51K J 1/16W		R454			RK73GB2A331J	CHIP R 330 J 1/10W	
R234			RN73GH1J472D	CHIP R 4.7K D 1/16W		R456			RK73GB2A331J	CHIP R 330 J 1/10W	
R235			RN73GH1J912D	CHIP R 9.1K D 1/16W		R501,502			RK73HB1J333J	CHIP R 33K J 1/16W	
R236			RN73GH1J222D	CHIP R 2.2K D 1/16W		R503-506			RK73EB2E100J	CHIP R 10 J 1/4W	
R240			RK73HB1J220J	CHIP R 22 J 1/16W		R600			RK73HB1J100J	CHIP R 10 J 1/16W	
R242			RK73HB1J220J	CHIP R 22 J 1/16W		R642			RK73HB1J471J	CHIP R 470 J 1/16W	
R253			RK73HB1J000JK	CHIP R 0.0 J 1/16W		R652,653			RK73GB2A151J	CHIP R 150 J 1/10W	
R256,257			RK73HB1J000JK	CHIP R 0.0 J 1/16W		R663,664			RK73GB2A271J	CHIP R 270 J 1/10W	
R300			RK73GB2A103J	CHIP R 10K J 1/10W		VR203			R32-0328-05	SEMI FIXED VARIABLE RESISTOR	
R302			RK73HB1J221J	CHIP R 220 J 1/16W		VR301			R32-0328-05	SEMI FIXED VARIABLE RESISTOR	
R307			RK73HB1J101J	CHIP R 100 J 1/16W		W216,217			RK73FB2B000J	CHIP R 0.0 J 1/8W	
R308			RK73HB1J621J	CHIP R 620 J 1/16W		W301-304			R92-1252-05	CHIP R 0 OHM J 1/16W	
R309			RK73HB1J000JK	CHIP R 0.0 J 1/16W		W310			R92-1252-05	CHIP R 0 OHM J 1/16W	
R310			RK73HB1J101J	CHIP R 100 J 1/16W		W354-356			R92-1252-05	CHIP R 0 OHM J 1/16W	
R316			RK73HB1J102J	CHIP R 1.0K J 1/16W		S401-404	*		S70-0937-05	TACT SWITCH	
R318			RK73HB1J102J	CHIP R 1.0K J 1/16W		S601			S70-0919-05	TACT SWITCH	
R320			RK73HB1J000JK	CHIP R 0.0 J 1/16W		D1,2			UDZS4.7B	ZENER DIODE	
R321			RN73GH1J472D	CHIP R 4.7K D 1/16W		D3			1SS355	DIODE	
R323			RK73HB1J000JK	CHIP R 0.0 J 1/16W		D4,5			DA204U	DIODE	
R324,325			RN73GH1J472D	CHIP R 4.7K D 1/16W		D6	*		MA2S784-F	DIODE	
R326			RK73HH1J473D	CHIP R 47K D 1/16W		D7			UDZS5.6B	ZENER DIODE	
R327			RK73HH1J683D	CHIP R 68K D 1/16W		D9			DA204U	DIODE	
R328			RK73HH1J153D	CHIP R 15K D 1/16W		D10			AVRM1005270MAA	VARIATOR	E1E2
R329			RK73HH1J101D	CHIP R 100 D 1/16W		D10			AVRM1005270MAA	VARIATOR	KM1X1
R330			RK73HH1J182D	CHIP R 1.8K D 1/16W		D10	*		AVRM10270MAA	VARIATOR	C
R331		*	RK73HH1J331D	CHIP R 330 D 1/16W		D101			EP05Q04	DIODE	
R332			RK73HH1J332D	CHIP R 3.3K D 1/16W		D102			EP05Q06	DIODE	
R333-335			RK73HB1J000JK	CHIP R 0.0 J 1/16W		D103,104			EP05Q04	DIODE	
R337,338			RK73HB1J101J	CHIP R 100 J 1/16W		D301			UDZS5.1B	ZENER DIODE	
R339			RK73HB1J102J	CHIP R 1.0K J 1/16W		D302,303			DA204U	DIODE	
R340-344			RK73HB1J101J	CHIP R 100 J 1/16W		D304			UDZS5.1B	ZENER DIODE	
R345			RK73HH1J683D	CHIP R 68K D 1/16W		D305,306			DA204U	DIODE	
R346			RK73HH1J105D	CHIP R 1.0M D 1/16W		D309	*		1SV231-F	VARIABLE CAPACITANCE DIODE	
R347			RK73HH1J153D	CHIP R 15K D 1/16W							

E1 : KVT-827DVD E2 : KVT-827DVDY (Europe)  
K : KVT-817DVD (North America) X1 : KVT-847DVD (Australia)  
C : KVT-867DVD (China) M1 : KVT-837DVD (Other Areas)

△ Indicates safety critical components.

# PARTS LIST

## VIDEO UNIT (X35-448/449x-xx)

Ref. No.	Add	New	Parts No.	Description	Destination
D312,313			AVRM1608120M6A	VARISTOR	E1E2
D312,313			AVRM1608120M6A	VARISTOR	KM1X1
D312,313		*	AVRM16120M6A	VARISTOR	C
D314			DA204U	DIODE	
D401			AVRM1608120M6A	VARISTOR	E1E2
D401			AVRM1608120M6A	VARISTOR	KM1X1
D401		*	AVRM16120M6A	VARISTOR	C
D402-410			AVRM1608180M6A	VARISTOR	E1E2
D402-410			AVRM1608180M6A	VARISTOR	KM1X1
D402-410		*	AVRM16180M6A	VARISTOR	C
D501-504			UDZS6.2B	ZENER DIODE	
D601,602			AVRM1608180M6A	VARISTOR	E1E2
D601,602			AVRM1608180M6A	VARISTOR	KM1X1
D601,602		*	AVRM16180M6A	VARISTOR	C
IC1		*	OZ964ISN-C	ANALOGUE IC	
IC101		*	LT1947-PBF	ANALOGUE IC	
IC203		*	TA75W558FU-F	ANALOGUE IC	
IC300		*	TC7WH126FU-F	MOS-IC	
IC301		*	TC200G02G0104	MOS-IC	
IC302		*	TC7SH08FU-F	MOS-IC	
IC303			NJM2107F-ZB	ANALOGUE IC	
IC401			TPS850	ANALOGUE IC	
Q1			2SC4081	TRANSISTOR	
Q2,3		*	SI5513DC-E3	DUAL FET	
Q5			2SC4081	TRANSISTOR	
Q202			2SC4097	TRANSISTOR	
Q203			2SA1577	TRANSISTOR	
Q300			DTC124EUA	DIGITAL TRANSISTOR	
Q301			2SC4097	TRANSISTOR	
Q302,303			2SC4081	TRANSISTOR	
Q501			DTC124EE	DIGITAL TRANSISTOR	
Q502,503			PUMD10	DUAL TRANSISTOR	
Q601			DTC124EE	DIGITAL TRANSISTOR	

## DVD UNIT (X37-1070-00)

C1-3			CK73HB1A104K	CHIP C	0.10UF	K
C4,5			CK73HB0J105K	CHIP C	1.0UF	K
C6			CK73GB0J475K	CHIP C	4.7UF	K
C7			CK73FB0J106M	CHIP C	10UF	M
C8			CK73FB0J226M	CHIP C	22UF	M
C10			CK73HB1A104K	CHIP C	0.10UF	K
C14			CK73FB0J106M	CHIP C	10UF	M
C15			CK73HB0J105K	CHIP C	1.0UF	K
C16			CK73HB1A104K	CHIP C	0.10UF	K
C17			CK73HB0J105K	CHIP C	1.0UF	K
C18			CK73HB1H332K	CHIP C	3300PF	K
C19			CK73HB1A104K	CHIP C	0.10UF	K
C20			CK73FB0J106M	CHIP C	10UF	M
C21			CK73FB0J226M	CHIP C	22UF	M
C23			CK73HB1A104K	CHIP C	0.10UF	K
C24			CC73GCH1H471J	CHIP C	470PF	J
C25			CK73HB1A104K	CHIP C	0.10UF	K
C26			CK73HB1A473K	CHIP C	0.047UF	K
C27			CK73HB1A104K	CHIP C	0.10UF	K
C28			CK73HB1C103K	CHIP C	0.010UF	K

Ref. No.	Add	New	Parts No.	Description	Destination
C29			CK73HB0J105K	CHIP C	1.0UF K
C31			CK73HB1C223K	CHIP C	0.022UF K
C32			CC73HCH1H470J	CHIP C	47PF J
C33			CC73GCH1H102J	CHIP C	1000PF J
C35			CC73GCH1H102J	CHIP C	1000PF J
C36			CC73GCH1H681J	CHIP C	680PF J
C37			CK73HB1E682K	CHIP C	6800PF K
C38			CK73HB0J105K	CHIP C	1.0UF K
C39			CC73GCH1H331J	CHIP C	330PF J
C40			CC73GCH1H102J	CHIP C	1000PF J
C41			CK73HB0J105K	CHIP C	1.0UF K
C42			CC73GCH1H681J	CHIP C	680PF J
C43			CK73HB1H222K	CHIP C	2200PF K
C44			CK73HB1H152K	CHIP C	1500PF K
C45			CK73HB1H102K	CHIP C	1000PF K
C46			CK73HB1A104K	CHIP C	0.10UF K
C47-52			CK73HB0J105K	CHIP C	1.0UF K
C53			CK73HB1A104K	CHIP C	0.10UF K
C54,55			CK73HB0J105K	CHIP C	1.0UF K
C56			C93-1228-05	CHIP C	1.0UF M
C57,58			CK73HB0J105K	CHIP C	1.0UF K
C60			CK73HB0J105K	CHIP C	1.0UF K
C61			C93-1228-05	CHIP C	1.0UF M
C62,63			CC73HCH1H120J	CHIP C	12PF J
C64			CK73HB1C103K	CHIP C	0.010UF K
C66			CK73FB0J106M	CHIP C	10UF M
C67			C93-1228-05	CHIP C	1.0UF M
C68,69			CK73HB0J105K	CHIP C	1.0UF K
C70			CK73HB1A104K	CHIP C	0.10UF K
C71			CK73FB0J226M	CHIP C	22UF M
C72,73			CK73HB1A104K	CHIP C	0.10UF K
C76			CK73HB1A104K	CHIP C	0.10UF K
C80			CK73FB0J106M	CHIP C	10UF M
C81			CK73FB0J226M	CHIP C	22UF M
C82			CK73HB1A104K	CHIP C	0.10UF K
C83,84			C92-1908-05	ELECTRO	47UF 6.3WV
C85,86			CK73HB1H102K	CHIP C	1000PF K
C87-89			CK73HB1C103K	CHIP C	0.010UF K
C90			CK73HB1C223K	CHIP C	0.022UF K
C91			CK73HB1A333K	CHIP C	0.033UF K
C92,93			CK73HB1C103K	CHIP C	0.010UF K
C94			CK73GB0J475K	CHIP C	4.7UF K
C95			CK73FB0J106M	CHIP C	10UF M
C96			CK73FB0J226M	CHIP C	22UF M
C97			CK73HB1C103K	CHIP C	0.010UF K
C98			CK73GB0J475K	CHIP C	4.7UF K
C99			CK73FB0J226M	CHIP C	22UF M
C101			CK73FB0J226M	CHIP C	22UF M
C102			C92-1908-05	ELECTRO	47UF 6.3WV
C104			CC73HCH1H100D	CHIP C	10PF D
C105-108			CC73HCH1H151J	CHIP C	150PF J
C109,110			CK73HB1H102K	CHIP C	1000PF K
C120,121			CK73HB1C223K	CHIP C	0.022UF K
CN1			E41-2194-05	FLAT CABLE CONNECTOR	

# PARTS LIST

## DVD UNIT (X37-1070-00)

Ref. No.	Add	New	Parts No.	Description	Destination
CN2			E41-2156-05	FLAT CABLE CONNECTOR	
CN3			E41-2158-05	FLAT CABLE CONNECTOR	
CN4			E41-2197-05	FLAT CABLE CONNECTOR	
CN5			E41-2189-05	FLAT CABLE CONNECTOR	
CN6			E41-2050-05	SOCKET FOR PIN ASSY	
L1-5			L92-0365-05	CHIP FERRITE	
X1			L77-2870-05	CRYSTAL RESONATOR (16.897849M)	
CP2-4			RK74HB1J103J	CHIP-COM 10K J 1/16W	
CP5-9			RK74HB1J330J	CHIP-COM 33 J 1/16W	
CP10			RK74HB1J820J	CHIP-COM 82 J 1/16W	
R1			RK73GH2A101D	CHIP R 100 D 1/10W	
R2,3			RK73HB1J104J	CHIP R 100K J 1/16W	
R8			RK73HB1J104J	CHIP R 100K J 1/16W	
R10			RK73HB1J103J	CHIP R 10K J 1/16W	
R11			RK73HB1J225J	CHIP R 2.2M J 1/16W	
R12			RK73HB1J103J	CHIP R 10K J 1/16W	
R15			RK73GH2A113D	CHIP R 11K D 1/10W	
R16			RK73GH2A273D	CHIP R 27K D 1/10W	
R18			RK73HB1J125J	CHIP R 1.2M J 1/16W	
R21			RK73GH2A153D	CHIP R 15K D 1/10W	
R22			RK73HB1J105J	CHIP R 1.0M J 1/16W	
R23			RK73HB1J472J	CHIP R 4.7K J 1/16W	
R24			RK73GH2A123D	CHIP R 12K D 1/10W	
R25-27			RK73HB1J103J	CHIP R 10K J 1/16W	
R28,29			RK73HB1J102J	CHIP R 1.0K J 1/16W	
R30-32			RK73HB1J132J	CHIP R 1.3K J 1/16W	
R33			RK73HB1J103J	CHIP R 10K J 1/16W	
R34,35			RK73HB1J472J	CHIP R 4.7K J 1/16W	
R36			RK73HB1J102J	CHIP R 1.0K J 1/16W	
R37			RK73HB1J132J	CHIP R 1.3K J 1/16W	
R38,39			RK73HB1J102J	CHIP R 1.0K J 1/16W	
R40,41			RK73HB1J473J	CHIP R 47K J 1/16W	
R45			RK73HB1J105J	CHIP R 1.0M J 1/16W	
R46			RK73HB1J152J	CHIP R 1.5K J 1/16W	
R47			RK73HB1J472J	CHIP R 4.7K J 1/16W	
R49			RK73HB1J273J	CHIP R 27K J 1/16W	
R51			RK73HB1J102J	CHIP R 1.0K J 1/16W	
R52			RK73HB1J132J	CHIP R 1.3K J 1/16W	
R53			RK73HB1J103J	CHIP R 10K J 1/16W	
R54			RK73HB1J220J	CHIP R 22 J 1/16W	
R55			RK73HB1J202J	CHIP R 2.0K J 1/16W	
R56,57			RK73HB1J221J	CHIP R 220 J 1/16W	
R58			RK73GH2A273D	CHIP R 27K D 1/10W	
R59			RK73GB2A150J	CHIP R 15 J 1/10W	
R61			RK73GB2A121J	CHIP R 120 J 1/10W	
R62			R92-3475-05	CHIP R 0.27 F 1/2W	
R63			RK73GB2A241J	CHIP R 240 J 1/10W	
R64			RK73HB1J222J	CHIP R 2.2K J 1/16W	
R65,66			RK73HB1J103J	CHIP R 10K J 1/16W	
R67			RK73HB1J472J	CHIP R 4.7K J 1/16W	
R68,69			RK73HB1J102J	CHIP R 1.0K J 1/16W	
R70,71			RK73GH2A123D	CHIP R 12K D 1/10W	
R72			RK73GH2A333D	CHIP R 33K D 1/10W	
R73			RK73GH2A203D	CHIP R 20K D 1/10W	

Ref. No.	Add	New	Parts No.	Description	Destination
R74			RK73HB1J123J	CHIP R 12K J 1/16W	
R75			RK73HB1J152J	CHIP R 1.5K J 1/16W	
R76			RK73HB1J751J	CHIP R 750 J 1/16W	
R77			RK73HB1J431J	CHIP R 430 J 1/16W	
R78			RK73HB1J472J	CHIP R 4.7K J 1/16W	
R79			R92-5031-05	CHIP R 5.1 F 1/8W	
R80			RK73GB2A3R6J	CHIP R 3.6 J 1/10W	
R81			RK73HB1J134J	CHIP R 130K J 1/16W	
R82			RK73HB1J103J	CHIP R 10K J 1/16W	
R83			RK73HB1J820J	CHIP R 82 J 1/16W	
R84			RK73HB1J103J	CHIP R 10K J 1/16W	
R85			RK73HB1J330J	CHIP R 33 J 1/16W	
R86-88			RK73HB1J820J	CHIP R 82 J 1/16W	
R89,90			RK73HB1J103J	CHIP R 10K J 1/16W	
R91			RK73GH2A101D	CHIP R 100 D 1/10W	
R92			RK73HB1J104J	CHIP R 100K J 1/16W	
R93			RK73HB1J222J	CHIP R 2.2K J 1/16W	
R95			R92-5031-05	CHIP R 5.1 F 1/8W	
R96,97			RK73HB1J102J	CHIP R 1.0K J 1/16W	
R98			R92-5025-05	CHIP R 3.3 F 1/8W	
R100,101			RK73HB1J510J	CHIP R 51 J 1/16W	
R102,103			RK73HB1J202J	CHIP R 2.0K J 1/16W	
R104			RK73HB1J103J	CHIP R 10K J 1/16W	
R105			RK73HB1J132J	CHIP R 1.3K J 1/16W	
R106,107			RK73HB1J103J	CHIP R 10K J 1/16W	
R108			RK73HB1J223J	CHIP R 22K J 1/16W	
R109			RK73HB1J123J	CHIP R 12K J 1/16W	
R110			RK73GH2A132D	CHIP R 1.3K D 1/10W	
R117,118			RK73HB1J103J	CHIP R 10K J 1/16W	
R120,121			RK73HB1J123J	CHIP R 12K J 1/16W	
R122,123			RK73HB1J1R0J	CHIP R 1.0 J 1/16W	
W1-4			R92-1252-05	CHIP R 0 OHM J 1/16W	
S3-5			S68-0895-05	PUSH SWITCH	
D1,2			MAZS0510M	ZENER DIODE	
D3			MA4ZD03	DIODE	
D4-6			DAP202U	DIODE	
D7			MA2S111	DIODE	
IC1			AN22022A-V	ANALOGUE IC	
IC2			AN41204A	ANALOGUE IC	
IC3			M29W400DB55N6E	ROM IC	
IC4			MN103S71F	MOS-IC	
IC5			S-80829CNPF	ANALOGUE IC	
IC8			S-80813CNPF	ANALOGUE IC	
IC9			NJM2880U115	ANALOGUE IC	
IC10			NJM2886DL2-33	ANALOGUE IC	
IC11			S-24CS04AFT	ROM IC	
Q1,2			2SK3018	FET	
Q7,8			2SB0970	TRANSISTOR	
Q9,10			2SJ0536	FET	
Q11-14			DTA114YUA	DIGITAL TRANSISTOR	
TH1			TH11-3H103FT	THERMISTOR	
<b>DAUGHTER UNIT (X89-274/279x-xx)</b>					
C10-12			CC73GCH1H121J	CHIP C 120PF J	

E1 : KVT-827DVD E2 : KVT-827DVDY (Europe)  
K : KVT-817DVD (North America) X1 : KVT-847DVD (Australia)  
C : KVT-867DVD (China) M1 : KVT-837DVD (Other Areas)

△ Indicates safety critical components.

# PARTS LIST

## DAUGHTER UNIT (X89-274/279x-xx)

Ref. No.	A d d	N e w	Parts No.	Description	Desti- nation
C14-16			CC73GCH1H121J	CHIP C 120PF J	
C18-20			CK73GB1H471K	CHIP C 470PF K	
C22-24			CK73GB1H471K	CHIP C 470PF K	
C26-28			CK73GB1H103K	CHIP C 0.010UF K	
C31-36			CE32CL1C100M	CHIP EL 10UF 16WV	
C37			CK73GB1H104K	CHIP C 0.10UF K	
C39,40			CK73GB1H104K	CHIP C 0.10UF K	
C41		*	CE32CL1E4R7M	CHIP EL 4.7UF 25WV	
C42			CK73GB1H104K	CHIP C 0.10UF K	
C43,44			CE32CL1C100M	CHIP EL 10UF 16WV	C
C43,44			CE32CL1H2R2M	CHIP EL 2.2UF 50WV	E1E2
C43,44			CE32CL1H2R2M	CHIP EL 2.2UF 50WV	KM1X1
C47			CK73GB1H104K	CHIP C 0.10UF K	
C49-59			CK73GB1H104K	CHIP C 0.10UF K	
C61-65			CK73GB1H104K	CHIP C 0.10UF K	
C66,67			CC73GCH1H120J	CHIP C 12PF J	
C68			CK73GB1H104K	CHIP C 0.10UF K	
C69			CE32CL1C100M	CHIP EL 10UF 16WV	
C70,71			CK73GB1H103K	CHIP C 0.010UF K	
C81,82		*	CE32CL1C220M	CHIP EL 22UF 16WV	
C84			CE32CL1C100M	CHIP EL 10UF 16WV	
C85,86			CK73GB1H102K	CHIP C 1000PF K	
C87		*	CE32CL1E4R7M	CHIP EL 4.7UF 25WV	
C88			CE32CL1C100M	CHIP EL 10UF 16WV	
C89			CK73GB1H104K	CHIP C 0.10UF K	
C91			CK73GB1H104K	CHIP C 0.10UF K	
C96,97			CK73GB1H104K	CHIP C 0.10UF K	
C99-101			CK73GB1H104K	CHIP C 0.10UF K	
C102,103			CC73GCH1H120J	CHIP C 12PF J	
C104			CE32CL1C100M	CHIP EL 10UF 16WV	
C105			C92-1685-05	ELECTRO 47UF 6.3WV	
C106			CE32CL1C470M	CHIP EL 47UF 16WV	
C110			CK73GB1H102K	CHIP C 1000PF K	
C111			CK73GB1H104K	CHIP C 0.10UF K	
C326			CK73GB1H102K	CHIP C 1000PF K	
CN1		*	E41-2523-05	FLAT CABLE CONNECTOR	
CN2		*	E41-2524-05	FLAT CABLE CONNECTOR	
J1			E56-0816-05	CYLINDRICAL RECEPTACLE	
L1			L41-4705-33	SMALL FIXED INDUCTOR	
L3			L92-0332-05	CHIP FERRITE	
L5			L41-1005-33	SMALL FIXED INDUCTOR (10U)	
X1		*	L77-2916-05	CRYSTAL RESONATOR (24.576MHZ)	
X2		*	L77-2908-05	CRYSTAL RESONATOR (12.000MHZ)	
R11-16			RK73GB2A471J	CHIP R 470 J 1/10W	
R18-20			RK73GB2A472J	CHIP R 4.7K J 1/10W	
R23			RK73GB2A133J	CHIP R 13K J 1/10W	
R24			RK73GB2A123J	CHIP R 12K J 1/10W	
R25			RK73GB2A472J	CHIP R 4.7K J 1/10W	
R26			RK73GB2A123J	CHIP R 12K J 1/10W	
R27			RK73GB2A472J	CHIP R 4.7K J 1/10W	
R28			RK73GB2A123J	CHIP R 12K J 1/10W	
R30			RK73GB2A153J	CHIP R 15K J 1/10W	
R31,32			RK73GB2A123J	CHIP R 12K J 1/10W	
R34-36			RK73GB2A133J	CHIP R 13K J 1/10W	

Ref. No.	A d d	N e w	Parts No.	Description	Desti- nation
R38			RK73GB2A103J	CHIP R 10K J 1/10W	
R39,40			RK73GB2A133J	CHIP R 13K J 1/10W	
R41			RK73GB2A102J	CHIP R 1.0K J 1/10W	
R42			RK73GB2A473J	CHIP R 47K J 1/10W	
R43			RK73GB2A470J	CHIP R 47 J 1/10W	
R44,45			RK73GB2A431J	CHIP R 430 J 1/10W	
R46,47			RK73GB2A151J	CHIP R 150 J 1/10W	
R48			RK73GB2A750J	CHIP R 75 J 1/10W	
R49			RK73GB2A431J	CHIP R 430 J 1/10W	
R51-54			RK73GB2A121J	CHIP R 120 J 1/10W	
R55,56			RK73GB2A431J	CHIP R 430 J 1/10W	
R61			RK73GB2A470J	CHIP R 47 J 1/10W	
R62			RK73GB2A472J	CHIP R 4.7K J 1/10W	
R63			RK73GB2A470J	CHIP R 47 J 1/10W	
R64			RK73GB2A330J	CHIP R 33 J 1/10W	
R65			RK73GB2A470J	CHIP R 47 J 1/10W	
R66			RK73GB2A330J	CHIP R 33 J 1/10W	
R67			RK73GB2A201J	CHIP R 200 J 1/10W	
R68			RK73GB2A620J	CHIP R 62 J 1/10W	
R69			RK73GB2A472J	CHIP R 4.7K J 1/10W	
R70			RK73GB2A471J	CHIP R 470 J 1/10W	
R71			RK73GH2A183D	CHIP R 18K D 1/10W	
R72			RK73GB2A361J	CHIP R 360 J 1/10W	
R73			RK73EB2E101J	CHIP R 100 J 1/4W	
R74			RK73GB2A470J	CHIP R 47 J 1/10W	
R75-82			RK73GB2A103J	CHIP R 10K J 1/10W	
R85-90			RK73GB2A8R2J	CHIP R 8.2 J 1/10W	
R95,96			RK73GB2A4R7J	CHIP R 4.7 J 1/10W	
R97,98			RK73GB2A471J	CHIP R 470 J 1/10W	
R99,100			RK73GB2A223J	CHIP R 22K J 1/10W	
R103,104			RK73GB2A4R7J	CHIP R 4.7 J 1/10W	
R105			RK73GB2A102J	CHIP R 1.0K J 1/10W	
R109			RK73GB2A4R7J	CHIP R 4.7 J 1/10W	
R110			RK73GB2A102J	CHIP R 1.0K J 1/10W	
R116-119			RK73GB2A470J	CHIP R 47 J 1/10W	
R120			RK73GB2A472J	CHIP R 4.7K J 1/10W	
R121-124			RK73GB2A470J	CHIP R 47 J 1/10W	
R125			RK73GB2A102J	CHIP R 1.0K J 1/10W	
R126			RK73GB2A105J	CHIP R 1.0M J 1/10W	
R127			RK73GB2A4R7J	CHIP R 4.7 J 1/10W	
R128			RK73GB2A222J	CHIP R 2.2K J 1/10W	
R129			RK73GB2A102J	CHIP R 1.0K J 1/10W	
R131			RK73GB2A4R7J	CHIP R 4.7 J 1/10W	
R139-142			RK73GB2A4R7J	CHIP R 4.7 J 1/10W	
R143			RK73GB2A472J	CHIP R 4.7K J 1/10W	
R144-147			RK73GB2A104J	CHIP R 100K J 1/10W	
R151			RK73GB2A4R7J	CHIP R 4.7 J 1/10W	
R155			RK73GB2A4R7J	CHIP R 4.7 J 1/10W	
R164			RK73GB2A472J	CHIP R 4.7K J 1/10W	
R166			RK73GB2A8R2J	CHIP R 8.2 J 1/10W	
R168			RK73GB2A8R2J	CHIP R 8.2 J 1/10W	
R170			RK73GB2A8R2J	CHIP R 8.2 J 1/10W	
R186,187			RK73GB2A752J	CHIP R 7.5K J 1/10W	
W1			R92-1252-05	CHIP R 0 OHM J 1/16W	
W10-15			R92-1252-05	CHIP R 0 OHM J 1/16W	

E1 : KVT-827DVD E2 : KVT-827DVDY (Europe)  
K : KVT-817DVD (North America) X1 : KVT-847DVD (Australia)  
C : KVT-867DVD (China) M1 : KVT-837DVD (Other Areas)

△ Indicates safety critical components.

# PARTS LIST

## DAUGHTER UNIT (X89-274/279x-xx)

Ref. No.	Add	New	Parts No.	Description	Destination	Ref. No.	Add	New	Parts No.	Description	Destination
W17,18			R92-1252-05	CHIP R 0 OHM J 1/16W		37	2B		E39-0556-05	LEAD WIRE	
D5			DAP202U	DIODE		VFC1	2A		E39-0602-05	FLAT CABLE	
D6		*	CRS04	DIODE		38	3A		F07-1134-12	COVER	
D7-13			DA204U	DIODE		39	3A		F09-1930-14	SHEET	
D14			AVRM1608180M6A	VARISTOR	E1E2	40	3A		F09-1960-04	SHEET	
D14			AVRM1608180M6A	VARISTOR	KM1X1	44	3A		F09-1870-04	SHEET	
D14		*	AVRM16180M6A	VARISTOR	C	45	2B		G01-3192-04	EXTENSION SPRING	
D15			AVRM1608270MAA	VARISTOR	E1E2	46	2A		G01-3194-24	EXTENSION SPRING	
D15			AVRM1608270MAA	VARISTOR	KM1X1	47	1B		G01-3195-14	EXTENSION SPRING	
D15		*	AVRM16270MAA	VARISTOR	C	48	2A		G01-3206-24	TORSION COIL SPRING	
D16,17			DA204U	DIODE		49	2A		G01-3207-24	TORSION COIL SPRING	
IC2-4			NJM4580V-ZB	ANALOGUE IC		50	3A		G01-3209-04	COMPRESSION SPRING	
IC5			TA78L05F-F	ANALOGUE IC		51	3A		G02-1468-04	FLAT SPRING	
IC6			AK4359VF	MOS-IC		52	2B		G02-1504-33	FLAT SPRING ASSY	
IC7		*	PCM1802DBR	MOS-IC		53	1B		G02-1466-24	FLAT SPRING	
IC9		*	DSPA56371AF180	MOS-IC		54	3B		G02-1488-04	FLAT SPRING	
IC10			AK4112BVFP	MOS-IC		55	3A		G02-1473-04	FLAT SPRING	
IC11			NJM4580V-ZB	ANALOGUE IC		56	1B		G11-3614-04	CUSHION (PORON (SR-S-24P))	
IC12		*	NJM2123V-ZB	ANALOGUE IC		57	3B		G11-3622-04	CUSHION (PORON)	
IC17			TC7SET08FU-F	MOS-IC		58	2B		J11-0654-13	CLAMPER	
IC18			TC7SHU04FU-F	MOS-IC		59	1A		J22-0042-12	MOUNTING HARDWARE	
IC19		*	E-LD1117DTC	ANALOGUE IC		60	1B		J22-0043-12	MOUNTING HARDWARE	
IC20,21			UPC2933ATAZ	ANALOGUE IC		61	3B		J22-0044-03	MOUNTING HARDWARE	
Q13			DTA144EUA	DIGITAL TRANSISTOR		62	1A		J22-0103-23	MOUNTING HARDWARE ASSY	
Q14,15			DTC643TU	DIGITAL TRANSISTOR		63	2B		J22-0177-14	MOUNTING HARDWARE	
<b>DVD MECHANISM ASSY (X92-5130-00)</b>						64	1A		J90-1066-41	GUIDE	
1	1B		A10-5084-31	CHASSIS		65	1B		J90-1067-13	GUIDE	
2	2B		A10-5083-21	CHASSIS ASSY		66	1B		J90-1087-32	GUIDE	
3	3B		A11-1631-21	SUB CHASSIS		67	1B		J90-1088-32	GUIDE	
4	1B		D10-4763-32	ARM		A	2A		N09-6143-05	MACHINE SCREW	
5	1B		D10-4764-23	ARM		B	1A		N09-6144-05	MACHINE SCREW	
7	2B		D10-4768-12	SLIDER		C	3B		N09-6145-05	MACHINE SCREW	
8	2B		D10-4769-03	SLIDER		D	3B		N09-6156-05	MACHINE SCREW (M1.4X1.6/#0#2)	
9	2A		D10-4771-02	SLIDER		E	1B		N09-6230-05	MACHINE SCREW	
10	2A		D10-4772-03	SLIDER		F	1A		N19-2192-04	FLAT WASHER	
11	2A		D10-4773-13	SLIDER		G	3B		N09-6133-05	MACHINE SCREW (SERRATED)	
12	2B		D10-4774-03	LEVER		H	3A		N09-6134-05	STEPPED SCREW (STEPPED)	
13	2B		D10-4776-23	ARM		J	3A		N09-6203-05	MACHINE SCREW	
14	3A		D10-4795-23	ARM		K	3A		N09-6221-15	MACHINE SCREW (P TITE 1.4-3.5)	
17	3B		D12-0638-13	CAM		L	2A		N09-6308-05	MACHINE SCREW (P TITE 1.4-4.5)	
21	2B		D13-2298-04	GEAR		M	2A		N19-2183-14	FLAT WASHER	
22	2B		D13-2299-04	GEAR		VM1	2A		T42-1321-05	MOTOR ASSY	
23	2B		D13-2303-04	GEAR		VM2	3A		T42-1084-15	MOTOR ASSY	
24	2B		D13-2305-04	GEAR		VM3	2B		X94-2000-00	MOTORASSY (LO)	
25	2B		D13-2306-04	GEAR		71	2A		X94-2010-00	ROLLER ASSY	
26	1A		D13-2308-04	GEAR		VPU1	3B		X94-2020-00	OPTICAL PICKUP ASSY	
27	1A		D13-2309-04	GEAR							
28	3B		D13-2316-24	GEAR ASSY							
29	2B		D13-2300-14	GEAR							
30	2A		D14-0799-14	ROLLER							
31	2A		D14-1006-04	ROLLER							
33	3A		D21-2429-13	SHAFT							
36	1A		D39-0259-05	DAMPER							

E1 : KVT-827DVD E2 : KVT-827DVDY (Europe)  
K : KVT-817DVD (North America) X1 : KVT-847DVD (Australia)  
C : KVT-867DVD (China) M1 : KVT-837DVD (Other Areas)

△ Indicates safety critical components.