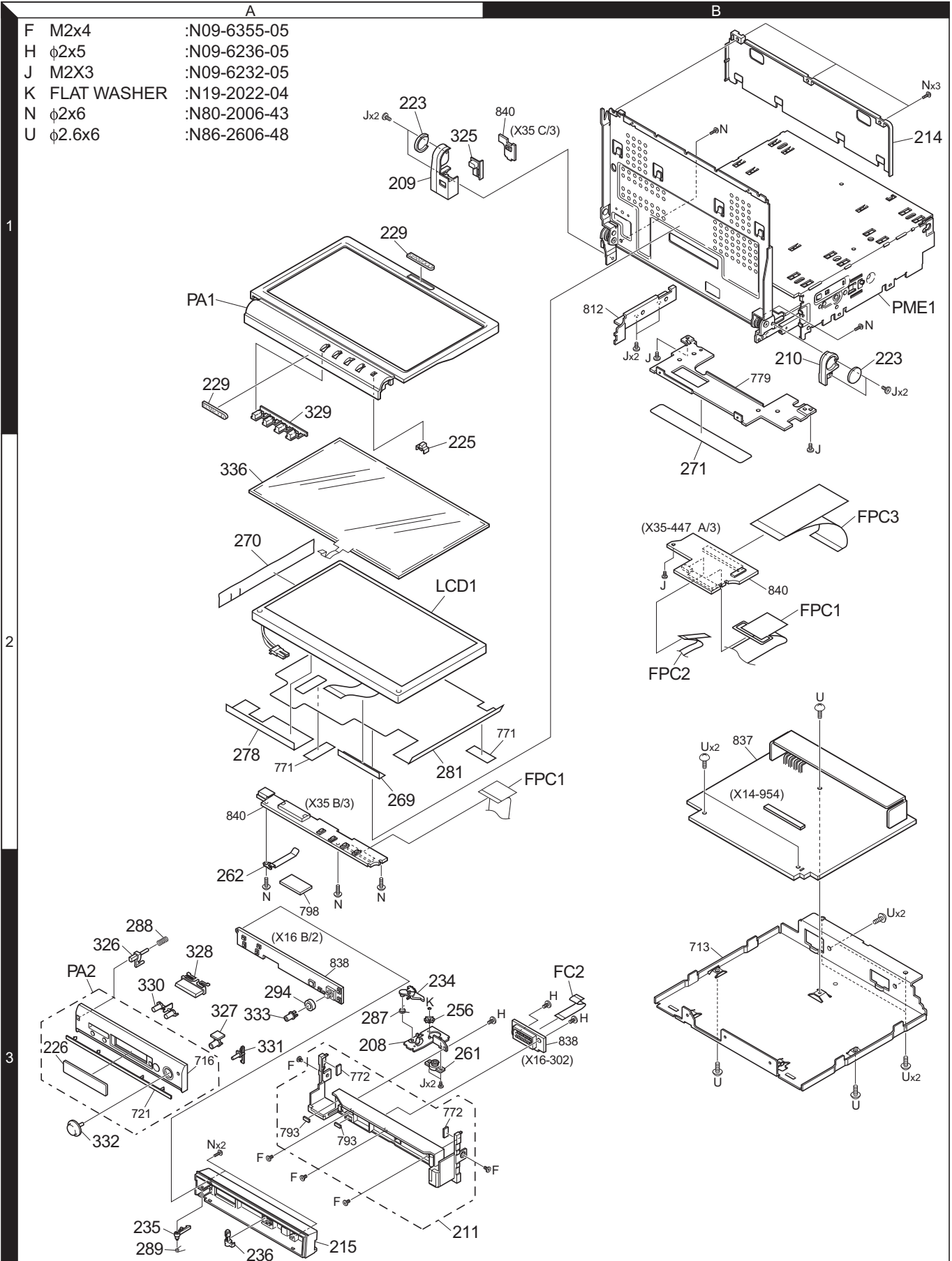


KVT-M707/M707Y

EXPLODED VIEW (MAIN UNIT)

- | | | |
|---|-------------|--------------|
| F | M2x4 | :N09-6355-05 |
| H | φ2x5 | :N09-6236-05 |
| J | M2X3 | :N09-6232-05 |
| K | FLAT WASHER | :N19-2022-04 |
| N | φ2x6 | :N80-2006-43 |
| U | φ2.6x6 | :N86-2606-48 |

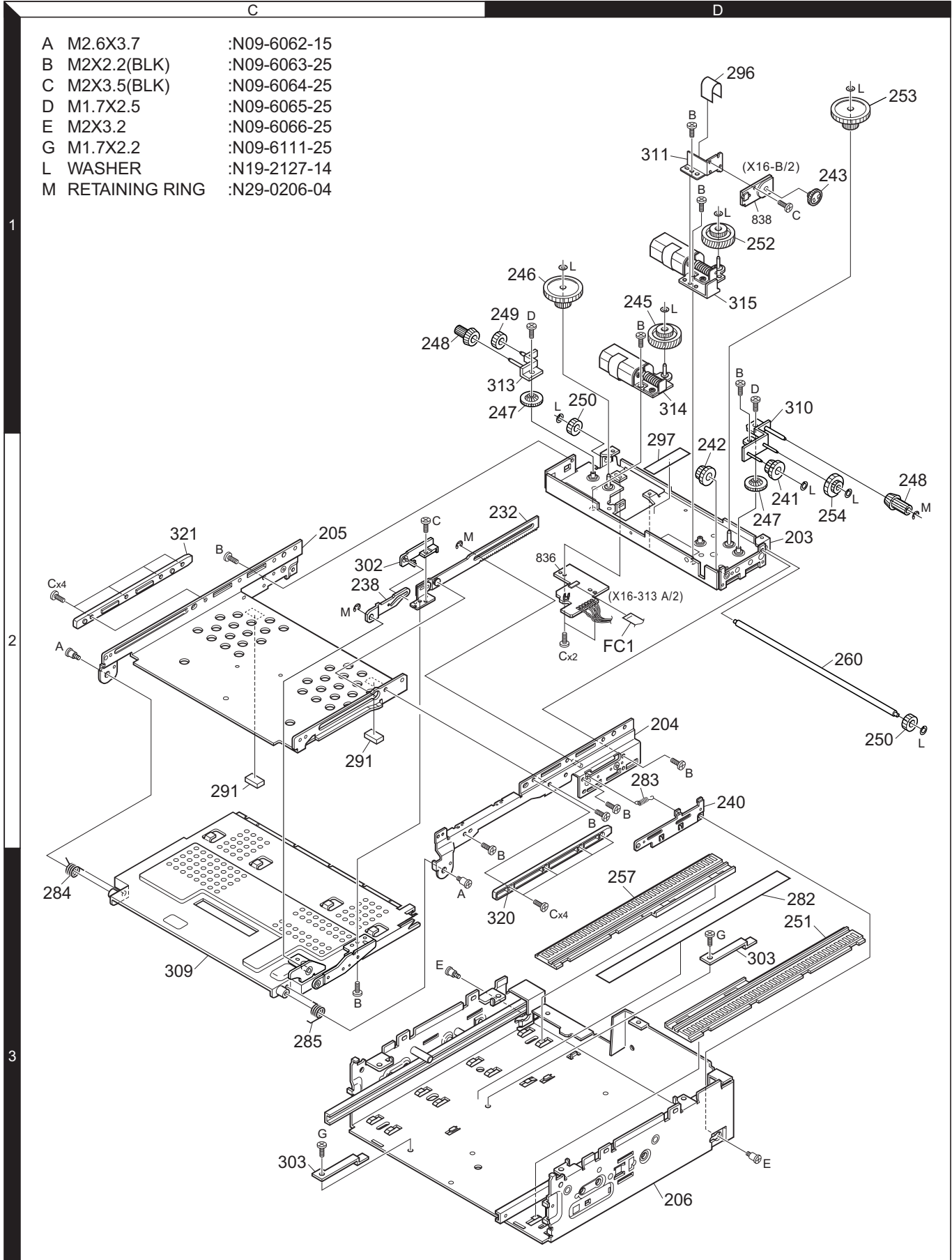


Parts with the exploded numbers larger than 700 are not supplied.

KVT-M707/M707Y

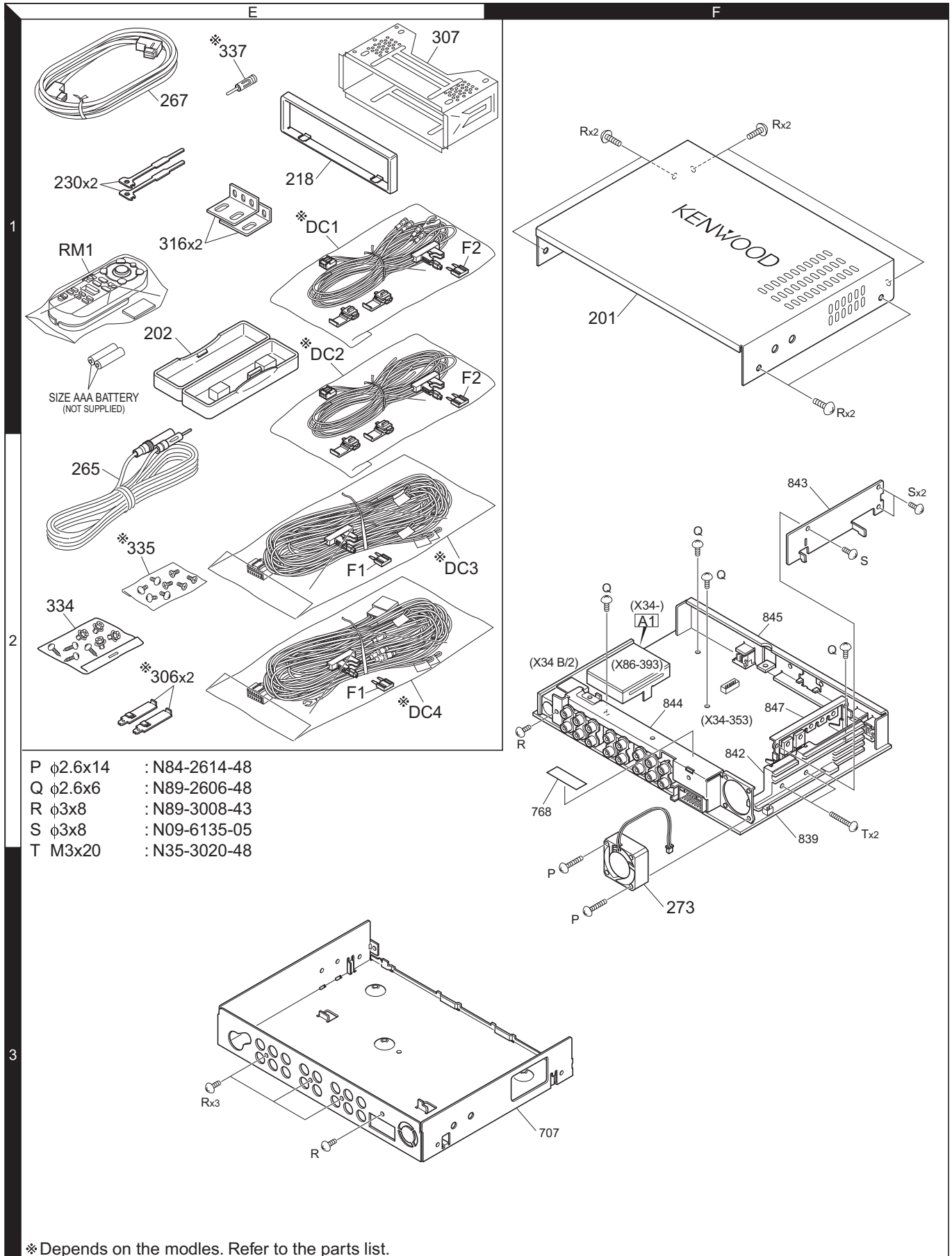
EXPLODED VIEW (MECHANISM)

A	M2.6X3.7	:N09-6062-15
B	M2X2.2(BLK)	:N09-6063-25
C	M2X3.5(BLK)	:N09-6064-25
D	M1.7X2.5	:N09-6065-25
E	M2X3.2	:N09-6066-25
G	M1.7X2.2	:N09-6111-25
L	WASHER	:N19-2127-14
M	RETAINING RING	:N29-0206-04



KVT-M707/M707Y

EXPLODED VIEW (HIDEAWAY UNIT)



Parts with the exploded numbers larger than 700 are not supplied.

KVT-M707/M707Y

PARTS LIST

* New parts

Parts without **Parts No.** are not supplied.

Les articles non mentionnés dans le **Parts No.** ne sont pas fournis.

Teile ohne **Parts No.** werden nicht geliefert.

Ref. No.	A d d	N e w	Parts No.	Description	Desti- nation
KVT-M707/M707Y					
201	1F	*	A01-2866-01	METALLIC CABINET	
202	1E		A02-2723-03	PLASTIC CABINET ASSY	
203	2D		A10-5013-23	CHASSIS CALKING ASSY	
204	2D		A10-5015-33	CHASSIS CALKING ASSY	
205	2C		A10-5018-32	CHASSIS	
206	3D		A10-5011-42	CHASSIS CALKING ASSY	
208	3A	*	A11-1645-04	SUB CHASSIS CALKING ASSY	
209	1A	*	A21-4499-02	DRESSING PANEL	
210	1B	*	A21-4502-03	DRESSING PANEL	
211	3A	*	A22-3069-03	SUB PANEL ASSY	
214	1B		A46-1776-02	REAR COVER	
215	3A	*	A46-1821-01	REAR COVER	
PA1	1A	*	A64-3600-01	PANEL	K
PA1	1A	*	A64-3601-01	PANEL	E1E2
PA2	3A	*	A64-3568-02	PANEL ASSY	K
PA2	3A	*	A64-3569-02	PANEL ASSY	E1E2
PME1	1B	*	A10-5297-01	CHASSIS ASSY	
RM1	1E	*	A70-2073-05	REMOTE CONTROLLER (KNA-RC400)	
-			B46-0100-50	WARRANTY CARD	
-			B46-0606-04	ID CARD	K
-			B46-0612-14	ID CARD	E1E2
-		*	B54-4470-00	INSTALLATION MANUAL	K
-		*	B54-4471-00	INSTALLATION MANUAL	E1E2
-			B58-1297-04	CAUTION CARD	
-		*	B64-3131-00	INSTRUCTION MANUAL (ENG)	K
-		*	B64-3132-00	INSTRUCTION MANUAL (FRE)	K
-		*	B64-3133-00	INSTRUCTION MANUAL (SPA)	K
-		*	B64-3134-00	INSTRUCTION MANUAL (ENG)	E1E2
-		*	B64-3135-00	INSTRUCTION MANUAL (FRE)	E1
-		*	B64-3136-00	INSTRUCTION MANUAL (GER)	E1
-		*	B64-3137-00	INSTRUCTION MANUAL (DUT)	E1
-		*	B64-3138-00	INSTRUCTION MANUAL (ITA)	E1
-		*	B64-3139-00	INSTRUCTION MANUAL (SPA)	E1
-		*	B64-3140-00	INSTRUCTION MANUAL (POR)	E1
218	1E	*	B07-3082-02	ESCUTCHEON	
223	1A	*	B09-0538-04	CAP	
225	2A	*	B10-4688-04	FRONT GLASS	
226	3A	*	B10-4694-03	FRONT GLASS	
229	1A		B43-1524-04	BADGE	
LCD1	2A		B38-1158-05	LCD	
230	1E		D10-4674-04	LEVER	
232	2D		D10-4703-23	ARM ASSY	
234	3A		D10-4727-03	ARM	
235	3A		D10-4728-04	ARM	
236	3A		D10-4729-04	LEVER	
238	2C		D10-4733-23	ARM	
240	2D		D10-4761-24	LEVER ASSY	
241	2D		D13-2251-14	GEAR	
242	2D		D13-2252-14	GEAR	
243	1D		D13-2253-14	GEAR	
245	1D		D13-2256-14	GEAR	
246	1D		D13-2257-14	GEAR	

Ref. No.	A d d	N e w	Parts No.	Description	Desti- nation
247	1D		D13-2258-24	GEAR	
248	1C		D13-2259-24	GEAR	
249	1D		D13-2260-14	GEAR	
250	1D		D13-2261-14	GEAR	
251	3D		D13-2262-23	RACK (GEAR)	
252	1D		D13-2263-14	GEAR	
253	1D		D13-2264-14	GEAR	
254	2D		D13-2265-14	GEAR	
256	3A		D13-2280-04	GEAR	
257	3D		D13-2317-13	RACK (GEAR)	
260	2D		D21-2416-23	SHAFT	
261	3A		D39-0239-05	DAMPER	
262	3A		E29-1924-04	LEAD PLATE	
265	2E	*	E30-6483-05	CORD WITH PLUG (HIDEAWAY UNIT)	
267	1E	*	E30-6486-05	CORD WITH PLUG (MAIN UNIT)	
DC1	1E	*	E30-6480-15	DC CORD (8PIN)	E1E2
DC2	1E	*	E30-6479-15	DC CORD (8PIN)	K
DC3	2E	*	E30-6481-15	DC CORD (16PIN)	K
DC4	2E	*	E30-6482-15	DC CORD (16PIN)	E1E2
FC1	2D		E39-0537-15	FLAT CABLE	
FC2	3B	*	E39-0772-15	FLAT CABLE	
269	2A		F09-1608-04	SHEET	
270	2A		F09-1802-04	SHEET	
271	2B		F09-1847-04	SHEET	
273	3F	*	F09-1991-05	FAN	
278	2A		F12-0775-04	SHIELDING SHEET	
281	2A		F20-2235-14	INSULATING SHEET	
282	3D		F20-2240-14	INSULATING SHEET	
F1	2E		F52-0006-05	FUSE (MINI BLADE TYPE) (10A)	
F2	1E		F52-0004-05	FUSE (MINI BLADE TYPE) (5A)	
283	2D		G01-3152-14	EXTENSION SPRING	
284	3C		G01-3153-14	TORSION COIL SPRING	
285	3C		G01-3161-14	TORSION COIL SPRING	
287	3A	*	G01-3265-04	TORSION COIL SPRING	
288	3A	*	G01-3266-04	COMPRESSION SPRING	
289	3A	*	G01-3267-04	TORSION COIL SPRING	
291	2C		G11-3512-14	CUSHION	
294	3A	*	G11-3663-04	CUSHION	
296	1D		G16-1452-14	SHEET	
297	2D		G16-1453-14	SHEET	
-		*	H02-0837-23	INNER CARTON CASE (HIDEAWAY)	
-			H11-1550-04	POLYSTYRENE FOAMED BOARD	
-			H12-2747-13	PACKING FIXTURE	
-		*	H12-2799-04	PACKING FIXTURE (HIDEAWAY)	
-		*	H12-2800-04	PACKING FIXTURE (HIDEAWAY)	
-			H25-0338-04	PROTECTION BAG (250X350X0.03)	
-			H25-1111-04	PROTECTION BAG (280X450X0.03)	
-			H25-1115-04	PROTECTION BAG (450X300)	E1E2
-			H25-1132-04	PROTECTION BAG (0.3X280X450)	K
-		*	H54-3537-03	ITEM CARTON CASE	K
-		*	H54-3538-03	ITEM CARTON CASE	E1
-		*	H54-3539-03	ITEM CARTON CASE	E2
302	2C		J19-5207-23	HOLDER	
303	3C		J19-5235-14	HOLDER	

E : Europe K : North America
M : Other Areas W : Without Europe

K : KVT-M707 E1 : KVT-M707 E2 : KVT-M707Y

△ Indicates safety critical components.

PARTS LIST

KVT-M707/M707Y

Ref. No.	Add	New	Parts No.	Description	Destination	Ref. No.	Add	New	Parts No.	Description	Destination
306	2E		J21-9784-04	MOUNTING HARDWARE (TOYOTA)	K	C10			CK73GB1A334K	CHIP C 0.33UF K	
307	1E		J21-9823-03	MOUNTING HARDWARE ASSY		C11			CK73EB1E225K	CHIP C 2.2UF K	
309	3C		J21-9916-32	MOUNTING HARDWARE ASSY		C12			CK73GB1H104K	CHIP C 0.10UF K	
310	1D		J21-9947-14	MOUNTING HARDWARE ASSY		C13			CK73GB1H103K	CHIP C 0.010UF K	
311	1D		J21-9949-14	MOUNTING HARDWARE		C15			CE32BF1C221M	CHIP EL 220UF 16WV	
313	1D		J21-9984-14	MOUNTING HARDWARE ASSY		C16,17			CK73GB1A334K	CHIP C 0.33UF K	
314	1D		J21-9986-23	MOUNTING HARDWARE ASSY		C18			CE32CLOJ470M	CHIP EL 47UF 6.3WV	
315	1D		J21-9987-23	MOUNTING HARDWARE ASSY		C19,20			CE32BF1E101M	CHIP EL 100UF 25WV	
316	1E		J22-0054-14	MOUNTING HARDWARE		C21,22			CK73GB1H104K	CHIP C 0.10UF K	
320	3D		J90-1053-13	GUIDE		C24			CK73GB1A334K	CHIP C 0.33UF K	
321	2C		J90-1064-13	GUIDE		C25			CE32AU1A560M	CHIP EL 56UF 10WV	
FPC1	2B		J84-0171-05	FLEXIBLE PRINTED WIRING BOARD		C26,27			CK73GB1H103K	CHIP C 0.010UF K	
FPC2	2B		J84-0151-05	FLEXIBLE PRINTED WIRING BOARD		C28			CK73GB1H333K	CHIP C 0.033UF K	
FPC3	2B		J84-0172-05	FLEXIBLE PRINTED WIRING BOARD		C29			CE32BF1E101M	CHIP EL 100UF 25WV	
325	1A	*	K24-4344-04	PUSH KNOB (OPEN/CLOSE)		C30,31			CC73GCH1H471J	CHIP C 470PF J	
326	3A	*	K24-4346-04	PUSH KNOB (RELEASE)		C32			CK73GB1H104K	CHIP C 0.10UF K	
327	3A	*	K24-4348-03	PUSH KNOB (SRC)		C33,34			CE32AUJ121M	CHIP EL 120UF 6.3WV	
328	3A	*	K24-4349-03	PUSH KNOB (VOLUME)		C35			CE32BF1E101M	CHIP EL 100UF 25WV	
329	1A	*	K25-1715-03	PUSH KNOB (S/M/V/F)		C36-38			CK73GB1H104K	CHIP C 0.10UF K	
330	3A	*	K25-1718-03	PUSH KNOB (ATT/AUTO)		C39			CK73GB1A105K	CHIP C 1.0UF K	
331	3A	*	K24-4350-03	PUSH KNOB (RESET)		C40			CE32BF1E101M	CHIP EL 100UF 25WV	
332	3A	*	K29-7170-04	KEY TOP (FM/AM/SEEK)		C41			CE32BF1C221M	CHIP EL 220UF 16WV	
333	3A	*	K29-7171-03	KNOB BASE (FM/AM/SEEK)		C42,43			CK73GB1H104K	CHIP C 0.10UF K	
334	2E		N99-1753-05	SCREW SET (HIDEAWAY UNIT)		C44			CE32BF1C221M	CHIP EL 220UF 16WV	
335	2E	*	N99-1775-05	SCREW SET (MAIN UNIT)	K	C45			CE32BF1E101M	CHIP EL 100UF 25WV	
A	2C		N09-6062-15	STEPPED SCREW		C46,47			CK73GB1H104K	CHIP C 0.10UF K	
B	3C		N09-6063-25	MACHINE SCREW (M2X2.2)		C48			CK73GB1H103K	CHIP C 0.010UF K	
C	3D		N09-6064-25	MACHINE SCREW (M2X3.5)		C49			CE32CLOJ470M	CHIP EL 47UF 6.3WV	
D	1D		N09-6065-25	MACHINE SCREW (M1.7X2.5)		C50			CK73GB1A105K	CHIP C 1.0UF K	
E	3D		N09-6066-25	STEPPED SCREW		C51			CE32BF1E101M	CHIP EL 100UF 25WV	
F	3A	*	N09-6355-05	MACHINE SCREW (M2.0X4)		C53,54			CK73GB1H102K	CHIP C 1000PF K	
G	3D		N09-6111-25	MACHINE SCREW		C55,56			CE32BF1E101M	CHIP EL 100UF 25WV	
H	3B		N09-6236-05	SEMS (TAPTITE SCREW) (2.0X5)		C66,67			CK73DF1E106Z	CHIP C 10UF Z	
J	2B		N09-6232-05	MACHINE SCREW (M2.0X3.0)		C101			CK73GB1H103K	CHIP C 0.010UF K	
K	3A		N19-2022-04	FLAT WASHER		C103			CK73GB1H103K	CHIP C 0.010UF K	
L	2D		N19-2127-14	FLAT WASHER		C104,105			CK73EB1A106K	CHIP C 10UF K	
M	2D		N29-0206-04	RETAINING RING		C106-110			CK73GB1H103K	CHIP C 0.010UF K	
N	1B	*	N80-2006-43	PAN HEAD TAPTITE SCREW		C111			CK73GB1A105K	CHIP C 1.0UF K	
P	3F		N84-2614-48	PAN HEAD TAPTITE SCREW		C112,113			CC73GCH1H220J	CHIP C 22PF J	
Q	3B		N89-2606-48	BINDING HEAD TAPTITE SCREW		C114-116			CK73GB1H103K	CHIP C 0.010UF K	
R	1F		N89-3008-43	BINDING HEAD TAPTITE SCREW		C117			CK73GB1H104K	CHIP C 0.10UF K	
U	3B		N86-2606-48	BINDING HEAD TAPTITE SCREW		C301			CK73GB1H103K	CHIP C 0.010UF K	
336	2A		S79-0845-05	SWITCH ASSY		C303			CK73GB1A105K	CHIP C 1.0UF K	
337	1E		T90-0552-05	ANTENNA ADAPTOR	E1E2	C304-306			CK73GB1H103K	CHIP C 0.010UF K	
VIDEO CONTROL UNIT (X14-954x-xx)						C307			CK73EB1A106K	CHIP C 10UF K	
C1			C90-5670-05	ELECTRO 2200UF 16WV		C308-310			CK73GB1H103K	CHIP C 0.010UF K	
C2,3			CK73GB1H103K	CHIP C 0.010UF K		C311			CK73GB1H104K	CHIP C 0.10UF K	
C4			CK73FB1C105K	CHIP C 1.0UF K		C312,313			CC73GCH1H020C	CHIP C 2.0PF C	
C5			CK73EB1H474K	CHIP C 0.47UF K		C314,315			CK73GB1H104K	CHIP C 0.10UF K	
C6			CC73GCH1H151J	CHIP C 150PF J		C317-319			CK73GB1H104K	CHIP C 0.10UF K	
C7			CK73GB1H103K	CHIP C 0.010UF K		C320			CK73EB1A106K	CHIP C 10UF K	
C8			CK73GB1H104K	CHIP C 0.10UF K		C321			CK73GB1H104K	CHIP C 0.10UF K	
C9			CE32BF1E101M	CHIP EL 100UF 25WV		C322			CK73GB1A105K	CHIP C 1.0UF K	
						C323-325			CK73GB1H104K	CHIP C 0.10UF K	
						C327			CK73GB1H104K	CHIP C 0.10UF K	

E : Europe K : North America
M : Other Areas W : Without Europe

K : KVT-M707 E1 : KVT-M707 E2 : KVT-M707Y

△ Indicates safety critical components.

KVT-M707/M707Y

PARTS LIST

VIDEO CONTROL UNIT (X14-954x-xx)

Ref. No.	A	N	Parts No.	Description	Desti-	Ref. No.	A	N	Parts No.	Description	Desti-
	d	e			nation		d	e			nation
C328			CK73EB1A106K	CHIP C 10UF K		C601			CK73GB1H103K	CHIP C 0.010UF K	
C331			CK73GB1H103K	CHIP C 0.010UF K		C602			CK73GB1A105K	CHIP C 1.0UF K	
C401			CK73GB1H104K	CHIP C 0.10UF K		C625			CK73GB1H104K	CHIP C 0.10UF K	
C402			CC73GCH1H470J	CHIP C 47PF J		C701,702			CK73GB1H103K	CHIP C 0.010UF K	
C403			CC73GCH1H270J	CHIP C 27PF J		CN601	*		E41-2523-05	FLAT CABLE CONNECTOR	
C404			CK73GB1H104K	CHIP C 0.10UF K		CN602	*		E41-2526-05	FLAT CABLE CONNECTOR	
C405			CC73GCH1H150J	CHIP C 15PF J		J1			E58-0816-05	RECTANGULAR RECEPTACLE	
C406			CC73GCH1H330J	CHIP C 33PF J		J601	*		E58-1017-05	RECTANGULAR RECEPTACLE	
C407			CE32CL0J470M	CHIP EL 47UF 6.3WV		F1,2	*		F53-0383-05	FUSE (4A)	
C408			CK73GB1H104K	CHIP C 0.10UF K		L1			L92-0373-05	CHIP FERRITE	
C409			CE32AU1C390M	CHIP EL 39UF 16WV		L2	*		L33-2224-05	CHOKO COIL	
C410			CK73GB1H104K	CHIP C 0.10UF K		L3			L79-0958-05	LINE FILTER	
C411			CK73EB1A475K	CHIP C 4.7UF K		L4,5	*		L33-2293-05	CHOKO COIL	
C412			CK73EB1A106K	CHIP C 10UF K		L6	*		L33-2248-05	CHOKO COIL	
C413-418			CK73GB1H103K	CHIP C 0.010UF K		L8,9	*		L33-2244-05	CHOKO COIL	
C421			CK73EB1A106K	CHIP C 10UF K		L10	*		L33-2294-05	CHOKO COIL	
C422			CK73GB1A105K	CHIP C 1.0UF K		L11	*		L33-2244-05	CHOKO COIL	
C423			CK73GB1H104K	CHIP C 0.10UF K		L12			L79-0958-05	LINE FILTER	
C424			CK73GB1H682K	CHIP C 6800PF K		L101,102			L41-1005-33	SMALL FIXED INDUCTOR (10UH)	
C426			CK73GB1H104K	CHIP C 0.10UF K		L301			L41-1005-33	SMALL FIXED INDUCTOR (10UH)	
C427			CK73GB1H102K	CHIP C 1000PF K		L303			L41-1005-33	SMALL FIXED INDUCTOR (10UH)	
C428			CE32CL0J470M	CHIP EL 47UF 6.3WV		L401			L41-1005-33	SMALL FIXED INDUCTOR (10UH)	
C429			CK73GB1H103K	CHIP C 0.010UF K		L402			L41-4705-33	SMALL FIXED INDUCTOR (47UH)	
C430			CC73GCH1H080D	CHIP C 8.0PF D	K	L404-406			L41-1005-33	SMALL FIXED INDUCTOR (10UH)	
C430,431			CC73GCH1H080D	CHIP C 8.0PF D	E1E2	L502-504			L41-1005-33	SMALL FIXED INDUCTOR (10UH)	
C432			CK73GB1A474K	CHIP C 0.47UF K		L505	*		L19-0777-05	TRANSFORMER FOR CONVERTER	
C436,437			CK73GB1H104K	CHIP C 0.10UF K		L601,602			L92-0373-05	CHIP FERRITE	
C450			CK73GB1H103K	CHIP C 0.010UF K		L604			L92-0373-05	CHIP FERRITE	
C501,502			CK73GB1H102K	CHIP C 1000PF K		X101			L78-0892-05	RESONATOR (19MHZ)	
C504			CC73GCH1H151J	CHIP C 150PF J		X102	*		L77-2917-05	CRYSTAL RESONATOR (32.768KHZ)	
C505			CK73EB1A106K	CHIP C 10UF K		X401	*		L77-2906-05	CRYSTAL RESONATOR (4.433619MHZ)	E1E2
C506			CK73GB1H102K	CHIP C 1000PF K		X402	*		L77-2905-05	CRYSTAL RESONATOR (3.579545MHZ)	
C507	*		C93-1394-05	CHIP C 5PF J		X501	*		L78-0549-05	RESONATOR (15.734KHZ)	
C514			CC73GCH1H331J	CHIP C 330PF J		CP102,103			RK74HB1J101J	CHIP-COM 100 J 1/16W	
C515			CK73GB1A105K	CHIP C 1.0UF K		CP104			RK74HB1J102J	CHIP-COM 1.0K J 1/16W	
C516			CK73GB1H104K	CHIP C 0.10UF K		CP105			RK74HB1J101J	CHIP-COM 100 J 1/16W	
C518			CC73GCH1H220J	CHIP C 22PF J		CP106			RK74HB1J104J	CHIP-COM 100K J 1/16W	
C519			CK73GB1A105K	CHIP C 1.0UF K		CP107			RK74HB1J101J	CHIP-COM 100 J 1/16W	
C520			CK73GB1H103K	CHIP C 0.010UF K		CP111			RK74HB1J101J	CHIP-COM 100 J 1/16W	
C521			CK73GB1H104K	CHIP C 0.10UF K		CP301-308			RK74HB1J330J	CHIP-COM 33 J 1/16W	
C522			CK73GB1H153K	CHIP C 0.015UF K		R1	*		R92-5096-05	CHIP R 3.3K J	
C523			CC73GCH1H151J	CHIP C 150PF J		R2			RK73FB2B123J	CHIP R 12K J 1/8W	
C524			CC73GCH1E102J	CHIP C 1000PF J		R3			RK73EB2E102J	CHIP R 1.0K J 1/4W	
C525			CK73GB0J475K	CHIP C 4.7UF K		R4			RK73GB2A153J	CHIP R 15K J 1/10W	
C526,527			CK73GB1H104K	CHIP C 0.10UF K		R5			RK73GB2A103J	CHIP R 10K J 1/10W	
C528			CE32AU1C390M	CHIP EL 39UF 16WV		R6			RN73GH1J333D	CHIP R 33K D 1/16W	
C529			CK73GB1H104K	CHIP C 0.10UF K		R7			RN73GH1J303D	CHIP R 30K D 1/16W	
C530			CE32CL0J470M	CHIP EL 47UF 6.3WV		R8			RN73GH1J333D	CHIP R 33K D 1/16W	
C531			CK73GB1H104K	CHIP C 0.10UF K		R9			RK73GB2A221J	CHIP R 220 J 1/10W	
C533-535			CK73GB1H104K	CHIP C 0.10UF K		R10			RK73GB2A473J	CHIP R 47K J 1/10W	
C540			CK73GB1H104K	CHIP C 0.10UF K		R11			RK73GB2A912J	CHIP R 9.1K J 1/10W	
C545			CK73GB1H104K	CHIP C 0.10UF K		R12			RN73GH1J393D	CHIP R 39K D 1/16W	
C548			CK73GB1H104K	CHIP C 0.10UF K		R13			RN73GH1J683D	CHIP R 68K D 1/16W	
C550-552			CK73GB1A105K	CHIP C 1.0UF K							
C560			CK73GB1H104K	CHIP C 0.10UF K	E1E2						

E : Europe K : North America
M : Other Areas W : Without Europe

K : KVT-M707 E1 : KVT-M707 E2 : KVT-M707Y

△ Indicates safety critical components.

PARTS LIST

VIDEO CONTROL UNIT (X14-954x-xx)

Ref. No.	Add	New	Parts No.	Description	Destination	Ref. No.	Add	New	Parts No.	Description	Destination
R14,15			RK73GB2A473J	CHIP R 47K J 1/10W		R103			RK73GB2A473J	CHIP R 47K J 1/10W	
R16			RN73GH1J393D	CHIP R 39K D 1/16W		R104			RK73GB2A123J	CHIP R 12K J 1/10W	
R17			RN73GH1J683D	CHIP R 68K D 1/16W		R105			RK73GB2A822J	CHIP R 8.2K J 1/10W	
R18			RN73GH1J333D	CHIP R 33K D 1/16W		R106-110			RK73GB2A104J	CHIP R 100K J 1/10W	
R19			RK73GB2A221J	CHIP R 220 J 1/10W		R112			RK73GB2A473J	CHIP R 47K J 1/10W	
R20			RK73GB2A100J	CHIP R 10 J 1/10W		R113			RK73GB2A104J	CHIP R 100K J 1/10W	
R21			RK73GB2A103J	CHIP R 10K J 1/10W		R118-120			RK73GB2A101J	CHIP R 100 J 1/10W	
R22			RN73GH1J333D	CHIP R 33K D 1/16W		R127,128			RK73GB2A103J	CHIP R 10K J 1/10W	
R23,24			RK73GB2A224J	CHIP R 220K J 1/10W		R130			RK73GB2A472J	CHIP R 4.7K J 1/10W	
R25			RN73GH1J104D	CHIP R 100K D 1/16W		R133			RK73GB2A104J	CHIP R 100K J 1/10W	
R26			RN73GH1J432D	CHIP R 4.3K D 1/16W		R141			RK73GB2A104J	CHIP R 100K J 1/10W	
R27			RN73GH1J393D	CHIP R 39K D 1/16W		R146			RK73GB2A101J	CHIP R 100 J 1/10W	
R28			RN73GH1J562D	CHIP R 5.6K D 1/16W		R156-158			RK73GB2A101J	CHIP R 100 J 1/10W	
R29			RN73GH1J473D	CHIP R 47K D 1/16W		R159			RK73GB2A100J	CHIP R 10 J 1/10W	
R30			RK73GB2A683J	CHIP R 68K J 1/10W		R162			RK73GB2A104J	CHIP R 100K J 1/10W	
R31			RK73GB2A102J	CHIP R 1.0K J 1/10W		R163			RK73GB2A103J	CHIP R 10K J 1/10W	K
R32			RK73GB2A220J	CHIP R 22 J 1/10W		R164			RK73GB2A103J	CHIP R 10K J 1/10W	E1E2
R33			RK73GB2A224J	CHIP R 220K J 1/10W		R166			RK73GB2A103J	CHIP R 10K J 1/10W	E1E2
R34			RK73GB2A102J	CHIP R 1.0K J 1/10W		R167			RK73GB2A103J	CHIP R 10K J 1/10W	K
R35			RK73GB2A224J	CHIP R 220K J 1/10W		R170			RK73GB2A471J	CHIP R 470 J 1/10W	
R36			RK73GB2A223J	CHIP R 22K J 1/10W		R172			RK73GB2A102J	CHIP R 1.0K J 1/10W	
R37			RK73GB2A470J	CHIP R 47 J 1/10W		R179			RK73GB2A684J	CHIP R 680K J 1/10W	
R38			RK73EB2E100J	CHIP R 10 J 1/4W		R180			RK73GB2A473J	CHIP R 47K J 1/10W	
R39			RK73GB2A224J	CHIP R 220K J 1/10W		R181			RK73GB2A104J	CHIP R 100K J 1/10W	
R40			RK73GB2A273J	CHIP R 27K J 1/10W		R182			RK73GB2A102J	CHIP R 1.0K J 1/10W	
R41			RK73GB2A224J	CHIP R 220K J 1/10W		R183			RK73GB2A221J	CHIP R 220 J 1/10W	
R42			RK73GB2A223J	CHIP R 22K J 1/10W		R191			RK73GB2A104J	CHIP R 100K J 1/10W	
R43			RK73GB2A470J	CHIP R 47 J 1/10W		R301			RK73GB2A101J	CHIP R 100 J 1/10W	
R44			RK73GB2A220J	CHIP R 22 J 1/10W		R302			RK73GB2A111J	CHIP R 110 J 1/10W	
R46			RK73GB2A224J	CHIP R 220K J 1/10W		R303	*		RK73GB2A515J	CHIP R 5.1M J 1/10W	
R47			RN73GH1J393D	CHIP R 39K D 1/16W		R304			RK73GB2A101J	CHIP R 100 J 1/10W	
R48			RK73GB2A104J	CHIP R 100K J 1/10W		R305	*		RK73GB2A515J	CHIP R 5.1M J 1/10W	
R49			RN73GH1J203D	CHIP R 20K D 1/16W		R306,307			RK73GB2A101J	CHIP R 100 J 1/10W	
R50			RN73GH1J133D	CHIP R 13K D 1/16W		R309			RK73GB2A101J	CHIP R 100 J 1/10W	
R51			RK73EB2E223J	CHIP R 22K J 1/4W		R310			RK73GB2A103J	CHIP R 10K J 1/10W	
R52			RN73GH1J473D	CHIP R 47K D 1/16W		R311			RK73GB2A102J	CHIP R 1.0K J 1/10W	
R53			RN73GH1J153D	CHIP R 15K D 1/16W		R313			RK73GB2A101J	CHIP R 100 J 1/10W	
R54			RK73GB2A473J	CHIP R 47K J 1/10W		R314			RK73GB2A680J	CHIP R 68 J 1/10W	
R55			RK73EB2E471J	CHIP R 470 J 1/4W		R315			RN73GH1J152D	CHIP R 1.5K D 1/16W	
R56,57			R92-3475-05	CHIP R 0.27 F 1/2W		R316,317			RN73GH1J151D	CHIP R 150 D 1/16W	
R58			RK73EB2E472J	CHIP R 4.7K J 1/4W		R320			RN73GH1J151D	CHIP R 150 D 1/16W	
R59			RK73GB2A512J	CHIP R 5.1K J 1/10W		R321-323			RK73GB2A472J	CHIP R 4.7K J 1/10W	
R60			RK73GB2A123J	CHIP R 12K J 1/10W		R324			RK73GB2A101J	CHIP R 100 J 1/10W	
R61			RK73GB2A512J	CHIP R 5.1K J 1/10W		R325			RK73GB2A272J	CHIP R 2.7K J 1/10W	
R62			RK73GB2A104J	CHIP R 100K J 1/10W		R326			RK73GB2A101J	CHIP R 100 J 1/10W	
R63			RK73GB2A103J	CHIP R 10K J 1/10W		R327			RK73GB2A272J	CHIP R 2.7K J 1/10W	
R64			RK73GB2A102J	CHIP R 1.0K J 1/10W		R328			RK73GB2A101J	CHIP R 100 J 1/10W	
R65			RK73GB2A103J	CHIP R 10K J 1/10W		R329			RK73GB2A272J	CHIP R 2.7K J 1/10W	
R67,68			RK73EB2E122J	CHIP R 1.2K J 1/4W		R330,331			RK73GB2A104J	CHIP R 100K J 1/10W	
R70			RK73GB2A473J	CHIP R 47K J 1/10W		R335			RK73GB2A100J	CHIP R 10 J 1/10W	
R75			RK73GB2A103J	CHIP R 10K J 1/10W		R401			RK73GB2A751J	CHIP R 750 J 1/10W	
R76			RK73GB2A512J	CHIP R 5.1K J 1/10W		R402			RN73GH1J303D	CHIP R 30K D 1/16W	
R77			RK73GB2A752J	CHIP R 7.5K J 1/10W		R403,404			RK73GB2A103J	CHIP R 10K J 1/10W	
R78			RK73GB2A512J	CHIP R 5.1K J 1/10W		R405			RK73GB2A102J	CHIP R 1.0K J 1/10W	
R80			RK73GB2A123J	CHIP R 12K J 1/10W		R406			RK73GB2A103J	CHIP R 10K J 1/10W	

E : Europe K : North America
M : Other Areas W : Without Europe

K : KVT-M707 E1 : KVT-M707 E2 : KVT-M707Y

△ Indicates safety critical components.

KVT-M707/M707Y

PARTS LIST

VIDEO CONTROL UNIT (X14-954x-xx)

Ref. No.	A	N	Parts No.	Description	Desti-	Ref. No.	A	N	Parts No.	Description	Desti-
	d	e			nation		d	e			nation
R407			RN73GH1J222D	CHIP R 2.2K D 1/16W		R633			RK73EB2E101J	CHIP R 100 J 1/4W	
R408			RK73GB2A473J	CHIP R 47K J 1/10W		R634			RK73GB2A101J	CHIP R 100 J 1/10W	
R409,410			RK73GB2A101J	CHIP R 100 J 1/10W		R635-637			RK73EB2E101J	CHIP R 100 J 1/4W	
R411			RK73GB2A271J	CHIP R 270 J 1/10W		R638-640			RK73GB2A101J	CHIP R 100 J 1/10W	
R412			RK73GB2A101J	CHIP R 100 J 1/10W		R641-645			RK73EB2E101J	CHIP R 100 J 1/4W	
R413			RK73GB2A473J	CHIP R 47K J 1/10W		R646			RK73GB2A102J	CHIP R 1.0K J 1/10W	
R414			RN73GH1J183D	CHIP R 18K D 1/16W		R650			RK73EB2E100J	CHIP R 10 J 1/4W	
R415			RK73GB2A103J	CHIP R 10K J 1/10W		R653-656			RK73GB2A101J	CHIP R 100 J 1/10W	
R422,423			RK73GB2A105J	CHIP R 1.0M J 1/10W		VR2	*		R32-0327-05	SEMI FIXED VARIABLE RESISTOR	
R424			RN73GH1J681D	CHIP R 680 D 1/16W	E1E2	W6			R92-1252-05	CHIP R 0 OHM J 1/16W	
R425			RN73GH1J222D	CHIP R 2.2K D 1/16W		W7-14			RK73EB2E000J	CHIP R 0.0 J 1/4W	
R429			RK73GB2A822J	CHIP R 8.2K J 1/10W		W15			R92-1252-05	CHIP R 0 OHM J 1/16W	
R430			RK73GB2A562J	CHIP R 5.6K J 1/10W		W16			RK73EB2E000J	CHIP R 0.0 J 1/4W	
R433			RN73GH1J152D	CHIP R 1.5K D 1/16W		W17			R92-1252-05	CHIP R 0 OHM J 1/16W	
R440			RN73GH1J182D	CHIP R 1.8K D 1/16W		W19,20			R92-1252-05	CHIP R 0 OHM J 1/16W	
R450			RK73GB2A102J	CHIP R 1.0K J 1/10W		W31-33			R92-1252-05	CHIP R 0 OHM J 1/16W	
R460-462			RK73GB2A100J	CHIP R 10 J 1/10W		W42-44			R92-1252-05	CHIP R 0 OHM J 1/16W	
R501,502			RK73GB2A303J	CHIP R 30K J 1/10W		W46,47			R92-1252-05	CHIP R 0 OHM J 1/16W	
R503			RK73GB2A102J	CHIP R 1.0K J 1/10W		W102			R92-1252-05	CHIP R 0 OHM J 1/16W	
R504			RK73GB2A152J	CHIP R 1.5K J 1/10W		W185			R92-1252-05	CHIP R 0 OHM J 1/16W	
R507			RK73GB2A272J	CHIP R 2.7K J 1/10W		W303			R92-1252-05	CHIP R 0 OHM J 1/16W	
R508			RK73GB2A361J	CHIP R 360 J 1/10W		W308-311			R92-1252-05	CHIP R 0 OHM J 1/16W	
R510			RK73GB2A914J	CHIP R 910K J 1/10W		W315			R92-1252-05	CHIP R 0 OHM J 1/16W	
R511,512			RK73GB2A471J	CHIP R 470 J 1/10W		W323-325			R92-1252-05	CHIP R 0 OHM J 1/16W	
R513			RK73GB2A332J	CHIP R 3.3K J 1/10W		W401-403			R92-1252-05	CHIP R 0 OHM J 1/16W	
R514			RN73GH1J393D	CHIP R 39K D 1/16W		W405-410			R92-1252-05	CHIP R 0 OHM J 1/16W	
R515			RN73GH1J182D	CHIP R 1.8K D 1/16W		W412			R92-1252-05	CHIP R 0 OHM J 1/16W	
R516			RN73GH1J391D	CHIP R 390 D 1/16W		W416			R92-1252-05	CHIP R 0 OHM J 1/16W	
R517			RK73GB2A302J	CHIP R 3.0K J 1/10W		W502,503			R92-1252-05	CHIP R 0 OHM J 1/16W	
R519			RK73GB2A101J	CHIP R 100 J 1/10W		W508			R92-1252-05	CHIP R 0 OHM J 1/16W	
R520			RK73GB2A162J	CHIP R 1.6K J 1/10W		W510			R92-1252-05	CHIP R 0 OHM J 1/16W	K
R527-529			RN73GH1J101D	CHIP R 100 D 1/16W		W518			R92-1252-05	CHIP R 0 OHM J 1/16W	
R533,534			RN73GH1J472D	CHIP R 4.7K D 1/16W		W520			R92-1252-05	CHIP R 0 OHM J 1/16W	
R535			RK73GB2A101J	CHIP R 100 J 1/10W		W525			R92-1252-05	CHIP R 0 OHM J 1/16W	
R536			RN73GH1J472D	CHIP R 4.7K D 1/16W		W602-605			R92-1252-05	CHIP R 0 OHM J 1/16W	
R538			RN73GH1J102D	CHIP R 1.0K D 1/16W		W607			RK73EB2E000J	CHIP R 0.0 J 1/4W	
R540			RK73GB2A101J	CHIP R 100 J 1/10W		D1			1SR154-400	DIODE	
R541,542			RN73GH1J102D	CHIP R 1.0K D 1/16W		D2 ,3			DAN202U	DIODE	
R550-552			RN73GH1J302D	CHIP R 3.0K D 1/16W		D4			UDZS6.2B	ZENER DIODE	
R553-555			RN73GH1J103D	CHIP R 10K D 1/16W		D5			UDZS6.8B	ZENER DIODE	
R556			RK73GB2A332J	CHIP R 3.3K J 1/10W		D6	*		MA2S784-F	DIODE	
R557			RK73GB2A162J	CHIP R 1.6K J 1/10W		D7			EC31QS04AG	DIODE	
R561			RK73GB2A473J	CHIP R 47K J 1/10W	E1E2	D8			EC10QS04AG	DIODE	
R601			RK73EB2E102J	CHIP R 1.0K J 1/4W		D9	*		1SR159-200	DIODE	
R602			RK73EB2E100J	CHIP R 10 J 1/4W		D10			EC10QS04AG	DIODE	
R603			RK73GB2A103J	CHIP R 10K J 1/10W		D11	*		1SR159-200	DIODE	
R604			RK73EB2E102J	CHIP R 1.0K J 1/4W		D401			DAN202U	DIODE	
R605-611			RK73EB2E101J	CHIP R 100 J 1/4W		D601,602			AVRM1608180M6A	VARISTOR	
R612			RK73EB2E100J	CHIP R 10 J 1/4W		D604-606			AVRM1608180M6A	VARISTOR	
R614-623			RK73GB2A101J	CHIP R 100 J 1/10W		D607			AVRM1608270MAB	VARISTOR	
R624-627			RK73GB2A750J	CHIP R 75 J 1/10W		D612,613			AVRM1608180M6A	VARISTOR	
R628,629			RK73EB2E101J	CHIP R 100 J 1/4W		D614-623			AVRM1608120M6A	VARISTOR	
R630			RK73GB2A101J	CHIP R 100 J 1/10W		D624-627			STZ6.2N	ZENER DIODE	
R631			RK73EB2E101J	CHIP R 100 J 1/4W		D629-631			AVRM1608270MAB	VARISTOR	
R632			RK73GB2A471J	CHIP R 470 J 1/10W							

E : Europe K : North America
M : Other Areas W : Without Europe

K : KVT-M707 E1 : KVT-M707 E2 : KVT-M707Y

△ Indicates safety critical components.

PARTS LIST

VIDEO CONTROL UNIT (X14-954x-xx)

Ref. No.	Add	New	Parts No.	Description	Destination	Ref. No.	Add	New	Parts No.	Description	Destination	
D632,633 D650-652 D653,654 D655 D656-659			AVRM1608120M6A AVRM1608180M6A AVRM1608270MAB AVRM1608180M6A AVRM1608270MAB	VARISTOR VARISTOR VARISTOR VARISTOR VARISTOR		Q30 Q35 Q36 Q37 Q103		*	DTC124EUA 2SC5566-E 2SA1576A DTC124EUA DTB123YK	DIGITAL TRANSISTOR TRANSISTOR TRANSISTOR DIGITAL TRANSISTOR DIGITAL TRANSISTOR		
D660 IC1 IC2 IC3 IC101			AVRM1608180M6A BA9743AFV SI-3050KMS SI-3033KMS BR24L08FV-W	VARISTOR ANALOGUE IC ANALOGUE IC ANALOGUE IC ROM IC		Q104 Q105 Q106 Q107 Q108			DTC124EUA DTB123YK DTC124EUA DTB123YK DTC124EUA	DIGITAL TRANSISTOR DIGITAL TRANSISTOR DIGITAL TRANSISTOR DIGITAL TRANSISTOR DIGITAL TRANSISTOR		
IC103 IC104 IC105 IC301 IC303		*	703032YGF04A PST9142NR-E TC7SET08FU-F LC74735NW9817E MB29LV8T9T0U1	MICROCONTROLLER IC ANALOGUE IC MOS-IC MOS-IC ROM IC		Q109 Q110 Q120 Q121,122 Q304-306			DTA144EUA DTC144EUA DTB123YK DTC124EUA 2SA1576A	DIGITAL TRANSISTOR DIGITAL TRANSISTOR DIGITAL TRANSISTOR DIGITAL TRANSISTOR TRANSISTOR		
IC304 IC305 IC306 IC307 IC308		*	TC7WHU04FU-F TC74VHC163FT TC7SH08FU-F TC7SH02FU-F TC7SH04FU-F	MOS-IC MOS-IC MOS-IC MOS-IC MOS-IC		Q401 Q402 Q403 Q501 Q503			2SA1576A DTC124EUA UMZ1N 2SC4081 2SA1576A	TRANSISTOR DIGITAL TRANSISTOR TRANSISTOR TRANSISTOR TRANSISTOR	E1E2	
IC401 IC402 IC403 IC502 IC503		*	TC7WH123FU-F TC7SH04FU-F RB5P0090M TC7SH08FU-F NJW1303V-ZB	MOS-IC MOS-IC ANALOGUE IC MOS-IC ANALOGUE IC		Q505 Q507-509			DTC124EUA UMZ1N	DIGITAL TRANSISTOR TRANSISTOR	E1E2	
SUB-CIRCUIT UNIT (X16-3020-10)												
IC504 IC505,506 IC507 IC508 IC510		*	TC7WH123FU-F TC7W34FU-F TC7SH04FU-F TC7WH00FU-F TC7SET08FU-F	MOS-IC MOS-IC MOS-IC MOS-IC MOS-IC		D101 D207-209 D221-224			B30-1658-05 B30-1564-05 B30-1605-05	LED (RED) LED (BLUE) LED (PG/RED)		
IC513 IC514 IC519 IC522 IC701,702		*	TC7WH74FU-F TC7WH126FU-F TC7SET08FU-F TC7S86FU-F LB1836M-TLM-E	MOS-IC MOS-IC MOS-IC MOS-IC ANALOGUE IC	E1E2	C101 C203 C204 C205			CK73GB1H104K CC73GCH1H221J CK73FB1A225K CK73GB1H104K	CHIP C 0.10UF K CHIP C 220PF J CHIP C 2.2UF K CHIP C 0.10UF K		
Q1 Q3 Q5 Q7 Q9			DTC124EUA DTA124EUA 2SC4081 DTC124EUA HAT1038R-E	DIGITAL TRANSISTOR DIGITAL TRANSISTOR TRANSISTOR DIGITAL TRANSISTOR FET		CN101 J101 J201		*	E41-2523-05 E58-1008-05 E59-0843-05	FLAT CABLE CONNECTOR RECTANGULAR RECEPTACLE RECTANGULAR PLUG		
Q10 Q11,12 Q13 Q14 Q15			DTC124EUA 2SC4081 IMZ4 2SA1576A IMZ4	DIGITAL TRANSISTOR TRANSISTOR TRANSISTOR TRANSISTOR TRANSISTOR		R101,102 R103-105 R106 R107 R201			RK73EB2E101J RK73EB2E102J RK73GB2A221J RK73EB2E102J RK73GB2A122J	CHIP R 100 J 1/4W CHIP R 1.0K J 1/4W CHIP R 220 J 1/10W CHIP R 1.0K J 1/4W CHIP R 1.2K J 1/10W		
Q16 Q17 Q18 Q19 Q20			2SA1576A 2SJ599-Z-E 2SC4081 2SJ599-Z-E DTA114TUA	TRANSISTOR FET TRANSISTOR FET DIGITAL TRANSISTOR		R202 R203 R204 R205 R206			RK73GB2A151J RK73GB2A101J RK73GB2A221J RK73GB2A162J RK73GB2A222J	CHIP R 150 J 1/10W CHIP R 100 J 1/10W CHIP R 220 J 1/10W CHIP R 1.6K J 1/10W CHIP R 2.2K J 1/10W		
Q21 Q23 Q25 Q26 Q27		*	DTA114EUA DTC143EUA 2SA1576A DTC124EUA 2SC5566-E	DIGITAL TRANSISTOR DIGITAL TRANSISTOR TRANSISTOR DIGITAL TRANSISTOR TRANSISTOR		R207 R208 R209 R214 R216			RK73GB2A151J RK73GB2A221J RK73GB2A332J RK73EB2E101J RK73GB2A104J	CHIP R 150 J 1/10W CHIP R 220 J 1/10W CHIP R 3.3K J 1/10W CHIP R 100 J 1/4W CHIP R 100K J 1/10W		
						R217 R224 R225 R226 R234,235				RK73EB2E101J RK73GB2A562J RK73GB2A113J RK73GB2A333J RK73GB2A222J	CHIP R 100 J 1/4W CHIP R 5.6K J 1/10W CHIP R 11K J 1/10W CHIP R 33K J 1/10W CHIP R 2.2K J 1/10W	

E : Europe K : North America
M : Other Areas W : Without Europe

K : KVT-M707 E1 : KVT-M707 E2 : KVT-M707Y

△ Indicates safety critical components.

KVT-M707/M707Y

PARTS LIST

SUB-CIRCUIT UNIT (X16-3020-10)

Ref. No.	Add	New	Parts No.	Description	Destination
R236 R239,240 W2 W102			RK73GB2A101J RK73GB2A101J R92-1252-05 R92-1252-05	CHIP R 100 J 1/10W CHIP R 100 J 1/10W CHIP R 0 OHM J 1/16W CHIP R 0 OHM J 1/16W	
S201-206 S207			S70-0901-05 S70-0874-05	TACT SWITCH TACT SWITCH	
D102 D103-106 D107 D201 D211-213			AVRM1608180M6A AVRM1005270MAA AVRM1608180M6A UDZS6.2B DA204U	VARISTOR VARISTOR VARISTOR ZENER DIODE DIODE	
D217 D225-235 D411 IC201 Q101 Q206			AVRM1608120M6A AVRM1608180M6A DAP202U RS-181 DTC124EUA 2SA1576A	VARISTOR VARISTOR DIODE ANALOGUE IC DIGITAL TRANSISTOR TRANSISTOR	
SWITCH UNIT (X16-3130-00)					
CN1			E41-2300-05	FLAT CABLE (19PIN)	
R1 R2 VR1			RK73GB2A751J RK73GB2A273J R31-0237-05	CHIP R 750 J 1/10W CHIP R 27K J 1/10W SEMI FIXED VARIABLE RESISTOR	
S1 S2, S3 S4			S68-0863-05 S68-0871-05 S68-0863-05	PUSH SWITCH PUSH SWITCH PUSH SWITCH	
PH1			T95-0253-05	PHOTO INTERRUPTER	
ELECTRIC UNIT (X34-353x-xx)					
C1 C5 C6 C7 C8			CK73EB1E225K C90-5612-05 CK73GB1H104K CK73FB1C105K CD04BA1H3R3M	CHIP C 2.2UF K ELECTRO 3900UF 16WV CHIP C 0.10UF K CHIP C 1.0UF K ELECTRO 3.3UF 50WV	
C9,10 C51 C52 C55 C56			CK73GB1H103K CK73GB1H473K CD04AS1V100M CD04BJ1E221M CD04BJ1A101M	CHIP C 0.010UF K CHIP C 0.047UF K ELECTRO 10UF 35WV ELECTRO 220UF 25WV ELECTRO 100UF 10WV	
C58 C59 C60-62 C63 C64			CD04AS1C220M CD04BD1C101M CK73EB1E225K CD04BA1C220M CK73EB1E225K	ELECTRO 22UF 16WV ELECTRO 100UF 16WV CHIP C 2.2UF K ELECTRO 22UF 16WV CHIP C 2.2UF K	
C65 C67 C69 C70 C71			CK73FB1C105K CD04AY1A221M CK73FB1C105K CD04AY1A221M CK73GB1H223K	CHIP C 1.0UF K ELECTRO 220UF 10WV CHIP C 1.0UF K ELECTRO 220UF 10WV CHIP C 0.022UF K	
C72 C73,74 C101 C103 C104			CK73GB1H103K CD04BA1E4R7M CK73GB1A105K CK73GB1A105K CD04AS1C101M	CHIP C 0.010UF K ELECTRO 4.7UF 25WV CHIP C 1.0UF K CHIP C 1.0UF K ELECTRO 100UF 16WV	

Ref. No.	Add	New	Parts No.	Description	Destination
C108-112 C113 C150 C151,152 C153			C90-6742-05 CK73GB1H103K CD04AS1C470M CK73GB1H152K CD04AS1V100M	NP-ELECT 4.7UF 16WV CHIP C 0.010UF K ELECTRO 47UF 16WV CHIP C 1500PF K ELECTRO 10UF 35WV	
C154,155 C162,163 C164 C165 C166			CK73FB1C105K CD04AS1V100M CK73GB1H103K CD04AS1V100M CK73GB1H104K	CHIP C 1.0UF K ELECTRO 10UF 35WV CHIP C 0.010UF K ELECTRO 10UF 35WV CHIP C 0.10UF K	
C167 C168 C169 C170 C171			CK73GB1H103K CD04AT1H010M CD04AS1H010M CD04AS1C470M CD04AS1H010M	CHIP C 0.010UF K ELECTRO 1UF 50WV ELECTRO 1UF 50WV ELECTRO 47UF 16WV ELECTRO 1UF 50WV	
C172 C173 C174 C175 C176			CK73GB1H102K CD04AS1H4R7M CK73FB1E474K CK73GB1H102K CK73FB1E474K	CHIP C 1000PF K ELECTRO 4.7UF 50WV CHIP C 0.47UF K CHIP C 1000PF K CHIP C 0.47UF K	
C177 C178,179 C180,181 C182-185 C186			CD04AS1C101M CD04AS1H3R3M CK73FB1A225K CC73GCH1H101J CK73FB1C105K	ELECTRO 100UF 16WV ELECTRO 3.3UF 50WV CHIP C 2.2UF K CHIP C 100PF J CHIP C 1.0UF K	
C187,188 C200 C201 C202 C203,204			CD04AS1H3R3M CD04AS1C220M CD04BJ1H100M CK73GB1H103K CD04BJ1H100M	ELECTRO 3.3UF 50WV ELECTRO 22UF 16WV ELECTRO 10UF 50WV CHIP C 0.010UF K ELECTRO 10UF 50WV	
C205 C206 C207 C208 C209-213			CK73GB1H102K CD04BJ1H100M CK73GB1H103K CK73GB1H102K CD04BJ1H100M	CHIP C 1000PF K ELECTRO 10UF 50WV CHIP C 0.010UF K CHIP C 1000PF K ELECTRO 10UF 50WV	
C214 C215,216 C217-219 C220 C221			CK73GB1H103K CK73GB1H102K CD04BJ1H100M CK73GB1H103K CK73GB1H102K	CHIP C 0.010UF K CHIP C 1000PF K ELECTRO 10UF 50WV CHIP C 0.010UF K CHIP C 1000PF K	
C222-224 C225 C226 C227-229 C230			CD04BJ1H100M CK73GB1H103K CK73GB1H102K CD04BJ1H100M CK73GB1H103K	ELECTRO 10UF 50WV CHIP C 0.010UF K CHIP C 1000PF K ELECTRO 10UF 50WV CHIP C 0.010UF K	
C231 C233 C234 C235,236 C237			CD04AS1C220M CD04AS1V100M CK73GB1H222K CK73GB1H102K CK73GB1H222K	ELECTRO 22UF 16WV ELECTRO 10UF 35WV CHIP C 2200PF K CHIP C 1000PF K CHIP C 2200PF K	
C238 C239 C240 C241 C242			CD04AS1V100M CD04AS0J101M CD04AS1H4R7M CD04AS1C220M CK73GB1H103K	ELECTRO 10UF 35WV ELECTRO 100UF 6.3WV ELECTRO 4.7UF 50WV ELECTRO 22UF 16WV CHIP C 0.010UF K	

E : Europe K : North America
M : Other Areas W : Without Europe

K : KVT-M707 E1 : KVT-M707 E2 : KVT-M707Y

△ Indicates safety critical components.

PARTS LIST

ELECTRIC UNIT (X34-353x-xx)

Ref. No.	Add	New	Parts No.	Description	Destination	Ref. No.	Add	New	Parts No.	Description	Destination
C243			CD04AS1H4R7M	ELECTRO 4.7UF 50WV		C501,502			CD04AS1H4R7M	ELECTRO 4.7UF 50WV	
C244			CD04AS0J101M	ELECTRO 100UF 6.3WV		C503			CD04AS0J101M	ELECTRO 100UF 6.3WV	
C245			CD04AS1H4R7M	ELECTRO 4.7UF 50WV		C504			CD04AS1C220M	ELECTRO 22UF 16WV	
C246			CD04AS1C220M	ELECTRO 22UF 16WV		C505			CD04AS1V100M	ELECTRO 10UF 35WV	
C247			CK73GB1H103K	CHIP C 0.010UF K		C506,507			CK73GB1H104K	CHIP C 0.10UF K	
C248			CD04AS1H4R7M	ELECTRO 4.7UF 50WV		C511			CD04AS1H4R7M	ELECTRO 4.7UF 50WV	
C251,252			CC73GCH1H100D	CHIP C 10PF D		C512			CD04AS0J470M	ELECTRO 47UF 6.3WV	
C255			CD04AS1V100M	ELECTRO 10UF 35WV		C513			CD04AS1H4R7M	ELECTRO 4.7UF 50WV	
C256			CC73GCH1H331J	CHIP C 330PF J		C514			CD04AS0J470M	ELECTRO 47UF 6.3WV	
C257			CD04AS1V100M	ELECTRO 10UF 35WV		C515,516			CD04AS1H4R7M	ELECTRO 4.7UF 50WV	
C258			CK73GB1H103K	CHIP C 0.010UF K		C800-802			CK73GB1H104K	CHIP C 0.10UF K	
C267-270			CK73GB1H103K	CHIP C 0.010UF K		C803,804			CK73GB1H103K	CHIP C 0.010UF K	
C300			CK73GB1H103K	CHIP C 0.010UF K		CN1	*		E41-2550-05	PIN ASSY	
C301,302			CK73GB1H104K	CHIP C 0.10UF K		CN250,251	*		E41-2383-05	PIN ASSY	
C303			CK73GB1H103K	CHIP C 0.010UF K		CN252,253	*		E40-9423-05	SOCKET FOR PIN ASSY	
C304			CK73GB1A105K	CHIP C 1.0UF K		J1			E58-0991-05	RECTANGULAR RECEPTACLE	
C308			CD04BJ0J331M	ELECTRO 330UF 6.3WV		J200	*		E63-0932-05	PIN JACK	
C309			CK73GB1H103K	CHIP C 0.010UF K		J201	*		E63-0917-05	PIN JACK	
C310			CK73GB1H102K	CHIP C 1000PF K		J202	*		E63-0933-05	PIN JACK	
C400			CK73GB1A105K	CHIP C 1.0UF K	K	J250			E04-0326-05	RF COAXIAL CABLE RECEPTACLE	
C400,401			CK73GB1A105K	CHIP C 1.0UF K	E1E2	J500			E56-0856-05	CYLINDRICAL RECEPTACLE	
C403			CD04BJ1A221M	ELECTRO 220UF 10WV		J502	*		E58-1034-05	RECTANGULAR RECEPTACLE	
C404			CK73GB1H104K	CHIP C 0.10UF K		J503	*		E56-0868-05	CYLINDRICAL RECEPTACLE	
C405			CK73GB1A105K	CHIP C 1.0UF K	K	J700	*		E58-1035-05	RECTANGULAR RECEPTACLE	
C405,406			CK73GB1A105K	CHIP C 1.0UF K	E1E2	L1			L33-1063-25	CHOKO COIL	
C408			CD04BJ1A221M	ELECTRO 220UF 10WV		L50			L41-2205-33	SMALL FIXED INDUCTOR (22UH)	
C409			CK73GB1H104K	CHIP C 0.10UF K		L150			L41-4795-33	SMALL FIXED INDUCTOR (4.7UH)	
C410			CK73GB1A105K	CHIP C 1.0UF K	K	L250			L41-4795-33	SMALL FIXED INDUCTOR (4.7UH)	
C410,411			CK73GB1A105K	CHIP C 1.0UF K	E1E2	L252			L41-4795-33	SMALL FIXED INDUCTOR (4.7UH)	
C413			CD04BJ1A221M	ELECTRO 220UF 10WV		L254			L41-4795-33	SMALL FIXED INDUCTOR (4.7UH)	
C414			CK73GB1H104K	CHIP C 0.10UF K		L255			L33-1977-05	CHOKO COIL	
C415			CK73GB1H103K	CHIP C 0.010UF K		L300			L41-1005-33	SMALL FIXED INDUCTOR (10UH)	
C416			CK73GB1H561K	CHIP C 560PF K		L400-402			L41-1005-33	SMALL FIXED INDUCTOR (10UH)	
C417			CK73GB1A105K	CHIP C 1.0UF K		X250			L77-2002-05	CRYSTAL RESONATOR (4.332MHZ)	
C418			CK73GB1H561K	CHIP C 560PF K		X300			L78-0892-05	RESONATOR (19MHZ)	
C419			CK73GB1H103K	CHIP C 0.010UF K		S	2F		N09-6135-05	TAPTITE SCREW (3X8)	
C420,421			CK73GB1H104K	CHIP C 0.10UF K		T	2F	*	N35-3020-48	BINDING HEAD MACHINE SCREW	
C422			CK73GB1H103K	CHIP C 0.010UF K		R1			RK73GB2A222J	CHIP R 2.2K J 1/10W	
C423			CD04AS1C220M	ELECTRO 22UF 16WV		R2			RK73GB2A332J	CHIP R 3.3K J 1/10W	
C424			CD04AS1V100M	ELECTRO 10UF 35WV		R3			RK73GB2A272J	CHIP R 2.7K J 1/10W	
C425,426			CK73GB1A105K	CHIP C 1.0UF K		R4			RK73GB2A123J	CHIP R 12K J 1/10W	
C428			CK73GB1H104K	CHIP C 0.10UF K		R5			RK73GB2A103J	CHIP R 10K J 1/10W	
C429-431			CK73GB1A105K	CHIP C 1.0UF K		R6			RK73EB2E102J	CHIP R 1.0K J 1/4W	
C432			CD04BJ0J331M	ELECTRO 330UF 6.3WV		R7			RK73EB2E103J	CHIP R 10K J 1/4W	
C433			CK73GB1H104K	CHIP C 0.10UF K		R10,11			RK73PB2H102J	CHIP R 1.0K J 1/2W	
C434,435			CK73GB0J225K	CHIP C 2.2UF K		R12			RK73GB2A223J	CHIP R 22K J 1/10W	
C437			CD04BJ1C471M	ELECTRO 470UF 16WV		R13,14			RK73FB2B472J	CHIP R 4.7K J 1/8W	
C438			CK73GB1H104K	CHIP C 0.10UF K		R15			RK73SB3A561J	CHIP R 560 J 1W	K
C442			CD04AS1V100M	ELECTRO 10UF 35WV		R16,17			RK73GB2A223J	CHIP R 22K J 1/10W	K
C448,449			CK73GB1H103K	CHIP C 0.010UF K		R17			RK73GB2A223J	CHIP R 22K J 1/10W	E1E2
C450-452			CD04AY1H220M	ELECTRO 22UF 50WV		R18			RK73GB2A103J	CHIP R 10K J 1/10W	
C454,455			CK73GB1A105K	CHIP C 1.0UF K		R19			RK73GB2A104J	CHIP R 100K J 1/10W	
C457,458			CK73GB1A105K	CHIP C 1.0UF K							
C461-463			CK73GB1H104K	CHIP C 0.10UF K							
C500			CK73GB1H103K	CHIP C 0.010UF K							

E : Europe K : North America
M : Other Areas W : Without Europe

K : KVT-M707 E1 : KVT-M707 E2 : KVT-M707Y

△ Indicates safety critical components.

KVT-M707/M707Y

PARTS LIST

ELECTRIC UNIT (X34-353x-xx)

Ref. No.	A d d	N e w	Parts No.	Description	Desti- nation	Ref. No.	A d d	N e w	Parts No.	Description	Desti- nation
R20			RK73GB2A183J	CHIP R 18K J 1/10W		R163			RK73GH2A472D	CHIP R 4.7K D 1/10W	
R21			RK73FB2B561J	CHIP R 560 J 1/8W		R164			RK73GB2A562J	CHIP R 5.6K J 1/10W	
R22			RK73GB2A473J	CHIP R 47K J 1/10W		R165			RK73GB2A103J	CHIP R 10K J 1/10W	
R24			RK73GB2A683J	CHIP R 68K J 1/10W		R166			RK73GB2A101J	CHIP R 100 J 1/10W	
R25			RK73GB2A393J	CHIP R 39K J 1/10W		R167,168			RK73GB2A102J	CHIP R 1.0K J 1/10W	
R26			RK73GB2A104J	CHIP R 100K J 1/10W		R169			RK73FB2B152J	CHIP R 1.5K J 1/8W	
R27			RK73EB2E101J	CHIP R 100 J 1/4W		R170			RK73GB2A104J	CHIP R 100K J 1/10W	
R28			RK73GB2A104J	CHIP R 100K J 1/10W		R171			RK73FB2B4R7J	CHIP R 4.7 J 1/8W	
R29			RK73GB2A103J	CHIP R 10K J 1/10W		R172			RK73GB2A332J	CHIP R 3.3K J 1/10W	
R30			RK73GB2A474J	CHIP R 470K J 1/10W		R173,174			RK73GB2A101J	CHIP R 100 J 1/10W	
R50			RK73FB2B182J	CHIP R 1.8K J 1/8W		R176			RK73GB2A100J	CHIP R 10 J 1/10W	
R51			RK73GB2A104J	CHIP R 100K J 1/10W		R177-180			RK73GB2A101J	CHIP R 100 J 1/10W	
R53			RK73GB2A101J	CHIP R 100 J 1/10W		R181,182			RK73GB2A103J	CHIP R 10K J 1/10W	
R55			RK73FB2B203J	CHIP R 20K J 1/8W		R184			RK73FB2B1R0J	CHIP R 1.0 J 1/8W	
R56			RK73FB2B221J	CHIP R 220 J 1/8W		R200			RK73FB2B203J	CHIP R 20K J 1/8W	
R58			RK73FB2B221J	CHIP R 220 J 1/8W		R201			RK73FB2B103J	CHIP R 10K J 1/8W	
R59			RK73FB2B272J	CHIP R 2.7K J 1/8W		R202			RK73EB2E820J	CHIP R 82 J 1/4W	
R60			RK73GB2A223J	CHIP R 22K J 1/10W		R203			RK73GB2A361J	CHIP R 360 J 1/10W	
R61			RK73GB2A153J	CHIP R 15K J 1/10W		R204			RK73GB2A104J	CHIP R 100K J 1/10W	
R63			RK73GH2A243D	CHIP R 24K D 1/10W		R205			RK73GB2A223J	CHIP R 22K J 1/10W	
R64			RK73GH2A432D	CHIP R 4.3K D 1/10W		R206			RK73EB2E820J	CHIP R 82 J 1/4W	
R67			RK73GB2A272J	CHIP R 2.7K J 1/10W		R207			RK73FB2B203J	CHIP R 20K J 1/8W	
R68			RK73GB2A153J	CHIP R 15K J 1/10W		R208			RK73FB2B103J	CHIP R 10K J 1/8W	
R69			RK73GB2A470J	CHIP R 47 J 1/10W		R209			RK73GB2A223J	CHIP R 22K J 1/10W	
R70			RK73GH2A153D	CHIP R 15K D 1/10W		R210			RK73GB2A104J	CHIP R 100K J 1/10W	
R71			RK73GH2A512D	CHIP R 5.1K D 1/10W		R211			RK73GB2A361J	CHIP R 360 J 1/10W	
R72			RK73GB2A752J	CHIP R 7.5K J 1/10W		R212			RK73EB2E820J	CHIP R 82 J 1/4W	
R73			RK73GB2A274J	CHIP R 270K J 1/10W		R213			RK73FB2B203J	CHIP R 20K J 1/8W	
R74			RK73GB2A563J	CHIP R 56K J 1/10W		R214			RK73FB2B103J	CHIP R 10K J 1/8W	
R75			RK73GB2A470J	CHIP R 47 J 1/10W		R215			RK73GB2A361J	CHIP R 360 J 1/10W	
R76			RK73GB2A103J	CHIP R 10K J 1/10W		R216			RK73GB2A104J	CHIP R 100K J 1/10W	
R77,78			RK73GB2A913J	CHIP R 91K J 1/10W		R217			RK73GB2A223J	CHIP R 22K J 1/10W	
R79			RK73GB2A750J	CHIP R 75 J 1/10W		R218,219			RK73GB2A473J	CHIP R 47K J 1/10W	
R80			RK73GB2A101J	CHIP R 100 J 1/10W		R220			RK73GB2A223J	CHIP R 22K J 1/10W	
R100			RK73GB2A103J	CHIP R 10K J 1/10W		R221			RK73GB2A104J	CHIP R 100K J 1/10W	
R101			RK73GB2A432J	CHIP R 4.3K J 1/10W		R222			RK73EB2E820J	CHIP R 82 J 1/4W	
R102			RK73GB2A103J	CHIP R 10K J 1/10W		R223			RK73FB2B203J	CHIP R 20K J 1/8W	
R103			RK73GB2A333J	CHIP R 33K J 1/10W		R224			RK73FB2B103J	CHIP R 10K J 1/8W	
R104,105			RK73GB2A103J	CHIP R 10K J 1/10W		R225,226			RK73GB2A361J	CHIP R 360 J 1/10W	
R106			RK73GB2A223J	CHIP R 22K J 1/10W		R227			RK73FB2B203J	CHIP R 20K J 1/8W	
R107			RK73GB2A221J	CHIP R 220 J 1/10W		R228			RK73FB2B103J	CHIP R 10K J 1/8W	
R108			RK73GB2A222J	CHIP R 2.2K J 1/10W		R229			RK73GB2A104J	CHIP R 100K J 1/10W	
R110			RK73GB2A103J	CHIP R 10K J 1/10W		R230			RK73EB2E820J	CHIP R 82 J 1/4W	
R111			RK73GB2A390J	CHIP R 39 J 1/10W		R231,232			RK73GB2A223J	CHIP R 22K J 1/10W	
R113			RK73GB2A104J	CHIP R 100K J 1/10W		R233			RK73GB2A104J	CHIP R 100K J 1/10W	
R114-117			RK73GB2A471J	CHIP R 470 J 1/10W		R234			RK73GB2A361J	CHIP R 360 J 1/10W	
R118			RK73GB2A102J	CHIP R 1.0K J 1/10W		R235			RK73EB2E820J	CHIP R 82 J 1/4W	
R120			RK73GB2A223J	CHIP R 22K J 1/10W		R236			RK73FB2B203J	CHIP R 20K J 1/8W	
R121			RK73GB2A431J	CHIP R 430 J 1/10W		R237			RK73FB2B103J	CHIP R 10K J 1/8W	
R122			RK73GB2A100J	CHIP R 10 J 1/10W		R238			RK73EB2E750J	CHIP R 75 J 1/4W	
R150			RK73EB2E2R2J	CHIP R 2.2 J 1/4W		R239			RK73EB2E101J	CHIP R 100 J 1/4W	
R151,152			RK73GB2A102J	CHIP R 1.0K J 1/10W		R240			RK73GB2A361J	CHIP R 360 J 1/10W	
R159			RK73GB2A391J	CHIP R 390 J 1/10W		R241,242			RK73GB2A223J	CHIP R 22K J 1/10W	
R160			RK73GB2A242J	CHIP R 2.4K J 1/10W		R243			RK73EB2E101J	CHIP R 100 J 1/4W	
R162			RK73GH2A512D	CHIP R 5.1K D 1/10W		R244			RK73GB2A361J	CHIP R 360 J 1/10W	

E : Europe K : North America
M : Other Areas W : Without Europe

K : KVT-M707 E1 : KVT-M707 E2 : KVT-M707Y

△ Indicates safety critical components.

PARTS LIST

ELECTRIC UNIT (X34-353x-xx)

Ref. No.	Add	New	Parts No.	Description	Destination	Ref. No.	Add	New	Parts No.	Description	Destination
R245			RK73EB2E4R7J	CHIP R 4.7 J 1/4W		R362			RK73GB2A223J	CHIP R 22K J 1/10W	
R246			RK73EB2E100J	CHIP R 10 J 1/4W		R363			RK73GB2A103J	CHIP R 10K J 1/10W	
R247			RK73GB2A222J	CHIP R 2.2K J 1/10W		R366,367			RK73GB2A103J	CHIP R 10K J 1/10W	
R248			RK73GB2A471J	CHIP R 470 J 1/10W		R369			RK73GB2A103J	CHIP R 10K J 1/10W	E1E2
R249			RK73EB2E100J	CHIP R 10 J 1/4W		R370,371			RK73GB2A103J	CHIP R 10K J 1/10W	K
R250			RK73EB2E4R7J	CHIP R 4.7 J 1/4W		R372			RK73GB2A103J	CHIP R 10K J 1/10W	E1E2
R251			RK73EB2E100J	CHIP R 10 J 1/4W		R374			RK73GB2A103J	CHIP R 10K J 1/10W	
R252			RK73GB2A222J	CHIP R 2.2K J 1/10W		R400			RK73GB2A103J	CHIP R 10K J 1/10W	
R253			RK73EB2E101J	CHIP R 100 J 1/4W		R401			RK73GB2A334J	CHIP R 330K J 1/10W	
R254			RK73EB2E100J	CHIP R 10 J 1/4W		R402			RK73GB2A561J	CHIP R 560 J 1/10W	
R255,256			RK73GB2A750J	CHIP R 75 J 1/10W		R403			RK73GB2A102J	CHIP R 1.0K J 1/10W	
R257			RK73GB2A222J	CHIP R 2.2K J 1/10W		R404			RK73GB2A222J	CHIP R 2.2K J 1/10W	
R260			RK73GB2A222J	CHIP R 2.2K J 1/10W		R412-415			RK73GB2A103J	CHIP R 10K J 1/10W	
R261			RK73EB2E101J	CHIP R 100 J 1/4W		R500,501			RK73EB2E100J	CHIP R 10 J 1/4W	
R262			RK73GB2A222J	CHIP R 2.2K J 1/10W		R502			RK73EB2E4R7J	CHIP R 4.7 J 1/4W	
R263			RK73GB2A223J	CHIP R 22K J 1/10W		R503			RK73GB2A102J	CHIP R 1.0K J 1/10W	
R265			RK73GB2A102J	CHIP R 1.0K J 1/10W		R504			RK73GB2A222J	CHIP R 2.2K J 1/10W	
R266			RK73EB2E101J	CHIP R 100 J 1/4W		R505			RK73EB2E472J	CHIP R 4.7K J 1/4W	
R267			RK73GB2A750J	CHIP R 75 J 1/10W		R506			RK73EB2E101J	CHIP R 100 J 1/4W	
R300			RK73GB2A104J	CHIP R 100K J 1/10W		R507-510			RK73EB2E472J	CHIP R 4.7K J 1/4W	
R301,302			RK73GB2A101J	CHIP R 100 J 1/10W		R511,512			RK73EB2E101J	CHIP R 100 J 1/4W	
R304			RK73GB2A101J	CHIP R 100 J 1/10W		R513,514			RK73GB2A103J	CHIP R 10K J 1/10W	
R305			RK73GB2A104J	CHIP R 100K J 1/10W		R515			RK73EB2E102J	CHIP R 1.0K J 1/4W	
R306			RK73GB2A103J	CHIP R 10K J 1/10W		R531			RK73EB2E100J	CHIP R 10 J 1/4W	
R313			RK73GB2A104J	CHIP R 100K J 1/10W		R532			RK73EB2E4R7J	CHIP R 4.7 J 1/4W	
R314			RK73GB2A103J	CHIP R 10K J 1/10W		R533			RK73EB2E100J	CHIP R 10 J 1/4W	
R315			RK73GB2A101J	CHIP R 100 J 1/10W		R534,535			RK73EB2E102J	CHIP R 1.0K J 1/4W	
R316			RK73GB2A103J	CHIP R 10K J 1/10W		R536-538			RK73EB2E101J	CHIP R 100 J 1/4W	
R317			RK73GB2A101J	CHIP R 100 J 1/10W		R539,540			RK73EB2E102J	CHIP R 1.0K J 1/4W	
R319			RK73GB2A473J	CHIP R 47K J 1/10W		R541-548			RK73GB2A750J	CHIP R 75 J 1/10W	E1E2
R320,321			RK73GB2A104J	CHIP R 100K J 1/10W		R544-548			RK73GB2A750J	CHIP R 75 J 1/10W	K
R322			RK73GB2A101J	CHIP R 100 J 1/10W		R549-551			RK73EB2E102J	CHIP R 1.0K J 1/4W	
R323			RK73GB2A104J	CHIP R 100K J 1/10W		R552			RK73EB2E4R7J	CHIP R 4.7 J 1/4W	
R324			RK73GB2A101J	CHIP R 100 J 1/10W		R553,554			RK73EB2E100J	CHIP R 10 J 1/4W	
R325			RK73GB2A472J	CHIP R 4.7K J 1/10W		R565			RK73EB2E101J	CHIP R 100 J 1/4W	K
R326			RK73GB2A101J	CHIP R 100 J 1/10W		R565-572			RK73EB2E101J	CHIP R 100 J 1/4W	E1E2
R327			RK73GB2A472J	CHIP R 4.7K J 1/10W		R569-572			RK73EB2E101J	CHIP R 100 J 1/4W	K
R328			RK73GB2A104J	CHIP R 100K J 1/10W		R700-703			RK73EB2E750J	CHIP R 75 J 1/4W	
R330			RK73GB2A222J	CHIP R 2.2K J 1/10W		R708,709			RK73EB2E102J	CHIP R 1.0K J 1/4W	
R331			RK73GB2A102J	CHIP R 1.0K J 1/10W		R710,711			RK73EB2E101J	CHIP R 100 J 1/4W	
R332			RK73GB2A104J	CHIP R 100K J 1/10W		R712-714			RK73EB2E102J	CHIP R 1.0K J 1/4W	
R335			RK73GB2A102J	CHIP R 1.0K J 1/10W		R800			RK73EB2E102J	CHIP R 1.0K J 1/4W	
R338			RK73GB2A103J	CHIP R 10K J 1/10W		R801			RK73GB2A104J	CHIP R 100K J 1/10W	
R343-345			RK73GB2A101J	CHIP R 100 J 1/10W		R802,803			RK73GB2A102J	CHIP R 1.0K J 1/10W	
R347			RK73GB2A101J	CHIP R 100 J 1/10W		R804-811			RK73GB2A103J	CHIP R 10K J 1/10W	
R349			RK73GB2A101J	CHIP R 100 J 1/10W		R850-856			RK73GB2A101J	CHIP R 100 J 1/10W	
R350			RK73GB2A104J	CHIP R 100K J 1/10W		W1			R92-1252-05	CHIP R 0 OHM J 1/16W	E1E2
R351			RK73GB2A101J	CHIP R 100 J 1/10W		W50			RK73EB2E000J	CHIP R 0.0 J 1/4W	
R352			RK73GB2A104J	CHIP R 100K J 1/10W		W100			R92-1252-05	CHIP R 0 OHM J 1/16W	
R353			RK73GB2A101J	CHIP R 100 J 1/10W		W250,251			R92-1252-05	CHIP R 0 OHM J 1/16W	
R354			RK73GB2A104J	CHIP R 100K J 1/10W		W300			R92-1252-05	CHIP R 0 OHM J 1/16W	
R355			RK73GB2A222J	CHIP R 2.2K J 1/10W		W801			RK73EB2E000J	CHIP R 0.0 J 1/4W	
R356			RK73GB2A104J	CHIP R 100K J 1/10W		W852			R92-1252-05	CHIP R 0 OHM J 1/16W	
R357			RK73GB2A223J	CHIP R 22K J 1/10W							
R358-360			RK73GB2A104J	CHIP R 100K J 1/10W		D1-8		*	M1F60-5063	DIODE	

E : Europe K : North America
M : Other Areas W : Without Europe

K : KVT-M707 E1 : KVT-M707 E2 : KVT-M707Y

△ Indicates safety critical components.

KVT-M707/M707Y

PARTS LIST

ELECTRIC UNIT (X34-353x-xx)

Ref. No.	A d d	N e w	Parts No.	Description	Desti- nation	Ref. No.	A d d	N e w	Parts No.	Description	Desti- nation	
D9			RM10ZLFNF	DIODE	E1E2 K	IC251			E-TDA7479AD	ANALOGUE IC		
D10			1SR154-400	DIODE		IC300		*	S-80842CNNB-G	MOS-IC		
D10,11			1SR154-400	DIODE		IC301			SN74HC02APWR	MOS-IC		
D12			DAP202U	DIODE		IC302			BR24L02FV-W	ROM IC		
D13,14			1SR154-400	DIODE	IC303		*	703030YGCJ13A	MICROCONTROLLER IC			
D15			UDZS6.8B	ZENER DIODE		IC400-402			MM1228XFBE-E	ANALOGUE IC		
D16			UDZS5.6B	ZENER DIODE		IC403			MM1108XFFE-E	ANALOGUE IC		
D17			UDZS4.7B	ZENER DIODE		IC404		*	BA7653AFV	ANALOGUE IC		
D18			DAP202U	DIODE		IC405			BA3121F	ANALOGUE IC		
D19			UDZS6.8B	ZENER DIODE		IC406			BA7652AF	ANALOGUE IC		
D52			UDZS11B	ZENER DIODE	IC407,408 IC413,414 IC415 IC416 IC500			MM1228XFBE-E	ANALOGUE IC			
D54,55			UDZS5.6B	ZENER DIODE		TC4052BFT			MOS-IC			
D100,101			DAP202U	DIODE		MM1503-E			ANALOGUE IC			
D150			UDZS6.8B	ZENER DIODE		BA7652AF			ANALOGUE IC			
D151			DA227	DIODE		BA3121F			ANALOGUE IC			
D152			UDZS16B	ZENER DIODE	IC501 IC502 Q1 Q2 Q3		*	TC7SET04FU-F	MOS-IC			
D155-157			DAP202U	DIODE		TC7SH08FU-F			MOS-IC			
D200			DAP202U	DIODE		2SB1189			TRANSISTOR			
D201			STZ6.2N	ZENER DIODE		2SC4081			TRANSISTOR			
D203,204			DAP202U	DIODE	Q3			2SA1576A	TRANSISTOR			
D205			UDZS4.7B	ZENER DIODE	Q4 Q6,7 Q7 Q8 Q9,10			2SC4081	TRANSISTOR	K E1E2		
D206			STZ6.2N	ZENER DIODE		DTC114YUA			DIGITAL TRANSISTOR			
D207-209			STZ6.8N	ZENER DIODE		DTC114YUA			DIGITAL TRANSISTOR			
D210			STZ6.2N	ZENER DIODE		DTA114EUA			DIGITAL TRANSISTOR			
D211			STZ6.8N	ZENER DIODE		2SB1188 (Q,R)			TRANSISTOR			
D212-214			DAP202U	DIODE	Q10 Q11 Q12 Q13 Q14			2SB1188 (Q,R)	TRANSISTOR	E1E2		
D216			DAP202U	DIODE		2SA1576A			TRANSISTOR			
D218			STZ6.8N	ZENER DIODE		2SC4081			TRANSISTOR			
D252			IMSA-6801-E	SURGE ABSORBER		DTA123JK			DIGITAL TRANSISTOR			
D300			DA227	DIODE		2SA1576A			TRANSISTOR			
D413			UDZS4.7B	ZENER DIODE		Q15 Q50 Q51 Q52 Q54			2SC4081		TRANSISTOR	
D414			DAP202U	DIODE			2SB1443				TRANSISTOR	
D500,501			STZ6.8N	ZENER DIODE	2SC4081				TRANSISTOR			
D502			UDZS4.7B	ZENER DIODE	UMC2N				TRANSISTOR			
D503			DAP202U	DIODE	2SC4081				TRANSISTOR			
D504-507			STZ6.2N	ZENER DIODE	Q55 Q58 Q59 Q61 Q62				UMC2N	TRANSISTOR		
D508			DAN202U	DIODE		2SB1184			TRANSISTOR			
D509			STZ6.2N	ZENER DIODE		2SB1565			TRANSISTOR			
D521			STZ6.8N	ZENER DIODE		UMC2N			TRANSISTOR			
D522-525			STZ6.2N	ZENER DIODE		DTC114EUA			DIGITAL TRANSISTOR			
D522-535			STZ6.2N	ZENER DIODE		Q63 Q64 Q65 Q66 Q67			2SA1576A	TRANSISTOR		
D529-535			STZ6.2N	ZENER DIODE	2SB1565				TRANSISTOR			
D536,537			DA204U	DIODE	2SA1576A				TRANSISTOR			
D538			STZ6.2N	ZENER DIODE	2SC4081				TRANSISTOR			
D539			STZ6.8N	ZENER DIODE	2SA1576A				TRANSISTOR			
D700-707			STZ6.2N	ZENER DIODE	Q68 Q69 Q70 Q150 Q151				2SC4617	TRANSISTOR		
D800			STZ6.2N	ZENER DIODE			2SA1774			TRANSISTOR		
IC50			M5237ML-CF0J	ANALOGUE IC		2SC4617			TRANSISTOR			
IC52			ICL7660SIBAZ	ANALOGUE IC		UMC2N			TRANSISTOR			
IC54			M5237ML-CF0J	ANALOGUE IC		2SA1774			TRANSISTOR			
IC100			E-TDA7560A	ANALOGUE IC	Q152 Q200-202 Q203 Q204-207 Q208			2SC2873-F	TRANSISTOR			
IC150			NJM4565V-ZB	ANALOGUE IC		DTC323TU			DIGITAL TRANSISTOR			
IC151			E-TDA7415	ANALOGUE IC		2SA1576A			TRANSISTOR			
IC200-202			NJM4565V-ZB	ANALOGUE IC		DTC323TU			DIGITAL TRANSISTOR			
IC203,204			BA3121F	ANALOGUE IC		DTA144EUA			DIGITAL TRANSISTOR			

E : Europe K : North America
M : Other Areas W : Without Europe

K : KVT-M707 E1 : KVT-M707 E2 : KVT-M707Y

△ Indicates safety critical components.

PARTS LIST

ELECTRIC UNIT (X34-353x-xx)

Ref. No.	Add	New	Parts No.	Description	Destination
Q209			DTC323TU	DIGITAL TRANSISTOR	
Q250			DTC124EUA	DIGITAL TRANSISTOR	
Q252			2SB1689	TRANSISTOR	
Q403-406			DTC124EUA	DIGITAL TRANSISTOR	
Q500			DTA124EUA	DIGITAL TRANSISTOR	
TH100		*	PRF18BE471QS2	POSITIVE RESISTOR	
A250	2F	*	X86-3930-11	FRONT-END UNIT	K
A250	2F	*	X86-3932-70	FRONT-END UNIT	E1E2
VIDEO UNIT (X35-4470-10)					
D603			B30-1605-05	LED (PG/RED)	
C1,2		*	C93-1396-05	CHIP C 10UF Z	
C3			C93-1283-05	CHIP C 1.0UF K	
C5			C93-1363-05	CHIP C 10PF	
C6			C93-1361-05	CHIP C 0.012UF	
C7			CK73GB1H473K	CHIP C 0.047UF K	
C8			C93-1269-05	CHIP C 220PF J	
C9			CK73GB0J225K	CHIP C 2.2UF K	
C10			CK73GB1H103K	CHIP C 0.010UF K	
C11			CK73GB0J225K	CHIP C 2.2UF K	
C12			CK73HB1C103K	CHIP C 0.010UF K	
C13			CK73GB1A474K	CHIP C 0.47UF K	
C14			CK73HB1C103K	CHIP C 0.010UF K	
C15			CK73GB1H473K	CHIP C 0.047UF K	
C16			CK73HB1C183K	CHIP C 0.018UF K	
C17			CK73HB1C103K	CHIP C 0.010UF K	
C18			C93-1283-05	CHIP C 1.0UF K	
C21			CK73GB0J225K	CHIP C 2.2UF K	
C22			CK73HB1H152K	CHIP C 1500PF K	
C23		*	C93-1396-05	CHIP C 10UF Z	
C24			CK73GB1H103K	CHIP C 0.010UF K	
C25		*	C93-1286-05	CHIP C 2700PF	
C26			CK73GB1H103K	CHIP C 0.010UF K	
C28			C93-1283-05	CHIP C 1.0UF K	
C100			CK73GB1H104K	CHIP C 0.10UF K	
C101			CC73GCH1H101J	CHIP C 100PF J	
C102,103			CK73GB1H104K	CHIP C 0.10UF K	
C105			CK73GB1H104K	CHIP C 0.10UF K	
C107			CK73GB1H104K	CHIP C 0.10UF K	
C110			CK73FB0J106K	CHIP C 10UF K	
C111			CK73EB1E225K	CHIP C 2.2UF K	
C114-116			CK73GB1H104K	CHIP C 0.10UF K	
C119			CK73GB1H104K	CHIP C 0.10UF K	
C122			CC73GCH1H681J	CHIP C 680PF J	
C124			CC73GCH1H470J	CHIP C 47PF J	
C125			CK73GB1H104K	CHIP C 0.10UF K	
C129			CK73EB1E105K	CHIP C 1.0UF K	
C130			CK73FB0J106K	CHIP C 10UF K	
C133			CK73GB1H103K	CHIP C 0.010UF K	
C134			CC73GCH1H101J	CHIP C 100PF J	
C135			CC73GCH1H100D	CHIP C 10PF D	
C138			CK73FB1C105K	CHIP C 1.0UF K	
C140			CC73GCH1H470J	CHIP C 47PF J	
C142			CC73GCH1H560J	CHIP C 56PF J	

Ref. No.	Add	New	Parts No.	Description	Destination
C144			CC73GCH1H101J	CHIP C 100PF J	
C146-151			CC73GCH1H101J	CHIP C 100PF J	
C152			CC73GCH1H101J	CHIP C 100PF J	
C157-159			CK73GB1H104K	CHIP C 0.10UF K	
C161			CK73GB1H104K	CHIP C 0.10UF K	
C162			CK73GB1H103K	CHIP C 0.010UF K	
C163			CK73EB1E105K	CHIP C 1.0UF K	
C164-167			CC73GCH1H101J	CHIP C 100PF J	
C175			CK73FB0J106K	CHIP C 10UF K	
C176			C93-1367-05	CHIP C 10UF K	
C178			CK73FB0J106K	CHIP C 10UF K	
C206,207			CK73GB1H103K	CHIP C 0.010UF K	
C401			CK73HB1H102K	CHIP C 1000PF K	
C421,422			CK73GB1A105K	CHIP C 1.0UF K	
C423			CK73FB0J106K	CHIP C 10UF K	
C424			CK73HB1C103K	CHIP C 0.010UF K	
C425			CK73FB1C105K	CHIP C 1.0UF K	
C426			CK73EB1E105K	CHIP C 1.0UF K	
C427,428			CK73FB0J106K	CHIP C 10UF K	
C429			CK73HB1C103K	CHIP C 0.010UF K	
C501-503			CK73HB1C103K	CHIP C 0.010UF K	
C504			CK73FB0J106K	CHIP C 10UF K	
CN1		*	E41-2483-05	PIN ASSY	
CN100		*	E41-2526-05	FLAT CABLE CONNECTOR	
CN101		*	E41-2435-05	FLAT CABLE CONNECTOR	
CN102		*	E41-2547-05	FLAT CABLE CONNECTOR	
CN103		*	E41-2359-05	PIN ASSY	
CN104		*	E41-2444-05	FLAT CABLE CONNECTOR	
CN501		*	E41-2087-05	FLAT CABLE CONNECTOR	
CN502		*	E41-2547-05	FLAT CABLE CONNECTOR	
CN503		*	E41-2564-05	FLAT CABLE CONNECTOR	
CN601		*	E41-2548-05	FLAT CABLE CONNECTOR	
F1		*	F53-0297-05	FUSE (UL,CSA) (1.6A)	
L1		*	L19-0783-05	TRANSFORMER FOR CONVERTER	
L100		*	L41-1595-33	SMALL FIXED INDUCTOR (1.5UH)	
L108		*	L41-1005-33	SMALL FIXED INDUCTOR (10UH)	
L109		*	L41-8281-15	SMALL FIXED INDUCTOR (0.82UH)	
L112		*	L41-1005-33	SMALL FIXED INDUCTOR (10UH)	
L115,116		*	L41-1005-33	SMALL FIXED INDUCTOR (10UH)	
L401		*	L41-1005-33	SMALL FIXED INDUCTOR (10UH)	
L501		*	L41-1005-33	SMALL FIXED INDUCTOR (10UH)	
CP100			RK74HB1J223J	CHIP-COM 22K J 1/16W	
CP101			RK74HB1J221J	CHIP-COM 220 J 1/16W	
CP103			RK74HB1J473J	CHIP-COM 47K J 1/16W	
CP105			RK74HB1J223J	CHIP-COM 22K J 1/16W	
CP106			RK74HB1J473J	CHIP-COM 47K J 1/16W	
R1			RK73HB1J512J	CHIP R 5.1K J 1/16W	
R3			RK73HB1J220J	CHIP R 22 J 1/16W	
R4			RN73GH1J433D	CHIP R 43K D 1/16W	
R5			RK73HB1J153J	CHIP R 15K J 1/16W	
R6			RN73GH1J513D	CHIP R 51K D 1/16W	
R7			RK73HB1J220J	CHIP R 22 J 1/16W	
R8			RK73HB1J512J	CHIP R 5.1K J 1/16W	

E : Europe K : North America
M : Other Areas W : Without Europe

K : KVT-M707 E1 : KVT-M707 E2 : KVT-M707Y

△ Indicates safety critical components.

KVT-M707/M707Y

PARTS LIST

VIDEO UNIT (X35-4470-10)

Ref. No.	A	N	Parts No.	Description	Desti-	Ref. No.	A	N	Parts No.	Description	Desti-
	d	e			nation		d	e			nation
R9			RK73GH2A304D	CHIP R 300K D 1/10W		R213			RK73HB1J561J	CHIP R 560 J 1/16W	
R10			RK73GB2A152J	CHIP R 1.5K J 1/10W		R214			RK73HB1J000JK	CHIP R 0.0 J 1/16W	
R11			RK73HB1J220J	CHIP R 22 J 1/16W		R215	*		RK73HB1J111J	CHIP R 110 J 1/16W	
R12			RK73HB1J105J	CHIP R 1.0M J 1/16W		R401			RK73HB1J000JK	CHIP R 0.0 J 1/16W	
R13			RK73HB1J220J	CHIP R 22 J 1/16W		R402			RK73HB1J392J	CHIP R 3.9K J 1/16W	
R14			RN73GH1J471D	CHIP R 470 D 1/16W		R403			RK73HB1J822J	CHIP R 8.2K J 1/16W	
R15			RN73GH1J513D	CHIP R 51K D 1/16W		R404			RK73HB1J243J	CHIP R 24K J 1/16W	
R16,17			RK73HB1J220J	CHIP R 22 J 1/16W		R405			RK73HB1J000JK	CHIP R 0.0 J 1/16W	
R18			RK73HB1J222J	CHIP R 2.2K J 1/16W		R421			RK73HB1J000JK	CHIP R 0.0 J 1/16W	
R21			RK73HB1J104J	CHIP R 100K J 1/16W		R422			RK73HB1J753J	CHIP R 75K J 1/16W	
R22		*	RK73GB2A515J	CHIP R 5.1M J 1/10W		R423			RK73HB1J104J	CHIP R 100K J 1/16W	
R100			RK73GB2A102J	CHIP R 1.0K J 1/10W		R431,432			RK73HB1J103J	CHIP R 10K J 1/16W	
R101			RK73HB1J222J	CHIP R 2.2K J 1/16W		R441			RK73GB2A561J	CHIP R 560 J 1/10W	
R102			RK73HB1J122J	CHIP R 1.2K J 1/16W		R453			RK73GB2A561J	CHIP R 560 J 1/10W	
R103			RK73HB1J512J	CHIP R 5.1K J 1/16W		R454			RK73GB2A271J	CHIP R 270 J 1/10W	
R104			RK73HB1J222J	CHIP R 2.2K J 1/16W		R456			RK73GB2A271J	CHIP R 270 J 1/10W	
R106			RK73HB1J820J	CHIP R 82 J 1/16W		R501,502			RK73HB1J333J	CHIP R 33K J 1/16W	
R108			RK73HB1J000JK	CHIP R 0.0 J 1/16W		R503-506			RK73EB2E100J	CHIP R 10 J 1/4W	
R110			RK73HB1J000JK	CHIP R 0.0 J 1/16W		R642			RK73HB1J391J	CHIP R 390 J 1/16W	
R111			RK73GH2A473D	CHIP R 47K D 1/10W		R643			RK73GB2A111J	CHIP R 110 J 1/10W	
R112			RK73GH2A393D	CHIP R 39K D 1/10W		VR101			R32-0328-05	SEMI FIXED VARIABLE RESISTOR	
R113			RK73GH2A683D	CHIP R 68K D 1/10W		W112			R92-1252-05	CHIP R 0 OHM J 1/16W	
R114			RK73GB2A105J	CHIP R 1.0M J 1/10W		W115,116			R92-1252-05	CHIP R 0 OHM J 1/16W	
R115,116			RK73HB1J000JK	CHIP R 0.0 J 1/16W		W119			RK73EB2E000J	CHIP R 0.0 J 1/4W	
R117			RN73GH1J472D	CHIP R 4.7K D 1/16W		W125			R92-1252-05	CHIP R 0 OHM J 1/16W	
R118			RK73GH2A683D	CHIP R 68K D 1/10W		W128			R92-1252-05	CHIP R 0 OHM J 1/16W	
R119			RN73GH1J472D	CHIP R 4.7K D 1/16W		S401-404	*		S70-0937-05	TACT SWITCH	
R120			RK73HB1J223J	CHIP R 22K J 1/16W		S601			S70-0919-05	TACT SWITCH	
R121			RK73GH2A243D	CHIP R 24K D 1/10W		D1,2			UDZS5.6B	ZENER DIODE	
R122-125			RK73HB1J000JK	CHIP R 0.0 J 1/16W		D3			1SS355	DIODE	
R127			RK73HB1J000JK	CHIP R 0.0 J 1/16W		D4,5			DA204U	DIODE	
R128			RK73GB2A105J	CHIP R 1.0M J 1/10W		D6	*		MA2S784-F	DIODE	
R129,130			RK73HB1J000JK	CHIP R 0.0 J 1/16W		D7			UDZS5.6B	ZENER DIODE	
R131		*	RK73HB1J101J	CHIP R 100 J 1/16W		D8			AVRM1608120M6A	VARIATOR	
R132			RK73HB1J300J	CHIP R 30 J 1/16W		D9			DA204U	DIODE	
R133-140			RK73HB1J101J	CHIP R 100 J 1/16W		D104,105			AVRM1608120M6A	VARIATOR	
R142-144			RK73HB1J102J	CHIP R 1.0K J 1/16W		D106	*		MA2X335	VARIABLE CAPACITANCE DIODE	
R149			RK73HB1J562J	CHIP R 5.6K J 1/16W		D108-110			DA204U	DIODE	
R150			RK73GH2A473D	CHIP R 47K D 1/10W		D401			AVRM1608180M6A	VARIATOR	
R152			RK73GH2A182D	CHIP R 1.8K D 1/10W		D403-410			AVRM1608180M6A	VARIATOR	
R153			RK73GH2A332D	CHIP R 3.3K D 1/10W		D411			AVRM1608120M6A	VARIATOR	
R155			RK73GB2A562J	CHIP R 5.6K J 1/10W		D501-504			UDZS6.8B	ZENER DIODE	
R157			RK73GH2A271D	CHIP R 270 D 1/10W		D601,602			AVRM1608180M6A	VARIATOR	
R165			RK73GB2A111J	CHIP R 110 J 1/10W		IC1	*		OZ964ISN-C	ANALOGUE IC	
R166			RK73HB1J102J	CHIP R 1.0K J 1/16W		IC101			MN5814UB	ANALOGUE IC	
R168			RK73HB1J223J	CHIP R 22K J 1/16W		IC205	*		TC7WH126FU-F	MOS-IC	
R169,170			RK73HB1J473J	CHIP R 47K J 1/16W		IC303			NJM2107F-ZB	ANALOGUE IC	
R172			RK73HB1J103J	CHIP R 10K J 1/16W		IC401			TPS850	ANALOGUE IC	
R174			RK73HB1J103J	CHIP R 10K J 1/16W		Q1			2SC4081	TRANSISTOR	
R178,179			RK73HB1J103J	CHIP R 10K J 1/16W		Q2,3			SI5504DC-E3	DUAL FET	
R181			RK73GB2A101J	CHIP R 100 J 1/10W		Q5			2SC4081	TRANSISTOR	
R187,188			RK73GB2A221J	CHIP R 220 J 1/10W		Q100			DTC124EE	DIGITAL TRANSISTOR	
R208			RK73HB1J103J	CHIP R 10K J 1/16W		Q101			DTA114TUA	DIGITAL TRANSISTOR	
R209			RK73HB1J331J	CHIP R 330 J 1/16W							
R210,211			RK73HB1J202J	CHIP R 2.0K J 1/16W							

E : Europe K : North America
M : Other Areas W : Without Europe

K : KVT-M707 E1 : KVT-M707 E2 : KVT-M707Y

△ Indicates safety critical components.

PARTS LIST

VIDEO UNIT (X35-4470-10)

Ref. No.	A d d	N e w	Parts No.	Description	Desti- nation	Ref. No.	A d d	N e w	Parts No.	Description	Desti- nation
Q102			2SA1576A	TRANSISTOR							
Q104			2SC4097	TRANSISTOR							
Q105,106			2SC4081	TRANSISTOR							
Q203			2SC4081	TRANSISTOR							
Q204			DTC144EUA	DIGITAL TRANSISTOR							
Q205			DTC124EUA	DIGITAL TRANSISTOR							
Q501			DTC124EE	DIGITAL TRANSISTOR							
Q502,503			PUMD13	DUAL TRANSISTOR							

E : Europe K : North America
M : Other Areas W : Without Europe

K : KVT-M707 E1 : KVT-M707 E2 : KVT-M707Y

△ Indicates safety critical components.