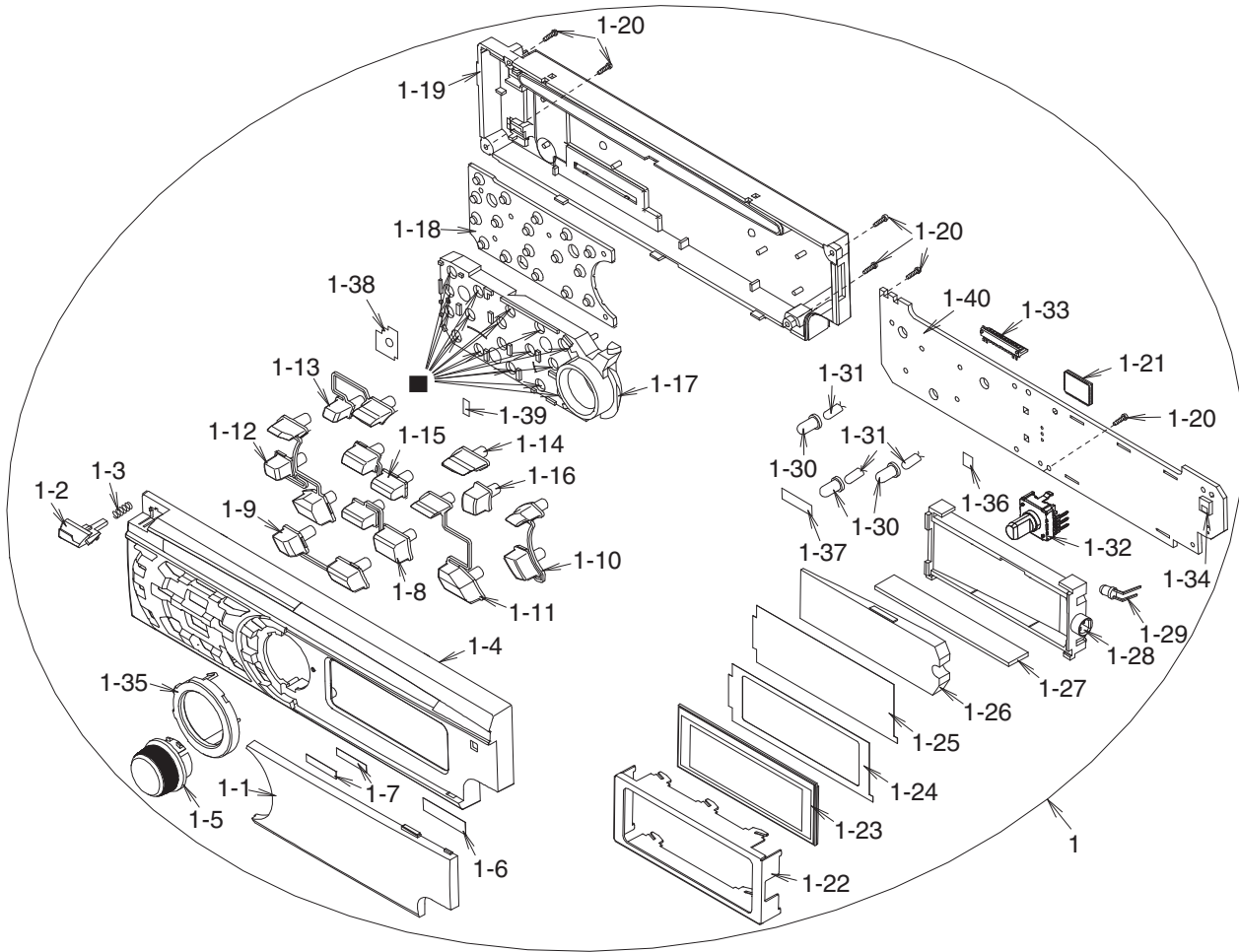


EXPLODED VIEW / PARTS LIST

DCP section



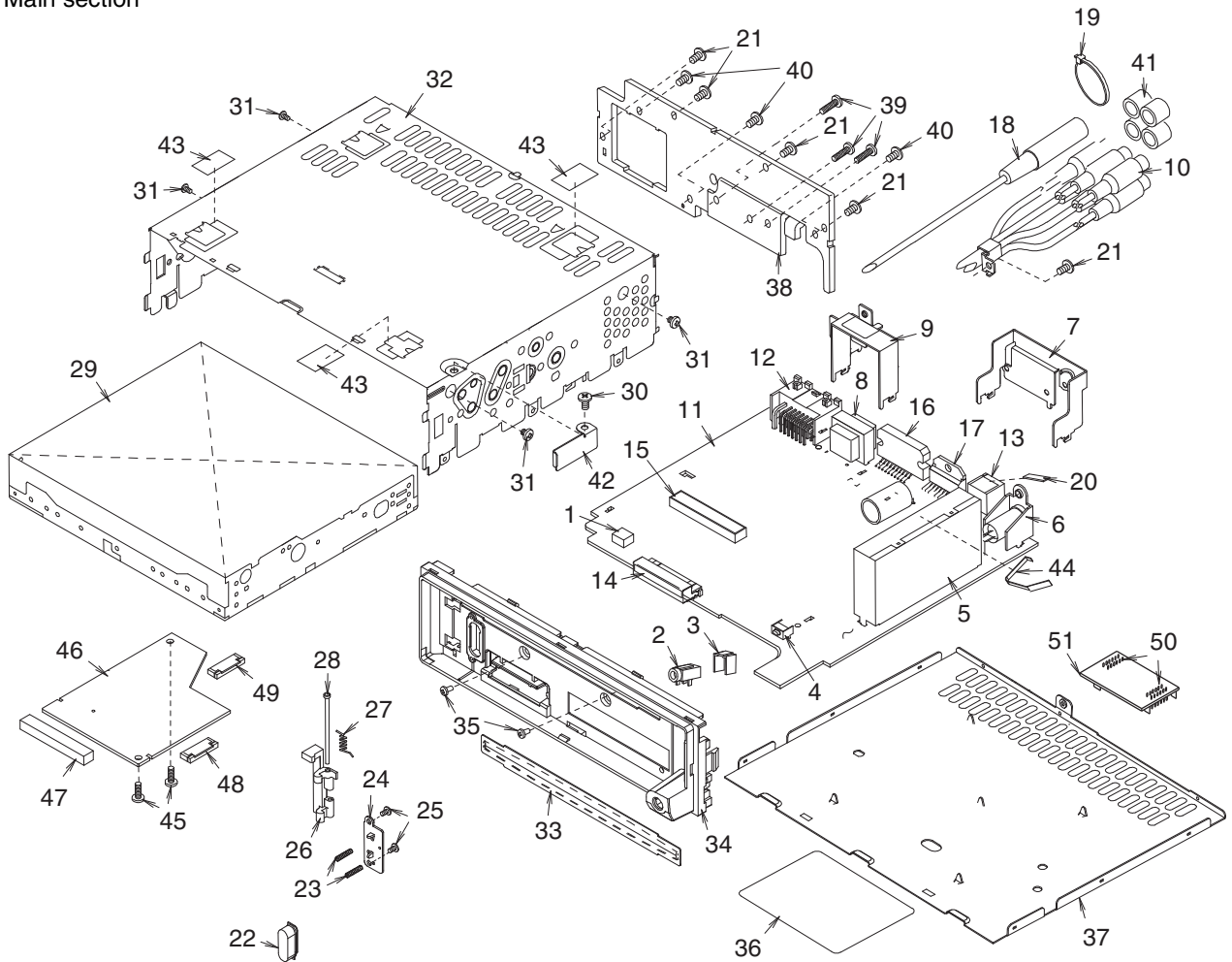
Note) Several different parts of the same reference number are alternative parts. One of those parts is used in the set.

■ : SANKOL application
Note) SANKOL uses CFD-409Z

Note) Some parts depend on each model. The model name is specified in the description.

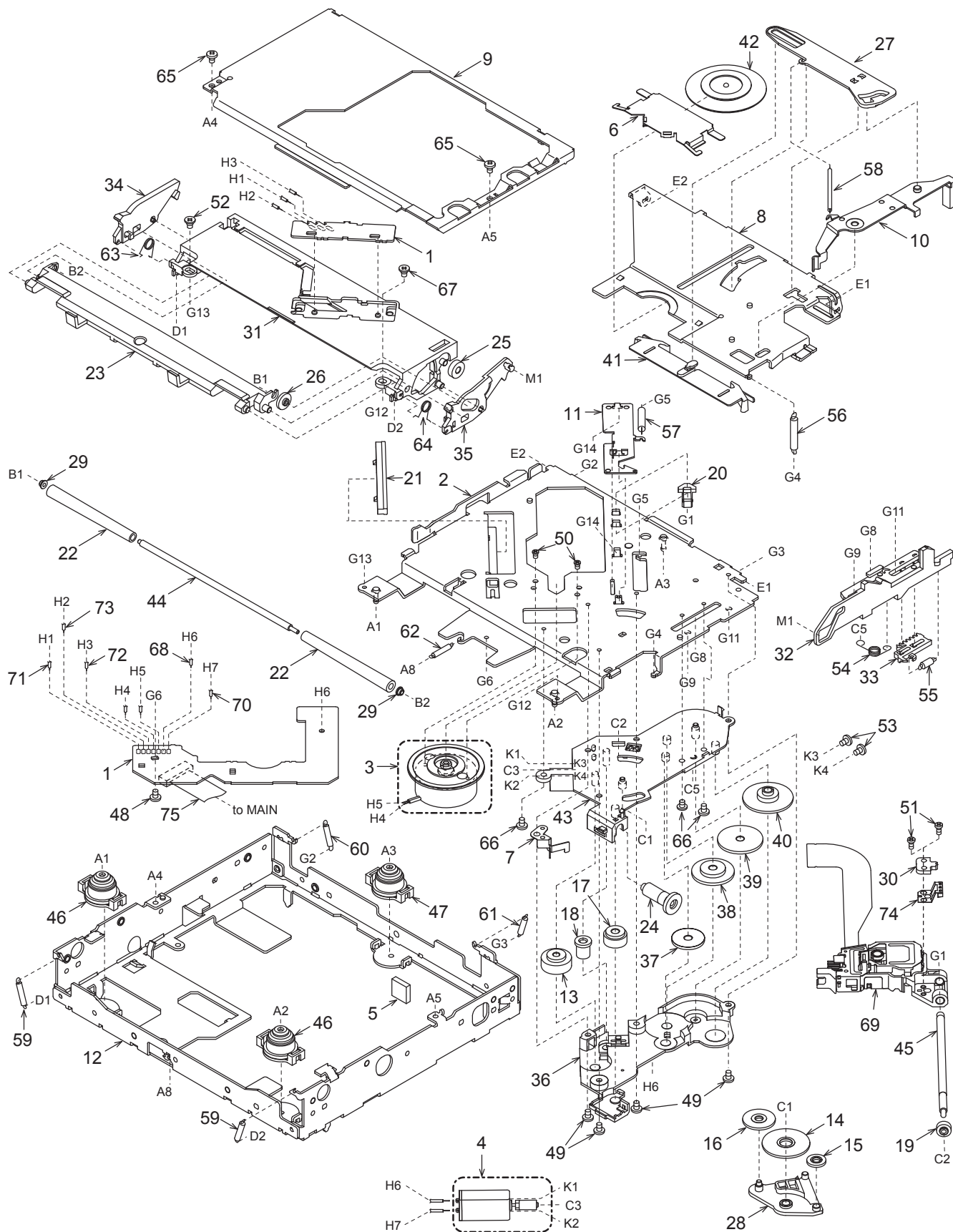
NO.	PART NO.	DESCRIPTION	Q'TY	NO.	PART NO.	DESCRIPTION	Q'TY
1	DCY-589-600	DCP ASSY(PE-2907B-A)	1	1-19	335-7973-00	REAR COVER	1
	DCY-589-800	DCP ASSY(PE-2907K-A/B)		1-20	716-0872-62	SCREW(M1.7x8)	6
1-1	373-1124-00	DIAL-CVR(PE-2907B-A)	1	1-21	051-6013-00	IC	1
	373-1124-03	DIAL-CVR(PE-2907K-A/B)		051-6013-50	IC	1	
1-2	382-8159-00	RELEASE BUTTON	1	1-22	331-4366-00	LCD-CVR	1
1-3	750-6855-00	RELEASE SPRING	1	1-23	379-1378-41	INDICATOR(LCD)	1
1-4	370-6259-00	ESCUTCHEON(PE-2907B-A)	1	1-24	347-8188-00	BLACK FILM	1
	370-6259-02	ESCUTCHEON(PE-2907K-A/B)		1-25	347-8189-00	FILM	1
1-5	380-5690-00	KNOB	1	1-26	335-7950-00	LCD ILLUMI	1
1-6	347-7986-00	DOUBLE FACE	1	1-27	345-6028-00	RUBBER PART	1
1-7	347-7510-00	DOUBLE FACE	2	1-28	335-7949-00	LCD-HOLDER	1
1-8	382-8150-00	BUTTON	1	1-29	001-7046-01	DIODE	1
1-9	382-8162-00	BUTTON	1	1-30	345-5899-03	LAMP CAP	3
1-10	382-8181-00	BUTTON	1	1-31	017-0444-00	PILOT LAMP(14V 50mA)	3
1-11	382-8161-00	BUTTON	1	1-32	016-9901-02	VR W/SHAFT	1
1-12	382-8160-00	BUTTON	1	1-33	076-0615-50	PLUG	1
1-13	382-8158-00	BUTTON	1	1-34	060-4017-90	IR-RECIEVER	1
1-14	382-8157-00	BUTTON	1	1-35	335-7970-01	KNOB RING	1
1-15	382-8151-00	BUTTON	1	1-36	347-8264-00	FILM	1
1-16	382-8443-00	BUTTON	1	1-37	347-8265-00	DOUBLE FACE	1
1-17	335-7974-00	ILLUMI	1	1-38	347-8268-00	FILM	1
1-18	345-5977-00	RUBBER KEY	1	1-39	347-8270-00	FILM	1
				1-40	-----	SWITCH PWB	1

Main section



NO.	PART NO.	DESCRIPTION	Q'TY
1	331-2869-00	SHIELD CASE	1
2	075-9018-00	JACK	1
3	331-4371-00	JACK HOLDER	1
4	013-6103-00	TACT SWITCH	1
5	880-2093B	TUNER	1
6	092-4000-51	ANT-RECEPT	1
7	331-3935-01	IC HOLDER	1
8	009-9006-60	CHOKE	1
9	331-3561-03	CONNECTOR-HOLD	1
10	855-5428-51	RCA PIN CORD	1
11	-----	MAIN PWB	1
12	074-1214-50	OUTLET SOCKET(16P)	1
13	074-1194-00	OUTLET SOCKET(13P)	1
14	074-1217-50	OUTLET SOCKET(12P)	1
15	076-3019-30	PLUG(30P)	1
16	051-2060-00	IC	1
17	051-3349-00	IC	1
18	855-0569-52	EXTENSION LEAD	1
19	335-0833-01	LEAD HOLDER	1
20	345-6061-00	CUSHION	1
21	731-3008-89	TAPTIGHT(M3x8)	5
22	382-4078-00	BUTTON(P-OUT)	1
23	750-3173-00	SPRING	2
24	331-2594-00	HOOK PLATE	1
25	716-0778-50	WAVE SCREW (M2x6)	2
26	335-5915-01	HOOK	1

NO.	PART NO.	DESCRIPTION	Q'TY
27	750-3219-00	SPRING(F-HOOK)	1
28	341-1627-00	SHAFT	1
29	929-5013-80	CD-MECH-MODULE	1
30	731-3006-85	TAPTIGHT(M3x6)	1
31	714-2603-89	SCREW(M2.6x3)	4
32	310-1853-01	UPPER CASE	1
33	346-0194-00	LEATHER SHEET	1
34	370-6258-00	INNER ES	1
35	780-2607-52	SCREW(M2.6x7)	2
36	276-0159-00	SETPLATE(PE-2907B-A)	1
	276-0208-00	SETPLATE(PE-2907K-A)	
	276-0209-00	SETPLATE(PE-2907K-B)	
37	311-1859-02	LOWER CASE	1
38	313-2006-00	HEAT SINK	1
39	714-2610-85	SCREW(M2.6x10)	3
40	714-3006-85	SCREW(M3x6)	3
41	345-3799-20	RUBBER PART	4
42	331-2744-00	STOPPER	1
43	347-7954-00	FILM	1
44	331-4312-01	EARTH PLATE	1
45	716-1507-01	SCREW(M2x3)	2
46	-----	MECH PWB	1
47	074-3019-80	OUTLET SOCKET(30P)	1
48	074-1138-65	OUTLET SOCKET(15P)	1
49	074-1138-60	OUTLET SOCKET(10P)	1
50	076-0659-12	PLUG	2
51	-----	SUB PWB	1



NO.	PART NO.	DESCRIPTION	Q'TY	NO.	PART NO.	DESCRIPTION	Q'TY
1	-----	SENSOR PWB	1	39	621-1750-20	POWER GEAR C	1
2	966-1743-21	DRIVE-PLT-ASSY	1	40	621-1751-20	POWER GEAR D	1
3	SMA-182-100	SPINDLE MOTOR-ASSY	1	41	621-1752-20	DISC STOPPER	1
4	SMA-197-100	SLED MOTOR-ASSY	1	42	621-1753-20	CLAMPER RING	1
5	345-5476-20	CUSHION RUBBER	1	43	621-1754-20	GEAR BASE	1
6	620-1023-23	CLAMPER PLATE	1	44	622-1571-21	ROLLER SHAFT	1
7	620-1026-21	SPRING PLATE	1	45	624-0020-00	LEAD SCREW	1
8	620-1596-23	CLAMPER LINK	1	46	629-0086-20	DAMPER F	2
9	620-1598-22	UPPER CHASSIS	1	47	629-0087-20	DAMPER R	1
10	620-1752-20	SENSOR ARM	1	48	716-1507-01	SCREW(M2x3)	1
11	620-1753-20	ID-LOCK PLATE	1	49	716-1670-01	SCREW(M2x4)	4
12	620-1791-20	LOWER CHASSIS	1	50	716-1733-01	SCREW(M1.7x2.3)	2
13	621-0608-21	SECOND GEAR	1	51	716-3469-01	SCREW(1.7x4)	2
14	621-0609-20	BASE GEAR	1	52	716-3473-01	SCREW(M2x3)	1
15	621-0610-20	IDLE GEAR A	1	53	716-3551-00	SCREW(M1.4x2.5)	2
16	621-0611-20	IDLE GEAR B	1	54	750-3467-21	SHIFT SPRING	1
17	621-0612-21	ROLLER GEAR A	1	55	750-3468-20	RACK SPRING	1
18	621-0620-20	THREAD GEAR A	1	56	750-3469-20	CLAMPER SPRING	1
19	621-0621-20	THREAD GEAR B	1	57	750-3470-20	ID-LOCK SPRING	1
20	621-0623-23	LS-HOLDER	1	58	750-3471-20	SENSOR SPRING	1
21	621-0624-22	GUIDE RAIL	1	59	750-3472-21	DR-SPRING F	2
22	621-0711-20	LOADING ROLLER	2	60	750-3473-20	DR-SPRING RA	1
23	621-0718-21	ROLLER GUIDE	1	61	750-3474-20	DR-SPRING RB	1
24	621-0719-20	ROLLER GEAR	1	62	750-3475-21	DR-SPRING C	1
25	621-0720-20	ROLLER GEAR C	1	63	750-6797-20	ROLLER SPRING L	1
26	621-0721-20	ROLLER GEAR D	1	64	750-6798-20	ROLLER SPRING R	1
27	621-0728-20	STOPPER LINK	1	65	714-2003-8B	SCREW(M2x3)	2
28	621-1719-20	IDLE CASE	1	66	780-2025-00	SCREW(M2x2.5)	3
29	621-1726-20	ROLLER SLEEVE	2	67	781-1730-00	SCREW(M1.7x3)	1
30	621-1729-20	SH-BASE	1	68	803-4906-60	VINYL-COAT-WIRE(ORG)	1
31	621-1742-20	UPPER GUIDE	1	69	969-0071-30	PICKUP-ASSY	1
32	621-1743-20	SHIFT LEVER	1	70	816-2590-00	SPECIAL LEAD(GRN)	1
33	621-1744-20	RACK	1	71	816-2591-00	SPECIAL LEAD(YEL)	1
34	621-1745-20	LOCK ARM L	1	72	816-2592-00	SPECIAL LEAD(BLUE)	1
35	621-1746-20	LOCK ARM R	1	73	816-2593-00	SPECIAL LEAD(PUR)	1
36	621-1747-20	GEAR COVER	1	74	966-1722-20	SH-RACK-ASSY	1
37	621-1748-20	POWER GEAR A	1	75	816-2542-01	FLAT WIRE	1
38	621-1749-20	POWER GEAR B	1				

ELECTRICAL PARTS LIST

Main PWB(B1) section

Note)Several different parts of the same reference number are alternative parts.

One of those parts is used in the set.

Some parts depend on each model. The model name is specified in the description.

REF No.	PART No.	DESCRIPTION	REF No.	PART No.	DESCRIPTION	REF No.	PART No.	DESCRIPTION
ANT201	092-4000-51	ANT-RECEPT	C118	046-1042-78	0.1uF	C213	168-1522-55	50V 1500pF
BL1	880-2093B	TUNER	C119	168-1042-78	25V 0.1uF	C214	168-1032-55	25V 0.01uF
C101	166-1011-50	50V 100pF	C120	187-1073-15	6.3V 100uF	C215	168-1032-55	25V 0.01uF
C103	046-1022-58	1000pF	C121	168-1042-78	25V 0.1uF	C216	168-6822-55	50V 6800pF
C104	168-1032-55	25V 0.01uF	C122	187-1073-35	16V 100uF	C217	168-5622-55	50V 5600pF
C105	042-0650-00	5.5V 0.1uF	C123	168-1042-78	25V 0.1uF	C218	187-1073-25	10V 100uF
C106	168-1022-55	50V1000pF	C124	187-1073-35	16V 100uF	C219	168-1032-55	25V 0.01uF
C107	168-1032-55	25V 0.01uF	C125	168-1042-78	25V 0.1uF	C220	187-4763-35	16V 47uF
C108	042-1577-00	6.3V 100uF	C126	046-1042-78	0.1uF	C221	168-4732-78	25V 0.047uF
C109	168-1032-55	25V 0.01uF	C128	166-4711-50	50V 470pF	C222	187-1053-65	50V 1uF
C110	168-1032-55	25V 0.01uF	C201	166-2201-50	50V 22pF	C223	168-1042-78	25V 0.1uF
C111	168-4732-78	25V 0.047uF	C203	166-2201-50	50V 22pF	C224	168-1022-55	50V1000pF
C112	168-6812-55	50V 680pF	C204	166-5611-50	50V 560pF	C225	045-1011-50	100pF
C113	166-4711-50	50V 470pF	C206	168-1032-55	25V 0.01uF	C226	046-4722-58	4700pF
C114	166-2211-50	50V 220pF	C208	187-1073-25	10V 100uF	C227	045-1011-50	100pF
C115	187-3363-45	10V 33uF	C210	168-1042-78	25V 0.1uF	C228	187-1053-65	50V 1uF
C116	045-1011-50	100pF	C211	166-1801-50	50V 18pF	C229	045-3311-50	330pF
C117	187-1063-35	16V 10uF	C212	166-1501-50	50V 15pF	C230	168-1832-55	25V 0.018uF

REF No.	PART No.	DESCRIPTION	REF No.	PART No.	DESCRIPTION	REF No.	PART No.	DESCRIPTION
C231	187-4763-15	6.3V 47uF	C454	166-4711-50	50V 470pF	D102	001-1310-00	KDS160
C233	168-2232-55	25V 0.022uF	C455	166-4711-50	50V 470pF	D103	001-4301-41	HZU7.5B2
C234	168-2232-55	25V 0.022uF	C456	168-2232-55	25V 0.022uF	D105	001-4301-26	HZU4.7B2
C250	187-4763-35	16V 47uF	C457	187-1063-35	16V 10uF	D107	001-1310-00	KDS160
C301	042-0423-97	16V 10uF	C458	168-1042-78	25V 0.1uF	D108	001-1310-00	KDS160
C302	042-0423-97	16V 10uF	C459	042-1631-50	10V 100uF	D109	001-0466-61	1A4
C303	042-0423-97	16V 10uF	C501	178-1052-78	25V 1uF	D110	001-0466-61	1A4
C304	042-0423-97	16V 10uF	C503	178-1052-78	25V 1uF	D111	001-1310-00	KDS160
C307	187-1053-65	50V 1uF	C505	178-1052-78	25V 1uF	D112	001-1310-00	KDS160
C308	187-1053-65	50V 1uF	C506	187-1073-15	6.3V 100uF	D114	001-1310-00	KDS160
C309	187-1053-65	50V 1uF	C507	187-1073-35	16V 100uF	D115	001-1310-00	KDS160
C310	187-1053-65	50V 1uF	C508	168-1042-78	25V 0.1uF	D205	001-1310-00	KDS160
C311	163-4763-35	6.3V 47uF	C509	046-4732-78	0.047uF	D301	001-4301-24	HZU4.3B2
C312	187-1053-65	50V 1uF	C510	166-4711-50	50V 470pF	D401	001-4301-44	HZU8.2B2
C313	187-1053-65	50V 1uF	C511	045-2211-50	220pF	D402	001-1310-00	KDS160
C314	042-0423-97	16V 10uF	C513	046-4732-78	0.047uF	D403	001-1310-00	KDS160
C315	166-1011-50	50V 100pF	C514	166-4711-50	50V 470pF	D404	001-2606-90	MIFS4
C316	166-1011-50	50V 100pF	C515	046-1042-78	0.1uF	D406	001-0592-61	1N5404
C317	168-1042-78	25V 0.1uF	C516	168-2222-55	50V 2200pF	D410	001-1310-00	KDS160
C318	163-4763-35	16V 47uF	C517	168-1042-78	25V 0.1uF	D418	001-0466-61	1A4
C319	166-1011-50	50V 100pF	C519	168-1042-78	25V 0.1uF	D501	001-0367-91	1SS226TE85L
C320	166-1011-50	50V 100pF	C520	046-6822-58	6800pF	IC101	052-3976-00	M30622MHP-E00GP
C324	166-1011-50	50V 100pF	C522	168-1042-78	25V 0.1uF	IC102	051-5443-08	BD4850G
C325	166-1011-50	50V 100pF	C523	046-3332-78	0.033uF	IC103	051-5437-58	R3111N211A
C330	042-0423-97	16V 10uF	C524	168-1042-78	25V 0.1uF	IC103	051-5437-08	R3111N211A
C331	168-1042-78	25V 0.1uF	C526	168-1042-78	25V 0.1uF	IC104	051-6600-90	LA2335M
C332	168-1042-78	25V 0.1uF	C527	046-3332-78	0.033uF	IC105	051-3349-00	HA13166E
C333	168-1042-78	25V 0.1uF	C528	168-1042-78	25V 0.1uF	IC201	051-6201-90	LC72146M
C334	168-1042-78	25V 0.1uF	C529	187-1063-35	16V 10uF	IC301	051-3059-90	NJM2120M
C335	042-0423-97	16V 10uF	C530	046-3322-58	3300pF	IC302	051-5028-90	TDA7409
C336	042-0423-97	16V 10uF	C531	168-3322-55	50V 3300pF	IC305	051-1527-08	TC4W53F
C337	042-0423-97	16V 10uF	C532	168-1042-78	25V 0.1uF	IC306	051-0556-93	NJM2058M
C338	042-0423-97	16V 10uF	C533	187-3353-65	50V 3.3uF	IC307	051-7103-08	TC4053BFT-EL
C339	042-0423-97	16V 10uF	C534	187-3353-65	50V 3.3uF	IC308	051-3059-90	NJM2120M
C340	168-1042-78	25V 0.1uF	C535	168-1042-78	25V 0.1uF	IC401	051-3605-90	NJM2360A
C341	168-1042-78	25V 0.1uF	C536	168-1042-78	25V 0.1uF	IC402	051-2060-00	LA47201-N-E
C342	168-1042-78	25V 0.1uF	C538	046-1042-78	0.1uF	IC501	051-6733-10	TC94A70FG-005
C343	168-1042-78	25V 0.1uF	C539	168-1042-78	25V 0.1uF	IC502	051-6079-80	BA5830FM
C344	168-4732-78	25V 0.047uF	C540	168-5622-55	50V 5600pF	IC503	051-3392-90	S-1323B15NB-N8ATFG
C345	168-4732-78	25V 0.047uF	C541	168-1042-78	25V 0.1uF	IC504	051-3392-90	S-1323B15NB-N8ATFG
C346	042-0423-97	16V 10uF	C542	166-6801-50	50V 68pF	J101	075-9018-00	JACK
C347	042-0423-97	16V 10uF	C543	046-1532-78	0.015uF	J102	074-1194-00	13P
C401	042-1631-50	10V 100uF	C544	168-1042-78	25V 0.1uF	J103	074-1217-50	12P
C402	168-1042-78	25V 0.1uF	C545	168-1032-55	25V 0.01uF	J301	074-1106-12	12P
C405	166-2211-50	50V 220pF	C546	168-1042-78	25V 0.1uF	J401	074-1214-50	16P
C410	042-1452-81	10V 220uF	C547	046-1042-78	0.1uF	J402	074-1106-12	12P
C413	178-4742-78	25V 0.47uF	C548	046-4722-58	4700pF	L102	010-3100-66	2.2uH
C414	178-4742-78	25V 0.47uF	C549	187-1053-65	50V 1uF	L103	010-3100-66	2.2uH
C415	178-4742-78	25V 0.47uF	C550	046-3322-58	3300pF	L104	010-3100-66	2.2uH
C416	178-4742-78	25V 0.47uF	C551	046-1032-78	0.01uF	L105	010-6025-00	10uH
C421	046-4722-58	4700pF	C552	046-1042-78	0.1uF	L106	010-3100-66	2.2uH
C428	187-1063-35	16V 10uF	C554	168-1532-55	25V 0.015uF	L107	010-3112-90	1K ohm/100MHz
C435	178-4742-78	25V 0.47uF	C556	045-4701-50	47pF	L201	010-2003-04	30uH
C437	042-0423-94	10V 4.7uF	C558	168-1042-78	25V 0.1uF	L202	010-6027-00	220uH
C438	042-0423-94	10V 4.7uF	C559	168-1042-78	25V 0.1uF	L203	010-3112-90	1K ohm/100MHz
C440	042-0423-94	10V 4.7uF	C561	168-1042-78	25V 0.1uF	L204	010-3112-90	1K ohm/100MHz
C441	042-0423-94	10V 4.7uF	C564	168-1042-78	25V 0.1uF	L401	010-2285-56	2.25K ohm 100MHz
C442	187-1053-65	50V 1uF	C567	187-1073-15	6.3V 100uF	L402	010-2285-56	2.25K ohm 100MHz
C445	172-1041-15	50V 0.1uF	C569	187-1073-15	6.3V 100uF	L403	010-6003-03	270uH
C446	042-1447-00	16V 2200uF	C570	168-1042-78	25V 0.1uF	L404	010-3406-66	22uH
C447	166-4711-50	50V 470pF	C572	168-1042-78	25V 0.1uF	P1	076-3019-30	PLUG(30P)
C449	166-4711-50	50V 470pF	C573	187-2263-35	16V 22uF	Q104	190-1602-00	2SA1602A
C450	166-4711-50	50V 470pF	C574	168-1042-78	25V 0.1uF	Q105	198-3018-00	2SK3018
C451	166-4711-50	50V 470pF	C576	187-2263-35	16V 22uF	Q106	198-3018-00	2SK3018
C452	166-4711-50	50V 470pF	C578	178-1052-78	25V 1uF	Q107	198-3018-00	2SK3018
C453	166-4711-50	50V 470pF	D101	001-1310-00	KDS160	Q108	198-3018-00	2SK3018

REF No.	PART No.	DESCRIPTION	REF No.	PART No.	DESCRIPTION	REF No.	PART No.	DESCRIPTION
Q109	125-2041-92	RT1N141M	R132	119-1031-15	1/16W 10K ohm (PE2907K-A/B)	R334	032-0140-89	1/10W 47K ohm F
Q110	125-2041-93	RT1N241M				R335	033-2231-15	1/16W 22K ohm
Q111	125-3005-90	KTA1273	R133	119-1031-15	1/16W 10K ohm	R336	119-2231-15	1/16W 22K ohm
Q112	125-2041-93	RT1N241M	R134	119-1031-15	1/16W 10K ohm (PE2907B-A)	R337	119-2231-15	1/16W 22K ohm
Q113	125-0034-92	RT1P141M				R338	119-2231-15	1/16W 22K ohm
Q114	125-4010-90	2SC4155A	R135	033-1031-15	1/16W 10K ohm	R339	119-2231-15	1/16W 22K ohm
Q116	190-1602-00	2SA1602A	R136	033-4721-15	1/16W 4.7K ohm	R340	119-1021-15	1/16W 1K ohm
Q117	125-2041-93	RT1N241M	R137	119-1031-15	1/16W 10K ohm	R341	119-1031-15	1/16W 10K ohm
Q118	190-1602-00	2SA1602A	R138	033-4731-15	1/16W 47K ohm	R342	119-1031-15	1/16W 10K ohm
Q121	190-1602-00	2SA1602A	R143	119-1541-15	1/16W 150K ohm	R343	119-1021-15	1/16W 1K ohm
Q122	125-2041-92	RT1N141M	R144	116-4721-15	1/4WS 4.7K ohm	R344	119-2231-15	1/16W 22K ohm
Q123	125-9026-90	IMF29	R145	033-1531-15	1/16W 15K ohm	R345	119-1041-15	1/16W 100K ohm
Q202	125-2041-93	RT1N241M	R146	033-4731-15	1/16W 47K ohm	R347	119-2231-15	1/16W 22K ohm
Q205	125-0034-93	RT1P241M	R147	033-4731-15	1/16W 47K ohm	R360	119-1041-15	1/16W 100K ohm
Q206	125-0034-93	RT1P241M	R148	033-1031-15	1/16W 10K ohm	R361	033-4731-15	1/16W 47K ohm
Q208	125-4011-90	KTD863YAT	R149	119-1031-15	1/16W 10K ohm	R362	033-4731-15	1/16W 47K ohm
Q301	125-2041-93	RT1N241M	R150	033-3321-15	1/16W 3.3K ohm	R403	119-2291-15	1/16W 2.2 ohm
Q401	125-2041-93	RT1N241M	R151	119-5621-15	1/16W 5.6K ohm	R404	119-2291-15	1/16W 2.2 ohm
Q402	125-2041-93	RT1N241M	R152	033-1041-15	1/16W 100K ohm	R405	119-1531-15	1/16W 15K ohm
Q403	192-4155-49	2SC4155A	R153	033-4731-15	1/16W 47K ohm	R407	119-2721-15	1/16W 2.7K ohm
Q404	125-2041-96	RT1N436M	R154	116-1521-15	1/4WS 1.5K ohm	R408	033-8221-15	1/16W 8.2K ohm
Q405	125-2198-90	KRC110S	R156	033-2741-15	1/16W 270K ohm	R409	033-1021-15	1/16W 1K ohm
Q409	125-0034-96	RT1P436M	R157	033-4721-15	1/16W 4.7K ohm	R410	033-1021-15	1/16W 1K ohm
Q410	125-4012-90	KTD1304	R158	116-6801-15	1/4WS 68 ohm	R411	033-4711-15	1/16W 470 ohm
Q411	125-4012-90	KTD1304	R159	116-1221-15	1/4WS 1.2K ohm	R412	033-2231-15	1/16W 22K ohm
Q412	125-4012-90	KTD1304	R160	033-1031-15	1/16W 10K ohm	R415	033-4721-15	1/16W 4.7K ohm
Q413	125-4012-90	KTD1304	R207	119-2221-15	1/16W 2.2K ohm	R423	116-3911-15	1/4WS 390 ohm
Q500	192-4155-49	2SC4155A	R208	119-8201-15	1/16W 82 ohm	R424	033-1231-15	1/16W 12K ohm
Q501	131-1188-50	2SB1188	R209	119-2221-15	1/16W 2.2K ohm	R427	033-1021-15	1/16W 1K ohm
Q502	198-3018-00	2SK3018	R210	119-2221-15	1/16W 2.2K ohm	R428	033-1021-15	1/16W 1K ohm
Q503	192-4155-49	2SC4155A	R211	119-1021-15	1/16W 1K ohm	R429	033-1021-15	1/16W 1K ohm
Q504	190-1365-50	2SA1365	R214	033-1031-15	1/16W 10K ohm	R430	033-1021-15	1/16W 1K ohm
Q505	125-2041-96	RT1N436M	R215	033-6821-15	1/16W 6.8K ohm	R446	033-1031-15	1/16W 10K ohm
Q506	125-2041-96	RT1N436M	R218	119-4741-15	1/16W 470K ohm	R448	033-2231-15	1/16W 22K ohm
Q507	125-2041-92	RT1N141M	R219	119-1021-15	1/16W 1K ohm	R449	033-2231-15	1/16W 22K ohm
Q508	125-0034-92	RT1P141M	R220	119-1231-15	1/16W 12K ohm	R450	033-2231-15	1/16W 22K ohm
R101	119-4731-15	1/16W 47K ohm	R221	119-5631-15	1/16W 56K ohm	R451	033-2231-15	1/16W 22K ohm
R102	119-4731-15	1/16W 47K ohm	R224	033-1041-15	1/16W 100K ohm	R452	033-3311-15	1/16W 330 ohm
R103	119-1041-15	1/16W 100K ohm	R227	119-1031-15	1/16W 10K ohm	R453	033-3311-15	1/16W 330 ohm
R104	119-1041-15	1/16W 100K ohm	R230	119-1031-15	1/16W 10K ohm	R455	033-3311-15	1/16W 330 ohm
R105	033-1031-15	1/16W 10K ohm	R236	119-3311-15	1/16W 330 ohm	R456	033-3311-15	1/16W 330 ohm
R106	033-4721-15	1/16W 4.7K ohm	R301	032-0140-58	1/10W 51K ohm F	R458	119-1021-15	1/16W 1K ohm
R107	033-3331-15	1/16W 33K ohm	R302	032-0140-58	1/10W 51K ohm F	R459	119-1021-15	1/16W 1K ohm
R108	033-1031-15	1/16W 10K ohm	R303	032-0140-58	1/10W 51K ohm F	R460	116-4721-15	1/4WS 4.7K ohm
R109	119-6821-15	1/16W 6.8K ohm	R304	032-0140-58	1/10W 51K ohm F	R461	119-6831-15	1/16W 68K ohm
R110	033-1811-15	1/16W 180 ohm	R305	032-0140-51	1/10W 15K ohm F	R462	119-1041-15	1/16W 100K ohm
R111	033-3331-15	1/16W 33K ohm	R306	032-0140-51	1/10W 15K ohm F	R501	033-2211-15	1/16W 220 ohm
R112	119-4721-15	1/16W 4.7K ohm	R307	033-4721-15	1/16W 4.7K ohm	R502	116-6811-15	1/4W 680 ohm
R113	119-6821-15	1/16W 6.8K ohm	R308	033-4721-15	1/16W 4.7K ohm	R504	116-1001-15	1/4WS 10 ohm
R114	119-4721-15	1/16W 4.7K ohm	R309	032-0140-51	1/10W 15K ohm F	R505	119-2731-15	1/16W 27K ohm
R115	033-3331-15	1/16W 33K ohm	R310	032-0140-51	1/10W 15K ohm F	R506	119-2731-15	1/16W 27K ohm
R116	033-1811-15	1/16W 180 ohm	R312	033-3311-15	1/16W 330 ohm	R507	119-2731-15	1/16W 27K ohm
R117	033-1811-15	1/16W 180 ohm	R313	119-2711-15	1/16W 270 ohm	R508	119-2731-15	1/16W 27K ohm
R118	033-1811-15	1/16W 180 ohm	R314	119-2711-15	1/16W 270 ohm	R509	033-6811-15	1/16W 680 ohm
R119	033-4721-15	1/16W 4.7K ohm	R315	119-2711-15	1/16W 270 ohm	R510	033-1051-15	1/16W 1M ohm
R120	119-6821-15	1/16W 6.8K ohm	R316	119-2711-15	1/16W 270 ohm	R511	033-2211-15	1/16W 220 ohm
R121	033-3331-15	1/16W 33K ohm	R324	032-0140-64	1/10W 43K ohm F	R512	119-8231-15	1/16W 82K ohm
R122	119-6821-15	1/16W 6.8K ohm	R325	032-0140-64	1/10W 43K ohm F	R513	033-1051-15	1/16W 1M ohm
R123	033-1041-15	1/16W 100K ohm	R326	119-2231-15	1/16W 22K ohm	R514	033-3311-15	1/16W 330 ohm
R124	033-1031-15	1/16W 10K ohm	R327	032-0140-64	1/10W 43K ohm F	R515	119-8231-15	1/16W 82K ohm
R125	033-1021-15	1/16W 1K ohm	R328	032-0140-64	1/10W 43K ohm F	R516	119-1531-15	1/16W 15K ohm
R126	033-1021-15	1/16W 1K ohm	R329	119-1031-15	1/16W 10K ohm	R517	033-4701-15	1/16W 47 ohm
R127	033-1021-15	1/16W 1K ohm	R330	119-1031-15	1/16W 10K ohm	R518	033-1051-15	1/16W 1M ohm
R128	033-1021-15	1/16W 1K ohm	R331	032-0140-89	1/10W 47K ohm F	R519	033-3311-15	1/16W 330 ohm
R129	119-1031-15	1/16W 10K ohm	R332	032-0140-89	1/10W 47K ohm F	R520	119-4731-15	1/16W 47K ohm
R130	116-1021-15	1/4WS 1K ohm	R333	032-0140-89	1/10W 47K ohm F	R521	033-1031-15	1/16W 10K ohm

REF No.	PART No.	DESCRIPTION	REF No.	PART No.	DESCRIPTION	REF No.	PART No.	DESCRIPTION
R522	119-1031-15	1/16W 10K ohm	R538	033-0000-05	0.5A 0 ohm	R562	119-1031-15	1/16W 10K ohm
R523	033-0000-05	0.5A 0 ohm	R541	033-1041-15	1/16W 100K ohm	R563	032-0140-67	1/10W 3.3K ohm F
R524	033-2731-15	1/16W 27K ohm	R542	033-1041-15	1/16W 100K ohm	R564	033-1031-15	1/16W 10K ohm
R525	033-1831-15	1/16W 18K ohm	R543	033-1041-15	1/16W 100K ohm	R565	033-1221-15	1/16W 1.2K ohm
R537	119-1041-15	1/16W 100K ohm	R544	119-4731-15	1/16W 47K ohm	S101	013-6103-00	SWITCH
R527	119-2231-15	1/16W 22K ohm	R545	119-1041-15	1/16W 100K ohm	SUP201	060-0122-20	DSP-141N-S00B
R528	033-1041-15	1/16W 100K ohm	R548	119-6821-15	1/16W 6.8K ohm	T101	009-9006-60	CHOKE
R531	033-5621-15	1/16W 5.6K ohm	R554	033-1031-15	1/16W 10K ohm	X101	060-1533-90	10MHz
R532	033-1031-15	1/16W 10K ohm	R555	033-1041-15	1/16W 100K ohm	X201	061-1066-00	7.2MHz
R533	033-3341-15	1/16W 330K ohm	R556	032-0140-70	1/10W 1.8K ohm F	X501	060-1535-90	16.934MHz
R534	033-4731-15	1/16W 47K ohm	R559	032-0140-70	1/10W 1.8K ohm F	PWB	039-3041-00	PWB(WITHOUT COMPONENT)
R535	119-2231-15	1/16W 22K ohm	R560	032-0140-67	1/10W 3.3K ohm F			
R536	033-3331-15	1/16W 33K ohm	R561	033-1041-15	1/16W 100K ohm			

Switch PWB(B2) section

REF No.	PART No.	DESCRIPTION	REF No.	PART No.	DESCRIPTION	REF No.	PART No.	DESCRIPTION
C701	168-4742-78	25V 0.047uF	D706	001-4301-38	HZU6.8B2	IC701	051-6013-00	LC75854
C702	168-4742-78	25V 0.047uF	D707	001-4907-90	HZU6.2B2	IC701	051-6013-50	LC75854
C703	168-4742-78	25V 0.047uF	D708	001-4907-90	HZU6.2B2	IR701	060-4017-90	RS-671
C704	168-1022-55	50V 1000pF	R701	119-4711-15	1/16W 470K ohm	J701	076-0615-00	PLUG(30P)
C705	042-0423-97	16V 10uF TAN	R702	119-4731-15	1/16W 47K	LCD702	379-1378-41	INDICATOR(LCD)
C706	042-0423-97	16V 10uF TAN	R703	119-6841-15	1/16W 680K	PL701	017-0444-00	PILOTLAMP(14V 50mA)
CCT701	050-0149-52	2.2K	R704	119-2231-15	1/16W 22K	PL702	017-0444-00	PILOTLAMP(14V 50mA)
D701	001-7046-01	DIODE	R705	119-6811-15	1/16W 680K ohm	PL703	017-0444-00	PILOTLAMP(14V 50mA)
D702	001-4907-90	PG05GBUSU	R706	119-8211-15	1/16W 820K ohm	VR701	016-9901-02	VR W/SHAFT
D703	001-4301-41	HZU7.5B2	R707	119-1021-15	1/16W 1KK ohm	PWB	039-3042-00	PWB(WITHOUT COMPONENT)
D704	001-1310-00	KDS160	R708	119-1011-15	1/16W 100K ohm			
D705	001-4301-29	HZU5.1B2	R709	119-1031-15	1/16W 10K ohm			

Sub PWB(B3) section

REF No.	PART No.	DESCRIPTION	REF No.	PART No.	DESCRIPTION	REF No.	PART No.	DESCRIPTION
C321	042-0423-97	10V 100uF	D113	001-1310-00	KDS160	R432	033-1041-15	1/16W 100k ohm
C322	046-1042-78	0.1uF	IC303	051-5834-90	UPC5701-028	R433	033-1041-15	1/16W 100k ohm
C323	046-1042-78	0.1uF	IC403	051-3060-90	AZ4558M	R434	033-1041-15	1/16W 100k ohm
C326	046-1042-78	0.1uF	IC404	051-3060-90	AZ4558M	R435	033-1041-15	1/16W 100k ohm
C327	163-2273-25	10V 220uF	L301	010-3112-90	1k ohm 100MHz	R436	033-1031-15	1/16W 10k ohm
C328	046-1042-78	0.1uF	L302	010-3112-90	1k ohm 100MHz	R437	033-1031-15	1/16W 10k ohm
C329	046-1042-78	0.1uF	L303	010-3112-90	1k ohm 100MHz	R438	033-1031-15	1/16W 10k ohm
C417	042-0397-54	10V 2.2uF	L304	010-3112-90	1k ohm 100MHz	R439	033-1031-15	1/16W 10k ohm
C418	042-0397-54	10V 2.2uF	L305	010-3406-66	220uH	R441	033-1031-15	1/16W 10k ohm
C419	042-0397-54	10V 2.2uF	P500	076-0659-12	12P	R442	033-1031-15	1/16W 10k ohm
C420	042-0397-54	10V 2.2uF	P501	076-0659-12	12P	R443	033-1031-15	1/16W 10k ohm
C429	045-1011-50	100pF	R321	033-3931-15	1/16W 39k ohm	R444	033-1031-15	1/16W 10k ohm
C431	045-1011-50	100pF	R322	033-4721-15	1/16W 4.7k ohm	PWB	039-3038-00	PWB(WITHOUT COMPONENT)
C433	045-1011-50	100pF	R323	033-4721-15	1/16W 4.7k ohm			
C434	045-1011-50	100pF						

CD mechanism section : 929-5013-80

SENSOR PWB (B4) section

REF No.	PART No.	DESCRIPTION	REF No.	PART No.	DESCRIPTION	REF No.	PART No.	DESCRIPTION
D1	001-7058-90	AN1105W-RR	Q1	060-4015-91	PS1192HB	S2	013-7413-50	LIMIT
D2	001-7058-90	AN1105W-RR	Q2	060-4015-91	PS1192HB	PWB	039-2675-20	PWB(WITHOUT COMPONENT)
J1	074-1138-60	10P	S1	013-7414-50	CHUCKING			

MECH PWB(B5) section

REF No.	PART No.	DESCRIPTION	REF No.	PART No.	DESCRIPTION	REF No.	PART No.	DESCRIPTION
J201	074-1138-65	15P	J301	074-1138-60	10P	PWB	039-3043-00	PWB(WITHOUT COMPONENT)
			J401	074-3019-80	30P			