

(1) PACKING SECTION PARTS LIST

| <u>Mark No.</u> | <u>Description</u> | <u>Part No.</u> | <u>Mark No.</u> | <u>Description</u> | <u>Part No.</u> |
|-----------------|--------------------------|------------------------|-----------------|---------------------|------------------------|
| 1 | Cord Assy | See Contrast table (2) | 13 | IM CD-ROM | See Contrast table (2) |
| 2 | USB Extended Cable | CDP1585 | 14 | Microphone Assy | CPM1083 |
| 3 | Polyethylene Bag | CEG1160 | 15 | Holder | CZN7192 |
| 4 | Screw | See Contrast table (2) | | | |
| 5 | Screw | TRZ50P080FTC | 16 | Cushion | CZN7193 |
| | | | 17-1 | Owner's Manual | See Contrast table (2) |
| 6 | Handle | See Contrast table (2) | * 17-2 | Warranty Card | See Contrast table (2) |
| 7 | Cover | See Contrast table (2) | 17-3 | Quick Start Guide | See Contrast table (2) |
| 8 | Unit Box | See Contrast table (2) | 17-4 | Installation Manual | See Contrast table (2) |
| 9 | Contain Box | See Contrast table (2) | | | |
| 10 | Protector | See Contrast table (2) | * 17-5 | Caution Card | See Contrast table (2) |
| | | | * 17-6 | Caution Card | See Contrast table (2) |
| 11 | Card Remote Control Unit | See Contrast table (2) | * 17-7 | Service Network | See Contrast table (2) |
| 12 | Panel | See Contrast table (2) | 18 | Cord Assy | See Contrast table (2) |

(2) CONTRAST TABLE

AVH-X2600BT/XNUC, AVH-X2600BT/XNEW5, AVH-X2600BT/XNUW5, AVH-X2650BT/XNRC, AVH-X2650BT/XNRD, AVH-X2650BT/XNRI and AVH-X2690BT/XNID are constructed the same except for the following:

| Mark | No. | Description | AVH-X2600BT/ XNUC | AVH-X2600BT/ XNEW5 | AVH-X2600BT/ XNUW5 | AVH-X2650BT/ XNRC |
|-------------|------------|--------------------------|------------------------------|-------------------------------|-------------------------------|------------------------------|
| | 1 | Cord Assy | CDP1668 | CDP1436 | CDP1436 | CDP1668 |
| | 4 | Screw | CRZ50P090FTC | CRZ50P090FTC | CRZ50P090FTC | Not used |
| | 6 | Handle | Not used | CND6289 | CND6289 | Not used |
| | 7 | Cover | CEG1359 | CEG1356 | CEG1356 | CEG1356 |
| | 8 | Unit Box | CHG8422 | CHG8430 | CHG8432 | CHG8423 |
| | 9 | Contain Box | CHL8422 | CHG8430 | CHL8432 | CHL8423 |
| | 10 | Protector | CHP4598 | CHP4599 | CHP4599 | CHP4598 |
| | 11 | Card Remote Control Unit | CXE5116 | Not used | Not used | CXE5116 |
| | 12 | Panel | Not used | Not used | Not used | CNS9475 |
| | 13 | IM CD-ROM | Not used | CPJ1471 | Not used | Not used |
| * | 17-1 | Owner's Manual | CRD4758 | Not used | CRB4290 | CRD4759 |
| | 17-2 | Warranty Card | QRY3001 | CRY1376 | CRY1330 | Not used |
| | 17-3 | Quick Start Guide | Not used | CRD4756 | Not used | Not used |
| | 17-4 | Installation Manual | Not used | CRD4757 | Not used | Not used |
| * | 17-5 | Caution Card | Not used | CRP1436 | Not used | Not used |
| * | 17-6 | Caution Card | Not used | CRP1441 | Not used | Not used |
| * | 17-7 | Service Network | Not used | Not used | Not used | Not used |
| | 18 | Cord Assy | Not used | Not used | Not used | CDP1655 |

| Mark | No. | Description | AVH-X2650BT/ XNRD | AVH-X2650BT/XNRI | AVH-X2690BT/XNID |
|-------------|------------|--------------------------|------------------------------|-------------------------|-------------------------|
| | 1 | Cord Assy | CDP1668 | CDP1668 | CDP1668 |
| | 4 | Screw | Not used | Not used | Not used |
| | 6 | Handle | Not used | CND6289 | Not used |
| | 7 | Cover | CEG1356 | CEG1356 | CEG1356 |
| | 8 | Unit Box | CHG8424 | CHG8433 | CHG8425 |
| | 9 | Contain Box | CHL8424 | CHL8433 | CHL8425 |
| | 10 | Protector | CHP4598 | CHP4599 | CHP4598 |
| | 11 | Card Remote Control Unit | CXE5116 | CXE5116 | CXE5116 |
| | 12 | Panel | CNS9475 | CNS9475 | CNS9475 |
| | 13 | IM CD-ROM | Not used | Not used | Not used |
| * | 17-1 | Owner's Manual | CRD4760 | CRD4761 | CRB4291 |
| | 17-2 | Warranty Card | Not used | Not used | CRY1304 |
| | 17-3 | Installation Manual | Not used | Not used | Not used |
| | 17-4 | Installation Manual | Not used | Not used | Not used |
| * | 17-5 | Caution Card | Not used | Not used | Not used |

9.2 EXTERIOR (1)

1

2

3

4

A

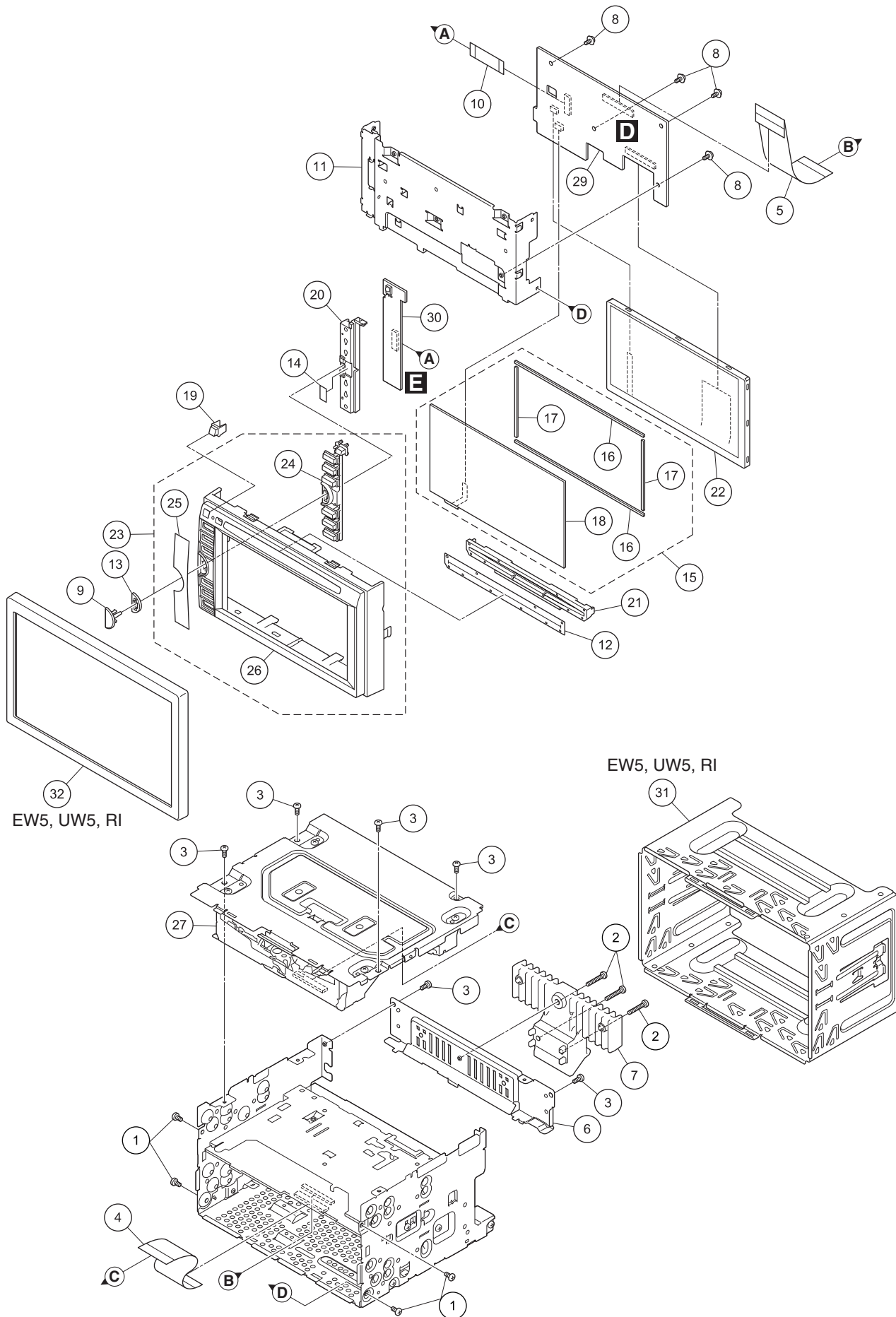
B

C

D

E

F



1

2

3

4

(1) EXTERIOR (1) SECTION PARTS LIST

| <u>Mark No.</u> | <u>Description</u> | <u>Part No.</u> | <u>Mark No.</u> | <u>Description</u> | <u>Part No.</u> |
|-----------------|----------------------------|-----------------|-----------------|----------------------------|------------------------|
| 1 | Screw | BSZ26P050FTC | 17 | Cushion | CNN4274 |
| 2 | Screw | BSZ26P120FTC | 18 | Touch Panel | CSX1184 |
| 3 | Screw | BSZ26P060FTC | 19 | Lighting Conductor | CNW2588 |
| 4 | FFC | CDE9765 | 20 | Lighting Conductor | CNW2589 |
| 5 | FFC | CDE9767 | 21 | Holder | CNW2590 |
| 6 | Holder | YND5148 | 22 | TFT LCD | CWX4218 |
| 7 | Heat Sink | CNR2147 | 23 | Grille Assy | See Contrast table (2) |
| 8 | Screw | ASZ26P050FTC | 24 | Button | CAI3844 |
| 9 | Button (HOME) | CAI3845 | 25 | Plate | CNN4709 |
| 10 | FFC | CDE9768 | 26 | Grille | See Contrast table (2) |
| 11 | Holder | CND6527 | 27 | DVD Mechanism Module (LS2) | CXX8003 |
| 12 | Cover | CNN2628 | 28 | ••••• | |
| 13 | Cushion | CNN4186 | 29 | Service Unit (Monitor) | CXX6055 |
| 14 | Sheet | CNN4187 | 30 | Service Unit (Keyboard) | CXX6059 |
| 15 | Service Unit (Touch Panel) | CXX6233 | 31 | Holder | See Contrast table (2) |
| 16 | Cushion | CNN4273 | 32 | Panel | See Contrast table (2) |

(2) CONTRAST TABLE

AVH-X2600BT/XNUC, AVH-X2600BT/XNEW5, AVH-X2600BT/XNUW5, AVH-X2650BT/XNRC, AVH-X2650BT/XNRD, AVH-X2650BT/XNRI and AVH-X2690BT/XNID are constructed the same except for the following:

| Mark | No. | Description | AVH-X2600BT/ XNUC | AVH-X2600BT/ XNEW5 | AVH-X2600BT/ XNUW5 | AVH-X2650BT/ XNRC |
|------|-----|-------------|----------------------|-----------------------|-----------------------|----------------------|
| | 23 | Grille Assy | CXE6854 | CXE6851 | CXE6851 | CXE6855 |
| | 26 | Grille | CNU2537 | CNU2534 | CNU2534 | CNU2538 |
| | 31 | Holder | Not used | CND6288 | CND6288 | Not used |
| | 32 | Panel | Not used | CNS9952 | CNS9952 | Not used |

| Mark | No. | Description | AVH-X2650BT/ XNRD | AVH-X2650BT/XNRI | AVH-X2690BT/XNID |
|------|-----|-------------|----------------------|------------------|------------------|
| | 23 | Grille Assy | CXE6855 | CXE6855 | CXE6856 |
| | 26 | Grille | CNU2538 | CNU2538 | CNU2539 |
| | 31 | Holder | Not used | CND6288 | Not used |
| | 32 | Panel | Not used | CNS9952 | Not used |

9.3 EXTERIOR (2)

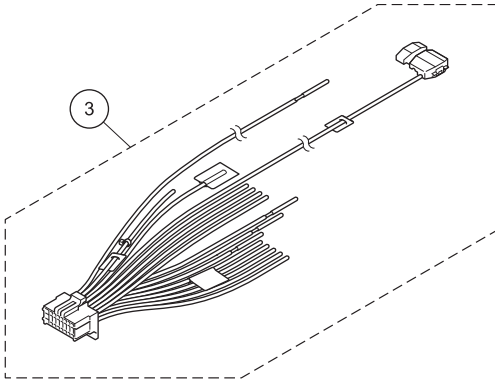
1

2

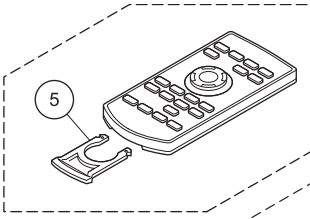
3

4

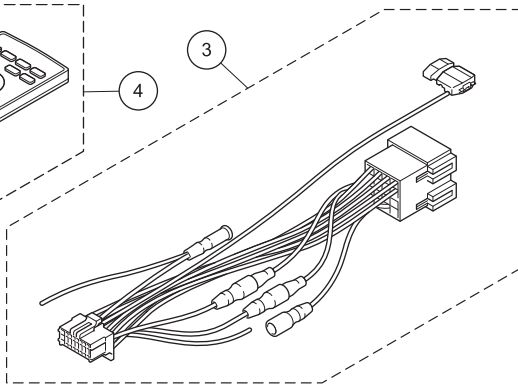
A



UC, RC, RD, RI, ID



UC, RC, RD, RI, ID



EW5, UW5

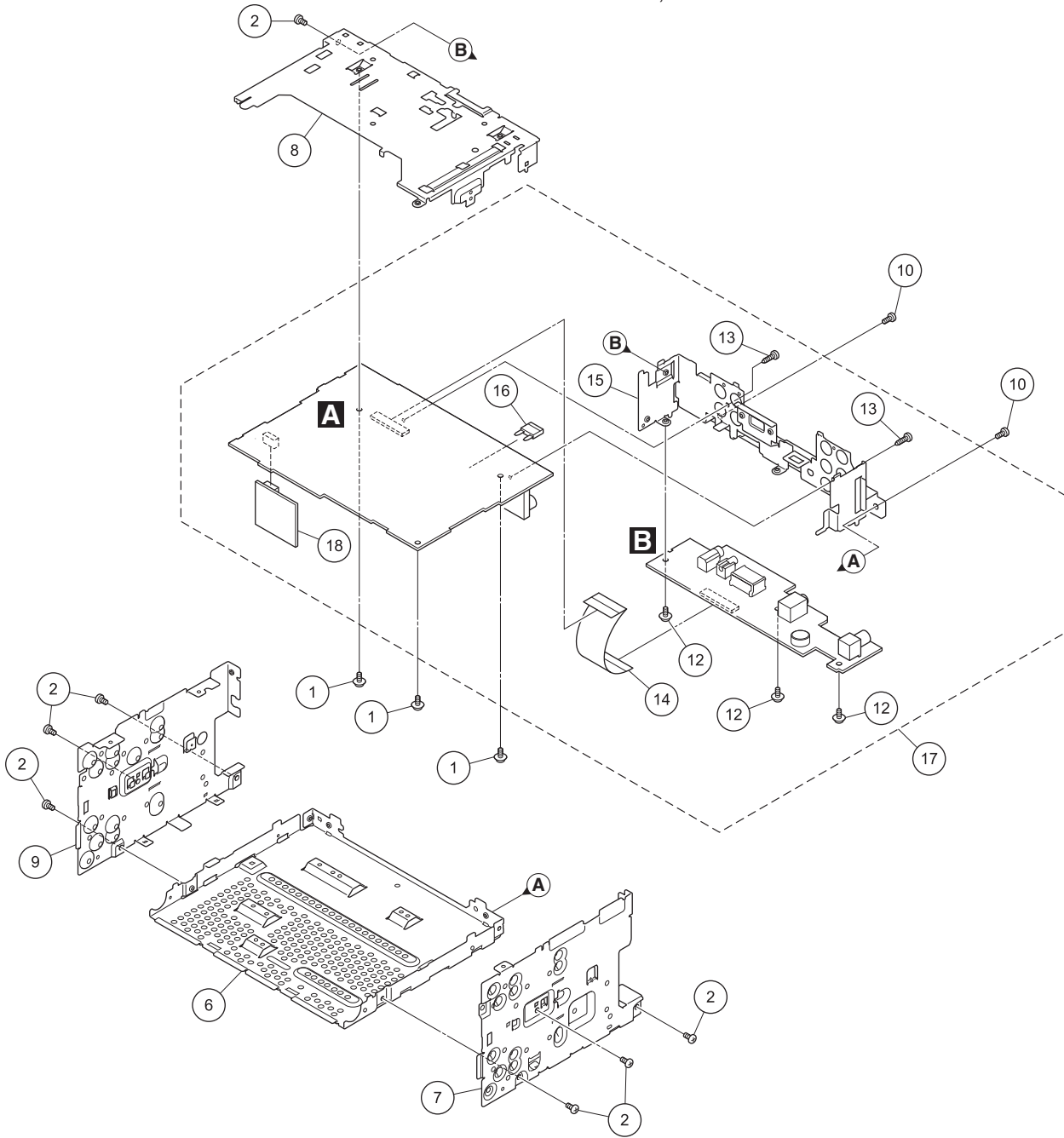
B

C

D

E

F



1

2

3

4

(1) EXTERIOR (2) SECTION PARTS LIST

| <u>Mark No.</u> | <u>Description</u> | <u>Part No.</u> | <u>Mark No.</u> | <u>Description</u> | <u>Part No.</u> |
|-----------------|--------------------------|------------------------|-----------------|---------------------------|------------------------|
| 1 | Screw | ASZ26P050FTC | | | |
| 2 | Screw | BSZ26P050FTC | 11 | | |
| 3 | Cord Assy | See Contrast table (2) | 12 | Screw | ASZ26P050FTC |
| 4 | Card Remote Control Unit | See Contrast table (2) | 13 | Screw | BPZ26P080FTC |
| 5 | Battery Cover | See Contrast table (2) | 14 | FFC | CDE9766 |
| | | | 15 | Holder | CND6531 |
| 6 | Chassis | CNA3210 | | | |
| 7 | Bracket | CND6336 | ⚠ | Fuse (10 A) | YEK5001 |
| 8 | Holder | CND6530 | 17 | Service Unit (Mother I/F) | See Contrast table (2) |
| 9 | Bracket | CND6635 | 18 | BT Module (U1671) | CWX4506 |
| 10 | Screw | BSZ26P060FTC | | | |

(2) CONTRAST TABLE

AVH-X2600BT/XNUC, AVH-X2600BT/XNEW5, AVH-X2600BT/XNUW5, AVH-X2650BT/XNRC, AVH-X2650BT/XNRD, AVH-X2650BT/XNRI and AVH-X2690BT/XNID are constructed the same except for the following:

| Mark | No. | Description | AVH-X2600BT/ XNUC | AVH-X2600BT/ XNEW5 | AVH-X2600BT/ XNUW5 | AVH-X2650BT/ XNRC |
|------|-----|---------------------------|----------------------|-----------------------|-----------------------|----------------------|
| | 3 | Cord Assy | CDP1668 | CDP1436 | CDP1436 | CDP1668 |
| | 4 | Card Remote Control Unit | CXE5116 | Not used | Not used | CXE5116 |
| | 5 | Battery Cover | CNU1624 | Not used | Not used | CNU1624 |
| | 17 | Service Unit (Mother I/F) | CXX6048 | CXX6044 | CXX6046 | CXX6049 |

| Mark | No. | Description | AVH-X2650BT/ XNRD | AVH-X2650BT/XNRI | AVH-X2690BT/XNID |
|------|-----|---------------------------|----------------------|------------------|------------------|
| | 3 | Cord Assy | CDP1668 | CDP1668 | CDP1668 |
| | 4 | Card Remote Control Unit | CXE5116 | CXE5116 | CXE5116 |
| | 5 | Battery Cover | CNU1624 | CNU1624 | CNU1624 |
| | 17 | Service Unit (Mother I/F) | CXX6050 | CXX6051 | CXX6052 |

9.4 DVD MECHANISM MODULE (1)

A

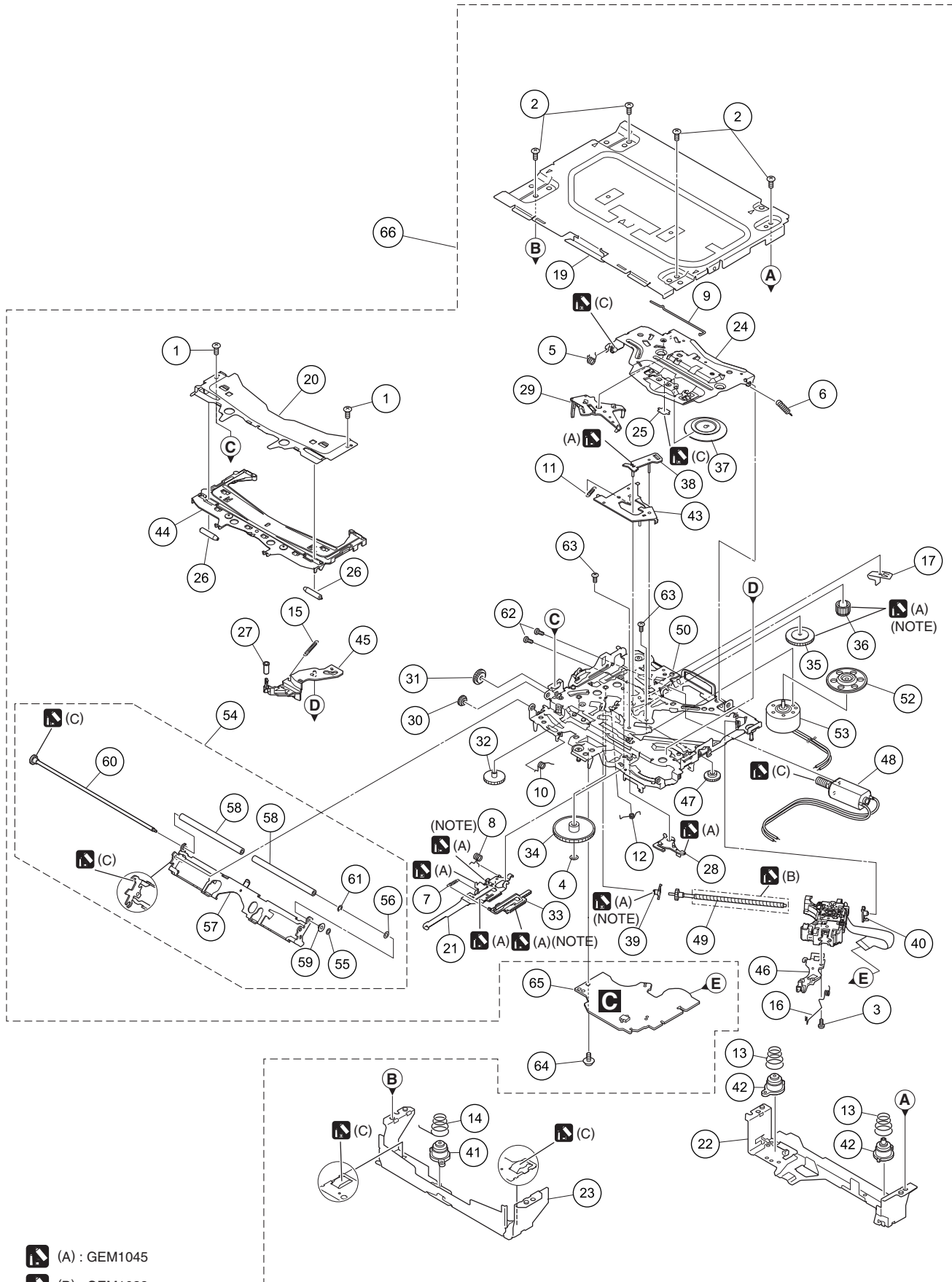
B

C

D

E

F



- (A) : GEM1045
- (B) : GEM1038
- (C) : GEM1024

(NOTE) Apply grease to the whole part.

12. ELECTRICAL PARTS LIST

NOTE:

- Parts whose parts numbers are omitted are subject to being not supplied.
- The part numbers shown below indicate chip components.

Chip Resistor

RS1/OS○○○○J,RS1/○○S○○○○J

Chip Capacitor (except for CQS.....)

CKS....., CCS....., CSZS.....

- The \triangle mark found on some component parts indicates the importance of the safety factor of the part. Therefore, when replacing, be sure to use parts of identical designation.
- Meaning of the figures and others in the parentheses in the parts list.

Example) IC 301 is on the point (face A, 91 of x-axis, and 111 of y-axis) of the corresponding PC board.

IC 301 (A, 91, 111) IC NJM2068V

- The expression of the unit in this manual is shown by μ instead of μ . Please do not make a mistake.

| <u>Circuit Symbol and No.</u> | <u>Part No.</u> |
|---|-----------------|
| A:AVH-X2600BT/XNUC | |
| B:AVH-X2600BT/XNEW5 | |
| C:AVH-X2600BT/XNUW5 | |
| D:AVH-X2650BT/XNRC | |
| E:AVH-X2650BT/XNRD | |
| F:AVH-X2650BT/XNRI | |
| G:AVH-X2690BT/XNID | |
| Unit Number : CXX6048(A) | |
| Unit Number : CXX6044(B) | |
| Unit Number : CXX6046(C) | |
| Unit Number : CXX6049(D) | |
| Unit Number : CXX6050(E) | |
| Unit Number : CXX6051(F) | |
| Unit Number : CXX6052(G) | |
| Unit Name : Service Unit(Mother I/F) | |
| Unit Number : YWX5032 | |
| Unit Name : DVD Core Unit | |
| Unit Number : CXX6055 | |
| Unit Name : Service Unit(Monitor) | |
| Unit Number : CXX6059 | |
| Unit Name : Service Unit(Keyboard) | |

Service Unit(Mother I/F)

Consists of

Mother PCB

Interface PCB

| <u>Circuit Symbol and No.</u> | <u>Part No.</u> |
|---|-----------------|
| AB | |
| Unit Number : CXX6048(A) | |
| Unit Number : CXX6044(B) | |
| Unit Number : CXX6046(C) | |
| Unit Number : CXX6049(D) | |
| Unit Number : CXX6050(E) | |
| Unit Number : CXX6051(F) | |
| Unit Number : CXX6052(G) | |
| Unit Name : Service Unit(Mother I/F) | |

MISCELLANEOUS

| | | |
|---------|--|-------------------|
| IC 101 | (B,132,74) IC | AK4223VQ |
| IC 251 | (B,119,96) IC | PML020A |
| IC 341 | (A,97,121) IC | PA2032A |
| IC 501 | (A,40,78) IC | TDA7706 |
| IC 601 | (A,56,55) IC(A) | PDB117A8 |
| | (A,56,55) IC(B,C,D,E,F,G) | PDB118A8 |
| IC 751 | (A,132,67) IC | BD11600NUX |
| IC 1001 | (B,89,68) IC | BH7673G |
| IC 1002 | (B,86,68) IC | BH7673G |
| IC 1003 | (B,80,68) IC | BH7673G |
| IC 1004 | (B,77,68) IC | BH7673G |
| IC 1051 | (B,82,41) LSI | ML86V7675TBZA3A |
| IC 1101 | (B,123,41) RAM IC | M12L128168A-5TG2N |
| IC 1151 | (B,104,49) IC | WM8761BGED |
| IC 1202 | (B,105,40) IC | 337S3959 |
| IC 1251 | (B,146,54) Flash ROM Unit(Service) (A,D) | CXX5989 |
| | (B,146,54)Flash ROM Unit(Service)(B,C,E,F,G) | CXX5991 |
| IC 1301 | (B,96,22) Serial Flash Memory | MX25L8006EM2I-12G |
| IC 1302 | (A,107,42) IC | R5S72690RW266FP |
| IC 1671 | (A,150,18) IC | WM8761BGED |
| IC 1721 | (A,126,100) IC | NJM4565V |
| IC 1731 | (A,123,112) IC | NJM4565V |
| IC 1732 | (A,129,108) IC | TC7W66FK |
| IC 1801 | (B,60,83) Regulator IC | NJW4181U3-33B |
| IC 1821 | (A,91,101) IC | NJM2387ADL3 |

| | 1 | 2 | 3 | 4 |
|---|---|-----------------|-----------------------------------|-----------------|
| | <u>Circuit Symbol and No.</u> | <u>Part No.</u> | <u>Circuit Symbol and No.</u> | <u>Part No.</u> |
| | IC 1901 (B,33,53) IC | NJM2886DL3-05 | D 1902 (B,38,42) Diode | CRG03 |
| | IC 1951 (B,158,68) IC | AN33012UA | D 1951 (A,161,63) Diode | RB056L-40 |
| A | IC 2011 (B,116,15) Regulator IC | BD00IA5WEFJ | D 1952 (A,153,59) Diode | RB056L-40 |
| | IC 2031 (B,78,24) Regulator IC | NJM2878F3-15 | D 1953 (A,140,110) Diode | RB080L-30 |
| | IC 2061 (B,163,11) Regulator IC | NJM2856DL3-18 | D 2101 (A,164,94) Diode | RB056L-40 |
| | IC 2101 (B,164,96) Regulator IC | BD9876EFJ | D 2161 (B,163,102) Diode | RB060M-30 |
| | IC 2161 (B,165,108) IC | AN33014UA | D 2162 (B,154,105) Diode | 1SR154-400 |
| | IC 3661 (A,94,44) EEPROM | BR24C21FJ | D 3641 (B,77,37) Diode | DZ2S180C |
| | Q 301 (B,93,101) Transistor | LSCR523UB | D 3642 (B,62,37) Diode | DZ2S180C |
| | Q 311 (B,90,104) Transistor | RN4987 | D 3643 (B,77,41) Diode | DZ2S180C |
| | Q 321 (B,88,106) Chip Transistor | RN1903 | D 3666 (A,100,36) Diode | DZ2S068C |
| | Q 601 (A,71,48) Transistor | LSCR523UB | D 3667 (A,100,38) Diode | DZ2S068C |
| | Q 751 (B,65,18) Chip Transistor | HN1C01FU | D 3668 (A,111,37) Diode | DZ2S068C |
| B | Q 752 (B,61,18) Chip Transistor | RN4982 | D 3669 (A,107,38) Diode | DZ2S068C |
| | Q 831 (B,65,77) Transistor | LTC014EEB | D 3670 (A,107,37) Diode | DZ2S068C |
| | Q 841 (B,67,73) Transistor | LTC014EEB | D 3671 (A,109,37) Diode | DZ2S068C |
| | Q 854 (A,53,98) Chip Transistor | HN1A01FU | D 3672 (B,104,33) Diode | DZ2S068C |
| | Q 871 (A,56,78) Chip Transistor | HN1C01FU | D 3673 (B,106,31) Diode | DZ2S068C |
| | Q 1001 (B,82,58) Transistor | LSCR523UB | L 501 (A,46,91) Chip Coil | LCTAWR15J2520 |
| | Q 1002 (B,85,58) Transistor | LSCR523UB | L 502 (A,43,90) Chip Coil | LCTAWR27J2520 |
| | Q 1003 (B,88,58) Transistor | LSCR523UB | L 503 (A,40,90) Inductor | CTF1786 |
| | Q 1004 (B,78,58) Transistor | LSCR523UB | L 504 (A,38,89) SMD Ferrite Beads | CTF1806 |
| | Q 1201 (B,110,32) Transistor | LSAR523UB | L 505 (A,34,95) Inductor | CTF1389 |
| | Q 1631 (A,36,113) Chip Transistor | HN1C01FU | L 506 (A,43,88) Inductor | CTF1794 |
| C | Q 1632 (A,43,113) Chip Transistor | HN1C01FU | L 507 (A,32,89) Inductor | LCYC220K1608 |
| | Q 1633 (A,30,113) Chip Transistor | HN1C01FU | L 508 (A,32,85) Inductor(A,E) | LCYB68NJ1005 |
| | Q 1661 (B,125,16) Chip Transistor | 2SD2114K | L 509 (A,29,79) Chip Coil | LCTAW470J2520 |
| | Q 1662 (B,128,14) Transistor | RN4984 | L 510 (A,31,75) Inductor | CTF1786 |
| | Q 1663 (B,129,19) Transistor | RN4984 | L 511 (A,35,70) Inductor | CTF1786 |
| | Q 1701 (A,135,105) Transistor | UMF23N | L 512 (A,50,83) Inductor | CTF1786 |
| | Q 1712 (B,46,54) Chip Transistor(D,E,F,G) | HN1B04FU | L 513 (A,51,83) Inductor | CTF1786 |
| | Q 1721 (A,136,97) Transistor | LSCR523UB | L 514 (A,44,68) Inductor | CTF1786 |
| | Q 1731 (A,120,105) Chip Transistor | RN4982 | L 517 (A,50,71) Inductor | CTF1786 |
| | Q 1951 (A,163,70) Power MOS FET | RSD140P06 | L 519 (A,33,93) Inductor | LCYB10NJ1608 |
| | Q 1952 (A,153,67) Power MOS FET | RSD140P06 | L 801 (A,63,92) Choke Coil 600 uH | CTH1221 |
| D | D 301 (B,84,105) Diode | DA2J101 | L 1001 (B,87,62) Inductor | CTF1545 |
| | D 302 (B,90,99) Diode | DZ2J082M0 | L 1002 (B,80,62) Inductor | CTF1545 |
| | D 312 (B,90,101) Diode | DA2J101 | L 1003 (B,76,62) Inductor | CTF1545 |
| | D 501 (A,46,95) Diode | RN731VN | L 1004 (B,83,62) Inductor | CTF1545 |
| | D 502 (A,46,88) Diode | RN731VN | L 1005 (B,96,68) Chip Coil | LCTAW100J2520 |
| | D 601 (B,61,49) Diode | RB501VM-40 | L 1051 (B,77,34) Inductor | CTF1740 |
| | D 602 (B,63,49) Diode | DB2J31400 | L 1101 (B,135,43) Inductor | CTF1786 |
| | D 801 (B,64,122) Diode | 1SR154-400 | L 1107 (B,119,50) Inductor | CTF1645 |
| | D 802 (B,60,122) Diode | 1SR154-400 | L 1151 (B,106,55) Inductor | CTF1786 |
| | D 821 (A,48,101) Diode | DAN202UM | L 1251 (B,138,55) Inductor | CTF1786 |
| | D 831 (B,63,76) Diode | DZ2J056M0 | L 1301 (B,109,44) Inductor | CTF1786 |
| E | D 841 (B,70,76) Diode | DA2J101 | L 1302 (B,110,57) Inductor | CTF1545 |
| | D 853 (A,51,102) Diode | DAN202UM | L 1303 (B,108,21) Chip Beads | VTL1129 |
| | D 871 (B,63,103) Diode | UDZV6R2(B) | L 1304 (B,138,43) Chip Beads | VTL1129 |
| | D 873 (B,67,101) Diode | UDZV7R5(B) | L 1305 (A,127,37) Chip Beads | VTL1126 |
| | D 1601 (A,153,108) Diode | PESD0402-140 | L 1306 (A,86,34) Chip Beads | VTL1127 |
| | D 1602 (A,150,108) Diode | PESD0402-140 | L 1311 (A,124,29) Chip Beads | VTL1127 |
| | D 1622 (B,123,112) Diode | DZ2S180C | L 1312 (A,126,32) Chip Beads | VTL1127 |
| | D 1623 (B,134,111) Diode | DZ2S180C | L 1313 (A,124,35) Chip Beads | VTL1127 |
| | D 1624 (B,140,110) Diode | DZ2S180C | L 1315 (A,125,41) Chip Beads | VTL1127 |
| | D 1661 (B,125,12) Diode | DZ2J039M0 | L 1316 (A,124,43) Chip Beads | VTL1127 |
| F | D 1721 (A,137,101) Diode | DZ2J051M0 | L 1317 (A,125,42) Chip Beads | VTL1127 |
| | D 1781 (B,56,35) Diode | DZ2S180C | L 1318 (A,125,46) Chip Beads | VTL1127 |
| | D 1782 (B,58,33) Diode | DZ2S180C | L 1319 (A,125,49) Chip Beads | VTL1127 |
| | D 1801 (B,66,83) Diode | 1SR154-400 | L 1322 (A,125,54) Chip Beads | VTL1127 |
| | | | L 1323 (A,125,58) Chip Beads | VTL1127 |

5
Circuit Symbol and No.

6
Part No.

7
Circuit Symbol and No.

8
Part No.

| | | | |
|---------|-------------|--------------------------------|------------------|
| L 1377 | (A,86,30) | Chip Beads | VTL1126 |
| L 1381 | (A,87,54) | Chip Beads | VTL1126 |
| L 1383 | (A,83,54) | Chip Beads | VTL1126 |
| L 1384 | (A,85,52) | Chip Beads | VTL1126 |
| L 1387 | (A,87,46) | Chip Beads | VTL1126 |
| L 1390 | (A,83,46) | Chip Beads | VTL1126 |
| L 1391 | (A,87,45) | Chip Beads | VTL1126 |
| L 1393 | (A,83,44) | Chip Beads | VTL1126 |
| L 1394 | (A,87,44) | Chip Beads | VTL1126 |
| L 1397 | (A,83,43) | Chip Beads | VTL1126 |
| L 1399 | (A,87,43) | Chip Beads | VTL1126 |
| L 1401 | (A,87,42) | Chip Beads | VTL1126 |
| L 1403 | (A,84,41) | Chip Beads | VTL1126 |
| L 1405 | (A,87,40) | Chip Beads | VTL1126 |
| L 1407 | (A,84,39) | Chip Beads | VTL1126 |
| L 1409 | (A,87,38) | Chip Beads | VTL1126 |
| L 1411 | (A,87,37) | Chip Beads | VTL1126 |
| L 1413 | (A,87,36) | Chip Beads | VTL1126 |
| L 1415 | (A,86,35) | Chip Beads | VTL1126 |
| L 1601 | (A,151,106) | Inductor | CTF1713 |
| L 1671 | (A,160,22) | Inductor | CTF1786 |
| L 1672 | (A,143,16) | Inductor | CTF1786 |
| L 1951 | (A,164,55) | Choke Coil 10 uH | CTH1446 |
| L 1952 | (A,151,54) | Inductor | CTH1519 |
| L 1953 | (A,144,102) | Choke Coil 10 uH | CTH1486 |
| L 2101 | (A,158,94) | Inductor | CTH1524 |
| L 2161 | (A,164,102) | Inductor | CTH1524 |
| L 2162 | (B,167,102) | Inductor | CTF1793 |
| X 501 | (A,52,75) | Resonator 36.48 MHz | CSS1805 |
| X 601 | (A,71,56) | Crystal Resonator 12.500 MHz | CSS1839 |
| X 1051 | (B,71,34) | Crystal Resonator 32.000 MHz | CSS1818 |
| X 1301 | (A,102,65) | Resonator 48.000 MHz | CSS1760 |
| X 1302 | (A,113,65) | Crystal Resonator 13.333 3 MHz | CSS1840 |
| X 1303 | (A,86,50) | Resonator 16.93 MHz | CSS1794 |
| P 451 | (A,21,96) | Surge Absorber | IMSA-6803-01Y900 |
| P 1623 | (B,130,108) | Poly Switch | FSMD075-24R |
| P 1631 | (B,28,109) | Poly Switch | FSMD075-24R |
| P 1701 | (A,121,77) | Poly Switch | FSMD075-24R |
| △ P1951 | (A,45,37) | Fuse 1 A | CEK1381 |
| △ P2071 | (A,145,38) | Fuse 1.25 A | CEK1382 |
| △ P2081 | (A,23,20) | Fuse 0.75 A | CEK1380 |
| △ P2151 | (A,46,25) | Fuse 2.5 A | CEK1385 |
| △ P2152 | (A,49,27) | Fuse 1.5 A | CEK1383 |
| BZ3631 | (A,45,44) | Buzzer | CPV1062 |
| U 1671 | (A,161,31) | BT Module | CWX4506 |
| CN751 | (A,63,13) | Connector | CKS6025 |
| CN1671 | (A,161,31) | Connector | CKS6346 |
| CN1701 | (A,119,85) | Connector | CKS6535 |
| CN1751 | (A,67,27) | Connector | CKS6536 |
| CN3601 | (B,119,49) | Connector | CKS6605 |
| CN3661 | (A,111,25) | Connector | CKS4497 |
| JA451 | (A,14,111) | Antenna Jack | YKS5041 |
| JA801 | (A,62,118) | Plug | CKM1376 |
| JA1601 | (A,151,121) | USB Jack | CKN1091 |
| JA1621 | (A,129,121) | RCA Jack | CKB1110 |
| JA1631 | (A,35,120) | Pin Jack | XKB7001 |
| JA3621 | (A,13,33) | RCA Jack | CKB1106 |
| JA3641 | (A,69,19) | Jack | CKN1106 |
| JA3691 | (A,131,26) | Jack | CKN1040 |
| JA3731 | (A,145,28) | Jack | CKS6437 |

RESISTORS

| | | |
|-------|-------------------------|---------------|
| R 101 | (B,122,71) | RAB4CQ101J |
| R 102 | (B,122,74) | RAB4CQ101J |
| R 104 | (B,125,78) | RS1/16SS75R0D |
| R 105 | (B,125,81) | RS1/16SS75R0F |
| R 108 | (B,141,66) | RS1/10SR560J |
| R 109 | (B,143,74) | RAB4CQ101J |
| R 110 | (B,143,79) | RAB4CQ101J |
| R 112 | (B,129,63) | RS1/16SS101J |
| R 113 | (B,132,64) | RS1/16SS101J |
| R 114 | (B,134,64) | RS1/16SS101J |
| R 115 | (B,136,63) | RS1/16SS101J |
| R 116 | (B,131,64) | RS1/16SS101J |
| R 117 | (B,135,64) | RS1/16SS101J |
| R 119 | (B,144,67) | RS1/10SR560J |
| R 120 | (B,143,69) | RS1/10SR560J |
| R 121 | (B,144,71) | RS1/10SR560J |
| R 122 | (B,125,80) | RS1/16SS470J |
| R 201 | (B,133,101) | RS1/16SS0R0J |
| R 202 | (B,129,102) | RS1/16SS182J |
| R 251 | (B,126,105) | RS1/16SS162J |
| R 255 | (B,124,88) | RS1/16SS473J |
| R 258 | (A,100,108) | RS1/8SQ0R0J |
| R 259 | (A,96,108) | RS1/8SQ0R0J |
| R 260 | (A,104,107) | RS1/8SQ0R0J |
| R 261 | (A,92,108) | RS1/8SQ0R0J |
| R 265 | (B,102,95) | RS1/16SS0R0J |
| R 302 | (B,87,104) | RS1/16SS103J |
| R 303 | (B,95,99) | RS1/16SS104J |
| R 304 | (B,96,99) | RS1/16SS473J |
| R 306 | (A,66,43) | RS1/16SS103J |
| R 312 | (B,85,100) | RS1/16SS102J |
| R 321 | (B,85,106) | RS1/16SS683J |
| R 322 | (B,83,106) | RS1/16SS152J |
| R 323 | (B,85,103) | RS1/16SS683J |
| R 324 | (B,88,109) | RS1/16SS101J |
| R 332 | (A,83,111) | RS1/16SS473J |
| R 333 | (A,83,110) | RS1/16SS102J |
| R 454 | (B,49,84) (B,C,D,E,F,G) | RS1/8SQ0R0J |
| R 457 | (B,22,96) | RS1/10SR0R0J |
| R 519 | (A,47,86) | RS1/16SS221J |
| R 520 | (A,31,94) | RS1/16SS105J |
| R 521 | (A,47,87) | RS1/16SS751J |
| R 522 | (A,32,87) | RS1/16SS152J |
| R 523 | (A,33,85) | RS1/16SS105J |
| R 524 | (A,31,85) (B,C,D,F,G) | RS1/16SS0R0J |
| R 525 | (A,29,82) | RS1/16SS471J |
| R 526 | (A,31,81) | RS1/16SS330J |
| R 527 | (A,31,79) | RS1/16SS681J |
| R 528 | (A,28,71) | RS1/4SA5R6J |
| R 529 | (A,26,72) | RS1/4SA5R6J |
| R 530 | (A,26,75) | RS1/4SA5R6J |
| R 539 | (A,33,73) | RS1/16SS102J |
| R 601 | (B,51,41) (B,C,D,E) | RS1/16SS104J |
| R 602 | (B,49,41) (F,G) | RS1/16SS104J |
| R 603 | (B,51,40) (B,C,F,G) | RS1/16SS104J |
| R 604 | (B,49,40) (D,E) | RS1/16SS104J |
| R 605 | (B,51,39) (B,D,F) | RS1/16SS104J |

1

Circuit Symbol and No.

2

Part No.

3

Circuit Symbol and No.

4

Part No.

| | | | | | | |
|---|-------|--|-------------------------------|--------|------------|--------------|
| | R 606 | (B,49,39) (C,E,G) | RS1/16SS104J | R 687 | (B,50,53) | RS1/16SS104J |
| | R 608 | (B,49,37) | RS1/16SS104J | R 688 | (A,44,56) | RS1/16SS473J |
| A | R 610 | (B,49,36) | RS1/16SS104J | R 689 | (A,43,61) | RS1/16SS473J |
| | R 611 | (B,51,45) | RS1/16SS103J | R 690 | (B,46,62) | RS1/16SS272J |
| | R 612 | (B,55,50) | RS1/16SS221J | R 691 | (B,46,60) | RS1/16SS102J |
| | R 613 | (B,61,40) | RS1/16SS472J | R 692 | (B,53,46) | RS1/16SS104J |
| | R 614 | (B,63,40) | RS1/16SS471J | R 698 | (B,42,44) | RS1/16SS473J |
| | R 615 | (B,64,40) | RS1/16SS472J | R 699 | (A,45,44) | RS1/16SS104J |
| | R 616 | (B,62,40) | RS1/16SS471J | R 700 | (B,54,50) | RS1/16SS221J |
| | R 617 | (B,55,45) | RS1/16SS104J | R 701 | (A,68,61) | RS1/16SS473J |
| | R 618 | (B,55,44) | RS1/16SS104J | R 705 | (B,48,62) | RS1/16SS822J |
| | R 619 | (A,59,66) | RS1/16SS102J | R 707 | (B,50,50) | RS1/16SS104J |
| | R 620 | (B,50,45) | RS1/16SS103J | R 750 | (A,134,71) | RS1/10SR0R0J |
| B | R 621 | (B,66,61) | RS1/16SS473J | R 751 | (B,59,23) | RAB4CQ221J |
| | R 622 | (A,55,42) | RS1/16SS101J | R 752 | (B,58,18) | RS1/16SS471J |
| | R 623 | (B,61,44) (A,B,C) (B,61,44) (D,E,F,G) | RS1/16SS104J RS1/16SS103J | R 753 | (B,58,19) | RS1/16SS102J |
| | R 624 | (B,61,45) (A,B,C) (B,61,45) (D,E,F,G) | RS1/16SS103J RS1/16SS1002D | R 754 | (B,68,18) | RS1/16SS0R0J |
| | R 626 | (B,58,45) | RS1/16SS0R0J | R 757 | (B,64,16) | RS1/16SS472J |
| | R 627 | (B,62,45) | RS1/16SS473J | R 758 | (B,66,16) | RS1/16SS472J |
| | R 629 | (A,69,56) | RS1/16SS0R0J | R 759 | (B,61,16) | RS1/16SS102J |
| | R 630 | (A,69,45) | RS1/16SS473J | R 821 | (A,45,101) | RS1/16SS153J |
| | R 631 | (A,70,46) | RS1/16SS104J | R 832 | (B,65,75) | RS1/16SS104J |
| C | R 632 | (A,70,50) | RS1/16SS473J | R 833 | (B,59,75) | RS1/16SS103J |
| | R 633 | (A,68,50) | RS1/16SS102J | R 834 | (B,55,103) | RS1/4SA102J |
| | R 634 | (B,64,45) | RS1/16SS473J | R 841 | (B,69,75) | RS1/16SS103J |
| | R 636 | (A,68,52) | RS1/16SS472J | R 842 | (B,72,79) | RS1/4SA102J |
| | R 637 | (A,68,53) | RS1/16SS472J | R 861 | (A,44,63) | RS1/16SS473J |
| | R 638 | (A,63,69) | RS1/16SS102J | R 863 | (A,50,98) | RS1/16SS223J |
| | R 642 | (B,65,52) | RS1/16SS473J | R 864 | (A,55,97) | RS1/16SS473J |
| | R 644 | (A,70,53) | RS1/16SS102J | R 865 | (A,49,98) | RS1/16SS473J |
| | R 645 | (B,66,60) | RS1/16SS102J | R 866 | (A,51,105) | RS1/16SS103J |
| | R 646 | (A,68,62) | RS1/16SS121J | R 867 | (A,43,63) | RS1/16SS102J |
| | R 647 | (A,68,64) | RS1/16SS104J | R 868 | (B,43,66) | RS1/16SS102J |
| D | R 648 | (A,68,63) | RS1/16SS121J | R 873 | (B,66,103) | RS1/16SS103J |
| | R 652 | (A,73,48) | RS1/16SS473J | R 874 | (B,65,103) | RS1/16SS473J |
| | R 653 | (A,68,48) | RS1/16SS471J | R 875 | (B,60,103) | RS1/16SS392J |
| | R 654 | (A,68,49) | RS1/16SS471J | R 878 | (B,62,101) | RS1/16SS104J |
| | R 655 | (A,71,51) | RS1/16SS472J | R 879 | (B,64,101) | RS1/16SS473J |
| | R 658 | (B,68,59) | RS1/16SS104J | R 880 | (B,55,100) | RS1/4SA102J |
| | R 659 | (A,67,66) | RS1/16SS0R0J | R 1009 | (B,78,64) | RS1/16SS101J |
| | R 660 | (A,67,67) | RS1/16SS0R0J | R 1010 | (B,81,64) | RS1/16SS101J |
| | R 661 | (A,67,68) | RS1/16SS0R0J | R 1011 | (B,90,63) | RS1/16SS101J |
| | R 662 | (A,67,69) | RS1/16SS0R0J | R 1012 | (B,86,64) | RS1/16SS101J |
| E | R 663 | (A,61,69) | RS1/16SS473J | R 1013 | (B,83,69) | RS1/10SR101J |
| | R 664 | (A,59,69) | RS1/16SS103J | R 1051 | (B,71,49) | RS1/16SS750J |
| | R 665 | (B,54,67) | RS1/16SS0R0J | R 1052 | (B,69,40) | RS1/10SR0R0J |
| | R 666 | (A,59,72) | RS1/16SS104J | R 1053 | (A,76,40) | RS1/16SS472J |
| | R 667 | (A,58,69) | RS1/16SS103J | R 1054 | (B,92,40) | RS1/16SS473J |
| | R 668 | (B,56,67) | RS1/16SS102J | R 1055 | (B,71,39) | RS1/16SS101J |
| | R 673 | (A,56,73) | RS1/16SS473J | R 1056 | (B,71,38) | RS1/16SS101J |
| | R 677 | (A,51,68) | RS1/16SS473J | R 1057 | (B,92,39) | RS1/16SS561J |
| | R 678 | (A,51,67) | RS1/16SS473J | R 1058 | (B,74,36) | RS1/16SS105J |
| | R 681 | (A,44,44) | RS1/16SS221J | R 1059 | (B,72,37) | RS1/16SS471J |
| F | R 682 | (B,43,44) | RS1/16SS221J | R 1060 | (B,82,30) | RS1/16SS391J |
| | R 683 | (A,43,44) | RS1/16SS221J | R 1061 | (B,83,30) | RS1/16SS391J |
| | R 684 | (B,47,44) | RS1/16SS221J | R 1062 | (B,83,32) | RS1/16SS391J |
| | R 685 | (B,45,44) | RS1/16SS221J | R 1063 | (B,84,30) | RS1/16SS391J |
| | R 686 | (B,44,44) | RS1/16SS221J | R 1064 | (B,85,30) | RS1/16SS391J |
| | | | | R 1065 | (B,86,31) | RS1/16SS391J |
| | | | | R 1066 | (B,88,31) | RS1/16SS391J |

1

2

3

4

| 5 | | 6 | | 7 | | 8 | |
|-------------------------------|------------|-----------------|--|-------------------------------|------------|-----------------|---|
| <u>Circuit Symbol and No.</u> | | <u>Part No.</u> | | <u>Circuit Symbol and No.</u> | | <u>Part No.</u> | |
| R 1067 | (B,86,32) | RS1/16SS391J | | R 1322 | (A,128,51) | RS1/16SS473J | |
| R 1068 | (B,88,32) | RS1/16SS221J | | R 1323 | (A,118,61) | RS1/16SS101J | |
| R 1069 | (B,87,34) | RS1/16SS221J | | R 1324 | (A,123,57) | RS1/16SS104J | |
| R 1070 | (B,89,34) | RS1/16SS561J | | R 1325 | (A,100,59) | RS1/16SS2402F | A |
| R 1071 | (B,74,33) | RS1/16SS473J | | R 1326 | (A,103,61) | RS1/16SS681J | |
| R 1072 | (B,81,30) | RS1/16SS101J | | R 1327 | (B,105,60) | RS1/16SS5601F | |
| R 1073 | (B,77,33) | RS1/16SS101J | | R 1328 | (A,112,62) | RS1/16SS222J | |
| R 1074 | (B,69,39) | RS1/16SS222J | | R 1329 | (B,113,57) | RS1/16SS473J | |
| R 1075 | (B,69,37) | RS1/16SS222J | | R 1330 | (B,114,57) | RS1/16SS473J | |
| R 1076 | (B,72,26) | RS1/10SR0R0J | | R 1331 | (A,106,64) | RS1/16SS103J | |
| R 1077 | (B,70,26) | RS1/10SR0R0J | | R 1332 | (A,106,65) | RS1/16SS101J | |
| R 1080 | (B,73,49) | RS1/16SS0R0J | | R 1333 | (B,118,58) | RS1/16SS473J | |
| R 1081 | (B,87,54) | RS1/16SS750J | | R 1334 | (A,114,62) | RS1/16SS473J | |
| R 1082 | (B,84,54) | RS1/16SS750J | | R 1335 | (B,99,28) | RS1/16SS0R0J | B |
| R 1083 | (B,69,26) | RS1/10SR0R0J | | R 1337 | (A,96,23) | RS1/16SS101J | |
| R 1084 | (B,81,54) | RS1/16SS750J | | R 1338 | (A,109,64) | RS1/16SS104J | |
| R 1085 | (B,78,55) | RS1/16SS750J | | R 1339 | (A,98,65) | RS1/16SS273J | |
| R 1101 | (B,128,29) | RAB4CQ221J | | R 1340 | (A,93,66) | RS1/16SS104J | |
| R 1102 | (B,125,29) | RAB4CQ221J | | R 1341 | (A,126,46) | RS1/16SS104J | |
| R 1103 | (B,120,33) | RAB4CQ471J | | R 1342 | (A,89,30) | RS1/16SS104J | |
| R 1104 | (B,116,33) | RAB4CQ471J | | R 1344 | (B,119,53) | RS1/16SS150J | |
| R 1105 | (B,113,33) | RAB4CQ471J | | R 1345 | (B,103,29) | RS1/16SS473J | |
| R 1106 | (B,122,50) | RS1/16SS471J | | R 1347 | (A,129,46) | RS1/16SS0R0J | |
| R 1108 | (B,130,52) | RAB4CQ221J | | R 1348 | (A,94,25) | RS1/16SS101J | |
| R 1109 | (B,126,52) | RAB4CQ221J | | R 1349 | (B,95,16) | RS1/16SS0R0J | C |
| R 1110 | (B,115,51) | RAB4CQ471J | | R 1350 | (A,90,50) | RS1/16SS152J | |
| R 1111 | (B,112,51) | RAB4CQ471J | | R 1351 | (A,92,60) | RS1/16SS102J | |
| R 1112 | (B,118,51) | RS1/16SS471J | | R 1352 | (A,90,66) | RAB4CQ473J | |
| R 1151 | (B,98,52) | RS1/16SS821J | | R 1353 | (B,118,54) | RS1/16SS0R0J | |
| R 1152 | (B,109,52) | RS1/16SS821J | | R 1355 | (B,115,55) | RS1/16SS0R0J | |
| R 1201 | (B,107,41) | RS1/16SS222J | | R 1356 | (A,129,47) | RS1/16SS0R0J | |
| R 1202 | (B,109,37) | RS1/16SS183J | | R 1359 | (A,128,49) | RS1/16SS0R0J | |
| R 1203 | (B,104,42) | RS1/16SS222J | | R 1360 | (B,122,56) | RS1/16SS0R0J | |
| R 1205 | (B,108,41) | RS1/16SS101J | | R 1365 | (A,91,24) | RS1/16SS331J | |
| R 1206 | (B,104,43) | RS1/16SS101J | | R 1376 | (A,91,27) | RS1/16SS0R0J | |
| R 1209 | (B,109,41) | RS1/16SS221J | | R 1378 | (A,88,28) | RS1/16SS0R0J | D |
| R 1251 | (A,126,50) | RS1/16SS220J | | R 1379 | (A,87,32) | RS1/16SS0R0J | |
| R 1252 | (A,130,52) | RS1/16SS470J | | R 1380 | (A,89,54) | RS1/16SS101J | |
| R 1253 | (B,76,30) | RS1/16SS0R0J | | R 1381 | (A,88,26) | RS1/16SS0R0J | |
| R 1256 | (B,75,30) | RS1/16SS0R0J | | R 1382 | (A,85,53) | RS1/16SS101J | |
| R 1257 | (A,128,52) | RS1/16SS470J | | R 1383 | (A,117,61) | RS1/16SS101J | |
| R 1258 | (A,130,49) | RS1/16SS470J | | R 1384 | (A,120,61) | RS1/16SS102J | |
| R 1259 | (A,129,56) | RS1/16SS470J | | R 1385 | (A,89,53) | RS1/16SS101J | |
| R 1260 | (B,139,57) | RS1/16SS470J | | R 1386 | (A,88,46) | RS1/16SS101J | |
| R 1302 | (A,97,22) | RS1/16SS273J | | R 1387 | (B,113,55) | RS1/16SS472J | |
| R 1303 | (B,107,44) | RS1/16SS0R0J | | R 1388 | (A,84,46) | RS1/16SS101J | |
| R 1305 | (A,106,21) | RS1/16SS121J | | R 1389 | (A,88,45) | RS1/16SS101J | E |
| R 1306 | (A,106,19) | RS1/16SS104J | | R 1391 | (A,111,62) | RS1/16SS102J | |
| R 1307 | (B,123,27) | RS1/16SS473J | | R 1392 | (A,84,44) | RS1/16SS101J | |
| R 1310 | (B,102,32) | RS1/16SS101J | | R 1393 | (A,88,30) | RS1/16SS101J | |
| R 1311 | (B,120,28) | RS1/16SS472J | | R 1395 | (A,88,44) | RS1/16SS101J | |
| R 1312 | (B,121,29) | RS1/16SS472J | | R 1396 | (A,85,43) | RS1/16SS101J | |
| R 1313 | (B,118,28) | RS1/16SS472J | | R 1398 | (A,89,43) | RS1/16SS101J | |
| R 1314 | (A,124,31) | RS1/16SS472J | | R 1400 | (A,89,42) | RS1/16SS101J | |
| R 1315 | (B,119,28) | RS1/16SS472J | | R 1402 | (A,86,41) | RS1/16SS101J | |
| R 1316 | (B,117,28) | RS1/16SS472J | | R 1404 | (A,89,40) | RS1/16SS101J | |
| R 1318 | (B,110,51) | RS1/16SS104J | | R 1406 | (A,86,40) | RS1/16SS101J | F |
| R 1319 | (A,128,43) | RS1/16SS104J | | R 1408 | (A,89,38) | RS1/16SS101J | |
| R 1320 | (A,126,52) | RS1/16SS104J | | R 1410 | (A,89,37) | RS1/16SS101J | |
| R 1321 | (A,126,56) | RS1/16SS104J | | R 1412 | (A,89,36) | RS1/16SS101J | |

| | 1 | 2 | 3 | 4 |
|---|-------------------------------|-----------------|-------------------------------|-----------------|
| | <u>Circuit Symbol and No.</u> | <u>Part No.</u> | <u>Circuit Symbol and No.</u> | <u>Part No.</u> |
| | R 1414 (A,87,35) | RS1/16SS101J | (B,63,52) (D,E,F,G) | RS1/16SS1001D |
| | R 1416 (A,87,34) | RS1/16SS0R0J | R 1715 (B,46,56) (D,E,F,G) | RS1/16SS102J |
| | R 1418 (A,126,39) | RS1/16SS101J | R 1716 (B,47,57) (D,E,F,G) | RS1/16SS102J |
| A | R 1419 (A,97,25) | RS1/16SS0R0J | R 1717 (B,48,51) (D,E,F,G) | RS1/16SS473J |
| | R 1423 (A,113,23) | RS1/16SS222J | R 1718 (B,48,50) (D,E,F,G) | RS1/16SS473J |
| | R 1424 (A,123,59) | RS1/16SS0R0J | R 1721 (A,122,98) | RS1/16SS153J |
| | R 1425 (A,89,24) | RS1/16SS0R0J | R 1722 (A,121,99) | RS1/16SS153J |
| | R 1426 (A,91,26) | RS1/16SS0R0J | R 1723 (A,121,101) | RS1/16SS153J |
| | | | R 1724 (A,131,98) | RS1/16SS153J |
| | R 1427 (A,85,32) | RS1/16SS0R0J | R 1725 (A,132,98) | RS1/16SS153J |
| | R 1428 (A,130,46) | RS1/16SS0R0J | R 1726 (A,132,100) | RS1/16SS153J |
| | R 1429 (A,130,47) | RS1/16SS0R0J | R 1727 (A,123,97) | RS1/16SS153J |
| | R 1431 (A,100,61) | RS1/16SS104J | R 1729 (A,135,94) | RS1/16SS102J |
| | R 1432 (A,98,61) | RS1/16SS104J | R 1730 (A,134,98) | RS1/16SS472J |
| B | R 1433 (A,98,64) | RS1/16SS104J | R 1731 (A,130,97) | RS1/16SS153J |
| | R 1434 (A,96,64) | RS1/16SS104J | R 1732 (A,128,112) | RS1/16SS153J |
| | R 1435 (A,91,63) | RS1/16SS104J | R 1733 (A,124,107) | RS1/16SS273J |
| | R 1436 (B,92,54) | RS1/16SS104J | R 1734 (A,125,107) | RS1/16SS273J |
| | R 1621 (B,140,108) | RS1/16SS750J | R 1735 (A,119,114) | RS1/16SS153J |
| | R 1622 (B,134,106) | RS1/16SS223J | R 1736 (A,128,113) | RS1/16SS473J |
| | R 1623 (B,123,110) | RS1/16SS223J | R 1737 (A,118,110) | RS1/16SS153J |
| | R 1631 (B,45,110) | RS1/16SS821J | R 1738 (A,118,114) | RS1/16SS153J |
| | R 1632 (A,45,113) | RS1/16SS223J | R 1739 (A,118,112) | RS1/16SS153J |
| | R 1633 (A,37,109) | RS1/16SS472J | R 1740 (A,121,108) | RS1/16SS153J |
| | R 1634 (A,34,113) | RS1/16SS223J | R 1742 (A,130,110) | RS1/16SS273J |
| C | R 1635 (A,36,109) | RS1/16SS472J | R 1743 (A,130,112) | RS1/16SS273J |
| | R 1636 (B,39,110) | RS1/16SS821J | R 1744 (A,123,105) | RS1/16SS103J |
| | R 1637 (B,43,110) | RS1/16SS821J | R 1763 (A,100,72) | RS1/16SS103J |
| | R 1638 (A,40,113) | RS1/16SS223J | R 1764 (A,109,80) | RS1/16SS0R0J |
| | R 1639 (A,42,109) | RS1/16SS472J | R 1782 (B,78,26) | RS1/16SS0R0J |
| | R 1640 (A,43,109) | RS1/16SS472J | R 1822 (A,88,96) | RS1/16SS823J |
| | R 1641 (A,32,113) | RS1/16SS223J | R 1823 (A,90,96) | RS1/16SS103J |
| | R 1642 (B,37,110) | RS1/16SS821J | R 1824 (A,86,97) | RS1/16SS153J |
| | R 1643 (B,41,110) | RS1/16SS821J | R 1902 (A,93,76) | RS1/16SS0R0J |
| | R 1644 (A,38,113) | RS1/16SS223J | R 1952 (B,149,66) | RS1/16SS561J |
| | R 1645 (A,30,111) | RS1/16SS472J | R 1953 (B,150,67) | RS1/16SS3302D |
| D | R 1646 (A,29,111) | RS1/16SS472J | R 1954 (B,150,65) | RS1/16SS4301D |
| | R 1647 (A,27,113) | RS1/16SS223J | R 1955 (B,150,64) | RS1/16SS3601D |
| | R 1648 (B,35,110) | RS1/16SS821J | R 1956 (B,150,68) | RS1/16SS123J |
| | R 1662 (B,128,17) | RS1/16SS103J | R 1957 (B,160,63) | RS1/16SS103J |
| | R 1663 (B,126,10) | RS1/16SS122J | R 1959 (B,160,75) 0.011 ohm | CCN1341 |
| | R 1664 (B,130,13) | RS1/16SS152J | R 1960 (B,163,64) | RS1/16SS204J |
| | R 1674 (B,155,37) | RS1/16SS101J | R 1961 (B,163,63) | RS1/16SS394J |
| | R 1677 (A,151,34) | RS1/16SS101J | R 1962 (B,154,75) 0.012 ohm | CCN1321 |
| | R 1678 (A,166,24) | RS1/16SS102J | R 1963 (B,158,63) | RS1/16SS224J |
| | R 1679 (A,165,24) | RS1/16SS102J | R 1964 (B,165,67) | RS1/16SS472J |
| E | R 1680 (B,165,25) | RS1/16SS102J | R 1965 (B,165,64) | RS1/16SS1101D |
| | R 1683 (A,162,24) | RS1/16SS0R0J | R 1966 (B,167,64) | RS1/16SS3000D |
| | R 1684 (A,146,13) | RS1/16SS821J | R 1967 (B,165,66) | RS1/16SS1002D |
| | R 1685 (A,147,23) | RS1/16SS821J | R 1968 (B,167,66) | RS1/16SS511J |
| | R 1686 (A,147,35) | RS1/16SS0R0J | R 2003 (B,145,39) | RS1/10SR0R0J |
| | R 1687 (A,147,34) | RS1/16SS0R0J | R 2011 (B,111,14) | RS1/16SS472J |
| | R 1690 (A,154,23) | RS1/16SS0R0J | R 2012 (B,112,13) | RS1/16SS223J |
| | R 1692 (A,160,24) | RS1/16SS0R0J | R 2013 (B,112,15) | RS1/16SS473J |
| | R 1693 (A,158,24) | RS1/16SS0R0J | R 2022 (B,82,18) | RS1/16SS0R0J |
| | R 1697 (A,159,22) | RS1/16SS181J | R 2024 (B,81,19) | RS1/10SR0R0J |
| | R 1701 (A,138,104) | RS1/10SR222J | R 2031 (B,79,22) | RS1/16SS102J |
| F | R 1702 (A,133,104) | RS1/16SS562J | R 2052 (B,154,18) | RS1/16SS0R0J |
| | R 1703 (A,133,105) | RS1/16SS332J | R 2101 (B,170,97) | RS1/16SS3601D |
| | R 1713 (B,46,50) (D,E,F,G) | RS1/16SS4700D | R 2102 (B,168,97) | RS1/16SS4702D |
| | R 1714 (B,63,52) (A,B,C) | RS1/16SS102J | | |

| 5 | | 6 | | 7 | | 8 | |
|-------------------------------|-----------------------|-----------------|-------------------------------|--------------------|-----------------|---|--|
| <u>Circuit Symbol and No.</u> | | <u>Part No.</u> | <u>Circuit Symbol and No.</u> | | <u>Part No.</u> | | |
| R 2103 | (B,168,98) | RS1/16SS2202D | C 116 | (B,130,81) 10 uF | CCG1192 | | |
| R 2104 | (B,170,98) | RS1/16SS222J | C 117 | (B,133,80) | CKSRYB104K16 | | |
| R 2105 | (B,158,90) | RS1/8SQ0R0J | C 118 | (B,134,81) 10 uF | CCG1192 | | |
| R 2161 | (A,156,110) | RS1/16SS102J | C 119 | (B,140,70) | CKSRYB105K10 | A | |
| | | | C 120 | (B,140,71) | CKSRYB105K10 | | |
| R 2162 | (A,156,111) | RS1/16SS102J | | | | | |
| R 2163 | (A,156,108) | RS1/16SS102J | C 121 | (B,140,73) | CKSRYB105K10 | | |
| R 2164 | (B,171,113) | RS1/16SS224J | C 122 | (B,140,74) | CKSRYB105K10 | | |
| R 2165 | (B,171,110) | RS1/16SS4702D | C 123 | (B,140,75) | CKSRYB105K10 | | |
| R 2166 | (B,164,115) | RS1/16SS152J | C 124 | (B,140,77) | CKSRYB105K10 | | |
| | | | C 125 | (B,140,78) | CKSRYB105K10 | | |
| R 2167 | (B,165,115) | RS1/16SS3302D | | | | | |
| R 2168 | (B,166,115) | RS1/16SS8201D | C 126 | (B,140,79) | CKSRYB105K10 | | |
| R 2169 | (B,157,110) | RS1/16SS752J | C 127 | (B,140,81) | CKSRYB105K10 | | |
| R 2170 | (A,156,109) | RS1/16SS102J | C 128 | (B,132,66) | CKSRYB105K10 | | |
| R 2171 | (A,158,103) 0.056 ohm | ACN7160 | C 129 | (B,129,66) | CKSRYB105K10 | | |
| | | | C 130 | (B,122,77) | CKSSYB104K10 | B | |
| R 2172 | (B,159,107) | RS1/16SS0R0J | | | | | |
| R 2173 | (B,172,103) | RS1/16SS394J | C 131 | (B,125,77) | CKSSYB104K10 | | |
| R 2174 | (B,171,104) | RS1/16SS204J | C 132 | (B,133,66) | CKSRYB105K10 | | |
| R 2177 | (B,166,113) | RS1/16SS0R0J | C 133 | (B,136,65) | CKSRYB105K10 | | |
| R 2178 | (B,164,113) | RS1/16SS0R0J | C 134 | (B,139,67) | CKSRYB105K10 | | |
| | | | C 135 | (B,141,67) | CKSRYB105K10 | | |
| R 3621 | (B,29,35) | RS1/16SS750J | | | | | |
| R 3641 | (B,81,42) | RS1/16SS223J | C 136 | (B,140,69) | CKSRYB105K10 | | |
| R 3642 | (B,61,40) | RS1/16SS223J | C 137 | (B,131,66) | CKSRYB105K10 | | |
| R 3643 | (B,86,38) | RS1/16SS750J | C 138 | (B,135,66) | CKSRYB105K10 | | |
| R 3661 | (B,101,41) | RAB4CQ750J | C 139 | (B,134,83) | CCSSCH102J50 | | |
| | | | C 140 | (B,124,80) | CKSSYB271K50 | | |
| R 3662 | (B,115,33) | RS1/16SS223J | | | | | |
| R 3663 | (B,114,32) | RS1/16SS223J | C 201 | (B,129,103) | CKSSYB222K50 | C | |
| R 3664 | (B,115,26) | RS1/16SS562J | C 203 | (B,126,103) 2.2 uF | CCG1218 | | |
| R 3665 | (A,115,43) | RS1/10SR102J | C 251 | (B,116,107) | CCSSCH100D50 | | |
| R 3666 | (A,116,40) | RS1/10SR102J | C 252 | (B,110,94) | CCSSCH101J50 | | |
| | | | C 253 | (B,113,103) | CKSRYB105K10 | | |
| R 3668 | (A,121,38) | RS1/10SR471J | | | | | |
| R 3669 | (A,122,39) | RS1/10SR471J | C 254 | (B,112,106) | CCSQCH223J50 | | |
| R 3677 | (B,113,27) | RS1/16SS272J | C 255 | (B,114,106) | CCSQCH223J50 | | |
| R 3678 | (B,113,26) | RS1/16SS272J | C 256 | (B,116,105) | CKSRYB105K10 | | |
| R 3680 | (A,91,40) | RS1/16SS103J | C 257 | (B,117,105) | CKSRYB105K10 | | |
| | | | C 260 | (B,122,105) | CKSRYB105K10 | | |
| R 3681 | (A,91,39) | RS1/16SS103J | | | | | |
| R 3682 | (A,98,44) | RS1/16SS103J | C 261 | (B,123,105) | CKSRYB105K10 | D | |
| R 3683 | (B,112,29) | RS1/16SS221J | C 262 | (B,127,98) | CCSSCH101J50 | | |
| R 3684 | (B,111,28) | RS1/16SS221J | C 263 | (B,130,99) | CKSRYB104K16 | | |
| R 3685 | (B,108,38) | RS1/16SS101J | C 264 | (B,127,100) | CKSRYB474K10 | | |
| | | | C 265 | (B,135,98) 10 uF | CCG1192 | | |
| R 3686 | (B,114,35) | RS1/16SS101J | | | | | |
| R 3687 | (B,114,29) | RS1/16SS470J | C 266 | (B,126,96) | CCSSCH101J50 | | |
| R 3732 | (B,136,44) | RS1/10SR102J | C 267 | (B,129,95) 10 uF | CCG1192 | | |
| | | | C 268 | (B,119,87) | CKSRYB105K10 | | |
| | | | C 269 | (B,113,87) | CKSRYB105K10 | | |
| | | | C 270 | (B,114,87) | CKSRYB105K10 | | |
| <u>CAPACITORS</u> | | | | | | | |
| C 101 | (B,125,69) | CKSSYB104K10 | | | | | |
| C 102 | (B,125,70) | CKSSYB104K10 | C 271 | (B,116,87) | CKSRYB105K10 | | |
| C 103 | (B,125,71) | CKSSYB104K10 | C 272 | (B,117,87) | CKSRYB105K10 | E | |
| C 104 | (B,125,72) | CKSSYB104K10 | C 275 | (B,117,85) | CCSSCH100D50 | | |
| C 105 | (B,125,73) | CKSSYB104K10 | C 276 | (B,124,87) | CKSSYB104K10 | | |
| | | | C 277 | (B,130,92) 10 uF | CCG1192 | | |
| C 106 | (B,125,74) | CKSSYB104K10 | | | | | |
| C 107 | (B,125,75) | CKSSYB104K10 | C 278 | (B,108,100) | CCSRCH102J50 | | |
| C 108 | (B,125,76) | CKSSYB104K10 | C 279 | (B,111,101) | CKSRYB105K10 | | |
| C 109 | (B,126,78) | CKSSYB104K10 | C 281 | (B,111,95) | CCSSCH101J50 | | |
| C 110 | (B,127,81) 10 uF | CCG1192 | C 282 | (B,105,93) | CCSRCH102J50 | | |
| | | | C 283 | (B,109,93) 10 uF | CCG1192 | | |
| C 111 | (B,126,83) | CKSSYB104K10 | | | | | |
| C 112 | (B,125,83) | CKSSYB104K10 | C 284 | (B,108,98) 10 uF | CCG1192 | | |
| C 113 | (B,128,66) 10 uF | CCG1192 | C 286 | (B,103,94) | CKSSYB104K16 | F | |
| C 114 | (B,126,67) | CKSSYB104K10 | C 287 | (B,127,96) | CCSSCH102J50 | | |
| C 115 | (B,130,83) | CKSRYB104K16 | C 289 | (B,130,100) | CCSSCH102J50 | | |
| | | | C 290 | (B,124,106) | CKSSYB103K16 | | |
| | | | C 292 | (A,137,76) (E) | CKSRYB105K10 | | |

| | 1 | 2 | 3 | 4 |
|---|-------------------------------|-----------------|-------------------------------|-----------------|
| | <u>Circuit Symbol and No.</u> | <u>Part No.</u> | <u>Circuit Symbol and No.</u> | <u>Part No.</u> |
| | C 301 (B,86,102) 10 uF | CCG1192 | C 561 (A,52,80) (A,E) | CCSSCH100D50 |
| | C 305 (A,113,113) | CKSRYB104K16 | C 562 (A,53,80) | CKSSYB472K25 |
| A | C 307 (B,74,123) | CCSSCH101J50 | C 563 (A,51,79) | CKSSYB472K25 |
| | C 308 (B,74,122) | CCSSCH100D50 | C 564 (A,52,78) | CCSSCH100D50 |
| | C 311 (A,85,89) | XCEHVW101M16 | | |
| | C 321 (B,85,108) 4.7 uF | CCG1201 | C 565 (A,48,78) | CKSSYB104K10 |
| | C 341 (A,95,111) 0.22 uF | CCG1313 | C 566 (A,52,73) | CCSSCH100D50 |
| | C 342 (A,92,111) 0.22 uF | CCG1313 | C 568 (A,46,71) 2.2 uF | CCG1218 |
| | C 343 (A,102,112) 0.22 uF | CCG1313 | C 569 (A,46,72) (A,E) | CCSRCH220J50 |
| | C 344 (A,99,112) 0.22 uF | CCG1313 | C 570 (A,46,70) | CKSSYB104K10 |
| | | | C 571 (A,43,70) 2.2 uF | CCG1218 |
| | C 349 (A,105,112) 1 uF | CCG1325 | C 573 (A,44,71) | CKSSYB104K10 |
| | C 350 (A,89,109) 4.7 uF | CCG1291 | C 574 (A,48,75) (A,E) | CCSSCH220J50 |
| | C 352 (B,74,121) | CKSRYB104K16 | C 601 (A,62,43) | CKSSYB104K10 |
| B | C 353 (A,86,109) 4.7 uF | CCG1291 | C 602 (A,65,43) | CKSSYB104K10 |
| | | | C 603 (B,58,44) | CKSSYB331K50 |
| | C 454 (A,30,96) (A,E) | CCSSCK2R0C50 | C 604 (A,63,68) | CKSSYB104K10 |
| | C 455 (A,23,96) (A,E) | CCSSCJ3R0C50 | | |
| | C 456 (B,24,83) (A) | CCSSCH5R0C50 | C 606 (A,71,54) | CCSSCH8R0D50 |
| | C 458 (B,35,88) (A,E) | CCSSCH5R0C50 | C 607 (A,68,57) | CCSSCH100D50 |
| | | | C 608 (A,68,60) | CKSSYB104K10 |
| | C 459 (B,31,82) (A,E) | CCSSCH4R0C50 | C 610 (B,64,56) | CKSSYB104K10 |
| | C 460 (B,33,82) (A,E) | CCSSCH4R0C50 | C 612 (B,65,59) | CKSSYB102K50 |
| | C 461 (B,29,84) (A,E) | CCSSCH4R0C50 | | |
| | C 509 (A,43,93) | CCSSCH330J50 | C 613 (A,44,54) | CKSSYB104K10 |
| | | | C 614 (A,57,73) | CKSSYB103K16 |
| | C 510 (A,45,93) | CCSSCH6R0D50 | C 615 (A,57,74) 0.1 uF | CCG1321 |
| C | C 512 (A,32,96) | CKSRYB103K50 | C 619 (A,73,63) 1 uF | DCH1246 |
| | C 513 (A,48,93) | CKSSYB103K16 | C 620 (A,68,59) 1 uF | DCH1246 |
| | C 514 (A,40,88) | CKSSYB104K10 | | |
| | C 515 (A,37,87) | CKSSYB104K10 | C 621 (A,57,72) | CCSSCH102J50 |
| | | | C 751 (B,49,22) | CKSSYB104K10 |
| | C 517 (A,48,90) | CKSSYB103K16 | C 753 (B,47,19) 10 uF | CCG1192 |
| | C 518 (A,46,85) | CKSSYB103K16 | C 754 (B,52,17) 10 uF | CCG1192 |
| | C 519 (A,39,87) | CKSSYB104K10 | C 756 (A,134,69) | CKSSYB104K10 |
| | C 520 (A,33,90) (A,E) | CCSSCJ3R0C50 | | |
| | C 521 (A,39,86) | CKSSYB103K16 | C 801 (A,76,98) | XCEHAT332M16 |
| | C 522 (A,36,87) | CKSSYB103K16 | C 821 (A,49,104) | CKSRYB104K50 |
| | | | C 831 (B,63,78) | CKSRYB104K50 |
| | C 523 (A,35,87) 10 uF | CCG1192 | C 841 (B,68,76) | CKSRYB105K10 |
| D | C 524 (A,33,86) | CKSSYB223K16 | C 861 (A,54,102) | CKSRYB104K50 |
| | C 525 (A,41,90) | CKSRYB105K10 | | |
| | C 527 (A,42,86) | CKSSYB103K16 | C 1001 (B,88,61) | CKSSYB104K10 |
| | C 529 (A,38,92) 10 uF | CCG1192 | C 1002 (B,85,61) | CKSSYB104K10 |
| | | | C 1003 (B,81,61) | CKSSYB104K10 |
| | C 530 (A,30,83) 10 uF | CCG1192 | C 1004 (B,77,61) | CKSSYB104K10 |
| | C 531 (A,33,83) (A,E) | CCSSCJ3R0C50 | C 1005 (B,89,65) | CKSSYB104K10 |
| | C 538 (A,31,82) | CKSSYB104K10 | | |
| | C 539 (A,29,81) | CCSSCH101J50 | C 1006 (B,93,67) 10 uF | CCG1192 |
| | C 540 (A,35,85) | CKSSYB104K10 | C 1007 (B,85,65) | CKSSYB104K10 |
| | C 541 (A,28,81) | CKSSYB103K16 | C 1008 (B,80,65) | CKSSYB104K10 |
| | | | C 1009 (B,76,65) | CKSSYB104K10 |
| | C 542 (A,32,79) | CCSSCH820J50 | C 1010 (B,90,71) | CKSRYB105K10 |
| E | C 543 (A,31,76) (A,E) | CKSSYB104K10 | | |
| | C 544 (A,30,73) 2.2 uF | CCG1218 | C 1011 (B,88,71) | CKSRYB105K10 |
| | C 545 (A,32,77) | CCSSCH101J50 | C 1012 (B,86,71) | CKSRYB105K10 |
| | C 547 (A,31,72) | CKSSYB104K10 | C 1013 (B,85,71) | CKSRYB105K10 |
| | C 548 (A,34,70) | CKSSYB104K10 | C 1014 (B,83,72) | CKSRYB105K10 |
| | | | C 1015 (B,81,71) | CKSRYB105K10 |
| | C 549 (A,33,70) | CKSSYB104K10 | | |
| | C 550 (A,29,75) | CKSSYB104K10 | C 1016 (B,79,71) | CKSRYB105K10 |
| | C 553 (A,32,72) (A,E) | CCSSCH220J50 | C 1017 (B,78,71) | CKSRYB105K10 |
| | C 554 (A,34,73) | CKSSYB102K50 | C 1018 (B,76,71) | CKSRYB105K10 |
| | C 555 (A,38,71) | CKSSYB104K10 | C 1051 (B,82,50) | CKSSYB474K6R3 |
| | C 556 (A,48,83) (A,E) | CCSSCH220J50 | C 1052 (B,83,50) | CKSSYB474K6R3 |
| F | C 557 (A,52,85) | CKSRYB224K16 | | |
| | | | C 1053 (B,83,48) | CKSSYB474K6R3 |
| | C 558 (A,48,81) | CKSSYB224K6R3 | C 1054 (B,79,50) | CKSSYB103K16 |
| | C 559 (A,51,82) | CKSRYB105K10 | C 1055 (B,79,49) | CKSSYB102K50 |
| | C 560 (A,50,79) (A,E) | CCSSCH100D50 | C 1056 (B,81,50) | CKSSYB103K16 |
| | | | C 1057 (B,72,46) 10 uF | CCG1192 |

| 5 | | 6 | | 7 | | 8 | |
|-------------------------------|------------------|-----------------|--|-------------------------------|------------------|-----------------|---|
| <u>Circuit Symbol and No.</u> | | <u>Part No.</u> | | <u>Circuit Symbol and No.</u> | | <u>Part No.</u> | |
| C 1058 | (B,74,45) | CKSSYB102K50 | | C 1318 | (A,124,46) | CKSSYB104K10 | |
| C 1059 | (B,90,46) | CKSSYB104K10 | | C 1319 | (A,124,49) | CKSSYB104K10 | |
| C 1060 | (B,73,45) | CKSSYB103K16 | | C 1320 | (B,122,52) | CKSSYB104K10 | A |
| C 1061 | (B,90,44) | CKSSYB104K10 | | C 1321 | (B,122,53) | CKSSYB104K10 | |
| C 1062 | (B,70,46) | CKSRYB105K10 | | C 1322 | (A,123,54) | CKSSYB104K10 | |
| | | | | C 1323 | (A,125,57) | CKSSYB104K10 | |
| C 1063 | (B,72,42) 10 uF | CCG1192 | | C 1324 | (A,94,60) | CKSSYB104K10 | |
| C 1064 | (B,74,42) | CKSSYB104K10 | | C 1325 | (A,96,60) | CKSSYB104K10 | |
| C 1065 | (B,74,40) | CKSSYB104K10 | | C 1326 | (A,101,59) | CKSSYB104K10 | |
| C 1066 | (B,90,40) | CKSSYB104K10 | | C 1327 | (A,102,60) | CKSSYB104K10 | |
| C 1067 | (B,73,39) | CKSSYB104K10 | | C 1328 | (B,105,57) | CKSSYB104K10 | |
| C 1068 | (B,90,38) | CKSSYB104K10 | | C 1329 | (B,106,57) | CKSSYB104K10 | |
| C 1069 | (B,89,36) | CKSSYB104K10 | | C 1330 | (A,105,60) | CKSSYB104K10 | |
| C 1070 | (B,73,35) | CCSSCH5R0C50 | | C 1331 | (B,107,57) | CKSSYB104K10 | B |
| C 1071 | (B,68,35) | CCSSCH5R0C50 | | C 1332 | (A,109,60) | CKSSYB104K10 | |
| C 1072 | (B,74,29) 10 uF | CCG1192 | | C 1333 | (A,113,60) | CKSSYB104K10 | |
| C 1073 | (B,79,33) | CKSSYB104K10 | | C 1334 | (B,111,57) | CKSSYB104K10 | |
| C 1074 | (B,81,33) | CKSSYB104K10 | | C 1335 | (A,114,60) | CKSSYB104K10 | |
| C 1075 | (B,74,32) | CKSSYB103K16 | | C 1336 | (A,106,63) 1 uF | DCH1246 | |
| C 1076 | (B,71,29) 10 uF | CCG1192 | | C 1337 | (A,103,63) | CCSSCH100D50 | |
| C 1078 | (B,86,54) | CKSRYB105K10 | | C 1338 | (A,102,67) | CCSSCH100D50 | |
| C 1079 | (B,89,54) | CKSRYB105K10 | | C 1339 | (A,110,64) | CCSSCH120J50 | |
| C 1080 | (B,85,50) | CKSSYB103K16 | | C 1340 | (A,116,65) | CCSSCH120J50 | |
| C 1081 | (B,85,49) | CKSSYB102K50 | | C 1341 | (B,93,22) | CKSSYB104K10 | C |
| C 1082 | (B,83,54) | CKSRYB105K10 | | C 1342 | (B,92,32) | CKSSYB104K10 | |
| C 1083 | (B,79,55) | CKSRYB105K10 | | C 1343 | (B,92,33) | CKSSYB104K10 | |
| C 1085 | (B,76,34) (A,E) | CCSSCH5R0C50 | | C 1344 | (B,92,37) | CKSSYB104K10 | |
| C 1086 | (B,88,46) | CKSSYB104K10 | | C 1345 | (B,92,38) | CKSSYB104K10 | |
| C 1101 | (B,135,38) | CKSSYB104K10 | | C 1346 | (B,92,41) | CKSSYB104K10 | |
| C 1102 | (B,131,33) | CKSSYB104K10 | | C 1347 | (B,92,42) | CKSSYB104K10 | |
| C 1103 | (B,127,33) | CKSSYB104K10 | | C 1348 | (B,92,45) | CKSSYB104K10 | |
| C 1104 | (B,122,34) | CKSSYB104K10 | | C 1349 | (B,92,46) | CKSSYB104K10 | |
| C 1105 | (B,110,38) | CKSSYB104K10 | | C 1350 | (B,93,48) | CKSSYB104K10 | |
| C 1106 | (B,129,49) | CKSSYB104K10 | | C 1351 | (A,84,49) | CCSSCH120J50 | |
| C 1107 | (B,125,49) | CKSSYB104K10 | | C 1352 | (B,93,49) | CKSSYB104K10 | |
| C 1108 | (B,120,49) | CCSSCH470J50 | | C 1353 | (A,89,50) | CCSSCH120J50 | D |
| C 1152 | (B,98,49) 10 uF | CCG1192 | | C 1354 | (B,93,51) | CKSSYB104K10 | |
| C 1153 | (B,104,55) | CKSSYB104K10 | | C 1355 | (B,108,22) | CKSSYB103K16 | |
| C 1154 | (B,102,56) 10 uF | CCG1192 | | C 1356 | (B,138,46) | CKSSYB103K16 | |
| C 1155 | (B,98,53) | CKSSYB182K50 | | C 1357 | (B,106,25) 10 uF | CCG1192 | |
| C 1156 | (B,109,54) | CKSSYB182K50 | | C 1358 | (B,139,45) 10 uF | CCG1192 | |
| C 1201 | (B,109,38) | CKSSYB104K10 | | C 1360 | (A,87,30) | CCSSCH470J50 | |
| C 1202 | (B,109,39) | CKSSYB102K50 | | C 1361 | (B,101,34) | CCSSCH560J50 | |
| C 1251 | (B,139,53) | CKSSYB104K10 | | C 1362 | (A,84,34) | CCSSCH560J50 | |
| C 1301 | (A,96,25) | CKSSYB104K10 | | C 1363 | (A,83,35) | CCSSCH560J50 | |
| C 1302 | (A,100,25) | CKSSYB104K10 | | C 1364 | (A,82,35) | CCSSCH560J50 | |
| C 1303 | (A,103,26) | CKSSYB104K10 | | C 1365 | (A,86,37) | CCSSCH560J50 | E |
| C 1304 | (A,106,25) | CKSSYB104K10 | | C 1366 | (A,84,37) | CCSSCH560J50 | |
| C 1305 | (A,108,24) | CKSSYB104K10 | | C 1367 | (A,83,38) | CCSSCH560J50 | |
| C 1306 | (A,110,25) | CKSSYB104K10 | | C 1368 | (A,81,38) | CCSSCH560J50 | |
| C 1307 | (A,114,25) | CKSSYB104K10 | | C 1369 | (A,82,41) | CCSSCH560J50 | |
| C 1308 | (A,117,25) | CKSSYB104K10 | | C 1370 | (A,82,40) | CCSSCH560J50 | |
| C 1309 | (B,109,43) | CCSSCH470J50 | | C 1371 | (A,80,41) | CCSSCH560J50 | |
| C 1310 | (A,124,30) | CKSSYB104K10 | | C 1372 | (A,80,42) | CCSSCH560J50 | |
| C 1311 | (A,124,32) | CKSSYB104K10 | | C 1373 | (A,79,42) | CCSSCH560J50 | |
| C 1312 | (A,124,34) | CKSSYB104K10 | | C 1374 | (A,77,42) | CCSSCH560J50 | |
| C 1313 | (A,125,36) | CKSSYB104K10 | | C 1375 | (A,81,46) | CCSSCH560J50 | F |
| C 1314 | (A,124,38) | CKSSYB104K10 | | C 1376 | (A,79,46) | CCSSCH560J50 | |
| C 1315 | (A,124,40) | CKSSYB104K10 | | C 1377 | (A,81,50) | CCSSCH560J50 | |
| C 1316 | (A,124,41) | CKSSYB104K10 | | C 1379 | (A,81,52) | CCSSCH560J50 | |
| C 1317 | (A,125,43) | CKSSYB104K10 | | | | | |

1

Circuit Symbol and No.

2

Part No.

3

Circuit Symbol and No.

4

Part No.

| | | | | | | | |
|---|------|--------------------|------------------|---|------|-------------------|--------------|
| C | 1380 | (A,81,54) | CCSSCH560J50 | C | 1802 | (B,57,85) | CKSSYB104K10 |
| C | 1382 | (A,86,26) | CCSSCH150J50 | C | 1803 | (B,63,82) | CKSRYB104K50 |
| C | 1383 | (A,86,33) | CCSSCH6R0D50 | C | 1804 | (A,75,86) | XCEHAT102M16 |
| A | C | 1384 | (A,110,60) 1 uF | C | 1821 | (A,101,99) | XCEHVW101M16 |
| C | 1386 | (B,139,48) | DCH1246 | C | 1822 | (A,84,102) | CKSRYB105K16 |
| C | 1387 | (B,108,26) | CCSRCH102J50 | C | 1901 | (B,35,62) 10 uF | CCG1192 |
| C | 1388 | (B,136,48) | CCSRCH331J50 | C | 1902 | (B,32,61) | CKSRYB105K10 |
| C | 1389 | (B,110,26) | CCSRCH102J50 | C | 1951 | (B,150,66) | CCSSCH471J50 |
| C | 1390 | (A,90,30) (A,E) | CCSRCH331J50 | C | 1952 | (B,150,69) | CKSSYB103K16 |
| C | 1399 | (A,128,39) | CCSRCH102J50 | C | 1953 | (B,152,68) | CCSSCH8R0D50 |
| C | 1601 | (A,156,105) | CCSRCH270J50 | C | 1954 | (B,164,68) | CCSSCH8R0D50 |
| C | 1607 | (A,46,112) (A,E) | CCSRCH270J50 | C | 1955 | (B,165,68) | CKSSYB103K16 |
| C | 1608 | (A,36,115) (A,E) | CCSRCH270J50 | C | 1956 | (B,165,65) | CCSSCH102J50 |
| C | 1609 | (A,42,115) (A,E) | CCSRCH270J50 | C | 1957 | (A,163,39) | CKSSYB102K50 |
| B | C | 1610 | (A,32,111) (A,E) | C | 1958 | (A,163,40) | CKSSYB104K10 |
| C | 1611 | (A,40,110) (A,E) | CCSRCH270J50 | C | 1959 | (A,162,42) 10 uF | CCG1236 |
| C | 1612 | (A,27,115) (A,E) | CCSRCH270J50 | C | 1960 | (A,162,44) 10 uF | CCG1236 |
| C | 1621 | (B,139,111) | CKSRYB104K50 | C | 1961 | (A,162,47) 47 uF | CCG1229 |
| C | 1622 | (B,119,110) | CKSRYB104K50 | C | 1963 | (B,159,73) | CKSRYB473K50 |
| C | 1624 | (B,131,111) | CKSRYB104K50 | C | 1964 | (B,156,73) | CKSRYB102K50 |
| C | 1631 | (B,45,107) 4.7 uF | CCG1201 | C | 1965 | (B,157,82) 10 uF | CCG1236 |
| C | 1632 | (B,39,107) 4.7 uF | CCG1201 | C | 1966 | (B,159,63) | CKSSYB104K10 |
| C | 1633 | (B,43,107) 4.7 uF | CCG1201 | C | 1967 | (B,157,79) 10 uF | CCG1236 |
| C | 1634 | (B,37,107) 4.7 uF | CCG1201 | C | 1968 | (B,157,77) 10 uF | CCG1236 |
| C | 1635 | (B,41,107) 4.7 uF | CCG1201 | C | 1969 | (B,164,69) | CKSSYB104K16 |
| C | 1636 | (B,35,107) 4.7 uF | CCG1201 | C | 1970 | (B,152,70) | CKSSYB104K16 |
| C | 1661 | (B,126,13) | CKSSYB471K50 | C | 1971 | (B,157,63) | CKSSYB104K10 |
| C | 1671 | (A,160,21) | CCSSCH101J50 | C | 1972 | (B,152,66) | CKSRYB105K10 |
| C | 1672 | (A,163,36) 10 uF | CCSSCH101J50 | C | 1974 | (A,152,48) 47 uF | CCG1229 |
| C | 1673 | (A,158,37) 10 uF | CCG1192 | C | 1975 | (B,158,86) | CKSRYB102K50 |
| C | 1676 | (A,162,17) | CCG1192 | C | 1976 | (A,152,45) 10 uF | CCG1236 |
| C | 1677 | (B,155,36) | XCEVW221M4 | C | 1977 | (B,157,84) 10 uF | CCG1236 |
| C | 1678 | (B,163,25) | CKSSYB103K16 | C | 1978 | (A,152,43) 10 uF | CCG1236 |
| C | 1681 | (A,160,36) | CKSRYB105K10 | C | 1979 | (A,164,83) | XCEHAT332M16 |
| C | 1682 | (A,143,19) 10 uF | CKSRYB104K16 | C | 1980 | (A,151,41) | CKSSYB104K10 |
| C | 1683 | (A,146,23) | CCG1192 | C | 1981 | (A,151,40) | CKSSYB102K50 |
| C | 1685 | (A,145,18) | CKSSYB182K50 | C | 2011 | (B,109,15) | CKSRYB105K10 |
| C | 1686 | (A,145,12) | CKSSYB104K10 | C | 2012 | (B,122,12) | CKSRYB105K10 |
| C | 1687 | (A,143,23) 10 uF | CKSSYB182K50 | C | 2023 | (B,85,25) 10 uF | CCG1192 |
| C | 1688 | (B,146,6) | CCG1192 | C | 2031 | (B,76,23) | CKSRYB105K10 |
| C | 1689 | (B,146,7) | CCSSCH101J50 | C | 2032 | (B,80,25) | CKSRYB105K10 |
| C | 1701 | (B,65,25) | CKSSYB104K10 | C | 2061 | (B,164,19) 4.7 uF | CCG1201 |
| C | 1702 | (B,63,25) | CKSSYB471K50 | C | 2062 | (B,161,18) | CKSRYB105K10 |
| C | 1703 | (A,83,32) | CKSSYB104K10 | C | 2071 | (A,147,37) | CKSSYB104K10 |
| C | 1704 | (B,78,29) | CKSSYB104K16 | C | 2083 | (A,21,15) | CKSSYB104K10 |
| C | 1707 | (B,51,34) (E) | CKSSYB104K10 | C | 2101 | (A,157,90) | CKSSYB103K16 |
| C | 1721 | (A,122,101) | CKSRYB105K10 | C | 2102 | (A,156,88) 10 uF | CCG1236 |
| C | 1722 | (A,130,93) | CCSSCH101J50 | C | 2105 | (B,168,100) | CKSSYB682K25 |
| C | 1723 | (A,134,100) | CKSRYB105K10 | C | 2106 | (B,163,91) | CKSSYB103K16 |
| C | 1724 | (A,131,100) | CKSRYB105K10 | C | 2107 | (B,159,94) 10 uF | CCG1236 |
| C | 1725 | (A,127,103) | CKSSYB104K10 | C | 2108 | (B,158,92) | CKSSYB103K16 |
| C | 1731 | (A,125,104) 2.2 uF | CCG1218 | C | 2109 | (A,154,82) | XCEHVW470M16 |
| C | 1732 | (A,124,104) 2.2 uF | CCG1218 | C | 2151 | (A,49,23) | CKSRYB104K16 |
| C | 1733 | (A,122,110) | CKSSYB104K10 | C | 2152 | (A,140,85) (A,E) | CKSSYB102K50 |
| C | 1734 | (A,119,112) | CKSSYB104K10 | C | 2161 | (B,170,103) | CKSSYB104K16 |
| C | 1735 | (A,120,109) 2.2 uF | CCSSCH101J50 | C | 2162 | (B,158,104) 10 uF | CCG1236 |
| C | 1737 | (A,128,110) 2.2 uF | CCG1218 | C | 2163 | (A,165,118) | XCEHVW101M16 |
| C | 1738 | (A,132,112) 2.2 uF | CCG1218 | C | 2164 | (B,167,113) | CKSRYB105K10 |
| C | 1739 | (A,130,106) | CKSSYB104K10 | C | 2165 | (B,172,113) | CKSSYB102K50 |
| C | 1801 | (A,64,76) | XCEHVW470M16 | C | 2166 | (B,170,113) | CKSSYB472K25 |

1

2

3

4

5
Circuit Symbol and No.

| | |
|--------|-------------------|
| C 2167 | (B,171,106) |
| C 2168 | (B,163,113) |
| C 2169 | (B,157,109) |
| C 2170 | (B,158,109) |
| C 2172 | (A,164,110) |
| | |
| C 2173 | (B,160,108) |
| C 2185 | (A,156,107) |
| C 2186 | (A,159,106) 22 uF |
| C 3601 | (B,117,33) 2.2 uF |
| | |
| C 3602 | (B,117,32) 2.2 uF |
| C 3603 | (B,117,30) 2.2 uF |
| C 3604 | (B,117,27) 2.2 uF |
| C 3605 | (B,117,25) 2.2 uF |
| | |
| C 3641 | (B,80,35) |
| C 3642 | (B,70,21) |
| C 3661 | (A,98,42) |
| C 3692 | (B,124,40) |
| C 3721 | (B,106,30) |
| | |
| C 3722 | (A,118,35) |
| C 3723 | (A,119,39) |
| C 3724 | (A,117,43) |
| C 3725 | (A,121,43) |
| C 3726 | (A,125,43) |
| | |
| C 3744 | (A,77,35) |

6
Part No.

| | |
|--------------|--|
| CKSSYB104K16 | |
| CCSSCH471J50 | |
| CKSSYB222K50 | |
| CCSSCH270J50 | |
| XCEHVW470M16 | |
| | |
| CKSSYB104K16 | |
| CKSSYB104K16 | |
| DCH1256 | |
| CCG1218 | |
| | |
| CCG1218 | |
| CCG1218 | |
| CCG1218 | |
| CCG1218 | |
| CCG1218 | |
| | |
| CKSRYB104K50 | |
| CKSRYB104K50 | |
| CKSSYB104K10 | |
| CKSSYB104K10 | |
| CKSRYB102K50 | |
| | |
| CKSRYB102K50 | |
| CKSRYB102K50 | |
| CKSRYB102K50 | |
| CCSRCH180J50 | |
| CCSRCH180J50 | |
| | |
| CKSRYB105K10 | |

7
Circuit Symbol and No.

| | |
|--------|---------------------------------|
| S 3 | (B,25,13) Spring Switch(12EJ) |
| VR1101 | (A,7,63) Semi-fixed 6.8 kohm(B) |
| VR1102 | (A,7,60) Semi-fixed 15 kohm(B) |
| | |
| CN1101 | (A,21,63) Connector |
| CN1952 | (A,42,11) Connector |

8
Part No.

| | |
|---------|--|
| CSN1081 | |
| CCP1447 | |
| CCP1449 | |
| | |
| CKS6331 | |
| CKS6025 | |

RESISTORS

| | | |
|--------|-----------|---------------|
| R 1004 | (B,12,20) | RS1/16SS4702D |
| R 1007 | (B,12,21) | RS1/16SS6801D |
| R 1019 | (B,34,7) | RS1/16SS101J |
| R 1025 | (B,36,6) | RS1/16SS101J |
| R 1027 | (A,40,18) | RS1/16SS101J |
| | | |
| R 1101 | (B,15,57) | RS1/16SS104J |
| R 1102 | (B,10,56) | RS1/16SS104J |
| R 1103 | (B,14,61) | RS1/16SS4300F |
| R 1104 | (B,11,59) | RS1/16SS5100F |
| R 1105 | (B,17,54) | RS1/16SS4300F |
| | | |
| R 1106 | (B,10,57) | RS1/16SS5600F |
| R 1109 | (B,6,57) | RS1/16SS3R3J |
| R 1110 | (B,16,54) | RS1/16SS3R3J |
| R 1111 | (B,6,63) | RS1/10SR3R3J |
| R 1112 | (B,5,58) | RS1/10SR3R3J |
| | | |
| R 1113 | (B,15,59) | RS1/10SR3R9J |
| R 1114 | (B,19,57) | RS1/10SR3R3J |
| R 1115 | (B,6,61) | RS1/10SR2R7J |
| R 1116 | (B,6,62) | RS1/10SR2R7J |
| R 1117 | (B,17,59) | RS1/10SR3R9J |
| | | |
| R 1118 | (B,16,59) | RS1/10SR3R9J |
| R 1223 | (A,42,50) | RS1/16SS561J |
| R 1225 | (B,29,8) | RS1/16SS471J |
| R 1251 | (A,5,48) | RS1/16SS333J |
| R 1252 | (A,5,47) | RS1/16SS473J |
| | | |
| R 1253 | (A,5,46) | RS1/16SS333J |
| R 1254 | (A,5,45) | RS1/16SS473J |
| R 1255 | (A,21,48) | RS1/16SS183J |
| R 1256 | (A,21,46) | RS1/16SS752J |
| R 1257 | (B,8,37) | RS1/16SS221J |
| | | |
| R 1258 | (A,19,39) | RS1/16SS221J |
| R 1401 | (B,34,28) | RS1/16SS221J |
| R 1402 | (B,34,47) | RS1/16SS104J |
| R 1405 | (B,55,35) | RS1/16SS104J |
| R 1406 | (B,39,45) | RS1/16SS472J |
| | | |
| R 1480 | (A,72,24) | RAB4CQ560J |
| R 1481 | (A,72,28) | RAB4CQ560J |
| R 1482 | (A,72,32) | RAB4CQ560J |
| R 1483 | (A,72,35) | RAB4CQ560J |
| R 1484 | (A,72,39) | RAB4CQ560J |
| | | |
| R 1485 | (A,55,22) | RAB4CQ560J |
| R 1486 | (A,55,28) | RAB4CQ560J |
| R 1487 | (A,56,37) | RAB4CQ560J |
| R 1488 | (A,55,40) | RAB4CQ560J |
| R 1489 | (A,54,30) | RS1/16SS560J |
| | | |
| R 1490 | (A,72,21) | RS1/16SS560J |
| R 1501 | (B,48,21) | RS1/16SS122J |
| R 1503 | (B,46,21) | RS1/16SS105J |
| R 1504 | (A,50,17) | RS1/16SS121J |
| R 1505 | (B,45,15) | RS1/16SS101J |
| | | |
| R 1506 | (B,45,14) | RS1/16SS101J |
| R 1507 | (B,43,17) | RS1/16SS101J |



Unit Number : YWX5032
Unit Name : DVD Core Unit

MISCELLANEOUS

| | | |
|---------|---------------------------------|------------------|
| IC 1002 | (B,15,13) Regulator IC | S-1133B50-U5 |
| IC 1003 | (B,37,11) IC | S-1200B50-M5 |
| IC 1004 | (B,64,28) IC | NJM2855DL1-33 |
| IC 1251 | (A,12,42) IC | BA5839FP |
| IC 1401 | (B,27,41) Flash ROM Unit | CWW5043 |
| | | |
| IC 1402 | (B,45,28) Flash ROM Unit | CWW5044 |
| IC 1480 | (A,64,30) RAM IC | M12L64164A-5TG2Y |
| IC 1501 | (A,39,33) IC | MN2DS0018MA |
| IC 1801 | (B,34,16) D/A Converter | PCM1753DBQ |
| IC 1951 | (A,28,49) Logic IC | TC7SZU04FU |
| | | |
| IC 1953 | (B,57,17) IC | S-1135D12-A6 |
| Q 1101 | (B,13,59) Transistor | LSCR523UB |
| Q 1102 | (B,13,56) Transistor | LSCR523UB |
| Q 1103 | (B,10,63) Transistor | 2SB1132 |
| Q 1104 | (B,22,54) Transistor | 2SB1132 |
| | | |
| D 1901 | (B,50,10) Diode | RSB6R8SM |
| D 1902 | (B,50,9) Diode | RSB6R8SM |
| L 1501 | (A,54,31) Inductor | CTF1743 |
| L 1511 | (A,48,17) Chip Beads | VTL1126 |
| L 1902 | (A,17,17) Inductor | CTF1487 |
| | | |
| L 1903 | (B,63,16) Inductor | CTF1558 |
| L 1904 | (A,68,18) Ferrite Bead | CTF1528 |
| X 1501 | (B,48,18) Oscillator 27.000 MHz | CSS1823 |
| X 1950 | (A,23,51) Oscillator 48.000 MHz | CSS1760 |
| F 1001 | (A,14,19) Chip EMI Filter | DTF1106 |
| | | |
| F 1002 | (B,63,18) Chip EMI Filter | DTL1106 |
| S 1 | (A,47,55) Spring Switch(HOME) | CSN1080 |

1

Circuit Symbol and No.

R 1508 (B,42,18)
 R 1509 (A,20,34)
 R 1510 (A,11,29)

2

Part No.

RS1/16SS221J
 RS1/16SS102J
 RS1/16SS102J

3

Circuit Symbol and No.

C 1003 (B,15,19)
 C 1004 (B,15,17) 4.7 uF
 C 1005 (B,40,11)

4

Part No.

CKSSYB104K16
 CCG1201
 CKSRYB105K16

A

R 1512 (A,55,32)
 R 1513 (A,23,38)
 R 1514 (A,24,40)
 R 1516 (A,24,36)
 R 1517 (B,57,22)

RS1/16SS470J
 RS1/16SS103J
 RS1/16SS183J
 RS1/16SS104J
 RS1/16SS103J

C 1010 (B,60,23)
 C 1011 (B,64,22)
 C 1015 (A,25,7)
 C 1016 (B,64,15)
 C 1018 (B,14,21)

CKSQYB225K10
 CKSRYB105K10
 CKSSYB102K50
 CKSSYB102K50
 CKSSYB104K10

R 1518 (B,33,31)
 R 1519 (A,24,43)
 R 1522 (A,21,37)
 R 1523 (A,22,37)
 R 1524 (B,29,33)

RS1/16SS103J
 RS1/16SS102J
 RS1/16SS104J
 RS1/16SS221J
 RS1/16SS472J

C 1040 (B,51,7)
 C 1041 (B,19,11)
 C 1101 (B,14,53) 10 uF
 C 1104 (B,7,57)
 C 1105 (B,18,54)

CCSRCH821J50
 CCSRCH271J50
 CCG1192
 CKSSYB104K10
 CKSSYB104K10

B

R 1525 (A,24,44)
 R 1526 (A,22,40)
 R 1527 (A,35,49)
 R 1528 (B,19,34)
 R 1529 (B,35,21)

RS1/16SS103J
 RS1/16SS103J
 RS1/16SS682J
 RS1/16SS103J
 RS1/16SS103J

C 1106 (B,8,66)
 C 1107 (B,25,53)
 C 1108 (A,19,57)
 C 1109 (A,7,57)
 C 1110 (A,17,58)

CKSSYB103K16
 CKSSYB103K16
 CKSSYB103K16
 CKSRYB224K16
 CKSSYB103K16

R 1530 (B,17,34)
 R 1531 (B,33,30)
 R 1532 (A,24,42)
 R 1534 (B,29,48)
 R 1535 (A,22,44)

RS1/16SS103J
 RS1/16SS103J
 RS1/16SS101J
 RS1/16SS221J
 RS1/16SS104J

C 1111 (A,9,66)
 C 1112 (B,17,52) 22 uF
 C 1113 (B,8,58) 22 uF
 C 1210 (B,77,34)
 C 1251 (B,12,41)

CKSRYB224K16
 DCH1256
 DCH1256
 CKSSYB104K16
 CEVW101M16

C

R 1536 (B,32,48)
 R 1537 (A,24,46)
 R 1538 (A,55,35)
 R 1539 (B,33,48)
 R 1540 (A,26,46)

RS1/16SS104J
 RS1/16SS104J
 RS1/16SS104J
 RS1/16SS104J
 RS1/16SS221J

C 1252 (B,7,41) 4.7 uF
 C 1253 (B,7,39)
 C 1254 (A,6,38)
 C 1255 (A,18,37)
 C 1401 (B,34,27)

CCG1222
 CKSSYB104K16
 CKSSYB104K16
 CKSSYB104K16
 CKSSYB104K16

R 1541 (A,26,45)
 R 1542 (B,26,34)
 R 1543 (A,32,48)
 R 1544 (A,36,48)
 R 1546 (A,33,49)

RS1/16SS221J
 RS1/16SS103J
 RS1/16SS181J
 RS1/16SS181J
 RS1/16SS682J

C 1403 (B,39,40)
 C 1404 (B,40,40) 4.7 uF
 C 1408 (B,57,27)
 C 1409 (B,58,29) 4.7 uF
 C 1410 (B,33,29)

CKSSYB104K10
 CCG1201
 CKSSYB104K10
 CCG1201
 CKSSYB104K16

D

R 1601 (A,32,17)
 R 1602 (A,32,18)
 R 1603 (B,31,21)
 R 1604 (A,23,21)
 R 1605 (A,22,23)

RS1/16SS123J
 RS1/16SS123J
 RS1/16SS1002D
 RS1/16SS105J
 RS1/16SS105J

C 1480 (A,71,19)
 C 1481 (A,72,22)
 C 1482 (A,72,26)
 C 1484 (A,72,30)
 C 1485 (A,72,41)

CKSSYB104K10
 CKSSYB104K10
 CKSSYB104K10
 CKSSYB104K10
 CKSSYB104K10

R 1670 (B,40,21)
 R 1671 (B,42,19)
 R 1672 (A,39,18)
 R 1674 (A,36,17)
 R 1801 (B,41,8)

RS1/16SS1002D
 RS1/16SS2402D
 RS1/16SS2000D
 RS1/16SS3002D
 RS1/16SS104J

C 1487 (A,57,29)
 C 1488 (A,57,25)
 C 1489 (A,64,17) 10 uF
 C 1490 (A,66,18)
 C 1501 (B,61,20) 10 uF

CKSSYB104K10
 CKSSYB104K10
 CCG1192
 CKSSYB102K50
 CCG1192

R 1802 (B,43,8)
 R 1803 (B,37,13)
 R 1804 (B,39,14)
 R 1950 (A,44,18)
 R 1951 (A,42,18)

RS1/16SS104J
 RS1/16SS821J
 RS1/16SS821J
 RS1/10SR24R0F
 RS1/10SR24R0F

C 1502 (B,54,20) 10 uF
 C 1503 (A,54,33)
 C 1504 (A,53,24)
 C 1505 (A,53,27)
 C 1506 (B,52,35)

CCG1192
 CKSSYB104K10
 CKSSYB104K10
 CKSSYB104K10
 CKSSYB104K10

E

R 1952 (A,26,50)
 R 1953 (A,26,51)
 R 1954 (A,48,5)
 R 1955 (A,50,5)
 R 1982 (A,10,62)

RS1/16SS105J
 RS1/16SS821J
 RS1/16SS153J
 RS1/16SS153J
 RS1/16SS822J

C 1507 (A,53,36)
 C 1508 (A,53,39)
 C 1509 (A,53,42)
 C 1510 (B,51,18)
 C 1511 (A,48,18)

CKSSYB104K10
 CKSSYB104K10
 CKSSYB104K10
 CCSSCH100D50
 CKSSYB104K10

R 1983 (B,40,20)
 R 1987 (B,43,21)

RS1/16SS1000D
 RS1/16SS0R0J

C 1512 (B,45,18)
 C 1513 (A,48,48)
 C 1514 (B,45,21)
 C 1515 (A,45,18)
 C 1516 (A,43,48)

CCSSCH100D50
 CKSSYB104K10
 CKSSYB104K10
 CKSSYB104K10
 CKSSYB104K10

F

CAPACITORS

C 1001 (B,34,10)
 C 1002 (B,12,17)

CKSRYB105K10
 CKSSYB104K16

C 1517 (A,42,48)
 C 1518 (A,38,48)

CKSSYB104K10
 CKSSYB104K10

| 5 | | 6 | | 7 | | 8 | | |
|--|------------------|-----------------|------------------|-------------------------------|-------------------|-----------------|--------|-----------|
| <u>Circuit Symbol and No.</u> | | <u>Part No.</u> | | <u>Circuit Symbol and No.</u> | | <u>Part No.</u> | | |
| C 1519 | (A,34,47) | CKSSYB104K10 | Q 5101 | (A,30,61) | Transistor | LTC014EEB | | |
| C 1520 | (A,27,47) | CKSSYB104K10 | Q 5103 | (A,13,28) | Transistor | LSAR523UB | | |
| C 1521 | (A,24,34) | CKSSYB104K10 | Q 5106 | (A,24,76) | Transistor | 2SA1577 | | |
| C 1522 | (A,25,38) | CKSSYB104K10 | Q 5401 | (A,101,42) | Chip Transistor | HN1C01FU | A | |
| C 1523 | (A,20,46) | CKSSYB224K6R3 | Q 5402 | (A,99,45) | Transistor | LSCR523UB | | |
| C 1524 | (A,20,48) | CKSSYB473K16 | D 5101 | (A,17,71) | Diode | RB162M-40 | | |
| C 1526 | (A,24,37) | CKSSYB103K16 | D 5103 | (A,32,75) | Diode | DB3S308F0 | | |
| C 1528 | (B,30,48) | CCSSCH471J50 | D 5104 | (A,34,75) | Diode | DB3S308F0 | | |
| C 1601 | (A,32,19) | CKSSYB103K16 | D 5105 | (A,34,67) | Diode | DB3S308F0 | | |
| C 1602 | (A,34,17) | CCSSCH101J50 | D 5132 | (A,72,49) | Diode | CRG03 | | |
| C 1603 | (A,33,18) | CCSSCH101J50 | D 5201 | (A,111,56) | Diode | RB060M-30 | | |
| C 1604 | (A,30,17) | CCSSCH680J50 | L 5001 | (A,9,46) | Inductor | CTF1635 | | |
| C 1605 | (A,30,18) | CCSSCH680J50 | L 5002 | (A,9,52) | Chip Inductor | DTL1096 | | |
| C 1606 | (A,35,19) | CKSSYB104K10 | L 5003 | (A,21,44) | Chip Inductor | DTL1096 | B | |
| C 1607 | (A,20,24) 10 uF | CCG1192 | L 5004 | (A,14,36) | Chip Ferrite Bead | BTX1042 | | |
| C 1608 | (A,28,18) 4.7 uF | CCG1201 | L 5101 | (A,21,73) | Choke Coil 22 uH | CTH1426 | | |
| C 1609 | (A,26,22) | CKSSYB104K10 | L 5102 | (A,8,32) | Inductor | LCTAW101J2520 | | |
| C 1612 | (A,24,24) | CKSSYB104K10 | L 5202 | (A,106,58) | Inductor | CTH1526 | | |
| C 1613 | (A,24,25) | CKSSYB104K10 | L 5205 | (A,109,62) | Chip Beads | VTL1128 | | |
| C 1614 | (A,22,24) | CKSSYB104K10 | L 5303 | (A,112,18) | Chip Beads | VTL1134 | | |
| C 1615 | (A,23,26) | CKSSYB104K10 | TH5201 | (A,104,15) | Thermistor | CCX1058 | | |
| C 1616 | (A,24,27) | CKSSYB104K10 | CN5001 | (A,34,32) | Connector | CKS6536 | | |
| C 1617 | (B,27,28) | CKSSYB104K10 | CN5202 | (A,127,31) | Connector | CKS6523 | | |
| C 1618 | (A,22,29) | CCSSCH101J50 | CN5301 | (A,121,17) | Connector | CKS6548 | | |
| C 1619 | (A,23,30) | CKSSYB562K25 | CN5401 | (A,58,69) | Connector | CKS6536 | C | |
| C 1620 | (B,27,30) | CKSSYB224K6R3 | CN5402 | (A,113,42) | Connector | CKS6063 | | |
| C 1621 | (A,22,31) | CKSSYB224K6R3 | RESISTORS | | | | | |
| C 1622 | (A,24,31) | CKSSYB333K16 | | | | | R 5001 | (A,60,18) |
| C 1623 | (A,27,20) | CKSRYB105K10 | R 5002 | (A,62,18) | RS1/16SS56R0D | | | |
| C 1624 | (A,24,32) | CKSSYB104K10 | R 5003 | (A,61,20) | RS1/16SS1800D | | | |
| C 1625 | (A,24,29) | CKSSYB104K10 | R 5004 | (A,60,21) | RS1/16SS2R2J | | | |
| C 1671 | (A,41,18) | CKSSYB104K10 | R 5005 | (A,61,22) | RS1/16SS47R0D | | | |
| C 1673 | (A,37,19) | CKSSYB104K10 | R 5006 | (A,60,22) | RS1/16SS0R0J | | | |
| C 1674 | (B,42,20) | CKSSYB104K10 | R 5007 | (A,61,23) | RS1/16SS39R0D | | | |
| C 1676 | (B,38,21) | CKSRYB105K10 | R 5008 | (A,60,24) | RS1/16SS4R7J | D | | |
| C 1801 | (B,42,10) 4.7 uF | CCG1201 | R 5009 | (A,61,25) | RS1/16SS1000D | | | |
| C 1802 | (B,46,10) 4.7 uF | CCG1201 | R 5010 | (A,60,26) | RS1/16SS8R2J | | | |
| C 1803 | (B,42,12) | CCSRCH182J50 | R 5011 | (A,61,27) | RS1/16SS1300D | | | |
| C 1804 | (B,45,12) | CCSRCH182J50 | R 5012 | (A,60,28) | RS1/16SS0R0J | | | |
| C 1805 | (B,34,13) | CKSSYB104K10 | R 5013 | (A,61,29) | RS1/16SS1000D | | | |
| C 1806 | (B,32,13) 10 uF | CCG1192 | R 5014 | (A,60,30) | RS1/16SS8R2J | | | |
| C 1809 | (B,39,16) | CKSSYB104K10 | R 5015 | (A,61,31) | RS1/16SS39R0D | | | |
| C 1950 | (A,27,51) | CKSSYB104K10 | R 5016 | (A,61,33) | RS1/16SS4R7J | | | |
| C 1951 | (A,23,54) | CCSSCH100D50 | R 5017 | (A,64,33) | RS1/16SS47R0D | | | |
| C 1952 | (A,24,48) | CCSSCH100D50 | R 5018 | (A,66,33) | RS1/16SS0R0J | | | |
| C 1953 | (B,60,17) | CKSRYB105K10 | R 5019 | (A,67,33) | RS1/16SS1800D | E | | |
| C 1954 | (B,54,17) | CKSRYB105K10 | R 5020 | (A,69,33) | RS1/16SS2R2J | | | |
| C 1955 | (B,77,40) | CKSSYB104K16 | R 5021 | (A,70,32) | RS1/16SS33R0D | | | |
| D Unit Number : CXX6055 Unit Name : Service Unit(Monitor) | | | | R 5022 | (A,70,30) | RS1/16SS2R4J | | |
| | | | | R 5024 | (B,30,35) | RS1/16SS473J | | |
| | | | | R 5026 | (B,24,35) | RS1/16SS473J | | |
| | | | | R 5028 | (B,25,33) | RS1/16SS473J | | |
| | | | | R 5029 | (B,26,35) | RS1/16SS473J | | |
| | | | | R 5101 | (A,17,60) | RS1/16SS103J | | |
| | | | | R 5103 | (A,24,61) | RS1/16SS203J | | |
| | | | | R 5104 | (A,25,60) | RS1/16SS104J | F | |
| | | | | R 5106 | (A,27,63) | RS1/16SS472J | | |
| | | | | R 5107 | (A,21,70) | RS1/16SS0R0J | | |

MISCELLANEOUS

| | | |
|---------|------------------------|--------------|
| IC 5101 | (A,25,67) IC | R1290K103A |
| IC 5102 | (A,71,40) Regulator IC | MM3479A33P |
| IC 5201 | (A,110,69) IC | BD81A04EFV-M |
| IC 5301 | (A,114,26) IC | AK4187VN |

1

Circuit Symbol and No.

R 5108 (A,24,73)
 R 5109 (A,30,63)
 R 5110 (A,28,64)

A

R 5111 (A,28,63)
 R 5112 (B,65,79)
 R 5116 (A,21,63)
 R 5117 (A,21,62)
 R 5122 (A,9,28)

■

R 5124 (A,10,28)
 R 5125 (A,13,30)
 R 5126 (A,14,30)
 R 5128 (A,15,35)
 R 5129 (A,15,32)

B

R 5134 (A,16,62)
 R 5135 (A,19,62)
 R 5136 (A,18,62)
 R 5140 (A,30,67)
 R 5141 (A,30,66)

■

R 5142 (A,31,69)
 R 5143 (A,29,69)
 R 5144 (B,23,68)
 R 5202 (A,113,76)
 R 5203 (A,114,76)

C

R 5205 (B,108,66)
 R 5206 (B,108,67)
 R 5207 (A,97,74)
 R 5212 (B,106,65)
 R 5213 (B,106,66)

■

R 5219 (A,103,74)
 R 5220 (A,103,73)
 R 5222 (A,74,63)
 R 5223 (A,132,71)
 R 5225 (A,112,60)

D

R 5302 (B,119,21)
 R 5304 (A,109,27)
 R 5305 (A,109,28)
 R 5306 (A,119,25)
 R 5307 (A,118,25)

■

R 5308 (A,118,27)
 R 5309 (B,110,27)
 R 5310 (B,117,25)
 R 5311 (A,109,29)
 R 5312 (A,119,26)

E

R 5318 (B,111,24)
 R 5401 (A,102,45)
 R 5402 (A,103,45)
 R 5405 (A,100,40)
 R 5406 (A,99,40)

■

R 5409 (A,97,44)
 R 5410 (A,96,44)
 R 5413 (A,99,42)
 R 5414 (A,101,39)
 R 5415 (A,96,46)

F

R 5416 (A,39,60)
 R 5417 (A,40,61)
 R 5418 (A,41,60)
 R 5419 (A,42,61)
 R 5420 (A,44,61)

R 5421 (A,44,58)
 R 5422 (A,43,57)

2

Part No.

RS1/16SS103J
 RS1/16SS1502D
 RS1/16SS8201D

RS1/16SS1502D
 RS1/16SS0R0J
 RS1/16SS3001D
 RS1/16SS1502D
 RS1/16SS472J

RS1/16SS105J
 RS1/16SS682J
 RS1/16SS0R0J
 RS1/16SS101J
 RS1/16SS0R0J

RS1/16SS0R0J
 RS1/16SS1203D
 RS1/16SS472J
 RS1/16SS9102D
 RS1/16SS1802D

RS1/16SS1003D
 RS1/16SS9101D
 RS1/16SS0R0J
 RS1/16SS273J
 RS1/16SS511J

RS1/16SS1503D
 RS1/16SS1003D
 RS1/16SS101J
 RS1/16SS3603D
 RS1/16SS2402D

RS1/16SS104J
 RS1/16SS154J
 RS1/10SR0R0J
 RS1/10SR0R0J
 RS1/8SQ2R2J

RS1/16SS201J
 RS1/16SS472J
 RS1/16SS472J
 RS1/16SS0R0J
 RS1/16SS621J

RS1/16SS181J
 RS1/16SS101J
 RS1/16SS0R0J
 RS1/16SS101J
 RS1/16SS620J

RS1/16SS101J
 RS1/16SS680J
 RS1/16SS560J
 RS1/16SS680J
 RS1/16SS560J

RS1/16SS680J
 RS1/16SS560J
 RS1/16SS103J
 RS1/16SS103J
 RS1/16SS103J

RS1/16SS0R0J
 RS1/16SS0R0J
 RS1/16SS0R0J
 RS1/16SS0R0J
 RS1/16SS270J

RS1/16SS0R0J
 RS1/16SS270J

3

Circuit Symbol and No.

R 5423 (A,45,58)
 R 5424 (A,45,57)
 R 5425 (A,47,58)

R 5426 (A,47,56)
 R 5427 (A,48,58)
 R 5428 (A,48,56)
 R 5429 (A,50,58)
 R 5430 (A,50,56)

R 5431 (A,51,58)
 R 5432 (A,51,56)
 R 5433 (A,52,56)
 R 5434 (A,53,58)
 R 5435 (A,54,56)

R 5436 (A,55,58)
 R 5437 (A,55,56)
 R 5438 (A,56,58)
 R 5439 (A,57,56)
 R 5440 (A,59,58)

CAPACITORS

C 5009 (A,63,27)
 C 5010 (A,63,28)
 C 5011 (A,63,29)
 C 5012 (A,63,30)

C 5021 (A,31,37)
 C 5023 (A,31,39)
 C 5025 (A,15,47) 10 uF
 C 5026 (A,8,44)

C 5029 (A,28,38)
 C 5030 (A,28,39)
 C 5031 (A,9,50) 10 uF
 C 5034 (A,22,40)
 C 5035 (A,21,42) 4.7 uF

C 5037 (A,17,43)
 C 5039 (A,20,38)
 C 5040 (A,17,37)
 C 5042 (A,16,33)
 C 5101 (A,20,78) 4.7 uF

C 5102 (A,21,67)
 C 5103 (A,20,66) 1 uF
 C 5104 (A,21,60)
 C 5105 (A,23,60)
 C 5106 (A,28,60)

C 5107 (A,24,62)
 C 5109 (A,32,63)
 C 5110 (A,35,64)
 C 5111 (A,15,64) 10 uF
 C 5112 (A,15,67) 10 uF

C 5113 (A,21,64)
 C 5114 (A,11,28)
 C 5115 (A,8,30) 10 uF
 C 5116 (A,69,44) 4.7 uF
 C 5117 (A,73,44) 4.7 uF

C 5118 (A,60,63)
 C 5120 (A,33,72)
 C 5121 (A,35,72)
 C 5122 (A,32,67)
 C 5123 (A,35,66)

4

Part No.

RS1/16SS270J
 RS1/16SS270J
 RS1/16SS270J

RS1/16SS270J
 RS1/16SS270J
 RS1/16SS270J
 RS1/16SS270J
 RS1/16SS270J

RS1/16SS270J
 RS1/16SS270J
 RS1/16SS270J
 RS1/16SS270J
 RS1/16SS270J

RS1/16SS270J
 RS1/16SS270J
 RS1/16SS270J
 RS1/16SS270J
 RS1/16SS0R0J

CKSSYB102K50
 CKSSYB104K16
 CKSSYB102K50
 CKSSYB104K16

CKSSYB102K50
 CKSSYB104K16
 CCG1236
 CKSSYB102K50

CKSSYB102K50
 CKSSYB104K10
 CCG1192
 CKSSYB104K16
 CCG1201

CKSQYB225K16
 CKSRYB104K50
 CKSQYB334K50
 CKSSYB104K16
 CCG1201

CKSSYB102K50
 DCH1246
 CKSSYB123K16
 CKSSYB104K10
 CKSRYB105K10

CKSSYB682K25
 CCSSCH101J50
 CKSSYB122K50
 CCG1236
 CCG1236

CKSSYB471K50
 CKSSYB104K16
 CCG1236
 CCG1201
 CCG1201

CKSSYB104K10
 CKSQYB105K25
 CKSQYB105K25
 CKSRYB105K10
 CKSRYB104K50

5 **Circuit Symbol and No.**

6 **Part No.**

| | | | |
|--------|------------|--------|--------------|
| C 5124 | (A,31,77) | | CKSQYB474K25 |
| C 5125 | (A,34,77) | | CKSQYB474K25 |
| C 5127 | (A,28,73) | | CKSYB475K16 |
| C 5128 | (A,74,38) | | CKSSYB104K10 |
| C 5140 | (A,31,70) | | CKSSYB561K50 |
| | | | |
| C 5203 | (B,110,66) | 2.2 uF | CCG1218 |
| C 5204 | (A,115,76) | | CKSSYB104K10 |
| C 5205 | (A,101,62) | 10 uF | CCG1236 |
| C 5206 | (A,114,77) | | CKSSYB104K10 |
| C 5208 | (A,116,56) | 10 uF | CCG1236 |
| | | | |
| C 5209 | (A,104,17) | | CKSSYB104K10 |
| C 5211 | (A,118,56) | 10 uF | CCG1236 |
| C 5212 | (A,122,63) | | CCSSCH101J50 |
| C 5213 | (A,79,65) | | CKSSYB104K16 |
| C 5214 | (A,116,74) | | CKSSYB104K16 |
| | | | |
| C 5215 | (A,114,60) | | CKSSYB332K50 |
| C 5301 | (A,113,21) | 10 uF | CCG1192 |
| C 5302 | (A,108,24) | 10 uF | CCG1192 |
| C 5303 | (A,114,23) | | CKSSYB104K10 |
| C 5304 | (A,110,25) | | CKSSYB104K10 |
| | | | |
| C 5305 | (B,123,25) | | CKSSYB103K16 |
| C 5306 | (B,116,25) | | CKSSYB103K16 |
| C 5307 | (A,117,24) | | CKSSYB103K16 |
| C 5308 | (B,121,21) | | CKSSYB103K16 |
| C 5314 | (A,106,23) | | CKSSYB104K10 |
| | | | |
| C 5401 | (A,68,64) | | CKSSYB104K10 |



Unit Number : CXX6059

Unit Name : Service Unit(Keyboard)

MISCELLANEOUS

| | | | |
|---------|-----------|------------------|-----------------|
| IC 4801 | (A,9,90) | IR RC REC Module | PNJ4833M |
| D 4801 | (A,14,43) | LED | SMLVN6RGB2UK(B) |
| S 4801 | (A,12,18) | Push Switch | CSG1155 |
| S 4802 | (A,12,7) | Push Switch | CSG1155 |
| S 4803 | (A,12,28) | Push Switch | CSG1155 |
| | | | |
| S 4804 | (A,8,43) | Push Switch | CSG1155 |
| S 4805 | (A,23,93) | Push Switch | CSG1155 |
| S 4806 | (A,12,58) | Push Switch | CSG1155 |
| S 4807 | (A,12,79) | Push Switch | CSG1155 |
| S 4808 | (A,12,69) | Push Switch | CSG1155 |
| | | | |
| S 4809 | (A,17,93) | Push Switch | CSG1155 |
| CN4801 | (B,14,43) | Connector | CKS6063 |

RESISTORS

| | | | |
|--------|-----------|--|--------------|
| R 4801 | (B,8,72) | | RS1/16SS470J |
| R 4802 | (A,10,12) | | RS1/16SS222J |
| R 4803 | (A,9,13) | | RS1/16SS472J |
| R 4804 | (A,7,38) | | RS1/16SS123J |
| R 4805 | (A,15,63) | | RS1/16SS182J |
| | | | |
| R 4806 | (A,14,65) | | RS1/16SS222J |
| R 4807 | (A,14,72) | | RS1/16SS472J |
| R 4808 | (A,10,13) | | RS1/16SS182J |

CAPACITORS

| | | | |
|--------|-----------|-------|---------|
| C 4805 | (B,11,91) | 10 uF | CCG1192 |
|--------|-----------|-------|---------|