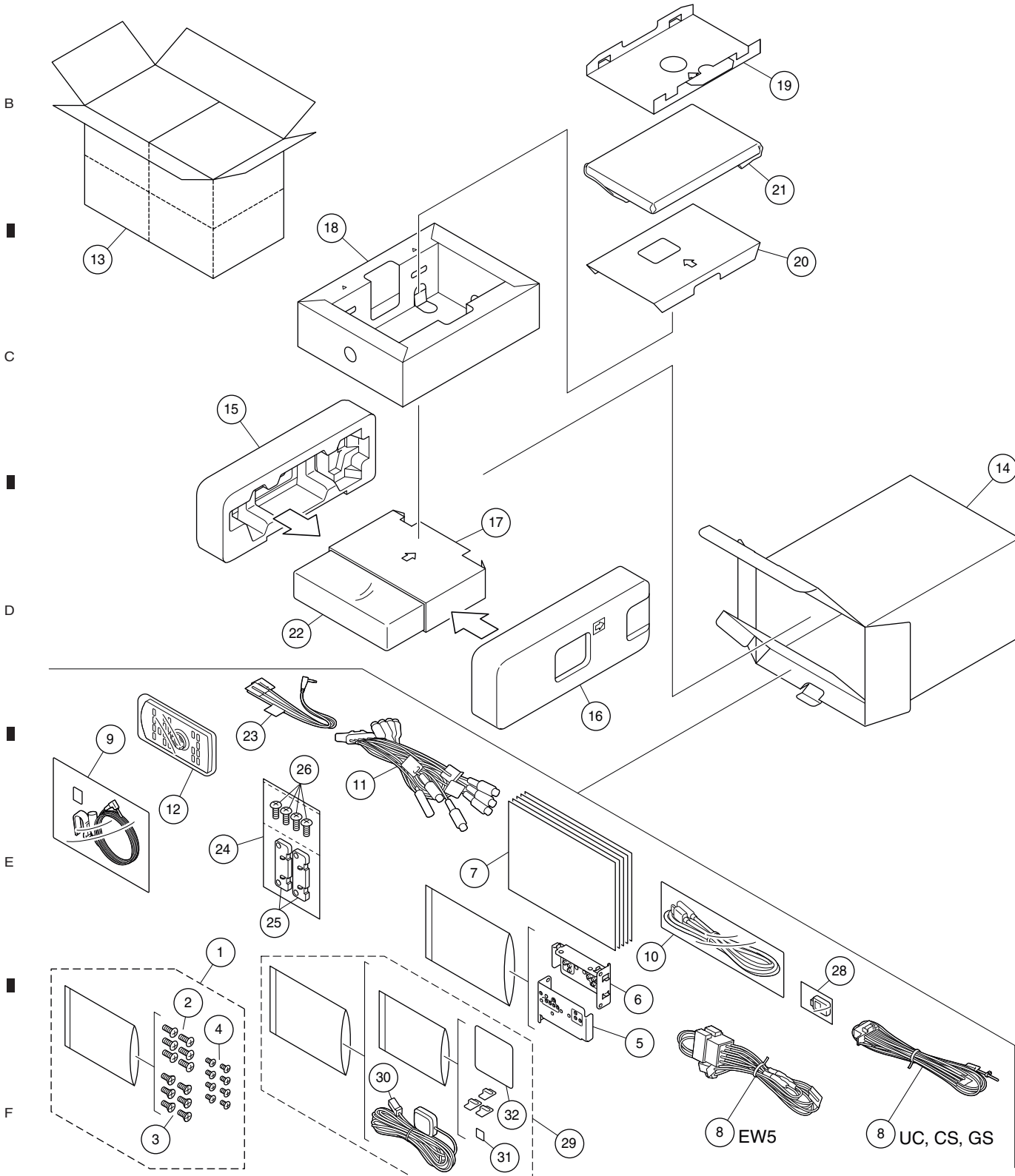


# 9. EXPLODED VIEWS AND PARTS LIST

NOTES : • Parts marked by "\*" are generally unavailable because they are not in our Master Spare Parts List.

- The  $\Delta$  mark found on some component parts indicates the importance of the safety factor of the part. Therefore, when replacing, be sure to use parts of identical designation.
- Screw adjacent to  $\nabla$  mark on the product are used for disassembly.
- For the applying amount of lubricants or glue, follow the instructions in this manual. (In the case of no amount instructions, apply as you think it appropriate.)

## 9.1 PACKING



**(1) PACKING SECTION PARTS LIST**

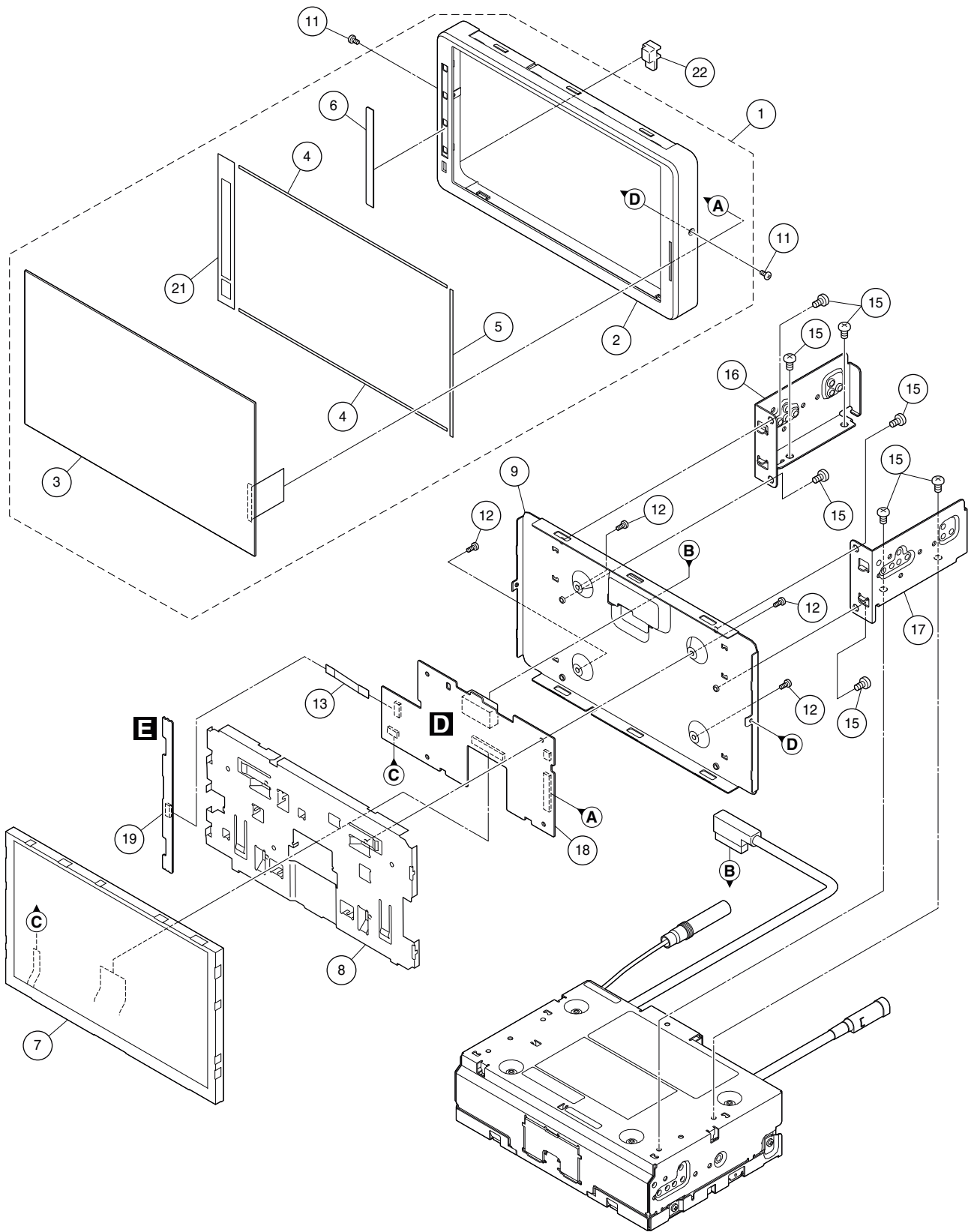
<u>Mark No.</u>	<u>Description</u>	<u>Part No.</u>	<u>Mark No.</u>	<u>Description</u>	<u>Part No.</u>
1	Accessory Assy	See Contrast table (2)	15	Protector	CHP4684
2	Screw	BMZ50P080FTC	16	Protector	CHP4685
3	Screw	See Contrast table (2)	17	Protector	CHP5689
4	Screw	BMZ40P050FTC	18	Protector	CHP5802
5	Holder	CND8086	19	Protector	CHP5691
6	Holder	CND8087	20	Protector	CHP5803
7-1	Quick Start Guide	See Contrast table (2)	21	Cover	See Contrast table (2)
7-2	Installation Manual	See Contrast table (2)	22	Polyethylene Bag	See Contrast table (2)
* 7-3	Warranty Card	See Contrast table (2)	23	Cord Assy	See Contrast table (2)
7-4	Owner's Manual	See Contrast table (2)	24	Accessory Assy	See Contrast table (2)
* 7-5	Caution Card	See Contrast table (2)	25	Spacer	See Contrast table (2)
* 7-6	Caution Card	CRP1543	26	Screw (M4 x 10)	See Contrast table (2)
8	Cord Assy	See Contrast table (2)	27	•••••	
9	Microphone Assy (3 m)	CPM1113	28	Adapter	CDP1884
10	USB Extended Cable	CDP1881	29	GPS Antenna Assy	CXF1333
11	Cord Assy	CDP1888	30	GPS Antenna	CYX1104
12	Card Remote Control Unit	See Contrast table (2)	31	DS Tape	CYN1012
13	Contain Box	See Contrast table (2)	32	Grand Sheet	CZN7151
14	Unit Box	See Contrast table (2)			

**(2) CONTRAST TABLE**

DMH-WC6600NEX/XNUC, SPH-EVO93DAB/XNEW5, DMH-ZS9350BT/XNCS and DMH-ZS9350BT/XNGS are constructed the same except for the following:

Mark	No.	Description	DMH-WC6600NEX/ XNUC	SPH-EVO93DAB/ XNEW5	DMH-ZS9350BT/ XNCS	DMH-ZS9350BT/ XNGS
	1	Accessory Assy	CEW7544	CEW7544	CEW7543	CEW7543
	3	Screw	CMZ50P080FTC	CMZ50P080FTC	Not used	Not used
	7-1	Quick Start Guide	CRD5179	CRD5178	CRD5182 (Owner's Manual)	CRD5183
	7-2	Installation Manual	CRD5181	CRD5180	Not used	Not used
*	7-3	Warranty Card	QRY3001	CRY1376	Not used	Not used
	7-4	Owner's Manual	See Contents of Web IM (3)	See Contents of Web IM (3)	See Contents of Web IM (3)	See Contents of Web IM (3)
*	7-5	Caution Card	Not used	CRP1481	Not used	Not used
	8	Cord Assy	CDP1666	CDP1901	CDP1666	CDP1666
	12	Card Remote Control Unit	CXE5116	Not used	CXE5116	CXE5116
	13	Contain Box	CHL9831	CHL9832	CHL9833	CHL9834
	14	Unit Box	CHG9748	CHG9749	CHG9750	CHG9751
	21	Cover	CEG1419	CEG1356	CEG1356	CEG1356
	22	Polyethylene Bag	CEG1173	QEG3001	QEG3001	QEG3001
	23	Cord Assy	Not used	Not used	CDP1894	CDP1894
	24	Accessory Assy	Not used	Not used	CEW8270	CEW8270
	25	Spacer	Not used	Not used	CNU4409	CNU4409
	26	Screw (M4 x 10)	Not used	Not used	CBA2412	CBA2412

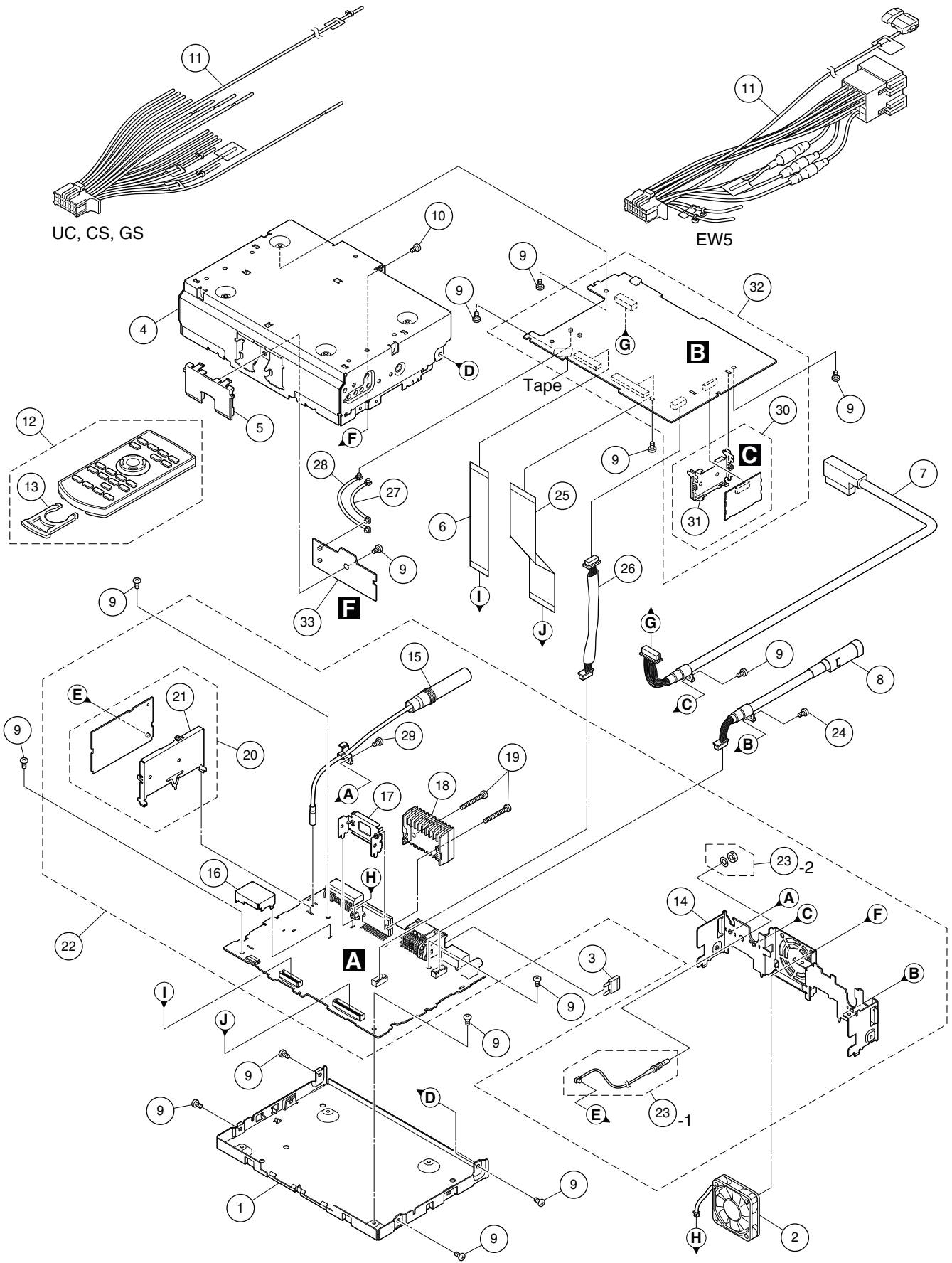
# 9.2 EXTERIOR (1)



## EXTERIOR (1) SECTION PARTS LIST

<u>Mark No.</u>	<u>Description</u>	<u>Part No.</u>
A	1 Grille Assy	CXF2621
	2 Grille	CNU4441
	3 Touch Panel	CSX1412
	4 DS Tape	CNN5751
	5 DS Tape	CNN5796
	6 Light-D Sheet	CNN5753
	7 TFT LCD	CWX5040
	8 Holder	CND8204
	9 Case	CNB4116
	10 .....	
B	11 Screw (M2 x 3)	CBA1877
	12 Screw	BSZ26P060FTC
	13 FFC	CDD1313
	14 .....	
	15 Screw	BMZ40P050FTC
	16 Holder	CND8087
	17 Holder	CND8086
	18 Service Unit (Monitor)	CXY5433
	19 Service Unit (ILM)	CXY6664
	20 .....	
C	21 DS Tape	CNN5797
	22 Lighting Conductor	CNW4094
D		
E		
F		

# 9.3 EXTERIOR (2)



1 2 3 4

**(1) EXTERIOR (2) SECTION PARTS LIST**

<u>Mark No.</u>	<u>Description</u>	<u>Part No.</u>	<u>Mark No.</u>	<u>Description</u>	<u>Part No.</u>
1	Chassis	CNA3470	17	Holder	CND7490
2	Fan Motor	CXM1476	18	Heat Sink	CNR2181
3	Fuse (10 A)	YEK5001	19	Screw	BSZ26P160FTC
4	Case	CNB4077	20	WWR Unit (U4001)	See Contrast table (2)
5	Cover	CNU4252	21	Holder	See Contrast table (2)
6	FFC	CDD1307	22	Service Unit (AV)	See Contrast table (2)
7	Cord Assy	CDF1358	23	Antenna Cable Assy	See Contrast table (2)
8	Cord Assy	See Contrast table (2)	24	Screw	See Contrast table (2)
9	Screw	BSZ26P060FTC	25	FFC	CDD1308
10	Screw	BPZ30P080FTC	26	Cord Assy	CDF1396
11	Cord Assy	See Contrast table (2)	27	Coaxial Cable	CDF1399
12	Card Remote Control Unit	See Contrast table (2)	28	Coaxial Cable	CDF1400
13	Battery Cover	See Contrast table (2)	29	Screw	BSZ26P060FTC
14	Holder	See Contrast table (2)	30	CHIPS C Unit	CWX4989
15	Antenna Cable	CDH1409	31	Holder	CND6958
16	Shield Case	CND7762	32	Service Unit (Media)	See Contrast table (2)
			33	Service Unit (Antenna)	CXY6663

**(2) CONTRAST TABLE**

DMH-WC6600NEX/XNUC, SPH-EVO93DAB/XNEW5, DMH-ZS9350BT/XNCS and DMH-ZS9350BT/XNGS are constructed the same except for the following:

Mark	No.	Description	DMH-WC6600NEX/ XNUC	SPH-EVO93DAB/ XNEW5	DMH-ZS9350BT/ XNCS	DMH-ZS9350BT/ XNGS
	8	Cord Assy	CDF1290	Not used	Not used	Not used
	11	Cord Assy	CDP1666	CDP1901	CDP1666	CDP1666
	12	Card Remote Control Unit	CXE5116	Not used	CXE5116	CXE5116
	13	Battery Cover	CNU1624	Not used	CNU1624	CNU1624
	14	Holder	CND8069	CND8070	CND8073	CND8073
	20	WWR Unit (U4001)	CWE2590	CWE2571	Not used	Not used
	21	Holder	CND6449	CND7288	Not used	Not used
	22	Service Unit (AV)	CXY5423	CXY5424	CXY5426	CXY5427
	23	Antenna Cable Assy	Not used	CXE7975	Not used	Not used
	24	Screw	BSZ26P060FTC	Not used	Not used	Not used
	32	Service Unit (Media)	CXY5428	CXY5429	CXY5431	CXY5432

# 12. ELECTRICAL PARTS LIST

NOTE:

- Parts whose parts numbers are omitted are subject to being not supplied.
- The part numbers shown below indicate chip components.

Chip Resistor

RS1/OS○○○○J,RS1/○○S○○○○J

Chip Capacitor (except for CQS.....)

CKS....., CCS....., CSZS.....

- Parts marked by " \* " are generally unavailable because they are not in our Master Spare Parts List.
- The  $\Delta$  mark found on some component parts indicates the importance of the safety factor of the part. Therefore, when replacing, be sure to use parts of identical designation.
- The expression of the unit in this manual is shown by u instead of  $\mu$ . Please do not make a mistake.

- A: DMH-WC6600NEX/XNUC**  
**B: SPH-EVO93DAB/XNEW5**  
**C: DMH-ZS9350BT/XNCS**  
**D: DMH-ZS9350BT/XNGS**

## A

- Unit Number: CXY5423 (A)**  
**Unit Number: CXY5424 (B)**  
**Unit Number: CXY5426 (C)**  
**Unit Number: CXY5427 (D)**  
**Unit Name : Service Unit (AV)**

### MISCELLANEOUS

IC 1	IC	NJM12904V
IC 101	Regulator IC	NJW4181U3-33B
IC 102	Regulator IC	BD00FC0EEFJ
IC 103	Regulator IC	MM3702A33P
IC 104	IC	NJM2387ADL3
IC 201	Regulator IC (B)	MM3702A33P
IC 202	Regulator IC (A, B)	MM3702A12P
IC 203	Regulator IC (B)	MM3702A33P
IC 204	Regulator IC	MM3702A33P
IC 205	Regulator IC (A, B)	MM3702A33P
IC 206	Regulator IC (A)	MM3411A33N
IC 301	DC/DC CONV IC	KBD9876EFJ
IC 351	DC/DC CONV IC	KBD9876EFJ
*IC 401	Flash Blank UC IC	MN103LFA5RXW
IC 601	Video SW IC	CA0025AN
IC 701	Audio DSP SYS LSI	AK7738VQ
IC 702	Logic IC	TC7WH34FKS1
IC 703	Logic IC	TC7SH32FUS2
IC 801	CONV IC	WM8761BGED
IC 802	CONV IC	WM8761BGED
IC 803	CONV IC	WM8761BGED
IC 901	OP AMP IC (A)	NJM8065RB1
IC 1001	E-VOL SYS LSI	PRS492NX-M
IC 1002	IC (A)	TC4053BFT
IC 1101	OP AMP IC	NJW1240V
IC 1201	Logic IC	TC7SH32FUS2
IC 1403	Logic IC (A)	TC7SET08FUS3

<u>Circuit Symbol and No.</u>	<u>Part No.</u>	<u>Circuit Symbol and No.</u>	<u>Part No.</u>
IC 1404	Logic IC (A)	IC 1404	TC7SH08FUS2
IC 8401	Tuner IC (A)	IC 8401	TEF6688AHN
IC 8401	Tuner IC (B, C, D)	IC 8401	TEF6688AHN
IC 9201	Power AMP IC	IC 9201	TCB501HQ
Q 1	Resistor Built-IN TR	Q 1	LTC014EEB
Q 2	Bipolar TR	Q 2	HN1C01FUS1
Q 3	Resistor Built-IN TR	Q 3	LTC014EEB
Q 4	Bipolar TR	Q 4	HN1C01FUS1
Q 5	Bipolar TR	Q 5	LSAR523UB
Q 6	Bipolar TR	Q 6	LSAR523UB
Q 7	Resistor Built-IN TR	Q 7	LTC014EEB
Q 8	Resistor Built-IN TR	Q 8	LTC014EEB
Q 101	Bipolar TR	Q 101	LSCR523UB
Q 102	Resistor Built-IN TR	Q 102	LTC014EEB
Q 103	Bipolar TR	Q 103	LSAR523UB
Q 104	Resistor Built-IN TR	Q 104	LTC014EEB
Q 201	Transistor (B)	Q 201	2SD2153
Q 202	Transistor (B)	Q 202	2SAR293PGZE
Q 203	Resistor Built-IN TR (B)	Q 203	LTC014EEB
Q 401	Bipolar TR (B, C, D)	Q 401	LSCR523UB
Q 402	Resistor Built-IN TR (C, D)	Q 402	RN4982S1
Q 403	Resistor Built-IN TR (C, D)	Q 403	RN4982S1
Q 404	Resistor Built-IN TR (C, D)	Q 404	RN4982S1
Q 405	Resistor Built-IN TR (C, D)	Q 405	RN4982S1
Q 901	Resistor Built-IN TR	Q 901	LTC014EEB
Q 902	Resistor Built-IN TR	Q 902	LTC014EEB
Q 1001	Resistor Built-IN TR (A)	Q 1001	LTC014EEB
Q 1002	Resistor Built-IN TR (A)	Q 1002	LTC014EEB
Q 1003	Resistor Built-IN TR (A)	Q 1003	LTC014EEB
Q 1101	Resistor Built-IN TR	Q 1101	LTC044EEB
Q 1201	Resistor Built-IN TR	Q 1201	LTC043ZEB
Q 1701	Transistor (B, C, D)	Q 1701	UMF23N
D 1	Diode	D 1	D1F60-5053
D 2	Diode	D 2	D1F60-5053
D 3	Zener Diode	D 3	UDZV6R2(B)
D 4	Zener Diode	D 4	UDZV6R8(B)
D 5	Switching Diode	D 5	1SS355VM
D 6	Zener Diode	D 6	UDZV5R6(B)
D 8	Switching Diode	D 8	1SS355VM
D 9	Switching Diode	D 9	1SS355VM
D 10	Schottky Diode	D 10	RB080LAM-30TF
D 11	Switching Diode	D 11	1SS355VM
D 13	Switching Diode	D 13	1SS355VM
D 14	Zener Diode	D 14	ST70-27FZ

5  
**Circuit Symbol and No.**

D	201	Zener Diode (B)
D	203	Rectifier Diode (A, B)
D	204	Rectifier Diode (A, B)
D	301	Schottky Diode
D	351	Schottky Diode
D	401	Schottky Diode
D	402	Schottky Diode
D	1701	Diode
D	1702	Diode
D	1703	Diode
D	1704	Diode
D	1706	Diode
D	1707	Diode
D	1708	Diode
D	1709	Diode
D	1710	Diode
D	1712	Diode
D	1713	Diode
D	1714	Diode
D	1715	Diode
D	8451	Diode
D	8452	Diode
D	8453	Zener Diode
L	1	Choke Coil 120 uH
L	5	Choke Coil 3.6 uH (B, D)
L	301	SMD SPL Inductor
L	351	Choke Coil 6.8 uH
L	801	Inductor
L	802	Inductor
L	803	Inductor
L	1001	Inductor
L	1002	Inductor
L	1301	Inductor (B)
L	1705	Chip Beads
L	1706	Chip Beads
L	1707	Chip Beads
L	1708	Chip Beads
L	1709	Chip Beads
L	1710	Chip Beads
L	1711	Chip Beads
L	1712	Chip Beads
L	1713	Chip Beads
L	1714	Chip Beads
L	1715	Chip Beads
L	1716	Chip Beads
L	1717	Chip Beads
L	1718	Chip Beads
L	1719	Chip Beads
L	1720	Chip Beads
L	1721	Chip Beads
L	1722	SMD Ferrite Beads
L	1723	Chip Beads
L	1724	Chip Beads
L	1725	Chip Beads
L	1726	Chip Beads
L	1728	Chip Beads
L	8401	SMD Ferrite Beads
L	8403	Inductor
L	8405	Inductor
L	8407	Inductor

6  
**Part No.**

UDZV16(B)	
RR1VWM4STF	
RR1VWM4STF	
RB056LAM-40TF	
RB056LAM-40TF	
RB751SM-40	
RB751SM-40	
RSB18V	
RSB18V	
RSB18V	
RSB18V	
RSB18V	
RSB18V	
RSB18V	
RSB18V	
RSB18V	
RSB18V	
RSB18V	
RSB18V	
EZAEG2A50AX	
EZAEG2A50AX	
RSB6R8SM	
CTH1636	
CTH1479	
CTH1674	
CTH1481	
CTF1786	
CTF1786	
CTF1786	
CTF1786	
CTF1786	
CTF1786	
VTL1126	
VTL1126	
VTL1126	
VTL1126	
VTL1126	
VTL1126	
VTL1126	
VTL1126	
VTL1126	
VTL1126	
VTL1126	
VTL1126	
VTL1126	
VTL1126	
VTL1126	
VTL1126	
VTL1126	
CTF1869	
VTL1126	
VTL1126	
VTL1126	
VTL1126	
VTL1126	
CTF1893	
LCTC150K1608	
LCMAR27J1608	
LCMAR22J1608	

7  
**Circuit Symbol and No.**

L	8409	Inductor
X	401	Crystal Resonator 12.500 MHz
X	701	Resonator 12.288 MHz
X	8401	Crystal Resonator 55.466 67 MHz
⚠	P101	Fuse 8.0 A
⚠	P102	Poly Switch (A)
⚠	P102	Poly Switch (B)
⚠	P103	Fuse 8.0A
⚠	P1701	Poly Switch (B, C, D)
⚠	P1704	Poly Switch
⚠	P1705	Poly Switch
P	8451	Surge Absorber
CN	101	Connector
CN	102	Connector
CN	1401	Connector (A)
CN	1601	Connector
CN	1602	FFC/FPC Connector
CN	1701	Connector (B, C, D)
CN	1702	Connector
JA	1	Connector
JA	1701	3.5 DIA Jack
U	4001	WWR Unit (A)
U	4001	WWR Unit (B)

**RESISTORS**

R	2	(A, C)	RS1/4SA0R0J
R	3		RS1/16SS103J
R	4		RS1/16SS473J
R	5		RS1/16SS472J
R	6		RS1/16SS104J
R	7		RS1/16SS473J
R	8		RS1/4SA102J
R	9		RS1/16SS103J
R	10		RS1/16SS472J
R	11		RS1/4SA102J
R	12		RS1/16SS473J
R	13		RS1/16SS104J
R	14		RS1/16SS472J
R	15		RS1/4SA102J
R	16		RS1/16SS102J
R	17		RS1/16SS473J
R	18		RS1/16SS223J
R	19		RS1/16SS103J
R	20		RS1/16SS223J
R	21		RS1/16SS102J
R	22		RS1/16SS473J
R	23		RS1/16SS103J
R	24		RS1/16SS473J
R	25		RS1/16SS104J
R	26		RS1/16SS473J
R	27		RS1/16SS563J
R	28		RS1/16SS513J
R	29		RS1/16SS104J
R	30		RS1/16SS513J
R	31		RS1/16SS513J
R	32		RS1/16SS102J
R	33		RS1/16SS102J
R	34		RS1/16SS564J
R	35		RS1/16SS822J

8  
**Part No.**

CTF1787	
CSS1839	
CSS1811	
CSS1898	
CEK1263	
FSMD110-24R	
FSMD050-R	
CEK1263	
FSMD075-24R	
FSMD075-24R	
FSMD075-24R	
IMSA-6803-01Y900	
CKS4674	
CKS4822	
CKS4674	
CKS6206	
CKS6543	
CKS4497	
CKS6947	
CKM1613	
CKS6437	
CWE2590	
CWE2571	

	1	2	3	4
	<u>Circuit Symbol and No.</u>	<u>Part No.</u>	<u>Circuit Symbol and No.</u>	<u>Part No.</u>
	R 36	RS1/16SS202J	R 424	RS1/16SS102J
	R 37	RS1/16SS203J	R 425	RS1/16SS104J
A	R 38	RS1/10SR0R0J	R 426	RS1/16SS473J
	R 39	RS1/16SS104J	R 427	RS1/16SS121J
	R 40	RS1/16SS333J	R 429	RS1/16SS121J
	R 111	RS1/16SS471J	R 430 (B)	RS1/16SS0R0J
	R 112	RS1/16SS103J	R 431	RS1/16SS102J
	R 113	RS1/16SS682J	R 432	RS1/16SS222J
	R 116	RS1/16SS222J	R 433	RS1/16SS222J
	R 117	RS1/16SS222J	R 434	RS1/16SS101J
	R 119	RS1/16SS473J	R 435	RS1/16SS101J
	R 120	RS1/16SS222J	R 436	RS1/16SS682J
	R 121	RS1/16SS622J	R 437 (B)	RS1/16SS103J
B	R 122	RS1/16SS162J	R 439 (A, B)	RS1/16SS102J
	R 125	RS1/16SS8202D	R 440 (A, B)	RS1/16SS104J
	R 126	RS1/16SS2701D	R 442	RS1/16SS222J
	R 127	RS1/16SS8201D	R 443 (B)	RS1/16SS0R0J
	R 203 (A)	RS1/16SS102J	R 444	RS1/16SS101J
	R 204 (B)	RS1/16SS102J	R 445 (A, B)	RS1/16SS102J
	R 205 (A)	RS1/16SS102J	R 445 (C, D)	RS1/16SS1001D
	R 207 (B)	RS1/16SS102J	R 446 (C, D)	RS1/16SS6800D
	R 208	RS1/16SS102J	R 447	RS1/16SS103J
	R 209 (B)	RS1/10SR0R0J	R 448	RS1/16SS182J
	R 210 (A, B)	RS1/10SR0R0J	R 449	RS1/16SS104J
C	R 211 (A, B)	RS1/10SR0R0J	R 450	RS1/16SS822J
	R 215 (B)	RS1/16SS911J	R 451	RS1/16SS471J
	R 216 (B)	RS1/16SS103J	R 453	RS1/16SS473J
	R 217 (B)	RS1/4SA471J	R 454	RS1/16SS101J
	R 218 (B)	RS1/4SA471J	R 455	RS1/16SS221J
	R 219 (B)	RS1/16SS104J	R 456	RS1/16SS221J
	R 220 (B)	RS1/16SS183J	R 458	RS1/16SS473J
	R 221 (B)	RS1/16SS102J	R 459	RS1/16SS221J
	R 223 (A, B)	RS1/10SR0R0J	R 460	RS1/16SS221J
	R 302	RS1/16SS3603D	R 461	RS1/16SS471J
	R 303	RS1/16SS6202D	R 462	RS1/16SS221J
D	R 304	RS1/16SS822J	R 463	RS1/16SS104J
	R 307	RS1/8SQ331J	R 464 (A, C, D)	RS1/16SS104J
	R 352	RS1/16SS1503D	R 466 (A, C, D)	RS1/16SS104J
	R 353	RS1/16SS3602D	R 468 (D)	RS1/16SS104J
	R 354	RS1/16SS103J	R 469 (C)	RS1/16SS104J
	R 357	RS1/8SQ331J	R 470 (C, D)	RS1/16SS104J
	R 401	RS1/16SS0R0J	R 473 (C, D)	RS1/16SS104J
	R 404	RS1/16SS472J	R 474	RS1/16SS0R0J
	R 405	RS1/16SS104J	R 475	RS1/16SS101J
	R 406	RS1/16SS473J	R 477	RS1/16SS222J
E	R 407	RS1/16SS473J	R 478	RS1/16SS221J
	R 408	RS1/16SS221J	R 479	RS1/16SS104J
	R 409	RS1/16SS101J	R 480	RS1/16SS222J
	R 410	RS1/16SS471J	R 481	RS1/16SS221J
	R 411	RS1/16SS103J	R 482	RS1/16SS104J
	R 412	RS1/16SS103J	R 483	RS1/16SS104J
	R 413	RS1/16SS471J	R 484	RS1/16SS101J
	R 414	RS1/16SS473J	R 486	RS1/16SS0R0J
	R 415	RS1/16SS471J	R 489	RS1/16SS471J
	R 416	RS1/16SS104J	R 490	RS1/16SS103J
	R 417	RS1/16SS182J	R 491	RS1/16SS473J
F	R 419	RS1/16SS101J	R 494 (A)	RS1/16SS101J
	R 420	RS1/16SS104J	R 495 (A)	RS1/16SS222J
	R 422	RS1/16SS102J	R 496	RS1/16SS101J
	R 423	RS1/16SS0R0J	R 499 (C, D)	RS1/16SS6800D

5		6	7		8
<u>Circuit Symbol and No.</u>		<u>Part No.</u>	<u>Circuit Symbol and No.</u>		<u>Part No.</u>
R	501	RS1/16SS222J	R	715	RS1/16SS103J
R	502 (C, D)	RS1/16SS8201D	R	716	RS1/16SS101J
R	503 (C, D)	RS1/16SS8201D	R	719	RS1/16SS2202F
R	504 (A, B)	RS1/16SS102J	R	730	RS1/16SS470J
R	504 (C, D)	RS1/16SS1001D	R	731	RS1/16SS101J
R	505	RS1/16SS101J	R	732	RS1/16SS151J
R	506	RS1/16SS101J	R	733 62 ohm	CCN1418
R	508	RS1/16SS222J	R	734 39 ohm	CCN1432
R	509	RS1/16SS101J	R	735 39 ohm	CCN1432
R	510	RS1/16SS0R0J	R	737	RS1/16SS222J
R	512	RS1/16SS101J	R	738	RS1/16SS222J
R	513	RS1/16SS101J	R	740	RS1/16SS222J
R	514	RS1/16SS101J	R	744	RS1/16SS222J
R	515 (A)	RS1/16SS101J	R	745	RS1/16SS103J
R	516 (A)	RS1/16SS101J	R	746	RS1/16SS0R0J
R	517	RS1/16SS101J	R	747	RS1/16SS0R0J
R	519	RS1/16SS0R0J	R	748	RS1/16SS103J
R	520 (A)	RS1/16SS221J	R	749	RS1/16SS103J
R	521	RS1/16SS473J	R	750	RS1/16SS103J
R	522	RS1/16SS101J	R	751	RS1/16SS103J
R	523	RS1/16SS101J	R	754	RS1/16SS103J
R	524 (B, C, D)	RS1/16SS473J	R	755	RS1/16SS103J
R	525 (B, C, D)	RS1/16SS104J	R	758	RS1/16SS201J
R	526 (B, C, D)	RS1/16SS473J	R	759	RS1/16SS131J
R	531	RS1/16SS103J	R	760	RS1/16SS104J
R	532	RS1/16SS221J	R	761	RS1/16SS104J
R	533	RS1/16SS104J	R	762	RS1/16SS104J
R	534 (B)	RS1/16SS104J	R	763	RS1/16SS151J
R	535 (B)	RS1/16SS104J	R	801	RS1/16SS0R0J
R	536	RS1/16SS104J	R	805	RS1/10SR821J
R	537	RS1/16SS104J	R	806	RS1/16SS821J
R	601 (C, D)	RS1/16SS101J	R	807	RS1/10SR821J
R	602 (C, D)	RS1/16SS101J	R	808	RS1/10SR821J
R	603 (C, D)	RS1/16SS101J	R	809	RS1/16SS0R0J
R	604 (C, D)	RS1/16SS223J	R	810	RS1/16SS0R0J
R	605 (C, D)	RS1/16SS223J	R	812	RS1/16SS102J
R	607	RS1/16SS0R0J	R	813 (A)	RS1/10SR821J
R	608	RS1/16SS75R0D	R	814	RS1/16SS102J
R	609	RS1/16SS101J	R	815	RS1/16SS102J
R	610	RS1/16SS75R0D	R	816	RS1/16SS102J
R	611	RS1/16SS2200D	R	817	RS1/16SS104J
R	612	RS1/16SS75R0D	R	818	RS1/16SS104J
R	613	RS1/16SS750J	R	819	RS1/16SS104J
R	616	RS1/16SS101J	R	820	RS1/16SS391J
R	617	RS1/16SS101J	R	821	RS1/16SS391J
R	618	RS1/16SS101J	R	822	RS1/16SS391J
R	619	RS1/16SS101J	R	823	RS1/16SS391J
R	620	RS1/16SS101J	R	824	RS1/16SS471J
R	621	RS1/16SS101J	R	825	RS1/16SS471J
R	623 (A, B)	RS1/16SS0R0J	R	826	RS1/16SS471J
R	624 (A, B)	RS1/16SS0R0J	R	827	RS1/16SS471J
R	631	RS1/16SS470J	R	828	RS1/16SS0R0J
R	642 (C, D)	RS1/16SS0R0J	R	829	RS1/16SS0R0J
R	644 (C, D)	RS1/16SS0R0J	R	921 (A)	RS1/16SS473J
R	702	RS1/16SS222J	R	922 (A)	RS1/16SS473J
R	703	RS1/16SS470J	R	923 (A)	RS1/16SS473J
R	704	RS1/16SS470J	R	924 (A)	RS1/16SS473J
R	712	RS1/16SS101J	R	925 (A)	RS1/16SS0R0J
R	713	RS1/16SS470J	R	926 (A)	RS1/16SS473J
R	714	RS1/16SS103J	R	927 (A)	RS1/16SS473J

	1		2		3		4	
	<u>Circuit Symbol and No.</u>		<u>Part No.</u>		<u>Circuit Symbol and No.</u>		<u>Part No.</u>	
	R	928 (A)		RS1/16SS473J	R	1326 (A)		RS1/16SS103J
	R	929 (A)		RS1/16SS473J	R	1327 (A)		RS1/16SS103J
A	R	930 (A)		RS1/16SS0R0J	R	1328 (A)		RS1/16SS103J
	R	931 (A)		RS1/16SS0R0J	R	1329 (B)		RS1/10SR0R0J
	R	932 (A)		RS1/16SS0R0J	R	1401 (A)		RS1/10SR471J
	R	1002		RS1/16SS222J	R	1402 (A)		RS1/16SS330J
	R	1003 (A)		RS1/16SS104J	R	1406 (A)		RS1/16SS0R0J
	R	1004 (A)		RS1/16SS104J	R	1407 (A)		RS1/16SS0R0J
	R	1005 (A)		RS1/16SS0R0J	R	1410 (A)		RS1/16SS222J
	R	1006 (A)		RS1/16SS103J	R	1412 (A)		RS1/16SS104J
	R	1007 (A)		RS1/16SS0R0J	R	1413 (A)		RS1/16SS471J
	R	1008 (A)		RS1/16SS0R0J	R	1414 (A)		RS1/16SS222J
	R	1009 (A)		RS1/16SS0R0J	R	1415 (A)		RS1/16SS223J
B	R	1010 (B, C, D)		RS1/16SS0R0J	R	1416 (A)		RS1/16SS223J
	R	1011 (B, C, D)		RS1/16SS0R0J	R	1418 (A)		RS1/16SS331J
	R	1012 (B, C, D)		RS1/16SS0R0J	R	1419 (A)		RS1/16SS181J
	R	1013 (A)		RS1/16SS103J	R	1420 (A)		RS1/16SS181J
	R	1014 (A)		RS1/16SS103J	R	1422 (A)		RS1/10SR102J
	R	1015 (A)		RS1/16SS0R0J	R	1423 (A)		RS1/10SR471J
	R	1017		RS1/16SS3901D	R	1601		RS1/10SR0R0J
	R	1018		RS1/16SS3901D	R	1602 (A)		RS1/16SS0R0J
	R	1019		RS1/16SS1802D	R	1603 (A)		RS1/16SS0R0J
	R	1020		RS1/16SS1802D	R	1604 (A)		RS1/16SS101J
	R	1101		RS1/16SS103J	R	1605 (A)		RS1/16SS0R0J
C	R	1102		RS1/16SS684J	R	1606		RS1/16SS0R0J
	R	1104		RS1/16SS100J	R	1607		RS1/16SS0R0J
	R	1107		RS1/16SS102J	R	1608		RS1/16SS0R0J
	R	1201		RS1/16SS0R0J	R	1611		RS1/16SS0R0J
	R	1202		RS1/16SS103J	R	1612		RS1/16SS0R0J
	R	1205		RS1/16SS683J	R	1613		RS1/16SS0R0J
	R	1206		RS1/16SS683J	R	1614		RS1/16SS0R0J
	R	1207		RS1/16SS221J	R	1702 (B, C, D)		RS1/16SS562J
	R	1301 (A, B)		RS1/16SS0R0J	R	1703 (B, C, D)		RS1/10SR102J
	R	1302 (A, B)		RS1/16SS0R0J	R	1704 (B, C, D)		RS1/10SR102J
	R	1303 (A, B)		RS1/16SS0R0J	R	1706 (B, C, D)		RS1/10SR471J
D	R	1304 (B)		RS1/16SS222J	R	1707 (B, C, D)		RS1/10SR471J
	R	1305 (A)		RS1/16SS221J	R	1708 (B, C, D)		RS1/16SS0R0J
	R	1306 (A)		RS1/16SS0R0J	R	1709 (B, C, D)		RS1/16SS0R0J
	R	1306 (B)		RS1/16SS221J	R	1710 (B, C, D)		RS1/16SS0R0J
	R	1307 (A)		RS1/16SS0R0J	R	1711 (B, C, D)		RS1/16SS0R0J
	R	1307 (B)		RS1/16SS221J	R	1715 (B, C, D)		RS1/16SS272J
	R	1308 (A)		RS1/16SS0R0J	R	1716 (B, C, D)		RS1/16SS272J
	R	1308 (B)		RS1/16SS221J	R	1717 (B, C, D)		RS1/10SR222J
	R	1309 (A)		RS1/16SS221J	R	1718 (B, C, D)		RS1/16SS562J
	R	1310 (A)		RS1/16SS221J	R	1719 (B, C, D)		RS1/16SS332J
E	R	1311 (B)		RS1/16SS0R0J	R	1721 (C, D)		RS1/16SS0R0J
	R	1312 (B)		RS1/16SS0R0J	R	1725		RS1/16SS223J
	R	1313 (B)		RS1/16SS0R0J	R	1726		RS1/16SS223J
	R	1314 (B)		RS1/16SS0R0J	R	1728		RS1/16SS0R0J
	R	1315 (A)		RS1/16SS0R0J	R	1743		RS1/16SS223J
	R	1316 (A)		RS1/16SS0R0J	R	1744		RS1/16SS223J
	R	1317 (A)		RS1/16SS0R0J	R	1745		RS1/16SS223J
	R	1318 (A)		RS1/16SS0R0J	R	1746		RS1/16SS223J
	R	1319 (B)		RS1/16SS0R0J	R	1747		RS1/16SS223J
	R	1320 (B)		RS1/10SR0R0J	R	1748		RS1/16SS223J
	R	1321 (A)		RS1/16SS0R0J	R	1749		RS1/16SS750J
F	R	1322 (A)		RS1/16SS0R0J	R	1750 (B, C, D)		RS1/16SS0R0J
	R	1323 (B)		RS1/10SR0R0J	R	1751 (B, C, D)		RS1/16SS0R0J
	R	1324 (A)		RS1/16SS103J	R	1752 (B, C, D)		RS1/16SS0R0J
	R	1325 (A)		RS1/16SS103J	R	1791		RS1/16SS103J



	1		2		3		4	
	<u>Circuit Symbol and No.</u>		<u>Part No.</u>		<u>Circuit Symbol and No.</u>		<u>Part No.</u>	
	C	611 (C, D)	CKSSYX105K16	C	819	CKSTYX222K25		
	C	612	CKSTYX104K10	C	820	CKSTYX222K25		
A	C	613 (C, D)	CKSSYX105K16	C	821	CKSTYX222K25		
	C	614	CKSTYX104K10	C	822	CKSSYB104K16		
	C	615 (C, D)	CKSSYX105K16	C	823	CKSRAYX106M10		
	C	616	CKSTYX104K10	C	824	CKSTYX104K25		
	C	618	CKSTYX104K10	C	825	CKSRAYX106M10		
	C	619	CKSSYX105K16	C	826	CKSTYX104K25		
	C	622	CKSRAYX106M16	C	827 (A)	CKSTYX222K25		
	C	623	CKSRAYX106M16	C	830	CCSTCH101J50		
	C	624 (C, D)	CKSTYX104K10	C	917 (A)	CKSSAYX105K25		
	C	625	CCSTCH181J50	C	918 (A)	CKSSAYX105K25		
	C	626	CKSSYX105K16	C	919 (A)	CKSSAYX105K25		
B	C	627	CKSSYX105K16	C	920 (A)	CKSSAYX105K25		
	C	628	CKSSYX105K16	C	921 (A)	CCSTCH330J50		
	C	629	CKSSYX105K16	C	922 (A)	CCSTCH330J50		
	C	630	CKSSYX105K16	C	923 (A)	CCSTCH330J50		
	C	631	CKSSYX105K16	C	924 (A)	CCSTCH330J50		
	C	635	CKSTYX104K10	C	925 (A)	CKSSYX105K16		
	C	701	CCSSCH120J50	C	926 (A)	CKSTYX104K35		
	C	702	CCSSCH120J50	C	1001	CEVW220M16		
	C	703	CKSQYX106K16	C	1003	CKSSYB104K16		
	C	704	CKSSYB104K10	C	1004	CEVW100M16		
	C	705	CKSSYB104K10	C	1005	CKSRYX475K16		
C	C	706	CKSSYB104K10	C	1006	CKSRYX475K16		
	C	708	CKSRYX225K10	C	1007	CKSRYX475K16		
	C	710	CKSSYB104K10	C	1008	CKSRYX475K16		
	C	711	CKSRYX225K10	C	1009	CKSRYX475K16		
	C	712	CKSSYB104K10	C	1010	CKSSBYX225M16		
	C	713	CKSQYX106K16	C	1011	CKSSBYX225M16		
	C	714	CKSSYB104K10	C	1012	CKSSBYX225M16		
	C	716	CKSSYB102K50	C	1013	CKSRYX475K16		
	C	717	CKSSYB102K50	C	1014	CKSSBYX225M16		
	C	718	CKSSYB102K50	C	1015	CKSSBYX225M16		
	C	720	CKSSYB102K50	C	1016 (A)	CKSSBYX225M16		
D	C	722	CKSSBYX475M10	C	1018 (A)	CKSSBYX225M16		
	C	723	CKSSYX105K16	C	1019	CCSTCH101J50		
	C	724	CKSSBYX475M10	C	1020	CCSTCH101J50		
	C	725	CKSSYB102K50	C	1022 (A)	CKSTYX104K35		
	C	726	CKSSYB104K10	C	1101	CKSRYX105K25		
	C	728	CKSSYX105K16	C	1102	CKSRYX105K25		
	C	730 1000 pF	CCG1375	C	1103	CKSRYX105K25		
	C	731	CKSTYX104K10	C	1104	CKSRYX105K25		
	C	736	CKSSYX105K16	C	1105	CKSRYX105K25		
	C	738	CCSSCH121J50	C	1106	CKSRYX105K25		
	C	739	CCSSCH121J50	C	1107	CKSRYX105K25		
E	C	740	CCSSCH121J50	C	1108	CKSRYX105K25		
	C	741	CCSSCH121J50	C	1109	CKSRYX105K25		
	C	742	CCSTCH390J50	C	1110	CKSRYX105K25		
	C	743	CCSTCH680J50	C	1112	CKSRYX105K25		
	C	744	CCSTCH181J50	C	1113	CKSRYX105K25		
	C	745	CCSTCH390J50	C	1201	CKSTYX104K35		
	C	801	CKSSYB104K16	C	1202	CKSSBYX475M10		
	C	802	CKSQYX106K16	C	1308 (A)	CKSTYX104K10		
	C	803	CKSQYX106K16	C	1309 (A, B)	CCSTCH101J50		
	C	806	CKSTYX104K25	C	1310 (A, B)	CCSTCH101J50		
F	C	807	CKSRAYX106M10	C	1311 (A, B)	CCSTCH101J50		
	C	812	CKSTYX104K25	C	1312 (A, B)	CCSTCH101J50		
	C	813	CKSRAYX106M10	C	1313 (B)	CKSTYX101K25		
	C	818	CKSSYB103K50	C	1405 (A)	CKSTYX104K35		



	1		2		3		4	
	<u>Circuit Symbol and No.</u>		<u>Part No.</u>		<u>Circuit Symbol and No.</u>		<u>Part No.</u>	
	IC	7592 RAM IC	H5TQ4G83EFR-RDC	L	4007 Ferrite Bead	CTF1528		
	IC	7593 RAM IC	H5TQ4G83EFR-RDC	L	4008 Ferrite Bead	CTF1528		
A	IC	7594 RAM IC	H5TQ4G83EFR-RDC	L	6706 SMD Ferrite Beads	CTF1889		
	IC	7691 Flash ROM Unit (A)	CVQ1365	L	6707 SMD SPL Inductor	CTH1673		
	IC	7691 Flash ROM Unit (B, C, D)	CVQ1364	L	6708 Inductor	CTH1633		
	Q	3001 Chip Transistor	2SB1689	L	6709 Inductor	CTH1632		
	Q	3002 Resistor Built-IN TR	LTC044EEB	L	6710 SMD SPL Inductor	CTH1530		
	Q	3101 Bipolar TR	LSCR523UB	L	6711 SMD SPL Inductor	CTH1532		
	Q	3401 Bipolar TR (B, C, D)	LSCR523UB	L	6831 SMD Ferrite Beads	CTF1895		
	Q	3402 Bipolar TR	LSCR523UB	L	6832 SMD Ferrite Beads	CTF1895		
	Q	3403 Bipolar TR (B, C, D)	LSCR523UB	L	6833 SMD Ferrite Beads	CTF1895		
	Q	3404 Bipolar TR (B, C, D)	LSCR523UB	L	7751 Ferrite Bead	CTF1528		
	Q	3405 Bipolar TR (B, C, D)	LSCR523UB	X	3301 Resonator 32.768 kHz	CSS1807		
B	Q	3406 Bipolar TR	LSCR523UB	X	3401 Resonator 32.000 MHz	CSS1816		
	Q	3701 Transistor	2SAR293PGZE	X	4001 Crystal Resonator 27.000 MHz	CSS1889		
	Q	3801 FET	SSM3K335R	X	6962 Resonator 24 MHz	CSS1773		
	Q	3802 FET	SSM3K335R	X	7751 Crystal Oscillator 24.576 MHz	CWX4945		
	Q	4002 Transistor	2SAR502UB	TH	7681 SMD Thermistor	ERTJ0ER104F		
	Q	4003 Resistor Built-IN TR	LTC014EEB	CN	3001 Connector	CKS4674		
	Q	4004 Bipolar TR	HN1B04FUS1	CN	3201 FFC/FPC Connector	CKS6644		
	Q	6704 FET	SP8K10S	CN	3202 FFC/FPC Connector	CKS6646		
	Q	6705 Bipolar TR	LSCR523UB	CN	3203 Connector	CKS5567		
	Q	6706 Transistor	2SC4154-11	CN	3301 B TO W Connector	CKS6508		
	D	3703 Schottky Diode	RB751SM-40	CN	3302 B TO W Connector	CKS6508		
C	D	3801 Schottky Diode	RB080LAM-30TF	CN	3701 B TO B Connector	CKS6599		
	D	4001 Diode	EZAEG2A50AX	CN	4101 Connector (A, B)	CKS6833		
	D	4002 Diode	EZAEG2A50AX	JA	3101 Jack	CKN1101		
	D	4003 Diode	EZAEG2A50AX	JA	3701 Connector	CKS5702		
	D	4004 Diode	EZAEG2A50AX	JA	3801 USB Jack	DKN1674		
	D	4005 Diode	EZAEG2A50AX	JA	4001 Connector	CKS6677		
	D	4006 Diode	EZAEG2A50AX	U	3301 BT Module	CWX4995		
	D	4007 Diode	EZAEG2A50AX					
	D	4008 Diode	EZAEG2A50AX					
	D	4009 Diode	EZAEG2A50AX					
	D	4012 Rectifier Diode	DAN202UM					
D	D	4101 Switching Diode (A, B)	1SS355VM	R	3001	RS1/16SS102J		
	L	3101 Chip Beads	VTL1126	R	3002	RS1/10SR102J		
	L	3102 Chip Beads	VTL1126	R	3003	RS1/10SR102J		
	L	3103 Ferrite Bead	CTF1528	R	3004	RS1/10SR0R0J		
	L	3301 Chip Beads	VTL1132	R	3012	RS1/8SQ0R0J		
	L	3304 Chip Beads	VTL1132	R	3013	RS1/8SQ0R0J		
	L	3406 Chip Beads	VTL1127	R	3014	RS1/10SR0R0J		
	L	3407 Chip Beads	VTL1126	R	3016	RS1/16SS0R0J		
	L	3408 Chip Beads	VTL1126	R	3017	RS1/10SR0R0J		
	L	3409 Chip Beads	VTL1126	R	3018	RS1/10SR0R0J		
E	L	3410 Chip Beads	VTL1126	R	3019	RS1/16SS0R0J		
	L	3411 Chip Beads	VTL1126	R	3020	RS1/10SR332J		
	L	3412 Chip Beads	VTL1126	R	3021	RS1/10SR332J		
	L	3413 Chip Beads	VTL1126	R	3022	RS1/16SS474J		
	L	3414 Chip Beads	VTL1126	R	3103	RS1/16SS0R0J		
	L	3415 Chip Beads	VTL1126	R	3105	RS1/16SS0R0J		
	L	3701 SMD SPL Inductor	LCYA1R0J2016	R	3106	RS1/16SS0R0J		
	L	3702 Chip Ferrite Beads	OTL8019	R	3110	RS1/16SS222J		
	L	3703 Inductor	CTF1547	R	3111	RS1/16SS222J		
	L	3704 Inductor	CTF1547	R	3112	RS1/16SS0R0J		
F	L	3801 SMD SPL Inductor	CTH1704	R	3116	RS1/10SR0R0J		
	L	3802 Chip Beads	VTL1126	R	3117	RS1/10SR0R0J		
	L	3803 Chip Beads	VTL1126	R	3118	RS1/16SS0R0J		
	L	4005 Ferrite Bead	CTF1528	R	3120	RS1/16SS222J		
	L	4006 Ferrite Bead	CTF1528	R	3121	RS1/16SS103J		

**RESISTORS**

5		6		7		8	
<u>Circuit Symbol and No.</u>		<u>Part No.</u>		<u>Circuit Symbol and No.</u>		<u>Part No.</u>	
R	3122	RS1/16SS0R0J		R	3303	RS1/16SS0R0J	
R	3123	RS1/16SS333J		R	3311	RS1/16SS0R0J	
R	3124	RS1/16SS103J		R	3312	RS1/16SS331J	
R	3125	RS1/16SS824J		R	3313	RS1/16SS331J	A
R	3126	RS1/16SS563J		R	3314	RS1/16SS222J	
R	3127	RS1/16SS0R0J		R	3315	RS1/16SS222J	
R	3128	RS1/16SS472J		R	3316	RS1/16SS103J	
R	3129	RS1/16SS102J		R	3317	RS1/16SS103J	
R	3130	RS1/16SS102J		R	3318	RS1/16SS103J	
R	3131	RS1/16SS0R0J		R	3319	RS1/16SS103J	
R	3132	RS1/16SS102J		R	3320	RS1/16SS103J	
R	3133	RS1/16SS222J		R	3322	RS1/16SS222J	
R	3134	RS1/16SS332J		R	3323	RS1/16SS222J	
R	3136	RS1/16SS0R0J		R	3324	RS1/16SS222J	
R	3137	RS1/16SS0R0J		R	3325	RS1/16SS222J	B
R	3139	RS1/16SS0R0J		R	3326	RS1/16SS470J	
R	3140	RS1/16SS0R0J		R	3327	RS1/16SS271J	
R	3146	RS1/16SS222J		R	3328	RAB4CQ103J	
R	3150	RS1/10SR0R0J		R	3329	RS1/16SS103J	
R	3151	RS1/10SR0R0J		R	3330	RS1/16SS0R0J	
R	3152	RS1/16SS0R0J		R	3332	RS1/16SS8R2J	
R	3155	RS1/16SS103J		R	3333	RS1/16SS8R2J	
R	3157	RS1/16SS0R0J		R	3334	RS1/16SS8R2J	
R	3158	RS1/16SS220J		R	3335	RS1/16SS8R2J	
R	3159	RS1/16SS220J		R	3336	RS1/16SS220J	
R	3160	RS1/16SS151J		R	3337	RS1/16SS8R2J	C
R	3161	RS1/16SS560J		R	3401 (B, C, D)	RS1/16SS75R0D	
R	3162	RS1/10SR0R0J		R	3402 (B, C, D)	RS1/16SS151J	
R	3163	RS1/16SS220J		R	3403 (B, C, D)	RS1/16SS101J	
R	3164	RS1/16SS221J		R	3404 (B, C, D)	RS1/16SS75R0D	
R	3165	RS1/16SS221J		R	3405 (B, C, D)	RS1/16SS101J	
R	3166	RS1/16SS221J		R	3406 (B, C, D)	RS1/16SS75R0D	
R	3167	VTL1127		R	3407 (B, C, D)	RS1/16SS75R0D	
R	3168	RS1/16SS0R0J		R	3408 (B, C, D)	RS1/16SS101J	
R	3169	RS1/16SS0R0J		R	3409	RS1/16SS101J	
R	3170	RS1/16SS0R0J		R	3410	RS1/16SS243J	D
R	3171	RS1/16SS0R0J		R	3411	RS1/16SS333J	
R	3201	RS1/16SS0R0J		R	3413 (B, C, D)	RS1/16SS101J	
R	3202	RS1/16SS0R0J		R	3414 (B, C, D)	RS1/16SS151J	
R	3204	RS1/16SS0R0J		R	3415 (B, C, D)	RS1/16SS151J	
R	3205	RS1/16SS0R0J		R	3416 (B, C, D)	RS1/16SS151J	
R	3206	RS1/16SS0R0J		R	3417	RS1/16SS151J	
R	3207	RS1/16SS0R0J		R	3418	RS1/16SS472J	
R	3208	RS1/16SS0R0J		R	3419	RS1/16SS473J	
R	3209	RS1/16SS0R0J		R	3420	RS1/16SS821J	
R	3210	RS1/16SS0R0J		R	3421	RS1/16SS105J	
R	3211	RS1/16SS0R0J		R	3422	RS1/16SS560J	E
R	3212	RS1/16SS0R0J		R	3424	RS1/16SS101J	
R	3213	RS1/16SS0R0J		R	3425	RS1/16SS151J	
R	3214	RS1/16SS0R0J		R	3426	RS1/16SS222J	
R	3215	RS1/16SS0R0J		R	3427	RS1/16SS101J	
R	3216	RS1/16SS0R0J		R	3428	RS1/16SS101J	
R	3218	RS1/16SS0R0J		R	3429	RS1/16SS101J	
R	3219	RS1/16SS0R0J		R	3430	RS1/16SS101J	
R	3220	RS1/16SS0R0J		R	3431	RS1/16SS101J	
R	3222	RS1/16SS0R0J		R	3432	RS1/16SS101J	
R	3223	RS1/16SS0R0J		R	3433	RS1/16SS101J	F
R	3225	RS1/16SS0R0J		R	3434	RS1/16SS101J	
R	3301	RS1/16SS106J		R	3435	RS1/10SR0R0J	
R	3302	RS1/16SS105J		R	3436	RS1/10SR0R0J	

	1	2	3	4
	<u>Circuit Symbol and No.</u>	<u>Part No.</u>	<u>Circuit Symbol and No.</u>	<u>Part No.</u>
	R 3437	RS1/16SS221J	R 3805	RS1/16SS912J
	R 3438	RS1/16SS75R0D	R 3806	RS1/16SS0R0J
	R 3439 (A)	RS1/16SS0R0J	R 3807	RS1/10SR331J
A	R 3440 (A)	RS1/16SS0R0J	R 3809	RS1/16SS104J
	R 3441 (A)	RS1/16SS0R0J	R 3810	RS1/16SS104J
	R 3442 (A)	RS1/16SS0R0J	R 3811	RS1/16SS101J
	R 3443	RS1/10SR0R0J	R 3812	RS1/16SS104J
	R 3444	RS1/10SR0R0J	R 3813	RS1/16SS104J
	R 3445	RS1/10SR0R0J	R 3817	RS1/16SS0R0J
	R 3446	RS1/16SS470J	R 3820	RS1/8SQ331J
	R 3447	RS1/16SS0R0J	R 4001	RS1/16SS105J
	R 3448	RS1/16SS0R0J	R 4006	RS1/16SS103J
	R 3449	RS1/16SS0R0J	R 4007	RS1/16SS103J
	R 3450	RS1/16SS0R0J	R 4010	RS1/16SS101J
B	R 3451	RS1/16SS0R0J	R 4011	RS1/16SS101J
	R 3452	RS1/16SS0R0J	R 4012	RS1/16SS222J
	R 3453	RS1/16SS0R0J	R 4013	RS1/16SS151J
	R 3454	RS1/16SS0R0J	R 4014	RS1/16SS560J
	R 3455	RS1/10SR0R0J	R 4016	RS1/16SS101J
	R 3501	RS1/16SS103J	R 4017	RS1/16SS105J
	R 3502	RS1/16SS103J	R 4019	RS1/16SS0R0J
	R 3503	RS1/16SS0R0J	R 4020	RS1/16SS0R0J
	R 3508	RS1/16SS470J	R 4021	RS1/16SS0R0J
	R 3509	RS1/16SS103J	R 4022	RS1/16SS0R0J
	R 3510	RS1/16SS222J	R 4023	RS1/16SS680J
C	R 3514	RS1/16SS6801F	R 4024	RS1/16SS222J
	R 3517	RS1/10SR0R0J	R 4025	RS1/16SS470J
	R 3522	RS1/10SR0R0J	R 4026	RS1/16SS222J
	R 3523	RS1/10SR0R0J	R 4029	RS1/16SS0R0J
	R 3524	RS1/10SR0R0J	R 4030	RS1/16SS103J
	R 3606	RS1/16SS103J	R 4031	RS1/16SS0R0J
	R 3608	RS1/16SS103J	R 4032	RS1/16SS0R0J
	R 3701	RS1/16SS101J	R 4033	RS1/16SS0R0J
	R 3703	RS1/16SS10R0D	R 4034	RS1/16SS0R0J
	R 3704	RS1/16SS1501D	R 4035	RS1/16SS304J
D	R 3705	RS1/16SS2402D	R 4038	RS1/16SS302J
	R 3706	RS1/16SS3302D	R 4039	RS1/16SS152J
	R 3708	RS1/16SS2202D	R 4040	RS1/16SS330J
	R 3709	RS1/16SS2202D	R 4041	RS1/16SS105J
	R 3710	RS1/16SS432J	R 4042	RS1/16SS0R0J
	R 3711	RS1/16SS1801D	R 4045	RS1/16SS330J
	R 3712	RS1/16SS3002D	R 4046	RS1/16SS330J
	R 3713	RS1/16SS3302D	R 4048	RS1/16SS182J
	R 3714	RS1/16SS103J	R 4049	RS1/16SS223J
	R 3715	RS1/16SS102J	R 4050	RS1/16SS471J
	R 3716	RS1/16SS102J	R 4051	RS1/10SR221J
E	R 3717	RS1/16SS332J	R 4052	RS1/10SR221J
	R 3718	RS1/16SS332J	R 4053	RS1/10SR221J
	R 3721	RS1/16SS472J	R 4055	RS1/10SR221J
	R 3725	RS1/16SS103J	R 4057	RS1/16SS102J
	R 3729	RS1/10SR0R0J	R 4058	RS1/16SS103J
	R 3731	RS1/10SR0R0J	R 4059	RS1/16SS103J
	R 3732	RS1/16SS0R0J	R 4060	RS1/16SS103J
	R 3734	RS1/16SS4702D	R 4061	RS1/16SS103J
	R 3735	RS1/16SS4702D	R 4062	RS1/16SS0R0J
	R 3736	RS1/16SS4702D	R 4063	RS1/10SR0R0J
F	R 3801 0.03 ohm	CCN1322	R 4064	RS1/10SR0R0J
	R 3802 0.03 ohm	CCN1322	R 4065	RS1/16SS103J
	R 3803	RS1/16SS104J	R 4066	RS1/16SS0R0J
	R 3804	RS1/16SS473J	R 4067	RS1/16SS470J

5		6	7		8	
<u>Circuit Symbol and No.</u>		<u>Part No.</u>	<u>Circuit Symbol and No.</u>		<u>Part No.</u>	
R	4068	RS1/16SS470J	R	6724	RS1/16SS103J	
R	4069	RS1/16SS470J	R	6735	RS1/16SS103J	
R	4070	RS1/16SS470J	R	6737	RS1/16SS103J	
R	4071	RS1/16SS470J	R	6741	RS1/10SR4702D	
R	4072	RS1/16SS470J	R	6742	RS1/4SA101J	
R	4073	RS1/16SS470J	R	6744	RS1/10SR3901D	
R	4074	RS1/16SS470J	R	6745	RS1/10SR1202D	
R	4075	RS1/16SS470J	R	6746	RS1/10SR683J	
R	4076	RS1/16SS470J	R	6752	RS1/10SR102J	
R	4077	RS1/16SS470J	R	6753	0.015 ohm	CCN1467
R	4078	RS1/16SS470J	R	6754	0.015 ohm	CCN1467
R	4079	RS1/16SS470J	R	6770	RS1/16SS103J	
R	4080	RS1/16SS470J	R	6787	RS1/16SS332J	
R	4081	RS1/16SS470J	R	6788	RS1/16SS221J	
R	4082	RS1/16SS470J	R	6789	RS1/16SS103J	
R	4083	RS1/16SS470J	R	6791	RS1/10SR101J	
R	4084	RS1/16SS470J	R	6792	RS1/4SA101J	
R	4085	RS1/16SS470J	R	6796	RS1/16SS0R0J	
R	4086	RS1/16SS0R0J	R	6797	RS1/10SR101J	
R	4101 (A, B)	RS1/16SS101J	R	6798	RS1/10SR221J	
R	4102 (A, B)	RS1/16SS103J	R	6801	RS1/10SR101J	
R	4103 (A, B)	RS1/16SS0R0J	R	6803	RS1/10SR0R0J	
R	4104 (A, B)	RS1/16SS0R0J	R	6809	RS1/16SS101J	
R	4105 (A, B)	RS1/16SS104J	R	6810	RS1/10SR101J	
R	4108 (A, B)	RS1/16SS102J	R	6811	RS1/16SS220J	
R	4109 (A, B)	RS1/16SS102J	R	6813	RS1/16SS103J	
R	4112 (A, B)	RS1/16SS0R0J	R	6814	RS1/16SS103J	
R	4113 (A, B)	RS1/16SS0R0J	R	6819	RS1/10SR103J	
R	4114 (A, B)	RS1/16SS0R0J	R	6825	RS1/16SS101J	
R	4202	RS1/10SR0R0J	R	6830	RS1/10SR101J	
R	4203	RS1/10SR0R0J	R	6831	RS1/10SR0R0J	
R	4204	RS1/16SS0R0J	R	6832	RS1/10SR0R0J	
R	4205	RS1/16SS0R0J	R	6833	RS1/16SS472J	
R	4206	RS1/16SS0R0J	R	6834	RS1/16SS472J	
R	4207	RS1/16SS0R0J	R	6835	RS1/16SS103J	
R	4208	RS1/16SS0R0J	R	6838	RS1/16SS0R0J	
R	4209	RS1/16SS472J	R	6961	RS1/16SS472J	
R	4210	RS1/16SS472J	R	6962	RS1/16SS472J	
R	4211	RS1/16SS472J	R	6963	RS1/16SS472J	
R	4212	RS1/16SS472J	R	6968	RS1/16SS222J	
R	4213	RS1/16SS472J	R	6972	RS1/16SS0R0J	
R	4214	RS1/16SS472J	R	6975	RS1/16SS105J	
R	4215	RS1/16SS472J	R	6979	RS1/16SS103J	
R	4216	RS1/16SS472J	R	6987	RS1/16SS104J	
R	4217	RS1/16SS472J	R	6989	RS1/16SS104J	
R	4218	RS1/16SS472J	R	6990	RS1/16SS222J	
R	4219	RS1/16SS472J	R	6991	RS1/16SS222J	
R	4220	RS1/16SS472J	R	6992	RS1/16SS222J	
R	4221	RS1/16SS472J	R	6994	RS1/16SS222J	
R	4222	RS1/16SS104J	R	6998	RS1/16SS104J	
R	4223	RS1/16SS472J	R	7061	RS1/16SS0R0J	
R	4224	RS1/16SS472J	R	7062	RS1/16SS562J	
R	4225	RS1/16SS472J	R	7063	RS1/16SS0R0J	
R	4226	RS1/16SS472J	R	7064	RS1/16SS473J	
R	4227	RS1/16SS472J	R	7067	RS1/16SS220J	
R	4228	RS1/16SS472J	R	7068	RS1/16SS220J	
R	4229	RS1/16SS472J	R	7069	RS1/16SS220J	
R	4230	RS1/16SS472J	R	7070	RS1/16SS220J	
R	4234	RS1/16SS104J	R	7071	RS1/16SS220J	
R	6722	RS1/16SS221J	R	7072	RS1/16SS220J	

	1	2	3	4
	<u>Circuit Symbol and No.</u>	<u>Part No.</u>	<u>Circuit Symbol and No.</u>	<u>Part No.</u>
	R 7074	RS1/16SS0R0J	R 7163	RS1/16SS220J
	R 7077	RS1/16SS0R0J	R 7164	RS1/16SS220J
	R 7078	RS1/16SS0R0J	R 7165	RS1/16SS220J
A	R 7079	RS1/16SS470J	R 7166	RS1/16SS220J
	R 7080 (A, B)	RS1/16SS470J	R 7167	RS1/16SS220J
	R 7081	RS1/16SS0R0J	R 7168	RS1/16SS220J
	R 7082	RS1/16SS560J	R 7169	RS1/16SS220J
	R 7083	RS1/16SS560J	R 7170	RS1/16SS220J
	R 7084	RS1/16SS560J	R 7172	RS1/16SS222J
	R 7085	RS1/16SS560J	R 7173	RS1/16SS220J
	R 7086	RS1/16SS560J	R 7174	RS1/16SS0R0J
	R 7087	RS1/16SS560J	R 7176	RS1/16SS271J
	R 7088	RS1/16SS560J	R 7177	RS1/16SS271J
	R 7089	RS1/16SS560J	R 7185	RS1/16SS220J
B	R 7090	RS1/16SS560J	R 7187	RS1/16SS0R0J
	R 7092	RS1/16SS470J	R 7188	RS1/16SS220J
	R 7094	RS1/16SS0R0J	R 7191	RS1/16SS0R0J
	R 7095	RS1/16SS331J	R 7192	RS1/16SS0R0J
	R 7096	RS1/16SS331J	R 7193	RS1/16SS0R0J
	R 7098	RS1/16SS680J	R 7194	RS1/16SS330J
	R 7099	RS1/16SS680J	R 7195	RS1/16SS680J
	R 7107	RS1/16SS103J	R 7196	RS1/16SS102J
	R 7108	RS1/16SS103J	R 7197	RS1/16SS102J
	R 7109	RS1/16SS102J	R 7198	RS1/16SS101J
	R 7110	RS1/16SS102J	R 7199	RS1/16SS330J
C	R 7113	RS1/16SS103J	R 7200	RS1/16SS0R0J
	R 7115	RS1/16SS220J	R 7201	RS1/16SS0R0J
	R 7116	RS1/16SS222J	R 7202	RS1/16SS0R0J
	R 7117	RS1/16SS222J	R 7203	RS1/16SS0R0J
	R 7118	RS1/16SS222J	R 7204	RS1/16SS0R0J
	R 7119	RS1/16SS222J	R 7205	RS1/16SS0R0J
	R 7121	RS1/16SS473J	R 7206	RS1/16SS0R0J
	R 7122	RS1/16SS220J	R 7207	RS1/16SS0R0J
	R 7123	RS1/16SS103J	R 7208	RS1/16SS0R0J
	R 7124	RS1/16SS103J	R 7402	RS1/16SS222J
D	R 7125	RS1/16SS0R0J	R 7403	RS1/16SS103J
	R 7126	RS1/16SS103J	R 7406	RS1/16SS222J
	R 7127	RS1/16SS222J	R 7407	RS1/16SS0R0J
	R 7128	RS1/16SS222J	R 7408 (A)	RS1/16SS101J
	R 7129	RS1/16SS103J	R 7409 (A)	RS1/16SS0R0J
	R 7133	RS1/16SS220J	R 7410	RS1/16SS222J
	R 7134	RS1/16SS0R0J	R 7411	RS1/16SS222J
	R 7135	RS1/16SS0R0J	R 7412	RS1/16SS222J
	R 7136	RS1/16SS0R0J	R 7414 (A)	RS1/16SS221J
	R 7141	RS1/16SS330J	R 7415 (A)	RS1/16SS221J
	R 7144	RS1/16SS330J	R 7416	RS1/16SS222J
E	R 7149	RS1/16SS220J	R 7417	RS1/16SS222J
	R 7150	RS1/16SS220J	R 7418	RS1/16SS222J
	R 7151	RS1/16SS220J	R 7420 (B)	RS1/16SS101J
	R 7152	RS1/16SS220J	R 7421 (B)	RS1/16SS0R0J
	R 7153	RS1/16SS220J	R 7422 (B)	RS1/16SS221J
	R 7154	RS1/16SS220J	R 7423 (B)	RS1/16SS221J
	R 7155	RS1/16SS220J	R 7424	RS1/16SS111J
	R 7156	RS1/16SS220J	R 7425	RS1/16SS330J
	R 7157	RS1/16SS220J	R 7426	RS1/16SS220J
	R 7158	RS1/16SS220J	R 7461	RS1/16SS2400F
F	R 7159	RS1/16SS220J	R 7462	RS1/16SS103J
	R 7160	RS1/16SS220J	R 7463	RAB4CQ330J
	R 7161	RS1/16SS220J	R 7464	RAB4CQ330J
	R 7162	RS1/16SS220J	R 7465	RAB4CQ330J



	1	2	3	4
	<u>Circuit Symbol and No.</u>	<u>Part No.</u>	<u>Circuit Symbol and No.</u>	<u>Part No.</u>
	C 3107	CKSRAYX106M10	C 3419 (B, C, D)	CKSSYX105K16
	C 3108	CKSRAYX106M10	C 3420	CKSTYX104K10
	C 3109	CKSTYX104K10	C 3421	CKSTYX104K10
A	C 3110	CKSTYX104K10	C 3422	CKSSYX105K16
	C 3111	CKSSBYX225M16	C 3423	CKSSYX105K16
	C 3113	CCSTCH101J50	C 3424	CKSSYX105K16
	C 3114	CKSSYX224K16	C 3425	CKSRAYX106M10
	C 3115	CKSSYX105K16	C 3426 (B, C, D)	CKSSYX105K16
	C 3116	CCSTCH6R0D50	C 3427 (B, C, D)	CKSSYX105K16
	C 3117	CCSTCH220J50	C 3428 (B, C, D)	CKSSYX105K16
	C 3118	CKSTYX104K10	C 3430	CKSTYX104K10
	C 3119	CKSQYX226M16	C 3431	CKSTYX102K50
	C 3120	CCSTCH6R0D50	C 3432	CKSTYX102K50
	C 3121	CKSTYX102K50	C 3433	CKSTYX103K16
B	C 3123	CKSRYX106M6R3	C 3434	CKSSYX474K6R3
	C 3124	CKSTYX104K10	C 3435	CKSSYX474K6R3
	C 3125	CKSSYX105K16	C 3436	CKSSYX474K6R3
	C 3126	CKSTYX104K10	C 3437	CKSTYX104K10
	C 3128	CCSTCH101J50	C 3438	CKSTYX104K10
	C 3129	CKSSYX105K16	C 3439	CKSTYX102K50
	C 3131	CKSSAYX474K16	C 3440	CKSTYX104K10
	C 3132	CKSRAYX106M10	C 3441	CKSSYX105K16
	C 3133	CKSRAYX106M10	C 3442	CKSTYX104K10
	C 3134	CKSTYX104K10	C 3443	CKSTYX104K10
	C 3135	CKSTYX104K10	C 3444	CKSTYX104K10
C	C 3136	CKSSBYX225M16	C 3445	CKSTYX104K10
	C 3137	CKSSBYX225M16	C 3446	CKSTYX104K10
	C 3138	CKSTYX104K10	C 3447	CKSTYX104K10
	C 3140	CCSTCH470J50	C 3448	CCSTCH8R0D50
	C 3141	CCSTCH470J50	C 3449	CCSTCH150J50
	C 3142	CCSTCH470J50	C 3451	CKSTYX103K16
	C 3143	CKSTYX331K50	C 3452	CKSTYX104K10
	C 3201	CKSTYX104K10	C 3453	CKSTYX104K10
	C 3203	CKSRAYX106M10	C 3458	CKSTYX104K10
	C 3204	CEVW101M16	C 3501	CKSTYX104K10
D	C 3303	CCSTCH100D50	C 3502	CKSTYX104K10
	C 3305	CCSTCH120J50	C 3503	CKSTYX104K10
	C 3306	CCSTCH150J50	C 3504	CKSTYX103K16
	C 3307	CKSTYX104K10	C 3505	CKSTYX103K16
	C 3312	CKSTYX104K10	C 3506	CKSRAYX106M10
	C 3313	CKSTYX103K16	C 3507	CKSTYX103K16
	C 3314	CKSRYX475K16	C 3508	CKSTYX103K16
	C 3315	CKSTYX103K16	C 3509	CKSRAYX106M10
	C 3318	CKSTYX104K10	C 3510	CKSRAYX106M10
	C 3319	CKSTYX103K16	C 3511	CCSTCH101J50
	C 3321	CCSTCH100D50	C 3701	CCSTCH101J50
E	C 3402 (B, C, D)	CKSTYX104K10	C 3702	CCSTCH101J50
	C 3403 (B, C, D)	CKSTYX104K10	C 3703	CKSTYX102K50
	C 3404 (B, C, D)	CKSTYX104K10	C 3704	CKSTYX103K16
	C 3405 (B, C, D)	CKSTYX104K10	C 3705	CKSTYX104K10
	C 3406 (B, C, D)	CKSSYX105K16	C 3706	CKSTYX104K10
	C 3408 (B, C, D)	CKSTYX104K10	C 3707	CKSTYX103K16
	C 3409 (B, C, D)	CKSSYX105K16	C 3708	CCSTCH101J50
	C 3410 (B, C, D)	CKSSYX105K16	C 3709	CKSTYX104K10
	C 3412 (B, C, D)	CKSSYX105K16	C 3711	CKSTYX104K10
	C 3413 (B, C, D)	CKSSYX105K16	C 3714	CKSTYX104K10
F	C 3414 (B, C, D)	CKSTYX104K10	C 3715	CKSTYX104K10
	C 3415 (B, C, D)	CKSSYX105K16	C 3716	CKSTYX102K50
	C 3416 (B, C, D)	CKSSYX105K16	C 3717	CKSTYX104K10
	C 3418 (B, C, D)	CKSSYX105K16	C 3801	CEVW100M16

5		6		7		8	
<u>Circuit Symbol and No.</u>		<u>Part No.</u>		<u>Circuit Symbol and No.</u>		<u>Part No.</u>	
C	3802	CKSQYX226M16		C	4053	CKSSYX105K16	
C	3803	CKSTYX104K35		C	4101 (A, B)	CKSTYX104K10	
C	3804	CKSTYX104K35		C	4103 (A, B)	CKSTYX104K10	
C	3805	CKSTYX104K35		C	4104 (A, B)	CKSTYX104K10	A
C	3806	CKSQYX106K35		C	4201	CKSSYX105K16	
C	3807	CEVW470M25		C	4203	CKSSYX105K16	
C	3808	CKSTYX104K35		C	4205	CKSTYX104K25	
C	3809	CKSTYX104K35		C	4206	CKSTYX104K25	
C	3810	CKSRYX475K16		C	4207	CKSTYX104K25	
C	3811	CKSTYX104K35		C	4208	CKSTYX104K25	
C	3812	CKSQYX226M16		C	4209	CKSTYX104K25	
C	3813	CKSQYX226M16		C	4210	CKSTYX104K25	
C	3814	CKSQYX226M16		C	4211	CKSTYX104K25	
C	3815	CKSQYX226M16		C	4212	CKSTYX104K25	
C	3816	CKSQYX226M16		C	4213	CKSSYX105K16	B
C	3822	CKSTYX101K50		C	4214	CKSSYX105K16	
C	3823	CKSTYX104K35		C	6706	CKSTYX104K10	
C	3824	CKSTYX104K35		C	6726	CKSSYX105K16	
C	3825	CKSTYX471K25		C	6730	CKSRYX106M6R3	
C	3826	CKSTYX471K25		C	6739	CKSTYX332K25	
C	3827	CEVW221M10		C	6740	CKSTYX103K16	
C	4005	CKSRAYX106M10		C	6741	CKSRYX474K50	
C	4006	CKSRAYX106M10		C	6742	CKSRAYX106M10	
C	4007	CKSRAYX106M10		C	6743	CCSTCH330J50	
C	4008	CKSRAYX106M10		C	6744	CKSRAYX106M10	C
C	4009	CKSTYX104K10		C	6745 10 uF	CCG1236	
C	4010	CKSTYX104K10		C	6746 10 uF	CCG1236	
C	4011	CKSTYX104K10		C	6747	CKSQYX476M6R3	
C	4012	CCSTCH7R0D50		C	6748	CCSTCH680J50	
C	4013	CCSTCH8R0D50		C	6751	CKSRAYX106M10	
C	4016	CKSTYX104K10		C	6752	CKSRAYX106M10	
C	4018	CCSTCH470J50		C	6753	CKSQYX476M6R3	
C	4019	CKSTYX104K10		C	6755	CKSRAYX226M6R3	
C	4020	CKSTYX104K10		C	6757	CKSSBYX225M16	
C	4021	CKSTYX104K10		C	6758 0.22 uF	CCG1313	
C	4022	CKSTYX104K10		C	6759	CKSRYX106M6R3	D
C	4023	CKSTYX104K10		C	6761	CKSRYX474K50	
C	4024	CKSTYX104K10		C	6762	CKSRAYX106M10	
C	4025	CKSTYX104K10		C	6764	CKSRAYX106M10	
C	4026	CKSTYX104K10		C	6766	CKSRAYX106M10	
C	4027	CKSTYX104K10		C	6768	CKSRYX475K16	
C	4028	CKSTYX104K10		C	6770	CKSQYX226M16	
C	4029	CKSTYX104K10		C	6771	CKSYX476M16	
C	4030	CKSTYX104K10		C	6772	CKSYX476M16	
C	4031	CKSTYX104K10		C	6773	CKSYX476M16	
C	4032	CKSTYX104K10		C	6774 1 uF	CCG1404	
C	4033	CKSTYX104K10		C	6776 0.1 uF	CCG1321	E
C	4034	CKSTYX104K10		C	6777	CKSSYX105K16	
C	4035	CKSTYX104K10		C	6778	CKSSYX105K16	
C	4036	CKSTYX104K10		C	6791	CKSRYX106M6R3	
C	4037	CKSTYX102K50		C	6792	CKSSBYX225M16	
C	4039	CKSTYX104K10		C	6793	CKSRYX106M6R3	
C	4040	CKSRAYX106M10		C	6796	CKSTYX104K10	
C	4041	CKSSBYX225M16		C	6799 1 uF	CCG1404	
C	4042	CKSSBYX225M16		C	6803	CKSTYX104K10	
C	4043	CKSSBYX225M16		C	6804	CCSTCH102J25	
C	4044	CKSTYX104K10		C	6813 1 uF	CCG1404	F
C	4048	CCSTCH100D50		C	6821	CKSRYX474K50	
C	4050	CKSTYX104K10		C	6831	CKSQYX476M6R3	
C	4052	CKSSYX105K16		C	6832	CKSQYX476M6R3	

1

**Circuit Symbol and No.**

2

**Part No.**

3

**Circuit Symbol and No.**

4

**Part No.**

	C	6833	CKSSBYX225M16	C	6893	CKSTYX104K10
	C	6834	CKSSBYX225M16	C	6894	CKSTYX104K10
	C	6835	CKSSBYX225M16	C	6895	CKSTYX104K10
A	C	6836	CKSSBYX225M16	C	6896	CKSTYX104K10
	C	6837	CKSSBYX225M16	C	6897	CKSTYX104K10
	C	6838	CKSSYX105K16	C	6898	CKSTYX104K10
	C	6839	CKSSYX105K16	C	6899	CKSTYX104K10
	C	6840	CKSSYX105K16	C	6900	CKSTYX104K10
	C	6841	CKSSBYX225M16	C	6901	CKSTYX104K10
	C	6842	CKSSBYX225M16	C	6902	CKSTYX104K10
	C	6843	CKSTYX104K10	C	6903	CKSTYX104K10
	C	6844	CKSTYX104K10	C	6904	CKSTYX104K10
	C	6845	CKSTYX104K10	C	6905	CKSTYX104K10
	C	6846	CKSTYX104K10	C	6906	CKSTYX104K10
B	C	6847	CKSTYX104K10	C	6907	CKSTYX104K10
	C	6848	CKSTYX104K10	C	6908	CKSTYX104K10
	C	6849	CKSTYX104K10	C	6909	CKSTYX104K10
	C	6850	CKSTYX104K10	C	6910	CKSTYX104K10
	C	6851	CKSTYX104K10	C	6911	CKSTYX104K10
	C	6852	CKSTYX104K10	C	6912	CKSTYX104K10
	C	6853	CKSTYX104K10	C	6913	CKSTYX104K10
	C	6854	CKSTYX104K10	C	6914	CKSTYX104K10
	C	6855	CKSTYX104K10	C	6915	CKSTYX104K10
	C	6856	CKSTYX104K10	C	6916	CKSTYX104K10
	C	6857	CKSTYX104K10	C	6917	CKSTYX104K10
C	C	6858	CKSTYX104K10	C	6918	CKSTYX104K10
	C	6859	CKSTYX104K10	C	6919	CKSTYX104K10
	C	6860	CKSTYX104K10	C	6920	CKSTYX104K10
	C	6861	CKSTYX104K10	C	6921	CKSTYX104K10
	C	6862	CKSTYX104K10	C	6922	CKSTYX104K10
	C	6863	CKSTYX104K10	C	6923	CKSTYX104K10
	C	6864	CKSTYX104K10	C	6924	CKSTYX104K10
	C	6865	CKSTYX104K10	C	6925	CKSTYX104K10
	C	6866	CKSTYX104K10	C	6926	CKSTYX104K10
	C	6867	CKSTYX104K10	C	6927	CKSTYX104K10
D	C	6868	CKSTYX104K10	C	6928	CKSTYX104K10
	C	6869	CKSTYX104K10	C	6929	CKSTYX104K10
	C	6870	CKSTYX104K10	C	6930	CKSTYX104K10
	C	6871	CKSTYX104K10	C	6931	CKSTYX104K10
	C	6872	CKSTYX104K10	C	6932	CKSTYX104K10
	C	6873	CKSTYX104K10	C	6933	CKSTYX104K10
	C	6874	CKSTYX104K10	C	6934	CKSTYX104K10
	C	6875	CKSTYX104K10	C	6935	CKSTYX104K10
	C	6876	CKSTYX104K10	C	6936	CKSTYX102K50
	C	6877	CKSTYX104K10	C	6937	CKSTYX104K10
	C	6878	CKSRYX106M6R3	C	6938	CKSTYX102K50
E	C	6879	CKSRYX106M6R3	C	6939	CKSTYX104K10
	C	6880	CKSRYX106M6R3	C	6940	CKSTYX102K50
	C	6881	CKSTYX104K10	C	6941	CKSTYX104K10
	C	6882	CKSTYX104K10	C	6942	CKSTYX104K10
	C	6883	CKSTYX104K10	C	6943	CKSTYX104K10
	C	6884	CKSRYX106M6R3	C	6944	CKSTYX104K10
	C	6885	CKSRYX106M6R3	C	6945	CKSTYX104K10
	C	6886	CKSRYX106M6R3	C	6946	CKSTYX104K10
	C	6887	CKSRYX106M6R3	C	6947	CKSTYX104K10
	C	6888	CKSSBYX225M16	C	6948	CKSTYX104K10
F	C	6889	CKSSYX105K16	C	6949	CKSTYX104K10
	C	6890	CKSSYX105K16	C	6950	CKSTYX104K10
	C	6891	CKSSYX105K16	C	6951	CKSSBYX225M16
	C	6892	CKSTYX104K10	C	6952	CKSSYX105K16

1

2

3

4

5		6		7		8	
<u>Circuit Symbol and No.</u>		<u>Part No.</u>		<u>Circuit Symbol and No.</u>		<u>Part No.</u>	
C	6953		CKSTYX104K10	C	7625		CKSTYX104K10
C	6962		CKSTYX102K50	C	7626		CKSTYX104K10
C	6965		CCSTCH8R0D50	C	7627		CKSTYX104K10
C	6966		CCSTCH8R0D50	C	7628		CKSTYX104K10
C	7001		CCSTCH470J50	C	7629		CKSRYX106M6R3
C	7101		CCSTCH470J50	C	7630		CKSRYX106M6R3
C	7102		CCSTCH470J50	C	7631		CKSTYX104K10
C	7401		CKSTYX104K10	C	7632		CKSTYX104K10
C	7402		CCSTCH470J50	C	7633		CKSTYX104K10
C	7403		CCSTCH470J50	C	7634		CKSTYX104K10
C	7461		CKSTYX104K10	C	7635		CKSTYX104K10
C	7462		CKSTYX104K10	C	7636		CKSTYX104K10
C	7463		CKSTYX104K10	C	7637		CKSTYX104K10
C	7464		CKSTYX104K10	C	7638		CKSTYX104K10
C	7465		CKSTYX104K10	C	7639		CKSTYX104K10
C	7466		CKSTYX104K10	C	7640		CKSTYX104K10
C	7467		CKSTYX104K10	C	7641		CKSTYX104K10
C	7468		CKSTYX104K10	C	7642		CKSTYX104K10
C	7469		CKSTYX104K10	C	7643		CKSTYX104K10
C	7470		CKSTYX104K10	C	7644		CKSTYX104K10
C	7475		CCSTCH101J50	C	7645		CKSTYX104K10
C	7476		CCSTCH101J50	C	7646		CKSTYX104K10
C	7491		CKSTYX104K10	C	7647		CKSTYX104K10
C	7492		CKSTYX104K10	C	7648		CKSTYX104K10
C	7493		CKSRAYX106M10	C	7649		CKSTYX104K10
C	7494		CKSTYX102K50	C	7650		CKSTYX104K10
C	7591		CKSRYX106M6R3	C	7651		CKSTYX104K10
C	7592		CKSRYX106M6R3	C	7652		CKSTYX103K16
C	7593		CKSTYX104K10	C	7653		CKSTYX104K10
C	7594		CKSTYX104K10	C	7654		CKSTYX103K16
C	7595		CKSTYX104K10	C	7655		CKSRYX106M6R3
C	7596		CKSTYX104K10	C	7656		CKSTYX104K10
C	7597		CKSTYX104K10	C	7657		CKSRYX106M6R3
C	7598		CKSTYX104K10	C	7658		CKSTYX104K10
C	7599		CKSTYX104K10	C	7659		CKSTYX104K10
C	7600		CKSTYX104K10	C	7660		CKSTYX104K10
C	7601		CKSTYX104K10	C	7661		CKSTYX104K10
C	7602		CKSTYX104K10	C	7662		CKSTYX104K10
C	7603		CKSTYX104K10	C	7663		CKSTYX104K10
C	7604		CKSTYX104K10	C	7664		CKSTYX104K10
C	7605		CKSTYX104K10	C	7665		CKSTYX104K10
C	7606		CKSTYX104K10	C	7666		CKSTYX104K10
C	7607		CKSTYX104K10	C	7681		CKSTYX104K10
C	7608		CKSTYX104K10	C	7682		CKSTYX104K10
C	7609		CKSTYX104K10	C	7691		CKSSBYX225M16
C	7610		CKSTYX104K10	C	7692		CKSTYX104K10
C	7611		CKSTYX104K10	C	7693		CKSSYX105K16
C	7612		CKSTYX104K10	C	7694		CKSTYX104K10
C	7613		CKSTYX104K10	C	7695		CKSTYX104K10
C	7614		CKSTYX103K16	C	7696		CKSTYX104K10
C	7615		CKSTYX104K10	C	7697		CKSYX476M16
C	7616		CKSTYX103K16	C	7698		CKSSBYX225M16
C	7617		CKSRYX106M6R3	C	7699		CKSTYX104K10
C	7618		CKSTYX104K10	C	7700		CKSTYX104K10
C	7619		CKSRYX106M6R3	C	7701		CKSTYX104K10
C	7620		CKSTYX104K10	C	7702		CKSTYX104K10
C	7621		CKSTYX104K10	C	7703		CKSTYX104K10
C	7622		CKSTYX104K10	C	7704		CKSTYX104K10
C	7623		CKSTYX104K10	C	7751		CKSSYX105K16
C	7624		CKSTYX104K10	C	7752		CKSTYX104K10

**1**  
Circuit Symbol and No.

**2**  
Part No.

**3**  
Circuit Symbol and No.

**4**  
Part No.

**C**

**Unit Number : CWX4989**  
**Unit Name : CHIPS C Unit**

MISCELLANEOUS

IC 9601	IC	UBX-M8030-KT
IC 9651	Flash Blank UC IC	R5S726A0D216FP
IC 9652	Flash ROM Unit	CVQ1273
IC 9653	Reset IC	PST8227N
IC 9654	Regulator IC	MM3411Z12N
D 9651	Switching Diode	1SS355VM
L 9601	Inductor	CTF1795
L 9602	Inductor	LCYB8N2J1005
L 9604	Chip Ferrite Beads	OTL8019
L 9605	Chip Ferrite Beads	OTL8019
L 9651	Chip Ferrite Beads	OTL8019
L 9652	Chip Ferrite Beads	OTL8019
L 9653	Chip Ferrite Beads	OTL8019
X 9601	Crystal Oscillator 26 MHz	CWX4769
X 9602	Crystal Resonator 32.765 kHz	CSS1880
X 9651	Crystal Resonator 10 MHz	CSS1799
SN 9601	Sensor	CSX1405
CN 9601	Connector	CKS5204

RESISTORS

R 9602	RS1/16SS0R0J
R 9604	RS1/16SS101J
R 9605	RS1/16SS103J
R 9608	RS1/16SS101J
R 9623	RS1/16SS0R0J
R 9659	RS1/16SS272J
R 9660	RS1/16SS272J
R 9661	RS1/16SS330J
R 9662	RS1/16SS330J
R 9663	RS1/16SS473J
R 9664	RS1/16SS473J
R 9665	RS1/16SS473J
R 9666	RS1/16SS101J
R 9667	RS1/16SS101J
R 9668	RS1/16SS103J
R 9669	RS1/16SS101J
R 9670	RS1/16SS101J
R 9671	RS1/16SS103J
R 9672	RS1/16SS101J
R 9673	RS1/16SS101J
R 9674	RS1/16SS101J
R 9675	RS1/16SS101J
R 9676	RAB4CQ473J
R 9677	RS1/16SS473J
R 9678	RS1/16SS473J
R 9679	RS1/16SS473J
R 9680	RS1/16SS473J
R 9681	RS1/16SS392J
R 9682	RS1/16SS104J
R 9685	RS1/16SS473J
R 9686	RS1/16SS473J
R 9688	RS1/16SS473J
R 9689	RS1/16SS473J

R 9690	RS1/16SS101J
R 9691	RS1/16SS101J
R 9693	RS1/16SS101J
R 9694	RS1/16SS103J
R 9695	RS1/16SS101J
R 9696	RS1/16SS101J
R 9697	RS1/16SS272J

CAPACITORS

C 9506	CCSTCH101J50
C 9601	CKSTYX102K50
C 9602	CKSSYX105K16
C 9603	CKSSBYX225M10
C 9604	CKSSYX105K16
C 9605	CKSSYX105K16
C 9606	CCSTCH5R0C50
C 9607	CKSTYX104K10
C 9608	CKSSYX105K16
C 9609	CCSTCH6R0D50
C 9610	CKSSYX105K16
C 9612	CCSTCJ3R0C50
C 9613	CCSTCH470J50
C 9614	CKSTYX104K10
C 9616	CKSSYX105K16
C 9617	CKSSYX105K16
C 9618	CKSTYX104K10
C 9651	CKSTYX104K10
C 9652	CKSTYX104K10
C 9653	CKSTYX104K10
C 9654	CKSTYX104K10
C 9655	CKSTYX104K10
C 9656	CKSTYX104K10
C 9657	CKSTYX104K10
C 9658	CKSTYX104K10
C 9659	CKSTYX104K10
C 9660	CKSTYX104K10
C 9661	CKSTYX104K10
C 9662	CKSTYX104K10
C 9663	CCSTCJ3R0C50
C 9664	CKSTYX104K10
C 9665	CKSTYX104K10
C 9666	CKSTYX104K10
C 9667	CKSTYX104K10
C 9668	CKSTYX104K10
C 9669	CKSTYX104K10
C 9670	CKSTYX104K10
C 9671	CKSTYX104K10
C 9672	CKSSYX105K16
C 9673	CCSTCH120J50
C 9674	CCSTCH120J50
C 9675	CKSSYX474K6R3
C 9676	CKSSYX474K6R3

**D**

**Unit Number : CXY5433**  
**Unit Name : Service Unit (Monitor)**

5		6		7		8	
<u>Circuit Symbol and No.</u>		<u>Part No.</u>		<u>Circuit Symbol and No.</u>		<u>Part No.</u>	
<b>MISCELLANEOUS</b>				R	5017	RS1/16SS181J	
IC	5001	Regulator IC	MM3702A33P	R	5018	RS1/16SS330J	
IC	5101	Display IC	OZ5271LN	R	5019	RS1/16SS272J	
IC	5201	DC/DC CONV IC	R1294L102A	R	5020	RS1/16SS181J	A
IC	5300	OP AMP IC	NJM2904CRB1	R	5021	RS1/16SS272J	
IC	5401	ROM IC	BR24T04FV-W	R	5022	RS1/16SS330J	
				R	5023	RS1/16SS181J	
IC	5402	Interface IC	CXD4934GG	R	5024	RS1/16SS272J	
IC	5403	Regulator IC	MM3411A18N	R	5025	RS1/16SS330J	
IC	5404	Regulator IC	MM3411A12N				
IC	5501	IC	ATMXT449TD-AT	R	5026	RS1/16SS181J	
Q	5001	Bipolar TR	HN1C01FUS1	R	5027	RS1/16SS272J	
				R	5028	RS1/16SS330J	
Q	5002	Bipolar TR	HN1C01FUS1	R	5029	RS1/16SS181J	
Q	5003	Bipolar TR	HN1C01FUS1	R	5030	RS1/16SS330J	
Q	5004	Bipolar TR	HN1C01FUS1				
Q	5005	Bipolar TR	HN1C01FUS1	R	5031	RS1/16SS272J	B
Q	5006	Bipolar TR	HN1C01FUS1	R	5032	RS1/16SS181J	
				R	5033	RS1/16SS272J	
Q	5201	Resistor Built-IN TR	LTC024EEB	R	5034	RS1/16SS330J	
Q	5202	Bipolar TR	LSAR523UB	R	5035	RS1/16SS181J	
Q	5203	Transistor	2SAR502UB				
Q	5204	Bipolar TR	LSCR523UB	R	5036	RS1/16SS272J	
D	5101	Schottky Diode	RB162MM-40TF	R	5037	RS1/16SS272J	
				R	5038	RS1/16SS272J	
D	5201	Schottky Diode	RB060MM-30TF	R	5039	RS1/16SS272J	
D	5202	Diode	RB548W	R	5040	RS1/16SS272J	
D	5204	Diode	RB548W				
L	5101	Inductor	BTH1112	R	5041	RS1/16SS272J	C
L	5201	SMD SPL Inductor	CTH1680	R	5042	RS1/16SS272J	
				R	5043	RS1/16SS272J	
L	5202	SMD Ferrite Beads	CTF1893	R	5044	RS1/16SS272J	
L	5300	SMD SPL Inductor	LCYA101J2016	R	5045	RS1/16SS332J	
L	5301	SMD Ferrite Beads	CTF1869				
L	5302	SMD Ferrite Beads	CTF1883	R	5046	RS1/16SS332J	
L	5303	SMD Ferrite Beads	CTF1883	R	5047	RS1/16SS332J	
				R	5048	RS1/16SS332J	
L	5304	SMD Ferrite Beads	CTF1883	R	5050	RS1/16SS103J	
L	5403	Inductor	CTF1778	R	5053	RS1/16SS6802D	
L	5404	Inductor	CTF1778				
L	5409	SMD Ferrite Beads	CTF1869	R	5058	RS1/16SS512J	
TH	5000	SMD Thermistor	ERTJ0ER104F	R	5103	RS1/16SS104J	D
				R	5104	RS1/16SS104J	
CN	5001	FFC/FPC Connector	CKS6635	R	5105	RS1/16SS104J	
CN	5002	Connector	CKS5560	R	5106	RS1/16SS102J	
CN	5301	FFC/FPC Connector	CKS6706				
CN	5302	FFC/FPC Connector	CKS6707	R	5107	RS1/16SS563J	
CN	5501	FFC/FPC Connector	CKS6645	R	5108	RS1/8SQ2R2J	
				R	5109	RS1/16SS104J	
				R	5110	RS1/16SS681J	
				R	5111	RS1/16SS1802D	
R	5001		RS1/16SS8R2J				
R	5002		RS1/16SS271J	R	5112	RS1/16SS101J	
R	5003		RS1/16SS332J	R	5119	RS1/16SS1003D	
R	5004		RS1/16SS8R2J	R	5120	RS1/16SS1802D	E
R	5005		RS1/16SS271J	R	5121	RS1/16SS8201F	
				R	5201	RS1/16SS1002D	
R	5006		RS1/16SS8R2J	R	5202	RS1/16SS1002D	
R	5007		RS1/16SS332J	R	5203	RS1/16SS8201D	
R	5008		RS1/16SS271J	R	5204	RS1/16SS103J	
R	5009		RS1/16SS332J	R	5206	RS1/16SS1203D	
R	5010		RS1/16SS8R2J	R	5207	RS1/16SS1802D	
R	5011		RS1/16SS271J				
R	5012		RS1/16SS332J	R	5208	RS1/16SS203J	
R	5013		RS1/16SS330J	R	5209	RS1/16SS104J	
R	5014		RS1/16SS181J	R	5210	RS1/16SS103J	F
R	5015		RS1/16SS272J	R	5211	RS1/16SS222J	
				R	5212	RS1/16SS1103D	
R	5016		RS1/16SS330J				
				R	5213	RS1/16SS1002D	

1

2

3

4

Circuit Symbol and No.Part No.Circuit Symbol and No.Part No.

R	5214	RS1/4SA100J	R	5352	RS1/16SS0R0J
R	5215	RS1/16SS1503D	R	5354	RS1/16SS0R0J
R	5216	RS1/16SS1202D	R	5401	RS1/16SS472J
A	R 5217	RS1/16SS472J	R	5402	RS1/16SS472J
R	5218	RS1/4SA100J	R	5403	RS1/16SS101J
R	5219	RS1/10SR332J	R	5404	RS1/16SS101J
R	5220	RS1/16SS103J	R	5405	RS1/16SS101J
R	5221	RS1/16SS682J	R	5406	RS1/16SS473J
R	5222	RS1/16SS103J	R	5407	RS1/16SS271J
R	5223	RS1/10SR512J	R	5409	RS1/16SS472J
R	5224	RS1/10SR682J	R	5411	RS1/16SS472J
R	5225	RS1/10SR682J	R	5412	RS1/16SS472J
R	5227	RS1/10SR103J	R	5418	RS1/16SS472J
R	5228	RS1/10SR103J	R	5419	RS1/16SS472J
B	R 5229	RS1/10SR103J	R	5426	RS1/16SS472J
R	5301	RS1/16SS181J	R	5427	RS1/16SS472J
R	5302	RS1/16SS43R0D	R	5430	RS1/16SS472J
R	5303	RS1/16SS24R0D	R	5431	RS1/16SS472J
R	5304	RS1/16SS10R0D	R	5432	RS1/16SS472J
R	5305	RS1/16SS131J	R	5433	RS1/16SS472J
R	5306	RS1/16SS75R0D	R	5436	RS1/16SS472J
R	5307	RS1/16SS39R0D	R	5437	RS1/16SS104J
R	5308	RS1/16SS39R0D	R	5438	RS1/16SS472J
R	5309	RS1/16SS51R0D	R	5439	RS1/16SS472J
C	R 5310	RS1/16SS47R0D	R	5443	RS1/10SR0R0J
R	5311	RS1/16SS68R0D	R	5501	RS1/16SS0R0J
R	5312	RS1/16SS20R0D	R	5502	RS1/16SS0R0J
R	5313	RS1/16SS47R0D	R	5503	RS1/16SS0R0J
R	5314	RS1/16SS270J	R	5504	RS1/16SS0R0J
R	5315	RS1/16SS1200D	R	5505	RS1/16SS0R0J
R	5316	RS1/16SS43R0D	R	5506	RS1/16SS0R0J
R	5317	RS1/16SS10R0D	R	5507	RS1/16SS0R0J
R	5318	RS1/16SS75R0D	R	5508	RS1/16SS0R0J
R	5319	RS1/16SS47R0D	R	5509	RS1/16SS0R0J
D	R 5320	RS1/16SS10R0D	R	5510	RS1/16SS0R0J
R	5321	RS1/16SS1200D	R	5511	RS1/16SS0R0J
R	5322	RS1/16SS43R0D	R	5512	RS1/16SS0R0J
R	5323	RS1/16SS47R0D	R	5513	RS1/16SS0R0J
R	5324	RS1/16SS270J	R	5514	RS1/16SS0R0J
R	5325	RS1/16SS68R0D	R	5515	RS1/16SS0R0J
R	5326	RS1/16SS20R0D	R	5516	RS1/16SS0R0J
R	5327	RS1/16SS51R0D	R	5517	RS1/16SS0R0J
R	5328	RS1/16SS47R0D	R	5518	RS1/16SS0R0J
R	5329	RS1/16SS39R0D	R	5519	RS1/16SS0R0J
R	5330	RS1/16SS39R0D	R	5520	RS1/16SS0R0J
R	5331	RS1/16SS131J	R	5521	RS1/16SS0R0J
E	R 5332	RS1/16SS75R0D	R	5522	RS1/16SS0R0J
R	5333	RS1/16SS24R0D	R	5523	RS1/16SS0R0J
R	5334	RS1/16SS10R0D	R	5524	RS1/16SS0R0J
R	5335	RS1/16SS1100D	R	5525	RS1/16SS0R0J
R	5336	RS1/16SS39R0D	R	5526	RS1/16SS0R0J
R	5338	RS1/16SS223J	R	5527	RS1/16SS0R0J
R	5339	RS1/16SS105J	R	5528	RS1/16SS0R0J
R	5340	RS1/16SS2402D	R	5529	RS1/16SS0R0J
R	5341	RS1/16SS3002D	R	5530	RS1/16SS0R0J
R	5342	RS1/16SS100J	R	5531	RS1/16SS0R0J
F	R 5343	RS1/16SS473J	R	5532	RS1/16SS0R0J
R	5344	RS1/16SS473J	R	5533	RS1/16SS0R0J
R	5348	RS1/16SS104J	R	5534	RS1/16SS0R0J
R	5350	RS1/16SS0R0J	R	5535	RS1/16SS104J

1

2

3

4

5		6		7		8	
<u>Circuit Symbol and No.</u>		<u>Part No.</u>		<u>Circuit Symbol and No.</u>		<u>Part No.</u>	
R	5536	RS1/16SS104J		C	5303	CKSTYX331K50	
R	5537	RS1/16SS104J		C	5304	CKSSAYX105K25	
R	5539	RS1/16SS0R0J		C	5305	CKSSAYX105K25	
R	5540	RS1/16SS0R0J		C	5306	CKSSAYX105K25	A
				C	5307	CKSSAYX105K25	
R	5541	RS1/16SS0R0J					
R	5542	RS1/16SS820J		C	5308	CKSSAYX105K25	
R	5543	RS1/16SS330J		C	5309	CKSTYX331K50	
R	5544	RS1/16SS560J		C	5316	CKSRAYX106M10	
R	5554	RS1/16SS0R0J		C	5317	CKSRAYX475K25	
				C	5319	CKSQYX475K50	
R	5555	RS1/16SS0R0J					
R	5556	RS1/16SS0R0J		C	5320	CKSTYX104K25	
R	5557	RS1/16SS0R0J		C	5321	CCG1321	
R	5558	RS1/16SS0R0J		C	5322	CKSTYX104K35	
R	5559	RS1/16SS0R0J		C	5323	CKSTYX104K35	
				C	5327	CCSTCH101J50	B
R	5561	RS1/16SS0R0J					
R	5562	RS1/16SS0R0J		C	5330	CKSSAYX105K25	
R	5563	RS1/16SS0R0J		C	5332	CKSTYX104K10	
				C	5333	CKSTYX104K10	
				C	5334	CKSTYX104K10	
				C	5335	CKSTYX104K35	
<b><u>CAPACITORS</u></b>							
C	5001	CKSTYX104K25					
C	5004	CKSTYX104K10		C	5336	CKSQYX475K50	
C	5005	CKSTYX104K10		C	5401	CKSSYX105K16	
C	5006	CKSTYX473K10		C	5402	CCSTCH181J50	
C	5007	CKSSYX105K16		C	5403	CKSTYX104K10	
				C	5404	CKSTYX104K10	
C	5008	CKSSYX105K16					C
C	5105	CKSQYX106K16		C	5405	CKSTYX104K10	
C	5107	CKSSYX105K16		C	5406	CKSTYX104K10	
C	5109	CKSSYX105K16		C	5407	CKSTYX104K10	
C	5110	CKSTYX104K25		C	5408	CKSSAYX474K16	
				C	5409	CKSSAYX474K16	
C	5111	CKSSYX105K16					
C	5112	CKSTYX332K50		C	5410	CKSSAYX474K16	
C	5113	CCSTCH101J50		C	5411	CKSSYX105K16	
C	5114	CKSSYX224K16		C	5412	CKSSYX105K16	
C	5116	CKSQYX106K35		C	5413	CKSSYX105K16	
				C	5414	CKSSYX105K16	
C	5201	CKSTYX103K16					D
C	5203	CKSSYX105K16		C	5415	CKSSYX105K16	
C	5205	CKSTYX104K25		C	5416	CKSSYX105K16	
C	5206	CKSTYX222K50		C	5417	CKSSYX105K16	
C	5207	CKSTYX102K50		C	5418	CKSTYX104K10	
				C	5419	CKSTYX104K10	
C	5208	CKSSAYX105K25					
C	5209	CKSSYX105K16		C	5421	CKSTYX104K10	
C	5210	CKSSAYX105K25		C	5422	CKSSYX105K16	
C	5213	CKSTYX104K35		C	5423	CCSTCH181J50	
C	5214	CKSTYX104K35		C	5424	CKSTYX104K10	
				C	5427	CKSSAYX474K16	
C	5217	CKSQYX475K50					
C	5218	CKSTYX103K50		C	5432	CKSSYX105K16	
C	5219	CKSSBYX475M10		C	5501	CKSTYX223K25	E
C	5220	CCSTCH101J50		C	5502	CKSTYX223K25	
C	5221	CKSTYX681K50		C	5503	CKSSAYX105K25	
				C	5504	CKSTYX223K25	
C	5222	CCG1236					
C	5223	CCG1236		C	5505	CKSTYX223K25	
C	5224	CKSTYX102K50		C	5506	CKSTYX103K50	
C	5226	CKSSAYX105K25		C	5507	CKSSBYX225M10	
C	5227	CKSRAYX106M10		C	5508	CKSSBYX225M10	
				C	5509	CKSTYX223K25	
C	5228	CKSTYX104K35					
C	5231	CKSTYX333K16		C	5510	CKSTYX223K25	
C	5232	CKSTYX471K50		C	5511	CKSTYX223K25	F
C	5301	CKSTYX331K50		C	5512	CKSTYX223K25	
C	5302	CKSTYX331K50		C	5513	CKSSBYX225M10	

**E****Unit Number : CXY6664****Unit Name : Service Unit (ILM)****MISCELLANEOUS**

D	2001	LED	NSSM124-6717
D	2002	LED	NSSM124-6717
D	2003	LED	NSSM124-6717
D	2004	LED	NSSM124-6717
U	2001	Remote Receiver Unit	RS-470
CN	2001	FFC/FPC Connector	CKS6421

**RESISTORS**

R	2001	RS1/16SS150J
R	2002	RS1/16SS150J
R	2003	RS1/16SS150J
R	2004	RS1/16SS150J
R	2005	RS1/16SS470J
R	2006	RS1/16SS390J
R	2007	RS1/16SS620J
R	2008	RS1/16SS390J
R	2009	RS1/16SS620J
R	2010	RS1/16SS390J
R	2011	RS1/16SS620J
R	2012	RS1/16SS390J
R	2013	RS1/16SS620J

**CAPACITORS**

C	2010	CKSTYX104K25
C	2011	CKSTYX104K10

**F****Unit Number : CXY6663****Unit Name : Service Unit (Antenna)****MISCELLANEOUS**

L	4301	Inductor	LCYB3N3S1005
L	4308	Inductor	LCYB3N9S1005
CN	4301	B TO W Connector	CKS6508
CN	4302	B TO W Connector	CKS6508

**RESISTORS**

R	4304	RS1/16SS0R0J
R	4307	RS1/20S0R0J

**CAPACITORS**

C	4301	1.5 pF	CCG1370
C	4302		CCSTCK1R0C50
C	4303		CCSTCK2R0C50
C	4304		CCSTCK1R0C50
C	4305		CCSTCKR50C50
C	4306		CCSTCKR50C50
C	4307		CCSTCK1R0C50
C	4308		CCSTCK1R0C50