

JVC

PARTS LIST

CD RECEIVER

KD-AHD65J

KD-HDR61J



■ PRECAUTIONS ON SCHEMATIC DIAGRAMS

- Due to the improvement in performance, some part numbers shown in the circuit diagrams may not agree with those indicated in the Parts List.
- The parts numbers, values and rated voltage etc. in the Schematic Diagrams are for reference only.
- Since the circuit diagrams are standard ones, the circuits and circuit constants may be subject to change for improvement without any notice.

■ PRECAUTIONS ON PARTS LIST

- The parts identified by the \triangle symbol are critical for safety. Whenever replacing these parts, be sure to use specified ones to secure the safety.
- The parts not indicated in this Parts List and those which are filled with lines --- in the Parts No. columns will not be supplied.
- P.W. BOARD Ass'y will not be supplied, but those which are filled with the Parts No. in the Parts No. columns will be supplied.
- When ordering chips, screws etc., place bulk orders (unit of tens) whenever possible to improve shipping efficiency.
- There are cases where the actual implemented parts in the sets and the service parts are different. When ordering parts, make sure to refer to the Parts List.

■ PRECAUTIONS ON SERVICE

Certain parts of the power circuits and the GNDs differ according to the models. Care must be taken for the following points as the differences are indicated separately in the LIVE GND () and the ISOLATED (NEUTRAL) GND () .

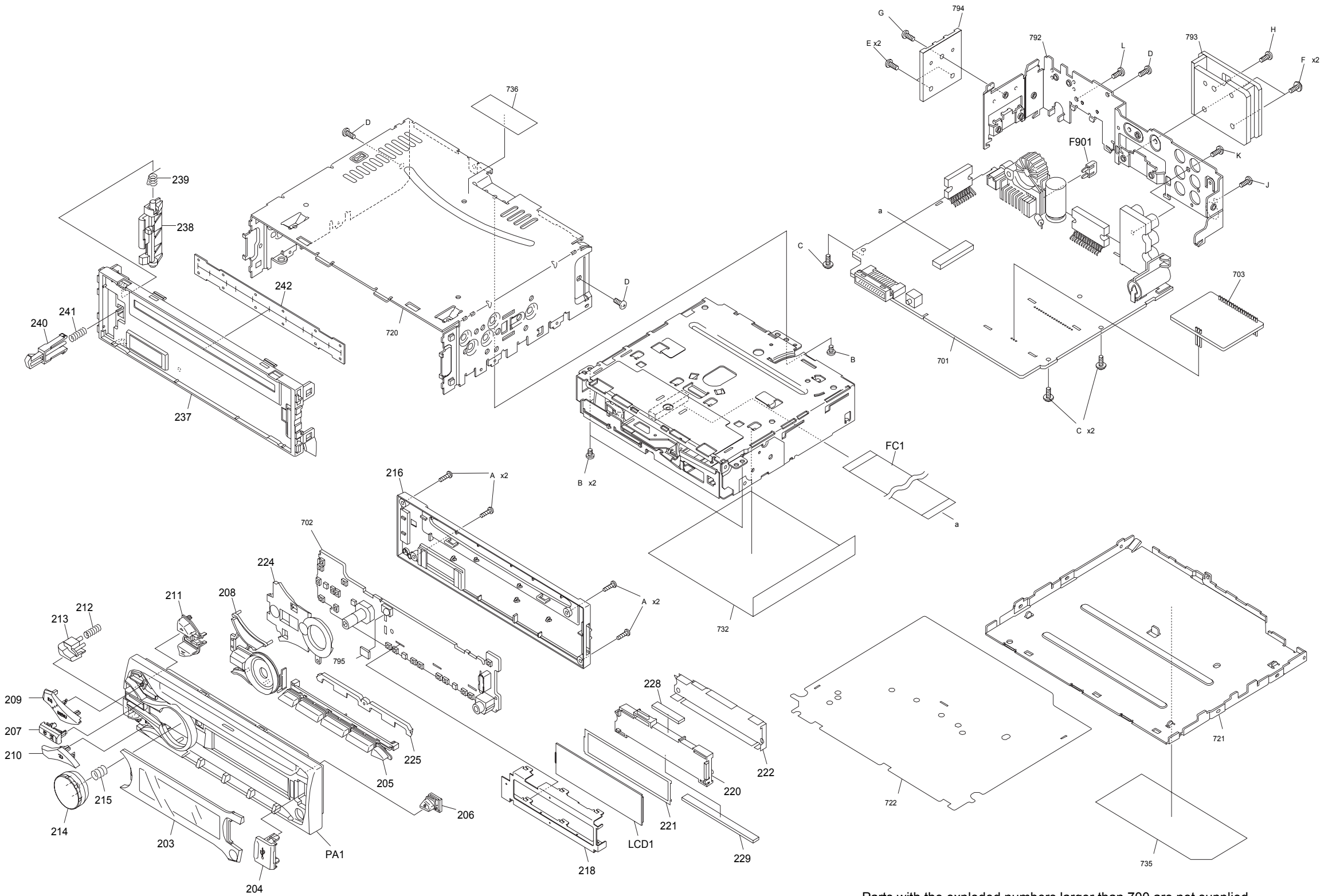
1. Do not touch the LIVE GND, or do not touch the LIVE GND and the ISOLATED (NEUTRAL) GND at the same time. It may cause an electric shock.
Before pulling out the chassis or other parts, make sure to pull out the power cord from the wall outlet first.
2. Do not short circuit between the LIVE GND and ISOLATED (NEUTRAL) GND, or never measure the LIVE GND and ISOLATED (NEUTRAL) GND at the same time using measuring instruments (oscilloscope, etc.). It may blow fuses or damage other parts.

■ DEVIATION TOLERANCE RANGE

DEVIATION TOLERANCE RANGE									
F	G	J	K	M	N	R	H	Z	P
± 1%	± 2%	± 5%	±10%	±20%	±30%	+30% -10%	+50% -10%	+80% -20%	+100% -0%

EXPLODED VIEW (UNIT)

Block No.M1MM



Parts with the exploded numbers larger than 700 are not supplied.

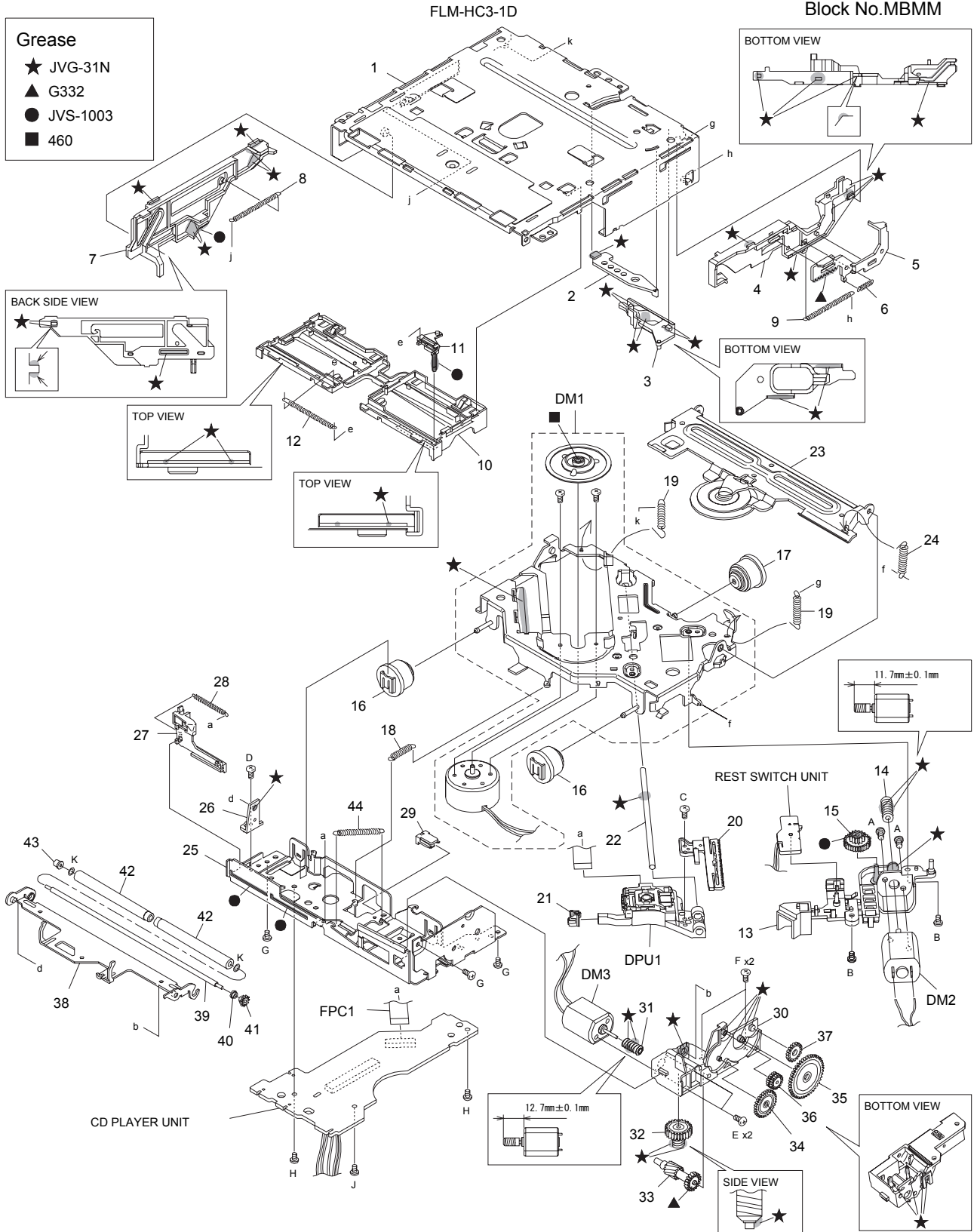
MODEL	MARK	MODEL	MARK
KD-AHD65J	A	KD-HDR61J	B

Safe	Symbol No.	Parts No.	Parts Name	Description	QTY	Local
------	------------	-----------	------------	-------------	-----	-------

EXPLODED VIEW (UNIT) <M1MM>

△	F901	QMFZ064-100-J1	FUSE	10A	1	
	FC1	WJT0295-001A-E	E-CARD WIRE		1	
	LCD1	QLD0695-001	LCD MODULE		1	
	PA1	GE10321-015A	FRONT PANEL		1	A
	PA1	GE10321-012A	FRONT PANEL		1	B
	A	QYSDSF2008ZA	TAP SCREW	M2 x 8mm	4	
	B	QYSDST2604ZA	TAP SCREW	M2.6 x 4mm	3	
	C	GE40377-002A	SCREW		3	
	D	QYSDST2606ZA	TAP SCREW	M2.6 x 6mm	3	
	E	QYSDST2610ZA	TAP SCREW	M2.6 x 10mm	2	
	F	GE40377-005A	SPECIAL SCREW		2	
	G	QYSDST2608ZA	TAP SCREW	M2.6 x 8mm	1	
	H	QYSDST2610ZA	TAP SCREW	M2.6 x 10mm	1	
	J	QYSDSG3006ZA	TAP SCREW	M3 x 6mm	1	
	K	QYSDSF2608ZA	TAP SCREW	M2.6 x 8mm	1	
	L	QYSDSG3006ZA	TAP SCREW	M3 x 6mm	1	
	203	GE20294-004A	FINDER		1	A
	203	GE20294-024A	FINDER		1	B
	204	GE34515-001A	USB DOOR COVER		1	
	205	GE20297-001A	PRESET BUTTON		1	
	206	GE34526-001A	EJECT BUTTON		1	
	207	GE34530-001A	SEARCH BUTTON		1	
	208	GE34531-002A	SRC BUTTON		1	
	209	GE34527-003A	MENU BUTTON		1	
	210	GE34528-003A	BACK BUTTON		1	
	211	GE34529-001A	UP DOWN BUTTON		1	
	212	GE30999-009A	COMP.SPRING		1	
	213	GE34537-002A	DETACH BUTTON		1	
	214	GE34538-004A	VOL KNOB		1	A
	214	GE34538-002A	VOL KNOB		1	B
	215	GE40127-006A	KNOB SPRING		1	
	216	GE10322-001A	REAR COVER		1	
	218	GE34535-001A	LCD CASE		1	
	220	GE34536-001A	LCD LENS		1	
	221	GE40566-001A	LIGHTING SHEET		1	
	222	GE40565-002A	REFLECTION SHT		1	
	224	GE34532-001A	LIGHT GUIDE		1	
	225	GE34533-001A	PRESET LENS		1	
	228	QNZ1002-001	RUBBER CONNE		1	
	229	QNZ1003-001	RUBBER CONNE		1	
	237	GE10323-001A	FRONT CHASSIS		1	
	238	GE34072-001A	LOCK LEVER		1	
	239	GE40514-002A	TORSION SPRING		1	
	240	GE34073-001A	RELEASE LEVER		1	
	241	GE30999-008A	COMP.SPRING		1	
	242	GE40500-001A	BLIND		1	

EXPLODED VIEW (CD MECHANISM)



Parts with the exploded numbers larger than 700 are not supplied.

MODEL	MARK	MODEL	MARK
KD-AHD65J	A	KD-HDR61J	B

Safe	Symbol No.	Parts No.	Parts Name	Description	QTY	Local
EXPLODED VIEW (CD MECHANISM: FLM-HC3-1D) <MBMM>						
	DM1	CM-FLMHC1D	SPINDLE MOTOR ASSY		1	
	DM2	QAR0144-003	MOTOR	2.0V DC	1	
	DM3	QAR0144-003	MOTOR	2.0V DC	1	
△	DPU1	QAL1226-001	PICK UP		1	
	FPC1	QAL0817-003	FPC		1	
	A	QYSPSPT2025MA	SCREW	M2 x 2.5mm	2	
	B	VKZ4539-054	MINI SCREW		2	
	C	QYSPSGT1745ZA	TAP SCREW	M1.7 x 4.5mm	1	
	D	VKZ4539-054	MINI SCREW		1	
	E	QYSPSPT2025MA	SCREW	M2 x 2.5mm	2	
	F	VKZ4539-054	MINI SCREW		2	
	G	VKZ4539-054	MINI SCREW		3	
	H	VKZ4539-054	MINI SCREW		2	
	J	VKZ4539-054	MINI SCREW		1	
	K	LV45449-001A	WASHER		2	
	1	LV11685-004A	TOP FRAME		1	
	2	LV38953-001A	TRIGGER PLATE		1	
	3	LV38952-001A	FL SLIDER(B)		1	
	4	LV22826-003A	LOAD CAM		1	
	5	LV38951-001A	TRIGGER RACK		1	
	6	LV45415-001A	TRIGGER SPRING		1	
	7	LV22827-001A	FL SLIDER(L)		1	
	8	LV45416-001A	LOAD CAM SPRING		1	
	9	LV45417-001A	FL SLIDERSPRING		1	
	10	LV11689-001A	DISC GUIDE		1	
	11	LV38957-001A	SW SLIDER(R)		1	
	12	LV45505-001A	SW ACT SPRING		1	
	13	LV22828-001A	FEED BRACKET		1	
	14	LV36814-201A	F WORM GEAR		1	
	15	LV36815-002A	F WHEEL GEAR		1	
	16	LV36904-001A	DAMPER		2	
	17	LV37061-001A	DAMPER		1	
	18	LV45422-001A	SUS SPRING(F)		1	
	19	LV45423-001A	SUS SPRING(B)		2	
	20	LV38960-001A	FEED RACK		1	
	21	LV36813-201A	SUB GUIDE CAP		1	
	22	LV44555-001A	MAIN SHAFT		1	
	23	LV38950-002A	HC CL.BASE ASSY		1	
	24	LV45421-001A	HC CL.SPRING		1	
	25	LV11686-002A	BOTTOM FRAME		1	
	26	LV38954-002A	R.ARM GUIDE		1	
	27	LV39496-001A	SW ACTUATOR (2)		1	
	28	LV45505-001A	SW ACT SPRING		1	
	29	LV38962-001A	WIRE GUIDE		1	
	30	LV11688-001A	LOADING BASE		1	
	31	LV38963-001A	D.WORM GEAR		1	
	32	LV38964-001A	D.WHEEL GEAR		1	
	33	LV38965-002A	ACT GEAR(1)		1	
	34	LV38966-001A	ACT GEAR(2)		1	
	35	LV38967-001A	ACT GEAR(3)		1	
	36	LV38968-001A	ROLLER ACT GEAR		1	
	37	LV38969-001A	DRIVE GEAR		1	
	38	LV11690-001A	ROLLER ARM		1	
	39	LV45654-002A	ROLLER SHAFT 2		1	
	40	LV45412-001A	RA COLLAR(R)		1	
	41	LV38970-001A	HC ROLLER GEAR		1	
	42	LV45424-001A	HC ROLLER		2	
	43	LV45648-001A	RA COLLAR(L) 2		1	
	44	LV45418-001A	R.ARM SPRING		1	
ELECTORIC UNIT <01>						
△	IC1	TDA7706	IC		1	
	IC80	MFI341S2162-X	IC		1	
	IC161	TDA7720-X	IC		1	A
	IC161	TDA7718B-X	IC		1	B
△	IC301	TDA7851A	IC		1	
△	IC501	LV8281VR-X	IC		1	
	IC530	XC6213B332NG-X	IC		1	
	IC531	XC6213B152NG-X	IC		1	
	IC532	XC6213B152NG-X	IC		1	
△	IC540	JCV8022	IC		1	
	IC580	NJM4565E-X	IC		1	
△	IC701	JES223B	IC		1	
	IC702	XC6120N282NG-X	IC		1	
	IC771	BR24T256FJ-W-X	IC		1	
	IC771	or R1EX24256ASAS-X	IC		1	
△	IC901	LV5680P	IC		1	
△	IC910	NJM2855DL1-33-X	IC		1	
△	IC912	XC6222B121PG-X	IC		1	
	IC922	TC7WBL126AFK-X	IC(DIGITAL)		1	
	IC931	XC6213B332NG-X	IC		1	
	IC981	BD9673EFJ-X	IC		1	
△	IC983	NJM2855DL1-05-X	IC		1	
	Q251	IMX9-W	PAIR TRANSISTOR		1	
	Q321	IMX9-W	PAIR TRANSISTOR		1	
	Q341	IMX9-W	PAIR TRANSISTOR		1	
	Q540	2SA2188/F-X	TRANSISTOR		1	
	Q780	DRA2124E-X	DIGI TRANSISTOR		1	
	Q780	or RT1P241C-X	TRANSISTOR		1	
	Q781	DRA2124E-X	DIGI TRANSISTOR		1	
	Q781	or RT1P241C-X	TRANSISTOR		1	
	Q782	DRC2124E-X	DIGI TRANSISTOR		1	
	Q782	or RT1N241C-X	DIGI TRANSISTOR		1	

MODEL	MARK	MODEL	MARK
KD-AHD65J	A	KD-HDR61J	B

Safe	Symbol No.	Parts No.	Parts Name	Description	QTY	Local
	Q881	DRC2114E-X	DIGI TRANSISTOR		1	
	Q881	or RT1N141C-X	DIGI TRANSISTOR		1	
	Q951	2SA812A/5-6/-X	TRANSISTOR		1	
	Q951	or ISA1530AC1/QR/X	TRANSISTOR		1	
	Q952	DRC2144E-X	DIGI TRANSISTOR		1	
	Q952	or RT1N441C-X	TRANSISTOR		1	
	Q963	DRC2144E-X	DIGI TRANSISTOR		1	
	Q963	or RT1N441C-X	TRANSISTOR		1	
	Q964	RSQ025P03-W	TRANSISTOR		1	
	Q965	DRC2144E-X	DIGI TRANSISTOR		1	
	Q965	or RT1N441C-X	TRANSISTOR		1	
	Q966	RSQ025P03-W	TRANSISTOR		1	
	Q970	2SC1623A/5-6/-X	TRANSISTOR		1	
	Q970	or 2SC3928A/QR/-X	TRANSISTOR		1	
	Q971	2SC1623A/5-6/-X	TRANSISTOR		1	
	Q971	or 2SC3928A/QR/-X	TRANSISTOR		1	
	D1	RN731V-X	SI DIODE		1	
	D3	RN731V-X	SI DIODE		1	
	D5	NAF0024-001X	ESD SUPPRESSOR	V	1	
	D100	DZ2J062/M/-X	Z DIODE		1	
	D101	DZ2J062/M/-X	Z DIODE		1	
	D110	DZ2J062/M/-X	Z DIODE		1	
	D111	DZ2J062/M/-X	Z DIODE		1	
	D120	DZ2J062/M/-X	Z DIODE		1	
	D121	DZ2J062/M/-X	Z DIODE		1	
	D130	DZ2J062/M/-X	Z DIODE		1	
	D131	DZ2J062/M/-X	Z DIODE		1	
	D251	BAW56-TP-X	SI DIODE		1	
	D251	or MC2836-X	DIODE		1	
	D321	BAW56-TP-X	SI DIODE		1	
	D321	or MC2836-X	DIODE		1	
	D341	BAW56-TP-X	SI DIODE		1	
	D341	or MC2836-X	DIODE		1	
	D502	GS1J-LTP-X	DIODE		1	
	D502	or 1SR154-400-X	SI DIODE		1	
	D540	RKS801KF-X	SI DIODE		1	
	D540	or DA2J101-X	SI DIODE		1	
	D704	RKZ6.2B2KG-X	Z DIODE		1	
	D704	or DZ2J062/M/-X	Z DIODE		1	
	D780	BAW56-TP-X	SI DIODE		1	
	D780	or MC2836-X	DIODE		1	
	D781	BAW56-TP-X	SI DIODE		1	
	D781	or MC2836-X	DIODE		1	
	D782	RKS801KF-X	SI DIODE		1	
	D782	or DA2J101-X	SI DIODE		1	
	D783	BAW56-TP-X	SI DIODE		1	
	D783	or MC2836-X	DIODE		1	
	D891	BAW56-TP-X	SI DIODE		1	
△	D891	or MC2836-X	DIODE		1	
	D901	1N5401-BPC04	SI DIODE		1	
	D931	MBRX130-TP-X	SB DIODE		1	
	D937	MBRX130-TP-X	SB DIODE		1	
	D939	GS1J-LTP-X	DIODE		1	
	D939	or 1SR154-400-X	SI DIODE		1	
	D941	MBRX130-TP-X	SB DIODE		1	
	D942	MBRX130-TP-X	SB DIODE		1	
	D970	RKZ6.8B2KG-X	Z DIODE		1	
	D970	or DZ2J068/M/-X	Z DIODE		1	
	D971	RKZ6.8B2KG-X	Z DIODE		1	
	D971	or DZ2J068/M/-X	Z DIODE		1	
	D981	DB22306-X	SB DIODE		1	
	C1	NDC31HJ-330X	C CAPACITOR	33pF 50V J	1	
	C3	NCB31EK-473X	C CAPACITOR	0.047uF 25V K	1	
	C4	NCB31HK-102X	C CAPACITOR	1000pF 50V K	1	
	C6	NDC31HJ-390X	C CAPACITOR	39pF 50V J	1	
	C7	NDC31HJ-471X	C CAPACITOR	470pF 50V J	1	
	C8	NDC31HJ-6R0X	C CAPACITOR	6pF 50V J	1	
	C9	NCB31HK-102X	C CAPACITOR	1000pF 50V K	1	
	C10	NCB31HK-103X	C CAPACITOR	0.01uF 50V K	1	
	C14	NCB31HK-472X	C CAPACITOR	4700pF 50V K	1	
	C17	NCJ11EK-106X-R	C CAPACITOR	10uF 25V	1	
	C18	NCB31HK-103X	C CAPACITOR	0.01uF 50V K	1	
	C19	NDC31HJ-221X	C CAPACITOR	220pF 50V J	1	
	C21	NCB20JK-106X	C CAPACITOR	10uF 6.3V K	1	
	C22	NCB31CK-104X	C CAPACITOR	0.1uF 16V	1	
	C23	NDC31HJ-101X	C CAPACITOR	100pF 50V J	1	
	C24	NCBA1CK-104W	C CAPACITOR	0.1uF 16V K	1	
	C25	NCBA1EK-103W	C CAPACITOR	0.01uF 25V K	1	
	C26	NDC31HJ-820X	C CAPACITOR	82pF 50V J	1	
	C27	NCB31CK-105X	C CAPACITOR	1uF 16V K	1	
	C28	NCB20JK-106X	C CAPACITOR	10uF 6.3V K	1	
	C29	NDC31HJ-471X	C CAPACITOR	470pF 50V J	1	
	C30	NCB31HK-103X	C CAPACITOR	0.01uF 50V K	1	
	C31	NCB31CK-224X	C CAPACITOR	0.22uF 16V K	1	
	C32	NCBA1CK-104W	C CAPACITOR	0.1uF 16V K	1	
	C33	NCB31HK-472X	C CAPACITOR	4700pF 50V K	1	
	C34	NCB31HK-104X	C CAPACITOR	0.1uF 50V K	1	
	C35	NDC31HJ-100X	C CAPACITOR	10pF 50V J	1	
	C36	NCBA1EK-103W	C CAPACITOR	0.01uF 25V K	1	
	C40	NCB31HK-102X	C CAPACITOR	1000pF 50V K	1	
	C41	NCB31HK-102X	C CAPACITOR	1000pF 50V K	1	
	C42	NCB31CK-105X	C CAPACITOR	1uF 16V K	1	

MODEL	MARK	MODEL	MARK
KD-AHD65J	A	KD-HDR61J	B

Safe	Symbol No.	Parts No.	Parts Name	Description	QTY	Local
	C43	QEKJ1VM-475Z-S	E CAPACITOR	4.7uF 35V M	1	
	C44	QEKJ1VM-475Z-S	E CAPACITOR	4.7uF 35V M	1	
	C45	NCBA1CK-104W	C CAPACITOR	0.1uF 16V K	1	
	C46	NDC31HJ-7R0X	C CAPACITOR	7pF 50V J	1	
	C47	NDC31HJ-7R0X	C CAPACITOR	7pF 50V J	1	
	C48	NCB31HK-104X	C CAPACITOR	0.1uF 50V K	1	
	C49	NCB31HK-104X	C CAPACITOR	0.1uF 50V K	1	
	C51	NCBA1CK-104W	C CAPACITOR	0.1uF 16V K	1	
	C53	NCBA1CK-104W	C CAPACITOR	0.1uF 16V K	1	
	C58	NDC31HJ-2R0X	C CAPACITOR	2pF 50V J	1	
	C59	NDC31HJ-5R0X	C CAPACITOR	5pF 50V J	1	
	C63	NCB31CK-105X	C CAPACITOR	1uF 16V K	1	
	C64	NCBA1CK-104W	C CAPACITOR	0.1uF 16V K	1	
	C65	NCB31CK-474X	C CAPACITOR	0.47uF 16V K	1	
	C66	NCBA1EK-103W	C CAPACITOR	0.01uF 25V K	1	
	C67	NCBA1EK-103W	C CAPACITOR	0.01uF 25V K	1	
	C69	NCB31AK-105X	C CAPACITOR	1uF 10V K	1	
	C71	NCB31HK-102X	C CAPACITOR	1000pF 50V K	1	
	C72	NDC31HJ-4R0X	C CAPACITOR	4pF 50V J	1	
	C73	NDC31HJ-120X	C CAPACITOR	12pF 50V J	1	
	C74	QTE1C57-107Z	E CAPACITOR	100uF 16V	1	
	C80	NCB31EK-473X	C CAPACITOR	0.047uF 25V K	1	
	C101	NCB31CK-105X	C CAPACITOR	1uF 16V K	1	
	C102	NCB31CK-105X	C CAPACITOR	1uF 16V K	1	
	C111	NCB31CK-105X	C CAPACITOR	1uF 16V K	1	
	C112	NCB31CK-104X	C CAPACITOR	0.1uF 16V	1	
	C121	NCB31CK-105X	C CAPACITOR	1uF 16V K	1	
	C122	NCB31CK-105X	C CAPACITOR	1uF 16V K	1	
	C131	NCB31CK-105X	C CAPACITOR	1uF 16V K	1	
	C132	NCB31CK-104X	C CAPACITOR	0.1uF 16V	1	
	C160	QEKJ1CM-106Z-S	E CAPACITOR	10uF 16V M	1	
	C162	QTE1V67-475Z	E CAPACITOR	4.7uF 35V	1	
	C166	NCB31CK-104X	C CAPACITOR	0.1uF 16V	1	
	C168	NCB31CK-104X	C CAPACITOR	0.1uF 16V	1	
	C169	NCB31AK-105X	C CAPACITOR	1uF 10V K	1	
	C170	NCB31AK-105X	C CAPACITOR	1uF 10V K	1	
	C171	NCB31AK-105X	C CAPACITOR	1uF 10V K	1	
	C172	QEKJ1CM-107Z-S	E CAPACITOR	100uF 16V M	1	
	C174	QTE1V67-475Z	E CAPACITOR	4.7uF 35V	1	
	C177	NCB31AK-105X	C CAPACITOR	1uF 10V K	1	
	C251	QEKJ1HM-106Z	E CAPACITOR	10uF 50V M	1	
	C252	QEKJ1HM-106Z	E CAPACITOR	10uF 50V M	1	
	C253	NDC31HJ-101X	C CAPACITOR	100pF 50V J	1	
	C254	NDC31HJ-101X	C CAPACITOR	100pF 50V J	1	
	C301	NCB21CK-474X-A	C CAPACITOR	0.47uF 16V K	1	
	C302	NCB21CK-474X-A	C CAPACITOR	0.47uF 16V K	1	
	C303	NCB21CK-474X-A	C CAPACITOR	0.47uF 16V K	1	
	C304	NCB21CK-474X-A	C CAPACITOR	0.47uF 16V K	1	
	C305	QTE1C66-474Z	E CAPACITOR	0.47uF 16V	1	
	C306	QTE1C66-474Z	E CAPACITOR	0.47uF 16V	1	
	C307	QTE1C66-474Z	E CAPACITOR	0.47uF 16V	1	
	C308	QTE1C66-474Z	E CAPACITOR	0.47uF 16V	1	
	C309	QEKJ1CM-476Z-S	E CAPACITOR	47uF 16V M	1	
	C310	QERF1CM-106Z-E	E CAPACITOR	10uF 16V M	1	
	C311	NDC31HJ-680X	C CAPACITOR	68pF 50V J	1	
	C312	NDC31HJ-680X	C CAPACITOR	68pF 50V J	1	
	C313	NCB21AK-105X-A	C CAPACITOR	1uF 10V K	1	
	C314	NCB31AK-105X	C CAPACITOR	1uF 10V K	1	
	C315	NCB31AK-105X	C CAPACITOR	1uF 10V K	1	
	C316	NDC31HJ-150X	C CAPACITOR	15pF 50V J	1	
	C317	NDC31HJ-150X	C CAPACITOR	15pF 50V J	1	
	C320	QEKJ1HM-106Z	E CAPACITOR	10uF 50V M	1	
	C321	NDC31HJ-101X	C CAPACITOR	100pF 50V J	1	
	C330	QEKJ1HM-106Z	E CAPACITOR	10uF 50V M	1	
	C331	NDC31HJ-101X	C CAPACITOR	100pF 50V J	1	
	C340	QEKJ1HM-106Z	E CAPACITOR	10uF 50V M	1	
	C341	NDC31HJ-101X	C CAPACITOR	100pF 50V J	1	
	C350	QEKJ1HM-106Z	E CAPACITOR	10uF 50V M	1	
	C351	NDC31HJ-101X	C CAPACITOR	100pF 50V J	1	
	C403	NDC31HJ-101X	C CAPACITOR	100pF 50V J	1	
	C408	NDC31HJ-101X	C CAPACITOR	100pF 50V J	1	
	C504	NCB31HK-104X	C CAPACITOR	0.1uF 50V K	1	
	C505	NCB31HK-473X	C CAPACITOR	0.047uF 50V K	1	
	C506	NCB31CK-224X	C CAPACITOR	0.22uF 16V K	1	
	C507	NCB31HK-104X	C CAPACITOR	0.1uF 50V K	1	
	C508	NDC31HJ-471X	C CAPACITOR	470pF 50V J	1	
	C509	NDC31HJ-471X	C CAPACITOR	470pF 50V J	1	
	C510	NDC31HJ-471X	C CAPACITOR	470pF 50V J	1	
	C511	NCB31HK-472X	C CAPACITOR	4700pF 50V K	1	
	C512	NCB31HK-472X	C CAPACITOR	4700pF 50V K	1	
	C513	NCB31CK-104X	C CAPACITOR	0.1uF 16V	1	
	C514	QERF1AM-107Z	E CAPACITOR	100uF 10V M	1	
	C517	NCB31CK-104X	C CAPACITOR	0.1uF 16V	1	
	C530	QEKJ0JM-476Z	E CAPACITOR	47uF 6.3V M	1	
	C531	NCB31HK-104X	C CAPACITOR	0.1uF 50V K	1	
	C532	QEKJ0JM-476Z	E CAPACITOR	47uF 6.3V M	1	
	C533	NCB31CK-104X	C CAPACITOR	0.1uF 16V	1	
	C534	QEKJ0JM-476Z	E CAPACITOR	47uF 6.3V M	1	
	C535	NCBA1CK-104W	C CAPACITOR	0.1uF 16V K	1	
	C536	QERF0JM-337Z	E CAPACITOR	330uF 6.3V M	1	
	C537	NDC31HJ-2R0X	C CAPACITOR	2pF 50V J	1	
	C540	NCB31CK-104X	C CAPACITOR	0.1uF 16V	1	
	C541	NCB31HK-222X	C CAPACITOR	2200pF 50V K	1	

MODEL	MARK	MODEL	MARK
KD-AHD65J	A	KD-HDR61J	B

Safe	Symbol No.	Parts No.	Parts Name	Description	QTY	Local
	C542	NCBA1CK-104W	C CAPACITOR	0.1uF 16V K	1	
	C543	NCBA1EK-103W	C CAPACITOR	0.01uF 25V K	1	
	C544	NCB31HK-332X	C CAPACITOR	3300pF 50V K	1	
	C545	NCB31CK-104X	C CAPACITOR	0.1uF 16V	1	
	C546	NCB31AK-105X	C CAPACITOR	1uF 10V K	1	
	C547	NCB31HK-153X	C CAPACITOR	0.015uF 50V K	1	
	C548	NDC31HJ-680X	C CAPACITOR	68pF 50V J	1	
	C549	NCB31CK-104X	C CAPACITOR	0.1uF 16V	1	
	C550	NCB20JK-106X	C CAPACITOR	10uF 6.3V K	1	
	C551	NCB31HK-104X	C CAPACITOR	0.1uF 50V K	1	
	C552	NCB31HK-333X	C CAPACITOR	0.033uF 50V K	1	
	C553	NCB31HK-472X	C CAPACITOR	4700pF 50V K	1	
	C554	NDC31HJ-331X	C CAPACITOR	330pF 50V J	1	
	C555	NDC31HJ-681X	C CAPACITOR	680pF 50V J	1	
	C556	NCB31CK-683X	C CAPACITOR	0.068uF 16V K	1	
	C557	NCB31HK-333X	C CAPACITOR	0.033uF 50V K	1	
	C558	NCBA1CK-104W	C CAPACITOR	0.1uF 16V K	1	
	C559	NCB31CK-104X	C CAPACITOR	0.1uF 16V	1	
	C560	NDCA1HJ-101W	C CAPACITOR	100pF 50V J	1	
	C561	NCB20JK-106X	C CAPACITOR	10uF 6.3V K	1	
	C562	NCB20JK-106X	C CAPACITOR	10uF 6.3V K	1	
	C563	NDCA1HJ-101W	C CAPACITOR	100pF 50V J	1	
	C564	NCB31HK-104X	C CAPACITOR	0.1uF 50V K	1	
	C565	NCBA1CK-104W	C CAPACITOR	0.1uF 16V K	1	
	C566	NCB31CK-104X	C CAPACITOR	0.1uF 16V	1	
	C567	NCB31AK-105X	C CAPACITOR	1uF 10V K	1	
	C568	NCB31CK-104X	C CAPACITOR	0.1uF 16V	1	
	C569	NCBA1CK-104W	C CAPACITOR	0.1uF 16V K	1	
	C570	NCB31HK-104X	C CAPACITOR	0.1uF 50V K	1	
	C571	NDCA1HJ-470W	C CAPACITOR	47pF 50V J	1	
	C572	NCB31HK-153X	C CAPACITOR	0.015uF 50V K	1	
	C573	NCB31CK-104X	C CAPACITOR	0.1uF 16V	1	
	C574	NCBA1EK-103W	C CAPACITOR	0.01uF 25V K	1	
	C576	NCB31HK-152X	C CAPACITOR	1500pF 50V K	1	
	C582	NCB31HK-821X	C CAPACITOR	820pF 50V K	1	
	C583	NCB31HK-821X	C CAPACITOR	820pF 50V K	1	
	C584	QERF1HM-475Z-E	E CAPACITOR	4.7uF 50V M	1	
	C585	NDC31HJ-680X	C CAPACITOR	68pF 50V J	1	
	C586	QERF1HM-475Z-E	E CAPACITOR	4.7uF 50V M	1	
	C587	NDC31HJ-680X	C CAPACITOR	68pF 50V J	1	
	C588	NCBA1CK-104W	C CAPACITOR	0.1uF 16V K	1	
	C590	QEKJ0JM-476Z-S	E CAPACITOR	47uF 6.3V M	1	
	C591	QEKJ0JM-476Z-S	E CAPACITOR	47uF 6.3V M	1	
	C594	NDC31HJ-680X	C CAPACITOR	68pF 50V J	1	
	C595	NDC31HJ-680X	C CAPACITOR	68pF 50V J	1	
	C700	NCB31HK-472X	C CAPACITOR	4700pF 50V K	1	
	C701	NDC31HJ-100X	C CAPACITOR	10pF 50V J	1	
	C702	NDC31HJ-100X	C CAPACITOR	10pF 50V J	1	
	C703	NCB31HK-103X	C CAPACITOR	0.01uF 50V K	1	
	C704	QEKJ1CM-107Z	E CAPACITOR	100uF 16V M	1	
	C705	NCBA1CK-104W	C CAPACITOR	0.1uF 16V K	1	
	C706	NCBA1AK-104W	C CAPACITOR	0.1uF 10V K	1	
	C708	NCB31CK-104X	C CAPACITOR	0.1uF 16V	1	
	C712	NCBA1CK-104W	C CAPACITOR	0.1uF 16V K	1	
	C713	NCBA1CK-104W	C CAPACITOR	0.1uF 16V K	1	
	C714	NCBA1CK-104W	C CAPACITOR	0.1uF 16V K	1	
	C715	NCB31CK-104X	C CAPACITOR	0.1uF 16V	1	
	C716	NCBA1CK-104W	C CAPACITOR	0.1uF 16V K	1	
	C717	NCBA1CK-104W	C CAPACITOR	0.1uF 16V K	1	
	C718	NCB31AK-474X	C CAPACITOR	0.47uF 10V K	1	
	C721	NCB31HK-472X	C CAPACITOR	4700pF 50V K	1	
	C722	NCJ11EK-106X-R	C CAPACITOR	10uF 25V	1	
	C724	NDC31HJ-180X	C CAPACITOR	18pF 50V J	1	
	C725	NDC31HJ-180X	C CAPACITOR	18pF 50V J	1	
	C728	NDC31HJ-471X	C CAPACITOR	470pF 50V J	1	
	C881	QEKJ1CM-226Z	E CAPACITOR	22uF 16V M	1	
	C891	NCB31HK-104X	C CAPACITOR	0.1uF 50V K	1	
	C901	QEZ0937-278	E CAPACITOR	2700uF	1	
	C903	QEKJ1CM-226Z	E CAPACITOR	22uF 16V M	1	
	C904	QERF1AM-227Z	E CAPACITOR	220uF 10V M	1	
	C905	NCBA1CK-104W	C CAPACITOR	0.1uF 16V K	1	
	C906	QEKJ1CM-107Z	E CAPACITOR	100uF 16V M	1	
	C907	QEKJ1CM-107Z	E CAPACITOR	100uF 16V M	1	
	C910	QEKJ1EM-106Z	E CAPACITOR	10uF 25V M	1	
	C912	NCBA1CK-104W	C CAPACITOR	0.1uF 16V K	1	
	C913	NCBA1CK-104W	C CAPACITOR	0.1uF 16V K	1	
	C914	NCJ11EK-106X-R	C CAPACITOR	10uF 25V	1	
	C917	NCB31HK-472X	C CAPACITOR	4700pF 50V K	1	
	C918	QEKJ1HM-225Z	E CAPACITOR	2.2uF 50V M	1	
	C919	QERF1AM-107Z	E CAPACITOR	100uF 10V M	1	
	C920	NCB31HK-332X	C CAPACITOR	3300pF 50V K	1	
	C921	NCB31CK-105X	C CAPACITOR	1uF 16V K	1	
	C922	NCB21AK-106X	C CAPACITOR	10uF 10V K	1	
	C923	QEKJ1CM-107Z	E CAPACITOR	100uF 16V M	1	
	C924	NCB31CK-105X	C CAPACITOR	1uF 16V K	1	
	C925	NCJ11EK-106X-R	C CAPACITOR	10uF 25V	1	
	C931	NCB31CK-104X	C CAPACITOR	0.1uF 16V	1	
	C932	QERF0JM-337Z	E CAPACITOR	330uF 6.3V M	1	
	C933	NCB31CK-104X	C CAPACITOR	0.1uF 16V	1	
	C934	QERF0JM-337Z	E CAPACITOR	330uF 6.3V M	1	
	C941	NCB31HK-104X	C CAPACITOR	0.1uF 50V K	1	
	C954	NCB31CK-104X	C CAPACITOR	0.1uF 16V	1	

MODEL	MARK	MODEL	MARK
KD-AHD65J	A	KD-HDR61J	B

Safe	Symbol No.	Parts No.	Parts Name	Description	QTY	Local
	C958	NCB31CK-105X	C CAPACITOR	1uF 16V K	1	
	C962	QERF1AM-227Z	E CAPACITOR	220uF 10V M	1	
	C963	QEKJ1CM-107Z	E CAPACITOR	100uF 16V M	1	
	C964	NCB31HK-104X	C CAPACITOR	0.1uF 50V K	1	
	C965	NCB31HK-103X	C CAPACITOR	0.01uF 50V K	1	
	C966	NDC31HJ-120X	C CAPACITOR	12pF 50V J	1	
	C970	NCB31HK-561X	C CAPACITOR	560pF 50V K	1	
	C981	NCJ11EK-106X-R	C CAPACITOR	10uF 25V	1	
	C983	NCB31HK-682X	C CAPACITOR	6800pF 50V K	1	
	C984	NCB31CK-104X	C CAPACITOR	0.1uF 16V	1	
	C985	NCJ11EK-106X-R	C CAPACITOR	10uF 25V	1	
	C986	NCJ11EK-106X-R	C CAPACITOR	10uF 25V	1	
	C987	NCJ11EK-106X-R	C CAPACITOR	10uF 25V	1	
	C988	NCB31HK-472X	C CAPACITOR	4700pF 50V K	1	
	C989	NCB31HK-104X	C CAPACITOR	0.1uF 50V K	1	
	C990	NCB31HK-104X	C CAPACITOR	0.1uF 50V K	1	
	C991	NDC31HJ-471X	C CAPACITOR	470pF 50V J	1	
	C992	NDC31HJ-471X	C CAPACITOR	470pF 50V J	1	
	C993	NDC31HJ-471X	C CAPACITOR	470pF 50V J	1	
	C994	NDC31HJ-471X	C CAPACITOR	470pF 50V J	1	
	C995	NDC31HJ-471X	C CAPACITOR	470pF 50V J	1	
	C996	NDC31HJ-471X	C CAPACITOR	470pF 50V J	1	
	C997	NDC31HJ-471X	C CAPACITOR	470pF 50V J	1	
	C998	NDC31HJ-471X	C CAPACITOR	470pF 50V J	1	
	R1	NRSA6AJ-221W	MG RESISTOR	220Ω 1/16W J	1	
	R3	NRSA6AJ-152W	MG RESISTOR	1.5kΩ 1/16W J	1	
	R4	NRSA63J-0R0X	MG RESISTOR	0Ω 1/10W J	1	
	R7	NRSA63J-0R0X	MG RESISTOR	0Ω 1/10W J	1	
	R9	NRSA63J-470X	MG RESISTOR	47Ω 1/16W J	1	
	R10	NRSA63J-470X	MG RESISTOR	47Ω 1/16W J	1	
	R11	NRSA63J-470X	MG RESISTOR	47Ω 1/16W J	1	
	R12	NRSA63J-470X	MG RESISTOR	47Ω 1/16W J	1	
	R13	NRSA63J-470X	MG RESISTOR	47Ω 1/16W J	1	
	R14	NRSA63J-511X	MG RESISTOR	510Ω 1/16W J	1	
	R16	NRSA63J-511X	MG RESISTOR	510Ω 1/16W J	1	
	R17	NRSA63J-511X	MG RESISTOR	510Ω 1/16W J	1	
	R18	NRSA63J-330X	MG RESISTOR	33Ω 1/16W J	1	
	R19	NRSA6AJ-471W	MG RESISTOR	470Ω 1/16W J	1	
	R20	NRSA6AJ-0R0W	MG RESISTOR	0Ω 1/16W J	1	
	R22	NRSA6AJ-681W	MG RESISTOR	680Ω 1/16W J	1	
	R24	NRS181J-0R0X	MG RESISTOR	0Ω 1/8W J	1	
	R25	NRSA63J-0R0X	MG RESISTOR	0Ω 1/10W J	1	
	R26	NRSA6AJ-101W	MG RESISTOR	100Ω 1/16W J	1	
	R27	NRSA6AJ-101W	MG RESISTOR	100Ω 1/16W J	1	
	R30	NRS181J-220X	MG RESISTOR	22Ω 1/8W J	1	
	R31	NRS181J-220X	MG RESISTOR	22Ω 1/8W J	1	
	R32	NRSA63J-471X	MG RESISTOR	470Ω 1/16W J	1	
	R33	NRSA63J-106X	MG RESISTOR	10MΩ 1/16W J	1	
	R34	NRSA63J-0R0X	MG RESISTOR	0Ω 1/10W J	1	
	R35	NRSA63J-0R0X	MG RESISTOR	0Ω 1/10W J	1	
	R36	NRS181J-0R0X	MG RESISTOR	0Ω 1/8W J	1	
	R37	NRSA63J-0R0X	MG RESISTOR	0Ω 1/10W J	1	
	R39	NRS181J-0R0X	MG RESISTOR	0Ω 1/8W J	1	
	R40	NRSA63J-0R0X	MG RESISTOR	0Ω 1/10W J	1	
	R41	NRSA63J-102X	MG RESISTOR	1kΩ 1/16W J	1	
	R43	NRSA63J-0R0X	MG RESISTOR	0Ω 1/10W J	1	
	R44	NRSA63J-0R0X	MG RESISTOR	0Ω 1/10W J	1	
	R45	NRSA63J-0R0X	MG RESISTOR	0Ω 1/10W J	1	
	R46	NRS181J-0R0X	MG RESISTOR	0Ω 1/8W J	1	
	R47	NRSA63J-0R0X	MG RESISTOR	0Ω 1/10W J	1	
	R48	NRSA63J-0R0X	MG RESISTOR	0Ω 1/10W J	1	
	R49	NRSA63J-0R0X	MG RESISTOR	0Ω 1/10W J	1	
	R50	NRSA63J-0R0X	MG RESISTOR	0Ω 1/10W J	1	
	R51	NRSA63J-0R0X	MG RESISTOR	0Ω 1/10W J	1	
	R52	NRS181J-0R0X	MG RESISTOR	0Ω 1/8W J	1	
	R53	NRSA63J-0R0X	MG RESISTOR	0Ω 1/10W J	1	
	R54	NRSA63J-0R0X	MG RESISTOR	0Ω 1/10W J	1	
	R55	NRSA63J-0R0X	MG RESISTOR	0Ω 1/10W J	1	
	R57	NRSA63J-0R0X	MG RESISTOR	0Ω 1/10W J	1	
	R59	NRSA63J-0R0X	MG RESISTOR	0Ω 1/10W J	1	
	R63	NRSA6AJ-105W	MG RESISTOR	1MΩ 1/16W J	1	
	R68	NRSA63J-474X	MG RESISTOR	470kΩ 1/16W J	1	
	R69	NRSA63J-474X	MG RESISTOR	470kΩ 1/16W J	1	
	R80	NRSA6AJ-101W	MG RESISTOR	100Ω 1/16W J	1	
	R81	NRSA6AJ-101W	MG RESISTOR	100Ω 1/16W J	1	
	R100	NRSA6AJ-0R0W	MG RESISTOR	0Ω 1/16W J	1	
	R101	NRSA6AJ-473W	MG RESISTOR	47kΩ 1/16W J	1	
	R102	NRSA6AJ-0R0W	MG RESISTOR	0Ω 1/16W J	1	
	R110	NRSA6AJ-0R0W	MG RESISTOR	0Ω 1/16W J	1	
	R111	NRSA6AJ-473W	MG RESISTOR	47kΩ 1/16W J	1	
	R112	NRSA63J-471X	MG RESISTOR	470Ω 1/16W J	1	
	R120	NRSA63J-0R0X	MG RESISTOR	0Ω 1/10W J	1	
	R121	NRSA63J-473X	MG RESISTOR	47kΩ 1/16W J	1	
	R122	NRSA63J-0R0X	MG RESISTOR	0Ω 1/10W J	1	
	R130	NRSA63J-0R0X	MG RESISTOR	0Ω 1/10W J	1	
	R131	NRSA63J-473X	MG RESISTOR	47kΩ 1/16W J	1	
	R132	NRSA63J-471X	MG RESISTOR	470Ω 1/16W J	1	
	R161	NRSA63J-103X	MG RESISTOR	10kΩ 1/16W J	1	
	R162	NRSA63J-0R0X	MG RESISTOR	0Ω 1/10W J	1	
	R163	NRSA63J-101X	MG RESISTOR	100Ω 1/16W J	1	
	R165	NRSA63J-101X	MG RESISTOR	100Ω 1/16W J	1	
	R167	NRSA63J-222X	MG RESISTOR	2.2kΩ 1/16W J	1	

MODEL	MARK	MODEL	MARK
KD-AHD65J	A	KD-HDR61J	B

Safe	Symbol No.	Parts No.	Parts Name	Description	QTY	Local
	R170	NRSA6AJ-0R0W	MG RESISTOR	0Ω 1/16W J	1	
	R171	NRSA63J-0R0X	MG RESISTOR	0Ω 1/10W J	1	
	R172	NRSA63J-0R0X	MG RESISTOR	0Ω 1/10W J	1	B
	R173	NRS181J-0R0X	MG RESISTOR	0Ω 1/8W J	1	A
	R174	NRSA6AJ-0R0W	MG RESISTOR	0Ω 1/16W J	1	B
	R175	NRSA6AJ-0R0W	MG RESISTOR	0Ω 1/16W J	1	A
	R176	NRSA6AJ-0R0W	MG RESISTOR	0Ω 1/16W J	1	B
	R251	NRSA6AJ-472W	MG RESISTOR	4.7kΩ 1/16W J	1	
	R252	NRSA6AJ-472W	MG RESISTOR	4.7kΩ 1/16W J	1	
	R253	NRSA63J-331X	MG RESISTOR	330Ω 1/16W J	1	
	R254	NRSA63J-331X	MG RESISTOR	330Ω 1/16W J	1	
	R255	NRSA63J-223X	MG RESISTOR	22kΩ 1/16W J	1	
	R256	NRSA63J-223X	MG RESISTOR	22kΩ 1/16W J	1	
	R257	NRSA63J-181X	MG RESISTOR	180Ω 1/16W J	1	
	R258	NRSA63J-181X	MG RESISTOR	180Ω 1/16W J	1	
	R259	NRSA6AJ-0R0W	MG RESISTOR	0Ω 1/16W J	1	
	R260	NRSA6AJ-0R0W	MG RESISTOR	0Ω 1/16W J	1	
	R301	NRSA6AJ-473W	MG RESISTOR	47kΩ 1/16W J	1	
	R302	NRSA6AJ-473W	MG RESISTOR	47kΩ 1/16W J	1	
	R303	NRSA6AJ-0R0W	MG RESISTOR	0Ω 1/16W J	1	
	R306	NRSA6AJ-0R0W	MG RESISTOR	0Ω 1/16W J	1	
	R308	NRSA6AJ-512W	MG RESISTOR	5.1kΩ 1/16W J	1	A
	R308	NRSA6AJ-0R0W	MG RESISTOR	0Ω 1/16W J	1	B
	R309	NRSA6AJ-682W	MG RESISTOR	6.8kΩ 1/16W J	1	A
	R310	NRS181J-751X	MG RESISTOR	750Ω 1/8W J	1	A
	R310	NRS181J-100X	MG RESISTOR	10Ω 1/8W J	1	B
	R311	NRSA63J-102X	MG RESISTOR	1kΩ 1/16W J	1	
	R312	NRSA63J-102X	MG RESISTOR	1kΩ 1/16W J	1	
	R313	NRSA63J-102X	MG RESISTOR	1kΩ 1/16W J	1	
	R314	NRSA63J-102X	MG RESISTOR	1kΩ 1/16W J	1	
	R320	NRSA63J-331X	MG RESISTOR	330Ω 1/16W J	1	
	R321	NRSA63J-223X	MG RESISTOR	22kΩ 1/16W J	1	
	R322	NRSA63J-181X	MG RESISTOR	180Ω 1/16W J	1	
	R323	NRSA6AJ-0R0W	MG RESISTOR	0Ω 1/16W J	1	
	R324	NRSA6AJ-512W	MG RESISTOR	5.1kΩ 1/16W J	1	A
	R324	NRSA6AJ-0R0W	MG RESISTOR	0Ω 1/16W J	1	B
	R325	NRSA6AJ-682W	MG RESISTOR	6.8kΩ 1/16W J	1	A
	R326	NRSA6AJ-512W	MG RESISTOR	5.1kΩ 1/16W J	1	A
	R326	NRSA6AJ-0R0W	MG RESISTOR	0Ω 1/16W J	1	B
	R327	NRSA6AJ-682W	MG RESISTOR	6.8kΩ 1/16W J	1	A
	R328	NRSA63J-512X	MG RESISTOR	5.1kΩ 1/16W J	1	A
	R328	NRSA63J-0R0X	MG RESISTOR	0Ω 1/10W J	1	B
	R329	NRSA6AJ-682W	MG RESISTOR	6.8kΩ 1/16W J	1	A
	R330	NRSA63J-331X	MG RESISTOR	330Ω 1/16W J	1	
	R331	NRSA63J-223X	MG RESISTOR	22kΩ 1/16W J	1	
	R332	NRSA63J-181X	MG RESISTOR	180Ω 1/16W J	1	
	R333	NRSA6AJ-0R0W	MG RESISTOR	0Ω 1/16W J	1	
	R340	NRSA63J-331X	MG RESISTOR	330Ω 1/16W J	1	
	R341	NRSA63J-223X	MG RESISTOR	22kΩ 1/16W J	1	
	R342	NRSA63J-181X	MG RESISTOR	180Ω 1/16W J	1	
	R343	NRSA63J-0R0X	MG RESISTOR	0Ω 1/10W J	1	
	R347	NRSA6AJ-472W	MG RESISTOR	4.7kΩ 1/16W J	1	
	R349	NRSA6AJ-472W	MG RESISTOR	4.7kΩ 1/16W J	1	
	R350	NRSA63J-331X	MG RESISTOR	330Ω 1/16W J	1	
	R351	NRSA63J-223X	MG RESISTOR	22kΩ 1/16W J	1	
	R352	NRSA63J-181X	MG RESISTOR	180Ω 1/16W J	1	
	R353	NRSA63J-0R0X	MG RESISTOR	0Ω 1/10W J	1	
	R357	NRSA6AJ-472W	MG RESISTOR	4.7kΩ 1/16W J	1	
	R358	NRSA63J-472X	MG RESISTOR	4.7kΩ 1/16W J	1	
	R400	NRSA63J-0R0X	MG RESISTOR	0Ω 1/10W J	1	
	R401	NRSA63J-0R0X	MG RESISTOR	0Ω 1/10W J	1	
	R402	NRSA63J-0R0X	MG RESISTOR	0Ω 1/10W J	1	
	R409	NRSA63J-102X	MG RESISTOR	1kΩ 1/16W J	1	
	R410	NRSA63J-102X	MG RESISTOR	1kΩ 1/16W J	1	
	R411	NRSA63J-0R0X	MG RESISTOR	0Ω 1/10W J	1	
	R418	NRS181J-100X	MG RESISTOR	10Ω 1/8W J	1	
	R501	NRSA63J-114X	MG RESISTOR	110kΩ 1/16W J	1	
	R502	NRSA6AJ-101W	MG RESISTOR	100Ω 1/16W J	1	
	R503	NRSA6AJ-101W	MG RESISTOR	100Ω 1/16W J	1	
	R504	NRSA63J-274X	MG RESISTOR	270kΩ 1/16W J	1	
	R505	NRSA63J-104X	MG RESISTOR	100kΩ 1/16W J	1	
	R506	NRSA63J-303X	MG RESISTOR	30kΩ 1/16W J	1	
	R507	NRSA63J-563X	MG RESISTOR	56kΩ 1/16W J	1	
	R508	NRSA63J-0R0X	MG RESISTOR	0Ω 1/10W J	1	
	R509	NRSA63J-0R0X	MG RESISTOR	0Ω 1/10W J	1	
	R511	NRSA63J-133X	MG RESISTOR	13kΩ 1/16W J	1	
	R512	NRSA63J-0R0X	MG RESISTOR	0Ω 1/10W J	1	
	R513	NRS181J-0R0X	MG RESISTOR	0Ω 1/8W J	1	
	R516	NRSA63J-333X	MG RESISTOR	33kΩ 1/16W J	1	
	R517	NRSA63J-473X	MG RESISTOR	47kΩ 1/16W J	1	
	R519	NRSA6AJ-333W	MG RESISTOR	33kΩ 1/16W J	1	
	R520	NRSA63J-473X	MG RESISTOR	47kΩ 1/16W J	1	
	R530	NRSA6AJ-0R0W	MG RESISTOR	0Ω 1/16W J	1	
	R537	NRSA63J-300X	MG RESISTOR	30Ω 1/16W J	1	
	R540	NRSA63J-221X	MG RESISTOR	220Ω 1/16W J	1	
	R541	NRSA6AJ-0R0W	MG RESISTOR	0Ω 1/16W J	1	
	R542	NRSA63J-0R0X	MG RESISTOR	0Ω 1/10W J	1	
	R543	NRSA6AJ-0R0W	MG RESISTOR	0Ω 1/16W J	1	
	R545	NRSA63J-225X	MG RESISTOR	2.2MΩ 1/16W J	1	
	R547	NRSA63J-4R7X	MG RESISTOR	4.7Ω 1/16W J	1	
	R548	NRSA63J-104X	MG RESISTOR	100kΩ 1/16W J	1	
	R549	NRSA63J-102X	MG RESISTOR	1kΩ 1/16W J	1	
	R550	NRSA6AJ-472W	MG RESISTOR	4.7kΩ 1/16W J	1	

MODEL	MARK	MODEL	MARK
KD-AHD65J	A	KD-HDR61J	B

Safe	Symbol No.	Parts No.	Parts Name	Description	QTY	Local
	R551	NRSA63J-0R0X	MG RESISTOR	0Ω 1/10W J	1	
	R552	NRSA63J-0R0X	MG RESISTOR	0Ω 1/10W J	1	
	R553	NRSA63J-473X	MG RESISTOR	47kΩ 1/16W J	1	
	R554	NRSA63J-4R7X	MG RESISTOR	4.7Ω 1/16W J	1	
	R555	NRSA63J-4R7X	MG RESISTOR	4.7Ω 1/16W J	1	
	R556	NRSA63J-0R0X	MG RESISTOR	0Ω 1/10W J	1	
	R557	NRSA63J-471X	MG RESISTOR	470Ω 1/16W J	1	
	R558	NRSA63J-105X	MG RESISTOR	1MΩ 1/16W J	1	
	R559	NRSA63J-101X	MG RESISTOR	100Ω 1/16W J	1	
	R560	NRSA63J-101X	MG RESISTOR	100Ω 1/16W J	1	
	R561	NRSA63J-101X	MG RESISTOR	100Ω 1/16W J	1	
	R562	NRSA63J-101X	MG RESISTOR	100Ω 1/16W J	1	
	R563	NRSA63J-101X	MG RESISTOR	100Ω 1/16W J	1	
	R564	NRSA63J-101X	MG RESISTOR	100Ω 1/16W J	1	
	R565	NRSA63J-103X	MG RESISTOR	10kΩ 1/16W J	1	
	R566	NRSA63J-103X	MG RESISTOR	10kΩ 1/16W J	1	
	R567	NRSA6AJ-101W	MG RESISTOR	100Ω 1/16W J	1	
	R568	NRSA6AJ-101W	MG RESISTOR	100Ω 1/16W J	1	
	R569	NRSA6AJ-101W	MG RESISTOR	100Ω 1/16W J	1	
	R570	NRSA6AJ-101W	MG RESISTOR	100Ω 1/16W J	1	
	R571	NRSA6AJ-103W	MG RESISTOR	10kΩ 1/16W J	1	
	R572	NRSA6AJ-104W	MG RESISTOR	100kΩ 1/16W J	1	
	R573	NRSA63J-334X	MG RESISTOR	330kΩ 1/16W J	1	
	R574	NRSA63J-153X	MG RESISTOR	15kΩ 1/16W J	1	
	R575	NRS181J-332X	MG RESISTOR	3.3kΩ 1/8W J	1	
	R576	NRSA63J-103X	MG RESISTOR	10kΩ 1/16W J	1	
	R577	NRSA63J-103X	MG RESISTOR	10kΩ 1/16W J	1	
	R579	NRSA63J-103X	MG RESISTOR	10kΩ 1/16W J	1	
	R580	NRSA6AJ-0R0W	MG RESISTOR	0Ω 1/16W J	1	
	R581	NRSA6AJ-473W	MG RESISTOR	47kΩ 1/16W J	1	
	R582	NRSA63J-224X	MG RESISTOR	220kΩ 1/16W J	1	
	R583	NRSA63J-103X	MG RESISTOR	10kΩ 1/16W J	1	
	R584	NRSA63J-103X	MG RESISTOR	10kΩ 1/16W J	1	
	R585	NRSA63J-0R0X	MG RESISTOR	0Ω 1/10W J	1	
	R586	NRSA6AJ-0R0W	MG RESISTOR	0Ω 1/16W J	1	
	R587	NRSA63J-473X	MG RESISTOR	47kΩ 1/16W J	1	
	R588	NRSA63J-224X	MG RESISTOR	220kΩ 1/16W J	1	
	R589	NRSA63J-103X	MG RESISTOR	10kΩ 1/16W J	1	
	R590	NRSA63J-103X	MG RESISTOR	10kΩ 1/16W J	1	
	R591	NRSA63J-0R0X	MG RESISTOR	0Ω 1/10W J	1	
	R592	NRSA63J-203X	MG RESISTOR	20kΩ 1/16W J	1	
	R593	NRSA63J-203X	MG RESISTOR	20kΩ 1/16W J	1	
	R594	NRS181J-100X	MG RESISTOR	10Ω 1/8W J	1	
	R597	NRSA6AJ-103W	MG RESISTOR	10kΩ 1/16W J	1	
	R598	NRSA6AJ-473W	MG RESISTOR	47kΩ 1/16W J	1	
	R599	NRSA6AJ-473W	MG RESISTOR	47kΩ 1/16W J	1	
	R600	NRS181J-0R0X	MG RESISTOR	0Ω 1/8W J	1	
	R698	NRSA63J-103X	MG RESISTOR	10kΩ 1/16W J	1	
	R699	NRSA6AJ-103W	MG RESISTOR	10kΩ 1/16W J	1	
	R700	NRSA63J-0R0X	MG RESISTOR	0Ω 1/10W J	1	
	R701	NRSA63J-364X	MG RESISTOR	360kΩ 1/16W J	1	A
	R701	NRSA63J-472X	MG RESISTOR	4.7kΩ 1/16W J	1	B
	R702	NRSA63J-222X	MG RESISTOR	2.2kΩ 1/16W J	1	
	R703	NRSA63J-911X	MG RESISTOR	910Ω 1/16W J	1	
	R706	NRSA63J-911X	MG RESISTOR	910Ω 1/16W J	1	
	R707	NRSA6AJ-101W	MG RESISTOR	100Ω 1/16W J	1	
	R708	NRSA63J-101X	MG RESISTOR	100Ω 1/16W J	1	
	R709	NRSA6AJ-101W	MG RESISTOR	100Ω 1/16W J	1	
	R710	NRSA6AJ-101W	MG RESISTOR	100Ω 1/16W J	1	
	R711	NRSA63J-101X	MG RESISTOR	100Ω 1/16W J	1	
	R712	NRSA6AJ-911W	MG RESISTOR	910Ω 1/16W J	1	
	R713	NRSA63J-101X	MG RESISTOR	100Ω 1/16W J	1	
	R714	NRSA6AJ-101W	MG RESISTOR	100Ω 1/16W J	1	
	R715	NRSA63J-101X	MG RESISTOR	100Ω 1/16W J	1	
	R716	NRSA6AJ-101W	MG RESISTOR	100Ω 1/16W J	1	
	R717	NRSA6AJ-101W	MG RESISTOR	100Ω 1/16W J	1	
	R718	NRSA63J-473X	MG RESISTOR	47kΩ 1/16W J	1	
	R719	NRSA63J-473X	MG RESISTOR	47kΩ 1/16W J	1	
	R720	NRSA63J-473X	MG RESISTOR	47kΩ 1/16W J	1	
	R721	NRSA6AJ-105W	MG RESISTOR	1MΩ 1/16W J	1	
	R722	NRSA63J-473X	MG RESISTOR	47kΩ 1/16W J	1	
	R723	NRSA6AJ-473W	MG RESISTOR	47kΩ 1/16W J	1	
	R724	NRSA63J-472X	MG RESISTOR	4.7kΩ 1/16W J	1	
	R725	NRSA63J-473X	MG RESISTOR	47kΩ 1/16W J	1	
	R726	NRSA6AJ-473W	MG RESISTOR	47kΩ 1/16W J	1	
	R727	NRSA63J-473X	MG RESISTOR	47kΩ 1/16W J	1	
	R728	NRSA63J-473X	MG RESISTOR	47kΩ 1/16W J	1	
	R730	NRSA6AJ-473W	MG RESISTOR	47kΩ 1/16W J	1	
	R731	NRSA6AJ-473W	MG RESISTOR	47kΩ 1/16W J	1	
	R732	NRSA63J-472X	MG RESISTOR	4.7kΩ 1/16W J	1	
	R733	NRSA63J-473X	MG RESISTOR	47kΩ 1/16W J	1	
	R735	NRSA63J-473X	MG RESISTOR	47kΩ 1/16W J	1	
	R736	NRSA6AJ-473W	MG RESISTOR	47kΩ 1/16W J	1	
	R737	NRSA63J-101X	MG RESISTOR	100Ω 1/16W J	1	
	R738	NRSA6AJ-222W	MG RESISTOR	2.2kΩ 1/16W J	1	
	R739	NRSA6AJ-103W	MG RESISTOR	10kΩ 1/16W J	1	
	R740	NRSA6AJ-103W	MG RESISTOR	10kΩ 1/16W J	1	
	R741	NRSA63J-103X	MG RESISTOR	10kΩ 1/16W J	1	
	R742	NRSA6AJ-473W	MG RESISTOR	47kΩ 1/16W J	1	
	R743	NRSA63J-473X	MG RESISTOR	47kΩ 1/16W J	1	
	R745	NRSA6AJ-101W	MG RESISTOR	100Ω 1/16W J	1	
	R746	NRSA63J-473X	MG RESISTOR	47kΩ 1/16W J	1	

MODEL	MARK	MODEL	MARK
KD-AHD65J	A	KD-HDR61J	B

Safe	Symbol No.	Parts No.	Parts Name	Description	QTY	Local
	R747	NRSA6AJ-243W	MG RESISTOR	24kΩ 1/16W J	1	
	R748	NRSA63J-473X	MG RESISTOR	47kΩ 1/16W J	1	
	R749	NRSA6AJ-332W	MG RESISTOR	3.3kΩ 1/16W J	1	
	R750	NRSA63J-332X	MG RESISTOR	3.3kΩ 1/16W J	1	
	R751	NRSA6AJ-223W	MG RESISTOR	22kΩ 1/16W J	1	
	R752	NRSA63J-223X	MG RESISTOR	22kΩ 1/16W J	1	
	R753	NRSA63J-332X	MG RESISTOR	3.3kΩ 1/16W J	1	
	R754	NRSA63J-332X	MG RESISTOR	3.3kΩ 1/16W J	1	
	R755	NRSA63J-473X	MG RESISTOR	47kΩ 1/16W J	1	
	R756	NRSA63J-473X	MG RESISTOR	47kΩ 1/16W J	1	
	R757	NRSA6AJ-104W	MG RESISTOR	100kΩ 1/16W J	1	
	R758	NRSA6AJ-104W	MG RESISTOR	100kΩ 1/16W J	1	
	R759	NRSA6AJ-473W	MG RESISTOR	47kΩ 1/16W J	1	
	R760	NRSA6AJ-821W	MG RESISTOR	820Ω 1/16W J	1	
	R761	NRSA63J-472X	MG RESISTOR	4.7kΩ 1/16W J	1	
	R762	NRSA6AJ-472W	MG RESISTOR	4.7kΩ 1/16W J	1	
	R763	NRSA6AJ-472W	MG RESISTOR	4.7kΩ 1/16W J	1	
	R765	NRSA63J-822X	MG RESISTOR	8.2kΩ 1/16W J	1	A
	R765	NRSA63J-153X	MG RESISTOR	15kΩ 1/16W J	1	B
	R766	NRSA63J-473X	MG RESISTOR	47kΩ 1/16W J	1	
	R767	NRSA63J-393X	MG RESISTOR	39kΩ 1/16W J	1	A
	R767	NRSA63J-333X	MG RESISTOR	33kΩ 1/16W J	1	B
	R768	NRSA6AJ-472W	MG RESISTOR	4.7kΩ 1/16W J	1	
	R770	NRSA63J-0R0X	MG RESISTOR	0Ω 1/10W J	1	
	R771	NRSA63D-472X	MG RESISTOR	4.7kΩ 1/16W D	1	
	R772	NRSA6AJ-472W	MG RESISTOR	4.7kΩ 1/16W J	1	
	R773	NRSA63D-472X	MG RESISTOR	4.7kΩ 1/16W D	1	
	R774	NRSA63J-472X	MG RESISTOR	4.7kΩ 1/16W J	1	
	R775	NRSA63J-153X	MG RESISTOR	15kΩ 1/16W J	1	
	R776	NRSA63J-153X	MG RESISTOR	15kΩ 1/16W J	1	
	R777	NRSA63J-102X	MG RESISTOR	1kΩ 1/16W J	1	
	R778	NRSA6AJ-271W	MG RESISTOR	270Ω 1/16W J	1	
	R779	NRSA63J-271X	MG RESISTOR	270Ω 1/16W J	1	
	R780	NRSA6AJ-473W	MG RESISTOR	47kΩ 1/16W J	1	
	R781	NRSA6AJ-331W	MG RESISTOR	330Ω 1/16W J	1	
	R782	NRSA63J-104X	MG RESISTOR	100kΩ 1/16W J	1	
	R783	NRSA63J-103X	MG RESISTOR	10kΩ 1/16W J	1	
	R785	NRSA6AJ-273W	MG RESISTOR	27kΩ 1/16W J	1	
	R787	NRSA63J-0R0X	MG RESISTOR	0Ω 1/10W J	1	
	R791	NRSA63J-472X	MG RESISTOR	4.7kΩ 1/16W J	1	
	R792	NRSA6AJ-103W	MG RESISTOR	10kΩ 1/16W J	1	
	R798	NRSA63J-270X	MG RESISTOR	27Ω 1/16W J	1	
	R799	NRSA63J-270X	MG RESISTOR	27Ω 1/16W J	1	
	R801	NRSA63J-0R0X	MG RESISTOR	0Ω 1/10W J	1	
	R881	NRSA6AJ-273W	MG RESISTOR	27kΩ 1/16W J	1	
	R882	NRSA63J-472X	MG RESISTOR	4.7kΩ 1/16W J	1	
	R891	NRSA63J-103X	MG RESISTOR	10kΩ 1/16W J	1	
	R892	NRSA63J-683X	MG RESISTOR	68kΩ 1/16W J	1	
	R893	NRSA63J-123X	MG RESISTOR	12kΩ 1/16W J	1	
	R894	NRSA63J-0R0X	MG RESISTOR	0Ω 1/10W J	1	
	R901	NRSA63J-103X	MG RESISTOR	10kΩ 1/16W J	1	
	R902	NRS181J-682X	MG RESISTOR	6.8kΩ 1/8W J	1	
	R903	NRS181J-682X	MG RESISTOR	6.8kΩ 1/8W J	1	
	R906	NRSA63J-562X	MG RESISTOR	5.6kΩ 1/16W J	1	
	R907	NRSA63J-155X	MG RESISTOR	1.5MΩ 1/16W J	1	
	R908	NRSA63D-472X	MG RESISTOR	4.7kΩ 1/16W D	1	
	R909	NRSA63D-273X	MG RESISTOR	27kΩ 1/16W D	1	
	R912	NRS181J-0R0X	MG RESISTOR	0Ω 1/8W J	1	
	R915	NRS181J-0R0X	MG RESISTOR	0Ω 1/8W J	1	
	R922	NRSA63J-0R0X	MG RESISTOR	0Ω 1/10W J	1	
	R926	NRSA63J-0R0X	MG RESISTOR	0Ω 1/10W J	1	
	R933	NRS124J-100X	MG RESISTOR	10Ω 1/2W J	1	
	R934	NRS124J-100X	MG RESISTOR	10Ω 1/2W J	1	
	R935	NRS124J-100X	MG RESISTOR	10Ω 1/2W J	1	
	R937	NRS124J-100X	MG RESISTOR	10Ω 1/2W J	1	
	R938	NRS124J-100X	MG RESISTOR	10Ω 1/2W J	1	
	R939	NRS124J-100X	MG RESISTOR	10Ω 1/2W J	1	
	R941	NRS181J-472X	MG RESISTOR	4.7kΩ 1/8W J	1	
	R950	NRSA63J-101X	MG RESISTOR	100Ω 1/16W J	1	
	R951	NRSA63J-102X	MG RESISTOR	1kΩ 1/16W J	1	
	R952	NRSA63J-331X	MG RESISTOR	330Ω 1/16W J	1	
	R954	NRSA63J-103X	MG RESISTOR	10kΩ 1/16W J	1	
	R955	NRSA63J-103X	MG RESISTOR	10kΩ 1/16W J	1	
	R961	NRSA63J-0R0X	MG RESISTOR	0Ω 1/10W J	1	
	R963	NRSA63J-0R0X	MG RESISTOR	0Ω 1/10W J	1	
	R970	NRSA63J-473X	MG RESISTOR	47kΩ 1/16W J	1	
	R971	NRSA63J-103X	MG RESISTOR	10kΩ 1/16W J	1	
	R972	NRSA63J-103X	MG RESISTOR	10kΩ 1/16W J	1	
	R973	NRSA63J-203X	MG RESISTOR	20kΩ 1/16W J	1	
	R974	NRSA6AJ-473W	MG RESISTOR	47kΩ 1/16W J	1	
	R975	NRSA63J-473X	MG RESISTOR	47kΩ 1/16W J	1	
	R976	NRSA63J-683X	MG RESISTOR	68kΩ 1/16W J	1	
	R983	NRSA63J-472X	MG RESISTOR	4.7kΩ 1/16W J	1	
	R986	NRSA63D-273X	MG RESISTOR	27kΩ 1/16W D	1	
	R987	NRSA63D-114X	MG RESISTOR	110kΩ 1/16W D	1	
	R989	NRSA63D-913X	MG RESISTOR	91kΩ 1/16W D	1	
	L1	NQLK15J-R15X	COIL	0.15uH J	1	
	L2	NQLK15J-R33X	COIL	0.33uH J	1	
	L3	NQL103J-10NX	COIL	10nH J	1	
	L5	NQL382M-470X	COIL	47uH M	1	
	L6	NQL114K-100X	P COIL	10uH K	1	
	L7	NQL093K-R47X	P COIL	0.47uH K	1	
	L8	NQL093K-1R8X	P COIL	1.8uH K	1	

MODEL	MARK	MODEL	MARK
KD-AHD65J	A	KD-HDR61J	B

Safe	Symbol No.	Parts No.	Parts Name	Description	QTY	Local
	L9	NQL79GM-1R0X	COIL	1uH M	1	
	L10	NQL093K-R22X	P COIL	0.22uH K	1	
	L11	NQR0684-001X	FERRITE BEADS		1	
	L12	NQL103J-10NX	COIL	10nH J	1	
	L14	NQL79GM-1R0X	COIL	1uH M	1	
	L161	NQL553J-27NX	COIL	27nH J	1	
	L532	NQR0502-001X	FERRITE BEADS		1	
	L533	NQR0502-001X	FERRITE BEADS		1	
	L534	NQR0502-001X	FERRITE BEADS		1	
	L701	NQL79GM-4R7X	COIL	4.7uH M	1	
	L702	NQR0502-001X	FERRITE BEADS		1	
	L703	NQR0502-001X	FERRITE BEADS		1	
	L901	QQR1884-001	CHOKO COIL		1	
	L902	NQL79GM-101X	COIL	100uH M	1	
	L962	NQLH25M-4R7X	COIL	4.7uH M	1	
	L981	QQLA1AM-220	COIL	22uH M	1	
	L982	NQLH25M-4R7X	COIL	4.7uH M	1	
	CN502	QGF1049F1-26X	CONNECTOR	FFC/FPC (1-26)	1	
	CN701	QGG21102J1-20	CONNECTOR	(1-20)	1	
	CN901	QNZ0607-001	CAR CONNECTOR		1	
△	F902	NMFZ018-2R0X-E	FUSE	2A	1	
△	F904	QAD0184-1R0Z	P THERMISTOR	1Ω	1	
	J1	QNB0190-001	ANT TERMINAL		1	
	J1 or	QNB0348-001	ANT TERMINAL		1	
	J120	QNS0307-001	3.5 JACK		1	
	J321	QNN0866-001	PIN JACK		1	
	S701	QSW0648-001Z	TACT SWITCH		1	
	X1	NAX1117-001X	CRYSTAL		1	
	X540	QAX0929-001Z	C RESONATOR		1	
	X701	QAX0966-001Z	CRYSTAL		1	
	X702	QAX0401-001	CRYSTAL	32.768KHz	1	
	SWITCH UNIT <02>					
	IC601	PCA9624PW-X	IC		1	
	IC661	PTC6526LQ-L	IC		1	
	IC681	KSM-2003TN5B	IR DETECT UNIT		1	
	Q627 or	DSC5001/RS/-X	TRANSISTOR		1	
	D621	NSSM065T-X	LED		1	
	D622	NSSM065T-X	LED		1	
	D623	NSSM065T-X	LED		1	
	D624	NSSM065T-X	LED		1	
	D625	NSSM065T-X	LED		1	
	D627	RKZ5.6B2KG-X	Z DIODE		1	
	D627 or	DZ2J056/M/-X	Z DIODE		1	
	D630	SML-D12V8W-X	LED		1	
	D661	RKS801KF-X	SI DIODE		1	
	D661 or	DA2J101-X	SI DIODE		1	
	D662	RKZ5.1B2KG-X	SB DIODE		1	
	D662 or	DZ2J051/M/-X	Z DIODE		1	
	D663	RKZ5.1B2KG-X	SB DIODE		1	
	D663 or	DZ2J051/M/-X	Z DIODE		1	
	D664	RKZ5.1B2KG-X	SB DIODE		1	
	D664 or	DZ2J051/M/-X	Z DIODE		1	
	D682	RKZ3.3B2KG-X	Z DIODE		1	
	D682 or	DZ2J033/M/-X	Z DIODE		1	
	D691	RKZ5.1B2KG-X	SB DIODE		1	
	D691 or	DZ2J051/M/-X	Z DIODE		1	
	D692	RKZ5.1B2KG-X	SB DIODE		1	
	D692 or	DZ2J051/M/-X	Z DIODE		1	
	C620	NCB31CK-105X	C CAPACITOR	1uF 16V K	1	
	C624	NCB31CK-104X	C CAPACITOR	0.1uF 16V	1	
	C625	NCJ11EK-106X-R	C CAPACITOR	10uF 25V	1	
	C627	NCB31CK-105X	C CAPACITOR	1uF 16V K	1	
	C628	NCB31CK-105X	C CAPACITOR	1uF 16V K	1	
	C629	NCB31CK-105X	C CAPACITOR	1uF 16V K	1	
	C661	NCB31CK-105X	C CAPACITOR	1uF 16V K	1	
	C662	NDC31HJ-151X	C CAPACITOR	150pF 50V J	1	
	C663	NCB31HK-104X	C CAPACITOR	0.1uF 50V K	1	
	C665	NCB31HK-104X	C CAPACITOR	0.1uF 50V K	1	
	C666	NCB31HK-104X	C CAPACITOR	0.1uF 50V K	1	
	C682	NCB31CK-104X	C CAPACITOR	0.1uF 16V	1	
	C684	NDC31HJ-270X	C CAPACITOR	27pF 50V J	1	
	C685	NDC31HJ-270X	C CAPACITOR	27pF 50V J	1	
	C687	NCB31HK-472X	C CAPACITOR	4700pF 50V K	1	
	C688	NCB31HK-472X	C CAPACITOR	4700pF 50V K	1	
	C691	NCJ11EK-106X-R	C CAPACITOR	10uF 25V	1	
	R601	NRSA63J-821X	MG RESISTOR	820Ω 1/16W J	1	
	R602	NRSA63J-821X	MG RESISTOR	820Ω 1/16W J	1	
	R603	NRSA63J-122X	MG RESISTOR	1.2kΩ 1/16W J	1	
	R604	NRSA63J-182X	MG RESISTOR	1.8kΩ 1/16W J	1	
	R605	NRSA63J-272X	MG RESISTOR	2.7kΩ 1/16W J	1	
	R607	NRSA63J-821X	MG RESISTOR	820Ω 1/16W J	1	
	R608	NRSA63J-821X	MG RESISTOR	820Ω 1/16W J	1	
	R609	NRSA63J-122X	MG RESISTOR	1.2kΩ 1/16W J	1	
	R610	NRSA63J-182X	MG RESISTOR	1.8kΩ 1/16W J	1	
	R611	NRSA63J-272X	MG RESISTOR	2.7kΩ 1/16W J	1	
	R612	NRSA63J-392X	MG RESISTOR	3.9kΩ 1/16W J	1	
	R613	NRSA63J-103X	MG RESISTOR	10kΩ 1/16W J	1	
	R614	NRSA63J-821X	MG RESISTOR	820Ω 1/16W J	1	
	R615	NRSA63J-821X	MG RESISTOR	820Ω 1/16W J	1	
	R616	NRSA63J-122X	MG RESISTOR	1.2kΩ 1/16W J	1	
	R617	NRSA63J-182X	MG RESISTOR	1.8kΩ 1/16W J	1	
	R618	NRSA63J-272X	MG RESISTOR	2.7kΩ 1/16W J	1	

MODEL	MARK	MODEL	MARK
KD-AHD65J	A	KD-HDR61J	B

Safe	Symbol No.	Parts No.	Parts Name	Description	QTY	Local
	R621	NRSA63J-0R0X	MG RESISTOR	0Ω 1/10W J	1	
	R623	NRS181J-331X	MG RESISTOR	330Ω 1/8W J	1	
	R624	NRSA63J-101X	MG RESISTOR	100Ω 1/16W J	1	
	R625	NRSA63J-101X	MG RESISTOR	100Ω 1/16W J	1	
	R627	NRSA63J-102X	MG RESISTOR	1kΩ 1/16W J	1	
	R628	NRS181J-4R7X	MG RESISTOR	4.7Ω 1/8W J	1	
	R647	NRS181J-621X	MG RESISTOR	620Ω 1/8W J	1	
	R648	NRS181J-621X	MG RESISTOR	620Ω 1/8W J	1	
	R649	NRS181J-102X	MG RESISTOR	1kΩ 1/8W J	1	
	R650	NRS181J-621X	MG RESISTOR	620Ω 1/8W J	1	
	R651	NRS181J-621X	MG RESISTOR	620Ω 1/8W J	1	
	R652	NRS181J-102X	MG RESISTOR	1kΩ 1/8W J	1	
	R653	NRS181J-122X	MG RESISTOR	1.2kΩ 1/8W J	1	
	R654	NRS181J-122X	MG RESISTOR	1.2kΩ 1/8W J	1	
	R656	NRS181J-621X	MG RESISTOR	620Ω 1/8W J	1	
	R657	NRS181J-621X	MG RESISTOR	620Ω 1/8W J	1	
	R658	NRS181J-102X	MG RESISTOR	1kΩ 1/8W J	1	
	R660	NRSA63J-394X	MG RESISTOR	390kΩ 1/16W J	1	
	R661	NRSA63J-102X	MG RESISTOR	1kΩ 1/16W J	1	
	R662	NRSA63J-102X	MG RESISTOR	1kΩ 1/16W J	1	
	R663	NRSA63J-102X	MG RESISTOR	1kΩ 1/16W J	1	
	R664	NRSA63J-224X	MG RESISTOR	220kΩ 1/16W J	1	
	R665	NRSA63J-101X	MG RESISTOR	100Ω 1/16W J	1	
	R666	NRSA63J-101X	MG RESISTOR	100Ω 1/16W J	1	
	R667	NRSA63J-101X	MG RESISTOR	100Ω 1/16W J	1	
	R678	NRS181J-0R0X	MG RESISTOR	0Ω 1/8W J	1	
	R681	NRSA63J-331X	MG RESISTOR	330Ω 1/16W J	1	
	R693	NRS181J-103X	MG RESISTOR	10kΩ 1/8W J	1	
	L621	NQR0022-005X	FERRITE BEADS		1	
	L674	NRSA02J-0R0X	MG RESISTOR	0Ω 1/10W J	1	
	L675	NRSA02J-0R0X	MG RESISTOR	0Ω 1/10W J	1	
	L676	NRSA02J-0R0X	MG RESISTOR	0Ω 1/10W J	1	
	CN601	QGZ1102K2-20X	CONNECTOR	(1-20)	1	
	CN603	QNZ1076-001	USB CONNECTOR		1	
	CN603 or	QNZ1057-001	USB CONNECTOR		1	
	J601	QNS0298-001	3.5 JACK		1	
	JS686	QSW1231-002	ROTARY ENCODER		1	
	LF691	NQR0682-001X	CHOKE COIL		1	
	S601	NSW0246-001X	TACT SWITCH		1	
	S602	NSW0246-001X	TACT SWITCH		1	
	S603	NSW0246-001X	TACT SWITCH		1	
	S604	NSW0246-001X	TACT SWITCH		1	
	S605	NSW0246-001X	TACT SWITCH		1	
	S606	NSW0246-001X	TACT SWITCH		1	
	S607	NSW0246-001X	TACT SWITCH		1	
	S608	NSW0246-001X	TACT SWITCH		1	
	S609	NSW0246-001X	TACT SWITCH		1	
	S610	NSW0246-001X	TACT SWITCH		1	
	S611	NSW0246-001X	TACT SWITCH		1	
	S612	NSW0246-001X	TACT SWITCH		1	
	S613	NSW0246-001X	TACT SWITCH		1	
	S614	NSW0246-001X	TACT SWITCH		1	
	S615	NSW0246-001X	TACT SWITCH		1	
	S616	NSW0246-001X	TACT SWITCH		1	
	S617	NSW0246-001X	TACT SWITCH		1	
	HD UNIT <03>					
	△ IC101	STA680Q	IC		1	
	△ IC151	JVM511C	IC		1	
	△ IC191	M12L1281687TG2L	IC(DIGITAL)		1	
	C101	NCB31CK-105X	C CAPACITOR	1uF 16V K	1	
	C102	NCB31HK-471X	C CAPACITOR	470pF 50V K	1	
	C103	NCB31CK-104X	C CAPACITOR	0.1uF 16V	1	
	C104	NCB31CK-104X	C CAPACITOR	0.1uF 16V	1	
	C105	NCB31CK-104X	C CAPACITOR	0.1uF 16V	1	
	C106	NCB31CK-104X	C CAPACITOR	0.1uF 16V	1	
	C107	NCB31CK-104X	C CAPACITOR	0.1uF 16V	1	
	C108	NCB31CK-104X	C CAPACITOR	0.1uF 16V	1	
	C109	NCB31CK-104X	C CAPACITOR	0.1uF 16V	1	
	C110	NCB31CK-104X	C CAPACITOR	0.1uF 16V	1	
	C111	NCB31CK-104X	C CAPACITOR	0.1uF 16V	1	
	C112	NCB31CK-104X	C CAPACITOR	0.1uF 16V	1	
	C113	NCB31CK-104X	C CAPACITOR	0.1uF 16V	1	
	C114	NCB31CK-104X	C CAPACITOR	0.1uF 16V	1	
	C115	NCJ30JM-106X-A	C CAPACITOR	10uF 6.3V M	1	
	C116	NCJ30JM-106X-A	C CAPACITOR	10uF 6.3V M	1	
	C117	NCB20JK-106X	C CAPACITOR	10uF 6.3V K	1	
	C118	NCB20JK-106X	C CAPACITOR	10uF 6.3V K	1	
	C119	NCB31CK-104X	C CAPACITOR	0.1uF 16V	1	
	C120	NCB31CK-104X	C CAPACITOR	0.1uF 16V	1	
	C121	NCB31CK-104X	C CAPACITOR	0.1uF 16V	1	
	C122	NCB31CK-104X	C CAPACITOR	0.1uF 16V	1	
	C124	NCB31CK-104X	C CAPACITOR	0.1uF 16V	1	
	C125	NCB31CK-104X	C CAPACITOR	0.1uF 16V	1	
	C126	NCB31CK-104X	C CAPACITOR	0.1uF 16V	1	
	C127	NCB31CK-104X	C CAPACITOR	0.1uF 16V	1	
	C128	NCB31CK-104X	C CAPACITOR	0.1uF 16V	1	
	C129	NCB31CK-104X	C CAPACITOR	0.1uF 16V	1	
	C130	NCB31CK-104X	C CAPACITOR	0.1uF 16V	1	
	C131	NCB31CK-104X	C CAPACITOR	0.1uF 16V	1	
	C132	NCB31CK-104X	C CAPACITOR	0.1uF 16V	1	
	C133	NCB31CK-104X	C CAPACITOR	0.1uF 16V	1	
	C134	NCB31CK-104X	C CAPACITOR	0.1uF 16V	1	

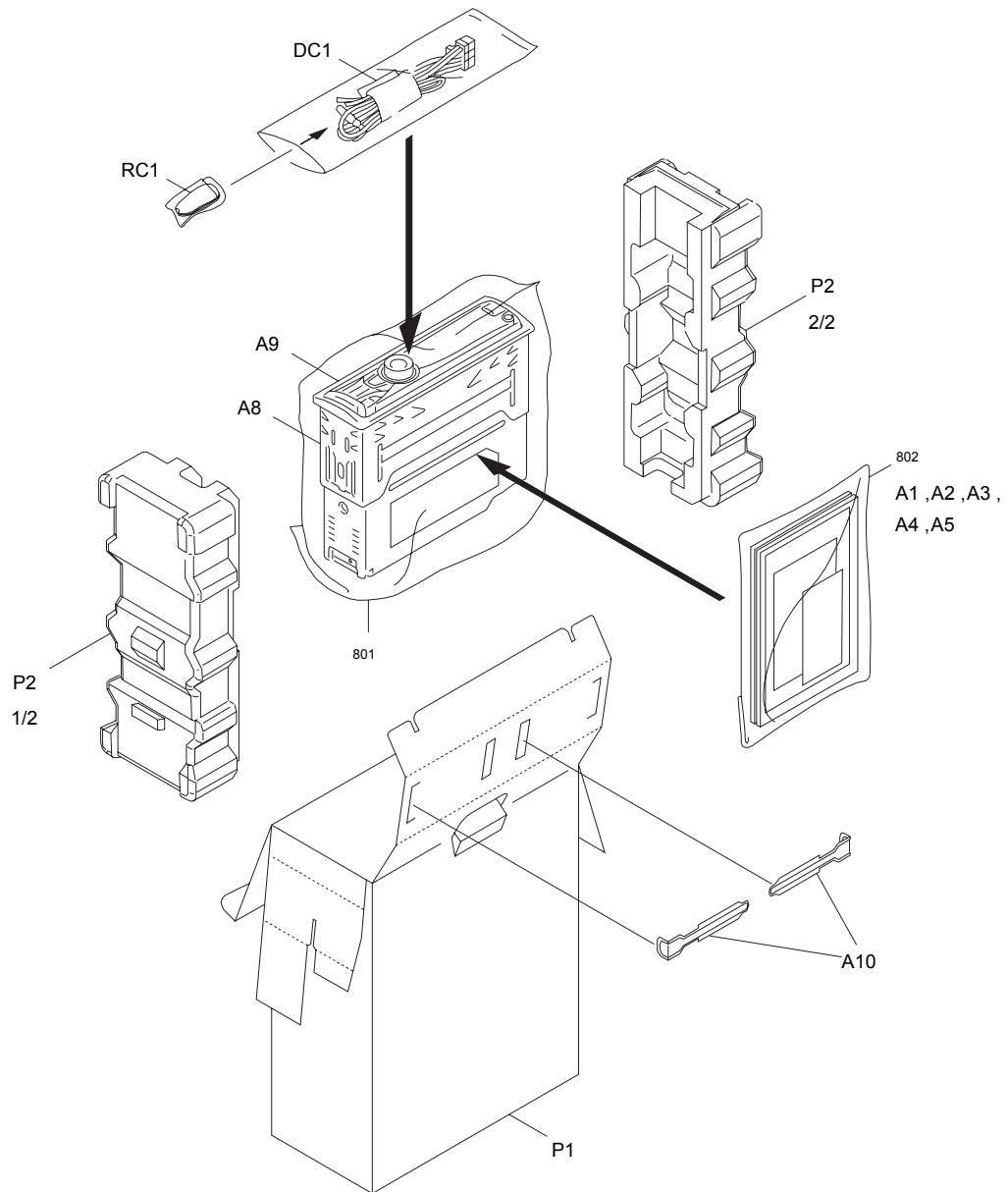
MODEL	MARK	MODEL	MARK
KD-AHD65J	A	KD-HDR61J	B

Safe	Symbol No.	Parts No.	Parts Name	Description	QTY	Local
	C135	NCB31CK-104X	C CAPACITOR	0.1uF 16V	1	
	C136	NDC31HJ-3R0X	C CAPACITOR	3pF 50V J	1	
	C137	NDC31HJ-4R0X	C CAPACITOR	4pF 50V J	1	
	C138	NCB20JK-106X	C CAPACITOR	10uF 6.3V K	1	
	C144	NDC31HJ-680X	C CAPACITOR	68pF 50V J	1	
	C145	NDC31HJ-680X	C CAPACITOR	68pF 50V J	1	
	C146	NDC31HJ-680X	C CAPACITOR	68pF 50V J	1	
	C147	NCB31CK-104X	C CAPACITOR	0.1uF 16V	1	
	C150	NCB31CK-104X	C CAPACITOR	0.1uF 16V	1	
	C151	NCB31CK-104X	C CAPACITOR	0.1uF 16V	1	
	C152	NCB31CK-104X	C CAPACITOR	0.1uF 16V	1	
	C153	NCB31CK-104X	C CAPACITOR	0.1uF 16V	1	
	C154	NCB31CK-104X	C CAPACITOR	0.1uF 16V	1	
	C155	NCB31CK-104X	C CAPACITOR	0.1uF 16V	1	
	C156	NCB31CK-104X	C CAPACITOR	0.1uF 16V	1	
	R104	NRSA63J-470X	MG RESISTOR	47Ω 1/16W J	1	
	R105	NRSA63J-470X	MG RESISTOR	47Ω 1/16W J	1	
	R106	NRSA63J-471X	MG RESISTOR	470Ω 1/16W J	1	
	R108	NRSA63J-470X	MG RESISTOR	47Ω 1/16W J	1	
	R109	NRSA63J-470X	MG RESISTOR	47Ω 1/16W J	1	
	R110	NRSA63J-103X	MG RESISTOR	10kΩ 1/16W J	1	
	R111	NRSA63J-103X	MG RESISTOR	10kΩ 1/16W J	1	
	R112	NRSA63J-103X	MG RESISTOR	10kΩ 1/16W J	1	
	R113	NRSA63J-750X	MG RESISTOR	75Ω 1/16W J	1	
	R114	NRSA63J-102X	MG RESISTOR	1kΩ 1/16W J	1	
	R115	NRSA63J-270X	MG RESISTOR	27Ω 1/16W J	1	
	R116	NRSA63J-470X	MG RESISTOR	47Ω 1/16W J	1	
	R117	NRSA63J-103X	MG RESISTOR	10kΩ 1/16W J	1	
	R118	NRSA63J-103X	MG RESISTOR	10kΩ 1/16W J	1	
	R122	NRSA63J-0R0X	MG RESISTOR	0Ω 1/10W J	1	
	RA101	NRB04CJ-470W	NET RESISTOR	47Ω J	1	
	RA102	NRB04CJ-470W	NET RESISTOR	47Ω J	1	
	RA103	NRB04CJ-470W	NET RESISTOR	47Ω J	1	
	RA104	NRB04CJ-470W	NET RESISTOR	47Ω J	1	
	RA105	NRB04CJ-470W	NET RESISTOR	47Ω J	1	
	RA106	NRB04CJ-470W	NET RESISTOR	47Ω J	1	
	RA107	NRB04CJ-470W	NET RESISTOR	47Ω J	1	
	RA108	NRB04CJ-470W	NET RESISTOR	47Ω J	1	
	RA109	NRB04CJ-470W	NET RESISTOR	47Ω J	1	
	RA111	NRB04CJ-470W	NET RESISTOR	47Ω J	1	
	RA112	NRB04CJ-470W	NET RESISTOR	47Ω J	1	
	RA113	NRB04CJ-470W	NET RESISTOR	47Ω J	1	
	L101	NQL093K-1R8X	P COIL	1.8uH K	1	
	L102	NQL093K-1R8X	P COIL	1.8uH K	1	
	CN101	QGG2001M1-18	CONNECTOR	(1-18)	1	
	CN102	QGG2001M1-03	CONNECTOR	(1-3)	1	
	X101	NAX1116-001X	CRYSTAL		1	
CD PLYAER UNIT (FLM-HC3-1D) <04>						
	R1	NRSA63J-131X	MG RESISTOR	130Ω 1/16W J	1	
	CN101	QGF1044F2-26X	CONNECTOR	FFC/FPC (1-26)	1	
	CN102	QGF0522F3-15W	CONNECTOR	FFC/FPC (1-15)	1	
	SW1	NSW0291-001X	DETECT SWITCH		1	
	SW1	or NSW0233-001X	DETECT SWITCH		1	
	SW2	NSW0291-001X	DETECT SWITCH		1	
	SW2	or NSW0233-001X	DETECT SWITCH		1	
	SW3	NSW0291-001X	DETECT SWITCH		1	
	SW3	or NSW0233-001X	DETECT SWITCH		1	
	SW4	NSW0291-001X	DETECT SWITCH		1	
	SW4	or NSW0233-001X	DETECT SWITCH		1	

PACKING AND ACCESSORIES

Block No.M3MM

No additional / supplemental order of WARRANTY CARDS are available.



Parts with the exploded numbers larger than 700 are not supplied.

MODEL	MARK	MODEL	MARK
KD-AHD65J	A	KD-HDR61J	B

Safe	Symbol No.	Parts No.	Parts Name	Description	QTY	Local
PACKING AND ACCESSORIES <M3MM>						
	DC1	QAM1329-001	CAR CABLE		1	
	RC1	RM-RK52M	REMOCON UNIT		1	
	A1	GET0773-001A	INST BOOK	ENG SPA FRE	1	
	A2	GET0773-002A	INSTALL MANUAL	ENG SPA FRE	1	
	A3	BT-51044-1	REGISTRATION CARD		1	
	A4	-----	WARRANTY CARD	BT-52008-1	1	
	A5	-----	WARRANTY CARD	BT-51029-3	1	A
	A5	-----	WARRANTY CARD	BT-51018-6	1	B
	A8	GE20279-001A	MOUNTING SLEEVE		1	
	A9	GE20295-003A	TRIM PLATE		1	
	A10	GE40508-001A	HOOK		2	
	P1	GE34747-001A	CARTON		1	A
	P1	GE34750-001A	CARTON		1	B
	P2	GE10324-001A	CUSHION		1	