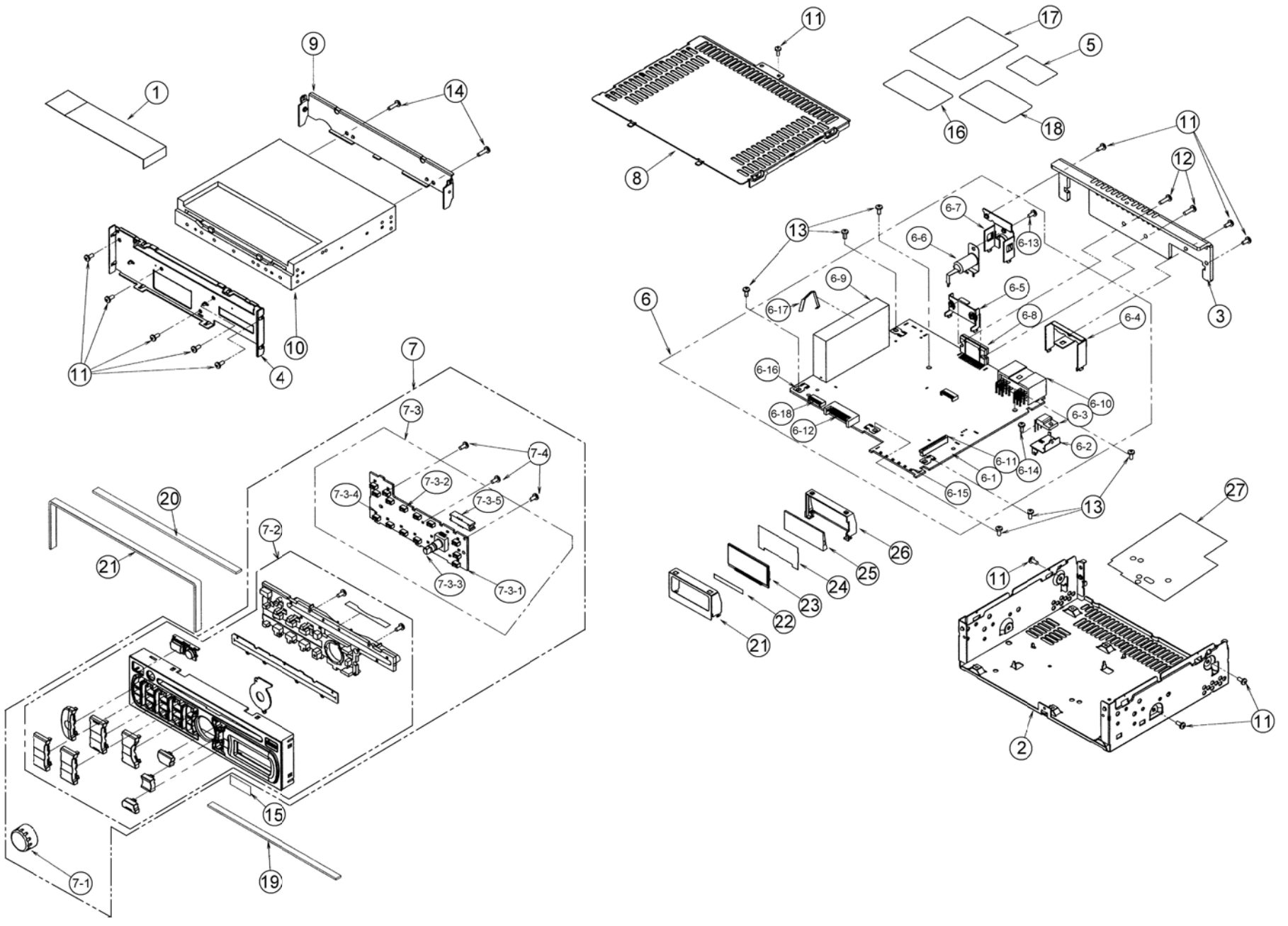
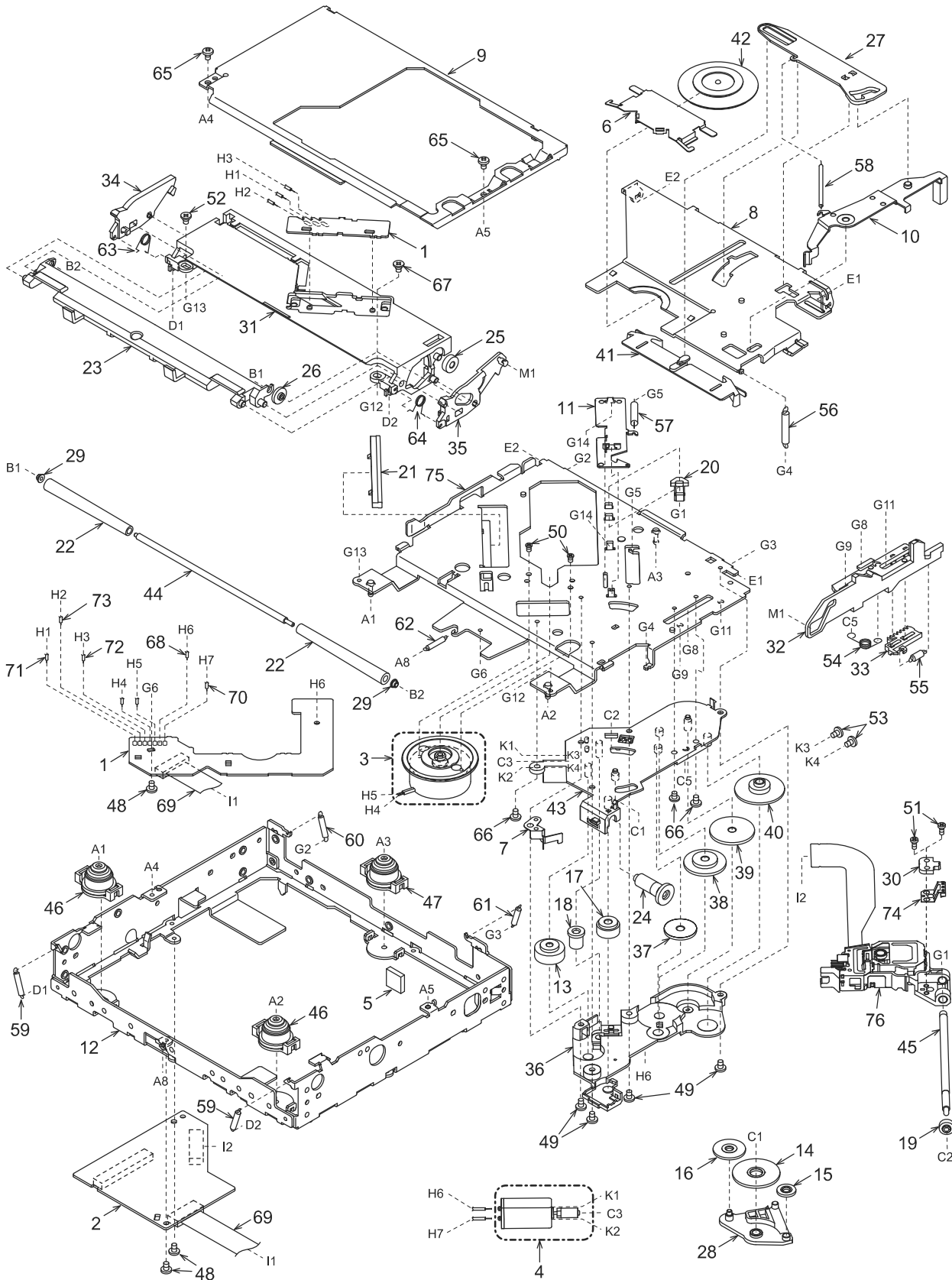


EXPLODED VIEW / PARTS LIST

| NO. | PART NO. | DESCRIPTION | Q'TY | NO. | PART NO. | DESCRIPTION | Q'TY |
|------|-------------|--------------------------|------|-------|-------------|--------------------------|------|
| 1 | 816-4027-50 | FLAT WIRE | 1 | 7-3-1 | ----- | SW PWB(348600-039) | 1 |
| 2 | 311-1915-00 | LOWER CASE | 1 | 7-3-2 | 013-6305-51 | SWITCH | 15 |
| 3 | 313-1963-00 | HEAT SINK | 1 | 7-3-3 | 016-0018-15 | VR W/SHAFT | 1 |
| 4 | 309-0820-00 | ES PLATE | 1 | 7-3-4 | 001-7048-94 | DIODE | 18 |
| 5 | ----- | N/A(SETPLATE) | - | 7-3-5 | 074-1151-16 | OUTLET SOCKET | 1 |
| 6 | ----- | MAIN-PWB-ASSY(2987F7-53) | 1 | 7-4 | 716-0778-51 | SPECIAL SCREW | 3 |
| 6-1 | ----- | MAIN PWB(288402-039) | 1 | 8 | 310-1761-20 | UPPER CASE | 1 |
| 6-2 | 331-3458-00 | TR HOLDER | 1 | 9 | 331-4183-00 | MECH BRKT | 1 |
| 6-3 | 103-2012-00 | TRANSISTOR | 1 | 10 | 929-5002-80 | DIGITAL-MECH | 1 |
| 6-4 | 331-4133-00 | CONN HOLDER | 1 | 11 | 714-2606-8B | MACHINE SCREW | 12 |
| 6-5 | 331-3459-00 | IC HOLDER | 1 | 12 | 714-2610-8H | MACHINE SCREW | 2 |
| 6-6 | 092-0702-50 | ANT-RECEPT | 1 | 13 | 716-0878-50 | SPECIAL SCREW | 6 |
| 6-7 | 331-3444-20 | ANT HOLDER | 1 | 14 | 714-2603-8H | MACHINE SCREW | 2 |
| 6-8 | 051-2040-00 | IC | 1 | 15 | 290-8506-31 | LABEL | 1 |
| 6-9 | 941-0215-73 | TUNER PACK | 1 | 16 | 290-0171-21 | LABEL | 1 |
| 6-10 | 074-1061-00 | OUTLET SOCKET | 1 | 17 | 286-9563-22 | SETPLATE(for PJ-2987T-B) | 1 |
| 6-11 | 074-1192-26 | OUTLET SOCKET | 1 | | 286-9563-28 | SETPLATE(for PJ-2987T-C) | 1 |
| 6-12 | 076-0540-16 | PLUG | 1 | 18 | ----- | N/A(SETPLATE) | - |
| 6-13 | 714-2606-8B | MACHINE SCREW | 1 | 19 | ----- | N/A(TRIM RUBBER) | - |
| 6-14 | 716-0878-50 | SPECIAL SCREW | 1 | 20 | ----- | N/A(TRIM RUBBER) | - |
| 6-15 | 001-7048-94 | DIODE | 6 | 21 | 331-4134-00 | LCD COVER | 1 |
| 6-16 | 073-0762-90 | TERMINAL | 4 | 22 | 347-7813-00 | FILM(LCD) | 1 |
| 6-17 | 331-4312-01 | EARTH PLATE | 1 | 23 | 379-1360-30 | INDICATOR | 1 |
| 6-18 | 076-0478-58 | PLUG | 1 | 24 | 347-7812-00 | LCD FILM | 1 |
| 7 | ----- | PANEL-ASSY(2987C0-45) | 1 | 25 | 335-7708-00 | ILL-PLATE(LCD) | 1 |
| 7-1 | 380-5660-00 | KNOB | 1 | 26 | 335-7707-00 | LCD HOLDER | 1 |
| 7-2 | 940-8121-01 | ESCUTCHEON-ASSY | 1 | 27 | ----- | N/A(INSULATOR) | - |
| 7-3 | ----- | SW-PWB-ASSY(2987B7-51) | 1 | | | | |



EXPLODED VIEW/PARTS LIST



| NO. | PART NO. | DESCRIPTION | Q'TY | NO. | PART NO. | DESCRIPTION | Q'TY |
|-----|-------------|--------------------|------|-----|-------------|----------------------|------|
| 1 | ----- | SENSOR PWB | 1 | 39 | 621-1750-20 | POWER GEAR C | 1 |
| 2 | ----- | CD PWB | 1 | 40 | 621-1751-20 | POWER GEAR D | 1 |
| 3 | SMA-182-100 | SPINDLE MOTOR-ASSY | 1 | 41 | 621-1752-20 | DISC STOPPER | 1 |
| 4 | SMA-183-100 | SLED MOTOR-ASSY | 1 | 42 | 621-1753-20 | CLAMPER RING | 1 |
| 5 | 345-5476-20 | CUSHION RUBBER | 1 | 43 | 621-1754-20 | GEAR BASE | 1 |
| 6 | 620-1023-23 | CLAMPER PLATE | 1 | 44 | 622-1571-21 | ROLLER SHAFT | 1 |
| 7 | 620-1026-21 | SPRING PLATE | 1 | 45 | 624-0020-00 | LEAD SCREW | 1 |
| 8 | 620-1596-23 | CLAMPER LINK | 1 | 46 | 629-0086-20 | DAMPER F | 2 |
| 9 | 620-1598-22 | UPPER CHASSIS | 1 | 47 | 629-0087-20 | DAMPER R | 1 |
| 10 | 620-1752-20 | SENSOR ARM | 1 | 48 | 716-1507-01 | SCREW(M2x3) | 3 |
| 11 | 620-1753-20 | ID-LOCK PLATE | 1 | 49 | 716-1670-01 | SCREW(M2x4) | 4 |
| 12 | 620-1754-20 | LOWER CHASSIS | 1 | 50 | 716-1733-01 | SCREW(M1.7x2.3) | 2 |
| 13 | 621-0608-21 | SECOND GEAR | 1 | 51 | 716-3469-01 | SCREW(1.7x4) | 2 |
| 14 | 621-0609-20 | BASE GEAR | 1 | 52 | 716-3473-01 | SCREW(M2x3) | 1 |
| 15 | 621-0610-20 | IDLE GEAR A | 1 | 53 | 716-3551-00 | SCREW(M1.4x2.5) | 2 |
| 16 | 621-0611-20 | IDLE GEAR B | 1 | 54 | 750-3467-21 | SHIFT SPRING | 1 |
| 17 | 621-0612-21 | ROLLER GEAR A | 1 | 55 | 750-3468-20 | RACK SPRING | 1 |
| 18 | 621-0620-20 | THREAD GEAR A | 1 | 56 | 750-3469-20 | CLAMPER SPRING | 1 |
| 19 | 621-0621-20 | THREAD GEAR B | 1 | 57 | 750-3470-20 | ID-LOCK SPRING | 1 |
| 20 | 621-0623-23 | LS-HOLDER | 1 | 58 | 750-3471-20 | SENSOR SPRING | 1 |
| 21 | 621-0624-22 | GUIDE RAIL | 1 | 59 | 750-3472-21 | DR-SPRING F | 2 |
| 22 | 621-0711-20 | LOADING ROLLER | 2 | 60 | 750-3473-20 | DR-SPRING RA | 1 |
| 23 | 621-0718-21 | ROLLER GUIDE | 1 | 61 | 750-3474-20 | DR-SPRING RB | 1 |
| 24 | 621-0719-20 | ROLLER GEAR | 1 | 62 | 750-3475-21 | DR-SPRING C | 1 |
| 25 | 621-0720-20 | ROLLER GEAR C | 1 | 63 | 750-6797-20 | ROLLER SPRING L | 1 |
| 26 | 621-0721-20 | ROLLER GEAR D | 1 | 64 | 750-6798-20 | ROLLER SPRING R | 1 |
| 27 | 621-0728-20 | STOPPER LINK | 1 | 65 | 714-2003-8B | SCREW(M2x3) | 2 |
| 28 | 621-1719-20 | IDLE CASE | 1 | 66 | 780-2025-00 | SCREW(M2x2.5) | 3 |
| 29 | 621-1726-20 | ROLLER SLEEVE | 2 | 67 | 781-1730-00 | SCREW(M1.7x3) | 1 |
| 30 | 621-1729-20 | SH-BASE | 1 | 68 | 803-4906-60 | VINYL-COAT-WIRE(ORG) | 1 |
| 31 | 621-1742-20 | UPPER GUIDE | 1 | 69 | 816-2542-01 | FLAT WIRE | 1 |
| 32 | 621-1743-20 | SHIFT LEVER | 1 | 70 | 816-2590-00 | SPECIAL LEAD(GRN) | 1 |
| 33 | 621-1744-20 | RACK | 1 | 71 | 816-2591-00 | SPECIAL LEAD(YEL) | 1 |
| 34 | 621-1745-20 | LOCK ARM L | 1 | 72 | 816-2592-00 | SPECIAL LEAD(BLUE) | 1 |
| 35 | 621-1746-20 | LOCK ARM R | 1 | 73 | 816-2593-00 | SPECIAL LEAD(PUR) | 1 |
| 36 | 621-1747-20 | GEAR COVER | 1 | 74 | 966-1722-20 | SH-RACK-ASSY | 1 |
| 37 | 621-1748-20 | POWER GEAR A | 1 | 75 | 966-1743-21 | DRIVE-PLT-ASSY | 1 |
| 38 | 621-1749-20 | POWER GEAR B | 1 | 76 | 969-0071-30 | PICKUP-ASSY | 1 |

ELECTRICAL PARTS LIST

CD PWB(BM1) section

| REF No. | PART No. | DESCRIPTION | REF No. | PART No. | DESCRIPTION | REF No. | PART No. | DESCRIPTION |
|---------|-------------|-------------|---------|-------------|-------------------|---------|-------------|------------------------|
| C1 | 168-1042-78 | 16V 0.1uF | C35 | 046-6812-58 | 680pF | R2 | 117-1001-15 | 1/8W 10 ohm |
| C3 | 163-2273-05 | 4V220uF | C36 | 168-1042-78 | 16V 0.1uF | R9 | 033-2211-15 | 1/10W 220 ohm |
| C4 | 168-1042-78 | 16V 0.1uF | C37 | 168-1042-78 | 16V 0.1uF | R11 | 033-1051-15 | 1/10W 1M ohm |
| C5 | 163-1073-35 | 16V100uF | C38 | 046-1522-58 | 1500pF | R12 | 119-2221-15 | 1/10W 2.2k ohm |
| C6 | 163-1073-35 | 16V100uF | C39 | 046-4722-58 | 4700pF | R13 | 033-2211-15 | 1/10W 220 ohm |
| C7 | 168-1042-78 | 16V 0.1uF | C40 | 046-1032-78 | 0.01uF | R14 | 033-2211-15 | 1/10W 220 ohm |
| C9 | 178-1052-78 | 1uF | C41 | 046-1532-78 | 0.015uF | R16 | 033-2231-15 | 1/10W 22k ohm |
| C10 | 042-0560-85 | 6.3V 100uF | C43 | 168-1042-78 | 16V 0.1uF | R17 | 033-1011-15 | 1/10W 100 ohm |
| C11 | 046-4712-58 | 470pF | C45 | 045-6097-50 | 6pF | R18 | 033-3341-15 | 1/10W 330k ohm |
| C12 | 178-1052-78 | 1uF | C47 | 045-4701-50 | 47pF | R19 | 033-5621-15 | 1/10W 5.6k ohm |
| C13 | 046-4712-58 | 470pF | C48 | 168-1042-78 | 16V 0.1uF | R21 | 033-2231-15 | 1/10W 22k ohm |
| C15 | 168-1042-78 | 16V 0.1uF | C49 | 168-1042-78 | 16V 0.1uF | R22 | 033-4731-15 | 1/10W 47k ohm |
| C16 | 168-4732-78 | 0.047uF K | C50 | 042-0666-00 | 12.5V 22uF | R24 | 033-1041-15 | 1/10W 100k ohm |
| C17 | 168-4732-78 | 0.047uF K | C51 | 046-5622-58 | 5600pF | R26 | 033-1531-15 | 1/10W 15k ohm |
| C18 | 168-1042-78 | 16V 0.1uF | C52 | 178-1052-78 | 1uF | R27 | 033-4731-15 | 1/10W 47k ohm |
| C19 | 168-1042-78 | 16V 0.1uF | C53 | 045-1007-50 | 10pF | R28 | 033-1831-15 | 1/10W 18k ohm |
| C21 | 046-6822-58 | 6800pF | C54 | 045-1007-50 | 10pF | R29 | 033-6821-15 | 1/10W 6.8k ohm |
| C22 | 046-3332-78 | 0.033uF | C55 | 178-1052-78 | 1uF | R30 | 033-8231-15 | 1/10W 82k ohm |
| C24 | 178-1052-78 | 1uF | CCT2 | 050-0140-63 | 1/32W 47k ohm x4J | R31 | 033-8231-15 | 1/10W 82k ohm |
| C25 | 168-1042-78 | 16V 0.1uF | D1 | 001-0367-91 | 1SS226 | R32 | 119-1001-15 | 1/10W 10 ohm |
| C26 | 168-1042-78 | 16V 0.1uF | IC1 | 051-6071-08 | BA5825FP-E2 | R33 | 033-2731-15 | 1/10W 27k ohm |
| C28 | 168-1042-78 | 16V 0.1uF | IC2 | 051-6399-00 | TC94A15F | R34 | 033-2731-15 | 1/10W 27k ohm |
| C29 | 168-1042-78 | 16V 0.1uF | J101 | 074-1228-76 | 26P | R35 | 033-2731-15 | 1/10W 27k ohm |
| C30 | 045-6801-50 | 68pF | J201 | 074-1138-65 | 15P | R36 | 033-2731-15 | 1/10W 27k ohm |
| C31 | 168-1042-78 | 16V 0.1uF | J301 | 074-1138-60 | 10P | R37 | 032-0162-50 | 1/10W 0.51 ohm |
| C32 | 168-1042-78 | 16V 0.1uF | Q1 | 131-1188-50 | 2SB1188PQR | X2 | 061-3534-90 | 16.92MHz |
| C33 | 046-1532-78 | 0.015uF | Q2 | 131-1188-50 | 2SB1188PQR | PWB | 039-2435-20 | PWB(WITHOUT COMPONENT) |
| C34 | 168-1042-78 | 16V 0.1uF | R1 | 117-6811-15 | 1/8W 680 ohm | | | |

Sensor PWB(BM2) section

| REF No. | PART No. | DESCRIPTION | REF No. | PART No. | DESCRIPTION | REF No. | PART No. | DESCRIPTION |
|---------|-------------|-------------|---------|-------------|-------------|---------|-------------|------------------------|
| D1 | 001-7058-90 | AN1105W-RR | Q1 | 060-4015-91 | PS1192HB | S2 | 013-7413-50 | LIMIT |
| D2 | 001-7058-90 | AN1105W-RR | Q2 | 060-4015-91 | PS1192HB | PWB | 039-2675-20 | PWB(WITHOUT COMPONENT) |
| J1 | 074-1138-60 | 10P | S1 | 013-7414-50 | CHUCKING | | | |