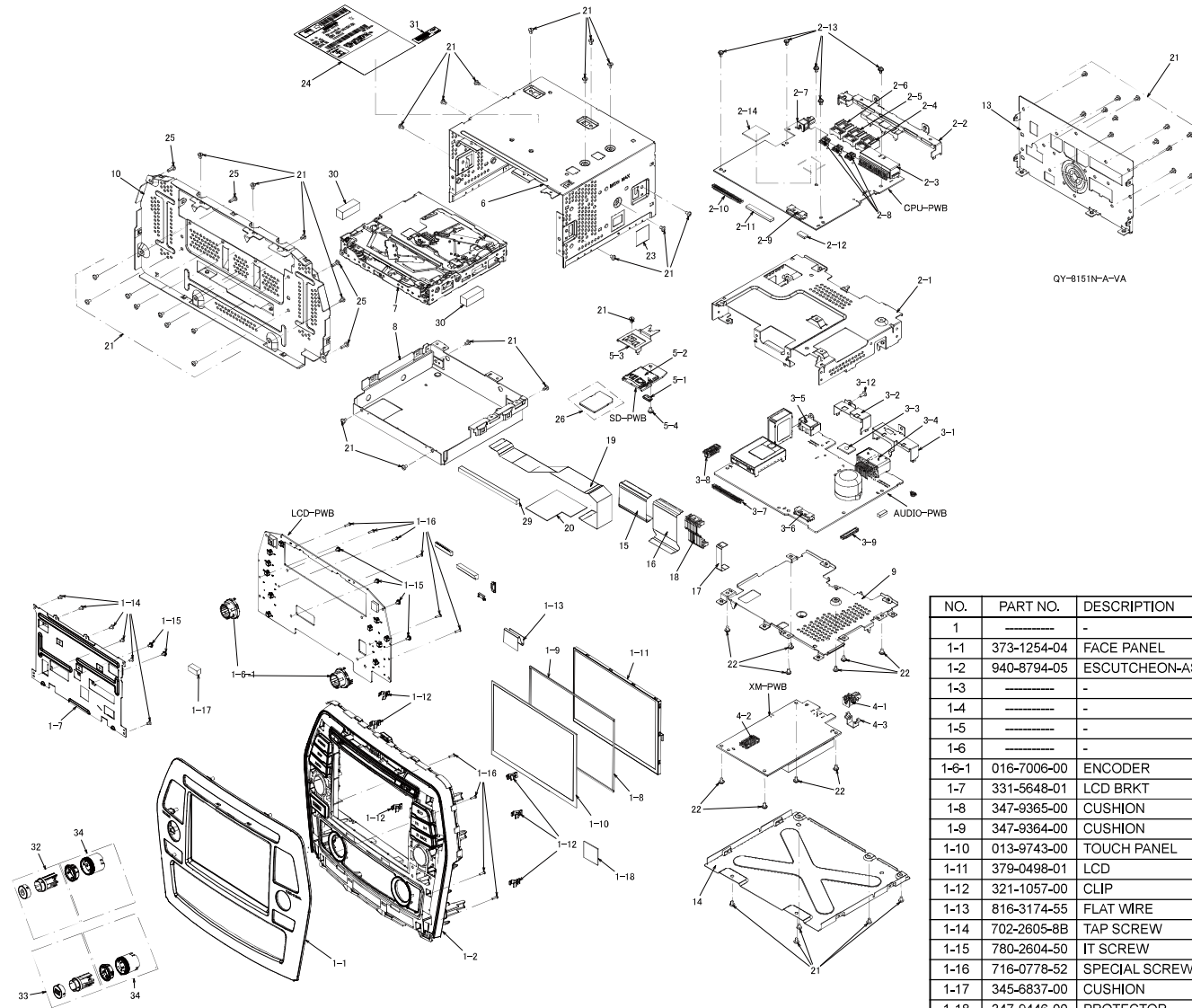


QY-8151N-A section



NO.	PART NO.	DESCRIPTION	QTY
1	-----	-	-
1-1	373-1254-04	FACE PANEL	1
1-2	940-8794-05	ESCUTCHEON-ASSY	1
1-3	-----	-	-
1-4	-----	-	-
1-5	-----	-	-
1-6	-----	-	-
1-6-1	016-7006-00	ENCODER	2
1-7	331-5648-01	LCD BRKT	1
1-8	347-9365-00	CUSHION	2
1-9	347-9364-00	CUSHION	2
1-10	013-9743-00	TOUCH PANEL	1
1-11	379-0498-01	LCD	1
1-12	321-1057-00	CLIP	6
1-13	816-3174-55	FLAT WIRE	1
1-14	702-2605-8B	TAP SCREW	6
1-15	780-2604-50	IT SCREW	6
1-16	716-0778-52	SPECIAL SCREW	10
1-17	345-6837-00	CUSHION	1
1-18	347-9446-00	PROTECTOR	1
2	-----	-	-
2-1	331-5644-02	INNER CHASSIS	1
2-2	331-5638-01	CPU HOLDER	1
2-3	EAZ0921	OUTLET SOCKET	1
2-4	074-9049-00	OUTLET SOCKET	1
2-5	074-9049-03	OUTLET SOCKET	1

NO.	PART NO.	DESCRIPTION	QTY
2-6	074-9049-02	OUTLET SOCKET	1
2-7	092-2255-04	ANT-RECEPT	1
2-8	074-4091-90	OUTLET SOCKET	3
2-9	076-6021-60	PLUG	1
2-10	074-2248-80	OUTLET SOCKET	1
2-11	074-2266-18	OUTLET SOCKET	1
2-12	074-2273-65	OUTLET SOCKET	1
2-13	780-2604-50	IT SCREW	5
2-14	345-6682-00	CUSHION	1
3	-----	-	-
3-1	331-5639-00	AUDIO-BRKT(L)	1
3-2	331-5640-00	AUDIO-BRKT(R)	1
3-3	073-0787-90	TERMINAL	1
3-4	074-4086-20	OUTLET SOCKET	1
3-5	092-2210-00	ANT-RECEPT	1
3-6	076-6021-60	PLUG	1
3-7	074-2248-80	OUTLET SOCKET	1
3-8	074-3062-50	OUTLET SOCKET	1
3-9	074-2248-40	OUTLET SOCKET	1
3-10	-----	-	-
3-11	-----	-	-
3-12	714-2604-8B	MACHINE SCREW	1
4	-----	-	-
4-1	092-2262-02	ANT-RECEPT	1
4-2	076-3062-50	PLUG	1
4-3	331-4427-01	ANT HOLDER	1
5	-----	-	-
5-1	074-2273-65	OUTLET SOCKET	1
5-2	074-8014-90	OUTLET SOCKET	1
5-3	331-5735-01	SD-BRKT	1
5-4	780-2604-50	IT SCREW	1
6	310-2044-00	TOP CASE	1
7	929-5410-80	CD MECH	1
8	331-5641-01	MECH BRKT(CD)	1
9	331-5645-06	SHIELD PLATE	1
10	309-2005-01	FRONT PLATE	1
11	-----	-	-
12	-----	-	-
13	307-0834-24	REAR PLATE	1
14	311-2093-00	BOTTOM CASE	1
15	816-3105-05	FLAT WIRE	1
16	816-3171-05	FLAT WIRE	1
17	816-3170-55	FLAT WIRE	1
18	854-4667-81	EXTENSION LEAD	1
19	816-3173-55	FLAT WIRE	1
20	347-9475-00	PROTECTOR	1
21	714-2604-8B	MACHINE SCREW	43
22	780-2604-50	IT SCREW	10
23	347-9222-00	COVER FILM	1
24	276-1607-01	SETPLATE	1
25	778-2608-17	SPECIAL SCREW	4
26	-----	-	-
27	-----	-	-
28	-----	-	-
29	345-6714-00	GASKET	1
30	345-6840-00	GASKET	2
31	276-1406-00	XM LABEL	1
32	947-0857-02	BUTTON ASSY(L)	1
33	947-0858-02	BUTTON ASSY(R)	1
34	948-1126-01	KNOB-ASSY	2

ELECTRICAL PARTS LIST

LCD PWB(B1) section

* Neither the part numbers of parts on which software is written, nor part numbers of parts for which replacement is prohibited in the production process are listed in the parts list.

REF NO.	PART NO.	DESCRIPTION	REF NO.	PART NO.	DESCRIPTION	REF NO.	PART NO.	DESCRIPTION
C100	046-1022-58	50V 1000pF	C306	043-0574-90	25V 1.0uF	C800	046-1022-58	50V 1000pF
C102	046-1042-78	0.1uF K B	C307	046-6832-78	0.068uF K B	C801	178-1062-88	10uF
C103	046-2232-78	0.022uF K B	C308	046-4732-78	0.047uF K B	C804	046-1022-58	50V 1000pF
C104	168-2242-58	0.22uF K	C309	AAZ0261	25V 1uF	C805	178-1062-88	10uF
C105	168-2242-58	0.22uF K	C310	043-7702-90	1.0uF	C808	046-1022-58	50V 1000pF
C106	046-1042-78	0.1uF K B	C311	AAZ0293	25V 10uF 10%	C810	045-1011-50	100pFJ CH
C107	043-6401-90	16V 10uF	C312	AAZ0254	50V 0.1uF	C811	045-1011-50	100pFJ CH
C108	AAZ0264	16V 1uF	C313	178-3332-78	0.033uF	C812	045-1011-50	100pFJ CH
C109	168-2242-58	0.22uF K	C314	043-7702-90	1.0uF	C825	AAZ0254	50V 0.1uF
C110	AAZ0264	16V 1uF	C315	043-6401-90	16V 10uF	C831	045-1096-50	1pF 50V
C111	046-1022-58	50V 1000pF	C316	AAZ0241	50V 330pF	C850	043-7701-90	2.2uF
C113	046-1022-58	50V 1000pF	C317	AAZ0293	25V 10uF 10%	C851	043-7701-90	2.2uF
C114	046-1042-78	0.1uF K B	C318	AAZ0253	50V 0.047uF	C852	046-1022-58	50V 1000pF
C118	046-1022-58	50V 1000pF	C319	168-3332-78	0.033uF K	C853	046-1022-58	50V 1000pF
C119	046-1022-58	50V 1000pF	C320	043-6401-90	16V 10uF	C854	046-1022-58	50V 1000pF
C120	045-1011-50	100pFJ CH	C321	043-6401-90	16V 10uF	C855	046-1022-58	50V 1000pF
C122	046-1032-78	0.01uF K B	C327	AAZ0254	50V 0.1uF	C905	166-1201-50	12pF CH
C123	AAZ0264	16V 1uF	C329	AAZ0254	50V 0.1uF	C906	166-1201-50	12pF CH
C125	046-1022-58	50V 1000pF	C334	043-7702-90	1.0uF	C907	166-1201-50	12pF CH
C126	046-1032-78	0.01uF K B	C405	AAZ0293	25V 10uF 10%	C908	166-1201-50	12pF CH
C127	045-1011-50	100pFJ CH	C406	AAZ0254	50V 0.1uF	C1200	043-6401-90	16V 10uF
C128	046-1032-78	0.01uF K B	C408	ADZ0265	35V 47uF	C1400	046-1042-78	0.1uF K B
C129	045-1011-50	100pFJ CH	C411	043-0554-90	25V 10uF	CN700	EBZ0092	OUTLET SOCKET
C130	045-1011-50	100pFJ CH	C412	043-0574-90	25V 1.0uF	D100	001-1326-90	1SS400-TE61
C131	045-1011-50	100pFJ CH	C413	168-1832-55	0.018uF K	D101	001-1326-90	1SS400-TE61
C132	046-1032-78	0.01uF K B	C414	043-0605-90	10V 2.2uF	D102	001-1326-90	1SS400-TE61
C133	046-1022-58	50V 1000pF	C415	166-2211-50	220pF CH	D103	001-1326-90	1SS400-TE61
C134	046-1022-58	50V 1000pF	C416	AAZ0254	50V 0.1uF	D104	001-1326-90	1SS400-TE61
C136	046-1022-58	50V 1000pF	C417	046-1022-58	50V 1000pF	D105	001-1326-90	1SS400-TE61
C137	046-2232-78	0.022uF K B	C419	045-1011-50	100pFJ CH	D115	001-1326-90	1SS400-TE61
C138	046-2232-78	0.022uF K B	C420	168-1032-55	0.01uF K	D300	001-2612-90	RB520S-30
C139	046-1032-78	0.01uF K B	C421	046-1022-58	50V 1000pF	D301	001-2612-90	RB520S-30
C140	046-1032-78	0.01uF K B	C422	043-7700-90	50V 4.7uF	D302	001-2620-90	RB060L-40
C141	046-1022-58	50V 1000pF	C423	ADZ0265	35V 47uF	D303	001-2620-90	RB060L-40
C142	046-1032-78	0.01uF K B	C424	AAZ0254	50V 0.1uF	D304	001-2620-90	RB060L-40
C143	046-1022-58	50V 1000pF	C425	043-7700-90	50V 4.7uF	D307	001-2660-90	RB050L-60DDTE25
C144	046-1022-58	50V 1000pF	C427	043-7700-90	50V 4.7uF	D308	001-2661-80	RB056L-40- TFTE25
C145	046-1022-58	50V 1000pF	C433	043-1640-90	0.01uF	D1401	001-7109-90	SML-311DTT86 ORG
C146	046-1022-58	50V 1000pF	C604	AAZ0254	50V 0.1uF	D1402	001-7109-90	SML-311DTT86 ORG
C147	046-1022-58	50V 1000pF	C605	046-1022-58	50V 1000pF	D1403	001-7109-90	SML-311DTT86 ORG
C156	AAZ0264	16V 1uF	C606	045-2201-50	22pFJ CH	D1406	001-7109-90	SML-311DTT86 ORG
C200	AAZ0254	50V 0.1uF	C607	045-2201-50	22pFJ CH	D1407	001-7109-90	SML-311DTT86 ORG
C201	AAZ0254	50V 0.1uF	C637	AAZ0254	50V 0.1uF	D1408	001-7109-90	SML-311DTT86 ORG
C203	046-1042-78	0.1uF K B	C638	043-0554-90	25V 10uF	D1409	001-7109-90	SML-311DTT86 ORG
C204	043-2300-90	10V 47uF	C716	168-1052-78	16V 1uF K	D1411	001-7109-90	SML-311DTT86 ORG
C205	AAZ0263	16V 0.47uF	C717	046-1032-78	0.01uF K B	D1412	001-7109-90	SML-311DTT86 ORG
C206	046-1032-78	0.01uF K B	C736	045-2211-50	220pFJ CH	D1414	001-7109-90	SML-311DTT86 ORG
C208	043-0577-90	6.3V 1.0uF	C737	045-2211-50	220pFJ CH	D1416	001-7109-90	SML-311DTT86 ORG
C209	046-1032-78	0.01uF K B	C744	043-6401-90	16V 10uF	D1417	001-7109-90	SML-311DTT86 ORG
C210	046-1032-78	0.01uF K B	C745	046-1022-58	50V 1000pF	D1418	001-7109-90	SML-311DTT86 ORG
C211	043-0577-90	6.3V 1.0uF	C754	046-1022-58	50V 1000pF	D1419	001-7109-90	SML-311DTT86 ORG
C212	045-1501-50	15pFJ CH	C777	043-0573-90	10V 22uF	D1420	001-7109-90	SML-311DTT86 ORG
C213	045-8097-50	8pF +/-0.5pF CH	C778	043-0573-90	10V 22uF	D1421	001-7109-90	SML-311DTT86 ORG
C214	045-1011-50	100pFJ CH	C779	043-0573-90	10V 22uF			
C216	045-8097-50	8pF +/-0.5pF CH	C780	043-0573-90	10V 22uF			
C217	045-1011-50	100pFJ CH	C781	046-1022-58	50V 1000pF			
C218	043-0577-90	6.3V 1.0uF	C782	046-1022-58	50V 1000pF			
C219	046-1032-78	0.01uF K B	C784	168-2232-55	0.022uF K			
C220	166-2701-50	27pF CH	C785	043-0574-90	25V 1.0uF			
C221	046-1042-78	0.1uF K B	C786	046-2232-78	0.022uF K B			
C222	046-1042-78	0.1uF K B	C787	046-2232-78	0.022uF K B			
C223	046-1022-58	50V 1000pF	C788	043-0554-90	25V 10uF			
C224	046-1022-58	50V 1000pF	C789	AAZ0279	50V 2200pF			
C225	046-1022-58	50V 1000pF	C790	043-0570-90	16V 2.2uF K			
C227	045-1201-50	12pFJ CH	C792	AAZ0269	10V 2.2uF			
C300	ADZ0265	35V 47uF	C793	043-0574-90	25V 1.0uF			
C301	AAZ0293	25V 10uF 10%	C794	043-0574-90	25V 1.0uF			
C302	043-0574-90	25V 1.0uF	C796	043-0554-90	25V 10uF			
C303	045-1011-50	100pFJ CH	C797	043-0554-90	25V 10uF			
C304	043-0570-90	16V 2.2uF K	C798	043-0574-90	25V 1.0uF			
C305	046-2232-78	0.022uF K B	C799	043-6401-90	16V 10uF			

REF NO.	PART NO.	DESCRIPTION	REF NO.	PART NO.	DESCRIPTION	REF NO.	PART NO.	DESCRIPTION
D1422	001-7109-90	SML-311DTT86 ORG	L405	010-3543-50	CDRH104RNP- 330NC	R131	032-0221-74	1/16W 10k ohm 1%
D1472	001-7109-90	SML-311DTT86 ORG	L600	BMZ0211	BLM18PG121 SN1D	R133	032-0221-74	1/16W 10k ohm 1%
D1476	001-7109-90	SML-311DTT86 ORG	L601	BAZ0431	10uH	R134	032-0221-51	1/16W 4.7k ohm F
D1477	001-7109-90	SML-311DTT86 ORG	L602	BMZ0211	BLM18PG121 SN1D	R135	032-0221-08	1/16W 1k ohm F
D1481	001-7109-90	SML-311DTT86 ORG	L610	BMZ0211	BLM18PG121 SN1D	R136	032-0221-56	1/16W 22k ohm F
D1482	001-7109-90	SML-311DTT86 ORG	L611	BMZ0211	BLM18PG121 SN1D	R137	032-0221-74	1/16W 10k ohm 1%
D1485	001-7109-90	SML-311DTT86 ORG	L612	BMZ0211	BLM18PG121 SN1D	R139	032-0221-74	1/16W 10k ohm 1%
D1486	001-7109-90	SML-311DTT86 ORG	L613	BMZ0211	BLM18PG121 SN1D	R140	032-0221-74	1/16W 10k ohm 1%
D1496	001-7109-90	SML-311DTT86 ORG	L614	BMZ0211	BLM18PG121 SN1D	R142	032-0221-74	1/16W 10k ohm 1%
D1501	001-7109-90	SML-311DTT86 ORG	L800	010-3127-91	220 ohm/100MHz	R143	032-0221-08	1/16W 1k ohm F
D1505	001-7109-90	SML-311DTT86 ORG	L802	010-3127-91	220 ohm/100MHz	R144	032-0221-74	1/16W 10k ohm 1%
ET1201	AVZ0031	PKLCS1212E40A1 -R1	L943	010-3114-90	80 ohm/100MHz	R145	032-0221-51	1/16W 4.7k ohm F
FL200	BMZ0251	BK20104L121-T	L944	010-3114-90	80 ohm/100MHz	R146	032-0221-51	1/16W 4.7k ohm F
FL201	BMZ0251	BK20104L121-T	L945	010-3114-90	80 ohm/100MHz	R147	032-0221-08	1/16W 1k ohm F
FL202	BMZ0251	BK20104L121-T	L946	010-3114-90	80 ohm/100MHz	R149	033-1021-15	1/16W 1k ohm J
FL203	BMZ0251	BK20104L121-T	P101	076-6000-56	6P	R153	032-0221-72	1/16W 470 ohm F
FL204	BMZ0251	BK20104L121-T	Q100	CAZ0331	2SC4081T106R	R154	032-0221-72	1/16W 470 ohm F
FL205	BMZ0251	BK20104L121-T	Q101	125-2046-97	DTC114YUB TL	R158	032-0221-06	1/16W 100k ohm F
IC100	051-7281-38	TC7SH14FUTE85 L,F	Q103	125-9029-90	UMZ1N	R159	032-0221-51	1/16W 4.7k ohm F
IC101	051-7243-18	TC7SET08FU- TE85L,F	Q104	125-0021-98	DTA114YUA-T106	R160	032-0221-51	1/16W 4.7k ohm F
IC102	051-5440-90	R3112Q311A-TR- FA	Q300	192-4081-00	2SC4081	R162	033-2211-15	1/16W 220 ohm J
IC103	-----	uPD78F1822GBA -GAH-G (FLASH MICOM) (Software should be written on production) (035500-052)	Q301	CA11433	2SA1576AT106R	R163	032-0221-74	1/16W 10k ohm 1%
IC200	051-6482-00	BU17102AKV-ME2	Q302	192-4081-00	2SC4081	R164	032-0221-74	1/16W 10k ohm 1%
IC300	-----	OZ528ILN-B1-0-TR (Thermal pad) (394090-051)	Q303	192-4081-00	2SC4081	R165	032-0221-74	1/16W 10k ohm 1%
IC400	-----	BD81A04EFV-M (Thermal pad) (611390-051)	Q304	CA11433	2SA1576AT106R	R193	032-0221-08	1/16W 1k ohm F
IC702	051-3057-90	BA4558RFV	Q305	CA11433	2SA1576AT106R	R194	032-0221-08	1/16W 1k ohm F
IC800	060-8140-90	BT MODULE (UGXZD-G01A)	Q306	CA11433	2SA1576AT106R	R195	033-2211-15	1/16W 220 ohm J
J400	074-2219-58	SOCKET(8P)	Q307	192-4081-00	2SC4081	R198	032-0221-74	1/16W 10k ohm 1%
J601	074-2267-18	68P	Q308	125-2046-97	DTC114YUB TL	R200	033-1021-15	1/16W 1k ohm J
J602	074-2273-65	15P	Q309	CAZ0331	2SC4081T106R	R201	033-0000-05	1/16W 0 ohm
L100	BAZ0431	10uH	Q310	CAZ0331	2SC4081T106R	R202	033-0000-05	1/16W 0 ohm
L101	BMZ0211	BLM18PG121 SN1D	Q311	125-2046-97	DTC114YUB TL	R203	033-0000-05	1/16W 0 ohm
L200	BMZ0211	BLM18PG121 SN1D	Q312	191-1197-50	2SB1197K Q,R	R205	033-0000-05	1/16W 0 ohm
L201	BAZ0571	22uH	Q313	192-4081-00	2SC4081	R207	032-0221-61	1/16W 6.8k ohm F
L202	BMZ0211	BLM18PG121 SN1D	Q314	193-1781-50	2SD1781KT146- QR	R208	032-0221-63	1/16W 12k ohm F
L203	010-3103-72	600 ohm	Q315	125-2046-97	DTC114YUB TL	R210	033-0000-05	1/16W 0 ohm
L300	010-3514-90	15uH M	Q316	125-8032-90	RVQ040N05 TR	R211	033-0000-05	1/16W 0 ohm
L301	010-3058-57	47uH	Q417	CAZ0331	2SC4081T106R	R212	032-0221-99	1/16W 100 ohm 1%
L302	010-3058-57	47uH	Q418	CAZ0331	2SC4081T106R	R213	032-0221-01	1/16W 47 ohm F
L303	010-3058-57	47uH	Q419	125-2046-91	DTC114EUBTL	R214	032-0221-01	1/16W 47 ohm F
L400	BAZ0382	15uH	Q1200	CAZ0451	2SC4155A-T111-1R	R215	032-0221-99	1/16W 100 ohm 1%
L402	010-3111-92	120 ohm/100MHz	R100	032-0210-74	1/10W 470 ohm F	R217	032-0221-99	1/16W 100 ohm 1%
L403	010-3111-92	120 ohm/100MHz	R101	032-0221-51	1/16W 4.7k ohm F	R218	032-0221-99	1/16W 100 ohm 1%
L404	010-3111-92	120 ohm/100MHz	R102	032-0221-51	1/16W 4.7k ohm F	R219	032-0210-85	1/10W 150 ohm F
			R103	032-0221-51	1/16W 4.7k ohm F	R226	033-0000-05	1/16W 0 ohm
			R104	032-0221-51	1/16W 4.7k ohm F	R227	033-2211-15	1/16W 220 ohm J
			R105	032-0221-08	1/16W 1k ohm F	R228	033-2211-15	1/16W 220 ohm J
			R106	032-0210-80	1/10W 270 ohm F	R300	032-0221-51	1/16W 4.7k ohm F
			R107	032-0140-62	1/10W 1k ohm F	R301	033-1031-15	1/16W 10k ohm J
			R108	032-0221-65	1/16W 68k ohm F	R302	033-1031-15	1/16W 10k ohm J
			R110	032-0221-74	1/16W 10k ohm 1%	R303	119-2711-15	1/10W 270 ohm
			R111	032-0221-74	1/16W 10k ohm 1%	R304	033-0000-05	1/16W 0 ohm
			R112	032-0221-74	1/16W 10k ohm 1%	R305	119-0000-05	1/10W 0 ohm JW
			R113	032-0221-74	1/16W 10k ohm 1%	R306	032-0221-75	1/16W 47k ohm F
			R114	032-0221-11	1/16W 5.6k ohm F	R307	032-0210-92	1/10W 560 ohm F
			R116	032-0221-74	1/16W 10k ohm 1%	R308	032-0221-51	1/16W 4.7k ohm F
			R118	032-0221-08	1/16W 1k ohm F	R309	032-0221-59	1/16W 220 ohm F
			R119	032-0221-06	1/16W 100k ohm F	R310	032-0221-76	1/16W 24k ohm F
			R120	032-0221-08	1/16W 1k ohm F	R311	032-0221-59	1/16W 220 ohm F
			R122	033-0000-05	1/16W 0 ohm	R313	032-0140-02	1/10W 6.2k ohm F
			R125	032-0221-51	1/16W 4.7k ohm F	R314	032-0210-90	1/10W 100k ohm F
			R126	032-0221-81	1/16W 2k ohm F	R315	119-0000-05	1/10W 0 ohm JW
			R127	032-0221-72	1/16W 470 ohm F	R316	032-0210-82	1/10W 18k ohm F
			R128	032-0221-08	1/16W 1k ohm F	R317	032-0210-01	1/10W 39k ohm F
			R129	032-0221-74	1/16W 10k ohm 1%	R318	033-0000-05	1/16W 0 ohm
						R319	032-0140-93	1/10W 2k ohm F
						R320	032-0210-59	1/10W 5.6k ohm F
						R321	032-0140-90	1/10W 560 ohm F
						R322	032-0210-70	1/10W 680 ohm 1%
						R323	119-0000-05	1/10W 0 ohm JW
						R324	032-0210-64	1/10W 1k ohm F
						R325	032-0210-88	1/10W 5.1k ohm F
						R326	032-0210-88	1/10W 5.1k ohm F
						R327	032-0140-06	1/10W 100 ohm F

REF NO.	PART NO.	DESCRIPTION	REF NO.	PART NO.	DESCRIPTION	REF NO.	PART NO.	DESCRIPTION
R328	032-0210-82	1/10W 18k ohm F	R459	032-0221-56	1/16W 22k ohm F	R845	119-0000-05	1/10W 0 ohm JW
R329	032-0140-93	1/10W 2k ohm F	R462	033-0000-05	1/16W 0 ohm	R846	119-0000-05	1/10W 0 ohm JW
R330	119-0000-05	1/10W 0 ohm JW	R463	032-0246-51	1/2W 0.12 ohm F	R847	AQZ0484	1/10W 15 ohm 1%
R331	119-0000-05	1/10W 0 ohm JW	R464	033-2231-15	1/16W 22k ohm J	R848	032-0221-08	1/16W 1k ohm F
R332	032-0210-83	1/10W 3.9k ohm 1%	R465	033-2231-15	1/16W 22k ohm J	R850	033-0000-05	1/16W 0 ohm
R333	032-0140-06	1/10W 100 ohm F	R466	033-2231-15	1/16W 22k ohm J	R853	119-0000-05	1/10W 0 ohm JW
R334	033-3321-15	1/16W 3.3k ohm J	R468	032-0249-52	1/2W 270 ohm J	R855	033-0000-05	1/16W 0 ohm
R335	032-0221-56	1/16W 22k ohm F	R469	032-0221-64	1/16W 39k ohm F	R856	033-1021-15	1/16W 1k ohm J
R336	032-0221-56	1/16W 22k ohm F	R470	032-0221-76	1/16W 24k ohm F	R858	033-0000-05	1/16W 0 ohm
R337	032-0221-56	1/16W 22k ohm F	R471	119-0000-05	1/10W 0 ohm JW	R859	033-0000-05	1/16W 0 ohm
R338	032-0221-56	1/16W 22k ohm F	R472	119-0000-05	1/10W 0 ohm JW	R861	033-0000-05	1/16W 0 ohm
R339	032-0221-56	1/16W 22k ohm F	R473	119-0000-05	1/10W 0 ohm JW	R862	119-0000-05	1/10W 0 ohm JW
R340	032-0221-56	1/16W 22k ohm F	R474	119-0000-05	1/10W 0 ohm JW	R864	119-0000-05	1/10W 0 ohm JW
R341	032-0221-56	1/16W 22k ohm F	R601	119-0000-05	1/10W 0 ohm JW	R865	119-0000-05	1/10W 0 ohm JW
R342	032-0221-56	1/16W 22k ohm F	R602	119-0000-05	1/10W 0 ohm JW	R870	033-0000-05	1/16W 0 ohm
R343	032-0221-56	1/16W 22k ohm F	R603	032-0221-72	1/16W 470 ohm F	R871	032-0210-45	1/10W 18 ohm F
R344	033-0000-05	1/16W 0 ohm	R607	119-0000-05	1/10W 0 ohm JW	R872	AQZ0489	1/10W 39 ohm 1%
R345	032-0210-56	1/10W 22k ohm F	R608	119-0000-05	1/10W 0 ohm JW	R873	032-0210-31	1/10W 180 ohm F
R346	032-0221-09	1/16W 33k ohm F	R610	119-0000-05	1/10W 0 ohm JW	R874	119-0000-05	1/10W 0 ohm JW
R347	032-0221-73	1/16W 2.2k ohm 1%	R611	119-0000-05	1/10W 0 ohm JW	R875	032-0210-15	1/10W 33 ohm F
R356	032-0210-17	1/10W 6.8k ohm F	R612	119-0000-05	1/10W 0 ohm JW	R876	AQZ0491	1/10W 47 ohm 1%
R358	117-3311-15	1/8W 330 ohm	R613	119-0000-05	1/10W 0 ohm JW	R877	032-0210-15	1/10W 33 ohm F
R359	032-0221-06	1/16W 100k ohm F	R700	119-0000-05	1/10W 0 ohm JW	R878	032-0210-15	1/10W 33 ohm F
R360	032-0210-57	1/10W 4.7k ohm F	R754	032-0221-72	1/16W 470 ohm F	R879	032-0140-06	1/10W 100 ohm F
R361	032-0210-57	1/10W 4.7k ohm F	R774	119-0000-05	1/10W 0 ohm JW	R880	032-0210-03	1/10W 10 ohm F
R362	032-0210-69	1/10W 3.3k ohm 1%	R775	119-0000-05	1/10W 0 ohm JW	R881	032-0140-06	1/10W 100 ohm F
R363	032-0210-57	1/10W 4.7k ohm F	R776	033-0000-05	1/16W 0 ohm	R882	033-0000-05	1/16W 0 ohm
R364	032-0210-69	1/10W 3.3k ohm 1%	R777	033-0000-05	1/16W 0 ohm	R955	033-0000-05	1/16W 0 ohm
R365	117-1021-15	1/8W 1k ohm	R778	033-0000-05	1/16W 0 ohm	R959	033-0000-05	1/16W 0 ohm
R369	119-0000-05	1/10W 0 ohm JW	R779	033-0000-05	1/16W 0 ohm	R1200	116-2211-15	1/4W 220 ohm
R370	119-0000-05	1/10W 0 ohm JW	R780	119-0000-05	1/10W 0 ohm JW	R1201	116-1021-15	1/4W 1k ohm
R372	117-0000-05	1/8W 0 ohm JW	R781	119-0000-05	1/10W 0 ohm JW	R1202	032-0221-08	1/16W 1k ohm F
R373	117-1021-15	1/8W 1k ohm	R784	032-0215-72	1/10W 16k ohm F	R1203	032-0221-75	1/16W 47k ohm F
R374	116-6201-15	1/4W 62 ohm	R785	032-0221-56	1/16W 22k ohm F	R1400	033-1021-15	1/16W 1k ohm J
R375	116-6201-15	1/4W 62 ohm	R787	032-0221-84	1/16W 27k ohm F	R1407	116-3921-15	1/4W 3.9k ohm
R376	119-5621-15	1/10W 5.6k ohm	R788	032-0221-56	1/16W 22k ohm F	R1409	116-2721-15	1/4W 2.7k ohm
R377	032-0249-52	1/2W 270 ohm J	R789	032-0221-84	1/16W 27k ohm F	R1415	116-1821-15	1/4W 1.8k ohm
R378	032-0249-52	1/2W 270 ohm J	R790	032-0210-72	1/10W 1.8k ohm 1%	R1417	116-2721-15	1/4W 2.7k ohm
R379	032-0249-52	1/2W 270 ohm J	R791	032-0221-56	1/16W 22k ohm F	R1423	116-3921-15	1/4W 3.9k ohm
R380	032-0249-52	1/2W 270 ohm J	R792	032-0210-08	1/10W 100 ohm F	R1425	116-3921-15	1/4W 3.9k ohm
R381	032-0249-52	1/2W 270 ohm J	R797	032-0210-38	1/10W 110 ohm F	R1427	033-0000-05	1/16W 0 ohm
R382	119-4721-15	1/10W 4.7k ohm	R798	119-0000-05	1/10W 0 ohm JW	R1430	116-3921-15	1/4W 3.9k ohm
R383	032-0221-56	1/16W 22k ohm F	R800	119-0000-05	1/10W 0 ohm JW	R1431	033-0000-05	1/16W 0 ohm
R384	119-8221-15	1/10W 8.2k ohm	R807	033-1011-15	1/16W 100 ohm J	R1434	116-2721-15	1/4W 2.7k ohm
R385	032-0221-56	1/16W 22k ohm F	R808	033-1011-15	1/16W 100 ohm J	R1435	033-0000-05	1/16W 0 ohm
R386	032-0221-56	1/16W 22k ohm F	R809	033-1031-15	1/16W 10k ohm J	R1447	033-0000-05	1/16W 0 ohm
R436	033-0000-05	1/16W 0 ohm	R811	033-1031-15	1/16W 10k ohm J	R1459	033-0000-05	1/16W 0 ohm
R437	032-0246-51	1/2W 0.12 ohm F	R812	033-1011-15	1/16W 100 ohm J	R1496	033-0000-05	1/16W 0 ohm
R438	032-0246-51	1/2W 0.12 ohm F	R813	033-1011-15	1/16W 100 ohm J	R1498	116-3921-15	1/4W 3.9k ohm
R439	033-2231-15	1/16W 22k ohm J	R815	033-1011-15	1/16W 100 ohm J	R1501	033-0000-05	1/16W 0 ohm
R440	033-0000-05	1/16W 0 ohm	R816	033-1011-15	1/16W 100 ohm J	R1505	116-3921-15	1/4W 3.9k ohm
R441	119-4791-15	1/10W 4.7 ohm	R817	033-1011-15	1/16W 100 ohm J	R1507	033-0000-05	1/16W 0 ohm
R442	033-1031-15	1/16W 10k ohm J	R818	033-1011-15	1/16W 100 ohm J	R1511	033-0000-05	1/16W 0 ohm
R443	033-2231-15	1/16W 22k ohm J	R819	033-1011-15	1/16W 100 ohm J	R1519	033-0000-05	1/16W 0 ohm
R444	033-2231-15	1/16W 22k ohm J	R821	033-1011-15	1/16W 100 ohm J	R1522	033-0000-05	1/16W 0 ohm
R445	032-0221-29	1/16W 5.1k ohm 1%	R822	033-1011-15	1/16W 100 ohm J	R1523	033-0000-05	1/16W 0 ohm
R446	032-0221-10	1/16W 15k ohm F	R826	119-0000-05	1/10W 0 ohm JW	R1529	117-3321-15	1/8W 3.3k ohm
R447	116-2201-15	1/4W 22 ohm	R827	119-0000-05	1/10W 0 ohm JW	R1530	117-2721-15	1/8W 2.7k ohm
R448	032-0221-59	1/16W 220 ohm F	R828	119-0000-05	1/10W 0 ohm JW	R1531	117-2721-15	1/8W 2.7k ohm
R449	032-0221-07	1/16W 56k ohm F	R829	119-0000-05	1/10W 0 ohm JW	R1532	117-3321-15	1/8W 3.3k ohm
R450	032-0221-59	1/16W 220 ohm F	R832	119-0000-05	1/10W 0 ohm JW	R1533	117-2721-15	1/8W 2.7k ohm
R451	033-2031-15	1/16W 20k ohm J	R833	AQZ0489	1/10W 39 ohm 1%	R1534	117-3321-15	1/8W 3.3k ohm
R452	033-2231-15	1/16W 22k ohm J	R834	032-0210-36	1/10W 22 ohm F	R1535	116-2721-15	1/4W 2.7k ohm
R453	032-0221-51	1/16W 4.7k ohm F	R835	032-0210-31	1/10W 180 ohm F	R1536	116-3321-15	1/4W 3.3k ohm
R454	032-0221-62	1/16W 8.2k ohm F	R836	119-0000-05	1/10W 0 ohm JW	R1537	116-3921-15	1/4W 3.9k ohm
R455	032-0221-56	1/16W 22k ohm F	R837	032-0210-37	1/10W 27 ohm F	R1538	116-3321-15	1/4W 3.3k ohm
R456	033-0000-05	1/16W 0 ohm	R838	119-0000-05	1/10W 0 ohm JW	R1539	116-2721-15	1/4W 2.7k ohm
R457	032-0221-52	1/16W 1.8k ohm F	R839	032-0210-25	1/10W 68 ohm F	R1540	116-2721-15	1/4W 2.7k ohm
R458	032-0221-06	1/16W 100k ohm F	R840	119-0000-05	1/10W 0 ohm JW	R1541	116-3021-15	1/4W 3k ohm
			R841	032-0210-26	1/10W 82 ohm F	R1542	116-3021-15	1/4W 3k ohm
			R842	032-0210-68	1/10W 220 ohm F	R1543	116-3921-15	1/4W 3.9k ohm
			R843	119-0000-05	1/10W 0 ohm JW	R1545	116-2721-15	1/4W 2.7k ohm
			R844	032-0210-45	1/10W 18 ohm F	R1546	116-2721-15	1/4W 2.7k ohm
						R1547	116-3921-15	1/4W 3.9k ohm

REF NO.	PART NO.	DESCRIPTION	REF NO.	PART NO.	DESCRIPTION	REF NO.	PART NO.	DESCRIPTION
R1548	116-1521-15	1/4W 1.5k ohm	RN207	050-0156-67	1/16W 220 ohm x4	ZD103	001-4305-20	UDZSTE-17 5.6B
R1549	116-3921-15	1/4W 3.9k ohm	RN208	050-0156-67	1/16W 220 ohm x4	ZD104	001-4305-20	UDZSTE-17 5.6B
R1550	116-2721-15	1/4W 2.7k ohm	SW901	013-6202-52	SKPMBJE010	ZD105	001-4305-20	UDZSTE-17 5.6B
R1552	116-1821-15	1/4W 1.8k ohm	SW902	013-6202-52	SKPMBJE010	ZD106	001-4305-20	UDZSTE-17 5.6B
R1554	116-2721-15	1/4W 2.7k ohm	SW903	013-6202-52	SKPMBJE010	ZD107	001-4305-20	UDZSTE-17 5.6B
R1555	116-1521-15	1/4W 1.5k ohm	SW904	013-6202-52	SKPMBJE010	ZD108	001-4305-20	UDZSTE-17 5.6B
R1556	116-2721-15	1/4W 2.7k ohm	SW905	013-6202-52	SKPMBJE010	ZD109	001-4305-20	UDZSTE-17 5.6B
R1557	116-2721-15	1/4W 2.7k ohm	SW906	013-6202-52	SKPMBJE010	ZD110	001-4305-20	UDZSTE-17 5.6B
R1558	116-2721-15	1/4W 2.7k ohm	SW907	013-6202-52	SKPMBJE010	ZD111	001-4305-20	UDZSTE-17 5.6B
R1559	116-3021-15	1/4W 3k ohm	SW908	013-6202-52	SKPMBJE010	ZD112	001-4305-20	UDZSTE-17 5.6B
R1560	116-3921-15	1/4W 3.9k ohm	SW911	013-6202-52	SKPMBJE010	ZD113	001-4305-20	UDZSTE-17 5.6B
RN100	050-0156-67	1/16W 220 ohm x4	SW912	016-7006-00	ROTARY SW	ZD300	001-4305-27	UDZSTE-17 11B
RN101	050-0156-67	1/16W 220 ohm x4	SW913	013-6201-53	SKPMAPE010	ZD901	001-4305-20	UDZSTE-17 5.6B
RN103	050-0156-67	1/16W 220 ohm x4	SW914	013-6201-53	SKPMAPE010	ZD902	001-4305-20	UDZSTE-17 5.6B
RN105	050-0156-57	1/16W 10k ohm x4	SW915	016-7006-00	ROTARY SW	ZD903	001-4305-20	UDZSTE-17 5.6B
RN108	050-0156-53	1/16W 0 ohm x4	X100	060-1542-90	16MHz	ZD904	001-4305-20	UDZSTE-17 5.6B
RN109	050-0156-53	1/16W 0 ohm x4	ZD100	001-4305-20	UDZSTE-17 5.6B	ZD1400	001-4305-20	UDZSTE-17 5.6B
RN200	050-0156-67	1/16W 220 ohm x4	ZD101	001-4305-20	UDZSTE-17 5.6B	PWB	039-4503-00	PWB(WITHOUT COMPONENTS)
RN202	050-0156-67	1/16W 220 ohm x4	ZD102	001-4305-20	UDZSTE-17 5.6B			

AUDIO PWB(B2) section

REF NO.	PART NO.	DESCRIPTION	REF NO.	PART NO.	DESCRIPTION	REF NO.	PART NO.	DESCRIPTION
C103	042-1732-90	6.3V 220uF	C306	166-1201-50	12pF CH	C580	046-1042-78	0.1uF K B
C110	045-1011-50	100pFJ CH	C307	045-2201-50	22pFJ CH	C581	166-2201-50	22pF CH
C111	046-1032-78	0.01uF K B	C308	046-1022-58	50V 1000pF	C582	165-3363-25	10V 33uF
C113	043-0603-90	16V 10uF	C309	046-1022-58	50V 1000pF	C583	165-3363-25	10V 33uF
C115	046-1042-78	0.1uF K B	C310	045-3901-50	39pFJ CH	C601	046-1042-78	0.1uF K B
C116	046-1042-78	0.1uF K B	C311	045-1211-50	120pFJ CH	C602	046-1042-78	0.1uF K B
C118	046-1042-78	0.1uF K B	C312	045-1501-50	15pFJ CH	C605	046-1042-78	0.1uF K B
C119	046-1042-78	0.1uF K B	C313	045-2211-50	220pFJ CH	C722	043-0570-90	16V 2.2uF K
C120	046-1042-78	0.1uF K B	C314	045-1211-50	120pFJ CH	C723	043-0570-90	16V 2.2uF K
C121	046-1042-78	0.1uF K B	C315	046-3922-58	3900pF K B	C724	045-1011-50	100pFJ CH
C126	168-4752-98	4.7uF K	C316	046-1022-58	50V 1000pF	C725	045-2201-50	22pFJ CH
C127	045-1201-50	12pFJ CH	C317	046-1022-58	50V 1000pF	C726	045-2201-50	22pFJ CH
C128	045-1201-50	12pFJ CH	C318	046-1032-78	0.01uF K B	C727	045-1011-50	100pFJ CH
C204	046-1042-78	0.1uF K B	C319	046-1032-78	0.01uF K B	C728	046-1022-58	50V 1000pF
C205	168-4752-98	4.7uF K	C322	046-3322-58	3300pF K B	C729	046-1042-78	0.1uF K B
C206	168-4752-98	4.7uF K	C323	046-3322-58	3300pF K B	C730	046-1042-78	0.1uF K B
C207	046-1042-78	0.1uF K B	C324	046-2232-78	0.022uF K B	C731	042-1753-90	16V 100uF M
C208	046-1042-78	0.1uF K B	C325	046-2232-78	0.022uF K B	C732	042-4015-94	16V 47uF
C209	046-1042-78	0.1uF K B	C326	046-1022-58	50V 1000pF	C733	046-1042-78	0.1uF K B
C210	046-1042-78	0.1uF K B	C327	046-2232-78	0.022uF K B	C738	045-1011-50	100pFJ CH
C211	046-1042-78	0.1uF K B	C328	046-1022-58	50V 1000pF	C739	045-1011-50	100pFJ CH
C212	045-8097-50	8pF +/-0.5pF CH	C329	046-2232-78	0.022uF K B	C801	042-4441-10	25V 4700uF
C213	045-1007-50	10 +/-0.5pF CH	C330	046-2232-78	0.022uF K B	C802	043-5600-90	0.10uF
C214	046-1042-78	0.1uF K B	C331	046-2232-78	0.022uF K B	C803	043-0574-90	25V 1.0uF
C216	168-4752-98	4.7uF K	C332	046-2232-78	0.022uF K B	C804	043-0603-90	16V 10uF
C218	046-1042-78	0.1uF K B	C333	046-2232-78	0.022uF K B	C805	043-0570-90	16V 2.2uF K
C219	165-1073-35	16V 100uF	C334	046-2232-78	0.022uF K B	C809	043-0603-90	16V 10uF
C220	046-1042-78	0.1uF K B	C335	046-2232-78	0.022uF K B	C810	043-5600-90	0.10uF
C221	168-4752-98	4.7uF K	C336	043-0562-90	10V 0.22uF	C813	166-1021-50	1000pF CH
C222	046-1042-78	0.1uF K B	C337	046-2232-78	0.022uF K B	C814	166-1021-50	1000pF CH
C223	046-1042-78	0.1uF K B	C338	043-0562-90	10V 0.22uF	C815	166-1011-50	100pF CH
C225	046-1042-78	0.1uF K B	C339	046-2232-78	0.022uF K B	C816	043-0554-90	25V 10uF
C226	046-1042-78	0.1uF K B	C340	043-0563-90	16V 47uF	C817	178-2232-55	0.022uF
C227	046-1042-78	0.1uF K B	C341	043-0563-90	16V 47uF	C818	166-1021-50	1000pF CH
C228	043-0559-90	6.3V 22uF	C342	045-1007-50	10 +/-0.5pF CH	C819	043-5600-90	0.10uF
C229	168-1052-78	16V 1uF K	C359	045-4796-50	4.7pFJ CH	C820	043-0603-90	16V 10uF
C230	046-1042-78	0.1uF K B	C361	046-1042-78	0.1uF K B	C823	046-1042-78	0.1uF K B
C231	168-1052-78	16V 1uF K	C362	166-1201-50	12pF CH	C824	046-1042-78	0.1uF K B
C232	043-0552-90	6.3V 47uF M	C363	046-1022-58	50V 1000pF	C825	043-6400-90	16V 4.7uF K
C233	046-1042-78	0.1uF K B	C364	045-3901-50	39pFJ CH	C826	046-1022-58	50V 1000pF
C234	046-1042-78	0.1uF K B	C365	046-1042-78	0.1uF K B	C827	043-7503-90	4.7uF
C235	046-1042-78	0.1uF K B	C402	046-1042-78	0.1uF K B	C828	168-1042-78	16V 0.1uF K
C237	045-2201-50	22pFJ CH	C403	046-1042-78	0.1uF K B	C829	043-0554-90	25V 10uF
C238	046-1042-78	0.1uF K B	C406	046-1042-78	0.1uF K B	C830	042-4015-94	16V 47uF
C239	046-1042-78	0.1uF K B	C407	043-0603-90	16V 10uF	C831	043-7702-90	1.0uF
C240	046-1042-78	0.1uF K B	C430	165-4763-35	16V 47uF	C832	046-1022-58	50V 1000pF
C241	045-4711-50	470pFJ CH	C431	042-4015-94	16V 47uF	C833	043-7503-90	4.7uF
C242	046-1042-78	0.1uF K B	C438	165-1073-35	16V 100uF	C834	168-1042-78	16V 0.1uF K
C243	046-3322-58	3300pF K B	C440	043-0570-90	16V 2.2uF K	C835	043-0554-90	25V 10uF
C244	046-3322-58	3300pF K B	C441	043-0570-90	16V 2.2uF K	C836	042-4015-94	16V 47uF
C245	042-1732-90	6.3V 220uF	C442	168-1052-78	16V 1uF K	C837	046-3322-58	3300pF K B
C246	046-3322-58	3300pF K B	C443	168-1052-78	16V 1uF K	C838	045-2211-50	220pFJ CH
C247	046-3322-58	3300pF K B	C447	043-0570-90	16V 2.2uF K	C839	046-1032-78	0.01uF K B
C248	046-1042-78	0.1uF K B	C448	043-0570-90	16V 2.2uF K	C840	046-2222-58	2200pF K B
C249	046-3322-58	3300pF K B	C541	046-1042-78	0.1uF K B	C841	045-2211-50	220pFJ CH
C250	046-3322-58	3300pF K B	C542	046-1042-78	0.1uF K B	C842	046-1032-78	0.01uF K B
C251	043-0603-90	16V 10uF	C545	046-5612-58	560pF K B	C845	042-0643-54	25V 470uF
C252	043-0603-90	16V 10uF	C547	046-5612-58	560pF K B	C846	043-7503-90	4.7uF
C254	046-1042-78	0.1uF K B	C549	046-5612-58	560pF K B	C847	043-7503-90	4.7uF
C255	045-2201-50	22pFJ CH	C550	046-5612-58	560pF K B	C848	046-1042-78	0.1uF K B
C256	046-1042-78	0.1uF K B	C557	043-0570-90	16V 2.2uF K	C871	165-1063-55	35V 10uF
C262	046-1042-78	0.1uF K B	C558	043-0570-90	16V 2.2uF K	C872	165-1063-55	35V 10uF
C263	046-1022-58	50V 1000pF	C559	045-2201-50	22pFJ CH	C874	043-5600-90	0.10uF
C264	046-1522-58	1500pF K B	C560	045-2201-50	22pFJ CH	C875	165-1063-55	35V 10uF
C265	046-1522-58	1500pF K B	C561	045-2201-50	22pFJ CH	C876	043-0554-90	25V 10uF
C266	046-1522-58	1500pF K B	C562	045-2201-50	22pFJ CH	C881	043-0554-90	25V 10uF
C267	046-1522-58	1500pF K B	C569	165-3363-25	10V 33uF	C882	043-0554-90	25V 10uF
C269	043-0603-90	16V 10uF	C570	165-3363-25	10V 33uF	C883	043-0554-90	25V 10uF
C271	043-0603-90	16V 10uF	C571	165-3363-25	10V 33uF	C885	168-1832-55	0.018uF K
C283	043-0603-90	16V 10uF	C572	165-3363-25	10V 33uF	C886	168-1832-55	0.018uF K
C302	046-1042-78	0.1uF K B	C577	166-2201-50	22pF CH	C887	168-1832-55	0.018uF K
C303	046-1042-78	0.1uF K B	C578	046-1042-78	0.1uF K B	C888	168-1832-55	0.018uF K
C305	168-2222-55	2200pF K	C579	046-1042-78	0.1uF K B	C890	168-1832-55	0.018uF K

REF NO.	PART NO.	DESCRIPTION	REF NO.	PART NO.	DESCRIPTION	REF NO.	PART NO.	DESCRIPTION
C892	168-1832-55	0.018uF K	J602	074-3062-50	50P	R139	032-0221-99	1/16W 100 ohm 1%
C916	176-2221-50	2200pF CH	J801	074-4086-20	OUTLET SOCKET	R140	032-0221-06	1/16W 100k ohm F
D101	001-2630-90	1SS420-TPL3,F	L101	010-2279-50	4.7uH	R141	119-5611-15	1/10W 560 ohm
D301	001-9013-90	BA891	L201	010-3104-54	600 ohm/100MHz	R142	119-1031-15	1/10W 10k ohm
D302	001-9013-90	BA891	L202	010-3104-54	600 ohm/100MHz	R143	033-4731-15	1/16W 47k ohm J
D303	001-9013-90	BA891	L203	010-3104-54	600 ohm/100MHz	R149	033-0000-05	1/16W 0 ohm
D304	001-9013-90	BA891	L204	010-3104-54	600 ohm/100MHz	R154	033-0000-05	1/16W 0 ohm
D801	001-2629-90	D1FM3-5063	L205	010-3104-54	600 ohm/100MHz	R156	033-1041-15	1/16W 100k ohm J
D802	001-1325-90	1SS387	L206	010-3104-54	600 ohm/100MHz	R157	033-1031-15	1/16W 10k ohm J
D804	001-2633-90	1SS388-TPL3,F	L207	010-3104-54	600 ohm/100MHz	R158	033-1041-15	1/16W 100k ohm J
D805	001-2633-90	1SS388-TPL3,F	L208	010-3104-54	600 ohm/100MHz	R159	033-4721-15	1/16W 4.7k ohm J
D807	001-2412-90	RR264M-400	L209	010-3104-54	600 ohm/100MHz	R160	033-4731-15	1/16W 47k ohm J
ET809	073-0787-90	TERMINAL	L210	010-3104-54	600 ohm/100MHz	R161	033-1011-15	1/16W 100 ohm J
FE701	941-0239-80	TUNER PACK	L211	010-3104-54	600 ohm/100MHz	R162	033-3331-15	1/16W 33k ohm J
IC101	052-0329-20	UPD70F3333GC (A)-UEU-AX	L212	010-3104-54	600 ohm/100MHz	R163	033-0000-05	1/16W 0 ohm
IC102	051-5440-80	S-1009N311-N4T1U	L213	010-3104-54	600 ohm/100MHz	R164	032-0221-61	1/16W 6.8k ohm F
IC103	051-5486-90	PST852A440UM	L214	010-3104-54	600 ohm/100MHz	R165	033-1041-15	1/16W 100k ohm J
IC104	051-5486-90	PST852A440UM	L215	010-3104-54	600 ohm/100MHz	R166	033-1041-15	1/16W 100k ohm J
IC107	051-7281-60	MC74VHC1G14 DFT2G	L216	010-3104-54	600 ohm/100MHz	R167	033-4731-15	1/16W 47k ohm J
IC108	051-7202-90	MC74VHC1G32 DFT2G	L217	010-3104-54	600 ohm/100MHz	R169	033-1021-15	1/16W 1k ohm J
IC109	051-7202-90	MC74VHC1G32 DFT2G	L218	010-3104-54	600 ohm/100MHz	R173	032-0221-74	1/16W 10k ohm 1%
IC110	051-7222-60	MC74VHC1G08 DFT2G	L219	010-3104-54	600 ohm/100MHz	R176	032-0221-74	1/16W 10k ohm 1%
IC201	-----	SAF7741HV/N127 (DSP) (Thermal pad) (674710-051)	L220	010-3104-54	600 ohm/100MHz	R179	033-1031-15	1/16W 10k ohm J
IC202	051-7106-90	CD4052B-PWR	L221	010-3104-54	600 ohm/100MHz	R180	033-1031-15	1/16W 10k ohm J
IC203	-----	BD00C0AWFP (Voltage regulator) (Thermal pad) (358290-051)	L222	010-3105-70	240ohm/100MHz	R181	033-1011-15	1/16W 100 ohm J
IC301	-----	TEF7000(Tuner) (Thermal pad) (402590-051)	L302	010-3062-54	290nH	R182	033-0000-05	1/16W 0 ohm
IC302	-----	TEF7000(Tuner) (Thermal pad) (402590-051)	L303	010-3406-56	3.3uH J	R183	033-4701-15	1/16W 47 ohm J
IC401	051-3020-90	NJM4565V	L304	010-3062-56	0.5uH	R184	033-1041-15	1/16W 100k ohm J
IC406	051-6945-90	NCP380HSNAJAA T1G	L305	010-3439-51	1.8uH	R185	033-4731-15	1/16W 47k ohm J
IC407	051-3737-97	BU15TD3WG-TR	L306	010-3062-53	0.215uH	R186	033-3331-15	1/16W 33k ohm J
IC411	051-3737-97	BU15TD3WG-TR	L307	010-3104-54	600 ohm/100MHz	R187	033-3331-15	1/16W 33k ohm J
IC506	051-3019-90	NJM2060V	L308	010-3104-54	600 ohm/100MHz	R190	033-4731-15	1/16W 47k ohm J
IC507	051-3019-90	NJM2060V	L309	010-2290-52	330uH	R193	033-4731-15	1/16W 47k ohm J
IC509	051-1407-90	NJM4556AM	L310	010-2290-52	330uH	R194	033-1041-15	1/16W 100k ohm J
IC601	051-7202-90	MC74VHC1G32 DFT2G	L311	010-3062-54	290nH	R197	033-4731-15	1/16W 47k ohm J
IC602	051-7222-60	MC74VHC1G08 DFT2G	L704	010-3104-54	600 ohm/100MHz	R198	033-1011-15	1/16W 100 ohm J
IC604	051-7244-90	TC7WZ125FK- TE85L	L801	010-8049-00	145uH	R199	033-1011-15	1/16W 100 ohm J
IC702	051-3763-90	BD00IA5EEFJ-ME2	L803	010-3104-54	600 ohm/100MHz	R201	033-0000-05	1/16W 0 ohm
IC801	-----	NJM2886DL3-05 -TE1 (Voltage regulator) (Thermal pad) (336890-051)	L806	010-3559-50	3.3uH	R202	033-0000-05	1/16W 0 ohm
IC802	051-3711-70	S-1142D35H- E6T2U	L807	010-3560-50	2.7uH	R203	033-1031-15	1/16W 10k ohm J
IC803	-----	BD00C0AWFP (Voltage regulator) (Thermal pad) (358290-051)	L808	010-3104-54	600 ohm/100MHz	R204	033-1011-15	1/16W 100 ohm J
IC804	051-3608-80	LTC3850IGN-1 #TRPBF	NF101	060-3124-90	NFM18PS105R0J3 1uF	R205	033-1031-15	1/16W 10k ohm J
IC806	051-3741-90	NJW4184U2-15A (TE2)	NF701	060-3117-51	CKD510JB1E223 ST	R206	033-1031-15	1/16W 10k ohm J
J401	074-2248-40	SOCKET(40P)	P301	092-2210-00	ANTENNA RECEPT	R207	032-0221-06	1/16W 100k ohm F
J601	074-2248-80	80P	P601	076-6021-60	10P	R208	032-0210-36	1/10W 22 ohm F
			Q101	192-4116-51	2SC4116 G,L	R209	032-0221-06	1/16W 100k ohm F
			Q102	125-2027-95	DTC143ZUA	R210	033-1011-15	1/16W 100 ohm J
			Q201	125-7007-90	SI5441BDC-TI-E3	R211	033-1011-15	1/16W 100 ohm J
			Q202	125-2027-95	DTC143ZUA	R212	033-1011-15	1/16W 100 ohm J
			Q602	125-2027-95	DTC143ZUA	R213	033-1031-15	1/16W 10k ohm J
			Q801	125-2027-95	DTC143ZUA	R214	119-0000-05	1/10W 0 ohm JW
			Q802	125-2027-95	DTC143ZUA	R215	119-0000-05	1/10W 0 ohm JW
			Q806	125-8044-90	SH8K15GZETB	R216	033-1011-15	1/16W 100 ohm J
			Q807	125-8044-90	SH8K15GZETB	R217	119-2201-15	1/10W 22 ohm
			R110	033-1041-15	1/16W 100k ohm J	R218	033-1031-15	1/16W 10k ohm J
			R111	033-1041-15	1/16W 100k ohm J	R219	033-1031-15	1/16W 10k ohm J
			R112	033-1041-15	1/16W 100k ohm J	R220	033-1031-15	1/16W 10k ohm J
			R113	033-4731-15	1/16W 47k ohm J	R221	033-3331-15	1/16W 33k ohm J
			R114	032-0221-74	1/16W 10k ohm 1%	R222	033-3331-15	1/16W 33k ohm J
			R115	032-0221-74	1/16W 10k ohm 1%	R223	033-1031-15	1/16W 10k ohm J
			R123	033-4731-15	1/16W 47k ohm J	R224	033-1031-15	1/16W 10k ohm J
			R124	033-0000-05	1/16W 0 ohm	R225	033-4731-15	1/16W 47k ohm J
			R126	033-1011-15	1/16W 100 ohm J	R227	033-1031-15	1/16W 10k ohm J
			R127	033-4741-15	1/16W 470k ohm J	R228	033-0000-05	1/16W 0 ohm
			R128	032-0221-30	1/16W 150k ohm F	R230	032-0221-08	1/16W 1k ohm F
			R130	033-4741-15	1/16W 470k ohm J	R231	032-0221-08	1/16W 1k ohm F
			R131	032-0221-94	1/16W 180k ohm F	R232	032-0221-08	1/16W 1k ohm F
			R132	032-0221-10	1/16W 15k ohm F	R233	032-0221-08	1/16W 1k ohm F
			R133	032-0221-06	1/16W 100k ohm F	R237	119-1001-15	1/10W 10 ohm
			R135	032-0221-32	1/16W 220k ohm F	R238	032-0221-63	1/16W 12k ohm F
			R136	032-0221-84	1/16W 27k ohm F	R239	032-0221-63	1/16W 12k ohm F
						R240	032-0221-61	1/16W 6.8k ohm F
						R243	033-0000-05	1/16W 0 ohm
						R244	033-0000-05	1/16W 0 ohm

REF NO.	PART NO.	DESCRIPTION	REF NO.	PART NO.	DESCRIPTION	REF NO.	PART NO.	DESCRIPTION
R246	033-1011-15	1/16W 100 ohm J	R544	033-3321-15	1/16W 3.3k ohm J	R826	032-0221-04	1/16W 10 ohm F
R247	033-1011-15	1/16W 100 ohm J	R545	119-2231-15	1/10W 22k ohm	R827	032-0221-04	1/16W 10 ohm F
R248	033-1011-15	1/16W 100 ohm J	R546	119-2231-15	1/10W 22k ohm	R828	032-0248-00	3/4W 7m ohm F
R250	033-0000-05	1/16W 0 ohm	R547	119-2231-15	1/10W 22k ohm	R829	032-0221-73	1/16W 2.2k ohm
R251	033-0000-05	1/16W 0 ohm	R548	119-2231-15	1/10W 22k ohm			1%
R252	032-0221-84	1/16W 27k ohm F	R549	119-1001-15	1/10W 10 ohm	R830	032-0221-83	1/16W 3.3k ohm F
R254	033-2231-15	1/16W 22k ohm J	R550	119-1001-15	1/10W 10 ohm	R831	032-0221-07	1/16W 56k ohm F
R267	033-0000-05	1/16W 0 ohm	R551	033-1531-15	1/16W 15k ohm J	R832	032-0221-94	1/16W 180k ohm F
R301	119-0000-05	1/10W 0 ohm JW	R552	033-1531-15	1/16W 15k ohm J	R833	032-0221-86	1/16W 82k ohm F
R302	033-1811-15	1/16W 180 ohm J	R553	033-2731-15	1/16W 27k ohm J	R834	032-0221-68	1/16W 430k ohm F
R303	033-3311-15	1/16W 330 ohm J	R554	033-2731-15	1/16W 27k ohm J	R835	033-4791-15	1/16W 4.7 ohm
R304	033-4741-15	1/16W 470k ohm J	R555	119-2231-15	1/10W 22k ohm	R836	033-4791-15	1/16W 4.7 ohm
R305	033-1201-15	1/16W 12 ohm	R556	119-2231-15	1/10W 22k ohm	R837	032-0225-66	1/16W 3.6k ohm +/-
R306	033-5601-15	1/16W 56 ohm J	R557	119-1001-15	1/10W 10 ohm			0.5%
R311	033-2231-15	1/16W 22k ohm J	R558	119-1001-15	1/10W 10 ohm	R838	032-0225-88	1/16W 1.5k ohm +/-
R312	033-2231-15	1/16W 22k ohm J	R577	119-2231-15	1/10W 22k ohm			0.5%
R313	033-3921-15	1/16W 3.9k ohm J	R578	119-2231-15	1/10W 22k ohm	R839	032-0225-75	1/16W 1.3k ohm +/-
R314	033-3921-15	1/16W 3.9k ohm J	R579	119-1001-15	1/10W 10 ohm			0.5%
R315	033-1811-15	1/16W 180 ohm J	R580	119-5631-15	1/10W 56k ohm	R840	032-0225-87	1/16W 75 ohm +/-
R316	033-1811-15	1/16W 180 ohm J	R581	033-4731-15	1/16W 47k ohm J			0.5%
R317	033-0000-05	1/16W 0 ohm	R582	119-1001-15	1/10W 10 ohm	R844	116-1511-15	1/4W 150 ohm
R318	033-0000-05	1/16W 0 ohm	R583	033-1041-15	1/16W 100k ohm J	R845	116-1511-15	1/4W 150 ohm
R319	033-0000-05	1/16W 0 ohm	R601	033-1011-15	1/16W 100 ohm J	R849	116-1611-15	160ohm 1/4W
R320	033-0000-05	1/16W 0 ohm	R602	033-1011-15	1/16W 100 ohm J	R862	116-0000-05	1/4W 0 ohm JW
R321	033-0000-05	1/16W 0 ohm	R605	033-0000-05	1/16W 0 ohm	RN101	050-0140-52	1/32W 100 ohm x4J
R322	033-0000-05	1/16W 0 ohm	R606	033-0000-05	1/16W 0 ohm	RN201	050-0140-53	1/32W 0 ohm x4J
R323	033-0000-05	1/16W 0 ohm	R609	033-0000-05	1/16W 0 ohm	RN202	050-0140-53	1/32W 0 ohm x4J
R324	033-0000-05	1/16W 0 ohm	R611	033-0000-05	1/16W 0 ohm	RN205	050-0140-66	1/32W 47 ohm x4J
R325	033-0000-05	1/16W 0 ohm	R612	033-0000-05	1/16W 0 ohm	RN206	050-0140-52	1/32W 100 ohm x4J
R326	033-1811-15	1/16W 180 ohm J	R618	033-0000-05	1/16W 0 ohm	RN207	050-0140-53	1/32W 0 ohm x4J
R327	033-1811-15	1/16W 180 ohm J	R619	033-0000-05	1/16W 0 ohm	RN602	050-0140-52	1/32W 100 ohm x4J
R332	033-4741-15	1/16W 470k ohm J	R623	119-0000-05	1/10W 0 ohm JW	RN701	050-0140-52	1/32W 100 ohm x4J
R333	033-1051-15	1/16W 1M ohm J	R624	119-0000-05	1/10W 0 ohm JW	T301	010-4100-50	0.215uH
R334	033-1051-15	1/16W 1M ohm J	R629	033-4731-15	1/16W 47k ohm J	T302	010-4100-50	0.215uH
R335	033-1811-15	1/16W 180 ohm J	R633	033-3341-15	1/16W 330k ohm J	TH101	002-0315-00	TN10-3U153JT
R336	033-3311-15	1/16W 330 ohm J	R634	033-0000-05	1/16W 0 ohm	VR301	001-9212-50	AVR-M2012C390
R337	033-1201-15	1/16W 12 ohm	R635	033-0000-05	1/16W 0 ohm			KT6AB
R338	033-1051-15	1/16W 1M ohm J	R725	033-1011-15	1/16W 100 ohm J	VR807	001-9210-50	AVR-M1608C270
R339	033-1051-15	1/16W 1M ohm J	R726	033-0000-05	1/16W 0 ohm			MTAAD
R340	033-0000-05	1/16W 0 ohm	R727	033-0000-05	1/16W 0 ohm	VR809	001-9210-50	AVR-M1608C270
R419	032-0221-55	1/16W 1.5k ohm F	R728	033-1021-15	1/16W 1k ohm J			MTAAD
R420	032-0221-51	1/16W 4.7k ohm F	R729	033-1011-15	1/16W 100 ohm J	VR810	001-9210-50	AVR-M1608C270
R422	119-0000-05	1/10W 0 ohm JW	R730	033-1011-15	1/16W 100 ohm J			MTAAD
R423	032-0221-63	1/16W 12k ohm F	R731	033-1031-15	1/16W 10k ohm J	VR811	001-9210-50	AVR-M1608C270
R424	032-0221-65	1/16W 68k ohm F	R732	033-1031-15	1/16W 10k ohm J			MTAAD
R429	033-1011-15	1/16W 100 ohm J	R733	033-1041-15	1/16W 100k ohm J	VR812	001-9210-50	AVR-M1608C270
R431	033-1041-15	1/16W 100k ohm J	R734	033-1021-15	1/16W 1k ohm J			MTAAD
R433	033-6831-15	1/16W 68k ohm J	R735	033-1041-15	1/16W 100k ohm J	VR813	001-9210-50	AVR-M1608C270
R437	033-0000-05	1/16W 0 ohm	R736	033-1021-15	1/16W 1k ohm J			MTAAD
R438	116-0000-05	1/4W 0 ohm JW	R737	032-0221-74	1/16W 10k ohm 1%	X101	061-3574-90	3.981312MHz
R521	033-1031-15	1/16W 10k ohm J	R738	032-0221-33	1/16W 20k ohm F	X201	061-3589-90	41.6MHz
R522	033-1031-15	1/16W 10k ohm J	R801	032-0208-51	1/4W 15k ohm	ZD101	001-4343-50	RD6.2SL-T1-A
R525	033-1031-15	1/16W 10k ohm J	R803	116-4791-15	1/4W 4.7 ohm			/N1W
R526	033-0000-05	1/16W 0 ohm	R804	116-4791-15	1/4W 4.7 ohm	ZD102	001-4305-25	UDZSTE-17 9.1B
R527	033-1031-15	1/16W 10k ohm J	R805	032-0225-86	1/16W 39 ohm +/-	ZD103	001-4305-25	UDZSTE-17 9.1B
R530	033-1031-15	1/16W 10k ohm J			0.5%	ZD301	060-8107-50	SURGE
R531	033-1031-15	1/16W 10k ohm J	R807	033-1031-15	1/16W 10k ohm J			PROTECTOR
R532	033-1031-15	1/16W 10k ohm J	R808	033-1031-15	1/16W 10k ohm J	ZD302	060-8107-50	SURGE
R533	033-0000-05	1/16W 0 ohm	R815	032-0221-86	1/16W 82k ohm F			PROTECTOR
R535	033-1031-15	1/16W 10k ohm J	R816	032-0221-80	1/16W 6.2k ohm F	ZD401	001-4313-55	HZU7C3L
R537	033-1051-15	1/16W 1M ohm J	R817	032-0221-66	1/16W 270 ohm F	ZD402	001-4313-56	HZU7A1L
R538	033-1051-15	1/16W 1M ohm J	R822	032-0248-01	3/4W 9m ohm F	ZD801	001-4005-90	1N5361BRLG
R539	033-0000-05	1/16W 0 ohm	R823	032-0221-04	1/16W 10 ohm F	PWB	039-4360-00	PWB(WITHOUT
R540	033-0000-05	1/16W 0 ohm	R824	032-0221-04	1/16W 10 ohm F			COMPONENTS)
R543	033-3321-15	1/16W 3.3k ohm J	R825	116-2291-15	1/4W 2.2 ohm			

CPU PWB(B3) section

REF NO.	PART NO.	DESCRIPTION	REF NO.	PART NO.	DESCRIPTION	REF NO.	PART NO.	DESCRIPTION
ANT900	092-2255-04	ANT-RECEPT	C391	046-1042-78	0.1uF K B	C478	046-1022-58	50V 1000pF
C101	046-1042-78	0.1uF K B	C392	046-1042-78	0.1uF K B	C479	046-1022-58	50V 1000pF
C105	046-1032-78	0.01uF K B	C393	046-1042-78	0.1uF K B	C480	046-1042-78	0.1uF K B
C107	046-1022-58	50V 1000pF	C394	046-1042-78	0.1uF K B	C481	043-0577-90	6.3V 1.0uF
C109	046-1022-58	50V 1000pF	C395	043-0572-90	6.3V 100uF	C482	043-0577-90	6.3V 1.0uF
C111	046-1042-78	0.1uF K B	C396	043-0577-90	6.3V 1.0uF	C483	043-0577-90	6.3V 1.0uF
C113	046-1042-78	0.1uF K B	C397	043-0577-90	6.3V 1.0uF	C484	043-0577-90	6.3V 1.0uF
C114	046-1022-58	50V 1000pF	C398	043-0577-90	6.3V 1.0uF	C485	043-0577-90	6.3V 1.0uF
C115	046-1042-78	0.1uF K B	C400	046-1042-78	0.1uF K B	C486	043-0577-90	6.3V 1.0uF
C116	046-1022-58	50V 1000pF	C401	046-1042-78	0.1uF K B	C487	043-0577-90	6.3V 1.0uF
C117	046-1042-78	0.1uF K B	C402	046-1042-78	0.1uF K B	C488	043-0577-90	6.3V 1.0uF
C200	045-1007-50	10 +/-0.5pF CH	C403	046-1042-78	0.1uF K B	C489	043-0577-90	6.3V 1.0uF
C300	046-1042-78	0.1uF K B	C404	046-1042-78	0.1uF K B	C490	043-0577-90	6.3V 1.0uF
C301	046-1042-78	0.1uF K B	C406	046-1042-78	0.1uF K B	C491	043-0577-90	6.3V 1.0uF
C302	046-1042-78	0.1uF K B	C407	046-1042-78	0.1uF K B	C492	043-0577-90	6.3V 1.0uF
C303	046-1042-78	0.1uF K B	C408	046-1042-78	0.1uF K B	C500	178-1062-88	10uF
C304	046-1042-78	0.1uF K B	C409	046-1042-78	0.1uF K B	C501	046-1042-78	0.1uF K B
C305	046-1042-78	0.1uF K B	C410	046-1022-58	50V 1000pF	C502	178-1062-88	10uF
C306	046-1042-78	0.1uF K B	C411	046-1022-58	50V 1000pF	C503	046-1042-78	0.1uF K B
C307	046-1042-78	0.1uF K B	C412	046-1042-78	0.1uF K B	C504	046-1042-78	0.1uF K B
C309	046-1042-78	0.1uF K B	C413	046-1042-78	0.1uF K B	C505	046-1032-78	0.01uF K B
C310	046-1042-78	0.1uF K B	C414	046-1042-78	0.1uF K B	C509	046-1032-78	0.01uF K B
C311	046-1042-78	0.1uF K B	C415	046-1042-78	0.1uF K B	C510	046-1032-78	0.01uF K B
C312	046-1042-78	0.1uF K B	C416	046-1042-78	0.1uF K B	C511	046-1042-78	0.1uF K B
C313	046-1042-78	0.1uF K B	C417	046-1042-78	0.1uF K B	C512	046-1042-78	0.1uF K B
C314	046-1042-78	0.1uF K B	C418	046-1042-78	0.1uF K B	C513	046-1032-78	0.01uF K B
C315	046-1042-78	0.1uF K B	C419	046-1042-78	0.1uF K B	C514	046-1032-78	0.01uF K B
C316	046-1042-78	0.1uF K B	C420	046-1022-58	50V 1000pF	C515	046-1042-78	0.1uF K B
C317	046-1042-78	0.1uF K B	C421	046-1042-78	0.1uF K B	C516	046-1032-78	0.01uF K B
C318	046-1042-78	0.1uF K B	C422	046-1042-78	0.1uF K B	C518	046-1042-78	0.1uF K B
C319	046-1042-78	0.1uF K B	C423	046-1042-78	0.1uF K B	C602	046-1042-78	0.1uF K B
C320	046-1042-78	0.1uF K B	C424	046-1022-58	50V 1000pF	C607	046-1032-78	0.01uF K B
C321	046-1042-78	0.1uF K B	C425	046-1022-58	50V 1000pF	C608	045-1096-50	1pF 50V
C323	046-1042-78	0.1uF K B	C426	046-1042-78	0.1uF K B	C609	046-1032-78	0.01uF K B
C324	046-1042-78	0.1uF K B	C427	046-1042-78	0.1uF K B	C610	045-1096-50	1pF 50V
C325	046-1042-78	0.1uF K B	C428	046-1042-78	0.1uF K B	C611	046-1032-78	0.01uF K B
C326	046-1042-78	0.1uF K B	C429	046-1042-78	0.1uF K B	C612	046-1042-78	0.1uF K B
C327	046-1042-78	0.1uF K B	C430	046-1042-78	0.1uF K B	C613	178-1062-88	10uF
C328	046-1042-78	0.1uF K B	C431	046-1042-78	0.1uF K B	C614	046-1032-78	0.01uF K B
C329	046-1042-78	0.1uF K B	C432	046-1042-78	0.1uF K B	C615	043-0552-90	6.3V 47uF M
C330	046-1042-78	0.1uF K B	C433	046-1042-78	0.1uF K B	C616	046-1042-78	0.1uF K B
C348	046-1042-78	0.1uF K B	C434	046-1042-78	0.1uF K B	C617	178-1062-88	10uF
C349	046-1042-78	0.1uF K B	C435	046-1042-78	0.1uF K B	C618	178-1062-88	10uF
C356	046-1042-78	0.1uF K B	C436	046-1042-78	0.1uF K B	C619	168-1032-55	0.01uF K
C357	046-1042-78	0.1uF K B	C437	046-1042-78	0.1uF K B	C627	168-1032-55	0.01uF K
C358	046-1042-78	0.1uF K B	C438	046-1042-78	0.1uF K B	C630	046-1032-78	0.01uF K B
C359	046-1042-78	0.1uF K B	C439	046-1042-78	0.1uF K B	C631	046-1032-78	0.01uF K B
C360	046-1042-78	0.1uF K B	C441	043-0577-90	6.3V 1.0uF	C700	046-1032-78	0.01uF K B
C361	046-1032-78	0.01uF K B	C442	043-0577-90	6.3V 1.0uF	C701	178-1062-88	10uF
C362	046-1032-78	0.01uF K B	C443	043-0577-90	6.3V 1.0uF	C703	046-1042-78	0.1uF K B
C363	046-1032-78	0.01uF K B	C444	043-0577-90	6.3V 1.0uF	C705	046-1042-78	0.1uF K B
C364	046-1032-78	0.01uF K B	C445	043-0577-90	6.3V 1.0uF	C706	046-1042-78	0.1uF K B
C365	046-1032-78	0.01uF K B	C446	046-1022-58	50V 1000pF	C707	046-1032-78	0.01uF K B
C366	046-1032-78	0.01uF K B	C447	046-1022-58	50V 1000pF	C708	046-1042-78	0.1uF K B
C367	046-1032-78	0.01uF K B	C449	046-1042-78	0.1uF K B	C709	045-1011-50	100pFJ CH
C368	046-1042-78	0.1uF K B	C450	046-1042-78	0.1uF K B	C710	168-4742-78	0.47uF K
C369	046-1042-78	0.1uF K B	C451	043-0577-90	6.3V 1.0uF	C711	046-1032-78	0.01uF K B
C370	046-1042-78	0.1uF K B	C452	043-0577-90	6.3V 1.0uF	C712	045-1011-50	100pFJ CH
C371	046-1042-78	0.1uF K B	C453	043-0577-90	6.3V 1.0uF	C713	046-1042-78	0.1uF K B
C373	046-1042-78	0.1uF K B	C454	043-0577-90	6.3V 1.0uF	C714	046-1042-78	0.1uF K B
C374	046-1032-78	0.01uF K B	C456	046-1022-58	50V 1000pF	C715	046-1042-78	0.1uF K B
C376	043-0577-90	6.3V 1.0uF	C457	043-0577-90	6.3V 1.0uF	C716	046-1032-78	0.01uF K B
C377	043-0577-90	6.3V 1.0uF	C458	043-0577-90	6.3V 1.0uF	C717	046-1032-78	0.01uF K B
C378	043-0577-90	6.3V 1.0uF	C459	043-0577-90	6.3V 1.0uF	C718	178-1062-88	10uF
C379	043-0577-90	6.3V 1.0uF	C460	046-1022-58	50V 1000pF	C719	046-1032-78	0.01uF K B
C380	046-1042-78	0.1uF K B	C461	046-1022-58	50V 1000pF	C720	178-1062-88	10uF
C381	178-1062-88	10uF	C465	046-1042-78	0.1uF K B	C721	178-1062-88	10uF
C385	046-1042-78	0.1uF K B	C466	046-1042-78	0.1uF K B	C722	046-1032-78	0.01uF K B
C386	178-1062-88	10uF	C473	046-1042-78	0.1uF K B	C723	046-1032-78	0.01uF K B
C387	046-1032-78	0.01uF K B	C474	046-1022-58	50V 1000pF	C724	046-3332-78	0.033uF K B
C388	046-1032-78	0.01uF K B	C475	043-0577-90	6.3V 1.0uF	C725	046-1042-78	0.1uF K B
C389	046-1032-78	0.01uF K B	C476	046-1032-78	0.01uF K B	C726	046-1042-78	0.1uF K B
C390	178-1062-88	10uF	C477	046-1042-78	0.1uF K B	C727	046-1032-78	0.01uF K B

REF NO.	PART NO.	DESCRIPTION	REF NO.	PART NO.	DESCRIPTION	REF NO.	PART NO.	DESCRIPTION
C728	046-3332-78	0.033uF K B	C1022	AAZ0293	25V 10uF 10%	C1319	046-1022-58	50V 1000pF
C729	046-1042-78	0.1uF K B	C1023	045-2201-50	22pFJ CH	C1320	046-5622-58	5600pF K B
C730	046-1042-78	0.1uF K B	C1024	168-4712-55	470pF K	C1321	043-0603-90	16V 10uF
C731	046-3332-78	0.033uF K B	C1026	168-4712-55	470pF K	C1322	043-0605-90	10V 2.2uF
C732	046-1042-78	0.1uF K B	C1027	043-7503-90	4.7uF	C1323	043-0605-90	10V 2.2uF
C733	046-3332-78	0.033uF K B	C1028	046-1042-78	0.1uF K B	C1328	046-1042-78	0.1uF K B
C734	046-1042-78	0.1uF K B	C1029	168-2242-58	0.22uF K	C1329	043-4306-90	1uF
C735	046-1042-78	0.1uF K B	C1030	043-0563-90	16V 47uF	C1331	168-3322-55	3300pF K
C736	046-1042-78	0.1uF K B	C1031	AAZ0261	25V 1uF	C1332	AAZ0293	25V 10uF 10%
C737	046-1032-78	0.01uF K B	C1032	046-1522-58	1500pF K B	C1333	168-1042-38	50V 0.1uF K
C738	046-1032-78	0.01uF K B	C1033	046-1045-59	0.1uF Z F	C1339	043-0570-90	16V 2.2uF K
C739	046-3332-78	0.033uF K B	C1034	046-1042-78	0.1uF K B	C1340	043-0570-90	16V 2.2uF K
C740	046-3332-78	0.033uF K B	C1101	AAZ0253	50V 0.047uF	C1341	043-0570-90	16V 2.2uF K
C741	046-1042-78	0.1uF K B	C1102	043-5703-91	50V 3300pF 10%	C1342	043-0570-90	16V 2.2uF K
C742	046-3332-78	0.033uF K B	C1103	043-5703-91	50V 3300pF 10%	C1343	045-2201-50	22pFJ CH
C743	046-1032-78	0.01uF K B	C1104	043-5703-91	50V 3300pF 10%	C1344	045-2201-50	22pFJ CH
C744	046-1032-78	0.01uF K B	C1105	168-2212-55	220pF K	C1345	045-2201-50	22pFJ CH
C745	046-1042-78	0.1uF K B	C1106	043-5703-91	50V 3300pF 10%	C1346	045-2201-50	22pFJ CH
C746	046-1032-78	0.01uF K B	C1108	043-5703-91	50V 3300pF 10%	C1347	046-1042-78	0.1uF K B
C747	046-1022-58	50V 1000pF	C1109	168-3322-55	3300pF K	C1348	043-4306-90	1uF
C748	045-1201-50	12pFJ CH	C1110	168-3322-55	3300pF K	C1349	046-1042-78	0.1uF K B
C749	045-1007-50	10 +/-0.5pF CH	C1111	168-3322-55	3300pF K	C1350	178-1062-88	10uF
C800	046-1042-78	0.1uF K B	C1112	043-5703-91	50V 3300pF 10%	C1351	AAZ0258	25V 0.22uF
C801	045-8097-50	8pF +/-0.5pF CH	C1113	043-5703-91	50V 3300pF 10%	C1352	043-0574-90	25V 1.0uF
C802	045-8097-50	8pF +/-0.5pF CH	C1114	043-5703-91	50V 3300pF 10%	C1406	046-1022-58	50V 1000pF
C803	043-0605-90	10V 2.2uF	C1115	043-5703-91	50V 3300pF 10%	C1408	043-7701-90	2.2uF
C804	046-1042-78	0.1uF K B	C1116	043-5703-91	50V 3300pF 10%	C1411	043-0554-90	25V 10uF
C805	046-1042-78	0.1uF K B	C1117	046-1042-78	0.1uF K B	C1413	043-0554-90	25V 10uF
C806	046-1042-78	0.1uF K B	C1118	046-1042-78	0.1uF K B	C1414	043-7400-90	16V 22uF
C807	043-6400-90	16V 4.7uF K	C1119	046-1042-78	0.1uF K B	C1415	AAZ0264	16V 1uF
C808	046-1022-58	50V 1000pF	C1120	046-1042-78	0.1uF K B	C1416	046-1042-78	0.1uF K B
C809	046-1022-58	50V 1000pF	C1121	168-4722-55	4700pF K	C1417	046-1022-58	50V 1000pF
C810	046-1022-58	50V 1000pF	C1122	168-4722-55	4700pF K	C1418	046-1022-58	50V 1000pF
C811	046-1042-78	0.1uF K B	C1123	046-1042-78	0.1uF K B	C1419	043-0559-90	6.3V 22uF
C812	046-1042-78	0.1uF K B	C1124	046-1042-78	0.1uF K B	C1420	043-0559-90	6.3V 22uF
C900	046-1042-78	0.1uF K B	C1125	168-1022-55	1000pF K	C1421	046-4732-78	0.047uF K B
C901	046-1045-59	0.1uF Z F	C1127	AAZ0254	50V 0.1uF	C1423	043-0559-90	6.3V 22uF
C902	046-1045-59	0.1uF Z F	C1128	046-1042-78	0.1uF K B	C1426	046-1022-58	50V 1000pF
C903	043-6400-90	16V 4.7uF K	C1129	046-1042-78	0.1uF K B	C1427	043-0603-90	16V 10uF
C904	168-4742-78	0.47uF K	C1130	046-1042-78	0.1uF K B	C1428	043-0603-90	16V 10uF
C905	046-1042-78	0.1uF K B	C1201	046-1042-78	0.1uF K B	C1432	043-7503-90	4.7uF
C906	043-7400-90	16V 22uF	C1202	046-1045-59	0.1uF Z F	C1433	043-0603-90	16V 10uF
C908	043-7400-90	16V 22uF	C1203	046-1042-78	0.1uF K B	C1435	046-1042-78	0.1uF K B
C910	045-1011-50	100pFJ CH	C1204	043-0559-90	6.3V 22uF	C1436	046-1042-78	0.1uF K B
C911	168-1052-78	16V 1uF K	C1207	046-1042-78	0.1uF K B	C1437	046-1042-78	0.1uF K B
C912	046-1042-78	0.1uF K B	C1208	046-1042-78	0.1uF K B	C1438	046-1042-78	0.1uF K B
C913	046-1042-78	0.1uF K B	C1209	043-5600-90	0.10uF	C1439	046-1042-78	0.1uF K B
C914	178-1062-88	10uF	C1211	043-0603-90	16V 10uF	C1440	046-1042-78	0.1uF K B
C915	045-1011-50	100pFJ CH	C1212	043-0559-90	6.3V 22uF	C1441	046-1042-78	0.1uF K B
C916	046-1042-78	0.1uF K B	C1213	043-7400-90	16V 22uF	C1602	043-0548-50	10V 2.2uF
C917	043-0559-90	6.3V 22uF	C1216	043-0554-90	25V 10uF	C1603	046-1045-59	0.1uF Z F
C918	046-1042-78	0.1uF K B	C1217	043-0554-90	25V 10uF	C1604	046-1042-78	0.1uF K B
C919	046-1042-78	0.1uF K B	C1218	043-0554-90	25V 10uF	C1605	043-0563-90	16V 47uF
C920	046-1042-78	0.1uF K B	C1219	043-0554-90	25V 10uF	C1606	046-1522-58	1500pF K B
C921	046-1042-78	0.1uF K B	C1220	046-1042-78	0.1uF K B	C1607	046-1045-59	0.1uF Z F
C922	168-1052-78	16V 1uF K	C1222	046-1045-59	0.1uF Z F	C1608	046-1045-59	0.1uF Z F
C923	046-1042-78	0.1uF K B	C1300	043-5703-91	50V 3300pF 10%	C1610	AAZ0254	50V 0.1uF
C924	046-1032-78	0.01uF K B	C1301	AAZ0322	250V 470pF 10%	C1611	AAZ0254	50V 0.1uF
C925	046-1032-78	0.01uF K B	C1302	AAZ0254	50V 0.1uF	C1612	AAZ0293	25V 10uF 10%
C926	046-1032-78	0.01uF K B	C1303	042-0630-50	16V 100uF	C1613	AAZ0293	25V 10uF 10%
C927	045-3301-50	33pFJ CH	C1304	043-0570-90	16V 2.2uF K	C1616	166-3096-50	3pF +/-0.25pF CK
C1000	046-1042-78	0.1uF K B	C1305	043-0570-90	16V 2.2uF K	C1617	166-3096-50	3pF +/-0.25pF CK
C1003	168-1022-55	1000pF K	C1306	043-0554-90	25V 10uF	C1618	166-3096-50	3pF +/-0.25pF CK
C1004	168-4712-55	470pF K	C1307	AAZ0254	50V 0.1uF	C1619	166-3096-50	3pF +/-0.25pF CK
C1005	043-7400-90	16V 22uF	C1308	045-2201-50	22pFJ CH	C1620	043-7503-90	4.7uF
C1006	046-1042-78	0.1uF K B	C1309	043-0554-90	25V 10uF	C1621	168-2242-58	0.22uF K
C1007	168-1052-78	16V 1uF K	C1310	AAZ0254	50V 0.1uF	C1622	AAZ0261	25V 1uF
C1008	AAZ0254	50V 0.1uF	C1311	045-2201-50	22pFJ CH	C1624	046-1042-78	0.1uF K B
C1013	166-3096-50	3pF +/-0.25pF CK	C1313	043-0554-90	25V 10uF	C1625	043-0563-90	16V 47uF
C1014	166-3096-50	3pF +/-0.25pF CK	C1314	046-2232-78	0.022uF K B	C1672	043-0548-50	10V 2.2uF
C1015	043-0570-90	16V 2.2uF K	C1315	046-1045-59	0.1uF Z F	C1673	046-1042-78	0.1uF K B
C1016	043-0570-90	16V 2.2uF K	C1316	046-2232-78	0.022uF K B	C1674	046-1032-78	0.01uF K B
C1020	045-2201-50	22pFJ CH	C1317	046-5612-58	560pF K B	C1675	046-1042-78	0.1uF K B
C1021	168-1042-38	50V 0.1uF K	C1318	046-2232-78	0.022uF K B	C1676	046-1032-78	0.01uF K B

REF NO.	PART NO.	DESCRIPTION	REF NO.	PART NO.	DESCRIPTION	REF NO.	PART NO.	DESCRIPTION
C1677	046-1042-78	0.1uF K B	IC1000	051-7202-90	MC74VHC1G32	L600	BMZ0211	BLM18PG121
C1678	046-1032-78	0.01uF K B			DFT2G			SN1D
C1679	046-1042-78	0.1uF K B	IC1002	051-3034-90	NJM4558V	L602	BMZ0211	BLM18PG121
C1680	046-1042-78	0.1uF K B	IC1004	051-6938-90	BD2065AFJ			SN1D
C1681	046-1032-78	0.01uF K B	IC1005	-----	LT8697EUDD	L603	BMZ0222	BLM15AG121
C1682	046-1032-78	0.01uF K B			#TRPBF(QFN)			SN1D
C1683	045-8097-50	8pF +/-0.5pF CH			(FLAT)	L604	BMZ0222	BLM15AG121
C1684	046-1042-78	0.1uF K B			(364790-051)			SN1D
C1685	046-1042-78	0.1uF K B	IC1100	051-6647-70	TJA1051T/3,118	L605	BMZ0222	BLM15AG121
C1686	046-1032-78	0.01uF K B	IC1101	051-6647-70	TJA1051T/3,118			SN1D
C1687	046-1032-78	0.01uF K B	IC1102	051-6647-70	TJA1051T/3,118	L606	BMZ0222	BLM15AG121
C1688	045-8097-50	8pF +/-0.5pF CH	IC1200	051-7202-90	MC74VHC1G32			SN1D
C1689	046-1042-78	0.1uF K B			DFT2G	L700	BMZ0211	BLM18PG121
C1690	046-1032-78	0.01uF K B	IC1300	051-3034-90	NJM4558V			SN1D
C1691	046-1042-78	0.1uF K B	IC1301	051-3053-90	NJM2058V	L701	010-3417-90	10uH
C1692	046-1032-78	0.01uF K B	IC1302	051-6764-90	CS5343-DZZR	L702	BMZ0211	BLM18PG121
C1693	046-1042-78	0.1uF K B	IC1303	051-3034-90	NJM4558V			SN1D
C1694	046-1042-78	0.1uF K B	IC1304	051-3553-90	NJM2865F3-05	L703	BMZ0211	BLM18PG121
C1695	046-1032-78	0.01uF K B	IC1401	-----	BD00D0AWHFP-			SN1D
C1696	046-1042-78	0.1uF K B			TR	L800	010-3127-91	220 ohm/100MHZ
C1697	046-1032-78	0.01uF K B			(Voltage regulator)	L900	010-3104-50	30 ohm/100MHZ
C1698	046-1042-78	0.1uF K B			(Thermal pad)	L901	BMZ0221	BLM15AG601
C1699	046-1042-78	0.1uF K B			(370990-051)			SN1D
D600	001-2630-90	1SS420-TPL3,F	IC1402	-----	SC183CULTRT	L903	010-3101-66	MLK1005S22NJT
D1001	001-0517-90	1SS355			(PAD)	L904	010-3127-91	220 ohm/100MHZ
D1100	001-0517-90	1SS355			(358800-051)	L905	010-3113-90	1k ohm/100MHZ
D1101	001-2412-90	RR264M-400	IC1403	-----	SC187ULTRT	L906	010-3113-90	1k ohm/100MHZ
D1103	001-0517-90	1SS355			(Thermal pad)	L1001	BEZ0122	DLP11SN900HL2L
D1105	001-0517-90	1SS355			(363690-051)	L1002	010-3537-50	3.9uH
D1106	001-0517-90	1SS355	IC1404	051-3770-90	BD00HA3EEFJ-	L1100	BMZ0211	BLM18PG121
D1107	001-0517-90	1SS355			ME2			SN1D
D1600	001-2630-90	1SS420-TPL3,F	IC1406	-----	BD00C0AWFP	L1200	010-3104-50	30 ohm/100MHZ
D1601	001-2630-90	1SS420-TPL3,F			(Voltage regulator)	L1201	010-3104-50	30 ohm/100MHZ
IC101	-----	R8A77781DA21BG			(Thermal pad)	L1202	010-3104-50	30 ohm/100MHZ
		(BGA)			(358290-051)	L1203	010-3104-50	30 ohm/100MHZ
		(043500-052)	IC1609	051-6666-00	S2R72A42F12C	L1204	010-3104-50	30 ohm/100MHZ
IC103	051-5460-90	R3132Q30EA8-			400	L1205	010-3104-50	30 ohm/100MHZ
		TR-F	IC1610	051-7202-90	MC74VHC1G32	L1208	010-3104-50	30 ohm/100MHZ
IC105	CKZ1512	R3132Q46EA3			DFT2G	L1209	010-3104-50	30 ohm/100MHZ
IC300	051-7222-60	MC74VHC1G08	IC1611	051-3941-90	BD2232G-GTR	L1211	BEZ0122	DLP11SN900HL2L
		DFT2G	IC1612	051-3941-90	BD2232G-GTR	L1213	010-3104-50	30 ohm/100MHZ
IC400	-----	MT41K256M16HA	IC1615	-----	LT8697EUDD	L1214	010-3104-50	30 ohm/100MHZ
		125IT:E(BGA)			#TRPBF(QFN)	L1215	010-3104-50	30 ohm/100MHZ
		(DDR3-SDRAM)			(FLAT)	L1216	010-3104-50	30 ohm/100MHZ
		(934210-051)			(364790-051)	L1217	010-3104-50	30 ohm/100MHZ
IC401	-----	MT41K256M16HA	J300	074-2255-09	FH33-9S-0.5SH 9P	L1301	010-3127-91	220 ohm/100MHZ
		125IT:E(BGA)	J301	074-2255-09	FH33-9S-0.5SH 9P	L1302	BMZ0222	BLM15AG121
		(DDR3-SDRAM)	J302	074-2255-40	FH33-40S-0.5SH			SN1D
		(934210-051)			40P	L1400	010-3104-50	30 ohm/100MHZ
IC402	-----	PC28F512M29A	J603	074-2273-65	15P	L1404	010-3539-51	1.2uH
		WHB(BGA)	J800	076-6017-09	9P	L1405	010-3414-92	2.2uH
		(FLASH ROM)	J1001	074-4091-90	6661S-05Y901	L1406	010-2285-82	390 ohm/100MHZ
		(359410-052)			(USB)	L1612	BMZ0211	BLM18PG121
IC500	051-6842-00	LC4256ZE-7TN100	J1200	074-2248-80	80P			SN1D
IC600	051-6934-90	MFI341S2313	J1201	074-2266-18	68P	L1614	BEZ0122	DLP11SN900HL
IC602	051-6226-60	CY25404ZXI-223T	J1603	074-4091-90	6661S-05Y901			2L
IC603	051-3941-90	BD2232G-GTR			(USB)	L1615	BEZ0122	DLP11SN900HL
IC700	051-6481-00	BU17101AKV-ME2	J1604	074-4091-90	6661S-05Y901			2L
IC701	051-6479-00	AK8858VQ			(USB)	L1616	BMZ0211	BLM18PG121
IC800	051-7202-90	MC74VHC1G32	L200	BMZ0222	(BLM15AG121			SN1D
		DFT2G	L201	010-3124-96	10 ohm/100MHZ	L1617	010-3537-50	3.9uH
IC801	-----	UPD70F3365GJ	L202	010-3124-96	10 ohm/100MHZ	N1100	EAZ0921	OUTLET SOCKET
		(A)-G(LQFP)	L203	010-3124-96	10 ohm/100MHZ			(40P)
		(FLASH)	L204	010-3124-96	10 ohm/100MHZ	NF1300	060-3113-94	NFM2012R13C
		(033620-052)	L300	BMZ0211	BLM18PG121			471R
IC901	051-6923-58	ADC121S021CI			SN1D	P1200	076-6021-60	10P
		MFX				Q1000	125-2046-91	DTC114EUBTL
IC902	051-7202-90	MC74VHC1G32	L302	BMZ0211	BLM18PG121	Q1001	125-9028-90	UMX1NTN
		DFT2G			SN1D	Q1002	125-0035-98	DTA114YUBTL
IC903	051-7561-90	74HCT4051PW	L303	BMZ0211	BLM18PG121	Q1100	125-9028-90	UMX1NTN
IC904	060-8143-90	GYRO SENSOR			SN1D	Q1101	125-9028-90	UMX1NTN
		(MEV-50D-R)	L500	010-3127-91	220 ohm/100MHZ	Q1102	125-9028-90	UMX1NTN
IC908	051-3941-90	BD2232G-GTR	L501	010-3127-91	220 ohm/100MHZ	Q1103	125-9028-90	UMX1NTN
IC909	060-8156-90	GPS RECEIVER				Q1104	125-9028-90	UMX1NTN

REF NO.	PART NO.	DESCRIPTION	REF NO.	PART NO.	DESCRIPTION	REF NO.	PART NO.	DESCRIPTION
Q1106	125-2027-91	DTC114EUA	R206	032-0221-29	1/16W 5.1k ohm 1%	R507	033-1031-15	1/16W 10k ohm J
Q1107	125-2027-91	DTC114EUA	R207	032-0221-02	1/16W 33 ohm 1%	R508	033-1031-15	1/16W 10k ohm J
Q1108	125-9028-90	UMX1NTN	R208	032-0221-02	1/16W 33 ohm 1%	R509	033-1031-15	1/16W 10k ohm J
Q1109	125-9028-90	UMX1NTN	R209	033-6801-15	1/16W 68 ohm J	R511	033-1031-15	1/16W 10k ohm J
Q1110	125-9028-90	UMX1NTN	R210	032-0221-02	1/16W 33 ohm 1%	R513	033-1031-15	1/16W 10k ohm J
Q1112	125-9028-90	UMX1NTN	R211	032-0221-02	1/16W 33 ohm 1%	R514	033-6801-15	1/16W 68 ohm J
Q1201	CBZ0071	RT1P144M-T111-1	R212	032-0221-02	1/16W 33 ohm 1%	R515	033-6801-15	1/16W 68 ohm J
Q1202	125-2041-91	RT1N431M-T111	R213	032-0221-97	1/16W 330 ohm 1%	R516	032-0221-02	1/16W 33 ohm 1%
Q1203	125-0035-92	DTA124EUBTL	R214	032-0221-02	1/16W 33 ohm 1%	R517	032-0221-02	1/16W 33 ohm 1%
R100	033-0000-05	1/16W 0 ohm	R216	032-0221-02	1/16W 33 ohm 1%	R518	033-6801-15	1/16W 68 ohm J
R105	032-0150-50	1/16W 10k ohm F	R217	032-0150-50	1/16W 10k ohm F	R519	032-0221-02	1/16W 33 ohm 1%
R106	032-0150-50	1/16W 10k ohm F	R220	032-0150-50	1/16W 10k ohm F	R520	033-6801-15	1/16W 68 ohm J
R107	032-0150-50	1/16W 10k ohm F	R222	032-0221-06	1/16W 100k ohm F	R521	033-6801-15	1/16W 68 ohm J
R108	032-0150-50	1/16W 10k ohm F	R224	032-0150-50	1/16W 10k ohm F	R522	033-1031-15	1/16W 10k ohm J
R109	032-0150-50	1/16W 10k ohm F	R225	032-0150-50	1/16W 10k ohm F	R523	033-1031-15	1/16W 10k ohm J
R110	032-0150-50	1/16W 10k ohm F	R226	032-0150-50	1/16W 10k ohm F	R524	033-6801-15	1/16W 68 ohm J
R111	032-0150-50	1/16W 10k ohm F	R227	032-0221-02	1/16W 33 ohm 1%	R526	033-1031-15	1/16W 10k ohm J
R113	032-0150-65	1/16W 5.6k ohm F	R228	032-0221-02	1/16W 33 ohm 1%	R527	033-1031-15	1/16W 10k ohm J
R115	032-0150-50	1/16W 10k ohm F	R229	032-0221-02	1/16W 33 ohm 1%	R528	033-1031-15	1/16W 10k ohm J
R117	032-0221-66	1/16W 270 ohm F	R230	032-0221-02	1/16W 33 ohm 1%	R529	033-1031-15	1/16W 10k ohm J
R118	032-0150-50	1/16W 10k ohm F	R231	032-0221-02	1/16W 33 ohm 1%	R530	033-0000-05	1/16W 0 ohm
R119	032-0150-50	1/16W 10k ohm F	R232	032-0221-02	1/16W 33 ohm 1%	R531	032-0221-02	1/16W 33 ohm 1%
R121	032-0150-50	1/16W 10k ohm F	R233	032-0150-50	1/16W 10k ohm F	R532	033-6801-15	1/16W 68 ohm J
R122	033-3321-15	1/16W 3.3k ohm J	R234	032-0150-50	1/16W 10k ohm F	R533	033-1031-15	1/16W 10k ohm J
R123	033-3321-15	1/16W 3.3k ohm J	R235	032-0150-50	1/16W 10k ohm F	R534	033-6801-15	1/16W 68 ohm J
R124	032-0221-51	1/16W 4.7k ohm F	R236	032-0221-02	1/16W 33 ohm 1%	R535	033-1031-15	1/16W 10k ohm J
R125	032-0221-51	1/16W 4.7k ohm F	R237	032-0221-02	1/16W 33 ohm 1%	R536	033-1031-15	1/16W 10k ohm J
R126	032-0150-50	1/16W 10k ohm F	R238	033-4791-15	1/16W 4.7 ohm	R537	033-6801-15	1/16W 68 ohm J
R127	032-0150-50	1/16W 10k ohm F	R239	033-4791-15	1/16W 4.7 ohm	R539	033-6801-15	1/16W 68 ohm J
R128	032-0150-50	1/16W 10k ohm F	R240	033-4791-15	1/16W 4.7 ohm	R540	033-1031-15	1/16W 10k ohm J
R129	032-0150-50	1/16W 10k ohm F	R241	033-4791-15	1/16W 4.7 ohm	R541	033-1031-15	1/16W 10k ohm J
R130	033-4731-15	1/16W 47k ohm J	R243	032-0221-02	1/16W 33 ohm 1%	R542	033-1031-15	1/16W 10k ohm J
R131	033-4731-15	1/16W 47k ohm J	R244	032-0221-02	1/16W 33 ohm 1%	R543	033-6801-15	1/16W 68 ohm J
R132	032-0221-02	1/16W 33 ohm 1%	R245	032-0221-02	1/16W 33 ohm 1%	R544	033-6801-15	1/16W 68 ohm J
R133	032-0221-02	1/16W 33 ohm 1%	R246	032-0221-51	1/16W 4.7k ohm F	R546	033-6801-15	1/16W 68 ohm J
R134	032-0221-02	1/16W 33 ohm 1%	R247	032-0221-51	1/16W 4.7k ohm F	R549	033-6801-15	1/16W 68 ohm J
R135	032-0221-02	1/16W 33 ohm 1%	R248	032-0150-50	1/16W 10k ohm F	R552	032-0221-02	1/16W 33 ohm 1%
R136	032-0221-02	1/16W 33 ohm 1%	R249	032-0221-02	1/16W 33 ohm 1%	R553	033-1031-15	1/16W 10k ohm J
R138	032-0221-02	1/16W 33 ohm 1%	R300	032-0150-50	1/16W 10k ohm F	R554	033-1031-15	1/16W 10k ohm J
R139	032-0221-02	1/16W 33 ohm 1%	R301	032-0150-50	1/16W 10k ohm F	R555	033-1031-15	1/16W 10k ohm J
R140	032-0221-02	1/16W 33 ohm 1%	R305	032-0150-54	1/16W 1k ohm F	R556	033-1031-15	1/16W 10k ohm J
R141	032-0221-02	1/16W 33 ohm 1%	R306	032-0150-54	1/16W 1k ohm F	R557	033-1031-15	1/16W 10k ohm J
R142	032-0221-02	1/16W 33 ohm 1%	R307	032-0150-50	1/16W 10k ohm F	R559	033-1031-15	1/16W 10k ohm J
R143	032-0221-02	1/16W 33 ohm 1%	R308	033-4791-15	1/16W 4.7 ohm	R560	032-0221-02	1/16W 33 ohm 1%
R148	032-0221-02	1/16W 33 ohm 1%	R309	033-4791-15	1/16W 4.7 ohm	R561	033-1031-15	1/16W 10k ohm J
R149	032-0221-02	1/16W 33 ohm 1%	R310	033-4791-15	1/16W 4.7 ohm	R562	032-0221-02	1/16W 33 ohm 1%
R150	032-0221-02	1/16W 33 ohm 1%	R311	033-4791-15	1/16W 4.7 ohm	R563	032-0221-02	1/16W 33 ohm 1%
R151	032-0221-02	1/16W 33 ohm 1%	R312	032-0150-50	1/16W 10k ohm F	R564	033-6801-15	1/16W 68 ohm J
R152	032-0221-02	1/16W 33 ohm 1%	R313	032-0221-51	1/16W 4.7k ohm F	R565	033-6801-15	1/16W 68 ohm J
R153	032-0221-02	1/16W 33 ohm 1%	R314	033-0000-05	1/16W 0 ohm	R566	032-0221-02	1/16W 33 ohm 1%
R154	032-0221-02	1/16W 33 ohm 1%	R315	033-0000-05	1/16W 0 ohm	R568	032-0221-02	1/16W 33 ohm 1%
R155	032-0221-02	1/16W 33 ohm 1%	R316	033-0000-05	1/16W 0 ohm	R569	033-1031-15	1/16W 10k ohm J
R156	032-0150-50	1/16W 10k ohm F	R317	033-0000-05	1/16W 0 ohm	R570	033-6801-15	1/16W 68 ohm J
R160	033-1001-15	1/16W 10 ohm J	R318	033-0000-05	1/16W 0 ohm	R571	033-6801-15	1/16W 68 ohm J
R161	032-0221-98	1/16W 120 ohm 1%	R319	032-0150-50	1/16W 10k ohm F	R572	033-6801-15	1/16W 68 ohm J
R162	032-0150-50	1/16W 10k ohm F	R320	032-0150-50	1/16W 10k ohm F	R573	033-6801-15	1/16W 68 ohm J
R163	032-0221-99	1/16W 100 ohm 1%	R400	032-0221-99	1/16W 100 ohm 1%	R574	033-6801-15	1/16W 68 ohm J
R164	032-0221-99	1/16W 100 ohm 1%	R401	032-0221-99	1/16W 100 ohm 1%	R575	032-0221-02	1/16W 33 ohm 1%
R165	032-0221-99	1/16W 100 ohm 1%	R402	032-0221-98	1/16W 120 ohm 1%	R576	032-0221-02	1/16W 33 ohm 1%
R166	032-0221-99	1/16W 100 ohm 1%	R403	032-0221-90	1/16W 240 ohm 1%	R578	032-0221-02	1/16W 33 ohm 1%
R169	033-0000-05	1/16W 0 ohm	R404	032-0221-99	1/16W 100 ohm 1%	R579	033-0000-05	1/16W 0 ohm
R172	032-0150-50	1/16W 10k ohm F	R405	032-0221-99	1/16W 100 ohm 1%	R581	032-0221-02	1/16W 33 ohm 1%
R173	032-0150-50	1/16W 10k ohm F	R406	032-0221-99	1/16W 100 ohm 1%	R582	033-0000-05	1/16W 0 ohm
R177	033-0000-05	1/16W 0 ohm	R407	032-0221-99	1/16W 100 ohm 1%	R584	032-0221-02	1/16W 33 ohm 1%
R178	033-0000-05	1/16W 0 ohm	R408	032-0221-98	1/16W 120 ohm 1%	R587	032-0221-02	1/16W 33 ohm 1%
R180	032-0150-50	1/16W 10k ohm F	R409	032-0221-90	1/16W 240 ohm 1%	R600	032-0150-50	1/16W 10k ohm F
R181	032-0150-50	1/16W 10k ohm F	R410	032-0221-99	1/16W 100 ohm 1%	R601	032-0150-50	1/16W 10k ohm F
R182	033-2201-15	1/16W 22 ohm J	R411	032-0221-99	1/16W 100 ohm 1%	R602	033-0000-05	1/16W 0 ohm
R183	032-0221-03	1/16W 22 ohm 1%	R412	032-0150-50	1/16W 10k ohm F	R603	032-0221-02	1/16W 33 ohm 1%
R184	032-0221-03	1/16W 22 ohm 1%	R413	032-0150-50	1/16W 10k ohm F	R604	032-0221-02	1/16W 33 ohm 1%
R185	033-2201-15	1/16W 22 ohm J	R414	119-0000-05	1/10W 0 ohm JW	R605	032-0221-02	1/16W 33 ohm 1%
R188	033-0000-05	1/16W 0 ohm	R414	119-0000-05	1/10W 0 ohm JW	R606	032-0221-02	1/16W 33 ohm 1%
R200	032-0150-50	1/16W 10k ohm F	R503	032-0221-51	1/16W 4.7k ohm F	R607	032-0221-02	1/16W 33 ohm 1%
R201	032-0150-50	1/16W 10k ohm F	R506	033-1031-15	1/16W 10k ohm J	R609	032-0221-02	1/16W 33 ohm 1%

REF NO.	PART NO.	DESCRIPTION	REF NO.	PART NO.	DESCRIPTION	REF NO.	PART NO.	DESCRIPTION
R613	032-0221-02	1/16W 33 ohm 1%	R924	119-0000-05	1/10W 0 ohm JW	R1158	117-1531-15	1/8W 15k ohm
R615	032-0221-02	1/16W 33 ohm 1%	R925	032-0150-50	1/16W 10k ohm F	R1160	033-0000-05	1/16W 0 ohm
R617	033-4731-15	1/16W 47k ohm J	R926	AQZ0522	1/10W 10k ohm 1%	R1161	032-0221-02	1/16W 33 ohm 1%
R623	032-0221-01	1/16W 47 ohm F	R928	033-0000-05	1/16W 0 ohm	R1162	032-0221-02	1/16W 33 ohm 1%
R632	032-0221-99	1/16W 100 ohm 1%	R1000	033-1041-15	1/16W 100k ohm J	R1167	033-0000-05	1/16W 0 ohm
R633	032-0221-99	1/16W 100 ohm 1%	R1001	032-0210-68	1/10W 220 ohm F	R1168	032-0221-02	1/16W 33 ohm 1%
R634	032-0221-00	1/16W 68 ohm 1%	R1003	032-0210-16	1/10W 1.2k ohm F	R1200	033-1011-15	1/16W 100 ohm J
R635	032-0221-00	1/16W 68 ohm 1%	R1004	032-0210-56	1/10W 22k ohm F	R1201	033-1011-15	1/16W 100 ohm J
R636	032-0221-00	1/16W 68 ohm 1%	R1005	032-0210-57	1/10W 4.7k ohm F	R1202	033-1011-15	1/16W 100 ohm J
R637	032-0221-00	1/16W 68 ohm 1%	R1006	032-0150-50	1/16W 10k ohm F	R1203	033-1011-15	1/16W 100 ohm J
R638	032-0221-00	1/16W 68 ohm 1%	R1007	032-0150-50	1/16W 10k ohm F	R1204	033-1011-15	1/16W 100 ohm J
R655	033-0000-05	1/16W 0 ohm	R1012	032-0131-66	1/8W 100 ohm B	R1205	033-1011-15	1/16W 100 ohm J
R656	033-0000-05	1/16W 0 ohm	R1013	032-0210-56	1/10W 22k ohm F	R1206	033-1011-15	1/16W 100 ohm J
R657	033-0000-05	1/16W 0 ohm	R1014	032-0210-56	1/10W 22k ohm F	R1208	033-1011-15	1/16W 100 ohm J
R658	033-0000-05	1/16W 0 ohm	R1017	032-0221-09	1/16W 33k ohm F	R1209	033-1011-15	1/16W 100 ohm J
R659	033-0000-05	1/16W 0 ohm	R1018	032-0221-09	1/16W 33k ohm F	R1210	033-1011-15	1/16W 100 ohm J
R660	033-0000-05	1/16W 0 ohm	R1019	032-0150-50	1/16W 10k ohm F	R1211	033-1011-15	1/16W 100 ohm J
R661	033-0000-05	1/16W 0 ohm	R1023	032-0140-06	1/10W 100 ohm F	R1212	033-1011-15	1/16W 100 ohm J
R662	032-0221-02	1/16W 33 ohm 1%	R1024	032-0140-06	1/10W 100 ohm F	R1213	033-1011-15	1/16W 100 ohm J
R701	033-0000-05	1/16W 0 ohm	R1025	032-0221-99	1/16W 100 ohm 1%	R1214	033-1011-15	1/16W 100 ohm J
R703	033-0000-05	1/16W 0 ohm	R1026	032-0221-53	1/16W 18k ohm F	R1215	033-1011-15	1/16W 100 ohm J
R707	033-0000-05	1/16W 0 ohm	R1027	032-0248-51	3/4W 20m ohm F	R1216	033-1011-15	1/16W 100 ohm J
R711	032-0221-59	1/16W 220 ohm F	R1028	119-1031-15	1/10W 10k ohm	R1217	033-0000-05	1/16W 0 ohm
R712	032-0221-59	1/16W 220 ohm F	R1029	032-0221-61	1/16W 6.8k ohm F	R1219	033-0000-05	1/16W 0 ohm
R714	032-0221-59	1/16W 220 ohm F	R1030	032-0221-83	1/16W 3.3k ohm F	R1221	033-0000-05	1/16W 0 ohm
R716	032-0221-59	1/16W 220 ohm F	R1031	119-0000-05	1/10W 0 ohm JW	R1222	033-0000-05	1/16W 0 ohm
R718	032-0221-61	1/16W 6.8k ohm F	R1100	033-4731-15	1/16W 47k ohm J	R1223	032-0221-02	1/16W 33 ohm 1%
R719	032-0221-02	1/16W 33 ohm 1%	R1101	032-0221-52	1/16W 1.8k ohm F	R1224	032-0221-02	1/16W 33 ohm 1%
R722	032-0221-59	1/16W 220 ohm F	R1102	032-0210-57	1/10W 4.7k ohm F	R1225	032-0221-02	1/16W 33 ohm 1%
R724	032-0221-59	1/16W 220 ohm F	R1103	032-0221-52	1/16W 1.8k ohm F	R1226	032-0221-02	1/16W 33 ohm 1%
R726	032-0150-54	1/16W 1k ohm F	R1104	032-0221-52	1/16W 1.8k ohm F	R1227	032-0221-02	1/16W 33 ohm 1%
R727	033-0000-05	1/16W 0 ohm	R1106	117-1531-15	1/8W 15k ohm	R1228	032-0221-02	1/16W 33 ohm 1%
R728	033-0000-05	1/16W 0 ohm	R1107	032-0210-56	1/10W 22k ohm F	R1229	032-0221-02	1/16W 33 ohm 1%
R729	032-0221-02	1/16W 33 ohm 1%	R1108	032-0210-59	1/10W 5.6k ohm F	R1230	032-0221-02	1/16W 33 ohm 1%
R730	033-2251-15	1/16W 2.2M ohm J	R1109	117-1531-15	1/8W 15k ohm	R1231	032-0221-02	1/16W 33 ohm 1%
R731	AQZ0491	1/10W 47 ohm 1%	R1110	117-1531-15	1/8W 15k ohm	R1232	032-0221-02	1/16W 33 ohm 1%
R732	032-0106-76	1/10W 30 ohm D	R1112	AQZ0522	1/10W 10k ohm 1%	R1233	032-0221-02	1/16W 33 ohm 1%
R733	033-0000-05	1/16W 0 ohm	R1113	116-2721-15	1/4W 2.7k ohm	R1239	033-1011-15	1/16W 100 ohm J
R734	033-0000-05	1/16W 0 ohm	R1114	AQZ0692	1/3W 1.2k ohm J	R1240	033-1011-15	1/16W 100 ohm J
R735	033-0000-05	1/16W 0 ohm	R1115	116-2721-15	1/4W 2.7k ohm	R1241	033-1011-15	1/16W 100 ohm J
R800	033-1031-15	1/16W 10k ohm J	R1116	116-2721-15	1/4W 2.7k ohm	R1242	119-0000-05	1/10W 0 ohm JW
R801	033-1001-15	1/16W 10 ohm J	R1119	AQZ0522	1/10W 10k ohm 1%	R1243	119-0000-05	1/10W 0 ohm JW
R802	033-1031-15	1/16W 10k ohm J	R1120	AQZ0701	1/8W 1.2k ohm 5%	R1248	033-1011-15	1/16W 100 ohm J
R803	033-1031-15	1/16W 10k ohm J	R1123	032-0210-57	1/10W 4.7k ohm F	R1250	033-1011-15	1/16W 100 ohm J
R804	033-1031-15	1/16W 10k ohm J	R1124	032-0210-57	1/10W 4.7k ohm F	R1251	033-1011-15	1/16W 100 ohm J
R805	033-1031-15	1/16W 10k ohm J	R1125	032-0210-57	1/10W 4.7k ohm F	R1252	033-1011-15	1/16W 100 ohm J
R806	033-2211-15	1/16W 220 ohm J	R1126	032-0210-56	1/10W 22k ohm F	R1253	033-0000-05	1/16W 0 ohm
R807	033-1031-15	1/16W 10k ohm J	R1127	032-0210-56	1/10W 22k ohm F	R1263	033-1011-15	1/16W 100 ohm J
R809	033-1011-15	1/16W 100 ohm J	R1128	032-0210-56	1/10W 22k ohm F	R1264	033-1011-15	1/16W 100 ohm J
R810	033-1031-15	1/16W 10k ohm J	R1129	117-1021-15	1/8W 1k ohm	R1265	033-1011-15	1/16W 100 ohm J
R811	119-0000-05	1/10W 0 ohm JW	R1130	117-1021-15	1/8W 1k ohm	R1267	033-1041-15	1/16W 100k ohm J
R813	119-0000-05	1/10W 0 ohm JW	R1131	117-1021-15	1/8W 1k ohm	R1268	033-1011-15	1/16W 100 ohm J
R814	032-0221-02	1/16W 33 ohm 1%	R1132	117-2211-15	1/8W 220 ohm	R1269	032-0150-50	1/16W 10k ohm F
R815	032-0150-50	1/16W 10k ohm F	R1133	117-2211-15	1/8W 220 ohm	R1270	032-0150-50	1/16W 10k ohm F
R816	032-0150-50	1/16W 10k ohm F	R1135	AQZ0701	1/8W 1.2k ohm 5%	R1272	033-1011-15	1/16W 100 ohm J
R817	032-0150-50	1/16W 10k ohm F	R1136	AQZ0701	1/8W 1.2k ohm 5%	R1273	033-1011-15	1/16W 100 ohm J
R818	032-0150-50	1/16W 10k ohm F	R1137	AQZ0701	1/8W 1.2k ohm 5%	R1277	033-1011-15	1/16W 100 ohm J
R819	032-0221-02	1/16W 33 ohm 1%	R1138	033-0000-05	1/16W 0 ohm	R1278	033-1021-15	1/16W 1k ohm J
R902	033-0000-05	1/16W 0 ohm	R1139	033-0000-05	1/16W 0 ohm	R1279	033-1011-15	1/16W 100 ohm J
R903	033-2211-15	1/16W 220 ohm J	R1140	033-0000-05	1/16W 0 ohm	R1280	033-0000-05	1/16W 0 ohm
R904	033-1031-15	1/16W 10k ohm J	R1141	033-0000-05	1/16W 0 ohm	R1281	033-1011-15	1/16W 100 ohm J
R905	116-2201-15	1/4W 22 ohm	R1143	032-0210-35	1/10W 120 ohm F	R1282	033-1011-15	1/16W 100 ohm J
R906	033-0000-05	1/16W 0 ohm	R1144	032-0210-35	1/10W 120 ohm F	R1283	033-1011-15	1/16W 100 ohm J
R907	033-1021-15	1/16W 1k ohm J	R1145	032-0210-35	1/10W 120 ohm F	R1284	033-1011-15	1/16W 100 ohm J
R908	032-0210-53	1/10W 15k ohm 1%	R1146	032-0210-35	1/10W 120 ohm F	R1285	033-1011-15	1/16W 100 ohm J
R912	033-2211-15	1/16W 220 ohm J	R1147	032-0210-35	1/10W 120 ohm F	R1286	032-0221-02	1/16W 33 ohm 1%
R914	119-0000-05	1/10W 0 ohm JW	R1148	032-0210-35	1/10W 120 ohm F	R1287	032-0221-02	1/16W 33 ohm 1%
R916	033-2211-15	1/16W 220 ohm J	R1149	032-0210-35	1/10W 120 ohm F	R1288	033-1011-15	1/16W 100 ohm J
R918	032-0221-02	1/16W 33 ohm 1%	R1150	032-0210-35	1/10W 120 ohm F	R1290	033-1011-15	1/16W 100 ohm J
R920	033-0000-05	1/16W 0 ohm	R1152	116-0000-05	1/4W 0 ohm JW	R1291	033-0000-05	1/16W 0 ohm
R921	033-1041-15	1/16W 100k ohm J	R1155	032-0221-59	1/16W 220 ohm F	R1293	033-1011-15	1/16W 100 ohm J
R922	032-0221-73	1/16W 2.2k ohm 1%	R1156	119-0000-05	1/10W 0 ohm JW	R1294	033-0000-05	1/16W 0 ohm
R923	033-1041-15	1/16W 100k ohm J	R1157	032-0221-73	1/16W 2.2k ohm 1%	R1300	032-0210-54	1/10W 33k ohm 1%
						R1301	032-0140-54	1/10W 22k ohm F

REF NO.	PART NO.	DESCRIPTION	REF NO.	PART NO.	DESCRIPTION	REF NO.	PART NO.	DESCRIPTION
R1303	032-0140-99	1/10W 39k ohm F	R1456	032-0210-81	1/10W 2.7k ohm F	RN810	050-0156-57	1/16W 10k ohm x4
R1304	032-0140-99	1/10W 39k ohm F	R1457	032-0140-15	1/10W 6.8k ohm F	RN811	050-0156-57	1/16W 10k ohm x4
R1305	032-0221-75	1/16W 47k ohm F	R1458	117-0000-05	1/8W 0 ohm JW	RN812	050-0156-57	1/16W 10k ohm x4
R1306	032-0150-50	1/16W 10k ohm F	R1601	032-0221-99	1/16W 100 ohm 1%	RN813	050-0156-57	1/16W 10k ohm x4
R1307	032-0150-50	1/16W 10k ohm F	R1602	119-0000-05	1/10W 0 ohm JW	RN814	050-0156-57	1/16W 10k ohm x4
R1308	032-0221-75	1/16W 47k ohm F	R1603	032-0221-53	1/16W 18k ohm F	RN815	050-0156-57	1/16W 10k ohm x4
R1309	033-2211-15	1/16W 220 ohm J	R1604	032-0221-83	1/16W 3.3k ohm F	RN816	050-0156-57	1/16W 10k ohm x4
R1310	119-0000-05	1/10W 0 ohm JW	R1605	032-0221-61	1/16W 6.8k ohm F	RN817	050-0156-57	1/16W 10k ohm x4
R1311	033-3331-15	1/16W 33k ohm J	R1606	119-1031-15	1/10W 10k ohm	RN818	050-0156-57	1/16W 10k ohm x4
R1312	033-8221-15	1/16W 8.2k ohm J	R1607	032-0248-51	3/4W 20m ohm F	RN819	050-0156-57	1/16W 10k ohm x4
R1313	032-0221-30	1/16W 150k ohm F	R1663	033-0000-05	1/16W 0 ohm	RN820	050-0156-52	1/16W 100 ohm x4
R1314	033-5621-15	1/16W 5.6k ohm J	R1665	033-0000-05	1/16W 0 ohm	RN821	050-0156-57	1/16W 10k ohm x4
R1315	032-0221-62	1/16W 8.2k ohm F	R1666	032-0221-63	1/16W 12k ohm F	RN822	050-0156-57	1/16W 10k ohm x4
R1316	033-5621-15	1/16W 5.6k ohm J	R1667	033-0000-05	1/16W 0 ohm	RN823	050-0156-57	1/16W 10k ohm x4
R1317	033-5621-15	1/16W 5.6k ohm J	R1668	032-0150-59	1/16W 100k ohm F	RN824	050-0156-57	1/16W 10k ohm x4
R1318	032-0150-50	1/16W 10k ohm F	R1669	033-0000-05	1/16W 0 ohm	RN825	050-0156-57	1/16W 10k ohm x4
R1319	033-1231-15	1/16W 12k ohm J	R1671	033-0000-05	1/16W 0 ohm	RN826	050-0156-57	1/16W 10k ohm x4
R1325	033-2201-15	1/16W 22 ohm J	R1674	119-0000-05	1/10W 0 ohm JW	RN827	050-0156-57	1/16W 10k ohm x4
R1326	033-2201-15	1/16W 22 ohm J	R1676	119-0000-05	1/10W 0 ohm JW	RN828	050-0156-57	1/16W 10k ohm x4
R1327	033-2201-15	1/16W 22 ohm J	R1677	032-0150-59	1/16W 100k ohm F	RN829	050-0156-57	1/16W 10k ohm x4
R1329	119-0000-05	1/10W 0 ohm JW	R1678	032-0150-59	1/16W 100k ohm F	RN830	050-0156-57	1/16W 10k ohm x4
R1333	033-0000-05	1/16W 0 ohm	R1679	033-1031-15	1/16W 10k ohm J	RN831	050-0156-57	1/16W 10k ohm x4
R1345	033-0000-05	1/16W 0 ohm	R1680	033-1031-15	1/16W 10k ohm J	RN900	050-0140-67	1/32W 220 ohm x4J
R1347	032-0140-07	1/10W 11k ohm F	R1690	119-0000-05	1/10W 0 ohm JW	VR1000	001-9210-50	AVR-M1608C270 MTAAD
R1348	032-0140-07	1/10W 11k ohm F	RN101	050-0156-56	1/16W 4.7k ohm x4	VR1001	001-9210-50	AVR-M1608C270 MTAAD
R1349	033-0000-05	1/16W 0 ohm	RN102	050-0156-57	1/16W 10k ohm x4	VR1100	001-9210-50	AVR-M1608C270 MTAAD
R1350	033-0000-05	1/16W 0 ohm	RN103	050-0156-59	1/16W 33 ohm x4	VR1300	001-9210-50	AVR-M1608C270 MTAAD
R1351	032-0148-51	1/10W 47k ohm D	RN104	050-0156-59	1/16W 33 ohm x4	VR1301	001-9210-50	AVR-M1608C270 MTAAD
R1352	032-0148-51	1/10W 47k ohm D	RN105	050-0156-59	1/16W 33 ohm x4	VR1302	001-9210-50	AVR-M1608C270 MTAAD
R1353	032-0148-51	1/10W 47k ohm D	RN106	050-0156-59	1/16W 33 ohm x4	VR1303	001-9210-50	AVR-M1608C270 MTAAD
R1354	032-0148-51	1/10W 47k ohm D	RN107	050-0140-51	1/32W 22 ohm x4J	VR1304	001-9210-50	AVR-M1608C270 MTAAD
R1355	032-0148-51	1/10W 47k ohm D	RN108	050-0140-51	1/32W 22 ohm x4J	X600	061-3593-80	NX3225GA 48MHz
R1356	032-0148-51	1/10W 47k ohm D	RN109	050-0140-51	1/32W 22 ohm x4J	X700	061-3581-90	24.576MHz
R1357	032-0148-51	1/10W 47k ohm D	RN110	050-0140-51	1/32W 22 ohm x4J	X800	BLZ0048	NX8045GB(4M)
R1358	032-0148-51	1/10W 47k ohm D	RN111	050-0140-51	1/32W 22 ohm x4J	X1600	061-3580-90	12MHz
R1359	033-0000-05	1/16W 0 ohm	RN112	050-0140-51	1/32W 22 ohm x4J	ZD901	060-8107-50	SURGE PROTECTOR
R1360	033-0000-05	1/16W 0 ohm	RN200	050-0156-59	1/16W 33 ohm x4	ZD902	001-4329-50	RSBC6.8CS
R1361	032-0150-50	1/16W 10k ohm F	RN202	050-0156-59	1/16W 33 ohm x4	ZD1000	CDZ0031	UDZSFTE-1716B
R1362	032-0221-10	1/16W 15k ohm F	RN203	050-0140-70	1/32W 10 ohm x4J	ZD1001	001-4329-50	RSBC6.8CS
R1363	032-0150-50	1/16W 10k ohm F	RN204	050-0140-70	1/32W 10 ohm x4J	ZD1002	001-4329-50	RSBC6.8CS
R1364	032-0150-50	1/16W 10k ohm F	RN205	050-0140-70	1/32W 10 ohm x4J	ZD1100	CDZ0031	UDZSFTE-1716B
R1365	032-0150-50	1/16W 10k ohm F	RN206	050-0140-70	1/32W 10 ohm x4J	ZD1101	CDZ0031	UDZSFTE-1716B
R1403	033-1041-15	1/16W 100k ohm J	RN207	050-0156-59	1/16W 33 ohm x4	ZD1104	CDZ0031	UDZSFTE-1716B
R1409	032-0210-84	1/10W 150k ohm F	RN208	050-0156-57	1/16W 10k ohm x4	ZD1105	001-4305-20	UDZSTE-17 5.6B
R1410	032-0221-62	1/16W 8.2k ohm F	RN209	050-0156-57	1/16W 10k ohm x4	ZD1106	001-4305-20	UDZSTE-17 5.6B
R1413	117-0000-05	1/8W 0 ohm JW	RN210	050-0156-57	1/16W 10k ohm x4	ZD1107	001-4305-20	UDZSTE-17 5.6B
R1416	033-0000-05	1/16W 0 ohm	RN211	050-0156-57	1/16W 10k ohm x4	ZD1200	001-4305-20	UDZSTE-17 5.6B
R1418	033-1041-15	1/16W 100k ohm J	RN300	050-0156-57	1/16W 10k ohm x4	ZD1301	CDZ0062	ZD_HZC 27-E
R1422	033-0000-05	1/16W 0 ohm	RN301	050-0156-57	1/16W 10k ohm x4	ZD1606	001-4329-50	RSBC6.8CS
R1423	033-0000-05	1/16W 0 ohm	RN302	050-0156-57	1/16W 10k ohm x4	ZD1607	001-4329-50	RSBC6.8CS
R1425	033-0000-05	1/16W 0 ohm	RN303	050-0156-57	1/16W 10k ohm x4	ZD1608	001-4329-50	RSBC6.8CS
R1426	033-0000-05	1/16W 0 ohm	RN304	050-0156-57	1/16W 10k ohm x4	ZD1609	001-4329-50	RSBC6.8CS
R1430	117-0000-05	1/8W 0 ohm JW	RN501	050-0156-59	1/16W 33 ohm x4	PWB	039-4345-00	PWB(WITHOUT COMPONENTS)
R1431	033-0000-05	1/16W 0 ohm	RN606	050-0156-63	1/16W 47k ohm x4			
R1432	033-4731-15	1/16W 47k ohm J	RN700	050-0156-59	1/16W 33 ohm x4			
R1433	032-0221-73	1/16W 2.2k ohm 1%	RN701	050-0156-59	1/16W 33 ohm x4			
R1434	032-0221-62	1/16W 8.2k ohm F	RN801	050-0156-57	1/16W 10k ohm x4			
R1435	032-0221-62	1/16W 8.2k ohm F	RN802	050-0156-57	1/16W 10k ohm x4			
R1442	033-1091-15	1/16W 1 ohm	RN803	050-0156-57	1/16W 10k ohm x4			
R1443	032-0221-04	1/16W 10 ohm F	RN805	050-0156-57	1/16W 10k ohm x4			
R1453	033-1041-15	1/16W 100k ohm J	RN806	050-0156-57	1/16W 10k ohm x4			
R1454	033-4731-15	1/16W 47k ohm J	RN807	050-0156-57	1/16W 10k ohm x4			
R1455	032-0140-89	1/10W 47k ohm F	RN808	050-0156-57	1/16W 10k ohm x4			
			RN809	050-0156-57	1/16W 10k ohm x4			

XM PWB(B4) section

REF NO.	PART NO.	DESCRIPTION	REF NO.	PART NO.	DESCRIPTION	REF NO.	PART NO.	DESCRIPTION
ANT1	092-2262-02	ANT-RECEPT	D1	001-2412-90	RR264M-400	R10	033-0000-05	1/16W 0 ohm
C2	046-1022-58	50V 1000pF	FE1	941-0261-01	TUNER PACK	R22	032-0162-50	1/10W 0.51 ohm
C3	046-1022-58	50V 1000pF			(for QY8150NA)	R43	033-3311-15	1/16W 330 ohm J
C4	046-1022-58	50V 1000pF	FE1	941-0261-51	TUNER PACK	R46	033-1021-15	1/16W 1k ohm J
C6	043-5703-90	50V 0.001uF			(for QY8151NA)	R48	033-1021-15	1/16W 1k ohm J
C7	043-7701-90	2.2uF	IC1	051-3374-90	NJM2386ADL3-05-TE1	R51	033-1021-15	1/16W 1k ohm J
C8	042-4025-90	16V 47uF				R54	033-1021-15	1/16W 1k ohm J
C9	042-1753-90	16V 100uF M	L2	010-3104-53	220 ohm/100MHz	R57	033-0000-05	1/16W 0 ohm
C10	046-1042-78	0.1uF K B	L3	010-3104-53	220 ohm/100MHz	R58	033-3301-15	1/16W 33 ohm J
C11	046-1042-78	0.1uF K B	L4	010-3104-53	220 ohm/100MHz	R59	033-3301-15	1/16W 33 ohm J
C12	046-1022-58	50V 1000pF	NF5	060-3115-51	CKD310JB1C224	R60	033-1011-15	1/16W 100 ohm J
C13	046-1022-58	50V 1000pF			ST	R62	033-2221-15	1/16W 2.2k ohm J
C17	045-1011-50	100pFJ CH	P1	076-3062-50	50P	R63	033-1031-15	1/16W 10k ohm J
C18	045-1801-50	18pFJ CH	R8	117-0000-05	1/8W 0 ohm JW	PWB	039-4276-01	PWB(WITHOUT COMPONENTS)
C19	045-1801-50	18pFJ CH	R9	117-0000-05	1/8W 0 ohm JW			

SD PWB(B5) section

REF NO.	PART NO.	DESCRIPTION	REF NO.	PART NO.	DESCRIPTION	REF NO.	PART NO.	DESCRIPTION
C1303	043-0559-90	6.3V 22uF	R1301	032-0221-02	1/16W 33 ohm 1%	R1306	033-0000-05	1/16W 0 ohm
C1304	168-1032-55	0.01uF K	R1302	033-0000-05	1/16W 0 ohm	R1307	119-0000-05	1/10W 0 ohm JW
CN1300	074-2273-65	15P	R1303	032-0221-02	1/16W 33 ohm 1%	PWB	039-4348-00	PWB(WITHOUT COMPONENTS)
J1300	074-8014-90	SD card connector	R1304	032-0221-02	1/16W 33 ohm 1%			
R1300	032-0221-02	1/16W 33 ohm 1%	R1305	032-0221-02	1/16W 33 ohm 1%			