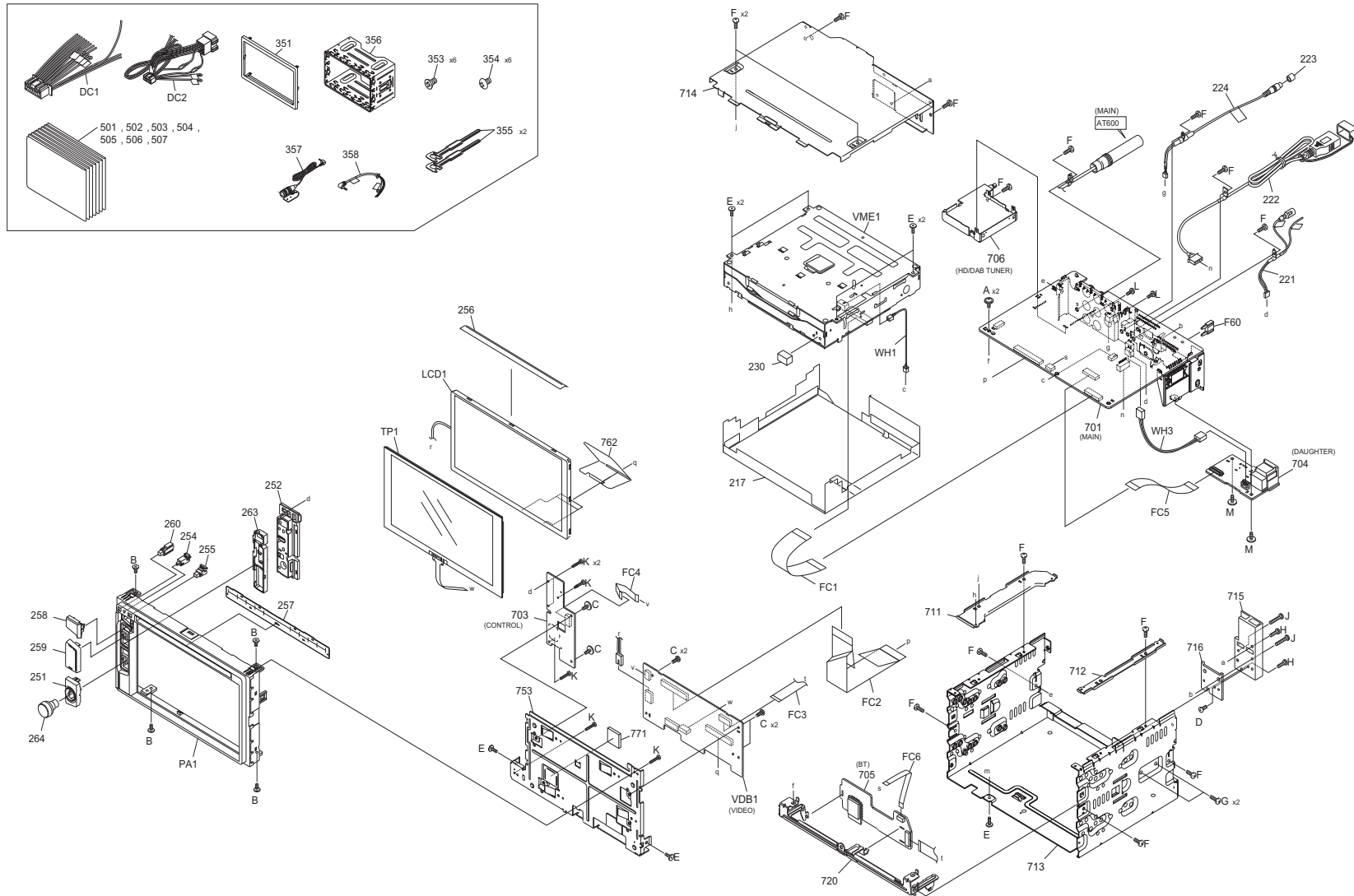


EXPLODED VIEW (UNIT)

Block No.M1MM



Parts with the exploded numbers larger than 700 are not supplied.

created date:2016-12-28

MODEL	MARK	MODEL	MARK	MODEL	MARK	MODEL	MARK
DDX394	K0	DDX4017BT	E2	DDX4017BT	X1	DDX4017BT1R	Q1
DDX4017DAB	E1	DDX574BH	K2	DDX594	K1		

Safe	Symbol No.	Parts No.	Parts Name	Description	QTY	Local
------	------------	-----------	------------	-------------	-----	-------

EXPLODED VIEW (UNIT) <M1MM>

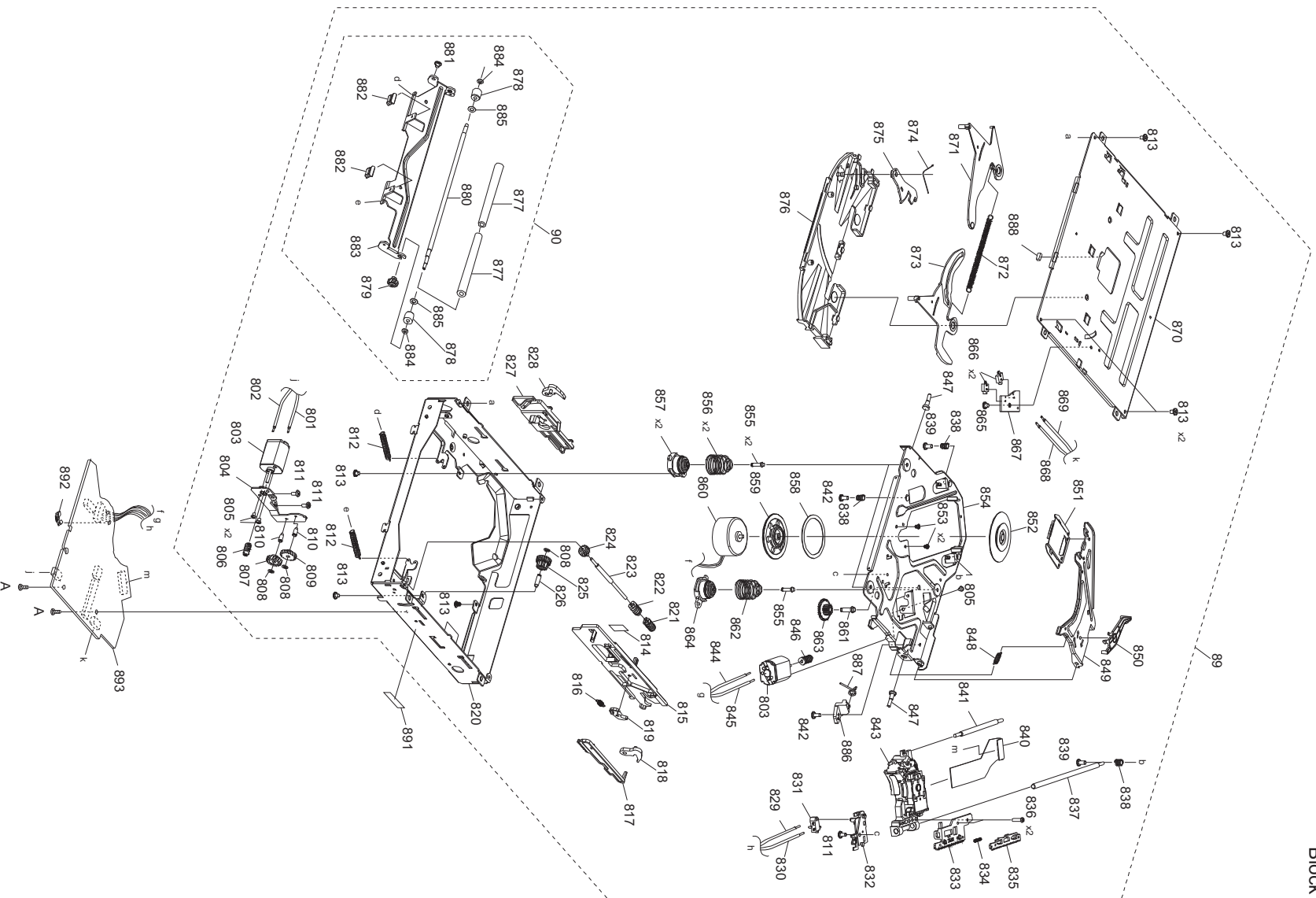
DC1	E3A-0340-00	DC CORD			1	K0,X1,K2,K1
DC2	E3A-0341-00	DC CORD			1	E2,Q1,E1
VDB1	CB-XJ8038K00N	VIDEO PWB ASSY	XJ8-038K-00		1	K0,K1
VDB1	CB-XJ8038K04N	VIDEO PWB ASSY	XJ8-038K-04		1	E2,X1,Q1,E1,K2
F60	FZB10BT-100	BLADE FUSE			1	
FC1	E3F-0147-00	FLAT CABLE			1	
FC2	E3G-0046-00	FFC WIRE			1	
FC3	E3G-0044-00	FFC WIRE			1	
FC4	E3F-0105-00	FLAT CABLE			1	
FC5	E3F-0104-00	FLAT CABLE			1	K0,K2,K1
FC6	EF0AA052208BC	FFC WIRE			1	E2,X1,Q1,E1
FC6	EF0AA0508X6AC	FFC WIRE			1	
LCD1	B3H-0014-10	LCD			1	K0
PA1	A6C-0050-05	PANEL			1	E2,X1,Q1
PA1	A6C-0050-08	PANEL			1	E1
PA1	A6C-0050-07	PANEL			1	K2
PA1	A6C-0050-06	PANEL			1	K1
PA1	A6C-0050-04	PANEL			1	
TP1	W0C-0197-00	TOUCH PANEL			1	
VME1	XJU-014W-01	MECHANISM ASSY			1	
WH1	WJN0345-001A-E	E-SH C WIRE C-C			1	
WH3	WJU1273-001A-E	E-SI C WIRE C-C			1	K0,K2,K1
A	GE40377-002A	SPECIAL SCREW			2	
B	LV446159-005A	MINI SCREW			4	
C	LVA4615-003A	SPECIAL SCREW			6	
D	OYSDSP2610ZA	SCREW	M2.6 x 10mm		1	
E	OYSDST2006ZA	TAP SCREW	M2.6 x 6mm		7	
F	OYSDST2606ZA	TAP SCREW	M2.6 x 6mm		13	K0,X1,K2,K1
F	OYSDST12606ZA	TAP SCREW	M2.6 x 6mm		12	E2,Q1
F	OYSDST12606ZA	TAP SCREW	M2.6 x 6mm		14	E1
G	OYSDST2610ZA	TAP SCREW	M2.6 x 10mm		2	
H	OYSDST2614ZA	TAP SCREW	M2.6 x 14mm		2	
J	OYSDST2620ZA	TAP SCREW	M2.6 x 20mm		2	
K	VKZ4777-015	MINI SCREW			6	
L	OYSDSF2608ZA	TAP SCREW			2	
L	GE40377-002A	SPECIAL SCREW			2	
M	FOG-0134-00	SHIELDING COVER			1	
217	E3A-0045-01	CORD W. CON.			1	
221	E3A-0173-01	USB CORD			1	
222	E3A-0173-01	USB CORD			1	
223	GE40101-001A	PIN CAP			1	K0,X1,K2,K1
224	E3A-0377-00	CORD W. CON.			1	K0,X1,K2,K1
230	G1D-0034-00	CONDUCT CUSHION			1	
251	A2B-0008-14	DRESSING PANEL			1	
251	A2B-0008-0B	DRESSING PANEL			1	K0,E2,X1,Q1,E1,K1
252	B1K-0027-10	LIGHTING B ASSY			1	K2
254	K2A-0001-00	KNOB			1	
255	K2A-0002-00	KNOB			1	
256	FOK-0044-10	SHEET			1	
257	F1K-0005-00	BLIND PLATE			1	
258	K2A-0003-02	KNOB			1	
259	K2K-0140-0Q	KNOB ASSY			1	K0,X1,K1
259	K2K-0140-0D	KNOB ASSY			1	E2,Q1,E1
259	K2K-0140-0P	KNOB ASSY			1	K2
260	W1A-0003-00	LENS			1	
263	K2K-0112-11	KNOB BASE			1	
264	K2K-0120-10	KNOB ASSY			1	
351	B9H-0001-00	ESCUOTCHEON			1	
353	OYSSSP5008ZA	SCREW			6	K0,X1,K2,K1
354	OYSTSPP5008ZA	SCREW	M5 x 8mm		6	K0,X1,K2,K1
355	D1A-0007-00	LEVER	M5 x 8mm		2	K0,E2,Q1,E1,K2,K1
356	J2C-0006-00	MOUNTING ASSY			1	K0,E2,Q1,E1,K2,K1
357	QAN0126-001	MICROPHONE			1	
358	QAM1419-001	CAR CABLE			1	X1
501	B5A-1580-00	INST MANUAL	ENG		1	K0,K2,K1
501	B5A-1596-00	INST MANUAL	ENG		1	E2,Q1,E1
501	B5A-1597-00	INST MANUAL	ENG		1	X1
502	B5A-1580-01	INST MANUAL	FRE		1	K0,K2,K1
502	B5A-1596-01	INST MANUAL	FRE		1	E2,E1
502	B5A-1580-07	INST MANUAL	RUS		1	Q1
503	B5A-1596-02	INST MANUAL	SPA		1	K0,K2,K1
503	B5A-1596-02	INST MANUAL	GER		1	E2,E1
504	B5A-1596-08	INST MANUAL	UKR		1	Q1
504	B5A-1596-03	INST MANUAL	DUT		1	E2,E1
505	B5A-1596-04	INST MANUAL	TTA		1	E2,E1
506	B5A-1596-05	INST MANUAL	SPA		1	E2,E1
507	B5A-1596-06	INST MANUAL	POR		1	E2,E1
701		MAIN PWB ASSY	NO SERVICE PART		1	K0
701		MAIN PWB ASSY	NO SERVICE PART		1	E2
701		MAIN PWB ASSY	NO SERVICE PART		1	X1
701		MAIN PWB ASSY	NO SERVICE PART		1	Q1
701		MAIN PWB ASSY	NO SERVICE PART		1	
701		MAIN PWB ASSY	NO SERVICE PART		1	E1
701		MAIN PWB ASSY	NO SERVICE PART		1	K2
701		MAIN PWB ASSY	NO SERVICE PART		1	E1
703		CONTROL PWB ASSY	NO SERVICE PART		1	K1
704		DAUGHTER PWB ASSY	NO SERVICE PART		1	K0,K2,K1
704		DAUGHTER PWB ASSY	NO SERVICE PART		1	E2,X1,E1
704		DAUGHTER PWB ASSY	NO SERVICE PART		1	Q1
705		BT PWB ASSY	NO SERVICE PART		1	K0,E2,X1,Q1,E1
705		BT PWB ASSY	NO SERVICE PART		1	K2,K1
706		DAB TUNER PWB ASSY	NO SERVICE PART		1	E1

MODEL	MARK	MODEL	MARK	MODEL	MARK	MODEL	MARK
DDX394	K0	DDX4017BT	E2	DDX4017BT	X1	DDX4017BT1R	Q1
DDX4017DAB	E1	DDX574BH	K2	DDX594	K1		

Safe	Symbol No.	Parts No.	Parts Name	Description	QTY	
					Local	
	706		HD TUNER PWB ASSY	NO SERVICE PART	1	K2,K1
	711		BRACKET	NO SERVICE PART	1	
	712		BRACKET	NO SERVICE PART	1	
	713		CHASSIS	NO SERVICE PART	1	
	714		TOP PLATE	NO SERVICE PART	1	
	715		HEAT SINK	NO SERVICE PART	1	
	716		HEAT SINK	NO SERVICE PART	1	
	720		STAY	NO SERVICE PART	1	
	753		BRACKET ASSY	NO SERVICE PART	1	
	762		SHEET	NO SERVICE PART	1	
	771		COOL SHEET	NO SERVICE PART	1	

EXPLODED VIEW (DVD MECHANISM: XJJ-014W-01)

Block No. MJMM



Parts with the exploded numbers larger than 800 are not supplied.

MODEL	MARK	MODEL	MARK	MODEL	MARK	MODEL	MARK
DDX394	K0	DDX4017BT	E2	DDX4017BT	X1	DDX4017BT1R	Q1
DDX4017DAB	E1	DDX574BH	K2	DDX594	K1		

Safe	Symbol No.	Parts No.	Parts Name	Description	QTY	Local
------	------------	-----------	------------	-------------	-----	-------

EXPLODED VIEW (DVD MECHANISM: XJJ-0140-1) <MJMM>

A	89	LV44615-001A	SPECIAL SCREW		2	
	90	DDA-0010-01	DVD DRIVE		1	
	801		ROLLAR ASSY	NO SERVICE PART	1	
	802		LEAD	NO SERVICE PART	1	
	803		SLED MOTOR	NO SERVICE PART	1	
	804		MOTOR BRACKET	NO SERVICE PART	2	
	805		SCREW	NO SERVICE PART	1	
	806		MOTOR WORM	NO SERVICE PART	3	
	807		IDLER WHEEL A	NO SERVICE PART	1	
	808		WASHER	NO SERVICE PART	1	
	809		IDLER WHEEL B	NO SERVICE PART	3	
	810		IDLER WHEEL PIN	NO SERVICE PART	2	
	811		SCREW	NO SERVICE PART	2	
	812		UP LEVER SPRING	NO SERVICE PART	2	
	813		SCREW	NO SERVICE PART	7	
	814		CUSHION	NO SERVICE PART	1	
	815		LEVER R	NO SERVICE PART	1	
	816		SUB SPRING R	NO SERVICE PART	1	
	817		SUB LEVER R	NO SERVICE PART	1	
	818		LOCK LEVER R	NO SERVICE PART	1	
	819		LOCK LEVER	NO SERVICE PART	1	
	820		MAIN SHAFTS	NO SERVICE PART	1	
	821		DRIVING WORM	NO SERVICE PART	1	
	822		ROLLER WORM	NO SERVICE PART	1	
	823		WORM SHAFT	NO SERVICE PART	1	
	824		LOAD GEAR	NO SERVICE PART	1	
	825		DRIVING GEAR	NO SERVICE PART	1	
	826		DRIVING GEAR PIN	NO SERVICE PART	1	
	827		LEVER L	NO SERVICE PART	1	
	828		LOCK LEVER L	NO SERVICE PART	1	
	829		LEAD	NO SERVICE PART	1	
	830		LEAD	NO SERVICE PART	1	
	831		INNER SWITCH	NO SERVICE PART	1	
	832		PICK-UP GUIDER	NO SERVICE PART	1	
	833		SLED RACK	NO SERVICE PART	1	
	834		SLED RACK SPRING	NO SERVICE PART	1	
	835		SUB SLED RACK	NO SERVICE PART	1	
	836		SCREW	NO SERVICE PART	2	
	837		MAIN SHAFT A	NO SERVICE PART	1	
	838		JUDGEMENT SPRING	NO SERVICE PART	3	
	839		SCREW	NO SERVICE PART	2	
	840		PC	NO SERVICE PART	1	
	841		MAIN SHAFT B	NO SERVICE PART	1	
	842		SCREW	NO SERVICE PART	1	
	843		PICK-UP	NO SERVICE PART	2	
	844		LEAD	NO SERVICE PART	1	
	845		LEAD	NO SERVICE PART	1	
	846		SLED WORM	NO SERVICE PART	1	
	847		PB LOCK PIN	NO SERVICE PART	1	
	848		CHUCK SPRING	NO SERVICE PART	2	
	849		CHUCK ARM	NO SERVICE PART	1	
	850		PUSH LEVER	NO SERVICE PART	1	
	851		CHUCK PLATE	NO SERVICE PART	1	
	852		CLAMP PLATE	NO SERVICE PART	1	
	853		SCREW	NO SERVICE PART	2	
	854		PICK-UP BASE	NO SERVICE PART	1	
	855		DAMPER PIN	NO SERVICE PART	3	
	856		DAMPER SPRING L	NO SERVICE PART	2	
	857		DAMPER L	NO SERVICE PART	2	
	858		RIBBAND	NO SERVICE PART	1	
	859		TURN TABLE	NO SERVICE PART	1	
	860		SPINDER MOTOR	NO SERVICE PART	1	
	861		SLED GEAR SHAFT	NO SERVICE PART	1	
	862		DAMPER SPRING B	NO SERVICE PART	1	
	863		SLED GEAR	NO SERVICE PART	1	
	864		DAMPER B	NO SERVICE PART	1	
	865		SCREW	NO SERVICE PART	1	
	866		SWITCK	NO SERVICE PART	2	
	867		PCB	NO SERVICE PART	1	
	868		LEAD	NO SERVICE PART	1	
	869		LEAD	NO SERVICE PART	1	
	870		TOP COVER	NO SERVICE PART	1	
	871		DISC ARM L	NO SERVICE PART	1	
	872		DISC ARM SPRING	NO SERVICE PART	1	
	873		DISC ARM R	NO SERVICE PART	1	
	874		DISC ARM LOCKER	NO SERVICE PART	1	
	875		SPRING	NO SERVICE PART	1	
	876		DISC ARM LOCKER	NO SERVICE PART	1	
	877		TOP GUIDE	NO SERVICE PART	1	
	878		ROLLER L	NO SERVICE PART	2	
	879		ROLLER SHAFT	NO SERVICE PART	2	
	880		ROLLER GEAR	NO SERVICE PART	1	
	881		ROLLER SHAFT	NO SERVICE PART	1	
	882		SCREW	NO SERVICE PART	1	
	883		PROTOSCT COVER	NO SERVICE PART	2	
	884		UP LEVER	NO SERVICE PART	1	
	885		WASHER	NO SERVICE PART	2	
	886		SUB CHUCK SPRING	NO SERVICE PART	2	

MODEL	MARK	MODEL	MARK	MODEL	MARK	MODEL	MARK
DDX394	K0	DDX4017BT	E2	DDX4017BT	X1	DDX4017BTTR	Q1
DDX4017DAB	E1	DDX574BH	K2	DDX594	K1		

Safe	Symbol No.	Parts No.	Parts Name	Description	QTY	Local
	887		BRACHET	NO SERVICE PART	1	
	888		SUB CHUCK SPRING	NO SERVICE PART	1	
	891		TOP CUSHION	NO SERVICE PART	1	
	892		SPACER(H)	NO SERVICE PART	1	
	893		WIRE CLAMP	NO SERVICE PART	1	
			DVD PROCESSOR U	NO SERVICE PART	1	

MODEL	MARK	MODEL	MARK	MODEL	MARK	MODEL	MARK
DDX394	K0	DDX4017BT	E2	DDX4017BT	X1	DDX4017BT1R	Q1
DDX4017DAB	E1	DDX574BH	K2	DDX594	K1		

Safe	Symbol No.	Parts No.	Parts Name	Description	QTY	Local
------	------------	-----------	------------	-------------	-----	-------

MAIN PWB ASSY (XJ1-169X-0X) <XJ1>

IC80	TC7USB42FT	MOS IC	1			
IC100	BH7673G-W	IC	1			
IC130	NUM2535V-X	IC	1			
IC131	NUM2335V-X	IC	1			
IC132	NUM2561F1	BIPOLAR IC	1			
IC160	BD37069FV-M	ANALOG IC	1			
IC161	NJM11100F-1	ANALOG IC	1			E2,X1,Q1,E1,K2
IC162	NJM4190R-A	ANALOG IC	1			K0,K1
IC220	NUM4565E	BIPOLAR IC	1			
IC243	NJM11100F-1	ANALOG IC	1			
IC300	JCV8034	IC	1			
IC430	W3F-0170-00	IC(MCU)	1			E1
IC470	NJM2584AM-X	ANALOG IC	1			E2,X1,E1
IC500	MP9942AGJ	ANALOG IC	1			
IC501	BD00H45WEFJ	ANALOG IC	1			
IC502	BD00H45WEFJ	ANALOG IC	1			
IC540	MP9942AGJ	ANALOG IC	1			
IC580	LM3481MMX-X	IC	1			
IC600	SI4763-442-GM	MOS IC	1			K0,E2,X1,Q1
IC720	W3F-0246-00	MOS IC	1			
IC830	R1EX24016ATAA-X	IC	1			
IC840	BU4824F-W	IC	1			
IC841	TC7SH17FU	MOS IC	1			K0,E2,X1,E1,K2,K1
IC842	TC7SET08FU-J-X	IC(DIGITAL)	1			K0,E2,X1,E1,K2,K1
IC843	TC7SH17FU	MOS IC	1			K0,K2,K1
IC844	TC7SET08FU-J-X	IC(DIGITAL)	1			K0,K2,K1
IC860	MP9942AGJ	ANALOG IC	1			
IC861	MP9942AGJ	ANALOG IC	1			
IC890	BD2242G-G	MOS IC	1			
IC900	L/3684NPVD	IC	1			
IC901	XC6201P502PR-X	IC	1			
IC930	TC7SET08FU-J-X	IC(DIGITAL)	1			
Q161	LSCR523UBFS8	TRANSISTOR	1			
Q162	LSCR523UBFS8	TRANSISTOR	1			
Q220	LSCR523UBFS8	TRANSISTOR	1			
Q230	LSCR523UBFS8	TRANSISTOR	1			
Q270	IMX9	DUAL TRANSISTOR	1			
Q320	KRA306-P	DUAL TRANSISTOR	1			
Q340	IMX9	DUAL TRANSISTOR	1			
Q360	IMX9	DUAL TRANSISTOR	1			
Q410	LSCR523UBFS8	TRANSISTOR	1			
Q411	LSCR523UBFS8	TRANSISTOR	1			
Q412	KRA307E-P	TRANSISTOR	1			
Q413	KRC403E-P	DIGI TRANSISTOR	1			
Q540	KRC407E-P	DIGI TRANSISTOR	1			
Q580	RT0035N03-W	MOS FET	1			
Q650	KRA306E-P	MOS FET	1			
Q720	L/SAR523UBFS8	TRANSISTOR	1			
Q830	KRA302E-P	DIGI TRANSISTOR	1			
Q831	KRC407E-P	DIGI TRANSISTOR	1			
Q832	KRC407E-P	DIGI TRANSISTOR	1			
Q920	KRA302E-P	DIGI TRANSISTOR	1			
Q921	KRC404E-P	DIGI TRANSISTOR	1			
Q922	MTM9814D-0-X	TRANSISTOR	1			
Q960	KRC407E-P	DIGI TRANSISTOR	1			
Q951	LSCR523UBFS8	TRANSISTOR	1			
Q952	LSCR523UBFS8	TRANSISTOR	1			
Q970	KRC407E-P	DIGI TRANSISTOR	1			
Q971	KRC407E-P	DIGI TRANSISTOR	1			
Q972	LSCR523UBFS8	TRANSISTOR	1			
Q973	L/SAR523UBFS8	TRANSISTOR	1			
Q974	LSCR523UBFS8	TRANSISTOR	1			
Q975	LTA014TUB-X	DIGI TRANSISTOR	1			
Q976	L/SAR523UBFS8	TRANSISTOR	1			
Q990	RE1C002ZP-X	MOS FET	1			E2,X1,Q1,E1
Q991	RE1C002ZP-X	MOS FET	1			E2,X1,Q1,E1
Q992	KRC407E-P	DIGI TRANSISTOR	1			E2,X1,Q1,E1
Q1010	KRC407E-P	DIGI TRANSISTOR	1			
D61	GN3XB	DIODE	1			
D160	UDZV6.2B	ZENER DIODE	1			
D220	UDZV5.6B	ZENER DIODE	1			
D270	DAP202U-X	ZENER DIODE	1			
D271	DAP202U-X	ZENER DIODE	1			
D272	DAP202U-X	ZENER DIODE	1			
D382	SM5818PL	SI DIODE	1			E2,E1
D383	SM5818PL	SCHOTTKY DIODE	1			
D400	UDZV6.2B	SCHOTTKY DIODE	1			
D410	1SS355VM	ZENER DIODE	1			
D411	1SS355VM	DIODE	1			
D430	UDZV3.3B	DIODE	1			
D501	SM5818PL	ZENER DIODE	1			
D540	1SS355VM	SCHOTTKY DIODE	1			
D541	1SS355VM	DIODE	1			
D580	RB160L-40	DIODE	1			
D581	1SS355VM	SCHOTTKY DIODE	1			
D582	1SS355VM	DIODE	1			
D830	1SS355VM	DIODE	1			
D900	SM5818PL	SCHOTTKY DIODE	1			
D901	SK344-L	SCHOTTKY DIODE	1			
D920	UDZV18B	ZENER DIODE	1			

MODEL	MARK	MODEL	MARK	MODEL	MARK	MODEL	MARK
DDX394	K0	DDX4017BT	E2	DDX4017BT	X1	DDX4017BT1R	Q1
DDX4017DAB	E1	DDX574BH	K2	DDX594	K1		

Safe	Symbol No.	Parts No.	Parts Name	Description	QTY	Local
	D950	UDZV6.2B	ZENER DIODE	220PF 50V K	1	
	D951	UDZV1.98B	ZENER DIODE	220PF 50V K	1	
	D970	UDZV6.2B	ZENER DIODE	220PF 50V K	1	
	D990	1SS355VM	DIODE	220PF 50V K	1	E2,X1,Q1,E1
	D991	1SS355VM	DIODE	220PF 50V K	1	E2,X1,Q1,E1
	C60	CK73GXR1H221K	C CAPACITOR	220PF 50V K	1	
	C61	CK73GXR1H221K	C CAPACITOR	220PF 50V K	1	
	C62	CK73GXR1H221K	C CAPACITOR	220PF 50V K	1	
	C63	CK73GXR1H221K	C CAPACITOR	220PF 50V K	1	
	C68	CK73GXR1H221K	C CAPACITOR	220PF 50V K	1	
	C69	CK73GXR1H221K	C CAPACITOR	220PF 50V K	1	
	C70	CK73GXR1H221K	C CAPACITOR	220PF 50V K	1	
	C71	CK73GXR1H221K	C CAPACITOR	220PF 50V K	1	
	C72	CD04EU1C222M1	E CAPACITOR	2200UF 16V M	1	
	C80	CK73HXR1H472K	C CAPACITOR	4700PF 50V K	1	
	C81	CK73HXR1H471K	C CAPACITOR	470PF 50V K	1	
	C82	CK73HXR1C103K	C CAPACITOR	0.01UF 16V K	1	
	C83	CK73XR0J106K	C CAPACITOR	10UF 6.3V K	1	
	C100	CK73GXR1C105K	C CAPACITOR	1UF 16V K	1	
	C102	CK73GXR0J106M	C CAPACITOR	10UF 6.3V M	1	
	C104	CK73GXR1C105K	C CAPACITOR	1UF 16V K	1	
	C105	CK73HXR1H102K	C CAPACITOR	1000PF 50V K	1	
	C106	CK73HXR1H102K	C CAPACITOR	1000PF 50V K	1	
	C107	CK73HXR1A104K	C CAPACITOR	0.1UF 10V K	1	
	C108	CK73GXR1C105K	C CAPACITOR	1UF 16V K	1	
	C109	CK73GXR1C105K	C CAPACITOR	1UF 16V K	1	
	C130	CK73GXR1C104K	C CAPACITOR	1UF 16V K	1	K0,X1,K2,K1
	C131	CK73GXR1C104K	C CAPACITOR	0.1UF 10V K	1	
	C132	CK73GXR1C105K	C CAPACITOR	1UF 16V K	1	
	C133	CK73GXR1C105K	C CAPACITOR	1UF 16V K	1	
	C134	CK73HXR1A104K	C CAPACITOR	0.1UF 10V K	1	
	C135	CD04AR1A471M2	E CAPACITOR	470UF 10V M	1	
	C136	CK73GXR1C104K	C CAPACITOR	0.1UF 10V K	1	
	C137	CK73GXR1C105K	C CAPACITOR	1UF 16V K	1	
	C138	CK73HXR1A104K	C CAPACITOR	0.1UF 10V K	1	
	C139	CK73GXR1C105K	C CAPACITOR	1UF 16V K	1	
	C160	CK73XR1C106K	C CAPACITOR	10UF 16V K	1	
	C161	CK73XR1C106K	C CAPACITOR	10UF 16V K	1	
	C162	CE32BJ1V4R7M	E CAPACITOR	4.7UF 35V M	1	
	C163	CE32BJ1V4R7M	E CAPACITOR	4.7UF 35V M	1	
	C164	CE32BJ1V4R7M	E CAPACITOR	4.7UF 35V M	1	
	C165	CE32BJ1V4R7M	E CAPACITOR	4.7UF 35V M	1	
	C166	CE32BJ1V4R7M	E CAPACITOR	4.7UF 35V M	1	
	C167	CE32BJ1V4R7M	E CAPACITOR	4.7UF 35V M	1	
	C168	CK73FXR1C475K	C CAPACITOR	4.7UF 16V K	1	
	C169	CK73FXR1C475K	C CAPACITOR	4.7UF 16V K	1	
	C170	CE32BY1C470M	E CAPACITOR	47UF 16V M	1	
	C171	CE32CL1C100M	E CAPACITOR	10UF 16V M	1	
	C172	CE32BM1E470M	E CAPACITOR	47UF 25V M	1	
	C172	CE32CL1E330M	E CAPACITOR	33UF 25V M	1	K0,K1
						E2,X1,Q1,E1,K2
	C173	CK73HBB1H152K	C CAPACITOR	1500PF 50V K	1	
	C174	CK73HBB1H152K	C CAPACITOR	1500PF 50V K	1	
	C175	CK73HBB1H152K	C CAPACITOR	1500PF 50V K	1	
	C176	CK73HBB1H152K	C CAPACITOR	1500PF 50V K	1	
	C177	CK73HBB1H152K	C CAPACITOR	1500PF 50V K	1	
	C178	CK73HBB1H152K	C CAPACITOR	1500PF 50V K	1	
	C185	CC73HC1H101J	C CAPACITOR	100PF 50V J	1	E2,X1,Q1,E1,K2
	C186	CK73GXR1C104K	C CAPACITOR	0.1UF 10V K	1	E2,X1,Q1,E1,K2
	C187	CK73HXR1H103K	C CAPACITOR	0.01UF 50V K	1	E2,X1,Q1,E1,K2
	C188	CK73HXR1A105K	C CAPACITOR	1UF 10V K	1	K0,K1
	C190	CK73FXR1E105K	C CAPACITOR	1UF 25V K	1	K0,K1
	C191	CK73GXR1C105K	C CAPACITOR	1UF 16V K	1	K0,K1
	C192	CK73GXR1C105K	C CAPACITOR	1UF 16V K	1	K0,K1
	C220	CK73GXR1A105K	C CAPACITOR	1UF 10V K	1	
	C221	CK73HXR1A273K	C CAPACITOR	0.027UF 10V K	1	
	C224	CK73HXR1A273K	C CAPACITOR	0.027UF 10V K	1	
	C225	CK73GXR1C105K	C CAPACITOR	1UF 16V K	1	
	C226	CK73GXR1C105K	C CAPACITOR	1UF 16V K	1	
	C227	CE32BZ1C220M	E CAPACITOR	22UF 16V M	1	
	C228	CK73HXR1H331K	C CAPACITOR	330PF 50V K	1	
	C229	CK73HCH1H220J	C CAPACITOR	22PF 50V J	1	
	C230	CK73HXR1H331K	C CAPACITOR	330PF 50V K	1	
	C231	CE32BZ1C220M	E CAPACITOR	22UF 16V M	1	
	C232	CK73GXR1C104K	C CAPACITOR	0.1UF 10V K	1	
	C233	CK73HXR1C333K	C CAPACITOR	0.033UF 16V K	1	
	C234	CK73GXR1C105K	C CAPACITOR	1UF 16V K	1	
	C235	CK73HXR1C333K	C CAPACITOR	0.033UF 16V K	1	
	C236	CK73GXR1C105K	C CAPACITOR	1UF 16V K	1	
	C241	CK73HXR1C103K	C CAPACITOR	0.01UF 16V K	1	
	C242	CK73GXR1C105K	C CAPACITOR	1UF 16V K	1	
	C243	CK73GXR1H103K	C CAPACITOR	0.01UF 50V K	1	
	C244	CK73GXR1C104K	C CAPACITOR	0.1UF 10V K	1	
	C245	CK73HCH1H101J	C CAPACITOR	100PF 50V J	1	
	C247	CK73HXR1A105K	C CAPACITOR	1UF 10V K	1	
	C250	CK73EXR1C475K	C CAPACITOR	4.7UF 16V K	1	
	C251	CK73EXR1C475K	C CAPACITOR	4.7UF 16V K	1	
	C270	CK73GXR1H104K	C CAPACITOR	0.1UF 50V K	1	
	C300	CK73GXR1C105K	C CAPACITOR	1UF 16V K	1	
	C301	CE32CL1E330M	E CAPACITOR	33UF 25V M	1	
	C302	CK730AV1C224K	C CAPACITOR	0.22UF 16V K	1	

MODEL	MARK	MODEL	MARK	MODEL	MARK	MODEL	MARK
DDX394	K0	DDX4017BT	E2	DDX4017BT	X1	DDX4017BT1R	Q1
DDX4017DAB	E1	DDX574BH	K2	DDX594	K1		

Sate	Symbol No.	Parts No.	Parts Name	Description	QTY	
					Local	
	C303	CK730AV1C224K	C CAPACITOR	0.22uF 16V K	1	
	C304	CK730AV1C224K	C CAPACITOR	0.22uF 16V K	1	
	C305	CK730AV1C224K	C CAPACITOR	0.22uF 16V K	1	
	C306	CK730AV1C105K	C CAPACITOR	1uF 16V K	1	
	C308	CK73GXR1C105K	C CAPACITOR	1uF 16V K	1	
	C320	CK73EXR1C475K	C CAPACITOR	4.7uF 16V K	1	
	C330	CK73EXR1C475K	C CAPACITOR	4.7uF 16V K	1	
	C340	CK73EXR1C475K	C CAPACITOR	4.7uF 16V K	1	
	C350	CK73EXR1C475K	C CAPACITOR	4.7uF 16V K	1	
	C352	CK73HXR1H332K	C CAPACITOR	3300pF 50V K	1	
	C353	CK73HXR1H332K	C CAPACITOR	100pF 50V J	1	
	C360	CK73HXR0J105K	C CAPACITOR	1uF 6.3V K	1	
	C361	CK73HXR1E103K	C CAPACITOR	0.01uF 25V K	1	
	C410	CK73GXR0J225K	C CAPACITOR	2.2uF 6.3V K	1	
	C412	CK73HXR1E103K	C CAPACITOR	0.01uF 25V K	1	
	C430	CK73HXR1E103K	C CAPACITOR	0.01uF 25V K	1	E1
	C431	CK73HXR0J474K	C CAPACITOR	0.47uF 6.3V K	1	E1
	C432	CK73HXR1A104K	C CAPACITOR	0.1uF 10V K	1	E1
	C433	CK73GXR1C105K	C CAPACITOR	1uF 16V K	1	E1
	C470	CK73GXR1A1105K	C CAPACITOR	1uF 10V K	1	E2,X1,E1
	C471	CK73HXR0J105K	C CAPACITOR	1uF 6.3V K	1	E2,X1,E1
	C472	CK73GXR0J106M	C CAPACITOR	10uF 6.3V M	1	
	C473	CK73HXR1A104K	C CAPACITOR	0.1uF 10V K	1	E2,X1,E1
	C474	CK73GXR1A105K	C CAPACITOR	1uF 10V K	1	E2,X1,E1
	C475	CK73HXR0J105K	C CAPACITOR	1uF 6.3V K	1	E2,X1,E1
	C476	CK73GXR1A1105K	C CAPACITOR	1uF 10V K	1	E2,X1,E1
	C477	CK73HXR0J105K	C CAPACITOR	1uF 6.3V K	1	E2,X1,E1
	C480	CK73GXR1H223K	C CAPACITOR	0.022uF 50V K	1	
	C485	CK73HXR1E103K	C CAPACITOR	0.01uF 25V K	1	
	C486	CK73HXR1A104K	C CAPACITOR	0.1uF 10V K	1	
	C487	CK73GXR0J106M	C CAPACITOR	10uF 6.3V M	1	
	C489	CK73HXR1E103K	C CAPACITOR	0.01uF 25V K	1	
	C490	CK73HXR1A104K	C CAPACITOR	0.1uF 10V K	1	
	C491	CK73GXR0J106M	C CAPACITOR	10uF 6.3V M	1	
	C492	CE32BY1C101M	E CAPACITOR	100uF 16V M	1	
	C493	CK73HXR1E103K	C CAPACITOR	0.01uF 25V K	1	
	C494	CK73HXR1A104K	C CAPACITOR	0.1uF 10V K	1	
	C495	CK73EXR1C106K	C CAPACITOR	10uF 16V K	1	
	C500	CK730BY1E106K	C CAPACITOR	10uF 25V K	1	
	C501	CK73GXR1H1104K	C CAPACITOR	0.1uF 50V K	1	
	C503	CK73HXR0J224K	C CAPACITOR	0.22uF 6.3V K	1	
	C504	CK73HXR1C104K	C CAPACITOR	0.1uF 16V K	1	
	C505	CK73HC1H120J	C CAPACITOR	12pF 50V J	1	
	C506	CK73HXR1H102K	C CAPACITOR	1000pF 50V K	1	
	C507	CK73EXR1C106K	C CAPACITOR	10uF 16V K	1	
	C508	CE32C1C221M	E CAPACITOR	220uF 16V M	1	
	C509	CK73EXR1C106K	C CAPACITOR	10uF 16V K	1	
	C510	CK73EXR1C106K	C CAPACITOR	10uF 16V K	1	
	C511	CK73GXR1H104K	C CAPACITOR	0.1uF 50V K	1	
	C512	CK73EXR1C106K	C CAPACITOR	10uF 16V K	1	
	C513	CK73EXR1C106K	C CAPACITOR	10uF 16V K	1	
	C514	CK73GXR1H104K	C CAPACITOR	0.1uF 50V K	1	
	C515	CK73EXR1C106K	C CAPACITOR	10uF 16V K	1	
	C516	CK73HXR0J224K	C CAPACITOR	0.22uF 6.3V K	1	
	C540	CK730BY1E106K	C CAPACITOR	10uF 25V K	1	
	C541	CK73GXR1H104K	C CAPACITOR	0.1uF 50V K	1	
	C543	CK73HXR0J224K	C CAPACITOR	0.22uF 6.3V K	1	
	C544	CK73HXR1C104K	C CAPACITOR	0.1uF 16V K	1	
	C545	CK73HC1H150J	C CAPACITOR	15pF 50V J	1	
	C546	CK73HXR1H102K	C CAPACITOR	1000pF 50V K	1	
	C547	CK73EXR1C106K	C CAPACITOR	10uF 16V K	1	
	C548	CE32C1C221M	E CAPACITOR	220uF 16V M	1	
	C549	CK73HXR0J224K	C CAPACITOR	0.22uF 6.3V K	1	
	C580	CK730BY1E106K	C CAPACITOR	10uF 25V K	1	
	C581	CK730BY1E106K	C CAPACITOR	10uF 25V K	1	
	C582	CK73HXR1H391K	C CAPACITOR	390pF 50V K	1	
	C583	CK73HXR1C104K	C CAPACITOR	0.1uF 16V K	1	
	C584	CK73HXR1H102K	C CAPACITOR	1000pF 50V K	1	
	C585	CK73HXR1H821K	C CAPACITOR	820pF 50V K	1	
	C586	CK73GXR1C105K	C CAPACITOR	1uF 16V K	1	
	C587	CK73GXR1H104K	C CAPACITOR	0.1uF 50V K	1	
	C588	CK730BY1E106K	C CAPACITOR	10uF 25V K	1	
	C589	CK730BY1E106K	C CAPACITOR	10uF 25V K	1	
	C590	CE32BY1E101M	E CAPACITOR	100uF 25V M	1	
	C600	CK73GXR1H103K	C CAPACITOR	0.01uF 50V K	1	
	C601	CK73GXR1H104K	C CAPACITOR	0.1uF 50V K	1	
	C602	CK73GXR0J106M	C CAPACITOR	10uF 6.3V M	1	
	C603	CK73GXR1H103K	C CAPACITOR	0.01uF 50V K	1	
	C604	CK73GXR1H104K	C CAPACITOR	0.1uF 50V K	1	
	C605	CK73GXR0J106M	C CAPACITOR	10uF 6.3V M	1	
	C606	CK73HXR1H222K	C CAPACITOR	2200pF 50V K	1	K0,E2,X1,Q1
	C607	CK73GXR1H102K	C CAPACITOR	1000pF 50V K	1	K0,E2,X1,Q1
	C608	CC73GCH1H390J	C CAPACITOR	39pF 50V J	1	K0,E2,X1,Q1
	C609	CC73GCH1H270J	C CAPACITOR	27pF 50V J	1	K0,E2,X1,Q1
	C613	CC73GCH1H010C	C CAPACITOR	1pF 50V C	1	K0,E2,X1,Q1
	C614	CC73GCH1H050C	C CAPACITOR	5pF 50V C	1	K0,E2,X1,Q1
	C615	CK73GXR1C104K	C CAPACITOR	0.1uF 10V K	1	K0,E2,X1,Q1
	C616	CK73GXR1H103K	C CAPACITOR	0.01uF 50V K	1	K0,E2,X1,Q1
	C617	CK73EXR1C106K	C CAPACITOR	10uF 16V K	1	K0,E2,X1,Q1
	C618	CK73GXR1C104K	C CAPACITOR	0.1uF 10V K	1	K0,E2,X1,Q1
	C622	CK73HXR1H682K	C CAPACITOR	6800pF 50V K	1	K0,E2,X1,Q1
	C623	CK73HXR1H682K	C CAPACITOR	6800pF 50V K	1	K0,E2,X1,Q1

△

MODEL	MARK	MODEL	MARK	MODEL	MARK	MODEL	MARK
DDX394	K0	DDX4017BT	E2	DDX4017BT	X1	DDX4017BT1R	Q1
DDX4017DAB	E1	DDX574BH	K2	DDX594	K1		

Safe	Symbol No.	Parts No.	Parts Name	Description	QTY	Local
	C624	CK73GXR1A105K	C CAPACITOR	1uF 10V K	1	K0,E2,X1,Q1
	C625	CK73GXR1A105K	C CAPACITOR	1uF 10V K	1	K0,E2,X1,Q1
	C626	CK73EXR1C106K	C CAPACITOR	10uF 16V K	1	K0,E2,X1,Q1
	C627	CK73HXR0J105K	C CAPACITOR	1uF 6.3V K	1	K0,E2,X1,Q1
	C628	CC73GCH1H101J	C CAPACITOR	100pF 50V J	1	K0,E2,X1,Q1
	C629	CC73GCH1H101J	C CAPACITOR	100pF 50V J	1	K0,E2,X1,Q1
	C633	CC73HCH1H010C	C CAPACITOR	1pF 50V C	1	K0,E2,X1,Q1
	C634	CC73HCH1H010C	C CAPACITOR	1pF 50V C	1	K0,E2,X1,Q1
	C635	CC73HCH1H101J	C CAPACITOR	100pF 50V J	1	K0,E2,X1,Q1
	C636	CK73GXR1H222K	C CAPACITOR	2200pF 50V K	1	K0,E2,X1,Q1
	C637	CK73GXR1H222K	C CAPACITOR	2200pF 50V K	1	K0,E2,X1,Q1
	C638	CK73HXR1H222K	C CAPACITOR	2200pF 50V K	1	K0,E2,X1,Q1
	C639	CK73EXR1C106K	C CAPACITOR	10uF 16V K	1	K0,E2,X1,Q1
	C640	CK73GXR1H104K	C CAPACITOR	0.1uF 50V K	1	K0,E2,X1,Q1
	C641	CK73GXR1H104K	C CAPACITOR	0.1uF 50V K	1	K0,E2,X1,Q1
	C642	CC73GCH1H010C	C CAPACITOR	1pF 50V C	1	K0,E2,X1,Q1
	C643	CC73GCH1H010C	C CAPACITOR	1pF 50V C	1	K0,E2,X1,Q1
	C644	CC73GCH1H010C	C CAPACITOR	1pF 50V C	1	K0,E2,X1,Q1
	C645	CC73GCH1H010C	C CAPACITOR	1pF 50V C	1	K0,E2,X1,Q1
	C647	CC73GCH1H0R5C	C CAPACITOR	0.5pF 50V C	1	E1
	C648	CC73HCH1H010C	C CAPACITOR	1pF 50V C	1	K0,E2,X1,Q1
	C649	CC73GCH1H0R5C	C CAPACITOR	0.5pF 50V C	1	E2,X1,Q1
	C650	CC73GCH1H010C	C CAPACITOR	1pF 50V C	1	K0,E2,X1,Q1
	C651	CC73GCH1H010C	C CAPACITOR	1pF 50V C	1	K0,E2,X1,Q1
	C652	CC73GCH1H010C	C CAPACITOR	1pF 50V C	1	K0,E2,X1,Q1
	C653	CC73GCH1H010C	C CAPACITOR	1pF 50V C	1	K0,E2,X1,Q1
	C654	CC73GCH1H010C	C CAPACITOR	1pF 50V C	1	K0,E2,X1,Q1
	C655	CC73GCH1H010C	C CAPACITOR	1pF 50V C	1	E1,K2,K1
	C656	CC73GCH1H010C	C CAPACITOR	1pF 50V C	1	
	C657	CC73HCH1H010C	C CAPACITOR	1pF 50V C	1	
	C720	CK73GXR0J106M	C CAPACITOR	10uF 6.3V M	1	K0,E2,X1,Q1
	C721	CK73HXR1H222K	C CAPACITOR	2200pF 50V K	1	
	C722	CK73HXR1E103K	C CAPACITOR	0.01uF 25V K	1	
	C727	CK73HXR1E103K	C CAPACITOR	0.01uF 25V K	1	
	C728	CK73HXR1E103K	C CAPACITOR	0.01uF 25V K	1	
	C729	CK73HXR1E103K	C CAPACITOR	0.01uF 25V K	1	
	C730	CK73HXR1E103K	C CAPACITOR	0.01uF 25V K	1	
	C731	CK73HXR1E103K	C CAPACITOR	0.01uF 25V K	1	
	C732	CK73HXR0J105K	C CAPACITOR	1uF 6.3V K	1	
	C733	CK73GXR1H103K	C CAPACITOR	0.01uF 50V K	1	
	C734	CK73GXR1H103K	C CAPACITOR	0.01uF 50V K	1	
	C737	CK73GXR1H104K	C CAPACITOR	0.1uF 50V K	1	
	C738	CK73GXR1H104K	C CAPACITOR	0.1uF 50V K	1	
	C739	CK73HXR1A104K	C CAPACITOR	0.1uF 10V K	1	
	C740	CC73GCH1H180J	C CAPACITOR	18pF 50V J	1	
	C741	CC73GCH1H180J	C CAPACITOR	18pF 50V J	1	
	C742	CC73HCH1H100D	C CAPACITOR	10pF 50V D	1	
	C743	CC73HCH1H120J	C CAPACITOR	12pF 50V J	1	
	C820	CK73HXR1E103K	C CAPACITOR	0.01uF 25V K	1	
	C831	CK73HXR1E103K	C CAPACITOR	0.01uF 25V K	1	
	C832	CK73HXR0J105K	C CAPACITOR	1uF 6.3V K	1	
	C833	CK73HXR1E103K	C CAPACITOR	0.01uF 25V K	1	
	C840	CK73HXR1C104K	C CAPACITOR	0.1uF 16V K	1	K0,E2,X1,E1,K2,K1
	C841	CK73HXR1C104K	C CAPACITOR	0.1uF 16V K	1	K0,E2,X1,E1,K2,K1
	C842	CK73HXR1C104K	C CAPACITOR	0.1uF 16V K	1	K0,K2,K1
	C843	CK73HXR1C104K	C CAPACITOR	0.1uF 16V K	1	K0,K2,K1
	C860	CK730BY1E106K	C CAPACITOR	10uF 25V K	1	
	C861	CK73GXR1H104K	C CAPACITOR	0.1uF 50V K	1	
	C863	CK73HXR0J224K	C CAPACITOR	0.22uF 6.3V K	1	
	C864	CK73HXR1C104K	C CAPACITOR	0.1uF 16V K	1	
	C865	CC73HCH1H101J	C CAPACITOR	100pF 50V J	1	
	C866	CK73HXR1H102K	C CAPACITOR	1000pF 50V K	1	
	C867	CK73GXR0J106M	C CAPACITOR	10uF 6.3V M	1	
	C868	CE32C0J331M	E CAPACITOR	330uF 6.3V M	1	
	C872	CK73EXR1C106K	C CAPACITOR	10uF 16V K	1	
	C873	CK73EXR1C106K	C CAPACITOR	10uF 16V K	1	
	C874	CK73EXR1C106K	C CAPACITOR	10uF 16V K	1	
	C875	CK73HXR0J224K	C CAPACITOR	0.22uF 6.3V K	1	
	C890	CK73HXR1A104K	C CAPACITOR	0.1uF 10V K	1	
	C891	CK73HXR1A104K	C CAPACITOR	0.1uF 10V K	1	
	C900	CK73EXR1H224K	C CAPACITOR	0.22uF 50V K	1	
	C901	CD04AR1C471M2	E CAPACITOR	470uF 16V M	1	
	C902	CK73EXR1H224K	C CAPACITOR	0.22uF 50V K	1	
	C903	CE32BY1E101M	E CAPACITOR	100uF 25V M	1	
	C904	CK73GXR0J106M	C CAPACITOR	10uF 6.3V M	1	
	C905	CK73EXR1A476K	C CAPACITOR	47uF 10V K	1	
	C906	CK73EXR0J226M	E CAPACITOR	22uF 6.3V M	1	
	C907	CK73EXR1C106K	C CAPACITOR	10uF 16V K	1	
	C908	CK73EXR0J226M	E CAPACITOR	22uF 6.3V M	1	
	C909	CK73EXR1C106K	C CAPACITOR	10uF 16V K	1	
	C910	CK73EXR1C106K	C CAPACITOR	10uF 16V K	1	
	C911	CK730BY1E106K	C CAPACITOR	10uF 25V K	1	
	C912	CK730BY1E106K	C CAPACITOR	10uF 25V K	1	
	C913	CK73GXR1C105K	C CAPACITOR	1uF 16V K	1	
	C914	CK73GXR1C105K	C CAPACITOR	1uF 16V K	1	
	C915	CK73EXR1A106K	C CAPACITOR	10uF 10V K	1	
	C920	CK73EXR1H334K	C CAPACITOR	0.33uF 50V K	1	
	C930	CC73HCH1H331J	C CAPACITOR	330pF 50V J	1	
	C931	CC73HCH1H331J	C CAPACITOR	330pF 50V J	1	
	C932	CK73HXR1C103K	C CAPACITOR	0.01uF 16V K	1	
	C950	CK73HXR1H103K	C CAPACITOR	0.01uF 50V K	1	

MODEL	MARK	MODEL	MARK	MODEL	MARK	MODEL	MARK
DDX394	K0	DDX4017BT	E2	DDX4017BT	X1	DDX4017BT1R	Q1
DDX4017DAB	E1	DDX574BH	K2	DDX594	K1		

Safe	Symbol No.	Parts No.	Parts Name	Description	QTY	Local
	C951	CK73FXR1H334K	C CAPACITOR	0.33uF 50V K	1	E2,X1,Q1,E1
	C1016	CK730BY1E106K	C CAPACITOR	10uF 25V K	1	E2,X1,Q1,E1
	C1017	CK730BY1E106K	C CAPACITOR	10uF 25V K	1	E2,X1,Q1,E1
	C1018	CK730BY1E106K	C CAPACITOR	10uF 25V K	1	E2,X1,Q1,E1
	C1019	CK730BY1E106K	C CAPACITOR	10uF 25V K	1	E2,X1,Q1,E1
	C1021	CK73GXR1C104K	C CAPACITOR	0.1uF 10V K	1	
	C1025	CC73CH1H050C	C CAPACITOR	5pF 50V C	1	
	C1026	CC73CH1H050C	C CAPACITOR	5pF 50V C	1	
	C1027	CC73CH1H050C	C CAPACITOR	5pF 50V C	1	
	C1031	CK73HXR1H472K	C CAPACITOR	4700pF 50V K	1	
	C1032	CK73HXR1H472K	C CAPACITOR	4700pF 50V K	1	
	C1033	CK73HXR0J105K	C CAPACITOR	1uF 6.3V K	1	
	C1034	CK73HXR0J105K	C CAPACITOR	1uF 6.3V K	1	
	C1035	CK73HXR0J105K	C CAPACITOR	1uF 6.3V K	1	
	C1036	CK73HXR1H472K	C CAPACITOR	4700pF 50V K	1	
	C1037	CK73HXR1A105K	C CAPACITOR	1uF 10V K	1	K0,E2,X1,Q1
	C1038	CK73HXR1A105K	C CAPACITOR	1uF 10V K	1	K0,E2,X1,Q1
	C1043	CK73GXR1H471K	C CAPACITOR	470pF 50V K	1	
△	C1044	CC73GCH1H010C	C CAPACITOR	1pF 50V C	1	E1
	C1045	CK73GXR1H472K	C CAPACITOR	4700pF 50V K	1	
	C1046	CK73GXR1H104K	C CAPACITOR	0.1uF 50V K	1	
	C1047	CK73GXR1H104K	C CAPACITOR	0.1uF 50V K	1	
	C1048	CK73EXR1C106K	C CAPACITOR	10uF 16V K	1	E1,K2,K1
	C1052	CK73GXR1H104K	C CAPACITOR	0.1uF 50V K	1	
	C1055	CK73FXR1C106K	C CAPACITOR	10uF 16V K	1	
	C1058	CK73GXR1H104K	C CAPACITOR	0.1uF 50V K	1	
	C1060	CK73GXR1H104K	C CAPACITOR	0.1uF 50V K	1	
	C1061	CK73GXR1H104K	C CAPACITOR	0.1uF 50V K	1	K0,E2,X1,Q1
	C1065	CK73GXR1H472K	C CAPACITOR	4700pF 50V K	1	
	C1066	CK73GXR1H104K	C CAPACITOR	0.1uF 50V K	1	
	C1067	CC73GCH1H221J	C CAPACITOR	220pF 50V J	1	
	C1068	CK73GXR1H223K	C CAPACITOR	0.022uF 50V K	1	
	C1069	CK73GXR1H223K	C CAPACITOR	0.022uF 50V K	1	
	C1074	CK73GXR1H103K	C CAPACITOR	0.01uF 50V K	1	
	C1077	CC73GCH1H010C	C CAPACITOR	1pF 50V C	1	
△	C1078	CK73GXR1H104K	C CAPACITOR	0.1uF 50V K	1	
	C1080	CK73GXR1H471K	C CAPACITOR	470pF 50V K	1	
	C1081	CK73GXR1H471K	C CAPACITOR	470pF 50V K	1	
△	C1082	CK73GXR1H104K	C CAPACITOR	0.1uF 50V K	1	
	C1083	CC73GCH1H010C	C CAPACITOR	1pF 50V C	1	K0,E2,X1,Q1,K2,K1
△	C1084	CC73GCH1H010C	C CAPACITOR	1pF 50V C	1	K0,E2,X1,Q1
	C1086	CK73GXR1H104K	C CAPACITOR	0.1uF 50V K	1	
	C1087	CC73HCH1H0R3C	C CAPACITOR	0.3pF 50V C	1	K0,E2,X1,Q1
	C1088	CC73GCH1H0R5C	C CAPACITOR	0.5pF 50V C	1	K0,E2,X1,Q1
	C1089	CK73GXR1H105K	C CAPACITOR	1uF 50V K	1	K0,E2,X1,Q1
	C1090	CK73GXR1H105K	C CAPACITOR	1uF 50V K	1	K0,E2,X1,Q1
	C1091	CK73GXR1C473K	C CAPACITOR	470pF 50V K	1	
	C1092	CK73GXR1H333K	C CAPACITOR	0.033uF 50V K	1	
	C1093	CK73GXR1H333K	C CAPACITOR	0.033uF 50V K	1	
	C1094	CC73GCH1H0R5C	C CAPACITOR	0.5pF 50V C	1	E1
△	C1095	CC73GCH1H010C	C CAPACITOR	1pF 50V C	1	E2,X1,Q1,E1
	C1096	CC73GCH1H0R5C	C CAPACITOR	0.5pF 50V C	1	E2,X1,Q1,E1
	C1097	CC73GCH1H0R5C	C CAPACITOR	0.5pF 50V C	1	E1
△	C1098	CC73GCH1H010C	C CAPACITOR	1pF 50V C	1	E2,X1,Q1
△	C1098	CC73GCH1H0R5C	C CAPACITOR	0.5pF 50V C	1	E1
△	C1099	CC73GCH1H010C	C CAPACITOR	1pF 50V C	1	E2,X1,Q1
	C1099	CC73GCH1H0R5C	C CAPACITOR	0.5pF 50V C	1	E1
	C1206	CK73GXR1C105K	C CAPACITOR	1uF 16V K	1	
	R80	RK73GB2A222J	MG RESISTOR	2.2kΩ 1/10W J	1	
	R101	RK73HB1J332J	MG RESISTOR	3.3kΩ 1/16W J	1	
	R102	RK73HB1J223J	MG RESISTOR	22kΩ 1/16W J	1	
	R103	RK73HB1J302J	MG RESISTOR	3kΩ 1/16W J	1	
	R105	RK73HB1J162J	MG RESISTOR	1.6kΩ 1/16W J	1	
	R106	RK73HB1J223J	MG RESISTOR	22kΩ 1/16W J	1	
	R107	RK73HB1J302J	MG RESISTOR	3kΩ 1/16W J	1	
	R108	RK73HB1J332J	MG RESISTOR	3.3kΩ 1/16W J	1	
	R110	RK73HB1J620J	MG RESISTOR	62Ω 1/16W J	1	
	R111	RK73HB1J100J	MG RESISTOR	10Ω 1/16W J	1	
	R112	RK73HB1J100J	MG RESISTOR	10Ω 1/16W J	1	
	R114	RK73GB2A4R7J	MG RESISTOR	4.7Ω 1/10W J	1	
	R115	RK73HB1J100J	MG RESISTOR	10Ω 1/16W J	1	
	R130	RK73GB2A100J	MG RESISTOR	10Ω 1/10W J	1	
	R131	RK73HH1J750D	MG RESISTOR	75Ω 1/16W D	1	K0,X1,K2,K1
	R132	RK73HB1J105J	MG RESISTOR	10Ω 1/16W J	1	K0,X1,K2,K1
	R134	RK73GB2A100J	MG RESISTOR	10Ω 1/16W J	1	
	R135	RK73HH1J750D	MG RESISTOR	75Ω 1/16W D	1	
	R136	RK73GH2A750D	MG RESISTOR	75Ω 1/10W D	1	
	R137	RK73GB2A105J	MG RESISTOR	1MΩ 1/10W J	1	E2,Q1,E1
	R160	RK73GB2A000J	MG RESISTOR	0Ω 1/10W J	1	
	R161	RK73GB2A000J	MG RESISTOR	0Ω 1/10W J	1	
	R162	RK73HB1J000J	MG RESISTOR	0Ω 1/16W J	1	E2,X1,Q1,E1,K2
	R163	RK73HB1J000J	MG RESISTOR	0Ω 1/16W J	1	
	R164	RK73GB2A101J	MG RESISTOR	100Ω 1/10W J	1	
	R165	RK73GB2A101J	MG RESISTOR	100Ω 1/10W J	1	
	R166	RK73GB2A000J	MG RESISTOR	0Ω 1/10W J	1	E2,X1,Q1,E1,K2
	R167	RK73HB1J000J	MG RESISTOR	0Ω 1/16W J	1	
	R168	RK73HB1J000J	MG RESISTOR	0Ω 1/16W J	1	
	R169	RK73HB1J000J	MG RESISTOR	0Ω 1/16W J	1	
	R170	RK73HB1J000J	MG RESISTOR	0Ω 1/16W J	1	
	R171	RK73HB1J000J	MG RESISTOR	0Ω 1/16W J	1	
	R172	RK73HB1J000J	MG RESISTOR	0Ω 1/16W J	1	
	R173	RK73HB1J680J	MG RESISTOR	68Ω 1/16W J	1	

MODEL	MARK	MODEL	MARK	MODEL	MARK	MODEL	MARK
DDX394	K0	DDX4017BT	E2	DDX4017BT	X1	DDX4017B1R	Q1
DDX4017DAB	E1	DDX574BH	K2	DDX594	K1		

Safe	Symbol No.	Parts No.	Parts Name	Description	QTY	Local
	R174	RK73HB1J000J	MG RESISTOR	0Ω 1/16W J	1	
	R175	RK73HB1J680J	MG RESISTOR	68Ω 1/16W J	1	
	R176	RK73HB1J000J	MG RESISTOR	0Ω 1/16W J	1	
	R177	RK73HB1J680J	MG RESISTOR	68Ω 1/16W J	1	
	R178	RK73HB1J000J	MG RESISTOR	0Ω 1/16W J	1	
	R179	RK73HB1J680J	MG RESISTOR	68Ω 1/16W J	1	
	R180	RK73HB1J000J	MG RESISTOR	0Ω 1/16W J	1	
	R181	RK73GB2A000J	MG RESISTOR	0Ω 1/10W J	1	K0,K1
	R182	RK73GB2A000J	MG RESISTOR	0Ω 1/10W J	1	K0,K1
	R183	RK73HB1J331J	MG RESISTOR	330Ω 1/16W J	1	
	R184	RK73HB1J331J	MG RESISTOR	330Ω 1/16W J	1	
	R185	RK73HB1J331J	MG RESISTOR	330Ω 1/16W J	1	
	R186	RK73HB1J331J	MG RESISTOR	330Ω 1/16W J	1	
	R187	RK73HB1J331J	MG RESISTOR	330Ω 1/16W J	1	
	R188	RK73HB1J331J	MG RESISTOR	330Ω 1/16W J	1	
	R190	RK73HH1J622D	MG RESISTOR	6.2KΩ 1/16W D	1	E2,X1,Q1,E1,K2
	R191	RK73HH1J363D	MG RESISTOR	36KΩ 1/16W D	1	K0,K1
	R192	RK73HB1J103J	MG RESISTOR	10KΩ 1/16W J	1	K0,K1
	R193	RK73HB1J752J	MG RESISTOR	7.5KΩ 1/16W J	1	K0,K1
	R194	RK73HH1J153D	MG RESISTOR	15KΩ 1/16W D	1	K0,K1
	R195	RK73HH1J102D	MG RESISTOR	1KΩ 1/16W D	1	K0,K1
	R196	RK73HB1J103J	MG RESISTOR	10KΩ 1/16W J	1	K0,K1
	R199	RK73EB2E823J	MG RESISTOR	82KΩ 1/4W J	1	
	R200	RK73GB2AZ23J	MG RESISTOR	22KΩ 1/10W J	1	
	R201	RK73GB2A563J	MG RESISTOR	56KΩ 1/10W J	1	
	R202	RK73GB2A000J	MG RESISTOR	0Ω 1/10W J	1	
	R210	RK73HB1J000J	MG RESISTOR	0Ω 1/16W J	1	
	R221	RK73GB2A222J	MG RESISTOR	2.2KΩ 1/10W J	1	
	R223	RK73GB2A471J	MG RESISTOR	470Ω 1/10W J	1	
	R224	RK73GB2A681J	MG RESISTOR	680Ω 1/10W J	1	
	R225	RK73GB2A101J	MG RESISTOR	100Ω 1/10W J	1	
	R226	RK73GB2A101J	MG RESISTOR	100Ω 1/10W J	1	
	R229	RK73HB1J222J	MG RESISTOR	2.2KΩ 1/16W J	1	
	R231	RK73HB1J124J	MG RESISTOR	120KΩ 1/16W J	1	
	R232	RK73HB1J122J	MG RESISTOR	1.2KΩ 1/16W J	1	
	R233	RK73HB1J122J	MG RESISTOR	1.2KΩ 1/16W J	1	
	R234	RK73HB1J124J	MG RESISTOR	120KΩ 1/16W J	1	
	R235	RK73HB1J333J	MG RESISTOR	33KΩ 1/16W J	1	
	R236	RK73HB1J822J	MG RESISTOR	8.2KΩ 1/16W J	1	
	R237	RK73HB1J103J	MG RESISTOR	10KΩ 1/16W J	1	
	R241	RK73HB1J103J	MG RESISTOR	10KΩ 1/16W J	1	
	R243	RK73HH1J243D	MG RESISTOR	24KΩ 1/16W D	1	K0,K1
	R244	RK73HH1J103D	MG RESISTOR	10KΩ 1/16W D	1	
	R250	RK73GB2A101J	MG RESISTOR	100Ω 1/10W J	1	
	R251	RK73HB1J471J	MG RESISTOR	470Ω 1/16W J	1	
	R253	RK73HB1J223J	MG RESISTOR	22KΩ 1/16W J	1	
	R254	RK73HB1J223J	MG RESISTOR	22KΩ 1/16W J	1	
	R255	RK73HB1J471J	MG RESISTOR	470Ω 1/16W J	1	
	R256	RK73HB1J101J	MG RESISTOR	100Ω 1/16W J	1	
	R257	RK73GB2A472J	MG RESISTOR	4.7KΩ 1/10W J	1	
	R258	RK73GB2A472J	MG RESISTOR	4.7KΩ 1/10W J	1	
	R270	RK73HB1J331J	MG RESISTOR	330Ω 1/16W J	1	
	R272	RK73HB1J683J	MG RESISTOR	68KΩ 1/16W J	1	E2,E1
	R273	RK73HB1J103J	MG RESISTOR	10KΩ 1/16W J	1	E2,E1
	R274	RK73HB1J123J	MG RESISTOR	12KΩ 1/16W J	1	E2,E1
	R301	RK73HB1J333J	MG RESISTOR	33KΩ 1/16W J	1	E2,E1
	R304	RK73EB2E1R0J	MG RESISTOR	16Ω 1/4W J	1	
	R305	RK73EB2E1R0J	MG RESISTOR	16Ω 1/4W J	1	
	R306	RK73HB1J432J	MG RESISTOR	4.3KΩ 1/16W J	1	
	R309	RK73GB2A223J	MG RESISTOR	22KΩ 1/10W J	1	
	R320	RK73HB1J223J	MG RESISTOR	22KΩ 1/16W J	1	
	R321	RK73GB2A101J	MG RESISTOR	100Ω 1/10W J	1	
	R322	RK73HB1J471J	MG RESISTOR	470Ω 1/16W J	1	
	R323	RK73GB2A472J	MG RESISTOR	4.7KΩ 1/10W J	1	
	R330	RK73HB1J471J	MG RESISTOR	470Ω 1/16W J	1	
	R331	RK73HB1J223J	MG RESISTOR	22KΩ 1/16W J	1	
	R332	RK73GB2A101J	MG RESISTOR	100Ω 1/10W J	1	
	R333	RK73GB2A472J	MG RESISTOR	4.7KΩ 1/10W J	1	
	R340	RK73HB1J223J	MG RESISTOR	22KΩ 1/16W J	1	
	R341	RK73HB1J471J	MG RESISTOR	470Ω 1/16W J	1	
	R342	RK73GB2A101J	MG RESISTOR	100Ω 1/10W J	1	
	R343	RK73GB2A472J	MG RESISTOR	4.7KΩ 1/10W J	1	
	R350	RK73HB1J471J	MG RESISTOR	470Ω 1/16W J	1	
	R351	RK73HB1J223J	MG RESISTOR	22KΩ 1/16W J	1	
	R352	RK73GB2A101J	MG RESISTOR	100Ω 1/10W J	1	
	R353	RK73GB2A472J	MG RESISTOR	4.7KΩ 1/10W J	1	
	R360	RK73GB2A223J	MG RESISTOR	22KΩ 1/10W J	1	
	R361	RK73HB1J333J	MG RESISTOR	33KΩ 1/16W J	1	
	R362	RK73GB2A472J	MG RESISTOR	4.7KΩ 1/10W J	1	
	R363	RK73HB1J223J	MG RESISTOR	22KΩ 1/16W J	1	
	R364	RK73GB2A472J	MG RESISTOR	4.7KΩ 1/10W J	1	
	R381	RK73GB2A000J	MG RESISTOR	0Ω 1/10W J	1	
	R382	RK73FB2B472J	MG RESISTOR	4.7KΩ 1/8W J	1	
	R400	RK73GB2A152J	MG RESISTOR	1.5KΩ 1/10W J	1	
	R410	RK73HB1J471J	MG RESISTOR	470Ω 1/16W J	1	
	R411	RK73HB1J473J	MG RESISTOR	47KΩ 1/16W J	1	
	R412	RK73HB1J473J	MG RESISTOR	47KΩ 1/16W J	1	
	R413	RK73HB1J103J	MG RESISTOR	10KΩ 1/16W J	1	
	R414	RK73HB1J223J	MG RESISTOR	22KΩ 1/16W J	1	
	R415	RK73HB1J272J	MG RESISTOR	2.7KΩ 1/16W J	1	

MODEL	MARK	MODEL	MARK	MODEL	MARK	MODEL	MARK
DDX394	K0	DDX4017BT	E2	DDX4017BT	X1	DDX4017BT1R	Q1
DDX4017DAB	E1	DDX574BH	K2	DDX594	K1		

Safe	Symbol No.	Parts No.	Parts Name	Description		QTY	Local
				MODEL	MARK		
R416		RK73HB1J102J	MG RESISTOR	1KΩ 1/16W J	1	E1	
R430		RK73HB1J473J	MG RESISTOR	47KΩ 1/16W J	1	E1	
R431		RK73HB1J102J	MG RESISTOR	1KΩ 1/16W J	1	E1	
R432		RK73HB1J103J	MG RESISTOR	10KΩ 1/16W J	1	E1	
R433		RK73HB1J000J	MG RESISTOR	0Ω 1/16W J	1	E1	
R434		RK73HB1J473J	MG RESISTOR	47KΩ 1/16W J	1	E1	
R436		RK73HB1J473J	MG RESISTOR	47KΩ 1/16W J	1	E1	
R437		RK73HB1J102J	MG RESISTOR	1KΩ 1/16W J	1	E1	
R438		RK73HB1J152J	MG RESISTOR	1.5KΩ 1/16W J	1	E1	
R439		RK73HB1J473J	MG RESISTOR	47KΩ 1/16W J	1	E1	
R440		RK73HB1J102J	MG RESISTOR	1KΩ 1/16W J	1	E1	
R441		RK73HB1J472J	MG RESISTOR	4.7KΩ 1/16W J	1	E1	
R442		RK73HB1J473J	MG RESISTOR	47KΩ 1/16W J	1	E1	
R443		RK73GB2A000J	MG RESISTOR	0Ω 1/10W J	1	K2,K1	
R444		RK73HB1J472J	MG RESISTOR	4.7KΩ 1/16W J	1	E1,K2,K1	
R445		RK73GB2A2R2J	MG RESISTOR	2.2Ω 1/10W J	1	E1	
R446		RK73GB2A000J	MG RESISTOR	0Ω 1/10W J	1	K2,K1	
R447		RK73GB2A000J	MG RESISTOR	0Ω 1/10W J	1	K2,K1	
R448		RK73HB1J472J	MG RESISTOR	4.7KΩ 1/16W J	1	E1,K2,K1	
R449		RK73GB2A000J	MG RESISTOR	0Ω 1/10W J	1	K2,K1	
R450		RK73HB1J472J	MG RESISTOR	4.7KΩ 1/16W J	1	E1,K2,K1	
R451		RK73GB2A000J	MG RESISTOR	0Ω 1/10W J	1	K2,K1	
R452		RK73HB1J472J	MG RESISTOR	4.7KΩ 1/16W J	1	E1	
R453		RK73HB1J472J	MG RESISTOR	4.7KΩ 1/16W J	1	E1	
R454		RK73HB1J472J	MG RESISTOR	4.7KΩ 1/16W J	1	E1	
R455		RK73HB1J472J	MG RESISTOR	4.7KΩ 1/16W J	1	E1	
R456		RK73HB1J472J	MG RESISTOR	4.7KΩ 1/16W J	1	E1	
R470		RK73GB2A000J	MG RESISTOR	0Ω 1/10W J	1	K0,Q1,K2,K1	
R471		RK73GB2A105J	MG RESISTOR	1MΩ 1/10W J	1	E2,X1,E1	
R473		RK73GB2A000J	MG RESISTOR	0Ω 1/10W J	1	K0,Q1,K2,K1	
R474		RK73GB2A000J	MG RESISTOR	0Ω 1/10W J	1	K0,Q1,K2,K1	
R475		RK73HB1J105J	MG RESISTOR	1MΩ 1/16W J	1	E2,X1,E1	
R479		RK73GB2A000J	MG RESISTOR	0Ω 1/10W J	1	E1	
R480		RK73GB2A000J	MG RESISTOR	0Ω 1/10W J	1	E1	
R481		RK73HB1J000J	MG RESISTOR	0Ω 1/16W J	1	E1	
R482		RK73HB1J000J	MG RESISTOR	0Ω 1/16W J	1	E1	
R483		RK73HB1J000J	MG RESISTOR	0Ω 1/16W J	1	E1	
R484		RK73HB1J151D	MG RESISTOR	150Ω 1/16W D	1	E1	
R485		RK73HB1J151D	MG RESISTOR	150Ω 1/16W D	1	E1	
R486		RK73HB1J151D	MG RESISTOR	150Ω 1/16W D	1	E1	
R487		RK73HB1J151D	MG RESISTOR	150Ω 1/16W D	1	E1	
R489		RK73HB1J000J	MG RESISTOR	0Ω 1/16W J	1	E1	
R490		RK73HB1J000J	MG RESISTOR	0Ω 1/16W J	1	E1	
R500		RK73HB1J470J	MG RESISTOR	47Ω 1/16W J	1	E1	
R501		RK73HB1J302D	MG RESISTOR	3KΩ 1/16W D	1	E1	
R502		RK73HB1J200J	MG RESISTOR	20Ω 1/16W J	1	E1	
R503		RK73HB1J562D	MG RESISTOR	5.6KΩ 1/16W D	1	E1	
R505		RK73HB1J513D	MG RESISTOR	51KΩ 1/16W D	1	E1	
R506		RK73PB2H100J	MG RESISTOR	10Ω 1/2W J	1	E1	
R508		RK73EB2E000J	MG RESISTOR	0Ω 1/4W J	1	E1	
R510		RK73GB2A000J	MG RESISTOR	0Ω 1/10W J	1	E1	
R511		RK73GB2A000J	MG RESISTOR	0Ω 1/10W J	1	E1	
R512		RK73GH2A133D	MG RESISTOR	13KΩ 1/10W D	1	E1	
R513		RK73GH2A202D	MG RESISTOR	2KΩ 1/10W D	1	E1	
R514		RK73GH2A433D	MG RESISTOR	43KΩ 1/10W D	1	E1	
R515		RK73GH2A822D	MG RESISTOR	8.2Ω 1/10W D	1	E1	
R540		RK73HB1J103J	MG RESISTOR	10KΩ 1/16W J	1	E1	
R541		RK73HB1J393D	MG RESISTOR	39KΩ 1/16W D	1	E1	
R542		RK73HB1J200J	MG RESISTOR	20Ω 1/16W J	1	E1	
R543		RK73HB1J163D	MG RESISTOR	16KΩ 1/16W D	1	E1	
R544		RK73HB1J513D	MG RESISTOR	51KΩ 1/16W D	1	E1	
R545		RK73HB1J683D	MG RESISTOR	68KΩ 1/16W D	1	E1	
R546		RK73PB2H100J	MG RESISTOR	10Ω 1/2W J	1	E1	
R547		RK73HB1J332J	MG RESISTOR	3.3KΩ 1/16W J	1	E1	
R548		RK73HB1J332J	MG RESISTOR	3.3KΩ 1/16W J	1	E1	
R557		RK73HB1J223J	MG RESISTOR	22KΩ 1/16W J	1	E1	
R558		RK73HB1J103J	MG RESISTOR	10KΩ 1/16W J	1	E1	
R580		RK73HB1J393D	MG RESISTOR	39KΩ 1/16W D	1	E1	
R581		RK73HB1J152D	MG RESISTOR	1.5KΩ 1/16W D	1	E1	
R582		RK73HB1J104D	MG RESISTOR	100KΩ 1/16W D	1	E1	
R583		RK73HB1J103D	MG RESISTOR	10KΩ 1/16W D	1	E1	
R584		RK73PB2H100J	MG RESISTOR	10Ω 1/2W J	1	E1	
R585		RK73HB1J394D	MG RESISTOR	390KΩ 1/16W D	1	E1	
R586		RK73HB1J000J	MG RESISTOR	0Ω 1/16W J	1	E1	
R587		RK73HB1J164D	MG RESISTOR	160KΩ 1/16W D	1	E1	
R588		RK73HB1J000J	MG RESISTOR	0Ω 1/16W J	1	E1	
R589		RK73HB1JAR7J	MG RESISTOR	4.7Ω 1/16W J	1	K2,K1	
R591		RK73HB1J563D	MG RESISTOR	56KΩ 1/16W D	1	K0,E2,X1,Q1	
R592		NR20126-R062X	MG RESISTOR	0.062Ω 1/3W J	1	K0,E2,X1,Q1	
R593		RK73EB2E360J	MG RESISTOR	56Ω 1/4W J	1	K2,K1	
R594		RK73HB1J101J	MG RESISTOR	100Ω 1/16W J	1	K0,E2,X1,Q1	
R600		RK73GB2A000J	MG RESISTOR	0Ω 1/10W J	1	K0,E2,X1,Q1	
R601		RK73GB2A240J	MG RESISTOR	24Ω 1/10W J	1	K0,E2,X1,Q1	
R602		RK73GB2A474J	MG RESISTOR	470KΩ 1/10W J	1	K0,E2,X1,Q1	
R603		RK73GB2A474J	MG RESISTOR	470KΩ 1/10W J	1	K0,E2,X1,Q1	
R606		RK73GB2A222J	MG RESISTOR	2.2KΩ 1/10W J	1	K0,E2,X1,Q1	
R609		RK73GB2A222J	MG RESISTOR	2.2KΩ 1/10W J	1	K0,E2,X1,Q1	
R610		RK73GB2A103J	MG RESISTOR	10KΩ 1/10W J	1	K0,E2,X1,Q1	
R611		RK73GB2A471J	MG RESISTOR	470Ω 1/10W J	1	K0,E2,X1,Q1	
R613		RK73GB2A470J	MG RESISTOR	47Ω 1/10W J	1	K0,E2,X1,Q1	
R614		RK73GB2A470J	MG RESISTOR	47Ω 1/10W J	1	K0,E2,X1,Q1	

MODEL	MARK	MODEL	MARK	MODEL	MARK	MODEL	MARK
DDX394	K0	DDX4017BT	E2	DDX4017BT	X1	DDX4017BTR	Q1
DDX4017DAB	E1	DDX574BH	K2	DDX594	K1		

Safe	Symbol No.	Parts No.	Parts Name	Description	QTY	Local
	R615	RK73HB1J47J	MG RESISTOR	47Ω 1/16W J	1	K0,E2,X1,Q1
	R617	RK73GB2A00J	MG RESISTOR	0Ω 1/10W J	1	E2,X1,Q1
	R618	RK73GB2A00J	MG RESISTOR	15Ω 1/10W J	1	K0,E2,X1,Q1
	R619	RK73GB2A00J	MG RESISTOR	0Ω 1/10W J	1	K0,E2,X1,Q1
	R620	RK73GB2A00J	MG RESISTOR	0Ω 1/10W J	1	K0,E2,X1,Q1
	R621	RK73GB2A102J	MG RESISTOR	1KΩ 1/10W J	1	K0,E2,X1,Q1
	R622	RK73EB2E00J	MG RESISTOR	0Ω 1/4W J	1	K0,E2,X1,Q1
	R623	RK73GB2A00J	MG RESISTOR	0Ω 1/10W J	1	K0,E2,X1,Q1
	R624	RK73HB1J00J	MG RESISTOR	0Ω 1/16W J	1	K0,E2,X1,Q1
	R625	RK73GB2A00J	MG RESISTOR	0Ω 1/10W J	1	K0,E2,X1,Q1
	R626	RK73GB2A00J	MG RESISTOR	0Ω 1/10W J	1	K0,E2,X1,Q1
	R627	RK73GB2A00J	MG RESISTOR	0Ω 1/10W J	1	K0,E2,X1,Q1
	R628	RK73HB1J223J	MG RESISTOR	22KΩ 1/16W J	1	K0,E2,X1,Q1
	R631	RK73GB2A00J	MG RESISTOR	0Ω 1/10W J	1	K0,E2,X1,Q1
	R632	RK73HB1J00J	MG RESISTOR	0Ω 1/16W J	1	K0,E2,X1,Q1
	R634	RK73HB1J00J	MG RESISTOR	0Ω 1/16W J	1	K0,E2,X1,Q1
	R635	NR20084-0R0X	MG RESISTOR	0Ω	1	K0,E2,X1,Q1
	R650	RK73GB2A47J	MG RESISTOR	47Ω 1/10W J	1	
	R651	RK73GB2A47J	MG RESISTOR	47Ω 1/10W J	1	
	R652	RK73GB2A00J	MG RESISTOR	0Ω 1/10W J	1	
	R653	RK73HB1J473J	MG RESISTOR	47KΩ 1/16W J	1	E1,K2,K1
	R721	RK73HB1J474J	MG RESISTOR	470KΩ 1/16W J	1	
	R722	RK73HB1J473J	MG RESISTOR	47KΩ 1/16W J	1	
	R723	RK73HB1J473J	MG RESISTOR	47KΩ 1/16W J	1	
	R725	RK73HB1J123J	MG RESISTOR	12KΩ 1/16W J	1	
	R726	RK73HB1J123J	MG RESISTOR	12KΩ 1/16W J	1	
	R728	RK73HB1J753J	MG RESISTOR	75KΩ 1/16W J	1	E2,X1,Q1,E1
	R729	RK73HB1J753J	MG RESISTOR	75KΩ 1/16W J	1	K0,K2,K1
	R730	RK73HB1J753J	MG RESISTOR	75KΩ 1/16W J	1	
	R731	RK73HB1J223J	MG RESISTOR	22KΩ 1/16W J	1	E2,X1,E1
	R732	RK73HB1J753J	MG RESISTOR	75KΩ 1/16W J	1	Q1
	R733	RK73HB1J54J	MG RESISTOR	150KΩ 1/16W J	1	K0,Q1,K2,K1
	R734	RK73HB1J753J	MG RESISTOR	75KΩ 1/16W J	1	E2,E1
	R734	RK73HB1J223J	MG RESISTOR	22KΩ 1/16W J	1	X1
	R734	RK73HB1J54J	MG RESISTOR	150KΩ 1/16W J	1	
	R735	RK73HB1J473J	MG RESISTOR	47KΩ 1/16W J	1	
	R736	RK73HB1J473J	MG RESISTOR	47KΩ 1/16W J	1	
	R738	RK73HB1J332J	MG RESISTOR	3.3KΩ 1/16W J	1	
	R739	RK73HB1J101J	MG RESISTOR	100Ω 1/16W J	1	
	R740	RK73HB1J101J	MG RESISTOR	100Ω 1/16W J	1	
	R741	RK73HB1J102J	MG RESISTOR	1KΩ 1/16W J	1	
	R742	RK73HB1J102J	MG RESISTOR	1KΩ 1/16W J	1	
	R743	RK73GB2A47J	MG RESISTOR	47KΩ 1/10W J	1	
	R745	RK73HB1J473J	MG RESISTOR	47KΩ 1/16W J	1	
	R746	RK73HB1J473J	MG RESISTOR	47KΩ 1/16W J	1	
	R747	RK73HB1J473J	MG RESISTOR	47KΩ 1/16W J	1	
	R748	RK73HB1J123J	MG RESISTOR	12KΩ 1/16W J	1	
	R749	RK73HB1J101J	MG RESISTOR	100Ω 1/16W J	1	
	R750	RK73HB1J153J	MG RESISTOR	15KΩ 1/16W J	1	
	R751	RK73HB1J101J	MG RESISTOR	100Ω 1/16W J	1	
	R752	RK73HB1J102J	MG RESISTOR	1KΩ 1/16W J	1	
	R753	RK73HB1J223J	MG RESISTOR	22KΩ 1/16W J	1	
	R794	RK73HB1J124J	MG RESISTOR	120KΩ 1/16W J	1	K0,E2,X1,Q1
	R754	RK73HB1J753J	MG RESISTOR	75KΩ 1/16W J	1	E1
	R755	RK73HB1J154J	MG RESISTOR	150KΩ 1/16W J	1	K0,E2,X1,Q1
	R755	RK73HB1J753J	MG RESISTOR	75KΩ 1/16W J	1	K2,K1
	R756	RK73HB1J753J	MG RESISTOR	75KΩ 1/16W J	1	K0,E2,X1,E1,K2,K1
	R756	RK73HB1J54J	MG RESISTOR	150KΩ 1/16W J	1	Q1
	R757	RK73HB1J103J	MG RESISTOR	10KΩ 1/16W J	1	Q1
	R757	RK73HB1J124J	MG RESISTOR	120KΩ 1/16W J	1	K0,K2,K1
	R758	RK73GB2A154J	MG RESISTOR	150KΩ 1/10W J	1	Q1
	R759	RK73HB1J104J	MG RESISTOR	100KΩ 1/16W J	1	
	R760	RK73HB1J101J	MG RESISTOR	100Ω 1/16W J	1	
	R761	RK73HB1J473J	MG RESISTOR	47KΩ 1/16W J	1	
	R762	RK73HB1J101J	MG RESISTOR	100Ω 1/16W J	1	
	R763	RK73HB1J101J	MG RESISTOR	100Ω 1/16W J	1	
	R764	RK73HB1J473J	MG RESISTOR	47KΩ 1/16W J	1	
	R765	RK73HB1J472J	MG RESISTOR	47KΩ 1/16W J	1	
	R766	RK73HB1J101J	MG RESISTOR	100Ω 1/16W J	1	
	R767	RK73GB2A47J	MG RESISTOR	47KΩ 1/10W J	1	
	R768	RK73HB1J473J	MG RESISTOR	47KΩ 1/16W J	1	
	R770	RK73HB1J101J	MG RESISTOR	100Ω 1/16W J	1	
	R771	RK73HB1J473J	MG RESISTOR	47KΩ 1/16W J	1	
	R772	RK73HB1J473J	MG RESISTOR	47KΩ 1/16W J	1	
	R773	RK73HB1J101J	MG RESISTOR	100Ω 1/16W J	1	
	R774	RK73HB1J473J	MG RESISTOR	47KΩ 1/16W J	1	K0,K1
	R775	RK73HB1J753J	MG RESISTOR	75KΩ 1/16W J	1	E2,X1,Q1,E1,K2
	R776	RK73HB1J68J	MG RESISTOR	68Ω 1/16W J	1	
	R779	RK73HB1J753J	MG RESISTOR	75KΩ 1/16W J	1	
	R780	RK73HB1J101J	MG RESISTOR	100Ω 1/16W J	1	
	R781	RK73HB1J472J	MG RESISTOR	47KΩ 1/16W J	1	
	R784	RK73HB1J472J	MG RESISTOR	47KΩ 1/16W J	1	K0,E2,X1,E1,K2,K1
	R787	RK73HB1J101J	MG RESISTOR	100Ω 1/16W J	1	
	R788	RK73HB1J101J	MG RESISTOR	100Ω 1/16W J	1	
	R789	RK73HB1J473J	MG RESISTOR	47KΩ 1/16W J	1	K0,E2,X1,E1,K2,K1
	R790	RK73HB1J101J	MG RESISTOR	100Ω 1/16W J	1	

MODEL	MARK	MODEL	MARK	MODEL	MARK	MODEL	MARK
DDX394	K0	DDX4017BT	E2	DDX4017BT	X1	DDX4017BT1R	Q1
DDX4017DAB	E1	DDX574BH	K2	DDX594	K1		

Safe	Symbol No.	Parts No.	Parts Name	Description	QTY	Local	
	R791	RK73HB1J101J	MG RESISTOR	100Ω 1/16W J	1		K0,E2,X1,E1,K2,K1
	R792	RK73GB2A272J	MG RESISTOR	2.7KΩ 1/10W J	1		
	R793	RK73GB2A272J	MG RESISTOR	2.7KΩ 1/10W J	1		
	R794	RK73HB1J473J	MG RESISTOR	47KΩ 1/16W J	1		
	R795	RK73HB1J101J	MG RESISTOR	100Ω 1/16W J	1		
	R800	RK73HB1J222J	MG RESISTOR	2.2KΩ 1/16W J	1		
	R801	RK73HB1J101J	MG RESISTOR	100Ω 1/16W J	1		
	R802	RK73HB1J472J	MG RESISTOR	4.7KΩ 1/16W J	1		
	R803	RK73HB1J104J	MG RESISTOR	100KΩ 1/16W J	1		
	R804	RK73HB1J473J	MG RESISTOR	47KΩ 1/16W J	1		K0,X1,K2,K1
	R805	RK73HB1J753J	MG RESISTOR	75KΩ 1/16W J	1		E2,Q1,E1
	R806	RK73HB1J473J	MG RESISTOR	47KΩ 1/16W J	1		E2,X1,Q1,E1
	R807	RK73HB1J753J	MG RESISTOR	75KΩ 1/16W J	1		K0,K2,K1
	R809	RK73HB1J106J	MG RESISTOR	10MΩ 1/16W J	1		
	R811	RK73HB1J000J	MG RESISTOR	0Ω 1/16W J	1		
	R812	RK73HB1J101J	MG RESISTOR	100Ω 1/16W J	1		
	R814	RK73HB1J470J	MG RESISTOR	47Ω 1/16W J	1		
	R815	RK73HB1J470J	MG RESISTOR	47Ω 1/16W J	1		
	R816	RK73HB1J470J	MG RESISTOR	47Ω 1/16W J	1		
	R817	RK73HB1J470J	MG RESISTOR	47Ω 1/16W J	1		
	R818	RK73HB1J470J	MG RESISTOR	47Ω 1/16W J	1		
	R819	RK73HB1J470J	MG RESISTOR	47Ω 1/16W J	1		
	R820	RK73HB1J101J	MG RESISTOR	100Ω 1/16W J	1		
	R821	RK73HB1J101J	MG RESISTOR	100Ω 1/16W J	1		
	R822	RK73HB1J470J	MG RESISTOR	47Ω 1/16W J	1		
	R823	RK73HB1J470J	MG RESISTOR	47Ω 1/16W J	1		
	R830	RK73HB1J473J	MG RESISTOR	47KΩ 1/16W J	1		
	R831	RK73HB1J223J	MG RESISTOR	22KΩ 1/16W J	1		
	R832	RK73GB2A223J	MG RESISTOR	22KΩ 1/16W J	1		
	R840	RK73HB1J473J	MG RESISTOR	47KΩ 1/16W J	1		K0,E2,X1,E1,K2,K1
	R841	RK73HB1J272J	MG RESISTOR	2.7KΩ 1/16W J	1		K0,E2,X1,E1,K2,K1
	R842	RK73GB2A272J	MG RESISTOR	2.7KΩ 1/16W J	1		K0,K2,K1
	R843	RK73HB1J101J	MG RESISTOR	100Ω 1/16W J	1		
	R844	RK73HB1J473J	MG RESISTOR	47KΩ 1/16W J	1		K0,K2,K1
	R845	RK73HB1J272J	MG RESISTOR	2.7KΩ 1/16W J	1		K0,K2,K1
	R846	RK73HB1J101J	MG RESISTOR	100Ω 1/16W J	1		K0,K2,K1
	R847	RK73HB1J101J	MG RESISTOR	100Ω 1/16W J	1		K0,K2,K1
	R860	RK73HB1J470J	MG RESISTOR	47Ω 1/16W J	1		
	R861	RK73HB1J513D	MG RESISTOR	51KΩ 1/16W D	1		
	R862	RK73HB1J200J	MG RESISTOR	20Ω 1/16W J	1		
	R863	RK73HH1J163D	MG RESISTOR	16KΩ 1/16W D	1		
	R864	RK73HH1J513D	MG RESISTOR	51KΩ 1/16W D	1		
	R865	RK73PB2H100J	MG RESISTOR	10Ω 1/2W J	1		
	R866	RK73GB2A000J	MG RESISTOR	0Ω 1/10W J	1		
	R890	RK73HH1J123D	MG RESISTOR	12KΩ 1/16W D	1		
	R900	RK73GH2A303D	MG RESISTOR	30KΩ 1/10W D	1		
	R901	RK73GH2A363D	MG RESISTOR	36KΩ 1/10W D	1		K0,K1
	R901	RK73GH2A273D	MG RESISTOR	27KΩ 1/10W D	1		E2,X1,Q1,E1,K2
	R902	RK73GH2A103D	MG RESISTOR	10KΩ 1/10W D	1		
	R903	RK73GH2A622D	MG RESISTOR	6.2KΩ 1/10W D	1		K0,K1
	R904	RK73GH2A332D	MG RESISTOR	3.3KΩ 1/10W D	1		E2,X1,Q1,E1,K2
	R904	RK73EB2E100J	MG RESISTOR	10Ω 1/4W J	1		
	R921	RK73EB2E000J	MG RESISTOR	0Ω 1/4W J	1		
	R922	RK73GB2A103J	MG RESISTOR	10KΩ 1/10W J	1		
	R923	RK73GB2A223J	MG RESISTOR	22KΩ 1/10W J	1		
	R924	RK73GB2A471J	MG RESISTOR	470Ω 1/10W J	1		
	R930	RK73HB1J153J	MG RESISTOR	15KΩ 1/16W J	1		
	R931	RK73HB1J104J	MG RESISTOR	100KΩ 1/16W J	1		
	R932	RK73HB1J912J	MG RESISTOR	9.1KΩ 1/16W J	1		
	R933	RK73HB1J000J	MG RESISTOR	0Ω 1/16W J	1		
	R934	RK73HB1J101J	MG RESISTOR	100Ω 1/16W J	1		E2,X1,E1
	R936	RK73HB1J101J	MG RESISTOR	100Ω 1/16W J	1		
	R950	RK73HH1J224D	MG RESISTOR	220KΩ 1/16W D	1		
	R951	RK73GB2A224J	MG RESISTOR	220KΩ 1/16W J	1		
	R952	RK73HB1J224J	MG RESISTOR	15KΩ 1/4W J	1		
	R953	RK73EB2E153J	MG RESISTOR	300KΩ 1/16W J	1		
	R954	RK73HB1J304J	MG RESISTOR	300KΩ 1/16W J	1		
	R955	RK73HB1J304J	MG RESISTOR	300KΩ 1/16W J	1		
	R956	RK73EB2E102J	MG RESISTOR	1KΩ 1/4W J	1		
	R957	RK73EB2E102J	MG RESISTOR	1KΩ 1/4W J	1		
	R958	RK73EB2E102J	MG RESISTOR	1KΩ 1/4W J	1		
	R959	RK73HB1J623J	MG RESISTOR	62KΩ 1/16W J	1		
	R960	RK73HB1J101J	MG RESISTOR	100Ω 1/16W J	1		
	R970	RK73HH1J513D	MG RESISTOR	51KΩ 1/16W D	1		
	R971	RK73HH1J104D	MG RESISTOR	100KΩ 1/16W D	1		
	R972	RK73GH2A333D	MG RESISTOR	33KΩ 1/10W D	1		
	R973	RK73HH1J304D	MG RESISTOR	300KΩ 1/16W D	1		
	R974	RK73GH2A304D	MG RESISTOR	300KΩ 1/10W D	1		
	R975	RK73HB1J224J	MG RESISTOR	220KΩ 1/16W J	1		
	R976	RK73HB1J000J	MG RESISTOR	0Ω 1/16W J	1		
	R977	RK73HH1J104D	MG RESISTOR	100KΩ 1/16W D	1		
	R978	RK73HH1J154D	MG RESISTOR	150KΩ 1/16W D	1		
	R979	RK73HB1J224J	MG RESISTOR	220KΩ 1/16W J	1		
	R980	RK73GB2A224J	MG RESISTOR	220KΩ 1/10W J	1		
	R981	RK73HB1J224J	MG RESISTOR	220KΩ 1/16W J	1		
	R981	RK73HB1J000J	MG RESISTOR	0Ω 1/16W J	1		
	R981	RK73GB2A104J	MG RESISTOR	100KΩ 1/10W J	1		E2,X1,Q1,E1
	R991	RK73GB2A104J	MG RESISTOR	100KΩ 1/10W J	1		E2,X1,Q1,E1
	R992	RK73GH2A472D	MG RESISTOR	4.7KΩ 1/10W D	1		E2,X1,Q1,E1
	R993	RK73GH2A472D	MG RESISTOR	4.7KΩ 1/10W D	1		E2,X1,Q1,E1
	R994	RK73EB2E511J	MG RESISTOR	510Ω 1/4W J	1		
	R995	RK73EB2E511J	MG RESISTOR	510Ω 1/4W J	1		E2,X1,Q1,E1

MODEL	MARK	MODEL	MARK	MODEL	MARK	MODEL	MARK
DDX394	K0	DDX4017BT	E2	DDX4017BT	X1	DDX4017BT1R	Q1
DDX4017DAB	E1	DDX574BH	K2	DDX594	K1		

Safe	Symbol No.	Parts No.	Parts Name	Description	QTY	Local
	R996	RK73GB2A152J	MG RESISTOR	1.5KΩ 1/10W J	1	E2,X1,Q1,E1
	R997	RK73GB2A152J	MG RESISTOR	1.5KΩ 1/10W J	1	E2,X1,Q1,E1
	R998	RK73GB2A102J	MG RESISTOR	1KΩ 1/10W J	1	E2,X1,Q1,E1
	R999	RK73GB2A102J	MG RESISTOR	1KΩ 1/10W J	1	E2,X1,Q1,E1
	R1000	RK73GB2A681J	MG RESISTOR	680Ω 1/10W J	1	E2,X1,Q1,E1
	R1001	RK73GB2A681J	MG RESISTOR	680Ω 1/10W J	1	E2,X1,Q1,E1
	R1010	RK73HB1J124J	MG RESISTOR	120KΩ 1/16W J	1	K0,E2,X1,Q1,E1
	R1011	RK73HB1J154J	MG RESISTOR	150KΩ 1/16W J	1	K0,E2,X1,Q1,E1
	R1011	RK73HB1J753J	MG RESISTOR	75KΩ 1/16W J	1	K2,K1
	R1012	RK73HB1J753J	MG RESISTOR	75KΩ 1/16W J	1	K0,E2,X1,E1K2,K1
	R1013	RK73HB1J473J	MG RESISTOR	47KΩ 1/16W J	1	E2,X1,Q1,E1,K2
	R1014	RK73HB1J124J	MG RESISTOR	120KΩ 1/16W J	1	K0,K1
	R1015	RK73HB1J154J	MG RESISTOR	150KΩ 1/16W J	1	E2,X1,Q1,E1,K2
	R1016	RK73FB2B000J	MG RESISTOR	0Ω 1/8W J	1	K0,K2,K1
	R1017	RK73FB2B000J	MG RESISTOR	0Ω 1/8W J	1	K0,K2,K1
	R1018	RK73FB2B000J	MG RESISTOR	0Ω 1/8W J	1	K0,K2,K1
	R1019	RK73FB2B000J	MG RESISTOR	0Ω 1/8W J	1	K0,K2,K1
	R1020	RK73GB2A000J	MG RESISTOR	0Ω 1/10W J	1	
	R1034	RK73HB1J473J	MG RESISTOR	47KΩ 1/16W J	1	
	R1035	RK73GB2A103J	MG RESISTOR	10KΩ 1/10W J	1	
	R1047	RK73HH1J100D	MG RESISTOR	10Ω 1/16W D	1	
	R1053	RK73EB2E000J	MG RESISTOR	0Ω 1/4W J	1	
	R1056	RK73GB2A102J	MG RESISTOR	1KΩ 1/10W J	1	
	R1057	RK73GB2A512J	MG RESISTOR	5.1KΩ 1/10W J	1	
	R1062	RK73GB2A000J	MG RESISTOR	0Ω 1/10W J	1	
	R1063	RK73GB2A000J	MG RESISTOR	0Ω 1/10W J	1	
	R1066	RK73GB2A000J	MG RESISTOR	0Ω 1/10W J	1	
	R1068	RK73GB2A000J	MG RESISTOR	0Ω 1/10W J	1	
	R1209	RK73EB2E000J	MG RESISTOR	0Ω 1/4W J	1	
	L60	L3D-0044-00	CHOKE COIL		1	
	L480	LR73Z0AD4R7M	CHIP INDUCTOR	4.7uH	1	
	L481	LR73Z0AD4R7M	CHIP INDUCTOR	4.7uH	1	
	L482	LR79Z0AG100M	CHIP INDUCTOR	10uH	1	
	L500	LR79Z0AJA150M	CHIP INDUCTOR		1	
	L540	LR79Z0AV100M	CHIP INDUCTOR		1	
	L380	NQLLEW-470X	INDUCTOR	10uH	1	
	L381	NQR0154-005X	FERRITE CORE	47uH M	1	
	L582	NQR0154-005X	FERRITE CORE		1	
	L600	LR73Z0AD4R7M	CHIP INDUCTOR	4.7uH	1	
	L601	LR73Z0AD4R7M	CHIP INDUCTOR	4.7uH	1	
	L602	LK73G0BER12K	M.CHIP INDUCTOR		1	K0,E2,X1,Q1
	L604	LK73G0BE1R8K	M.CHIP INDUCTOR		1	K0,E2,X1,Q1
	L605	LK73G0BER39K	M.CHIP INDUCTOR		1	K0,E2,X1,Q1
	L607	L1K-0001-00	BALUN TRANS		1	K0,E2,X1,Q1
	L609	LK73G0BE100K	M.CHIP INDUCTOR		1	K0,E2,X1,Q1
	L610	LK73G0BER15K	M.CHIP INDUCTOR		1	K0,E2,X1,Q1
	L611	LK73G0BER2NK	M.CHIP INDUCTOR		1	K0,E2,X1,Q1
	L720	NCR0199-003X	FERRITE BEADS		1	K0,E2,X1,Q1
	L743	RK73HB1J101J	MG RESISTOR	100Ω 1/16W J	1	
	L744	RK73HB1J101J	MG RESISTOR	100Ω 1/16W J	1	
	L783	LB73H0BG-003	CHIP FERRITE		1	
	L786	LB73H0BG-003	CHIP FERRITE		1	
	L824	RK73HB1J101J	MG RESISTOR	100Ω 1/16W J	1	
	L825	RK73HB1J101J	MG RESISTOR	100Ω 1/16W J	1	
	L826	RK73HB1J101J	MG RESISTOR	100Ω 1/16W J	1	
	L827	RK73HB1J101J	MG RESISTOR	100Ω 1/16W J	1	
	L860	LR79Z0AJA150M	CHIP INDUCTOR		1	
	L1010	NCR0559-010X	FERRITE BEADS		1	
	L1011	NCR0559-010X	FERRITE BEADS		1	
	L1012	LR73Z0AD4R7M	CHIP INDUCTOR	4.7uH	1	
	L1016	LK73Z0AK4R7M	M.CHIP INDUCTOR	4.7uH	1	E2,X1,Q1,E1
	L1017	LK73Z0AK4R7M	M.CHIP INDUCTOR	4.7uH	1	E2,X1,Q1,E1
	L1018	LK73Z0AK4R7M	M.CHIP INDUCTOR	4.7uH	1	E2,X1,Q1,E1
	L1019	LK73Z0AK4R7M	M.CHIP INDUCTOR	4.7uH	1	E2,X1,Q1,E1
	AT600	QAM1484-001	CAR CABLE		1	E1
	AT601	ONB0356-001	ANT TERMINAL		1	K0,E2,X1,Q1,K2,K1
	CN60	OGA2501C1-02	W TO B CONNE	W-B (1-2)	1	
	CN80	OGA2001C1-05	W TO B CONNE	W-B (1-5)	1	
	CN81	OGA1501F1-03	W TO B CONNE	W-B (1-3)	1	
	CN130	OGA2001C1-02	W TO B CONNE	W-B (1-2)	1	K0,X1,K2,K1
	CN220	OGF0534FT-08X	FFC/FFC CONNE	FFC/FFC (1-8)	1	
	CN410	OGA2501C1-02	W TO B CONNE	W-B (1-2)	1	
	CN480	OGF0534FT-35X	FFC/FFC CONNE	FFC/FFC (1-35)	1	
	CN650	OGFH0534FT-60X	FFC/FFC CONNE	FFC/FFC (1-60)	1	
	CN652	OGFH0534FT-26X	FFC/FFC CONNE	FFC/FFC (1-26)	1	K0,K2,K1
	CN654	OGFH0534FT-22X	FFC/FFC CONNE	FFC/FFC (1-22)	1	E2,X1,Q1,E1
	F100	F53-0513-08	PATTERN FUSE	4A	1	
	F130	F53-0513-08	PATTERN FUSE	4A	1	
	F131	F53-0513-08	PATTERN FUSE	4A	1	
	F270	F53-0513-08	PATTERN FUSE	4A	1	
	F580	FZA10BF-1R0	PATTERN FUSE	1A	1	
	F920	FZA10BF-4R0	FUSE (CC)		1	
	FL80	L7K-0038-00	FILTER		1	
	J60	ESJ-0139-00	R.RECEPTACLE		1	
	J100	ONS0291-001	3.5 JACK		1	
	J130	ONND0890-001	PIN JACK		1	
	J220	ONS0307-001	3.5 JACK		1	
	J270	ONND0889-001	PIN JACK		1	
	J600	GOK-0013-00	SPRING		1	K0,E2,X1,Q1

MODEL	MARK	MODEL	MARK	MODEL	MARK	MODEL	MARK
DDX394	K0	DDX4017BT	E2	DDX4017BT	X1	DDX4017B1R	Q1
DDX4017DAB	E1	DDX574BH	K2	DDX594	K1		

Safe	Symbol No.	Parts No.	Parts Name	Description	QTY	Local
	VA100	SDV1005E18/1	VARISTOR		1	
	VA101	SDV1005E18/1	VARISTOR		1	
	VA102	SDV1005A14/0	VARISTOR		1	
	VA103	SDV1005A14/0	VARISTOR		1	
	VA130	SDV1005E18/1	VARISTOR		1	
	VA131	SDV1005E18/1	VARISTOR		1	K0,X1,K2,K1
	VA132	SDV1005E18/1	VARISTOR		1	
	VA220	SDV1005A14/0	VARISTOR		1	
	VA221	SDV1005A14/0	VARISTOR		1	
	VA250	SDV1005A14/0	VARISTOR		1	
	VA251	SDV1005A14/0	VARISTOR		1	
	VA320	SDV1005A14/0	VARISTOR		1	
	VA330	SDV1005A14/0	VARISTOR		1	
	VA340	SDV1005A14/0	VARISTOR		1	
	VA350	SDV1005A14/0	VARISTOR		1	
	VA410	SDV1005E18/1	VARISTOR		1	
	VA411	SDV1005A14/0	VARISTOR		1	
	VA606	NAF0024-001X	ESD SUPPRESSOR		1	
	VA1010	NAF0029-002X	ESD SUPPRESSOR		1	
	X600	L7J-0021-00	QUARTZ CRYSTAL		1	
	X720	L7J-0123-00	QUARTZ CRYSTAL		1	K0,E2,X1,Q1
	X721	L7J-0105-00	QUARTZ CRYSTAL		1	

BT PWB ASSY (XJ5-001K-0x) <XJ5>

C1301	CK73HXR1A104K	C CAPACITOR	0.1uF 10V K	1	
C1302	CK73HXR1A105K	C CAPACITOR	1uF 10V K	1	
C1304	CK73GXR1H104K	C CAPACITOR	0.1uF 50V K	1	
C1305	CK73FXR0J106K	C CAPACITOR	10uF 6.3V K	1	
C1306	CK73HXR1C103K	C CAPACITOR	0.01uF 16V K	1	
C1317	CK73HXR1A105K	C CAPACITOR	1uF 10V K	1	
R1302	RK73GB2A000J	MG RESISTOR	0Ω 1/10W J	1	
R1304	RK73HB1J000J	MG RESISTOR	0Ω 1/16W J	1	
R1305	RK73HB1J220J	MG RESISTOR	22Ω 1/16W J	1	
R1306	RK73HB1J103J	MG RESISTOR	10KΩ 1/16W J	1	
R1307	RK73HB1J103J	MG RESISTOR	10KΩ 1/16W J	1	
R1308	RK73HB1J470J	MG RESISTOR	47Ω 1/16W J	1	
R1309	RK73HB1J470J	MG RESISTOR	47Ω 1/16W J	1	
R1310	RK73HB1J470J	MG RESISTOR	47Ω 1/16W J	1	
R1311	RK73HB1J470J	MG RESISTOR	47Ω 1/16W J	1	
R1312	RK73HB1J220J	MG RESISTOR	22Ω 1/16W J	1	
R1313	RK73HB1J220J	MG RESISTOR	22Ω 1/16W J	1	
R1316	RK73HB1J470J	MG RESISTOR	47Ω 1/16W J	1	K0,E2,X1,Q1,E1
R1317	RK73GB2A470J	MG RESISTOR	47Ω 1/10W J	1	
R1318	RK73GB2A470J	MG RESISTOR	47Ω 1/10W J	1	

CONTROL PWB ASSY (XJ6-0620-10) <XJ6>

R1319	RK73GB2A470J	MG RESISTOR	47Ω 1/10W J	1	
L1302	LR73Z0AD4R7M	CHIP INDUCTOR	4.7uH	1	
A1301	W0C-0167-00	CIRCUIT MODULE		1	K0,E2,X1,Q1,E1
A1301	W0C-0168-10	CIRCUIT MODULE		1	K2,K1
CN1301	QGF0534FT-22X	FFC/FPC CONNE	FFC/FPC (1-22)	1	
CN1302	QGF0534FT-08X	FFC/FPC CONNE	FFC/FPC (1-8)	1	

VIDEO PWB ASSY (XJ8-038K-0x) <XJ8>

IC1400	MF1337S395901	MCU IC		1	
IC1500	BU15TD3WG-W	IC		1	

MODEL	MARK	MODEL	MARK	MODEL	MARK	MODEL	MARK
DDX394	K0	DDX4017BT	E2	DDX4017BT	X1	DDX4017BT1R	
DDX4017DAB	E1	DDX574BH	K2	DDX594	K1		Q1

Safe	Symbol No.	Parts No.	Parts Name	Description	QTY	Local
	IC1550	BD001A5WEEF J	ANALOG IC		1	
	IC1560	BU33TD3WG	MOS IC		1	
	IC1600	ML86250L AZ07F	MOS IC	BGA	1	
	IC1880	BA2904FVM	MOS IC		1	
	IC1881	NJMT1100F1	ANALOG IC		1	
	IC1901	M12L25116A6T2	DRAM IC		1	
	IC1902	M12L25116A6T2	DRAM IC		1	
	IC1940	WF3-0248-00	ROM IC		1	
	IC1940	WF3-0247-00	ROM IC		1	
	IC2200	STA1090	MPU IC	BGA	1	K0,K1
	Q1400	LSAR923UBFES8	TRANSISTOR		1	E2,X1,Q1,E1,K2
	Q1580	LSAR523UBFES8	TRANSISTOR		1	
	Q1581	LTC014YEBFS8	DIGI TRANSISTOR		1	
	Q1619	LTC014EUBFS8	DIGI TRANSISTOR		1	
	Q1800	LSCR523UBFES8	TRANSISTOR		1	
	Q1801	LSCR523UBFES8	TRANSISTOR		1	
	Q1802	LSCR523UBFES8	TRANSISTOR		1	
	Q1803	LSCR523UBFES8	TRANSISTOR		1	
	Q1804	LSCR523UBFES8	TRANSISTOR		1	
	Q1805	LSCR523UBFES8	TRANSISTOR		1	
	Q1806	LSCR523UBFES8	TRANSISTOR		1	
	Q1807	LSCR523UBFES8	TRANSISTOR		1	
	Q1808	LSCR523UBFES8	TRANSISTOR		1	
	Q1810	LTC014YEBFS8	DIGI TRANSISTOR		1	
	Q1811	LTC014YEBFS8	DIGI TRANSISTOR		1	
	Q1812	LTC014YEBFS8	DIGI TRANSISTOR		1	
	Q1813	LTC014YEBFS8	DIGI TRANSISTOR		1	
	Q1814	LSCR523UBFES8	TRANSISTOR		1	
	Q1815	LSCR523UBFES8	TRANSISTOR		1	
	Q1880	LSCR923UBFES8	TRANSISTOR		1	
	Q1881	LSAR523UBFES8	TRANSISTOR		1	
	Q1882	LSCR523UBFES8	TRANSISTOR		1	
	Q1883	LTC014YEBFS8	DIGI TRANSISTOR		1	
	Q1884	LTA014YEBFS8	DIGI TRANSISTOR		1	
	Q1885	LTC014YEBFS8	DIGI TRANSISTOR		1	
	Q1886	LSCR523UBFES8	TRANSISTOR		1	
	Q1887	LSCR523UBFES8	TRANSISTOR		1	
	Q1888	LTC014YEBFS8	DIGI TRANSISTOR		1	
	D1550	MBRX130	SCHOTTKY DIODE		1	
	D1794	RSB6.8SM-X	BP Z DIODE		1	
	D1795	RSB6.8SM-X	BP Z DIODE		1	
	D1796	RSB6.8SM-X	BP Z DIODE		1	
	D1797	RSB6.8SM-X	BP Z DIODE		1	
	D1881	DZ2J130M	ZENER DIODE		1	
	D1882	DZ2J180M	ZENER DIODE		1	
	D1883	1SS355VM	DIODE		1	
	D1992	RSB6.8SM-X	BP Z DIODE		1	
	C1400	CK73HXR1A104K	C CAPACITOR	0.1uF 10V K	1	
	C1900	CK73HXR1A105K	C CAPACITOR	1uF 10V K	1	
	C1501	CK73HXR1A105K	C CAPACITOR	1uF 10V K	1	
	C1550	CK73FXR0J106K	C CAPACITOR	10uF 6.3V K	1	
	C1551	CK73HXR1H103K	C CAPACITOR	0.01uF 50V K	1	
	C1553	CK73FXR1C475K	C CAPACITOR	4.7uF 16V K	1	
	C1554	CK73HXR1A105K	C CAPACITOR	1uF 10V K	1	
	C1355	CK73HXR1A105K	C CAPACITOR	1uF 10V K	1	
	C1561	CK73HXR1A104K	C CAPACITOR	0.1uF 10V K	1	
	C1562	CK73FXR0J106K	C CAPACITOR	10uF 6.3V K	1	
	C1563	CK73FXR0J106K	C CAPACITOR	10uF 6.3V K	1	
	C1580	CK73GBB1H103K	C CAPACITOR	0.01uF 50V K	1	
	C1632	CK73HXR1A104K	C CAPACITOR	0.1uF 10V K	1	
	C1633	CK73HXR1A104K	C CAPACITOR	0.1uF 10V K	1	
	C1634	CK73HXR1A104K	C CAPACITOR	0.1uF 10V K	1	
	C1635	CK73HXR1A104K	C CAPACITOR	0.1uF 10V K	1	
	C1637	CK73HXR1A104K	C CAPACITOR	0.1uF 10V K	1	
	C1638	CK73HXR1A104K	C CAPACITOR	0.1uF 10V K	1	
	C1640	CK73HXR1A104K	C CAPACITOR	0.1uF 10V K	1	
	C1641	CK73HXR1A104K	C CAPACITOR	0.1uF 10V K	1	
	C1642	CK73HXR1A104K	C CAPACITOR	0.1uF 10V K	1	
	C1643	CK73HXR1A104K	C CAPACITOR	0.1uF 10V K	1	
	C1644	CK73HXR1A104K	C CAPACITOR	0.1uF 10V K	1	
	C1646	CK73GXR0J106M	C CAPACITOR	10uF 6.3V M	1	
	C1647	CK73GXR0J106M	C CAPACITOR	10uF 6.3V M	1	
	C1649	CK73GXR0J106M	C CAPACITOR	10uF 6.3V M	1	
	C1650	CK73GXR0J106M	C CAPACITOR	10uF 6.3V M	1	
	C1651	CK73GXR0J106M	C CAPACITOR	10uF 6.3V M	1	
	C1652	CK73GXR0J106M	C CAPACITOR	10uF 6.3V M	1	
	C1653	CK73HXR1H103K	C CAPACITOR	0.01uF 50V K	1	
	C1654	CC73HCH1H102J	C CAPACITOR	1000pF 50V J	1	
	C1656	CK73HXR1H103K	C CAPACITOR	0.01uF 50V K	1	
	C1663	CK73HXR1A105K	C CAPACITOR	1uF 10V K	1	
	C1664	CK73HXR1A105K	C CAPACITOR	1uF 10V K	1	
	C1665	CK73HXR1A105K	C CAPACITOR	1uF 10V K	1	
	C1666	CC73HCH1H120J	C CAPACITOR	12pF 50V J	1	
	C1667	CC73HCH1H120J	C CAPACITOR	12pF 50V J	1	
	C1668	CK73HXR1A105K	C CAPACITOR	1uF 10V K	1	
	C1669	CK73HXR1A105K	C CAPACITOR	1uF 10V K	1	
	C1671	CK73HXR1A105K	C CAPACITOR	1uF 10V K	1	
	C1672	CK73GXR0J106M	C CAPACITOR	10uF 6.3V M	1	
	C1673	CK73GXR0J106M	C CAPACITOR	10uF 6.3V M	1	
	C1674	CK73GXR0J106M	C CAPACITOR	10uF 6.3V M	1	
	C1675	CK73GXR0J106M	C CAPACITOR	10uF 6.3V M	1	
	C1677	CK73HXR1A104K	C CAPACITOR	0.1uF 10V K	1	

MODEL	MARK	MODEL	MARK	MODEL	MARK	MODEL	MARK
DDX394	K0	DDX4017BT	E2	DDX4017BT	X1	DDX4017BT1R	Q1
DDX4017DAB	E1	DDX574BH	K2	DDX594	K1		

Safe	Symbol No.	Parts No.	Parts Name	Description	QTY	
					Local	
	C1678	CK73HXR1H472K	C CAPACITOR	4700pF 50V K	1	
	C1679	CK73GXR0J106M	C CAPACITOR	10uF 6.3V M	1	
	C1790	CG73HCH1H102J	C CAPACITOR	1000pF 50V J	1	
	C1791	CG73HCH1H102J	C CAPACITOR	1000pF 50V J	1	
	C1792	CG73HCH1H102J	C CAPACITOR	1000pF 50V J	1	
	C1793	CG73HCH1H102J	C CAPACITOR	1000pF 50V J	1	
	C1829	CK73GXR1H104K	C CAPACITOR	0.1uF 50V K	1	
	C1830	CK73HXR1A105K	C CAPACITOR	1uF 10V K	1	
	C1840	CK730BF1E475K	C CAPACITOR	4.7uF 25V K	1	
	C1841	CK73HXR1A104K	C CAPACITOR	0.1uF 10V K	1	
	C1844	CK73HXR1C104K	C CAPACITOR	0.1uF 16V K	1	
	C1845	CK73HXR1C104K	C CAPACITOR	0.1uF 16V K	1	
	C1846	CK73HXR1C104K	C CAPACITOR	0.1uF 16V K	1	
	C1872	CK73FXR1C106K	C CAPACITOR	10uF 16V K	1	
	C1873	CK73GXR1H104K	C CAPACITOR	0.1uF 50V K	1	
	C1874	CK73GXR1E105K	C CAPACITOR	1uF 25V K	1	
	C1875	CG73HCH1H101J	C CAPACITOR	100pF 50V J	1	
	C1880	CK73HXR1H103K	C CAPACITOR	0.01uF 30V K	1	
	C1881	CK73HXR1H103K	C CAPACITOR	0.01uF 50V K	1	
	C1882	CK73GXR1H104K	C CAPACITOR	0.1uF 50V K	1	
	C1883	CK730BF1E475K	C CAPACITOR	4.7uF 25V K	1	
	C1884	CK73GXR1E105K	C CAPACITOR	1uF 25V K	1	
	C1885	CK73GXR1E105K	C CAPACITOR	1uF 25V K	1	
	C1886	CK73GXR1E105K	C CAPACITOR	1uF 25V K	1	
	C1887	CK73GXR1H104K	C CAPACITOR	0.1uF 50V K	1	
	C1888	CK73GXR1H104K	C CAPACITOR	0.1uF 50V K	1	
	C1889	CK73GXR1E105K	C CAPACITOR	1uF 25V K	1	
	C1890	CK73GXR1H104K	C CAPACITOR	0.1uF 50V K	1	
	C1891	CK73FXR0J106K	C CAPACITOR	10uF 6.3V K	1	
	C1892	CK73HXR1A104K	C CAPACITOR	0.1uF 10V K	1	
	C1893	CK73HXR1A104K	C CAPACITOR	0.1uF 10V K	1	
	C1894	CK73HXR1A104K	C CAPACITOR	0.1uF 10V K	1	
	C1895	CK73FXR0J106K	C CAPACITOR	10uF 6.3V K	1	
	C1896	CK73HXR1A104K	C CAPACITOR	0.1uF 10V K	1	
	C1897	CK73HXR1A105K	C CAPACITOR	1uF 10V K	1	
	C1898	CK73HXR1A104K	C CAPACITOR	0.1uF 10V K	1	
	C1899	CK730BF1E475K	C CAPACITOR	4.7uF 25V K	1	
	C1901	CK73FXR0J106K	C CAPACITOR	10uF 6.3V K	1	
	C1902	CK73GBB1H103K	C CAPACITOR	0.01uF 50V K	1	
	C1903	CK73HXR1H103K	C CAPACITOR	0.01uF 50V K	1	
	C1904	CK73HXR1H103K	C CAPACITOR	0.01uF 50V K	1	
	C1905	CK73GBB1H103K	C CAPACITOR	0.01uF 50V K	1	
	C1906	CK73HXR1H103K	C CAPACITOR	0.01uF 50V K	1	
	C1907	CK73GBB1H103K	C CAPACITOR	0.01uF 50V K	1	
	C1908	CK73GBB1H103K	C CAPACITOR	0.01uF 50V K	1	
	C1911	CK73FXR0J106K	C CAPACITOR	10uF 6.3V K	1	
	C1912	CK73HXR1H103K	C CAPACITOR	0.01uF 50V K	1	
	C1913	CK73GBB1H103K	C CAPACITOR	0.01uF 50V K	1	
	C1915	CK73HXR1H103K	C CAPACITOR	0.01uF 50V K	1	
	C1916	CK73GBB1H103K	C CAPACITOR	0.01uF 50V K	1	
	C1917	CK73GBB1H103K	C CAPACITOR	0.01uF 50V K	1	
	C1918	CK73GBB1H103K	C CAPACITOR	0.01uF 50V K	1	
	C1940	CK73FXR1C475K	C CAPACITOR	4.7uF 16V K	1	
	C1941	CK73HXR1A104K	C CAPACITOR	0.1uF 10V K	1	
	C1942	CK73HXR1A104K	C CAPACITOR	0.1uF 10V K	1	
	C1943	CK73HXR1A104K	C CAPACITOR	0.1uF 10V K	1	
	C1944	CK73HXR1A104K	C CAPACITOR	0.1uF 10V K	1	
	C2001	CK73FXR1C475K	C CAPACITOR	4.7uF 16V K	1	
	C2003	CK73HXR1A104K	C CAPACITOR	0.1uF 10V K	1	
	C2004	CK73HXR1A104K	C CAPACITOR	0.1uF 10V K	1	
	C2005	CK73HXR1A104K	C CAPACITOR	0.1uF 10V K	1	
	C2006	CK73HXR1A105K	C CAPACITOR	1uF 10V K	1	
	C2007	CK73HXR1H103K	C CAPACITOR	0.01uF 50V K	1	
	C2009	CK73HXR1A104K	C CAPACITOR	0.1uF 10V K	1	
	C2010	CK73HXR1A104K	C CAPACITOR	0.1uF 10V K	1	
	C2011	CK73HXR1A105K	C CAPACITOR	1uF 10V K	1	
	C2012	CK73HXR1H103K	C CAPACITOR	0.01uF 50V K	1	
	C2013	CK73HXR1A105K	C CAPACITOR	1uF 10V K	1	
	C2014	CK73HXR1A105K	C CAPACITOR	1uF 10V K	1	
	C2015	CK73HXR1A104K	C CAPACITOR	0.1uF 10V K	1	
	C2017	CK73HXR1A104K	C CAPACITOR	0.1uF 10V K	1	
	C2019	CG73HCH1H101J	C CAPACITOR	100pF 50V J	1	
	C2020	CK73FXR1C475K	C CAPACITOR	4.7uF 16V K	1	
	C2021	CK73HXR1A104K	C CAPACITOR	0.1uF 10V K	1	
	C2023	CK73HXR1H103K	C CAPACITOR	0.01uF 50V K	1	
	C2024	CK73HXR1H103K	C CAPACITOR	0.01uF 50V K	1	
	C2025	CK73HXR1A104K	C CAPACITOR	0.1uF 10V K	1	
	C2026	CK73HXR1A104K	C CAPACITOR	0.1uF 10V K	1	
	C2027	CK73HXR1A104K	C CAPACITOR	0.1uF 10V K	1	
	C2028	CK73HXR1A104K	C CAPACITOR	0.1uF 10V K	1	
	C2029	CK73HXR1A104K	C CAPACITOR	0.1uF 10V K	1	
	C2030	CK73HXR1A104K	C CAPACITOR	0.1uF 10V K	1	
	C2031	CK73HXR1A105K	C CAPACITOR	1uF 10V K	1	
	C2032	CK73HXR1A104K	C CAPACITOR	0.1uF 10V K	1	
	C2033	CK73HXR1A104K	C CAPACITOR	0.1uF 10V K	1	
	C2035	CG73HCH1H101J	C CAPACITOR	100pF 50V J	1	
	C2036	CK73HXR1A104K	C CAPACITOR	0.1uF 10V K	1	
	C2039	CK73GXR0J475K	C CAPACITOR	4.7uF 6.3V K	1	
	C2040	CK73HXR1A104K	C CAPACITOR	0.1uF 10V K	1	

MODEL	MARK	MODEL	MARK	MODEL	MARK	MODEL	MARK
DDX394	K0	DDX4017BT	E2	DDX4017BT	X1	DDX4017BT1R	
DDX4017DAB	E1	DDX574BH	K2	DDX594	K1		Q1

Safe	Symbol No.	Parts No.	Parts Name	Description		QTY	Local
	C2042	CC73HCH1H080D	C CAPACITOR	8pF	50V D	1	
	C2043	CC73HCH1H070D	C CAPACITOR	7pF	50V D	1	
	C2044	CC73GXR0J475K	C CAPACITOR	4.7uF	6.3V K	1	
	C2045	CC73HCH1H101J	C CAPACITOR	100pF	50V J	1	
	C2046	CC73GXR0J473K	C CAPACITOR	4.7uF	6.3V K	1	
	C2047	CC73HCH1H101J	C CAPACITOR	100pF	50V J	1	
	C2048	CK73FXR0J106K	C CAPACITOR	10uF	6.3V K	1	
	C2049	CK73FXR1H103K	C CAPACITOR	0.01uF	50V K	1	
	C2050	CK73FXR0J106K	C CAPACITOR	10uF	6.3V K	1	
	C2051	CK73HXR1H103K	C CAPACITOR	0.01uF	50V K	1	
	C2056	CK73HXR1H222K	C CAPACITOR	2200pF	50V K	1	
	C2057	CK73HXR1H103K	C CAPACITOR	0.01uF	50V K	1	
	C2058	CK73FXR0J106K	C CAPACITOR	10uF	6.3V K	1	
	C2059	CK73HXR0J474K	C CAPACITOR	0.47uF	6.3V K	1	
	C2060	CK73HXR0J474K	C CAPACITOR	0.47uF	6.3V K	1	
	C2063	CK73HXR1H103K	C CAPACITOR	0.01uF	50V K	1	
	C2064	CK73FXR0J106K	C CAPACITOR	10uF	6.3V K	1	
	C2067	CK73HXR1A104K	C CAPACITOR	0.1uF	10V K	1	
	C2072	CK73HXR1A105K	C CAPACITOR	1uF	10V K	1	
	C2073	CK73HXR1A105K	C CAPACITOR	1uF	10V K	1	
	C2080	NAF0042-270X	VARIABLE(ZNR)			1	
	C2081	CK73HXR1A104K	C CAPACITOR	0.1uF	10V K	1	
	C2083	CK73HXR1H472K	C CAPACITOR	4700pF	50V K	1	
	C2095	CC73HCH1H101J	C CAPACITOR	100pF	50V J	1	
	R1401	RK73HB1J101J	MG RESISTOR	100Ω	1/16W J	1	
	R1402	RK73HB1J101J	MG RESISTOR	100Ω	1/16W J	1	
	R1403	RK73HB1J472J	MG RESISTOR	4.7kΩ	1/16W J	1	
	R1404	RK73HB1J222J	MG RESISTOR	2.2kΩ	1/16W J	1	
	R1405	RK73HB1J222J	MG RESISTOR	2.2kΩ	1/16W J	1	
	R1406	RK73GB2A472J	MG RESISTOR	4.7kΩ	1/16W J	1	
	R1407	RK73HB1J103J	MG RESISTOR	10kΩ	1/16W J	1	
	R1408	RK73HB1J000J	MG RESISTOR	0Ω	1/16W J	1	
	R1550	RK73GB2A000J	MG RESISTOR	0Ω	1/10W J	1	
	R1552	RK73HH1J622D	MG RESISTOR	6.2kΩ	1/16W D	1	
	R1553	RK73HH1J113D	MG RESISTOR	11kΩ	1/16W D	1	
	R1354	RK73GB2A000J	MG RESISTOR	0Ω	1/10W J	1	
	R1560	RK73GB2A000J	MG RESISTOR	0Ω	1/10W J	1	
	R1583	RK73GB2A103J	MG RESISTOR	10kΩ	1/10W J	1	
	R1600	RK73HB1J101J	MG RESISTOR	100Ω	1/16W J	1	
	R1601	RK73HB1J181J	MG RESISTOR	180Ω	1/16W J	1	
	R1602	RK73HB1J181J	MG RESISTOR	180Ω	1/16W J	1	
	R1603	RK73HB1J181J	MG RESISTOR	180Ω	1/16W J	1	
	R1604	RK73HB1J181J	MG RESISTOR	180Ω	1/16W J	1	
	R1605	RK73HB1J181J	MG RESISTOR	180Ω	1/16W J	1	
	R1606	RK73HB1J181J	MG RESISTOR	180Ω	1/16W J	1	
	R1607	RK73HB1J181J	MG RESISTOR	180Ω	1/16W J	1	
	R1608	RK73HB1J181J	MG RESISTOR	180Ω	1/16W J	1	
	R1609	RK73HB1J181J	MG RESISTOR	180Ω	1/16W J	1	
	R1610	RK73HB1J181J	MG RESISTOR	180Ω	1/16W J	1	
	R1611	RK73HB1J101J	MG RESISTOR	100Ω	1/16W J	1	
	R1612	RK73HB1J181J	MG RESISTOR	180Ω	1/16W J	1	
	R1613	RK73HB1J181J	MG RESISTOR	180Ω	1/16W J	1	
	R1614	RK73HB1J181J	MG RESISTOR	180Ω	1/16W J	1	
	R1615	RK73HB1J181J	MG RESISTOR	180Ω	1/16W J	1	
	R1616	RK73HB1J181J	MG RESISTOR	180Ω	1/16W J	1	
	R1617	RK73HB1J181J	MG RESISTOR	180Ω	1/16W J	1	
	R1618	RK73HB1J181J	MG RESISTOR	180Ω	1/16W J	1	
	R1619	RK73HB1J181J	MG RESISTOR	180Ω	1/16W J	1	
	R1620	RK73HB1J101J	MG RESISTOR	100Ω	1/16W J	1	
	R1621	RK73HB1J101J	MG RESISTOR	100Ω	1/16W J	1	
	R1622	RK73HB1J101J	MG RESISTOR	100Ω	1/16W J	1	
	R1623	RK73HB1J101J	MG RESISTOR	100Ω	1/16W J	1	
	R1624	RK73HB1J101J	MG RESISTOR	100Ω	1/16W J	1	
	R1625	RK73HB1J101J	MG RESISTOR	100Ω	1/16W J	1	
	R1626	RK73HB1J101J	MG RESISTOR	100Ω	1/16W J	1	
	R1627	RK73HB1J181J	MG RESISTOR	180Ω	1/16W J	1	
	R1628	RK73HB1J101J	MG RESISTOR	100Ω	1/16W J	1	
	R1645	RK73HB1J000J	MG RESISTOR	0Ω	1/16W J	1	
	R1646	RK73HB1J101J	MG RESISTOR	100Ω	1/16W J	1	
	R1647	RK73HB1J222J	MG RESISTOR	2.2kΩ	1/16W J	1	
	R1653	RK73HB1J330J	MG RESISTOR	33Ω	1/16W J	1	
	R1654	RK73HB1J330J	MG RESISTOR	33Ω	1/16W J	1	
	R1655	RK73HB1J330J	MG RESISTOR	33Ω	1/16W J	1	
	R1656	RK73HB1J121J	MG RESISTOR	120Ω	1/16W J	1	
	R1662	RK73HB1J152J	MG RESISTOR	1.5kΩ	1/16W J	1	
	R1666	RK73HB1J105J	MG RESISTOR	1MΩ	1/16W J	1	
	R1668	RK73HB1J330J	MG RESISTOR	33Ω	1/16W J	1	
	R1671	RK73HB1J332J	MG RESISTOR	3.3kΩ	1/16W J	1	
	R1672	RK73HB1J473J	MG RESISTOR	47kΩ	1/16W J	1	
	R1674	RK73HB1J181J	MG RESISTOR	180Ω	1/16W J	1	
	R1677	RK73HB1J223J	MG RESISTOR	22kΩ	1/16W J	1	
	R1678	RK73HB1J000J	MG RESISTOR	0Ω	1/16W J	1	
	R1679	RK73HB1J000J	MG RESISTOR	0Ω	1/16W J	1	
	R1771	RK73HB1J000J	MG RESISTOR	0Ω	1/16W J	1	
	R1773	RK73HB1J000J	MG RESISTOR	0Ω	1/16W J	1	
	R1794	RK73HB1J000J	MG RESISTOR	0Ω	1/16W J	1	
	R1796	RK73HB1J000J	MG RESISTOR	0Ω	1/16W J	1	
	R1798	RK73HB1J000J	MG RESISTOR	0Ω	1/16W J	1	
	R1810	RK73HB1J101J	MG RESISTOR	100Ω	1/16W J	1	
	R1811	RK73HB1J101J	MG RESISTOR	100Ω	1/16W J	1	
	R1812	RK73HB1J101J	MG RESISTOR	100Ω	1/16W J	1	
	R1813	RK73HB1J101J	MG RESISTOR	100Ω	1/16W J	1	
	R1814	RK73HB1J101J	MG RESISTOR	100Ω	1/16W J	1	

MODEL	MARK	MODEL	MARK	MODEL	MARK	MODEL
DDX394	K0	DDX4017BT	E2	DDX4017BT	X1	DDX4017BT1R
DDX4017DAB	E1	DDX574BH	K2	DDX594	K1	Q1

Safe	Symbol No.	Parts No.	Parts Name	Description		MARK	MODEL	QTY		MARK
									Local	
	R1815	RK73HB1J470J	MG RESISTOR	100Ω	1/16W J			1		
	R1816	RK73HB1J101J	MG RESISTOR	100Ω	1/16W J			1		
	R1817	RK73HB1J101J	MG RESISTOR	100Ω	1/16W J			1		
	R1818	RK73HB1J101J	MG RESISTOR	100Ω	1/16W J			1		
	R1820	RK73GH2A101D	MG RESISTOR	100Ω	1/10W D			1		
	R1821	RK73GH2A101D	MG RESISTOR	100Ω	1/10W D			1		
	R1822	RK73GH2A101D	MG RESISTOR	100Ω	1/10W D			1		
	R1823	RK73GH2A101D	MG RESISTOR	100Ω	1/10W D			1		
	R1824	RK73GH2A101D	MG RESISTOR	100Ω	1/10W D			1		
	R1825	RK73GH2A101D	MG RESISTOR	100Ω	1/10W D			1		
	R1826	RK73GH2A101D	MG RESISTOR	100Ω	1/10W D			1		
	R1827	RK73GH2A101D	MG RESISTOR	100Ω	1/10W D			1		
	R1828	RK73GH2A101D	MG RESISTOR	100Ω	1/10W D			1		
	R1830	RK73HH1J433D	MG RESISTOR	433Ω	1/16W D			1		
	R1831	RK73HH1J913D	MG RESISTOR	91kΩ	1/16W D			1		
	R1832	RK73HH1J184D	MG RESISTOR	180kΩ	1/16W D			1		
	R1833	RK73HH1J434D	MG RESISTOR	430kΩ	1/16W D			1		
	R1834	RK73HH1J153D	MG RESISTOR	15kΩ	1/16W D			1		
	R1835	RK73HH1J153D	MG RESISTOR	15kΩ	1/16W D			1		
	R1836	RK73HB1J102J	MG RESISTOR	1kΩ	1/16W J			1		
	R1837	RK73GB2A472J	MG RESISTOR	4.7kΩ	1/10W J			1		
	R1838	RK73GB2A472J	MG RESISTOR	4.7kΩ	1/10W J			1		
	R1839	RK73HH1J620D	MG RESISTOR	62Ω	1/16W D			1		
	R1840	RK73HH1J161D	MG RESISTOR	160Ω	1/16W D			1		
	R1841	RK73HH1J430D	MG RESISTOR	43Ω	1/16W D			1		
	R1842	RK73HH1J360D	MG RESISTOR	36Ω	1/16W D			1		
	R1843	RK73HH1J101D	MG RESISTOR	100Ω	1/16W D			1		
	R1844	RK73HH1J161D	MG RESISTOR	160Ω	1/16W D			1		
	R1845	RK73HH1J101D	MG RESISTOR	100Ω	1/16W D			1		
	R1846	RK73HH1J360D	MG RESISTOR	36Ω	1/16W D			1		
	R1847	RK73HH1J430D	MG RESISTOR	43Ω	1/16W D			1		
	R1848	RK73HH1J161D	MG RESISTOR	160Ω	1/16W D			1		
	R1849	RK73HH1J101D	MG RESISTOR	100Ω	1/16W D			1		
	R1850	RK73HB1J000J	MG RESISTOR	0Ω	1/16W J			1		
	R1857	RK73HB1J332J	MG RESISTOR	3.3kΩ	1/16W J			1		
	R1876	RK73HB1J473J	MG RESISTOR	47kΩ	1/16W J			1		
	R1877	RK73GB2A331J	MG RESISTOR	330Ω	1/10W J			1		
	R1878	RK73HB1J000J	MG RESISTOR	0Ω	1/16W J			1		
	R1879	RK73HB1J473J	MG RESISTOR	47kΩ	1/16W J			1		
	R1880	RK73HB1J105J	MG RESISTOR	1MΩ	1/16W J			1		
	R1881	RK73HB1J332J	MG RESISTOR	3.3kΩ	1/16W J			1		
	R1882	RK73GH2A1Z3D	MG RESISTOR	12kΩ	1/10W D			1		
	R1883	RK73GH2A753D	MG RESISTOR	75kΩ	1/10W D			1		
	R1884	RK73GH2A132D	MG RESISTOR	1.3kΩ	1/10W D			1		
	R1885	RK73HB1J471J	MG RESISTOR	47Ω	1/16W J			1		
	R1887	RK73PB2H820J	MG RESISTOR	82Ω	1/2W J			1		
	R1888	RK73PB2H820J	MG RESISTOR	82Ω	1/2W J			1		
	R1889	RK73HB1J472J	MG RESISTOR	4.7kΩ	1/16W J			1		
	R1890	RK73HH1J104J	MG RESISTOR	100kΩ	1/16W J			1		
	R1891	RK73HH1J472D	MG RESISTOR	4.7kΩ	1/16W D			1		
	R1892	RK73HB1J000J	MG RESISTOR	0Ω	1/16W J			1		
	R1893	RK73HH1J103D	MG RESISTOR	10kΩ	1/16W D			1		
	R1894	RK73HB1J472J	MG RESISTOR	4.7kΩ	1/16W J			1		
	R1895	RK73HB1J000J	MG RESISTOR	0Ω	1/16W J			1		
	R1896	RK73EB2E392J	MG RESISTOR	3.9kΩ	1/4W J			1		
	R1897	RK73HB1J471J	MG RESISTOR	47Ω	1/16W J			1		
	R1898	RK73HB1J183J	MG RESISTOR	18kΩ	1/16W J			1		
	R1899	RK73HB1J183J	MG RESISTOR	18kΩ	1/16W J			1		
	R1900	RK73HB1J470J	MG RESISTOR	47Ω	1/16W J			1		
	R1901	RK73HB1J470J	MG RESISTOR	47Ω	1/16W J			1		
	R1902	RK73HB1J470J	MG RESISTOR	47Ω	1/16W J			1		
	R1903	RK73HB1J470J	MG RESISTOR	47Ω	1/16W J			1		
	R1904	RK73HB1J470J	MG RESISTOR	47Ω	1/16W J			1		
	R1905	RK73HB1J470J	MG RESISTOR	47Ω	1/16W J			1		
	R1906	RK73HB1J470J	MG RESISTOR	47Ω	1/16W J			1		
	R1907	RK73HB1J470J	MG RESISTOR	47Ω	1/16W J			1		
	R1908	RK73HB1J470J	MG RESISTOR	47Ω	1/16W J			1		
	R1909	RK73HB1J470J	MG RESISTOR	47Ω	1/16W J			1		
	R1910	RK73HB1J470J	MG RESISTOR	47Ω	1/16W J			1		
	R1911	RK73HB1J470J	MG RESISTOR	47Ω	1/16W J			1		
	R1912	RK73HB1J470J	MG RESISTOR	47Ω	1/16W J			1		
	R1913	RK73HB1J470J	MG RESISTOR	47Ω	1/16W J			1		
	R1914	RK73GB2A470J	MG RESISTOR	47Ω	1/10W J			1		
	R1915	RK73GB2A470J	MG RESISTOR	47Ω	1/10W J			1		
	R1916	RK73HB1J470J	MG RESISTOR	47Ω	1/16W J			1		
	R1917	RK73HB1J470J	MG RESISTOR	47Ω	1/16W J			1		
	R1918	RK73HB1J470J	MG RESISTOR	47Ω	1/16W J			1		
	R1919	RK73HB1J470J	MG RESISTOR	47Ω	1/16W J			1		
	R1920	RK73HB1J470J	MG RESISTOR	47Ω	1/16W J			1		
	R1921	RK73HB1J470J	MG RESISTOR	47Ω	1/16W J			1		
	R1922	RK73HB1J470J	MG RESISTOR	47Ω	1/16W J			1		
	R1923	RK73HB1J470J	MG RESISTOR	47Ω	1/16W J			1		
	R1924	RK73HB1J470J	MG RESISTOR	47Ω	1/16W J			1		
	R1925	RK73HB1J470J	MG RESISTOR	47Ω	1/16W J			1		
	R1926	RK73HB1J470J	MG RESISTOR	47Ω	1/16W J			1		
	R1927	RK73HB1J470J	MG RESISTOR	47Ω	1/16W J			1		
	R1928	RK73HB1J470J	MG RESISTOR	47Ω	1/16W J			1		
	R1929	RK73HB1J470J	MG RESISTOR	47Ω	1/16W J			1		
	R1930	RK73HB1J470J	MG RESISTOR	47Ω	1/16W J			1		

MODEL	MARK	MODEL	MARK	MODEL	MARK	MODEL	MARK
DDX394	K0	DDX4017BT	E2	DDX4017BT	X1	DDX4017BT1R	Q1
DDX4017DAB	E1	DDX574BH	K2	DDX594	K1		

Safe	Symbol No.	Parts No.	Parts Name	Description		QTY	Local
				MARK	MODEL		
	R1931	RK73HB1J470J	MG RESISTOR	47Ω	1/16W J	1	
	R1932	RK73HB1J470D	MG RESISTOR	47Ω	1/16W D	1	
	R1933	RK73HB1J000J	MG RESISTOR	0Ω	1/16W J	1	
	R1934	RK73HB1J103J	MG RESISTOR	10KΩ	1/16W J	1	
	R1958	RK73HB1J470J	MG RESISTOR	47Ω	1/16W J	1	
	R1959	RK73HB1J470J	MG RESISTOR	47Ω	1/16W J	1	
	R1960	RK73HB1J470J	MG RESISTOR	47Ω	1/16W J	1	
	R1961	RK73HB1J470J	MG RESISTOR	47Ω	1/16W J	1	
	R1962	RK73HB1J470J	MG RESISTOR	47Ω	1/16W J	1	
	R1963	RK73HB1J470J	MG RESISTOR	47Ω	1/16W J	1	
	R1964	RK73HB1J470J	MG RESISTOR	47Ω	1/16W J	1	
	R1965	RK73HB1J470J	MG RESISTOR	47Ω	1/16W J	1	
	R1966	RK73HB1J470J	MG RESISTOR	47Ω	1/16W J	1	
	R1967	RK73HB1J470J	MG RESISTOR	47Ω	1/16W J	1	
	R1968	RK73HB1J470J	MG RESISTOR	47Ω	1/16W J	1	
	R1969	RK73HB1J470J	MG RESISTOR	47Ω	1/16W J	1	
	R1970	RK73HB1J470J	MG RESISTOR	47Ω	1/16W J	1	
	R1980	RK73HB1J101J	MG RESISTOR	100Ω	1/16W J	1	
	R1981	RK73HB1J101J	MG RESISTOR	100Ω	1/16W J	1	
	R1982	RK73HB1J101J	MG RESISTOR	100Ω	1/16W J	1	
	R1983	RK73HB1J101J	MG RESISTOR	100Ω	1/16W J	1	
	R1984	RK73HB1J101J	MG RESISTOR	100Ω	1/16W J	1	
	R1985	RK73HB1J101J	MG RESISTOR	100Ω	1/16W J	1	
	R1986	RK73HB1J101J	MG RESISTOR	100Ω	1/16W J	1	
	R1987	RK73HB1J101J	MG RESISTOR	100Ω	1/16W J	1	
	R1988	RK73HB1J101J	MG RESISTOR	100Ω	1/16W J	1	
	R1989	RK73HB1J101J	MG RESISTOR	100Ω	1/16W J	1	
	R1990	RK73HB1J101J	MG RESISTOR	100Ω	1/16W J	1	
	R1991	RK73HB1J101J	MG RESISTOR	100Ω	1/16W J	1	
	R2001	RK73GB2A000J	MG RESISTOR	0Ω	1/10W J	1	
	R2003	RK73HB1J101J	MG RESISTOR	100Ω	1/16W J	1	
	R2004	RK73HB1J101J	MG RESISTOR	100Ω	1/16W J	1	
	R2005	RK73HB1J181J	MG RESISTOR	180Ω	1/16W J	1	
	R2006	RK73HB1J101J	MG RESISTOR	100Ω	1/16W J	1	
	R2007	RK73HB1J101J	MG RESISTOR	100Ω	1/16W J	1	
	R2010	RK73HB1J222J	MG RESISTOR	2.2KΩ	1/16W J	1	
	R2011	RK73GB2A222J	MG RESISTOR	2.2KΩ	1/10W J	1	
	R2013	RK73HB1J103J	MG RESISTOR	10KΩ	1/16W J	1	
	R2014	RK73HB1J472J	MG RESISTOR	4.7KΩ	1/16W J	1	
	R2015	RK73HB1J103J	MG RESISTOR	10KΩ	1/16W J	1	
	R2016	RK73HB1J103J	MG RESISTOR	10KΩ	1/16W J	1	
	R2017	RK73HB1J103J	MG RESISTOR	10KΩ	1/16W J	1	
	R2022	RK73HB1J222J	MG RESISTOR	2.2KΩ	1/16W J	1	
	R2023	RK73HB1J392J	MG RESISTOR	3.9KΩ	1/16W J	1	
	R2024	RK73HB1J392J	MG RESISTOR	3.9KΩ	1/16W J	1	
	R2025	RK73HB1J472J	MG RESISTOR	4.7KΩ	1/16W J	1	
	R2029	RK73HB1J103J	MG RESISTOR	10KΩ	1/16W J	1	
	R2030	RK73HB1J101J	MG RESISTOR	100Ω	1/16W J	1	
	R2031	RK73HB1J101J	MG RESISTOR	100Ω	1/16W J	1	
	R2032	RK73HB1J101J	MG RESISTOR	100Ω	1/16W J	1	
	R2035	RK73HB1J101J	MG RESISTOR	100Ω	1/16W J	1	
	R2036	RK73HB1J101J	MG RESISTOR	100Ω	1/16W J	1	
	R2037	RK73HB1J222J	MG RESISTOR	2.2KΩ	1/16W J	1	
	R2038	RK73HB1J000J	MG RESISTOR	0Ω	1/16W J	1	
	R2039	RK73HB1J222J	MG RESISTOR	2.2KΩ	1/16W J	1	
	R2041	RK73HB1J472J	MG RESISTOR	4.7KΩ	1/16W J	1	
	R2042	RK73HB1J103J	MG RESISTOR	10KΩ	1/16W J	1	
	R2043	RK73HB1J101J	MG RESISTOR	100Ω	1/16W J	1	
	R2048	RK73HB1J101J	MG RESISTOR	100Ω	1/16W J	1	
	R2058	RK73HB1J103J	MG RESISTOR	10KΩ	1/16W J	1	
	R2061	RK73HB1J330J	MG RESISTOR	33Ω	1/16W J	1	
	R2062	RK73HB1J330J	MG RESISTOR	33Ω	1/16W J	1	
	R2063	RK73HB1J330J	MG RESISTOR	33Ω	1/16W J	1	
	R2064	RK73HB1J330J	MG RESISTOR	33Ω	1/16W J	1	
	R2065	RK73HB1J330J	MG RESISTOR	33Ω	1/16W J	1	
	R2066	RK73HB1J330J	MG RESISTOR	33Ω	1/16W J	1	
	R2067	RK73HB1J330J	MG RESISTOR	33Ω	1/16W J	1	
	R2068	RK73HB1J330J	MG RESISTOR	33Ω	1/16W J	1	
	R2069	RK73HB1J222J	MG RESISTOR	2.2KΩ	1/16W J	1	
	R2074	RK73HB1J330J	MG RESISTOR	33Ω	1/16W J	1	
	R2075	RK73HB1J330J	MG RESISTOR	33Ω	1/16W J	1	
	R2076	RK73HB1J330J	MG RESISTOR	33Ω	1/16W J	1	
	R2077	RK73HB1J103J	MG RESISTOR	10KΩ	1/16W J	1	
	R2081	RK73HB1J330J	MG RESISTOR	33Ω	1/16W J	1	
	R2082	RK73HB1J330J	MG RESISTOR	33Ω	1/16W J	1	
	R2083	RK73HB1J330J	MG RESISTOR	33Ω	1/16W J	1	
	R2084	RK73HB1J330J	MG RESISTOR	33Ω	1/16W J	1	
	R2086	RK73HB1J332J	MG RESISTOR	3.3KΩ	1/16W J	1	
	R2087	RK73HB1J332J	MG RESISTOR	3.3KΩ	1/16W J	1	
	R2088	RK73HB1J332J	MG RESISTOR	3.3KΩ	1/16W J	1	
	R2090	RK73HB1J000J	MG RESISTOR	0Ω	1/16W J	1	
	R2091	RK73HB1J000J	MG RESISTOR	0Ω	1/16W J	1	
	R2092	RK73HB1J332J	MG RESISTOR	3.3KΩ	1/16W J	1	
	R2093	RK73HB1J000J	MG RESISTOR	0Ω	1/16W J	1	
	R2094	RK73HB1J000J	MG RESISTOR	0Ω	1/16W J	1	
	R2099	RK73HB1J393J	MG RESISTOR	39KΩ	1/16W J	1	
	R2100	RK73HB1J623J	MG RESISTOR	82KΩ	1/16W J	1	
	R2101	RK73HB1J103J	MG RESISTOR	10KΩ	1/16W J	1	
	R2102	RK73HB1J103J	MG RESISTOR	10KΩ	1/16W J	1	
	R2103	RK73HB1J103J	MG RESISTOR	10KΩ	1/16W J	1	
	R2104	RK73HB1J101J	MG RESISTOR	100Ω	1/16W J	1	
	R2105	RK73HB1J101J	MG RESISTOR	100Ω	1/16W J	1	

MODEL	MARK	MODEL	MARK	MODEL	MARK	MODEL	MARK
DDX394	K0	DDX4017BT	E2	DDX4017BT	X1	DDX4017BT1R	Q1
DDX4017DAB	E1	DDX574BH	K2	DDX594	K1		

Safe	Symbol No.	Parts No.	Parts Name	Description	QTY	
					Local	
	R2106	RK73HB1J101J	MG RESISTOR	100Ω 1/16W J	1	
	R2107	RK73HB1J103J	MG RESISTOR	10KΩ 1/16W J	1	
	R2108	RK73HB1J302J	MG RESISTOR	3KΩ 1/16W J	1	
	R2109	RK73HB1J101J	MG RESISTOR	100Ω 1/16W J	1	
	R2112	RK73HB1J101J	MG RESISTOR	100Ω 1/16W J	1	
	R2113	RK73HB1J101J	MG RESISTOR	100Ω 1/16W J	1	
	R2114	RK73HB1J181J	MG RESISTOR	180Ω 1/16W J	1	
	R2115	RK73HB1J181J	MG RESISTOR	180Ω 1/16W J	1	
	R2117	RK73HB1J105J	MG RESISTOR	1MΩ 1/16W J	1	
	R2118	RK73HB1J000J	MG RESISTOR	0Ω 1/16W J	1	
	R2120	RK73HB1J101J	MG RESISTOR	100Ω 1/16W J	1	
	R2121	RK73HB1J101J	MG RESISTOR	100Ω 1/16W J	1	
	R2126	RK73HB1J271J	MG RESISTOR	270Ω 1/16W J	1	
	R2127	RK73HB1J181J	MG RESISTOR	180Ω 1/16W J	1	
	R2128	RK73HB1J181J	MG RESISTOR	180Ω 1/16W J	1	
	R2129	RK73HB1J181J	MG RESISTOR	180Ω 1/16W J	1	
	R2130	RK73HB1J181J	MG RESISTOR	180Ω 1/16W J	1	
	R2131	RK73HB1J181J	MG RESISTOR	180Ω 1/16W J	1	
	R2133	RK73HB1J101J	MG RESISTOR	100Ω 1/16W J	1	
	R2134	RK73HB1J102J	MG RESISTOR	1KΩ 1/16W J	1	
	R2136	RK73HB1J181J	MG RESISTOR	180Ω 1/16W J	1	
	R2137	RK73HB1J181J	MG RESISTOR	180Ω 1/16W J	1	
	R2138	RK73HB1J181J	MG RESISTOR	180Ω 1/16W J	1	
	R2139	RK73HB1J000J	MG RESISTOR	0Ω 1/16W J	1	
	R2140	RK73HB1J181J	MG RESISTOR	180Ω 1/16W J	1	
	R2141	RK73HB1J181J	MG RESISTOR	180Ω 1/16W J	1	
	R2142	RK73HB1J181J	MG RESISTOR	180Ω 1/16W J	1	
	R2143	RK73HB1J181J	MG RESISTOR	180Ω 1/16W J	1	
	R2145	RK73HB1J101J	MG RESISTOR	100Ω 1/16W J	1	
	R2147	RK73HB1J103J	MG RESISTOR	10KΩ 1/16W J	1	
	R2150	RK73HB1J181J	MG RESISTOR	180Ω 1/16W J	1	
	R2151	RK73HB1J181J	MG RESISTOR	180Ω 1/16W J	1	
	R2152	RK73HB1J181J	MG RESISTOR	180Ω 1/16W J	1	
	R2153	RK73HB1J181J	MG RESISTOR	180Ω 1/16W J	1	
	R2154	RK73HB1J181J	MG RESISTOR	180Ω 1/16W J	1	
	R2155	RK73HB1J181J	MG RESISTOR	180Ω 1/16W J	1	
	R2157	RK73HB1J000J	MG RESISTOR	0Ω 1/16W J	1	
	R2160	RK73HB1J101J	MG RESISTOR	100Ω 1/16W J	1	
	R2161	RK73HB1J101J	MG RESISTOR	100Ω 1/16W J	1	
	R2162	RK73HB1J101J	MG RESISTOR	100Ω 1/16W J	1	
	R2163	RK73HB1J101J	MG RESISTOR	100Ω 1/16W J	1	
	R2164	RK73HB1J473J	MG RESISTOR	47KΩ 1/16W J	1	
	R2201	RK73GB2A1R6J	MG RESISTOR	1.6Ω 1/10W J	1	
	R2202	RK73GB2A1R6J	MG RESISTOR	1.6Ω 1/10W J	1	
	R2203	RK73GB2A1R6J	MG RESISTOR	1.6Ω 1/10W J	1	
	R2204	RK73GB2A1R6J	MG RESISTOR	1.6Ω 1/10W J	1	
	R2205	RK73GB2A1R6J	MG RESISTOR	1.6Ω 1/10W J	1	
	R2206	RK73GB2A1R6J	MG RESISTOR	1.6Ω 1/10W J	1	
	R2207	RK73GB2A1R6J	MG RESISTOR	1.6Ω 1/10W J	1	
	R2208	RK73GB2A1R6J	MG RESISTOR	1.6Ω 1/10W J	1	
	R2209	RK73GB2A1R6J	MG RESISTOR	1.6Ω 1/10W J	1	
	R2210	RK73GB2A1R6J	MG RESISTOR	1.6Ω 1/10W J	1	
	R2211	RK73GB2A1R6J	MG RESISTOR	1.6Ω 1/10W J	1	
	R2217	RK73GB2A1R8J	MG RESISTOR	1.8Ω 1/10W J	1	
	R2218	RK73GB2A1R8J	MG RESISTOR	1.8Ω 1/10W J	1	
	R2219	RK73GB2A1R8J	MG RESISTOR	1.8Ω 1/10W J	1	
	R2220	RK73GB2A1R8J	MG RESISTOR	1.8Ω 1/10W J	1	
	R2221	RK73GB2A1R8J	MG RESISTOR	1.8Ω 1/10W J	1	
	R2222	RK73GB2A1R8J	MG RESISTOR	1.8Ω 1/10W J	1	
	R2223	RK73GB2A1R8J	MG RESISTOR	1.8Ω 1/10W J	1	
	R2224	RK73GB2A1R8J	MG RESISTOR	1.8Ω 1/10W J	1	
	R2225	RK73GB2A1R8J	MG RESISTOR	1.8Ω 1/10W J	1	
	R2226	RK73GB2A1R8J	MG RESISTOR	1.8Ω 1/10W J	1	
	R2227	RK73GB2A1R8J	MG RESISTOR	1.8Ω 1/10W J	1	
	R2228	RK73GB2A1R8J	MG RESISTOR	1.8Ω 1/10W J	1	
	R2229	RK73GB2A1R8J	MG RESISTOR	1.8Ω 1/10W J	1	
	R2230	RK73GB2A1R8J	MG RESISTOR	1.8Ω 1/10W J	1	
	L1551	LB73G0BK-006	CHIP FERRITE		1	
	L1601	LB73G0BK-003	CHIP FERRITE		1	
	L1602	LB73G0BK-003	CHIP FERRITE		1	
	L1603	LB73G0BK-003	CHIP FERRITE		1	
	L1604	LB73G0BK-003	CHIP FERRITE		1	
	L1626	NCR0559-010X	FERRITE BEADS		1	
	L1627	NCR0559-008X	FERRITE BEADS		1	
	L2001	LR73Z0ADAR7M	CHIP INDUCTOR	4.7uH	1	
	L2002	RK73HB1J390J	MG RESISTOR	39Ω 1/16W J	1	
	L2003	NCR0559-010X	FERRITE BEADS		1	
	L2070	LB73H0BG-003	CHIP FERRITE		1	
	L2071	LB73H0BG-003	CHIP FERRITE		1	
	L2072	LB73H0BG-003	CHIP FERRITE		1	
	L2073	LB73H0BG-003	CHIP FERRITE		1	
	CN1771	OCF0534F7-15X	FCC/FPC CONNE	FCC/FPC (1-15)	1	
	CN1790	EC110AU-1004A	FCC/FPC CONNE	FCC/FPC (1-80)	1	
	CN1800	QGF0534F7-60X	FCC/FPC CONNE		1	
	CN1805	QGA3501F1-02X	CONNECTOR	W-B (1-2)	1	

MODEL	MARK	MODEL	MARK	MODEL	MARK	MODEL	MARK
DDX394	K0	DDX4017BT	E2	DDX4017BT	X1	DDX4017BT1R	
DDX4017DAB	E1	DDX574BH	K2	DDX594	K1		Q1

Safe	Symbol No.	Parts No.	Parts Name	Description	QTY	Local
	CN1980	QGF0534F7-22X	FFC/FPC CONNE	FFC/FPC (1-22)	1	
	CN2000	EC720CF-0560A	FPC FPC CONNE		1	
	X1600	L7J-0101-00	QUARTZ CRYSTAL		1	
	X2000	L7J-0092-00	QUARTZ CRYSTAL		1	
DAUGHTER PWB ASSY (XJF-016x-0x) <XJF>						
	D1	D22J068M	ZENER DIODE	0.1UF 16V K	1	K0,E2,X1,E1,K2,K1
	C9	CK73XR1C104K	C CAPACITOR	1000pF 50V K	1	K0,E2,X1,E1,K2,K1
	C18	CK73HXR1H102K	C CAPACITOR	1000pF 50V K	1	K0,E2,X1,E1,K2,K1
	C19	CK73HXR1H102K	C CAPACITOR	1000pF 50V K	1	K0,E2,X1,E1,K2,K1
	C20	CK73HXR1H102K	C CAPACITOR	1000pF 50V K	1	K0,E2,X1,E1,K2,K1
	C21	CK73HXR1H102K	C CAPACITOR	1UF 16V K	1	K0,E2,X1,E1,K2,K1
	C22	CK73GXR1C105K	C CAPACITOR	10UF 6.3V M	1	K0,E2,X1,E1,K2,K1
	C23	CK73GXR0J106M	C CAPACITOR	1UF 16V K	1	K0,E2,X1,E1,K2,K1
	C24	CK73GXR1C105K	C CAPACITOR	0.1UF 10V K	1	E2,X1,E1
	C25	CK73GXR1C104K	C CAPACITOR	100Q 1/10W J	1	K0,E2,X1,E1,K2,K1
	R20	CK73GB2A101J	MG RESISTOR	22Q 1/16W J	1	K0,K2,K1
	R21	CK73HB1J220J	MG RESISTOR	22Q 1/16W J	1	K0,K2,K1
	R22	CK73HB1J220J	MG RESISTOR	22Q 1/16W J	1	K0,K2,K1
	R23	CK73GB2A101J	MG RESISTOR	100Q 1/10W J	1	K0,E2,X1,E1,K2,K1
	R24	CK73GB2A102J	MG RESISTOR	1KQ 1/10W J	1	K0,E2,X1,E1,K2,K1
	R25	CK73GB2A101J	MG RESISTOR	100Q 1/10W J	1	K0,E2,X1,E1,K2,K1
	R26	CK73GB2A100J	MG RESISTOR	10Q 1/10W J	1	K0,E2,X1,E1,K2,K1
	R27	CK73GB2A4R7J	MG RESISTOR	4.7Q 1/10W J	1	K0,E2,X1,E1,K2,K1
	R28	CK73GB2A100J	MG RESISTOR	10Q 1/10W J	1	K0,E2,X1,E1,K2,K1
	R29	CK73GB2A100J	MG RESISTOR	10Q 1/10W J	1	E2,X1,E1

R31	CK73GB2A101J	MG RESISTOR	100Q 1/10W J	1	E2,X1,E1
R33	CK73GB2A101J	MG RESISTOR	100Q 1/10W J	1	E2,X1,E1
R35	CK73GB2A101J	MG RESISTOR	100Q 1/10W J	1	E2,X1,E1
R36	CK73HH1J750D	MG RESISTOR	75Q 1/16W D	1	E2,X1,E1
R37	CK73HH1J750D	MG RESISTOR	75Q 1/16W D	1	E2,X1,E1
R38	CK73HH1J750D	MG RESISTOR	75Q 1/16W D	1	E2,X1,E1
R39	CK73HH1J750D	MG RESISTOR	75Q 1/16W D	1	E2,X1,E1
R41	CK73HXR1A105K	C CAPACITOR	1UF 10V K	1	K0,K2,K1
R42	CK73HXR1A105K	C CAPACITOR	1UF 10V K	1	K0,K2,K1
R43	CK73HXR1A105K	C CAPACITOR	1UF 10V K	1	K0,K2,K1
R44	CK73GB2A101J	MG RESISTOR	100Q 1/10W J	1	E2,X1,Q1,E1
R45	CK73GB2A101J	MG RESISTOR	100Q 1/10W J	1	E2,X1,Q1,E1
R46	CK73GB2A100J	MG RESISTOR	10Q 1/10W J	1	K0,K2,K1
R47	CK73GB2A000J	MG RESISTOR	0Q 1/10W J	1	E2,X1,Q1,E1
R48	CK73HB1J000J	MG RESISTOR	0Q 1/16W J	1	K0,K2,K1
CN1	QGA250T1C1-02	W TO B CONNE	W-B (1-2)	1	K0,K2,K1
CN3	QGF0534F7-26X	FFC/FPC CONNE	FFC/FPC (1-26)	1	K0,K2,K1
CN4	QGF0534F7-22X	FFC/FPC CONNE	FFC/FPC (1-22)	1	E2,X1,Q1,E1
CN5	QGA2021F1-104	W TO B CONNE	W-B (1-4)	1	K0,K2,K1

F1	F53-0513-08	PATTERN FUSE	4A	1	
F3	F53-0513-08	PATTERN FUSE	4A	1	
F4	F53-0513-08	PATTERN FUSE	4A	1	
J2	QN20907-001	CIR CONNECTOR		1	K0,K2,K1
J3	QND0162-001	DIN CONNECTOR		1	E2,X1,E1
J4	QNS0307-001	3.5 JACK		1	
VA2	SDV1005E18/1	VARISTOR	K0,K2,K1	1	K0,K2,K1
VA3	SDV1005E18/1	VARISTOR	K0,K2,K1	1	K0,K2,K1
VA4	SDV1005E18/1	VARISTOR	K0,E2,X1,E1,K2,K1	1	K0,E2,X1,E1,K2,K1
VA5	SDV1005E18/1	VARISTOR	K0,E2,X1,E1,K2,K1	1	K0,E2,X1,E1,K2,K1
VA6	SDV1005A14/0	VARISTOR	K0,E2,X1,E1,K2,K1	1	K0,E2,X1,E1,K2,K1
VA7	SDV1005A14/0	VARISTOR	K0,E2,X1,E1,K2,K1	1	K0,E2,X1,E1,K2,K1
VA8	SDV1005A14/0	VARISTOR	K0,E2,X1,E1,K2,K1	1	K0,E2,X1,E1,K2,K1
VA9	SDV1005A14/0	VARISTOR	K0,E2,X1,E1,K2,K1	1	K0,E2,X1,E1,K2,K1
VA10	SDV1005E18/1	VARISTOR	E2,X1,E1	1	E2,X1,E1
VA11	SDV1005E18/1	VARISTOR	E2,X1,E1	1	E2,X1,E1
VA12	SDV1005E18/1	VARISTOR	E2,X1,E1	1	E2,X1,E1
VA13	SDV1005E18/1	VARISTOR	E2,X1,E1	1	E2,X1,E1
VA14	SDV1005A14/0	VARISTOR	E2,X1,E1	1	E2,X1,E1
VA15	SDV1005A14/0	VARISTOR		1	

HD TUNER PWB ASSY (XJM-0120-12) <XJM>						
IC1	SI4763-A42-GM	MOS IC		1	K2,K1	
IC2	SI4613-A10-GM	MOS IC		1	K2,K1	
IC3	W25Q16DVSSIG	ROM IC		1	K2,K1	
IC4	XC6213B182N-G	MOS IC		1	K2,K1	
C2	CC73HCH1H101J	C CAPACITOR	100pF 50V J	1	K2,K1	
C3	CK73HBB1H222K	C CAPACITOR	2200pF 50V K	1	K2,K1	
C4	CK73HBB1H222K	C CAPACITOR	2200pF 50V K	1	K2,K1	
C5	CK73HBB1H222K	C CAPACITOR	2200pF 50V K	1	K2,K1	
C6	CK73FXR1C106K	C CAPACITOR	10UF 16V K	1	K2,K1	
C7	CK73GBB1H222K	C CAPACITOR	2200pF 50V K	1	K2,K1	
C8	CK73GBB1H102K	C CAPACITOR	1000pF 50V K	1	K2,K1	
C9	CC73GCH1H390J	C CAPACITOR	39pF 50V J	1	K2,K1	
C10	CC73GCH1H270J	C CAPACITOR	27pF 50V J	1	K2,K1	
C15	CC73GCH1H010C	C CAPACITOR	1pF 50V C	1	K2,K1	
C16	CC73GCH1H050C	C CAPACITOR	5pF 50V C	1	K2,K1	
C18	CK73GBB1C104K	C CAPACITOR	0.1UF 16V K	1	K2,K1	
C19	CK73GGB1H103K	C CAPACITOR	0.01UF 50V K	1	K2,K1	
C20	CK73FXR1C106K	C CAPACITOR	10UF 16V K	1	K2,K1	
C21	CK73GBB1C104K	C CAPACITOR	0.1UF 16V K	1	K2,K1	
C22	CK73GGB1H102K	C CAPACITOR	1000pF 50V K	1	K2,K1	
C25	CK73GBB1H682K	C CAPACITOR	6800pF 50V K	1	K2,K1	
C26	CK73GBB1H682K	C CAPACITOR	6800pF 50V K	1	K2,K1	
C27	CK73GXR1C105K	C CAPACITOR	1UF 16V K	1	K2,K1	
C28	CK73GXR1C105K	C CAPACITOR	1UF 16V K	1	K2,K1	
C29	CC73HCH1H060D	C CAPACITOR	6pF 50V D	1	K2,K1	

△

△
△
△

MODEL	MARK	MODEL	MARK	MODEL	MARK	MODEL	MARK
DDX394	K0	DDX4017BT	E2	DDX4017BT	X1	DDX4017BT1R	
DDX4017DAB	E1	DDX574BH	K2	DDX594	K1		Q1

Safe	Symbol No.	Parts No.	Parts Name	Description	QTY	Local
	C30	CC73HCH1H060D	C CAPACITOR	6pF 50V D	1	K2,K1
	C32	CK73GXR1C105K	C CAPACITOR	1uF 16V K	1	K2,K1
	C33	CK73GXR1C105K	C CAPACITOR	1uF 16V K	1	K2,K1
	C101	CC73GCH1H220J	C CAPACITOR	22pF 50V J	1	K2,K1
	C102	CC73GCH1H220J	C CAPACITOR	22pF 50V J	1	K2,K1
	C103	CC73GCH1H220J	C CAPACITOR	22pF 50V J	1	K2,K1
	C120	CC73GCH1H020C	C CAPACITOR	2pF 50V C	1	K2,K1
	C121	CK73HBB1C104K	C CAPACITOR	0.1uF 16V K	1	K2,K1
	C122	CK73GGB1H102K	C CAPACITOR	1000pF 50V K	1	K2,K1
	C123	CC73HCH1H180J	C CAPACITOR	18pF 50V J	1	K2,K1
	C124	CC73HCH1H180J	C CAPACITOR	18pF 50V J	1	K2,K1
	C125	CC73HCH1H180J	C CAPACITOR	18pF 50V J	1	K2,K1
	C127	CK73GGB1C104K	C CAPACITOR	0.1uF 16V K	1	K2,K1
	C128	CC73GCH1H020C	C CAPACITOR	2pF 50V C	1	K2,K1
	C129	CK73HBB1H222K	C CAPACITOR	2200pF 50V K	1	K2,K1
	C131	CC73HCH1H180J	C CAPACITOR	18pF 50V J	1	K2,K1
	C143	CK73HBB1H222K	C CAPACITOR	2200pF 50V K	1	K2,K1
	C144	CK73HBB1H222K	C CAPACITOR	2200pF 50V K	1	K2,K1
	C146	CK73HBB1H222K	C CAPACITOR	2200pF 50V K	1	K2,K1
	R1	RK73GB2A000J	MG RESISTOR	02 1/10W J	1	K2,K1
	R3	RK73GB2A240J	MG RESISTOR	24Ω 1/10W J	1	K2,K1
	R4	RK73GB2A474J	MG RESISTOR	470kΩ 1/10W J	1	K2,K1
	R5	RK73GB2A474J	MG RESISTOR	470kΩ 1/10W J	1	K2,K1
	R10	RK73HB1J222J	MG RESISTOR	2.2kΩ 1/16W J	1	K2,K1
	R11	RK73HB1J222J	MG RESISTOR	2.2kΩ 1/16W J	1	K2,K1
	R12	RK73HB1J103J	MG RESISTOR	10kΩ 1/16W J	1	K2,K1
	R14	RK73GB2A471J	MG RESISTOR	470Ω 1/10W J	1	K2,K1
	R16	RK73HB1J470J	MG RESISTOR	47Ω 1/16W J	1	K2,K1
	R17	RK73HB1J470J	MG RESISTOR	47Ω 1/16W J	1	K2,K1
	R18	RK73HB1J470J	MG RESISTOR	47Ω 1/16W J	1	K2,K1
	R20	RK73GB2A000J	MG RESISTOR	02 1/10W J	1	K2,K1
	R26	RK73HB1J000J	MG RESISTOR	02 1/16W J	1	K2,K1
	R29	RK73GB2A000J	MG RESISTOR	02 1/10W J	1	K2,K1
	R30	RK73GB2A000J	MG RESISTOR	02 1/10W J	1	K2,K1
	R31	RK73GB2A000J	MG RESISTOR	02 1/10W J	1	K2,K1
	R39	RK73GB2A102J	MG RESISTOR	1kΩ 1/10W J	1	K2,K1
	R40	RK73GB2A000J	MG RESISTOR	02 1/10W J	1	K2,K1
	R41	RK73GB2A000J	MG RESISTOR	02 1/10W J	1	K2,K1
	R42	RK73GB2A000J	MG RESISTOR	02 1/10W J	1	K2,K1
	R43	RK73GB2A000J	MG RESISTOR	02 1/10W J	1	K2,K1
	R44	RK73GB2A000J	MG RESISTOR	02 1/10W J	1	K2,K1
	R45	RK73GB2A000J	MG RESISTOR	02 1/16W J	1	K2,K1
	R51	RK73HB1J000J	MG RESISTOR	02 1/16W J	1	K2,K1
	R52	RK73HB1J000J	MG RESISTOR	02 1/16W J	1	K2,K1
	R53	RK73HB1J000J	MG RESISTOR	02 1/16W J	1	K2,K1
	R54	RK73HB1J000J	MG RESISTOR	02 1/16W J	1	K2,K1
	R103	RK73GB2A000J	MG RESISTOR	02 1/16W J	1	K2,K1
	R104	RK73GB2A000J	MG RESISTOR	02 1/10W J	1	K2,K1
	R105	RK73GB2A000J	MG RESISTOR	02 1/10W J	1	K2,K1
	R107	RK73HB1J000J	MG RESISTOR	02 1/16W J	1	K2,K1
	R108	RK73HB1J000J	MG RESISTOR	02 1/16W J	1	K2,K1
	R109	RK73GB2A000J	MG RESISTOR	02 1/10W J	1	K2,K1
	R110	RK73GB2A000J	MG RESISTOR	02 1/10W J	1	K2,K1
	R111	RK73GB2A000J	MG RESISTOR	02 1/10W J	1	K2,K1
	R112	RK73GB2A000J	MG RESISTOR	02 1/10W J	1	K2,K1
	R114	RK73HB1J470J	MG RESISTOR	47Ω 1/16W J	1	K2,K1
	R115	RK73GB2A223J	MG RESISTOR	22kΩ 1/10W J	1	K2,K1
	R116	RK73GB2A223J	MG RESISTOR	22kΩ 1/10W J	1	K2,K1
	R121	RK73GB2A470J	MG RESISTOR	47Ω 1/10W J	1	K2,K1
	R122	RK73GB2A470J	MG RESISTOR	47Ω 1/10W J	1	K2,K1
	R123	RK73GB2A470J	MG RESISTOR	47Ω 1/10W J	1	K2,K1
	R124	RK73GB2A470J	MG RESISTOR	47Ω 1/10W J	1	K2,K1
	R127	RK73GB2A470J	MG RESISTOR	47Ω 1/10W J	1	K2,K1
	R129	RK73HB1J470J	MG RESISTOR	47Ω 1/16W J	1	K2,K1
	R140	RK73GB2A000J	MG RESISTOR	02 1/10W J	1	K2,K1
	R141	RK73GB2A000J	MG RESISTOR	02 1/16W J	1	K2,K1
	R142	RK73HB1J103J	MG RESISTOR	10kΩ 1/16W J	1	K2,K1
	R143	RK73HB1J103J	MG RESISTOR	10kΩ 1/16W J	1	K2,K1
	R144	RK73HB1J103J	MG RESISTOR	10kΩ 1/16W J	1	K2,K1
	R145	RK73GB2A102J	MG RESISTOR	1kΩ 1/10W J	1	K2,K1
	R155	RK73GB2A470J	MG RESISTOR	47Ω 1/10W J	1	K2,K1
	R166	RK73GB2A470J	MG RESISTOR	47Ω 1/10W J	1	K2,K1
	L1	LK73G0BER15K	M CHIP INDUCTOR		1	K2,K1
	L2	LK73G0BER2NK	M CHIP INDUCTOR		1	K2,K1
	L3	LK73G0BER12K	M CHIP INDUCTOR		1	K2,K1
	L4	LK73G0BER82K	M CHIP INDUCTOR		1	K2,K1
	L5	LK73G0BER1R8K	M CHIP INDUCTOR		1	K2,K1
	L8	LK73G0BER39K	M CHIP INDUCTOR		1	K2,K1
	L10	L1K-0001-00	BALUN TRANS		1	K2,K1
	L14	LK73G0BE100K	M CHIP INDUCTOR		1	K2,K1
	L21	NDR0592-004X	FERRITE BEADS		1	K2,K1
	L22	NDR0592-004X	FERRITE BEADS		1	K2,K1
	L101	NDR0713-001X	FERRITE BEADS		1	K2,K1
	CN1	EA110AD-2017B	W TO B CONN		1	K2,K1
	CN2	EA110AD-2003B	W TO B CONN		1	K2,K1
	X1	L7J-0021-00	QUARTZ CRYSTAL		1	K2,K1
	IC1	SI4763-4A2-GM	MOS IC		1	E1
	IC2	MTV301CQ	MOS IC		1	E1
	IC3	GL3511SB169	MOS IC		1	E1
	IC4	W25Q16DVSSIG	ROM IC		1	E1
	IC5	XC6213B122N-G	MOS IC		1	E1

DAB TUNER PWB ASSY (XJM-0132-72) <XJM>

MODEL	MARK	MODEL	MARK	MODEL	MARK	MODEL	MARK
DDX394	K0	DDX4017BT	E2	DDX4017BT	X1	DDX4017BT1R	Q1
DDX4017DAB	E1	DDX574BH	K2	DDX594	K1		

Safe	Symbol No.	Parts No.	Parts Name	Description	QTY	Local
	IC6	XC6213B182N-G	MOS IC		1	E1
	IC7	XC6213B182N-G	MOS IC		1	E1
	C1	CC73HCH1H270J	C CAPACITOR	27pF 50V J	1	E1
	C2	CC73HCH1H390J	C CAPACITOR	39pF 50V J	1	E1
	C3	CK73HBB1H102K	C CAPACITOR	1000pF 50V K	1	E1
	C4	CK73HBB1H222K	C CAPACITOR	2200pF 50V K	1	E1
	C5	CK73HBB1H103K	C CAPACITOR	0.01uF 50V K	1	E1
	C6	CC73HCH1H010C	C CAPACITOR	1pF 50V C	1	E1
	C7	CC73HCH1H050C	C CAPACITOR	5pF 50V C	1	E1
	C10	CK73HBB1C104K	C CAPACITOR	0.1uF 16V K	1	E1
	C13	CK73HBB1H102K	C CAPACITOR	1000pF 50V K	1	E1
	C14	CK73HBB1H222K	C CAPACITOR	2200pF 50V K	1	E1
	C15	CK73FXR1C106K	C CAPACITOR	10uF 16V K	1	E1
	C16	CK73HBB1H222K	C CAPACITOR	2200pF 50V K	1	E1
	C17	CK73HBB1H222K	C CAPACITOR	2200pF 50V K	1	E1
	C18	CC73HCH1H101J	C CAPACITOR	100pF 50V J	1	E1
	C19	CK73HBB1H222K	C CAPACITOR	2200pF 50V K	1	E1
	C20	CK73HBB1C104K	C CAPACITOR	0.1uF 16V K	1	E1
	C21	CK73GXR1C105K	C CAPACITOR	1uF 16V K	1	E1
	C22	CK73GXR1C105K	C CAPACITOR	1uF 16V K	1	E1
	C23	CK73HBB1H682K	C CAPACITOR	6800pF 50V K	1	E1
	C24	CK73HBB1H682K	C CAPACITOR	6800pF 50V K	1	E1
	C25	CK73FXR1C106K	C CAPACITOR	10uF 16V K	1	E1
	C26	CC73HCH1H180J	C CAPACITOR	18pF 50V J	1	E1
	C27	CC73HCH1H100D	C CAPACITOR	10pF 50V D	1	E1
	C28	CC73HCH1H180J	C CAPACITOR	18pF 50V J	1	E1
	C29	CK73HBB1C104K	C CAPACITOR	0.1uF 16V K	1	E1
	C30	CK73HBB1C104K	C CAPACITOR	0.1uF 16V K	1	E1
	C31	CK73HBB1C104K	C CAPACITOR	0.1uF 16V K	1	E1
	C32	CK73HBB1C104K	C CAPACITOR	0.1uF 16V K	1	E1
	C33	CK73HBB1C104K	C CAPACITOR	0.1uF 16V K	1	E1
	C36	CC73HCH1H060D	C CAPACITOR	6pF 50V D	1	E1
	C37	CC73HCH1H060D	C CAPACITOR	6pF 50V D	1	E1
	C38	CK73HBB1C104K	C CAPACITOR	0.1uF 16V K	1	E1
	C39	CK73FXR1C106K	C CAPACITOR	10uF 16V K	1	E1
	C41	CK73HBB1C104K	C CAPACITOR	0.1uF 16V K	1	E1
	C42	CC73HCH1H080D	C CAPACITOR	8pF 50V D	1	E1
	C43	CC73HCH1H030C	C CAPACITOR	3pF 50V C	1	E1
	C44	CC73HCH1H330J	C CAPACITOR	33pF 50V J	1	E1
	C45	CK73HBB1C104K	C CAPACITOR	0.1uF 16V K	1	E1
	C46	CC73HCH1H680J	C CAPACITOR	68pF 50V J	1	E1
	C47	CK73HBB1H102K	C CAPACITOR	1000pF 50V K	1	E1
	C48	CK73HBB1C104K	C CAPACITOR	0.1uF 16V K	1	E1
	C49	CK73HBB1C104K	C CAPACITOR	0.1uF 16V K	1	E1
	C50	CK73HBB1C104K	C CAPACITOR	0.1uF 16V K	1	E1
	C51	CK73HBB1C104K	C CAPACITOR	0.1uF 16V K	1	E1
	C52	CK73HBB1C104K	C CAPACITOR	0.1uF 16V K	1	E1
	C53	CK73HBB1C104K	C CAPACITOR	0.1uF 16V K	1	E1
	C54	CK73HBB1C104K	C CAPACITOR	0.1uF 16V K	1	E1
	C55	CK73HBB1C104K	C CAPACITOR	0.1uF 16V K	1	E1
	C56	CK73HBB1C104K	C CAPACITOR	0.1uF 16V K	1	E1
	C57	CK73HBB1C104K	C CAPACITOR	0.1uF 16V K	1	E1
	C58	CK73HBB1C104K	C CAPACITOR	0.1uF 16V K	1	E1
	C59	CK73HBB1C104K	C CAPACITOR	0.1uF 16V K	1	E1
	C60	CK73HBB1C104K	C CAPACITOR	0.1uF 16V K	1	E1
	C61	CK73HBB1C104K	C CAPACITOR	0.1uF 16V K	1	E1
	C62	CK73HBB1C104K	C CAPACITOR	0.1uF 16V K	1	E1
	C63	CK73HBB1C104K	C CAPACITOR	0.1uF 16V K	1	E1
	C64	CK73HBB1C104K	C CAPACITOR	0.1uF 16V K	1	E1
	C65	CK73HBB1C104K	C CAPACITOR	0.1uF 16V K	1	E1
	C66	CK73HBB1C104K	C CAPACITOR	0.1uF 16V K	1	E1
	C67	CK73HBB1C104K	C CAPACITOR	0.1uF 16V K	1	E1
	C68	CK73HBB1C104K	C CAPACITOR	0.1uF 16V K	1	E1
	C69	CK73HBB1C104K	C CAPACITOR	0.1uF 16V K	1	E1
	C70	CK73HBB1C104K	C CAPACITOR	0.1uF 16V K	1	E1
	C71	CK73HBB1C104K	C CAPACITOR	0.1uF 16V K	1	E1
	C72	CK73HBB1C104K	C CAPACITOR	0.1uF 16V K	1	E1
	C73	CK73HBB1C104K	C CAPACITOR	0.1uF 16V K	1	E1
	C74	CK73HBB1C104K	C CAPACITOR	0.1uF 16V K	1	E1
	C75	CK73HBB1H102K	C CAPACITOR	1000pF 50V K	1	E1
	C76	CK73GXR0J475K	C CAPACITOR	4.7uF 6.3V K	1	E1
	C77	CK73FXR1C106K	C CAPACITOR	10uF 16V K	1	E1
	C78	CK73GXR1C225K	C CAPACITOR	2.2uF 16V K	1	E1
	C79	CK73FXR0J226M	C CAPACITOR	22uF 6.3V M	1	E1
	C80	CK73GXR1C225K	C CAPACITOR	2.2uF 16V K	1	E1
	C81	CK73FXR1C106K	C CAPACITOR	10uF 16V K	1	E1
	C82	CC73HCH1H100D	C CAPACITOR	10pF 50V D	1	E1
	C86	CC73HCH1H100D	C CAPACITOR	10pF 50V D	1	E1
	C96	CC73HCH1H221J	C CAPACITOR	220pF 50V J	1	E1
	C97	CC73HCH1H100D	C CAPACITOR	10pF 50V D	1	E1
	R1	CK73HB1J474J	MG RESISTOR	470kΩ 1/16W J	1	E1
	R2	CK73HB1J474J	MG RESISTOR	470kΩ 1/16W J	1	E1
	R3	CK73HB1J471J	MG RESISTOR	470Ω 1/16W J	1	E1
	R5	CK73HB1J000J	MG RESISTOR	0Ω 1/16W J	1	E1
	R6	CK73HB1J240J	MG RESISTOR	24Ω 1/16W J	1	E1
	R13	CK73HB1J470J	MG RESISTOR	47Ω 1/16W J	1	E1
	R14	CK73HB1J470J	MG RESISTOR	47Ω 1/16W J	1	E1
	R15	CK73HB1J470J	MG RESISTOR	47Ω 1/16W J	1	E1
	R16	CK73HB1J103J	MG RESISTOR	10kΩ 1/16W J	1	E1
	R17	CK73HB1J222J	MG RESISTOR	2.2kΩ 1/16W J	1	E1
	R18	CK73HB1J222J	MG RESISTOR	2.2kΩ 1/16W J	1	E1
	R19	CK73HB1J470J	MG RESISTOR	47Ω 1/16W J	1	E1

MODEL	MARK	MODEL	MARK	MODEL	MARK	MODEL	MARK
DDX394	K0	DDX4017BT	E2	DDX4017BT	X1	DDX4017BT1R	Q1
DDX4017DAB	E1	DDX574BH	K2	DDX594	K1		

Safe	Symbol No.	Parts No.	Parts Name	Description	QTY	Local
	R20	RK73HB1J470J	MG RESISTOR	47Ω 1/16W J	1	E1
	R21	RK73HB1J470J	MG RESISTOR	47Ω 1/16W J	1	E1
	R22	RK73HB1J470J	MG RESISTOR	47Ω 1/16W J	1	E1
	R23	RK73HB1J470J	MG RESISTOR	47Ω 1/16W J	1	E1
	R24	RK73HB1J470J	MG RESISTOR	0Ω 1/16W J	1	E1
	R25	RK73HB1J000J	MG RESISTOR	0Ω 1/16W J	1	E1
	R26	RK73HB1J000J	MG RESISTOR	0Ω 1/16W J	1	E1
	R27	RK73HB1J000J	MG RESISTOR	0Ω 1/16W J	1	E1
	R28	RK73HB1J000J	MG RESISTOR	0Ω 1/16W J	1	E1
	R29	RK73HB1J000J	MG RESISTOR	0Ω 1/16W J	1	E1
	R30	RK73HB1J000J	MG RESISTOR	0Ω 1/16W J	1	E1
	R31	RK73HB1J000J	MG RESISTOR	0Ω 1/16W J	1	E1
	R32	RK73HB1J000J	MG RESISTOR	0Ω 1/16W J	1	E1
	R33	RK73HB1J101J	MG RESISTOR	100Ω 1/16W J	1	E1
	R34	RK73HB1J101J	MG RESISTOR	100Ω 1/16W J	1	E1
	R35	RK73HB1J222J	MG RESISTOR	2.2KΩ 1/16W J	1	E1
	R36	RK73HB1J222J	MG RESISTOR	2.2KΩ 1/16W J	1	E1
	R37	RK73HB1J104J	MG RESISTOR	100KΩ 1/16W J	1	E1
	R38	RK73HB1J000J	MG RESISTOR	0Ω 1/16W J	1	E1
	R39	RK73HB1J104J	MG RESISTOR	100KΩ 1/16W J	1	E1
	R40	RK73HB1J104J	MG RESISTOR	100KΩ 1/16W J	1	E1
	R41	RK73HB1J104J	MG RESISTOR	100KΩ 1/16W J	1	E1
	R44	RK73HB1J000J	MG RESISTOR	0Ω 1/16W J	1	E1
	R45	RK73HB1J000J	MG RESISTOR	0Ω 1/16W J	1	E1
	R46	RK73HH1J433D	MG RESISTOR	43KΩ 1/16W D	1	E1
	R47	RK73HH1J433D	MG RESISTOR	43KΩ 1/16W D	1	E1
	R48	RK73HH1J623D	MG RESISTOR	62KΩ 1/16W D	1	E1
	R49	RK73HH1J623D	MG RESISTOR	62KΩ 1/16W D	1	E1
	R50	RK73HB1J101J	MG RESISTOR	100Ω 1/16W J	1	E1
	R51	RK73HB1J101J	MG RESISTOR	100Ω 1/16W J	1	E1
	R52	RK73HB1J104J	MG RESISTOR	100KΩ 1/16W J	1	E1
	R53	RK73HB1J104J	MG RESISTOR	100KΩ 1/16W J	1	E1
	R54	RK73HB1J103J	MG RESISTOR	10KΩ 1/16W J	1	E1
	R55	RK73HB1J104J	MG RESISTOR	100KΩ 1/16W J	1	E1
	R56	RK73HB1J103J	MG RESISTOR	10KΩ 1/16W J	1	E1
	R57	RK73HB1J104J	MG RESISTOR	100KΩ 1/16W J	1	E1
	R58	RK73HB1J104J	MG RESISTOR	100KΩ 1/16W J	1	E1
	R59	RK73HB1J101J	MG RESISTOR	100Ω 1/16W J	1	E1
	R60	RK73HB1J101J	MG RESISTOR	100Ω 1/16W J	1	E1
	R61	RK73HB1J101J	MG RESISTOR	100Ω 1/16W J	1	E1
	R62	RK73HB1J101J	MG RESISTOR	100Ω 1/16W J	1	E1
	R63	RK73HB1J101J	MG RESISTOR	100Ω 1/16W J	1	E1
	R64	RK73HB1J101J	MG RESISTOR	100Ω 1/16W J	1	E1
	R65	RK73HB1J103J	MG RESISTOR	10KΩ 1/16W J	1	E1
	R66	RK73HB1J103J	MG RESISTOR	10KΩ 1/16W J	1	E1
	R67	RK73HB1J103J	MG RESISTOR	10KΩ 1/16W J	1	E1
	R68	RK73HB1J103J	MG RESISTOR	10KΩ 1/16W J	1	E1
	R69	RK73HB1J101J	MG RESISTOR	100Ω 1/16W J	1	E1
	R70	RK73HB1J101J	MG RESISTOR	100Ω 1/16W J	1	E1
	R71	RK73HB1J101J	MG RESISTOR	100Ω 1/16W J	1	E1
	R72	RK73HB1J101J	MG RESISTOR	100Ω 1/16W J	1	E1
	R73	RK73HB1J101J	MG RESISTOR	100Ω 1/16W J	1	E1
	R74	RK73HB1J101J	MG RESISTOR	100Ω 1/16W J	1	E1
	R79	RK73HB1J103J	MG RESISTOR	10KΩ 1/16W J	1	E1
	R80	RK73HB1J103J	MG RESISTOR	10KΩ 1/16W J	1	E1
	R81	RK73HB1J470J	MG RESISTOR	47Ω 1/16W J	1	E1
	R82	RK73HB1J470J	MG RESISTOR	47Ω 1/16W J	1	E1
	R83	RK73HB1J470J	MG RESISTOR	47Ω 1/16W J	1	E1
	R84	RK73HB1J470J	MG RESISTOR	47Ω 1/16W J	1	E1
	R88	RK73HB1J470J	MG RESISTOR	47Ω 1/16W J	1	E1
	R89	RK73HB1J470J	MG RESISTOR	47Ω 1/16W J	1	E1
	R90	RK73HB1J470J	MG RESISTOR	47Ω 1/16W J	1	E1
	R91	RK73GB2A102J	MG RESISTOR	1KΩ 1/10W J	1	E1
	R92	RK73GB2A102J	MG RESISTOR	1KΩ 1/10W J	1	E1
	R93	RK73GB2A102J	MG RESISTOR	1KΩ 1/10W J	1	E1
	R95	RK73HB1J105J	MG RESISTOR	1MΩ 1/16W J	1	E1
	R96	RK73HB1J000J	MG RESISTOR	0Ω 1/16W J	1	E1
	R97	RK73HB1J000J	MG RESISTOR	0Ω 1/16W J	1	E1
	R98	RK73HB1J000J	MG RESISTOR	0Ω 1/16W J	1	E1
	R99	RK73HB1J000J	MG RESISTOR	0Ω 1/16W J	1	E1
	R100	RK73HB1J000J	MG RESISTOR	0Ω 1/16W J	1	E1
	R102	RK73HB1J000J	MG RESISTOR	0Ω 1/16W J	1	E1
	R105	RK73GB2A102J	MG RESISTOR	1KΩ 1/10W J	1	E1
	L2	LK73G0BER12K	M.CHIP INDUCTOR		1	E1
	L3	LK73G0BE82NK	M.CHIP INDUCTOR		1	E1
	L4	LK73G0BER12K	M.CHIP INDUCTOR		1	E1
	L5	L1K-0001-00	BALUN TRANS		1	E1
	L6	LK73G0BE1R8K	M.CHIP INDUCTOR		1	E1
	L7	LK73G0BER39K	M.CHIP INDUCTOR		1	E1
	L8	LK73G0BE100K	M.CHIP INDUCTOR		1	E1
	L10	LK73G0BF33NJ	M.CHIP INDUCTOR		1	E1
	L11	LK73G0BF68NJ	M.CHIP INDUCTOR		1	E1
	L12	LK73G0BFR15J	M.CHIP INDUCTOR		1	E1
	L13	LK73G0BFR15J	M.CHIP INDUCTOR		1	E1
	L14	LK73G0BF3N3S	M.CHIP INDUCTOR		1	E1
	L15	LK73G0BF5N6S	M.CHIP INDUCTOR		1	E1
	L16	LK73G0BF10NJ	M.CHIP INDUCTOR		1	E1
	L17	LK73G0BF10NJ	M.CHIP INDUCTOR		1	E1
	L18	LK73G0BF82NJ	M.CHIP INDUCTOR		1	E1
	L20	LK73G0BFR22J	M.CHIP INDUCTOR		1	E1

MODEL	MARK	MODEL	MARK	MODEL	MARK	MODEL	MARK
DDX394	K0	DDX4017BT	E2	DDX4017BT	X1	DDX4017B1R	Q1
DDX4017DAB	E1	DDX574BH	K2	DDX594	K1		

Safe	Symbol No.	Parts No.	Parts Name	Description	QTY	Local
	L21	LK73G0BFR22J	M CHIP INDUCTOR		1	E1
	L22	NCR0592-004X	FERRITE BEADS		1	E1
	L23	NCR0592-004X	FERRITE BEADS		1	E1
	L24	NCR0592-004X	FERRITE BEADS		1	E1
	L26	NCR0592-004X	FERRITE BEADS		1	E1
	L29	LB73H0CG-001	CHIP FERRITE		1	E1
	L30	LB73H0CG-001	CHIP FERRITE		1	E1
	CN1	EA110AD-2017B	W TO B CONN		1	E1
	CN2	EA110AD-2007B	W TO B CONN		1	E1
	J1	QNB0353-001	ANT TERMINAL		1	E1
	TH1	FSMD035-R	P THERMISTOR		1	E1
	VA1	F0K-0014-00	SURGE ABSORBER		1	E1
	X1	L7J-0028-00	QUARTZ CRYSTAL		1	E1

X2 L7J-0027-00 QUARTZ CRYSTAL

DVD MECHA PWB ASSY (XJE-020J-01) <XJE>

IC1	BD8205EFV-M	BIPOLAR IC			1	
IC301	MN2DS0041MD	IC			1	
IC381	WZZ-0062-00	PROGRAMMED IC			1	
IC391	M12L128168A6TG	SV-DRAW IC			1	
IC921	BD12KA5FP-X	IC			1	
Q12	LTC044EEBF58	DIGI TRANSISTOR			1	
Q101	2SB1709MG	TRANSISTOR			1	
Q102	2SB1709MG	TRANSISTOR			1	
Q103	LTC014EEBF-S8	DIGI TRANSISTOR			1	
Q107	UMX1N-W	PAIR TRANSISTOR			1	
Q108	SSM6N15AFEM	DUAL FET			1	
Q302	LTC044EEBF58	DIGI TRANSISTOR			1	
C1	CK73EXR1C226M	C CAPACITOR	220pF 50V M		1	
C4	CK73FXR0J226M	C CAPACITOR	22uF 6.3V M		1	
C5	CK73FXR0J226M	C CAPACITOR	22uF 6.3V M		1	
C6	CK73FXR0J226M	C CAPACITOR	22uF 6.3V M		1	
C7	CK73FXR0J226M	C CAPACITOR	22uF 6.3V M		1	
C8	CK73FXR0J226M	C CAPACITOR	22uF 6.3V M		1	
C9	CK73HBB1H222K	C CAPACITOR	2200pF 50V K		1	
C10	CK73HBB1H222K	C CAPACITOR	2200pF 50V K		1	
C11	CK73HBB1H222K	C CAPACITOR	2200pF 50V K		1	
C12	CK73HBB1H222K	C CAPACITOR	2200pF 50V K		1	
C14	CK73HBB1H471K	C CAPACITOR	470pF 50V K		1	
C16	CK73HXR1C104K	C CAPACITOR	0.1uF 16V K		1	
C20	CK73HBB1H472K	C CAPACITOR	4700pF 50V K		1	
C26	CK73HBB1H472K	C CAPACITOR	4700pF 50V K		1	
C27	CK73HBB1H471K	C CAPACITOR	470pF 50V K		1	
C28	CK73HBB1H471K	C CAPACITOR	470pF 50V K		1	
C29	CK73HBB1H471K	C CAPACITOR	470pF 50V K		1	
C30	CK73HBB1H471K	C CAPACITOR	470pF 50V K		1	
C31	CK73HBB1H471K	C CAPACITOR	470pF 50V K		1	
C32	CK73G8B1H471K	C CAPACITOR	470pF 50V K		1	
C33	CK73HBB1H471K	C CAPACITOR	470pF 50V K		1	
C34	CK73HBB1H471K	C CAPACITOR	470pF 50V K		1	
C35	CK73HBB1H472K	C CAPACITOR	4700pF 50V K		1	
C36	CK73HBB1H472K	C CAPACITOR	4700pF 50V K		1	
C37	CK73HBB1H472K	C CAPACITOR	4700pF 50V K		1	
C101	CK730BS0J105K	C CAPACITOR	1uF 6.3V K		1	
C102	CK730BY0J476M	C CAPACITOR	47uF 6.3V M		1	
C103	CK730BY0J476M	C CAPACITOR	47uF 6.3V M		1	
C105	CK73HBB1A104K	C CAPACITOR	0.1uF 10V K		1	

C106	CK73HBB1A104K	C CAPACITOR	0.1uF 10V K		1	
C107	CK73HBB1A104K	C CAPACITOR	0.1uF 10V K		1	
C108	CK73HBB1A104K	C CAPACITOR	0.1uF 10V K		1	
C109	CK73HBB1A104K	C CAPACITOR	0.1uF 10V K		1	
C110	CK73HBB1A104K	C CAPACITOR	0.1uF 10V K		1	
C111	CK730BS0J105K	C CAPACITOR	1uF 6.3V K		1	
C112	CK730B5W0J226M	C CAPACITOR	22uF 6.3V M		1	
C113	CK73HBB1A104K	C CAPACITOR	0.1uF 10V K		1	
C121	CK73HBB1A104K	C CAPACITOR	0.1uF 10V K		1	
C122	CK73HBB1C333K	C CAPACITOR	0.033uF 16V K		1	
C123	CK73HBB1A104K	C CAPACITOR	0.1uF 10V K		1	
C124	CK73HBB1A104K	C CAPACITOR	0.1uF 10V K		1	
C133	NCJ1AK-684W-A	C CAPACITOR	0.68uF 10V K		1	
C134	NCJ1AK-684W-A	C CAPACITOR	0.68uF 10V K		1	
C135	CK73HBB1A104K	C CAPACITOR	0.1uF 10V K		1	
C136	CK73HBB1A104K	C CAPACITOR	0.1uF 10V K		1	
C137	CK73HBB1A104K	C CAPACITOR	0.1uF 10V K		1	
C138	CK73HBB1A104K	C CAPACITOR	0.1uF 10V K		1	
C139	CK73HBB1A104K	C CAPACITOR	0.1uF 10V K		1	
C151	CK73HBB1A104K	C CAPACITOR	0.1uF 10V K		1	
C170	CK73HBB1A104K	C CAPACITOR	0.1uF 10V K		1	

C201	CK73FXR0J226M	C CAPACITOR	22uF 6.3V M		1	
C202	CK73HXR1C104K	C CAPACITOR	0.1uF 16V K		1	
C203	CK73HXR1C104K	C CAPACITOR	0.1uF 16V K		1	
C204	CK73GXR0J475K	C CAPACITOR	4.7uF 6.3V K		1	
C210	CK73HBB1H152K	C CAPACITOR	1500pF 50V K		1	
C211	CG73HC1H151J	C CAPACITOR	150pF 50V J		1	
C241	CK73G8B1H392K	C CAPACITOR	3900pF 50V K		1	
C294	CK73G8B1H103K	C CAPACITOR	0.01uF 50V K		1	
C301	CK73HBB1A104K	C CAPACITOR	0.1uF 10V K		1	
C302	CK73HBB1A104K	C CAPACITOR	0.1uF 10V K		1	
C303	CK73HBB1A104K	C CAPACITOR	0.1uF 10V K		1	
C304	CK73HBB1A104K	C CAPACITOR	0.1uF 10V K		1	
C305	CK73HBB1A104K	C CAPACITOR	0.1uF 10V K		1	
C306	CK73HBB1A104K	C CAPACITOR	0.1uF 10V K		1	
C307	CK73HBB1A104K	C CAPACITOR	0.1uF 10V K		1	

MODEL	MARK	MODEL	MARK	MODEL	MARK	MODEL	MARK
DDX394	K0	DDX4017BT	E2	DDX4017BT	X1	DDX4017BT1R	
DDX4017DAB	E1	DDX574BH	K2	DDX594	K1		Q1

Safe	Symbol No.	Parts No.	Parts Name	Description		MARK	MODEL	QTY	
									Local
	C311	CK73HBB1A104K	C CAPACITOR	0.1uF	10V K			1	
	C314	CC73HCH1H151J	C CAPACITOR	1500pF	50V J			1	
	C315	CK73HBB1H102K	C CAPACITOR	1000pF	50V K			1	
	C316	CK730BS0J105K	C CAPACITOR	1uF	6.3V K			1	
	C317	CK730BS0J105K	C CAPACITOR	1uF	6.3V K			1	
	C318	CK73HBB1A104K	C CAPACITOR	0.1uF	10V K			1	
	C319	CK73HBB1A104K	C CAPACITOR	0.1uF	10V K			1	
	C320	CK73HBB1A104K	C CAPACITOR	0.1uF	10V K			1	
	C322	CK73HBB1A104K	C CAPACITOR	0.1uF	10V K			1	
	C324	CK73HBB1A104K	C CAPACITOR	0.1uF	10V K			1	
	C325	CK73HBB1A104K	C CAPACITOR	0.1uF	10V K			1	
	C326	CK73HBB1E103K	C CAPACITOR	0.01uF	25V K			1	
	C327	CK73HBB1A104K	C CAPACITOR	0.1uF	10V K			1	
	C329	CK73HBB1A104K	C CAPACITOR	0.1uF	10V K			1	
	C330	CK73HBB1A104K	C CAPACITOR	0.1uF	10V K			1	
	C331	CK73HBB1A104K	C CAPACITOR	0.1uF	10V K			1	
	C332	CK73HBB1A104K	C CAPACITOR	0.1uF	10V K			1	
	C333	CK73HBB1A104K	C CAPACITOR	0.1uF	10V K			1	
	C351	CC73HCH1H120J	C CAPACITOR	12pF	50V J			1	
	C352	CC73HCH1H120J	C CAPACITOR	12pF	50V J			1	
	C382	CK73HBB1A104K	C CAPACITOR	0.1uF	10V K			1	
	C391	CK730AXX0J106K	C CAPACITOR	10uF	6.3V K			1	
	C392	CK73HBB1A104K	C CAPACITOR	0.1uF	10V K			1	
	C396	CK73HBB1A104K	C CAPACITOR	0.1uF	10V K			1	
	C398	CK73HBB1A104K	C CAPACITOR	0.1uF	10V K			1	
	C511	CK73XKR1H471K	C CAPACITOR	470pF	50V K			1	
	C911	CK730BY0J476M	C CAPACITOR	47uF	6.3V M			1	
	C912	CK73HBB1A104K	C CAPACITOR	0.1uF	10V K			1	
	C913	CK730AXX0J106K	C CAPACITOR	10uF	6.3V K			1	
	C921	CK730BS0J105K	C CAPACITOR	1uF	6.3V K			1	
	C923	CK730BS0J105K	C CAPACITOR	1uF	6.3V K			1	
	R12	CK73HBB1J822J	CG RESISTOR	8.2KΩ	1/16W J			1	
	R17	CK73HBB1J473J	CG RESISTOR	47KΩ	1/16W J			1	
	R19	CK73HBB1J221J	CG RESISTOR	220Ω	1/16W J			1	
	R20	CK73HBB1J221J	CG RESISTOR	220Ω	1/16W J			1	
	R21	CK73HBB1J221J	CG RESISTOR	220Ω	1/16W J			1	
	R22	CK73HBB1J221J	CG RESISTOR	220Ω	1/16W J			1	
	R23	CK73HH1J432D	CG RESISTOR	4.3KΩ	1/16W D			1	
	R24	CK73HBB1J472J	CG RESISTOR	4.7KΩ	1/16W J			1	
	R26	CK73HBB1J103J	CG RESISTOR	10KΩ	1/16W J			1	
	R34	CK73FB2B000J	CG RESISTOR	0Ω	1/8W J			1	
	R35	CK73HBB1J222J	CG RESISTOR	2.2KΩ	1/16W J			1	
	R36	CK73FB2B000J	CG RESISTOR	0Ω	1/8W J			1	
	R101	CK73GB2A471J	CG RESISTOR	470Ω	1/10W J			1	
	R102	CK73HBB1J471J	CG RESISTOR	470Ω	1/16W J			1	
	R103	CK73GB2A102J	CG RESISTOR	1KΩ	1/10W J			1	
	R104	CK73HBB1J2R2J	CG RESISTOR	2.2Ω	1/16W J			1	
	R106	CK73HBB1J000J	CG RESISTOR	0Ω	1/16W J			1	
	R107	CK73HBB1J000J	CG RESISTOR	0Ω	1/16W J			1	
	R108	CK73GB2A000J	CG RESISTOR	0Ω	1/10W J			1	
	R111	CK73GB2A471J	CG RESISTOR	470Ω	1/10W J			1	
	R112	CK73HBB1J471J	CG RESISTOR	470Ω	1/16W J			1	
	R113	CK73GB2A102J	CG RESISTOR	1KΩ	1/10W J			1	
	R114	CK73HBB1J2R2J	CG RESISTOR	2.2Ω	1/16W J			1	
	R115	NR20122-180X	CG RESISTOR	18Ω				1	
	R116	CK73HBB1J242J	CG RESISTOR	2.4KΩ	1/16W J			1	
	R117	CK73HBB1J432J	CG RESISTOR	4.3KΩ	1/16W J			1	
	R122	CK73HBB1J000J	CG RESISTOR	0Ω	1/16W J			1	
	R123	CK73HBB1J103J	CG RESISTOR	10KΩ	1/16W J			1	
	R124	CK73HBB1J103J	CG RESISTOR	10KΩ	1/16W J			1	
	R138	CK73HBB1J000J	CG RESISTOR	0Ω	1/16W J			1	
	R139	CK73HBB1J472J	CG RESISTOR	4.7KΩ	1/16W J			1	
	R151	CK73HBB1J473J	CG RESISTOR	47KΩ	1/16W J			1	
	R165	CK73HH1J332D	CG RESISTOR	3.3KΩ	1/16W D			1	
	R171	CK73HH1J162D	CG RESISTOR	1.6KΩ	1/16W D			1	
	R182	CK73GB2A000J	CG RESISTOR	0Ω	1/10W J			1	
	R212	CK73GB2A223J	CG RESISTOR	22KΩ	1/10W J			1	
	R214	CK73GB2A103J	CG RESISTOR	10KΩ	1/10W J			1	
	R215	CK73GB2A203J	CG RESISTOR	20KΩ	1/10W J			1	
	R216	CK73GB2A104J	CG RESISTOR	100KΩ	1/10W J			1	
	R217	CK73HBB1J222J	CG RESISTOR	2.2KΩ	1/16W J			1	
	R218	CK73HBB1J752J	CG RESISTOR	7.5KΩ	1/16W J			1	
	R219	CK73HBB1J822J	CG RESISTOR	8.2KΩ	1/16W J			1	
	R220	CK73HBB1J223J	CG RESISTOR	22KΩ	1/16W J			1	
	R221	CK73HBB1J623J	CG RESISTOR	62KΩ	1/16W J			1	
	R230	CK73HBB1J102J	CG RESISTOR	1KΩ	1/16W J			1	
	R241	CK73GB2A123J	CG RESISTOR	12KΩ	1/10W J			1	
	R301	CK73HBB1J103J	CG RESISTOR	10KΩ	1/16W J			1	
	R302	CK73HBB1J101J	CG RESISTOR	100Ω	1/16W J			1	
	R303	CK73HBB1J101J	CG RESISTOR	100Ω	1/16W J			1	
	R304	CK73HBB1J101J	CG RESISTOR	100Ω	1/16W J			1	
	R308	CK73HBB1J331J	CG RESISTOR	330Ω	1/16W J			1	
	R310	CK73HH1J102D	CG RESISTOR	1KΩ	1/16W D			1	
	R311	CK73HBB1J223J	CG RESISTOR	22KΩ	1/16W J			1	
	R314	CK73GB2A393J	CG RESISTOR	39KΩ	1/10W J			1	
	R315	CK73GB2A472J	CG RESISTOR	4.7KΩ	1/10W J			1	
	R319	CK73GH2A243D	CG RESISTOR	24KΩ	1/10W D			1	
	R323	CK73HBB1J104J	CG RESISTOR	100KΩ	1/16W J			1	
	R327	CK73HBB1J270J	CG RESISTOR	27Ω	1/16W J			1	
	R351	CK73HBB1J105J	CG RESISTOR	1MΩ	1/16W J			1	

MODEL	MARK	MODEL	MARK	MODEL	MARK	MODEL	MARK
DDX394	K0	DDX4017BT	E2	DDX4017BT	X1	DDX4017BT1R	Q1
DDX4017DAB	E1	DDX574BH	K2	DDX594	K1		

Safe	Symbol No.	Parts No.	Parts Name	Description	QTY	
					Local	
	R352	RK73HB1J102J	MG RESISTOR	1KΩ 1/16W J	1	
	R386	RK73HB1J184J	MG RESISTOR	180KΩ 1/16W J	1	
	R702	RK73HB1J102J	MG RESISTOR	1KΩ 1/16W J	1	
	R911	NRZ0098-R18X	MG RESISTOR	0.18Ω	1	
	L1	LB73H0CT-002	CHIP FERRITE		1	
	L2	LB73H0CT-002	CHIP FERRITE		1	
	L3	LB73H0CT-002	CHIP FERRITE		1	
	L4	LB73H0CT-002	CHIP FERRITE		1	
	L5	LB73H0CT-002	CHIP FERRITE		1	
	L6	LB73H0CT-002	CHIP FERRITE		1	
	L7	LB73H0CT-002	CHIP FERRITE		1	
	CN101	EC720AA-0524A	FPC/FPC CONNE		1	
	CN201	EA720AM-1206A	W TO B CONNE		1	
	CN202	EA720AM-1202A	W TO B CONNE		1	
	CN301	EA720AM-1202A	W TO B CONNE		1	
	CN401	OGF0534FT-35X	FFC/FPC CONNE	FFC/FPC (1-35)	1	
	CN501	OGA1501F4-03W	W TO B CONNE	W-B (1-3)	1	
	S1	SGJ-0002-00	PUSH SWITCH		1	
	TH491	NAD0055-103X	THERMISTOR		1	
	X351	NAX1135-001X	CRYSTAL	10KΩ	1	