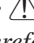
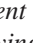
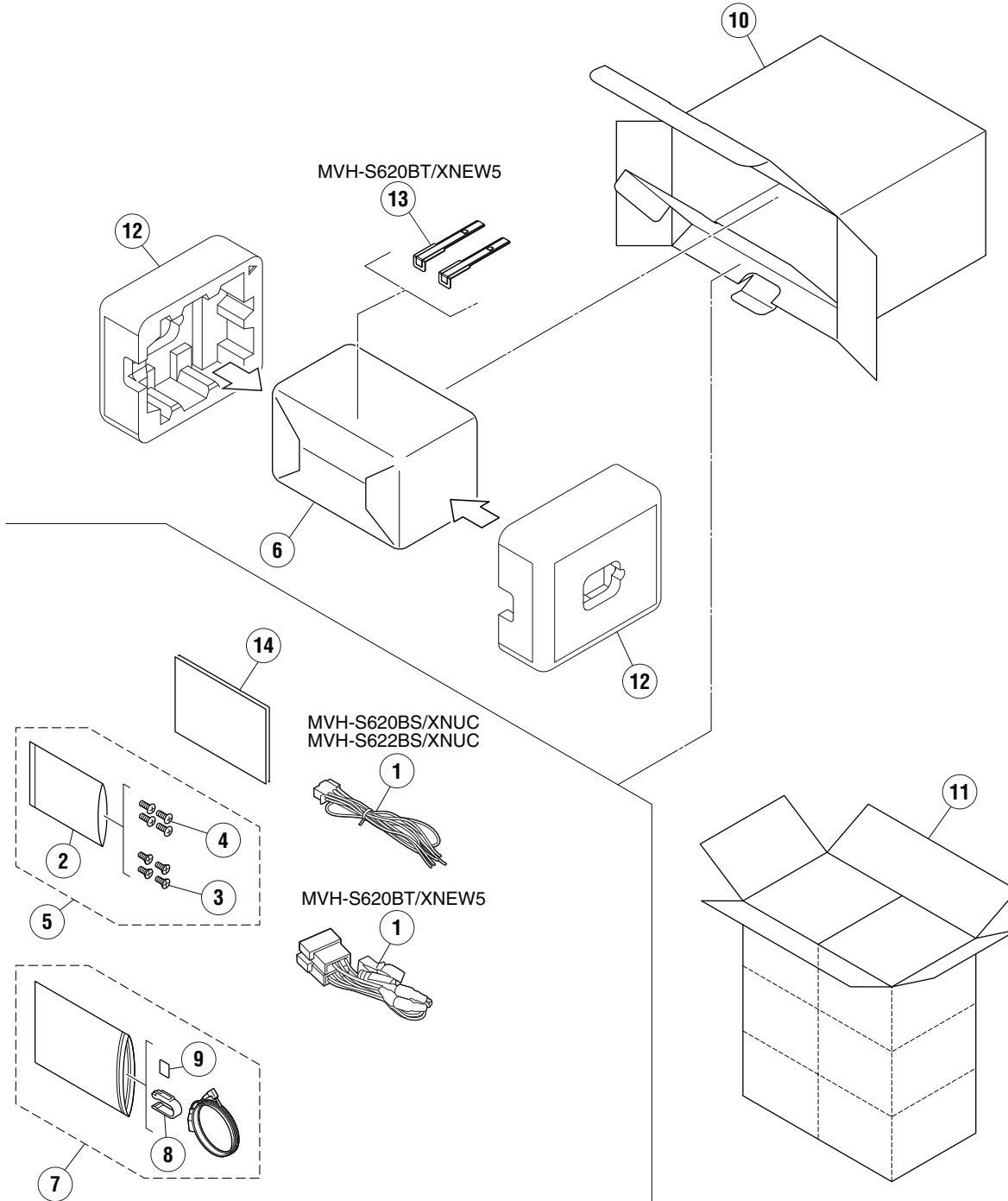


# 9. EXPLODED VIEWS AND PARTS LIST

- NOTES :
- Parts marked by " \* " are generally unavailable because they are not in our Master Spare Parts List.
  - The  mark found on some component parts indicates the importance of the safety factor of the part. Therefore, when replacing, be sure to use parts of identical designation.
  - Screw adjacent to  mark on the product are used for disassembly.
  - For the applying amount of lubricants or glue, follow the instructions in this manual. (In the case of no amount instructions, apply as you think it appropriate.)

## 9.1 PACKING SECTION



**(1) PACKING SECTION PARTS LIST**

| Mark | No.  | Symbol and Description | MVH-S620BS/XNUC            | MVH-S622BS/XNUC            | MVH-S620BT/XNEW5           |
|------|------|------------------------|----------------------------|----------------------------|----------------------------|
| *    | 1    | Cord Assy              | CDP1484                    | CDP1484                    | QDP3072                    |
|      | 2    | Polyethylene Bag       | CEG1160                    | CEG1160                    | Not used                   |
|      | 3    | Screw                  | CBA2383                    | CBA2383                    | Not used                   |
|      | 4    | Screw                  | CBA2384                    | CBA2384                    | Not used                   |
|      | 5    | Accessory Assy         | QEA3339                    | QEA3339                    | Not used                   |
|      | 6    | Cover                  | QEG3007                    | QEG3007                    | QEG3008                    |
|      | 7    | Microphone Assy        | CPM1109                    | CPM1109                    | CPM1109                    |
|      | 8    | Holder                 | CZN7192                    | CZN7192                    | CZN7192                    |
|      | 9    | Cushion                | CZN7193                    | CZN7193                    | CZN7193                    |
|      | 10   | Unit Box               | QHG4675                    | QHG4676                    | QHG4674                    |
|      | 11   | Contain Box            | QHL4675                    | QHL4676                    | QHL4674                    |
|      | 12   | Protector              | QHP3068                    | QHP3068                    | QHP3069                    |
|      | 13   | Handle                 | Not used                   | Not used                   | QNC3168                    |
|      | 14-1 | Owner's Manual         | Not used                   | Not used                   | QRB3915                    |
|      | 14-2 | Quick Start Guide      | QRD3736                    | QRD3736                    | QRD3738                    |
|      | 14-3 | Quick Start Guide      | Not used                   | Not used                   | QRD3739                    |
|      | 14-4 | Web IM                 | See Contents of Web IM (2) | See Contents of Web IM (2) | See Contents of Web IM (2) |
| *    | 14-5 | Warranty Card          | QRY3001                    | QRY3001                    | CRY1376                    |

**Quick Start Guide, Owner's Manual**

| Part No. | Language                          |
|----------|-----------------------------------|
| QRD3736  | English, French, Spanish(Espanol) |
| QRD3738  | English, French, Italian          |
| QRD3739  | Spanish(Espanol), German, Dutch   |
| QRB3915  | Russian                           |

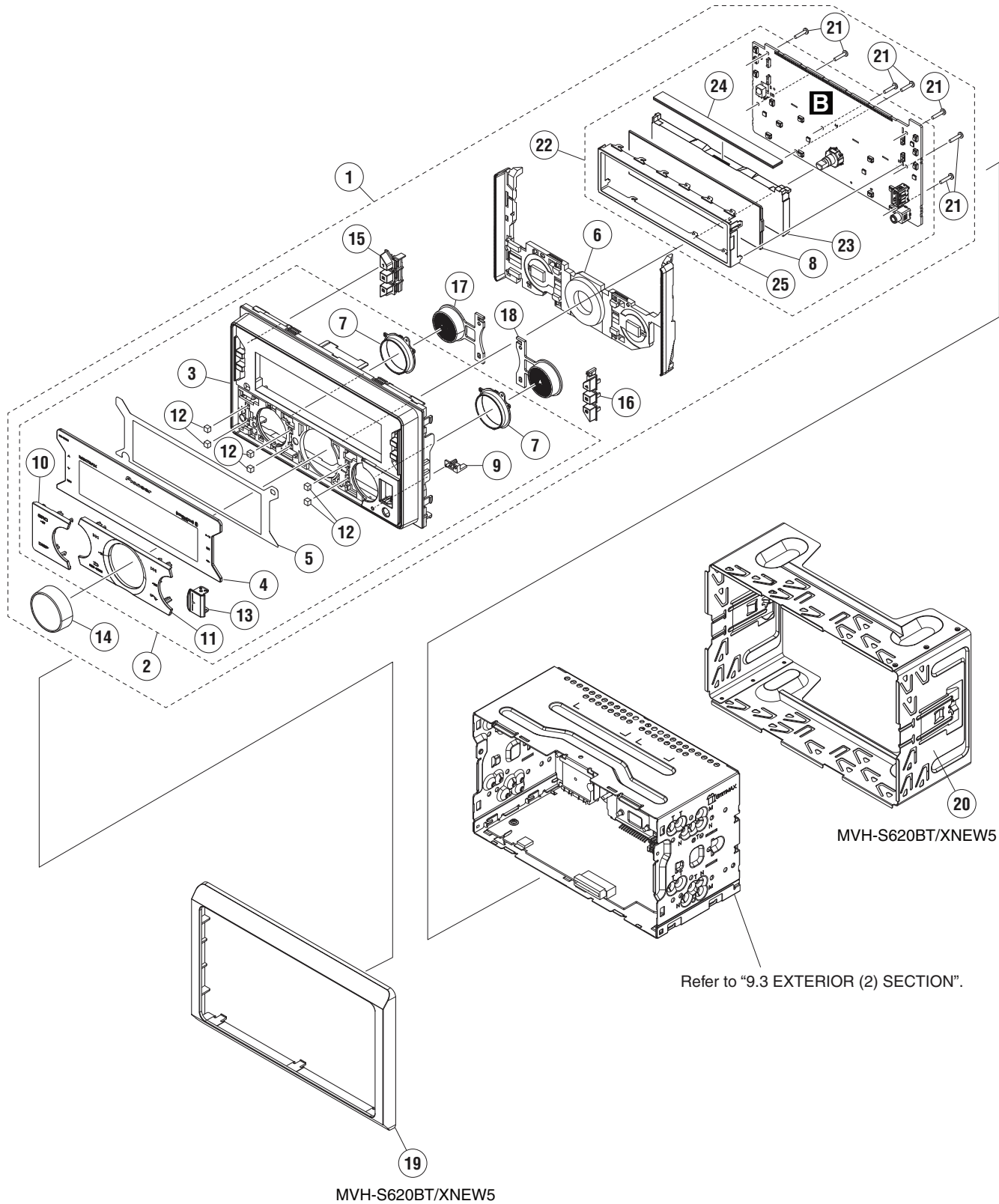
**(2) CONTENTS OF WEB IM**

| Part No.                          | Language  |
|-----------------------------------|---|
| *OPM_FHS720BSUC_3L_A(for XNUC)    | English, French, Spanish(Espanol)                         |
| *OPM_MVHS620BTEW5_6L_A(for XNEW5) | English, French, Italian, Spanish(Espanol), German, Dutch |

All operation manuals are supplied in PDF files by the WEB. No printed papers are available.

# 9.2 EXTERIOR (1) SECTION

A  
B  
C  
D  
E  
F



**(1) EXTERIOR (1) SECTION PARTS LIST**

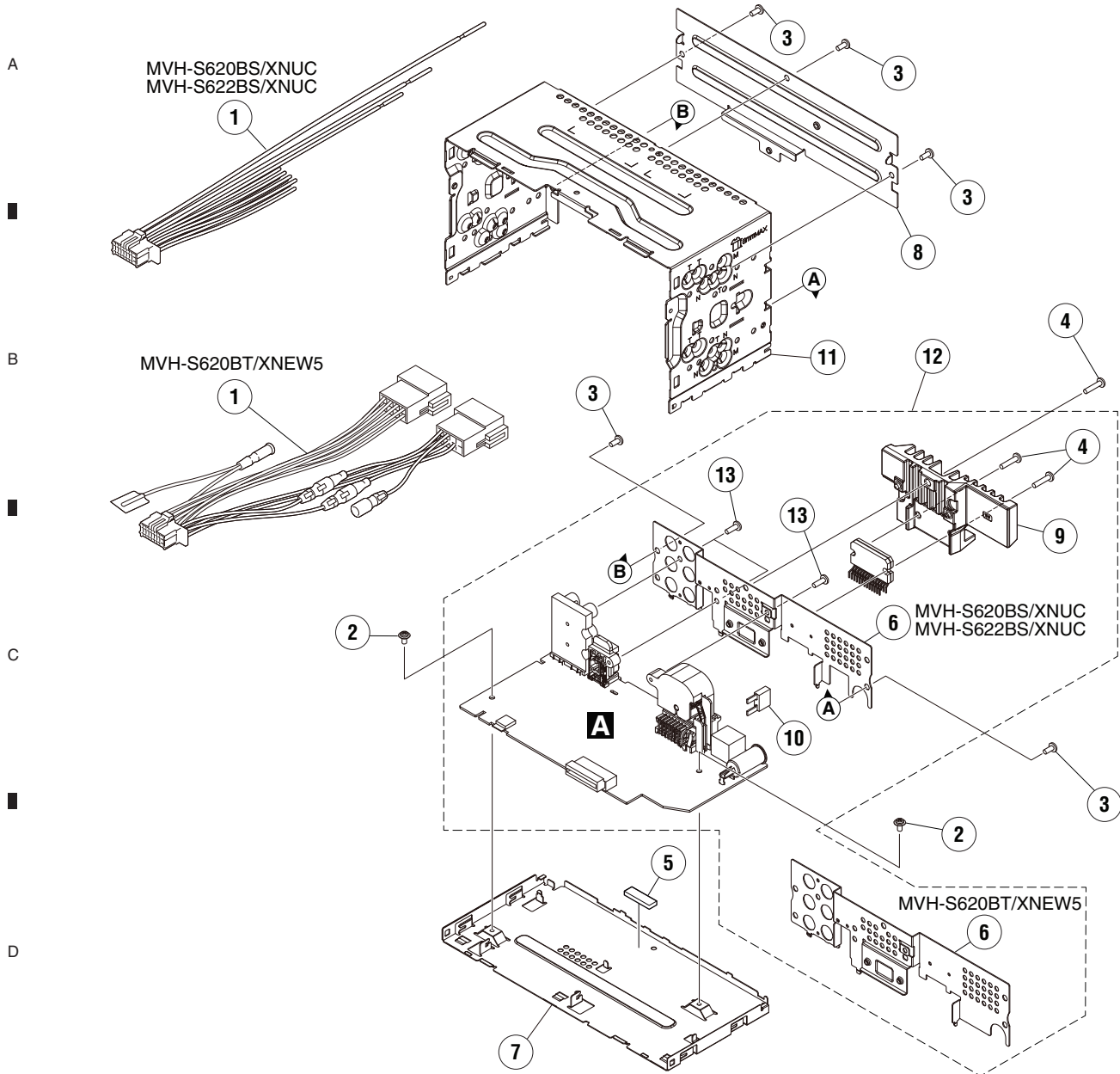
| <u>Mark No.</u> | <u>Description</u>       | <u>Part No.</u>        | <u>Mark No.</u> | <u>Description</u> | <u>Part No.</u>        |
|-----------------|--------------------------|------------------------|-----------------|--------------------|------------------------|
| 1               | Grille Assy              | See Contrast table (2) | 14              | Knob Unit          | QXA6129                |
| 2               | Grille Unit              | See Contrast table (2) | 15              | Button(1-3)        | QAC3332                |
| *               | 3                        | Grille                 |                 |                    |                        |
|                 |                          | QNS4444                |                 |                    |                        |
| *               | 4                        | Plate                  | 16              | Button(4-6)        | QAC3333                |
|                 |                          | QNS4448                | 17              | Button(BASS)       | QAC3334                |
| *               | 5                        | DS Tape                | 18              | Button(NAVI)       | QAC3335                |
|                 |                          | QNM3275                | 19              | Panel              | See Contrast table (2) |
| 6               | Lighting Conductor       | QNV3164                | 20              | Holder             | See Contrast table (2) |
| *               | 7                        | Holder                 |                 |                    |                        |
|                 |                          | QNV3163                |                 |                    |                        |
| 8               | Segment LCD (V1801)      | CAW2068                | 21              | Screw              | BPZ20P100FTC           |
| *               | 9                        | Button(RESET)          | 22              | Keyboard Unit      | QWM5375                |
|                 |                          | QAC3336                | 23              | Lighting Conductor | QNV3123                |
| *               | 10                       | Button(SRC/DISP)       | 24              | Rubber Connector   | QNV3125                |
|                 |                          | QAC3330                | 25              | Holder             | QNC3121                |
| 11              | Button(TRACK,BACK,PHONE) | QAC3331                |                 |                    |                        |
| *               | 12                       | Cushion                |                 |                    |                        |
|                 |                          | QNM3277                |                 |                    |                        |
| 13              | Door                     | QAT3039                |                 |                    |                        |

**(2) CONTRAST TABLE**

MVH-S620BS/XNUC, MVH-S622BS/XNUC and MVH-S620BT/XNEW5 are constructed the same except for the following:

| Mark | No. | Symbol and Description | MVH-S620BS/XNUC | MVH-S622BS/XNUC | MVH-S620BT/XNEW5 |
|------|-----|------------------------|-----------------|-----------------|------------------|
|      | 1   | Grille Assy            | QXA6360         | QXA6365         | QXA6359          |
|      | 2   | Grille Unit            | QXA6120         | QXA6125         | QXA6119          |
|      | 19  | Panel                  | Not used        | Not used        | QNS4449          |
|      | 20  | Holder                 | Not used        | Not used        | QNC3167          |

### 9.3 EXTERIOR (2) SECTION



#### (1) EXTERIOR (2) SECTION PARTS LIST

| Mark No. | Description     | Part No.               | Mark No. | Description    | Part No.               |
|----------|-----------------|------------------------|----------|----------------|------------------------|
| 1        | Cord Assy       | See Contrast table (2) | 8        | Holder         | QNC3162                |
| 2        | Screw           | ASZ26P050FTC           | 9        | Heat Sink      | QNR3010                |
| 3        | Screw           | BSZ26P060FTC           | ⚠ 10     | Fuse(10 A)     | CEK1415                |
| 4        | Screw           | BSZ26P120FTC           | 11       | Chassis        | QNA3038                |
| 5        | Heat Cond Sheet | QNM3130                | 12       | Tuner Amp Unit | See Contrast table (2) |
| 6        | Holder          | See Contrast table (2) | 13       | Screw          | BPZ26P080FTC           |
| 7        | Case            | QNB3054                |          |                |                        |

#### (2) CONTRAST TABLE

MVH-S620BS/XNUC, MVH-S622BS/XNUC and MVH-S620BT/XNEW5 are constructed the same except for the following:

| Mark | No. | Symbol and Description | MVH-S620BS/XNUC | MVH-S622BS/XNUC | MVH-S620BT/XNEW5 |
|------|-----|------------------------|-----------------|-----------------|------------------|
|      | 1   | Cord Assy              | CDP1484         | CDP1484         | QDP3072          |
|      | 6   | Holder                 | QNC3159         | QNC3159         | QNC3158          |
|      | 12  | Tuner Amp Unit         | QWM5331         | QWM5332         | QWM5330          |

# 12. ELECTRICAL PARTS LIST

## NOTE:

- Parts whose parts numbers are omitted are subject to being not supplied.
- The part numbers shown below indicate chip components.

### Chip Resistor

RS1/○S○○○○J,RS1/○○S○○○○J

### Chip Capacitor (except for CQS.....)

CKS....., CCS....., CSZS.....

- Parts marked by " \* " are generally unavailable because they are not in our Master Spare Parts List.
- The ⚠ mark found on some component parts indicates the importance of the safety factor of the part. Therefore, when replacing, be sure to use parts of identical designation.
- The expression of the unit in this manual is shown by u instead of  $\mu$ . Please do not make a mistake.

| <u>Circuit Symbol and No.</u>     | <u>Part No.</u>              | <u>Circuit Symbol and No.</u> | <u>Part No.</u>                        |
|-----------------------------------|------------------------------|-------------------------------|--|
| <b>A: MVH-S620BS/XNUC</b>         |                              | Q 121                         | Resistor Built-in Transistor LTC014EEB |
| <b>B: MVH-S622BS/XNUC</b>         |                              | Q 141                         | Resistor Built-in Transistor LTC014TEB |
| <b>C: MVH-S620BT/XNEW5</b>        |                              | Q 251                         | Transistor 2SAR502UB                   |
| <b>Unit Number: QWM5331(A)</b>    |                              | Q 252                         | Resistor Built-in Transistor LTC043EEB |
| <b>Unit Number: QWM5332(B)</b>    |                              | Q 261                         | Transistor TTC016                      |
| <b>Unit Name : Tuner Amp Unit</b> |                              | Q 262                         | Transistor EMD52                       |
| <b>Unit Number: QWM5330(C)</b>    |                              | Q 271                         | Transistor 2SAR502UB                   |
| <b>Unit Name : Tuner Amp Unit</b> |                              | Q 272                         | Resistor Built-in Transistor LTC023YEB |
| <b>Unit Number: QWM5375</b>       |                              | Q 281                         | Transistor TTC016                      |
| <b>Unit Name : Keyboard Unit</b>  |                              | Q 282                         | Transistor EMD52                       |
|                                   |                              | Q 701                         | Resistor Built-in Transistor LTA023YEB |
|                                   |                              | Q 1101                        | Transistor EMD52                       |
|                                   |                              | Q 1102                        | Bipolar Transistor LSAR523UB           |
|                                   |                              | Q 1241                        | Transistor IMH23                       |
|                                   |                              | Q 1242                        | Transistor IMH23                       |
|                                   |                              | Q 1243                        | Transistor IMH23                       |
|                                   |                              | D 101                         | Diode D1F60-5053                       |
|                                   |                              | D 102                         | Diode D1F60-5053                       |
|                                   |                              | D 111                         | Zener Diode UDZV6R8(B)                 |
|                                   |                              | D 121                         | Switching Diode 1SS355VM               |
|                                   |                              | D 141                         | Zener Diode UDZV7R5(B)                 |
|                                   |                              | D 201                         | Rectifier Diode RR1VWM4STF             |
|                                   |                              | D 202                         | Zener Diode UDZV5R6(B)                 |
|                                   |                              | D 221                         | Schottky Diode RB751SM-40              |
|                                   |                              | D 222                         | Schottky Diode RB056LAM-40TF           |
|                                   |                              | D 261                         | Zener Diode UDZV6R2(B)                 |
|                                   |                              | D 281                         | Zener Diode UDZV9R1(B)                 |
|                                   |                              | D 291                         | Schottky Diode(B) RB551VM-30           |
|                                   |                              | D 301                         | Schottky Diode RB060MM-30TF            |
|                                   |                              | D 501                         | Schottky Diode RB751SM-40              |
|                                   |                              | D 502                         | Schottky Diode RB751SM-40              |
|                                   |                              | D 513                         | Zener Diode UDZV5R1(B)                 |
|                                   |                              | D 851                         | Zener Diode RSB6R8SM                   |
|                                   |                              | D 852                         | Zener Diode RSB6R8SM                   |
|                                   |                              | D 1101                        | Rectifier Diode RR1VWM4STF             |
|                                   |                              | D 1102                        | Rectifier Diode RR1VWM4STF             |
|                                   |                              | D 1103                        | Schottky Diode RB751SM-40              |
|                                   |                              | D 1201                        | Zener Diode RSB6R8SM                   |
|                                   |                              | D 1204                        | Zener Diode UDZV18(B)                  |
|                                   |                              | D 1205                        | Zener Diode UDZV18(B)                  |
|                                   |                              | D 1206                        | Zener Diode RSB6R8SM                   |
|                                   |                              | D 1207                        | Zener Diode RSB6R8SM                   |
|                                   |                              | D 1208                        | Zener Diode RSB6R8SM                   |
| IC 201                            | Regulator IC                 | NJW4104U2-33A                 |  |
| IC 211                            | Regulator IC                 | MM3479A33P                    |  |
| IC 216                            | Regulator IC                 | MM3479A12P                    |  |
| IC 221                            | DC/DC Converter IC           | KBD9876EFJ                    |  |
| IC 241                            | Regulator IC                 | MM3571A33P                    |  |
| IC 291                            | DC/DC Converter IC(B)        | NJW4132U2-A                   |  |
| IC 301                            | DC/DC Converter IC           | MM3630BR                      |  |
| IC 501                            | Microprocessor IC            | STA1080                       |  |
| IC 502                            | IC                           | S-80827CNMC-B8M               |  |
| IC 503                            | Logic IC                     | TC7SET08FUS3                  |  |
| IC 504                            | Logic IC                     | TC7SH126FUS1                  |  |
| IC 701                            | IC                           | 337S3959                      |  |
| IC 711                            | RAM IC                       | W9812G6KH-5                   |  |
| IC 731                            | ROM IC                       | M95512-RMN6P                  |  |
| IC 741                            | Flash ROM Unit               | QVQ1109                       |  |
| IC 742                            | Flash Memory IC              | W25Q16JVSSIQ                  |  |
| IC 761                            | E-VOL System LSI(A)          | BD37067FV                     |  |
| IC 761                            | E-VOL System LSI(B)          | BD37068FV                     |  |
| IC 851                            | Tuner IC                     | TEF6686AHN                    |  |
| IC 1101                           | Power Amp IC                 | PAL014A                       |  |
| IC 1102                           | Logic IC                     | TC7SH32FUS2                   |  |
| Q 111                             | Resistor Built-in Transistor | LTC014TEB                     |  |

## MISCELLANEOUS

Circuit Symbol and No.Part No.Circuit Symbol and No.Part No.

|        |                   |          |       |     |                |
|--------|-------------------|----------|-------|-----|----------------|
| D 1209 | Zener Diode       | RSB6R8SM | R 294 | (B) | XRS1/16SS4701D |
| D 1210 | Zener Diode       | RSB6R8SM | R 295 | (B) | XRS1/16SS4303D |
| L 101  | Choke Coil 120 uH | CTH1620  | R 296 | (B) | XRS1/10SR102J  |
| L 221  | SMD SPL Inductor  | CTH1584  | R 304 |     | XRS1/16SS273J  |
| L 271  | Inductor          | CTF1736  | R 305 |     | XRS1/16SS3001D |

|       |                     |         |       |           |                |
|-------|---------------------|---------|-------|-----------|----------------|
| L 291 | SMD SPL Inductor(B) | CTH1674 | R 306 |           | XRS1/16SS1602D |
| L 301 | SMD SPL Inductor    | CTH1584 | R 308 |           | XRS1/16SS5600D |
| L 502 | Inductor            | CTF1645 | R 309 |           | XRS1/16SS473J  |
| L 557 | Chip Beads          | VTL1133 | R 310 |           | XRS1/16SS304J  |
| L 711 | Chip Beads          | VTL1133 | R 311 | 0.030 ohm | CCN1322        |

|       |          |              |       |     |               |
|-------|----------|--------------|-------|-----|---------------|
| L 854 | Inductor | LCMAR27J1608 | R 314 |     | RS1/8SQ331J   |
| L 855 | Inductor | CTF1786      | R 316 |     | XRS1/16SS560J |
| L 856 | Inductor | CTF1787      | R 433 |     | XRS1/16SS0R0J |
| L 860 | Inductor | LCYC150K1608 | R 434 |     | XRS1/16SS0R0J |
| L 870 | Inductor | LCMAR22J1608 | R 501 | (B) | XRS1/16SS222J |

|        |                                 |         |       |  |               |
|--------|---------------------------------|---------|-------|--|---------------|
| L 951  | Chip Ferrite Bead               | DTL1107 | R 502 |  | XRS1/16SS0R0J |
| L 1201 | Noise Filter                    | CTF1901 | R 503 |  | XRS1/16SS221J |
| X 501  | Resonator 24 MHz                | CSS1773 | R 506 |  | XRS1/16SS473J |
| X 502  | Resonator 32.768 kHz            | CSS1807 | R 507 |  | XRS1/16SS473J |
| X 851  | Crystal Resonator 55.466 67 MHz | CSS1898 | R 508 |  | XRS1/16SS473J |

|         |                |                    |       |  |               |
|---------|----------------|--------------------|-------|--|---------------|
| P 852   | Surge Absorber | IMSA-6803-01Y900   | R 509 |  | XRS1/16SS473J |
| P 1231  | Poly Switch    | FSMD110-24R        | R 510 |  | XRS1/16SS473J |
| P 1243  | Poly Switch    | FSMD075-24R        | R 511 |  | XRS1/16SS473J |
| VA 1201 | SMD Varistor   | MLV0402ES012V0010N | R 512 |  | XRS1/16SS0R0J |
| VA 1202 | SMD Varistor   | MLV0402ES012V0010N | R 513 |  | XRS1/16SS222J |

|        |              |         |       |  |               |
|--------|--------------|---------|-------|--|---------------|
| U 951  | BT Module    | CWX4751 | R 514 |  | XRS1/16SS101J |
| CN1201 | Connector    | CKS6452 | R 515 |  | XRS1/16SS103J |
| JA101  | Plug         | CKM1624 | R 516 |  | XRS1/16SS101J |
| JA851  | Antenna Jack | CKX1104 | R 517 |  | XRS1/16SS103J |
| JA1231 | Connector    | CKS3806 | R 518 |  | XRS1/16SS472J |

|        |      |         |       |  |                |
|--------|------|---------|-------|--|----------------|
| JA1241 | Jack | CKB1113 | R 519 |  | XRS1/16SS151J  |
| JA1276 | Jack | CKN1103 | R 520 |  | XRS1/16SS101J  |
|        |      |         | R 521 |  | XRS1/16SS473J  |
|        |      |         | R 522 |  | XRS1/16SS471J  |
|        |      |         | R 524 |  | XRS1/16SS3001D |

**RESISTORS**

|       |  |               |       |  |                |
|-------|--|---------------|-------|--|----------------|
| R 111 |  | XRS1/16SS223J |       |  |                |
| R 112 |  | XRS1/16SS473J | R 525 |  | XRS1/16SS103J  |
| R 113 |  | XRS1/16SS822J | R 526 |  | XRS1/16SS1213F |
| R 114 |  | RS1/4SA102J   | R 527 |  | XRS1/16SS101J  |
| R 121 |  | XRS1/16SS103J | R 528 |  | XRS1/16SS222J  |
|       |  |               | R 529 |  | XRS1/16SS3R3J  |

|       |  |               |       |  |               |
|-------|--|---------------|-------|--|---------------|
| R 123 |  | RS1/4SA102J   |       |  |               |
| R 141 |  | XRS1/16SS104J | R 530 |  | XRS1/16SS3R3J |
| R 142 |  | XRS1/16SS473J | R 531 |  | XRS1/16SS222J |
| R 201 |  | XRS1/10SR104J | R 532 |  | XRS1/16SS222J |
| R 202 |  | XRS1/16SS102J | R 533 |  | XRS1/10SR103J |
|       |  |               | R 534 |  | XRS1/10SR103J |

|       |  |                |       |     |               |
|-------|--|----------------|-------|-----|---------------|
| R 223 |  | XRS1/16SS472J  |       |     |               |
| R 225 |  | XRS1/16SS2203D | R 536 |     | XRS1/16SS472J |
| R 226 |  | XRS1/16SS6802D | R 538 | (A) | XRS1/16SS103J |
| R 227 |  | XRS1/10SR471J  | R 538 | (B) | XRS1/16SS473J |
| R 228 |  | XRS1/10SR103J  | R 539 | (A) | XRS1/16SS473J |
|       |  |                | R 539 | (B) | XRS1/16SS103J |

|       |  |               |       |  |               |
|-------|--|---------------|-------|--|---------------|
| R 230 |  | XRS1/10SR224J |       |  |               |
| R 251 |  | XRS1/16SS472J | R 540 |  | XRS1/16SS222J |
| R 252 |  | XRS1/16SS473J | R 541 |  | XRS1/16SS472J |
| R 255 |  | XRS1/10SR0R0J | R 542 |  | XRS1/10SR472J |
| R 261 |  | XRS1/10SR123J | R 546 |  | XRS1/16SS273J |
|       |  |               | R 547 |  | XRS1/16SS473J |

|       |     |                |       |  |               |
|-------|-----|----------------|-------|--|---------------|
| R 262 |     | XRS1/16SS472J  |       |  |               |
| R 271 |     | XRS1/16SS103J  | R 548 |  | XRS1/16SS102J |
| R 272 |     | XRS1/10SR221J  | R 550 |  | XRS1/16SS273J |
| R 281 |     | XRS1/10SR152J  | R 551 |  | XRS1/16SS103J |
| R 293 | (B) | XRS1/16SS2202D | R 552 |  | XRS1/16SS0R0J |

| <u>Circuit Symbol and No.</u> | <u>Part No.</u> | <u>Circuit Symbol and No.</u> | <u>Part No.</u> |
|-------------------------------|-----------------|-------------------------------|-----------------|
| R 554                         | XRS1/16SS222J   | R 648                         | XRS1/16SS102J   |
| R 555                         | XRS1/16SS135J   | R 651                         | XRS1/16SS102J   |
| R 556                         | XRS1/16SS102J   | R 652                         | XRS1/16SS473J   |
| R 558                         | XRS1/16SS102J   | R 657                         | XRS1/16SS101J   |
| R 560                         | XRS1/16SS473J   | R 658                         | XRS1/16SS101J   |
| R 561                         | XRS1/16SS103J   | R 659                         | XRS1/16SS101J   |
| R 562                         | XRS1/16SS0R0J   | R 660                         | XRS1/16SS101J   |
| R 564                         | XRS1/16SS472J   | R 661                         | XRS1/16SS101J   |
| R 565                         | XRS1/16SS0R0J   | R 663                         | XRS1/16SS101J   |
| R 566                         | RAB4CQ103J      | R 664                         | XRS1/16SS101J   |
| R 570                         | XRS1/16SS221J   | R 672                         | XRS1/16SS101J   |
| R 571                         | XRS1/16SS221J   | R 676                         | XRS1/16SS472J   |
| R 572                         | XRS1/16SS102J   | R 677                         | XRS1/16SS472J   |
| R 573                         | XRS1/16SS473J   | R 678                         | XRS1/16SS472J   |
| R 574                         | XRS1/16SS473J   | R 681                         | XRS1/16SS472J   |
| R 575                         | XRS1/16SS473J   | R 701                         | XRS1/16SS103J   |
| R 576                         | XRS1/16SS0R0J   | R 702                         | XRS1/16SS152J   |
| R 577                         | XRS1/16SS330J   | R 703                         | XRS1/16SS101J   |
| R 578                         | XRS1/16SS473J   | R 704                         | XRS1/16SS0R0J   |
| R 579                         | XRS1/16SS473J   | R 705                         | XRS1/16SS222J   |
| R 580                         | XRS1/16SS473J   | R 706                         | XRS1/16SS222J   |
| R 584                         | XRS1/16SS102J   | R 707                         | XRS1/16SS472J   |
| R 586                         | XRS1/16SS103J   | R 708                         | XRS1/16SS272J   |
| R 587                         | XRS1/16SS0R0J   | R 709                         | XRS1/16SS473J   |
| R 591                         | XRS1/16SS221J   | R 710                         | XRS1/16SS0R0J   |
| R 592                         | XRS1/16SS101J   | R 714                         | RAB4CQ121J      |
| R 597                         | XRS1/16SS473J   | R 715                         | RAB4CQ121J      |
| R 599                         | XRS1/16SS102J   | R 716                         | RAB4CQ121J      |
| R 601                         | XRS1/16SS101J   | R 717                         | RAB4CQ121J      |
| R 602                         | XRS1/16SS101J   | R 718                         | RAB4CQ121J      |
| R 603                         | XRS1/16SS101J   | R 719                         | RAB4CQ121J      |
| R 604                         | XRS1/16SS101J   | R 720                         | RAB4CQ121J      |
| R 605                         | XRS1/16SS101J   | R 721                         | RAB4CQ121J      |
| R 610                         | XRS1/16SS222J   | R 722                         | RAB4CQ121J      |
| R 611                         | XRS1/16SS472J   | R 724                         | XRS1/16SS121J   |
| R 612                         | XRS1/16SS473J   | R 731                         | XRS1/16SS330J   |
| R 614                         | XRS1/16SS473J   | R 732                         | XRS1/16SS330J   |
| R 615                         | XRS1/16SS103J   | R 733                         | XRS1/16SS103J   |
| R 616                         | XRS1/10SR472J   | R 734                         | XRS1/16SS103J   |
| R 617                         | XRS1/16SS473J   | R 735                         | XRS1/16SS103J   |
| R 621                         | XRS1/16SS0R0J   | R 736                         | XRS1/16SS330J   |
| R 627                         | XRS1/16SS153J   | R 737                         | XRS1/16SS330J   |
| R 628                         | XRS1/16SS153J   | R 741                         | XRS1/16SS330J   |
| R 629                         | XRS1/16SS472J   | R 742                         | XRS1/16SS103J   |
| R 630                         | XRS1/16SS473J   | R 743                         | XRS1/16SS103J   |
| R 631                         | XRS1/16SS0R0J   | R 744                         | XRS1/16SS330J   |
| R 632                         | XRS1/16SS473J   | R 745                         | XRS1/16SS330J   |
| R 633                         | XRS1/16SS472J   | R 746                         | XRS1/16SS103J   |
| R 634                         | XRS1/16SS473J   | R 747                         | XRS1/16SS330J   |
| R 635                         | XRS1/16SS473J   | R 748                         | XRS1/16SS330J   |
| R 636                         | XRS1/16SS473J   | R 749                         | XRS1/16SS330J   |
| R 637                         | XRS1/16SS221J   | R 750                         | XRS1/16SS103J   |
| R 638                         | XRS1/16SS221J   | R 751                         | XRS1/16SS103J   |
| R 639                         | XRS1/16SS101J   | R 753                         | XRS1/16SS103J   |
| R 642                         | XRS1/16SS221J   | R 761                         | XRS1/10SR221J   |
| R 643                         | XRS1/16SS101J   | R 762 (B)                     | XRS1/16SS0R0J   |
| R 644                         | XRS1/16SS473J   | R 763                         | XRS1/16SS101J   |
| R 645                         | XRS1/16SS101J   | R 764 (B)                     | XRS1/16SS101J   |
| R 647                         | XRS1/16SS102J   | R 765 (B)                     | XRS1/16SS222J   |

Circuit Symbol and No.Part No.Circuit Symbol and No.Part No.

R 766 (A) XRS1/16SS0R0J  
 R 767 XRS1/16SS104J  
 R 768 XRS1/16SS181J

R 1236 XRS1/16SS181J  
 R 1237 XRS1/16SS822J  
 R 1238 XRS1/16SS471J  
 R 1239 XRS1/16SS104J

R 851 XRS1/16SS105J  
 R 852 XRS1/16SS105J  
 R 853 XRS1/16SS391J  
 R 863 XRS1/16SS103J  
 R 868 XRS1/16SS103J

R 1241 (A) XRS1/16SS821J  
 R 1241 (B) XRS1/16SS470J  
 R 1242 (A) XRS1/16SS821J  
 R 1242 (B) XRS1/16SS470J  
 R 1243 (A) XRS1/16SS821J

R 870 XRS1/16SS101J  
 R 873 XRS1/16SS472J  
 R 874 XRS1/16SS101J  
 R 875 XRS1/16SS472J  
 R 890 XRS1/16SS0R0J

R 1243 (B) XRS1/16SS470J  
 R 1244 (A) XRS1/16SS821J  
 R 1244 (B) XRS1/16SS470J  
 R 1245 (A) XRS1/16SS821J  
 R 1245 (B) XRS1/16SS470J

R 952 XRS1/16SS221J  
 R 953 XRS1/16SS473J  
 R 954 XRS1/16SS221J  
 R 958 XRS1/16SS221J  
 R 960 XRS1/16SS473J

R 1246 (A) XRS1/16SS821J  
 R 1246 (B) XRS1/16SS470J  
 R 1247 XRS1/16SS223J  
 R 1248 XRS1/16SS223J  
 R 1249 XRS1/16SS223J

R 961 XRS1/16SS473J  
 R 1101 XRS1/16SS123J  
 R 1102 XRS1/16SS103J  
 R 1103 XRS1/16SS221J  
 R 1106 XRS1/16SS103J

R 1250 XRS1/16SS223J  
 R 1251 XRS1/16SS223J  
 R 1252 XRS1/16SS223J  
 R 1253 XRS1/16SS0R0J  
 R 1255 XRS1/16SS0R0J

R 1107 XRS1/16SS0R0J  
 R 1109 (A) XRS1/16SS0R0J  
 R 1109 (B) XRS1/16SS432J  
 R 1110 (A) XRS1/16SS0R0J  
 R 1110 (B) XRS1/16SS432J

R 1260 XRS1/16SS0R0J  
 R 1261 XRS1/16SS0R0J  
 R 1262 XRS1/16SS0R0J  
 R 1263 XRS1/16SS0R0J  
 R 1264 XRS1/16SS0R0J

R 1111 (A) XRS1/16SS0R0J  
 R 1111 (B) XRS1/16SS432J  
 R 1112 (A) XRS1/16SS0R0J  
 R 1112 (B) XRS1/16SS432J  
 R 1113 (B) XRS1/16SS272J

R 1265 XRS1/16SS0R0J  
 R 1278 XRS1/16SS102J  
 R 1280 XRS1/16SS102J  
 R 1281 XRS1/16SS101J  
 R 1282 XRS1/16SS101J

R 1114 (B) XRS1/16SS272J  
 R 1115 (B) XRS1/16SS272J  
 R 1116 (B) XRS1/16SS272J  
 R 1122 XRS1/16SS103J  
 R 1123 XRS1/16SS102J

CAPACITORS

R 1203 XRS1/16SS223J  
 R 1204 XRS1/16SS223J  
 R 1205 XRS1/10SR222J  
 R 1206 XRS1/10SR221J  
 R 1207 XRS1/10SR221J

C 101 CEHAT222M16  
 C 102 CKSRYB103K50  
 C 111 CKSRYX104K50  
 C 122 CKSRYX105K50  
 C 201 CEHAT332M16

R 1208 XRS1/10SR0R0J  
 R 1209 XRS1/10SR222J  
 R 1210 XRS1/10SR222J  
 R 1211 XRS1/10SR222J  
 R 1212 XRS1/10SR222J

C 202 CKSRYX104K50  
 C 203 CKSSYB104K10  
 C 204 CKSQYX106K10  
 C 205 CKSYX106K35  
 C 211 CKSRYX105K16

R 1213 XRS1/16SS123J  
 R 1214 XRS1/10SR222J  
 R 1215 XRS1/10SR101J  
 R 1217 XRS1/16SS0R0J  
 R 1221 RS1/4SA0R0J

C 212 CKSRYX105K16  
 C 213 CKSSYB104K10  
 C 216 CKSRYX105K16  
 C 217 CKSRYX105K16  
 C 218 CKSSYB104K10

R 1223 RS1/4SA0R0J  
 R 1231 XRS1/16SS181J  
 R 1232 XRS1/16SS181J  
 R 1233 XRS1/16SS223J  
 R 1234 XRS1/16SS223J

C 221 CKSYX106K35  
 C 222 CKSRYX105K50  
 C 223 CKSRYX104K50  
 C 224 CKSRYB103K50  
 C 226 CKSSYB102K50

R 1235 XRS1/16SS181J

C 227 CKSRYX475K6R3  
 C 228 CKSRYX105K16  
 C 229 CKSSYX105K10  
 C 230 CEHVW221M16

| <u>Circuit Symbol and No.</u> |               | <u>Part No.</u> | <u>Circuit Symbol and No.</u> |     | <u>Part No.</u> |
|-------------------------------|---------------|-----------------|-------------------------------|-----|-----------------|
| C 241                         |               | CKSRYB474K16    | C 531                         |     | CKSSYX105K10    |
|                               |               |                 | C 532                         |     | CKSSYX105K10    |
| C 242                         |               | CKSRYB474K16    |                               |     |                 |
| C 244                         |               | CCSSCH470J50    | C 533                         |     | CKSRYX475K6R3   |
| C 251                         |               | CKSRYX105K50    | C 534                         |     | CKSSYB104K10    |
| C 252                         |               | CKSRYX104K50    | C 535                         |     | CEHVW221M16     |
| C 261                         |               | CKSSYB104K10    | C 536                         |     | CCSSCH101J50    |
|                               |               |                 | C 537                         |     | CKSSYB103K16    |
| C 262                         |               | CKSRYX105K16    |                               |     |                 |
| C 263                         |               | CKSSYB104K10    | C 538                         |     | CKSRYX106M6R3   |
| C 272                         |               | CKSRYX106M6R3   | C 539                         |     | CKSSYB103K16    |
| C 274                         |               | CKSRYX106M6R3   | C 540                         |     | CKSRYX106M6R3   |
| C 281                         |               | CKSRYX105K16    | C 541                         |     | CKSSYB222K50    |
|                               |               |                 | C 542                         |     | CKSSYB104K10    |
| C 282                         |               | CKSSYB104K16    |                               |     |                 |
| C 283                         |               | CKSSYB104K16    | C 543                         |     | CKSSYX105K10    |
| C 291                         | 10 uF/35 V(B) | CCG1236         | C 544                         |     | CKSSYB473K16    |
| C 292                         | 10 uF/35 V(B) | CCG1236         | C 545                         |     | CCSSCH100D50    |
| C 293                         | (B)           | CKSQYX106K16    | C 546                         |     | CCSSCH120J50    |
|                               |               |                 | C 551                         |     | CKSSYB104K10    |
| C 294                         | (B)           | CCSSCH150J50    |                               |     |                 |
| C 295                         | (B)           | CKSRYX105K50    | C 552                         |     | CKSRYX475K6R3   |
| C 299                         | (B)           | CKSSYB103K25    | C 553                         |     | CKSRYX106M6R3   |
| C 301                         |               | CKSSYB153K16    | C 555                         |     | CKSSYB103K16    |
| C 302                         |               | CKSSYB222K50    | C 556                         |     | CKSSYB104K10    |
|                               |               |                 | C 557                         |     | CKSSYB104K10    |
| C 304                         |               | CKSSYB221K50    |                               |     |                 |
| C 305                         |               | CKSSYX105K10    | C 558                         |     | CKSSYB104K10    |
| C 306                         |               | CKSRYX104K50    | C 559                         |     | CKSQYB224K50    |
| C 307                         |               | CKSYX226M16     | C 560                         |     | CKSSYB103K16    |
| C 308                         |               | CKSRYX225K10    | C 565                         |     | CCSSCH330J50    |
|                               |               |                 | C 566                         |     | CCSSCH330J50    |
| C 309                         |               | CEHVW470M16     |                               |     |                 |
| C 310                         |               | CKSRYB224K16    | C 571                         |     | CCSSCH330J50    |
| C 311                         | 10 uF/35 V    | CCG1236         | C 572                         |     | CCSSCH330J50    |
| C 312                         |               | CEHVW470M16     | C 575                         |     | CKSSYB104K10    |
| C 314                         |               | CKSRYX225K10    | C 580                         |     | CKSRYX104K50    |
|                               |               |                 | C 586                         |     | CKSSYB102K50    |
| C 318                         |               | CCSSCH470J50    |                               |     |                 |
| C 320                         |               | CKSRYX475K10    | C 588                         |     | CKSSYB104K10    |
| C 502                         |               | CKSSYB104K10    | C 590                         | (A) | CKSSYB472K50    |
| C 503                         |               | CKSRYX475K6R3   | C 590                         | (B) | CKSSYB332K50    |
| C 505                         |               | CKSSYB104K10    | C 591                         | (A) | CKSSYB472K50    |
|                               |               |                 | C 591                         | (B) | CKSSYB332K50    |
| C 506                         |               | CKSRYX475K6R3   |                               |     |                 |
| C 507                         |               | CKSRYX475K6R3   | C 592                         | (A) | CKSSYB472K50    |
| C 508                         |               | CKSSYB104K10    | C 592                         | (B) | CKSSYB332K50    |
| C 509                         |               | CKSRYX475K6R3   | C 593                         | (A) | CKSSYB472K50    |
| C 510                         |               | CKSSYB104K10    | C 593                         | (B) | CKSSYB332K50    |
|                               |               |                 | C 595                         | (A) | CKSSYB472K50    |
| C 511                         |               | CKSRYX475K6R3   |                               |     |                 |
| C 512                         |               | CKSSYB104K10    | C 595                         | (B) | CKSSYB332K50    |
| C 513                         |               | CKSRYX475K6R3   | C 701                         |     | CKSSYB104K10    |
| C 514                         |               | CKSSYB104K10    | C 702                         |     | CKSSYB104K10    |
| C 517                         |               | CKSSYB104K10    | C 711                         |     | CKSRYX475K6R3   |
|                               |               |                 | C 712                         |     | CKSSYX105K10    |
| C 518                         |               | CCSSCH100D50    |                               |     |                 |
| C 519                         |               | CCSSCH100D50    | C 713                         |     | CKSSYB104K10    |
| C 520                         |               | CKSRYX475K6R3   | C 714                         |     | CKSSYX105K10    |
| C 521                         |               | CKSSYB104K10    | C 715                         |     | CKSSYX105K10    |
| C 522                         |               | CKSRYX475K6R3   | C 716                         |     | CKSSYX105K10    |
|                               |               |                 | C 718                         |     | CKSSYB104K10    |
| C 523                         |               | CKSRYX475K6R3   |                               |     |                 |
| C 524                         |               | CKSRYX475K6R3   | C 719                         |     | CKSSYB104K10    |
| C 525                         |               | CKSRYX106M6R3   | C 722                         |     | CKSSYB104K10    |
| C 526                         |               | CKSSYB103K16    | C 731                         |     | CKSSYB104K10    |
| C 527                         |               | CKSRYX106M6R3   | C 741                         |     | CKSRYX225K10    |
|                               |               |                 | C 742                         |     | CKSSYB104K10    |
| C 528                         |               | CKSSYB103K16    |                               |     |                 |
| C 529                         |               | CKSSYB104K10    | C 743                         |     | CKSSYB104K10    |
| C 530                         |               | CKSRYX475K6R3   | C 744                         |     | CKSSYB103K16    |

Circuit Symbol and No.Part No.Circuit Symbol and No.Part No.

C 761 CKSRYX105K16  
 C 762 CKSRYX105K16  
 C 763 CKSRYX105K16

C 1203  
 C 1204  
 C 1205  
 C 1206

CKSRYX104K50  
 CKSRYX105K16  
 CCSRCH221J50  
 CCSRCH221J50

C 764 CKSRYX105K16  
 C 765 CKSRYX105K16  
 C 766 CKSRYX105K16  
 C 769 CKSRYX105K16  
 C 770 CKSRYX105K16

C 1210  
 C 1217  
 C 1231  
 C 1232  
 C 1241 (A)

CKSRYX105K16  
 CCSSCH121J50  
 CKSRYX104K50  
 CKSRYX104K50  
 CKSQYX106K10

C 771 CKSRYX105K16  
 C 772 CKSRYX105K16  
 C 773 CKSRYX105K16  
 C 774 CCSSCH151J50  
 C 775 CCSSCH151J50

C 1241 (B)  
 C 1242 (A)  
 C 1242 (B)  
 C 1243 (A)  
 C 1243 (B)

CKSQYX106K25  
 CKSQYX106K10  
 CKSQYX106K25  
 CKSQYX106K10  
 CKSQYX106K25

C 776 CKSRYX104K50  
 C 777 10 uF/35 V CCG1236  
 C 779 CKSQYX106K10  
 C 780 CKSRYX104K50  
 C 781 CKSRYX105K16

C 1244 (A)  
 C 1244 (B)  
 C 1245 (A)  
 C 1245 (B)  
 C 1246 (A)

CKSQYX106K10  
 CKSQYX106K25  
 CKSQYX106K10  
 CKSQYX106K25  
 CKSQYX106K10

C 782 CKSRYX105K16  
 C 783 CKSRYX105K16  
 C 784 CKSRYX105K16  
 C 785 CKSRYX105K16  
 C 787 CKSQYX106K16

C 1246 (B)  
 C 1247 (A)  
 C 1247 (B)  
 C 1248 (A)  
 C 1248 (B)

CKSQYX106K25  
 CCSSCH102J50  
 CKSSYB103K16  
 CCSSCH102J50  
 CKSSYB103K16

C 788 CKSQYX106K16  
 C 790 CKSRYX106M6R3  
 C 791 CKSSYB103K25  
 C 853 CCSSCH120J50  
 C 854 CCSSCH471J50

C 1249 (A)  
 C 1249 (B)  
 C 1250 (A)  
 C 1250 (B)  
 C 1251 (A)

CCSSCH102J50  
 CKSSYB103K16  
 CCSSCH102J50  
 CKSSYB103K16  
 CCSSCH102J50

C 858 CCSSCH5R0C50  
 C 859 CCSSCH120J50  
 C 866 CKSSYB224K6R3  
 C 867 CKSSYB102K50  
 C 870 CKSSYB102K50

C 1251 (B)  
 C 1252 (A)  
 C 1252 (B)  
 C 1276  
 C 1277

CKSSYB103K16  
 CCSSCH102J50  
 CKSSYB103K16  
 CKSSYB104K16  
 CKSSYB104K16

C 871 CKSSYB104K10  
 C 872 CKSSYB104K10  
 C 874 CCSSCH180J50  
 C 878 CKSSYB152K50  
 C 883 CKSRYX225K10

C 1278  
 C 1279  
 C 1280  
 C 1281  
 C 1284

CKSSYB104K16  
 CKSSYB104K16  
 CKSSYB102K50  
 CKSSYB102K50  
 CKSRYB474K10

C 891 CKSRYX225K10  
 C 892 CKSSYB104K10  
 C 893 CKSSYB104K10  
 C 894 CKSRYX475K6R3  
 C 895 CKSRYX105K16

**A****Unit Number: QWM5330(C)****Unit Name : Tuner Amp Unit**MISCELLANEOUS

C 953 CKSSYB104K16  
 C 954 CKSSYB104K16  
 C 1101 CKSQYB474K25  
 C 1102 CKSQYB474K25  
 C 1103 CKSQYB474K25

IC 201 Regulator IC  
 IC 211 Regulator IC  
 IC 216 Regulator IC  
 IC 221 DC/DC Converter IC  
 IC 241 Regulator IC

NJW4104U2-33A  
 MM3479A33P  
 MM3479A12P  
 KBD9876EFJ  
 MM3571A33P

C 1104 CKSQYB474K25  
 C 1106 CKSRYB474K10  
 C 1108 CKSRYX104K50  
 C 1110 CKSQYX106K16  
 C 1111 CKSRYX225K10

IC 301 DC/DC Converter IC  
 IC 401 IC  
 IC 421 Op-amp IC  
 IC 501 Microprocessor IC  
 IC 502 IC

MM3630BR  
 TC4066BFT  
 NJM8065RB1  
 STA1080  
 S-80827CNMC-B8M

C 1112 CKSRYX104K50  
 C 1118 CKSSYB104K10  
 C 1119 CKSRYX104K50  
 C 1120 CKSRYX104K50  
 C 1121 CKSRYX106M6R3

IC 701 IC  
 IC 711 RAM IC  
 IC 731 ROM IC  
 IC 741 Flash ROM Unit

337S3959  
 W9812G6KH-5  
 M95512-RMN6P  
 QVQ1108

C 1201 1 000 pF

CCG1345

| <u>Circuit Symbol and No.</u> |                              | <u>Part No.</u> | <u>Circuit Symbol and No.</u> |                                 | <u>Part No.</u>    |
|-------------------------------|------------------------------|-----------------|-------------------------------|---------------------------------|--------------------|
| IC 742                        | Flash Memory IC              | W25Q16JVSSIQ    | L 856                         | Inductor                        | CTF1787            |
|                               |                              |                 | L 860                         | Inductor                        | LCYC150K1608       |
| IC 761                        | E-VOL System LSI             | BD37067FV       |                               |                                 |                    |
| IC 851                        | Tuner IC                     | TEF6686AHN      | L 870                         | Inductor                        | LCMAR22J1608       |
| IC 1101                       | Power Amp IC                 | PAL014A         | L 951                         | Chip Ferrite Bead               | DTL1107            |
| IC 1102                       | Logic IC                     | TC7SH32FUS2     | L 1201                        | Noise Filter                    | CTF1901            |
| Q 111                         | Resistor Built-in Transistor | LTC014TEB       | X 501                         | Resonator 24 MHz                | CSS1773            |
|                               |                              |                 | X 502                         | Resonator 32.768 kHz            | CSS1807            |
| Q 121                         | Resistor Built-in Transistor | LTC014EEB       |                               |                                 |                    |
| Q 141                         | Resistor Built-in Transistor | LTC014TEB       | X 851                         | Crystal Resonator 55.466 67 MHz | CSS1898            |
| Q 251                         | Transistor                   | 2SAR502UB       | P 852                         | Surge Absorber                  | IMSA-6803-01Y900   |
| Q 252                         | Resistor Built-in Transistor | LTC043EEB       | P 1243                        | Poly Switch                     | FSMD075-24R        |
| Q 261                         | Transistor                   | TTC016          | VA 1201                       | SMD Varistor                    | MLV0402ES012V0010N |
|                               |                              |                 | VA 1202                       | SMD Varistor                    | MLV0402ES012V0010N |
| Q 262                         | Transistor                   | EMD52           |                               |                                 |                    |
| Q 271                         | Transistor                   | 2SAR502UB       | U 951                         | BT Module                       | CWX4751            |
| Q 272                         | Resistor Built-in Transistor | LTC023YEB       | CN1201                        | Connector                       | CKS6452            |
| Q 281                         | Transistor                   | TTC016          | JA 101                        | Plug                            | CKM1624            |
| Q 282                         | Transistor                   | EMD52           | JA851                         | Antenna Jack                    | CKX1104            |
|                               |                              |                 | JA 1241                       | Jack                            | CKB1113            |
| Q 401                         | Transistor                   | EMD52           |                               |                                 |                    |
| Q 701                         | Resistor Built-in Transistor | LTA023YEB       | JA 1276                       | Jack                            | CKN1103            |
| Q 1101                        | Transistor                   | EMD52           |                               |                                 |                    |
| Q 1102                        | Bipolar Transistor           | LSAR523UB       |                               |                                 |                    |
| Q 1241                        | Transistor                   | IMH23           |                               |                                 |                    |
|                               |                              |                 |                               |                                 |                    |
| Q 1242                        | Transistor                   | IMH23           | R 111                         |                                 | XRS1/16SS223J      |
| Q 1243                        | Transistor                   | IMH23           | R 112                         |                                 | XRS1/16SS473J      |
| D 101                         | Diode                        | D1F60-5053      | R 113                         |                                 | XRS1/16SS333J      |
| D 102                         | Diode                        | D1F60-5053      | R 114                         |                                 | RS1/4SA122J        |
| D 111                         | Zener Diode                  | UDZV7R5(B)      | R 121                         |                                 | XRS1/16SS103J      |
|                               |                              |                 |                               |                                 |                    |
| D 121                         | Switching Diode              | 1SS355VM        | R 123                         |                                 | RS1/4SA102J        |
| D 141                         | Zener Diode                  | UDZV7R5(B)      | R 141                         |                                 | XRS1/16SS104J      |
| D 201                         | Rectifier Diode              | RR1VWM4STF      | R 142                         |                                 | XRS1/16SS473J      |
| D 202                         | Zener Diode                  | UDZV5R6(B)      | R 201                         |                                 | XRS1/10SR104J      |
| D 221                         | Schottky Diode               | RB751SM-40      | R 202                         |                                 | XRS1/16SS102J      |
|                               |                              |                 |                               |                                 |                    |
| D 222                         | Schottky Diode               | RB056LAM-40TF   | R 223                         |                                 | XRS1/16SS472J      |
| D 261                         | Zener Diode                  | UDZV6R2(B)      | R 225                         |                                 | XRS1/16SS2203D     |
| D 281                         | Zener Diode                  | UDZV9R1(B)      | R 226                         |                                 | XRS1/16SS6802D     |
| D 301                         | Schottky Diode               | RB060MM-30TF    | R 227                         |                                 | XRS1/10SR471J      |
| D 501                         | Schottky Diode               | RB751SM-40      | R 228                         |                                 | XRS1/10SR103J      |
|                               |                              |                 |                               |                                 |                    |
| D 502                         | Schottky Diode               | RB751SM-40      | R 230                         |                                 | XRS1/10SR224J      |
| D 851                         | Zener Diode                  | RSB6R8SM        | R 251                         |                                 | XRS1/16SS472J      |
| D 852                         | Zener Diode                  | RSB6R8SM        | R 252                         |                                 | XRS1/16SS473J      |
| D 1101                        | Rectifier Diode              | RR1VWM4STF      | R 255                         |                                 | XRS1/10SR0R0J      |
| D 1102                        | Rectifier Diode              | RR1VWM4STF      | R 261                         |                                 | XRS1/10SR123J      |
|                               |                              |                 |                               |                                 |                    |
| D 1103                        | Schottky Diode               | RB751SM-40      | R 262                         |                                 | XRS1/16SS472J      |
| D 1201                        | Zener Diode                  | RSB6R8SM        | R 271                         |                                 | XRS1/16SS103J      |
| D 1204                        | Zener Diode                  | UDZV18(B)       | R 272                         |                                 | XRS1/10SR221J      |
| D 1205                        | Zener Diode                  | UDZV18(B)       | R 281                         |                                 | XRS1/10SR152J      |
| D 1206                        | Zener Diode                  | RSB6R8SM        | R 304                         |                                 | XRS1/16SS273J      |
|                               |                              |                 |                               |                                 |                    |
| D 1207                        | Zener Diode                  | RSB6R8SM        | R 305                         |                                 | XRS1/16SS3001D     |
| D 1208                        | Zener Diode                  | RSB6R8SM        | R 306                         |                                 | XRS1/16SS1602D     |
| D 1209                        | Zener Diode                  | RSB6R8SM        | R 308                         |                                 | XRS1/16SS5600D     |
| D 1210                        | Zener Diode                  | RSB6R8SM        | R 309                         |                                 | XRS1/16SS473J      |
| L 101                         | Choke Coil 120 uH            | CTH1620         | R 310                         |                                 | XRS1/16SS304J      |
|                               |                              |                 |                               |                                 |                    |
| L 221                         | SMD SPL Inductor             | CTH1584         | R 311                         | 0.030 ohm                       | CCN1322            |
| L 271                         | Inductor                     | CTF1736         | R 314                         |                                 | RS1/8SQ331J        |
| L 301                         | SMD SPL Inductor             | CTH1584         | R 316                         |                                 | XRS1/16SS560J      |
| L 421                         | Ferrite Bead                 | CTF1528         | R 401                         |                                 | XRS1/16SS102J      |
| L 502                         | Inductor                     | CTF1645         | R 402                         |                                 | XRS1/16SS103J      |
|                               |                              |                 |                               |                                 |                    |
| L 711                         | Chip Beads                   | VTL1133         | R 424                         |                                 | XRS1/16SS272J      |
| L 854                         | Inductor                     | LCMAR27J1608    | R 425                         |                                 | XRS1/16SS332J      |
| L 855                         | Inductor                     | CTF1786         | R 426                         |                                 | XRS1/16SS333J      |
|                               |                              |                 | R 427                         |                                 | XRS1/16SS163J      |

**RESISTORS**

Circuit Symbol and No.Part No.Circuit Symbol and No.Part No.

|   |       |                |       |               |
|---|-------|----------------|-------|---------------|
|   | R 428 | XRS1/16SS824J  | R 572 | XRS1/16SS102J |
|   |       |                | R 573 | XRS1/16SS473J |
| A | R 429 | XRS1/16SS563J  |       |               |
|   | R 431 | XRS1/16SS0R0J  | R 574 | XRS1/16SS473J |
|   | R 432 | XRS1/16SS273J  | R 575 | XRS1/16SS473J |
|   | R 445 | XRS1/16SS0R0J  | R 576 | XRS1/16SS0R0J |
|   | R 450 | XRS1/16SS0R0J  | R 577 | XRS1/16SS330J |
|   |       |                | R 578 | XRS1/16SS473J |
|   | R 502 | XRS1/16SS0R0J  |       |               |
|   | R 503 | XRS1/16SS221J  | R 579 | XRS1/16SS473J |
|   | R 506 | XRS1/16SS473J  | R 580 | XRS1/16SS473J |
|   | R 507 | XRS1/16SS473J  | R 584 | XRS1/16SS102J |
|   | R 508 | XRS1/16SS473J  | R 586 | XRS1/16SS103J |
|   |       |                | R 587 | XRS1/16SS0R0J |
|   | R 509 | XRS1/16SS473J  |       |               |
| B | R 510 | XRS1/16SS473J  | R 591 | XRS1/16SS221J |
|   | R 511 | XRS1/16SS473J  | R 597 | XRS1/16SS473J |
|   | R 512 | XRS1/16SS0R0J  | R 599 | XRS1/16SS102J |
|   | R 513 | XRS1/16SS222J  | R 601 | XRS1/16SS101J |
|   |       |                | R 602 | XRS1/16SS101J |
|   | R 514 | XRS1/16SS101J  |       |               |
|   | R 515 | XRS1/16SS103J  | R 603 | XRS1/16SS101J |
|   | R 516 | XRS1/16SS101J  | R 604 | XRS1/16SS101J |
|   | R 517 | XRS1/16SS103J  | R 605 | XRS1/16SS101J |
|   | R 518 | XRS1/16SS472J  | R 610 | XRS1/16SS222J |
|   |       |                | R 611 | XRS1/16SS472J |
|   | R 519 | XRS1/16SS151J  |       |               |
|   | R 520 | XRS1/16SS101J  | R 612 | XRS1/16SS473J |
| C | R 521 | XRS1/16SS473J  | R 614 | XRS1/16SS473J |
|   | R 522 | XRS1/16SS471J  | R 615 | XRS1/16SS103J |
|   | R 524 | XRS1/16SS3001D | R 616 | XRS1/10SR472J |
|   |       |                | R 617 | XRS1/16SS473J |
|   | R 525 | XRS1/16SS103J  |       |               |
|   | R 526 | XRS1/16SS1213F | R 621 | XRS1/16SS0R0J |
|   | R 527 | XRS1/16SS101J  | R 627 | XRS1/16SS153J |
|   | R 528 | XRS1/16SS222J  | R 628 | XRS1/16SS153J |
|   | R 529 | XRS1/16SS3R3J  | R 629 | XRS1/16SS472J |
|   |       |                | R 630 | XRS1/16SS473J |
|   | R 530 | XRS1/16SS3R3J  |       |               |
|   | R 531 | XRS1/16SS222J  | R 631 | XRS1/16SS0R0J |
|   | R 532 | XRS1/16SS222J  | R 632 | XRS1/16SS473J |
| D | R 533 | XRS1/10SR103J  | R 633 | XRS1/16SS472J |
|   | R 534 | XRS1/10SR103J  | R 634 | XRS1/16SS473J |
|   |       |                | R 635 | XRS1/16SS473J |
|   | R 536 | XRS1/16SS472J  |       |               |
|   | R 538 | XRS1/16SS103J  | R 636 | XRS1/16SS473J |
|   | R 539 | XRS1/16SS473J  | R 637 | XRS1/16SS221J |
|   | R 540 | XRS1/16SS222J  | R 638 | XRS1/16SS221J |
|   | R 541 | XRS1/16SS472J  | R 639 | XRS1/16SS101J |
|   |       |                | R 642 | XRS1/16SS221J |
|   | R 546 | XRS1/16SS273J  |       |               |
|   | R 547 | XRS1/16SS473J  | R 643 | XRS1/16SS101J |
|   | R 548 | XRS1/16SS102J  | R 644 | XRS1/16SS473J |
|   | R 550 | XRS1/16SS273J  | R 645 | XRS1/16SS101J |
| E | R 551 | XRS1/16SS103J  | R 647 | XRS1/16SS102J |
|   |       |                | R 648 | XRS1/16SS102J |
|   | R 552 | XRS1/16SS0R0J  |       |               |
|   | R 554 | XRS1/16SS222J  | R 651 | XRS1/16SS102J |
|   | R 555 | XRS1/16SS135J  | R 652 | XRS1/16SS473J |
|   | R 556 | XRS1/16SS102J  | R 657 | XRS1/16SS101J |
|   | R 558 | XRS1/16SS102J  | R 658 | XRS1/16SS101J |
|   |       |                | R 659 | XRS1/16SS101J |
|   | R 560 | XRS1/16SS473J  |       |               |
|   | R 561 | XRS1/16SS103J  | R 660 | XRS1/16SS101J |
|   | R 562 | XRS1/16SS0R0J  | R 661 | XRS1/16SS101J |
|   | R 564 | XRS1/16SS472J  | R 663 | XRS1/16SS101J |
|   | R 565 | XRS1/16SS0R0J  | R 664 | XRS1/16SS101J |
| F |       |                | R 672 | XRS1/16SS101J |
|   | R 566 | RAB4CQ103J     |       |               |
|   | R 570 | XRS1/16SS221J  | R 676 | XRS1/16SS472J |
|   | R 571 | XRS1/16SS221J  | R 677 | XRS1/16SS472J |

| <u>Circuit Symbol and No.</u> | <u>Part No.</u> | <u>Circuit Symbol and No.</u> | <u>Part No.</u> |
|-------------------------------|-----------------|-------------------------------|-----------------|
| R 678                         | XRS1/16SS472J   | R 954                         | XRS1/16SS221J   |
| R 681                         | XRS1/16SS472J   | R 958                         | XRS1/16SS221J   |
| R 701                         | XRS1/16SS103J   | R 960                         | XRS1/16SS473J   |
|                               |                 | R 961                         | XRS1/16SS473J   |
| R 702                         | XRS1/16SS152J   |                               |                 |
| R 703                         | XRS1/16SS101J   | R 1101                        | XRS1/16SS123J   |
| R 704                         | XRS1/16SS0R0J   | R 1102                        | XRS1/16SS103J   |
| R 705                         | XRS1/16SS222J   | R 1103                        | XRS1/16SS221J   |
| R 706                         | XRS1/16SS222J   | R 1106                        | XRS1/16SS103J   |
|                               |                 | R 1107                        | XRS1/16SS0R0J   |
| R 707                         | XRS1/16SS472J   |                               |                 |
| R 708                         | XRS1/16SS272J   | R 1109                        | XRS1/16SS0R0J   |
| R 709                         | XRS1/16SS473J   | R 1110                        | XRS1/16SS0R0J   |
| R 710                         | XRS1/16SS0R0J   | R 1111                        | XRS1/16SS0R0J   |
| R 714                         | RAB4CQ121J      | R 1112                        | XRS1/16SS0R0J   |
|                               |                 | R 1122                        | XRS1/16SS103J   |
| R 715                         | RAB4CQ121J      |                               |                 |
| R 716                         | RAB4CQ121J      | R 1123                        | XRS1/16SS102J   |
| R 717                         | RAB4CQ121J      | R 1203                        | XRS1/16SS223J   |
| R 718                         | RAB4CQ121J      | R 1204                        | XRS1/16SS223J   |
| R 719                         | RAB4CQ121J      | R 1205                        | XRS1/10SR222J   |
|                               |                 | R 1206                        | XRS1/10SR221J   |
| R 720                         | RAB4CQ121J      |                               |                 |
| R 721                         | RAB4CQ121J      | R 1207                        | XRS1/10SR221J   |
| R 722                         | RAB4CQ121J      | R 1208                        | XRS1/10SR0R0J   |
| R 724                         | XRS1/16SS121J   | R 1209                        | XRS1/10SR222J   |
| R 731                         | XRS1/16SS330J   | R 1210                        | XRS1/10SR222J   |
|                               |                 | R 1211                        | XRS1/10SR222J   |
| R 732                         | XRS1/16SS330J   |                               |                 |
| R 733                         | XRS1/16SS103J   | R 1212                        | XRS1/10SR222J   |
| R 734                         | XRS1/16SS103J   | R 1213                        | XRS1/16SS123J   |
| R 735                         | XRS1/16SS103J   | R 1214                        | XRS1/10SR222J   |
| R 736                         | XRS1/16SS330J   | R 1215                        | XRS1/10SR101J   |
|                               |                 | R 1217                        | XRS1/16SS0R0J   |
| R 737                         | XRS1/16SS330J   |                               |                 |
| R 741                         | XRS1/16SS330J   | R 1221                        | RS1/4SA0R0J     |
| R 742                         | XRS1/16SS103J   | R 1223                        | RS1/4SA0R0J     |
| R 743                         | XRS1/16SS103J   | R 1241                        | XRS1/16SS821J   |
| R 744                         | XRS1/16SS330J   | R 1242                        | XRS1/16SS821J   |
|                               |                 | R 1243                        | XRS1/16SS821J   |
| R 745                         | XRS1/16SS330J   |                               |                 |
| R 746                         | XRS1/16SS103J   | R 1244                        | XRS1/16SS821J   |
| R 747                         | XRS1/16SS330J   | R 1245                        | XRS1/16SS821J   |
| R 748                         | XRS1/16SS330J   | R 1246                        | XRS1/16SS821J   |
| R 749                         | XRS1/16SS330J   | R 1247                        | XRS1/16SS223J   |
|                               |                 | R 1248                        | XRS1/16SS223J   |
| R 750                         | XRS1/16SS103J   |                               |                 |
| R 751                         | XRS1/16SS103J   | R 1249                        | XRS1/16SS223J   |
| R 753                         | XRS1/16SS103J   | R 1250                        | XRS1/16SS223J   |
| R 761                         | XRS1/10SR221J   | R 1251                        | XRS1/16SS223J   |
| R 763                         | XRS1/16SS101J   | R 1252                        | XRS1/16SS223J   |
|                               |                 | R 1253                        | XRS1/16SS0R0J   |
| R 764                         | XRS1/16SS101J   |                               |                 |
| R 766                         | XRS1/16SS0R0J   | R 1255                        | XRS1/16SS0R0J   |
| R 767                         | XRS1/16SS104J   | R 1260                        | XRS1/16SS0R0J   |
| R 768                         | XRS1/16SS181J   | R 1261                        | XRS1/16SS0R0J   |
| R 851                         | XRS1/16SS105J   | R 1262                        | XRS1/16SS0R0J   |
|                               |                 | R 1263                        | XRS1/16SS0R0J   |
| R 852                         | XRS1/16SS105J   |                               |                 |
| R 853                         | XRS1/16SS391J   | R 1264                        | XRS1/16SS0R0J   |
| R 863                         | XRS1/16SS103J   | R 1265                        | XRS1/16SS0R0J   |
| R 868                         | XRS1/16SS103J   | R 1278                        | XRS1/16SS102J   |
| R 870                         | XRS1/16SS101J   | R 1280                        | XRS1/16SS102J   |
|                               |                 | R 1281                        | XRS1/16SS101J   |
| R 873                         | XRS1/16SS472J   |                               |                 |
| R 874                         | XRS1/16SS101J   | R 1282                        | XRS1/16SS101J   |
| R 875                         | XRS1/16SS472J   |                               |                 |
| R 890                         | XRS1/16SS0R0J   |                               |                 |
| R 952                         | XRS1/16SS221J   |                               |                 |
|                               |                 |                               |                 |
| R 953                         | XRS1/16SS473J   |                               |                 |

**CAPACITORS**C 101  
C 102CEHAT222M16  
CKSRYB103K50

Circuit Symbol and No.Part No.Circuit Symbol and No.Part No.

|   |       |               |       |               |
|---|-------|---------------|-------|---------------|
|   | C 111 | CKSRYX104K50  | C 431 | CKSSYB104K10  |
|   | C 122 | CKSRYX105K50  | C 434 | CCSSCH6R0D50  |
| A | C 201 | CEHAT332M16   | C 435 | CKSSYB102K50  |
|   |       |               | C 445 | CKSRYX105K16  |
|   | C 202 | CKSRYX104K50  |       |               |
|   | C 203 | CKSSYB104K10  | C 446 | CKSRYX105K16  |
|   | C 204 | CKSQYX106K10  | C 450 | CKSSYB104K16  |
|   | C 205 | CKSYX106K35   | C 451 | CKSSYB102K50  |
|   | C 211 | CKSRYX105K16  | C 502 | CKSSYB104K10  |
|   |       |               | C 503 | CKSRYX475K6R3 |
|   | C 212 | CKSRYX105K16  |       |               |
|   | C 213 | CKSSYB104K10  | C 505 | CKSSYB104K10  |
|   | C 216 | CKSRYX105K16  | C 506 | CKSRYX475K6R3 |
|   | C 217 | CKSRYX105K16  | C 507 | CKSRYX475K6R3 |
|   | C 218 | CKSSYB104K10  | C 508 | CKSSYB104K10  |
|   |       |               | C 509 | CKSRYX475K6R3 |
| B | C 221 | CKSYX106K35   |       |               |
|   | C 222 | CKSRYX105K50  | C 510 | CKSSYB104K10  |
|   | C 223 | CKSRYX104K50  | C 511 | CKSRYX475K6R3 |
|   | C 224 | CKSRYB103K50  | C 512 | CKSSYB104K10  |
|   | C 226 | CKSSYB102K50  | C 513 | CKSRYX475K6R3 |
|   |       |               | C 514 | CKSSYB104K10  |
|   | C 227 | CKSRYX475K6R3 |       |               |
|   | C 228 | CKSRYX105K16  | C 517 | CKSSYB104K10  |
|   | C 229 | CKSSYX105K10  | C 518 | CCSSCH100D50  |
|   | C 230 | CEHVW221M16   | C 519 | CCSSCH100D50  |
|   | C 241 | CKSRYB474K16  | C 520 | CKSRYX475K6R3 |
|   |       |               | C 521 | CKSSYB104K10  |
| C | C 242 | CKSRYB474K16  |       |               |
|   | C 244 | CCSSCH470J50  | C 522 | CKSRYX475K6R3 |
|   | C 251 | CKSRYX105K50  | C 523 | CKSRYX475K6R3 |
|   | C 252 | CKSRYX104K50  | C 524 | CKSRYX475K6R3 |
|   | C 261 | CKSSYB104K10  | C 525 | CKSRYX106M6R3 |
|   |       |               | C 526 | CKSSYB103K16  |
|   | C 262 | CKSRYX105K16  |       |               |
|   | C 263 | CKSSYB104K10  | C 527 | CKSRYX106M6R3 |
|   | C 272 | CKSRYX106M6R3 | C 528 | CKSSYB103K16  |
|   | C 274 | CKSRYX106M6R3 | C 529 | CKSSYB104K10  |
|   | C 281 | CKSRYX105K16  | C 530 | CKSRYX475K6R3 |
|   |       |               | C 531 | CKSSYX105K10  |
|   | C 282 | CKSSYB104K16  |       |               |
| D | C 283 | CKSSYB104K16  | C 532 | CKSSYX105K10  |
|   | C 301 | CKSSYB153K16  | C 533 | CKSRYX475K6R3 |
|   | C 302 | CKSSYB222K50  | C 534 | CKSSYB104K10  |
|   | C 304 | CKSSYB221K50  | C 535 | CEHVW221M16   |
|   |       |               | C 536 | CCSSCH101J50  |
|   | C 305 | CKSSYX105K10  |       |               |
|   | C 306 | CKSRYX104K50  | C 537 | CKSSYB103K16  |
|   | C 307 | CKSYX226M16   | C 538 | CKSRYX106M6R3 |
|   | C 308 | CKSRYX225K10  | C 539 | CKSSYB103K16  |
|   | C 309 | CEHVW470M16   | C 540 | CKSRYX106M6R3 |
|   |       |               | C 541 | CKSSYB222K50  |
|   | C 310 | CKSRYB224K16  |       |               |
| E | C 311 | CCG1236       | C 542 | CKSSYB104K10  |
|   | C 312 | CEHVW470M16   | C 543 | CKSSYX105K10  |
|   | C 314 | CKSRYX225K10  | C 544 | CKSSYB473K16  |
|   | C 318 | CCSSCH470J50  | C 545 | CCSSCH100D50  |
|   |       |               | C 546 | CCSSCH120J50  |
|   | C 320 | CKSRYX475K10  |       |               |
|   | C 401 | CKSSYB104K10  | C 551 | CKSSYB104K10  |
|   | C 422 | CKSRYX106M6R3 | C 552 | CKSRYX475K6R3 |
|   | C 423 | CKSSYB104K10  | C 553 | CKSRYX106M6R3 |
|   | C 424 | CKSRYX105K16  | C 555 | CKSSYB103K16  |
|   |       |               | C 556 | CKSSYB104K10  |
|   | C 425 | CKSSYB104K10  |       |               |
|   | C 426 | CKSSYB182K50  | C 559 | CKSQYB224K50  |
|   | C 427 | CKSRYX105K25  | C 560 | CKSSYB103K16  |
| F | C 428 | CKSSYX105K10  | C 565 | CCSSCH330J50  |
|   | C 429 | CCSSCH6R0D50  | C 566 | CCSSCH330J50  |
|   |       |               | C 571 | CCSSCH330J50  |
|   | C 430 | CKSSYB102K50  |       |               |

| <u>Circuit Symbol and No.</u> | <u>Part No.</u> | <u>Circuit Symbol and No.</u> | <u>Part No.</u> |
|-------------------------------|-----------------|-------------------------------|-----------------|
| C 572                         | CCSSCH330J50    | C 872                         | CKSSYB104K10    |
| C 575                         | CKSSYB104K10    | C 874                         | CCSSCH180J50    |
| C 580                         | CKSRX104K50     | C 878                         | CKSSYB152K50    |
| C 586                         | CKSSYB102K50    | C 883                         | CKSRX225K10     |
| C 588                         | CKSSYB104K10    | C 891                         | CKSRX225K10     |
| C 590                         | CKSSYB472K50    | C 892                         | CKSSYB104K10    |
| C 591                         | CKSSYB472K50    | C 893                         | CKSSYB104K10    |
| C 592                         | CKSSYB472K50    | C 894                         | CKSRX475K6R3    |
| C 593                         | CKSSYB472K50    | C 895                         | CKSRX105K16     |
| C 595                         | CKSSYB472K50    | C 953                         | CKSSYB104K16    |
| C 701                         | CKSSYB104K10    | C 954                         | CKSSYB104K16    |
| C 702                         | CKSSYB104K10    | C 1101                        | CKSQYB474K25    |
| C 711                         | CKSRX475K6R3    | C 1102                        | CKSQYB474K25    |
| C 712                         | CKSSYX105K10    | C 1103                        | CKSQYB474K25    |
| C 713                         | CKSSYB104K10    | C 1104                        | CKSQYB474K25    |
| C 714                         | CKSSYX105K10    | C 1106                        | CKSRX474K10     |
| C 715                         | CKSSYX105K10    | C 1108                        | CKSRX104K50     |
| C 716                         | CKSSYX105K10    | C 1108                        | CKSQYX106K16    |
| C 718                         | CKSSYB104K10    | C 1110                        | CKSRX225K10     |
| C 719                         | CKSSYB104K10    | C 1111                        | CKSRX104K50     |
| C 722                         | CKSSYB104K10    | C 1112                        | CKSSYB104K10    |
| C 731                         | CKSSYB104K10    | C 1118                        | CKSSYB104K10    |
| C 741                         | CKSRX225K10     | C 1119                        | CKSRX104K50     |
| C 742                         | CKSSYB104K10    | C 1120                        | CKSRX104K50     |
| C 743                         | CKSSYB104K10    | C 1121                        | CKSRX106M6R3    |
| C 744                         | CKSSYB103K16    | C 1201                        | CCG1345         |
| C 761                         | CKSRX105K16     | C 1203                        | CKSRX104K50     |
| C 762                         | CKSRX105K16     | C 1204                        | CKSRX105K16     |
| C 763                         | CKSRX105K16     | C 1205                        | CCSRCH221J50    |
| C 767                         | CKSRX105K16     | C 1206                        | CCSRCH221J50    |
| C 768                         | CKSRX105K16     | C 1210                        | CKSRX105K16     |
| C 769                         | CKSRX105K16     | C 1217                        | CCSSCH121J50    |
| C 770                         | CKSRX105K16     | C 1241                        | CKSQYX106K10    |
| C 771                         | CKSRX105K16     | C 1242                        | CKSQYX106K10    |
| C 772                         | CKSRX105K16     | C 1243                        | CKSQYX106K10    |
| C 773                         | CKSRX105K16     | C 1244                        | CKSQYX106K10    |
| C 774                         | CCSSCH151J50    | C 1245                        | CKSQYX106K10    |
| C 775                         | CCSSCH151J50    | C 1246                        | CKSQYX106K10    |
| C 776                         | CKSRX104K50     | C 1247                        | CCSSCH102J50    |
| C 777                         | CCG1236         | C 1248                        | CCSSCH102J50    |
| C 778                         | CKSRX105K16     | C 1249                        | CCSSCH102J50    |
| C 779                         | CKSQYX106K10    | C 1250                        | CCSSCH102J50    |
| C 780                         | CKSRX104K50     | C 1251                        | CCSSCH102J50    |
| C 781                         | CKSRX105K16     | C 1252                        | CCSSCH102J50    |
| C 782                         | CKSRX105K16     | C 1276                        | CKSSYB104K16    |
| C 783                         | CKSRX105K16     | C 1277                        | CKSSYB104K16    |
| C 784                         | CKSRX105K16     | C 1278                        | CKSSYB104K16    |
| C 785                         | CKSRX105K16     | C 1279                        | CKSSYB104K16    |
| C 787                         | CKSQYX106K16    | C 1280                        | CKSSYB102K50    |
| C 788                         | CKSQYX106K16    | C 1281                        | CKSSYB102K50    |
| C 790                         | CKSRX106M6R3    | C 1284                        | CKSRX474K10     |
| C 791                         | CKSSYB103K25    |                               |                 |
| C 853                         | CCSSCH120J50    |                               |                 |
| C 854                         | CCSSCH471J50    |                               |                 |
| C 858                         | CCSSCH5R0C50    |                               |                 |
| C 859                         | CCSSCH120J50    |                               |                 |
| C 866                         | CKSSYB224K6R3   |                               |                 |
| C 867                         | CKSSYB102K50    |                               |                 |
| C 870                         | CKSSYB102K50    | IC 1801                       | Driver IC       |
| C 871                         | CKSSYB104K10    | IC 1802                       | Driver IC       |

**B**

**Unit Number: QWM5375**  
**Unit Name : Keyboard Unit**

**MISCELLANEOUS**

BU97540KV-M  
BU97540KV-M

**Circuit Symbol and No.****Part No.****Circuit Symbol and No.****Part No.**

IC 1851 IR RC REC Module  
 Q 1951 Bipolar Transistor  
 Q 1952 Bipolar Transistor  
 Q 1953 Bipolar Transistor  
 Q 1954 Bipolar Transistor  
 Q 1955 Bipolar Transistor  
 Q 1956 Bipolar Transistor  
 Q 1957 Bipolar Transistor

SIR8440B5  
 LSCR523UB  
 LSCR523UB  
 LSCR523UB  
 LSCR523UB  
 LSCR523UB  
 LSCR523UB  
 LSCR523UB

R 1821  
 R 1853  
 R 1921  
 R 1922  
 R 1923  
 R 1941  
 R 1942  
 R 1943  
 R 1944  
 R 1951

XRS1/10SR273J  
 XRS1/10SR101J  
 XRS1/10SR0R0J  
 XRS1/10SR0R0J  
 XRS1/10SR0R0J  
 XRS1/10SR222J  
 XRS1/10SR222J  
 XRS1/10SR222J  
 XRS1/10SR222J  
 XRS1/10SR123J

Q 1958 Bipolar Transistor  
 Q 1959 Bipolar Transistor  
 Q 1960 Bipolar Transistor  
 Q 1961 Bipolar Transistor  
 Q 1962 Bipolar Transistor

LSCR523UB  
 LSCR523UB  
 LSCR523UB  
 LSCR523UB  
 LSCR523UB

R 1952  
 R 1953  
 R 1955  
 R 1956  
 R 1957

XRS1/10SR682J  
 XRS1/10SR101J  
 XRS1/10SR123J  
 XRS1/10SR682J  
 XRS1/10SR101J

Q 1963 Bipolar Transistor  
 Q 1964 Bipolar Transistor  
 Q 1965 Bipolar Transistor  
 D 1901 Zener Diode  
 D 1902 Zener Diode

LSCR523UB  
 LSCR523UB  
 LSCR523UB  
 SZESD7351HG  
 SZESD7351HG

R 1959  
 R 1960  
 R 1961  
 R 1963  
 R 1964

XRS1/10SR123J  
 XRS1/10SR682J  
 XRS1/10SR101J  
 XRS1/10SR123J  
 XRS1/10SR682J

D 1922 Zener Diode  
 D 1923 Zener Diode  
 D 1924 Zener Diode  
 D 1951 LED  
 D 1952 LED

RSB6R8SM  
 RSB6R8SM  
 RSB6R8SM  
 NSSM124F-A27847  
 NSSM124F-A27847

R 1965  
 R 1967  
 R 1968  
 R 1969  
 R 1971

XRS1/10SR101J  
 XRS1/10SR123J  
 XRS1/10SR682J  
 XRS1/10SR101J  
 XRS1/10SR123J

D 1953 LED  
 D 1954 LED  
 D 1955 LED  
 D 1956 LED  
 D 1957 LED

NSSM124F-A27847  
 NSSM124F-A27847  
 NSSM124F-A27847  
 NSSM124F-A27847  
 MSL0101RGBU

R 1972  
 R 1973  
 R 1975  
 R 1976  
 R 1977

XRS1/10SR682J  
 XRS1/10SR101J  
 XRS1/10SR123J  
 XRS1/10SR682J  
 XRS1/10SR101J

D 1958 LED  
 D 1959 LED  
 D 1960 LED  
 L 1942 Inductor  
 S 1821 Switch

MSL0101RGBU  
 MSL0101RGBU  
 MSL0101RGBU  
 CTF1389  
 CSG1207

R 1979  
 R 1980  
 R 1981  
 R 1983  
 R 1984

XRS1/10SR123J  
 XRS1/10SR682J  
 XRS1/10SR101J  
 XRS1/10SR123J  
 XRS1/10SR682J

S 1822 Switch  
 S 1823 Switch  
 S 1824 Switch  
 S 1826 Switch  
 S 1827 Switch

CSG1207  
 CSG1207  
 CSG1207  
 CSG1207  
 CSG1207

R 1985  
 R 1987  
 R 1988  
 R 1989  
 R 1990

XRS1/10SR101J  
 XRS1/10SR121J  
 XRS1/10SR121J  
 XRS1/10SR151J  
 XRS1/10SR121J

S 1828 Switch  
 S 1829 Switch  
 S 1830 Switch  
 S 1831 Switch  
 S 1832 Switch

CSG1207  
 CSG1207  
 CSG1207  
 CSG1207  
 CSG1207

R 1991  
 R 1992  
 R 1993  
 R 1994  
 R 1995

XRS1/10SR121J  
 XRS1/10SR151J  
 XRS1/10SR121J  
 XRS1/10SR121J  
 XRS1/10SR151J

S 1833 Switch  
 S 1834 Switch  
 S 1835 Switch  
 S 1836 Encoder(MULTI-CONTROL)  
 S 1941 Switch(RESET)

CSG1207  
 CSG1207  
 CSG1207  
 CSD1193  
 CSG1207

R 1996  
 R 1997  
 R 1998  
 R 2000  
 R 2001

XRS1/10SR123J  
 XRS1/10SR562J  
 RS1/10SR360J  
 XRS1/10SR123J  
 XRS1/10SR562J

CN1941 Connector  
 JA 1901 Connector  
 JA 1921 Jack  
 V 1801 Segment LCD

CKS6451  
 CKS6443  
 CKN1090  
 CAW2068

R 2002  
 R 2004  
 R 2005  
 R 2006  
 R 2008

RS1/10SR360J  
 XRS1/10SR123J  
 XRS1/10SR562J  
 RS1/10SR360J  
 XRS1/10SR123J

**RESISTORS**

R 1801  
 R 1802  
 R 1803  
 R 1804  
 R 1805

XRS1/10SR0R0J  
 XRS1/10SR0R0J  
 XRS1/10SR0R0J  
 XRS1/10SR472J  
 XRS1/10SR0R0J

R 2009  
 R 2010  
 R 2012  
 R 2013  
 R 2014

XRS1/10SR562J  
 RS1/10SR360J  
 XRS1/10SR123J  
 XRS1/10SR562J  
 RS1/10SR360J

**Circuit Symbol and No.****Part No.**

|        |               |
|--------|---------------|
| R 2016 | XRS1/10SR123J |
| R 2017 | XRS1/10SR562J |
| R 2018 | RS1/10SR360J  |
| R 2020 | XRS1/10SR151J |
| R 2021 | XRS1/10SR151J |
| R 2022 | RS1/8SQ221J   |
| R 2023 | XRS1/10SR151J |
| R 2024 | XRS1/10SR151J |
| R 2025 | RS1/8SQ221J   |

**CAPACITORS**

|        |              |
|--------|--------------|
| C 1801 | CKSRYX105K16 |
| C 1802 | CKSRYX105K16 |
| C 1851 | CKSQYX106K10 |
| C 1903 | CKSRYX105K16 |
| C 1905 | CKSRYX104K50 |
| C 1906 | CKSRYX475K16 |

A

B

C

D

E

F