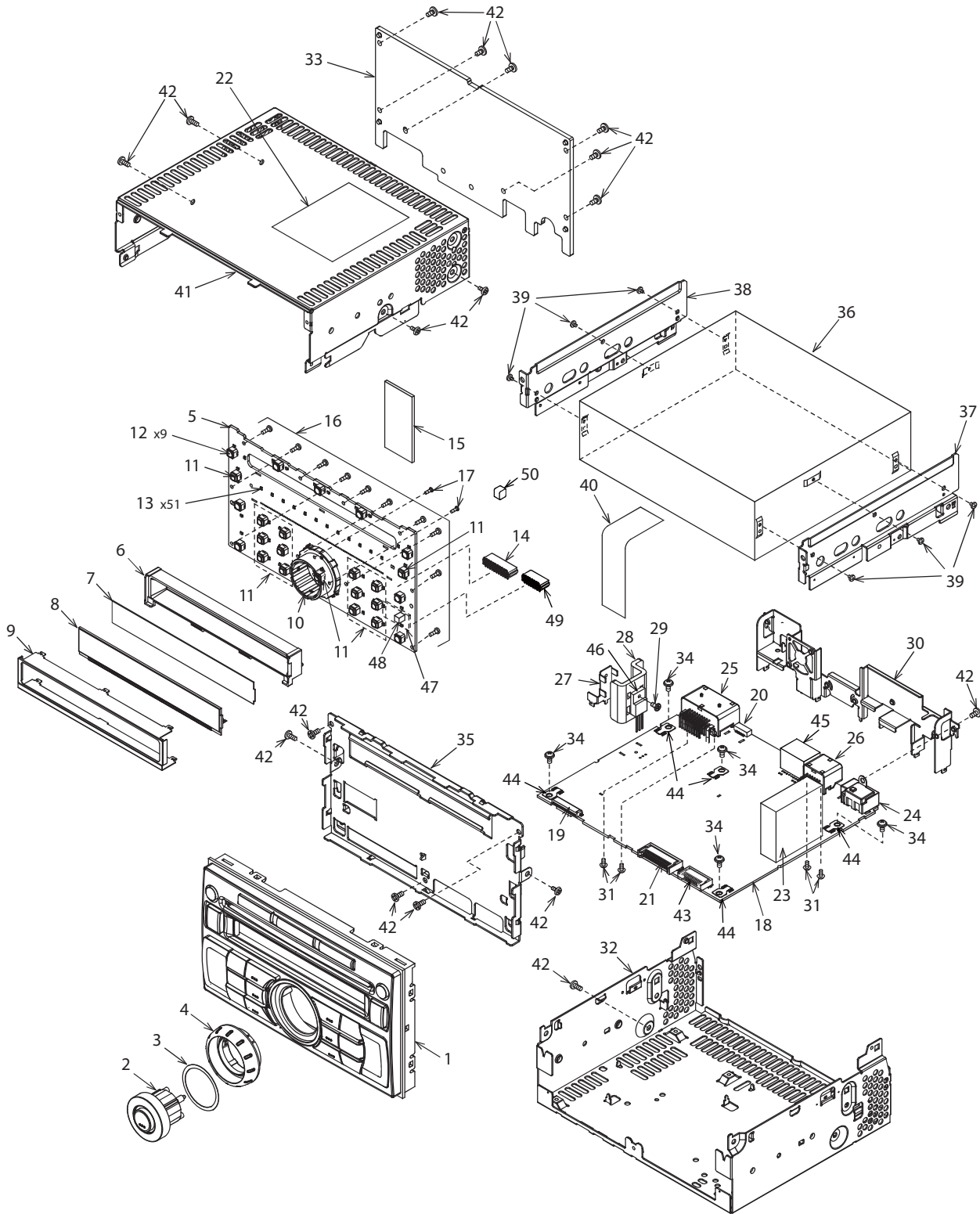


# EXPLODED VIEW/PARTS LIST



Note) Some parts depend on each model. The model name is specified in the description.  
 ( N-A:PN-3125N-A, N-B:PN-3125N-B, T-A:PP-3125T-A, T-B:PP-3125T-B)

NO.	PART NO.	DESCRIPTION	Q'TY
1	940-8251-20	ES-ASSY	1
2	947-0591-00 947-0693-00	KNOB ASSY (N-A/N-B) KNOB ASSY (T-A/T-B)	1
3	347-7959-00	SHADE	1
4	380-5655-00 380-5701-00	KNOB (N-A/N-B) KNOB(T-A/T-B)	1
5	-----	SWITCH PWB	1
6	335-7693-00	LCD HOLDER	1
7	335-7801-00	LCD LEFLECTOR	1
8	379-1392-52 379-1392-50	INDICATOR (LCD) (N-A/N-B) INDICATOR (LCD) (T-A/T-B)	1
9	331-4166-00	LCD COVER	1
10	016-7004-00	ROTARY SWITCH	1
11	013-6201-52	TACT SWITCH	15
12	013-6202-52	TACT SWITCH	9
13	001-7109-90	DIODE	51
14	074-3013-72	OUTLET SOCKET (22P)	1
15	345-8090-00	CUSHION RUBBER	1
16	716-0778-52	WAVE SCREW (2 x 6)	10
17	716-0872-51	PAD SCREW (M1.7 x 6)	2
18	-----	MAIN PWB	1
19	074-1237-69	OUTLET SOCKET (19P)	1
20	076-0478-59	PLUG (9P)	1
21	076-3011-72	PLUG (22P)	1
22	276-0584-57 276-0584-58 276-0584-05 276-0677-01	SET PLATE (N-A) SET PLATE (N-B) SET PLATE (T-A) SET PLATE (T-B)	1
23	880-2091M	TUNER PACK	1
24	092-2210-01	ANT RECEPT	1
25	074-4009-20	OUTLET SOCKET (20P)	1

NO.	PART NO.	DESCRIPTION	Q'TY
26	074-1302-12	OUTLET SOCKET (12P)	1
27	331-3880-00 331-4823-00	TR HOLDER (N-A/N-B) TR HOLDER (T-A/T-B)	1
28	313-1967-00	HEAT SINK (T-A/T-B Not used)	1
29	716-1646-50 716-1494-50	IT SCREW (M2.6 x 8) (N-A/N-B) IT SCREW (M2.6 x 6) (T-A/T-B)	1
30	307-0720-00	REAR PLATE	1
31	778-3006-00	TAP SCREW (3 x 6)	4
32	311-1914-00	LOWER CASE	1
33	313-1968-00	HEAT SINK	1
34	716-0878-50	SCREW (M2.6 x 5)	5
35	309-0822-00	ES PLATE (6CD)	1
36	929-0410-80	CD MECH MODULE	1
37	331-4092-10	CD MECH BRKT (RH)	1
38	331-4091-10	CD MECH BRKT (LH)	1
39	716-3552-00	SCREW (M2.3 x 2.5)	6
40	816-4024-50	FLAT WIRE	1
41	310-1823-10	UPPER CASE	1
42	714-2606-8B	MACHINE SCREW (M2.6 x 6)	17
43	076-3011-66	PLUG (16P)	1
44	073-0762-90	TERMINAL	5
45	074-1013-00	OUTLET SOCKET(12P)	1
46	051-3340-00	IC	1
47	060-8079-90	BLUETOOTH MODULE	1
48	060-8062-50	CERAMIC-ANT	1
49	074-3013-66	OUTLET SOCKET (16P)	1
50	345-5805-01 345-5805-51	GASKET(N-A/N-B) GASKET(T-A/T-B)	1

# ELECTRICAL PARTS LIST

## Main PWB(B1) section

Note) Some parts depend on each model. The model name is specified in the description.  
( N-A:PN-3125N-A, N-B:PN-3125N-B, T-A:PP-3125T-A, T-B:PP-3125T-B)

REF No.	PART No.	DESCRIPTION	REF No.	PART No.	DESCRIPTION	REF No.	PART No.	DESCRIPTION
ANT101	092-2210-01	ANT-RECEPT	C315	168-1022-55	1000pF K	C530	163-1073-35	16V 100uF
BL101	880-2091M	TUNER PACK	C316	168-1022-55	1000pF K	C531	168-6822-55	6800pF K
C104	168-2222-55	2200pF K (N-B not used)	C317	166-1011-50	100pF CH	C532	168-1042-78	16V 0.1uF K
C108	119-0000-05	1/10W 0 ohm JW (N-B)	C318	168-1042-78	16V 0.1uF K	C548	163-4763-35	16V 47uF
C108	166-1511-50	150pF CH (N-A/T-A/T-B)	C319	168-5622-55	5600pF K	C549	163-2273-25	10V 220uF
C109	166-2201-50	22pF CH	C320	168-5622-55	5600pF K	C550	168-2212-55	220pF K
C110	168-1045-56	25V 0.1uF Z	C323	168-1022-55	1000pF K	C551	166-2201-50	22pF CH
C111	178-3342-78	0.33uF	C324	163-2273-25	10V 220uF	C552	042-0592-61	16V 47uF
C112	163-4763-15	6.3V 47uF	C325	168-2222-55	2200pF K	C553	042-0592-61	16V 47uF
C113	178-1052-78	25V 1uF	C326	166-4711-50	470pF CH	C554	189-1083-32	16V 1000uF
C114	178-1052-78	25V 1uF	C327	163-2263-35	16V 22uF	C556	043-0499-51	50V 0.1uF J
C116	168-1222-55	1200pF K	C328	168-1022-55	1000pF K	C557	163-4763-35	16V 47uF
C117	178-1052-78	25V 1uF	C329	166-1007-50	10pF CH	C558	168-2222-55	2200pF K
C118	168-4732-78	0.047uF K	C330	163-1063-35	16V 10uF	C559	168-2222-55	2200pF K
C119	168-1022-55	1000pF K	C331	166-1007-50	10pF CH	C560	168-2222-55	2200pF K
C120	168-4722-55	4700pF K	C333	168-1042-78	16V 0.1uF K	C561	168-6822-55	6800pF K
C121	168-4722-55	4700pF K	C334	163-1073-15	6.3V 100uF	C562	168-2222-55	2200pF K
C122	163-1073-35	16V 100uF	C335	178-1052-78	25V 1uF	C563	168-2222-55	2200pF K
C123	168-2222-55	2200pF K	C336	168-3332-78	0.033uF K	C564	042-0427-94	16V 47uF TAN
C124	168-1022-55	1000pF K	C338	168-1022-55	1000pF K	C565	168-2222-55	2200pF K
C125	168-2232-55	0.022uF K	C339	168-1022-55	1000pF K	C566	168-2222-55	2200pF K
C126	168-2232-55	0.022uF K	C340	166-1007-50	10pF CH	C567	168-1042-78	16V 0.1uF K
C127	168-1022-55	1000pF K	C341	168-4712-55	470pF K	C568	168-2222-55	2200pF K
C128	168-1022-55	1000pF K	C342	168-1042-78	16V 0.1uF K	C569	168-2222-55	2200pF K
C129	178-1052-78	25V 1uF	C343	168-1022-55	1000pF K	C570	168-1042-78	16V 0.1uF K
C130	168-1022-55	1000pF K	C344	163-1063-35	16V 10uF	C571	163-1073-35	16V 100uF
C131	163-1073-35	16V 100uF	C345	168-3322-55	3300pF K	C572	178-1052-78	25V 1uF
C132	166-2201-50	22pF CH	C346	168-3322-55	3300pF K	C573	168-1042-78	16V 0.1uF K
C133	166-2201-50	22pF CH	C347	168-3322-55	3300pF K	C574	163-1063-35	16V 10uF
C134	166-2201-50	22pF CH	C348	168-3322-55	3300pF K	C575	168-2232-55	0.022uF K
C135	166-2201-50	22pF CH	C350	042-0643-58	6.3V 330uF	C577	166-4701-50	47pF CH
C136	178-1052-78	25V 1uF	C351	168-4722-55	4700pF K	C704	043-0548-50	10V 2.2uF
C137	178-1052-78	25V 1uF	C352	168-2222-55	2200pF K	C705	043-0548-50	10V 2.2uF
C138	178-3342-78	0.33uF	C353	168-2222-55	2200pF K	C706	166-5601-50	56pF CH
C140	163-1063-35	16V 10uF	C354	168-2222-55	2200pF K	C707	166-5601-50	56pF CH
C141	163-1063-35	16V 10uF (N-B not used)	C355	168-2222-55	2200pF K	C712	166-5601-50	56pF CH
C142	168-1042-78	16V 0.1uF K	C356	163-1073-15	6.3V 100uF	C713	166-5601-50	56pF CH
C143	166-6801-50	68pF CH	C359	168-1022-55	1000pF K	C716	043-0548-50	10V 2.2uF
C201	043-0548-50	10V 2.2uF	C360	166-4711-50	470pF CH	C717	043-0548-50	10V 2.2uF
C202	043-0548-50	10V 2.2uF	C361	043-0554-90	25V 10uF	C718	166-5601-50	56pF CH
C203	043-0548-50	10V 2.2uF	C401	168-1042-78	16V 0.1uF K	C719	166-5601-50	56pF CH
C204	043-0548-50	10V 2.2uF	C402	168-1042-78	16V 0.1uF K	C724	166-5601-50	56pF CH
C217	168-1042-78	16V 0.1uF K	C404	166-5096-50	5pF +/-0.25pF CH	C725	166-5601-50	56pF CH
C227	042-0643-58	6.3V 330uF	C406	166-5096-50	5pF +/-0.25pF CH	C726	163-3363-25	10V 33uF
C228	163-2273-25	10V 220uF	C407	168-1042-78	16V 0.1uF K	C727	163-3363-25	10V 33uF
C229	163-1063-35	16V 10uF	C408	163-4763-15	6.3V 47uF	C728	163-3363-25	10V 33uF
C230	168-1042-78	16V 0.1uF K	C409	168-1042-78	16V 0.1uF K	C729	163-3363-25	10V 33uF
C232	163-1063-35	16V 10uF	C412	168-1032-55	0.01uF K	C730	163-3363-25	10V 33uF
C233	168-1042-78	16V 0.1uF K	C413	163-1073-35	16V 100uF	C731	163-3363-25	10V 33uF
C236	163-4763-35	16V 47uF	C501	168-1042-78	16V 0.1uF K	C732	163-3363-25	10V 33uF
C237	168-1042-78	16V 0.1uF K	C502	168-1042-78	16V 0.1uF K	C733	163-3363-25	10V 33uF
C238	168-1042-78	16V 0.1uF K	C503	168-1042-78	16V 0.1uF K	C928	042-0423-97	16V 10uF
C241	168-1022-55	1000pF K	C504	168-1042-78	16V 0.1uF K	C929	168-1045-56	25V 0.1uF Z
C242	168-1022-55	1000pF K	C505	166-5611-50	560pF CH	C930	163-4763-35	16V 47uF
C301	163-4753-65	50V 4.7uF	C506	166-5611-50	560pF CH	C931	168-1042-78	16V 0.1uF K
C302	168-1042-78	16V 0.1uF K	C507	166-5611-50	560pF CH	CCT301	050-0145-52	1/16W 1k ohm x4
C303	166-1811-50	180pF CH	C508	166-5611-50	560pF CH	CCT401	050-0145-52	1/16W 1k ohm x4
C304	166-1007-50	10pF CH	C509	166-2201-50	22pF CH	CCT402	050-0145-52	1/16W 1k ohm x4
C306	168-1042-78	16V 0.1uF K	C510	166-2201-50	22pF CH	CCT403	050-0145-52	1/16W 1k ohm x4
C307	168-1042-78	16V 0.1uF K	C513	166-2201-50	22pF CH	CCT404	050-0145-52	1/16W 1k ohm x4
C308	166-8096-50	8pF +/-0.25pF CH	C514	166-2201-50	22pF CH	D106	001-0516-90	MA111
C309	166-8096-50	8pF +/-0.25pF CH	C516	166-5611-50	560pF CH	D108	001-0529-48	MA8091-H
C310	168-1022-55	1000pF K	C517	166-5611-50	560pF CH	D109	001-0516-90	MA111 (N-B not used)
C311	163-4753-65	50V 4.7uF	C518	043-0566-90	50V 2.2uF K	D204	001-0516-90	MA111
C312	168-1042-78	16V 0.1uF K	C519	166-5611-50	560pF CH	D208	001-0516-90	MA111
C313	163-4753-65	50V 4.7uF	C520	166-5611-50	560pF CH	D210	001-0529-72	MA8200-M
C314	168-1042-78	16V 0.1uF K	C523	163-1063-35	16V 10uF	D211	001-9210-50	AVR- M1608C270MTAAD
			C525	043-0554-90	25V 10uF			
			C526	043-0328-90	50V 0.1uF			
			C528	168-1022-55	1000pF K	D212	001-9210-50	AVR- M1608C270MTAAD
			C529	043-0548-50	10V 2.2uF			

REF No.	PART No.	DESCRIPTION	REF No.	PART No.	DESCRIPTION	REF No.	PART No.	DESCRIPTION
D213	001-9210-50	AVR-M1608C270MTAAD	Q101	198-3018-00	2SK3018	R138	119-1031-15	1/10W 10k ohm
D214	001-9210-50	AVR-M1608C270MTAAD	Q102	198-3018-00	2SK3018	R139	119-1041-15	1/10W 100k ohm
D502	001-2624-90	RB501V-40	Q104	125-9017-92	UMD3N-TR	R140	119-1001-15	1/10W 10 ohm
D504	001-2627-90	SSA24	Q105	125-2027-91	DTC114EUA	R141	119-1031-15	1/10W 10k ohm
D505	001-0529-48	MA8091-H	Q106	125-2027-91	DTC114EUA	R143	119-2231-15	1/10W 22k ohm
D506	001-0516-90	MA111	Q107	125-2027-91	DTC114EUA	R144	119-2231-15	1/10W 22k ohm
D508	001-0529-48	MA8091-H	Q108	125-2027-91	DTC114EUA	R145	119-1001-15	1/10W 10 ohm
D509	001-2412-90	RR264M-400	Q109	192-5886-00	2SC5886	R146	119-1031-15	1/10W 10k ohm
D510	001-2015-00	RL253	Q110	125-2027-95	DTC143ZUA	R148	116-1091-15	1/4W 1 ohm
D511	001-0516-90	MA111	Q111	190-2060-00	2SA2060	R149	116-1221-15	1/4W 1.2k ohm
D512	001-0529-48	MA8091-H			(N-B not used)			(N-B not used)
D513	001-2412-90	RR264M-400	Q112	125-9017-92	UMD3N-TR	R150	116-3911-15	1/4W 390 ohm
D514	001-0516-90	MA111	Q201	192-4081-00	2SC4081	R151	119-1031-15	1/10W 10k ohm
D515	001-0529-34	MA8062-L	Q204	125-2027-91	DTC114EUA			(N-B not used)
D516	001-0516-90	MA111	Q205	125-0020-91	UNR5111	R152	119-0000-05	1/10W 0 ohm JW
D567	001-0516-90	MA111	Q206	198-3018-00	2SK3018	R153	119-1041-15	1/10W 100k ohm
D568	001-0516-90	MA111	Q207	198-3018-00	2SK3018	R162	119-0000-05	1/10W 0 ohm JW
D569	001-4301-68	HZU18B1	Q215	125-0020-96	UNR5110-Q,R,S	R165	119-1031-15	1/10W 10k ohm
D570	001-4301-68	HZU18B1	Q216	125-2026-91	UNR5211G	R166	119-1031-15	1/10W 10k ohm
D571	001-4301-68	HZU18B1	Q219	125-2027-95	DTC143ZUA	R167	119-1031-15	1/10W 10k ohm
D572	001-2412-90	RR264M-400	Q220	191-1197-50	2SB1197K Q,R	R168	119-1031-15	1/10W 10k ohm
IC101	051-6524-90	AK2301A-E1	Q222	125-9017-92	UMD3N-TR	R169	119-1031-15	1/10W 10k ohm
IC103	051-3034-90	NJM4558V	Q301	125-7007-90	Si5441BDC-TI-E3	R170	119-1031-15	1/10W 10k ohm
IC104	051-0352-91	TA78L05F	Q302	125-2027-91	DTC114EUA	R171	119-0000-05	1/10W 0 ohm JW
IC107	051-7255-08	SN74AHC1G66	Q303	125-2027-91	DTC114EUA	R172	119-0000-05	1/10W 0 ohm JW
		HDCKR	Q304	125-2027-91	DTC114EUA	R173	119-1531-15	1/10W 15k ohm
IC204	051-3340-00	LD1085P	Q305	125-2027-91	DTC114EUA	R174	119-2231-15	1/10W 22k ohm
IC205	051-3367-90	NJU7780U1-33-TE2	Q306	125-2027-91	DTC114EUA	R175	119-1021-15	1/10W 1k ohm
IC301	-----	SAF7730HV/N317/S1	Q307	125-2027-91	DTC114EUA	R176	119-3931-15	1/10W 39k ohm
IC302	051-3344-90	BD3930FP-E2	Q308	125-2027-91	DTC114EUA	R177	119-6821-15	1/10W 6.8k ohm
IC402	-----	M30876FJBGP	Q401	125-2027-91	DTC114EUA	R202	119-0000-05	1/10W 0 ohm JW
IC404	051-5417-38	R3112N271A-TR-FA	Q402	125-0020-91	UNR5111	R203	119-0000-05	1/10W 0 ohm JW
IC406	051-9425-90	BR24L64F-WTR	Q403	191-0709-00	2SB709A Q,R,S	R204	119-0000-05	1/10W 0 ohm JW
IC501	051-3019-90	NJM2060V	Q404	192-2712-00	2SC2712	R205	119-0000-05	1/10W 0 ohm JW
IC502	051-3372-90	LT1767EMS8E	Q501	125-9017-92	UMD3N-TR	R206	119-0000-05	1/10W 0 ohm JW
		#TRPBF	Q503	125-2027-91	DTC114EUA	R207	119-3011-15	1/10W 300 ohm
IC505	051-3034-90	NJM4558V	Q504	191-1197-50	2SB1197K Q,R	R208	119-3011-15	1/10W 300 ohm
IC506	051-5441-08	BD4828G-TR	Q506	125-2027-91	DTC114EUA	R210	119-1021-15	1/10W 1k ohm
IC507	051-3341-90	BD3931FP	Q507	191-1197-50	2SB1197K Q,R	R212	119-3331-15	1/10W 33k ohm
IC700	051-3019-90	NJM2060V	Q508	192-4081-00	2SC4081	R215	119-4731-15	1/10W 47k ohm
IC701	051-3019-90	NJM2060V	Q509	192-5886-00	2SC5886	R220	119-1041-15	1/10W 100k ohm
J201	074-1302-12	12P	Q515	193-1664-00	2SD1664	R224	119-4721-15	1/10W 4.7k ohm
J202	074-1237-69	19P	Q516	192-4116-51	2SC4116 G,L	R225	119-0000-05	1/10W 0 ohm JW
J204	074-1013-00	12P	Q517	191-1204-61	2SB1204 R,S,T	R227	119-4721-15	1/10W 4.7k ohm
J502	074-4009-20	20P	Q518	125-2027-91	DTC114EUA	R229	119-4721-15	1/10W 4.7k ohm
L105	010-2003-04	30uH	Q519	191-1197-50	2SB1197K Q,R	R233	119-4721-15	1/10W 4.7k ohm
L106	010-3104-54	600 ohm/100MHZ	Q520	192-4081-00	2SC4081	R243	119-1031-15	1/10W 10k ohm
L107	010-3104-54	600 ohm/100MHZ	Q521	192-4081-00	2SC4081	R244	119-6821-15	1/10W 6.8k ohm
L108	010-2198-50	0.15uH	Q522	125-2027-91	DTC114EUA	R245	119-4731-15	1/10W 47k ohm
L301	010-3104-54	600 ohm/100MHZ	R103	119-3321-15	1/10W 3.3k ohm	R248	116-2201-15	1/4W 22 ohm
L302	010-3104-54	600 ohm/100MHZ	R106	119-0000-05	1/10W 0 ohm JW	R249	032-0140-98	1/10W 330 ohm F
L303	010-3104-54	600 ohm/100MHZ	R109	119-3321-15	1/10W 3.3k ohm	R250	116-1221-15	1/4W 1.2k ohm
L304	010-3104-54	600 ohm/100MHZ	R111	119-3321-15	1/10W 3.3k ohm	R251	032-0140-93	1/10W 2k ohm F
L305	010-3104-54	600 ohm/100MHZ	R112	119-0000-05	1/10W 0 ohm JW	R252	119-1031-15	1/10W 10k ohm
L306	010-3104-54	600 ohm/100MHZ	R113	119-3321-15	1/10W 3.3k ohm	R301	119-1031-15	1/10W 10k ohm
L307	010-3104-54	600 ohm/100MHZ	R116	119-2741-15	1/10W 270k ohm	R302	119-1031-15	1/10W 10k ohm
L308	010-3104-54	600 ohm/100MHZ	R117	119-3331-15	1/10W 33k ohm	R303	119-2201-15	1/10W 22 ohm
L309	010-3104-54	600 ohm/100MHZ	R118	119-3931-15	1/10W 39k ohm	R304	032-0140-80	1/10W 18k ohm F
L310	010-3104-54	600 ohm/100MHZ	R121	119-3931-15	1/10W 39k ohm	R305	032-0140-80	1/10W 18k ohm F
L311	010-3104-54	600 ohm/100MHZ	R122	119-1031-15	1/10W 10k ohm	R306	032-0140-80	1/10W 18k ohm F
L312	010-3104-54	600 ohm/100MHZ	R123	119-1031-15	1/10W 10k ohm	R307	032-0140-80	1/10W 18k ohm F
L313	010-3104-54	600 ohm/100MHZ	R124	119-3931-15	1/10W 39k ohm	R311	119-0000-05	1/10W 0 ohm JW
L402	010-3406-54	2.2uH J	R125	119-1031-15	1/10W 10k ohm	R314	119-1011-15	1/10W 100 ohm
L403	010-3104-54	600 ohm/100MHZ	R126	119-1011-15	1/10W 100 ohm	R315	119-1031-15	1/10W 10k ohm
L501	010-3104-54	600 ohm/100MHZ	R127	119-4731-15	1/10W 47k ohm	R316	119-1021-15	1/10W 1k ohm
L503	010-3104-54	600 ohm/100MHZ	R128	119-4731-15	1/10W 47k ohm	R317	032-0140-50	1/10W 10k ohm F
L504	010-3074-51	5.4uH	R129	119-4731-15	1/10W 47k ohm	R318	119-3921-15	1/10W 3.9k ohm
L508	010-8028-00	520uH	R130	119-8221-15	1/10W 8.2k ohm	R319	032-0140-50	1/10W 10k ohm F
P101	076-3011-66	16P	R131	119-1011-15	1/10W 100 ohm	R320	119-3921-15	1/10W 3.9k ohm
P401	076-0478-59	9P	R132	119-1011-15	1/10W 100 ohm	R321	119-1031-15	1/10W 10k ohm
P402	076-3011-72	22P	R134	119-1031-15	1/10W 10k ohm	R322	119-0000-05	1/10W 0 ohm JW
			R135	119-2231-15	1/10W 22k ohm	R323	119-1031-15	1/10W 10k ohm
			R136	116-6891-15	1/4W 6.8 ohm	R324	119-1041-15	1/10W 100k ohm

REF No.	PART No.	DESCRIPTION	REF No.	PART No.	DESCRIPTION	REF No.	PART No.	DESCRIPTION
R325	119-1041-15	1/10W 100k ohm	R433	119-1031-15	1/10W 10k ohm (N-A/N-B Not used)	R530	032-0140-50	1/10W 10k ohm F
R326	119-1001-15	1/10W 10 ohm	R436	119-1021-15	1/10W 1k ohm	R531	032-0140-80	1/10W 18k ohm F
R327	119-3921-15	1/10W 3.9k ohm	R437	119-1021-15	1/10W 1k ohm	R533	119-1031-15	1/10W 10k ohm
R328	119-0000-05	1/10W 0 ohm JW	R440	119-4731-15	1/10W 47k ohm	R534	119-1031-15	1/10W 10k ohm
R329	119-1021-15	1/10W 1k ohm	R441	119-1021-15	1/10W 1k ohm	R535	032-0140-22	1/10W 68k ohm F
R330	119-3921-15	1/10W 3.9k ohm	R442	119-1031-15	1/10W 10k ohm	R536	119-1001-15	1/10W 10 ohm
R331	119-0000-05	1/10W 0 ohm JW	R443	119-4731-15	1/10W 47k ohm	R537	119-4721-15	1/10W 4.7k ohm
R332	032-0140-50	1/10W 10k ohm F	R444	119-4731-15	1/10W 47k ohm	R538	119-2221-15	1/10W 2.2k ohm
R334	032-0140-50	1/10W 10k ohm F	R445	119-0000-05	1/10W 0 ohm JW	R539	119-1041-15	1/10W 100k ohm
R336	032-0140-50	1/10W 10k ohm F	R446	119-4731-15	1/10W 47k ohm	R540	116-6811-15	1/4W 680 ohm
R337	032-0140-50	1/10W 10k ohm F	R447	119-1031-15	1/10W 10k ohm	R553	119-1031-15	1/10W 10k ohm
R338	119-1031-15	1/10W 10k ohm	R448	119-4731-15	1/10W 47k ohm	R554	119-1031-15	1/10W 10k ohm
R339	119-1031-15	1/10W 10k ohm	R449	119-1021-15	1/10W 1k ohm	R563	116-3911-15	1/4W 390 ohm
R340	032-0140-50	1/10W 10k ohm F	R450	119-4731-15	1/10W 47k ohm	R564	116-1221-15	1/4W 1.2k ohm
R341	032-0140-50	1/10W 10k ohm F	R451	119-4731-15	1/10W 47k ohm	R565	116-1221-15	1/4W 1.2k ohm
R342	119-1031-15	1/10W 10k ohm	R452	119-4731-15	1/10W 47k ohm	R566	119-1521-15	1/10W 1.5k ohm
R343	119-1031-15	1/10W 10k ohm	R453	119-4731-15	1/10W 47k ohm	R567	119-1031-15	1/10W 10k ohm
R344	119-1011-15	1/10W 100 ohm	R454	119-4731-15	1/10W 47k ohm	R568	116-1221-15	1/4W 1.2k ohm
R345	119-1011-15	1/10W 100 ohm	R455	119-2231-15	1/10W 22k ohm	R569	116-1221-15	1/4W 1.2k ohm
R346	119-0000-05	1/10W 0 ohm JW	R456	119-4731-15	1/10W 47k ohm	R570	119-1031-15	1/10W 10k ohm
R347	119-0000-05	1/10W 0 ohm JW	R458	119-1011-15	1/10W 100 ohm	R571	119-4721-15	1/10W 4.7k ohm
R348	119-0000-05	1/10W 0 ohm JW	R459	119-1011-15	1/10W 100 ohm	R572	119-1031-15	1/10W 10k ohm
R349	119-0000-05	1/10W 0 ohm JW	R460	119-4721-15	1/10W 4.7k ohm	R573	032-0148-50	1/10W 100k ohm D
R350	119-1031-15	1/10W 10k ohm	R461	119-4721-15	1/10W 4.7k ohm	R574	032-0140-16	1/10W 180k ohm F
R351	119-0000-05	1/10W 0 ohm JW	R464	119-2231-15	1/10W 22k ohm	R575	116-2721-15	1/4W 2.7k ohm
R352	119-4731-15	1/10W 47k ohm	R465	119-4731-15	1/10W 47k ohm	R576	116-1531-15	1/4W 15k ohm
R353	119-1021-15	1/10W 1k ohm	R468	119-1031-15	1/10W 10k ohm	R577	119-0000-05	1/10W 0 ohm JW
R354	119-1021-15	1/10W 1k ohm	R469	119-1031-15	1/10W 10k ohm	R578	119-2221-15	1/10W 2.2k ohm
R355	119-1021-15	1/10W 1k ohm	R470	119-4731-15	1/10W 47k ohm	R580	116-1531-15	1/4W 15k ohm
R356	119-1021-15	1/10W 1k ohm	R471	119-1241-15	1/10W 120k ohm	R581	119-1031-15	1/10W 10k ohm
R357	119-4731-15	1/10W 47k ohm	R472	119-3331-15	1/10W 33k ohm	R582	119-5611-15	1/10W 560 ohm
R358	119-1001-15	1/10W 10 ohm	R473	119-6801-15	1/10W 68 ohm	R583	116-4791-15	1/4W 4.7 ohm
R359	119-4731-15	1/10W 47k ohm	R474	119-2241-15	1/10W 220k ohm	R584	116-4791-15	1/4W 4.7 ohm
R360	119-4731-15	1/10W 47k ohm	R483	119-0000-05	1/10W 0 ohm JW	R585	119-1031-15	1/10W 10k ohm
R361	119-4731-15	1/10W 47k ohm	R484	119-0000-05	1/10W 0 ohm JW	R586	119-0000-05	1/10W 0 ohm JW
R362	119-4731-15	1/10W 47k ohm	R485	119-0000-05	1/10W 0 ohm JW	R587	119-2231-15	1/10W 22k ohm
R400	119-0000-05	1/10W 0 ohm JW	R488	119-0000-05	1/10W 0 ohm JW	R588	119-3321-15	1/10W 3.3k ohm
R401	119-1021-15	1/10W 1k ohm	R489	119-0000-05	1/10W 0 ohm JW	R590	119-0000-05	1/10W 0 ohm JW
R402	119-1021-15	1/10W 1k ohm	R490	119-0000-05	1/10W 0 ohm JW	R591	119-0000-05	1/10W 0 ohm JW
R403	119-1021-15	1/10W 1k ohm	R491	119-0000-05	1/10W 0 ohm JW	R592	119-0000-05	1/10W 0 ohm JW
R404	119-0000-05	1/10W 0 ohm JW	R492	119-0000-05	1/10W 0 ohm JW	R594	119-1051-15	1/10W 1M ohm
R405	119-1021-15	1/10W 1k ohm	R493	119-0000-05	1/10W 0 ohm JW	R714	119-3321-15	1/10W 3.3k ohm
R406	119-1021-15	1/10W 1k ohm	R494	119-0000-05	1/10W 0 ohm JW	R715	119-3321-15	1/10W 3.3k ohm
R407	119-1021-15	1/10W 1k ohm	R495	119-0000-05	1/10W 0 ohm JW	R716	119-2231-15	1/10W 22k ohm
R408	119-4721-15	1/10W 4.7k ohm	R497	119-0000-05	1/10W 0 ohm JW	R717	119-1531-15	1/10W 15k ohm
R409	119-4721-15	1/10W 4.7k ohm	R498	119-0000-05	1/10W 0 ohm JW	R718	117-3301-15	1/8W 33 ohm
R410	119-4731-15	1/10W 47k ohm	R499	119-0000-05	1/10W 0 ohm JW	R719	117-3301-15	1/8W 33 ohm
R411	119-3311-15	1/10W 330 ohm	R500	119-0000-05	1/10W 0 ohm JW	R720	119-1531-15	1/10W 15k ohm
R412	119-3311-15	1/10W 330 ohm	R501	116-8211-15	1/4W 820 ohm	R721	119-2231-15	1/10W 22k ohm
R413	119-4731-15	1/10W 47k ohm	R502	119-1031-15	1/10W 10k ohm	R722	119-5631-15	1/10W 56k ohm
R416	119-4731-15	1/10W 47k ohm	R503	119-1031-15	1/10W 10k ohm	R723	119-5631-15	1/10W 56k ohm
R417	119-4731-15	1/10W 47k ohm	R504	119-1031-15	1/10W 10k ohm	R724	119-1031-15	1/10W 10k ohm
R418	119-4711-15	1/10W 470 ohm (N-A/N-B Not used)	R505	119-1031-15	1/10W 10k ohm	R725	119-1031-15	1/10W 10k ohm
R419	119-4711-15	1/10W 470 ohm (N-A/N-B Not used)	R506	116-8211-15	1/4W 820 ohm	R726	119-2231-15	1/10W 22k ohm
R420	119-4711-15	1/10W 470 ohm (N-A/N-B Not used)	R507	119-1031-15	1/10W 10k ohm	R727	117-3301-15	1/8W 33 ohm
R421	119-4711-15	1/10W 470 ohm (N-A/N-B Not used)	R508	119-1031-15	1/10W 10k ohm	R728	117-3301-15	1/8W 33 ohm
R422	119-1011-15	1/10W 100 ohm	R509	119-1031-15	1/10W 10k ohm	R729	119-2231-15	1/10W 22k ohm
R423	119-1011-15	1/10W 100 ohm	R510	119-1031-15	1/10W 10k ohm	R734	119-3321-15	1/10W 3.3k ohm
R424	119-1011-15	1/10W 100 ohm	R511	116-8211-15	1/4W 820 ohm	R735	119-3321-15	1/10W 3.3k ohm
R425	119-1011-15	1/10W 100 ohm	R512	119-1031-15	1/10W 10k ohm	R736	119-2231-15	1/10W 22k ohm
R426	119-1011-15	1/10W 100 ohm	R513	119-1031-15	1/10W 10k ohm	R737	119-1531-15	1/10W 15k ohm
R427	119-1011-15	1/10W 100 ohm	R514	119-1051-15	1/10W 1M ohm	R738	117-3301-15	1/8W 33 ohm
R428	119-1031-15	1/10W 10k ohm	R515	119-1051-15	1/10W 1M ohm	R739	117-3301-15	1/8W 33 ohm
R429	119-1031-15	1/10W 10k ohm	R516	119-0000-05	1/10W 0 ohm JW	R740	119-1531-15	1/10W 15k ohm
R430	119-1031-15	1/10W 10k ohm (N-A/N-B Not used)	R517	119-1051-15	1/10W 1M ohm	R741	119-2231-15	1/10W 22k ohm
R431	119-1031-15	1/10W 10k ohm (N-A/N-B Not used)	R518	119-1051-15	1/10W 1M ohm	R742	119-5631-15	1/10W 56k ohm
R432	119-1031-15	1/10W 10k ohm (N-A/N-B Not used)	R519	119-1031-15	1/10W 10k ohm	R743	119-5631-15	1/10W 56k ohm
			R520	119-1031-15	1/10W 10k ohm	R744	119-1031-15	1/10W 10k ohm
			R521	119-1031-15	1/10W 10k ohm	R745	119-1031-15	1/10W 10k ohm
			R522	119-1031-15	1/10W 10k ohm	R746	119-2231-15	1/10W 22k ohm
			R523	119-1031-15	1/10W 10k ohm	R747	117-3301-15	1/8W 33 ohm
			R524	119-1031-15	1/10W 10k ohm	R748	117-3301-15	1/8W 33 ohm
			R525	119-1031-15	1/10W 10k ohm	R749	119-2231-15	1/10W 22k ohm
			R526	119-1031-15	1/10W 10k ohm	R943	119-1021-15	1/10W 1k ohm

REF No.	PART No.	DESCRIPTION
SUP102	060-0122-90	DSP-201M-S00B
TH101	002-0229-00	PTH8L05BAIR8M1B (N-B not used)
TH102	002-0229-00	PTH8L05BAIR8M1B
TM101	073-0762-90	TERMINAL

REF No.	PART No.	DESCRIPTION
TM102	073-0762-90	TERMINAL
TM201	073-0762-90	TERMINAL
TM501	073-0762-90	TERMINAL
TM502	073-0762-90	TERMINAL
X301	061-3537-90	41.6MHZ

REF No.	PART No.	DESCRIPTION
X401	061-3541-90	10.00MHZ
PWB	039-3250-00	PWB(WITHOUT COMPONENT)

### Switch PWB(B2) section

Note) Some parts depend on each model. The model name is specified in the description.  
( N-A:PN-3125N-A, N-B:PN-3125N-B, T-A:PP-3125T-A, T-B:PP-3125T-B)

REF No.	PART No.	DESCRIPTION
ANT902	060-8062-50	CERAMIC-ANT
C802	168-1042-78	16V 0.1uF K
C803	168-1042-78	16V 0.1uF K
C804	168-4732-78	0.047uF K
C805	168-4732-78	0.047uF K
C806	168-4732-78	0.047uF K
C807	166-2211-50	220pF CH
C901	168-1042-78	16V 0.1uF K
C902	166-1011-50	100pF CH
C903	168-1042-78	16V 0.1uF K
C904	166-1011-50	100pF CH
C905	166-1011-50	100pF CH
C906	042-0423-97	16V 10uF
C907	168-1042-78	16V 0.1uF K
C908	168-1042-78	16V 0.1uF K
C909	178-3312-78	330pF
CCT801	050-0145-52	1/16W 1kohm x4
D801	001-0529-32	MA8056-M
D802	001-0529-32	MA8056-M
D803	001-0529-32	MA8056-M
D804	001-0529-32	MA8056-M
D805	001-0529-32	MA8056-M
D806	001-7109-90	SML-311DTT86
D807	001-7109-90	ORG
D808	001-7109-90	SML-311DTT86
D809	001-7109-90	ORG
D810	001-7109-90	SML-311DTT86
D811	001-7109-90	ORG
D812	001-7109-90	SML-311DTT86
D813	001-7109-90	ORG
D814	001-7109-90	SML-311DTT86
D815	001-7109-90	ORG
D816	001-7109-90	SML-311DTT86
D817	001-7109-90	ORG
D818	001-7109-90	SML-311DTT86
D819	001-7109-90	ORG
D820	001-7109-90	SML-311DTT86
D821	001-7109-90	ORG
D822	001-7109-90	SML-311DTT86
D823	001-7109-90	ORG
D824	001-7109-90	SML-311DTT86
D830	001-7109-90	ORG
D831	001-7109-90	SML-311DTT86

REF No.	PART No.	DESCRIPTION
D832	001-7109-90	SML-311DTT86
D833	001-7109-90	ORG
D834	001-7109-90	SML-311DTT86
D835	001-7109-90	ORG
D836	001-7109-90	SML-311DTT86
D837	001-7109-90	ORG
D838	001-7109-90	SML-311DTT86
D839	001-7109-90	ORG
D846	001-7109-90	SML-311DTT86
D847	001-7109-90	ORG
D848	001-7109-90	SML-311DTT86
D849	001-7109-90	ORG
D850	001-7109-90	SML-311DTT86
D851	001-7109-90	ORG
D852	001-7109-90	SML-311DTT86
D853	001-7109-90	ORG
D855	001-7109-90	SML-311DTT86
D856	001-7109-90	ORG
D857	001-7109-90	SML-311DTT86
D858	001-7109-90	ORG
D859	001-7109-90	SML-311DTT86
D860	001-7109-90	ORG
D861	001-7109-90	SML-311DTT86
D862	001-7109-90	ORG
D864	001-7109-90	SML-311DTT86
D865	001-7109-90	ORG
D866	001-7109-90	SML-311DTT86
D867	001-7109-90	ORG
D869	001-7109-90	SML-311DTT86
D870	001-7109-90	ORG
D871	001-2412-90	RR264M-400
IC801	051-6075-00	LC75816W-8722-E
IC901	060-8079-90	UGZZ5-601D
J801	074-3013-72	22P

REF No.	PART No.	DESCRIPTION
J901	074-3013-66	16P
L901	010-3104-54	600 ohm/100MHZ
L902	010-3104-54	600 ohm/100MHZ
L903	010-3104-54	600 ohm/100MHZ
L904	010-3104-54	600 ohm/100MHZ
L906	010-3104-54	600 ohm/100MHZ
L907	010-3104-54	600 ohm/100MHZ
L909	010-3104-54	600 ohm/100MHZ
L910	010-3104-54	600 ohm/100MHZ
L911	010-3104-54	600 ohm/100MHZ
L912	010-3104-54	600 ohm/100MHZ
LCD801	379-1392-52	INDICATOR(LCD) (N-A/N-B)
LCD801	379-1392-50	INDICATOR(LCD) (T-A/T-B)
R801	119-0000-05	1/10W 0 ohm JW
R802	119-3331-15	1/10W 33k ohm
R803	119-1021-15	1/10W 1k ohm
R804	116-1821-15	1/4W 1.8k ohm
R805	116-1821-15	1/4W 1.8k ohm
R806	116-1821-15	1/4W 1.8k ohm
R807	116-1821-15	1/4W 1.8k ohm
R808	116-1821-15	1/4W 1.8k ohm
R809	116-2421-15	1/4W 2.4k ohm
R810	116-1821-15	1/4W 1.8k ohm
R811	116-2421-15	1/4W 2.4k ohm
R812	116-2221-15	1/4W 2.2k ohm
R813	116-2221-15	1/4W 2.2k ohm
R814	116-2221-15	1/4W 2.2k ohm
R815	116-1221-15	1/4W 1.2k ohm
R816	116-1221-15	1/4W 1.2k ohm
R817	119-1021-15	1/10W 1k ohm
R819	116-1521-15	1/4W 1.5k ohm
R822	119-1621-15	1/10W 1.6k ohm
R823	116-2221-15	1/4W 2.2k ohm
R824	119-1621-15	1/10W 1.6k ohm
R825	116-2221-15	1/4W 2.2k ohm
R826	119-1621-15	1/10W 1.6k ohm
R827	116-1821-15	1/4W 1.8k ohm
R828	119-1621-15	1/10W 1.6k ohm
R829	116-1821-15	1/4W 1.8k ohm
R830	119-1621-15	1/10W 1.6k ohm
R831	116-2221-15	1/4W 2.2k ohm
R832	119-1621-15	1/10W 1.6k ohm
R833	119-1021-15	1/10W 1k ohm
R905	119-2711-15	1/10W 270 ohm
R909	119-1031-15	1/10W 10k ohm
R914	119-5631-15	1/10W 56k ohm
R916	119-1821-15	1/10W 1.8k ohm
R917	119-2711-15	1/10W 270 ohm
R918	119-1011-15	1/10W 100 ohm
R919	119-1011-15	1/10W 100 ohm
S801	016-7004-00	ROTARY SWITCH
S802	013-6201-52	SKPMAP010
S803	013-6202-52	SKPMBJE010
S804	013-6202-52	SKPMBJE010
S807	013-6202-52	SKPMBJE010
S808	013-6201-52	SKPMAP010
S809	013-6201-52	SKPMAP010
S810	013-6202-52	SKPMBJE010
S811	013-6202-52	SKPMBJE010
S812	013-6202-52	SKPMBJE010
S813	013-6201-52	SKPMAP010
S814	013-6201-52	SKPMAP010

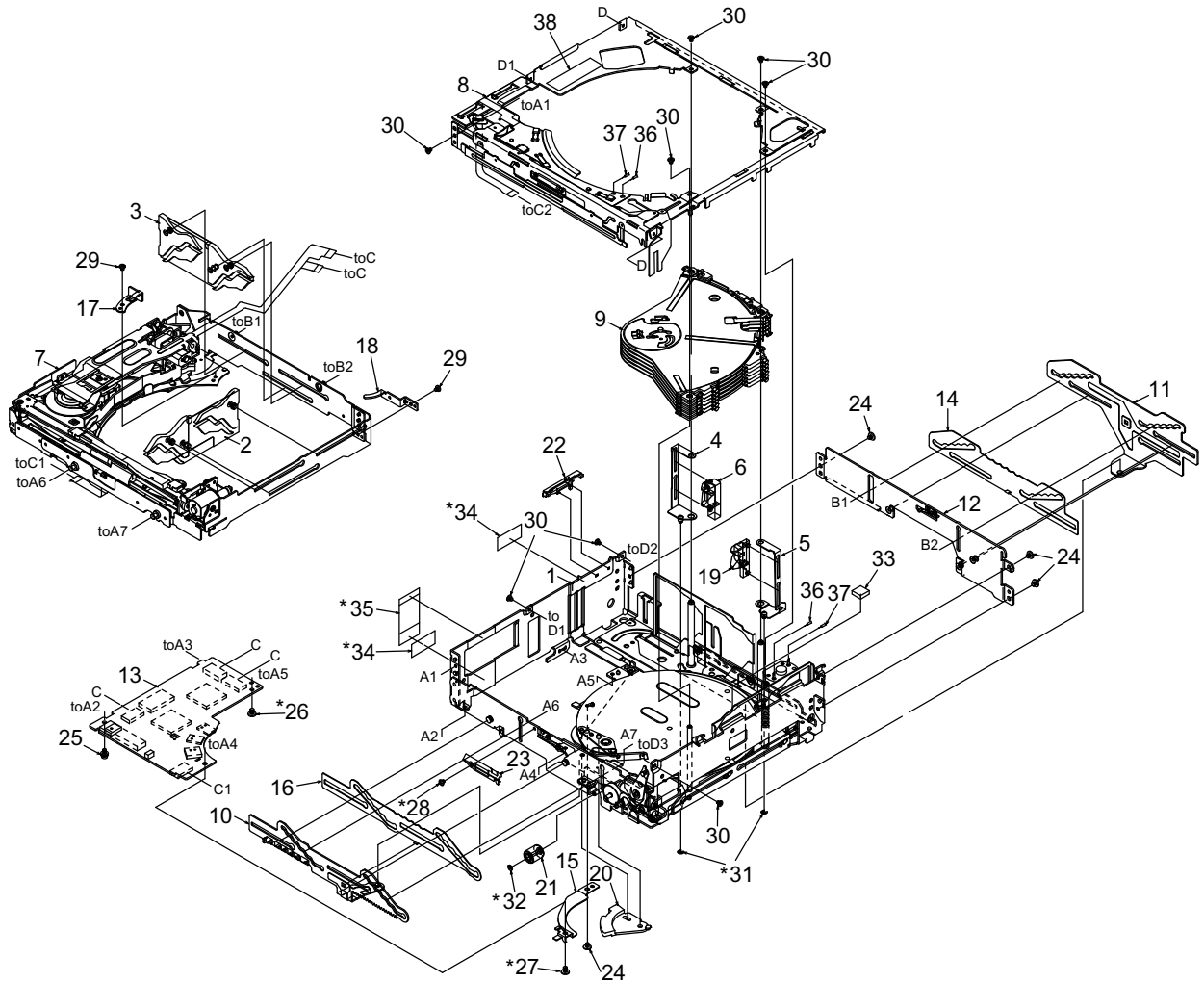
REF No.	PART No.	DESCRIPTION
S815	013-6202-52	SKPMBJE010
S816	013-6202-52	SKPMBJE010
S818	013-6201-52	SKPMAP010
S819	013-6201-52	SKPMAP010
S820	013-6201-52	SKPMAP010
S821	013-6202-52	SKPMBJE010
S822	013-6201-52	SKPMAP010

REF No.	PART No.	DESCRIPTION
S823	013-6201-52	SKPMAP010
S824	013-6201-52	SKPMAP010
S825	013-6201-52	SKPMAP010
S826	013-6201-52	SKPMAP010
S827	013-6201-52	SKPMAP010
S828	013-6201-52	SKPMAP010
TM901	073-0778-90	TERMINAL

REF No.	PART No.	DESCRIPTION
TM902	073-0778-90	TERMINAL
TM903	073-0778-90	TERMINAL
TM904	073-0778-90	TERMINAL
PWB	039-3472-10	PWB(WITHOUT COMPONENT)

# EXPLODED VIEW/PARTS LIST

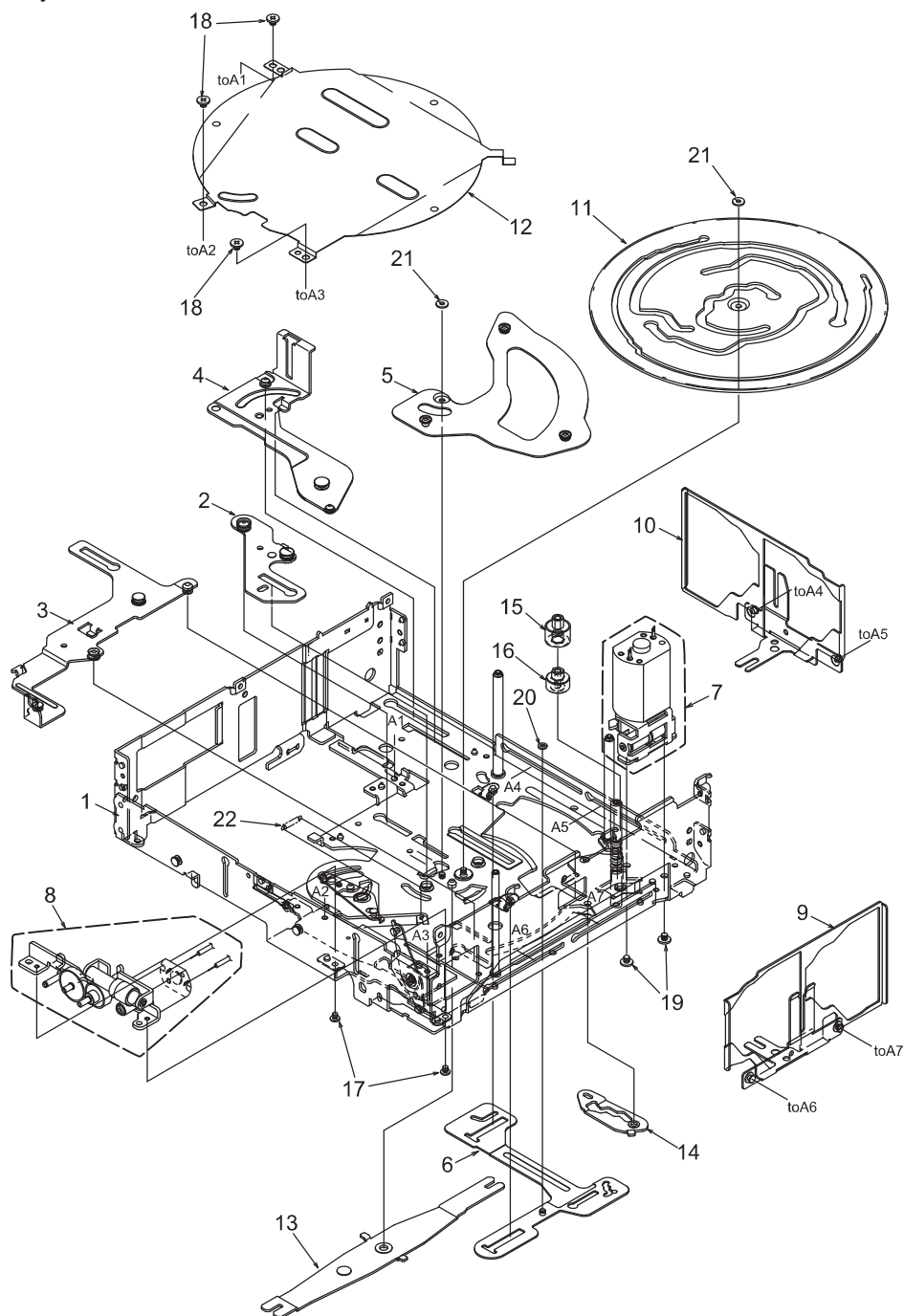
## Main section



\* Do not reuse the following parts.  
(No.26,27,28,32,31,34,35)

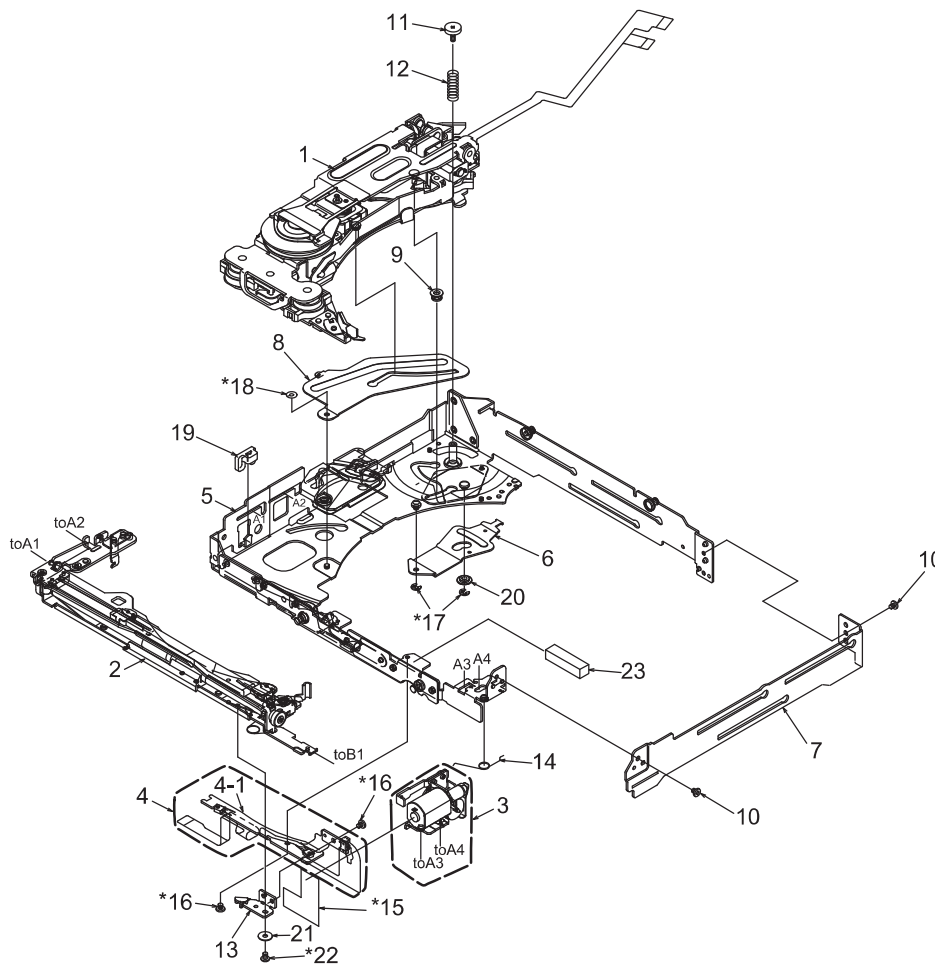
NO.	PART NO.	DESCRIPTION	Q'TY	NO.	PART NO.	DESCRIPTION	Q'TY
1	-----	LOWER UNIT ASSY	1	20	621-1812-20	SW LINK	1
2	HBS-617-100	KUSABI-ASSY-S	1	21	621-1765-20	UD-GEAR-D	1
3	HBS-618-100	KUSABI-ASSY-R	1	22	621-1715-20	FPC-STOPPER	1
4	966-1846-20	DS-SP-ASSY L	1	23	621-1763-20	LOADING GUIDE B	1
5	966-1847-21	DS-SP ASSY R	1	24	716-1850-01	SCREW(M2.0x2)	4
6	966-1898-21	DISC STP-ASSY L	1	25	716-3598-00	SCREW(M2.0x4)	1
7	966-1899-20	DRIVE-CH UNIT	1	26	716-3599-00	SCREW(M2.0x2 sealock)	1
8	966-1840-23	UPPER UNIT ASSY	1	27	716-3600-00	SCREW(M2.0x3 sealock)	1
9	HBS-602-100	DISCHOLDER UNIT	1	28	716-3601-00	SCREW(M1.7x2 sealock)	1
10	966-1771-21	SLIDE-P-ASSY	1	29	716-3450-00	SCREW(M1.7x2.0)	2
11	966-1814-21	SLIDE-P-ASSY-R	1	30	716-3451-01	SCREW(M1.7x2.5)	8
12	966-1874-20	REAR-P-ASSY R	1	31	744-0045-01	C-RING	2
13	HBS-658-100	CD PWB ASSY	1	32	746-0761-00	WASHER	1
14	620-1662-21	GAP PLATE R	1	33	345-5824-00	RUBBER PART	1
15	620-1640-20	SW-H-PLATE	1	34	347-8230-00	PROTECT SHEET	2
16	620-1778-21	GAP PLATE F	1	35	347-8219-00	FPC-SHEET N	1
17	620-1685-21	DS-PLATE L	1	36	800-4921-60	VINYL-COAT-WIRE	1
18	620-1686-20	DS-PLATE R	1	37	802-4921-60	VINYL-COAT-WIRE	1
19	621-1819-20	DISC STOPPER R	1	38	293-8575-00	MECH LABEL	1

Lower unit assy section



NO.	PART NO.	DESCRIPTION	Q'TY	NO.	PART NO.	DESCRIPTION	Q'TY
1	966-1834-24	LOWER-C-ASSY	1	12	620-1624-24	GEAR COVER	1
2	966-0658-22	DH-SP-ASSY	1	13	620-1848-21	UD LINK	1
3	966-1836-22	TATSU-P-ASSY	1	14	620-1869-20	DS-SHIFT LINK	1
4	966-1832-20	D-SHT PL-B-ASSY	1	15	621-1811-21	M-GEAR B	1
5	966-0659-22	DH-SP-ASSY B	1	16	621-0733-20	M-GEAR C	1
6	966-1835-24	DS-SP-ASSY	1	17	716-3451-01	SCREW(M1.7x2.5)	2
7	HBS-622-100	M-MTR SUB ASSY	1	18	716-1850-01	SCREW(M2.0x2.0)	3
8	HBS-616-100	UD-MOTOR-ASSY	1	19	716-1851-03	SCREW(M2.0x3.0)	2
9	966-1872-20	INITIAL ASSY S	1	20	746-0870-00	WASHER	1
10	966-1873-20	INITIAL ASSY R	1	21	746-0768-00	WASHER	2
11	620-1623-24	CAM GEAR	1	22	750-6756-21	SW-L-SPRING	1

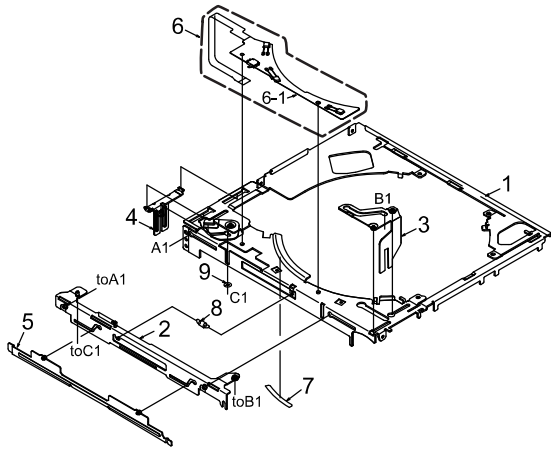
# Drive-CH unit section



\* Do not reuse the following parts.  
(No.15,16,17,18,22)

NO.	PART NO.	DESCRIPTION	Q'TY	NO.	PART NO.	DESCRIPTION	Q'TY
1	HBS-656-100	N-DRIVE UNIT	1	12	750-6852-20	DRIVE SPRING A	1
2	HBS-612-100	LOADING-U-ASSY	1	13	620-1831-21	S-PWB PLATE	1
3	HBS-615-100	LO-MOTOR-S-ASSY	1	14	750-6754-20	LO-ES-SPRING B	1
4	HBS-614-100	L-SEN-FPC-ASSY	1	15	345-5424-01	SEN-FPC GUIDE	1
4-1	-----	SENSOR-L-FPC	1	16	716-3601-00	SCREW(M1.7x2 sealock)	2
5	966-1828-22	DRIVE-CH A-ASSY	1	17	743-1500-1B	E-RING	2
6	620-1838-21	D-SHIFT LINK A	1	18	746-0870-00	WASHER	1
7	620-1837-20	DRIVE CHASSIS B	1	19	621-1807-00	RUBBER PART	1
8	620-1836-20	DR-SUPPORT-PL	1	20	622-1850-20	D-SHIFT ROLLERE	1
9	622-1743-21	D-SHIFT ROLLER B	1	21	347-8392-00	FPC WASHER	1
10	716-3450-00	SCREW(M1.7x2)	2	22	716-3451-02	SCREW(M1.7x2.5 sealock)	1
11	716-3603-00	SCREW(M1.7x5)	1	23	345-2568-01	RUBBER PART	1

## Upper unit assy section



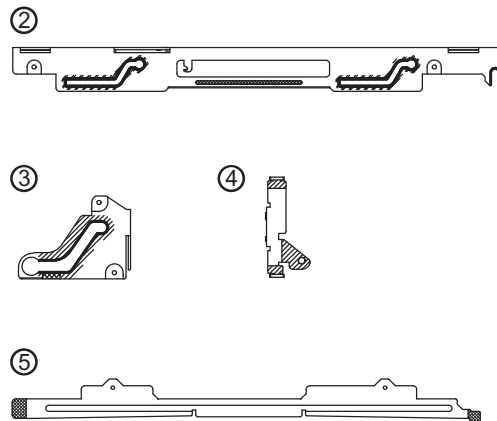
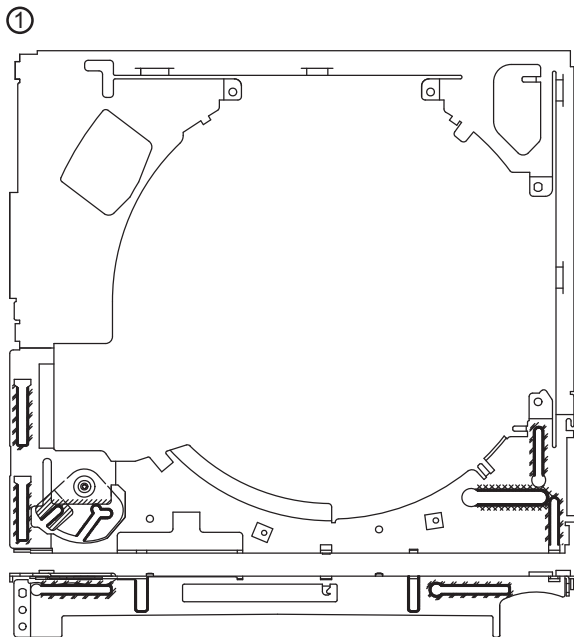
\* Do not reuse the following parts.  
(No.6,7,9)

NO.	PART NO.	DESCRIPTION	Q'TY
1	966-1823-21	UPPER-CHA-ASSY	1
2	966-1824-20	LO-SHIFT A ASSY	1
3	966-1791-20	LO-SHIFT B ASSY	1
4	966-1825-20	LO-SHIFT C ASSY	1
5	966-1826-20	SHUTTER ASSY	1
6	HBS-613-100	U-SEN-FPC-ASSY	1
6-1	-----	SENSOR-U-FPC	1
7	347-8216-00	RATTLE SHEET	1
8	750-6850-21	SHUTTER SPRING	1
9	746-0870-00	WASHER	1

### [Grease Point]

\* Grease : SANKOL FG-87HSR

	Put grease on the surface	
	Put grease on the reverse side	
	Put grease on the both sides	
	Put grease on the edge	



# ELECTRICAL PARTS LIST

## CD PWB(BM1) section

\* The parts of the same reference number are alternative

REF No.	PART No.	DESCRIPTION	REF No.	PART No.	DESCRIPTION	REF No.	PART No.	DESCRIPTION
C1	168-1052-78	16V 1uF K	C75	168-1042-78	16V 0.1uF K	R13	119-1011-15	1/10W 100 ohm
C3	168-1042-78	16V 0.1uF K	C76	168-5622-55	5600pF K	R14	119-2231-15	1/10W 22k ohm
C4	043-0559-90	6.3V 22uF	C77	168-1032-55	0.01uF K	R15	119-8231-15	1/10W 82k ohm
C5	168-1032-55	0.01uF K	C79	166-1501-50	15pF CH	R16	119-1041-15	1/10W 100k ohm
C6	042-1702-90	6.3V 100uF	C80	166-1501-50	15pF CH	R17	119-1041-15	1/10W 100k ohm
C7	168-1052-78	16V 1uF K	C81	168-3332-78	0.033uF K	R18	119-1041-15	1/10W 100k ohm
C9	168-1052-78	16V 1uF K	C101	043-0563-90	16V 47uF	R19	119-1041-15	1/10W 100k ohm
C11	168-1052-78	16V 1uF K	CCT1	050-0145-59	1/16W 22 ohm x4	R20	119-1041-15	1/10W 100k ohm
C12	042-0671-01	10V 47uF TA	CCT2	050-0145-54	1/16W 47k ohm x4	R21	119-2221-15	1/10W 2.2k ohm
C13	168-1052-78	16V 1uF K	CCT3	050-0145-54	1/16W 47k ohm x4	R22	119-4711-15	1/10W 470 ohm
C14	168-1042-78	16V 0.1uF K	CCT4	050-0145-55	1/16W 10k ohm x4	R23	119-1051-15	1/10W 1M ohm
C15	168-1052-78	16V 1uF K	CCT5	050-0140-55	1/32W 2.2k ohmx4J	R24	119-2211-15	1/10W 220 ohm
C16	043-0559-90	6.3V 22uF	D1	001-4301-14	HZU 3.0B1	R25	119-2211-15	1/10W 220 ohm
C17	168-1032-55	0.01uF K	D1	001-0529-14	MA8030-L	R26	119-1041-15	1/10W 100k ohm
C18	168-1052-78	16V 1uF K	D2	001-0367-91	1SS226	R28	119-1041-15	1/10W 100k ohm
C19	043-0559-90	6.3V 22uF	D3	001-4301-13	HZU 2.7B2	R29	119-1041-15	1/10W 100k ohm
C20	168-1042-78	16V 0.1uF K	D3	001-0529-13	MA8027H-TX	R30	119-4701-15	1/10W 47 ohm
C21	168-1032-55	0.01uF K	D4	001-4301-18	HZU 3.6B1	R31	119-2201-15	1/10W 22 ohm
C23	043-0559-90	6.3V 22uF	D4	001-0529-18	MA8036-L	R33	119-2211-15	1/10W 220 ohm
C24	043-0559-90	6.3V 22uF	D5	001-2612-90	RB520S-30	R35	119-1051-15	1/10W 1M ohm
C25	168-4732-78	0.047uF K	D6	001-2612-90	RB520S-30	R36	119-4721-15	1/10W 4.7k ohm
C26	166-4711-50	470pF CH	D7	001-9210-50	AVR- M1608C270MTAAD	R37	119-4731-15	1/10W 47k ohm
C28	168-4732-78	0.047uF K	D8	001-9210-50	AVR- M1608C270MTAAD	R38	119-2231-15	1/10W 22k ohm
C29	166-4711-50	470pF CH	IC2	052-5071-32	TMP91CY22IFG- 7BH6	R39	119-1041-15	1/10W 100k ohm
C30	166-1007-50	10pF CH	IC3	051-6733-30	TC94A70FG-010	R40	119-4721-15	1/10W 4.7k ohm
C31	166-1007-50	10pF CH	IC4	051-6060-08	BD7961FM-E2	R41	119-4731-15	1/10W 47k ohm
C32	168-1042-78	16V 0.1uF K	IC5	051-5445-08	BD5227G-TR	R43	119-4731-15	1/10W 47k ohm
C33	168-2222-55	2200pF K	IC8	051-9402-78	BR93L56RFVM-W	R44	119-2201-15	1/10W 22 ohm
C34	168-1042-78	16V 0.1uF K	IC9	051-6072-08	BD7931FE2	R45	119-1511-15	1/10W 150 ohm
C35	168-1042-78	16V 0.1uF K	IC10	051-5833-00	GP1S093HCZ	R46	119-4721-15	1/10W 4.7k ohm
C36	168-1042-78	16V 0.1uF K	IC11	051-3392-90	S-1323B15NB- N8ATFG	R48	119-1041-15	1/10W 100k ohm
C37	168-6822-55	6800pF K	J1	074-1237-69	19P	R49	119-0000-05	1/10W 0 ohm JW
C39	168-1042-78	16V 0.1uF K	J2	074-1201-65	15P	R50	119-2211-15	1/10W 220 ohm
C40	168-3332-78	0.033uF K	J3	074-1138-56	6P	R51	119-0000-05	1/10W 0 ohm JW
C41	168-1042-78	16V 0.1uF K	J4	074-1100-61	11P	R52	119-1041-15	1/10W 100k ohm
C42	168-1042-78	16V 0.1uF K	J5	074-1201-61	11P	R53	119-5621-15	1/10W 5.6k ohm
C43	168-1042-78	16V 0.1uF K	Q1	060-0252-01	PT4850F	R55	119-3341-15	1/10W 330k ohm
C45	168-1042-78	16V 0.1uF K	Q2	125-0021-91	DTA114EUA	R56	119-4731-15	1/10W 47k ohm
C46	168-1042-78	16V 0.1uF K	Q3	198-3018-00	2SK3018	R57	119-2231-15	1/10W 22k ohm
C48	168-1042-78	16V 0.1uF K	Q4	190-2060-00	2SA2060	R58	119-0000-05	1/10W 0 ohm JW
C49	168-1042-78	16V 0.1uF K	Q8	190-2060-00	2SA2060	R59	119-1511-15	1/10W 150 ohm
C50	168-1042-78	16V 0.1uF K	Q9	125-9026-90	IMF29	R60	119-4731-15	1/10W 47k ohm
C51	168-1042-78	16V 0.1uF K	Q10	125-2027-91	DTC114EUA	R61	119-1041-15	1/10W 100k ohm
C52	168-5622-55	5600pF K	Q11	125-0021-91	DTA114EUA	R62	119-1041-15	1/10W 100k ohm
C53	168-1042-78	16V 0.1uF K	Q12	125-2027-91	DTC114EUA	R63	119-1041-15	1/10W 100k ohm
C54	166-6801-50	68pF CH	Q13	125-9026-90	IMF29	R64	119-1011-15	1/10W 100 ohm
C55	168-1532-55	0.015uF K	R1	119-6811-15	1/10W 680 ohm	R65	119-1041-15	1/10W 100k ohm
C56	168-1042-78	16V 0.1uF K	R2	119-6811-15	1/10W 680 ohm	R66	117-5611-15	1/8W 560 ohm
C57	168-1032-55	0.01uF K	R3	032-0163-91	1/2W 10 ohm	R67	117-7511-15	1/8W 750 ohm
C58	168-1042-78	16V 0.1uF K	R4	032-0163-91	1/2W 10 ohm	R68	117-7511-15	1/8W 750 ohm
C59	168-1042-78	16V 0.1uF K	R5	119-2231-15	1/10W 22k ohm	R69	119-1041-15	1/10W 100k ohm
C60	168-1522-55	1500pF K	R6	116-1001-15	1/4W 10 ohm	R81	116-1591-15	1/4W 1.5 ohm
C61	168-3322-55	3300pF K	R7	119-1021-15	1/10W 1k ohm	R201	119-0000-05	1/10W 0 ohm JW
C62	168-1032-55	0.01uF K	R8	116-1591-15	1/4W 1.5 ohm	R212	119-1041-15	1/10W 100k ohm
C64	168-1042-78	16V 0.1uF K	R9	119-2231-15	1/10W 22k ohm	S1	013-7416-50	SPVL110200
C65	168-1032-55	0.01uF K	R10	119-4711-15	1/10W 470 ohm	S2	013-7416-50	SPVL110200
C67	168-1032-55	0.01uF K	R11	119-2211-15	1/10W 220 ohm	S3	013-7412-50	SPVG21
C69	168-1532-55	0.015uF K	R12	119-6811-15	1/10W 680 ohm	S4	013-7415-50	SPVG110400
C70	166-4701-50	47pF CH				X1	061-3534-90	16.92MHz
C71	168-1042-78	16V 0.1uF K				X3	060-1545-90	20MHz
C72	168-1042-78	16V 0.1uF K				PWB	039-3026-20	PWB(WITHOUT COMPONENT)
C74	166-6097-50	6pF CH						

### Sensor-L-PFC(BM2) section

REF No.	PART No.	DESCRIPTION	REF No.	PART No.	DESCRIPTION	REF No.	PART No.	DESCRIPTION
PT1	060-0252-01	PT14850F	PT3	051-5833-00	GP1S093HCZ	PWB	039-3003-20	PWB(WITHOUT COMPONENTS)
PT2	060-0252-01	PT14850F						

### Sensor-U-PFC(BM3) section

REF No.	PART No.	DESCRIPTION	REF No.	PART No.	DESCRIPTION	REF No.	PART No.	DESCRIPTION
LED1	001-7077-00	GL4804	LED3	001-7042-00	GL4800	PWB	039-3004-20	PWB(WITHOUT COMPONENTS)
LED2	001-7042-00	GL4800	S5	013-7417-50	ABC1122P161			