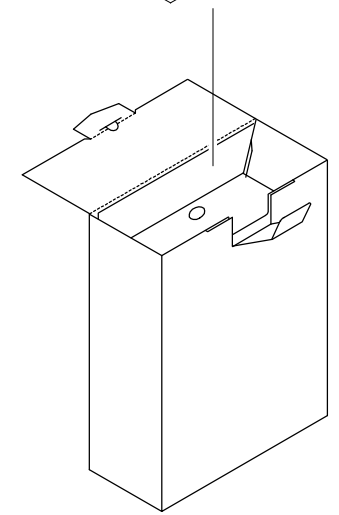
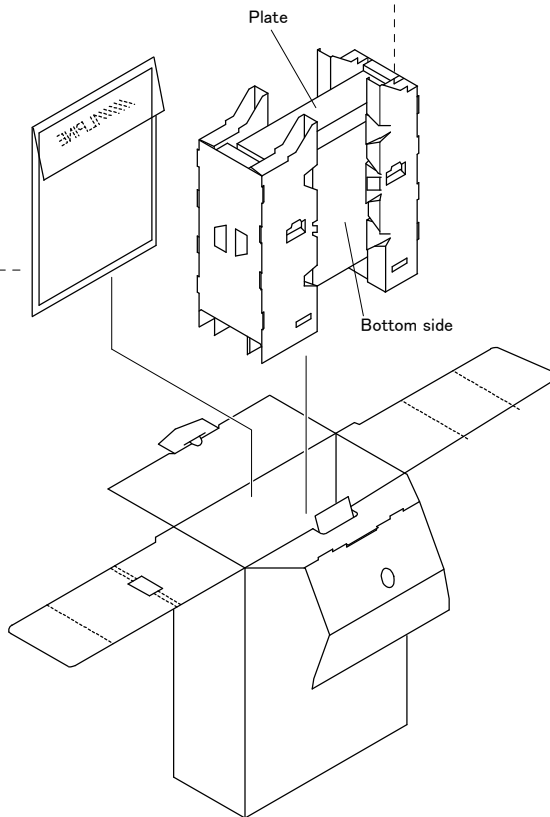
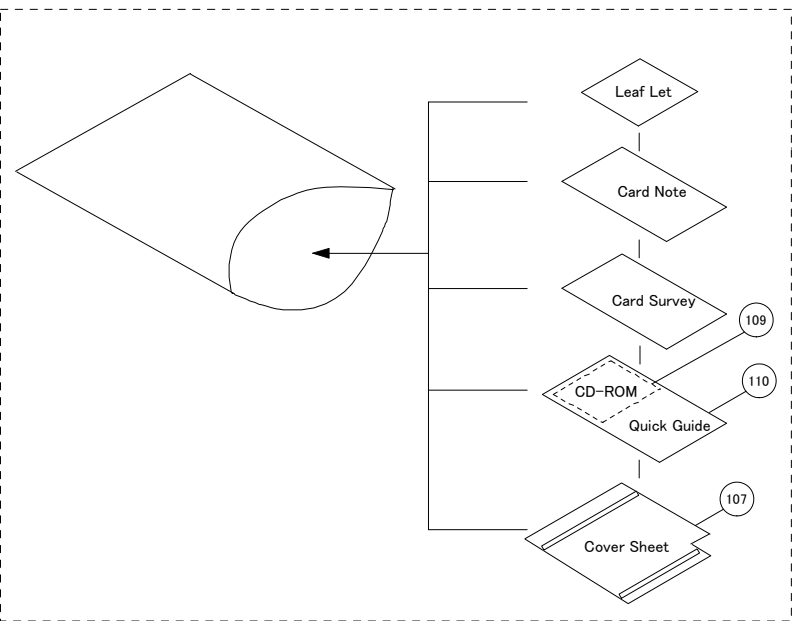
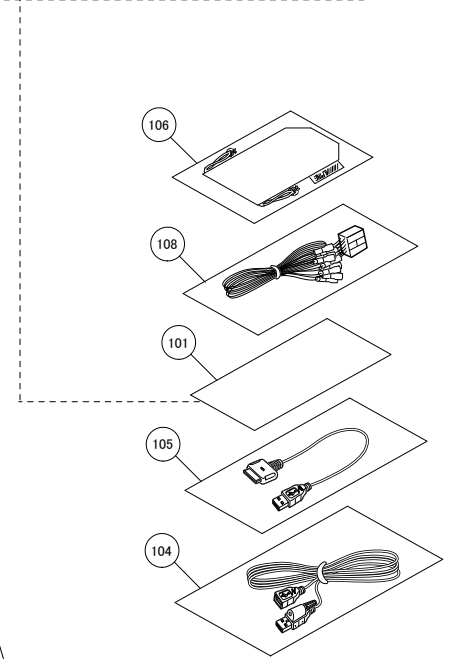
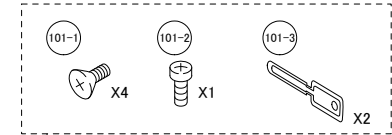
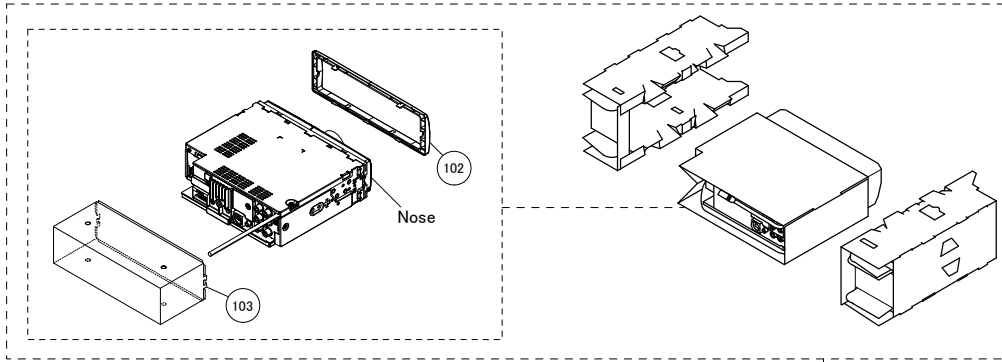


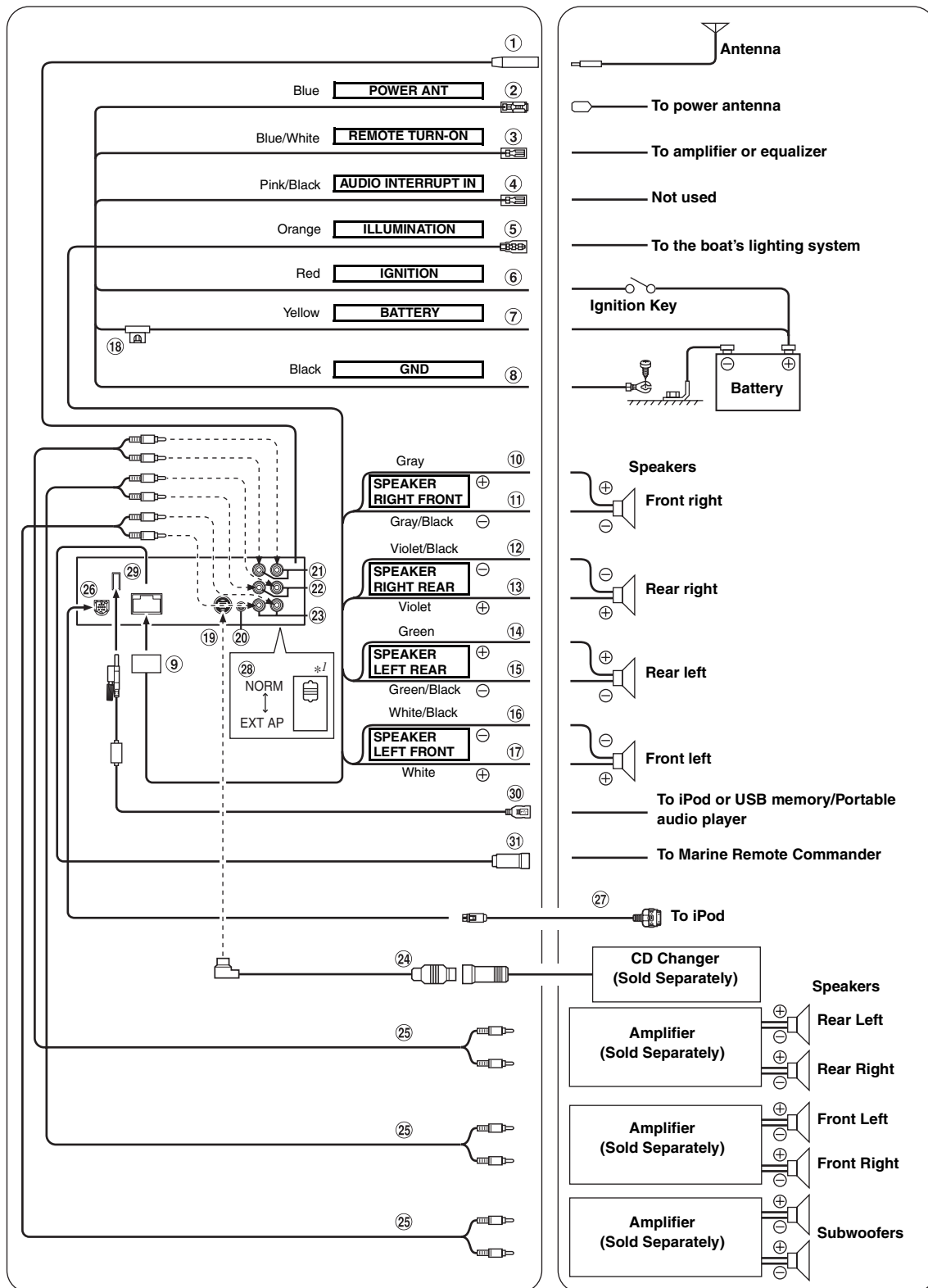
Packing Method View



MODEL	Symbol No.	Parts No.	Description
	101-1	03S60820Y16	SCR,MCH 5X8 ZN A
	101-2	03S60824Y01	SCR,WEV 1.7X4 ZN A
	101-3	07-01964Z01	BKT,RELEASE
	102	33C04102K06	FACE,PLATE
	103	15-01970Z01	CASE,INNER
	104	09-09243Z01	ASSY,Z0607R
	105	09-09244Z01	ASSY,Z0617R
	106	15-09847Z01	CARRYING,CASE
	107	14-13678Z01	INS,COVER TOP
	108	09-09395Z01	ASSY,ANIC-0032-01A
	109	68-10334Z11	O/M-CDROM X100M
	110	68-13530Z01	O/M-QRG-X100M AOTA

System Connection

Connections

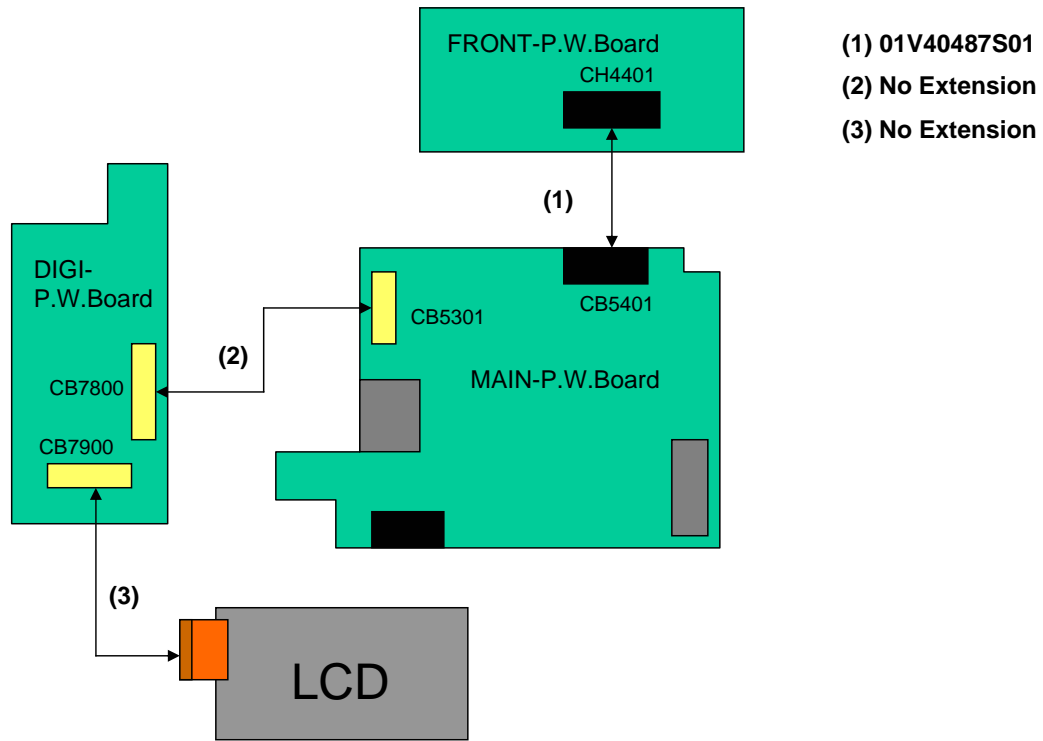



*¹ The system switch is located on the bottom of the unit.

- ① **Antenna Receptacle**
- ② **Power Antenna Lead (Blue)**
Connect this lead to the +B terminal of your power antenna, if applicable.
 - *This lead should be used only for controlling the boat's power antenna. Do not use this lead to turn on an amplifier, or a signal processor, etc.*
- ③ **Remote Turn-On Lead (Blue/White)**
Connect this lead to the remote turn-on lead of your amplifier or signal processor.
- ④ **Audio Interrupt In Lead (Pink/Black)**
- ⑤ **Illumination Lead (Orange)**
This lead may be connected to the boat's lighting system. This will allow the backlighting of the iDA-X100M to dim whenever the boat's lights are turned on.
- ⑥ **Switched Power Lead (Ignition) (Red)**
Connect this lead to an open terminal on the boat's fuse box or another unused power source which provides (+) 12V only when the ignition is turned on or in the accessory position.
- ⑦ **Battery Lead (Yellow)**
Connect this lead to the positive (+) post of the boat's battery.
- ⑧ **Ground Lead (Black)**
Connect this lead to a wire connected directly to the boat's negative battery terminal.
- ⑨ **Power Supply Connector**
- ⑩ **Right Front (+) Speaker Output Lead (Gray)**
- ⑪ **Right Front (-) Speaker Output Lead (Gray/Black)**
- ⑫ **Right Rear (-) Speaker Output Lead (Violet/Black)**
- ⑬ **Right Rear (+) Speaker Output Lead (Violet)**
- ⑭ **Left Rear (+) Speaker Output Lead (Green)**
- ⑮ **Left Rear (-) Speaker Output Lead (Green/Black)**
- ⑯ **Left Front (-) Speaker Output Lead (White/Black)**
- ⑰ **Left Front (+) Speaker Output Lead (White)**
- ⑱ **Fuse Holder (10A)**
- ⑲ **Ai-NET Connector**
Connect this to the output or input connector of another device (CD Changer, Equalizer, HD Radio TUNER MODULE, etc.) equipped with Ai-NET.
 - *Be sure to set "Setting the Connected Head Unit (MODEL SETUP)" to "CD CHG", when the DHA-S690 is connected.*
 - *Interface adapter for iPod (KCA-420i) is not recommended for use with this product.*
- ⑳ **Steering Remote Control Interface Connector**
To steering remote control interface box.
For details about connections, consult your nearest Alpine dealer.
- ㉑ **Rear Output/Input RCA Connectors**
It can be used as Rear Output or Input RCA Connectors. RED is right and WHITE is left.
- ㉒ **Front Output/Input RCA Connectors**
It can be used as Front Output or Input RCA Connectors. RED is right and WHITE is left.
- ㉓ **Subwoofer RCA Connectors**
RED is right and WHITE is left.
- ㉔ **Ai-NET Cable (Included with CD Changer)**
- ㉕ **RCA Extension Cable (sold separately)**
- ㉖ **Full Speed™ Connector**
Control iPod signals.
Connect this to an iPod or to an optional Bluetooth Box. To use a hands-free mobile phone, an optional Bluetooth Box connection is required. For details on connection, refer to the Owner's Manual of the Bluetooth Box.
You can also connect this to an external device (such as a portable audio player) by using iPod Direct/RCA Interface cable (KCE-236B, sold separately).
- ㉗ **FULL SPEED™ Connection Cable (KCE-422i) (sold separately)**
- ㉘ **System Switch**
When connecting a processor or divider using Ai-NET, place this switch in the EXT AP position. When no device is connected, leave the switch in the NORM position.
 - *When the IMPRINT audio processor is connected, set to EXT AP position.*
 - *Be sure to turn the power off to the unit before changing the switch position.*
- ㉙ **USB Connector**
Connect USB cable.
- ㉚ **USB cable**
Connect this to a USB memory / Portable audio player or to an iPod. To use an iPod, iPod Dock interface cable connection is required.
 - *Use the supplied USB cable. If a USB cable other than the supplied is used, correct performance cannot be guaranteed.*
 - *Route the USB cable away from other cables.*
- ㉛ **Marine Remote Commander Connector**
This connector is used to connect the Marine Remote Commander (sold separately).
For details about connections, consult your nearest Alpine dealer.



Extension Cable



*Always connect the Extension Cable when making checks of voltage and repair.





P.W.Board	MIS	MODEL	Ref.	Parts No.	Parts Name
MAIN-P.W.Board			ANT1001	09-06103Z02	ASSY,ANID-0035-02A
MAIN-P.W.Board			BZ5101	50T15447Y02	BUZZER,PKM13EPY -R5
MAIN-P.W.Board			C1001	08S45676W85	CAP,CER 104K-B1C -CP
MAIN-P.W.Board			C1003	08S45676W85	CAP,CER 104K-B1C -CP
MAIN-P.W.Board			C1006	08S45676W85	CAP,CER 104K-B1C -CP
MAIN-P.W.Board			C1008	08S45676W93	CAP,CER 224K-B1A -CP
MAIN-P.W.Board			C1009	08S82122F21	CAP,CER.22RJ-CH1H-CP
MAIN-P.W.Board			C1010	08S82122F17	CAP,CER.15RJ-CH1H-CP
MAIN-P.W.Board			C1011	08S82122F17	CAP,CER.15RJ-CH1H-CP
MAIN-P.W.Board			C2101	08S65674Y05	CAP,CER 105KX5R1C-CP
MAIN-P.W.Board			C2102	08S65674Y05	CAP,CER 105KX5R1C-CP
MAIN-P.W.Board			C2103	08S65674Y05	CAP,CER 105KX5R1C-CP
MAIN-P.W.Board			C2104	08S65674Y05	CAP,CER 105KX5R1C-CP
MAIN-P.W.Board			C2105	08S45676W80	CAP,CER 223K-B1E -CP
MAIN-P.W.Board			C2106	08S65674Y03	CAP,CER 225KX5R1A-CP
MAIN-P.W.Board			C2107	08S35350Y04	CAP,CER 105K-B1C -CP
MAIN-P.W.Board			C2108	08S35350Y04	CAP,CER 105K-B1C -CP
MAIN-P.W.Board			C2109	08S65674Y03	CAP,CER 225KX5R1A-CP
MAIN-P.W.Board			C2110	08S65674Y03	CAP,CER 225KX5R1A-CP
MAIN-P.W.Board			C2111	08S65674Y03	CAP,CER 225KX5R1A-CP
MAIN-P.W.Board			C2112	08S65674Y03	CAP,CER 225KX5R1A-CP
MAIN-P.W.Board			C2501	08S35349Y08	CAP,CER 102K-B1H -CP
MAIN-P.W.Board			C2502	08S35349Y08	CAP,CER 102K-B1H -CP
MAIN-P.W.Board			C2503	08S35349Y08	CAP,CER 102K-B1H -CP
MAIN-P.W.Board			C2504	08S35349Y08	CAP,CER 102K-B1H -CP
MAIN-P.W.Board			C2505	08S35349Y08	CAP,CER 102K-B1H -CP
MAIN-P.W.Board			C2506	08S35349Y08	CAP,CER 102K-B1H -CP
MAIN-P.W.Board			C2507	08S45676W68	CAP,CER.392K-B1H -CP
MAIN-P.W.Board			C2601	08T81833F07	CAP,CER 105K-B1C -CP
MAIN-P.W.Board			C2602	08S35349Y08	CAP,CER 102K-B1H -CP
MAIN-P.W.Board			C2603	08S60102F40	CAP,CER 224K-B1E -CP
MAIN-P.W.Board			C2604	08S60102F40	CAP,CER 224K-B1E -CP
MAIN-P.W.Board			C2605	08S60102F40	CAP,CER 224K-B1E -CP
MAIN-P.W.Board			C2606	08S60102F40	CAP,CER 224K-B1E -CP
MAIN-P.W.Board			C2607	08S35349Y11	CAP,CER 223K-B1H -CP
MAIN-P.W.Board			C2901	08S45676W80	CAP,CER 223K-B1E -CP
MAIN-P.W.Board			C2902	08S45676W80	CAP,CER 223K-B1E -CP
MAIN-P.W.Board			C3002	08S45539Y04	CAP,CER 103KX7R2J-CP
MAIN-P.W.Board			C3003	08S45539Y02	CAP,CER 222KX7R2J-CP
MAIN-P.W.Board			C3004	08S45539Y02	CAP,CER 222KX7R2J-CP
MAIN-P.W.Board			C3005	08S45539Y02	CAP,CER 222KX7R2J-CP
MAIN-P.W.Board			C3006	08S45539Y02	CAP,CER 222KX7R2J-CP
MAIN-P.W.Board			C3007	08S65128F78	CAP,CER.223K-B1H -CP
MAIN-P.W.Board			C3101	08S45676W85	CAP,CER 104K-B1C -CP
MAIN-P.W.Board			C3301	08S45676W80	CAP,CER 223K-B1E -CP
MAIN-P.W.Board			C5001	08S45676W80	CAP,CER 223K-B1E -CP
MAIN-P.W.Board			C5002	08S45676W85	CAP,CER 104K-B1C -CP

P.W.Board	MIS	MODEL	Ref.	Parts No.	Parts Name
MAIN-P.W.Board			C5003	08S35349Y08	CAP,CER 102K-B1H -CP
MAIN-P.W.Board			C5004	08S45676W80	CAP,CER 223K-B1E -CP
MAIN-P.W.Board			C5005	08S45677W18	CAP,CER.18RJ-CH1H-CP
MAIN-P.W.Board			C5006	08S45677W20	CAP,CER.22RJ-CH1H-CP
MAIN-P.W.Board			C5007	08S45677W22	CAP,CER.27RJ-CH1H-CP
MAIN-P.W.Board			C5008	08S45677W22	CAP,CER.27RJ-CH1H-CP
MAIN-P.W.Board			C5009	08S45676W85	CAP,CER 104K-B1C -CP
MAIN-P.W.Board			C5010	08S45676W85	CAP,CER 104K-B1C -CP
MAIN-P.W.Board			C5011	08S35349Y16	CAP,CER 105K-B1A -CP
MAIN-P.W.Board			C5012	08S35349Y08	CAP,CER 102K-B1H -CP
MAIN-P.W.Board			C5013	08S45677W54	CAP,CER 561J-CH1H-CP
MAIN-P.W.Board			C5014	08S35349Y08	CAP,CER 102K-B1H -CP
MAIN-P.W.Board			C5015	08S35349Y08	CAP,CER 102K-B1H -CP
MAIN-P.W.Board			C5016	08S35349Y08	CAP,CER 102K-B1H -CP
MAIN-P.W.Board			C5017	08S35349Y08	CAP,CER 102K-B1H -CP
MAIN-P.W.Board			C5201	08S45676W89	CAP,CER 473K-B1E -CP
MAIN-P.W.Board			C5202	08S45676W85	CAP,CER 104K-B1C -CP
MAIN-P.W.Board			C5203	08S45676W85	CAP,CER 104K-B1C -CP
MAIN-P.W.Board			C5204	08S45676W85	CAP,CER 104K-B1C -CP
MAIN-P.W.Board			C5301	08S45676W85	CAP,CER 104K-B1C -CP
MAIN-P.W.Board			C5302	08S45676W85	CAP,CER 104K-B1C -CP
MAIN-P.W.Board			C5401	08S45676W73	CAP,CER.103K-B1H -CP
MAIN-P.W.Board			C5501	08S45676W80	CAP,CER 223K-B1E -CP
MAIN-P.W.Board			C5502	08S45676W80	CAP,CER 223K-B1E -CP
MAIN-P.W.Board			C5503	08S45676W80	CAP,CER 223K-B1E -CP
MAIN-P.W.Board			C6001	08S35349Y08	CAP,CER 102K-B1H -CP
MAIN-P.W.Board			C6002	08S35349Y08	CAP,CER 102K-B1H -CP
MAIN-P.W.Board			C6003	08S45676W85	CAP,CER 104K-B1C -CP
MAIN-P.W.Board			C6004	08S45676W85	CAP,CER 104K-B1C -CP
MAIN-P.W.Board			C6005	08S35349Y08	CAP,CER 102K-B1H -CP
MAIN-P.W.Board			C6006	08S35349Y08	CAP,CER 102K-B1H -CP
MAIN-P.W.Board			C6201	08T65463Y01	CAP,CER 335K-B1A -CP
MAIN-P.W.Board			C6301	08S65128F78	CAP,CER.223K-B1H -CP
MAIN-P.W.Board			C6302	08S45676W65	CAP,CER.222K-B1H -CP
MAIN-P.W.Board			C6304	08T15807W05	CAP,104-B-K-1H -CP
MAIN-P.W.Board			C6401	08S35349Y08	CAP,CER 102K-B1H -CP
MAIN-P.W.Board			C6402	08S35349Y08	CAP,CER 102K-B1H -CP
MAIN-P.W.Board			C6501	08S45677W22	CAP,CER.27RJ-CH1H-CP
MAIN-P.W.Board			C6502	08S45677W22	CAP,CER.27RJ-CH1H-CP
MAIN-P.W.Board			C6503	08S45676W80	CAP,CER 223K-B1E -CP
MAIN-P.W.Board			C6801	08S45676W80	CAP,CER 223K-B1E -CP
MAIN-P.W.Board			C6802	08S45676W80	CAP,CER 223K-B1E -CP
MAIN-P.W.Board			C6803	08S45677W20	CAP,CER.22RJ-CH1H-CP
MAIN-P.W.Board			C6804	08S45677W20	CAP,CER.22RJ-CH1H-CP
MAIN-P.W.Board			C6805	08S45677W20	CAP,CER.22RJ-CH1H-CP
MAIN-P.W.Board			C6806	08S45677W20	CAP,CER.22RJ-CH1H-CP
MAIN-P.W.Board			C6807	08S65670Y03	CAP,CER 335KX5R1E-CP

P.W.Board	MIS	MODEL	Ref.	Parts No.	Parts Name
MAIN-P.W.Board			C6808	08S65670Y03	CAP,CER 335KX5R1E-CP
MAIN-P.W.Board			C6809	08S65670Y03	CAP,CER 335KX5R1E-CP
MAIN-P.W.Board			C6810	08S65670Y03	CAP,CER 335KX5R1E-CP
MAIN-P.W.Board			C6813	08S45677W20	CAP,CER.22RJ-CH1H-CP
MAIN-P.W.Board			C6814	08S45677W20	CAP,CER.22RJ-CH1H-CP
MAIN-P.W.Board			C6815	08S45677W20	CAP,CER.22RJ-CH1H-CP
MAIN-P.W.Board			C6816	08S45677W20	CAP,CER.22RJ-CH1H-CP
MAIN-P.W.Board			C6817	08S65670Y03	CAP,CER 335KX5R1E-CP
MAIN-P.W.Board			C6818	08S65670Y03	CAP,CER 335KX5R1E-CP
MAIN-P.W.Board			C6819	08S65670Y03	CAP,CER 335KX5R1E-CP
MAIN-P.W.Board			C6820	08S65670Y03	CAP,CER 335KX5R1E-CP
MAIN-P.W.Board			C8002	08S60102F44	CAP,CER 474K-B1E -CP
MAIN-P.W.Board			C8004	08S65667Y01	CAP,CER 224KX5R1C-CP
MAIN-P.W.Board			C8005	08S45676W85	CAP,CER 104K-B1C -CP
MAIN-P.W.Board			C8006	08S35349Y11	CAP,CER 223K-B1H -CP
MAIN-P.W.Board			C8007	08S45676W85	CAP,CER 104K-B1C -CP
MAIN-P.W.Board			C8008	08S45676W85	CAP,CER 104K-B1C -CP
MAIN-P.W.Board			C8009	08S45676W85	CAP,CER 104K-B1C -CP
MAIN-P.W.Board			C8010	08S45676W85	CAP,CER 104K-B1C -CP
MAIN-P.W.Board			C8011	08S45676W85	CAP,CER 104K-B1C -CP
MAIN-P.W.Board			C8013	08S65667Y01	CAP,CER 224KX5R1C-CP
MAIN-P.W.Board			C8201	08S45676W80	CAP,CER 223K-B1E -CP
MAIN-P.W.Board			C8401	08S45676W80	CAP,CER 223K-B1E -CP
MAIN-P.W.Board			C8501	08S65667Y05	CAP,CER 105KX5R1A-CP
MAIN-P.W.Board			C8502	08S45676W80	CAP,CER 223K-B1E -CP
MAIN-P.W.Board			C8503	08S45676W73	CAP,CER.103K-B1H -CP
MAIN-P.W.Board			C8601	08S45676W85	CAP,CER 104K-B1C -CP
MAIN-P.W.Board			C8602	08S45676W85	CAP,CER 104K-B1C -CP
MAIN-P.W.Board			C8603	08S45676W65	CAP,CER.222K-B1H -CP
MAIN-P.W.Board			C8604	08S45676W71	CAP,CER.682K-B1H -CP
MAIN-P.W.Board			C8605	08S45677W36	CAP,CER.101J-CH1H-CP
MAIN-P.W.Board			C8606	08S65670Y08	CAP,CER 225KX5R1H-CP
MAIN-P.W.Board			C8801	08S65670Y08	CAP,CER 225KX5R1H-CP
MAIN-P.W.Board			C8802	08S45677W52	CAP,CER 471J-CH1H-CP
MAIN-P.W.Board			C8803	08S45676W71	CAP,CER.682K-B1H -CP
MAIN-P.W.Board			C8804	08S45676W85	CAP,CER 104K-B1C -CP
MAIN-P.W.Board			C8805	08S45676W69	CAP,CER.472K-B1H -CP
MAIN-P.W.Board			C8806	08S45676W85	CAP,CER 104K-B1C -CP
MAIN-P.W.Board			C8901	08S65674Y03	CAP,CER 225KX5R1A-CP
MAIN-P.W.Board			C8902	08S65674Y03	CAP,CER 225KX5R1A-CP
MAIN-P.W.Board			CB3001	09T35473Y16	WTB,F169B001-16 -DB
MAIN-P.W.Board			CB5301	09T75225Y40	FFC,51374-4093 -ER
MAIN-P.W.Board			CB5401	09-05560Z01	BTB,DF15-S -DB
MAIN-P.W.Board			CB6201	09T03498K04	WTB,53253-0410 -DB
MAIN-P.W.Board			D1001	48T85357W01	DIO,1PS226 -CP
MAIN-P.W.Board			D2301	48T63463F01	DIO,DAP202K-96 -CP
MAIN-P.W.Board			D2302	48T63463F01	DIO,DAP202K-96 -CP

P.W.Board	MIS	MODEL	Ref.	Parts No.	Parts Name
MAIN-P.W.Board			D2303	48T63463F01	DIO,DAP202K-96 -CP
MAIN-P.W.Board			D2401	48T25665Y01	DIO,1SS355-TE17 -CP
MAIN-P.W.Board			D2402	48T25665Y01	DIO,1SS355-TE17 -CP
MAIN-P.W.Board			D3101	48T25665Y01	DIO,1SS355-TE17 -CP
MAIN-P.W.Board			D3301	48T25651W02	DIO,MA152WK-TX -CP
MAIN-P.W.Board			D3401	48T75527Y01	DIO,1SR154-400 -E1
MAIN-P.W.Board			D6001	48T85357W01	DIO,1PS226 -CP
MAIN-P.W.Board			D6301	48T25651W02	DIO,MA152WK-TX -CP
MAIN-P.W.Board			D6401	48T75527Y01	DIO,1SR154-400 -E1
MAIN-P.W.Board			D6501	48T25665Y01	DIO,1SS355-TE17 -CP
MAIN-P.W.Board			D8001	48T75527Y01	DIO,1SR154-400 -E1
MAIN-P.W.Board			D8002	48T75527Y01	DIO,1SR154-400 -E1
MAIN-P.W.Board			D8003	48T75527Y01	DIO,1SR154-400 -E1
MAIN-P.W.Board			D8301	48T25651W02	DIO,MA152WK-TX -CP
MAIN-P.W.Board			D8601	48T75527Y01	DIO,1SR154-400 -E1
MAIN-P.W.Board			D8801	48T75527Y01	DIO,1SR154-400 -E1
MAIN-P.W.Board			D8901	48T75527Y01	DIO,1SR154-400 -E1
MAIN-P.W.Board			DIN6001	09-05377Z01	DIN,TC7753-019117-DB
MAIN-P.W.Board			DIN6401	09T55071W11	CON,TCP9389-11 -DT
MAIN-P.W.Board			E1002	23T75543Y06	CAP,MVA 22R-1CD55-E2
MAIN-P.W.Board			E2101	23T75543Y13	CAP,MVA 22R-1EE55-E3
MAIN-P.W.Board			E2102	23S75244Y25	CAP,ELY 22R-1E -E3
MAIN-P.W.Board			E2301	23T75234Y15	CAP,MAR 3R3-1H-D55E2
MAIN-P.W.Board			E2302	23T75234Y15	CAP,MAR 3R3-1H-D55E2
MAIN-P.W.Board			E2303	23T75234Y15	CAP,MAR 3R3-1H-D55E2
MAIN-P.W.Board			E2304	23T75234Y15	CAP,MAR 3R3-1H-D55E2
MAIN-P.W.Board			E2305	23T75234Y15	CAP,MAR 3R3-1H-D55E2
MAIN-P.W.Board			E2306	23T75234Y15	CAP,MAR 3R3-1H-D55E2
MAIN-P.W.Board			E2401	23-02562Z22	CAP,HA 1R0-1H-B -E2
MAIN-P.W.Board			E2402	23S75244Y18	CAP,ELY 47R-1C -E3
MAIN-P.W.Board			E2601	23S75244Y32	CAP,ELY 4R7-1V -E2
MAIN-P.W.Board			E2603	23S75244Y18	CAP,ELY 47R-1C -E3
MAIN-P.W.Board			E2604	23-02562Z22	CAP,HA 1R0-1H-B -E2
MAIN-P.W.Board			E2605	23-02562Z22	CAP,HA 1R0-1H-B -E2
MAIN-P.W.Board			E2606	23-02562Z22	CAP,HA 1R0-1H-B -E2
MAIN-P.W.Board			E2607	23-02562Z22	CAP,HA 1R0-1H-B -E2
MAIN-P.W.Board			E2901	23T75543Y12	CAP,MVA 10R-1ED55-E2
MAIN-P.W.Board			E3001	23T75325Y05	CAP,VB 332-1E +
MAIN-P.W.Board			E3201	23S75244Y16	CAP,ELY 10R-1C -E2
MAIN-P.W.Board			E5001	23T75543Y09	CAP,MVA 221-1CF80-E6
MAIN-P.W.Board			E6501	23T75543Y06	CAP,MVA 22R-1CD55-E2
MAIN-P.W.Board			E6801	23T75543Y13	CAP,MVA 22R-1EE55-E3
MAIN-P.W.Board			E6802	23T75543Y12	CAP,MVA 10R-1ED55-E2
MAIN-P.W.Board			E6803	23T75543Y12	CAP,MVA 10R-1ED55-E2
MAIN-P.W.Board			E8002	23S75244Y22	CAP,ELY 471-1C -EA
MAIN-P.W.Board			E8003	23S75244Y25	CAP,ELY 22R-1E -E3
MAIN-P.W.Board			E8004	23S75244Y25	CAP,ELY 22R-1E -E3

P.W.Board	MIS	MODEL	Ref.	Parts No.	Parts Name
MAIN-P.W.Board			E8005	23S75244Y25	CAP,ELY 22R-1E -E3
MAIN-P.W.Board			E8101	23T75543Y06	CAP,MVA 22R-1CD55-E2
MAIN-P.W.Board			E8201	23T75543Y06	CAP,MVA 22R-1CD55-E2
MAIN-P.W.Board			E8401	23T75543Y06	CAP,MVA 22R-1CD55-E2
MAIN-P.W.Board			E8502	23S75244Y17	CAP,ELY 22R-1C -E2
MAIN-P.W.Board			E8602	23S75244Y22	CAP,ELY 471-1C -EA
MAIN-P.W.Board			E8802	23S75244Y22	CAP,ELY 471-1C -EA
MAIN-P.W.Board			E8803	23S75244Y23	CAP,ELY 681-1C -EA
MAIN-P.W.Board			F5301	65T75477Y13	FUSE,CCP2E 4.0A -CP
MAIN-P.W.Board			F6050	65T75477Y05	FUSE,CCP2E 1.0A -CP
MAIN-P.W.Board			F6401	65T75477Y13	FUSE,CCP2E 4.0A -CP
MAIN-P.W.Board			IC2101	51-07764Z01	TDA7417 -QE6
MAIN-P.W.Board			IC2601	51T65184Y01	TB2901H -ZS
MAIN-P.W.Board			IC2901	51T25612Y01	TC4066BFT-EL -SE5
MAIN-P.W.Board			IC2902	51T25612Y01	TC4066BFT-EL -SE5
MAIN-P.W.Board			IC5001	53-13507Z32	OFL, V0.70MRAL806AAM
MAIN-P.W.Board			IC5002	51T65770Y01	BR24L08F-W-E2 -SE2
MAIN-P.W.Board			IC5201	51T75063Y06	BD5228G-TR -CP
MAIN-P.W.Board			IC5301	51T45632Y01	TC74LCX07FT-EL -SE5
MAIN-P.W.Board			IC5302	51T15194Y02	TC74VHCT08AFT,K -SE5
MAIN-P.W.Board			IC5501	51T15185Y02	TC7SH08FU,JF-L -CP
MAIN-P.W.Board			IC5502	51T15185Y02	TC7SH08FU,JF-L -CP
MAIN-P.W.Board			IC5503	51T15185Y02	TC7SH08FU,JF-L -CP
MAIN-P.W.Board			IC6001	51T25183Y03	TC7SET08FU,JF-L -CP
MAIN-P.W.Board			IC6002	51T15185Y02	TC7SH08FU,JF-L -CP
MAIN-P.W.Board			IC6201	51T65212Y01	BA8275F-E2 -SE2
MAIN-P.W.Board			IC6301	51T93532F05	TC4S01F-TE85L -CP
MAIN-P.W.Board			IC6501	51T55070W05	MB88385CPF-ER -SE9
MAIN-P.W.Board			IC6801	51-05312Z01	BA4560RF-E2 -SE2
MAIN-P.W.Board			IC6802	51-05312Z01	BA4560RF-E2 -SE2
MAIN-P.W.Board			IC8001	51T65147Y01	HA13165 -ZS
MAIN-P.W.Board			IC8501	51T55184Y01	TAR5S50 -CP
MAIN-P.W.Board			IC8601	51T75303Y01	BD9778F-E2 -SE2
MAIN-P.W.Board			IC8801	51T75303Y01	BD9778F-E2 -SE2
MAIN-P.W.Board			IC8901	51-06219Z01	BD7820FP-E2 -NE5
MAIN-P.W.Board			JK2501	09-11352Z01	RCA,YKC21-4816N -DB
MAIN-P.W.Board			JK6301	09T95460W01	JAC,HSJ0857-01-1010+
MAIN-P.W.Board			L1001	24T16403W29	COI,IND.15R-M -CP
MAIN-P.W.Board			L1002	24T25164Y21	IND,FSLM2520 4R7J-CP
MAIN-P.W.Board			L1003	24T55488Y59	IND,LLQ1608 R047J-CP
MAIN-P.W.Board			L1004	24T55488Y24	IND,LLQ1608 R039J-CP
MAIN-P.W.Board			L8601	24-04484Z06	IND,7B12HJ 101M -EA
MAIN-P.W.Board			L8801	24-04484Z07	IND,7B12HJ 181M -EA
MAIN-P.W.Board			Q1001	48T75205Y02	TR,FMC3A-T148 -CP
MAIN-P.W.Board			Q2301	48T25317Y01	TR,XN0F256-TX -CP
MAIN-P.W.Board			Q2302	48T25317Y01	TR,XN0F256-TX -CP
MAIN-P.W.Board			Q2303	48T25317Y01	TR,XN0F256-TX -CP

P.W.Board	MIS	MODEL	Ref.	Parts No.	Parts Name
MAIN-P.W.Board			Q2402	48T62967F02	TR,DTC114EKA-T146-CP
MAIN-P.W.Board			Q2403	48T62967F03	TR,DTC124EKA-T146-CP
MAIN-P.W.Board			Q2404	48T75205Y01	TR,FMC2A-T148 -CP
MAIN-P.W.Board			Q2405	48T62967F02	TR,DTC114EKA-T146-CP
MAIN-P.W.Board			Q2406	48T62967F03	TR,DTC124EKA-T146-CP
MAIN-P.W.Board			Q3201	48T62967F03	TR,DTC124EKA-T146-CP
MAIN-P.W.Board			Q3301	48T62966F01	TR,DTA143EKA-T146-CP
MAIN-P.W.Board			Q3401	48T15141W03	TR ,2SB1184F5 -E5
MAIN-P.W.Board			Q3402	48T62967F01	TR,DTC143EKA-T146-CP
MAIN-P.W.Board			Q5101	48T62967F02	TR,DTC114EKA-T146-CP
MAIN-P.W.Board			Q5201	48T62967F03	TR,DTC124EKA-T146-CP
MAIN-P.W.Board			Q5202	48T75205Y02	TR,FMC3A-T148 -CP
MAIN-P.W.Board			Q5203	48T75205Y01	TR,FMC2A-T148 -CP
MAIN-P.W.Board			Q5501	48T75205Y02	TR,FMC3A-T148 -CP
MAIN-P.W.Board			Q5502	48T62967F03	TR,DTC124EKA-T146-CP
MAIN-P.W.Board			Q6050	48T15141W03	TR ,2SB1184F5 -E5
MAIN-P.W.Board			Q6051	48T94606F17	TR,DTC123YUA-T106-CP
MAIN-P.W.Board			Q6201	48T65619Y01	FET,HN1K06FU-85L -CP
MAIN-P.W.Board			Q6301	48-09583Z04	TR,KTA1504S-GRRTK-CP
MAIN-P.W.Board			Q6302	48T62967F05	TR,DTC143XKA-T146-CP
MAIN-P.W.Board			Q6501	48T94606F56	TR,DTA114EUA-T106-CP
MAIN-P.W.Board			Q8101	48T55457Y01	TR,2SB1260-QR-100-E2
MAIN-P.W.Board			Q8102	48T62967F01	TR,DTC143EKA-T146-CP
MAIN-P.W.Board			Q8201	48-09583Z04	TR,KTA1504S-GRRTK-CP
MAIN-P.W.Board			Q8202	48T62967F02	TR,DTC114EKA-T146-CP
MAIN-P.W.Board			Q8301	48-09581Z04	TR,KTA1505S-GRRTK-CP
MAIN-P.W.Board			Q8302	48T62967F01	TR,DTC143EKA-T146-CP
MAIN-P.W.Board			Q8401	48-09581Z04	TR,KTA1505S-GRRTK-CP
MAIN-P.W.Board			Q8402	48T62967F01	TR,DTC143EKA-T146-CP
MAIN-P.W.Board			Q8601	48T45594W08	TR ,XN1212 -TX-CP
MAIN-P.W.Board			Q8801	48T45594W08	TR ,XN1212 -TX-CP
MAIN-P.W.Board			R1002	06S15593Y97	RES,RK 104F 1/10 -CP
MAIN-P.W.Board			R1003	06S15593Y97	RES,RK 104F 1/10 -CP
MAIN-P.W.Board			R1004	06S15593Y73	RES,RK 103F 1/10 -CP
MAIN-P.W.Board			R1005	06S15593Y49	RES,RK 102F 1/10 -CP
MAIN-P.W.Board			R1006	06S15593Y49	RES,RK 102F 1/10 -CP
MAIN-P.W.Board			R1008	06S15593Y25	RES,RK 101F 1/10 -CP
MAIN-P.W.Board			R1009	06S15593Y25	RES,RK 101F 1/10 -CP
MAIN-P.W.Board			R1010	06S55361Y17	RES,RK 10RJ 1/4 -CP
MAIN-P.W.Board			R1012	06S15593Y81	RES,RK 223F 1/10 -CP
MAIN-P.W.Board			R1013	06S15593Y81	RES,RK 223F 1/10 -CP
MAIN-P.W.Board			R1014	06S55361Y49	RES,RK 221J 1/4 -CP
MAIN-P.W.Board			R2102	06S15593Y25	RES,RK 101F 1/10 -CP
MAIN-P.W.Board			R2103	06S15593Y25	RES,RK 101F 1/10 -CP
MAIN-P.W.Board			R2301	06S15593Y94	RES,RK 753F 1/10 -CP
MAIN-P.W.Board			R2302	06S15593Y94	RES,RK 753F 1/10 -CP
MAIN-P.W.Board			R2303	06S55361Y49	RES,RK 221J 1/4 -CP



P.W.Board	MIS	MODEL	Ref.	Parts No.	Parts Name
MAIN-P.W.Board			R2304	06S55361Y49	RES,RK 221J 1/4 -CP
MAIN-P.W.Board			R2305	06S55361Y41	RES,RK 101J 1/4 -CP
MAIN-P.W.Board			R2306	06S55361Y41	RES,RK 101J 1/4 -CP
MAIN-P.W.Board			R2307	06S15593Y49	RES,RK 102F 1/10 -CP
MAIN-P.W.Board			R2308	06S15593Y49	RES,RK 102F 1/10 -CP
MAIN-P.W.Board			R2309	06S55361Y41	RES,RK 101J 1/4 -CP
MAIN-P.W.Board			R2310	06S55361Y41	RES,RK 101J 1/4 -CP
MAIN-P.W.Board			R2311	06S15593Y94	RES,RK 753F 1/10 -CP
MAIN-P.W.Board			R2312	06S15593Y94	RES,RK 753F 1/10 -CP
MAIN-P.W.Board			R2313	06S55361Y49	RES,RK 221J 1/4 -CP
MAIN-P.W.Board			R2314	06S55361Y49	RES,RK 221J 1/4 -CP
MAIN-P.W.Board			R2315	06S15593Y49	RES,RK 102F 1/10 -CP
MAIN-P.W.Board			R2316	06S55361Y41	RES,RK 101J 1/4 -CP
MAIN-P.W.Board			R2317	06S55361Y41	RES,RK 101J 1/4 -CP
MAIN-P.W.Board			R2318	06S15593Y94	RES,RK 753F 1/10 -CP
MAIN-P.W.Board			R2319	06S15593Y94	RES,RK 753F 1/10 -CP
MAIN-P.W.Board			R2320	06S55361Y49	RES,RK 221J 1/4 -CP
MAIN-P.W.Board			R2321	06S55361Y49	RES,RK 221J 1/4 -CP
MAIN-P.W.Board			R2401	06S15593Y25	RES,RK 101F 1/10 -CP
MAIN-P.W.Board			R2402	06S15594Y23	RES,RK JUMPER1/10-CP
MAIN-P.W.Board			R2403	06S15593Y77	RES,RK 153F 1/10 -CP
MAIN-P.W.Board			R2404	06S15593Y89	RES,RK 473F 1/10 -CP
MAIN-P.W.Board			R2405	06S15593Y25	RES,RK 101F 1/10 -CP
MAIN-P.W.Board			R2406	06S15593Y73	RES,RK 103F 1/10 -CP
MAIN-P.W.Board			R2407	06S15593Y25	RES,RK 101F 1/10 -CP
MAIN-P.W.Board			R2408	06S15593Y73	RES,RK 103F 1/10 -CP
MAIN-P.W.Board			R2601	06S15593Y73	RES,RK 103F 1/10 -CP
MAIN-P.W.Board			R2801	06S15593Y73	RES,RK 103F 1/10 -CP
MAIN-P.W.Board			R2802	06S15593Y73	RES,RK 103F 1/10 -CP
MAIN-P.W.Board			R3101	06S35083Y29	RES,RK 222F 1/4 -CP
MAIN-P.W.Board			R3102	06S35083Y33	RES,RK 472F 1/4 -CP
MAIN-P.W.Board			R3201	06S55361Y89	RES,RK 103J 1/4 -CP
MAIN-P.W.Board			R3202	06S15593Y81	RES,RK 223F 1/10 -CP
MAIN-P.W.Board			R3301	06S55361Y89	RES,RK 103J 1/4 -CP
MAIN-P.W.Board			R3303	06S15593Y81	RES,RK 223F 1/10 -CP
MAIN-P.W.Board			R3401	06S55361Y71	RES,RK 182J 1/4 -CP
MAIN-P.W.Board			R3402	06S55361Y71	RES,RK 182J 1/4 -CP
MAIN-P.W.Board			R3403	06S55361Y98	RES,RK 243J 1/4 -CP
MAIN-P.W.Board			R3404	06S55361Y89	RES,RK 103J 1/4 -CP
MAIN-P.W.Board			R5001	06S15593Y25	RES,RK 101F 1/10 -CP
MAIN-P.W.Board			R5002	06S15593Y25	RES,RK 101F 1/10 -CP
MAIN-P.W.Board			R5003	06S15593Y65	RES,RK 472F 1/10 -CP
MAIN-P.W.Board			R5004	06S15593Y65	RES,RK 472F 1/10 -CP
MAIN-P.W.Board			R5005	06S15594Y14	RES,RK 474F 1/10 -CP
MAIN-P.W.Board			R5007	06S15593Y49	RES,RK 102F 1/10 -CP
MAIN-P.W.Board			R5015	06S15593Y49	RES,RK 102F 1/10 -CP
MAIN-P.W.Board			R5016	06S15593Y89	RES,RK 473F 1/10 -CP

P.W.Board	MIS	MODEL	Ref.	Parts No.	Parts Name
MAIN-P.W.Board			R5017	06S15593Y25	RES,RK 101F 1/10 -CP
MAIN-P.W.Board			R5018	06S15593Y81	RES,RK 223F 1/10 -CP
MAIN-P.W.Board			R5019	06S15593Y81	RES,RK 223F 1/10 -CP
MAIN-P.W.Board			R5020	06S15593Y25	RES,RK 101F 1/10 -CP
MAIN-P.W.Board			R5021	06S15593Y25	RES,RK 101F 1/10 -CP
MAIN-P.W.Board			R5024	06S15593Y25	RES,RK 101F 1/10 -CP
MAIN-P.W.Board			R5025	06S15593Y25	RES,RK 101F 1/10 -CP
MAIN-P.W.Board			R5026	06S15593Y25	RES,RK 101F 1/10 -CP
MAIN-P.W.Board			R5027	06S15593Y25	RES,RK 101F 1/10 -CP
MAIN-P.W.Board			R5029	06S15593Y25	RES,RK 101F 1/10 -CP
MAIN-P.W.Board			R5032	06S15594Y23	RES,RK JUMPER1/10-CP
MAIN-P.W.Board			R5033	06S35083Y17	RES,RK 221F 1/4 -CP
MAIN-P.W.Board			R5034	06S15593Y25	RES,RK 101F 1/10 -CP
MAIN-P.W.Board			R5035	06S15593Y25	RES,RK 101F 1/10 -CP
MAIN-P.W.Board			R5036	06S15593Y25	RES,RK 101F 1/10 -CP
MAIN-P.W.Board			R5037	06S15593Y25	RES,RK 101F 1/10 -CP
MAIN-P.W.Board			R5038	06S55365Y97	RES,RK 223J 1/10 -CP
MAIN-P.W.Board			R5039	06S55366Y06	RES,RK 473J 1/10 -CP
MAIN-P.W.Board			R5040	06S15593Y73	RES,RK 103F 1/10 -CP
MAIN-P.W.Board			R5043	06S15593Y73	RES,RK 103F 1/10 -CP
MAIN-P.W.Board			R5045	06S55365Y97	RES,RK 223J 1/10 -CP
MAIN-P.W.Board			R5046	06S15593Y65	RES,RK 472F 1/10 -CP
MAIN-P.W.Board			R5047	06S15593Y65	RES,RK 472F 1/10 -CP
MAIN-P.W.Board			R5048	06S15593Y49	RES,RK 102F 1/10 -CP
MAIN-P.W.Board			R5049	06S15593Y49	RES,RK 102F 1/10 -CP
MAIN-P.W.Board			R5050	06S15593Y65	RES,RK 472F 1/10 -CP
MAIN-P.W.Board			R5051	06S15593Y81	RES,RK 223F 1/10 -CP
MAIN-P.W.Board			R5052	06S15593Y57	RES,RK 222F 1/10 -CP
MAIN-P.W.Board			R5053	06S55366Y14	RES,RK 104J 1/10 -CP
MAIN-P.W.Board			R5054	06S15593Y65	RES,RK 472F 1/10 -CP
MAIN-P.W.Board			R5055	06S15593Y65	RES,RK 472F 1/10 -CP
MAIN-P.W.Board			R5056	06S15593Y25	RES,RK 101F 1/10 -CP
MAIN-P.W.Board			R5057	06S15593Y25	RES,RK 101F 1/10 -CP
MAIN-P.W.Board			R5101	06S55363Y89	RES,RK 103J 1/8 -CP
MAIN-P.W.Board			R5102	06S35083Y25	RES,RK 102F 1/4 -CP
MAIN-P.W.Board			R5201	06S15593Y63	RES,RK 392F 1/10 -CP
MAIN-P.W.Board			R5202	06S15593Y81	RES,RK 223F 1/10 -CP
MAIN-P.W.Board			R5203	06S15593Y59	RES,RK 272F 1/10 -CP
MAIN-P.W.Board			R5205	06S35083Y45	RES,RK 473F 1/4 -CP
MAIN-P.W.Board			R5207	06S35083Y42	RES,RK 273F 1/4 -CP
MAIN-P.W.Board			R5301	06S15593Y25	RES,RK 101F 1/10 -CP
MAIN-P.W.Board			R5302	06S15593Y25	RES,RK 101F 1/10 -CP
MAIN-P.W.Board			R5303	06S15593Y25	RES,RK 101F 1/10 -CP
MAIN-P.W.Board			R5304	06S15593Y25	RES,RK 101F 1/10 -CP
MAIN-P.W.Board			R5305	06S15593Y25	RES,RK 101F 1/10 -CP
MAIN-P.W.Board			R5306	06S15593Y65	RES,RK 472F 1/10 -CP
MAIN-P.W.Board			R5307	06S15593Y65	RES,RK 472F 1/10 -CP

P.W.Board	MIS	MODEL	Ref.	Parts No.	Parts Name
MAIN-P.W.Board			R5308	06S15593Y49	RES,RK 102F 1/10 -CP
MAIN-P.W.Board			R5309	06S15593Y25	RES,RK 101F 1/10 -CP
MAIN-P.W.Board			R5310	06S15594Y14	RES,RK 474F 1/10 -CP
MAIN-P.W.Board			R5311	06S15593Y49	RES,RK 102F 1/10 -CP
MAIN-P.W.Board			R5312	06S15594Y23	RES,RK JUMPER1/10-CP
MAIN-P.W.Board			R5313	06S15594Y23	RES,RK JUMPER1/10-CP
MAIN-P.W.Board			R5314	06S15593Y81	RES,RK 223F 1/10 -CP
MAIN-P.W.Board			R5315	06S15593Y81	RES,RK 223F 1/10 -CP
MAIN-P.W.Board			R5316	06S15593Y81	RES,RK 223F 1/10 -CP
MAIN-P.W.Board			R5317	06S15593Y81	RES,RK 223F 1/10 -CP
MAIN-P.W.Board			R5318	06S15593Y49	RES,RK 102F 1/10 -CP
MAIN-P.W.Board			R5402	06S35083Y25	RES,RK 102F 1/4 -CP
MAIN-P.W.Board			R5403	06S55363Y65	RES,RK 102J 1/8 -CP
MAIN-P.W.Board			R5404	06S55363Y65	RES,RK 102J 1/8 -CP
MAIN-P.W.Board			R5405	06S35083Y37	RES,RK 103F 1/4 -CP
MAIN-P.W.Board			R5406	06S15593Y81	RES,RK 223F 1/10 -CP
MAIN-P.W.Board			R5407	06S55363Y65	RES,RK 102J 1/8 -CP
MAIN-P.W.Board			R5408	06S55363Y65	RES,RK 102J 1/8 -CP
MAIN-P.W.Board			R5409	06S35083Y25	RES,RK 102F 1/4 -CP
MAIN-P.W.Board			R5410	06S55363Y65	RES,RK 102J 1/8 -CP
MAIN-P.W.Board			R5411	06S35083Y25	RES,RK 102F 1/4 -CP
MAIN-P.W.Board			R5413	06S55363Y65	RES,RK 102J 1/8 -CP
MAIN-P.W.Board			R5501	06S15593Y81	RES,RK 223F 1/10 -CP
MAIN-P.W.Board			R5502	06S15593Y73	RES,RK 103F 1/10 -CP
MAIN-P.W.Board			R5503	06S15593Y25	RES,RK 101F 1/10 -CP
MAIN-P.W.Board			R5504	06S15593Y25	RES,RK 101F 1/10 -CP
MAIN-P.W.Board			R6001	06S15593Y89	RES,RK 473F 1/10 -CP
MAIN-P.W.Board			R6002	06S55361Y65	RES,RK 102J 1/4 -CP
MAIN-P.W.Board			R6003	06S55361Y65	RES,RK 102J 1/4 -CP
MAIN-P.W.Board			R6004	06S55361Y65	RES,RK 102J 1/4 -CP
MAIN-P.W.Board			R6005	06S45348Y39	RES,RK 514F 1/4 -CP
MAIN-P.W.Board			R6006	06S15593Y87	RES,RK 393F 1/10 -CP
MAIN-P.W.Board			R6007	06S15593Y89	RES,RK 473F 1/10 -CP
MAIN-P.W.Board			R6008	06S15594Y23	RES,RK JUMPER1/10-CP
MAIN-P.W.Board			R6009	06S15593Y49	RES,RK 102F 1/10 -CP
MAIN-P.W.Board			R6010	06S35083Y25	RES,RK 102F 1/4 -CP
MAIN-P.W.Board			R6011	06S35083Y25	RES,RK 102F 1/4 -CP
MAIN-P.W.Board			R6012	06S35083Y25	RES,RK 102F 1/4 -CP
MAIN-P.W.Board			R6050	06S55361Y69	RES,RK 152J 1/4 -CP
MAIN-P.W.Board			R6051	06S55361Y72	RES,RK 202J 1/4 -CP
MAIN-P.W.Board			R6052	06S55361Y71	RES,RK 182J 1/4 -CP
MAIN-P.W.Board			R6053	06S55361Y70	RES,RK 162J 1/4 -CP
MAIN-P.W.Board			R6054	06S55361Y98	RES,RK 243J 1/4 -CP
MAIN-P.W.Board			R6201	06S15593Y65	RES,RK 472F 1/10 -CP
MAIN-P.W.Board			R6202	06S15593Y65	RES,RK 472F 1/10 -CP
MAIN-P.W.Board			R6203	06S55361Y63	RES,RK 821J 1/4 -CP
MAIN-P.W.Board			R6204	06S55361Y63	RES,RK 821J 1/4 -CP

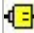
P.W.Board	MIS	MODEL	Ref.	Parts No.	Parts Name
MAIN-P.W.Board			R6205	06S55361Y41	RES,RK 101J 1/4 -CP
MAIN-P.W.Board			R6206	06S55361Y41	RES,RK 101J 1/4 -CP
MAIN-P.W.Board			R6301	06S15593Y49	RES,RK 102F 1/10 -CP
MAIN-P.W.Board			R6302	06S15593Y81	RES,RK 223F 1/10 -CP
MAIN-P.W.Board			R6305	06S55361Y41	RES,RK 101J 1/4 -CP
MAIN-P.W.Board			R6306	06S15593Y61	RES,RK 332F 1/10 -CP
MAIN-P.W.Board			R6307	06S15593Y81	RES,RK 223F 1/10 -CP
MAIN-P.W.Board			R6308	06S15593Y57	RES,RK 222F 1/10 -CP
MAIN-P.W.Board			R6401	06S55361Y51	RES,RK 271J 1/4 -CP
MAIN-P.W.Board			R6402	06S55361Y51	RES,RK 271J 1/4 -CP
MAIN-P.W.Board			R6501	06S55361Y17	RES,RK 10RJ 1/4 -CP
MAIN-P.W.Board			R6502	06S55361Y46	RES,RK 161J 1/4 -CP
MAIN-P.W.Board			R6503	06S55361Y46	RES,RK 161J 1/4 -CP
MAIN-P.W.Board			R6504	06S55361Y46	RES,RK 161J 1/4 -CP
MAIN-P.W.Board			R6505	06S55361Y46	RES,RK 161J 1/4 -CP
MAIN-P.W.Board			R6506	06S15593Y69	RES,RK 682F 1/10 -CP
MAIN-P.W.Board			R6507	06S15593Y65	RES,RK 472F 1/10 -CP
MAIN-P.W.Board			R6508	06S15593Y81	RES,RK 223F 1/10 -CP
MAIN-P.W.Board			R6509	06S15593Y81	RES,RK 223F 1/10 -CP
MAIN-P.W.Board			R6510	06S15593Y65	RES,RK 472F 1/10 -CP
MAIN-P.W.Board			R6511	06S15593Y65	RES,RK 472F 1/10 -CP
MAIN-P.W.Board			R6512	06S15593Y65	RES,RK 472F 1/10 -CP
MAIN-P.W.Board			R6515	06S15593Y57	RES,RK 222F 1/10 -CP
MAIN-P.W.Board			R6516	06S15593Y57	RES,RK 222F 1/10 -CP
MAIN-P.W.Board			R6517	06S15593Y53	RES,RK 152F 1/10 -CP
MAIN-P.W.Board			R6518	06S15593Y53	RES,RK 152F 1/10 -CP
MAIN-P.W.Board			R6801	06S15593Y81	RES,RK 223F 1/10 -CP
MAIN-P.W.Board			R6802	06S15593Y81	RES,RK 223F 1/10 -CP
MAIN-P.W.Board			R6803	06S15593Y81	RES,RK 223F 1/10 -CP
MAIN-P.W.Board			R6804	06S15593Y81	RES,RK 223F 1/10 -CP
MAIN-P.W.Board			R6805	06S15593Y81	RES,RK 223F 1/10 -CP
MAIN-P.W.Board			R6806	06S15593Y81	RES,RK 223F 1/10 -CP
MAIN-P.W.Board			R6807	06S15593Y81	RES,RK 223F 1/10 -CP
MAIN-P.W.Board			R6808	06S15593Y81	RES,RK 223F 1/10 -CP
MAIN-P.W.Board			R6809	06S15593Y81	RES,RK 223F 1/10 -CP
MAIN-P.W.Board			R6810	06S15593Y81	RES,RK 223F 1/10 -CP
MAIN-P.W.Board			R6811	06S15593Y81	RES,RK 223F 1/10 -CP
MAIN-P.W.Board			R6812	06S15593Y81	RES,RK 223F 1/10 -CP
MAIN-P.W.Board			R6813	06S15593Y81	RES,RK 223F 1/10 -CP
MAIN-P.W.Board			R6814	06S15593Y81	RES,RK 223F 1/10 -CP
MAIN-P.W.Board			R6815	06S15593Y81	RES,RK 223F 1/10 -CP
MAIN-P.W.Board			R6816	06S15593Y81	RES,RK 223F 1/10 -CP
MAIN-P.W.Board			R6817	06S15593Y69	RES,RK 682F 1/10 -CP
MAIN-P.W.Board			R6818	06S15593Y69	RES,RK 682F 1/10 -CP
MAIN-P.W.Board			R6819	06S15593Y69	RES,RK 682F 1/10 -CP
MAIN-P.W.Board			R6820	06S15593Y69	RES,RK 682F 1/10 -CP
MAIN-P.W.Board			R6821	06S35083Y19	RES,RK 331F 1/4 -CP

P.W.Board	MIS	MODEL	Ref.	Parts No.	Parts Name
MAIN-P.W.Board			R6822	06S35083Y19	RES,RK 331F 1/4 -CP
MAIN-P.W.Board			R6823	06S35083Y19	RES,RK 331F 1/4 -CP
MAIN-P.W.Board			R6824	06S35083Y19	RES,RK 331F 1/4 -CP
MAIN-P.W.Board			R8001	06S15593Y49	RES,RK 102F 1/10 -CP
MAIN-P.W.Board			R8004	06S15593Y85	RES,RK 333F 1/10 -CP
MAIN-P.W.Board			R8005	06S15593Y83	RES,RK 273F 1/10 -CP
MAIN-P.W.Board			R8006	06S15593Y67	RES,RK 562F 1/10 -CP
MAIN-P.W.Board			R8009	06S55366Y23	RES,RK 244J 1/10 -CP
MAIN-P.W.Board			R8011	06S55366Y34	RES,RK 684J 1/10 -CP
MAIN-P.W.Board			R8101	06S55363Y63	RES,RK 821J 1/8 -CP
MAIN-P.W.Board			R8102	06S15594Y23	RES,RK JUMPER1/10-CP
MAIN-P.W.Board			R8104	06S15593Y82	RES,RK 243F 1/10 -CP
MAIN-P.W.Board			R8201	06S15593Y82	RES,RK 243F 1/10 -CP
MAIN-P.W.Board			R8202	06S15593Y57	RES,RK 222F 1/10 -CP
MAIN-P.W.Board			R8301	06S15593Y82	RES,RK 243F 1/10 -CP
MAIN-P.W.Board			R8302	06S15593Y51	RES,RK 122F 1/10 -CP
MAIN-P.W.Board			R8303	06S15593Y89	RES,RK 473F 1/10 -CP
MAIN-P.W.Board			R8401	06S35083Y27	RES,RK 152F 1/4 -CP
MAIN-P.W.Board			R8402	06S15593Y82	RES,RK 243F 1/10 -CP
MAIN-P.W.Board			R8403	06S15594Y23	RES,RK JUMPER1/10-CP
MAIN-P.W.Board			R8601	06S15594Y10	RES,RK 334F 1/10 -CP
MAIN-P.W.Board			R8602	06S15593Y87	RES,RK 393F 1/10 -CP
MAIN-P.W.Board			R8603	06S15594Y02	RES,RK 154F 1/10 -CP
MAIN-P.W.Board			R8604	06S15593Y90	RES,RK 513F 1/10 -CP
MAIN-P.W.Board			R8605	06S15594Y23	RES,RK JUMPER1/10-CP
MAIN-P.W.Board			R8606	06S15593Y49	RES,RK 102F 1/10 -CP
MAIN-P.W.Board			R8607	06S15594Y02	RES,RK 154F 1/10 -CP
MAIN-P.W.Board			R8608	06S15593Y76	RES,RK 133F 1/10 -CP
MAIN-P.W.Board			R8609	06S15593Y92	RES,RK 623F 1/10 -CP
MAIN-P.W.Board			R8610	06S35083Y16	RES,RK 181F 1/4 -CP
MAIN-P.W.Board			R8612	06S35083Y16	RES,RK 181F 1/4 -CP
MAIN-P.W.Board			R8613	06S35083Y16	RES,RK 181F 1/4 -CP
MAIN-P.W.Board			R8801	06S15593Y94	RES,RK 753F 1/10 -CP
MAIN-P.W.Board			R8802	06S15593Y49	RES,RK 102F 1/10 -CP
MAIN-P.W.Board			R8803	06S15593Y82	RES,RK 243F 1/10 -CP
MAIN-P.W.Board			R8804	06S15594Y23	RES,RK JUMPER1/10-CP
MAIN-P.W.Board			R8806	06S15593Y74	RES,RK 113F 1/10 -CP
MAIN-P.W.Board			R8807	06S15593Y87	RES,RK 393F 1/10 -CP
MAIN-P.W.Board			R8808	06S15593Y92	RES,RK 623F 1/10 -CP
MAIN-P.W.Board			R8809	06S15594Y02	RES,RK 154F 1/10 -CP
MAIN-P.W.Board			R8811	06S35083Y13	RES,RK 101F 1/4 -CP
MAIN-P.W.Board			R8901	06S15593Y41	RES,RK 471F 1/10 -CP
MAIN-P.W.Board			R8902	06S15593Y69	RES,RK 682F 1/10 -CP
MAIN-P.W.Board			R8903	06S15593Y81	RES,RK 223F 1/10 -CP
MAIN-P.W.Board			R8904	06S15593Y29	RES,RK 151F 1/10 -CP
MAIN-P.W.Board			R8905	06S15593Y75	RES,RK 123F 1/10 -CP
MAIN-P.W.Board			R8906	06S15593Y81	RES,RK 223F 1/10 -CP

P.W.Board	MIS	MODEL	Ref.	Parts No.	Parts Name
MAIN-P.W.Board			SA1001	48-00954Z01	VST,CSA30C201M-T -CP
MAIN-P.W.Board			SD2601	48T95572W01	DIO,SHT MA736-TX -E1
MAIN-P.W.Board			SD2602	48T95572W01	DIO,SHT MA736-TX -E1
MAIN-P.W.Board			SD8601	48T45286Y01	DIO,SHT RB050L-40-E1
MAIN-P.W.Board			SD8801	48T45286Y01	DIO,SHT RB050L-40-E1
MAIN-P.W.Board			SW2801	40T15452Y01	SW,SLIDE SLD-62-724X
MAIN-P.W.Board			SW2802	40T15452Y01	SW,SLIDE SLD-62-724X
MAIN-P.W.Board			SW5201	40T16096W03	SW ,TACT SKHHLW
MAIN-P.W.Board			T3001	25-11260Z01	CHOKE,OLC-UB2636-1DB
MAIN-P.W.Board			TU1001	TU-04070Z04	TUNER,TFTE1U113C
MAIN-P.W.Board			VR8601	18T25282Y28	VAR,EVM3VVSX50 104-CP
MAIN-P.W.Board			VR8801	18T25282Y28	VAR,EVM3VVSX50 104-CP
MAIN-P.W.Board			VT1001	24T35286Y02	IND,MG56 332J -DB
MAIN-P.W.Board			XL5001	91T95554W01	XTL,CM200S 32.76K-E5
MAIN-P.W.Board			XL5002	91-04265Z48	XTL,AT-51CD2 6.0M-E7
MAIN-P.W.Board			XL6501	91-04265Z02	XTL,AT-51CD2 4.0M-E7
MAIN-P.W.Board			Z5001	91T65112W06	EMI,BK2125HM102 -CP
MAIN-P.W.Board			Z5002	91T65112W06	EMI,BK2125HM102 -CP
MAIN-P.W.Board			Z5003	91T65112W06	EMI,BK2125HM102 -CP
MAIN-P.W.Board			ZD3001	48-02592Z01	DIO,ZEN Z5W27VJ -EA
MAIN-P.W.Board			ZD5201	48-01607Z22	DIO,ZEN LUDZ6.2B -CP
MAIN-P.W.Board			ZD6001	48-01607Z19	DIO,ZEN LUDZ5.6B -CP
MAIN-P.W.Board			ZD6002	48-01607Z19	DIO,ZEN LUDZ5.6B -CP
MAIN-P.W.Board			ZD6501	48-01607Z19	DIO,ZEN LUDZ5.6B -CP
MAIN-P.W.Board			ZD6502	48T35392Y06	DIO,ZEN RLZ7.5A -CP
MAIN-P.W.Board			ZD6503	48T35392Y06	DIO,ZEN RLZ7.5A -CP
DIGI-P.W.Board			C7000	08S65667Y05	CAP,CER 105KX5R1A-CP
DIGI-P.W.Board			C7001	08S45232Y17	CAP,CER 104K-BOJ -CP
DIGI-P.W.Board			C7002	08S45232Y17	CAP,CER 104K-BOJ -CP
DIGI-P.W.Board			C7003	08S45232Y17	CAP,CER 104K-BOJ -CP
DIGI-P.W.Board			C7004	08S45232Y17	CAP,CER 104K-BOJ -CP
DIGI-P.W.Board			C7005	08S45232Y17	CAP,CER 104K-BOJ -CP
DIGI-P.W.Board			C7006	08S45232Y17	CAP,CER 104K-BOJ -CP
DIGI-P.W.Board			C7007	08S45232Y17	CAP,CER 104K-BOJ -CP
DIGI-P.W.Board			C7008	08S45232Y11	CAP,CER 103K-B1C -CP
DIGI-P.W.Board			C7009	08S45232Y17	CAP,CER 104K-BOJ -CP
DIGI-P.W.Board			C7010	08S45232Y17	CAP,CER 104K-BOJ -CP
DIGI-P.W.Board			C7011	08S45232Y17	CAP,CER 104K-BOJ -CP
DIGI-P.W.Board			C7012	08S45232Y17	CAP,CER 104K-BOJ -CP
DIGI-P.W.Board			C7013	08S45232Y11	CAP,CER 103K-B1C -CP
DIGI-P.W.Board			C7014	08S45231Y10	CAP,CER 7R0D-CH1H-CP
DIGI-P.W.Board			C7015	08S45231Y10	CAP,CER 7R0D-CH1H-CP
DIGI-P.W.Board			C7016	08S45232Y17	CAP,CER 104K-BOJ -CP
DIGI-P.W.Board			C7017	08S45232Y17	CAP,CER 104K-BOJ -CP
DIGI-P.W.Board			C7018	08S45231Y13	CAP,CER 10RD-CH1H-CP
DIGI-P.W.Board			C7019	08S45231Y13	CAP,CER 10RD-CH1H-CP
DIGI-P.W.Board			C7020	08S35374W12	CAP,CER 106K-BOJ -CP

P.W.Board	MIS	MODEL	Ref.	Parts No.	Parts Name
DIGI-P.W.Board			C7021	08S35374W12	CAP,CER 106K-B0J -CP
DIGI-P.W.Board			C7022	08S35374W12	CAP,CER 106K-B0J -CP
DIGI-P.W.Board			C7023	08S45231Y07	CAP,CER 4R0C-CH1H-CP
DIGI-P.W.Board			C7024	08S45231Y07	CAP,CER 4R0C-CH1H-CP
DIGI-P.W.Board			C7025	08S45232Y17	CAP,CER 104K-B0J -CP
DIGI-P.W.Board			C7026	08S45232Y17	CAP,CER 104K-B0J -CP
DIGI-P.W.Board			C7027	08S45232Y17	CAP,CER 104K-B0J -CP
DIGI-P.W.Board			C7028	08S45232Y17	CAP,CER 104K-B0J -CP
DIGI-P.W.Board			C7029	08S35374W12	CAP,CER 106K-B0J -CP
DIGI-P.W.Board			C7030	08S45232Y17	CAP,CER 104K-B0J -CP
DIGI-P.W.Board			C7031	08S45232Y17	CAP,CER 104K-B0J -CP
DIGI-P.W.Board			C7032	08S45232Y17	CAP,CER 104K-B0J -CP
DIGI-P.W.Board			C7033	08S35349Y12	CAP,CER 105K-B0J -CP
DIGI-P.W.Board			C7034	08S45232Y17	CAP,CER 104K-B0J -CP
DIGI-P.W.Board			C7035	08S45232Y17	CAP,CER 104K-B0J -CP
DIGI-P.W.Board			C7036	08S45232Y17	CAP,CER 104K-B0J -CP
DIGI-P.W.Board			C7037	08S45232Y17	CAP,CER 104K-B0J -CP
DIGI-P.W.Board			C7038	08S45232Y17	CAP,CER 104K-B0J -CP
DIGI-P.W.Board			C7039	08S45232Y17	CAP,CER 104K-B0J -CP
DIGI-P.W.Board			C7040	08S45232Y17	CAP,CER 104K-B0J -CP
DIGI-P.W.Board			C7041	08S45232Y17	CAP,CER 104K-B0J -CP
DIGI-P.W.Board			C7042	08S45232Y17	CAP,CER 104K-B0J -CP
DIGI-P.W.Board			C7043	08S45232Y17	CAP,CER 104K-B0J -CP
DIGI-P.W.Board			C7044	08S45232Y17	CAP,CER 104K-B0J -CP
DIGI-P.W.Board			C7045	08S45232Y17	CAP,CER 104K-B0J -CP
DIGI-P.W.Board			C7046	08S45232Y17	CAP,CER 104K-B0J -CP
DIGI-P.W.Board			C7047	08S45232Y17	CAP,CER 104K-B0J -CP
DIGI-P.W.Board			C7048	08S45232Y17	CAP,CER 104K-B0J -CP
DIGI-P.W.Board			C7049	08S45232Y17	CAP,CER 104K-B0J -CP
DIGI-P.W.Board			C7050	08S45232Y17	CAP,CER 104K-B0J -CP
DIGI-P.W.Board			C7051	08S45232Y17	CAP,CER 104K-B0J -CP
DIGI-P.W.Board			C7052	08S45232Y17	CAP,CER 104K-B0J -CP
DIGI-P.W.Board			C7053	08S45232Y17	CAP,CER 104K-B0J -CP
DIGI-P.W.Board			C7054	08S45232Y17	CAP,CER 104K-B0J -CP
DIGI-P.W.Board			C7055	08S45232Y17	CAP,CER 104K-B0J -CP
DIGI-P.W.Board			C7056	08S45232Y17	CAP,CER 104K-B0J -CP
DIGI-P.W.Board			C7057	08S45232Y17	CAP,CER 104K-B0J -CP
DIGI-P.W.Board			C7058	08S45232Y17	CAP,CER 104K-B0J -CP
DIGI-P.W.Board			C7059	08S45232Y17	CAP,CER 104K-B0J -CP
DIGI-P.W.Board			C7060	08S45232Y17	CAP,CER 104K-B0J -CP
DIGI-P.W.Board			C7061	08S45232Y11	CAP,CER 103K-B1C -CP
DIGI-P.W.Board			C7100	08S65667Y05	CAP,CER 105KX5R1A-CP
DIGI-P.W.Board			C7101	08S45232Y17	CAP,CER 104K-B0J -CP
DIGI-P.W.Board			C7102	08S45232Y17	CAP,CER 104K-B0J -CP
DIGI-P.W.Board			C7103	08S45232Y17	CAP,CER 104K-B0J -CP
DIGI-P.W.Board			C7104	08S45232Y17	CAP,CER 104K-B0J -CP
DIGI-P.W.Board			C7105	08S45232Y17	CAP,CER 104K-B0J -CP

P.W.Board	MIS	MODEL	Ref.	Parts No.	Parts Name
DIGI-P.W.Board			C7106	08S45232Y11	CAP,CER 103K-B1C -CP
DIGI-P.W.Board			C7107	08S45232Y11	CAP,CER 103K-B1C -CP
DIGI-P.W.Board			C7200	08S65667Y05	CAP,CER 105KX5R1A-CP
DIGI-P.W.Board			C7201	08S45232Y17	CAP,CER 104K-B0J -CP
DIGI-P.W.Board			C7202	08S45232Y17	CAP,CER 104K-B0J -CP
DIGI-P.W.Board			C7203	08S45232Y17	CAP,CER 104K-B0J -CP
DIGI-P.W.Board			C7204	08S45232Y17	CAP,CER 104K-B0J -CP
DIGI-P.W.Board			C7205	08S45232Y17	CAP,CER 104K-B0J -CP
DIGI-P.W.Board			C7206	08S45232Y17	CAP,CER 104K-B0J -CP
DIGI-P.W.Board			C7207	08S45232Y17	CAP,CER 104K-B0J -CP
DIGI-P.W.Board			C7208	08S45232Y17	CAP,CER 104K-B0J -CP
DIGI-P.W.Board			C7209	08S45232Y17	CAP,CER 104K-B0J -CP
DIGI-P.W.Board			C7210	08S45232Y17	CAP,CER 104K-B0J -CP
DIGI-P.W.Board			C7211	08S45232Y17	CAP,CER 104K-B0J -CP
DIGI-P.W.Board			C7212	08S45232Y17	CAP,CER 104K-B0J -CP
DIGI-P.W.Board			C7300	08S45232Y17	CAP,CER 104K-B0J -CP
DIGI-P.W.Board			C7301	08S45232Y17	CAP,CER 104K-B0J -CP
DIGI-P.W.Board			C7302	08S45231Y08	CAP,CER 5R0C-CH1H-CP
DIGI-P.W.Board			C7303	08S45231Y08	CAP,CER 5R0C-CH1H-CP
DIGI-P.W.Board			C7304	08S45232Y11	CAP,CER 103K-B1C -CP
DIGI-P.W.Board			C7400	08S45231Y38	CAP,CER 102J-CH1E-CP
DIGI-P.W.Board			C7401	08S45232Y17	CAP,CER 104K-B0J -CP
DIGI-P.W.Board			C7402	08S45231Y38	CAP,CER 102J-CH1E-CP
DIGI-P.W.Board			C7403	08S35374W12	CAP,CER 106K-B0J -CP
DIGI-P.W.Board			C7404	08S35374W12	CAP,CER 106K-B0J -CP
DIGI-P.W.Board			C7405	08S35374W12	CAP,CER 106K-B0J -CP
DIGI-P.W.Board			C7406	08S35349Y12	CAP,CER 105K-B0J -CP
DIGI-P.W.Board			C7501	08S45232Y17	CAP,CER 104K-B0J -CP
DIGI-P.W.Board			C7504	08S45232Y17	CAP,CER 104K-B0J -CP
DIGI-P.W.Board			C7506	08S45231Y14	CAP,CER 12RJ-CH1H-CP
DIGI-P.W.Board			C7507	08S45231Y14	CAP,CER 12RJ-CH1H-CP
DIGI-P.W.Board			C7600	08S45232Y17	CAP,CER 104K-B0J -CP
DIGI-P.W.Board			C7601	08S45232Y13	CAP,CER 223K-B1C -CP
DIGI-P.W.Board			C7602	08S45232Y11	CAP,CER 103K-B1C -CP
DIGI-P.W.Board			C7603	08S45231Y25	CAP,CER 101J-CH1H-CP
DIGI-P.W.Board			C7800	08S45231Y25	CAP,CER 101J-CH1H-CP
DIGI-P.W.Board			C7801	08S45231Y25	CAP,CER 101J-CH1H-CP
DIGI-P.W.Board			C7802	08S45231Y25	CAP,CER 101J-CH1H-CP
DIGI-P.W.Board			C7803	08S45231Y25	CAP,CER 101J-CH1H-CP
DIGI-P.W.Board			C7804	08S45231Y25	CAP,CER 101J-CH1H-CP
DIGI-P.W.Board			C7805	08S45231Y25	CAP,CER 101J-CH1H-CP
DIGI-P.W.Board			C7806	08S45231Y25	CAP,CER 101J-CH1H-CP
DIGI-P.W.Board			C7807	08S45231Y25	CAP,CER 101J-CH1H-CP
DIGI-P.W.Board			C7808	08S45231Y25	CAP,CER 101J-CH1H-CP
DIGI-P.W.Board			C7809	08S45231Y25	CAP,CER 101J-CH1H-CP
DIGI-P.W.Board			C7900	08S65667Y05	CAP,CER 105KX5R1A-CP
DIGI-P.W.Board			C7901	08S60102F48	CAP,CER 105K-B1E -CP


P.W.Board	MIS	MODEL	Ref.	Parts No.	Parts Name
DIGI-P.W.Board			C7902	08S35349Y12	CAP,CER 105K-B0J -CP
DIGI-P.W.Board			C7903	08S35349Y12	CAP,CER 105K-B0J -CP
DIGI-P.W.Board			C7904	08S45232Y13	CAP,CER 223K-B1C -CP
DIGI-P.W.Board			C7905	08S45232Y13	CAP,CER 223K-B1C -CP
DIGI-P.W.Board			CB7600	09-11455Z01	SKT,YKF45-0039N -DB
DIGI-P.W.Board			CB7800	09T75225Y40	FFC,51374-4093 -ER
DIGI-P.W.Board			CB7900	09T75225Y40	FFC,51374-4093 -ER
DIGI-P.W.Board			D7600	48-08988Z01	VST,EZJZ0V800AA -CP
DIGI-P.W.Board			D7601	48-08988Z01	VST,EZJZ0V800AA -CP
DIGI-P.W.Board			E7000	23S75244Y04	CAP,ELY 221-0J -E6
DIGI-P.W.Board			E7001	23S75244Y04	CAP,ELY 221-0J -E6
DIGI-P.W.Board			E7400	23S75244Y25	CAP,ELY 22R-1E -E3
DIGI-P.W.Board			E7600	23S75244Y04	CAP,ELY 221-0J -E6
DIGI-P.W.Board			E7601	23S75244Y19	CAP,ELY 101-1C -E6
DIGI-P.W.Board			IC7001	51T15185Y02	TC7SH08FU,JF-L -CP
DIGI-P.W.Board			IC7002	51-10836Z01	R5S72630P200FPV -QT
DIGI-P.W.Board			IC7100	53-13507Z33	OFL, V0.70MRAL806AAF1
DIGI-P.W.Board			IC7101	53-13507Z34	OFL, V0.70MRAL806AAF2
DIGI-P.W.Board			IC7200	51-12212Z01	MT48LC2M32B2P-7IT-ST
DIGI-P.W.Board			IC7300	51-09817Z01	V112_V1-00 -LE6
DIGI-P.W.Board			IC7400	51-09404Z01	PCM1754DBQR -SE2
DIGI-P.W.Board			IC7500	51T15185Y02	TC7SH08FU,JF-L -CP
DIGI-P.W.Board			IC7501	51T35039Y01	TC7SU04FU-TE85L -CP
DIGI-P.W.Board			IC7600	51-07917Z01	BD6519FJ-E2 -SE2
DIGI-P.W.Board			IC7900	51-09524Z01	LT3491ESC8 -CP
DIGI-P.W.Board			L7000	24T95456W27	FBI,BLM18PG181SH1-CP
DIGI-P.W.Board			L7001	24T95456W27	FBI,BLM18PG181SH1-CP
DIGI-P.W.Board			L7002	24T95456W27	FBI,BLM18PG181SH1-CP
DIGI-P.W.Board			L7003	24T95456W27	FBI,BLM18PG181SH1-CP
DIGI-P.W.Board			L7004	24T95456W27	FBI,BLM18PG181SH1-CP
DIGI-P.W.Board			L7100	24T95456W27	FBI,BLM18PG181SH1-CP
DIGI-P.W.Board			L7200	24T95456W27	FBI,BLM18PG181SH1-CP
DIGI-P.W.Board			L7400	24T95456W27	FBI,BLM18PG181SH1-CP
DIGI-P.W.Board			L7800	24T95456W27	FBI,BLM18PG181SH1-CP
DIGI-P.W.Board			L7900	24T95456W27	FBI,BLM18PG181SH1-CP
DIGI-P.W.Board			L7902	24-09343Z01	IND,LQH2MCN 10RK -CP
DIGI-P.W.Board			Q7500	48T75205Y01	TR,FMC2A-T148 -CP
DIGI-P.W.Board			R7000	06S15615Y81	RES,RK 223J 1/16 -CP
DIGI-P.W.Board			R7001	06S15615Y81	RES,RK 223J 1/16 -CP
DIGI-P.W.Board			R7003	06S15615Y81	RES,RK 223J 1/16 -CP
DIGI-P.W.Board			R7006	06S15615Y81	RES,RK 223J 1/16 -CP
DIGI-P.W.Board			R7007	06S15615Y81	RES,RK 223J 1/16 -CP
DIGI-P.W.Board			R7008	06S15615Y81	RES,RK 223J 1/16 -CP
DIGI-P.W.Board			R7010	06S15615Y25	RES,RK 101J 1/16 -CP
DIGI-P.W.Board			R7011	06S65415Y41	RES,RK 223F 1/16 -CP
DIGI-P.W.Board			R7012	06S15615Y73	RES,RK 103J 1/16 -CP
DIGI-P.W.Board			R7013	06S15615Y73	RES,RK 103J 1/16 -CP

P.W.Board	MIS	MODEL	Ref.	Parts No.	Parts Name
DIGI-P.W.Board			R7014	06S15615Y73	RES,RK 103J 1/16 -CP
DIGI-P.W.Board			R7015	06S15615Y13	RES,RK 33RJ 1/16 -CP
DIGI-P.W.Board			R7016	06S15615Y37	RES,RK 331J 1/16 -CP
DIGI-P.W.Board			R7018	06S15615Y13	RES,RK 33RJ 1/16 -CP
DIGI-P.W.Board			R7019	06S15615Y13	RES,RK 33RJ 1/16 -CP
DIGI-P.W.Board			R7020	06S15615Y13	RES,RK 33RJ 1/16 -CP
DIGI-P.W.Board			R7022	06S15615Y13	RES,RK 33RJ 1/16 -CP
DIGI-P.W.Board			R7023	06S15615Y13	RES,RK 33RJ 1/16 -CP
DIGI-P.W.Board			R7024	06S15615Y13	RES,RK 33RJ 1/16 -CP
DIGI-P.W.Board			R7025	06S15615Y65	RES,RK 472J 1/16 -CP
DIGI-P.W.Board			R7028	06S15615Y13	RES,RK 33RJ 1/16 -CP
DIGI-P.W.Board			R7030	06S15615Y13	RES,RK 33RJ 1/16 -CP
DIGI-P.W.Board			R7031	06S15615Y13	RES,RK 33RJ 1/16 -CP
DIGI-P.W.Board			R7032	06S15615Y13	RES,RK 33RJ 1/16 -CP
DIGI-P.W.Board			R7033	06S15615Y13	RES,RK 33RJ 1/16 -CP
DIGI-P.W.Board			R7034	06S15615Y37	RES,RK 331J 1/16 -CP
DIGI-P.W.Board			R7036	06S15615Y13	RES,RK 33RJ 1/16 -CP
DIGI-P.W.Board			R7038	06S15615Y13	RES,RK 33RJ 1/16 -CP
DIGI-P.W.Board			R7039	06S15615Y13	RES,RK 33RJ 1/16 -CP
DIGI-P.W.Board			R7040	06S15615Y13	RES,RK 33RJ 1/16 -CP
DIGI-P.W.Board			R7041	06S15615Y65	RES,RK 472J 1/16 -CP
DIGI-P.W.Board			R7042	06S15615Y13	RES,RK 33RJ 1/16 -CP
DIGI-P.W.Board			R7043	06S15615Y37	RES,RK 331J 1/16 -CP
DIGI-P.W.Board			R7045	06S15615Y13	RES,RK 33RJ 1/16 -CP
DIGI-P.W.Board			R7047	06S15615Y65	RES,RK 472J 1/16 -CP
DIGI-P.W.Board			R7048	06S15615Y25	RES,RK 101J 1/16 -CP
DIGI-P.W.Board			R7049	06S15615Y25	RES,RK 101J 1/16 -CP
DIGI-P.W.Board			R7050	06S15615Y25	RES,RK 101J 1/16 -CP
DIGI-P.W.Board			R7051	06S15615Y13	RES,RK 33RJ 1/16 -CP
DIGI-P.W.Board			R7052	06S15615Y13	RES,RK 33RJ 1/16 -CP
DIGI-P.W.Board			R7053	06S15615Y25	RES,RK 101J 1/16 -CP
DIGI-P.W.Board			R7054	06S15615Y13	RES,RK 33RJ 1/16 -CP
DIGI-P.W.Board			R7055	06S15615Y25	RES,RK 101J 1/16 -CP
DIGI-P.W.Board			R7056	06S15615Y81	RES,RK 223J 1/16 -CP
DIGI-P.W.Board			R7057	06S15615Y25	RES,RK 101J 1/16 -CP
DIGI-P.W.Board			R7058	06S15615Y17	RES,RK 47RJ 1/16 -CP
DIGI-P.W.Board			R7059	06S15615Y49	RES,RK 102J 1/16 -CP
DIGI-P.W.Board			R7060	06S15615Y49	RES,RK 102J 1/16 -CP
DIGI-P.W.Board			R7061	06S15616Y23	RES,RK JUMPER1/16-CP
DIGI-P.W.Board			R7062	06S15615Y81	RES,RK 223J 1/16 -CP
DIGI-P.W.Board			R7063	06S15616Y23	RES,RK JUMPER1/16-CP
DIGI-P.W.Board			R7064	06S15615Y13	RES,RK 33RJ 1/16 -CP
DIGI-P.W.Board			R7065	06S15616Y23	RES,RK JUMPER1/16-CP
DIGI-P.W.Board			R7066	06S15616Y23	RES,RK JUMPER1/16-CP
DIGI-P.W.Board			R7067	06S15615Y57	RES,RK 222J 1/16 -CP
DIGI-P.W.Board			R7072	06S65415Y34	RES,RK 562F 1/16 -CP
DIGI-P.W.Board			R7073	06S15615Y25	RES,RK 101J 1/16 -CP




P.W.Board	MIS	MODEL	Ref.	Parts No.	Parts Name
DIGI-P.W.Board			R7074	06S15615Y25	RES,RK 101J 1/16 -CP
DIGI-P.W.Board			R7075	06S15615Y25	RES,RK 101J 1/16 -CP
DIGI-P.W.Board			R7076	06S15615Y13	RES,RK 33RJ 1/16 -CP
DIGI-P.W.Board			R7082	06S15615Y25	RES,RK 101J 1/16 -CP
DIGI-P.W.Board			R7083	06S15616Y22	RES,RK 105J 1/16 -CP
DIGI-P.W.Board			R7084	06S15615Y25	RES,RK 101J 1/16 -CP
DIGI-P.W.Board			R7085	06S15615Y25	RES,RK 101J 1/16 -CP
DIGI-P.W.Board			R7087	06S15615Y25	RES,RK 101J 1/16 -CP
DIGI-P.W.Board			R7088	06S15615Y13	RES,RK 33RJ 1/16 -CP
DIGI-P.W.Board			R7089	06S15615Y25	RES,RK 101J 1/16 -CP
DIGI-P.W.Board			R7090	06S15615Y25	RES,RK 101J 1/16 -CP
DIGI-P.W.Board			R7091	06S15615Y25	RES,RK 101J 1/16 -CP
DIGI-P.W.Board			R7092	06S15615Y13	RES,RK 33RJ 1/16 -CP
DIGI-P.W.Board			R7093	06S15615Y65	RES,RK 472J 1/16 -CP
DIGI-P.W.Board			R7094	06S15615Y65	RES,RK 472J 1/16 -CP
DIGI-P.W.Board			R7095	06S15615Y65	RES,RK 472J 1/16 -CP
DIGI-P.W.Board			R7096	06S15615Y81	RES,RK 223J 1/16 -CP
DIGI-P.W.Board			R7097	06S15615Y81	RES,RK 223J 1/16 -CP
DIGI-P.W.Board			R7098	06S15615Y81	RES,RK 223J 1/16 -CP
DIGI-P.W.Board			R7100	06S15615Y13	RES,RK 33RJ 1/16 -CP
DIGI-P.W.Board			R7101	06S15615Y13	RES,RK 33RJ 1/16 -CP
DIGI-P.W.Board			R7102	06S15615Y13	RES,RK 33RJ 1/16 -CP
DIGI-P.W.Board			R7103	06S15615Y13	RES,RK 33RJ 1/16 -CP
DIGI-P.W.Board			R7104	06S15615Y13	RES,RK 33RJ 1/16 -CP
DIGI-P.W.Board			R7105	06S15615Y13	RES,RK 33RJ 1/16 -CP
DIGI-P.W.Board			R7106	06S15615Y25	RES,RK 101J 1/16 -CP
DIGI-P.W.Board			R7107	06S15615Y13	RES,RK 33RJ 1/16 -CP
DIGI-P.W.Board			R7108	06S15615Y65	RES,RK 472J 1/16 -CP
DIGI-P.W.Board			R7109	06S15615Y65	RES,RK 472J 1/16 -CP
DIGI-P.W.Board			R7110	06S15615Y65	RES,RK 472J 1/16 -CP
DIGI-P.W.Board			R7111	06S15615Y65	RES,RK 472J 1/16 -CP
DIGI-P.W.Board			R7112	06S15615Y65	RES,RK 472J 1/16 -CP
DIGI-P.W.Board			R7113	06S15615Y73	RES,RK 103J 1/16 -CP
DIGI-P.W.Board			R7114	06S15615Y73	RES,RK 103J 1/16 -CP
DIGI-P.W.Board			R7115	06S15615Y65	RES,RK 472J 1/16 -CP
DIGI-P.W.Board			R7116	06S15615Y65	RES,RK 472J 1/16 -CP
DIGI-P.W.Board			R7117	06S15615Y65	RES,RK 472J 1/16 -CP
DIGI-P.W.Board			R7118	06S15615Y65	RES,RK 472J 1/16 -CP
DIGI-P.W.Board			R7119	06S15615Y65	RES,RK 472J 1/16 -CP
DIGI-P.W.Board			R7120	06S15615Y65	RES,RK 472J 1/16 -CP
DIGI-P.W.Board			R7121	06S15615Y65	RES,RK 472J 1/16 -CP
DIGI-P.W.Board			R7122	06S15615Y65	RES,RK 472J 1/16 -CP
DIGI-P.W.Board			R7123	06S15615Y65	RES,RK 472J 1/16 -CP
DIGI-P.W.Board			R7124	06S15615Y65	RES,RK 472J 1/16 -CP
DIGI-P.W.Board			R7125	06S15615Y13	RES,RK 33RJ 1/16 -CP
DIGI-P.W.Board			R7126	06S15615Y13	RES,RK 33RJ 1/16 -CP
DIGI-P.W.Board			R7127	06S15615Y13	RES,RK 33RJ 1/16 -CP

P.W.Board	MIS	MODEL	Ref.	Parts No.	Parts Name
DIGI-P.W.Board			R7128	06S15615Y53	RES,RK 152J 1/16 -CP
DIGI-P.W.Board			R7129	06S15615Y57	RES,RK 222J 1/16 -CP
DIGI-P.W.Board			R7200	06S15615Y13	RES,RK 33RJ 1/16 -CP
DIGI-P.W.Board			R7205	06S15615Y13	RES,RK 33RJ 1/16 -CP
DIGI-P.W.Board			R7206	06S15615Y13	RES,RK 33RJ 1/16 -CP
DIGI-P.W.Board			R7207	06S15615Y13	RES,RK 33RJ 1/16 -CP
DIGI-P.W.Board			R7208	06S15615Y13	RES,RK 33RJ 1/16 -CP
DIGI-P.W.Board			R7209	06S15615Y13	RES,RK 33RJ 1/16 -CP
DIGI-P.W.Board			R7210	06S15615Y13	RES,RK 33RJ 1/16 -CP
DIGI-P.W.Board			R7215	06S15615Y13	RES,RK 33RJ 1/16 -CP
DIGI-P.W.Board			R7216	06S15615Y13	RES,RK 33RJ 1/16 -CP
DIGI-P.W.Board			R7217	06S15615Y13	RES,RK 33RJ 1/16 -CP
DIGI-P.W.Board			R7218	06S15615Y13	RES,RK 33RJ 1/16 -CP
DIGI-P.W.Board			R7223	06S15615Y13	RES,RK 33RJ 1/16 -CP
DIGI-P.W.Board			R7224	06S15615Y13	RES,RK 33RJ 1/16 -CP
DIGI-P.W.Board			R7229	06S15615Y13	RES,RK 33RJ 1/16 -CP
DIGI-P.W.Board			R7230	06S15615Y13	RES,RK 33RJ 1/16 -CP
DIGI-P.W.Board			R7231	06S15615Y13	RES,RK 33RJ 1/16 -CP
DIGI-P.W.Board			R7240	06S15615Y13	RES,RK 33RJ 1/16 -CP
DIGI-P.W.Board			R7241	06S15615Y13	RES,RK 33RJ 1/16 -CP
DIGI-P.W.Board			R7300	06S15615Y65	RES,RK 472J 1/16 -CP
DIGI-P.W.Board			R7301	06S15615Y65	RES,RK 472J 1/16 -CP
DIGI-P.W.Board			R7302	06S15615Y81	RES,RK 223J 1/16 -CP
DIGI-P.W.Board			R7303	06S15615Y81	RES,RK 223J 1/16 -CP
DIGI-P.W.Board			R7304	06S15615Y81	RES,RK 223J 1/16 -CP
DIGI-P.W.Board			R7305	06S15615Y13	RES,RK 33RJ 1/16 -CP
DIGI-P.W.Board			R7306	06S15615Y13	RES,RK 33RJ 1/16 -CP
DIGI-P.W.Board			R7307	06S15615Y13	RES,RK 33RJ 1/16 -CP
DIGI-P.W.Board			R7308	06S15615Y97	RES,RK 104J 1/16 -CP
DIGI-P.W.Board			R7309	06S15616Y39	RES,RK 475J 1/16 -CP
DIGI-P.W.Board			R7400	06S15615Y81	RES,RK 223J 1/16 -CP
DIGI-P.W.Board			R7405	06S15615Y25	RES,RK 101J 1/16 -CP
DIGI-P.W.Board			R7406	06S15615Y25	RES,RK 101J 1/16 -CP
DIGI-P.W.Board			R7410	06S15615Y13	RES,RK 33RJ 1/16 -CP
DIGI-P.W.Board			R7500	06S15616Y22	RES,RK 105J 1/16 -CP
DIGI-P.W.Board			R7501	06S15615Y89	RES,RK 473J 1/16 -CP
DIGI-P.W.Board			R7502	06S15615Y81	RES,RK 223J 1/16 -CP
DIGI-P.W.Board			R7503	06S15615Y37	RES,RK 331J 1/16 -CP
DIGI-P.W.Board			R7504	06S15615Y25	RES,RK 101J 1/16 -CP
DIGI-P.W.Board			R7505	06S15615Y25	RES,RK 101J 1/16 -CP
DIGI-P.W.Board			R7507	06S15594Y23	RES,RK JUMPER1/10-CP
DIGI-P.W.Board			R7600	06S15615Y65	RES,RK 472J 1/16 -CP
DIGI-P.W.Board			R7601	06S55361Y97	RES,RK 223J 1/4 -CP
DIGI-P.W.Board			R7602	06S15615Y81	RES,RK 223J 1/16 -CP
DIGI-P.W.Board			R7603	06S15615Y13	RES,RK 33RJ 1/16 -CP
DIGI-P.W.Board			R7800	06S15615Y81	RES,RK 223J 1/16 -CP
DIGI-P.W.Board			R7802	06S15615Y81	RES,RK 223J 1/16 -CP

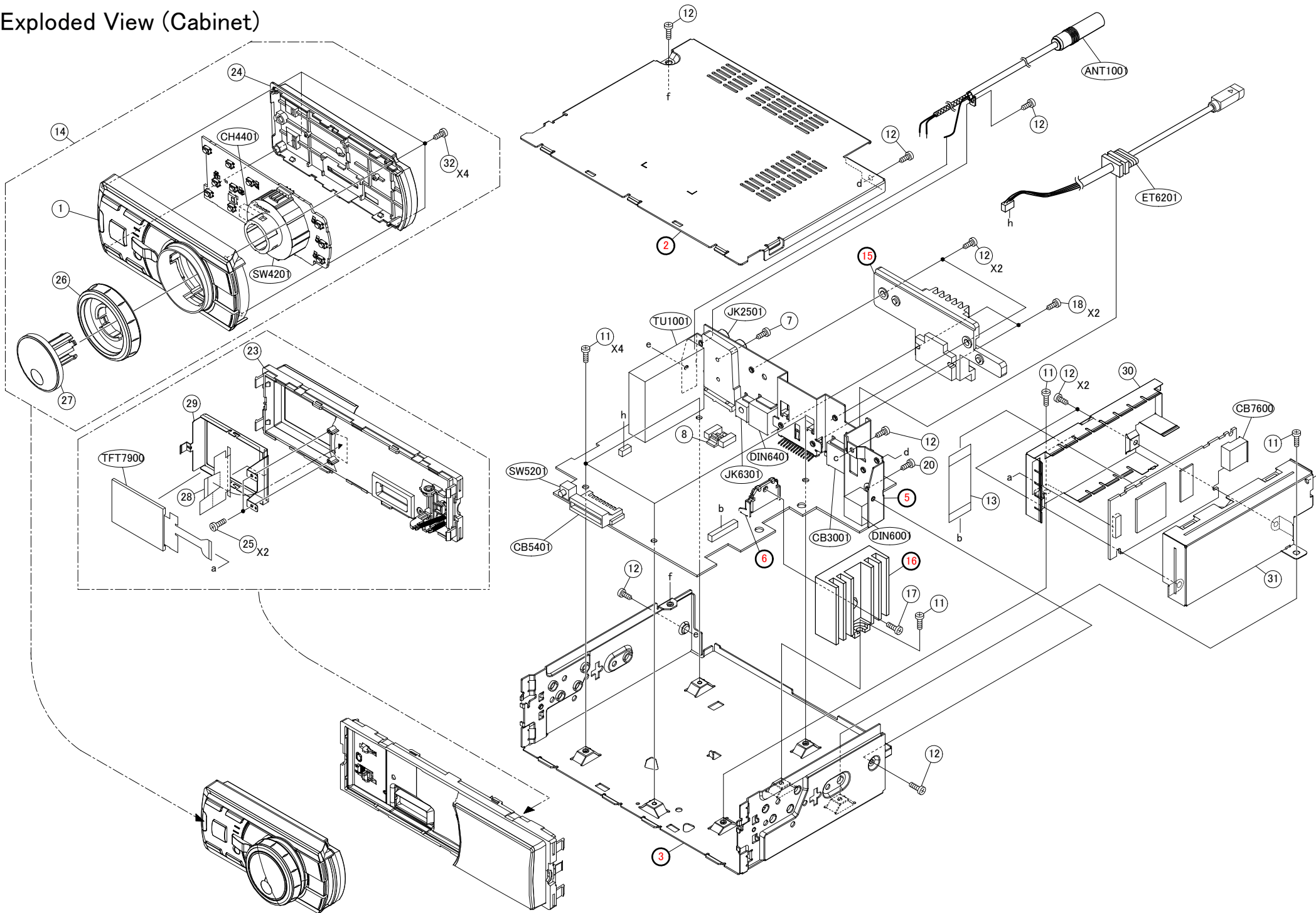
P.W.Board	MIS	MODEL	Ref.	Parts No.	Parts Name
DIGI-P.W.Board			R7900	06S65415Y02	RES,RK 12RF 1/16 -CP
DIGI-P.W.Board			R7902	06S65415Y49	RES,RK 104F 1/16 -CP
DIGI-P.W.Board			R7903	06S65415Y49	RES,RK 104F 1/16 -CP
DIGI-P.W.Board			R7904	06S15615Y33	RES,RK 221J 1/16 -CP
DIGI-P.W.Board			R7905	06S15615Y31	RES,RK 181J 1/16 -CP
DIGI-P.W.Board			R7906	06S15615Y65	RES,RK 472J 1/16 -CP
DIGI-P.W.Board			R7907	06S15615Y31	RES,RK 181J 1/16 -CP
DIGI-P.W.Board			R7908	06S15615Y31	RES,RK 181J 1/16 -CP
DIGI-P.W.Board			R7912	06S15594Y23	RES,RK JUMPER1/10-CP
DIGI-P.W.Board			RA7000	06S15771Y07	RES,ARYEXB28V33RJ-CP
DIGI-P.W.Board			RA7001	06S15771Y07	RES,ARYEXB28V33RJ-CP
DIGI-P.W.Board			RA7002	06S15771Y07	RES,ARYEXB28V33RJ-CP
DIGI-P.W.Board			RA7004	06S15771Y07	RES,ARYEXB28V33RJ-CP
DIGI-P.W.Board			RA7008	06S15771Y07	RES,ARYEXB28V33RJ-CP
DIGI-P.W.Board			RA7009	06S15771Y07	RES,ARYEXB28V33RJ-CP
DIGI-P.W.Board			RA7010	06S15771Y07	RES,ARYEXB28V33RJ-CP
DIGI-P.W.Board			RA7011	06S15771Y07	RES,ARYEXB28V33RJ-CP
DIGI-P.W.Board			RA7012	06S15771Y41	RES,ARYEXB28V223J-CP
DIGI-P.W.Board			RA7014	06S15771Y41	RES,ARYEXB28V223J-CP
DIGI-P.W.Board			RA7015	06S15771Y07	RES,ARYEXB28V33RJ-CP
DIGI-P.W.Board			RA7016	06S15771Y07	RES,ARYEXB28V33RJ-CP
DIGI-P.W.Board			RA7017	06S15771Y07	RES,ARYEXB28V33RJ-CP
DIGI-P.W.Board			RA7018	06S15771Y07	RES,ARYEXB28V33RJ-CP
DIGI-P.W.Board			RA7100	06S15771Y07	RES,ARYEXB28V33RJ-CP
DIGI-P.W.Board			RA7101	06S15771Y07	RES,ARYEXB28V33RJ-CP
DIGI-P.W.Board			RA7102	06S15771Y07	RES,ARYEXB28V33RJ-CP
DIGI-P.W.Board			RA7103	06S15771Y07	RES,ARYEXB28V33RJ-CP
DIGI-P.W.Board			RA7104	06S15771Y07	RES,ARYEXB28V33RJ-CP
DIGI-P.W.Board			RA7105	06S15771Y07	RES,ARYEXB28V33RJ-CP
DIGI-P.W.Board			RA7106	06S15771Y07	RES,ARYEXB28V33RJ-CP
DIGI-P.W.Board			RA7107	06S15771Y07	RES,ARYEXB28V33RJ-CP
DIGI-P.W.Board			RA7108	06S15771Y07	RES,ARYEXB28V33RJ-CP
DIGI-P.W.Board			RA7109	06S15771Y07	RES,ARYEXB28V33RJ-CP
DIGI-P.W.Board			RA7110	06S15771Y07	RES,ARYEXB28V33RJ-CP
DIGI-P.W.Board			RA7111	06S15771Y07	RES,ARYEXB28V33RJ-CP
DIGI-P.W.Board			RA7112	06S15771Y07	RES,ARYEXB28V33RJ-CP
DIGI-P.W.Board			RA7113	06S15771Y07	RES,ARYEXB28V33RJ-CP
DIGI-P.W.Board			RA7114	06S15771Y07	RES,ARYEXB28V33RJ-CP
DIGI-P.W.Board			RA7115	06S15771Y07	RES,ARYEXB28V33RJ-CP
DIGI-P.W.Board			RA7116	06S15771Y07	RES,ARYEXB28V33RJ-CP
DIGI-P.W.Board			RA7117	06S15771Y07	RES,ARYEXB28V33RJ-CP
DIGI-P.W.Board			RA7118	06S15771Y07	RES,ARYEXB28V33RJ-CP
DIGI-P.W.Board			RA7119	06S15771Y07	RES,ARYEXB28V33RJ-CP
DIGI-P.W.Board			RA7203	06S15771Y07	RES,ARYEXB28V33RJ-CP
DIGI-P.W.Board			RA7207	06S15771Y07	RES,ARYEXB28V33RJ-CP
DIGI-P.W.Board			RA7209	06S15771Y07	RES,ARYEXB28V33RJ-CP
DIGI-P.W.Board			RA7210	06S15771Y07	RES,ARYEXB28V33RJ-CP

P.W.Board	MIS	MODEL	Ref.	Parts No.	Parts Name
DIGI-P.W.Board			RA7211	06S15771Y07	RES,ARYEXB28V33RJ-CP
DIGI-P.W.Board			RA7212	06S15771Y07	RES,ARYEXB28V33RJ-CP
DIGI-P.W.Board			RA7213	06S15771Y07	RES,ARYEXB28V33RJ-CP
DIGI-P.W.Board			RA7900	06S15771Y16	RES,ARYEXB28V181J-CP
DIGI-P.W.Board			RA7901	06S15771Y16	RES,ARYEXB28V181J-CP
DIGI-P.W.Board			RA7902	06S15771Y16	RES,ARYEXB28V181J-CP
DIGI-P.W.Board			RA7903	06S15771Y16	RES,ARYEXB28V181J-CP
DIGI-P.W.Board			SD7000	48-09587Z01	DIO,SHT KDR728E -CP
DIGI-P.W.Board			SD7001	48-09587Z01	DIO,SHT KDR728E -CP
DIGI-P.W.Board			XL7000	91T55274Y06	XTL,NX5032GA 16.5-E2
DIGI-P.W.Board			XL7001	91T55274Y29	XTL,NX5032GA 48.0-E2
DIGI-P.W.Board			XL7300	91T95554W01	XTL,CM200S 32.76K-E5
DIGI-P.W.Board			XL7500	91T55217Y01	XTL,NX8045GB 16.9-E5
DIGI-P.W.Board			Z7000	91T65123Y02	EMI,DLW21SN900SQ2-CP
FRONT-P.W.Board			C4103	08S35349Y11	CAP,CER 223K-B1H -CP
FRONT-P.W.Board			C4301	08S35349Y16	CAP,CER 105K-B1A -CP
FRONT-P.W.Board			C4401	08S35349Y11	CAP,CER 223K-B1H -CP
FRONT-P.W.Board			C4501	08S35349Y16	CAP,CER 105K-B1A -CP
FRONT-P.W.Board			C4502	08S35349Y11	CAP,CER 223K-B1H -CP
FRONT-P.W.Board			CH4401	09-05559Z01	BTB,DF15-P -B
FRONT-P.W.Board			D4301	48T85357W01	DIO,1PS226 -CP
FRONT-P.W.Board			IC4101	51T25238Y04	TC7SH32FU,JF-L -CP
FRONT-P.W.Board			IC4301	51-01707Z01	RS-771 -NE2
FRONT-P.W.Board			IC4501	51T93332F02	NJM2903V-TE2 -SE2
FRONT-P.W.Board			LD4101	48-11415Z01	LED,RED KPT-1608S-CP
FRONT-P.W.Board			LD4102	48-11415Z01	LED,RED KPT-1608S-CP
FRONT-P.W.Board			LD4103	48-11415Z01	LED,RED KPT-1608S-CP
FRONT-P.W.Board			LD4104	48-11415Z01	LED,RED KPT-1608S-CP
FRONT-P.W.Board			LD4105	48-11415Z01	LED,RED KPT-1608S-CP
FRONT-P.W.Board			LD4106	48-11415Z01	LED,RED KPT-1608S-CP
FRONT-P.W.Board			LD4107	48-11415Z01	LED,RED KPT-1608S-CP
FRONT-P.W.Board			LD4108	48-11415Z01	LED,RED KPT-1608S-CP
FRONT-P.W.Board			LD4109	48-11415Z01	LED,RED KPT-1608S-CP
FRONT-P.W.Board			LD4110	48-11415Z01	LED,RED KPT-1608S-CP
FRONT-P.W.Board			LD4111	48-11415Z01	LED,RED KPT-1608S-CP
FRONT-P.W.Board			LD4112	48-11416Z02	LED,BLU SSB-ULD-WXCP
FRONT-P.W.Board			LD4113	48-11416Z02	LED,BLU SSB-ULD-WXCP
FRONT-P.W.Board			LD4114	48-11416Z02	LED,BLU SSB-ULD-WXCP
FRONT-P.W.Board			LD4115	48-11416Z02	LED,BLU SSB-ULD-WXCP
FRONT-P.W.Board			LD4116	48-11137Z01	LED,BLU UB1116W -CP
FRONT-P.W.Board			LD4117	48-11137Z01	LED,BLU UB1116W -CP
FRONT-P.W.Board			LD4118	48-11137Z01	LED,BLU UB1116W -CP
FRONT-P.W.Board			LD4119	48-11137Z01	LED,BLU UB1116W -CP
FRONT-P.W.Board			LD4120	48-11137Z01	LED,BLU UB1116W -CP
FRONT-P.W.Board			LD4121	48-11137Z01	LED,BLU UB1116W -CP
FRONT-P.W.Board			LD4122	48-11415Z01	LED,RED KPT-1608S-CP
FRONT-P.W.Board			LD4123	48-11416Z02	LED,BLU SSB-ULD-WXCP

P.W.Board	MIS	MODEL	Ref.	Parts No.	Parts Name
FRONT-P.W.Board			LD4124	48-11137Z01	LED,BLU UB1116W -CP
FRONT-P.W.Board			LD4127	48-11946Z01	LED,WHT SMLZ13WBD-CP
FRONT-P.W.Board			Q4101	48T63417F01	TR,2SC2412K-96 -CP
FRONT-P.W.Board			Q4102	48T63417F01	TR,2SC2412K-96 -CP
FRONT-P.W.Board			Q4103	48T62967F25	TR,DTC123JKA-T146-CP
FRONT-P.W.Board			Q4104	48T63788F04	TR,2SD1328-T-TX -CP
FRONT-P.W.Board			Q4105	48T63788F04	TR,2SD1328-T-TX -CP
FRONT-P.W.Board			Q4550	48T75205Y02	TR,FMC3A-T148 -CP
FRONT-P.W.Board			Q4551	48T94606F51	TR,DTA144EUA-T106-CP
FRONT-P.W.Board			R4001	06S35083Y29	RES,RK 222F 1/4 -CP
FRONT-P.W.Board			R4002	06S35083Y32	RES,RK 392F 1/4 -CP
FRONT-P.W.Board			R4003	06S35083Y36	RES,RK 822F 1/4 -CP
FRONT-P.W.Board			R4004	06S35083Y42	RES,RK 273F 1/4 -CP
FRONT-P.W.Board			R4005	06S35083Y29	RES,RK 222F 1/4 -CP
FRONT-P.W.Board			R4006	06S35083Y32	RES,RK 392F 1/4 -CP
FRONT-P.W.Board			R4007	06S35083Y36	RES,RK 822F 1/4 -CP
FRONT-P.W.Board			R4008	06S35083Y29	RES,RK 222F 1/4 -CP
FRONT-P.W.Board			R4009	06S35083Y32	RES,RK 392F 1/4 -CP
FRONT-P.W.Board			R4010	06S35083Y36	RES,RK 822F 1/4 -CP
FRONT-P.W.Board			R4011	06S35083Y42	RES,RK 273F 1/4 -CP
FRONT-P.W.Board			R4101	06S55361Y64	RES,RK 911J 1/4 -CP
FRONT-P.W.Board			R4102	06S55361Y64	RES,RK 911J 1/4 -CP
FRONT-P.W.Board			R4103	06S55361Y63	RES,RK 821J 1/4 -CP
FRONT-P.W.Board			R4104	06S55361Y67	RES,RK 122J 1/4 -CP
FRONT-P.W.Board			R4105	06S55361Y63	RES,RK 821J 1/4 -CP
FRONT-P.W.Board			R4106	06S55361Y63	RES,RK 821J 1/4 -CP
FRONT-P.W.Board			R4107	06S55361Y56	RES,RK 431J 1/4 -CP
FRONT-P.W.Board			R4108	06S55361Y56	RES,RK 431J 1/4 -CP
FRONT-P.W.Board			R4109	06S55361Y64	RES,RK 911J 1/4 -CP
FRONT-P.W.Board			R4110	06S55361Y61	RES,RK 681J 1/4 -CP
FRONT-P.W.Board			R4111	06S55361Y53	RES,RK 331J 1/4 -CP
FRONT-P.W.Board			R4112	06S55361Y64	RES,RK 911J 1/4 -CP
FRONT-P.W.Board			R4113	06S55361Y76	RES,RK 302J 1/4 -CP
FRONT-P.W.Board			R4114	06S55361Y75	RES,RK 272J 1/4 -CP
FRONT-P.W.Board			R4115	06S55361Y61	RES,RK 681J 1/4 -CP
FRONT-P.W.Board			R4116	06S55361Y61	RES,RK 681J 1/4 -CP
FRONT-P.W.Board			R4118	06S15593Y49	RES,RK 102F 1/10 -CP
FRONT-P.W.Board			R4119	06S15593Y49	RES,RK 102F 1/10 -CP
FRONT-P.W.Board			R4120	06S55361Y59	RES,RK 561J 1/4 -CP
FRONT-P.W.Board			R4121	06S15593Y57	RES,RK 222F 1/10 -CP
FRONT-P.W.Board			R4122	06S15593Y89	RES,RK 473F 1/10 -CP
FRONT-P.W.Board			R4123	06S15593Y57	RES,RK 222F 1/10 -CP
FRONT-P.W.Board			R4124	06S15593Y89	RES,RK 473F 1/10 -CP
FRONT-P.W.Board			R4126	06S15593Y41	RES,RK 471F 1/10 -CP
FRONT-P.W.Board			R4127	06S15593Y41	RES,RK 471F 1/10 -CP
FRONT-P.W.Board			R4301	06S35083Y13	RES,RK 101F 1/4 -CP
FRONT-P.W.Board			R4406	06S55363Y65	RES,RK 102J 1/8 -CP

P.W.Board	MIS	MODEL	Ref.	Parts No.	Parts Name
FRONT-P.W.Board			R4407	06S55363Y65	RES,RK 102J 1/8 -CP
FRONT-P.W.Board			R4408	06S55363Y65	RES,RK 102J 1/8 -CP
FRONT-P.W.Board			R4410	06S55363Y65	RES,RK 102J 1/8 -CP
FRONT-P.W.Board			R4411	06S35083Y38	RES,RK 123F 1/4 -CP
FRONT-P.W.Board			R4503	06S15593Y81	RES,RK 223F 1/10 -CP
FRONT-P.W.Board			R4504	06S15593Y73	RES,RK 103F 1/10 -CP
FRONT-P.W.Board			R4505	06S15593Y61	RES,RK 332F 1/10 -CP
FRONT-P.W.Board			R4506	06S15593Y59	RES,RK 272F 1/10 -CP
FRONT-P.W.Board			R4507	06S15593Y65	RES,RK 472F 1/10 -CP
FRONT-P.W.Board			R4508	06S15593Y49	RES,RK 102F 1/10 -CP
FRONT-P.W.Board			R4550	06S15593Y73	RES,RK 103F 1/10 -CP
FRONT-P.W.Board			SW4001	40T65353Y01	SW,TACT SKRSPACE010E2
FRONT-P.W.Board			SW4002	40T65353Y01	SW,TACT SKRSPACE010E2
FRONT-P.W.Board			SW4003	40T65353Y01	SW,TACT SKRSPACE010E2
FRONT-P.W.Board			SW4004	40T65353Y01	SW,TACT SKRSPACE010E2
FRONT-P.W.Board			SW4005	40T65353Y01	SW,TACT SKRSPACE010E2
FRONT-P.W.Board			SW4006	40T65353Y01	SW,TACT SKRSPACE010E2
FRONT-P.W.Board			SW4007	40T65353Y01	SW,TACT SKRSPACE010E2
FRONT-P.W.Board			SW4008	40T35558Y09	SW,TACT SKPMAQE010E2
FRONT-P.W.Board			SW4009	40T65353Y01	SW,TACT SKRSPACE010E2
FRONT-P.W.Board			SW4010	40T65353Y01	SW,TACT SKRSPACE010E2
FRONT-P.W.Board			SW4011	40T65353Y01	SW,TACT SKRSPACE010E2
FRONT-P.W.Board			SW4012	40T65353Y01	SW,TACT SKRSPACE010E2
FRONT-P.W.Board			SW4201	40-10796Z01	ENC,EC35B154H401 -DB
Miscellaneous			ET6201	09-09397Z02	ASSY,ANID-0057-02A
Miscellaneous			TFT7900	65-09173Z01	ASSY,T-55150GD022JU

Exploded View (Cabinet)



MODEL	Symbol No.	Parts No.	Description
	1	13-11029Z04	NOSE,PIECE ASSY
	2	-----	COVER, TOP
	3	-----	CHAS, BASE
	5	-----	BKT, REAR
	6	-----	BKT, IC
	7	03S60825Y09	SCR, B-T 3X6 ZN A
	8	36A70327W01	KNOB, SLIDE
	11	03S60822Y33	SCR, S-T 2.6X4.5 ZN A
	12	03S60822Y12	SCR, S-T 2.6X6 ZN A
	13	30-09543Z01	SML2CD-40X45.0-BD
	14	SU-13561Z01	SERVICE_NOSE_X100M
	15	-----	HEAT, SINK PWR
	16	-----	HEAT, SINK SYS
	17	03S60822Y19	SCR, S-T 2.6X10 ZN A
	18	03S60822Y23	SCR, S-T 2.6X16 ZN A
	20	03S60822Y07	SCR, S-T 2.6X4 ZN A
	23	13-11282Z02	NOSE, ESC ASSY
	24	13-11043Z02	NOSE, BOTTOM
	25	03S70693Y07	SCR, P-T 1.7X5 ZB A
	26	36-11578Z02	KNOB, ROTARY ASSY
	27	15-11045Z02	PLATE, ROTARY ASSY
	28	14-12148Z01	INS, LCD
	29	07-11503Z01	BKT, LCD
	30	15-09061Z01	CASE, SHIELD L
	31	15-09062Z02	CASE, SHIELD R
	32	03S60824Y12	SCR, WEV 1.7X7 ZN A
	ANTI001	09-06103Z02	ASSY, ANID-0035-02A
	CB3001	09T35473Y16	WTB, F169B001-16 -DB
	CB5401	09-05560Z01	BTB, DF15-S -DB
	CB7600	09-11455Z01	SKT, YKF45-0039N -DB
	CH4401	09-05559Z01	BTB, DF15-P -B
	DIN6001	09-05377Z01	DIN, TC7753-019117-DB
	DIN6401	09T55071W11	CON, TCP9389-11 -DT
	ET6201	09-09397Z02	ASSY, ANID-0057-02A
	JK2501	09-11352Z01	RCA, YKC21-4816N -DB
	JK6301	09T95460W01	JAC, HSJ0857-01-1010+
	SW4201	40-10796Z01	ENC, EC35B154H401 -DB
	SW5201	40T16096W03	SW , TACT SKHHLW
	TFT7900	65-09173Z01	ASSY, T-55150GD022JU
	TU1001	TU-04070Z04	TUNER, TFTE1U113C