

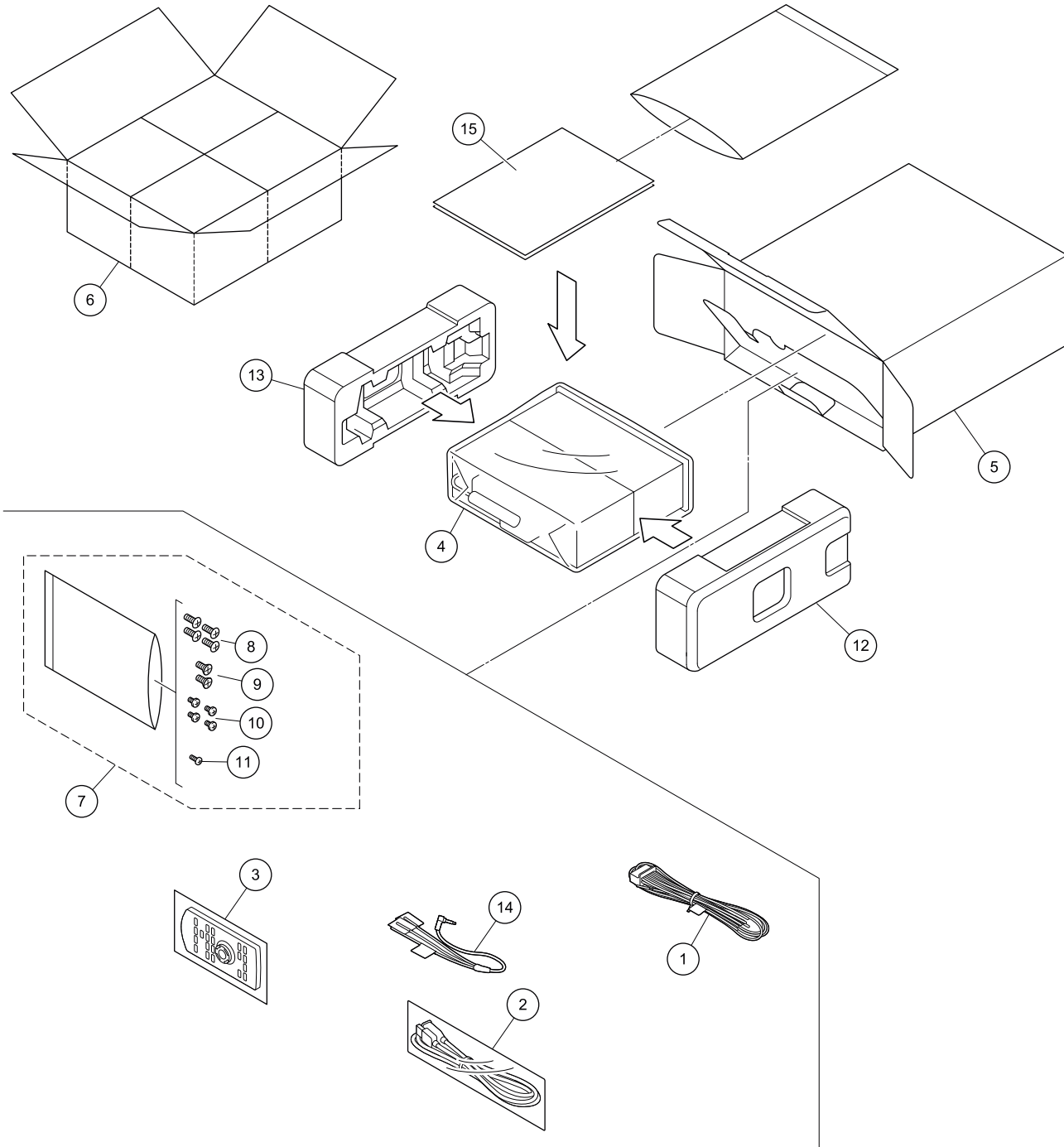


9. EXPLODED VIEWS AND PARTS LIST

- NOTES :
- Parts marked by " * " are generally unavailable because they are not in our Master Spare Parts List.
 - The  mark found on some component parts indicates the importance of the safety factor of the part. Therefore, when replacing, be sure to use parts of identical designation.
 - Screw adjacent to  mark on the product are used for disassembly.
 - For the applying amount of lubricants or glue, follow the instructions in this manual.
(In the case of no amount instructions, apply as you think it appropriate.)

9.1 PACKING



(1) PACKING SECTION PARTS LIST

<u>Mark No.</u>	<u>Description</u>	<u>Part No.</u>	<u>Mark No.</u>	<u>Description</u>	<u>Part No.</u>
1	Cord Assy	CDP1665	10	Screw (M4 x 3)	CBA1870
2	USB Extended Cable	CDP1587			
3	Card Remote Control Unit	CXE5116	11	Screw	See Contrast table (2)
4	Cover	See Contrast table (2)	12	Protector	CHP4684
5	Unit Box	See Contrast table (2)	13	Protector	CHP4685
			14	Cord Assy	See Contrast table (2)
6	Contain Box	See Contrast table (2)	* 15-1	Warranty Card	See Contrast table (2)
7	Screw Assy	See Contrast table (2)			
8	Screw	CBA2383	15-2	Owner's Manual	See Contrast table (2)
9	Screw	CBA2384			

(2) CONTRAST TABLE

AVH-X6800DVD/XNUC, AVH-X6850DVD/XNRC, AVH-X6850DVD/XNRD and AVH-X6850DVD/XNRI are constructed the same except for the following:

<u>Mark</u>	<u>No.</u>	<u>Description</u>	<u>AVH-X6800DVD/ XNUC</u>	<u>AVH-X6850DVD/ XNRC</u>	<u>AVH-X6850DVD/ XNRD</u>	<u>AVH-X6850DVD/ XNRI</u>
	4	Cover	CEG1544	CEG1474	CEG1474	CEG1474
	5	Unit Box	CHG9171	CHG9172	CHG9173	CHG9174
	6	Contain Box	CHL9171	CHL9172	CHL9173	CHL9174
*	7	Screw Assy	CEV5886	CEV5887	CEV5887	CEV5887
	11	Screw	BPZ20P060FTC	Not used	Not used	Not used
	14	Cord Assy	Not used	CDP1655	Not used	CDP1655
*	15-1	Warranty Card	QRY3001	Not used	Not used	Not used
	15-2	Owner's Manual	CRD4918	CRD4919	CRD4920	CRD4921

Owner's Manual, Installation Manual

<u>Part No.</u>	<u>Language</u>
CRD4918	English, French, Spanish(Espanol)
CRD4919	English, Traditional Chinese
CRD4920	English, Spanish(Espanol), Portuguese(B)
CRD4921	English, Arabic, Persian

9.2 EXTERIOR (1)

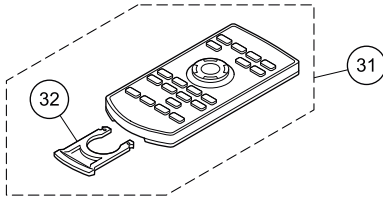
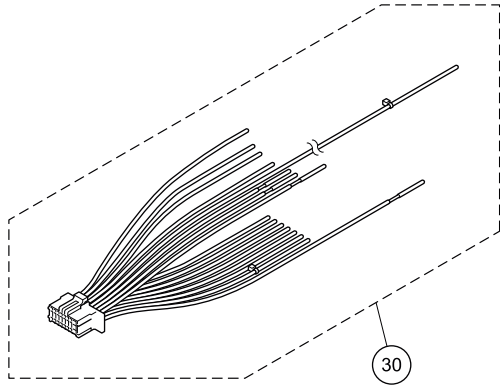
1

2

3

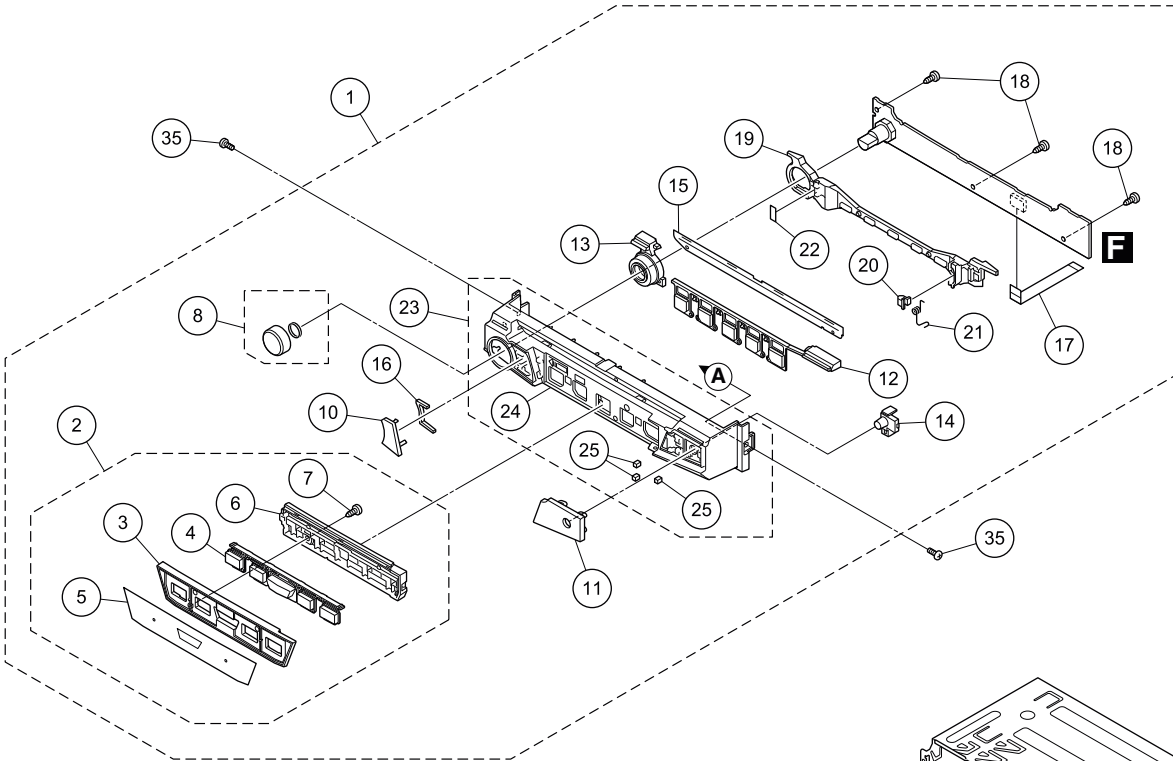
4

A



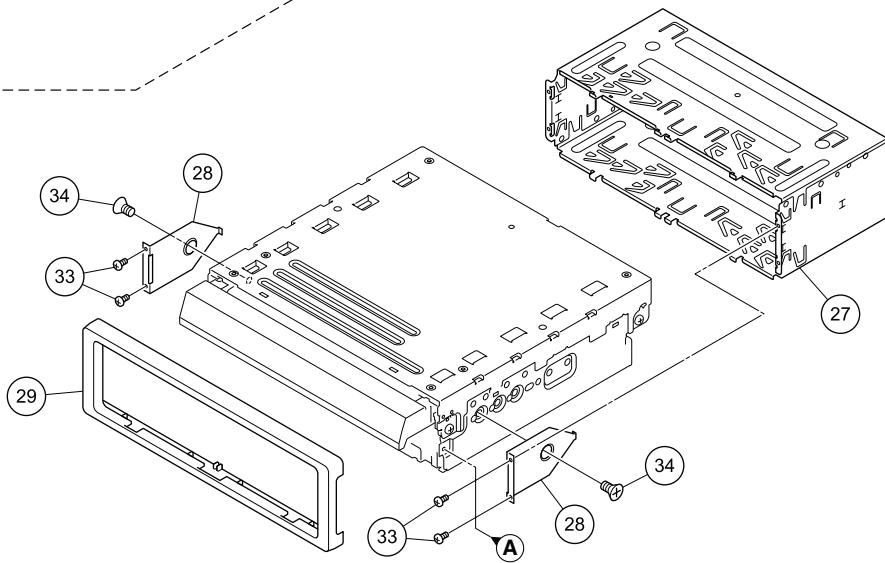
B

C



D

E



F

1

2

3

4

(1) EXTERIOR (1) SECTION PARTS LIST

<u>Mark No.</u>	<u>Description</u>	<u>Part No.</u>	<u>Mark No.</u>	<u>Description</u>	<u>Part No.</u>
1	Grille Assy	See Contrast table (2)	19	Lighting Conductor	CNW3300
2	Detach Grille Assy	See Contrast table (2)	20	Arm	CNV9891
3	Grille	CNU2892			
4	Button	CAI4446	21	Spring	CBH2997
5	Plate	See Contrast table (2)	22	Sheet	CNN4939
			23	Service Grille Unit	CXX7710
6	Cover	CNU2893	24	Grille Unit	CXE7594
7	Screw	BPZ20P060FTC	25	Cushion	QNM3094
8	Knob Unit	CXE5949			
9	•••••		26	•••••	
10	Button (DISP)	CAI4443	27	Holder	CND3854
			28	Bracket	CND3855
11	Button (EJECT)	CAI4444	29	Panel	CNU2269
12	Button	CAI4445	30	Cord Assy	CDP1665
13	Lighting Conductor	CNW3299			
14	Lighting Conductor	CNW3301	31	Card Remote Control Unit	CXE5116
15	Cover	CNN4266	32	Battery Cover	CNU1624
			33	Screw	BMZ20P025FTC
16	Cushion	CNN4832	34	Screw	CMZ50P060FTC
17	FFC	CDD1065	35	Screw	ISS26P055FTC
18	Screw	BPZ20P060FTC			

(2) CONTRAST TABLE

AVH-X6800DVD/XNUC, AVH-X6850DVD/XNRC, AVH-X6850DVD/XNRD and AVH-X6850DVD/XNRI are constructed the same except for the following:

Mark	No.	Description	AVH-X6800DVD/ XNUC	AVH-X6850DVD/ XNRC	AVH-X6850DVD/ XNRD	AVH-X6850DVD/ XNRI
	1	Grille Assy	CXE8944	CXE8945	CXE8945	CXE8945
	2	Detach Grille Assy	CXE8950	CXE8951	CXE8951	CXE8951
	5	Plate	CNN5179	CNN5180	CNN5180	CNN5180

9.3 EXTERIOR (2)

1

2

3

4

A

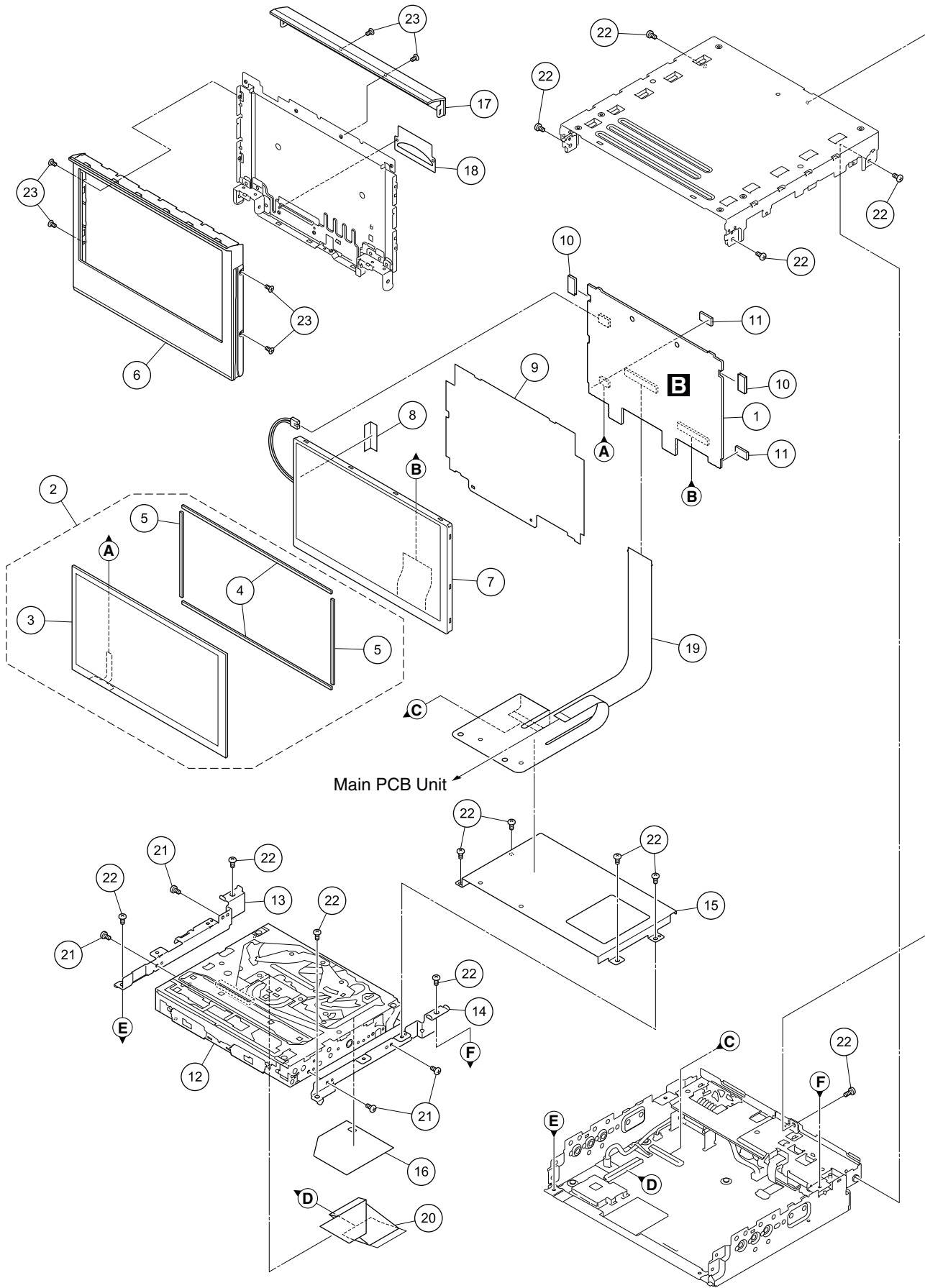
B

C

D

E

F



1

2

3

4

5 6 7 8

EXTERIOR (2) SECTION PARTS LIST

<u>Mark No.</u>	<u>Description</u>	<u>Part No.</u>	
1	Monitor Unit	CWN9688	
2	Touch Panel Assy	CXE8979	A
3	Touch Panel	CSX1326	
4	Cushion	CNN4271	
5	Cushion	CNN4272	
6	Grille	CNU2179	
7	TFT LCD	CWX4352	
8	Sheet	CNN1694	
9	Insulator	CNN4259	
10	Sheet	CNN1750	
11	Gasket	CNN5244	B
12	DVD Mechanism Module (MS7.3)	CXK6920	
13	Bracket	CND6668	
14	Bracket	CND6669	
15	Bracket	CND6667	
16	Insulator	CNN2764	
17	Cover	CNU3032	
18	Sheet	CNN4437	
19	FPC	CNQ7214	
20	FFC	CDD1066	C
21	Screw	BMZ20P025FTC	
22	Screw	BSZ26P060FTC	
23	Screw (M2 x 2)	CBA1872	

9.4 EXTERIOR (3)

A

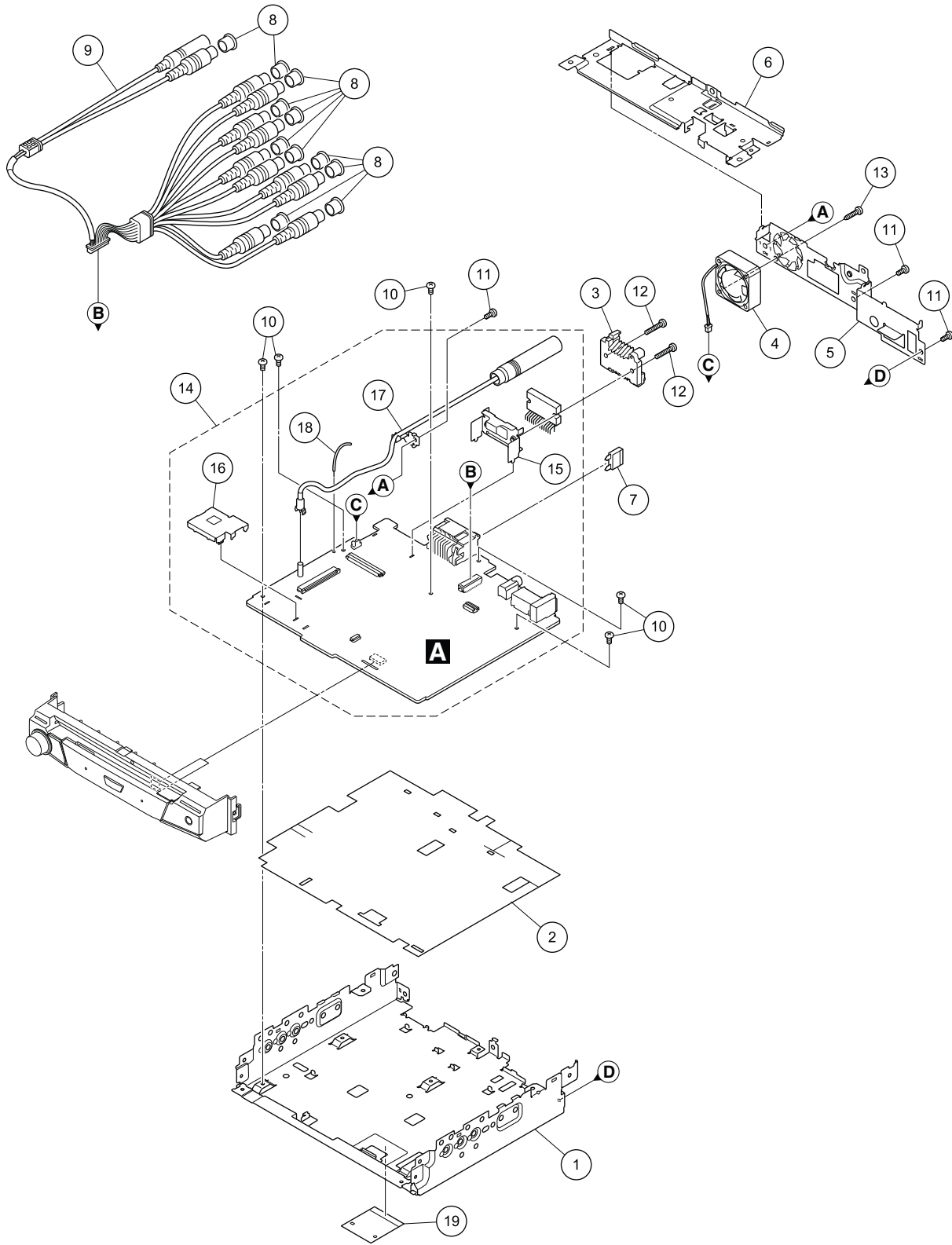
B

C

D

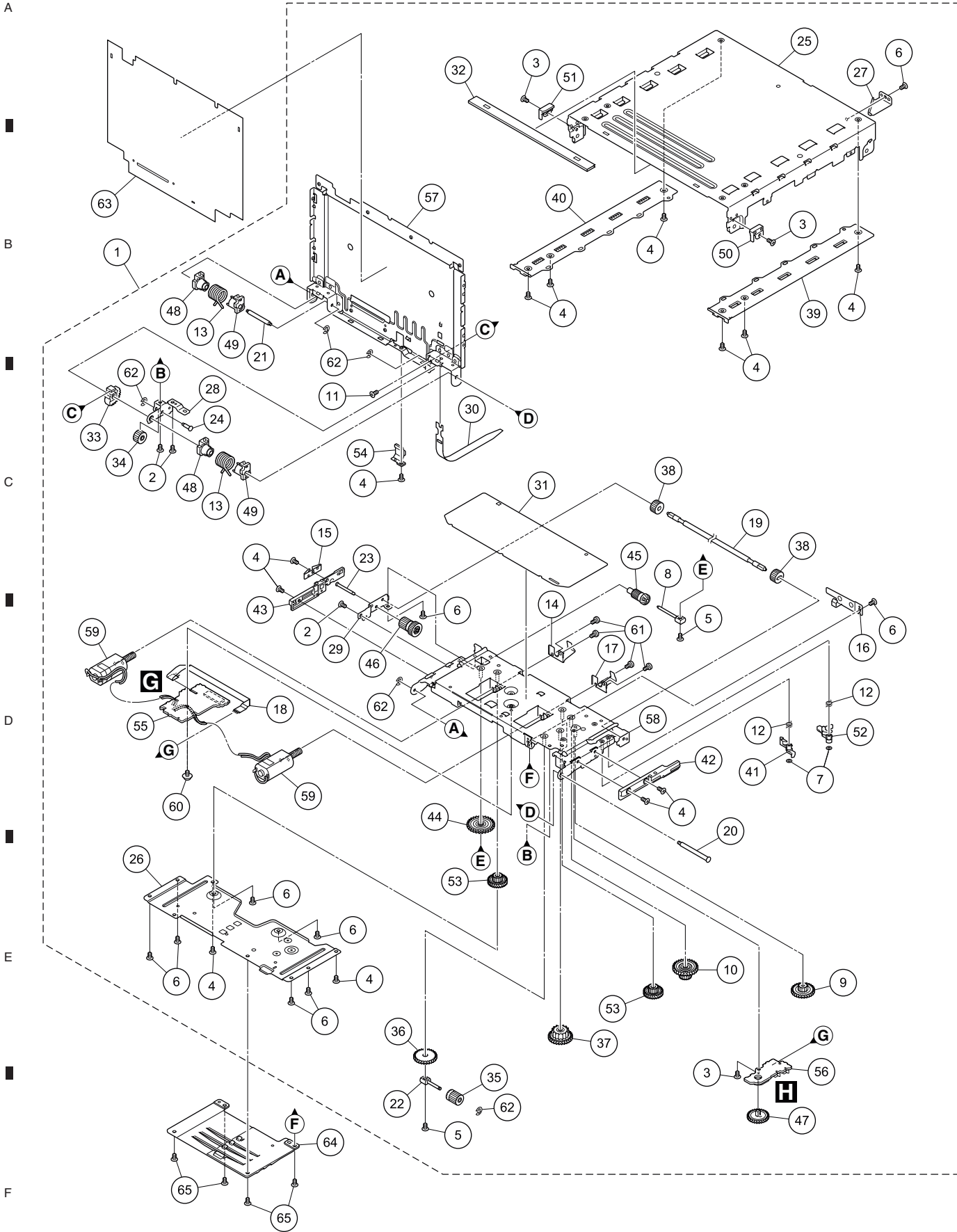
E

F



9.5 EXTERIOR (4)

The application position of grease is referred to page 68 and page 69.



EXTERIOR (4) SECTION PARTS LIST

<u>Mark No.</u>	<u>Description</u>	<u>Part No.</u>	<u>Mark No.</u>	<u>Description</u>	<u>Part No.</u>
1	Display Module Unit	CXE5803	50	Guide	ENV3035
2	Screw	CBA1608			
3	Screw (M2 x 1.5)	CBA1615	51	Guide	ENV3036
4	Screw (M2 x 3)	CBA1877	52	Arm	ENV3037
5	Screw (M2.3 x 6)	CBA2027	53	Gear	ENV3038
			54	Lever	ENV3039
6	Screw (M2 x 2)	CBA2129	55	Main PCB Unit	EWX2008
7	Washer	CBF1038			
8	Shaft	CLA4821	56	SW PCB Unit	EWX2009
9	Gear	CNR1862	57	Case Unit	EXA4010
10	Gear	CNV8980	58	Frame Unit	EXA4011
			59	Motor Unit	EXA4013
11	Screw	EBA2003	60	Screw	IMS20P030FTC
12	Torsion Spring	EBH3010			
13	Torsion Spring	EBH3011	61	Screw	JGZ20P025FTC
14	Plate Spring	EBL2005	62	Washer	YE15FTC
15	Plate Spring	EBL2006	63	Insulator	CNN4260
			64	Cover	CNW2687
16	Plate Spring	EBL2007	65	Screw (M2 x 3)	CBA1877
17	Plate Spring	EBL2008			
18	FFC	EDD2002			
19	Shaft	ELA3022			
20	Shaft	ELA3023			
21	Shaft	ELA3024			
22	Shaft	ELA3026			
23	Shaft	ELA3027			
24	Shaft	ELA3028			
25	Chassis	ENA3007			
26	Cover	ENC2025			
27	Lever	ENC2026			
28	Holder	ENC2027			
29	Holder	ENC2032			
30	Sheet	ENM3002			
31	Sheet	ENM3003			
32	Sheet	ENM3004			
33	Gear	ENR2001			
34	Gear	ENR2002			
35	Gear	ENR2003			
36	Gear	ENR2004			
37	Gear	ENR2005			
38	Gear	ENV3023			
39	Rack	ENV3024			
40	Rack	ENV3025			
41	Arm	ENV3026			
42	Guide	ENV3027			
43	Guide	ENV3028			
44	Gear	ENV3029			
45	Gear	ENV3030			
46	Gear	ENV3031			
47	Gear	ENV3032			
48	Holder	ENV3033			
49	Holder	ENV3034			

9.6 DVD MECHANISM MODULE

1

2

3

4

A

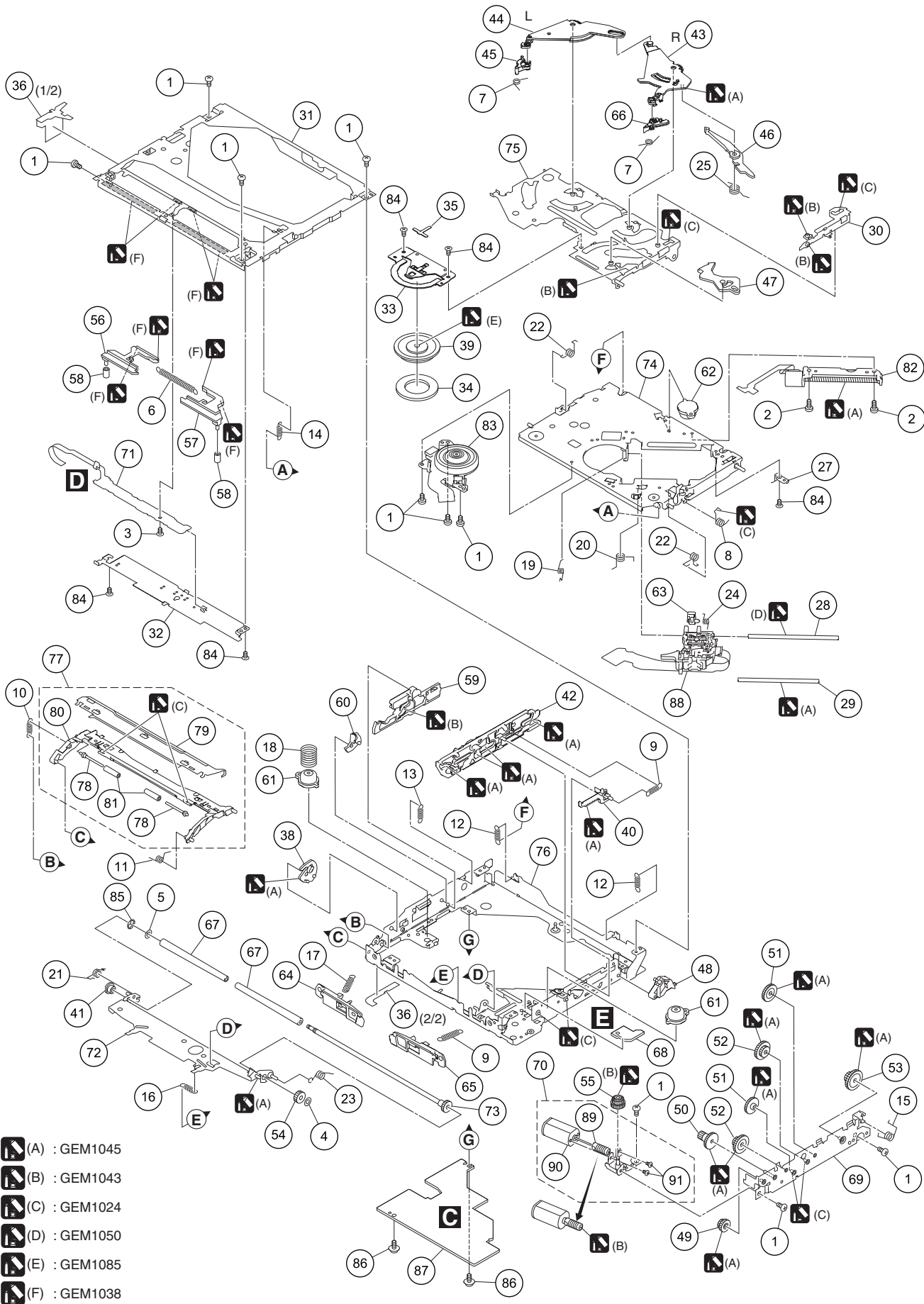
B

C

D

E

F



1

2

3

4

DVD MECHANISM MODULE SECTION PARTS LIST

<u>Mark No.</u>	<u>Description</u>	<u>Part No.</u>	<u>Mark No.</u>	<u>Description</u>	<u>Part No.</u>
1	Screw	BMZ20P020FTC	50	Gear	CNV8875
2	Screw	BMZ20P025FNI			
3	Screw	CBA1787	51	Gear	CNV8876
4	Washer	CBF1038	52	Gear	CNV8877
5	Washer	CBF1064	53	Gear	CNV8878
			54	Gear	CNV8879
6	Spring	CBH2589	55	Gear	CNV8880
7	Spring	CBH2590			
8	Spring	CBH2592	56	Lever	CNV8903
9	Spring	CBH2593	57	Lever	CNV8904
10	Spring	CBH2596	58	Roller	CNV8905
			59	Lever	CNV8908
11	Spring	CBH2597	60	Arm	CNV8909
12	Spring	CBH2599			
13	Spring	CBH2600	61	Damper	CNV9061
14	Spring	CBH2601	62	Damper	CNV9062
15	Spring	CBH2604	63	Rack	CNV9063
			64	Arm	CNV9116
16	Spring	CBH2605	65	Arm	CNV9117
17	Spring	CBH2710			
18	Spring	CBH2711	66	Arm	CNW2082
19	Spring	CBH2890	67	Roller	CNV7165
20	Spring	CBH2935	68	Compound Unit(B)	CWX3394
			69	Bracket Unit	CXB8685
21	Spring	CBH2586	70	Brush Motor Unit(LOAD)(M1)	CXE4539
22	Spring	CBH2588			
23	Spring	CBH2898	71	Compound Unit(A)	CWX4034
24	Spring	CBH2926	72	Arm Unit	CXC5486
25	Spring	CBH2591	73	Roller Unit	CXC5708
			74	Chassis Unit	CXC6443
26	*****		75	Arm Unit	CXC7872
27	Spring	CBL1726			
28	Shaft	CLA4918	*	76	Frame Unit
29	Shaft	CLA4919		77	Guide Unit
30	Lever	CND5494		78	Shaft
				79	Holder
31	Frame	CND2250		80	Guide
32	Holder	CND2251			
33	Holder	CNC9939	81	Collar	CNV9570
34	Sheet	CNN4503	82	Motor(STEPPING)(M2)	CXM1364
35	Sheet	CNM8283	83	Motor(SPDL)(M3)	CXM1435
			84	Screw	JFZ20P018FTC
36	Sheet	CNM9658	85	Washer	YE20FTC
37	*****				
38	Cam	CNV7156	86	Screw	IMS20P030FTC
39	Clamper	CNV7158	87	DVD Core Unit(MS7.3)	CWX4733
40	Rack	CNV7175	88	Pickup Unit(Service)	CXX2558
			89	Gear	CNW2264
41	Collar	CNV8845	90	Motor	CXM1321
42	Lever	CNW1926			
43	Arm	CNV8867	91	Screw	JFZ14P020FTC
44	Arm	CNV8868			
45	Arm	CNW2081			
46	Arm	CNV8871			
47	Arm	CNV8872			
48	Arm	CNV8873			
49	Gear	CNV8874			

12. ELECTRICAL PARTS LIST

NOTE:

- Parts whose parts numbers are omitted are subject to being not supplied.
- The part numbers shown below indicate chip components.

Chip Resistor

RS1/○S○○○○J,RS1/○○S○○○○J

Chip Capacitor (except for CQS.....)

CKS....., CCS....., CSZS.....

- The \triangle mark found on some component parts indicates the importance of the safety factor of the part. Therefore, when replacing, be sure to use parts of identical designation.
- Meaning of the figures and others in the parentheses in the parts list.

Example) IC 301 is on the point (face A, 91 of x-axis, and 111 of y-axis) of the corresponding PC board.

IC 301 (A, 91, 111) IC NJM2068V

- The expression of the unit in this manual is shown by u instead of μ . Please do not make a mistake.

Circuit Symbol and No.

Part No.

A:AVH-X6800DVD/XNUC

B:AVH-X6850DVD/XNRC

C:AVH-X6850DVD/XNRD

D:AVH-X6850DVD/XNRI

Unit Number : CWN9673(A)

Unit Number : CWN9674(B)

Unit Number : CWN9675(C)

Unit Number : CWN9676(D)

Unit Name : Mother Unit

Unit Number : CWN9688

Unit Name : Monitor Unit

Unit Number : CWX4733

Unit Name : DVD Core Unit

Unit Number : CWX4034

Unit Name : Compound Unit(A)

Unit Number : CWX3394

Unit Name : Composite Unit(B)

Unit Number : CWN9691

Unit Name : Keyboard Unit

Unit Number : EWX2008

Unit Name : Main PCB Unit

Unit Number : EWX2009

Unit Name : SW PCB Unit

Circuit Symbol and No.

Part No.

A

Unit Number : CWN9673(A)

Unit Number : CWN9674(B)

Unit Number : CWN9675(C)

Unit Number : CWN9676(D)

Unit Name : Mother Unit

MISCELLANEOUS

IC 101	(B,163,20)	Regulator IC	NJW4181U3-33B
IC 111	(A,79,107)	Regulator IC	NJW4184DL3-08A
IC 141	(B,160,28)	Regulator IC	MM3479A33P
IC 160	(A,154,24)	Regulator IC	RP132J001B-AE
IC 211	(B,38,107)	IC	BA00DD0WHFP
IC 231	(B,156,35)	Regulator IC	MM1856A50N
IC 271	(A,74,88)	Regulator IC	MM1856A58N
IC 301	(B,146,74)	IC	AN33012UA
IC 351	(B,126,49)	Regulator IC	KBD9876EFJ
* IC401	(A,132,26)	Regulator IC	MN103LF15RXW
IC 601	(A,89,62)	Regulator IC	MN1AA9010Z
IC 603	(B,158,97)	And Logic IC	MC74VHC1GT08DFG
IC 851	(B,79,48)	RAM IC	M12L2561616A-5TG2S
IC 871	(B,107,53)	Flash Memory IC	W25Q16DVSSIG
IC 881	(B,109,62)	Flash ROM Unit	CWJ2457
IC 891	(B,111,42)	IC	337S3959
IC 901	(A,105,33)	IC	AK8814VQ
IC 931	(B,129,76)	IC	NJM2283V
IC 1101	(B,114,102)	IC	AK4223VQ
IC 1201	(B,49,84)	AUD DSP SYS LSI	PM9015A
IC 1271	(B,72,105)	OP AMP IC	NJW1240V
IC 1301	(A,28,132)	Power AMP IC	PA2032A
IC 2004	(B,57,31)	Regulator IC	MM3479A33P
IC 2201	(A,37,22)	Tuner IC	TEF6686HN
IC 2401	(B,144,100)	DC/DC CONV IC	AN33014UA
IC 2551	(B,32,41)	Logic IC	TC7SZ32FUS1
IC 2601	(A,55,75)	Interface IC	BU8254KVT
IC 3001	(A,16,76)	Logic IC	74VHCT08AFT
IC 3101	(B,153,116)	Interface IC	STCC2540IQ
IC 3221	(A,138,116)	Comparator IC	TC75S57FU

5		6		7		8	
<u>Circuit Symbol and No.</u>		<u>Part No.</u>		<u>Circuit Symbol and No.</u>		<u>Part No.</u>	
IC 3231	(A,143,121) V AMP IC	BH7673G		D 3057	(B,97,125) Diode	DZ2S180C	
IC 3232	(A,146,121) V AMP IC	BH7673G		D 3058	(B,97,123) Diode	DZ2S180C	
IC 3233	(A,149,121) V AMP IC	BH7673G		D 3091	(A,88,111) Diode	DZ2J039M0	
IC 3234	(A,153,121) V AMP IC	BH7673G					
Q 11	(A,105,139) Chip Transistor	HN1C01FU		D 3101	(A,162,121) Diode	EZAEG2A50AX	A
				D 3102	(A,163,121) Diode	EZAEG2A50AX	
Q 21	(B,91,121) Resistor Built-IN TR	LTC014EEB		L 1	(A,87,131) Choke Coil	CTH1636	
Q 31	(B,70,151) Resistor Built-IN TR	LTC014EEB		L 2	(A,142,87) Choke Coil 10 uH	CTH1486	
Q 51	(B,90,139) Bipolar TR	LSAR523UB		L 301	(A,153,59) Choke Coil	CTH1381	
Q 61	(B,90,143) Bipolar TR	LSAR523UB					
Q 131	(B,28,109) Transistor	2SAR293PGZE		L 302	(A,139,58) SMD SPL Inductor	CTH1519	
				L 351	(A,132,54) SMD SPL Inductor	CTH1524	
Q 136	(B,23,108) Bipolar TR	LSCR523UB		L 700	(A,74,78) Chip Beads	VTL1127	
Q 221	(B,23,82) Transistor	UMF5N		L 701	(A,71,75) Chip Beads	VTL1126	
Q 301	(A,152,76) Power MOS FET	ATP112-H		L 702	(A,69,74) Chip Beads	VTL1126	
Q 302	(A,140,72) Power MOS FET	ATP112-H					
Q 401	(B,130,21) Bipolar TR	LSCR523UB		L 703	(A,71,74) Chip Beads	VTL1126	B
Q 402	(B,126,26) Chip Transistor(B,C,D)	RN4982		L 704	(A,69,73) Chip Beads	VTL1126	
Q 403	(B,130,26) Chip Transistor(B,C,D)	RN4982		L 705	(A,71,73) Chip Beads	VTL1126	
Q 404	(B,131,30) Chip Transistor(B,C,D)	RN4982		L 706	(A,69,72) Chip Beads	VTL1126	
Q 405	(B,129,30) Chip Transistor(B,C,D)	RN4982		L 707	(A,71,71) Chip Beads	VTL1126	
Q 821	(A,115,70) Bipolar TR	LSCR523UB		L 708	(A,69,71) Chip Beads	VTL1126	
Q 892	(B,103,43) Bipolar TR	LSAR523UB		L 709	(A,71,70) Chip Beads	VTL1126	
Q 931	(A,119,62) Bipolar TR	LSCR523UB		L 710	(A,69,70) Chip Beads	VTL1126	
Q 932	(A,117,64) Bipolar TR	LSCR523UB		L 711	(A,71,69) Chip Beads	VTL1126	
Q 933	(A,116,67) Bipolar TR	LSCR523UB		L 712	(A,69,68) Chip Beads	VTL1126	
Q 1271	(A,73,100) Resistor Built-IN TO	LTC044EEB		L 713	(A,71,68) Chip Beads	VTL1126	
Q 1301	(B,24,118) Chip Transistor	RN1903		L 714	(A,69,67) Chip Beads	VTL1126	C
Q 1303	(B,28,114) Bipolar TR	LSCR523UB		L 715	(A,71,67) Chip Beads	VTL1126	
Q 3091	(A,96,109) Chip Transistor	2SD2114K		L 716	(A,69,66) Chip Beads	VTL1126	
Q 3092	(A,89,108) Transistor	RN4984		L 717	(A,71,65) Chip Beads	VTL1126	
Q 3093	(A,92,108) Transistor	RN4984		L 718	(A,69,65) Chip Beads	VTL1126	
Q 3141	(A,133,120) Chip Transistor	HN1B04FU		L 719	(A,71,64) Chip Beads	VTL1126	
D 1	(B,75,148) Diode	D1F60-5053		L 750	(A,77,43) Chip Beads	VTL1128	
D 2	(B,75,151) Diode	D1F60-5053		L 851	(B,67,57) Inductor	CTF1786	
D 3	(A,134,90) Diode	RB080L-30		L 852	(A,79,41) Chip Beads	VTL1128	
D 11	(A,99,140) Diode	DZ2J062M0		L 871	(B,100,56) Inductor	CTF1786	
D 12	(A,96,136) Diode	DZ2J068M0		L 881	(B,102,57) Inductor	CTF1786	
D 21	(B,87,121) Diode	DA2J101		L 882	(A,107,59) Inductor	CTF1740	D
D 32	(B,68,150) Diode	DZ2J056M0		L 901	(A,112,35) Inductor	LCYA2R7J2016	
D 41	(B,47,115) Diode	CRG03		L 902	(B,112,34) Inductor	LCYA2R7J2016	
D 51	(B,87,138) Diode	DA2J101		L 903	(A,106,55) Chip Beads	VTL1126	
D 61	(B,87,144) Diode	DA2J101		L 904	(A,97,42) Chip Beads	VTL1126	
D 101	(A,157,39) Diode	D1F60-5053		L 905	(A,96,43) Chip Beads	VTL1126	
D 211	(B,51,110) Diode	D1F60-5053		L 906	(A,96,42) Chip Beads	VTL1126	
D 301	(A,150,68) Diode	RB056L-40		L 907	(A,95,43) Chip Beads	VTL1126	
D 302	(A,141,65) Diode	RB056L-40		L 908	(A,94,42) Chip Beads	VTL1126	
D 351	(A,131,48) Diode	RB056L-40		L 909	(A,94,43) Chip Beads	VTL1126	
D 401	(A,118,13) Diode	DB2J31400		L 910	(A,93,42) Chip Beads	VTL1126	
D 403	(B,122,24) Diode	DB2J31400		L 911	(A,92,40) Chip Beads	VTL1126	E
D 1301	(B,21,114) Diode	DA2J101		L 2201	(A,42,30) Inductor	CTF1749	
D 1302	(B,32,117) Diode	DZ2J082M0		L 2202	(A,47,25) Inductor	CTF1786	
D 2201	(A,8,32) Diode	EZAEG2A50AX		L 2203	(A,27,14) Inductor	LCYC150K1608	
D 2202	(A,16,23) Diode	EZAEG2A50AX		L 2204	(A,23,14) Inductor	CTF1389	
D 2203	(A,25,15) Diode	EZAEG2A50AX		L 2205	(A,18,23) Inductor	LCMAR27J1608	
D 2204	(A,42,22) Diode	DZ2S068C		L 2207	(A,21,21) Chip Coil	LCTAWR22J2520	
D 2401	(B,139,102) Diode	RB060M-30		L 2401	(A,138,100)	CTH1524	
D 2402	(B,142,111) Diode	D1F60-5053		L 2402	(B,139,98) Inductor	CTF1793	
D 3052	(B,98,117) Diode	DZ2S180C		L 2601	(B,49,58) Chip Ferrite Bead	CTF1869	
D 3053	(B,103,118) Diode	DZ2S180C		L 2602	(A,52,85) Chip Solid Inductor	XTL3010	F
D 3054	(B,103,121) Diode	DZ2S180C		L 2603	(B,52,66) Chip Solid Inductor	XTL3010	
D 3055	(B,103,123) Diode	DZ2S180C		L 3101	(B,160,119) Coil	ATH7015	
D 3056	(B,104,125) Diode	DZ2S180C		L 3231	(A,153,115) Inductor	LCYA100J2016	

	1	2	3	4
	<u>Circuit Symbol and No.</u>	<u>Part No.</u>	<u>Circuit Symbol and No.</u>	<u>Part No.</u>
	L 3236 (A,104,133) Ferrite Bead	CTF1528	R 61 (B,90,145)	RS1/16SS223J
	L 3237 (A,97,133) Ferrite Bead	CTF1528	R 62 (B,93,140)	RS1/16SS102J
	L 3238 (A,105,130) Ferrite Bead	CTF1528	R 63 (B,92,140)	RS1/16SS473J
A	L 3239 (A,95,130) Ferrite Bead	CTF1528	R 64 (B,86,142)	RS1/16SS103J
	L 3240 (A,105,128) Ferrite Bead	CTF1528	R 131 (B,21,109)	RS1/16SS273J
	L 3241 (A,95,127) Ferrite Bead	CTF1528	R 132 (B,23,106)	RS1/8SQ1201D
	L 3242 (A,105,125) Ferrite Bead	CTF1528	R 133 (B,20,109)	RS1/16SS272J
	L 3243 (A,95,125) Ferrite Bead	CTF1528	R 139 (B,31,109)	RS1/16SS102J
			R 160 (A,151,32)	RS1/16SS5601D
	L 3244 (A,105,124) Ferrite Bead	CTF1528	R 161 (A,151,31)	RS1/16SS1202D
	L 3245 (A,95,123) Ferrite Bead	CTF1528		
	L 3246 (A,104,123) Ferrite Bead	CTF1528	R 211 (B,45,105)	RS1/16SS2201D
	L 3247 (A,95,122) Ferrite Bead	CTF1528	R 212 (B,46,104)	RS1/16SS2702D
	L 3248 (A,95,121) Ferrite Bead	CTF1528	R 213 (B,48,103)	RS1/16SS4701D
			R 221 (B,24,79)	RS1/16SS473J
B	L 3249 (A,105,121) Ferrite Bead	CTF1528	R 222 (B,23,80)	RS1/16SS102J
	L 3250 (A,95,120) Ferrite Bead	CTF1528		
	L 3251 (A,105,120) Ferrite Bead	CTF1528	R 301 (B,138,72)	RS1/16SS561J
	L 3252 (A,105,119) Ferrite Bead	CTF1528	R 302 (B,139,72)	RS1/16SS3302D
	L 3253 (A,96,117) Ferrite Bead	CTF1528	R 303 (B,139,70)	RS1/16SS4301D
			R 304 (B,139,69)	RS1/16SS3601D
	L 3254 (A,95,119) Ferrite Bead	CTF1869	R 305 (B,139,73)	RS1/16SS273J
	L 3281 (A,127,124) Chip Beads	VTL1126		
	L 3282 (A,125,126) Chip Beads	VTL1126	R 306 (B,151,68)	RS1/16SS103J
	X 401 (A,132,11) Crystal Resonator 12.500 MHz	CSS1839	R 308 (B,149,80)	CCN1341
	X 601 (A,108,77) Resonator 24 MHz	CSS1773	R 309 (B,149,68)	RS1/16SS204J
			R 310 (B,150,68)	RS1/16SS394J
	X 2201 (A,36,31) Crystal Resonator 9.216 MHz	CSS1867	R 311 (B,139,78) 12 mohm	CCN1321
C	△P131 (A,10,108) Fuse 0.75 A	CEK1398		
	P 2201 (A,8,34) Surge Absorber	IMSA-6803-01Y900	R 312 (B,145,68)	RS1/16SS224J
	△P3001 (A,35,85) Fuse 0.75 A	CEK1398	R 313 (B,154,73)	RS1/16SS472J
	P 3052 (A,94,115) Poly Switch	FSMD075-24R	R 314 (B,154,70)	RS1/16SS1101D
			R 315 (B,155,70)	RS1/16SS3000D
	P 3054 (A,108,125) Poly Switch	FSMD075-24R	R 316 (B,154,72)	RS1/16SS1002D
	P 3055 (B,134,125) Poly Switch	FSMD075-24R		
	P 3281 (A,130,125) Poly Switch	FSMD075-24R	R 317 (B,155,71)	RS1/16SS511J
	CN131 (A,11,103) Connector	CKS4822	R 322 (B,147,68)	RS1/16SS473J
	CN2201 (A,5,83) Clamper	CEF1046	R 323 (B,153,68)	RS1/16SS473J
			R 351 (B,120,47)	RS1/16SS4701D
	CN2551 (A,22,55) Connector	CKS6025	R 352 (B,122,47)	RS1/16SS4702D
	CN3001 (A,32,91) FFC/FPC Connector	CKS6672		
D	CN3051 (A,100,125) Plug	CKM1599	R 353 (B,122,46)	RS1/16SS2202D
	CN3121 (B,118,17) FFC/FPC Connector	CKS6638	R 354 (B,120,46)	RS1/16SS332J
	CN3141 (A,145,136) Connector	CKS4497	R 360 (A,117,54)	RS1/8SQ331J
			R 401 (A,120,14)	RS1/16SS472J
	JA1 (A,62,145) Connector	CKM1613	R 402 (A,121,15)	RS1/16SS102J
	JA3101 (A,163,125) USB Jack	CKN1118		
	JA3281 (A,126,136) 3.5 DIA Jack	CKS6437	R 403 (A,120,13)	RS1/16SS103J
	VL2201 (A,27,21) Variable Coil	CTC1216	R 405 (A,124,12)	RS1/16SS471J
			R 406 (A,126,12)	RS1/16SS473J
			R 407 (A,125,12)	RS1/16SS471J
			R 408 (B,128,19)	RS1/16SS473J

RESISTORS

	R 11 (A,102,140)	RS1/16SS103J		
	R 12 (A,102,139)	RS1/16SS473J	R 409 (A,116,22)	RS1/16SS105J
E	R 13 (A,96,139)	RS1/16SS472J	R 410 (A,118,22)	RS1/16SS471J
	R 16 (A,101,135)	RS1/16SS104J	R 411 (A,128,7)	RS1/16SS472J
	R 17 (A,100,136)	RS1/16SS473J	R 412 (A,128,8)	RS1/16SS472J
			R 413 (B,143,31)	RS1/16SS473J
	R 18 (A,81,143)	RS1/4SA102J		
	R 21 (B,89,120)	RS1/16SS103J	R 414 (B,131,23)	RS1/16SS473J
	R 22 (B,86,119)	RS1/16SS472J	R 415 (B,128,12)	RS1/16SS473J
	R 23 (B,83,120)	RS1/4SA102J	R 417 (B,131,15)	RS1/16SS104J
	R 31 (B,67,147)	RS1/4SA102J	R 418 (B,132,16)	RS1/16SS102J
			R 419 (A,132,13)	RS1/16SS0R0J
	R 32 (B,67,152)	RS1/16SS103J		
	R 51 (B,93,138)	RS1/16SS102J	R 420 (B,134,21)	RS1/16SS102J
F	R 52 (B,92,138)	RS1/16SS473J	R 421 (B,135,24)	RS1/16SS104J
	R 53 (B,89,140)	RS1/16SS223J	R 422 (A,139,12)	RS1/16SS473J
	R 54 (B,86,141)	RS1/16SS103J	R 423 (B,137,14)	RS1/16SS473J
			R 424 (A,139,11)	RS1/16SS121J

5		6		7		8	
<u>Circuit Symbol and No.</u>		<u>Part No.</u>		<u>Circuit Symbol and No.</u>		<u>Part No.</u>	
R 425	(A,140,13)	RS1/16SS104J		R 525	(B,127,30) (B,C,D)	RS1/16SS6800D	
R 426	(A,140,11)	RS1/16SS121J		R 526	(B,127,23) (A)	RS1/16SS102J	
R 430	(A,149,17)	RS1/16SS102J		R 526	(B,C,D)	RS1/16SS1001D	
R 431	(A,148,18)	RS1/16SS473J		R 602	(B,115,49)	RS1/10SR0R0J	A
R 435	(B,142,13)	RS1/16SS682J		R 603	(A,105,49)	RS1/16SS473J	
R 436	(A,149,29)	RS1/16SS182J		R 605	(A,105,48)	RS1/16SS473J	
R 437	(A,145,22)	RS1/16SS0R0J		R 616	(B,98,54)	RS1/16SS473J	
R 439	(A,148,27)	RS1/16SS182J		R 619	(B,106,70)	RS1/16SS0R0J	
R 440	(A,145,28)	RS1/16SS104J		R 620	(B,101,66)	RS1/16SS1R0J	
R 441	(A,145,23)	RS1/16SS0R0J		R 621	(B,98,70)	RS1/16SS1R0J	
R 445	(A,145,29)	RS1/16SS104J		R 622	(A,106,71)	RS1/16SS0R0J	
R 447	(B,123,25) (A)	RS1/16SS102J		R 623	(A,107,72)	RS1/16SS0R0J	
R 447	(B,C,D)	RS1/16SS1001D		R 625	(B,102,75)	RS1/16SS473J	
R 448	(B,124,26) (B,C,D)	RS1/16SS6800D		R 627	(B,103,75)	RS1/16SS473J	
R 450	(A,127,12)	RS1/16SS0R0J		R 628	(B,104,73)	RS1/16SS0R0J	B
R 453	(A,145,30)	RS1/16SS101J		R 629	(A,105,76)	RS1/16SS105J	
R 457	(A,142,40)	RS1/16SS822J		R 630	(A,108,74)	RS1/16SS102J	
R 458	(A,140,39)	RS1/16SS471J		R 631	(A,108,83)	RS1/16SS102J	
R 460	(A,136,40)	RS1/16SS473J		R 632	(A,102,82)	RS1/16SS0R0J	
R 463	(B,133,36)	RS1/16SS104J		R 633	(A,100,82)	RS1/16SS0R0J	
R 464	(B,132,36)	RS1/16SS473J		R 636	(A,109,85)	RS1/16SS104J	
R 465	(A,134,39)	RS1/16SS473J		R 637	(A,104,82)	RS1/16SS473J	
R 466	(A,145,24)	RS1/16SS222J		R 639	(A,103,82)	RS1/16SS473J	
R 467	(A,128,41)	RS1/16SS104J		R 641	(B,99,76)	RS1/16SS103J	
R 468	(B,129,37)	RS1/16SS473J		R 642	(B,99,80)	RS1/16SS103J	
R 471	(B,128,34)	RS1/16SS221J		R 643	(A,96,82)	RS1/16SS4701D	C
R 472	(B,127,34)	RS1/16SS221J		R 644	(A,95,83)	RS1/16SS1201D	
R 474	(B,126,34)	RS1/16SS221J		R 645	(A,95,84)	RS1/16SS0R0J	
R 475	(A,124,39)	RS1/16SS221J		R 646	(B,158,92)	RS1/16SS0R0J	
R 476	(A,123,39)	RS1/16SS221J		R 651	(B,90,72)	RS1/16SS0R0J	
R 479	(A,122,38)	RS1/16SS104J		R 653	(B,93,70)	RS1/16SS101J	
R 480	(A,116,38) (D)	RS1/16SS104J		R 654	(B,91,70)	RS1/16SS101J	
R 481	(A,119,38) (B,C)	RS1/16SS104J		R 685	(B,117,54)	RS1/10SR0R0J	
R 482	(A,115,37) (B,C)	RS1/16SS104J		R 686	(B,159,94)	RS1/16SS473J	
R 483	(A,118,37) (D)	RS1/16SS104J		R 687	(B,157,99)	RS1/16SS103J	
R 484	(A,115,36) (C)	RS1/16SS104J		R 688	(B,159,99)	RS1/16SS473J	D
R 485	(A,117,36) (B,D)	RS1/16SS104J		R 701	(A,71,78)	RS1/16SS241J	
R 487	(A,117,35)	RS1/16SS104J		R 703	(A,72,76)	RS1/16SS473J	
R 493	(A,116,31)	RS1/16SS103J		R 704	(A,67,75)	RS1/16SS271J	
R 494	(A,118,31)	RS1/16SS221J		R 705	(A,66,74)	RS1/16SS271J	
R 495	(B,124,28)	RS1/16SS104J		R 706	(A,67,74)	RS1/16SS271J	
R 496	(A,116,30)	RS1/16SS103J		R 707	(A,66,73)	RS1/16SS271J	
R 497	(A,118,29)	RS1/16SS221J		R 708	(A,67,73)	RS1/16SS271J	
R 499	(B,121,28)	RS1/16SS104J		R 709	(A,66,72)	RS1/16SS271J	
R 500	(B,121,27)	RS1/16SS104J		R 710	(A,67,71)	RS1/16SS271J	
R 501	(A,118,27)	RS1/16SS101J		R 711	(A,66,71)	RS1/16SS271J	
R 502	(A,118,26)	RS1/16SS221J		R 712	(A,67,70)	RS1/16SS271J	E
R 503	(A,118,25)	RS1/16SS221J		R 713	(A,66,70)	RS1/16SS271J	
R 504	(A,118,23)	RS1/16SS221J		R 714	(A,67,69)	RS1/16SS271J	
R 506	(A,129,39)	RS1/16SS0R0J		R 715	(A,66,68)	RS1/16SS271J	
R 507	(A,116,28)	RS1/16SS473J		R 716	(A,67,68)	RS1/16SS271J	
R 508	(B,121,25)	RS1/16SS103J		R 717	(A,66,67)	RS1/16SS271J	
R 509	(A,118,24)	RS1/16SS104J		R 718	(A,67,67)	RS1/16SS271J	
R 510	(A,118,35)	RS1/16SS473J		R 719	(A,66,66)	RS1/16SS271J	
R 511	(B,113,25)	RS1/16SS471J		R 720	(A,67,65)	RS1/16SS271J	
R 512	(B,113,24)	RS1/16SS472J		R 721	(A,66,65)	RS1/16SS271J	
R 513	(B,113,22)	RS1/16SS471J		R 726	(A,68,62)	RS1/16SS0R0J	F
R 514	(B,113,23)	RS1/16SS472J		R 727	(A,69,61)	RS1/16SS0R0J	
R 515	(B,125,18)	RS1/16SS221J		R 729	(A,67,64)	RS1/16SS271J	
R 518	(A,145,15)	RS1/16SS0R0J		R 736	(B,79,61)	RS1/16SS472J	
R 519	(B,128,23) (B,C,D)	RS1/16SS6800D					
R 524	(B,127,28) (B,C,D)	RS1/16SS8201D					

	1	2	3	4
	<u>Circuit Symbol and No.</u>	<u>Part No.</u>	<u>Circuit Symbol and No.</u>	<u>Part No.</u>
	R 739 (A,78,43)	RS1/16SS330J	R 918 (A,93,39)	RS1/16SS561J
	R 741 (A,71,62)	RS1/16SS0R0J	R 920 (A,92,39)	RS1/16SS561J
	R 792 (A,79,44)	RS1/16SS47R0D	R 921 (A,101,27)	RS1/16SS103J
A	R 793 (A,77,39)	RS1/16SS472J	R 922 (A,101,26)	RS1/16SS271J
	R 794 (B,80,59)	RS1/16SS472J	R 923 (A,102,25)	RS1/16SS271J
	R 795 (B,81,59)	RS1/16SS472J	R 924 (A,105,25)	RS1/16SS181J
	R 797 (B,82,59)	RS1/16SS472J	R 925 (A,103,25)	RS1/16SS103J
	R 798 (B,83,59)	RS1/16SS472J	R 926 (A,104,27)	RS1/16SS103J
	R 800 (A,90,40)	RS1/16SS0R0J	R 930 (A,111,27)	RS1/10SR0R0J
	R 801 (A,91,41)	RS1/16SS0R0J	R 931 (A,112,33)	RS1/16SS6801D
	R 805 (A,88,43)	RS1/16SS473J	R 932 (B,104,37)	RS1/16SS104J
	R 806 (A,91,44)	RS1/16SS473J	R 933 (B,103,37)	RS1/16SS104J
	R 813 (B,100,43)	RS1/16SS472J	R 934 (A,110,26)	RS1/16SS0R0J
	R 821 (A,115,72)	RS1/16SS103J	R 938 (B,117,59)	RS1/16SS0R0J
B	R 822 (A,117,70)	RS1/16SS0R0J	R 941 (A,114,62)	RS1/16SS471J
	R 823 (A,120,72)	RS1/16SS104J	R 944 (A,114,65)	RS1/16SS471J
	R 824 (A,117,72)	RS1/16SS153J	R 947 (A,113,67)	RS1/16SS471J
	R 825 (A,113,71)	RS1/16SS471J	R 948 (B,122,81)	RS1/16SS104J
	R 827 (B,93,52)	RS1/16SS0R0J	R 949 (B,124,83)	RS1/16SS104J
	R 828 (B,92,53)	RS1/16SS0R0J	R 950 (A,112,62)	RS1/16SS0R0J
	R 829 (A,115,73)	RS1/16SS0R0J	R 951 (A,112,64)	RS1/16SS0R0J
	R 841 (B,134,27)	RAB4CQ103J	R 952 (A,111,67)	RS1/16SS0R0J
	R 851 (B,72,58)	RAB4CQ101J	R 953 (B,125,85)	RS1/16SS104J
	R 852 (B,76,58)	RAB4CQ101J	R 960 (A,115,39)	RS1/16SS0R0J
	R 853 (B,81,56)	RAB4CQ181J	R 970 (A,100,28)	RS1/16SS222J
C	R 854 (B,84,56)	RAB4CQ181J	R 971 (A,100,26)	RS1/16SS222J
	R 855 (B,87,56)	RAB4CQ181J	R 1112 (B,117,91)	RS1/16SS75R0D
	R 856 (B,71,40)	RAB4CQ101J	R 1113 (B,115,91)	RS1/16SS75R0D
	R 857 (B,76,39)	RAB4CQ101J	R 1114 (B,114,93)	RS1/16SS104J
	R 858 (B,78,39)	RS1/16SS121J	R 1115 (B,112,91)	RS1/16SS75R0D
	R 859 (B,82,40)	RS1/16SS181J	R 1116 (B,110,91)	RS1/16SS2200D
	R 860 (B,83,40)	RS1/16SS181J	R 1117 (B,107,98)	RS1/16SS0R0J
	R 861 (B,78,58)	RS1/16SS101J	R 1118 (B,109,97)	RS1/16SS75R0D
	R 862 (B,85,40)	RAB4CQ181J	R 1119 (B,112,93)	RS1/16SS101J
	R 863 (B,87,40)	RAB4CQ181J	R 1120 (B,111,93)	RS1/16SS101J
D	R 872 (A,109,57)	RS1/16SS0R0J	R 1121 (B,114,88)	RS1/16SS0R0J
	R 873 (A,110,55)	RS1/16SS0R0J	R 1122 (B,116,92)	RS1/16SS101J
	R 877 (B,101,52)	RS1/16SS101J	R 1123 (B,115,92)	RS1/16SS101J
	R 878 (B,101,51)	RS1/16SS101J	R 1124 (B,118,92)	RS1/16SS101J
	R 882 (B,102,59)	RS1/16SS101J	R 1125 (B,117,92)	RS1/16SS101J
	R 883 (B,102,60)	RS1/16SS0R0J	R 1131 (B,124,104)	RS1/16SS101J
	R 884 (B,101,62)	RS1/16SS101J	R 1132 (B,124,105)	RS1/16SS101J
	R 885 (B,101,64)	RS1/16SS101J	R 1133 (B,124,107)	RS1/16SS101J
	R 886 (A,109,59)	RS1/16SS271J	R 1134 (B,116,112)	RS1/16SS101J
	R 887 (A,107,60)	RS1/16SS101J	R 1135 (B,114,112)	RS1/16SS101J
	R 888 (B,116,64)	RS1/16SS101J	R 1136 (B,113,112)	RS1/16SS101J
E	R 892 (B,100,44)	RS1/16SS473J	R 1141 (B,120,97) (B,C,D)	RS1/16SR0R0J
	R 893 (B,102,41)	RS1/16SS183J	R 1142 (B,110,93)	RS1/10SR0R0J
	R 895 (B,113,42)	RS1/16SS222J	R 1143 (B,108,97)	RS1/16SS470J
	R 896 (B,107,40)	RS1/16SS222J	R 1144 (B,120,96) (B,C,D)	RS1/16SS104J
	R 897 (B,105,42)	RS1/16SS220J	R 1145 (B,119,95) (B,C,D)	RS1/16SS101J
	R 898 (B,108,42)	RS1/16SS222J	R 1148 (B,118,97) (A)	RS1/16SS0R0J
	R 902 (A,108,55)	RS1/16SS820J	R 1149 (B,119,99) (A)	RS1/16SS0R0J
	R 904 (A,100,37)	RS1/16SS103J	R 1214 (B,46,98)	RS1/16SS0R0J
	R 906 (A,97,39)	RS1/16SS561J	R 1215 (B,48,99)	RS1/16SS0R0J
	R 908 (A,96,40)	RS1/16SS561J	R 1228 (B,51,75)	RS1/16SS0R0J
F	R 910 (A,96,39)	RS1/16SS561J	R 1271 (A,71,101)	RS1/16SS103J
	R 912 (A,95,40)	RS1/16SS561J	R 1272 (B,67,108)	RS1/16SS684J
	R 914 (A,94,39)	RS1/16SS561J	R 1286 (B,62,108)	RS1/16SS100J
	R 916 (A,94,40)	RS1/16SS561J	R 1287 (B,65,106)	RS1/16SS102J
			R 1301 (B,23,115)	RS1/16SS683J

5		6		7		8	
<u>Circuit Symbol and No.</u>		<u>Part No.</u>		<u>Circuit Symbol and No.</u>		<u>Part No.</u>	
R 1302	(B,23,117)	RS1/16SS683J		R 3063	(A,104,135)	RS1/16SS223J	
R 1303	(B,27,118)	RS1/16SS152J		R 3064	(A,105,134)	RS1/16SS223J	
R 1304	(B,27,119)	RS1/16SS101J		R 3071	(B,107,125)	RS1/16SS223J	A
R 1306	(B,21,117)	RS1/16SS103J		R 3072	(B,105,123)	RS1/16SS223J	
R 1308	(B,25,114)	RS1/16SS103J		R 3073	(B,105,121)	RS1/16SS223J	
R 1309	(B,32,115)	RS1/16SS104J		R 3074	(B,105,119)	RS1/16SS223J	
R 1310	(B,33,114)	RS1/16SS473J		R 3076	(B,91,118)	RS1/10SR0R0J	
R 1314	(B,17,117)	RS1/16SS473J		R 3091	(A,94,107)	RS1/16SS152J	
R 1315	(B,15,116)	RS1/16SS102J		R 3092	(A,94,110)	RS1/16SS103J	
R 1316	(B,19,118)	RS1/16SS0R0J		R 3093	(A,86,108)	RS1/16SS122J	
R 2009	(B,55,34)	RS1/16SS102J		R 3105	(B,150,115)	RS1/16SS102J	
R 2204	(A,38,27)	RS1/16SS103J		R 3106	(B,150,119)	RS1/16SS103J	
R 2206	(A,38,26)	RS1/16SS103J		R 3107	(B,149,117)	RS1/16SS103J	
R 2207	(A,42,26)	RS1/16SS272J		R 3108	(B,150,116)	RS1/16SS103J	B
R 2208	(A,44,25)	RS1/16SS272J		R 3109	(B,155,116)	RS1/16SS2402D	
R 2209	(A,40,25)	RS1/16SS0R0J		R 3122	(B,115,22)	RS1/16SS272J	
R 2210	(A,41,24)	RS1/16SS0R0J		R 3141	(B,151,132)	RAB4CQ750J	
R 2212	(A,28,13)	RS1/16SS391J		R 3142	(A,135,120)	RS1/16SS562J	
R 2213	(A,18,15)	RS1/16SS105J		R 3143	(A,135,119)	RS1/16SS332J	
R 2214	(A,21,15)	RS1/16SS105J		R 3144	(A,131,120)	RS1/16SS103J	
R 2242	(B,37,29)	RS1/16SS0R0J		R 3145	(A,129,120)	RS1/16SS103J	
R 2243	(A,32,22)	RS1/16SS0R0J		R 3146	(A,130,118)	RS1/10SR222J	
R 2244	(A,32,21)	RS1/16SS0R0J		R 3147	(B,119,122)	RS1/16SS223J	
R 2401	(B,148,106)	RS1/16SS752J		R 3148	(B,118,121)	RS1/16SS223J	
R 2402	(A,152,107)	RS1/16SS102J		R 3149	(B,118,119)	RS1/16SS562J	C
R 2403	(A,152,108)	RS1/16SS102J		R 3150	(A,142,125)	RS1/16SS102J	
R 2404	(A,152,105)	RS1/16SS102J		R 3151	(A,138,125)	RS1/16SS102J	
R 2405	(B,150,94)	RS1/16SS224J		R 3152	(A,135,125)	RS1/16SS471J	
R 2406	(B,144,92)	RS1/16SS1202D		R 3153	(A,133,125)	RS1/16SS471J	
R 2407	(B,151,106)	RS1/16SS152J		R 3157	(B,119,119)	RS1/16SS272J	
R 2408	(B,151,105)	RS1/16SS3302D		R 3158	(B,119,118)	RS1/16SS272J	
R 2409	(B,149,101)	RS1/16SS8201D		R 3168	(B,149,126)	RS1/16SS103J	
R 2410	(A,152,106)	RS1/16SS102J		R 3221	(A,143,116)	RS1/16SS0R0J	
R 2413	(B,143,92)	RS1/16SS394J		R 3222	(A,138,120)	RS1/16SS271J	
R 2414	(B,143,94)	RS1/16SS204J		R 3223	(A,138,119)	RS1/16SS684J	
R 2416	(B,144,94)	RS1/16SS0R0J		R 3224	(A,141,116)	RS1/16SS1802D	D
R 2420	(B,147,93)	RS1/16SS104J		R 3225	(A,140,118)	RS1/16SS1302D	
R 2421	(A,147,102) 0.039 ohm	CCN1325		R 3226	(A,137,116)	RS1/16SS682J	
R 2553	(B,26,45)	RS1/16SS0R0J		R 3227	(A,137,118)	RS1/16SS103J	
R 2554	(B,24,46)	RS1/10SR0R0J		R 3229	(B,147,126)	RS1/16SS0R0J	
R 2555	(B,26,47)	RS1/16SS0R0J		R 3231	(A,152,118)	RS1/16SS101J	
R 2558	(B,28,49)	RS1/16SS0R0J		R 3232	(A,148,118)	RS1/16SS101J	
R 2559	(B,24,44)	RS1/10SR0R0J		R 3233	(A,145,118)	RS1/16SS101J	
R 2560	(B,20,43)	RS1/10SR0R0J		R 3289	(A,107,129)	RS1/10SR0R0J	
R 2562	(B,25,41)	RS1/8SQ221J		<u>CAPACITORS</u>			
R 2563	(B,24,48)	RS1/10SR0R0J		C 1	(B,70,149)	CKSRYB104K50	E
R 2564	(B,23,63)	RS1/16SS471J		C 4	(A,166,67) Capacitor 3 300 uF/16 V	CCH1732	
R 2565	(B,26,62)	RS1/16SS102J		C 5	(B,157,84) 10 uF	CCG1236	
R 2566	(B,26,61)	RS1/16SS221J		C 6	(B,156,84)	CKSSYB102K50	
R 2567	(B,26,60)	RS1/16SS221J		C 9	(A,166,63)	CEAT102M16	
R 2568	(B,23,59)	RS1/16SS221J		C 12	(B,57,146)	CCSSCH102J50	
R 2569	(B,23,58)	RS1/16SS221J		C 13	(B,53,130)	CCSSCH102J50	
R 2571	(B,24,53)	RS1/16SS0R0J		C 14	(B,55,146)	CCSSCH102J50	
R 2607	(B,49,66)	RS1/16SS153J		C 15	(B,52,130)	CCSSCH102J50	
R 2609	(B,62,74)	RS1/16SS473J		C 16	(B,52,146)	CCSSCH102J50	
R 3004	(A,24,81)	RS1/16SS0R0J		C 17	(B,51,130)	CCSSCH102J50	F
R 3059	(B,101,130)	RS1/16SS223J		C 18	(B,50,146)	CCSSCH102J50	
R 3060	(B,104,131)	RS1/16SS223J		C 19	(B,50,130)	CCSSCH102J50	
R 3061	(B,100,128)	RS1/16SS223J					
R 3062	(B,106,127)	RS1/16SS223J					

	1	2	3	4
	<u>Circuit Symbol and No.</u>	<u>Part No.</u>	<u>Circuit Symbol and No.</u>	<u>Part No.</u>
	C 21 (B,89,122)	CKSRYB105K10	C 401 (A,130,9)	CCSSCH100D50
	C 41 (B,53,116)	CKSSYB104K16	C 402 (A,134,13)	CCSSCH120J50
A	C 101 (A,166,40)	CEAT471M16	C 403 (A,137,12)	CKSRYB105K10
	C 102 (B,164,23)	CKSRYB104K50	C 404 (A,136,13)	CKSSYB104K10
	C 103 (B,160,24)	CKSSYB104K10	C 405 (B,132,19)	CKSRYB105K10
	C 104 (A,154,9) Capacitor	CEVW470M16	C 406 (B,132,18)	CKSSYB104K10
	C 111 (A,69,110) 1 uF	CCG1325	C 407 (B,132,21)	CKSSYB102K50
	C 112 (A,71,106)	CKSSYB104K16	C 408 (A,147,18)	CKSSYB104K10
	C 114 (A,68,110)	CKSRYB104K50	C 409 (A,144,33)	CKSSYB104K10
	C 115 (A,69,106) 4.7 uF	CCG1222	C 410 (A,146,33)	CKSRYB105K10
	C 131 (B,19,110)	CKSSYB103K16	C 414 (A,131,38)	CKSSYB104K10
	C 132 (A,13,111)	CEVW100M16	C 415 (A,131,39)	CKSRYB105K10
	C 133 (B,20,110)	CKSSYB103K16	C 419 (B,157,21) 0.1 uF	CCG1321
B	C 141 (B,156,29)	CKSRYB105K10	C 420 (B,156,21)	CKSSYB103K16
	C 142 (B,156,26)	CKSRYB105K10	C 421 (B,155,21)	CCSSCH102J50
	C 143 (B,164,27)	CKSSYB104K10	C 422 (A,119,20)	CKSSYB104K10
	C 144 (B,51,57)	CKSRYB104K16	C 423 (A,118,20)	CKSRYB105K10
	C 160 (A,155,31) 2.2 uF	CCG1218	C 424 (B,125,21)	CKSSYB104K10
	C 161 (A,154,32) 2.2 uF	CCG1218	C 425 (A,118,17)	CKSSYB104K10
	C 211 (B,45,108) 1 uF	CCG1393	C 427 (B,124,14)	CKSSYB104K10
	C 212 (A,53,109)	CEVW101M16	C 429 (B,111,20)	CKSSYB104K10
	C 221 (B,23,84)	CKSSYB104K10	C 430 (B,112,21)	CKSSYB104K10
	C 231 (B,159,34)	CKSRYB105K10	C 432 (B,125,23)	CKSSYB104K10
	C 232 (B,156,38)	CKSRYB105K10	C 433 (B,124,24)	CKSSYB104K10
C	C 271 (A,74,86)	CKSRYB105K16	C 436 (B,125,22)	CKSSYB104K10
	C 272 (A,75,91)	CKSRYB105K16	C 437 (A,147,29)	CKSSYB104K10
	C 301 (B,139,71)	CCSSCH471J50	C 438 (A,147,28)	CKSSYB104K10
	C 302 (B,139,74)	CKSSYB472K50	C 601 (A,105,52)	CKSSYB104K10
	C 303 (B,140,74)	CCSSCH8R0D50	C 602 (A,106,53)	CKSRYB104K16
	C 304 (B,152,73)	CCSSCH8R0D50	C 603 (A,106,56)	CKSSYB104K10
	C 305 (B,154,74)	CKSSYB103K16	C 604 (A,106,57)	CKSSYB104K10
	C 306 (B,154,71)	CCSSCH102J50	C 605 (A,105,60)	CKSSYB104K10
	C 307 (A,147,54)	CKSSYB102K50	C 606 (A,105,64)	CKSSYB104K10
	C 308 (A,147,53)	CKSSYB104K10	C 607 (B,99,66)	CKSRYB105K10
	C 309 (A,147,49) 10 uF/16 V	DCH1263	C 608 (A,105,69)	CKSSYB104K10
D	C 310 (A,147,51) 10 uF/16 V	DCH1263	C 609 (B,100,70)	CKSRYB105K10
	C 311 (A,153,52) 47 uF	CCG1229	C 610 (A,105,71)	CKSSYB104K10
	C 314 (A,99,13)	CKSRYB104K16	C 611 (A,106,72)	CKSSYB104K10
	C 316 (B,152,68)	CKSSYB104K10	C 612 (A,106,74)	CKSSYB104K10
	C 319 (B,152,74)	CKSSYB104K16	C 613 (A,110,74)	CCSSCH120J50
	C 320 (B,140,75)	CKSSYB104K16	C 614 (A,106,78)	CCSSCH100D50
	C 321 (B,141,68)	CKSSYB104K10	C 615 (B,100,67)	CKSRYB104K50
	C 322 (B,140,72)	CKSRYB105K10	C 616 (A,108,85)	CKSSYB104K10
	C 324 (A,141,47) 47 uF	CCG1229	C 617 (A,101,80)	CKSSYB104K10
	C 325 (A,140,51) 10 uF	CCG1192	C 618 (A,100,80)	CKSSYB104K10
	C 326 (A,140,50) 10 uF	CCG1192	C 619 (B,97,73) Capacitor 1 uF	DCH1246
E	C 327 (A,141,53)	CKSSYB104K10	C 620 (B,95,73) Capacitor 1 uF	DCH1246
	C 328 (A,141,54)	CKSSYB102K50	C 621 (A,95,79)	CKSSYB104K10
	C 330 (B,145,80)	CKSRYB473K50	C 622 (A,94,79)	CKSSYB104K10
	C 331 (B,145,79)	CKSSYB102K50	C 624 (A,91,80)	CKSSYB104K10
	C 334 (B,149,84) 10 uF	CCG1236	C 625 (A,91,79)	CKSSYB104K10
	C 335 (A,134,75)	CKSRYB104K16	C 626 (A,86,79)	CKSSYB104K10
	C 351 (A,125,51) Capacitor	CEVLW470M16	C 627 (A,85,79)	CKSSYB104K10
	C 352 (A,115,54)	CKSSYB103K16	C 628 (A,79,79)	CKSSYB104K10
	C 353 (A,120,54) 10 uF	CCG1192	C 629 (A,78,79)	CKSSYB104K10
	C 356 (B,122,45)	CKSSYB682K25	C 631 (B,76,73)	CKSSYB104K10
F	C 357 (B,127,54)	CKSSYB103K16	C 632 (B,77,69)	CKSSYB104K10
	C 358 (B,131,50) 10 uF	CCG1236	C 633 (B,77,68)	CKSSYB104K10
	C 359 (B,130,52)	CKSRYB103K50	C 634 (A,72,61)	CKSSYB104K10
	C 361 (B,49,57)	CKSRYB104K16	C 635 (B,76,65)	CKSSYB104K10

5		6	7		8
<u>Circuit Symbol and No.</u>		<u>Part No.</u>	<u>Circuit Symbol and No.</u>		<u>Part No.</u>
C 636	(A,71,57)	CKSSYB104K10	C 942	(A,109,67)	CKSRYB105K10
C 637	(A,71,55)	CKSRYB104K16	C 943	(A,109,68)	CKSRYB105K10
C 638	(A,72,51)	CKSRYB104K16	C 944	(A,125,83) Capacitor	CEVLW470M16
C 639	(A,76,46)	CKSRYB104K16	C 1101	(B,121,103)	CKSRYB105K10
C 641	(A,80,46)	CKSRYB104K16	C 1102	(B,121,101)	CKSSYB104K10
C 642	(A,83,46)	CKSRYB104K16	C 1106	(B,117,94)	CKSSYB104K10
C 643	(A,84,45)	CKSSYB104K10	C 1108	(B,116,96)	CKSSYB104K10
C 644	(A,86,45)	CKSRYB104K16	C 1110	(B,116,94)	CKSSYB104K10
C 645	(A,89,46)	CKSRYB104K16	C 1112	(B,115,96)	CKSSYB104K10
C 646	(A,92,46)	CKSSYB104K10	C 1114	(B,114,94)	CKSSYB104K10
C 647	(A,93,45)	CKSSYB104K10	C 1115	(B,116,110)	CKSRYB105K10
C 648	(A,97,46)	CKSSYB104K10	C 1116	(B,113,96)	CKSSYB104K10
C 649	(A,101,46)	CKSSYB104K10	C 1117	(B,114,110)	CKSRYB105K10
C 651	(B,109,47) 0.1 uF	CCG1321	C 1118	(B,113,94)	CKSSYB104K10
C 654	(B,157,100)	CKSRYB105K10	C 1119	(B,113,110)	CKSRYB105K10
C 655	(B,157,94)	CKSSYB104K10	C 1120	(B,112,96)	CKSSYB104K10
C 656	(B,110,47)	CCSRCH102J50	C 1122	(B,111,94)	CKSSYB104K10
C 657	(B,120,51) 0.1 uF	CCG1321	C 1124	(B,111,96)	CKSSYB104K10
C 658	(B,120,49)	CCSRCH102J50	C 1126	(B,110,94)	CKSSYB104K10
C 661	(B,119,53) 10 uF	CCG1192	C 1127	(B,103,98) 10 uF	CCG1192
C 664	(B,112,47) 10 uF	CCG1192	C 1128	(B,107,99)	CKSSYB104K10
C 700	(A,76,44)	CCSSCH8R0D50	C 1129	(B,105,98)	CKSSYB104K10
C 821	(A,119,71) 10 uF	CCG1192	C 1132	(B,105,103) 10 uF	CCG1192
C 823	(A,109,70)	CKSRYB105K10	C 1133	(B,103,100) 10 uF	CCG1192
C 824	(A,109,71)	CKSRYB105K10	C 1134	(B,120,99) (C,D)	CKSSYB104K10
C 851	(B,68,55)	CKSSYB104K10	C 1135	(B,108,96)	CCSSCH271J50
C 852	(B,68,56)	CKSSYB104K10	C 1136	(B,121,107)	CKSRYB105K10
C 853	(B,74,56)	CKSSYB104K10	C 1137	(B,121,105)	CKSRYB105K10
C 854	(B,79,56)	CKSSYB104K10	C 1138	(B,121,104)	CKSRYB105K10
C 855	(B,90,55)	CKSSYB104K10	C 1202	(A,67,98) Capacitor	CEVW470M16
C 856	(A,76,40)	CKSSYB104K10	C 1203	(A,64,91)	CKSSYB104K10
C 857	(A,74,44)	CKSSYB104K10	C 1206	(A,52,99) Capacitor	CEVW470M16
C 858	(A,79,40)	CCSSCH8R0D50	C 1208	(B,40,93)	CKSRYB105K10
C 871	(B,101,55)	CKSSYB104K10	C 1209	(B,41,92)	CKSRYB105K10
C 882	(B,106,56)	CKSSYB104K10	C 1210	(B,42,95)	CKSRYB105K10
C 891	(B,103,41)	CKSSYB104K10	C 1211	(B,43,95)	CKSRYB105K10
C 892	(B,108,43)	CKSSYB104K10	C 1212	(B,45,95)	CKSRYB105K10
C 893	(B,107,42)	CKSSYB103K16	C 1213	(B,46,95)	CKSRYB105K10
C 901	(A,113,53)	CCSSCH560J50	C 1214	(B,47,95)	CKSRYB105K10
C 902	(A,111,37) 10 uF	CCG1192	C 1215	(B,49,95)	CKSRYB105K10
C 903	(A,99,33)	CKSSYB104K10	C 1216	(B,50,95)	CKSRYB105K10
C 904	(A,106,27)	CKSSYB103K16	C 1217	(B,51,95)	CKSRYB105K10
C 905	(A,111,30)	CKSSYB103K16	C 1218	(B,51,92)	CKSRYB105K10
C 906	(A,113,31) 10 uF	CCG1192	C 1219	(B,53,92)	CKSRYB105K10
C 907	(A,111,32)	CKSSYB103K16	C 1220	(B,54,92)	CKSRYB105K10
C 908	(A,113,29) 10 uF	CCG1192	C 1223	(A,60,100) Capacitor	CEVW470M16
C 909	(A,111,34)	CKSSYB103K16	C 1224	(B,55,71)	CCG1332
C 910	(A,106,39)	CKSSYB104K10	C 1225	(A,62,86)	CKSSYB104K10
C 912	(A,103,39)	CKSSYB104K10	C 1226	(A,69,89) Capacitor	CEVW470M16
C 931	(B,134,80) 10 uF	CCG1192	C 1228	(B,53,75)	CKSSYB104K10
C 932	(B,133,80) 10 uF	CCG1192	C 1229	(B,46,76)	CKSSYB104K10
C 933	(B,136,80) 10 uF	CCG1192	C 1231	(B,40,85)	CCSSCH151J50
C 934	(B,124,80) 10 uF	CCG1192	C 1234	(B,59,86)	CCSSCH151J50
C 935	(B,126,82) 10 uF	CCG1192	C 1235	(B,40,87)	CKSSYB102K50
C 936	(B,128,84) 10 uF	CCG1192	C 1236	(B,58,87)	CKSSYB102K50
C 937	(B,129,80)	CKSSYB103K16	C 1237	(A,73,94) 0.1 uF	CCG1311
C 938	(A,109,62)	CKSRYB105K10	C 1238	(A,79,90) 0.1 uF	CCG1311
C 939	(A,109,63)	CKSRYB105K10	C 1241	(B,52,75)	CKSSYB472K50
C 940	(A,109,64)	CKSRYB105K10	C 1271	(A,79,100) 1 uF	CCG1325
C 941	(A,109,66)	CKSRYB105K10	C 1272	(B,65,100) 1 uF	CCG1325

1

Circuit Symbol and No.

C 1273 (B,61,101) 1 uF
 C 1274 (B,65,102) 1 uF
 C 1275 (B,61,103) 1 uF

A

C 1276 (B,65,104) 1 uF
 C 1277 (B,65,113) 1 uF
 C 1278 (B,62,111) 1 uF
 C 1279 (B,60,111) 1 uF
 C 1280 (B,75,112) 1 uF

■

C 1282 (A,77,100) 1 uF
 C 1283 (B,59,107) 1 uF
 C 1284 (B,42,84)
 C 1285 (B,56,83)
 C 1301 (B,28,117) 4.7 uF

B

C 1304 (A,27,121)
 C 1305 (A,34,122)
 C 1306 (A,19,117)
 C 1307 (A,17,120) 4.7 uF
 C 1308 (B,52,119)

■

C 1313 (A,66,124) 4700 uF/16V
 C 1315 (A,14,122) 0.1 uF
 C 1316 (B,22,112) 10 uF
 C 1318 (A,23,121) 0.47 uF
 C 1319 (A,30,121) 0.47 uF

C

C 1320 (A,18,122)
 C 2010 (B,60,29)
 C 2011 (B,53,27)
 C 2017 (B,60,32)
 C 2202 (A,44,31)

■

C 2203 (A,40,31)
 C 2204 (A,41,33) 10 uF
 C 2205 (A,45,23) 10 uF
 C 2206 (A,33,25)
 C 2208 (A,32,24)

D

C 2209 (A,31,24)
 C 2210 (A,33,19)
 C 2212 (A,19,22)
 C 2213 (A,19,20)
 C 2216 (A,41,22)

■

C 2219 (A,30,14)
 C 2220 (A,19,15)
 C 2224 (A,35,17)
 C 2234 (A,15,23)
 C 2238 (B,44,26)

E

C 2239 (B,45,24)
 C 2401 (B,147,106)
 C 2402 (B,147,105)
 C 2403 (B,141,94)
 C 2404 (A,140,108) Capacitor

■

C 2405 (A,151,97)
 C 2406 (B,149,98)
 C 2407 (B,150,93)
 C 2408 (B,150,95)
 C 2409 (B,150,96)

F

C 2410 (B,150,106)
 C 2412 (B,145,105) 0.1 uF
 C 2414 (A,152,104)
 C 2415 (A,143,100) 22 uF
 C 2551 (B,31,43)

C 2563 (A,15,45)
 C 2601 (B,49,60) 10 uF

2

Part No.

CCG1325
 CCG1325
 CCG1325

CCG1325
 CCG1325
 CCG1325
 CCG1325
 CCG1325

CCG1325
 CCG1325
 CKSSYB103K16
 CKSSYB103K16
 CCG1201

CKSRYB474K16
 CKSRYB474K16
 CKSQYB225K16
 CCG1291
 CKSRYB104K50

CCH2085
 CCG1311
 CCG1192
 CCG1317
 CCG1317

CCG1291
 CKSRYB105K10
 CKSRYB105K10
 CKSSYB104K10
 CKSSYB104K10

CKSSYB104K10
 CCG1192
 CCG1192
 CKSSYB104K10
 CKSSYB224K6R3

CKSSYB102K50
 CKSSYB104K10
 CCSSCH220J50
 CCSSCH271J50
 CKSSYB104K10

CCSSCH102J50
 CCSSCH471J50
 CKSSYB152K50
 CCSSCH100D50
 CCSSCH101J50

CCSSCH101J50
 CKSSYB222K50
 CCSSCH270J50
 CKSSYB104K16
 CEVLW470M16

CEVW101M16
 CKSRYB105K10
 CKSSYB102K50
 CKSSYB472K25
 CKSSYB104K16

CCSSCH681J50
 CCG1286
 CKSSYB104K10
 CCG1254
 CKSSYB104K10

CKSRYB104K50
 CCG1192

3

Circuit Symbol and No.

C 2604 (B,51,69)
 C 2605 (B,51,70)
 C 2606 (B,49,63)

C 2607 (B,49,64)
 C 2608 (B,56,76)
 C 2609 (B,56,77)
 C 2610 (A,53,82)
 C 2611 (A,53,83)

C 3001 (B,33,87) 10 uF
 C 3003 (A,59,91)
 C 3006 (A,17,72)
 C 3051 (A,108,128)
 C 3052 (B,97,124)

C 3053 (B,99,119)
 C 3054 (B,103,124) 2.2 uF
 C 3055 (B,83,117) 4.7 uF
 C 3056 (B,83,111) 4.7 uF
 C 3057 (B,87,115) 4.7 uF

C 3058 (B,87,110) 4.7 uF
 C 3059 (B,83,114) 4.7 uF
 C 3060 (B,87,112) 4.7 uF
 C 3061 (B,103,120) 2.2 uF
 C 3062 (B,99,118)

C 3063 (B,97,126)
 C 3064 (B,99,120)
 C 3065 (B,97,113)
 C 3066 (B,96,116)
 C 3067 (A,111,123)

C 3069 (A,110,123)
 C 3091 (A,88,108)
 C 3101 (B,165,118) 10 uF
 C 3102 (B,154,114)
 C 3147 (A,130,117)

C 3148 (A,138,123)
 C 3149 (A,140,121)
 C 3150 (A,135,123)
 C 3151 (A,133,123)
 C 3153 (A,139,127)

C 3154 (B,153,130)
 C 3221 (A,140,116)
 C 3222 (A,141,118)
 C 3231 (A,146,119)
 C 3232 (A,153,117) 10 uF

C 3233 (A,153,119)
 C 3234 (A,150,119)
 C 3235 (A,143,119)
 C 3236 (A,143,125)
 C 3237 (A,144,125)

C 3238 (A,146,125)
 C 3239 (A,147,125)
 C 3240 (A,149,125)
 C 3241 (A,150,125)
 C 3242 (A,152,125)

C 3243 (A,154,125)
 C 3281 (A,126,124)
 C 3282 (A,127,123)

4

Part No.

CKSSYB103K16
 CKSSYB104K10
 CKSSYB104K10

CKSSYB103K16
 CKSSYB103K16
 CKSSYB104K10
 CKSSYB104K10
 CKSSYB103K16

CCG1192
 CEVW101M16
 CKSSYB104K10
 CCSSCH101J50
 CKSRYB104K50

CKSRYB104K50
 CCG1218
 CCG1201
 CCG1201
 CCG1201

CCG1201
 CCG1201
 CCG1201
 CCG1218
 CCSSCH101J50

CCSSCH101J50
 CCSSCH101J50
 CCSSCH101J50
 CCSSCH560J50
 CCSSCH560J50

CKSSYB104K10
 CKSSYB471K50
 CCG1192
 CKSSYB104K10
 CKSSYB102K50

CKSSYB102K50
 CKSSYB102K50
 CCSSCH180J50
 CCSSCH180J50
 CKSSYB102K50

CCSSCH101J50
 CKSSYB104K10
 CKSSYB104K10
 CKSSYB104K10
 CCG1192

CKSSYB104K10
 CKSSYB104K10
 CKSSYB104K10
 CKSRYB105K10
 CKSRYB105K10

CKSRYB105K10
 CKSRYB105K10
 CKSRYB105K10
 CKSRYB105K10
 CKSRYB105K10

CKSRYB105K10
 CCSRCH101J50
 CCSRCH101J50

B**Unit Number : CWN9688**

1

2

3

4

5		6		7		8	
<u>Circuit Symbol and No.</u>		<u>Part No.</u>		<u>Circuit Symbol and No.</u>		<u>Part No.</u>	
Unit Name : Monitor Unit				R 5105	(A,113,65)	RS1/16SS104J	
				R 5106	(A,115,76)	RS1/16SS102J	
				R 5107	(A,113,70)	RS1/16SS223J	
				R 5109	(A,113,68)	RS1/16SS563J	A
MISCELLANEOUS							
IC 5001	(A,128,47)	Interface IC	AK4187VN	R 5110	(A,117,67)	RS1/16SS104J	
IC 5101	(A,115,73)	Display	OZ527ILN	R 5111	(A,118,67)	RS1/16SS101J	
IC 5201	(A,81,101)	CONV IC	R1290K103A	R 5112	(A,120,75)	RS1/16SS102J	
IC 5301	(A,37,55)	IC	TC7SH08FUS1	R 5113	(A,121,74)	RS1/16SS1202D	
IC 5401	(A,48,65)	Interface IC	BU90R104	R 5114	(A,122,74)	RS1/16SS1202D	
Q 5201	(A,73,105)	Resistor Built-IN TR	LTC024EEB	R 5119	(A,126,75)	RS1/16SS105J	
Q 5202	(A,64,98)	Transistor	2SAR502UB	R 5121	(A,124,74)	RS1/16SS154J	
Q 5301	(A,95,74)	Bipolar TR	LSAR523UB	R 5123	(A,115,79)	RS1/8SQ2R2J	
Q 5302	(A,98,78)	Bipolar TR	LSCR523UB	R 5201	(A,73,103)	RS1/16SS8201D	
D 5101	(A,115,82)	Diode	RB060M-30	R 5202	(A,76,103)	RS1/16SS6800D	
D 5102	(A,100,59)	Diode	CRG03	R 5203	(A,75,103)	RS1/16SS1502D	B
D 5201	(A,79,94)	Schottky Diode	DB2J41100	R 5206	(A,76,102)	RS1/16SS9102D	
D 5202	(A,67,100)	Diode	RB548W	R 5207	(A,76,101)	RS1/16SS1802D	
D 5203	(A,70,100)	Diode	RB548W	R 5208	(A,87,103)	RS1/16SS203J	
D 5204	(A,68,106)	Diode	RB548W	R 5209	(A,89,102)	RS1/16SS104J	
L 5102	(A,111,79)	Inductor	CTH1558	R 5210	(A,62,96)	RS1/16SS103J	
L 5201	(A,83,95)	Choke Coil 22 uH	CTH1426	R 5211	(A,77,105)	RS1/16SS472J	
L 5301	(A,54,36)	Inductor	CTF1765	R 5212	(A,76,99)	RS1/16SS1003D	
L 5303	(A,38,51)	Ferrite Bead	CTF1528	R 5213	(A,77,99)	RS1/16SS9101D	
L 5304	(A,36,52)	Chip Beads	VTL1126	R 5214	(A,79,92)	RS1/8SQ2R2J	
L 5401	(A,39,52)	Chip Beads	VTL1126	R 5216	(A,86,105)	RS1/16SS3303D	C
L 5402	(A,39,57)	Chip Beads	VTL1126	R 5217	(A,84,105)	RS1/16SS5601D	
L 5403	(A,40,52)	Chip Beads	VTL1126	R 5218	(A,83,106)	RS1/16SS3902D	
L 5404	(A,41,57)	Chip Beads	VTL1126	R 5219	(A,86,104)	RS1/16SS822J	
L 5405	(A,41,53)	Chip Beads	VTL1126	R 5231	(A,73,99)	RS1/16SS103J	
L 5406	(A,42,57)	Chip Beads	VTL1126	R 5232	(A,69,110)	RS1/16SS332J	
L 5407	(A,41,60)	Chip Beads	VTL1127	R 5301	(A,24,65)	RS1/16SS390J	
L 5408	(A,43,52)	Chip Beads	VTL1126	R 5302	(A,24,63)	RS1/16SS2R2J	
L 5409	(A,44,56)	Chip Beads	VTL1126	R 5303	(A,25,63)	RS1/16SS131J	
L 5410	(A,44,53)	Chip Beads	VTL1126	R 5304	(A,25,65)	RS1/16SS470J	
L 5411	(A,45,56)	Chip Beads	VTL1126	R 5305	(A,26,66)	RS1/16SS510J	
L 5412	(A,46,53)	Chip Beads	VTL1126	R 5307	(A,27,65)	RS1/16SS390J	D
L 5413	(A,47,53)	Chip Beads	VTL1126	R 5308	(A,28,64)	RS1/16SS1R2J	
L 5414	(A,48,54)	Chip Beads	VTL1126	R 5309	(A,29,65)	RS1/16SS750J	
L 5415	(A,49,57)	Chip Beads	VTL1126	R 5310	(A,30,65)	RS1/16SS1R5J	
L 5416	(A,50,54)	Chip Beads	VTL1126	R 5311	(A,28,62)	RS1/16SS131J	
L 5417	(A,50,57)	Chip Beads	VTL1126	R 5312	(A,29,61)	RS1/16SS750J	
L 5418	(A,51,54)	Chip Beads	VTL1126	R 5313	(A,29,59)	RS1/16SS820J	
L 5419	(A,51,57)	Chip Beads	VTL1126	R 5314	(A,29,57)	RS1/16SS200J	
L 5420	(A,58,73)	Chip Solid	XTL3010	R 5315	(A,30,57)	RS1/16SS470J	
L 5421	(A,56,73)	Chip Solid	XTL3010	R 5317	(A,29,54)	RS1/16SS560J	
L 5422	(A,60,76)	Chip Ferrite Bead	CTF1869	R 5319	(A,28,52)	RS1/16SS181J	
L 5428	(A,39,67)	Chip Beads	VTL1126	R 5321	(A,28,50)	RS1/16SS820J	E
TH5001	(A,121,22)	Thermistor	CCX1084	R 5323	(A,15,45)	RS1/16SS473J	
CN5001	(A,128,32)	Connector	CKS6625	R 5325	(A,50,48)	RS1/16SS473J	
CN5002	(A,129,88)	Connector	CKS4428	R 5331	(A,98,71)	RS1/16SS153J	
CN5003	(A,97,52)	FFC/FPC Connector	CKS6514	R 5333	(A,96,72)	RS1/16SS105J	
CN5301	(A,35,42)	FFC/FPC Connector	CKS6672	R 5335	(A,98,75)	RS1/16SS153J	
				R 5336	(A,96,76)	RS1/16SS472J	
				R 5337	(A,96,78)	RS1/16SS101J	
RESISTORS							
R 5006	(A,125,46)		RS1/16SS161J	R 5340	(A,98,76)	RS1/16SS273J	
R 5010	(A,127,44)		RS1/16SS511J	R 5341	(A,96,75)	RS1/16SS334J	
R 5011	(A,129,44)		RS1/16SS181J	R 5342	(A,36,50)	RS1/16SS470J	F
R 5012	(A,131,45)		RS1/16SS680J	R 5344	(A,14,43)	RS1/16SS473J	
R 5033	(A,122,23)		RS1/16SS183J	R 5345	(A,14,44)	RS1/16SS473J	
R 5104	(A,114,65)		RS1/16SS104J	R 5346	(A,32,48)	RS1/16SS473J	

	1	2	3	4
	<u>Circuit Symbol and No.</u>	<u>Part No.</u>	<u>Circuit Symbol and No.</u>	<u>Part No.</u>
	R 5349 (A,31,48)	RS1/16SS473J	C 5206 (A,77,91)	CKSSYB103K25
	R 5401 (A,39,51)	RS1/16SS221J	C 5207 (A,84,101)	CKSSYB102K50
	R 5402 (A,39,55)	RS1/16SS221J	C 5208 (A,68,108)	CCG1382
A	R 5403 (A,40,51)	RS1/16SS221J	C 5209 (A,88,101) Capacitor 1 uF	DCH1246
	R 5404 (A,41,55)	RS1/16SS221J	C 5210 (A,68,97)	CCG1393
	R 5405 (A,41,51)	RS1/16SS221J	C 5212 (A,70,97)	CCG1393
	R 5406 (A,42,55)	RS1/16SS221J	C 5213 (A,70,106)	CKSRYB104K50
	R 5407 (A,38,60)	RS1/16SS101J	C 5214 (A,67,102)	CKSRYB104K50
	R 5408 (A,43,51)	RS1/16SS221J	C 5215 (A,70,102)	CKSRYB104K50
	R 5409 (A,44,55)	RS1/16SS221J	C 5217 (A,66,94) 4.7 uF	CCG1222
	R 5410 (A,44,51)	RS1/16SS221J	C 5218 (A,77,107)	CKSSYB682K25
	R 5411 (A,45,55)	RS1/16SS221J	C 5219 (A,85,99) 4.7 uF	CCG1212
	R 5412 (A,46,51)	RS1/16SS221J	C 5220 (A,73,102)	CKSSYB103K16
	R 5413 (A,47,51)	RS1/16SS221J	C 5221 (A,76,100)	CKSSYB561K50
B	R 5414 (A,48,52)	RS1/16SS221J	C 5222 (A,75,95) 4.7 uF	CCG1222
	R 5415 (A,49,56)	RS1/16SS221J	C 5224 (A,84,104)	CKSSYB332K50
	R 5416 (A,50,52)	RS1/16SS221J	C 5302 (A,23,61) 4.7 uF	CCG1222
	R 5417 (A,50,56)	RS1/16SS221J	C 5304 (A,26,68)	CKSSYB104K16
	R 5418 (A,51,52)	RS1/16SS221J	C 5306 (A,28,68)	CKSSYB104K16
	R 5419 (A,51,56)	RS1/16SS221J	C 5308 (A,30,68)	CKSSYB104K16
	R 5420 (A,50,74)	RS1/16SS103J	C 5309 (A,31,64)	CKSSYB102K50
	R 5422 (A,58,68)	RS1/16SS1000D	C 5310 (A,31,63)	CKSRYB105K16
	R 5423 (A,58,66)	RS1/16SS1000D	C 5311 (A,31,61)	CKSSYB102K50
	R 5424 (A,58,64)	RS1/16SS1000D	C 5312 (A,31,60)	CKSSYB104K10
C	R 5425 (A,59,60)	RS1/16SS1000D	C 5314 (A,30,58)	CKSSYB104K10
	R 5426 (A,57,60)	RS1/16SS1000D	C 5316 (A,31,55)	CKSSYB104K10
	R 5433 (A,38,67)	RS1/16SS221J	C 5318 (A,31,52)	CKSSYB104K10
	R 5434 (A,51,76)	RS1/16SS473J	C 5320 (A,30,50)	CKSRYB105K10
	R 5435 (A,54,73)	RS1/16SS103J	C 5321 (A,55,46)	CKSSYB102K50
	R 5436 (A,53,75)	RS1/16SS221J	C 5323 (A,55,45)	CKSSYB104K16
	R 5437 (A,51,75)	RS1/16SS103J	C 5325 (A,56,43) 10 uF	CCG1236
			C 5326 (A,55,33)	CKSSYB102K50
			C 5329 (A,54,49)	CKSSYB102K50
			C 5330 (A,55,49)	CKSSYB104K10
			C 5331 (A,57,49) 10 uF	CCG1192
			C 5334 (A,20,47)	CKSSYB104K16
			C 5335 (A,18,49) 4.7 uF	CCG1222
			C 5337 (A,18,55)	CKSQYB225K16
			C 5340 (A,21,51)	CKSQYB334K50
			C 5342 (A,28,47) 2.2 uF	CCG1218
			C 5343 (A,96,71)	CKSSYB104K10
			C 5344 (A,97,81) 10 uF	CCG1236
			C 5345 (A,36,48)	CCSSCH330J50
			C 5346 (A,37,52)	CKSSYB104K10
			C 5347 (A,30,47)	CKSSYB102K50
			C 5348 (A,51,46)	CKSSYB102K50
			C 5349 (A,13,45)	CKSRYB105K10
			C 5401 (A,37,61)	CCSSCH270J50
			C 5403 (A,46,56)	CKSSYB104K10
			C 5404 (A,46,57)	CKSSYB103K16
			C 5405 (A,53,58)	CKSSYB103K16
			C 5406 (A,53,57)	CKSSYB104K10
			C 5407 (A,56,71)	CKSSYB103K16
			C 5408 (A,58,71)	CKSSYB104K10
			C 5409 (A,55,59)	CKSSYB104K10
			C 5410 (A,55,60)	CKSSYB103K16
			C 5414 (A,55,78)	CKSSYB103K16
			C 5416 (A,59,78) 10 uF	CCG1192
			C 5417 (A,39,66)	CKSSYB104K10
			C 5418 (A,40,66)	CKSSYB103K16

CAPACITORS

	C 5001 (A,133,38)	CKSSYB103K16		
	C 5002 (A,131,41)	CKSSYB103K16		
D	C 5003 (A,126,41)	CKSSYB103K16		
	C 5004 (A,124,38)	CKSSYB103K16		
	C 5005 (A,124,48) 10 uF	CCG1244		
	C 5006 (A,127,52) 10 uF	CCG1244		
	C 5007 (A,127,51)	CKSSYB104K10		
	C 5008 (A,125,48)	CKSSYB104K10		
	C 5011 (A,94,56)	CKSSYB104K10		
	C 5015 (A,121,21)	CKSSYB104K10		
	C 5016 (A,121,23)	CKSSYB104K10		
	C 5101 (A,104,61) 10 uF/16 V	DCH1263		
E	C 5103 (A,107,70) 10 uF/16 V	DCH1263		
	C 5104 (A,107,72) 10 uF/16 V	DCH1263		
	C 5105 (A,112,67) 1 uF/16V	CCG1382		
	C 5106 (A,111,72) 1 uF/16V	CCG1382		
	C 5108 (A,114,68) Capacitor 1 uF	DCH1246		
	C 5109 (A,116,67)	CCSSCH101J50		
	C 5110 (A,120,80) 10 uF	CCG1236		
	C 5113 (A,122,75)	CKSRYB224K16		
	C 5120 (A,117,79)	CKSSYB332K50		
	C 5121 (A,123,98)	CCSRCH101J50		
	C 5201 (A,81,106)	CKSSYB224K6R3		
F	C 5203 (A,78,106) Capacitor 1 uF	DCH1246		
	C 5204 (A,80,106)	CKSSYB224K6R3		
	C 5205 (A,73,100)	CKSSYB104K10		

5		6		7		8	
<u>Circuit Symbol and No.</u>		<u>Part No.</u>		<u>Circuit Symbol and No.</u>		<u>Part No.</u>	
C 5419	(A,48,73)	CKSSYB103K16		R 1216	(B,26,20)	RS1/10SR1R0J	
C 5420	(A,48,74)	CKSSYB104K10		R 1218	(A,17,11)	RS1/16SS1R0J	
C 5421	(A,54,74) 2.2 uF	CCG1205		R 1219	(A,17,12)	RS1/16SS1R0J	
				R 1222	(A,18,8)	RS1/16SS1R0J	
				R 1223	(A,18,7)	RS1/16SS1R0J	



Unit Number : CWX4733

Unit Name : DVD Core Unit

MISCELLANEOUS

IC 1002	(B,72,58) IC	MM1886A50P		R 1314	(B,85,22)	RAB4CQ822J	
IC 1004	(B,87,62) IC	NJM2856DL3-33		R 1401	(B,74,31)	RS1/16SS221J	
IC 1005	(B,78,65) IC	MM3571A12P		R 1402	(B,52,30)	RS1/16SS103J	
IC 1201	(A,26,15) IC	BD8217EFV		R 1405	(B,78,13)	RS1/16SS103J	
IC 1401	(B,63,34) Flash ROM Unit	CWJ1675		R 1406	(B,79,10)	RS1/16SS472J	
				R 1480	(B,55,21)	RAB4CQ560J	
IC 1402	(A,85,20) Flash ROM Unit	CWJ1676		R 1481	(B,60,22)	RAB4CQ560J	
IC 1480	(B,62,13) IC	M12L64164A-5TG2Y		R 1482	(B,64,21)	RAB4CQ560J	
IC 1501	(A,61,20) IC	MN2DS0018MA		R 1483	(B,67,21)	RAB4CQ560J	
Q 1101	(B,63,51) IC	LSCR523UB		R 1484	(B,70,21)	RAB4CQ560J	
Q 1102	(B,67,49) IC	LSCR523UB					
				R 1485	(B,53,5)	RAB4CQ560J	
Q 1103	(B,63,56) Transistor	2SB1132		R 1486	(B,58,5)	RAB4CQ560J	
Q 1104	(B,63,44) Transistor	2SB1132		R 1487	(B,67,5)	RAB4CQ560J	
L 1500	(A,44,14) Chip Beads	VTL1126		R 1488	(B,71,5)	RAB4CQ560J	
L 1512	(A,58,5) Inductor	CTF1743		R 1489	(B,62,5)	RS1/16SS560J	
L 1900	(A,91,70) Inductor	CTF1487					
				R 1490	(B,53,21)	RS1/16SS560J	
L 1901	(B,83,65) Inductor	CTF1558		R 1501	(A,46,9)	RS1/16SS122J	
L 1902	(A,81,69) Inductor	CTF1734		R 1503	(A,46,12)	RS1/16SS105J	
X 1501	(A,44,11) Resonator 27.000 MHz	CSS1768		R 1504	(A,42,14)	RS1/16SS121J	
CN1101	(A,41,43) Connector	CKS6628		R 1509	(A,64,39)	RS1/16SS102J	
CN1201	(A,24,35) Connector	CKS6640					
				R 1510	(A,65,35)	RS1/16SS102J	
CN1301	(B,90,12) Connector	CKS6704		R 1512	(A,60,5)	RS1/16SS101J	
CN1901	(A,73,56) Connector	CKS6025		R 1513	(A,67,43)	RS1/16SS103J	
				R 1514	(A,68,37)	RS1/16SS183J	
				R 1515	(A,70,38)	RS1/16SS472J	

RESISTORS

R 1101	(B,60,49)	RS1/16SS104J		R 1516	(A,65,41)	RS1/16SS103J	
R 1102	(B,66,51)	RS1/16SS104J		R 1517	(A,77,16)	RS1/16SS103J	
R 1103	(B,66,53)	RS1/16SS391J		R 1518	(A,77,23)	RS1/16SS103J	
R 1104	(B,61,51)	RS1/16SS511J		R 1522	(A,66,40)	RS1/16SS103J	
R 1105	(B,69,48)	RS1/16SS4300F		R 1523	(A,66,38)	RS1/16SS221J	
				R 1524	(A,73,42)	RS1/16SS472J	
R 1106	(B,68,51)	RS1/16SS5600F		R 1525	(A,69,35)	RS1/16SS223J	
R 1109	(B,67,53)	RS1/16SS3R3J		R 1526	(A,69,39)	RS1/16SS103J	
R 1110	(B,59,48)	RS1/16SS3R3J		R 1527	(A,68,35)	RS1/16SS223J	
R 1111	(B,59,58)	RS1/10SR2R2J		R 1528	(A,78,18)	RS1/16SS103J	
R 1112	(B,59,53)	RS1/10SR2R2J					
				R 1529	(A,76,19)	RS1/16SS103J	
R 1113	(B,69,46)	RS1/10SR3R3J		R 1530	(B,4,12)	RS1/16SS103J	
R 1114	(B,67,43)	RS1/10SR3R9J		R 1531	(A,67,36)	RS1/16SS391J	
R 1115	(B,59,55)	RS1/10SR2R2J		R 1534	(A,73,38)	RS1/16SS221J	
R 1116	(B,59,56)	RS1/10SR2R2J		R 1536	(A,71,38)	RS1/16SS103J	
R 1117	(B,67,45)	RS1/10SR3R9J					
				R 1537	(A,72,40)	RS1/16SS103J	
R 1118	(B,67,46)	RS1/10SR3R9J		R 1538	(A,63,6)	RS1/16SS103J	
R 1200	(A,32,8)	RS1/16SS753J		R 1540	(A,72,39)	RS1/16SS221J	
R 1201	(A,32,7)	RS1/16SS753J		R 1541	(A,74,40)	RS1/16SS221J	
R 1205	(A,33,21)	RS1/16SS1R0J		R 1542	(A,75,33)	RS1/16SS103J	
R 1210	(B,18,17)	RS1/16SS101J					
				R 1543	(A,69,37)	RS1/16SS561J	
R 1211	(A,18,12)	RS1/16SS102J		R 1544	(A,76,33)	RS1/16SS103J	
R 1212	(A,19,12)	RS1/16SS102J		R 1545	(A,77,20)	RS1/16SS103J	
R 1213	(B,22,20)	RS1/10SR1R0J		R 1546	(A,77,22)	RS1/16SS103J	
R 1214	(B,21,19)	RS1/10SR1R0J		R 1550	(B,49,27)	RS1/16SS6801F	
R 1215	(B,23,20)	RS1/10SR1R0J					

1

2

3

4

Circuit Symbol and No.**Part No.****Circuit Symbol and No.****Part No.**

R 1551	(B,49,25)	RS1/16SS4702F			
R 1556	(A,60,48)	RS1/16SS472J	C 1403	(B,52,33)	CKSSYB104K10
R 1600	(A,43,25)	RS1/16SS0R0J	C 1408	(B,81,13)	CKSSYB104K10
R 1601	(A,46,23)	RS1/16SS123J	C 1480	(B,50,19)	CKSSYB104K10
R 1602	(A,42,24)	RS1/16SS123J	C 1481	(B,50,20)	CKSSYB104K10
			C 1482	(B,58,20)	CKSSYB104K10
R 1603	(A,41,27)	RN1/16SE1002D			
R 1604	(A,53,35)	RS1/16SS105J	C 1484	(B,62,20)	CKSSYB104K10
R 1605	(A,54,35)	RS1/16SS105J	C 1485	(B,73,21)	CKSSYB104K10
R 1611	(A,46,25)	RS1/16SS105J	C 1487	(B,61,5)	CKSSYB104K10
R 1702	(A,47,21)	RS1/16SS3002D	C 1488	(B,56,5)	CKSSYB104K10
			C 1489	(B,74,17)	10 uF CCG1192
R 1704	(A,41,21)	RS1/16SS2402D			
R 1705	(A,40,18)	RS1/16SS1002D	C 1501	(B,48,30)	10 uF CCG1192
R 1706	(A,41,19)	RS1/16SS101J	C 1502	(B,82,19)	10 uF CCG1192
R 1905	(A,81,64)	RS1/16SS101J	C 1503	(A,62,5)	CKSSYB104K10
R 1910	(A,82,70)	RS1/16SS101J	C 1504	(A,52,6)	CKSSYB104K10
			C 1505	(A,55,6)	CKSSYB104K10
R 1922	(B,78,51)	RS1/16SS101J			
R 1923	(B,77,50)	RS1/16SS2000D	C 1506	(A,57,6)	CKSSYB104K10
R 1934	(A,69,48)	RS1/16SS101J	C 1507	(A,64,6)	CKSSYB104K10
R 1935	(A,73,47)	RS1/16SS2000D	C 1508	(A,68,6)	CKSSYB104K10
R 1940	(B,83,51)	RS1/16SS101J	C 1509	(A,70,6)	CKSSYB104K10
			C 1510	(A,46,8)	CCSSCH120J50
R 1941	(B,83,50)	RS1/16SS2000D			
R 1946	(B,79,56)	RS1/16SS101J	C 1511	(A,47,10)	CKSSYB104K10
R 1947	(B,82,56)	RS1/16SS2000D	C 1512	(A,44,13)	CCSSCH100D50
			C 1513	(B,75,11)	CKSSYB104K10
			C 1514	(A,47,13)	CKSSYB104K10
			C 1515	(A,47,16)	CKSSYB104K10

CAPACITORS

C 1003	(B,73,62)	CKSRYB105K16			
C 1004	(B,69,57)	4.7 uF CCG1201	C 1516	(B,75,14)	CKSSYB104K10
C 1005	(B,38,7)	CKSRYB105K16	C 1517	(A,76,17)	CKSSYB104K10
C 1006	(B,32,6)	CKSSYB104K10	C 1518	(B,76,22)	CKSSYB104K10
C 1007	(A,77,49)	CCSSCH101J50	C 1519	(A,77,26)	CKSSYB104K10
			C 1520	(A,76,30)	CKSSYB104K10
C 1008	(B,79,68)	CKSRYB474K10			
C 1009	(B,77,62)	CKSRYB474K10	C 1521	(A,61,35)	CKSSYB104K10
C 1010	(B,85,71)	2.2 uF CCG1218	C 1522	(A,67,35)	CKSSYB104K10
C 1011	(B,83,67)	CKSRYB105K10	C 1523	(A,70,35)	CKSSYB471K50
C 1021	(B,48,12)	CKSRYB102K50	C 1524	(A,67,39)	CKSSYB473K16
			C 1525	(A,68,39)	CKSSYB103K16
C 1022	(B,41,6)	CKSRYB102K50			
C 1101	(B,70,53)	10 uF CCG1192	C 1526	(A,66,36)	CKSSYB103K16
C 1104	(B,60,52)	CKSSYB104K10	C 1528	(A,71,37)	CKSSYB471K50
C 1105	(B,60,48)	CKSSYB104K10	C 1529	(A,68,41)	CKSSYB103K16
C 1106	(B,61,59)	CKSSYB103K16	C 1530	(B,49,26)	CKSSYB104K10
			C 1531	(A,70,40)	CKSSYB473K16
C 1107	(B,64,41)	CKSSYB103K16			
C 1108	(A,37,34)	CKSSYB103K16	C 1601	(A,43,27)	CKSSYB103K16
C 1109	(A,38,33)	CKSRYB224K16	C 1602	(A,47,22)	CCSSCH101J50
C 1110	(A,36,36)	CKSSYB103K16	C 1603	(A,42,23)	CCSSCH101J50
C 1111	(A,40,35)	CKSRYB224K16	C 1604	(A,44,23)	CCSSCH680J50
			C 1605	(A,41,23)	CCSSCH680J50
C 1112	(B,59,44)	CKSYB226K6R3			
C 1113	(B,67,56)	CKSYB226K6R3	C 1606	(A,39,27)	CKSSYB104K10
C 1201	(B,27,16)	4.7 uF CCG1222	C 1607	(A,52,37)	10 uF CCG1192
C 1202	(B,27,19)	CKSSYB104K16	C 1608	(A,47,33)	CKSRYB105K10
C 1205	(A,32,22)	CKSSYB103K16	C 1609	(A,54,37)	CKSSYB104K10
			C 1612	(A,54,39)	CKSSYB104K10
C 1206	(A,35,22)	CKSSYB104K16			
C 1207	(A,32,19)	CKSSYB104K16	C 1613	(A,55,39)	CKSSYB104K10
C 1208	(A,32,14)	CKSSYB104K16	C 1614	(A,56,38)	CKSSYB104K10
C 1212	(A,31,24)	CKSSYB104K16	C 1615	(A,56,37)	CKSSYB104K10
C 1213	(B,21,25)	CKSSYB222K50	C 1616	(A,56,35)	CKSSYB104K10
			C 1617	(A,57,35)	CKSSYB104K10
C 1214	(B,21,27)	CKSSYB104K16			
C 1218	(A,18,9)	CKSSYB104K16	C 1618	(A,59,37)	CCSSCH101J50
C 1219	(A,20,7)	CKSSYB104K16	C 1619	(A,58,35)	CKSSYB562K25
C 1220	(B,22,12)	CEVW101M16	C 1620	(A,59,35)	CKSSYB224K6R3
C 1401	(B,75,31)	CKSSYB103K16	C 1621	(A,60,37)	CKSSYB224K6R3
			C 1622	(A,60,37)	CKSSYB333K16

1

2

3

4

5
Circuit Symbol and No.

6
Part No.

C 1623	(A,48,32)	CKSRYB105K10
C 1624	(A,60,39)	CKSSYB104K10
C 1625	(A,59,39)	CKSSYB104K10
C 1628	(A,46,25)	CKSSYB103K16
C 1700	(A,47,19)	CKSSYB104K10
C 1701	(A,46,18)	CKSSYB104K10
C 1702	(A,40,22)	CKSRYB105K10
C 1703	(A,42,20)	CKSSYB104K10
C 1704	(A,39,21)	CKSSYB104K10
C 1705	(A,45,19)	CKSRYB105K10
C 1801	(A,80,68)	CKSSYB102K50
C 1905	(A,85,64)	CKSSYB102K50
C 1908	(A,89,66)	CKSSYB102K50

D

Unit Number : CWX4034
Unit Name : Compound Unit(A)

MISCELLANEOUS

S 1201	Spring Switch(12cm)	CSN1080
S 1202	Spring Switch(8cm)	CSN1080
S 1203	Spring Switch(DISC SENS)	CSN1082
S 1204	Spring Switch(DISC SENS)	CSN1083
S 1205	Spring Switch(8cm)	CSN1081

E

Unit Number : CWX3394
Unit Name : Composite Unit(B)

MISCELLANEOUS

S 1206	Spring Switch(CLAMP)	CSN1080
--------	----------------------	---------

F

Unit Number : CWN9691
Unit Name : Keyboard Unit

MISCELLANEOUS

IC 5501	(A,158,16) IR RC Rec Module	SIR8440B5
Q 5501	(B,51,11) Chip Transistor	HN1C01FU
Q 5502	(B,49,7) Bipolar TR	LSCR523UB
Q 5503	(B,148,17) Chip Transistor	HN1C01FU
Q 5504	(B,142,16) Bipolar TR	LSCR523UB
D 5501	(A,149,10) LED	SMLVN6RGB2UK(B)
D 5502	(A,23,10) LED	SMLVN6RGB2UK(B)
S 5501	(A,65,15) Switch	CSN1057
S 5502	(A,102,15) Push Switch	CSG1155
S 5503	(A,142,15) Push Switch	CSG1155
S 5504	(A,120,6) Push Switch	CSG1155
S 5505	(A,13,11) Encoder	CSD1168
S 5506	(A,84,6) Push Switch	CSG1155
S 5507	(A,30,8) Push Switch	CSG1155
S 5508	(A,47,6) Push Switch	CSG1155
S 5509	(A,65,6) Push Switch	CSG1155
S 5510	(A,102,6) Push Switch	CSG1155
CN5501	(B,115,12) FFC/FPC Connector	CKS6638

7
Circuit Symbol and No.

8
Part No.

RESISTORS

R 5501	(B,155,17)	RS1/10SR101J
R 5503	(B,54,11)	RS1/10SR272J
R 5505	(B,51,14)	RS1/10SR560J
R 5506	(B,52,14)	RS1/10SR680J
R 5507	(B,47,10)	RS1/10SR560J
R 5508	(B,44,11)	RS1/10SR680J
R 5509	(B,47,11)	RS1/10SR272J
R 5513	(B,53,8)	RS1/10SR272J
R 5514	(B,53,7)	RS1/10SR560J
R 5515	(B,56,7)	RS1/10SR680J
R 5516	(B,39,7)	RS1/10SR152J
R 5517	(B,39,6)	RS1/10SR222J
R 5518	(B,64,8)	RS1/10SR472J
R 5519	(B,94,6)	RS1/10SR123J
R 5520	(B,151,19)	RS1/10SR272J
R 5521	(B,150,20)	RS1/10SR560J
R 5522	(B,149,22)	RS1/10SR680J
R 5523	(B,140,13)	RS1/10SR272J
R 5524	(B,148,20)	RS1/10SR560J
R 5525	(B,147,21)	RS1/10SR680J
R 5526	(B,140,14)	RS1/10SR272J
R 5527	(B,143,19)	RS1/10SR560J
R 5528	(B,144,20)	RS1/10SR680J
R 5530	(B,103,7)	RS1/10SR392J
R 5531	(B,100,7)	RS1/10SR332J
R 5532	(B,32,7)	RS1/8SQ153J

CAPACITORS

C 5502	(B,157,16) 10 uF	CCG1192
--------	------------------	---------

G

Unit Number : EWX2008
Unit Name : Main PCB Unit

MISCELLANEOUS

IC 1	(A,24,20) IC	BA6247FP
Q 1	(A,14,17) Transistor	LTC024EEB
D 1	(A,16,16) Diode	DZ2J056M0
S 1	(A,27,46) Spring Switch(DEGO)	CSN1081
CN1	(A,25,6) Connector	CKS6063

RESISTORS

R 1	(A,17,13)	RS1/16SS272J
R 2	(A,19,15)	RS1/16SS471J
R 3	(A,23,25)	RS1/16SS102J
R 4	(A,27,26)	RS1/16SS102J
R 5	(A,27,25)	RS1/16SS102J
R 6	(A,16,13)	RS1/16SS183J

CAPACITORS

C 1	(A,12,24)	CEVW101M16
C 2	(A,27,15)	CKSSYB104K16
C 3	(A,21,15)	CKSRYB105K16
C 4	(A,31,25)	CKSSYB104K16
C 5	(A,20,36)	CKSSYB223K16

1
Circuit Symbol and No.

2
Part No.

3

4

C 6	(A,14,35)	CKSSYB223K16
C 7	(A,15,11)	CKSSYB104K10

A

H

Unit Number: EWX2009
Unit Name : SW PCB Unit

MISCELLANEOUS

S 51	(A,17,7) Spring Switch(CLOSE)	CSN1080
S 52	(A,15,15) Spring Switch(OPEN)	CSN1080
VR51	(A,11,30) Variable Resistor 10 kohm	CCW1029

B **RESISTORS**

R 51	(A,11,12)	RS1/16SS272J
R 52	(A,11,11)	RS1/16SS273J
R 53	(A,11,9)	RS1/16SS472J
R 54	(A,11,10)	RS1/16SS563J

CAPACITORS

C 51	(A,11,19)	CKSSYB104K10
C 52	(A,9,14)	CKSSYB104K10

C

D

E

F