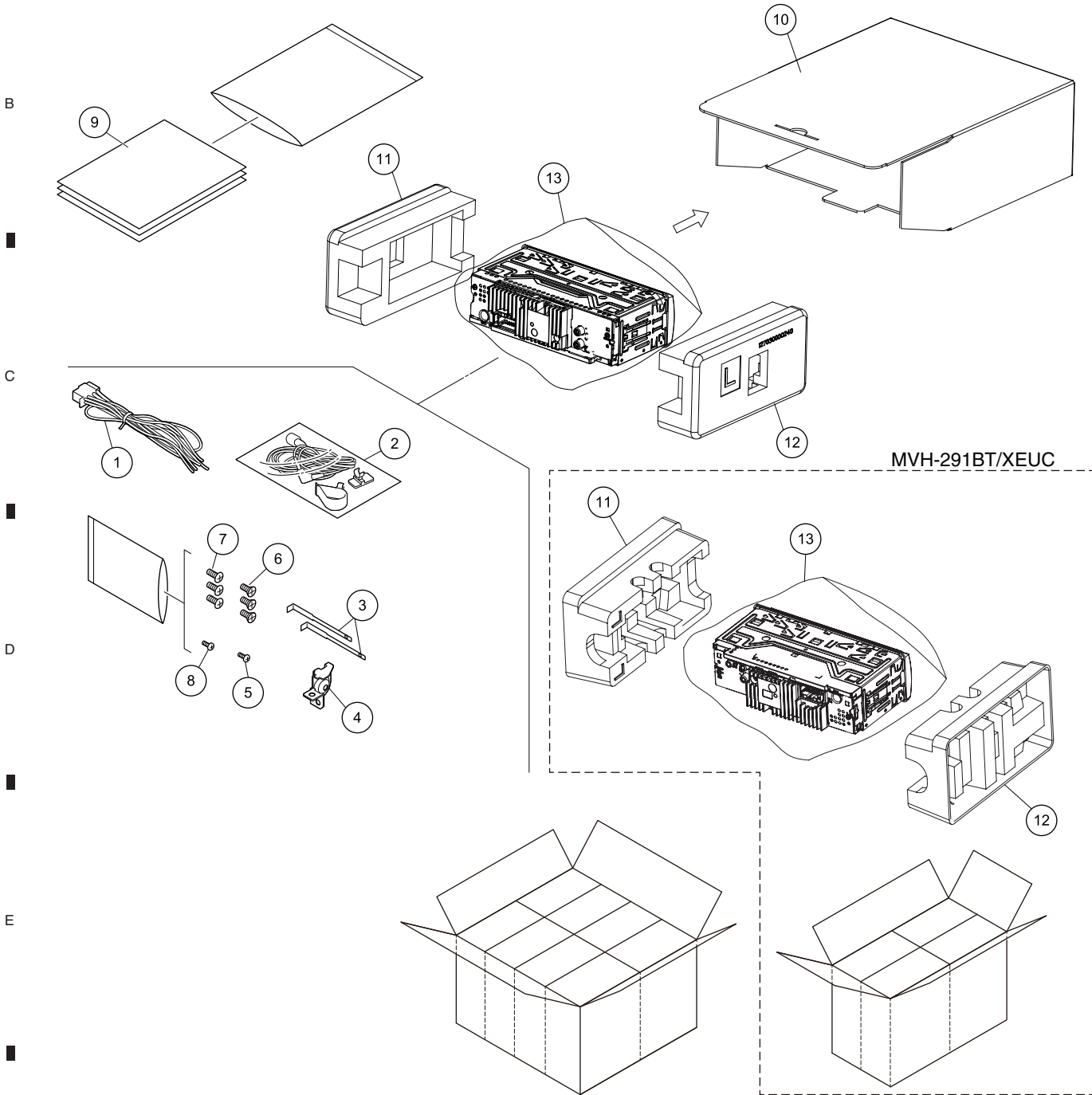


9. EXPLODED VIEWS AND PARTS LIST

- NOTES :
- Parts marked by "*" are generally unavailable because they are not in our Master Spare Parts List.
 - The ⚠ mark found on some component parts indicates the importance of the safety factor of the part. Therefore, when replacing, be sure to use parts of identical designation.
 - Screw adjacent to ▽ mark on the product are used for disassembly.
 - For the applying amount of lubricants or glue, follow the instructions in this manual.
(In the case of no amount instructions, apply as you think it appropriate.)

9.1 PACKING



(1) PACKING SECTION PARTS LIST

<u>Mark No.</u>	<u>Description</u>	<u>Part No.</u>	<u>Mark No.</u>	<u>Description</u>	<u>Part No.</u>
1	Cord Assy	CDP1480	8	Screw(M2.6 x 5)	121104070007
2	Microphone	123630000026	9-1	Owner's Manual	See Contrast table (2)
3	key	121090000687	* 9-2	Warranty Card	See Contrast table (2)
4	Bracket	141000005383			
5	Screw(M2 x 6)	See Contrast table (2)	10	Unit Box	See Contrast table (2)
			11	Protector	See Contrast table (2)
6	Screw(M5 x 9)	See Contrast table (2)	12	Protector	See Contrast table (2)
7	Screw(M5 x 7)	See Contrast table (2)	13	Polyethylene Bag	127060020025

(2) CONTRAST TABLE

MVH-290BT/XEUC, MVH-291BT/XEUC, MVH-29BT/XEUCW5 and MVH-295BT/XEES are constructed the same except for the following:

<u>Mark</u>	<u>No.</u>	<u>Description</u>	<u>MVH-290BT/XEUC</u>	<u>MVH-291BT/XEUC</u>	<u>MVH-29BT/XEUCW5</u>	<u>MVH-295BT/XEES</u>
	5	Screw(M2 x 6)	121045000007	121045000007	Not used	Not used
	6	Screw(M5 x 9)	121102020070	121102020070	Not used	Not used
	7	Screw(M5 x 7)	121102030069	121102030069	Not used	121102030069
*	9-1	Owner's Manual	127075007028	127075007028	127075007029	127075007027
	9-2	Warranty Card	127072000442	127072000442	127071006834	Not used
	10	Unit Box	127020005688	127020005686	127020005687	127020005689
	11	Protector	127030000239	127015000561	127030000239	127030000239
	12	Protector	127030000240	127015000560	127030000240	127030000240

Owner's Manual,Installation Manual

<u>Part No.</u>	<u>Language</u>
127075007028	English, French, Spanish(Espanol)
127075007029	English, Russian
127075007027	English, Spanish(Espanol), Portuguese(B)

9.2 EXTERIOR

1

2

3

4

A

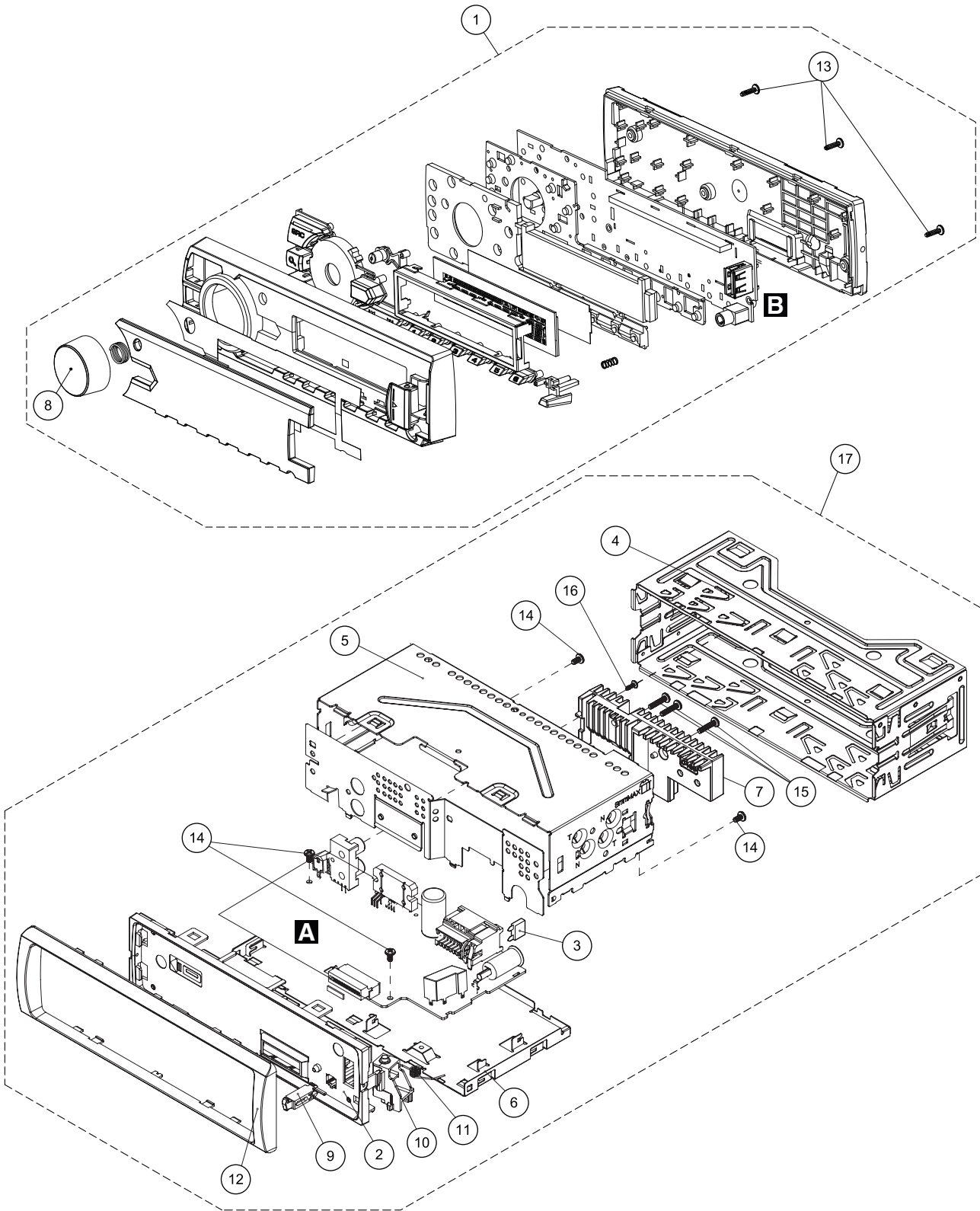
B

C

D

E

F



1

2

3

4

(1) EXTERIOR SECTION PARTS LIST

<u>Mark No.</u>	<u>Description</u>	<u>Part No.</u>	<u>Mark No.</u>	<u>Description</u>	<u>Part No.</u>
1	Detachable Assy	See Contrast table (2)	10	Lock	121200001033000
2	Cabinet	121240002183000			
⚠ 3	Fuse(10 A)	YEK5001	11	Spring	121035001071
4	Sheet	141000005098	12	Panel	121270001313000
5	Frame	141000005386	13	Screw	121045000013
			14	Screw	121104070007
6	Cover	141000005384	15	Screw	121104070012
7	Heat Sink	121015000509			
8	Knob	121230005747000	16	Screw	121106070013
9	Spike	121200001032000	* 17	MBL CMPX MODULE	See Contrast table (2)

(2) CONTRAST TABLE

MVH-290BT/XEUC, MVH-291BT/XEUC, MVH-29BT/XEUW5 and MVH-295BT/XEES are constructed the same except for the following:

Mark	No.	Description	MVH-290BT/XEUC	MVH-291BT/XEUC	MVH-29BT/XEUW5	MVH-295BT/XEES
	1	Detachable Assy	845CRB1299WAKB000	845CRB1299WMKB000	845CRB1299WUKB000	845CRB1299WEKB000
*	17	MBL CMPX MODULE	845CRB1299WAZJ000	845CRB1299WMZJ000	845CRB1299WUZJ000	845CRB1299WEZJ000

12. ELECTRICAL PARTS LIST

NOTE:

- Parts whose parts numbers are omitted are subject to being not supplied.
- The part numbers shown below indicate chip components.

Chip Resistor

RS1/○S○○○J,RS1/○○S○○○J

Chip Capacitor (except for CQS.....)

CKS....., CCS....., CSZS.....

- Parts marked by " * " are generally unavailable because they are not in our Master Spare Parts List.
- The ⚠ mark found on some component parts indicates the importance of the safety factor of the part. Therefore, when replacing, be sure to use parts of identical designation.
- The expression of the unit in this manual is shown by u instead of μ . Please do not make a mistake.

Circuit Symbol and No. Part No.

Unit Number :

Unit Name : MAIN BOARD PCB

A

Unit Number :

Unit Name : MAIN BOARD PCB

MISCELLANEOUS

U 4	Power Amp IC	PA2032A
FU1	Poly Switch	144800010012
EN100	Rotary Encoder	121658000198