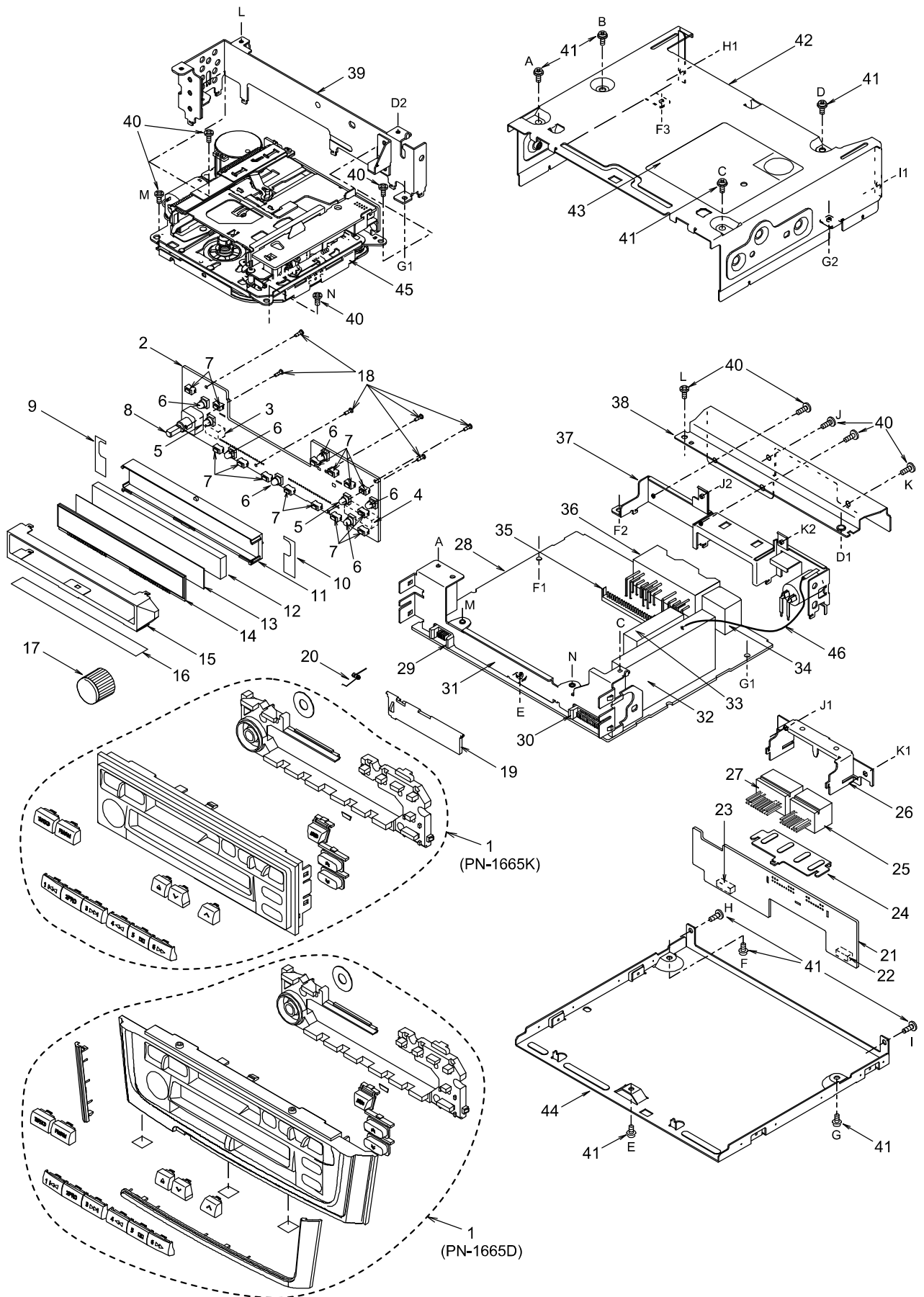


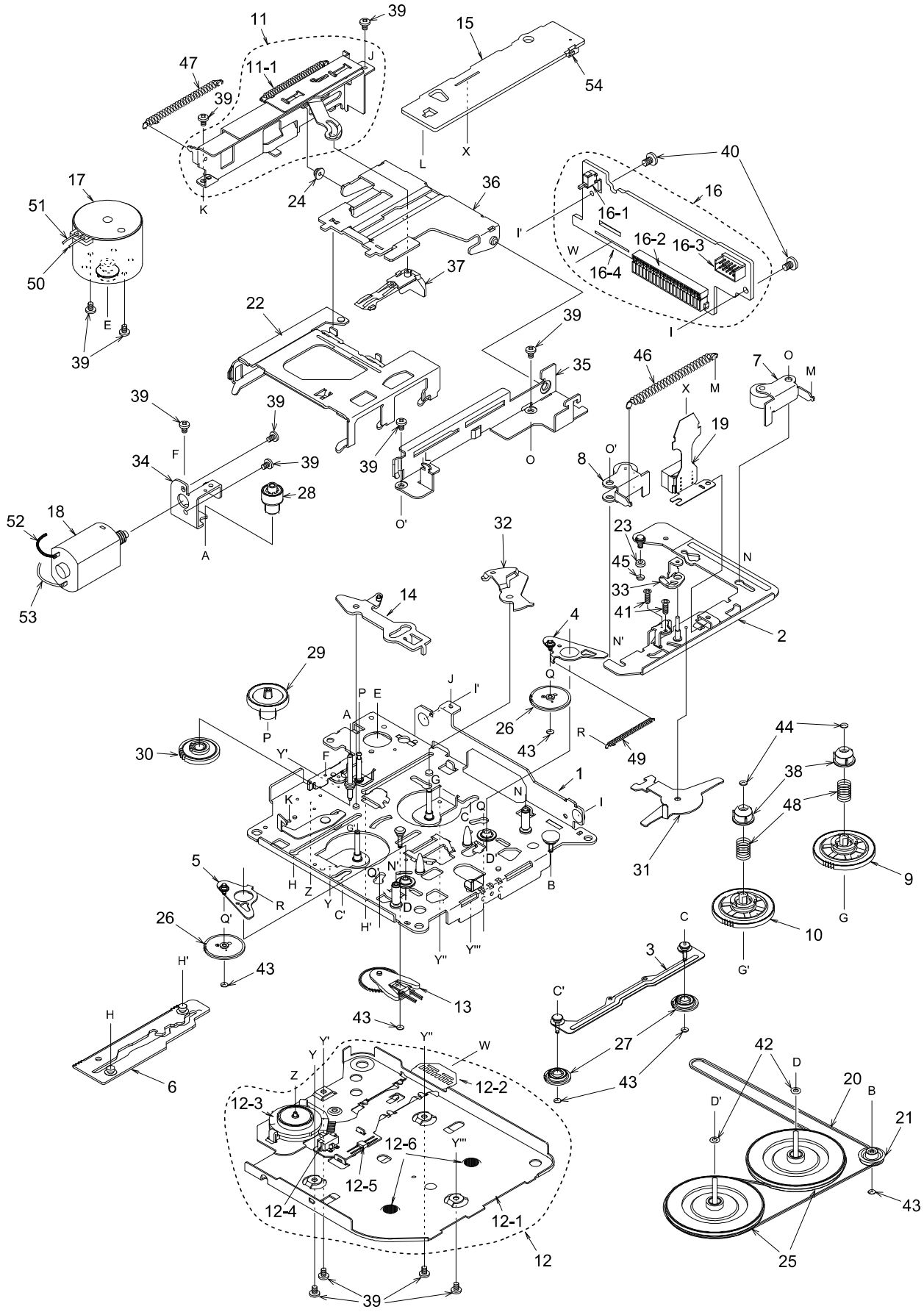
# EXPLODED VIEW • PARTS LIST

## Main section

NO.	PART NO.	DESCRIPTION	Q'TY	NO.	PART NO.	DESCRIPTION	Q'TY
1	940-7914-00	ESCUTCHEON ASSY(1665D-B)	1	24	331-2026-20	CONNECTOR HOLDER B	1
	940-7914-10	ESCUTCHEON ASSY(1665D-C)		25	074-1013-30	OUTLET SOCKET	1
	940-7874-00	ESCUTCHEON ASSY(1665K)		26	331-2025-10	CONNECTOR HOLDER A	1
2	039-1580-00	DISP PWB (WITHOUT COMPONENT)	1	27	074-1087-10	OUTLET SOCKET	1
3	074-1151-06	OUTLET SOCKET (6P)	1	28	039-1652-00	MAIN PWB (WITHOUT COMPONENT)	1
4	074-1151-16	OUTLET SOCKET (16P)	1	29	076-0540-06	PLUG (6P)	1
5	017-0447-14	PILOT LAMP(8V105mA)(1665D)	2	30	076-0540-16	PLUG (16P)	1
	017-0447-05	PILOT LAMP(8V105mA)(1665K)		31	309-0732-00	FRONT PLATE	1
6	017-0433-04	PILOT LAMP(14V40mA)	6	32	880-1726T 880-1726R	TUNER PACK(FM)(1665D) TUNER PACK(FM)(1665K)	1
7	013-6302-50	SWITCH	14	33	880-1517E 880-1517A	TUNER PACK (AM)(1665D) TUNER PACK (AM)(1665K)	1
8	016-0010-04	VARIABLE RESISTOR	1	34	074-0850-08	OUTLET SOCKET (DIN 8P)	1
9	353-0523-00	SHADE	1	35	076-0461-20	PLUG (20P)	1
10	353-0524-00	SHADE	1	36	074-1068-11	OUTLET SOCKET	1
11	335-5364-01	ILLUMI HOLDER	1	37	307-0632-01	REAR PLATE	1
12	335-6165-00	LCD ILLUMI	1	38	331-2679-01	REAR COVER	1
13	335-5493-02	COLOR FILTER	1	39	331-2471-10	MECHANISM BRACKET ASSY	1
14	379-1160-20	INDICATOR	1	40	714-2606-81	MACHINE SCREW (M2.6×6)	9
15	331-2678-00	LCD HOLDER	1	41	716-1494-00	IT SCREW (M2.6×6)	9
16	347-5491-00	SHADE	1	42	310-1663-01	UPPER CASE	1
17	380-5449-10	KNOB (1665D)	1	43	286-9233-12	SETPLATE (1665D-B)	1
	380-5449-00	KNOB (1665K)		286-9233-15	SETPLATE (1665D-C)		
	320-0572-37	DUSTPROOF COVER(1665K)		286-9233-16	SETPLATE (1665K)		
18	716-0872-00	PAD SCREW (M1.7×5)	6	44	311-1758-01	LOWER CASE	1
19	320-0529-95	DUSTPROOF COVER(1665D-B)	1	45	930-0790-04	TAPE MECHANISM	1
320-0572-41	DUSTPROOF COVER(1665D-C)	46		800-0206-00	WIRE (BLK)		
320-0572-37	DUSTPROOF COVER(1665K)						
20	750-2626-00	SPRING	1				
21	039-1579-00	SUB PWB (WITHOUT COMPONENT)	1				
22	076-0544-10	PLUG (10P)	1				
23	076-0544-12	PLUG (12P)	1				



Tape mechanism section



NO.	PART NO.	DESCRIPTION	Q'TY	NO.	PART NO.	DESCRIPTION	Q'TY
1	960-4294-14	DECK PLATE ASSY	1	22	606-0101-08	PACK GUIDE	1
2	960-4261-05	HEAD PLATE ASSY	1	23	610-0342-01	HEAD-P-ROLLER	1
3	960-4262-03	FF/REW-P-ASSY	1	24	610-0343-00	GUIDE-A-ROLLER	1
4	960-4263-03	IDLER-P-ASSY L	1	25	611-0091-02	FLYWHEEL	2
5	960-4264-03	IDLER-P-ASSY R	1	26	613-0662-00	IDLER GEAR	2
6	960-4266-05	MODE PLATE ASSY	1	27	613-0286-02	FF/REW GEAR	2
7	960-4269-05	ROLLER ASSY F	1	28	613-0288-01	HELICAL GEAR	1
8	960-4270-05	ROLLER ASSY R	1	29	613-0289-01	GEAR A	1
9	960-4348-03	REEL ASSY F	1	30	613-0337-00	POWER GEAR	1
10	960-4349-03	REEL ASSY R	1	31	630-2597-01	CHANGE LINK	1
11	960-4298-09	EJECT SUB ASSY	1	32	630-2598-05	EJECT LINK	1
11-1	750-2948-01	SWITCH PLATE SPRING	1	33	630-2600-01	ADJUST LINK	1
12	960-4338-09	BOTTOM SUB ASSY	1	34	630-2601-02	MOTOR PLATE	1
12-1	960-4295-02	BOTTOM-P-ASSY	1	35	630-2626-05	PWB FRAME	1
12-2	099-9926-01	FLEXIBLE PWB (WITHOUT COMPONENT)	1	36	630-2605-02	GUIDE ARM	1
12-3	013-3951-32	SWITCH(MODE)	1	37	631-1992-02	PACK STOPPER	1
12-4	013-3953-01	SWITCH(METAL)	1	38	631-1993-01	SLIDE BUSH	2
12-5	051-1776-00	IC	1	39	716-0484-00	SCREW(M2×2.5)	13
12-6	746-0767-00	WASHER	2	40	716-1676-00	PWB SCREW(M2.6×6)	2
13	960-4282-06	DETECT SUB ASSY	1	41	716-0833-10	SCREW(M2×5.6)	2
14	960-4301-02	PLAY LINK ASSY	1	42	746-0624-00	WASHER	2
15	039-1436-00	SIDE PWB (WITHOUT COMPONENT)	1	43	746-0724-00	WASHER	6
16	990-0713-00	REAR PWB ASSY (WITH COMPONENT)	1	44	746-0761-00	WASHER	2
16-1	013-3906-00	SWITCH(TAPE IN)	1	45	746-0762-00	WASHER	1
16-2	074-1104-20	OUTLET SOCKET(20P)	1	46	750-2946-02	PINCH SPRING	1
16-3	076-0368-10	PLUG(10P)	1	47	750-2947-03	EJECT-P-SPRING	1
16-4	039-0489-00	REAR PWB	1	48	750-2949-00	SLIDE SPRING	2
17	SMA-168-100	MAIN MOTOR ASSY	1	49	750-3017-02	IDLER-P-SPRING	1
18	SMA-169-100	POWER MOTOR ASSY	1	50	800-4910-60	WIRE(BLK)	1
19	011-0328-02	HEAD	1	51	802-4911-60	WIRE(RED)	1
20	602-0118-00	BELT	1	52	806-4914-60	WIRE(BLU)	1
21	604-0046-00	TENSION PULLEY	1	53	809-4914-60	WIRE(WHT)	1
				54	074-0898-10	OUTLET SOCKET(10P)	1

## ■ ELECTRICAL PARTS LIST

Note) Several different parts of the same reference number are alternative parts.

### Main PWB section(B1)

One of those parts is used in the set.

REF No.	PART No.	DESCRIPTION	REF No.	PART No.	DESCRIPTION	REF No.	PART No.	DESCRIPTION
BL101	880-1726T	FM TUNER (1665D)	C211	183-1063-32	16V10 $\mu$ F (1665D)	C302	042-0562-17	16V10 $\mu$ F
BL101	880-1726R	FM TUNER (1665K)	C212	178-5632-78	0.056 $\mu$ F (1665D)	C303	042-0562-17	16V10 $\mu$ F
BL201	880-1517E	AM TUNER (1665D)	C213	042-0505-07	16V3.3 $\mu$ F (1665D)	C304	042-0562-17	16V10 $\mu$ F
BL201	880-1517A	AM TUNER (1665K)	C214	178-8232-78	0.082 $\mu$ F (1665D)	C305	176-5096-00	5pF CH
C101	178-1042-78	0.1 $\mu$ F	C215	178-4712-78	470pF (1665D)	C306	176-5096-00	5pF CH
C102	043-0277-01	0.022 $\mu$ F	C216	178-2732-78	0.027 $\mu$ F (1665D)	C307	176-2201-00	22pF CH
C103	178-3932-78	0.039 $\mu$ F	C217	178-4712-78	470pF (1665D)	C308	176-2201-00	22pF CH
C104	178-3932-78	0.039 $\mu$ F	C218	176-5601-00	56pF CH (1665D)	C309	176-5096-00	5pF CH
C105	183-4763-32	16V47 $\mu$ F	C219	176-4701-00	47pF CH (1665D)	C310	176-5096-00	5pF CH
C106	178-1042-78	0.1 $\mu$ F	C220	178-4722-78	4700pF (1665D)	C311	178-1052-78	1 $\mu$ F
C107	178-6832-78	0.068 $\mu$ F	C221	178-1032-78	0.01 $\mu$ F (1665D)	C312	178-1052-78	1 $\mu$ F
C108	178-6832-78	0.068 $\mu$ F	C222	178-4732-78	0.047 $\mu$ F (1665D)	C401	042-0505-04	10V33 $\mu$ F
C201	176-1007-00	10pF CH	C223	178-1032-78	0.01 $\mu$ F (1665D)	C402	042-0562-36	50V1 $\mu$ F
C202	176-1511-00	150pF CH (1665D)	C224	178-2232-78	0.022 $\mu$ F (1665D)	C403	042-0562-36	50V1 $\mu$ F
C202	117-0000-00	1/10W 0 $\Omega$ (1665K)	C225	183-4753-52	35V4.7 $\mu$ F (1665D)	C404	042-0562-17	16V10 $\mu$ F
C203	043-0277-01	0.022 $\mu$ F	C226	183-4753-52	35V4.7 $\mu$ F (1665D)	C405	042-0562-17	16V10 $\mu$ F
C204	042-0562-14	10V100 $\mu$ F	C227	178-1042-78	0.1 $\mu$ F (1665D)	C406	042-0562-36	50V1 $\mu$ F
C205	178-1042-78	0.1 $\mu$ F	C228	178-3332-78	0.033 $\mu$ F (1665K)	C407	042-0562-36	50V1 $\mu$ F
C206	178-1022-78	1000pF (1665D)	C229	178-6832-78	0.068 $\mu$ F (1665D)	C408	042-0562-17	16V10 $\mu$ F
C207	178-2232-78	0.022 $\mu$ F (1665D)	C229	178-4732-78	0.047 $\mu$ F (1665K)	C409	042-0562-17	16V10 $\mu$ F
C208	042-0427-02	16V33 $\mu$ F (1665D)	C230	178-1032-78	0.01 $\mu$ F (1665D)	C410	042-0562-17	16V10 $\mu$ F
C209	178-1242-78	0.12 $\mu$ F (1665D)	C230	178-8222-78	8200pF (1665K)	C411	042-0562-17	16V10 $\mu$ F
C210	176-5601-00	56pF CH (1665D)	C301	042-0562-17	16V10 $\mu$ F	C412	042-0562-36	50V1 $\mu$ F

REF No.	PART No.	DESCRIPTION	REF No.	PART No.	DESCRIPTION	REF No.	PART No.	DESCRIPTION
C413	042-0562-36	50V1 $\mu$ F	C656	042-0563-71	16V100 $\mu$ F	IC651	051-1014-10	TA7291S
C414	178-1242-78	0.12 $\mu$ F	C657	178-1042-78	0.1 $\mu$ F	J301	074-0850-08	8P
C415	178-1242-78	0.12 $\mu$ F	C701	178-1042-78	0.1 $\mu$ F	J601	076-0540-16	16P
C416	178-1532-78	0.015 $\mu$ F	C702	184-4773-22	10V470 $\mu$ F	J602	076-0540-06	6P
C417	178-1532-78	0.015 $\mu$ F	C703	183-4756-51	35V4.7 $\mu$ F NP	J701	074-1068-11	
C418	178-3312-78	330pF	C704	178-1042-78	0.1 $\mu$ F	L101	010-2230-76	22 $\mu$ H
C419	178-3312-78	330pF	C705	178-1042-78	0.1 $\mu$ F	L102	010-2230-76	22 $\mu$ H
C420	042-0562-17	16V10 $\mu$ F	C706	042-0562-14	10V100 $\mu$ F	L103	010-2230-64	2.2 $\mu$ H
C421	042-0562-17	16V10 $\mu$ F	C707	178-1042-78	0.1 $\mu$ F	L201	010-2003-04	COIL
C422	178-3332-78	0.033 $\mu$ F	C708	042-0562-14	10V100 $\mu$ F	L202	010-2230-76	22 $\mu$ H
C423	042-0562-17	16V10 $\mu$ F	C709	042-0563-71	16V100 $\mu$ F	L203	010-6004-40	2.2mH J (1665D)
C424	178-1042-78	0.1 $\mu$ F	C710	172-1041-11	0.1 $\mu$ F	L601	010-2230-76	22 $\mu$ H
C425	178-2212-78	220pF	C711	042-0551-02	16V1000 $\mu$ F	L602	010-2230-76	22 $\mu$ H
C426	042-0562-17	16V10 $\mu$ F	C712	183-4753-52	35V4.7 $\mu$ F	P651	076-0461-20	20P
C427	178-2242-78	0.22 $\mu$ F	C713	178-2222-05	2200pF	Q101	125-2005-01	UN2211
C428	178-1242-78	0.12 $\mu$ F	C714	178-2222-05	2200pF	Q102	100-1298-00	2SA1298
C429	042-0562-17	16V10 $\mu$ F	C715	183-1053-62	50V1 $\mu$ F	Q103	125-2005-01	UN2211
C430	042-0562-17	16V10 $\mu$ F	C716	183-1063-32	16V10 $\mu$ F	Q104	125-9003-02	IMD3
C431	178-6832-78	0.068 $\mu$ F	C717	172-1041-11	0.1 $\mu$ F	Q202	100-1298-00	2SA1298
C501	042-0548-02	10V220 $\mu$ F	C718	178-2222-05	2200pF	Q203	125-2005-01	UN2211
C502	042-0562-20	16V47 $\mu$ F	C719	178-2222-05	2200pF	Q301	125-2005-01	UN2211
C503	043-0309-90	10V 1 $\mu$ F	C720	178-2222-05	2200pF	Q302	125-9003-02	IMD3
C504	043-0309-90	10V 1 $\mu$ F	C721	178-2222-05	2200pF	Q303	125-9003-02	IMD3
C505	168-6822-05	6800pF	C722	178-2222-05	2200pF	Q501	103-0601-00	2SD601A
C506	168-2232-05	0.022 $\mu$ F	C723	178-2222-05	2200pF	Q502	101-0709-00	2SB709A-Q.R.S
C507	042-0562-17	16V10 $\mu$ F	C724	178-2222-05	2200pF	Q503	103-0601-00	2SD601A
C508	042-0562-17	16V10 $\mu$ F	C725	178-2222-05	2200pF	Q504	101-0709-00	2SB709A-Q.R.S
C509	042-0562-17	16V10 $\mu$ F	C727	043-0328-90	0.1 $\mu$ F	Q505	101-0709-00	2SB709A-Q.R.S
C510	042-0562-17	16V10 $\mu$ F	C730	176-1011-00	100pF CH	Q506	101-0709-00	2SB709A-Q.R.S
C511	168-5612-05	560pF	CCT601	050-0122-01	47k $\Omega$ $\times$ 4 J (1665K)	Q507	101-0709-00	2SB709A-Q.R.S
C512	168-5612-05	560pF	CCT602	050-0122-03	1k $\Omega$ $\times$ 4	Q520	103-0601-00	2SD601A
C513	176-5601-00	56pF CH	CCT603	050-0122-01	47k $\Omega$ $\times$ 4 J	Q601	102-2458-51	2SC2458Y.GR.BL
C514	176-5601-00	56pF CH	CCT604	050-0122-03	1k $\Omega$ $\times$ 4	Q602	102-2458-51	2SC2458Y.GR.BL
C515	176-2201-00	22pF CH	CCT605	050-0122-03	1k $\Omega$ $\times$ 4	Q603	125-2005-01	UN2211
C516	176-2201-00	22pF CH	CCT606	050-0122-03	1k $\Omega$ $\times$ 4	Q604	125-0006-00	UN2110
C517	176-2201-00	22pF CH	CCT607	050-0122-03	1k $\Omega$ $\times$ 4	Q605	125-0006-00	UN2110
C518	176-2201-00	22pF CH	CCT608	050-0122-03	1k $\Omega$ $\times$ 4	Q606	101-0709-00	2SB709A-Q.R.S
C519	176-5601-00	56pF CH	CCT610	050-0122-03	1k $\Omega$ $\times$ 4 (1665K)	Q651	100-1428-00	2SA1428
C520	176-5601-00	56pF CH	CCT612	050-0122-03	1k $\Omega$ $\times$ 4	Q652	125-2004-06	RN1406
C521	176-5601-00	56pF CH	CCT613	050-0122-00	10k $\Omega$ $\times$ 4 J (1665D)	Q701	102-2712-00	2SC2712
C522	176-5601-00	56pF CH	CCT651	050-0122-00	10k $\Omega$ $\times$ 4 J	Q702	125-2005-01	UN2211
C523	176-2201-00	22pF CH	D501	001-0356-00	1SS184	Q703	103-2118-00	2SD2118
C524	176-2201-00	22pF CH	D502	001-0356-00	1SS184	Q704	103-1306-00	2SD1306
C525	176-2201-00	22pF CH	D601	001-0516-00	MA111	Q705	102-2712-00	2SC2712
C526	176-2201-00	22pF CH	D602	001-0516-00	MA111	Q706	103-2118-00	2SD2118
C527	176-5601-00	56pF CH	D603	001-0516-00	MA111	Q707	103-1858-00	2SD1858
C528	176-5601-00	56pF CH	D604	001-0516-00	MA111	Q708	125-9003-02	IMD3
C529	042-0548-02	10V220 $\mu$ F	D605	001-0516-00	MA111	Q709	100-1048-00	2SA1048
C530	042-0563-15	10V220 $\mu$ F	D606	001-0516-00	MA111	Q710	125-2005-01	UN2211
C531	042-0548-02	10V220 $\mu$ F	D607	001-0516-00	MA111	Q711	103-0601-00	2SD601A
C532	042-0548-02	10V220 $\mu$ F	D608	001-0516-00	MA111	Q712	103-1858-00	2SD1858
C533	042-0563-15	10V220 $\mu$ F	D610	001-0516-00	MA111	Q713	125-2005-01	UN2211
C534	042-0548-02	10V220 $\mu$ F	D612	001-0516-00	MA111 (1665D)	Q714	101-0709-00	2SB709A-Q.R.S
C535	042-0548-02	10V220 $\mu$ F	D651	001-0377-38	MA4068M	Q715	100-1359-00	2SA1359
C536	042-0548-02	10V220 $\mu$ F	D701	001-0377-43	MA4082L	Q716	125-2005-01	UN2211 (1665D)
C537	043-0309-90	10V 1 $\mu$ F	D702	001-0377-45	MA4082H	Q717	101-0709-00	2SB709A-Q.R.S
C601	043-0277-01	0.022 $\mu$ F	D703	001-0377-48	MA4091H			(1665D)
C602	042-0458-00	50V1 $\mu$ F	D704	001-0377-34	MA4062L	Q718	100-1359-00	2SA1359 (1665D)
C603	178-1022-78	1000pF	D705	001-0503-31	HZS6 A2L	Q719	125-9003-02	IMD3 (1665K)
C604	178-1042-78	0.1 $\mu$ F	D706	001-0626-00	1A2	R101	117-2221-10	1/10W 2.2k $\Omega$
C605	183-4763-32	16V47 $\mu$ F	D707	001-0516-00	MA111	R102	117-1041-10	1/10W 100k $\Omega$
C606	176-1201-00	12pF CH	D708	001-0626-00	1A2	R103	117-1521-10	1/10W 1.5k $\Omega$
C607	176-1201-00	12pF CH	D709	001-2015-00	RL253	R104	117-4731-10	1/10W 47k $\Omega$
C609	176-1011-00	100pF CH	D710	001-0516-00	MA111 (1665D)	R105	117-2221-10	1/10W 2.2k $\Omega$
C610	176-1011-00	100pF CH	D711	001-0626-00	1A2	R106	117-2221-10	1/10W 2.2k $\Omega$
C611	176-1011-00	100pF CH	IC201	051-4200-90	TA2051FN (1665D)	R107	117-1031-10	1/10W 10k $\Omega$
C612	176-3301-00	33pF CH	IC301	051-3020-90	NJM4565V	R201	117-1031-10	1/10W 10k $\Omega$
C613	183-4763-12	6.3V47 $\mu$ F	IC401	051-5012-00	LC75386	R202	117-2221-10	1/10W 2.2k $\Omega$
C614	183-4763-12	6.3V47 $\mu$ F	IC402	051-3019-90	NJM2060V	R203	117-1031-10	1/10W 10k $\Omega$ (1665D)
C615	178-1042-78	0.1 $\mu$ F	IC403	051-5011-00	TC9412AF	R204	117-1011-10	1/10W 100 $\Omega$ (1665D)
C616	178-1042-78	0.1 $\mu$ F	IC404	051-3020-90	NJM4565V	R205	117-1031-10	1/10W 10k $\Omega$ (1665D)
C617	178-1042-78	0.1 $\mu$ F	IC501	051-3020-90	NJM4565V	R206	117-1211-10	1/10W 120 $\Omega$ (1665D)
C619	178-6812-78	680pF	IC502	051-1407-00	NJM4556AL	R207	117-1231-10	1/10W 12k $\Omega$ (1665D)
C651	178-1042-78	0.1 $\mu$ F	IC503	051-1407-00	NJM4556AL	R208	117-6821-10	1/10W6.8k $\Omega$ (1665D)
C652	178-1042-78	0.1 $\mu$ F	IC504	051-1407-00	NJM4556AL	R209	117-5631-10	1/10W 56k $\Omega$ (1665D)
C653	178-1042-78	0.1 $\mu$ F	IC505	051-1407-00	NJM4556AL	R210	117-3331-10	1/10W 33k $\Omega$ (1665D)
C654	178-1042-78	0.1 $\mu$ F	IC601	052-1164-10	$\mu$ PD17718GC-534-3B9	R211	117-1021-10	1/10W 1k $\Omega$ (1665D)
C655	178-1042-78	0.1 $\mu$ F				R212	117-2221-10	1/10W2.2k $\Omega$ (1665D)

REF No.	PART No.	DESCRIPTION	REF No.	PART No.	DESCRIPTION	REF No.	PART No.	DESCRIPTION
R213	117-3921-10	1/10W 3.9kΩ (1665K)	R519	119-1021-10	1/16W 1kΩ	R625	117-4731-10	1/10W 47kΩ
R214	117-1031-10	1/10W 10kΩ	R520	119-1021-10	1/16W 1kΩ	R626	117-6821-10	1/10W 6.8kΩ
R215	117-2221-10	1/10W 2.2kΩ	R521	119-1021-10	1/16W 1kΩ	R627	117-1031-10	1/10W 10kΩ
R301	111-8211-91	1/4WS 820Ω	R522	119-3331-10	1/16W 33kΩ	R629	117-6821-10	1/10W 6.8kΩ
R302	111-8211-91	1/4WS 820Ω	R523	119-3331-10	1/16W 33kΩ	R631	117-1021-10	1/10W 1kΩ
R303	111-4731-91	1/4WS 47kΩ	R524	119-3331-10	1/16W 33kΩ	R632	119-1021-10	1/16W 1kΩ
R304	111-1021-91	1/4WS 1kΩ	R525	117-1001-10	1/10W 10Ω	R633	119-1021-10	1/16W 1kΩ
R305	111-1021-91	1/4WS 1kΩ	R526	117-2231-10	1/10W 22kΩ	R634	117-1021-10	1/10W 1kΩ
R306	117-3011-10	1/10W 300Ω	R527	117-2231-10	1/10W 22kΩ	R635	117-1021-10	1/10W 1kΩ
R307	117-3011-10	1/10W 300Ω	R528	117-1001-10	1/10W 10Ω	R651	117-1031-10	1/10W 10kΩ
R308	032-0106-65	1/10W 100kΩ ± 0.5%	R529	117-2031-10	1/10W 20kΩ	R652	117-1031-10	1/10W 10kΩ
R309	032-0106-65	1/10W 100kΩ ± 0.5%	R530	117-2231-10	1/10W 22kΩ	R653	111-1221-91	1/4WS 1.2kΩ
R310	032-0106-65	1/10W 100kΩ ± 0.5%	R531	117-1831-10	1/10W 18kΩ	R654	111-1221-91	1/4WS 1.2kΩ
R311	032-0106-65	1/10W 100kΩ ± 0.5%	R532	117-1831-10	1/10W 18kΩ	R655	117-1031-10	1/10W 10kΩ
R312	032-0106-69	1/10W 39kΩ ±0.5%	R533	117-1041-10	1/10W 100kΩ	R656	111-1001-91	1/4WS 10Ω
R313	032-0106-69	1/10W 39kΩ ±0.5%	R534	117-1041-10	1/10W 100kΩ	R657	111-1001-91	1/4WS 10Ω
R314	032-0106-69	1/10W 39kΩ ±0.5%	R535	117-1001-10	1/10W 10Ω	R658	111-1001-91	1/4WS 10Ω
R315	032-0106-69	1/10W 39kΩ ±0.5%	R536	119-1041-10	1/16W 100kΩ	R659	111-1001-91	1/4WS 10Ω
R316	117-4731-10	1/10W 47kΩ	R537	117-2231-10	1/10W 22kΩ	R660	117-2221-10	1/10W 2.2kΩ
R401	117-4741-10	1/10W 470kΩ	R538	117-1001-10	1/10W 10Ω	R702	117-4731-10	1/10W 47kΩ
R402	117-4731-10	1/10W 47kΩ	R539	117-2231-10	1/10W 22kΩ	R703	111-2021-91	1/4WS 2kΩJ
R403	117-1541-10	1/10W 150kΩ	R540	117-1001-10	1/10W 10Ω	R704	111-2021-91	1/4WS 2kΩJ
R404	117-1541-10	1/10W 150kΩ	R541	117-2031-10	1/10W 20kΩ	R705	117-4731-10	1/10W 47kΩ
R405	117-7531-10	1/10W 75kΩ	R542	117-2231-10	1/10W 22kΩ	R706	111-5611-91	1/4WS 560Ω
R406	117-1241-10	1/10W 120kΩ	R543	117-1001-10	1/10W 10Ω	R707	117-4721-10	1/10W 4.7kΩ
R407	117-1541-10	1/10W 150kΩ	R544	117-2231-10	1/10W 22kΩ	R708	111-1831-91	1/4WS 18kΩ
R408	117-7521-10	1/10W 7.5kΩ	R545	117-2231-10	1/10W 22kΩ	R709	111-3311-91	1/4WS 330Ω
R409	117-1021-10	1/10W 1kΩ	R546	117-1831-10	1/10W 18kΩ	R710	117-1031-10	1/10W 10kΩ
R410	117-1031-10	1/10W 10kΩ	R547	117-1831-10	1/10W 18kΩ	R711	111-1011-91	1/4WS 100Ω
R411	117-1031-10	1/10W 10kΩ	R548	117-1041-10	1/10W 100kΩ	R712	117-4721-10	1/10W 4.7kΩ
R412	117-1031-10	1/10W 10kΩ	R549	117-1041-10	1/10W 100kΩ	R713	117-3321-10	1/10W 3.3kΩ
R413	117-1031-10	1/10W 10kΩ	R550	117-1001-10	1/10W 10Ω	R714	117-1031-10	1/10W 10kΩ
R414	117-1031-10	1/10W 10kΩ	R551	117-2231-10	1/10W 22kΩ	R715	117-5611-10	1/10W 560Ω
R415	117-1031-10	1/10W 10kΩ	R552	117-1001-10	1/10W 10Ω	R716	117-1031-10	1/10W 10kΩ
R416	117-1031-10	1/10W 10kΩ	R553	117-2231-10	1/10W 22kΩ	R717	111-1531-91	1/4WS 15kΩ
R417	117-1031-10	1/10W 10kΩ	R555	119-4731-10	1/16W 47kΩ	R718	117-4721-10	1/10W 4.7kΩ
R418	032-0106-52	1/10W 27kΩ ±0.5%	R556	119-4731-10	1/16W 47kΩ	R719	111-1221-91	1/4WS 1.2kΩ
R419	032-0106-52	1/10W 27kΩ ±0.5%	R557	119-1031-10	1/16W 10kΩ	R720	111-6891-91	1/4WS 6.8Ω
R421	032-0106-52	1/10W 27kΩ ±0.5%	R558	119-1041-10	1/16W 100kΩ	R721	111-6891-91	1/4WS 6.8Ω
R422	032-0106-52	1/10W 27kΩ ±0.5%	R601	117-2221-10	1/10W 2.2kΩ	R722	117-4721-10	1/10W 4.7kΩ (1665D)
R501	117-4731-10	1/10W 47kΩ	R602	117-2721-10	1/10W 2.7kΩ	R723	111-1221-91	1/4WS 1.2kΩ (1665D)
R502	117-4731-10	1/10W 47kΩ	R603	117-4721-10	1/10W 4.7kΩ	R724	111-1221-91	1/4WS 1.2kΩ (1665D)
R503	119-4731-10	1/16W 47kΩ	R604	117-2221-10	1/10W 2.2kΩ	R725	111-4791-91	1/4WS 4.7Ω(1665D)
R504	119-4731-10	1/16W 47kΩ	R605	117-4731-10	1/10W 47kΩ	R726	111-4791-91	1/4WS 4.7Ω(1665D)
R505	119-4731-10	1/16W 47kΩ	R606	117-1041-10	1/10W 100kΩ	R727	114-2291-11	1W 2.2Ω
R506	119-1031-10	1/16W 10kΩ	R607	117-1021-10	1/10W 1kΩ	R728	111-8211-91	1/4WS 820Ω (1665K)
R507	119-4731-10	1/16W 47kΩ	R608	117-1021-10	1/10W 1kΩ(1665K)	R729	111-8211-91	1/4WS 820Ω (1665K)
R508	119-1021-10	1/16W 1kΩ	R609	117-4731-10	1/10W 47kΩ	R730	111-1531-91	1/4WS 15kΩ
R509	119-1031-10	1/16W 10kΩ	R610	117-1021-10	1/10W 1kΩ	R731	111-1591-91	1/4WS 1.5Ω
R510	119-5621-10	1/16W 5.6kΩ	R611	117-1021-10	1/10W 1kΩ	SUP101	060-0122-20	DSP-141N-S00B
R511	119-5621-10	1/16W 5.6kΩ	R612	117-4731-10	1/10W 47kΩ	T701	009-0621-07	CHOKE
R512	119-5621-10	1/16W 5.6kΩ	R613	117-4721-10	1/10W 4.7kΩ	VR101	012-5203-56	10kΩ (1665D)
R513	119-5621-10	1/16W 5.6kΩ	R614	117-4721-10	1/10W 4.7kΩ	VR101	012-5203-55	4.7kΩ (1665K)
R514	119-5621-10	1/16W 5.6kΩ	R615	117-2231-10	1/10W 22kΩ	VR102	012-5203-56	10kΩ (1665D)
R515	119-1051-10	1/16W 1MΩ	R616	117-1031-10	1/10W 10kΩ	VR102	012-5203-55	4.7kΩ (1665K)
R516	119-1051-10	1/16W 1MΩ	R617	117-1031-10	1/10W 10kΩ	VR103	012-5203-56	10kΩ
R517	119-3331-10	1/16W 33kΩ	R618	117-1031-10	1/10W 10kΩ	X601	061-3501-90	4.5MHz
R518	119-1021-10	1/16W 1kΩ	R619	117-1021-10	1/10W 1kΩ			
			R620	117-1021-10	1/10W 1kΩ			
			R621	117-1021-10	1/10W 1kΩ			
			R622	117-1021-10	1/10W 1kΩ			
			R623	117-4731-10	1/10W 47kΩ			
			R624	117-1041-10	1/10W 100kΩ			

Switch PWB section(B2)

REF No.	PART No.	DESCRIPTION	REF No.	PART No.	DESCRIPTION	REF No.	PART No.	DESCRIPTION
C901	178-6812-78	680pF	PL904	017-0433-04	14V40mA	S905	013-6302-50	SKQMAL
C902	042-0423-02	6.3V4.7μF	PL905	017-0433-04	14V40mA	S906	013-6302-50	SKQMAL
C903	042-0423-02	6.3V4.7μF	PL906	017-0433-04	14V40mA	S907	013-6302-50	SKQMAL
IC901	051-6005-10	LC75822W	PL907	017-0433-04	14V40mA	S908	013-6302-50	SKQMAL
P901	074-1151-16	16P	PL908	017-0433-04	14V40mA	S909	013-6302-50	SKQMAL
P902	074-1151-06	6P	R901	117-5131-10	1/10W 51kΩ	S910	013-6302-50	SKQMAL
PL901	017-0447-14	8V105mA (1665D)	R902	117-4741-10	1/10W 470kΩ	S911	013-6302-50	SKQMAL
PL901	017-0447-05	8V105mA (1665K)	S901	013-6302-50	SKQMAL	S912	013-6302-50	SKQMAL
PL902	017-0447-14	8V105mA (1665D)	S902	013-6302-50	SKQMAL	S913	013-6302-50	SKQMAL
PL902	017-0447-05	8V105mA (1665K)	S903	013-6302-50	SKQMAL	S914	013-6302-50	SKQMAL
PL903	017-0433-04	14V40mA	S904	013-6302-50	SKQMAL	VR901	016-0010-04	VR W/SHAFT

Sub PWB section(B3)

REF No.	PART No.	DESCRIPTION	REF No.	PART No.	DESCRIPTION	REF No.	PART No.	DESCRIPTION
C801	178-1022-78	1000pF	IC801	051-3019-90	NJM2060V	R815	117-6821-10	1/10W 6.8kΩ (1665K)
C802	178-1022-78	1000pF	J801	074-1013-30	OUTLET	R820	117-0000-00	1/10W 0Ω JW
C803	178-1022-78	1000pF			SOCKET(A12MW)	R821	117-1531-10	1/10W 15kΩ
C804	178-2232-78	0.022 μF	J802	074-1087-10	OUTLET	R822	117-0000-00	1/10W 0Ω JW
C805	042-0563-17	16V10 μF			SOCKET(A16MW)	R823	117-2231-10	1/10W 22kΩ
C806	042-0563-17	16V10 μF	P801	076-0544-10	10P	R824	117-1031-10	1/10W 10kΩ
C807	042-0563-17	16V10 μF	P802	076-0544-12	12P	R825	032-0092-09	1/10W 47kΩ ±1%
C808	042-0563-17	16V10 μF	Q801	125-9006-00	IMX1	R826	117-1031-10	1/10W 10kΩ
C809	178-1042-78	0.1 μF	Q802	103-0601-00	2SD601A	R827	117-1031-10	1/10W 10kΩ
C810	178-1042-78	0.1 μF (1665K)	Q803	125-2005-01	UN2211	R828	117-3331-10	1/10W 33kΩ(1665K)
C811	178-1042-78	0.1 μF (1665K)	Q804	125-0001-01	UN2111	R829	032-0092-09	1/10W 47kΩ ±1%
C812	178-1042-78	0.1 μF (1665K)	Q805	103-0601-00	2SD601A (1665K)	R830	117-1031-10	1/10W 10kΩ(1665K)
C814	117-0000-00	1/10W 0Ω JW	Q806	103-0601-00	2SD601A (1665K)	R831	032-0092-09	1/10W 47kΩ ±1%
C815	178-4722-78	4700pF	Q807	103-0601-00	2SD601A (1665K)	R832	032-0092-09	1/10W 47kΩ ±1%
C816	178-1042-78	0.1 μF (1665K)	Q808	103-0601-00	2SD601A (1665K)	R833	117-3331-10	1/10W 33kΩ(1665K)
C818	178-1042-78	0.1 μF (1665K)	Q809	125-2005-01	UN2211	R834	117-1031-10	1/10W 10kΩ(1665K)
C819	178-1052-78	1 μF	Q810	103-0601-00	2SD601A (1665K)	R835	032-0092-79	1/10W 5.6kΩ ±1%
C821	042-0548-01	10V100 μF	Q811	125-2005-01	UN2211	R836	032-0092-79	1/10W 5.6kΩ ±1%
C822	176-1011-00	100pF CH	Q812	125-2005-01	UN2211 (1665K)	R837	117-8231-10	1/10W 82kΩ
C823	042-0548-02	10V220 μF	Q813	101-0709-00	2SB709A-Q.R.S	R838	117-8231-10	1/10W 82kΩ
C824	042-0563-17	16V10 μF	R801	117-5621-10	1/10W 5.6kΩ	R839	117-3331-10	1/10W 33kΩ(1665K)
C825	176-1011-00	100pF CH	R802	117-5621-10	1/10W 5.6kΩ	R840	117-1031-10	1/10W 10kΩ(1665K)
C826	176-1011-00	100pF CH	R803	117-5631-10	1/10W 56kΩ	R841	117-3011-10	1/10W 300Ω
C827	176-1011-00	100pF CH	R804	017-5631-10	1/10W 56kΩ	R842	117-3011-10	1/10W 300Ω
C828	183-1063-31	16V10 μF	R805	117-1031-10	1/10W 10kΩ	R843	117-3331-10	1/10W 33kΩ(1665K)
C829	183-1063-31	16V10 μF	R806	117-1031-10	1/10W 10kΩ	R844	117-1031-10	1/10W 10kΩ(1665K)
C830	183-1066-31	16V10 μF NP	R807	117-5631-10	1/10W 56kΩ	R845	117-4731-10	1/10W 47kΩ
C831	183-1066-31	16V10 μF NP	R808	117-1031-10	1/10W 10kΩ	R846	117-3331-10	1/10W 33kΩ(1665K)
C832	176-1011-00	100pF CH (1665K)	R809	117-1021-10	1/10W 1kΩ	R847	117-1031-10	1/10W 10kΩ(1665K)
CCT801	050-0122-59	6.8kΩ × 4 J (1665K)	R810	117-4731-10	1/10W 47kΩ	R848	117-4721-10	1/10W 4.7kΩ
D801	001-0589-00	1SS145	R811	117-2231-10	1/10W 22kΩ	R849	117-2231-10	1/10W 22kΩ(1665K)
D802	001-0589-00	1SS145	R812	117-4731-10	1/10W 47kΩ	R850	117-1021-10	1/10W 1kΩ
D803	001-0421-38	MTZJ36	R813	117-3011-10	1/10W 300Ω			
D804	001-0377-44	MA4082M	R814	117-3011-10	1/10W 300Ω			

Tape mechanism section

Side PWB section(B4)

REF No.	PART No.	DESCRIPTION	REF No.	PART No.	DESCRIPTION	REF No.	PART No.	DESCRIPTION
C1	178-5612-78	560pF	C18	183-4753-51	35V4.7 μF	R10	117-1131-10	1/10W 11kΩ
C2	178-5612-78	560pF	C20	176-2201-50	22pFCH	R11	117-1531-10	1/10W 15kΩ
C3	178-5612-78	560pF	C21	176-2201-50	22pFCH	R12	117-1531-10	1/10W 15kΩ
C4	178-5612-78	560pF	C22	176-2201-50	22pFCH	R13	032-0098-03	1/10W 18kΩ ±2%
C5	172-1231-11	0.012 μF	C23	176-2201-50	22pFCH	R14	117-3331-10	1/10W 33kΩ
C6	172-1231-11	0.012 μF	IC1	051-1777-00	HA12163	R15	117-1831-10	1/10W 18kΩ
C7	172-4731-11	0.047 μF	L1	010-2198-26	0.047 μH	R16	117-1841-10	1/10W 180kΩ
C8	172-4731-11	0.047 μF	L2	010-2198-26	0.047 μH	R17	117-4731-10	1/10W 47kΩ
C9	183-1053-61	50V1 μF	R1	117-2731-10	1/10W 27kΩ	R18	117-1241-10	1/10W 120kΩ
C10	178-5612-78	560pF	R2	117-2731-10	1/10W 27kΩ	R19	117-2231-10	1/10W 22kΩ
C11	178-5612-78	560pF	R3	117-2731-10	1/10W 27kΩ	R20	117-2231-10	1/10W 22kΩ
C12	178-1042-78	0.1 μF	R4	117-2731-10	1/10W 27kΩ	R21	117-2231-10	1/10W 22kΩ
C13	178-1042-78	0.1 μF	R5	117-1811-10	1/10W 180Ω	R22	117-1031-10	1/10W 10kΩ
C14	178-4722-78	4700pF	R6	117-1811-10	1/10W 180Ω	R23	117-2231-10	1/10W 22kΩ
C15	183-2263-31	16V22 μF	R7	117-3341-10	1/10W 330kΩ	VR1	012-4431-06	10kΩ
C16	178-1032-78	0.01 μF	R8	117-3341-10	1/10W 330kΩ	VR2	012-4431-06	10kΩ
C17	183-1043-61	50V0.1 μF	R9	117-1131-10	1/10W 11kΩ			

Rear PWB section(B5)

REF No.	PART No.	DESCRIPTION	REF No.	PART No.	DESCRIPTION
P5	076-0368-10	10P	R24	111-5611-91	1/4WSS 560Ω
P6	074-1104-20	20P	SW3	013-3906-00	SPPB51

Bottom PWB section(B6)

REF No.	PART No.	DESCRIPTION	REF No.	PART No.	DESCRIPTION	REF No.	PART No.	DESCRIPTION
IC2	051-1776-00	NJL5801K	SW1	013-3953-01	SPPB32	SW2	013-3951-32	MODE SWITCH