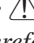
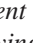
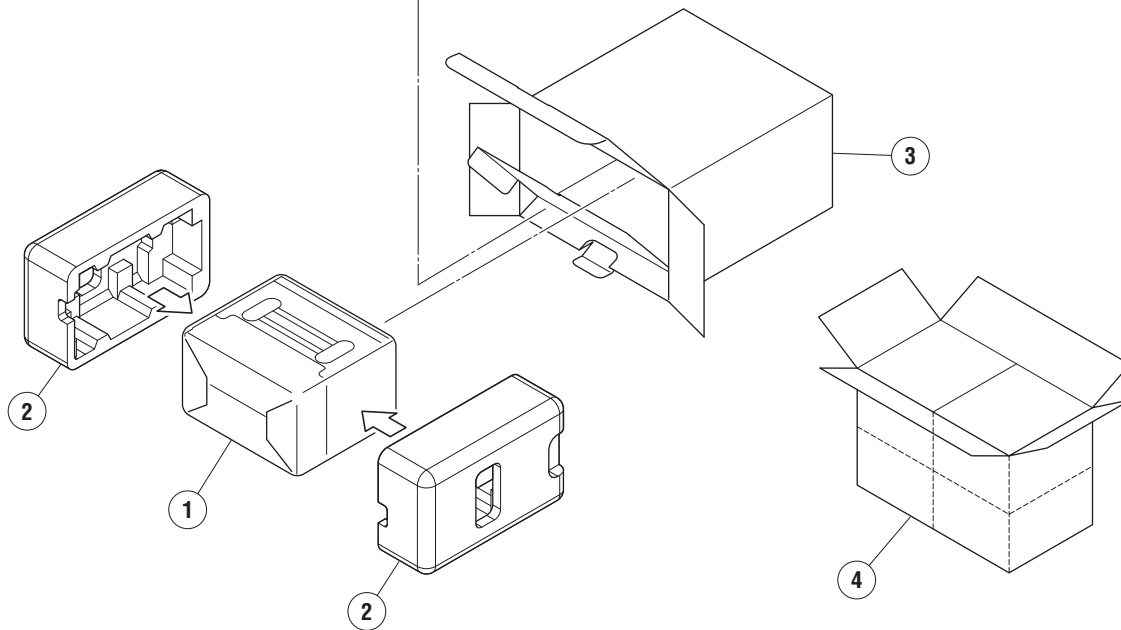
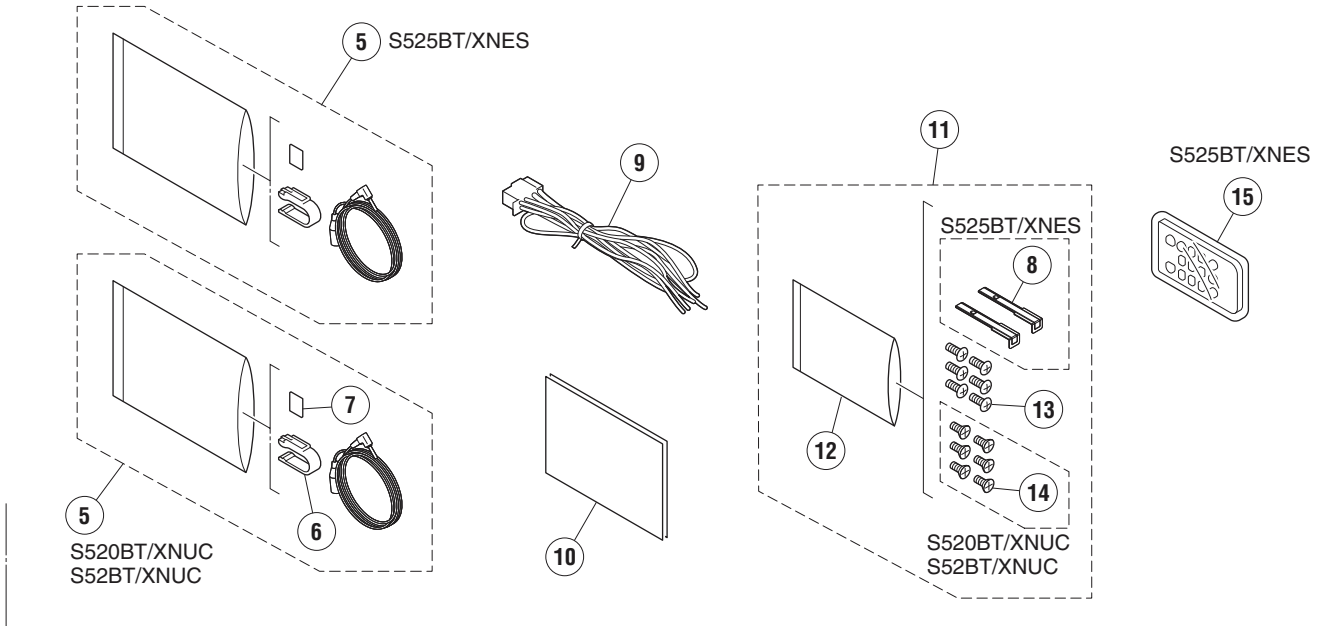


9. EXPLODED VIEWS AND PARTS LIST

- NOTES :
- Parts marked by " * " are generally unavailable because they are not in our Master Spare Parts List.
 - The  mark found on some component parts indicates the importance of the safety factor of the part. Therefore, when replacing, be sure to use parts of identical designation.
 - Screw adjacent to  mark on the product are used for disassembly.
 - For the applying amount of lubricants or glue, follow the instructions in this manual.
(In the case of no amount instructions, apply as you think it appropriate.)

9.1 PACKING SECTION



(1) PACKING SECTION PARTS LIST

Mark	No.	Symbol and Description	FH-S520BT/XNUC	FH-S525BT/XNES	FH-S52BT/XNUC
	1	Cover	CEG1359	CEG1356	CEG1359
	2	Protector	QHP3044	QHP3045	QHP3044
	3	Unit Box	QHG4671	QHG4673	QHG4672
	4	Contain Box	QHL4671	QHL4673	QHL4672
	5	Microphone Assy	CPM1109	CPM1113	CPM1109
	6	Holder	CZN7192	Not used	CZN7192
	7	Cushion	CZN7193	Not used	CZN7193
	8	Handle	Not used	CND6289	Not used
	9	Cord Assy	CDP1480	CDP1480	CDP1480
	10-1	Quick Start Guide	QRD3736	QRD3742	QRD3736
*	10-2	Web IM	See Contents of Web IM (2)	See Contents of Web IM (2)	See Contents of Web IM (2)
*	10-3	Warranty Card	QRY3001	Not used	QRY3001
*	11	Accessory Assy	QEA3335	CED2428(Screw Assy)	QEA3335
*	12	Polyethylene Bag	CEG1160	CEG1160	CEG1160
	13	Screw	CBA2384	CBA2384	CBA2384
	14	Screw	CBA2383	Not used	CBA2383
	15	Card Remote Control Unit	Not used	CXE9605	Not used

Quick Start Guide

Part No.	Language
QRD3736	English, French, Spanish(Espanol)
QRD3742	English, Traditional Chinese, Arabic, Persian, Portuguese(B), Spanish(Espanol)

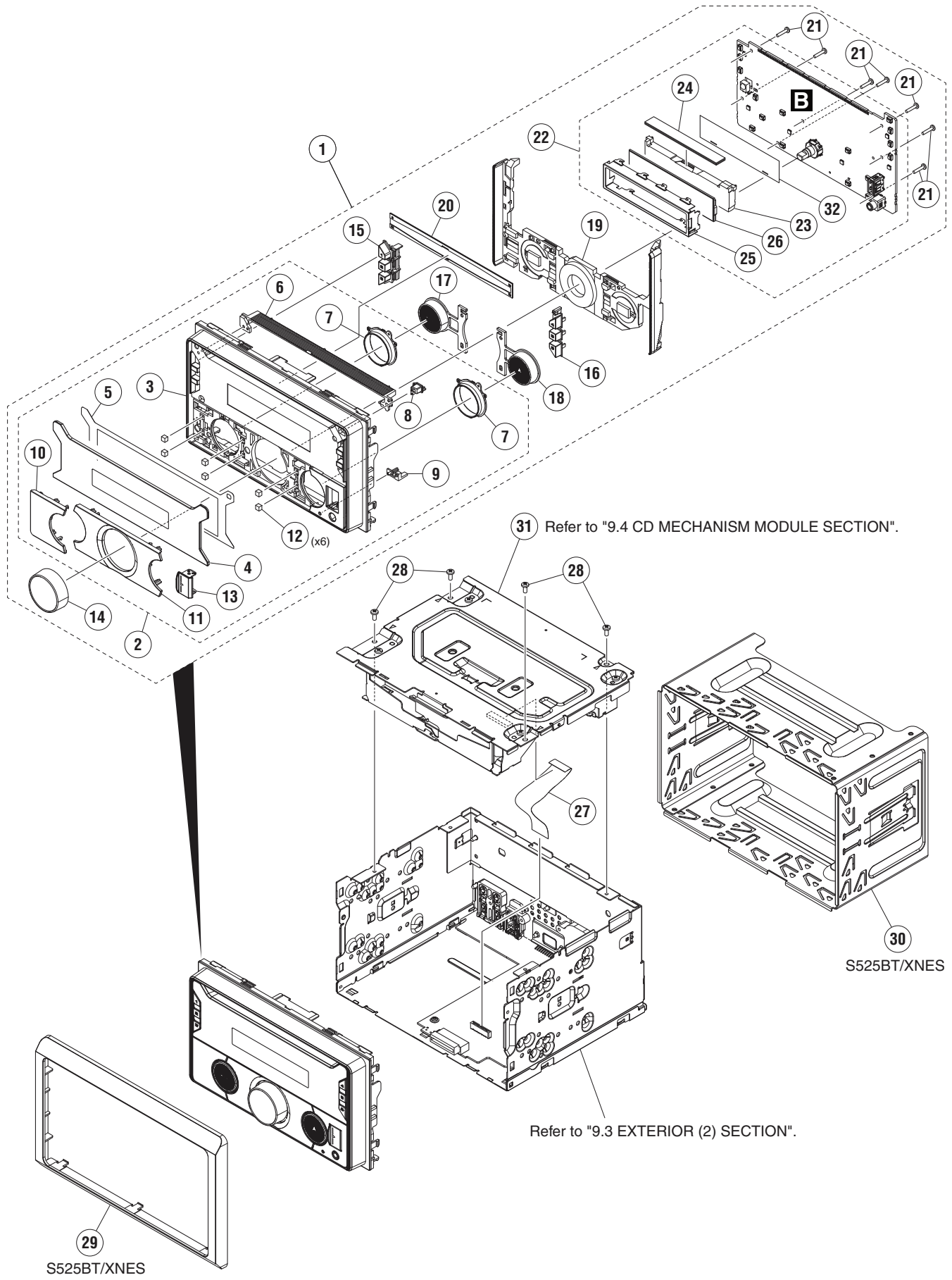
(2) CONTENTS OF WEB IM

Part No.	Language
*OPM_FHS720BSUC_3L_A(for XNUC)	English, French, Spanish(Espanol)
*OPM_FHS725BTES_6L_A(for XNES)	English, Traditional Chinese, Arabic, Persian, Portuguese(B), Spanish(Espanol)

All operation manuals are supplied in PDF files by the WEB. No printed papers are available.

9.2 EXTERIOR (1) SECTION

A
B
C
D
E
F



(1) EXTERIOR (1) SECTION PARTS LIST

<u>Mark No.</u>	<u>Description</u>	<u>Part No.</u>	<u>Mark No.</u>	<u>Description</u>	<u>Part No.</u>		
1	Grille Assy	See Contrast table (2)	18	Button(NAVI)	QAC3335		
2	Grille Unit	See Contrast table (2)	19	Lighting Conductor	QNV3164		
*	3	Grille	QNS4445	20	Cover	QNM3151	
*	4	Plate	QNS4447				
*	5	DS Tape	QNM3275	21	Screw	BPZ20P100FTC	
			22	Keyboard Unit	QWM5374		
*	6	Lighting Conductor	QNV3165	23	Lighting Conductor	QNV3147	
*	7	Holder	QNV3163	24	Rubber Connector	QNV3148	
*	8	Button(EJECT)	QAC3329	25	Holder	QNC3161	
*	9	Button(RESET)	QAC3336				
*	10	Button(SRC/DISP)	See Contrast table (2)	26	Segment LCD (V1801)	CAW2065	
			27	Cable	QDE3029		
	11	Button(TRACK,BACK,PHONE)	QAC3331	28	Screw	BSZ26P060FTC	
*	12	Cushion	QNM3277	29	Panel	See Contrast table (2)	
	13	Door	QAT3039	30	Holder	See Contrast table (2)	
	14	Knob Unit	QXA6129				
	15	Button(1-3)	QAC3332	31	CD Mechanism Module (11.6STD-FH2)	CXK5861	
				*	31	CD Mechanism Module(S11.6STD-FH)	CXK5806
	16	Button(4-6)	QAC3333	32	Sheet	QNM3159	
	17	Button(BASS)	QAC3334				

Notes: For No.31, please refer to "1.4 NOTES ON REPLACING PARTS" for part distinguish.

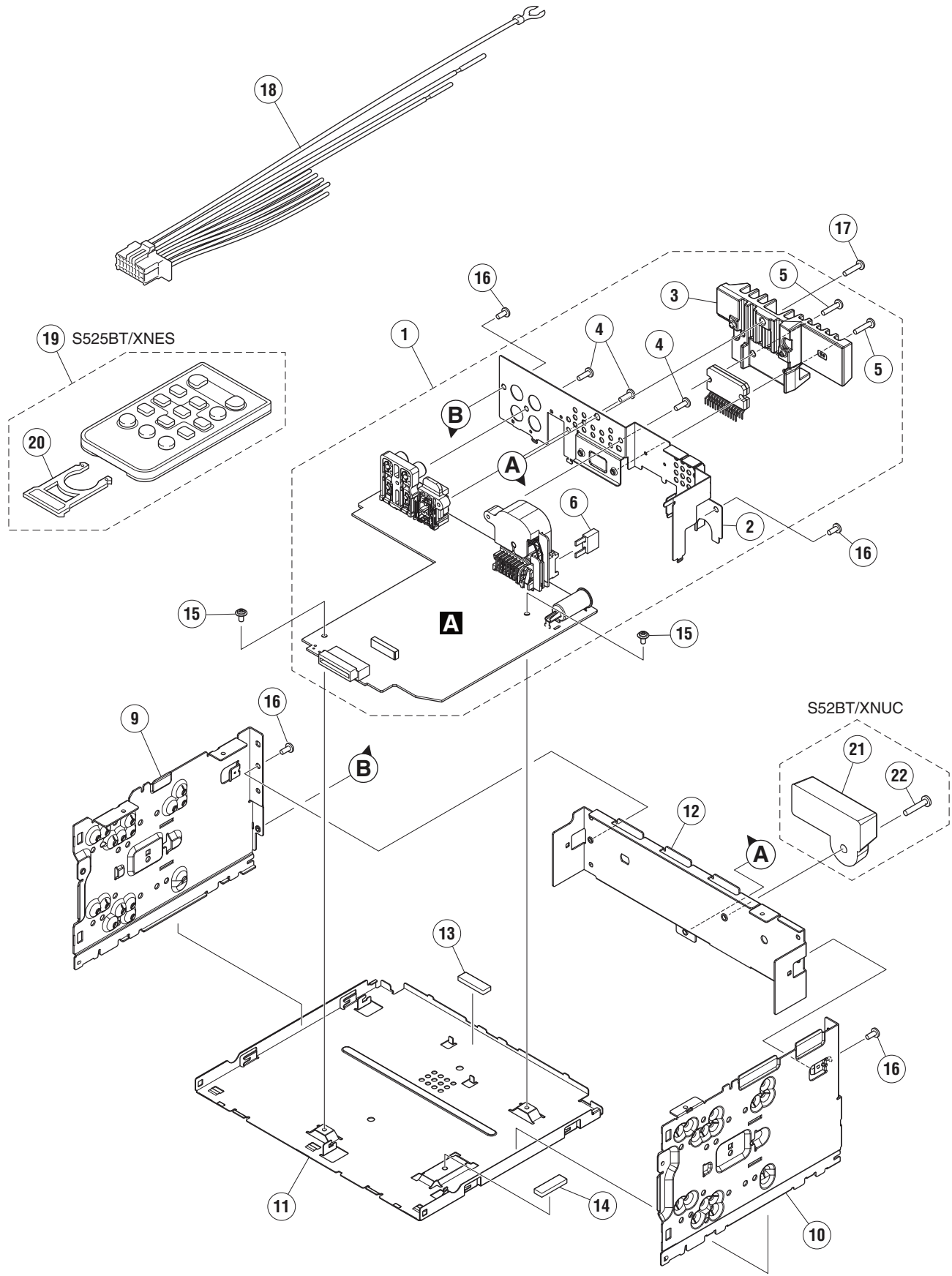
(2) CONTRAST TABLE

FH-S520BT/XNUC, FH-S525BT/XNES and FH-S52BT/XNUC are constructed the same except for the following:

Mark	No.	Symbol and Description	FH-S520BT/XNUC	FH-S525BT/XNES	FH-S52BT/XNUC
	1	Grille Assy	QXA6355	QXA6357	QXA6356
	2	Grille Unit	QXA6115	QXA6117	QXA6116
*	10	Button(SRC/DISP)	QAC3330	QAC3339	QAC3330
	29	Panel	Not used	QNS4449	Not used
	30	Holder	Not used	CND7102	Not used

9.3 EXTERIOR (2) SECTION

A
B
C
D
E
F



(1) EXTERIOR (2) SECTION PARTS LIST

<u>Mark No.</u>	<u>Description</u>	<u>Part No.</u>	<u>Mark No.</u>	<u>Description</u>	<u>Part No.</u>
1	Tuner Amp Unit	See Contrast table (2)	13	Heat Conductor Sheet	QNM3130
2	Holder	QNC3165	14	Heat Conductor Sheet	QNM3223
3	Heat Sink	See Contrast table (2)	15	Screw	ASZ26P050FTC
4	Screw	BPZ26P080FTC	16	Screw	BSZ26P060FTC
5	Screw	BSZ26P120FTC	17	Screw	BSZ26P120FTC
⚠ 6	Fuse (10 A)	CEK1415	18	Cord Assy	CDP1480
7	•••••		19	Card Remote Control Unit	See Contrast table (2)
8	•••••		20	Cover	See Contrast table (2)
9	Bracket	QNC3093	21	Holder	See Contrast table (2)
10	Bracket	QNC3094	22	Screw	See Contrast table (2)
11	Case	QNB3055			
12	Holder	QNC3057			

(2) CONTRAST TABLE

FH-S520BT/XNUC, FH-S525BT/XNES and FH-S52BT/XNUC are constructed the same except for the following:

Mark	No.	Symbol and Description	FH-S520BT/XNUC	FH-S525BT/XNES	FH-S52BT/XNUC
	1	Tuner Amp Unit	QWM5326	QWM5328	QWM5327
	3	Heat Sink	QNR3010	QNR3002	QNR3010
	19	Card Remote Control Unit	Not used	CXE9605	Not used
	20	Cover	Not used	CNU3681	Not used
	21	Holder	Not used	Not used	CNV7619
	22	Screw	Not used	Not used	BSZ30P160FTC

9.4 CD MECHANISM MODULE

A

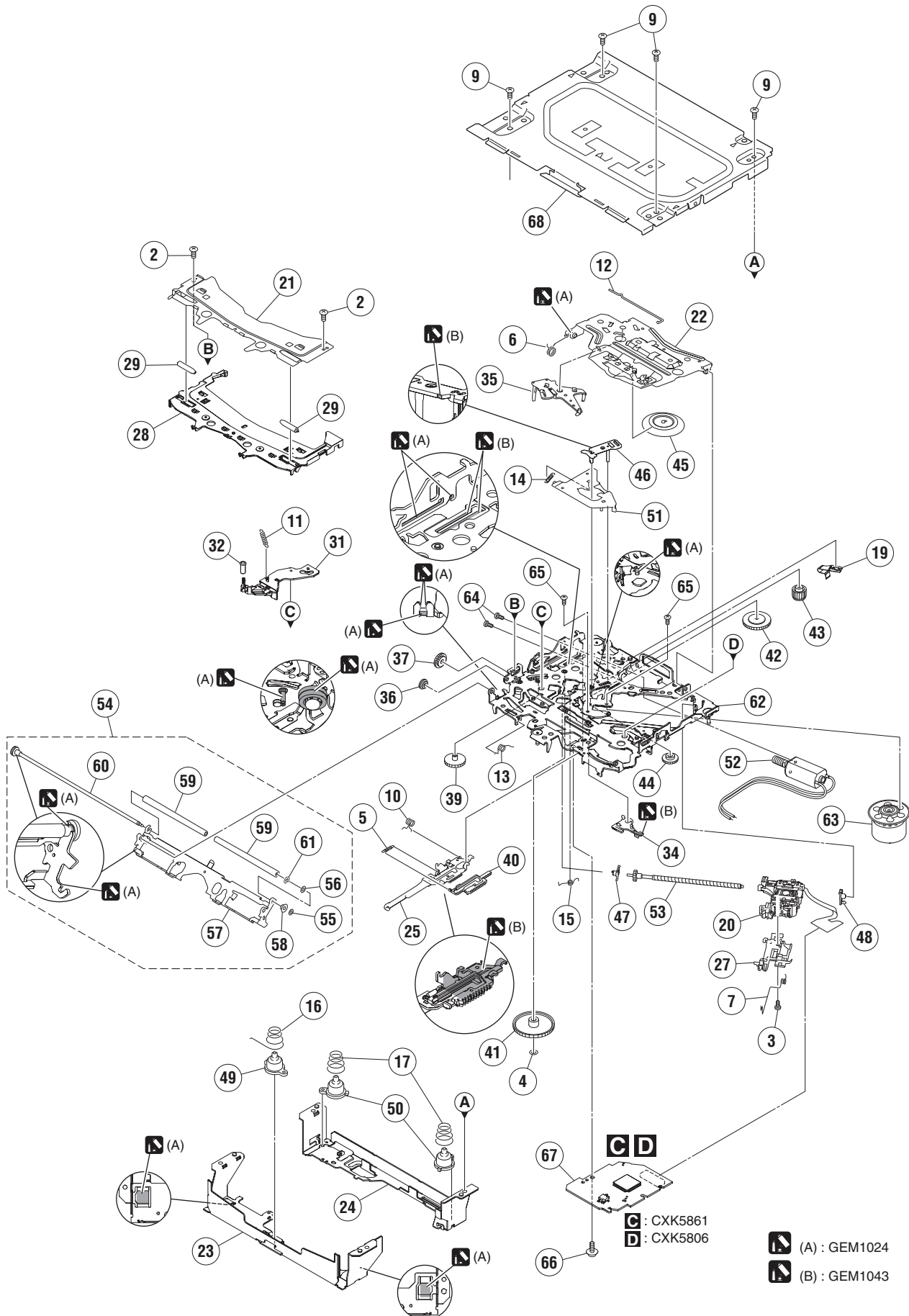
B

C

D

E

F



CD MECHANISM MODULE SECTION PARTS LIST

<u>Mark No.</u>	<u>Description</u>	<u>Part No.</u>	<u>Mark No.</u>	<u>Description</u>	<u>Part No.</u>	
1		46	Arm	CNW1192	
2	Screw	BSZ20P040FTC	47	Holder	CNW1193	A
3	Screw (M2 x 4)	CBA1835	48	Holder	CNW1194	
4	Washer	CBF1038	49	Damper	CNW1197	
5	Spring	CBH3010	50	Damper	CNW1198	
6	Spring	CBH2855	51	Arm	CNW1726	
7	Spring	CBH2856	52	Motor Unit(M2)(LOAD/CRG)	CXF1847	
8		53	Screw Unit	CXC8894	
9	Screw	BSZ26P060FTC	54	Arm Assy	CXE8953	
10	Spring	CBH3011	55	Washer	CBF1037	
11	Coil Spring	CBH3095	56	Washer	CBF1038	B
12	Spring	CBH3014	57	Arm	CND6242	
13	Spring	CBH3015	58	Collar	CNW2444	
14	Spring	CBH3016	59	Roller	CNW2500	
15	Spring	CBH3017	60	Gear Unit	CXE8952	
16	Spring	CBH3086	61	E Ring	YE15FTC	
17	Spring	CBH3019	62	Chassis Unit	CXE9531	
18		63	Motor Unit(M1)(SPDL)	CXF1850	
19	Leaf Spring	CBL1824	64	Screw	JFZ20P025FTC	
20	Pickup Unit(P11)(Service) for CXK5861 CXX4754 Pickup Unit(P10.6)(Service) for CXK5806 CXY3639		65	Screw	JGZ17P022FTC	C
21	Bracket	CND4553	66	Screw	EBA1028	
22	Arm	CND7608	67	CD Core Unit(S11.6VA) for CXK5861 CWX4269 CD Core Unit(S11.6STD) for CXK5806 CWX4023		
23	Bracket	CND6127	68	Case	CNB3762	
24	Bracket	CND5710				
25	Lever	CND6834				
26					
27	Rack	CNV8342				
28	Guide	CNW3489				D
29	Roller	CNW1172				
30					
31	Arm	CNW2241				
32	Roller	CNW1175				
33					
34	Arm	CNW1177				
35	Arm	CNW1178				
36	Gear	CNW1180				
37	Gear	CNW1181				E
38					
39	Gear	CNW1183				
40	Rack	CNW1184				
41	Gear	CNW1185				
42	Gear	CNW1186				
43	Gear	CNW1187				
44	Gear	CNW2287				
45	Clamper	CNW1190				F

12. ELECTRICAL PARTS LIST

NOTE:

- Parts whose parts numbers are omitted are subject to being not supplied.
- The part numbers shown below indicate chip components.

Chip Resistor

RS1/○S○○○○J,RS1/○○S○○○○J

Chip Capacitor (except for CQS.....)

CKS....., CCS....., CSZS.....

- Parts marked by " * " are generally unavailable because they are not in our Master Spare Parts List.
- The ⚠ mark found on some component parts indicates the importance of the safety factor of the part. Therefore, when replacing, be sure to use parts of identical designation.
- The expression of the unit in this manual is shown by u instead of μ . Please do not make a mistake.

<u>Circuit Symbol and No.</u>	<u>Part No.</u>	<u>Circuit Symbol and No.</u>	<u>Part No.</u>
A:FH-S520BT/XNUC		Q 201	Resistor Built-in Transistor LTC014TEB
B:FH-S525BT/XNES		Q 202	FET SSM3J332R
C:FH-S52BT/XNUC		Q 203	Power MOS FET RRR040P03
		Q 204	Resistor Built-in Transistor LTC014TEB
		Q 205	FET SSM3J332R
		Q 441	Transistor 2SAR502UB
Unit Number: QWM5326(A)		Q 442	Resistor Built-in Transistor LTC023YEB
Unit Number: QWM5327(C)		Q 701	Resistor Built-in Transistor LTA023YEB
Unit Name : Tuner Amp Unit		Q 1101	Resistor Built-in Transistor LTC014EEB
Unit Number: QWM5328(B)		Q 1242	Transistor IMH23
Unit Name : Tuner Amp Unit		Q 1243	Transistor IMH23
Unit Number: QWM5374		Q 1301	Transistor EMD52
Unit Name : Keyboard Unit		Q 1302	Resistor Built-in Transistor LTA023YEB
Unit Number: CWX4269		D 101	Diode D1F60-5053
Unit Name : CD Core Unit(S11.6VA)		D 102	Diode D1F60-5053
Unit Number: CWX4023		D 111	Zener Diode UDZV6R8(B)
Unit Name : CD Core Unit(S11.6STD)		D 141	Zener Diode UDZV7R5(B)
		D 201	Schottky Diode RB162MM-40TF
		D 202	Rectifier Diode RR1VWM4STF
		D 203	Schottky Diode RB056LAM-40TF
		D 204	Rectifier Diode RR1VWM4STF
		D 206	Schottky Diode CMS30I30A
		D 207	Schottky Diode RB751SM-40
		D 208	Schottky Diode RB751SM-40
		D 210	Schottky Diode RB162MM-40TF
		D 501	Schottky Diode RB751SM-40
		D 502	Schottky Diode RB751SM-40
		D 1001	Zener Diode SZESD7351HG
		D 1101	Zener Diode UDZV18(B)
		D 1201	Zener Diode RSB6R8SM
		D 1204	Zener Diode UDZV18(B)
		D 1205	Zener Diode UDZV18(B)
		D 1206	Zener Diode RSB6R8SM
		D 1207	Zener Diode RSB6R8SM
		D 1208	Zener Diode RSB6R8SM
		D 1209	Zener Diode RSB6R8SM
		D 1210	Zener Diode RSB6R8SM
		D 1303	Schottky Diode RB751SM-40
		L 101	Choke Coil 120 uH CTH1620
		L 201	SMD SPL Inductor CTH1521
		L 202	SMD SPL Inductor CTH1584
		L 203	Chip Beads VTL1133
MISCELLANEOUS			
IC 201	Power supply IC	BD49101ARFS	
IC 501	Microprocessor IC	STA1080	
IC 502	IC	S-80827CNMC-B8M	
IC 701	IC	337S3959	
IC 711	RAM IC	W9812G6KH-5	
IC 731	ROM IC	M95512-RMN6P	
IC 741	Flash ROM Unit	QVQ1105	
IC 742	Flash Memory IC	W25Q16JVSSIQ	
IC 761	E-VOL System LSI	BD37067FV	
IC 851	Tuner IC	TEF6686AHN	
IC 1301	Power Amp IC	TCB501HQ	
Q 111	Resistor Built-in Transistor	LTC014TEB	
Q 141	Resistor Built-in Transistor	LTC014TEB	
Q 142	Resistor Built-in Transistor	LTC014TEB	

Circuit Symbol and No.**Part No.****Circuit Symbol and No.****Part No.**

A	L 441	Inductor	CTF1736	R 209		XRS1/10SR472J
	L 501	Chip Beads	VTL1133	R 210		XRS1/16SS103J
	L 502	Inductor	CTF1645	R 211		XRS1/10SR472J
	L 504	Chip Beads	VTL1133			
				R 212		XRS1/16SS103J
	L 505	Chip Beads	VTL1133	R 213		XRS1/16SS132J
	L 511	Chip Beads	VTL1133	R 214		XRS1/16SS102J
	L 513	Chip Beads	VTL1133	R 215		XRS1/16SS2403D
	L 514	Chip Beads	VTL1126	R 216		XRS1/16SS7502D
	L 517	Chip Beads	VTL1133			
				R 217		XRS1/16SS4303D
	L 518	Chip Beads	VTL1133	R 218		XRS1/16SS4303D
	L 519	Chip Beads	VTL1133	R 219		XRS1/16SS273J
	L 520	Chip Beads	VTL1133	R 220		XRS1/16SS474J
	L 711	Chip Beads	VTL1133	R 221		XRS1/16SS473J
B	L 854	Inductor	LCMAR27J1608			
				R 222		XRS1/16SS6802D
	L 855	Inductor	CTF1786	R 223	30 mohm	CCN1401
	L 856	Inductor	CTF1787	R 224		XRS1/16SS6802D
	L 860	Inductor	LCYC150K1608	R 225		XRS1/16SS102J
	L 863	Inductor	LCMAR22J1608	R 226		XRS1/16SS1203D
	L 1001	Chip Ferrite Bead	DTL1107			
				R 227		XRS1/16SS1802D
	L 1101	Inductor	CTF1787	R 229		RS1/16SS393J
	L 1102	Chip Beads	VTL1133	R 230		XRS1/16SS682J
	L 1103	Chip Beads	VTL1133	R 231		XRS1/16SS4703D
	L 1104	Chip Beads	VTL1133	R 232		XRS1/16SS1503D
	L 1201	Noise Filter	CTF1901			
				R 233		XRS1/16SS1003D
C	X 501	Resonator 24 MHz	CSS1773	R 234		XRS1/16SS7503D
	X 502	Resonator 32.768 kHz	CSS1807	R 235		XRS1/16SS1603D
	X 851	Crystal Resonator 55.466 67 MHz	CSS1898	R 236		XRS1/16SS103J
	P 852	Surge Absorber	IMSA-6803-01Y900	R 238		XRS1/16SS822J
	P 1243	Poly Switch	FSMD075-24R			
				R 239		XRS1/16SS101J
	P 1276	Poly Switch	FSMD075-24R	R 240		XRS1/16SS101J
	VA1101	SMD Varistor	MLV0402ES012V0010N	R 241		XRS1/16SS680J
	VA1201	SMD Varistor	MLV0402ES012V0010N	R 242		RS1/16SS4701F
	VA1202	SMD Varistor	MLV0402ES012V0010N	R 243		XRS1/16SS393J
	U 1001	BT Module	CWX4751			
				R 244		XRS1/16SS103J
D	CN1101	Connector	VKN1192	R 246		XRS1/10SR0R0J
	CN1201	Connector	CKS6452	R 248		XRS1/16SS473J
	JA101	Plug	CKM1624	R 250		XRS1/10SR471J
	JA851	Antenna Jack	CKX1104	R 263		XRS1/10SR103J
	JA1241	Jack	CKB1109			
				R 269		XRS1/16SS101J
	JA1276	Jack	CKN1103	R 301		XRS1/10SR0R0J
				R 441		XRS1/16SS103J
				R 442		XRS1/10SR221J
				R 503		XRS1/16SS3R3J

RESISTORS

	R 111		XRS1/16SS223J			
	R 112		XRS1/16SS473J	R 504		XRS1/16SS3R3J
	R 113		XRS1/16SS822J	R 505		XRS1/16SS221J
E	R 114		RS1/4SA102J	R 506		XRS1/16SS473J
	R 141		XRS1/16SS104J	R 507		XRS1/16SS473J
				R 508		XRS1/16SS473J
	R 142		XRS1/16SS473J			
	R 143		XRS1/16SS103J	R 509		XRS1/16SS473J
	R 144		XRS1/16SS472J	R 510		XRS1/16SS473J
	R 145		XRS1/16SS0R0J	R 511		XRS1/16SS473J
	R 165		XRS1/10SR0R0J	R 512		XRS1/16SS102J
				R 513		XRS1/16SS222J
	R 201		XRS1/16SS102J			
	R 202		XRS1/16SS3303D	R 515		XRS1/16SS103J
	R 203		XRS1/10SR0R0J	R 517		XRS1/16SS103J
	R 204		XRS1/10SR0R0J	R 518		XRS1/16SS472J
F	R 206		XRS1/16SS472J	R 519		XRS1/16SS151J
				R 521		XRS1/16SS473J
	R 207		XRS1/16SS103J			
	R 208		XRS1/16SS473J	R 522		XRS1/16SS0R0J

<u>Circuit Symbol and No.</u>	<u>Part No.</u>	<u>Circuit Symbol and No.</u>	<u>Part No.</u>
R 524	XRS1/16SS3001D	R 605	XRS1/16SS101J
R 525	XRS1/16SS103J	R 610	XRS1/16SS222J
R 526	XRS1/16SS1213F	R 611	XRS1/16SS472J
R 531	XRS1/16SS222J	R 612	XRS1/16SS473J
		R 614	XRS1/16SS473J
R 532	XRS1/16SS222J		
R 533	XRS1/10SR103J	R 615	XRS1/16SS103J
R 534	XRS1/10SR103J	R 617	XRS1/16SS473J
R 537	XRS1/16SS473J	R 627	XRS1/16SS153J
R 538 (A)	XRS1/16SS472J	R 628	XRS1/16SS153J
		R 629	XRS1/16SS472J
R 539 (C)	XRS1/16SS473J		
R 540	XRS1/16SS103J	R 630	XRS1/16SS101J
R 541	XRS1/16SS103J	R 631	XRS1/16SS0R0J
R 544	XRS1/16SS102J	R 632	XRS1/16SS101J
R 546	XRS1/16SS273J	R 633	XRS1/16SS101J
		R 634	XRS1/16SS101J
R 547	XRS1/16SS473J		
R 548	XRS1/16SS102J	R 635	XRS1/16SS101J
R 550	XRS1/16SS103J	R 636	XRS1/16SS101J
R 551	XRS1/16SS103J	R 637	XRS1/16SS221J
R 552	XRS1/16SS102J	R 638	XRS1/16SS221J
		R 639	XRS1/16SS101J
R 554	XRS1/16SS222J		
R 555	XRS1/16SS135J	R 640	XRS1/16SS101J
R 556	XRS1/16SS101J	R 642	XRS1/16SS221J
R 557	XRS1/16SS101J	R 643	XRS1/16SS101J
R 558	XRS1/16SS222J	R 644	XRS1/16SS473J
		R 645	XRS1/16SS101J
R 559	XRS1/16SS222J		
R 561	XRS1/16SS103J	R 646	XRS1/16SS101J
R 562	XRS1/16SS472J	R 647	XRS1/16SS102J
R 563	XRS1/16SS472J	R 648	XRS1/16SS102J
R 564	XRS1/16SS472J	R 650	XRS1/16SS101J
		R 652	XRS1/16SS101J
R 566	RAB4CQ103J		
R 567	XRS1/16SS472J	R 653	XRS1/16SS0R0J
R 568	XRS1/16SS0R0J	R 657	XRS1/16SS101J
R 570	XRS1/16SS221J	R 658	XRS1/16SS101J
R 571	XRS1/16SS221J	R 659	XRS1/16SS101J
		R 660	XRS1/16SS101J
R 572	XRS1/16SS472J		
R 573	XRS1/16SS473J	R 661	XRS1/16SS101J
R 574	XRS1/16SS473J	R 663	XRS1/16SS101J
R 575	XRS1/16SS473J	R 664	XRS1/16SS101J
R 577	XRS1/16SS182J	R 672	XRS1/16SS101J
		R 690	XRS1/16SS472J
R 578	XRS1/16SS473J		
R 579	XRS1/16SS473J	R 701	XRS1/16SS103J
R 580	XRS1/16SS473J	R 702	XRS1/16SS152J
R 581	XRS1/16SS0R0J	R 703	XRS1/16SS101J
R 583	XRS1/16SS0R0J	R 704	XRS1/16SS101J
		R 705	XRS1/16SS222J
R 584	XRS1/16SS102J		
R 585	XRS1/16SS0R0J	R 706	XRS1/16SS222J
R 586	XRS1/16SS103J	R 707	XRS1/16SS472J
R 587	XRS1/16SS102J	R 708	XRS1/16SS272J
R 588	XRS1/16SS221J	R 709	XRS1/16SS473J
		R 710	XRS1/16SS0R0J
R 589	XRS1/16SS0R0J		
R 590	XRS1/16SS221J	R 714	RAB4CQ121J
R 591	XRS1/16SS221J	R 715	RAB4CQ121J
R 593	XRS1/16SS0R0J	R 716	RAB4CQ121J
R 594	XRS1/16SS0R0J	R 717	RAB4CQ121J
		R 718	RAB4CQ121J
R 596	XRS1/16SS0R0J		
R 597	XRS1/16SS102J	R 719	RAB4CQ121J
R 599	XRS1/16SS102J	R 720	RAB4CQ121J
R 603	XRS1/16SS101J	R 721	RAB4CQ121J
R 604	XRS1/16SS101J	R 722	RAB4CQ121J
		R 723	XRS1/10SR0R0J

Circuit Symbol and No.Part No.Circuit Symbol and No.Part No.

			R 1109	XRS1/16SS101J
A	R 724	XRS1/16SS121J		
	R 731	XRS1/16SS330J	R 1110	XRS1/16SS102J
	R 732	XRS1/16SS330J	R 1112	XRS1/16SS221J
	R 733	XRS1/16SS103J	R 1114	XRS1/16SS473J
	R 734	XRS1/16SS103J	R 1115	XRS1/16SS472J
			R 1116	XRS1/16SS472J
	R 735	XRS1/16SS103J		
	R 736	XRS1/16SS330J	R 1117	XRS1/16SS472J
	R 737	XRS1/16SS330J	R 1119	XRS1/16SS473J
	R 741	XRS1/16SS330J	R 1120	XRS1/16SS151J
	R 742	XRS1/16SS103J	R 1121	XRS1/16SS151J
			R 1122	XRS1/16SS151J
	R 743	XRS1/16SS103J		
	R 744	XRS1/16SS330J	R 1203	XRS1/16SS223J
B	R 745	XRS1/16SS330J	R 1204	XRS1/16SS223J
	R 746	XRS1/16SS103J	R 1205	XRS1/10SR222J
	R 747	XRS1/16SS330J	R 1206	XRS1/10SR221J
			R 1207	XRS1/10SR221J
	R 748	XRS1/16SS330J		
	R 749	XRS1/16SS330J	R 1208	XRS1/10SR0R0J
	R 750	XRS1/16SS103J	R 1209	XRS1/10SR222J
	R 751	XRS1/16SS103J	R 1210	XRS1/10SR222J
	R 753	XRS1/16SS103J	R 1211	XRS1/10SR222J
			R 1212	XRS1/10SR222J
	R 754	XRS1/16SS330J		
	R 755	XRS1/16SS0R0J	R 1213	XRS1/16SS123J
	R 756	XRS1/16SS0R0J	R 1214	XRS1/10SR222J
C	R 757	XRS1/16SS0R0J	R 1215	XRS1/10SR101J
	R 761	XRS1/10SR221J	R 1217	XRS1/16SS101J
			R 1220	XRS1/16SS0R0J
	R 763	XRS1/16SS101J		
	R 764	XRS1/16SS101J	R 1221	XRS1/16SS0R0J
	R 766	XRS1/16SS0R0J	R 1222	XRS1/16SS0R0J
	R 767	XRS1/16SS104J	R 1223	XRS1/16SS0R0J
	R 768	XRS1/16SS181J	R 1243	XRS1/16SS821J
			R 1244	XRS1/16SS821J
	R 851	XRS1/16SS105J		
	R 852	XRS1/16SS105J	R 1245	XRS1/16SS821J
	R 853	XRS1/16SS391J	R 1246	XRS1/16SS821J
	R 863	XRS1/16SS103J	R 1247	XRS1/16SS223J
D	R 868	XRS1/16SS103J	R 1248	XRS1/16SS223J
			R 1249	XRS1/16SS223J
	R 870	XRS1/16SS101J		
	R 871	XRS1/16SS0R0J	R 1250	XRS1/16SS223J
	R 872	XRS1/16SS0R0J	R 1254	XRS1/16SS0R0J
	R 873	XRS1/16SS182J	R 1256	XRS1/16SS0R0J
	R 874	XRS1/16SS101J	R 1278	XRS1/16SS102J
			R 1280	XRS1/16SS102J
	R 875	XRS1/16SS472J		
	R 890	XRS1/16SS0R0J	R 1281	XRS1/16SS101J
	R 1001	XRS1/16SS0R0J	R 1282	XRS1/16SS101J
	R 1002	XRS1/16SS221J	R 1301	XRS1/16SS123J
	R 1004	XRS1/16SS473J	R 1302	XRS1/16SS103J
E			R 1303	XRS1/16SS221J
	R 1005	XRS1/16SS221J		
	R 1006	XRS1/16SS0R0J	R 1305	RS1/16SS0R0J
	R 1007	XRS1/16SS0R0J	R 1306	XRS1/16SS103J
	R 1011	XRS1/16SS221J	R 1307	XRS1/16SS0R0J
	R 1012	XRS1/16SS221J	R 1308	RS1/8SQ0R0J
			R 1312	XRS1/16SS272J
	R 1013	XRS1/16SS0R0J		
	R 1017	XRS1/16SS473J	R 1313	XRS1/16SS102J
	R 1018	XRS1/16SS473J	R 1316	XRS1/10SR0R0J
	R 1101	XRS1/16SS104J	R 1321	XRS1/16SS0R0J
	R 1104	XRS1/16SS472J	R 1322	XRS1/16SS0R0J
			R 1323	XRS1/16SS0R0J
F	R 1105	XRS1/16SS221J		
	R 1106	XRS1/16SS221J	R 1324	XRS1/16SS0R0J
	R 1107	XRS1/16SS101J	R 1416	XRS1/10SR0R0J
	R 1108	XRS1/16SS221J	R 1421	XRS1/16SS0R0J

<u>Circuit Symbol and No.</u>	<u>Part No.</u>	<u>Circuit Symbol and No.</u>	<u>Part No.</u>
R 1422	XRS1/16SS0R0J	C 252	CKSRyx475K6R3
R 1431	XRS1/10SR0R0J	C 253	CKSRyx105K50
		C 255	CKSSYX105K6R3
		C 257	CKSYX106K35
		C 259	CKSQYX106K10
CAPACITORS			
C 101	2 200 uF/16V	C 260	CKSQYX106K10
C 102		C 261	CKSSYB104K10
C 103		C 270	CKSRyx475K6R3
C 104		C 441	CCSSCH101J50
C 105		C 442	CKSRyx106M6R3
C 106			
C 107		C 443	CCSSCH101J50
C 108		C 444	CKSRyx106M6R3
C 109		C 502	CKSSYB104K10
C 110		C 503	CKSRyx475K6R3
		C 505	CKSSYB104K10
C 111			
C 201		C 506	CKSRyx475K6R3
C 202		C 507	CKSRyx475K6R3
C 203		C 508	CKSSYB104K10
C 204		C 509	CKSRyx475K6R3
		C 510	CKSSYB104K10
C 205			
C 206		C 511	CKSRyx475K6R3
C 207		C 512	CKSSYB104K10
C 208		C 513	CKSRyx475K6R3
C 209		C 514	CKSSYB104K10
		C 515	CKSSYX105K10
C 210	2 200 uF/16V		
C 211		C 516	CKSRyx225K16
C 212		C 517	CKSSYB104K10
C 213		C 518	CCSSCH100D50
C 214		C 519	CCSSCH100D50
		C 520	CKSRyx475K6R3
C 215			
C 216		C 521	CKSSYB104K10
C 218		C 522	CKSRyx475K6R3
C 220		C 523	CKSRyx475K6R3
C 221		C 524	CKSRyx475K6R3
		C 525	CKSRyx106M6R3
C 222			
C 223		C 526	CKSSYB103K16
C 224		C 527	CKSRyx106M6R3
C 225		C 528	CKSSYB103K16
C 227		C 529	CKSSYB104K10
		C 530	CKSRyx475K6R3
C 228			
C 230		C 531	CKSSYX105K10
C 231		C 532	CKSSYX105K10
C 232		C 533	CKSRyx475K6R3
C 234		C 534	CKSSYB104K10
		C 535	CEVW221M10
C 236			
C 237		C 536	CCSSCH101J50
C 238		C 537	CKSSYB103K16
C 239		C 538	CKSRyx106M6R3
C 240		C 539	CKSSYB103K16
		C 540	CKSRyx106M6R3
C 241			
C 242		C 541	CKSSYB222K50
C 243		C 542	CKSSYB104K10
C 244		C 543	CKSSYX105K10
C 245		C 544	CKSSYB473K16
		C 545	CCSSCH100D50
C 247			
C 248		C 546	CCSSCH120J50
C 249		C 551	CKSSYB104K10
C 250		C 552	CKSRyx475K6R3
C 251		C 553	CKSRyx106M6R3
		C 555	CKSSYB103K16

Circuit Symbol and No.Part No.Circuit Symbol and No.Part No.

	C 556	CKSSYB104K10	C 857	CKSSYX104K50
A	C 559	CKSQYB224K50	C 858	CCSSCH5R0C50
	C 560	CKSSYB103K16	C 859	CCSSCH120J50
	C 565	CCSSCH270J50	C 865	CKSRYX225K10
	C 566	CCSSCH330J50	C 866	CKSSYB224K6R3
			C 867	CKSSYB102K50
	C 575	CKSSYB104K10		
	C 576	CKSSYB102K50	C 870	CKSSYB102K50
	C 580	CKSRYX104K50	C 872	CKSSYB104K10
	C 588	CKSSYB104K10	C 874	CCSSCH180J50
	C 590	CKSSYB472K25	C 875	CKSSYB104K10
			C 878	CKSSYB152K50
	C 591	CKSSYB472K25		
	C 592	CKSSYB472K25	C 882	CKSSYX105K10
B	C 593	CKSSYB472K25	C 884	CKSSYB104K16
	C 595	CKSSYB472K25	C 885	CKSRYB103K50
	C 701	CKSSYB104K10	C 890	CKSRYX106M6R3
			C 891	CKSRYX225K10
	C 702	CKSSYB104K10		
	C 712	CKSSYX105K10	C 1003	CKSSYB104K16
	C 713	CKSSYB104K10	C 1004	CKSSYB104K16
	C 714	CKSSYX105K10	C 1101	CKSSYB103K16
	C 715	CKSSYX105K10	C 1105	CKSSYX105K10
			C 1106	CKSSYX105K10
	C 716	CKSSYX105K10		
	C 717	CKSRYX475K6R3	C 1109	CKSSYB102K50
	C 718	CKSSYX105K10	C 1201	CCG1345
C	C 719	CKSSYB104K10	C 1202	CKSSYX104K50
	C 721	CKSSYX105K16	C 1203	CKSRYX104K50
			C 1204	CKSRYX105K16
	C 722	CKSSYB104K10		
	C 723	CKSSYB102K50	C 1205	CCSRCH221J50
	C 729	CKSQYX106K10	C 1206	CCSRCH221J50
	C 731	CKSSYB104K10	C 1210	CKSRYX105K16
	C 741	CKSRYX225K10	C 1212	CCSSCH470J50
			C 1217	CCSSCH121J50
	C 742	CKSSYB104K10		
	C 743	CKSSYB104K10	C 1221	CKSYX106K35
	C 761	CKSRYX105K16	C 1243	CKSQYX106K10
	C 762	CKSRYX105K16	C 1244	CKSQYX106K10
D	C 763	CKSRYX105K16	C 1245	CKSQYX106K10
			C 1246	CKSQYX106K10
	C 769	CKSRYX105K16		
	C 770	CKSRYX105K16	C 1247	CKSSYB102K50
	C 771	CKSRYX105K16	C 1248	CKSSYB102K50
	C 772	CKSRYX105K16	C 1249	CKSSYB102K50
	C 773	CKSRYX105K16	C 1250	CKSSYB102K50
			C 1253	CKSSYB103K16
	C 774	CCSSCH151J50		
	C 775	CCSSCH151J50	C 1254	CKSSYB104K10
	C 776	CKSSYX104K50	C 1255	CCSSCH471J50
	C 777	CKSYX106K35	C 1256	CKSSYX105K10
	C 779	CKSQYX106K10	C 1278	CKSSYB104K16
E			C 1279	CKSSYB104K16
	C 780	CKSSYB104K16		
	C 781	CKSRYX105K16	C 1280	CCSSCH121J50
	C 782	CKSRYX105K16	C 1281	CCSSCH121J50
	C 783	CKSRYX105K16	C 1301	CKSQYB474K25
	C 784	CKSRYX105K16	C 1302	CKSQYB474K25
			C 1303	CKSQYB474K25
	C 785	CKSRYX105K16		
	C 787	CKSQYX106K16	C 1304	CKSQYB474K25
	C 788	CKSQYX106K16	C 1306	CKSRYB474K10
	C 790	CKSRYX106M6R3	C 1308	CKSRYX104K50
	C 791	CKSSYB103K25	C 1310	CKSQYX106K16
			C 1311	CKSRYX225K10
F	C 794	CCSSCH121J50		
	C 853	CCSSCH120J50	C 1312	CKSRYX104K50
	C 854	CCSSCH471J50	C 1317	CKSRYX104K50
	C 856	CKSSYX104K50	C 1318	CKSRYX104K50

1 000 pF

Circuit Symbol and No.**Part No.**C 1321
C 1424CKSRYX106M6R3
CKSRYB474K10**A****Unit Number: QWM5328(B)****Unit Name : Tuner Amp Unit****MISCELLANEOUS**

IC 201	Power supply IC	BD49101ARFS
IC 501	Microprocessor IC	STA1080
IC 502	IC	S-80827CNMC-B8M
IC 711	RAM IC	W9812G6KH-5
IC 731	ROM IC	M95512-RMN6P

IC 741	Flash ROM Unit	QVQ1104
IC 742	Flash Memory IC	W25Q16JVSSIQ
IC 761	E-VOL System LSI	BD37067FV
IC 851	Tuner IC	TEF6686AHN
IC 1301	Power Amp IC	TCB501HQ

IC 1401	IC	TC4066BFT
IC 1402	Op-amp IC	NJM8065RB1
Q 111	Resistor Built-in Transistor	LTC014TEB
Q 141	Resistor Built-in Transistor	LTC014TEB
Q 142	Resistor Built-in Transistor	LTC014TEB

Q 201	Resistor Built-in Transistor	LTC014TEB
Q 202	FET	SSM3J332R
Q 203	Power MOS FET	RRR040P03
Q 204	Resistor Built-in Transistor	LTC014TEB
Q 205	FET	SSM3J332R

Q 441	Transistor	2SAR502UB
Q 442	Resistor Built-in Transistor	LTC023YEB
Q 1101	Resistor Built-in Transistor	LTC014EEB
Q 1242	Transistor	IMH23
Q 1243	Transistor	IMH23

Q 1276	Bipolar Transistor	EMD53
Q 1277	Bipolar Transistor	EMD53
Q 1278	Bipolar Transistor	EMD53
Q 1279	Bipolar Transistor	EMD53
Q 1301	Transistor	EMD52

Q 1302	Resistor Built-in Transistor	LTA023YEB
Q 1401	Transistor	EMD52
Q 1403	Resistor Built-in Transistor	LTC014EEB
D 101	Diode	D1F60-5053
D 102	Diode	D1F60-5053

D 111	Zener Diode	UDZV6R8(B)
D 141	Zener Diode	UDZV7R5(B)
D 201	Schottky Diode	RB162MM-40TF
D 202	Rectifier Diode	RR1VWM4STF
D 203	Schottky Diode	RB056LAM-40TF

D 204	Rectifier Diode	RR1VWM4STF
D 206	Schottky Diode	CMS30130A
D 207	Schottky Diode	RB751SM-40
D 208	Schottky Diode	RB751SM-40
D 210	Schottky Diode	RB162MM-40TF

D 1001	Zener Diode	SZESD7351HG
D 1101	Zener Diode	UDZV18(B)
D 1201	Zener Diode	RSB6R8SM
D 1204	Zener Diode	UDZV18(B)
D 1205	Zener Diode	UDZV18(B)

Circuit Symbol and No.**Part No.**

D 1206	Zener Diode	RSB6R8SM
D 1207	Zener Diode	RSB6R8SM
D 1208	Zener Diode	RSB6R8SM
D 1209	Zener Diode	RSB6R8SM
D 1210	Zener Diode	RSB6R8SM

D 1303	Schottky Diode	RB751SM-40
L 101	Choke Coil 120 uH	CTH1620
L 201	SMD SPL Inductor	CTH1521
L 202	SMD SPL Inductor	CTH1584
L 203	Chip Beads	VTL1133

L 441	Inductor	CTF1736
L 501	Chip Beads	VTL1133
L 502	Inductor	CTF1645
L 504	Chip Beads	VTL1133
L 505	Chip Beads	VTL1133

L 511	Chip Beads	VTL1133
L 513	Chip Beads	VTL1133
L 514	Chip Beads	VTL1126
L 517	Chip Beads	VTL1133
L 518	Chip Beads	VTL1133

L 519	Chip Beads	VTL1133
L 520	Chip Beads	VTL1133
L 711	Chip Beads	VTL1133
L 854	Inductor	LCMAR27J1608
L 855	Inductor	CTF1786

L 857	SMD SPL Inductor	LCYAR82J2016
L 858	Chip Coil	LCTAWR27J2520
L 859	Chip Coil	LCTAW3R3J2520
L 863	Inductor	LCMAR22J1608
L 1001	Chip Ferrite Bead	DTL1107

L 1101	Inductor	CTF1787
L 1102	Chip Beads	VTL1133
L 1103	Chip Beads	VTL1133
L 1104	Chip Beads	VTL1133
L 1201	Noise Filter	CTF1901

L 1401	Ferrite Bead	CTF1528
X 501	Resonator 24 MHz	CSS1773
X 502	Resonator 32.768 kHz	CSS1807
X 851	Crystal Resonator 55.466 67 MHz	CSS1898
P 852	Surge Absorber	IMSA-6803-01Y900

P 1243	Poly Switch	FSMD075-24R
P 1276	Poly Switch	FSMD075-24R
VA 1101	SMD Varistor	MLV0402ES012V0010N
VA 1201	SMD Varistor	MLV0402ES012V0010N
VA 1202	SMD Varistor	MLV0402ES012V0010N

U 1001	BT Module	CWX4751
CN1101	Connector	VKN1192
CN1201	Connector	CKS6452
JA 101	Plug	CKM1624
JA 851	Antenna Jack	CKX1104

JA 1241	Jack	CKB1109
JA 1276	Jack	CKN1103

RESISTORS

R 111		XRS1/16SS223J
R 112		XRS1/16SS473J
R 113		XRS1/16SS822J
R 114		RS1/4SA102J
R 141		XRS1/16SS104J

Circuit Symbol and No.Part No.Circuit Symbol and No.Part No.

	R 142		XRS1/16SS473J		
	R 143		XRS1/16SS103J	R 509	XRS1/16SS473J
A	R 144		XRS1/16SS472J	R 510	XRS1/16SS473J
	R 145		XRS1/16SS0R0J	R 511	XRS1/16SS473J
	R 165		XRS1/10SR0R0J	R 512	XRS1/16SS102J
				R 513	XRS1/16SS222J
	R 201		XRS1/16SS102J		
	R 202		XRS1/16SS3303D	R 515	XRS1/16SS103J
	R 203		XRS1/10SR0R0J	R 517	XRS1/16SS103J
	R 204		XRS1/10SR0R0J	R 519	XRS1/16SS151J
	R 206		XRS1/16SS472J	R 521	XRS1/16SS473J
				R 522	XRS1/16SS0R0J
	R 207		XRS1/16SS103J		
	R 208		XRS1/16SS473J	R 524	XRS1/16SS3001D
	R 209		XRS1/10SR472J	R 525	XRS1/16SS103J
B	R 210		XRS1/16SS103J	R 526	XRS1/16SS1213F
	R 211		XRS1/10SR472J	R 527	XRS1/16SS472J
				R 531	XRS1/16SS222J
	R 212		XRS1/16SS103J		
	R 213		XRS1/16SS132J	R 532	XRS1/16SS222J
	R 214		XRS1/16SS102J	R 533	XRS1/10SR103J
	R 215		XRS1/16SS2403D	R 534	XRS1/10SR103J
	R 216		XRS1/16SS7502D	R 537	XRS1/16SS473J
				R 538	XRS1/16SS472J
	R 217		XRS1/16SS4303D		
	R 218		XRS1/16SS4303D	R 540	XRS1/16SS103J
	R 219		XRS1/16SS273J	R 541	XRS1/16SS103J
	R 220		XRS1/16SS474J	R 544	XRS1/16SS102J
C	R 221		XRS1/16SS473J	R 546	XRS1/16SS273J
				R 547	XRS1/16SS473J
	R 222		XRS1/16SS6802D		
	R 223	30 mohm	CCN1401	R 548	XRS1/16SS102J
	R 224		XRS1/16SS6802D	R 550	XRS1/16SS103J
	R 225		XRS1/16SS102J	R 551	XRS1/16SS103J
	R 226		XRS1/16SS1203D	R 552	XRS1/16SS102J
				R 554	XRS1/16SS222J
	R 227		XRS1/16SS1802D		
	R 229		RS1/16SS393J	R 555	XRS1/16SS135J
	R 230		XRS1/16SS682J	R 556	XRS1/16SS101J
	R 231		XRS1/16SS4703D	R 557	XRS1/16SS101J
	R 232		XRS1/16SS1503D	R 558	XRS1/16SS222J
				R 559	XRS1/16SS222J
D	R 233		XRS1/16SS1003D		
	R 234		XRS1/16SS7503D	R 561	XRS1/16SS103J
	R 235		XRS1/16SS1603D	R 562	XRS1/16SS472J
	R 236		XRS1/16SS103J	R 563	XRS1/16SS472J
	R 238		XRS1/16SS822J	R 564	XRS1/16SS472J
				R 566	RAB4CQ103J
	R 239		XRS1/16SS101J		
	R 240		XRS1/16SS101J	R 567	XRS1/16SS472J
	R 241		XRS1/16SS680J	R 568	XRS1/16SS0R0J
	R 242		RS1/16SS4701F	R 570	XRS1/16SS221J
	R 243		XRS1/16SS393J	R 571	XRS1/16SS221J
				R 572	XRS1/16SS472J
E	R 244		XRS1/16SS103J		
	R 246		XRS1/10SR0R0J	R 573	XRS1/16SS473J
	R 248		XRS1/16SS473J	R 574	XRS1/16SS473J
	R 250		XRS1/10SR471J	R 575	XRS1/16SS473J
	R 263		XRS1/10SR103J	R 577	XRS1/16SS182J
				R 578	XRS1/16SS473J
	R 269		XRS1/16SS101J		
	R 301		XRS1/10SR0R0J	R 579	XRS1/16SS473J
	R 441		XRS1/16SS103J	R 580	XRS1/16SS473J
	R 442		XRS1/10SR221J	R 581	XRS1/16SS0R0J
	R 503		XRS1/16SS3R3J	R 583	XRS1/16SS0R0J
				R 584	XRS1/16SS102J
	R 504		XRS1/16SS3R3J		
F	R 505		XRS1/16SS221J	R 585	XRS1/16SS0R0J
	R 506		XRS1/16SS473J	R 586	XRS1/16SS103J
	R 507		XRS1/16SS473J	R 587	XRS1/16SS102J
	R 508		XRS1/16SS473J	R 588	XRS1/16SS221J

<u>Circuit Symbol and No.</u>	<u>Part No.</u>	<u>Circuit Symbol and No.</u>	<u>Part No.</u>
R 589	XRS1/16SS0R0J	R 724	XRS1/16SS121J
R 590	XRS1/16SS221J	R 731	XRS1/16SS330J
R 591	XRS1/16SS221J	R 732	XRS1/16SS330J
R 593	XRS1/16SS0R0J	R 733	XRS1/16SS103J
R 594	XRS1/16SS0R0J	R 734	XRS1/16SS103J
R 596	XRS1/16SS0R0J	R 735	XRS1/16SS103J
R 597	XRS1/16SS102J	R 736	XRS1/16SS330J
R 599	XRS1/16SS102J	R 737	XRS1/16SS330J
R 603	XRS1/16SS101J	R 741	XRS1/16SS330J
R 604	XRS1/16SS101J	R 742	XRS1/16SS103J
R 605	XRS1/16SS101J	R 743	XRS1/16SS103J
R 611	XRS1/16SS472J	R 744	XRS1/16SS330J
R 612	XRS1/16SS473J	R 745	XRS1/16SS330J
R 614	XRS1/16SS473J	R 746	XRS1/16SS103J
R 615	XRS1/16SS103J	R 747	XRS1/16SS330J
R 617	XRS1/16SS473J	R 748	XRS1/16SS330J
R 627	XRS1/16SS153J	R 749	XRS1/16SS330J
R 628	XRS1/16SS153J	R 750	XRS1/16SS103J
R 629	XRS1/16SS472J	R 751	XRS1/16SS103J
R 630	XRS1/16SS101J	R 753	XRS1/16SS103J
R 631	XRS1/16SS0R0J	R 754	XRS1/16SS330J
R 632	XRS1/16SS101J	R 755	XRS1/16SS0R0J
R 633	XRS1/16SS101J	R 756	XRS1/16SS0R0J
R 634	XRS1/16SS101J	R 757	XRS1/16SS0R0J
R 635	XRS1/16SS101J	R 761	XRS1/10SR221J
R 636	XRS1/16SS101J	R 763	XRS1/16SS101J
R 637	XRS1/16SS221J	R 764	XRS1/16SS101J
R 638	XRS1/16SS221J	R 766	XRS1/16SS0R0J
R 640	XRS1/16SS101J	R 767	XRS1/16SS104J
R 642	XRS1/16SS221J	R 768	XRS1/16SS181J
R 643	XRS1/16SS101J	R 851	XRS1/16SS105J
R 644	XRS1/16SS473J	R 852	XRS1/16SS105J
R 645	XRS1/16SS101J	R 853	XRS1/16SS101J
R 646	XRS1/16SS101J	R 863	XRS1/16SS103J
R 647	XRS1/16SS102J	R 868	XRS1/16SS103J
R 648	XRS1/16SS102J	R 870	XRS1/16SS101J
R 650	XRS1/16SS101J	R 871	XRS1/16SS0R0J
R 652	XRS1/16SS101J	R 872	XRS1/16SS0R0J
R 653	XRS1/16SS0R0J	R 873	XRS1/16SS182J
R 657	XRS1/16SS101J	R 874	XRS1/16SS101J
R 658	XRS1/16SS101J	R 875	XRS1/16SS472J
R 659	XRS1/16SS101J	R 890	XRS1/16SS0R0J
R 660	XRS1/16SS101J	R 1001	XRS1/16SS0R0J
R 661	XRS1/16SS101J	R 1002	XRS1/16SS221J
R 663	XRS1/16SS101J	R 1004	XRS1/16SS473J
R 664	XRS1/16SS101J	R 1005	XRS1/16SS221J
R 665	XRS1/16SS222J	R 1006	XRS1/16SS0R0J
R 672	XRS1/16SS101J	R 1007	XRS1/16SS0R0J
R 690	XRS1/16SS472J	R 1011	XRS1/16SS221J
R 714	RAB4CQ121J	R 1012	XRS1/16SS221J
R 715	RAB4CQ121J	R 1013	XRS1/16SS0R0J
R 716	RAB4CQ121J	R 1017	XRS1/16SS473J
R 717	RAB4CQ121J	R 1018	XRS1/16SS473J
R 718	RAB4CQ121J	R 1101	XRS1/16SS104J
R 719	RAB4CQ121J	R 1104	XRS1/16SS472J
R 720	RAB4CQ121J	R 1105	XRS1/16SS221J
R 721	RAB4CQ121J	R 1106	XRS1/16SS221J
R 722	RAB4CQ121J	R 1107	XRS1/16SS101J
R 723	XRS1/10SR0R0J	R 1108	XRS1/16SS221J

Circuit Symbol and No.Part No.Circuit Symbol and No.Part No.

R 1109 XRS1/16SS101J
 R 1110 XRS1/16SS102J
 R 1112 XRS1/16SS221J

R 1323
 R 1324
 R 1401
 R 1402

XRS1/16SS0R0J
 XRS1/16SS0R0J
 XRS1/16SS221J
 XRS1/16SS102J

R 1114 XRS1/16SS473J
 R 1115 XRS1/16SS472J
 R 1116 XRS1/16SS472J
 R 1117 XRS1/16SS472J
 R 1119 XRS1/16SS473J

R 1403
 R 1407
 R 1408
 R 1409
 R 1410

XRS1/16SS103J
 XRS1/16SS272J
 XRS1/16SS332J
 XRS1/16SS333J
 XRS1/16SS163J

R 1120 XRS1/16SS151J
 R 1121 XRS1/16SS151J
 R 1122 XRS1/16SS151J
 R 1203 XRS1/16SS223J
 R 1204 XRS1/16SS223J

R 1411
 R 1412
 R 1413
 R 1414
 R 1415

XRS1/16SS824J
 XRS1/16SS563J
 XRS1/16SS0R0J
 XRS1/16SS0R0J
 XRS1/16SS273J

R 1205 XRS1/10SR222J
 R 1206 XRS1/10SR221J
 R 1207 XRS1/10SR221J
 R 1208 XRS1/10SR0R0J
 R 1209 XRS1/10SR222J

R 1416
 R 1428
 R 1431

XRS1/10SR0R0J
 XRS1/16SS0R0J
 XRS1/10SR0R0J

CAPACITORS

R 1210 XRS1/10SR222J
 R 1211 XRS1/10SR222J
 R 1212 XRS1/10SR222J
 R 1213 XRS1/16SS123J
 R 1214 XRS1/10SR222J

C 101 2 200 uF/16V
 C 102
 C 103
 C 104
 C 105

CCH1659
 CKSRYB103K50
 CKSSYB102K50
 CKSSYB102K50
 CKSSYB102K50

R 1215 XRS1/10SR101J
 R 1217 XRS1/16SS101J
 R 1220 XRS1/16SS0R0J
 R 1221 XRS1/16SS0R0J
 R 1222 XRS1/16SS0R0J

C 106
 C 107
 C 108
 C 109
 C 110

CKSSYB102K50
 CKSSYB102K50
 CKSSYB102K50
 CKSSYB102K50
 CKSSYB102K50

R 1223 XRS1/16SS0R0J
 R 1243 XRS1/16SS821J
 R 1244 XRS1/16SS821J
 R 1245 XRS1/16SS821J
 R 1246 XRS1/16SS821J

C 111
 C 201
 C 202
 C 203
 C 204

CKSRYX104K50
 CKSSYB681K50
 CEVW221M16
 CKSRYX106M6R3
 CEVQW221M6R3

R 1247 XRS1/16SS223J
 R 1248 XRS1/16SS223J
 R 1249 XRS1/16SS223J
 R 1250 XRS1/16SS223J
 R 1254 XRS1/16SS0R0J

C 205
 C 206
 C 207
 C 208
 C 209

CKSRYX105K50
 CKSYX106K35
 CKSSYB104K10
 CCSSCH471J50
 CKSSYB681K50

R 1256 XRS1/16SS0R0J
 R 1276 XRS1/16SS8201D
 R 1277 XRS1/16SS6800D
 R 1278 XRS1/16SS1001D
 R 1279 XRS1/16SS6800D

C 210 2 200 uF/16V
 C 211
 C 212
 C 213
 C 214

CCH1659
 CKSQYX106K10
 CEAT102M16
 CKSSYB222K50
 CKSRYX106M6R3

R 1280 XRS1/16SS1001D
 R 1281 XRS1/16SS101J
 R 1282 XRS1/16SS101J
 R 1283 XRS1/16SS8201D
 R 1301 XRS1/16SS123J

C 215
 C 216
 C 218
 C 220
 C 221

CKSSYB104K16
 CKSSYX104K50
 CKSYX106K35
 CKSYX106K35
 CKSYX106K35

R 1302 XRS1/16SS103J
 R 1303 XRS1/16SS221J
 R 1305 RS1/16SS0R0J
 R 1306 XRS1/16SS103J
 R 1307 XRS1/16SS0R0J

C 222
 C 223
 C 224
 C 225
 C 227

CEVW221M16
 CCSSCH221J50
 CKSRYX105K16
 CKSRYX105K16
 CCSSCH221J50

R 1308 RS1/8SQ0R0J
 R 1312 XRS1/16SS272J
 R 1313 XRS1/16SS102J
 R 1316 XRS1/10SR0R0J
 R 1321 XRS1/16SS0R0J

C 228
 C 230
 C 231
 C 232
 C 234

CKSSYB102K50
 CKSQYX106K10
 CKSSYB104K16
 CEHVW101M6R3
 CKSRYX475K6R3

R 1322 XRS1/16SS0R0J

<u>Circuit Symbol and No.</u>	<u>Part No.</u>	<u>Circuit Symbol and No.</u>	<u>Part No.</u>
C 236	CKSYX106K35	C 536	CCSSCH101J50
C 237	CKSSYB104K16	C 537	CKSSYB103K16
C 238	CKSYX226M16	C 538	CKSRYX106M6R3
C 239	CCSSCH100D50	C 539	CKSSYB103K16
C 240	CCSSCH100D50	C 540	CKSRYX106M6R3
C 241	CKSQYX106K10	C 541	CKSSYB222K50
C 242	CKSSYB104K16	C 542	CKSSYB104K10
C 243	CKSYX106K35	C 543	CKSSYX105K10
C 244	CKSSYB102K50	C 544	CKSSYB473K16
C 245	CKSYX106K35	C 545	CCSSCH100D50
C 247	CKSSYX105K10	C 546	CCSSCH120J50
C 248	CKSRYX105K50	C 551	CKSSYB104K10
C 249	CCSSCH820J50	C 552	CKSRYX475K6R3
C 250	CKSRYX225K10	C 553	CKSRYX106M6R3
C 251	CKSSYX105K10	C 555	CKSSYB103K16
C 252	CKSRYX475K6R3	C 556	CKSSYB104K10
C 253	CKSRYX105K50	C 559	CKSQYB224K50
C 255	CKSSYX105K6R3	C 560	CKSSYB103K16
C 257	CKSYX106K35	C 565	CCSSCH270J50
C 259	CKSQYX106K10	C 566	CCSSCH330J50
C 260	CKSQYX106K10	C 575	CKSSYB104K10
C 261	CKSSYB104K10	C 576	CKSSYB102K50
C 270	CKSRYX475K6R3	C 580	CKSRYX104K50
C 441	CCSSCH101J50	C 588	CKSSYB104K10
C 442	CKSRYX106M6R3	C 590	CKSSYB472K25
C 443	CCSSCH101J50	C 591	CKSSYB472K25
C 444	CKSRYX106M6R3	C 592	CKSSYB472K25
C 502	CKSSYB104K10	C 593	CKSSYB472K25
C 503	CKSRYX475K6R3	C 595	CKSSYB472K25
C 505	CKSSYB104K10	C 712	CKSSYX105K10
C 506	CKSRYX475K6R3	C 713	CKSSYB104K10
C 507	CKSRYX475K6R3	C 714	CKSSYX105K10
C 508	CKSSYB104K10	C 715	CKSSYX105K10
C 509	CKSRYX475K6R3	C 716	CKSSYX105K10
C 510	CKSSYB104K10	C 717	CKSRYX475K6R3
C 511	CKSRYX475K6R3	C 718	CKSSYX105K10
C 512	CKSSYB104K10	C 719	CKSSYB104K10
C 513	CKSRYX475K6R3	C 721	CKSSYX105K16
C 514	CKSSYB104K10	C 722	CKSSYB104K10
C 515	CKSSYX105K10	C 723	CKSSYB102K50
C 516	CKSRYX225K16	C 729	CKSQYX106K10
C 517	CKSSYB104K10	C 731	CKSSYB104K10
C 518	CCSSCH100D50	C 741	CKSRYX225K10
C 519	CCSSCH100D50	C 742	CKSSYB104K10
C 520	CKSRYX475K6R3	C 743	CKSSYB104K10
C 521	CKSSYB104K10	C 761	CKSRYX105K16
C 522	CKSRYX475K6R3	C 762	CKSRYX105K16
C 523	CKSRYX475K6R3	C 763	CKSRYX105K16
C 524	CKSRYX475K6R3	C 767	CKSRYX105K16
C 525	CKSRYX106M6R3	C 768	CKSRYX105K16
C 526	CKSSYB103K16	C 769	CKSRYX105K16
C 527	CKSRYX106M6R3	C 770	CKSRYX105K16
C 528	CKSSYB103K16	C 771	CKSRYX105K16
C 529	CKSSYB104K10	C 772	CKSRYX105K16
C 530	CKSRYX475K6R3	C 773	CKSRYX105K16
C 531	CKSSYX105K10	C 774	CCSSCH151J50
C 532	CKSSYX105K10	C 775	CCSSCH151J50
C 533	CKSRYX475K6R3	C 776	CKSSYX104K50
C 534	CKSSYB104K10	C 777	CKSYX106K35
C 535	CEVW221M10		

Circuit Symbol and No.Part No.Circuit Symbol and No.Part No.

C 778	CKSRYX105K16
A C 779	CKSQYX106K10
C 780	CKSSYB104K16
C 781	CKSRYX105K16
C 782	CKSRYX105K16
C 783	CKSRYX105K16
C 784	CKSRYX105K16
C 785	CKSRYX105K16
C 787	CKSQYX106K16
C 788	CKSQYX106K16
C 790	CKSRYX106M6R3
C 791	CKSSYB103K25
B C 794	CCSSCH121J50
C 853	CCSSCH120J50
C 854	CCSSCH471J50
C 856	CKSSYX104K50
C 857	CKSSYX104K50
C 858	CCSSCH5R0C50
C 859	CCSSCH120J50
C 860	CCSSCK2R0C50
C 861	CCSSCK1R0C50
C 862	CCSSCK1R0C50
C 863	CCSSCH120J50
C 865	CKSRYX225K10
C 866	CKSSYB224K6R3
C 867	CKSSYB102K50
C 870	CKSSYB102K50
C 872	CKSSYB104K10
C 874	CCSSCH180J50
C 875	CKSSYB104K10
C 878	CKSSYB152K50
C 882	CKSSYX105K10
C 884	CKSSYB104K16
C 890	CKSRYX106M6R3
D C 891	CKSRYX225K10
C 1003	CKSSYB104K16
C 1004	CKSSYB104K16
C 1101	CKSSYB103K16
C 1105	CKSSYX105K10
C 1106	CKSSYX105K10
C 1109	CKSSYB102K50

C 1201	1 000 pF	CCG1345
C 1202		CKSSYX104K50
C 1203		CKSRYX104K50
C 1204		CKSRYX105K16
E C 1205		CCSRCH221J50

C 1206		CCSRCH221J50
C 1210		CKSRYX105K16
C 1212		CCSSCH470J50
C 1217		CCSSCH121J50
C 1221		CKSYX106K35

C 1243		CKSQYX106K10
C 1244		CKSQYX106K10
C 1245		CKSQYX106K10
C 1246		CKSQYX106K10
F C 1247		CKSSYB102K50

C 1248		CKSSYB102K50
C 1249		CKSSYB102K50
C 1250		CKSSYB102K50

C 1253	CKSSYB103K16
C 1254	CKSSYB104K10
C 1255	CCSSCH471J50
C 1256	CKSSYX105K10
C 1278	CKSSYB104K16
C 1279	CKSSYB104K16
C 1280	CCSSCH121J50
C 1281	CCSSCH121J50
C 1301	CKSQYB474K25
C 1302	CKSQYB474K25
C 1303	CKSQYB474K25
C 1304	CKSQYB474K25
C 1306	CKSRYB474K10
C 1308	CKSRYX104K50
C 1310	CKSQYX106K16
C 1311	CKSRYX225K10
C 1312	CKSRYX104K50
C 1317	CKSRYX104K50
C 1318	CKSRYX104K50
C 1321	CKSRYX106M6R3
C 1401	CKSSYB104K10
C 1403	CKSRYX106M6R3
C 1404	CKSSYB104K10
C 1405	CKSSYX105K10
C 1406	CKSSYB104K10
C 1407	CKSSYB182K50
C 1408	CKSRYX105K25
C 1409	CKSSYX105K10
C 1410	CCSSCH6R0D50
C 1411	CKSSYB102K50
C 1412	CKSSYB104K10
C 1421	CKSRYX105K16
C 1422	CKSRYX105K16
C 1424	CKSRYB474K10

B**Unit Number: QWM5374****Unit Name : Keyboard Unit**MISCELLANEOUS

IC 1801	Driver IC	BU97540KV-M
IC 1851	IR RC REC Module	SIR8440B5
Q 1951	Bipolar Transistor	LSCR523UB
Q 1952	Bipolar Transistor	LSCR523UB
Q 1953	Bipolar Transistor	LSCR523UB
Q 1954	Bipolar Transistor	LSCR523UB
D 1901	Zener Diode	SZESD7351HG
D 1902	Zener Diode	SZESD7351HG
D 1921	Zener Diode	RSB6R8SM
D 1922	Zener Diode	RSB6R8SM
D 1923	Zener Diode	RSB6R8SM
D 1951	LED	FC-3215BK-470H10
D 1952	LED	FC-3215BK-470H10
D 1953	LED	FC-3215BK-470H10
D 1954	LED	FC-3215BK-470H10
D 1955	LED	FC-3215BK-470H10
D 1956	LED	FC-3215BK-470H10
D 1957	White LED	SWBA05(FI231719)

<u>Circuit Symbol and No.</u>		<u>Part No.</u>
S 1821	Switch	CSG1207
S 1822	Switch	CSG1207
S 1823	Switch	CSG1207
S 1824	Switch	CSG1207
S 1825	Switch	CSG1207
S 1826	Switch	CSG1207
S 1827	Switch	CSG1207
S 1828	Switch	CSG1207
S 1829	Switch	CSG1207
S 1830	Switch	CSG1207
S 1831	Switch	CSG1207
S 1832	Switch	CSG1207
S 1833	Switch	CSG1207
S 1834	Switch	CSG1207
S 1835	Switch	CSG1207
S 1836	Encoder(MULTI-CONTROL)	CSD1193
S 1941	Switch	CSG1207
CN1941	Connector	CKS6451
JA 1901	Connector	CKS6443
JA 1921	Jack	CKN1090
V 1801	Segment LCD	CAW2065

RESISTORS

R 1802	XRS1/10SR472J
R 1821	XRS1/10SR273J
R 1853	XRS1/10SR101J
R 1941	XRS1/10SR222J
R 1942	XRS1/10SR222J
R 1943	XRS1/10SR222J
R 1944	XRS1/10SR222J
R 1951	XRS1/10SR332J
R 1952	XRS1/10SR100J
R 1953	XRS1/10SR221J
R 1954	XRS1/10SR392J
R 1955	XRS1/10SR332J
R 1956	XRS1/10SR100J
R 1957	XRS1/10SR271J
R 1958	XRS1/10SR392J
R 1959	XRS1/10SR332J
R 1960	XRS1/10SR100J
R 1961	XRS1/10SR271J
R 1962	XRS1/10SR392J
R 1963	XRS1/10SR332J
R 1964	XRS1/10SR181J
R 1965	XRS1/10SR151J
R 1966	XRS1/10SR392J

CAPACITORS

C 1801	CKSRYX105K16
C 1851	CKSQYX106K10
C 1903	CKSRYX104K50
C 1904	CKSRYX475K16

**Unit Number: CWX4269****Unit Name : CD Core Unit(S11.6VA)****MISCELLANEOUS**

<u>Circuit Symbol and No.</u>		<u>Part No.</u>	<u>Circuit Symbol and No.</u>		<u>Part No.</u>
IC 201	IC	PEQ094A	S 901	Lever Switch(HOME)	CSN1090
IC 301	Driver IC	BD8223EFV	S 903	Spring Switch(DSCSNS)	CSN1081
Q 101	Transistor	2SAR502UB	CN101	Connector	CKS4808
Q 102	Chip Digital Transistor	LTA123JUB	CN701	Connector	CKS6146
X 201	Ceramic Resonator 16.934 MHz	CSS1603			

RESISTORS

R 101	RS1/10SR2R4J
R 102	RS1/10SR2R4J
R 103	RS1/10SR2R7J
R 108	RS1/16SS105J
R 109	RS1/16SS152J
R 214	RS1/16SS103J
R 215	RS1/16SS393J
R 216	RS1/16SS102J
R 217	RS1/16SS562J
R 218	RS1/16SS472J
R 229	RS1/16SS471J
R 232	RS1/16SS0R0J
R 237	RS1/16SS221J
R 240	RS1/16SS473J
R 245	RS1/16SS104J
R 254	RS1/16SS104J
R 260	RS1/16SS103J
R 264	RS1/16SS102J
R 281	RS1/16SS560J
R 282	RS1/16SS560J
R 291	RS1/16SS560J
R 294	RS1/16SS471J
R 303	RS1/16SS123J
R 304	RS1/16SS123J
R 305	RS1/16SS102J
R 306	RS1/16SS472J
R 307	RS1/16SS102J
R 308	RS1/16SS472J
R 309	RS1/16SS473J
R 310	RS1/16SS472J
R 311	RS1/16SS472J
R 312	RS1/16SS472J
R 313	RS1/16SS472J
R 701	RS1/16SS101J
R 702	RS1/16SS101J
R 706	RS1/16SS221J

CAPACITORS

C 104	CKSQYB475K6R3
C 110	CKSSYB104K10
C 111	CKSSYB103K16
C 203	CKSSYB104K10
C 205	CKSRYB105K10
C 209	CKSRYB104K16
C 210	CKSSYB104K10
C 211	CKSSYB104K10
C 212	CKSSYB104K10
C 213	CKSSYB332K50

Circuit Symbol and No.**Part No.****Circuit Symbol and No.****Part No.**

C 214 CKSSYB473K16
 C 215 CKSSYB104K10
 C 216 CKSSYB152K50
 C 217 CCSSCH390J50
 C 218 CCSSCH5R0C50

R 254
 R 260
 R 264
 R 281
 R 282

RS1/16SS104J
 RS1/16SS103J
 RS1/16SS102J
 RS1/16SS560J
 RS1/16SS560J

C 219 CKSSYB104K10
 C 220 CKSSYB104K10
 C 221 CKSSYB104K10
 C 222 CKSSYB104K10
 C 223 CCSSCH680J50

R 291
 R 294
 R 303
 R 304
 R 305

RS1/16SS560J
 RS1/16SS471J
 RS1/16SS123J
 RS1/16SS123J
 RS1/16SS102J

C 224 CCSSCH470J50
 C 225 CKSSYB103K16
 C 228 CCSSCH180J50
 C 229 CKSSYB104K10
 C 233 CKSSYB103K16

R 306
 R 307
 R 308
 R 309
 R 310

RS1/16SS472J
 RS1/16SS102J
 RS1/16SS472J
 RS1/16SS473J
 RS1/16SS472J

C 236 CKSSYB104K10
 C 238 CKSRYB104K16
 C 299 CKSSYB104K10
 C 302 CKSSYB102K50
 C 303 CKSSYB102K50

R 311
 R 312
 R 313
 R 701
 R 702

RS1/16SS472J
 RS1/16SS472J
 RS1/16SS472J
 RS1/16SS101J
 RS1/16SS101J

C 304 CKSSYB223K16
 C 305 CKSSYB104K10
 C 306 CKSSYB104K10
 C 307 CKSRYB105K10
 C 308 CKSRYB105K10

R 706

RS1/16SS221J

C 710 CKSSYB102K50

CAPACITORS

C 104
 C 203
 C 209
 C 210
 C 211

CKSQYB475K6R3
 CKSSYB104K10
 CKSRYB104K16
 CKSSYB104K10
 CKSSYB104K10

C 212
 C 213
 C 214
 C 215
 C 216

CKSSYB104K10
 CKSSYB332K50
 CKSSYB473K16
 CKSSYB104K10
 CKSSYB182K50

IC 201 IC PE5791A
 IC 301 Driver IC BD8223EFV
 Q 101 Transistor 2SAR502UB
 Q 102 Chip Digital Transistor LTA123JUB
 X 201 Ceramic Resonator 16.934 MHz CSS1603

C 217
 C 218
 C 219
 C 220
 C 221

CCSSCH560J50
 CCSSCH4R0C50
 CKSSYB104K10
 CKSSYB104K10
 CKSSYB104K10

S 901 Lever Switch(HOME) CSN1090
 S 903 Spring Switch(DSCSNS) CSN1081
 CN101 Connector CKS4808
 CN701 Connector CKS6146

C 222
 C 223
 C 224
 C 225
 C 228

CKSSYB104K10
 CCSSCH680J50
 CCSSCH470J50
 CKSSYB103K16
 CCSSCH270J50

RESISTORS

R 101 RS1/10SR2R4J
 R 102 RS1/10SR2R4J
 R 103 RS1/10SR2R7J
 R 108 RS1/16SS105J
 R 109 RS1/16SS222J

C 229
 C 233
 C 236
 C 238
 C 299

CKSSYB104K10
 CKSSYB103K16
 CKSSYB104K10
 CKSRYB104K16
 CKSSYB104K10

R 214 RS1/16SS103J
 R 215 RS1/16SS393J
 R 216 RS1/16SS122J
 R 217 RS1/16SS562J
 R 218 RS1/16SS472J

C 302
 C 303
 C 304
 C 305
 C 306

CKSSYB102K50
 CKSSYB102K50
 CKSSYB223K16
 CKSSYB104K10
 CKSSYB104K10

R 229 RS1/16SS471J
 R 232 RS1/16SS0R0J
 R 237 RS1/16SS221J
 R 240 RS1/16SS473J
 R 245 RS1/16SS104J

C 307
 C 308
 C 710

CKSRYB105K10
 CKSRYB105K10
 CKSSYB102K50