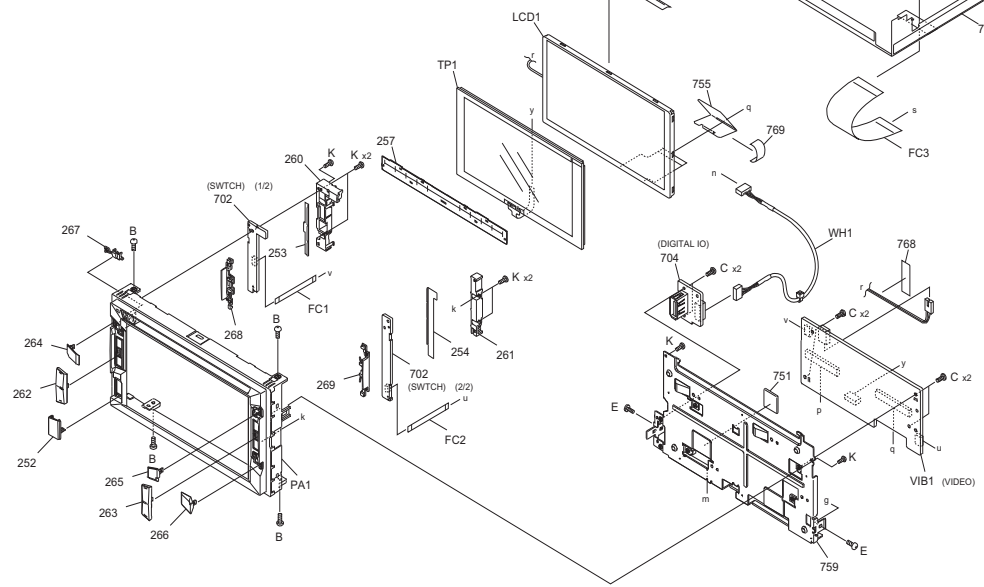
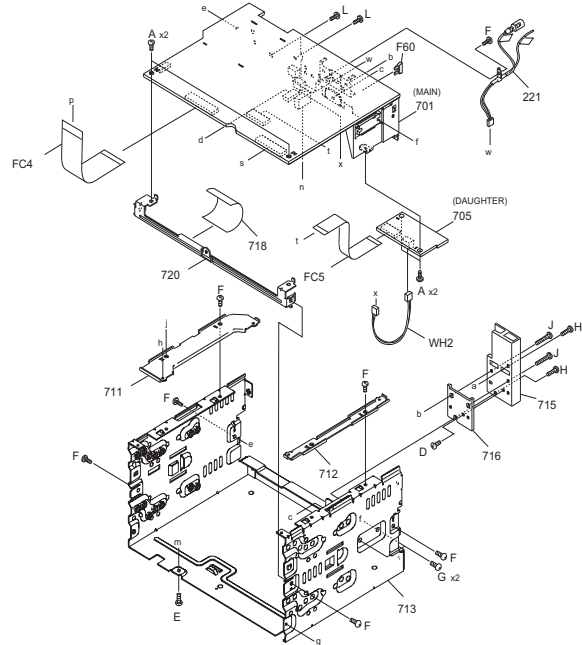
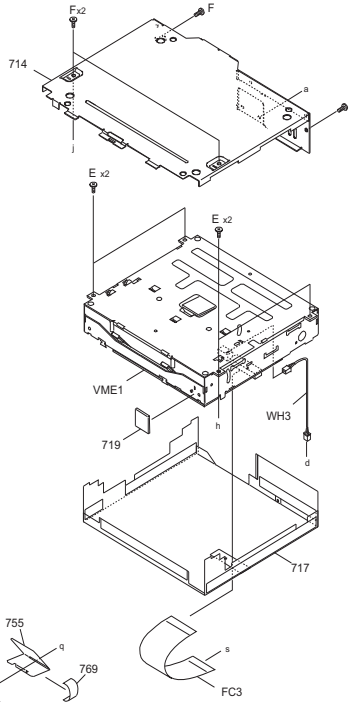
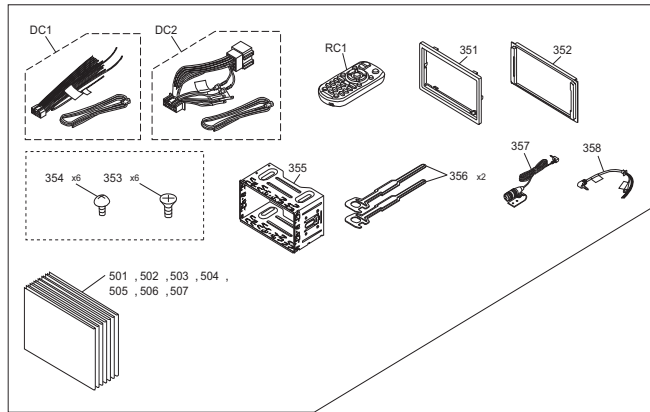


EXPLODED VIEW (UNIT)

Block No.M1MM



Parts with the exploded numbers larger than 700 are not supplied.

MODEL	MARK	MODEL	MARK	MODEL	MARK	MODEL	MARK
KW-V120BTK	A	KW-V120MM2	B	KW-V220BTE	C	KW-V220BTK	D
KW-V220BTM	E	KW-V220BTMM2	F	KW-V220BTN	G	KW-V220BTQ	H
KW-V220BTR	I	KW-V220BTX	J				

Safe	Symbol No.	Parts No.	Parts Name	Description	QTY	Local
------	------------	-----------	------------	-------------	-----	-------

EXPLODED VIEW (UNIT) <M1MM>

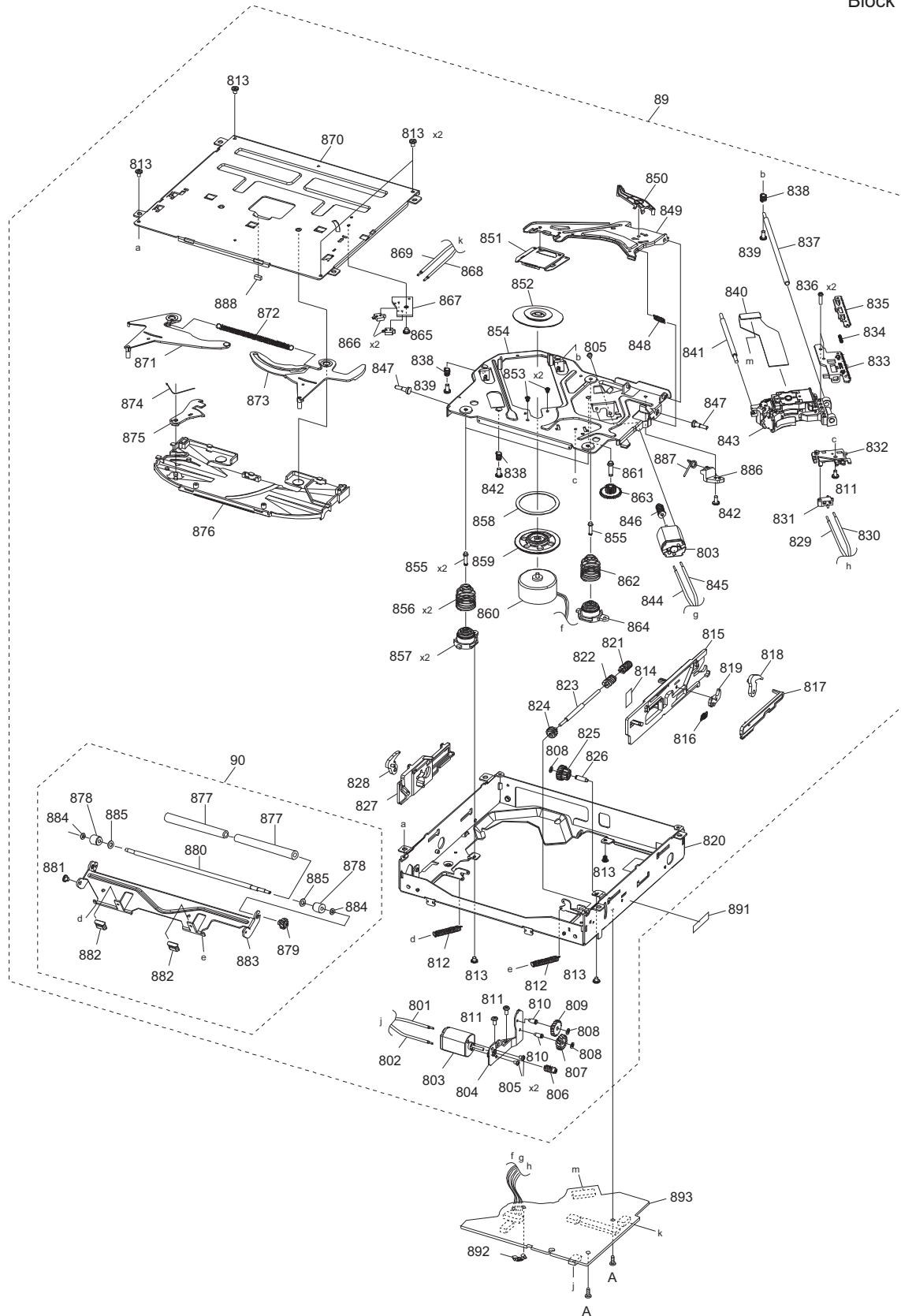
DC1	QAM1561-001	DC CORD			1	A,B,D,E,F,G,I,J
DC2	QAM1562-001	DC CORD			1	C,H
F60	FZB10BT-100	BLADE FUSE			1	
FC1	EF0AA051005BC	FLAT CABLE			1	
FC2	E3F-0148-00	FLAT CABLE			1	
FC3	E3F-0147-00	FLAT CABLE			1	
FC4	E3F-0103-00	FLAT CABLE			1	
FC5	EF0AA052208BC	FLAT CABLE			1	B,D,E,F,G,J
LCD1	B3H-0014-10	LCD			1	
PA1	A6C-0006-0E	PANEL			1	A
PA1	A6C-0006-0B	PANEL			1	B
PA1	A6C-0006-0D	PANEL			1	C,E,F,G,H,I,J
PA1	A6C-0006-0F	PANEL			1	D
RC1	A7A-0006-00	REMOTE CONTROL			1	B,E,F,G,I
TP1	W0C-0063-10	TOUCH PANEL			1	
VIB1	CB-16KWVVU1KN	VIDEO PWB ASSY	XJ8-0310-12		1	A,D
VIB1	CB-16KWVVU2MN	VIDEO PWB ASSY	XJ8-0310-23		1	B
VIB1	CB-16KWVVU1MN	VIDEO PWB ASSY	XJ8-0310-22		1	E,G,J
VIB1	CB-16KWVVU1EN	VIDEO PWB ASSY	XJ8-031E-02		1	C,F,H,I
VME1	XJJ-0140-11	MECHANISM ASSY			1	
WH1	E3F-0102-00	WIRING HARNESS			1	
WH2	WJJ1273-001A-E	E-SI C WIRE C-C			1	D
WH3	WJN0345-001A-E	E-SH C WIRE C-C			1	
A	GE40377-002A	SPECIAL SCREW			2	A,C,H,I
A	GE40377-002A	SPECIAL SCREW			4	B,D,E,F,G,J
B	LV44159-005A	MINI SCREW			4	
C	LV44615-003A	SPECIAL SCREW			6	
D	QYSDSP2610ZA	SCREW	M2.6 x 10mm		1	
E	QYSDST2006ZA	TAP SCREW	M2 x 6mm		7	
F	QYSDST2606ZA	TAP SCREW	M2.6 x 6mm		11	
G	QYSDST2610ZA	TAP SCREW	M2.6 x 10mm		2	
H	QYSDST2614ZA	TAP SCREW	M2.6 x 14mm		2	
J	QYSDST2620ZA	TAP SCREW	M2.6 x 20mm		2	
K	VKZ4777-012	SCREW			7	
L	QYSDSF2608ZA	TAP SCREW	M2.6 x 8mm		2	
221	E3A-0045-01	CORD W.CON.			1	
252	F0G-0014-00	MOLDING COVER			1	
253	F0K-0015-10	SHEET			1	
254	F0K-0016-00	SHEET			1	
257	F1K-0005-00	BLIND PLATE			1	
260	J2K-0008-00	GUIDE			1	
261	J2K-0009-00	GUIDE			1	
262	K2A-0006-10	KNOB	VOLUME		1	A,B,C,D,F,H,I
262	K2A-0006-06	KNOB	VOLUME		1	E,G,J
263	K2A-0007-08	KNOB	HOME/FNC		1	A,C,D,F,H,I
263	K2A-0007-07	KNOB	HOME/FNC		1	B
263	K2A-0007-12	KNOB	HOME/FNC		1	E,G,J
264	K2A-0008-00	KNOB	EJECT		1	
265	K2A-0009-00	KNOB	DISPLAY		1	
266	K2A-0010-00	KNOB	EQ		1	
267	W1A-0004-00	LENS			1	
268	B1K-0019-10	LIGHTING BOARD			1	
269	B1K-0020-10	LIGHTING BOARD			1	
351	B9H-0001-00	ESCUTCHEON			1	C,H,I
352	B9H-0002-00	ESCUTCHEON			1	B,E,F,G,J
353	QYSSSP5008ZA	SCREW	M5 x 8mm		6	A,B,D,E,F,G,I,J
354	QYSTSP5008ZA	SCREW	M5 x 8mm		6	A,B,D,E,F,G,I,J
355	J2C-0006-00	MOUNTING ASSY			1	C,H,I
356	D1A-0007-00	LEVER			2	C,H,I
357	QAN0126-001	MICROPHONE			1	A,C,D,E,F,G,H,I,J
358	QAM1419-001	CAR CABLE			1	B,E,F,J
501	B5A-0862-00	INST.MANUAL	ENG		1	A,D,I
501	B5A-0864-00	INST.MANUAL	ENG		1	B,E,F,G,J
501	B5A-0863-00	INST.MANUAL	ENG		1	C
501	B5A-0863-08	INST.MANUAL	RUS		1	H
502	B5A-0862-01	INST.MANUAL	FRE		1	A,D,I
502	B5A-0864-03	INST.MANUAL	FRE		1	B,F
502	B5A-0863-01	INST.MANUAL	FRE		1	C
502	B5A-0864-01	INST.MANUAL	CHI(TAIWAN)		1	E
503	B5A-0862-02	INST.MANUAL	SPA		1	A,D,I
503	B5A-0864-04	INST.MANUAL	RUS		1	B,F
503	B5A-0863-02	INST.MANUAL	GER		1	C
503	B5A-0864-02	INST.MANUAL	THA		1	E
504	B5A-0864-05	INST.MANUAL	TUR		1	B,F
504	B5A-0863-03	INST.MANUAL	DUT		1	C
504	B5A-0862-03	INST.MANUAL	POR(LATIN AMERICA)		1	I
505	B5A-0864-06	INST.MANUAL	ARA		1	B,F
505	B5A-0863-04	INST.MANUAL	ITA		1	C
506	B5A-0864-07	INST.MANUAL	PER		1	B,F
506	B5A-0863-05	INST.MANUAL	SPA		1	C
507	B5A-0863-06	INST.MANUAL	POR		1	C
701	-----	MAIN PWB ASSY	NO SERVICE PART		1	A
701	-----	MAIN PWB ASSY	NO SERVICE PART		1	B
701	-----	MAIN PWB ASSY	NO SERVICE PART		1	C
701	-----	MAIN PWB ASSY	NO SERVICE PART		1	D
701	-----	MAIN PWB ASSY	NO SERVICE PART		1	E
701	-----	MAIN PWB ASSY	NO SERVICE PART		1	F
701	-----	MAIN PWB ASSY	NO SERVICE PART		1	G

MODEL	MARK	MODEL	MARK	MODEL	MARK	MODEL	MARK
KW-V120BTK	A	KW-V120MM2	B	KW-V220BTE	C	KW-V220BTK	D
KW-V220BTM	E	KW-V220BTMM2	F	KW-V220BTN	G	KW-V220BTQ	H
KW-V220BTR	I	KW-V220BTX	J				

Safe	Symbol No.	Parts No.	Parts Name	Description	QTY	Local
	701	-----	MAIN PWB ASSY	NO SERVICE PART	1	H
	701	-----	MAIN PWB ASSY	NO SERVICE PART	1	I
	701	-----	MAIN PWB ASSY	NO SERVICE PART	1	J
	702	-----	SWITCH PWB ASSY	NO SERVICE PART	1	
	704	-----	DIGITAL IO PWB ASS	NO SERVICE PART	1	
			Y			
	705	-----	DAUGHTER PWB ASSY	NO SERVICE PART	1	B,G,J
	705	-----	DAUGHTER PWB ASSY	NO SERVICE PART	1	D
	705	-----	DAUGHTER PWB ASSY	NO SERVICE PART	1	E,F
	711	-----	BRACKET	NO SERVICE PART	1	
	712	-----	BRACKET	NO SERVICE PART	1	
	713	-----	CHASSIS	NO SERVICE PART	1	
	714	-----	TOP PLATE	NO SERVICE PART	1	
	715	-----	HEAT SINK	NO SERVICE PART	1	
	716	-----	HEAT SINK	NO SERVICE PART	1	
	717	-----	COVER ASSY	NO SERVICE PART	1	
	718	-----	SHEET	NO SERVICE PART	1	
	719	-----	CONDUCT CUSHION	NO SERVICE PART	1	
	720	-----	STAY	NO SERVICE PART	1	
	751	-----	COOL SHEET	NO SERVICE PART	1	
	755	-----	SHEET	NO SERVICE PART	1	
	756	-----	SHEET	NO SERVICE PART	1	
	759	-----	BRACKET ASSY	NO SERVICE PART	1	
	769	-----	SPACER(H)	NO SERVICE PART	1	
	768	-----	SPACER(H)	NO SERVICE PART	1	

EXPLODED VIEW (DVD MECHANISM: XJJ-0140-11)

Block No.MJMM



Parts with the exploded numbers larger than 800 are not supplied.

MODEL	MARK	MODEL	MARK	MODEL	MARK	MODEL	MARK
KW-V120BTK	A	KW-V120MM2	B	KW-V220BTE	C	KW-V220BTK	D
KW-V220BTM	E	KW-V220BTMM2	F	KW-V220BTN	G	KW-V220BTQ	H
KW-V220BTR	I	KW-V220BTX	J				

Safe	Symbol No.	Parts No.	Parts Name	Description	QTY	Local
------	------------	-----------	------------	-------------	-----	-------

EXPLODED VIEW (DVD MECHANISM: XJJ-0140-11) <MJMM>

A	LV44615-001A	SPECIAL SCREW			2	
89	D4A-0010-00	DVD DRIVE			1	
90	D4A-0011-00	ROLLAR ASSY			1	
801	-----	LEAD	NO SERVICE PART		1	
802	-----	LEAD	NO SERVICE PART		1	
803	-----	SLED MOTOR	NO SERVICE PART		2	
804	-----	MOTOR BRACKET	NO SERVICE PART		1	
805	-----	SCREW	NO SERVICE PART		3	
806	-----	MOTOR WORM	NO SERVICE PART		1	
807	-----	IDLER WHEEL A	NO SERVICE PART		1	
808	-----	WASHER	NO SERVICE PART		3	
809	-----	IDLER WHEEL B	NO SERVICE PART		1	
810	-----	IDLER WHEEL PIN	NO SERVICE PART		2	
811	-----	SCREW	NO SERVICE PART		3	
812	-----	UP LEVER SPRING	NO SERVICE PART		2	
813	-----	SCREW	NO SERVICE PART		7	
814	-----	CUSHION	NO SERVICE PART		1	
815	-----	LEVER R	NO SERVICE PART		1	
816	-----	SUB SPRING R	NO SERVICE PART		1	
817	-----	SUB LEVER R	NO SERVICE PART		1	
818	-----	LOCK LEVER R	NO SERVICE PART		1	
819	-----	LOCK LEVER	NO SERVICE PART		1	
820	-----	MAIN SHASSIS	NO SERVICE PART		1	
821	-----	DRIVING WORM	NO SERVICE PART		1	
822	-----	ROLLER WORM	NO SERVICE PART		1	
823	-----	WORM SHAFT	NO SERVICE PART		1	
824	-----	LOAD GEAR	NO SERVICE PART		1	
825	-----	DRIVING GEAR	NO SERVICE PART		1	
826	-----	DRIVING GEAR PIN	NO SERVICE PART		1	
827	-----	LEVER L	NO SERVICE PART		1	
828	-----	LOCK LEVER L	NO SERVICE PART		1	
829	-----	LEAD	NO SERVICE PART		1	
830	-----	LEAD	NO SERVICE PART		1	
831	-----	INNER SWITCH	NO SERVICE PART		1	
832	-----	PICK-UP GUIDER	NO SERVICE PART		1	
833	-----	SLED RACK	NO SERVICE PART		1	
834	-----	SLED RACK SPRING	NO SERVICE PART		1	
835	-----	SUB SLED RACK	NO SERVICE PART		1	
836	-----	SCREW	NO SERVICE PART		2	
837	-----	MAIN SHAFT A	NO SERVICE PART		1	
838	-----	JUDGEMENT SPRING	NO SERVICE PART		3	
839	-----	SCREW	NO SERVICE PART		2	
840	-----	FPC	NO SERVICE PART		1	
841	-----	MAIN SHAFT B	NO SERVICE PART		1	
842	-----	SCREW	NO SERVICE PART		2	
843	-----	PICK-UP	NO SERVICE PART		1	
844	-----	LEAD	NO SERVICE PART		1	
845	-----	LEAD	NO SERVICE PART		1	
846	-----	SLED WORM	NO SERVICE PART		1	
847	-----	PB LOCK PIN	NO SERVICE PART		2	
848	-----	CHUCK SPRING	NO SERVICE PART		1	
849	-----	CHUCK ARM	NO SERVICE PART		1	
850	-----	PUSH LEVER	NO SERVICE PART		1	
851	-----	CHUCK PLATE	NO SERVICE PART		1	
852	-----	CLAMP PLATE	NO SERVICE PART		1	
853	-----	SCREW	NO SERVICE PART		2	
854	-----	PICK-UP BASE	NO SERVICE PART		1	
855	-----	DAMPER PIN	NO SERVICE PART		3	
856	-----	DAMPER SPRING L	NO SERVICE PART		2	
857	-----	DAMPER L	NO SERVICE PART		2	
858	-----	RIBBAND	NO SERVICE PART		1	
859	-----	TURN TABLE	NO SERVICE PART		1	
860	-----	SPINDER MOTOR	NO SERVICE PART		1	
861	-----	SLED GEAR SHAFT	NO SERVICE PART		1	
862	-----	DAMPER SPRING B	NO SERVICE PART		1	
863	-----	SLED GEAR	NO SERVICE PART		1	
864	-----	DAMPER B	NO SERVICE PART		1	
865	-----	SCREW	NO SERVICE PART		1	
866	-----	SWITCK	NO SERVICE PART		2	
867	-----	PCB	NO SERVICE PART		1	
868	-----	LEAD	NO SERVICE PART		1	
869	-----	LEAD	NO SERVICE PART		1	
870	-----	TOP COVER	NO SERVICE PART		1	
871	-----	DISC ARM L	NO SERVICE PART		1	
872	-----	DISC ARM SPRING	NO SERVICE PART		1	
873	-----	DISC ARM R	NO SERVICE PART		1	
874	-----	DISC ARM LOCKER SP RING	NO SERVICE PART		1	
875	-----	DISC ARM LOCKER	NO SERVICE PART		1	
876	-----	TOP GUIDE	NO SERVICE PART		1	
877	-----	ROLLER L	NO SERVICE PART		2	
878	-----	ROLLER SHAFT	NO SERVICE PART		2	
879	-----	ROLLER GEAR	NO SERVICE PART		1	
880	-----	ROLLER SHAFT	NO SERVICE PART		1	
881	-----	SCREW	NO SERVICE PART		1	
882	-----	PROTSCT COVER	NO SERVICE PART		2	
883	-----	UP LEVER	NO SERVICE PART		1	
884	-----	WASHER	NO SERVICE PART		2	
885	-----	WASHER	NO SERVICE PART		2	

MODEL	MARK	MODEL	MARK	MODEL	MARK	MODEL	MARK
KW-V120BTK	A	KW-V120MM2	B	KW-V220BTE	C	KW-V220BTK	D
KW-V220BTM	E	KW-V220BTMM2	F	KW-V220BTN	G	KW-V220BTQ	H
KW-V220BTR	I	KW-V220BTX	J				

Safe	Symbol No.	Parts No.	Parts Name	Description	QTY	Local
	886	-----	SUB CHUCK SPRING B RACHET	NO SERVICE PART	1	
	887	-----	SUB CHUCK SPRING	NO SERVICE PART	1	
	888	-----	TOP CUSHION	NO SERVICE PART	1	
	891	-----	SPACER(H)	NO SERVICE PART	1	
	892	-----	WIRE CLAMP	NO SERVICE PART	1	
	893	-----	DVD PROCESSOR U	NO SERVICE PART	1	

MODEL	MARK	MODEL	MARK	MODEL	MARK	MODEL	MARK
KW-V120BTK	A	KW-V120MM2	B	KW-V220BTE	C	KW-V220BTK	D
KW-V220BTM	E	KW-V220BTMM2	F	KW-V220BTN	G	KW-V220BTQ	H
KW-V220BTR	I	KW-V220BTX	J				

Safe	Symbol No.	Parts No.	Parts Name	Description	QTY	Local
------	------------	-----------	------------	-------------	-----	-------

MAIN PWB ASSY (XJ1-139x-xx) <XJ1>

IC80	TC7USB42FT	MOS IC	1	
IC81	TUSB211IRWB	MOS IC	1	
IC100	BH7673G-W	IC	1	
IC130	NJM2535V-X	IC	1	
IC131	NJM2535V-X	IC	1	
IC132	NJM2561F1	BIPOLAR IC	1	
IC160	NJM11100F1	ANALOG IC	1	
IC161	NJM4565V-X	IC	1	
IC162	NJM4565V-X	IC	1	
IC163	NJM4565V-X	IC	1	
IC200	TC74HCT4053FT	MOS IC	1	
IC201	NJM2794V	BIPOLAR IC	1	
IC202	TC4052BFT	MOS IC	1	
IC220	NJM4565E	BIPOLAR IC	1	A,C,D,E,F,G,H,I,J
IC300	JCV8034	IC	1	
IC470	NJM2584AM-X	SV-ANALOGUE IC	1	E,F
IC500	MP9942AGJ	ANALOG IC	1	
IC501	BD00HA5WEFJ	ANALOG IC	1	
IC502	BD00HA5WEFJ	ANALOG IC	1	
IC540	MP9942AGJ	ANALOG IC	1	
IC580	LM3481MMX-X	IC	1	
IC600	TEF6657HN-X	IC	1	
IC720	W3F-0116-00	MCU IC	1	
IC820	R1EX24016ATAA-X	IC	1	
IC830	BU4824F-W	IC	1	
IC840	TC7SH17FUF	MOS IC	1	D,E,F
IC841	TC7SET08FU-J-X	IC(DIGITAL)	1	D,E,F
IC860	MP9942AGJ	ANALOG IC	1	
IC890	BD2242G-G	MOS IC	1	
IC900	LV5684NPVD	IC	1	
IC901	XC6201P502PR-X	IC	1	
Q200	LTC014YEBFS8	DIGI TRANSISTOR	1	
Q201	LTC014YEBFS8	DIGI TRANSISTOR	1	
Q220	LSCR523EBFS8	TRANSISTOR	1	A,C,D,E,F,G,H,I,J
Q250	LTC043TUB-X	DIGI TRANSISTOR	1	
Q251	LTC043TUB-X	DIGI TRANSISTOR	1	
Q270	LTA043ZUB-X	DIGI TRANSISTOR	1	
Q280	LTC043TEB-X	DIGI TRANSISTOR	1	
Q281	LTA043EEBFS8	DIGI TRANSISTOR	1	
Q284	LTC043TEB-X	DIGI TRANSISTOR	1	
Q285	LTC043TEB-X	DIGI TRANSISTOR	1	
Q286	LTC043TEB-X	DIGI TRANSISTOR	1	
Q287	LTC043TEB-X	DIGI TRANSISTOR	1	
Q288	LTC043TEB-X	DIGI TRANSISTOR	1	
Q289	LTC043TEB-X	DIGI TRANSISTOR	1	
Q320	LTC043TUB-X	DIGI TRANSISTOR	1	
Q330	LTC043TUB-X	DIGI TRANSISTOR	1	
Q340	LTC043TUB-X	DIGI TRANSISTOR	1	
Q350	LTC043TUB-X	DIGI TRANSISTOR	1	
Q360	LSCR523EBFS8	TRANSISTOR	1	
Q410	LSAR523EBFS8	TRANSISTOR	1	
Q411	LSCR523EBFS8	TRANSISTOR	1	
Q412	LTA014YEBFS8	DIGI TRANSISTOR	1	
Q413	LTC024EEB-X	DIGI TRANSISTOR	1	
Q540	LTC014YEBFS8	DIGI TRANSISTOR	1	
Q580	RTQ035N03-W	MOS FET	1	
Q720	LSAR523UBFS8	TRANSISTOR	1	
Q830	LTA014EEBFS8	DIGI TRANSISTOR	1	
Q831	LTC014YEBFS8	DIGI TRANSISTOR	1	
Q832	LTC014YEBFS8	DIGI TRANSISTOR	1	
Q920	LTA014EEBFS8	DIGI TRANSISTOR	1	
Q921	LTC044EEBFS8	DIGI TRANSISTOR	1	
Q922	MTM98140-X	TRANSISTOR	1	
Q950	LTC014YEBFS8	DIGI TRANSISTOR	1	
Q951	LSCR523UBFS8	TRANSISTOR	1	
Q952	LSAR523UBFS8	TRANSISTOR	1	
Q970	LTC014YEBFS8	DIGI TRANSISTOR	1	
Q971	LTC014YEBFS8	DIGI TRANSISTOR	1	
Q972	LSCR523EBFS8	TRANSISTOR	1	
Q973	LSAR523EBFS8	TRANSISTOR	1	
Q974	LSCR523EBFS8	TRANSISTOR	1	
Q975	LTA014TUB-X	DIGI TRANSISTOR	1	
Q976	LSAR523EBFS8	TRANSISTOR	1	
Q990	RE1C002ZP-X	MOS FET	1	B,E,F,G,J
Q991	RE1C002ZP-X	MOS FET	1	B,E,F,G,J
Q992	LTC014YEBFS8	DIGI TRANSISTOR	1	B,E,F,G,J
Q1010	LTC014YEBFS8	DIGI TRANSISTOR	1	
D60	1N5402-BPC07	DIODE	1	
D220	DZ2J056M	ZENER DIODE	1	A,C,D,E,F,G,H,I,J
D270	DAP202U-X	SI DIODE	1	
D271	DAP202U-X	SI DIODE	1	
D290	DA2J101	DIODE	1	
D291	DA2J101	DIODE	1	
D380	MBRX130	SCHOTTKY DIODE	1	A,B,D,E,F,G,I,J
D381	MBRX130	SCHOTTKY DIODE	1	A,B,D,E,F,G,I,J
D382	MBRX130	SCHOTTKY DIODE	1	
D383	MBRX130	SCHOTTKY DIODE	1	
D400	DZ2J062M	ZENER DIODE	1	

MODEL	MARK	MODEL	MARK	MODEL	MARK	MODEL	MARK
KW-V120BTK	A	KW-V120MM2	B	KW-V220BTE	C	KW-V220BTK	D
KW-V220BTM	E	KW-V220BTMM2	F	KW-V220BTN	G	KW-V220BTQ	H
KW-V220BTR	I	KW-V220BTX	J				

Safe	Symbol No.	Parts No.	Parts Name	Description	QTY	Local
	D410	DA2J101	DIODE		1	
	D411	DA2J101	DIODE		1	
	D500	MBRX130	SCHOTTKY DIODE		1	
	D501	MBRX130	SCHOTTKY DIODE		1	
	D540	DA2J101	DIODE		1	
	D541	DA2J101	DIODE		1	
	D580	RB160L-40	SCHOTTKY DIODE		1	
	D581	DA2J101	DIODE		1	
	D582	DA2J101	DIODE		1	
	D830	DA2J101	DIODE		1	
	D900	MBRX130	SCHOTTKY DIODE		1	
	D901	SK34A-L-X	SB DIODE		1	
	D920	DZ2J180M	ZENER DIODE		1	
	D950	DZ2J062M	ZENER DIODE		1	
	D951	DZ2J180M	ZENER DIODE		1	
	D970	DZ2J062M	ZENER DIODE		1	
	D990	DA2J101	DIODE		1	B,E,F,G,J
	D991	DA2J101	DIODE		1	B,E,F,G,J
	C60	CK73GBB1H221K	C CAPACITOR	220pF 50V K	1	
	C61	CK73GBB1H221K	C CAPACITOR	220pF 50V K	1	
	C62	CK73GBB1H221K	C CAPACITOR	220pF 50V K	1	
	C63	CK73GBB1H221K	C CAPACITOR	220pF 50V K	1	
	C68	CK73GBB1H221K	C CAPACITOR	220pF 50V K	1	
	C69	CK73GBB1H221K	C CAPACITOR	220pF 50V K	1	
	C70	CK73GBB1H221K	C CAPACITOR	220pF 50V K	1	
	C71	CK73GBB1H221K	C CAPACITOR	220pF 50V K	1	
	C72	CD04EU1C222M2	E CAPACITOR	2200uF 16V M	1	
	C80	CK73HBB1H472K	C CAPACITOR	4700pF 50V K	1	
	C81	CK73HBB1H471K	C CAPACITOR	470pF 50V K	1	
	C82	CK73HBB1C103K	C CAPACITOR	0.01uF 16V K	1	
	C83	CK73FXR0J106K	C CAPACITOR	10uF 6.3V K	1	
	C87	CK73HBB1A104K	C CAPACITOR	0.1uF 10V K	1	
	C100	CK73GBB1C105K	C CAPACITOR	1uF 16V K	1	
	C102	CK73GXR0J106M	C CAPACITOR	10uF 6.3V M	1	
	C104	CK73GBB1C105K	C CAPACITOR	1uF 16V K	1	
	C105	CK73HBB1H102K	C CAPACITOR	1000pF 50V K	1	
	C106	CK73HBB1H102K	C CAPACITOR	1000pF 50V K	1	
	C107	CK73HBB1A104K	C CAPACITOR	0.1uF 10V K	1	
	C108	CK73GBB1C105K	C CAPACITOR	1uF 16V K	1	
	C109	CK73GBB1C105K	C CAPACITOR	1uF 16V K	1	
	C131	CK73GBB1C104K	C CAPACITOR	0.1uF 16V K	1	
	C132	CK73GBB1C105K	C CAPACITOR	1uF 16V K	1	
	C133	CK73GBB1C105K	C CAPACITOR	1uF 16V K	1	
	C134	CK73HBB1A104K	C CAPACITOR	0.1uF 10V K	1	
	C135	CD04BN1A471M	E CAPACITOR	470uF 10V M	1	
	C136	CK73GBB1C104K	C CAPACITOR	0.1uF 16V K	1	
	C137	CK73GBB1C105K	C CAPACITOR	1uF 16V K	1	
	C138	CK73HBB1A104K	C CAPACITOR	0.1uF 10V K	1	
	C139	CK73GBB1C105K	C CAPACITOR	1uF 16V K	1	
	C160	CC73HCH1H330J	C CAPACITOR	33pF 50V J	1	
	C161	CK73FXR1C106K	C CAPACITOR	10uF 16V K	1	
	C162	CK73FXR1C106K	C CAPACITOR	10uF 16V K	1	
	C163	CC73HCH1H391J	C CAPACITOR	390pF 50V J	1	
	C164	CK73FXR1C106K	C CAPACITOR	10uF 16V K	1	
	C165	CK73FXR1C106K	C CAPACITOR	10uF 16V K	1	
	C166	CK73FXR1C106K	C CAPACITOR	10uF 16V K	1	
	C167	CK73FXR1C106K	C CAPACITOR	10uF 16V K	1	
	C168	CK73GBB1H103K	C CAPACITOR	0.01uF 50V K	1	
	C169	CK73FXR0J106K	C CAPACITOR	10uF 6.3V K	1	
	C170	CK73FXR0J106K	C CAPACITOR	10uF 6.3V K	1	
	C171	CD04AS1C470M	E CAPACITOR	47uF 16V M	1	
	C172	CC73HCH1H330J	C CAPACITOR	33pF 50V J	1	
	C173	CC73HCH1H391J	C CAPACITOR	390pF 50V J	1	
	C174	CK73FXR0J106K	C CAPACITOR	10uF 6.3V K	1	
	C175	CK73GXR1H104K	C CAPACITOR	0.1uF 50V K	1	
	C176	CC73HCH1H330J	C CAPACITOR	33pF 50V J	1	
	C177	CC73HCH1H391J	C CAPACITOR	390pF 50V J	1	
	C178	CC73HCH1H330J	C CAPACITOR	33pF 50V J	1	
	C179	CC73HCH1H391J	C CAPACITOR	390pF 50V J	1	
	C180	CK73FXR0J106K	C CAPACITOR	10uF 6.3V K	1	
	C181	CK73GXR1H104K	C CAPACITOR	0.1uF 50V K	1	
	C182	CC73HCH1H330J	C CAPACITOR	33pF 50V J	1	
	C183	CC73HCH1H391J	C CAPACITOR	390pF 50V J	1	
	C184	CC73HCH1H330J	C CAPACITOR	33pF 50V J	1	
	C185	CC73HCH1H391J	C CAPACITOR	390pF 50V J	1	
	C186	CK73FXR0J106K	C CAPACITOR	10uF 6.3V K	1	
	C187	CK73GXR1H104K	C CAPACITOR	0.1uF 50V K	1	
	C188	CC73HCH1H101J	C CAPACITOR	100pF 50V J	1	
	C189	CK73EXR1C106K	C CAPACITOR	10uF 16V K	1	
	C190	CK73EXR1C106K	C CAPACITOR	10uF 16V K	1	
	C191	CK73EXR1C106K	C CAPACITOR	10uF 16V K	1	
	C200	CK73GBB1H104K	C CAPACITOR	0.1uF 50V K	1	
	C201	CK73FXR1C106K	C CAPACITOR	10uF 16V K	1	
	C202	CK73HBB1C104K	C CAPACITOR	0.1uF 16V K	1	
	C203	CK73GXR0J106M	C CAPACITOR	10uF 6.3V M	1	
	C204	CK73GXR0J106M	C CAPACITOR	10uF 6.3V M	1	
	C205	CK73GBB1C105K	C CAPACITOR	1uF 16V K	1	
	C206	CK73GBB1C105K	C CAPACITOR	1uF 16V K	1	
	C207	CK73GBB1C105K	C CAPACITOR	1uF 16V K	1	
	C208	CK73HBB1A104K	C CAPACITOR	0.1uF 10V K	1	

MODEL	MARK	MODEL	MARK	MODEL	MARK	MODEL	MARK
KW-V120BTK	A	KW-V120MM2	B	KW-V220BTE	C	KW-V220BTK	D
KW-V220BTM	E	KW-V220BTMM2	F	KW-V220BTN	G	KW-V220BTQ	H
KW-V220BTR	I	KW-V220BTX	J				

Safe	Symbol No.	Parts No.	Parts Name	Description	QTY	Local
	C209	CK73FXR1C106K	C CAPACITOR	10uF 16V K	1	
	C210	CK73FXR1C106K	C CAPACITOR	10uF 16V K	1	
	C220	CK73GBB1A105K	C CAPACITOR	1uF 10V K	1	A,C,D,E,F,G,H,I,J
	C223	CK73HBB1A273K	C CAPACITOR	0.027uF 10V K	1	A,C,D,E,F,G,H,I,J
	C224	CK73HBB1A273K	C CAPACITOR	0.027uF 10V K	1	A,C,D,E,F,G,H,I,J
	C225	CK73GBB1C105K	C CAPACITOR	1uF 16V K	1	A,C,D,E,F,G,H,I,J
	C226	CK73GBB1C105K	C CAPACITOR	1uF 16V K	1	A,C,D,E,F,G,H,I,J
	C227	CD04AS1C220M	E CAPACITOR	22uF 16V M	1	A,C,D,E,F,G,H,I,J
	C228	CK73HBB1H331K	C CAPACITOR	330pF 50V K	1	A,C,D,E,F,G,H,I,J
	C229	CC73HCH1H220J	C CAPACITOR	22pF 50V J	1	A,C,D,E,F,G,H,I,J
	C230	CK73HBB1H331K	C CAPACITOR	330pF 50V K	1	A,C,D,E,F,G,H,I,J
	C231	CD04AS1C220M	E CAPACITOR	22uF 16V M	1	A,C,D,E,F,G,H,I,J
	C232	CK73GBB1C104K	C CAPACITOR	0.1uF 16V K	1	A,C,D,E,F,G,H,I,J
	C233	CK73HBB1C333K	C CAPACITOR	0.033uF 16V K	1	A,C,D,E,F,G,H,I,J
	C234	CK73GBB1C105K	C CAPACITOR	1uF 16V K	1	A,C,D,E,F,G,H,I,J
	C235	CK73HBB1C333K	C CAPACITOR	0.033uF 16V K	1	A,C,D,E,F,G,H,I,J
	C236	CK73GBB1C105K	C CAPACITOR	1uF 16V K	1	A,C,D,E,F,G,H,I,J
	C241	CK73HBB1C103K	C CAPACITOR	0.01uF 16V K	1	A,C,D,E,F,G,H,I,J
	C242	CK73GBB1C105K	C CAPACITOR	1uF 16V K	1	A,C,D,E,F,G,H,I,J
	C250	CK730DK1E106K	C CAPACITOR	10uF 25V K	1	
	C251	CK730DK1E106K	C CAPACITOR	10uF 25V K	1	
	C270	CK73GBB1H104K	C CAPACITOR	0.1uF 50V K	1	
	C279	CK73FXR0J106K	C CAPACITOR	10uF 6.3V K	1	
	C280	CK73FXR0J106K	C CAPACITOR	10uF 6.3V K	1	
	C290	CC73HCH1E301J	C CAPACITOR	300pF 25V J	1	
	C291	CK73GXR0J475K	C CAPACITOR	4.7uF 6.3V K	1	
	C292	CC73HCH1E301J	C CAPACITOR	300pF 25V J	1	
	C293	CK73GXR0J475K	C CAPACITOR	4.7uF 6.3V K	1	
	C294	CC73HCH1E301J	C CAPACITOR	300pF 25V J	1	
	C295	CK73GXR0J475K	C CAPACITOR	4.7uF 6.3V K	1	
	C296	CC73HCH1E301J	C CAPACITOR	300pF 25V J	1	
	C297	CK73GXR0J475K	C CAPACITOR	4.7uF 6.3V K	1	
	C298	CC73HCH1E301J	C CAPACITOR	300pF 25V J	1	
	C299	CK73GXR0J475K	C CAPACITOR	4.7uF 6.3V K	1	
	C300	CK73GBB1C105K	C CAPACITOR	1uF 16V K	1	
	C301	QE20982-476Z	E CAPACITOR	47uF	1	
	C302	CK73GBB1C224K	C CAPACITOR	0.22uF 16V K	1	
	C303	CK73GBB1C224K	C CAPACITOR	0.22uF 16V K	1	
	C304	CK73GBB1C224K	C CAPACITOR	0.22uF 16V K	1	
	C305	CK73GBB1C224K	C CAPACITOR	0.22uF 16V K	1	
	C306	CK73GBB1C224K	C CAPACITOR	0.22uF 16V K	1	
	C307	CK73GBB1A684K	C CAPACITOR	0.68uF 10V K	1	
	C308	CK73GBB1C105K	C CAPACITOR	1uF 16V K	1	
	C313	CC73HCH1E301J	C CAPACITOR	300pF 25V J	1	
	C314	CK73GXR0J475K	C CAPACITOR	4.7uF 6.3V K	1	
	C320	CK730DK1E106K	C CAPACITOR	10uF 25V K	1	
	C330	CK730DK1E106K	C CAPACITOR	10uF 25V K	1	
	C340	CK730DK1E106K	C CAPACITOR	10uF 25V K	1	
	C350	CK730DK1E106K	C CAPACITOR	10uF 25V K	1	
	C352	CK73HBB1H332K	C CAPACITOR	3300pF 50V K	1	
	C353	CC73HCH1H101J	C CAPACITOR	100pF 50V J	1	
	C360	CK73HXR0J105K	C CAPACITOR	1uF 6.3V K	1	
	C361	CK73HBB1E103K	C CAPACITOR	0.01uF 25V K	1	
	C410	CK73GBB0J225K	C CAPACITOR	2.2uF 6.3V K	1	
	C412	CK73HBB1E103K	C CAPACITOR	0.01uF 25V K	1	
	C470	CK73GXR1A105K	C CAPACITOR	1uF 10V K	1	E,F
	C471	CK73HXR0J105K	C CAPACITOR	1uF 6.3V K	1	E,F
	C472	CK73GXR0J106M	C CAPACITOR	10uF 6.3V M	1	
	C473	CK73HBB1A104K	C CAPACITOR	0.1uF 10V K	1	E,F
	C474	CK73GXR1A105K	C CAPACITOR	1uF 10V K	1	E,F
	C475	CK73HXR0J105K	C CAPACITOR	1uF 6.3V K	1	E,F
	C476	CK73GXR1A105K	C CAPACITOR	1uF 10V K	1	E,F
	C477	CK73HXR0J105K	C CAPACITOR	1uF 6.3V K	1	E,F
	C480	CK73GBB1H223K	C CAPACITOR	0.022uF 50V K	1	
	C485	CK73HBB1E103K	C CAPACITOR	0.01uF 25V K	1	
	C486	CK73HBB1A104K	C CAPACITOR	0.1uF 10V K	1	
	C487	CK73GXR0J106M	C CAPACITOR	10uF 6.3V M	1	
	C489	CK73HBB1E103K	C CAPACITOR	0.01uF 25V K	1	
	C490	CK73HBB1A104K	C CAPACITOR	0.1uF 10V K	1	
	C491	CK73GXR0J106M	C CAPACITOR	10uF 6.3V M	1	
	C492	CD04BN1C101M	E CAPACITOR	100uF 16V M	1	
	C493	CK73HBB1E103K	C CAPACITOR	0.01uF 25V K	1	
	C494	CK73HBB1A104K	C CAPACITOR	0.1uF 10V K	1	
	C495	CK73FXR1C106K	C CAPACITOR	10uF 16V K	1	
	C500	CK730BY1E106K	C CAPACITOR	10uF 25V K	1	
	C501	CK73GBB1H104K	C CAPACITOR	0.1uF 50V K	1	
	C503	CK73HBB1C104K	C CAPACITOR	0.1uF 16V K	1	
	C504	CK73HBB1C104K	C CAPACITOR	0.1uF 16V K	1	
	C505	CC73HCH1H120J	C CAPACITOR	12pF 50V J	1	
	C506	CK73HBB1H102K	C CAPACITOR	1000pF 50V K	1	
	C507	CK73FXR1C106K	C CAPACITOR	10uF 16V K	1	
	C508	CD04BN1C221M	E CAPACITOR	220uF 16V M	1	
	C509	CK73FXR1C106K	C CAPACITOR	10uF 16V K	1	
	C510	CK73FXR1C106K	C CAPACITOR	10uF 16V K	1	
	C511	CK73GBB1H104K	C CAPACITOR	0.1uF 50V K	1	
	C512	CK73FXR1C106K	C CAPACITOR	10uF 16V K	1	
	C513	CK73FXR1C106K	C CAPACITOR	10uF 16V K	1	
	C514	CK73GBB1H104K	C CAPACITOR	0.1uF 50V K	1	

MODEL	MARK	MODEL	MARK	MODEL	MARK	MODEL	MARK
KW-V120BTK	A	KW-V120MM2	B	KW-V220BTE	C	KW-V220BTK	D
KW-V220BTM	E	KW-V220BTMM2	F	KW-V220BTN	G	KW-V220BTQ	H
KW-V220BTR	I	KW-V220BTX	J				

Safe	Symbol No.	Parts No.	Parts Name	Description	QTY	Local
	C540	CK730BY1E106K	C CAPACITOR	10uF 25V K	1	
	C541	CK73GBB1H104K	C CAPACITOR	0.1uF 50V K	1	
	C543	CK73HBB1C104K	C CAPACITOR	0.1uF 16V K	1	
	C544	CK73HBB1C104K	C CAPACITOR	0.1uF 16V K	1	
	C545	CC73HCH1H150J	C CAPACITOR	15pF 50V J	1	
	C546	CK73HBB1H102K	C CAPACITOR	1000pF 50V K	1	
	C547	CK73FXR1C106K	C CAPACITOR	10uF 16V K	1	
	C548	CD04BN1C221M	E CAPACITOR	220uF 16V M	1	
	C580	CK730BY1E106K	C CAPACITOR	10uF 25V K	1	
	C581	CK730BY1E106K	C CAPACITOR	10uF 25V K	1	
	C582	CK73HBB1H391K	C CAPACITOR	390pF 50V K	1	
	C583	CK73HBB1C104K	C CAPACITOR	0.1uF 16V K	1	
	C584	CK73HBB1H102K	C CAPACITOR	1000pF 50V K	1	
	C585	CK73HBB1H821K	C CAPACITOR	820pF 50V K	1	
	C586	CK73GBB1C105K	C CAPACITOR	1uF 16V K	1	
	C587	CK73GBB1H104K	C CAPACITOR	0.1uF 50V K	1	
	C588	CK730BY1E106K	C CAPACITOR	10uF 25V K	1	
	C589	CK730BY1E106K	C CAPACITOR	10uF 25V K	1	
	C590	CD04CZ1E101M	E CAPACITOR	100uF 25V M	1	
	C600	CK73GBB1H103K	C CAPACITOR	0.01uF 50V K	1	
	C601	CK73GBB1H104K	C CAPACITOR	0.1uF 50V K	1	
	C602	CK73GXR0J106M	C CAPACITOR	10uF 6.3V M	1	
	C606	CC73GCH1H330J	C CAPACITOR	33pF 50V J	1	
	C609	CC73GCH1H220J	C CAPACITOR	22pF 50V J	1	
	C615	CK73GBB1H103K	C CAPACITOR	0.01uF 50V K	1	
	C617	CK73GBB1H102K	C CAPACITOR	1000pF 50V K	1	
	C618	CC73GCH1H120J	C CAPACITOR	12pF 50V J	1	
△	C621	CC73GCH1H010C	C CAPACITOR	1pF 50V C	1	
△	C622	CC73GCH1H010C	C CAPACITOR	1pF 50V C	1	
	C623	CK73GXR1H104K	C CAPACITOR	0.1uF 50V K	1	
	C625	CK73GBB1C224K	C CAPACITOR	0.22uF 16V K	1	
	C626	CK73GBB1H102K	C CAPACITOR	1000pF 50V K	1	
	C627	CK73GXR1H104K	C CAPACITOR	0.1uF 50V K	1	
	C628	CC73GCH1H090D	C CAPACITOR	9pF 50V D	1	
	C629	CK73EXR1C106K	C CAPACITOR	10uF 16V K	1	
	C630	CK73EXR1C106K	C CAPACITOR	10uF 16V K	1	
	C631	CK73GXR1H104K	C CAPACITOR	0.1uF 50V K	1	
	C632	CK73GBB1H102K	C CAPACITOR	1000pF 50V K	1	
	C634	CK73GBB1H152K	C CAPACITOR	1500pF 50V K	1	
	C640	CK73FXR0J106K	C CAPACITOR	10uF 6.3V K	1	
	C641	CK73GXR1H104K	C CAPACITOR	0.1uF 50V K	1	
	C643	CK73FXR0J106K	C CAPACITOR	10uF 6.3V K	1	
	C645	CK73GBB1C105K	C CAPACITOR	1uF 16V K	1	
	C646	CK73GBB1C105K	C CAPACITOR	1uF 16V K	1	
	C720	CK73GXR0J106M	C CAPACITOR	10uF 6.3V M	1	
	C721	CK73HBB1H222K	C CAPACITOR	2200pF 50V K	1	
	C727	CK73HBB1E103K	C CAPACITOR	0.01uF 25V K	1	
	C728	CK73HBB1E103K	C CAPACITOR	0.01uF 25V K	1	
	C730	CK73HBB1E103K	C CAPACITOR	0.01uF 25V K	1	
	C731	CK73HBB1E103K	C CAPACITOR	0.01uF 25V K	1	
	C732	CK73HXR0J105K	C CAPACITOR	1uF 6.3V K	1	
	C733	CK73HXR0J105K	C CAPACITOR	1uF 6.3V K	1	
	C734	CK73GBB1C103K	C CAPACITOR	0.01uF 16V K	1	
	C737	CK73GBB1H104K	C CAPACITOR	0.1uF 50V K	1	
	C738	CK73GXR1H104K	C CAPACITOR	0.1uF 50V K	1	
	C739	CK73HBB1A104K	C CAPACITOR	0.1uF 10V K	1	
	C740	CC73GCH1H330J	C CAPACITOR	33pF 50V J	1	
	C741	CC73GCH1H330J	C CAPACITOR	33pF 50V J	1	
	C742	CC73HCH1H100D	C CAPACITOR	10pF 50V D	1	
	C743	CC73HCH1H120J	C CAPACITOR	12pF 50V J	1	
	C820	CK73HBB1E103K	C CAPACITOR	0.01uF 25V K	1	
	C831	CK73HBB1E103K	C CAPACITOR	0.01uF 25V K	1	
	C832	CK73HXR0J105K	C CAPACITOR	1uF 6.3V K	1	
	C833	CK73HBB1E103K	C CAPACITOR	0.01uF 25V K	1	
	C840	CK73HBB1C104K	C CAPACITOR	0.1uF 16V K	1	D,E,F
	C841	CK73HBB1C104K	C CAPACITOR	0.1uF 16V K	1	D,E,F
	C860	CK730BY1E106K	C CAPACITOR	10uF 25V K	1	
	C861	CK73GBB1H104K	C CAPACITOR	0.1uF 50V K	1	
	C863	CK73HBB1C104K	C CAPACITOR	0.1uF 16V K	1	
	C864	CK73HBB1C104K	C CAPACITOR	0.1uF 16V K	1	
	C865	CC73HCH1H101J	C CAPACITOR	100pF 50V J	1	
	C866	CK73HBB1H102K	C CAPACITOR	1000pF 50V K	1	
	C867	CK73GXR0J106M	C CAPACITOR	10uF 6.3V M	1	
	C868	QEZ0852-337Z	E CAPACITOR	330uF	1	
	C890	CK73HBB1A104K	C CAPACITOR	0.1uF 10V K	1	
	C891	CK73HBB1A104K	C CAPACITOR	0.1uF 10V K	1	
	C900	CK73FBB1H224K	C CAPACITOR	0.22uF 50V K	1	
	C901	CD04AR1C471M	E CAPACITOR	470uF 16V M	1	
	C902	CK73FBB1H224K	C CAPACITOR	0.22uF 50V K	1	
	C903	CD04CZ1E101M	E CAPACITOR	100uF 25V M	1	
	C904	CK73GXR0J106M	C CAPACITOR	10uF 6.3V M	1	
	C905	CD04AS1C470M	E CAPACITOR	47uF 16V M	1	
	C906	CK73FXR0J226M	C CAPACITOR	22uF 6.3V M	1	
	C907	QEZ0852-337Z	E CAPACITOR	330uF	1	
	C908	CK73FXR1C106K	C CAPACITOR	10uF 16V K	1	
	C909	CK73FXR0J226M	C CAPACITOR	22uF 6.3V M	1	
	C910	CK73FXR1C106K	C CAPACITOR	10uF 16V K	1	
	C911	CK730BY1E106K	C CAPACITOR	10uF 25V K	1	
	C912	CK730BY1E106K	C CAPACITOR	10uF 25V K	1	
	C913	CK73GBB1C105K	C CAPACITOR	1uF 16V K	1	

MODEL	MARK	MODEL	MARK	MODEL	MARK	MODEL	MARK
KW-V120BTK	A	KW-V120MM2	B	KW-V220BTE	C	KW-V220BTK	D
KW-V220BTM	E	KW-V220BTMM2	F	KW-V220BTN	G	KW-V220BTQ	H
KW-V220BTR	I	KW-V220BTX	J				

Safe	Symbol No.	Parts No.	Parts Name	Description	QTY	Local
	C914	CK73GBB1C105K	C CAPACITOR	1uF 16V K	1	
	C915	CD04BN1C221M	E CAPACITOR	220uF 16V M	1	
	C920	CK73FBB1H334K	C CAPACITOR	0.33uF 50V K	1	
	C950	CK73HBB1H103K	C CAPACITOR	0.01uF 50V K	1	
	C951	CK73FBB1H334K	C CAPACITOR	0.33uF 50V K	1	
	C1010	CK73FXR1C106K	C CAPACITOR	10uF 16V K	1	
	C1011	CC73HCH1H330J	C CAPACITOR	33pF 50V J	1	
	C1012	CC73HCH1H330J	C CAPACITOR	33pF 50V J	1	
	C1013	CK73FXR1C106K	C CAPACITOR	10uF 16V K	1	
	C1014	CK73FXR1C106K	C CAPACITOR	10uF 16V K	1	
	C1015	CC73HCH1H330J	C CAPACITOR	33pF 50V J	1	
	C1016	CC73HCH1H330J	C CAPACITOR	33pF 50V J	1	
	C1017	CK73FXR1C106K	C CAPACITOR	10uF 16V K	1	
	C1018	CK73FXR1C106K	C CAPACITOR	10uF 16V K	1	
	C1019	CC73HCH1H330J	C CAPACITOR	33pF 50V J	1	
	C1020	CC73HCH1H330J	C CAPACITOR	33pF 50V J	1	
	C1021	CK73FXR1C106K	C CAPACITOR	10uF 16V K	1	
	C1025	CC73HCH1H050C	C CAPACITOR	5pF 50V C	1	
	C1026	CC73HCH1H050C	C CAPACITOR	5pF 50V C	1	
	C1027	CC73HCH1H050C	C CAPACITOR	5pF 50V C	1	
	C1031	CK73HBB1H472K	C CAPACITOR	4700pF 50V K	1	
	C1032	CK73HBB1H472K	C CAPACITOR	4700pF 50V K	1	
	C1033	CK73HXR0J105K	C CAPACITOR	1uF 6.3V K	1	
	C1034	CK73HXR0J105K	C CAPACITOR	1uF 6.3V K	1	
	C1035	CK73HXR0J105K	C CAPACITOR	1uF 6.3V K	1	
	C1036	CK73HBB1H472K	C CAPACITOR	4700pF 50V K	1	
	C1043	CK73GBB1H471K	C CAPACITOR	470pF 50V K	1	
	C1045	CK73GBB1H472K	C CAPACITOR	4700pF 50V K	1	
	C1046	CK73GBB1H104K	C CAPACITOR	0.1uF 50V K	1	
	C1047	CK73GBB1H104K	C CAPACITOR	0.1uF 50V K	1	
	C1051	CK73GBB1H472K	C CAPACITOR	4700pF 50V K	1	
	C1055	CK73GBB1H472K	C CAPACITOR	4700pF 50V K	1	
	C1058	CK73GBB1H104K	C CAPACITOR	0.1uF 50V K	1	
	C1061	CK73GBB1H103K	C CAPACITOR	0.01uF 50V K	1	
	C1065	CK73GBB1H104K	C CAPACITOR	0.1uF 50V K	1	
	C1066	CK73GBB1H104K	C CAPACITOR	0.1uF 50V K	1	
	C1067	CC73GCH1H221J	C CAPACITOR	220pF 50V J	1	
	C1068	CK73GBB1H223K	C CAPACITOR	0.022uF 50V K	1	
	C1069	CK73GBB1H223K	C CAPACITOR	0.022uF 50V K	1	
	C1070	CK73GBB1H104K	C CAPACITOR	0.1uF 50V K	1	
	C1074	CK73GBB1H103K	C CAPACITOR	0.01uF 50V K	1	
	C1076	CC73GCH1H101J	C CAPACITOR	100pF 50V J	1	
	C1077	CK73GBB1H104K	C CAPACITOR	0.1uF 50V K	1	
	C1080	CK73GBB1H471K	C CAPACITOR	470pF 50V K	1	
	C1081	CK73GBB1H471K	C CAPACITOR	470pF 50V K	1	
	C1082	CK73GBB1H104K	C CAPACITOR	0.1uF 50V K	1	
	C1086	CK73GBB1H104K	C CAPACITOR	0.1uF 50V K	1	
	C1087	CK73HBB1C104K	C CAPACITOR	0.1uF 16V K	1	
	C1088	CK73HBB1C104K	C CAPACITOR	0.1uF 16V K	1	
	C1089	CK73HXR1A105K	C CAPACITOR	1uF 10V K	1	
	C1090	CK73HBB1C103K	C CAPACITOR	0.01uF 16V K	1	
	C1091	CK73GBB1C473K	C CAPACITOR	0.047uF 16V K	1	
	C1092	CK73GBB1H333K	C CAPACITOR	0.033uF 50V K	1	
	C1093	CK73GBB1H333K	C CAPACITOR	0.033uF 50V K	1	
	R80	RK73GB2A222J	MG RESISTOR	2.2kΩ 1/10W J	1	
	R101	RK73HB1J332J	MG RESISTOR	3.3kΩ 1/16W J	1	
	R102	RK73HB1J223J	MG RESISTOR	22kΩ 1/16W J	1	
	R103	RK73HB1J302J	MG RESISTOR	3kΩ 1/16W J	1	
	R105	RK73HB1J162J	MG RESISTOR	1.6kΩ 1/16W J	1	
	R106	RK73HB1J223J	MG RESISTOR	22kΩ 1/16W J	1	
	R107	RK73HB1J302J	MG RESISTOR	3kΩ 1/16W J	1	
	R108	RK73HB1J332J	MG RESISTOR	3.3kΩ 1/16W J	1	
	R110	RK73HB1J620J	MG RESISTOR	62Ω 1/16W J	1	
	R111	RK73HB1J100J	MG RESISTOR	10Ω 1/16W J	1	
	R112	RK73HB1J100J	MG RESISTOR	10Ω 1/16W J	1	
	R114	RK73GB2A4R7J	MG RESISTOR	4.7Ω 1/10W J	1	
	R115	RK73HB1J100J	MG RESISTOR	10Ω 1/16W J	1	
	R132	RK73HB1J105J	MG RESISTOR	1MΩ 1/16W J	1	
	R134	RK73GB2A100J	MG RESISTOR	10Ω 1/10W J	1	
	R135	RK73HH1J750D	MG RESISTOR	75Ω 1/16W D	1	
	R136	RK73GH2A750D	MG RESISTOR	75Ω 1/10W D	1	
	R137	RK73GB2A105J	MG RESISTOR	1MΩ 1/10W J	1	
	R160	RK73HH1J392D	MG RESISTOR	3.9kΩ 1/16W D	1	
	R161	RK73GB2A123J	MG RESISTOR	12kΩ 1/10W J	1	
	R162	RK73HB1J823J	MG RESISTOR	82kΩ 1/16W J	1	
	R163	RK73HB1J912J	MG RESISTOR	9.1kΩ 1/16W J	1	
	R164	RK73HB1J823J	MG RESISTOR	82kΩ 1/16W J	1	
	R165	RK73HH1J102D	MG RESISTOR	1kΩ 1/16W D	1	
	R166	RK73GB2A123J	MG RESISTOR	12kΩ 1/10W J	1	
	R167	RK73HB1J823J	MG RESISTOR	82kΩ 1/16W J	1	
	R168	RK73HB1J912J	MG RESISTOR	9.1kΩ 1/16W J	1	
	R169	RK73HB1J823J	MG RESISTOR	82kΩ 1/16W J	1	
	R170	RK73GB2A123J	MG RESISTOR	12kΩ 1/10W J	1	
	R171	RK73HB1J823J	MG RESISTOR	82kΩ 1/16W J	1	
	R172	RK73HB1J912J	MG RESISTOR	9.1kΩ 1/16W J	1	
	R173	RK73HB1J823J	MG RESISTOR	82kΩ 1/16W J	1	
	R174	RK73GB2A123J	MG RESISTOR	12kΩ 1/10W J	1	
	R175	RK73HB1J823J	MG RESISTOR	82kΩ 1/16W J	1	

MODEL	MARK	MODEL	MARK	MODEL	MARK	MODEL	MARK
KW-V120BTK	A	KW-V120MM2	B	KW-V220BTE	C	KW-V220BTK	D
KW-V220BTM	E	KW-V220BTMM2	F	KW-V220BTN	G	KW-V220BTQ	H
KW-V220BTR	I	KW-V220BTX	J				

Safe	Symbol No.	Parts No.	Parts Name	Description	QTY	Local
	R176	RK73HB1J912J	MG RESISTOR	9.1kΩ 1/16W J	1	
	R177	RK73HB1J823J	MG RESISTOR	82kΩ 1/16W J	1	
	R178	RK73GB2A123J	MG RESISTOR	12kΩ 1/10W J	1	
	R179	RK73HB1J823J	MG RESISTOR	82kΩ 1/16W J	1	
	R180	RK73HB1J912J	MG RESISTOR	9.1kΩ 1/16W J	1	
	R181	RK73HB1J823J	MG RESISTOR	82kΩ 1/16W J	1	
	R182	RK73GB2A123J	MG RESISTOR	12kΩ 1/10W J	1	
	R183	RK73HB1J823J	MG RESISTOR	82kΩ 1/16W J	1	
	R184	RK73HB1J912J	MG RESISTOR	9.1kΩ 1/16W J	1	
	R185	RK73HB1J823J	MG RESISTOR	82kΩ 1/16W J	1	
	R186	RK73GB2A472J	MG RESISTOR	4.7kΩ 1/10W J	1	
	R187	RK73GB2A472J	MG RESISTOR	4.7kΩ 1/10W J	1	
	R188	RK73GB2A472J	MG RESISTOR	4.7kΩ 1/10W J	1	
	R203	RK73HB1J000J	MG RESISTOR	0Ω 1/16W J	1	
	R204	RK73HB1J000J	MG RESISTOR	0Ω 1/16W J	1	
	R205	RK73HB1J103J	MG RESISTOR	10kΩ 1/16W J	1	
	R206	RK73HB1J103J	MG RESISTOR	10kΩ 1/16W J	1	
	R211	RK73HB1J103J	MG RESISTOR	10kΩ 1/16W J	1	
	R212	RK73HB1J153J	MG RESISTOR	15kΩ 1/16W J	1	
	R213	RK73HB1J104J	MG RESISTOR	100kΩ 1/16W J	1	
	R214	RK73HB1J104J	MG RESISTOR	100kΩ 1/16W J	1	
	R215	RK73HB1J104J	MG RESISTOR	100kΩ 1/16W J	1	
	R216	RK73HB1J104J	MG RESISTOR	100kΩ 1/16W J	1	
	R217	RK73GB2A104J	MG RESISTOR	100kΩ 1/10W J	1	
	R218	RK73GB2A104J	MG RESISTOR	100kΩ 1/10W J	1	
	R221	RK73GB2A222J	MG RESISTOR	2.2kΩ 1/10W J	1	A,C,D,E,F,G,H,I,J
	R223	RK73GB2A471J	MG RESISTOR	470Ω 1/10W J	1	A,C,D,E,F,G,H,I,J
	R224	RK73GB2A681J	MG RESISTOR	680Ω 1/10W J	1	A,C,D,E,F,G,H,I,J
	R225	RK73GB2A101J	MG RESISTOR	100Ω 1/10W J	1	A,C,D,E,F,G,H,I,J
	R226	RK73GB2A101J	MG RESISTOR	100Ω 1/10W J	1	A,C,D,E,F,G,H,I,J
	R227	RK73HB1J000J	MG RESISTOR	0Ω 1/16W J	1	A,C,D,E,F,G,H,I,J
	R228	RK73HB1J000J	MG RESISTOR	0Ω 1/16W J	1	A,C,D,E,F,G,H,I,J
	R229	RK73HB1J822J	MG RESISTOR	8.2kΩ 1/16W J	1	A,C,D,E,F,G,H,I,J
	R230	RK73GB2A512J	MG RESISTOR	5.1kΩ 1/10W J	1	A,C,D,E,F,G,H,I,J
	R231	RK73HB1J124J	MG RESISTOR	120kΩ 1/16W J	1	A,C,D,E,F,G,H,I,J
	R232	RK73HB1J122J	MG RESISTOR	1.2kΩ 1/16W J	1	A,C,D,E,F,G,H,I,J
	R233	RK73HB1J122J	MG RESISTOR	1.2kΩ 1/16W J	1	A,C,D,E,F,G,H,I,J
	R234	RK73HB1J124J	MG RESISTOR	120kΩ 1/16W J	1	A,C,D,E,F,G,H,I,J
	R235	RK73HB1J333J	MG RESISTOR	33kΩ 1/16W J	1	A,C,D,E,F,G,H,I,J
	R236	RK73HB1J822J	MG RESISTOR	8.2kΩ 1/16W J	1	A,C,D,E,F,G,H,I,J
	R237	RK73HB1J103J	MG RESISTOR	10kΩ 1/16W J	1	A,C,D,E,F,G,H,I,J
	R241	RK73HB1J103J	MG RESISTOR	10kΩ 1/16W J	1	A,C,D,E,F,G,H,I,J
	R250	RK73GB2A101J	MG RESISTOR	100Ω 1/10W J	1	A,C,D,E,F,G,H,I,J
	R251	RK73HB1J471J	MG RESISTOR	470Ω 1/16W J	1	
	R253	RK73HB1J223J	MG RESISTOR	22kΩ 1/16W J	1	
	R254	RK73HB1J223J	MG RESISTOR	22kΩ 1/16W J	1	
	R255	RK73HB1J471J	MG RESISTOR	470Ω 1/16W J	1	
	R256	RK73HB1J101J	MG RESISTOR	100Ω 1/16W J	1	
	R270	RK73HB1J331J	MG RESISTOR	330Ω 1/16W J	1	
	R271	RK73GB2A153J	MG RESISTOR	15kΩ 1/10W J	1	
	R279	RK73HB1J101J	MG RESISTOR	100Ω 1/16W J	1	
	R280	RK73GB2A471J	MG RESISTOR	470Ω 1/10W J	1	
	R282	RK73HB1J000J	MG RESISTOR	0Ω 1/16W J	1	
	R283	RK73HB1J103J	MG RESISTOR	10kΩ 1/16W J	1	
	R284	RK73HB1J000J	MG RESISTOR	0Ω 1/16W J	1	
	R285	RK73HB1J000J	MG RESISTOR	0Ω 1/16W J	1	
	R286	RK73HB1J000J	MG RESISTOR	0Ω 1/16W J	1	
	R287	RK73HB1J000J	MG RESISTOR	0Ω 1/16W J	1	
	R288	RK73HB1J000J	MG RESISTOR	0Ω 1/16W J	1	
	R289	RK73HB1J000J	MG RESISTOR	0Ω 1/16W J	1	
	R290	RK73HB1J432J	MG RESISTOR	4.3kΩ 1/16W J	1	
	R291	RK73HB1J103J	MG RESISTOR	10kΩ 1/16W J	1	
	R292	RK73HB1J432J	MG RESISTOR	4.3kΩ 1/16W J	1	
	R293	RK73HB1J103J	MG RESISTOR	10kΩ 1/16W J	1	
	R294	RK73HB1J432J	MG RESISTOR	4.3kΩ 1/16W J	1	
	R295	RK73HB1J103J	MG RESISTOR	10kΩ 1/16W J	1	
	R296	RK73HB1J432J	MG RESISTOR	4.3kΩ 1/16W J	1	
	R297	RK73HB1J103J	MG RESISTOR	10kΩ 1/16W J	1	
	R298	RK73HB1J432J	MG RESISTOR	4.3kΩ 1/16W J	1	
	R299	RK73HB1J103J	MG RESISTOR	10kΩ 1/16W J	1	
	R301	RK73HB1J333J	MG RESISTOR	33kΩ 1/16W J	1	
	R305	RK73EB2E6R8J	MG RESISTOR	6.8Ω 1/4W J	1	
	R306	RK73HB1J182J	MG RESISTOR	1.8kΩ 1/16W J	1	
	R309	RK73GB2A223J	MG RESISTOR	22kΩ 1/10W J	1	
	R313	RK73HB1J432J	MG RESISTOR	4.3kΩ 1/16W J	1	
	R314	RK73HB1J103J	MG RESISTOR	10kΩ 1/16W J	1	
	R320	RK73HB1J223J	MG RESISTOR	22kΩ 1/16W J	1	
	R321	RK73GB2A101J	MG RESISTOR	100Ω 1/10W J	1	
	R322	RK73HB1J471J	MG RESISTOR	470Ω 1/16W J	1	
	R330	RK73HB1J471J	MG RESISTOR	470Ω 1/16W J	1	
	R331	RK73HB1J223J	MG RESISTOR	22kΩ 1/16W J	1	
	R332	RK73GB2A101J	MG RESISTOR	100Ω 1/10W J	1	
	R340	RK73HB1J223J	MG RESISTOR	22kΩ 1/16W J	1	
	R341	RK73HB1J471J	MG RESISTOR	470Ω 1/16W J	1	
	R342	RK73GB2A101J	MG RESISTOR	100Ω 1/10W J	1	
	R350	RK73HB1J471J	MG RESISTOR	470Ω 1/16W J	1	
	R351	RK73HB1J223J	MG RESISTOR	22kΩ 1/16W J	1	
	R352	RK73GB2A101J	MG RESISTOR	100Ω 1/10W J	1	
	R360	RK73GB2A223J	MG RESISTOR	22kΩ 1/10W J	1	
	R361	RK73HB1J333J	MG RESISTOR	33kΩ 1/16W J	1	

MODEL	MARK	MODEL	MARK	MODEL	MARK	MODEL	MARK
KW-V120BTK	A	KW-V120MM2	B	KW-V220BTE	C	KW-V220BTK	D
KW-V220BTM	E	KW-V220BTMM2	F	KW-V220BTN	G	KW-V220BTQ	H
KW-V220BTR	I	KW-V220BTX	J				

Safe	Symbol No.	Parts No.	Parts Name	Description	QTY	Local
	R362	RK73GB2A472J	MG RESISTOR	4.7kΩ 1/10W J	1	
	R363	RK73HB1J223J	MG RESISTOR	22kΩ 1/16W J	1	
	R364	RK73GB2A472J	MG RESISTOR	4.7kΩ 1/10W J	1	
	R380	RK73FB2B472J	MG RESISTOR	4.7kΩ 1/8W J	1	A,B,D,E,F,G,I,J
	R382	RK73FB2B472J	MG RESISTOR	4.7kΩ 1/8W J	1	
	R400	RK73GB2A152J	MG RESISTOR	1.5kΩ 1/10W J	1	
	R410	RK73HB1J471J	MG RESISTOR	470Ω 1/16W J	1	
	R411	RK73HB1J473J	MG RESISTOR	47kΩ 1/16W J	1	
	R412	RK73HB1J473J	MG RESISTOR	47kΩ 1/16W J	1	
	R413	RK73HB1J103J	MG RESISTOR	10kΩ 1/16W J	1	
	R414	RK73HB1J223J	MG RESISTOR	22kΩ 1/16W J	1	
	R415	RK73HB1J272J	MG RESISTOR	2.7kΩ 1/16W J	1	
	R416	RK73HB1J102J	MG RESISTOR	1kΩ 1/16W J	1	
	R470	RK73GB2A000J	MG RESISTOR	0Ω 1/10W J	1	A,B,C,D,G,H,I,J
	R471	RK73GB2A105J	MG RESISTOR	1MΩ 1/10W J	1	E,F
	R472	RK73HB1J105J	MG RESISTOR	1MΩ 1/16W J	1	E,F
	R473	RK73GB2A000J	MG RESISTOR	0Ω 1/10W J	1	A,B,C,D,G,H,I,J
	R474	RK73GB2A000J	MG RESISTOR	0Ω 1/10W J	1	A,B,C,D,G,H,I,J
	R475	RK73HB1J105J	MG RESISTOR	1MΩ 1/16W J	1	E,F
	R476	RK73HB1J105J	MG RESISTOR	1MΩ 1/16W J	1	E,F
	R477	RK73HB1J105J	MG RESISTOR	1MΩ 1/16W J	1	E,F
	R478	RK73HB1J105J	MG RESISTOR	1MΩ 1/16W J	1	E,F
	R481	RK73HB1J000J	MG RESISTOR	0Ω 1/16W J	1	
	R482	RK73HB1J000J	MG RESISTOR	0Ω 1/16W J	1	
	R483	RK73HB1J000J	MG RESISTOR	0Ω 1/16W J	1	
	R484	RK73HH1J151D	MG RESISTOR	150Ω 1/16W D	1	
	R485	RK73HH1J151D	MG RESISTOR	150Ω 1/16W D	1	
	R486	RK73HH1J151D	MG RESISTOR	150Ω 1/16W D	1	
	R487	RK73HH1J151D	MG RESISTOR	150Ω 1/16W D	1	
	R489	RK73HB1J000J	MG RESISTOR	0Ω 1/16W J	1	
	R490	RK73HB1J000J	MG RESISTOR	0Ω 1/16W J	1	
	R500	RK73HB1J470J	MG RESISTOR	47Ω 1/16W J	1	
	R501	RK73HH1J302D	MG RESISTOR	3kΩ 1/16W D	1	
	R502	RK73HB1J200J	MG RESISTOR	20Ω 1/16W J	1	
	R503	RK73HH1J562D	MG RESISTOR	5.6kΩ 1/16W D	1	
	R505	RK73HH1J513D	MG RESISTOR	51kΩ 1/16W D	1	
	R506	RK73PB2H100J	MG RESISTOR	10Ω 1/2W J	1	
	R508	RK73EB2E000J	MG RESISTOR	0Ω 1/4W J	1	
	R510	RK73GB2A000J	MG RESISTOR	0Ω 1/10W J	1	
	R511	RK73GB2A000J	MG RESISTOR	0Ω 1/10W J	1	
	R512	RK73GH2A133D	MG RESISTOR	13kΩ 1/10W D	1	
	R513	RK73GH2A202D	MG RESISTOR	2kΩ 1/10W D	1	
	R514	RK73GH2A433D	MG RESISTOR	43kΩ 1/10W D	1	
	R515	RK73GH2A822D	MG RESISTOR	8.2Ω 1/10W D	1	
	R540	RK73HB1J103J	MG RESISTOR	10kΩ 1/16W J	1	
	R541	RK73HH1J393D	MG RESISTOR	39kΩ 1/16W D	1	
	R542	RK73HB1J200J	MG RESISTOR	20Ω 1/16W J	1	
	R543	RK73HH1J183D	MG RESISTOR	18kΩ 1/16W D	1	
	R544	RK73HH1J393D	MG RESISTOR	39kΩ 1/16W D	1	
	R545	RK73HH1J683D	MG RESISTOR	68kΩ 1/16W D	1	
	R546	RK73PB2H100J	MG RESISTOR	10Ω 1/2W J	1	
	R557	RK73HB1J223J	MG RESISTOR	22kΩ 1/16W J	1	
	R558	RK73HB1J103J	MG RESISTOR	10kΩ 1/16W J	1	
	R561	RK73EB2E000J	MG RESISTOR	0Ω 1/4W J	1	
	R580	RK73HH1J393D	MG RESISTOR	39kΩ 1/16W D	1	
	R581	RK73HH1J152D	MG RESISTOR	1.5kΩ 1/16W D	1	
	R582	RK73HH1J104D	MG RESISTOR	100kΩ 1/16W D	1	
	R583	RK73HH1J103D	MG RESISTOR	10kΩ 1/16W D	1	
	R584	RK73PB2H100J	MG RESISTOR	10Ω 1/2W J	1	
	R585	RK73HH1J394D	MG RESISTOR	390kΩ 1/16W D	1	
	R586	RK73HB1J000J	MG RESISTOR	0Ω 1/16W J	1	
	R587	RK73HH1J164D	MG RESISTOR	160kΩ 1/16W D	1	
	R588	RK73HB1J000J	MG RESISTOR	0Ω 1/16W J	1	
	R589	RK73HB1J4R7J	MG RESISTOR	4.7Ω 1/16W J	1	
	R591	RK73HH1J563D	MG RESISTOR	56kΩ 1/16W D	1	
	R592	NRZ0126-R062X	MG RESISTOR	0.062Ω 1/3W J	1	
	R593	RK73EB2E560J	MG RESISTOR	56Ω 1/4W J	1	
	R594	RK73HB1J101J	MG RESISTOR	100Ω 1/16W J	1	
	R607	RK73GB2A4R7J	MG RESISTOR	4.7Ω 1/10W J	1	
	R610	RK73GB2A105J	MG RESISTOR	1MΩ 1/10W J	1	
	R612	RK73GB2A105J	MG RESISTOR	1MΩ 1/10W J	1	
	R613	RK73GB2A820J	MG RESISTOR	82Ω 1/10W J	1	
	R614	RK73GB2A100J	MG RESISTOR	10Ω 1/10W J	1	
	R620	RK73GB2A100J	MG RESISTOR	10Ω 1/10W J	1	
	R621	RK73GB2A102J	MG RESISTOR	1kΩ 1/10W J	1	
	R650	RK73GB2A470J	MG RESISTOR	47Ω 1/10W J	1	
	R651	RK73GB2A470J	MG RESISTOR	47Ω 1/10W J	1	
	R652	RK73GB2A470J	MG RESISTOR	47Ω 1/10W J	1	
	R720	RK73HB1J473J	MG RESISTOR	47kΩ 1/16W J	1	
	R721	RK73HB1J474J	MG RESISTOR	470kΩ 1/16W J	1	
	R722	RK73HB1J473J	MG RESISTOR	47kΩ 1/16W J	1	
	R723	RK73HB1J473J	MG RESISTOR	47kΩ 1/16W J	1	
	R725	RK73HB1J123J	MG RESISTOR	12kΩ 1/16W J	1	
	R726	RK73HB1J123J	MG RESISTOR	12kΩ 1/16W J	1	
	R728	RK73HB1J753J	MG RESISTOR	75kΩ 1/16W J	1	
	R729	RK73HB1J753J	MG RESISTOR	75kΩ 1/16W J	1	B,E,F,G,J
	R730	RK73HB1J753J	MG RESISTOR	75kΩ 1/16W J	1	A,C,D,H,I
	R731	RK73HB1J753J	MG RESISTOR	75kΩ 1/16W J	1	C,D,E,F,G,H,I,J

MODEL	MARK	MODEL	MARK	MODEL	MARK	MODEL	MARK
KW-V120BTK	A	KW-V120MM2	B	KW-V220BTE	C	KW-V220BTK	D
KW-V220BTM	E	KW-V220BTMM2	F	KW-V220BTN	G	KW-V220BTQ	H
KW-V220BTR	I	KW-V220BTX	J				

Safe	Symbol No.	Parts No.	Parts Name	Description	QTY	Local
	R732	RK73HB1J753J	MG RESISTOR	75kΩ 1/16W J	1	A,B
	R732	RK73HB1J103J	MG RESISTOR	10kΩ 1/16W J	1	C,D,E,F,G,H,I,J
	R733	RK73HB1J753J	MG RESISTOR	75kΩ 1/16W J	1	B,F
	R733	RK73HB1J154J	MG RESISTOR	150kΩ 1/16W J	1	G,H,I
	R734	RK73HB1J753J	MG RESISTOR	75kΩ 1/16W J	1	A,C,D,E,J
	R734	RK73HB1J124J	MG RESISTOR	120kΩ 1/16W J	1	G,H,I
	R735	RK73HB1J473J	MG RESISTOR	47kΩ 1/16W J	1	
	R736	RK73HB1J473J	MG RESISTOR	47kΩ 1/16W J	1	
	R738	RK73HB1J101J	MG RESISTOR	100Ω 1/16W J	1	
	R739	RK73GB2A101J	MG RESISTOR	100Ω 1/10W J	1	
	R740	RK73HB1J101J	MG RESISTOR	100Ω 1/16W J	1	
	R741	RK73HB1J102J	MG RESISTOR	1kΩ 1/16W J	1	
	R742	RK73HB1J102J	MG RESISTOR	1kΩ 1/16W J	1	
	R745	RK73HB1J473J	MG RESISTOR	47kΩ 1/16W J	1	
	R746	RK73HB1J473J	MG RESISTOR	47kΩ 1/16W J	1	
	R747	RK73HB1J473J	MG RESISTOR	47kΩ 1/16W J	1	
	R748	RK73HB1J123J	MG RESISTOR	12kΩ 1/16W J	1	
	R749	RK73HB1J101J	MG RESISTOR	100Ω 1/16W J	1	
	R750	RK73HB1J153J	MG RESISTOR	15kΩ 1/16W J	1	
	R751	RK73HB1J101J	MG RESISTOR	100Ω 1/16W J	1	
	R752	RK73HB1J102J	MG RESISTOR	1kΩ 1/16W J	1	
	R753	RK73HB1J223J	MG RESISTOR	22kΩ 1/16W J	1	
	R754	RK73HB1J124J	MG RESISTOR	120kΩ 1/16W J	1	
	R755	RK73HB1J154J	MG RESISTOR	150kΩ 1/16W J	1	
	R756	RK73HB1J154J	MG RESISTOR	150kΩ 1/16W J	1	A,B,C,G,H,I,J
	R756	RK73HB1J753J	MG RESISTOR	75kΩ 1/16W J	1	E,F
	R757	RK73HB1J124J	MG RESISTOR	120kΩ 1/16W J	1	A,B,C,G,H,I,J
	R757	RK73HB1J753J	MG RESISTOR	75kΩ 1/16W J	1	D
	R758	RK73GB2A154J	MG RESISTOR	150kΩ 1/10W J	1	
	R759	RK73HB1J104J	MG RESISTOR	100kΩ 1/16W J	1	
	R760	RK73HB1J101J	MG RESISTOR	100Ω 1/16W J	1	
	R761	RK73HB1J473J	MG RESISTOR	47kΩ 1/16W J	1	
	R762	RK73HB1J101J	MG RESISTOR	100Ω 1/16W J	1	
	R763	RK73HB1J101J	MG RESISTOR	100Ω 1/16W J	1	
	R764	RK73HB1J473J	MG RESISTOR	47kΩ 1/16W J	1	
	R765	RK73HB1J472J	MG RESISTOR	4.7kΩ 1/16W J	1	
	R766	RK73HB1J101J	MG RESISTOR	100Ω 1/16W J	1	
	R767	RK73GB2A473J	MG RESISTOR	47kΩ 1/10W J	1	
	R768	RK73HB1J473J	MG RESISTOR	47kΩ 1/16W J	1	
	R769	RK73HB1J101J	MG RESISTOR	100Ω 1/16W J	1	
	R770	RK73HB1J101J	MG RESISTOR	100Ω 1/16W J	1	
	R771	RK73HB1J101J	MG RESISTOR	100Ω 1/16W J	1	
	R772	RK73HB1J473J	MG RESISTOR	47kΩ 1/16W J	1	
	R773	RK73HB1J101J	MG RESISTOR	100Ω 1/16W J	1	
	R775	RK73HB1J753J	MG RESISTOR	75kΩ 1/16W J	1	
	R779	RK73HB1J753J	MG RESISTOR	75kΩ 1/16W J	1	
	R780	RK73HB1J101J	MG RESISTOR	100Ω 1/16W J	1	
	R781	RK73HB1J472J	MG RESISTOR	4.7kΩ 1/16W J	1	
	R782	RK73HB1J101J	MG RESISTOR	100Ω 1/16W J	1	
	R783	RK73HB1J000J	MG RESISTOR	0Ω 1/16W J	1	
	R784	RK73HB1J472J	MG RESISTOR	4.7kΩ 1/16W J	1	
	R785	RK73HB1J101J	MG RESISTOR	100Ω 1/16W J	1	
	R786	RK73HB1J000J	MG RESISTOR	0Ω 1/16W J	1	
	R787	RK73HB1J101J	MG RESISTOR	100Ω 1/16W J	1	D,E,F
	R788	RK73HB1J101J	MG RESISTOR	100Ω 1/16W J	1	
	R789	RK73HB1J473J	MG RESISTOR	47kΩ 1/16W J	1	D,E,F
	R790	RK73HB1J101J	MG RESISTOR	100Ω 1/16W J	1	
	R791	RK73HB1J101J	MG RESISTOR	100Ω 1/16W J	1	D,E,F
	R792	RK73GB2A272J	MG RESISTOR	2.7kΩ 1/10W J	1	
	R793	RK73GB2A272J	MG RESISTOR	2.7kΩ 1/10W J	1	
	R794	RK73HB1J473J	MG RESISTOR	47kΩ 1/16W J	1	
	R795	RK73HB1J101J	MG RESISTOR	100Ω 1/16W J	1	
	R799	RK73HB1J222J	MG RESISTOR	2.2kΩ 1/16W J	1	
	R800	RK73HB1J101J	MG RESISTOR	100Ω 1/16W J	1	
	R801	RK73HB1J472J	MG RESISTOR	4.7kΩ 1/16W J	1	
	R802	RK73HB1J104J	MG RESISTOR	100kΩ 1/16W J	1	
	R803	RK73HB1J473J	MG RESISTOR	47kΩ 1/16W J	1	
	R805	RK73HB1J753J	MG RESISTOR	75kΩ 1/16W J	1	
	R806	RK73HB1J473J	MG RESISTOR	47kΩ 1/16W J	1	B,C,E,F,G,H,I,J
	R807	RK73HB1J753J	MG RESISTOR	75kΩ 1/16W J	1	A,D
	R809	RK73HB1J106J	MG RESISTOR	10MΩ 1/16W J	1	
	R811	RK73HB1J000J	MG RESISTOR	0Ω 1/16W J	1	
	R812	RK73HB1J101J	MG RESISTOR	100Ω 1/16W J	1	
	R813	RK73HB1J101J	MG RESISTOR	100Ω 1/16W J	1	
	R814	RK73HB1J470J	MG RESISTOR	47Ω 1/16W J	1	
	R815	RK73HB1J470J	MG RESISTOR	47Ω 1/16W J	1	
	R816	RK73HB1J470J	MG RESISTOR	47Ω 1/16W J	1	
	R817	RK73HB1J470J	MG RESISTOR	47Ω 1/16W J	1	
	R818	RK73HB1J470J	MG RESISTOR	47Ω 1/16W J	1	
	R819	RK73HB1J470J	MG RESISTOR	47Ω 1/16W J	1	
	R820	RK73HB1J101J	MG RESISTOR	100Ω 1/16W J	1	
	R821	RK73HB1J101J	MG RESISTOR	100Ω 1/16W J	1	
	R822	RK73HB1J470J	MG RESISTOR	47Ω 1/16W J	1	
	R823	RK73HB1J470J	MG RESISTOR	47Ω 1/16W J	1	
	R830	RK73HB1J473J	MG RESISTOR	47kΩ 1/16W J	1	
	R831	RK73HB1J223J	MG RESISTOR	22kΩ 1/16W J	1	
	R832	RK73GB2A223J	MG RESISTOR	22kΩ 1/10W J	1	
	R840	RK73HB1J473J	MG RESISTOR	47kΩ 1/16W J	1	D,E,F
	R841	RK73HB1J272J	MG RESISTOR	2.7kΩ 1/16W J	1	D,E,F
	R842	RK73GB2A272J	MG RESISTOR	2.7kΩ 1/10W J	1	D

MODEL	MARK	MODEL	MARK	MODEL	MARK	MODEL	MARK
KW-V120BTK	A	KW-V120MM2	B	KW-V220BTE	C	KW-V220BTK	D
KW-V220BTM	E	KW-V220BTMM2	F	KW-V220BTN	G	KW-V220BTQ	H
KW-V220BTR	I	KW-V220BTX	J				

Safe	Symbol No.	Parts No.	Parts Name	Description	QTY	Local
	R843	RK73HB1J101J	MG RESISTOR	100Ω 1/16W J	1	D
	R860	RK73HB1J470J	MG RESISTOR	47Ω 1/16W J	1	
	R861	RK73HH1J513D	MG RESISTOR	51kΩ 1/16W D	1	
	R862	RK73HB1J200J	MG RESISTOR	20Ω 1/16W J	1	
	R863	RK73HH1J163D	MG RESISTOR	16kΩ 1/16W D	1	
	R864	RK73HH1J513D	MG RESISTOR	51kΩ 1/16W D	1	
	R865	RK73PB2H100J	MG RESISTOR	10Ω 1/2W J	1	
	R866	RK73GB2A000J	MG RESISTOR	0Ω 1/10W J	1	
	R890	RK73GH2A123D	MG RESISTOR	12kΩ 1/10W D	1	
	R900	RK73GH2A303D	MG RESISTOR	30kΩ 1/10W D	1	
	R901	RK73GH2A433D	MG RESISTOR	43kΩ 1/10W D	1	
	R902	RK73GH2A103D	MG RESISTOR	10kΩ 1/10W D	1	
	R903	RK73GH2A512D	MG RESISTOR	5.1kΩ 1/10W D	1	
	R904	RK73EB2E100J	MG RESISTOR	10Ω 1/4W J	1	
	R921	RK73EB2E000J	MG RESISTOR	0Ω 1/4W J	1	
	R922	RK73GB2A103J	MG RESISTOR	10kΩ 1/10W J	1	
	R923	RK73GB2A223J	MG RESISTOR	22kΩ 1/10W J	1	
	R924	RK73GB2A471J	MG RESISTOR	470Ω 1/10W J	1	
	R934	RK73HB1J101J	MG RESISTOR	100Ω 1/16W J	1	
	R935	RK73HB1J000J	MG RESISTOR	0Ω 1/16W J	1	
	R936	RK73HB1J101J	MG RESISTOR	100Ω 1/16W J	1	
	R937	RK73HB1J000J	MG RESISTOR	0Ω 1/16W J	1	
	R950	RK73HH1J224D	MG RESISTOR	220kΩ 1/16W D	1	
	R951	RK73GB2A224J	MG RESISTOR	220kΩ 1/10W J	1	
	R952	RK73HB1J224J	MG RESISTOR	220kΩ 1/16W J	1	
	R953	RK73EB2E153J	MG RESISTOR	15kΩ 1/4W J	1	
	R954	RK73HB1J304J	MG RESISTOR	300kΩ 1/16W J	1	
	R955	RK73HB1J304J	MG RESISTOR	300kΩ 1/16W J	1	
	R956	RK73EB2E102J	MG RESISTOR	1kΩ 1/4W J	1	
	R957	RK73EB2E102J	MG RESISTOR	1kΩ 1/4W J	1	
	R958	RK73EB2E102J	MG RESISTOR	1kΩ 1/4W J	1	
	R959	RK73HB1J623J	MG RESISTOR	62kΩ 1/16W J	1	
	R960	RK73HB1J101J	MG RESISTOR	100Ω 1/16W J	1	
	R970	RK73HH1J513D	MG RESISTOR	51kΩ 1/16W D	1	
	R971	RK73HH1J104D	MG RESISTOR	100kΩ 1/16W D	1	
	R972	RK73GH2A333D	MG RESISTOR	33kΩ 1/10W D	1	
	R973	RK73HH1J304D	MG RESISTOR	300kΩ 1/16W D	1	
	R974	RK73GH2A304D	MG RESISTOR	300kΩ 1/10W D	1	
	R975	RK73HB1J224J	MG RESISTOR	220kΩ 1/16W J	1	
	R976	RK73HB1J000J	MG RESISTOR	0Ω 1/16W J	1	
	R977	RK73HH1J104D	MG RESISTOR	100kΩ 1/16W D	1	
	R978	RK73HH1J154D	MG RESISTOR	150kΩ 1/16W D	1	
	R979	RK73HB1J224J	MG RESISTOR	220kΩ 1/16W J	1	
	R980	RK73GB2A224J	MG RESISTOR	220kΩ 1/10W J	1	
	R981	RK73HB1J224J	MG RESISTOR	220kΩ 1/16W J	1	
	R990	RK73GB2A104J	MG RESISTOR	100kΩ 1/10W J	1	B,E,F,G,J
	R991	RK73GB2A104J	MG RESISTOR	100kΩ 1/10W J	1	B,E,F,G,J
	R992	RK73GH2A472D	MG RESISTOR	4.7kΩ 1/10W D	1	B,E,F,G,J
	R993	RK73GH2A472D	MG RESISTOR	4.7kΩ 1/10W D	1	B,E,F,G,J
	R994	RK73EB2E511J	MG RESISTOR	510Ω 1/4W J	1	B,E,F,G,J
	R995	RK73EB2E511J	MG RESISTOR	510Ω 1/4W J	1	B,E,F,G,J
	R996	RK73GB2A152J	MG RESISTOR	1.5kΩ 1/10W J	1	B,E,F,G,J
	R997	RK73GB2A152J	MG RESISTOR	1.5kΩ 1/10W J	1	B,E,F,G,J
	R998	RK73GB2A102J	MG RESISTOR	1kΩ 1/10W J	1	B,E,F,G,J
	R999	RK73GB2A102J	MG RESISTOR	1kΩ 1/10W J	1	B,E,F,G,J
	R1000	RK73GB2A681J	MG RESISTOR	680Ω 1/10W J	1	B,E,F,G,J
	R1001	RK73GB2A681J	MG RESISTOR	680Ω 1/10W J	1	B,E,F,G,J
	R1010	RK73HB1J124J	MG RESISTOR	120kΩ 1/16W J	1	A,C,D,E,F,G,H,I,J
	R1010	RK73HB1J753J	MG RESISTOR	75kΩ 1/16W J	1	B
	R1011	RK73HB1J154J	MG RESISTOR	150kΩ 1/16W J	1	A,C,D,E,F,G,H,I,J
	R1013	RK73HB1J473J	MG RESISTOR	47kΩ 1/16W J	1	
	R1014	RK73HB1J753J	MG RESISTOR	75kΩ 1/16W J	1	A,D,I,J
	R1014	RK73HB1J124J	MG RESISTOR	120kΩ 1/16W J	1	B,C,F,H
	R1015	RK73HB1J154J	MG RESISTOR	150kΩ 1/16W J	1	B,C,F,H
	R1015	RK73HB1J753J	MG RESISTOR	75kΩ 1/16W J	1	E,G
	R1015	RK73HB1J223J	MG RESISTOR	22kΩ 1/16W J	1	J
	R1016	RK73HB1J101J	MG RESISTOR	100Ω 1/16W J	1	
	R1017	RK73GB2A202J	MG RESISTOR	2kΩ 1/10W J	1	
	R1018	RK73HB1J912J	MG RESISTOR	9.1kΩ 1/16W J	1	
	R1019	RK73GB2A202J	MG RESISTOR	2kΩ 1/10W J	1	
	R1020	RK73HB1J912J	MG RESISTOR	9.1kΩ 1/16W J	1	
	R1021	RK73HB1J101J	MG RESISTOR	100Ω 1/16W J	1	
	R1022	RK73GB2A202J	MG RESISTOR	2kΩ 1/10W J	1	
	R1023	RK73HB1J912J	MG RESISTOR	9.1kΩ 1/16W J	1	
	R1024	RK73GB2A202J	MG RESISTOR	2kΩ 1/10W J	1	
	R1025	RK73HB1J912J	MG RESISTOR	9.1kΩ 1/16W J	1	
	R1026	RK73HB1J101J	MG RESISTOR	100Ω 1/16W J	1	
	R1027	RK73HB1J101J	MG RESISTOR	100Ω 1/16W J	1	
	R1028	RK73GB2A202J	MG RESISTOR	2kΩ 1/10W J	1	
	R1029	RK73HB1J912J	MG RESISTOR	9.1kΩ 1/16W J	1	
	R1030	RK73GB2A202J	MG RESISTOR	2kΩ 1/10W J	1	
	R1031	RK73HB1J912J	MG RESISTOR	9.1kΩ 1/16W J	1	
	R1032	RK73HB1J101J	MG RESISTOR	100Ω 1/16W J	1	
	R1033	RK73HB1J101J	MG RESISTOR	100Ω 1/16W J	1	
	R1034	RK73HB1J473J	MG RESISTOR	47kΩ 1/16W J	1	
	R1035	RK73GB2A103J	MG RESISTOR	10kΩ 1/10W J	1	
	R1036	RK73GB2A120J	MG RESISTOR	12Ω 1/10W J	1	
	R1037	RK73HB1J000J	MG RESISTOR	0Ω 1/16W J	1	

MODEL	MARK	MODEL	MARK	MODEL	MARK	MODEL	MARK
KW-V120BTK	A	KW-V120MM2	B	KW-V220BTE	C	KW-V220BTK	D
KW-V220BTM	E	KW-V220BTMM2	F	KW-V220BTN	G	KW-V220BTQ	H
KW-V220BTR	I	KW-V220BTX	J				

Safe	Symbol No.	Parts No.	Parts Name	Description	QTY	Local
	R1038	RK73GB2A120J	MG RESISTOR	12Ω 1/10W J	1	
	R1039	RK73HB1J000J	MG RESISTOR	0Ω 1/16W J	1	
	R1040	RK73GB2A120J	MG RESISTOR	12Ω 1/10W J	1	
	R1041	RK73HB1J000J	MG RESISTOR	0Ω 1/16W J	1	
	R1042	RK73GB2A120J	MG RESISTOR	12Ω 1/10W J	1	
	R1043	RK73HB1J000J	MG RESISTOR	0Ω 1/16W J	1	
	R1044	RK73HB1J000J	MG RESISTOR	0Ω 1/16W J	1	
	R1045	RK73HB1J000J	MG RESISTOR	0Ω 1/16W J	1	
	R1047	RK73HH1J100D	MG RESISTOR	10Ω 1/16W D	1	
	R1053	RK73EB2E000J	MG RESISTOR	0Ω 1/4W J	1	
	R1055	RK73GB2A000J	MG RESISTOR	0Ω 1/10W J	1	
	R1057	RK73GB2A000J	MG RESISTOR	0Ω 1/10W J	1	A,C,D,E,F,G,H,I,J
	R1060	RK73GB2A000J	MG RESISTOR	0Ω 1/10W J	1	
	R1064	RK73HB1J101J	MG RESISTOR	100Ω 1/16W J	1	
	R1065	RK73HB1J000J	MG RESISTOR	0Ω 1/16W J	1	
	R1066	RK73GB2A000J	MG RESISTOR	0Ω 1/10W J	1	
	R1067	RK73GB2A000J	MG RESISTOR	0Ω 1/10W J	1	
	R1068	RK73GB2A000J	MG RESISTOR	0Ω 1/10W J	1	
	L60	QQR1883-002	CHOKE COIL		1	
	L480	LR73Z0AD4R7M	CHIP INDUCTOR	4.7uH	1	
	L481	LR73Z0AD4R7M	CHIP INDUCTOR	4.7uH	1	
	L482	LR79Z0AG100M	CHIP INDUCTOR	10uH	1	
	L500	LR79Z0DE220M	CHIP INDUCTOR	22uH	1	
	L540	NQLL8EM-100X	INDUCTOR	10uH M	1	
	L580	NQLL8EM-470X	INDUCTOR	47uH M	1	
	L600	LR73Z0AD4R7M	CHIP INDUCTOR	4.7uH	1	
	L602	LK73G0BER15K	M.CHIP INDUCTOR		1	
	L603	LK73G0BER12K	M.CHIP INDUCTOR		1	
	L604	LK73G0BE1R0K	M.CHIP INDUCTOR		1	
	L606	LK73G0BER22K	M.CHIP INDUCTOR		1	
	L607	LK73G0BER10K	M.CHIP INDUCTOR		1	
	L609	LK73G0BER47K	M.CHIP INDUCTOR		1	
	L610	LK73G0BE4R7K	M.CHIP INDUCTOR		1	
	L611	LR73Z0AD4R7M	CHIP INDUCTOR	4.7uH	1	
	L720	NQR0199-003X	FERRITE BEADS		1	
	L743	LB73H0BG-003	CHIP FERRITE		1	
	L744	LB73H0BG-003	CHIP FERRITE		1	
	L824	LB73H0BG-003	CHIP FERRITE		1	
	L825	LB73H0BG-003	CHIP FERRITE		1	
	L826	LB73H0BG-003	CHIP FERRITE		1	
	L827	LB73H0BG-003	CHIP FERRITE		1	
	L860	LR79Z0DE220M	CHIP INDUCTOR	22uH	1	
	L1010	NQR0559-010X	FERRITE BEADS		1	
	L1011	NQR0559-010X	FERRITE BEADS		1	
	L1012	LR73Z0AD4R7M	CHIP INDUCTOR	4.7uH	1	
	AT601	QNB0356-001	ANT TERMINAL		1	
	CN60	QGA2501C1-02	W TO B CONNE	W-B (1-2)	1	D
	CN80	QGA2001C1-05	W TO B CONNE	W-B (1-5)	1	
	CN81	QGA1501F1-03	W TO B CONNE	W-B (1-3)	1	
	CN410	QGA2501C1-02	W TO B CONNE	W-B (1-2)	1	
	CN480	QGF0534F7-35X	FFC/FPC CONNE	FFC/FPC (1-35)	1	
	CN653	QGF0534F7-60X	FFC/FPC CONNE	FFC/FPC (1-60)	1	
	CN654	QGF0534F7-22X	FFC/FPC CONNE	FFC/FPC (1-22)	1	B,D,E,F,G,J
△	F100	F53-0513-08	PATTERN FUSE	4A	1	A,B,C,D,E,F,G,H,I,J
△	F130	F53-0513-08	PATTERN FUSE	4A	1	A,B,C,D,E,F,G,H,I,J
△	F131	F53-0513-08	PATTERN FUSE	4A	1	A,B,C,D,E,F,G,H,I,J
△	F270	F53-0513-08	PATTERN FUSE	4A	1	A,B,C,D,E,F,G,H,I,J
△	F480	FZA10BF-1R0	FUSE (CC)	1A	1	
△	F481	FZA10BF-1R0	FUSE (CC)	1A	1	
△	F920	FZA10BF-4R0	FUSE (CC)		1	
	J60	QNZ0607-001	CAR CONNECTOR		1	
	J100	QNS0291-001	3.5 JACK		1	
	J130	QNN0890-001	PIN JACK		1	
	J220	QNS0307-001	3.5 JACK		1	A,C,D,E,F,G,H,I,J
	J270	QNN0889-001	PIN JACK		1	
	K580	NQR0154-005X	FERRITE CORE		1	
	K581	NQR0154-005X	FERRITE CORE		1	
	VA100	SDV1005E18//1	VARIATOR		1	
	VA101	SDV1005E18//1	VARIATOR		1	
	VA102	SDV1005A14//0	VARIATOR		1	
	VA103	SDV1005A14//0	VARIATOR		1	
	VA131	SDV1005E18//1	VARIATOR		1	
	VA132	SDV1005E18//1	VARIATOR		1	
	VA220	SDV1005A14//0	VARIATOR		1	A,C,D,E,F,G,H,I,J
	VA221	SDV1005A14//0	VARIATOR		1	A,C,D,E,F,G,H,I,J
	VA250	SDV1005A14//0	VARIATOR		1	
	VA251	SDV1005A14//0	VARIATOR		1	
	VA320	SDV1005A14//0	VARIATOR		1	
	VA330	SDV1005A14//0	VARIATOR		1	
	VA340	SDV1005A14//0	VARIATOR		1	
	VA350	SDV1005A14//0	VARIATOR		1	
	VA410	SDV1005E18//1	VARIATOR		1	
	VA411	SDV1005A14//0	VARIATOR		1	
	VA603	NAF0029-002X	ESD SUPPRESSOR		1	
	VA604	NAF0029-002X	ESD SUPPRESSOR		1	
	VA605	NAF0024-001X	ESD SUPPRESSOR		1	
	VA1010	NAF0029-002X	ESD SUPPRESSOR		1	
	X600	QAX0969-001Z	CRYSTAL		1	
	X720	L7J-0059-00	QUARTZ CRYSTAL		1	
	X721	L7J-0105-00	QUARTZ CRYSTAL		1	

MODEL	MARK	MODEL	MARK	MODEL	MARK	MODEL	MARK
KW-V120BTK	A	KW-V120MM2	B	KW-V220BTE	C	KW-V220BTK	D
KW-V220BTM	E	KW-V220BTMM2	F	KW-V220BTN	G	KW-V220BTQ	H
KW-V220BTR	I	KW-V220BTX	J				

Safe	Symbol No.	Parts No.	Parts Name	Description	QTY	Local
------	------------	-----------	------------	-------------	-----	-------

SWITCH PWB ASSY (XJ6-0090-10) <XJ6>

IC101	PIC95603-X	IR DETECT UNIT			1	
Q102	LSCR523UBFS8	TRANSISTOR			1	
D102	KLB-16B-RS	LED			1	
D103	KLB-16B-RS	LED			1	
D104	KLB-16B-RS	LED			1	
D105	KLB-16B-RS	LED			1	
D202	KLB-16B-RS	LED			1	
D203	KLB-16B-RS	LED			1	
D204	KLB-16B-RS	LED			1	
D205	KLB-16B-RS	LED			1	
C101	CK73GBB0J105K	C CAPACITOR	1uF 6.3V K		1	
C102	CK73GBB1H103K	C CAPACITOR	0.01uF 50V K		1	
C104	CK73HBB1E103K	C CAPACITOR	0.01uF 25V K		1	
C201	CK73HBB1E103K	C CAPACITOR	0.01uF 25V K		1	
R105	RK73HB1J101J	MG RESISTOR	100Ω 1/16W J		1	
R106	RK73HB1J473J	MG RESISTOR	47kΩ 1/16W J		1	
R107	RK73GH2A271D	MG RESISTOR	270Ω 1/10W D		1	
R109	RK73HB1J332J	MG RESISTOR	3.3kΩ 1/16W J		1	
R110	RK73HB1J242J	MG RESISTOR	2.4kΩ 1/16W J		1	
R201	RK73HB1J332J	MG RESISTOR	3.3kΩ 1/16W J		1	
R202	RK73HB1J242J	MG RESISTOR	2.4kΩ 1/16W J		1	
CN101	QGF0545F2-10X	FFC/FPC CONNE	FFC/FPC (1-10)		1	
CN201	QGF0545F2-08X	FFC/FPC CONNE	FFC/FPC (1-8)		1	
S101	S7A-0002-00	TACTILE PUSH SW			1	
S102	S7A-0002-00	TACTILE PUSH SW			1	
S103	S7A-0002-00	TACTILE PUSH SW			1	
S104	S7A-0002-00	TACTILE PUSH SW			1	
S201	S7A-0002-00	TACTILE PUSH SW			1	
S202	S7A-0002-00	TACTILE PUSH SW			1	
S203	S7A-0002-00	TACTILE PUSH SW			1	
S204	S7A-0002-00	TACTILE PUSH SW			1	
VA106	NAF0044-270X	VARIATOR(ZNR)			1	

VIDEO PWB ASSY (XJ8-0310-xx) <XJ8>

IC1600	ML86250LAZ07F	MOS IC			1	
IC1602	BR24T32FVT-W-X	SV-ROM IC			1	
IC1850	BD00IA5WEFJ	ANALOG IC			1	
IC1860	BU33TD3WG-W	IC			1	
IC1870	BU15TD3WG-W	IC			1	
IC1880	BA2904FVM	MOS IC			1	
IC1881	NJM2831F92-X	SV-ANALOGUE IC			1	
IC1901	M12L25116A6T2	DRAM IC			1	
IC1902	M12L25116A6T2	DRAM IC			1	
IC1940	W3F-0185-00	ROM IC			1	
IC2000	STA1090	MPU IC	BGA		1	
Q1619	LTC014EUBFS8	DIGI TRANSISTOR			1	
Q1770	LTC014YEBFS8	DIGI TRANSISTOR			1	
Q1771	LSAR523UBFS8	TRANSISTOR			1	
Q1780	LSCR523UBFS8	TRANSISTOR			1	
Q1800	LSCR523UBFS8	TRANSISTOR			1	
Q1801	LSCR523UBFS8	TRANSISTOR			1	
Q1802	LSCR523UBFS8	TRANSISTOR			1	
Q1803	LSCR523UBFS8	TRANSISTOR			1	
Q1804	LSCR523UBFS8	TRANSISTOR			1	
Q1805	LSCR523UBFS8	TRANSISTOR			1	
Q1806	LSCR523UBFS8	TRANSISTOR			1	
Q1807	LSCR523UBFS8	TRANSISTOR			1	
Q1808	LSCR523UBFS8	TRANSISTOR			1	
Q1810	LTC014YEBFS8	DIGI TRANSISTOR			1	
Q1811	LTC014YEBFS8	DIGI TRANSISTOR			1	
Q1812	LTC014YEBFS8	DIGI TRANSISTOR			1	
Q1813	LTC014YEBFS8	DIGI TRANSISTOR			1	
Q1814	LSAR523UBFS8	TRANSISTOR			1	
Q1815	LSCR523UBFS8	TRANSISTOR			1	
Q1880	LSCR523UBFS8	TRANSISTOR			1	
Q1881	LSAR523UBFS8	TRANSISTOR			1	
Q1882	LSCR523UBFS8	TRANSISTOR			1	
Q1883	LTC014YEBFS8	DIGI TRANSISTOR			1	
Q1884	LTA014YEBFS8	DIGI TRANSISTOR			1	
Q1885	LTC014YEBFS8	DIGI TRANSISTOR			1	
Q1886	LSCR523UBFS8	TRANSISTOR			1	
Q1887	LSCR523UBFS8	TRANSISTOR			1	
Q1888	LTC014YEBFS8	DIGI TRANSISTOR			1	
D1790	RSB6.8SM-X	BP Z DIODE			1	
D1791	RSB6.8SM-X	BP Z DIODE			1	
D1792	RSB6.8SM-X	BP Z DIODE			1	
D1793	RSB6.8SM-X	BP Z DIODE			1	
D1794	RSB6.8SM-X	BP Z DIODE			1	
D1795	RSB6.8SM-X	BP Z DIODE			1	
D1796	RSB6.8SM-X	BP Z DIODE			1	
D1797	RSB6.8SM-X	BP Z DIODE			1	
D1881	DZ2J130M	ZENER DIODE			1	
D1882	DZ2J180M	ZENER DIODE			1	
D1883	DA2J101	DIODE			1	
C1629	CK73GXR1H104K	C CAPACITOR	0.1uF 50V K		1	
C1630	CK73HXR1A105K	C CAPACITOR	1uF 10V K		1	
C1632	CK73HBB1A104K	C CAPACITOR	0.1uF 10V K		1	
C1633	CK73HBB1A104K	C CAPACITOR	0.1uF 10V K		1	
C1634	CK73HBB1A104K	C CAPACITOR	0.1uF 10V K		1	
C1635	CK73HBB1A104K	C CAPACITOR	0.1uF 10V K		1	

MODEL	MARK	MODEL	MARK	MODEL	MARK	MODEL	MARK
KW-V120BTK	A	KW-V120MM2	B	KW-V220BTE	C	KW-V220BTK	D
KW-V220BTM	E	KW-V220BTMM2	F	KW-V220BTN	G	KW-V220BTQ	H
KW-V220BTR	I	KW-V220BTX	J				

Safe	Symbol No.	Parts No.	Parts Name	Description	QTY	Local
	C1636	CK73HBB1A104K	C CAPACITOR	0.1uF 10V K	1	
	C1637	CK73HBB1A104K	C CAPACITOR	0.1uF 10V K	1	
	C1638	CK73HBB1A104K	C CAPACITOR	0.1uF 10V K	1	
	C1640	CK73HBB1A104K	C CAPACITOR	0.1uF 10V K	1	
	C1641	CK73HBB1A104K	C CAPACITOR	0.1uF 10V K	1	
	C1642	CK73HBB1A104K	C CAPACITOR	0.1uF 10V K	1	
	C1643	CK73HBB1A104K	C CAPACITOR	0.1uF 10V K	1	
	C1644	CK73HBB1A104K	C CAPACITOR	0.1uF 10V K	1	
	C1645	CK73GXR0J106M	C CAPACITOR	10uF 6.3V M	1	
	C1646	CK73GXR0J106M	C CAPACITOR	10uF 6.3V M	1	
	C1647	CK73GXR0J106M	C CAPACITOR	10uF 6.3V M	1	
	C1648	CK73GBB1H472K	C CAPACITOR	4700pF 50V K	1	
	C1649	CK73GXR0J106M	C CAPACITOR	10uF 6.3V M	1	
	C1650	CK73GXR0J106M	C CAPACITOR	10uF 6.3V M	1	
	C1651	CK73GXR0J106M	C CAPACITOR	10uF 6.3V M	1	
	C1652	CK73GXR0J106M	C CAPACITOR	10uF 6.3V M	1	
	C1653	CK73HBB1C103K	C CAPACITOR	0.01uF 16V K	1	
	C1654	CK73HBB1C103K	C CAPACITOR	0.01uF 16V K	1	
	C1655	CK73HBB1C103K	C CAPACITOR	0.01uF 16V K	1	
	C1656	CK73HBB1C103K	C CAPACITOR	0.01uF 16V K	1	
	C1657	CK73HBB1H102K	C CAPACITOR	1000pF 50V K	1	
	C1658	CK73HBB1H102K	C CAPACITOR	1000pF 50V K	1	
	C1659	CK73HBB1H102K	C CAPACITOR	1000pF 50V K	1	
	C1660	CK73HBB1A104K	C CAPACITOR	0.1uF 10V K	1	
	C1661	CK73HBB1A104K	C CAPACITOR	0.1uF 10V K	1	
	C1662	CK73HBB1A104K	C CAPACITOR	0.1uF 10V K	1	
	C1663	CK73HXR1A105K	C CAPACITOR	1uF 10V K	1	
	C1664	CK73HXR1A105K	C CAPACITOR	1uF 10V K	1	
	C1665	CK73HXR1A105K	C CAPACITOR	1uF 10V K	1	
	C1666	CC73HCH1H120J	C CAPACITOR	12pF 50V J	1	
	C1667	CC73HCH1H100D	C CAPACITOR	10pF 50V D	1	
	C1668	CK73HXR1A105K	C CAPACITOR	1uF 10V K	1	
	C1669	CK73HXR1A105K	C CAPACITOR	1uF 10V K	1	
	C1670	CK73HBB1A104K	C CAPACITOR	0.1uF 10V K	1	
	C1671	CK73HXR1A105K	C CAPACITOR	1uF 10V K	1	
	C1672	CK73GXR0J106M	C CAPACITOR	10uF 6.3V M	1	
	C1673	CK73GXR0J106M	C CAPACITOR	10uF 6.3V M	1	
	C1674	CK73GXR0J106M	C CAPACITOR	10uF 6.3V M	1	
	C1675	CK73GXR0J106M	C CAPACITOR	10uF 6.3V M	1	
	C1676	CK73HBB1A104K	C CAPACITOR	0.1uF 10V K	1	
	C1677	CK73HBB1A104K	C CAPACITOR	0.1uF 10V K	1	
	C1678	CK73HBB1H472K	C CAPACITOR	4700pF 50V K	1	
	C1790	CC73HCH1H102J	C CAPACITOR	1000pF 50V J	1	
	C1791	CC73HCH1H102J	C CAPACITOR	1000pF 50V J	1	
	C1792	CC73HCH1H102J	C CAPACITOR	1000pF 50V J	1	
	C1793	CC73HCH1H102J	C CAPACITOR	1000pF 50V J	1	
	C1794	CK73GBB1H103K	C CAPACITOR	0.01uF 50V K	1	
	C1840	CK730BF1E475K	C CAPACITOR	4.7uF 25V K	1	
	C1841	CK73HBB1A104K	C CAPACITOR	0.1uF 10V K	1	
	C1844	CK73HBB1C104K	C CAPACITOR	0.1uF 16V K	1	
	C1845	CK73HBB1C104K	C CAPACITOR	0.1uF 16V K	1	
	C1846	CK73HBB1C104K	C CAPACITOR	0.1uF 16V K	1	
	C1850	CK73HBB1C103K	C CAPACITOR	0.01uF 16V K	1	
	C1851	CK73HXR1A105K	C CAPACITOR	1uF 10V K	1	
	C1852	CK73HXR1A105K	C CAPACITOR	1uF 10V K	1	
	C1853	CK73FXR1C475K	C CAPACITOR	4.7uF 16V K	1	
	C1855	CK73HBB1C103K	C CAPACITOR	0.01uF 16V K	1	
	C1860	CK73FXR0J106K	C CAPACITOR	10uF 6.3V K	1	
	C1861	CK73HBB1A104K	C CAPACITOR	0.1uF 10V K	1	
	C1862	CK73FXR0J106K	C CAPACITOR	10uF 6.3V K	1	
	C1863	CK73FXR0J106K	C CAPACITOR	10uF 6.3V K	1	
	C1870	CK73HXR1A105K	C CAPACITOR	1uF 10V K	1	
	C1871	CK73HXR1A105K	C CAPACITOR	1uF 10V K	1	
	C1872	CK73HBB1A104K	C CAPACITOR	0.1uF 10V K	1	
	C1873	CK73GXR1H104K	C CAPACITOR	0.1uF 50V K	1	
	C1880	CK73HBB1E103K	C CAPACITOR	0.01uF 25V K	1	
	C1881	CK73GXR1H104K	C CAPACITOR	0.1uF 50V K	1	
	C1882	CK73GXR1E105K	C CAPACITOR	1uF 25V K	1	
	C1883	CK730BF1E475K	C CAPACITOR	4.7uF 25V K	1	
	C1884	CK73GXR1E105K	C CAPACITOR	1uF 25V K	1	
	C1885	CK73GXR1E105K	C CAPACITOR	1uF 25V K	1	
	C1886	CK73GXR1E105K	C CAPACITOR	1uF 25V K	1	
	C1887	CK73GXR1H104K	C CAPACITOR	0.1uF 50V K	1	
	C1888	CK73GXR1H104K	C CAPACITOR	0.1uF 50V K	1	
	C1889	CK73GXR1E105K	C CAPACITOR	1uF 25V K	1	
	C1890	CK73GXR1H104K	C CAPACITOR	0.1uF 50V K	1	
	C1891	CK73FXR0J106K	C CAPACITOR	10uF 6.3V K	1	
	C1892	CK73HBB1A104K	C CAPACITOR	0.1uF 10V K	1	
	C1893	CK73HBB1A104K	C CAPACITOR	0.1uF 10V K	1	
	C1894	CK73GXR1H104K	C CAPACITOR	0.1uF 50V K	1	
	C1895	CK73FXR0J106K	C CAPACITOR	10uF 6.3V K	1	
	C1896	CK73HBB1A104K	C CAPACITOR	0.1uF 10V K	1	
	C1897	CK73HXR1A105K	C CAPACITOR	1uF 10V K	1	
	C1898	CK73HBB1A104K	C CAPACITOR	0.1uF 10V K	1	
	C1899	CK73FXR1C106K	C CAPACITOR	10uF 16V K	1	
	C1901	CK73FXR0J106K	C CAPACITOR	10uF 6.3V K	1	
	C1902	CK73GBB1H103K	C CAPACITOR	0.01uF 50V K	1	
	C1903	CK73HBB1C103K	C CAPACITOR	0.01uF 16V K	1	

MODEL	MARK	MODEL	MARK	MODEL	MARK	MODEL	MARK
KW-V120BTK	A	KW-V120MM2	B	KW-V220BTE	C	KW-V220BTK	D
KW-V220BTM	E	KW-V220BTMM2	F	KW-V220BTN	G	KW-V220BTQ	H
KW-V220BTR	I	KW-V220BTX	J				

Safe	Symbol No.	Parts No.	Parts Name	Description	QTY	Local
	C1904	CK73HBB1C103K	C CAPACITOR	0.01uF 16V K	1	
	C1905	CK73GBB1H103K	C CAPACITOR	0.01uF 50V K	1	
	C1906	CK73HBB1C103K	C CAPACITOR	0.01uF 16V K	1	
	C1907	CK73GBB1H103K	C CAPACITOR	0.01uF 50V K	1	
	C1908	CK73GBB1H103K	C CAPACITOR	0.01uF 50V K	1	
	C1909	CK73GBB1H103K	C CAPACITOR	0.01uF 50V K	1	
	C1910	CK73GBB1H471K	C CAPACITOR	470pF 50V K	1	
	C1911	CK73FXR0J106K	C CAPACITOR	10uF 6.3V K	1	
	C1912	CK73HBB1C103K	C CAPACITOR	0.01uF 16V K	1	
	C1913	CK73GBB1H103K	C CAPACITOR	0.01uF 50V K	1	
	C1915	CK73HBB1C103K	C CAPACITOR	0.01uF 16V K	1	
	C1916	CK73GBB1H103K	C CAPACITOR	0.01uF 50V K	1	
	C1917	CK73GBB1H103K	C CAPACITOR	0.01uF 50V K	1	
	C1918	CK73GBB1H103K	C CAPACITOR	0.01uF 50V K	1	
	C1919	CK73GBB1H103K	C CAPACITOR	0.01uF 50V K	1	
	C1920	CK73GBB1H103K	C CAPACITOR	0.01uF 50V K	1	
	C1921	CK73GBB1H103K	C CAPACITOR	0.01uF 50V K	1	
	C1922	CK73HBB1C103K	C CAPACITOR	0.01uF 16V K	1	
	C1923	CK73HBB1H471K	C CAPACITOR	470pF 50V K	1	
	C1925	CK73HBB1C103K	C CAPACITOR	0.01uF 16V K	1	
	C1926	CK73GBB1H103K	C CAPACITOR	0.01uF 50V K	1	
	C1929	CK73FXR0J106K	C CAPACITOR	10uF 6.3V K	1	
	C1940	CK73FXR1C475K	C CAPACITOR	4.7uF 16V K	1	
	C1941	CK73HBB1A104K	C CAPACITOR	0.1uF 10V K	1	
	C1942	CK73HBB1A104K	C CAPACITOR	0.1uF 10V K	1	
	C1943	CK73HBB1A104K	C CAPACITOR	0.1uF 10V K	1	
	C1944	CK73HBB1A104K	C CAPACITOR	0.1uF 10V K	1	
	C1984	CK73HBB1A104K	C CAPACITOR	0.1uF 10V K	1	A,C,D,E,F,G,H,I,J
	C1985	CK73FXR0J106K	C CAPACITOR	10uF 6.3V K	1	A,C,D,E,F,G,H,I,J
	C1986	CK73HXR1A105K	C CAPACITOR	1uF 10V K	1	A,C,D,E,F,G,H,I,J
	C1987	CK73HBB1C103K	C CAPACITOR	0.01uF 16V K	1	A,C,D,E,F,G,H,I,J
	C2001	CK73FXR1C475K	C CAPACITOR	4.7uF 16V K	1	
	C2003	CK73HBB1A104K	C CAPACITOR	0.1uF 10V K	1	
	C2004	CK73HBB1A104K	C CAPACITOR	0.1uF 10V K	1	
	C2005	CK73HBB1A104K	C CAPACITOR	0.1uF 10V K	1	
	C2006	CK73HXR1A105K	C CAPACITOR	1uF 10V K	1	
	C2007	CK73HBB1C103K	C CAPACITOR	0.01uF 16V K	1	
	C2009	CK73HBB1A104K	C CAPACITOR	0.1uF 10V K	1	
	C2010	CK73HBB1A104K	C CAPACITOR	0.1uF 10V K	1	
	C2011	CK73HXR1A105K	C CAPACITOR	1uF 10V K	1	
	C2012	CK73HBB1C103K	C CAPACITOR	0.01uF 16V K	1	
	C2013	CK73HXR1A105K	C CAPACITOR	1uF 10V K	1	
	C2014	CK73HXR1A105K	C CAPACITOR	1uF 10V K	1	
	C2015	CK73HBB1A104K	C CAPACITOR	0.1uF 10V K	1	
	C2017	CK73HBB1A104K	C CAPACITOR	0.1uF 10V K	1	
	C2019	CC73HCH1H101J	C CAPACITOR	100pF 50V J	1	
	C2020	CK73FXR1C475K	C CAPACITOR	4.7uF 16V K	1	
	C2021	CK73HBB1A104K	C CAPACITOR	0.1uF 10V K	1	
	C2022	CK73HBB1A104K	C CAPACITOR	0.1uF 10V K	1	
	C2023	CK73HBB1C103K	C CAPACITOR	0.01uF 16V K	1	
	C2024	CK73HBB1C103K	C CAPACITOR	0.01uF 16V K	1	
	C2025	CK73HBB1A104K	C CAPACITOR	0.1uF 10V K	1	
	C2026	CK73HBB1A104K	C CAPACITOR	0.1uF 10V K	1	
	C2027	CK73HBB1A104K	C CAPACITOR	0.1uF 10V K	1	
	C2028	CK73HBB1A104K	C CAPACITOR	0.1uF 10V K	1	
	C2029	CK73HBB1A104K	C CAPACITOR	0.1uF 10V K	1	
	C2030	CK73HBB1A104K	C CAPACITOR	0.1uF 10V K	1	
	C2031	CK730AU1A105K	C CAPACITOR	1uF 10V K	1	
	C2032	CK73HBB1A104K	C CAPACITOR	0.1uF 10V K	1	
	C2033	CK73HBB1A104K	C CAPACITOR	0.1uF 10V K	1	
	C2035	CC73HCH1H101J	C CAPACITOR	100pF 50V J	1	
	C2036	CK73HBB1A104K	C CAPACITOR	0.1uF 10V K	1	
	C2038	CC73HCH1H040C	C CAPACITOR	4pF 50V C	1	
	C2039	CK73GXR0J475K	C CAPACITOR	4.7uF 6.3V K	1	
	C2040	CK73HBB1A104K	C CAPACITOR	0.1uF 10V K	1	
	C2042	CC73HCH1H070D	C CAPACITOR	7pF 50V D	1	
	C2043	CC73HCH1H080D	C CAPACITOR	8pF 50V D	1	
	C2044	CK73GXR0J475K	C CAPACITOR	4.7uF 6.3V K	1	
	C2045	CC73HCH1H101J	C CAPACITOR	100pF 50V J	1	
	C2046	CK73GXR0J475K	C CAPACITOR	4.7uF 6.3V K	1	
	C2047	CC73HCH1H101J	C CAPACITOR	100pF 50V J	1	
	C2048	CK73FXR0J106K	C CAPACITOR	10uF 6.3V K	1	
	C2049	CK73HBB1C103K	C CAPACITOR	0.01uF 16V K	1	
	C2050	CK73FXR0J106K	C CAPACITOR	10uF 6.3V K	1	
	C2051	CK73HBB1C103K	C CAPACITOR	0.01uF 16V K	1	
	C2056	CK73HBB1H222K	C CAPACITOR	2200pF 50V K	1	
	C2057	CK73HBB1C103K	C CAPACITOR	0.01uF 16V K	1	
	C2058	CK73FXR0J106K	C CAPACITOR	10uF 6.3V K	1	
	C2059	CK73HXR0J474K	C CAPACITOR	0.47uF 6.3V K	1	
	C2060	CK73HXR0J474K	C CAPACITOR	0.47uF 6.3V K	1	
	C2063	CK73HBB1C103K	C CAPACITOR	0.01uF 16V K	1	
	C2064	CK73FXR0J106K	C CAPACITOR	10uF 6.3V K	1	
	C2067	CK73HBB1C473K	C CAPACITOR	0.047uF 16V K	1	
	C2072	CK73HXR1A105K	C CAPACITOR	1uF 10V K	1	
	C2073	CK73HXR1A105K	C CAPACITOR	1uF 10V K	1	
	C2083	CK73HBB1H472K	C CAPACITOR	4700pF 50V K	1	
	C2086	CK73HBB1C103K	C CAPACITOR	0.01uF 16V K	1	
	R1500	RK73HB1J000J	MG RESISTOR	0Ω 1/16W J	1	
	R1501	RK73HB1J000J	MG RESISTOR	0Ω 1/16W J	1	
	R1502	RK73HB1J101J	MG RESISTOR	100Ω 1/16W J	1	

MODEL	MARK	MODEL	MARK	MODEL	MARK	MODEL	MARK
KW-V120BTK	A	KW-V120MM2	B	KW-V220BTE	C	KW-V220BTK	D
KW-V220BTM	E	KW-V220BTMM2	F	KW-V220BTN	G	KW-V220BTQ	H
KW-V220BTR	I	KW-V220BTX	J				

Safe	Symbol No.	Parts No.	Parts Name	Description	QTY	Local
	R1503	RK73GB2A000J	MG RESISTOR	0Ω 1/10W J	1	
	R1504	RK73HB1J000J	MG RESISTOR	0Ω 1/16W J	1	
	R1600	RK73HB1J101J	MG RESISTOR	100Ω 1/16W J	1	
	R1601	RK73HB1J181J	MG RESISTOR	180Ω 1/16W J	1	
	R1602	RK73HB1J181J	MG RESISTOR	180Ω 1/16W J	1	
	R1603	RK73HB1J181J	MG RESISTOR	180Ω 1/16W J	1	
	R1604	RK73HB1J181J	MG RESISTOR	180Ω 1/16W J	1	
	R1605	RK73HB1J181J	MG RESISTOR	180Ω 1/16W J	1	
	R1606	RK73HB1J181J	MG RESISTOR	180Ω 1/16W J	1	
	R1607	RK73HB1J181J	MG RESISTOR	180Ω 1/16W J	1	
	R1608	RK73HB1J181J	MG RESISTOR	180Ω 1/16W J	1	
	R1609	RK73HB1J181J	MG RESISTOR	180Ω 1/16W J	1	
	R1610	RK73HB1J181J	MG RESISTOR	180Ω 1/16W J	1	
	R1611	RK73HB1J101J	MG RESISTOR	100Ω 1/16W J	1	
	R1612	RK73HB1J181J	MG RESISTOR	180Ω 1/16W J	1	
	R1613	RK73HB1J181J	MG RESISTOR	180Ω 1/16W J	1	
	R1614	RK73HB1J181J	MG RESISTOR	180Ω 1/16W J	1	
	R1615	RK73HB1J181J	MG RESISTOR	180Ω 1/16W J	1	
	R1616	RK73HB1J181J	MG RESISTOR	180Ω 1/16W J	1	
	R1617	RK73HB1J181J	MG RESISTOR	180Ω 1/16W J	1	
	R1618	RK73HB1J181J	MG RESISTOR	180Ω 1/16W J	1	
	R1619	RK73HB1J181J	MG RESISTOR	180Ω 1/16W J	1	
	R1620	RK73HB1J101J	MG RESISTOR	100Ω 1/16W J	1	
	R1621	RK73HB1J101J	MG RESISTOR	100Ω 1/16W J	1	
	R1622	RK73HB1J101J	MG RESISTOR	100Ω 1/16W J	1	
	R1623	RK73HB1J101J	MG RESISTOR	100Ω 1/16W J	1	
	R1624	RK73HB1J101J	MG RESISTOR	100Ω 1/16W J	1	
	R1625	RK73HB1J101J	MG RESISTOR	100Ω 1/16W J	1	
	R1626	RK73HB1J101J	MG RESISTOR	100Ω 1/16W J	1	
	R1627	RK73HB1J181J	MG RESISTOR	180Ω 1/16W J	1	
	R1628	RK73HB1J101J	MG RESISTOR	100Ω 1/16W J	1	
	R1645	RK73HB1J000J	MG RESISTOR	0Ω 1/16W J	1	
	R1646	RK73HB1J101J	MG RESISTOR	100Ω 1/16W J	1	
	R1647	RK73HB1J222J	MG RESISTOR	2.2kΩ 1/16W J	1	
	R1650	RK73HB1J000J	MG RESISTOR	0Ω 1/16W J	1	
	R1651	RK73HB1J000J	MG RESISTOR	0Ω 1/16W J	1	
	R1653	RK73HB1J330J	MG RESISTOR	33Ω 1/16W J	1	
	R1654	RK73HB1J330J	MG RESISTOR	33Ω 1/16W J	1	
	R1655	RK73HB1J330J	MG RESISTOR	33Ω 1/16W J	1	
	R1656	RK73HB1J330J	MG RESISTOR	33Ω 1/16W J	1	
	R1657	RK73HB1J000J	MG RESISTOR	0Ω 1/16W J	1	
	R1658	RK73HB1J000J	MG RESISTOR	0Ω 1/16W J	1	
	R1662	RK73HB1J473J	MG RESISTOR	47kΩ 1/16W J	1	
	R1663	RK73HB1J272J	MG RESISTOR	2.7kΩ 1/16W J	1	
	R1664	RK73HB1J473J	MG RESISTOR	47kΩ 1/16W J	1	
	R1665	RK73HB1J152J	MG RESISTOR	1.5kΩ 1/16W J	1	
	R1666	RK73HB1J105J	MG RESISTOR	1MΩ 1/16W J	1	
	R1668	RK73HB1J330J	MG RESISTOR	33Ω 1/16W J	1	
	R1671	RK73HB1J102J	MG RESISTOR	1kΩ 1/16W J	1	
	R1672	RK73HB1J000J	MG RESISTOR	0Ω 1/16W J	1	
	R1674	RK73HB1J181J	MG RESISTOR	180Ω 1/16W J	1	
	R1677	RK73HB1J223J	MG RESISTOR	22kΩ 1/16W J	1	
	R1678	RK73HB1J000J	MG RESISTOR	0Ω 1/16W J	1	
	R1685	RK73HB1J000J	MG RESISTOR	0Ω 1/16W J	1	
	R1691	RK73HB1J000J	MG RESISTOR	0Ω 1/16W J	1	
	R1771	RK73HB1J000J	MG RESISTOR	0Ω 1/16W J	1	
	R1773	RK73HB1J000J	MG RESISTOR	0Ω 1/16W J	1	
	R1775	RK73HB1J182J	MG RESISTOR	1.8kΩ 1/16W J	1	A,B,C,D,F,H,I
	R1776	RK73HB1J000J	MG RESISTOR	0Ω 1/16W J	1	E,G,J
	R1777	RK73HB1J000J	MG RESISTOR	0Ω 1/16W J	1	A,B,C,D,F,H,I
	R1778	RK73HB1J182J	MG RESISTOR	1.8kΩ 1/16W J	1	E,G,J
	R1779	RK73HB1J182J	MG RESISTOR	1.8kΩ 1/16W J	1	
	R1781	RK73HB1J100J	MG RESISTOR	10Ω 1/16W J	1	
	R1782	RK73HB1J100J	MG RESISTOR	10Ω 1/16W J	1	
	R1783	RK73HB1J101J	MG RESISTOR	100Ω 1/16W J	1	
	R1787	RK73GB2A103J	MG RESISTOR	10kΩ 1/10W J	1	
	R1789	RK73GH2A271D	MG RESISTOR	270Ω 1/10W D	1	
	R1791	RK73HB1J473J	MG RESISTOR	47kΩ 1/16W J	1	
	R1793	RK73GB2A000J	MG RESISTOR	0Ω 1/10W J	1	
	R1795	RK73HB1J000J	MG RESISTOR	0Ω 1/16W J	1	
	R1800	RK73PB2H5R1J	MG RESISTOR	5.1Ω 1/2W J	1	
	R1801	RK73PB2H5R1J	MG RESISTOR	5.1Ω 1/2W J	1	
	R1802	RK73PB2H5R1J	MG RESISTOR	5.1Ω 1/2W J	1	
	R1803	RK73PB2H5R1J	MG RESISTOR	5.1Ω 1/2W J	1	
	R1804	RK73PB2H5R1J	MG RESISTOR	5.1Ω 1/2W J	1	
	R1805	RK73PB2H5R1J	MG RESISTOR	5.1Ω 1/2W J	1	
	R1806	RK73PB2H5R1J	MG RESISTOR	5.1Ω 1/2W J	1	
	R1807	RK73PB2H5R1J	MG RESISTOR	5.1Ω 1/2W J	1	
	R1808	RK73PB2H5R1J	MG RESISTOR	5.1Ω 1/2W J	1	
	R1809	RK73PB2H5R1J	MG RESISTOR	5.1Ω 1/2W J	1	
	R1810	RK73HB1J101J	MG RESISTOR	100Ω 1/16W J	1	
	R1811	RK73HB1J101J	MG RESISTOR	100Ω 1/16W J	1	
	R1812	RK73HB1J101J	MG RESISTOR	100Ω 1/16W J	1	
	R1813	RK73HB1J101J	MG RESISTOR	100Ω 1/16W J	1	
	R1814	RK73HB1J101J	MG RESISTOR	100Ω 1/16W J	1	
	R1815	RK73HB1J101J	MG RESISTOR	100Ω 1/16W J	1	
	R1816	RK73HB1J101J	MG RESISTOR	100Ω 1/16W J	1	
	R1817	RK73HB1J101J	MG RESISTOR	100Ω 1/16W J	1	

MODEL	MARK	MODEL	MARK	MODEL	MARK	MODEL	MARK
KW-V120BTK	A	KW-V120MM2	B	KW-V220BTE	C	KW-V220BTK	D
KW-V220BTM	E	KW-V220BTMM2	F	KW-V220BTN	G	KW-V220BTQ	H
KW-V220BTR	I	KW-V220BTX	J				

Safe	Symbol No.	Parts No.	Parts Name	Description	QTY	Local
	R1818	RK73HB1J101J	MG RESISTOR	100Ω 1/16W J	1	
	R1820	RK73GH2A101D	MG RESISTOR	100Ω 1/10W D	1	
	R1821	RK73GH2A101D	MG RESISTOR	100Ω 1/10W D	1	
	R1822	RK73GH2A101D	MG RESISTOR	100Ω 1/10W D	1	
	R1823	RK73GH2A101D	MG RESISTOR	100Ω 1/10W D	1	
	R1824	RK73GH2A101D	MG RESISTOR	100Ω 1/10W D	1	
	R1825	RK73GH2A101D	MG RESISTOR	100Ω 1/10W D	1	
	R1826	RK73GH2A101D	MG RESISTOR	100Ω 1/10W D	1	
	R1827	RK73GH2A101D	MG RESISTOR	100Ω 1/10W D	1	
	R1828	RK73GH2A101D	MG RESISTOR	100Ω 1/10W D	1	
	R1830	RK73HH1J433D	MG RESISTOR	43kΩ 1/16W D	1	
	R1831	RK73HH1J913D	MG RESISTOR	91kΩ 1/16W D	1	
	R1832	RK73HH1J184D	MG RESISTOR	180kΩ 1/16W D	1	
	R1833	RK73HH1J434D	MG RESISTOR	430kΩ 1/16W D	1	
	R1834	RK73HH1J153D	MG RESISTOR	15kΩ 1/16W D	1	
	R1835	RK73HH1J153D	MG RESISTOR	15kΩ 1/16W D	1	
	R1836	RK73HB1J102J	MG RESISTOR	1kΩ 1/16W J	1	
	R1837	RK73GB2A472J	MG RESISTOR	4.7kΩ 1/10W J	1	
	R1838	RK73GB2A472J	MG RESISTOR	4.7kΩ 1/10W J	1	
	R1839	RK73HH1J620D	MG RESISTOR	62Ω 1/16W D	1	
	R1840	RK73HH1J161D	MG RESISTOR	160Ω 1/16W D	1	
	R1841	RK73HH1J430D	MG RESISTOR	43Ω 1/16W D	1	
	R1842	RK73HH1J360D	MG RESISTOR	36Ω 1/16W D	1	
	R1843	RK73HH1J101D	MG RESISTOR	100Ω 1/16W D	1	
	R1844	RK73HH1J161D	MG RESISTOR	160Ω 1/16W D	1	
	R1845	RK73HH1J101D	MG RESISTOR	100Ω 1/16W D	1	
	R1846	RK73HH1J360D	MG RESISTOR	36Ω 1/16W D	1	
	R1847	RK73HH1J430D	MG RESISTOR	43Ω 1/16W D	1	
	R1848	RK73HH1J161D	MG RESISTOR	160Ω 1/16W D	1	
	R1849	RK73HH1J101D	MG RESISTOR	100Ω 1/16W D	1	
	R1850	RK73HB1J000J	MG RESISTOR	0Ω 1/16W J	1	
	R1857	RK73HB1J000J	MG RESISTOR	0Ω 1/16W J	1	
	R1860	RK73GB2A000J	MG RESISTOR	0Ω 1/10W J	1	
	R1863	RK73GB2A000J	MG RESISTOR	0Ω 1/10W J	1	
	R1875	RK73HB1J332J	MG RESISTOR	3.3kΩ 1/16W J	1	
	R1876	RK73HB1J473J	MG RESISTOR	47kΩ 1/16W J	1	
	R1877	RK73GB2A331J	MG RESISTOR	330Ω 1/10W J	1	
	R1878	RK73HB1J000J	MG RESISTOR	0Ω 1/16W J	1	
	R1879	RK73HB1J473J	MG RESISTOR	47kΩ 1/16W J	1	
	R1880	RK73HB1J105J	MG RESISTOR	1MΩ 1/16W J	1	
	R1881	RK73HB1J332J	MG RESISTOR	3.3kΩ 1/16W J	1	
	R1882	RK73EB2E102J	MG RESISTOR	1kΩ 1/4W J	1	
	R1885	RK73HB1J471J	MG RESISTOR	470Ω 1/16W J	1	
	R1887	RK73PB2H101J	MG RESISTOR	100Ω 1/2W J	1	
	R1888	RK73PB2H101J	MG RESISTOR	100Ω 1/2W J	1	
	R1889	RK73HB1J472J	MG RESISTOR	4.7kΩ 1/16W J	1	
	R1890	RK73HB1J104J	MG RESISTOR	100kΩ 1/16W J	1	
	R1891	RK73HH1J472D	MG RESISTOR	4.7kΩ 1/16W D	1	
	R1892	RK73HB1J000J	MG RESISTOR	0Ω 1/16W J	1	
	R1893	RK73HH1J103D	MG RESISTOR	10kΩ 1/16W D	1	
	R1894	RK73HB1J472J	MG RESISTOR	4.7kΩ 1/16W J	1	
	R1895	RK73HB1J000J	MG RESISTOR	0Ω 1/16W J	1	
	R1896	RK73EB2E392J	MG RESISTOR	3.9kΩ 1/4W J	1	
	R1897	RK73HB1J471J	MG RESISTOR	470Ω 1/16W J	1	
	R1898	RK73HB1J183J	MG RESISTOR	18kΩ 1/16W J	1	
	R1899	RK73HB1J183J	MG RESISTOR	18kΩ 1/16W J	1	
	R1900	RK73HB1J330J	MG RESISTOR	33Ω 1/16W J	1	
	R1901	RK73HB1J330J	MG RESISTOR	33Ω 1/16W J	1	
	R1902	RK73HB1J330J	MG RESISTOR	33Ω 1/16W J	1	
	R1903	RK73HB1J330J	MG RESISTOR	33Ω 1/16W J	1	
	R1904	RK73HB1J330J	MG RESISTOR	33Ω 1/16W J	1	
	R1905	RK73HB1J330J	MG RESISTOR	33Ω 1/16W J	1	
	R1906	RK73HB1J330J	MG RESISTOR	33Ω 1/16W J	1	
	R1907	RK73HB1J330J	MG RESISTOR	33Ω 1/16W J	1	
	R1908	RK73HB1J330J	MG RESISTOR	33Ω 1/16W J	1	
	R1909	RK73HB1J330J	MG RESISTOR	33Ω 1/16W J	1	
	R1910	RK73HB1J330J	MG RESISTOR	33Ω 1/16W J	1	
	R1911	RK73HB1J330J	MG RESISTOR	33Ω 1/16W J	1	
	R1912	RK73HB1J330J	MG RESISTOR	33Ω 1/16W J	1	
	R1913	RK73HB1J330J	MG RESISTOR	33Ω 1/16W J	1	
	R1914	RK73GB2A330J	MG RESISTOR	33Ω 1/10W J	1	
	R1915	RK73HB1J330J	MG RESISTOR	33Ω 1/16W J	1	
	R1916	RK73HB1J330J	MG RESISTOR	33Ω 1/16W J	1	
	R1917	RK73HB1J330J	MG RESISTOR	33Ω 1/16W J	1	
	R1918	RK73HB1J330J	MG RESISTOR	33Ω 1/16W J	1	
	R1919	RK73HB1J330J	MG RESISTOR	33Ω 1/16W J	1	
	R1920	RK73HB1J330J	MG RESISTOR	33Ω 1/16W J	1	
	R1921	RK73HB1J330J	MG RESISTOR	33Ω 1/16W J	1	
	R1922	RK73HB1J330J	MG RESISTOR	33Ω 1/16W J	1	
	R1923	RK73HB1J330J	MG RESISTOR	33Ω 1/16W J	1	
	R1924	RK73HB1J330J	MG RESISTOR	33Ω 1/16W J	1	
	R1925	RK73HB1J330J	MG RESISTOR	33Ω 1/16W J	1	
	R1926	RK73HB1J330J	MG RESISTOR	33Ω 1/16W J	1	
	R1927	RK73HB1J330J	MG RESISTOR	33Ω 1/16W J	1	
	R1928	RK73HB1J330J	MG RESISTOR	33Ω 1/16W J	1	
	R1929	RK73HB1J330J	MG RESISTOR	33Ω 1/16W J	1	
	R1930	RK73HB1J330J	MG RESISTOR	33Ω 1/16W J	1	
	R1931	RK73HB1J330J	MG RESISTOR	33Ω 1/16W J	1	
	R1932	RK73HH1J470D	MG RESISTOR	47Ω 1/16W D	1	
	R1933	RK73HB1J000J	MG RESISTOR	0Ω 1/16W J	1	

MODEL	MARK	MODEL	MARK	MODEL	MARK	MODEL	MARK
KW-V120BTK	A	KW-V120MM2	B	KW-V220BTE	C	KW-V220BTK	D
KW-V220BTM	E	KW-V220BTMM2	F	KW-V220BTN	G	KW-V220BTQ	H
KW-V220BTR	I	KW-V220BTX	J				

Safe	Symbol No.	Parts No.	Parts Name	Description	QTY	Local
	R1934	RK73HB1J103J	MG RESISTOR	10kΩ 1/16W J	1	
	R1936	RK73HB1J000J	MG RESISTOR	0Ω 1/16W J	1	
	R1937	RK73HB1J000J	MG RESISTOR	0Ω 1/16W J	1	
	R1938	RK73GB2A000J	MG RESISTOR	0Ω 1/10W J	1	
	R1941	RK73HB1J000J	MG RESISTOR	0Ω 1/16W J	1	
	R1979	RK73EB2E000J	MG RESISTOR	0Ω 1/4W J	1	
	R1980	RK73HB1J220J	MG RESISTOR	22Ω 1/16W J	1	A,C,D,E,F,G,H,I,J
	R1982	RK73HB1J103J	MG RESISTOR	10kΩ 1/16W J	1	A,C,D,E,F,G,H,I,J
	R1983	RK73HB1J103J	MG RESISTOR	10kΩ 1/16W J	1	A,C,D,E,F,G,H,I,J
	R1990	RK73HB1J220J	MG RESISTOR	22Ω 1/16W J	1	A,C,D,E,F,G,H,I,J
	R1991	RK73HB1J220J	MG RESISTOR	22Ω 1/16W J	1	A,C,D,E,F,G,H,I,J
	R1992	RK73HB1J220J	MG RESISTOR	22Ω 1/16W J	1	A,C,D,E,F,G,H,I,J
	R1993	RK73HB1J220J	MG RESISTOR	22Ω 1/16W J	1	A,C,D,E,F,G,H,I,J
	R1994	RK73HB1J220J	MG RESISTOR	22Ω 1/16W J	1	A,C,D,E,F,G,H,I,J
	R1995	RK73HB1J220J	MG RESISTOR	22Ω 1/16W J	1	A,C,D,E,F,G,H,I,J
	R1996	RK73HB1J220J	MG RESISTOR	22Ω 1/16W J	1	A,C,D,E,F,G,H,I,J
	R1997	RK73HB1J220J	MG RESISTOR	22Ω 1/16W J	1	A,C,D,E,F,G,H,I,J
	R1998	RK73HB1J220J	MG RESISTOR	22Ω 1/16W J	1	A,C,D,E,F,G,H,I,J
	R1999	RK73HB1J220J	MG RESISTOR	22Ω 1/16W J	1	A,C,D,E,F,G,H,I,J
	R2003	RK73HB1J101J	MG RESISTOR	100Ω 1/16W J	1	
	R2004	RK73HB1J101J	MG RESISTOR	100Ω 1/16W J	1	
	R2005	RK73HB1J101J	MG RESISTOR	100Ω 1/16W J	1	
	R2006	RK73HB1J101J	MG RESISTOR	100Ω 1/16W J	1	
	R2007	RK73HB1J101J	MG RESISTOR	100Ω 1/16W J	1	
	R2010	RK73HB1J222J	MG RESISTOR	2.2kΩ 1/16W J	1	
	R2011	RK73GB2A222J	MG RESISTOR	2.2kΩ 1/10W J	1	
	R2013	RK73HB1J103J	MG RESISTOR	10kΩ 1/16W J	1	
	R2014	RK73HB1J472J	MG RESISTOR	4.7kΩ 1/16W J	1	
	R2015	RK73HB1J103J	MG RESISTOR	10kΩ 1/16W J	1	
	R2016	RK73HB1J103J	MG RESISTOR	10kΩ 1/16W J	1	
	R2017	RK73HB1J103J	MG RESISTOR	10kΩ 1/16W J	1	
	R2022	RK73HB1J222J	MG RESISTOR	2.2kΩ 1/16W J	1	
	R2023	RK73HB1J392J	MG RESISTOR	3.9kΩ 1/16W J	1	
	R2024	RK73HB1J392J	MG RESISTOR	3.9kΩ 1/16W J	1	
	R2025	RK73GB2A472J	MG RESISTOR	4.7kΩ 1/10W J	1	
	R2026	RK73GB2A473J	MG RESISTOR	47kΩ 1/10W J	1	
	R2029	RK73HB1J103J	MG RESISTOR	10kΩ 1/16W J	1	
	R2030	RK73HB1J101J	MG RESISTOR	100Ω 1/16W J	1	
	R2031	RK73HB1J000J	MG RESISTOR	0Ω 1/16W J	1	
	R2034	RK73GB2A330J	MG RESISTOR	33Ω 1/10W J	1	
	R2035	RK73HB1J101J	MG RESISTOR	100Ω 1/16W J	1	
	R2036	RK73HB1J101J	MG RESISTOR	100Ω 1/16W J	1	
	R2037	RK73HB1J222J	MG RESISTOR	2.2kΩ 1/16W J	1	
	R2038	RK73HB1J000J	MG RESISTOR	0Ω 1/16W J	1	
	R2039	RK73HB1J222J	MG RESISTOR	2.2kΩ 1/16W J	1	
	R2040	RK73GB2A101J	MG RESISTOR	100Ω 1/10W J	1	
	R2041	RK73HB1J472J	MG RESISTOR	4.7kΩ 1/16W J	1	
	R2042	RK73HB1J103J	MG RESISTOR	10kΩ 1/16W J	1	
	R2045	RK73HB1J330J	MG RESISTOR	33Ω 1/16W J	1	
	R2046	RK73HB1J330J	MG RESISTOR	33Ω 1/16W J	1	
	R2047	RK73HB1J330J	MG RESISTOR	33Ω 1/16W J	1	
	R2048	RK73HB1J101J	MG RESISTOR	100Ω 1/16W J	1	
	R2051	RK73HB1J330J	MG RESISTOR	33Ω 1/16W J	1	
	R2054	RK73HB1J330J	MG RESISTOR	33Ω 1/16W J	1	
	R2056	RK73HB1J330J	MG RESISTOR	33Ω 1/16W J	1	
	R2057	RK73HB1J330J	MG RESISTOR	33Ω 1/16W J	1	
	R2058	RK73HB1J103J	MG RESISTOR	10kΩ 1/16W J	1	
	R2061	RK73HB1J330J	MG RESISTOR	33Ω 1/16W J	1	
	R2062	RK73HB1J330J	MG RESISTOR	33Ω 1/16W J	1	
	R2063	RK73HB1J330J	MG RESISTOR	33Ω 1/16W J	1	
	R2064	RK73HB1J330J	MG RESISTOR	33Ω 1/16W J	1	
	R2065	RK73HB1J330J	MG RESISTOR	33Ω 1/16W J	1	
	R2066	RK73HB1J330J	MG RESISTOR	33Ω 1/16W J	1	
	R2067	RK73HB1J330J	MG RESISTOR	33Ω 1/16W J	1	
	R2068	RK73HB1J330J	MG RESISTOR	33Ω 1/16W J	1	
	R2069	RK73GB2A222J	MG RESISTOR	2.2kΩ 1/10W J	1	
	R2074	RK73HB1J330J	MG RESISTOR	33Ω 1/16W J	1	
	R2075	RK73HB1J330J	MG RESISTOR	33Ω 1/16W J	1	
	R2076	RK73HB1J330J	MG RESISTOR	33Ω 1/16W J	1	
	R2077	RK73HB1J103J	MG RESISTOR	10kΩ 1/16W J	1	
	R2081	RK73GB2A330J	MG RESISTOR	33Ω 1/10W J	1	
	R2082	RK73GB2A330J	MG RESISTOR	33Ω 1/10W J	1	
	R2083	RK73HB1J330J	MG RESISTOR	33Ω 1/16W J	1	
	R2084	RK73HB1J330J	MG RESISTOR	33Ω 1/16W J	1	
	R2086	RK73HB1J332J	MG RESISTOR	3.3kΩ 1/16W J	1	
	R2087	RK73HB1J332J	MG RESISTOR	3.3kΩ 1/16W J	1	
	R2088	RK73HB1J332J	MG RESISTOR	3.3kΩ 1/16W J	1	
	R2090	RK73HB1J000J	MG RESISTOR	0Ω 1/16W J	1	
	R2091	RK73HB1J000J	MG RESISTOR	0Ω 1/16W J	1	
	R2092	RK73HB1J332J	MG RESISTOR	3.3kΩ 1/16W J	1	
	R2093	RK73HB1J000J	MG RESISTOR	0Ω 1/16W J	1	
	R2094	RK73HB1J000J	MG RESISTOR	0Ω 1/16W J	1	
	R2095	RK73HB1J332J	MG RESISTOR	3.3kΩ 1/16W J	1	
	R2099	RK73HB1J393J	MG RESISTOR	39kΩ 1/16W J	1	
	R2100	RK73HB1J823J	MG RESISTOR	82kΩ 1/16W J	1	
	R2101	RK73HB1J103J	MG RESISTOR	10kΩ 1/16W J	1	
	R2102	RK73HB1J103J	MG RESISTOR	10kΩ 1/16W J	1	
	R2103	RK73HB1J103J	MG RESISTOR	10kΩ 1/16W J	1	

MODEL	MARK	MODEL	MARK	MODEL	MARK	MODEL	MARK
KW-V120BTK	A	KW-V120MM2	B	KW-V220BTE	C	KW-V220BTK	D
KW-V220BTM	E	KW-V220BTMM2	F	KW-V220BTN	G	KW-V220BTQ	H
KW-V220BTR	I	KW-V220BTX	J				

Safe	Symbol No.	Parts No.	Parts Name	Description	QTY	Local	
	R2104	RK73HB1J101J	MG RESISTOR	100Ω 1/16W J	1		
	R2105	RK73HB1J101J	MG RESISTOR	100Ω 1/16W J	1		
	R2106	RK73HB1J101J	MG RESISTOR	100Ω 1/16W J	1		
	R2107	RK73HB1J103J	MG RESISTOR	10kΩ 1/16W J	1		
	R2108	RK73HB1J302J	MG RESISTOR	3kΩ 1/16W J	1		
	R2109	RK73HB1J101J	MG RESISTOR	100Ω 1/16W J	1		
	R2112	RK73HB1J101J	MG RESISTOR	100Ω 1/16W J	1		
	R2113	RK73HB1J101J	MG RESISTOR	100Ω 1/16W J	1		
	R2114	RK73HB1J181J	MG RESISTOR	180Ω 1/16W J	1		
	R2115	RK73HB1J181J	MG RESISTOR	180Ω 1/16W J	1		
	R2116	RK73HB1J000J	MG RESISTOR	0Ω 1/16W J	1		
	R2117	RK73HB1J105J	MG RESISTOR	1MΩ 1/16W J	1		
	R2118	RK73HB1J000J	MG RESISTOR	0Ω 1/16W J	1		
	R2120	RK73HB1J101J	MG RESISTOR	100Ω 1/16W J	1		
	R2121	RK73HB1J101J	MG RESISTOR	100Ω 1/16W J	1		
	R2126	RK73HB1J181J	MG RESISTOR	180Ω 1/16W J	1		
	R2127	RK73HB1J181J	MG RESISTOR	180Ω 1/16W J	1		
	R2128	RK73HB1J181J	MG RESISTOR	180Ω 1/16W J	1		
	R2129	RK73HB1J181J	MG RESISTOR	180Ω 1/16W J	1		
	R2130	RK73GB2A181J	MG RESISTOR	180Ω 1/10W J	1		
	R2131	RK73HB1J181J	MG RESISTOR	180Ω 1/16W J	1		
	R2133	RK73HB1J101J	MG RESISTOR	100Ω 1/16W J	1		
	R2134	RK73HB1J102J	MG RESISTOR	1kΩ 1/16W J	1		
	R2135	RK73HB1J101J	MG RESISTOR	100Ω 1/16W J	1		
	R2136	RK73HB1J181J	MG RESISTOR	180Ω 1/16W J	1		
	R2137	RK73HB1J181J	MG RESISTOR	180Ω 1/16W J	1		
	R2138	RK73HB1J181J	MG RESISTOR	180Ω 1/16W J	1		
	R2139	RK73HB1J000J	MG RESISTOR	0Ω 1/16W J	1		
	R2140	RK73HB1J181J	MG RESISTOR	180Ω 1/16W J	1		
	R2141	RK73HB1J181J	MG RESISTOR	180Ω 1/16W J	1		
	R2142	RK73HB1J181J	MG RESISTOR	180Ω 1/16W J	1		
	R2143	RK73HB1J181J	MG RESISTOR	180Ω 1/16W J	1		
	R2145	RK73HB1J101J	MG RESISTOR	100Ω 1/16W J	1		
	R2147	RK73HB1J103J	MG RESISTOR	10kΩ 1/16W J	1		
	R2150	RK73HB1J181J	MG RESISTOR	180Ω 1/16W J	1		
	R2151	RK73HB1J181J	MG RESISTOR	180Ω 1/16W J	1		
	R2152	RK73HB1J181J	MG RESISTOR	180Ω 1/16W J	1		
	R2153	RK73HB1J181J	MG RESISTOR	180Ω 1/16W J	1		
	R2154	RK73HB1J181J	MG RESISTOR	180Ω 1/16W J	1		
	R2155	RK73HB1J181J	MG RESISTOR	180Ω 1/16W J	1		
	R2157	RK73HB1J000J	MG RESISTOR	0Ω 1/16W J	1		
	R2182	RK73HH1J622D	MG RESISTOR	6.2kΩ 1/16W D	1		
	R2183	RK73HH1J113D	MG RESISTOR	11kΩ 1/16W D	1		
	R2184	RK73GB2A000J	MG RESISTOR	0Ω 1/10W J	1		
	L1601	LB73G0BK-003	CHIP FERRITE		1		
	L1602	LB73G0BK-003	CHIP FERRITE		1		
	L1603	LB73G0BK-003	CHIP FERRITE		1		
	L1604	LB73G0BK-003	CHIP FERRITE		1		
	L1626	NQR0559-010X	FERRITE BEADS		1		
	L1627	NQR0559-008X	FERRITE BEADS		1		
	L2000	LR73Z0AD4R7M	CHIP INDUCTOR	4.7uH	1		
	L2001	LR73Z0AD4R7M	CHIP INDUCTOR	4.7uH	1		
	L2002	LB73H0BU-005	CHIP FERRITE		1		
	L2003	NQR0559-010X	FERRITE BEADS		1		
	L2004	LR73Z0AD4R7M	CHIP INDUCTOR	4.7uH	1	A,C,D,E,F,G,H,I,J	
	L2006	LB73G0BK-006	CHIP FERRITE		1		
	L2008	LB73G0BK-006	CHIP FERRITE		1		
	L2070	NQR0286-010X	FERRITE BEADS		1		
	L2071	NQR0286-010X	FERRITE BEADS		1		
	L2072	NQR0286-010X	FERRITE BEADS		1		
	L2073	NQR0286-010X	FERRITE BEADS		1		
	CN1770	QGF0534F7-10X	FFC/FPC CONNE	FFC/FPC (1-10)	1		
	CN1773	QGF0534F7-08X	FFC/FPC CONNE	FFC/FPC (1-8)	1		
	CN1790	EC710AU-1004A	FFC FPC CONNE		1		
	CN1800	QGF0534F7-60X	FFC/FPC CONNE	FFC/FPC (1-60)	1		
	CN1805	QGA3501F1-02X	CONNECTOR	W-B (1-2)	1		
	CN1980	W0C-0167-00	CIRCUIT MODULE		1	A,C,D,E,F,G,H,I,J	
	CN2000	QGF0534F7-60X	FFC/FPC CONNE	FFC/FPC (1-60)	1		
	P2001	E2D-0044-00	GROUND TERMINAL		1		
	X1502	L7J-0092-00	QUARTZ CRYSTAL		1		
	X1600	L7J-0101-00	QUARTZ CRYSTAL		1		
	DIGITAL IO PWB ASSY (XJA-0370-10) <XJA>						
	C802	CK73GBB1H471K	C CAPACITOR	470pF 50V K	1		
	CN801	EA710AP-2005A	W TO B CONNE		1		
	J801	E5J-0069-00	USB TERMINAL		1		
	DAUGHTER PWB ASSY (XJF-011x-x1) <XJF>						
	D1	DZ2J068M	ZENER DIODE		1	D,E,F	
	C9	CK73HBB1C104K	C CAPACITOR	0.1uF 16V K	1	B,D,E,F,G,J	
	C18	CK73HBB1H102K	C CAPACITOR	1000pF 50V K	1	D,E,F	
	C19	CK73HBB1H102K	C CAPACITOR	1000pF 50V K	1	D,E,F	
	C20	CK73HBB1H102K	C CAPACITOR	1000pF 50V K	1	D,E,F	
	C21	CK73HBB1H102K	C CAPACITOR	1000pF 50V K	1	D,E,F	
	C22	CK73GBB1C105K	C CAPACITOR	1uF 16V K	1	D,E,F	
	C23	CK73GXR0J106M	C CAPACITOR	10uF 6.3V M	1	D,E,F	
	C24	CK73GBB1C105K	C CAPACITOR	1uF 16V K	1	D,E,F	
	C25	CK73GBB1C104K	C CAPACITOR	0.1uF 16V K	1	E,F	
	R20	RK73GB2A101J	MG RESISTOR	100Ω 1/10W J	1	D,E,F	
	R23	RK73GB2A101J	MG RESISTOR	100Ω 1/10W J	1	D,E,F	
	R24	RK73GB2A102J	MG RESISTOR	1kΩ 1/10W J	1	D,E,F	
	R25	RK73GB2A101J	MG RESISTOR	100Ω 1/10W J	1	D,E,F	

MODEL	MARK	MODEL	MARK	MODEL	MARK	MODEL	MARK
KW-V120BTK	A	KW-V120MM2	B	KW-V220BTE	C	KW-V220BTK	D
KW-V220BTM	E	KW-V220BTMM2	F	KW-V220BTN	G	KW-V220BTQ	H
KW-V220BTR	I	KW-V220BTX	J				

Safe	Symbol No.	Parts No.	Parts Name	Description	QTY	Local
	R26	RK73GB2A100J	MG RESISTOR	10Ω 1/10W J	1	D,E,F
	R27	RK73GB2A4R7J	MG RESISTOR	4.7Ω 1/10W J	1	D,E,F
	R28	RK73GB2A100J	MG RESISTOR	10Ω 1/10W J	1	D,E,F
	R29	RK73GB2A100J	MG RESISTOR	10Ω 1/10W J	1	E,F
	R30	RK73HB1J000J	MG RESISTOR	0Ω 1/16W J	1	D,E,F
	R31	RK73GB2A101J	MG RESISTOR	100Ω 1/10W J	1	E,F
	R32	RK73HB1J000J	MG RESISTOR	0Ω 1/16W J	1	D,E,F
	R33	RK73GB2A101J	MG RESISTOR	100Ω 1/10W J	1	E,F
	R34	RK73HB1J000J	MG RESISTOR	0Ω 1/16W J	1	D,E,F
	R35	RK73GB2A101J	MG RESISTOR	100Ω 1/10W J	1	E,F
	R36	RK73HH1J750D	MG RESISTOR	75Ω 1/16W D	1	E,F
	R37	RK73HH1J750D	MG RESISTOR	75Ω 1/16W D	1	E,F
	R38	RK73HH1J750D	MG RESISTOR	75Ω 1/16W D	1	E,F
	R39	RK73HH1J750D	MG RESISTOR	75Ω 1/16W D	1	E,F
	R44	RK73GB2A101J	MG RESISTOR	100Ω 1/10W J	1	B,E,F,G,J
	R45	RK73GB2A101J	MG RESISTOR	100Ω 1/10W J	1	B,E,F,G,J
	R46	RK73GB2A000J	MG RESISTOR	0Ω 1/10W J	1	B,D,E,F,G,J
	CN1	QGA2501C1-02	W TO B CONNE	W-B (1-2)	1	D
	CN4	QGF0534F7-22X	FFC/FPC CONNE	FFC/FPC (1-22)	1	B,D,E,F,G,J
△	F1	F53-0513-08	PATTERN FUSE	4A	1	A,B,C,D,E,F,G,H,I,J
△	F3	F53-0513-08	PATTERN FUSE	4A	1	A,B,C,D,E,F,G,H,I,J
△	F4	F53-0513-08	PATTERN FUSE	4A	1	A,B,C,D,E,F,G,H,I,J
	J2	QNZ0907-001	CIR CONNECTOR		1	D
	J3	QND0162-001	DIN CONNECTOR		1	E,F
	J4	QNS0307-001	3.5 JACK		1	B,E,F,G,J
	VA4	NAF0044-270X	VARISTOR(ZNR)		1	D,E,F
	VA5	NAF0044-270X	VARISTOR(ZNR)		1	D,E,F
	VA6	NAF0045-180X	VARISTOR(ZNR)		1	D,E,F
	VA7	NAF0045-180X	VARISTOR(ZNR)		1	D,E,F
	VA8	NAF0045-180X	VARISTOR(ZNR)		1	D,E,F
	VA9	NAF0045-180X	VARISTOR(ZNR)		1	D,E,F
	VA10	NAF0044-270X	VARISTOR(ZNR)		1	E,F
	VA11	NAF0044-270X	VARISTOR(ZNR)		1	E,F
	VA12	NAF0044-270X	VARISTOR(ZNR)		1	E,F
	VA13	NAF0044-270X	VARISTOR(ZNR)		1	E,F
	VA14	NAF0045-180X	VARISTOR(ZNR)		1	B,E,F,G,J
	VA15	NAF0045-180X	VARISTOR(ZNR)		1	B,E,F,G,J
DVD MECHA PWB ASSY (XJE-0200-00) <XJE>						
	IC1	BD8205EFV-M	BIPOLAR IC		1	
	IC301	MN2DS0041MD	IC		1	
	IC381	WZZ-0041-00	PROGRAMMED IC		1	
	IC391	M12L128168A6TG	SV-DRAM IC		1	
	IC551	MF1337S395901	MCU IC		1	
	IC921	BD12KA5FP-X	IC		1	
	Q12	LTC044EEBFS8	DIGI TRANSISTOR		1	
	Q101	2SB1709MG	TRANSISTOR		1	
	Q102	2SB1709MG	TRANSISTOR		1	
	Q103	LTC014EEBFS8	DIGI TRANSISTOR		1	
	Q107	UMX1N-W	PAIR TRANSISTOR		1	
	Q108	SSM6N15AFEM	DUAL FET		1	
	Q302	LTC044EEBFS8	DIGI TRANSISTOR		1	
	C1	CK73EXR1C226M	C CAPACITOR	22uF 16V M	1	
	C4	CK73FXR0J226M	C CAPACITOR	22uF 6.3V M	1	
	C5	CK73FXR0J226M	C CAPACITOR	22uF 6.3V M	1	
	C6	CK73FXR0J226M	C CAPACITOR	22uF 6.3V M	1	
	C7	CK73FXR0J226M	C CAPACITOR	22uF 6.3V M	1	
	C8	CK73FXR0J226M	C CAPACITOR	22uF 6.3V M	1	
	C9	CK73HBB1H222K	C CAPACITOR	2200pF 50V K	1	
	C10	CK73HBB1H222K	C CAPACITOR	2200pF 50V K	1	
	C11	CK73HBB1H222K	C CAPACITOR	2200pF 50V K	1	
	C12	CK73HBB1H222K	C CAPACITOR	2200pF 50V K	1	
	C14	CK73HBB1H471K	C CAPACITOR	470pF 50V K	1	
	C20	CK73HXR1C104K	C CAPACITOR	0.1uF 16V K	1	
	C26	CK73HBB1H472K	C CAPACITOR	4700pF 50V K	1	
	C27	CK73HBB1H471K	C CAPACITOR	470pF 50V K	1	
	C28	CK73HBB1H471K	C CAPACITOR	470pF 50V K	1	
	C29	CK73HBB1H471K	C CAPACITOR	470pF 50V K	1	
	C30	CK73HBB1H471K	C CAPACITOR	470pF 50V K	1	
	C31	CK73HBB1H471K	C CAPACITOR	470pF 50V K	1	
	C32	CK73GBB1H471K	C CAPACITOR	470pF 50V K	1	
	C33	CK73HBB1H471K	C CAPACITOR	470pF 50V K	1	
	C34	CK73HBB1H471K	C CAPACITOR	470pF 50V K	1	
	C35	CK73HBB1H472K	C CAPACITOR	4700pF 50V K	1	
	C36	CK73HBB1H472K	C CAPACITOR	4700pF 50V K	1	
	C101	CK730BS0J105K	C CAPACITOR	1uF 6.3V K	1	
	C102	CK730BY0J476M	C CAPACITOR	47uF 6.3V M	1	
	C103	CK730BY0J476M	C CAPACITOR	47uF 6.3V M	1	
	C105	CK73HBB1A104K	C CAPACITOR	0.1uF 10V K	1	
	C106	CK73HBB1A104K	C CAPACITOR	0.1uF 10V K	1	
	C107	CK73HBB1A104K	C CAPACITOR	0.1uF 10V K	1	
	C108	CK73HBB1A104K	C CAPACITOR	0.1uF 10V K	1	
	C109	CK73HBB1A104K	C CAPACITOR	0.1uF 10V K	1	
	C110	CK73HBB1A104K	C CAPACITOR	0.1uF 10V K	1	
	C111	CK730BS0J105K	C CAPACITOR	1uF 6.3V K	1	
	C112	CK730BW0J226M	C CAPACITOR	22uF 6.3V M	1	
	C113	CK73HBB1A104K	C CAPACITOR	0.1uF 10V K	1	
	C121	CK73HBB1A104K	C CAPACITOR	0.1uF 10V K	1	
	C122	CK73HBB1C333K	C CAPACITOR	0.033uF 16V K	1	
	C123	CK73HBB1A104K	C CAPACITOR	0.1uF 10V K	1	

MODEL	MARK	MODEL	MARK	MODEL	MARK	MODEL	MARK
KW-V120BTK	A	KW-V120MM2	B	KW-V220BTE	C	KW-V220BTK	D
KW-V220BTM	E	KW-V220BTMM2	F	KW-V220BTN	G	KW-V220BTQ	H
KW-V220BTR	I	KW-V220BTX	J				

Safe	Symbol No.	Parts No.	Parts Name	Description	QTY	Local
	C124	CK73HBB1A104K	C CAPACITOR	0.1uF 10V K	1	
	C133	NCJA1AK-684W-A	C CAPACITOR	0.68uF 10V K	1	
	C134	NCJA1AK-684W-A	C CAPACITOR	0.68uF 10V K	1	
	C135	CK73HBB1A104K	C CAPACITOR	0.1uF 10V K	1	
	C136	CK73HBB1A104K	C CAPACITOR	0.1uF 10V K	1	
	C137	CK73HBB1A104K	C CAPACITOR	0.1uF 10V K	1	
	C138	CK73HBB1A104K	C CAPACITOR	0.1uF 10V K	1	
	C151	CK73HBB1A104K	C CAPACITOR	0.1uF 10V K	1	
	C170	CK73HBB1A104K	C CAPACITOR	0.1uF 10V K	1	
	C201	CK73FXR0J226M	C CAPACITOR	22uF 6.3V M	1	
	C202	CK73HXR1C104K	C CAPACITOR	0.1uF 16V K	1	
	C203	CK73HXR1C104K	C CAPACITOR	0.1uF 16V K	1	
	C204	CK73GXR0J475K	C CAPACITOR	4.7uF 6.3V K	1	
	C210	CK73HBB1H152K	C CAPACITOR	1500pF 50V K	1	
	C211	CC73HCH1H151J	C CAPACITOR	150pF 50V J	1	
	C241	CK73GBB1H392K	C CAPACITOR	3900pF 50V K	1	
	C291	CK73GBB1H332K	C CAPACITOR	3300pF 50V K	1	
	C294	CK73GBB1H103K	C CAPACITOR	0.01uF 50V K	1	
	C301	CK73HBB1A104K	C CAPACITOR	0.1uF 10V K	1	
	C302	CK73HBB1A104K	C CAPACITOR	0.1uF 10V K	1	
	C303	CK73HBB1A104K	C CAPACITOR	0.1uF 10V K	1	
	C304	CK73HBB1A104K	C CAPACITOR	0.1uF 10V K	1	
	C305	CK73HBB1A104K	C CAPACITOR	0.1uF 10V K	1	
	C306	CK73HBB1A104K	C CAPACITOR	0.1uF 10V K	1	
	C307	CK73HBB1A104K	C CAPACITOR	0.1uF 10V K	1	
	C311	CK73HBB1A104K	C CAPACITOR	0.1uF 10V K	1	
	C314	CC73HCH1H151J	C CAPACITOR	150pF 50V J	1	
	C315	CK73HBB1H102K	C CAPACITOR	1000pF 50V K	1	
	C316	CK730BS0J105K	C CAPACITOR	1uF 6.3V K	1	
	C317	CK730BS0J105K	C CAPACITOR	1uF 6.3V K	1	
	C318	CK73HBB1A104K	C CAPACITOR	0.1uF 10V K	1	
	C319	CK73HBB1A104K	C CAPACITOR	0.1uF 10V K	1	
	C320	CK73HBB1A104K	C CAPACITOR	0.1uF 10V K	1	
	C322	CK73HBB1A104K	C CAPACITOR	0.1uF 10V K	1	
	C324	CK73HBB1A104K	C CAPACITOR	0.1uF 10V K	1	
	C325	CK73HBB1A104K	C CAPACITOR	0.1uF 10V K	1	
	C326	CK73HBB1E103K	C CAPACITOR	0.01uF 25V K	1	
	C327	CK73HBB1A104K	C CAPACITOR	0.1uF 10V K	1	
	C329	CK73HBB1A104K	C CAPACITOR	0.1uF 10V K	1	
	C330	CK73HBB1A104K	C CAPACITOR	0.1uF 10V K	1	
	C331	CK73HBB1A104K	C CAPACITOR	0.1uF 10V K	1	
	C332	CK73HBB1A104K	C CAPACITOR	0.1uF 10V K	1	
	C333	CK73HBB1A104K	C CAPACITOR	0.1uF 10V K	1	
	C351	CC73HCH1H120J	C CAPACITOR	12pF 50V J	1	
	C352	CC73HCH1H120J	C CAPACITOR	12pF 50V J	1	
	C382	CK73HBB1A104K	C CAPACITOR	0.1uF 10V K	1	
	C391	CK730AX0J106K	C CAPACITOR	10uF 6.3V K	1	
	C392	CK73HBB1A104K	C CAPACITOR	0.1uF 10V K	1	
	C396	CK73HBB1A104K	C CAPACITOR	0.1uF 10V K	1	
	C398	CK73HBB1A104K	C CAPACITOR	0.1uF 10V K	1	
	C511	CK73HBB1A104K	C CAPACITOR	0.1uF 10V K	1	
	C911	CK730BY0J476M	C CAPACITOR	47uF 6.3V M	1	
	C912	CK73HBB1A104K	C CAPACITOR	0.1uF 10V K	1	
	C913	CK730AX0J106K	C CAPACITOR	10uF 6.3V K	1	
	C921	CK730BS0J105K	C CAPACITOR	1uF 6.3V K	1	
	C923	CK730BS0J105K	C CAPACITOR	1uF 6.3V K	1	
	R12	RK73HB1J822J	MG RESISTOR	8.2kΩ 1/16W J	1	
	R17	RK73HB1J473J	MG RESISTOR	47kΩ 1/16W J	1	
	R19	RK73HB1J221J	MG RESISTOR	220Ω 1/16W J	1	
	R20	RK73HB1J221J	MG RESISTOR	220Ω 1/16W J	1	
	R21	RK73HB1J221J	MG RESISTOR	220Ω 1/16W J	1	
	R22	RK73HB1J221J	MG RESISTOR	220Ω 1/16W J	1	
	R23	RK73HH1J432D	MG RESISTOR	4.3kΩ 1/16W D	1	
	R24	RK73HB1J472J	MG RESISTOR	4.7kΩ 1/16W J	1	
	R26	RK73HB1J103J	MG RESISTOR	10kΩ 1/16W J	1	
	R34	RK73FB2B000J	MG RESISTOR	0Ω 1/8W J	1	
	R35	RK73HB1J222J	MG RESISTOR	2.2kΩ 1/16W J	1	
	R36	RK73FB2B000J	MG RESISTOR	0Ω 1/8W J	1	
	R101	RK73GB2A471J	MG RESISTOR	470Ω 1/10W J	1	
	R102	RK73HB1J471J	MG RESISTOR	470Ω 1/16W J	1	
	R103	RK73GB2A102J	MG RESISTOR	1kΩ 1/10W J	1	
	R104	RK73HB1J2R2J	MG RESISTOR	2.2Ω 1/16W J	1	
	R106	RK73HB1J000J	MG RESISTOR	0Ω 1/16W J	1	
	R107	RK73HB1J000J	MG RESISTOR	0Ω 1/16W J	1	
	R108	RK73GB2A000J	MG RESISTOR	0Ω 1/10W J	1	
	R111	RK73GB2A471J	MG RESISTOR	470Ω 1/10W J	1	
	R112	RK73HB1J471J	MG RESISTOR	470Ω 1/16W J	1	
	R113	RK73GB2A102J	MG RESISTOR	1kΩ 1/10W J	1	
	R114	RK73HB1J2R2J	MG RESISTOR	2.2Ω 1/16W J	1	
	R115	NR20122-180X	MG RESISTOR	18Ω	1	
	R116	RK73HB1J242J	MG RESISTOR	2.4kΩ 1/16W J	1	
	R117	RK73HB1J432J	MG RESISTOR	4.3kΩ 1/16W J	1	
	R122	RK73HB1J000J	MG RESISTOR	0Ω 1/16W J	1	
	R123	RK73HB1J103J	MG RESISTOR	10kΩ 1/16W J	1	
	R124	RK73HB1J103J	MG RESISTOR	10kΩ 1/16W J	1	
	R138	RK73HB1J000J	MG RESISTOR	0Ω 1/16W J	1	
	R151	RK73HB1J472J	MG RESISTOR	4.7kΩ 1/16W J	1	
	R165	RK73HB1J473J	MG RESISTOR	47kΩ 1/16W J	1	
	R170	RK73HH1J332D	MG RESISTOR	3.3kΩ 1/16W D	1	

MODEL	MARK	MODEL	MARK	MODEL	MARK	MODEL	MARK
KW-V120BTK	A	KW-V120MM2	B	KW-V220BTE	C	KW-V220BTK	D
KW-V220BTM	E	KW-V220BTMM2	F	KW-V220BTN	G	KW-V220BTQ	H
KW-V220BTR	I	KW-V220BTX	J				

Safe	Symbol No.	Parts No.	Parts Name	Description	QTY	Local
	R171	RK73HH1J162D	MG RESISTOR	1.6kΩ 1/16W D	1	
	R182	RK73GB2A000J	MG RESISTOR	0Ω 1/10W J	1	
	R212	RK73GB2A223J	MG RESISTOR	22kΩ 1/10W J	1	
	R214	RK73GB2A103J	MG RESISTOR	10kΩ 1/10W J	1	
	R215	RK73GB2A203J	MG RESISTOR	20kΩ 1/10W J	1	
	R216	RK73GB2A104J	MG RESISTOR	100kΩ 1/10W J	1	
	R217	RK73HB1J222J	MG RESISTOR	2.2kΩ 1/16W J	1	
	R218	RK73HB1J752J	MG RESISTOR	7.5kΩ 1/16W J	1	
	R219	RK73HB1J822J	MG RESISTOR	8.2kΩ 1/16W J	1	
	R220	RK73HB1J223J	MG RESISTOR	22kΩ 1/16W J	1	
	R221	RK73HB1J823J	MG RESISTOR	82kΩ 1/16W J	1	
	R230	RK73HB1J102J	MG RESISTOR	1kΩ 1/16W J	1	
	R241	RK73GB2A123J	MG RESISTOR	12kΩ 1/10W J	1	
	R301	RK73HB1J103J	MG RESISTOR	10kΩ 1/16W J	1	
	R302	RK73HB1J101J	MG RESISTOR	100Ω 1/16W J	1	
	R303	RK73HB1J101J	MG RESISTOR	100Ω 1/16W J	1	
	R304	RK73HB1J101J	MG RESISTOR	100Ω 1/16W J	1	
	R308	RK73HB1J331J	MG RESISTOR	330Ω 1/16W J	1	
	R310	RK73HH1J102D	MG RESISTOR	1kΩ 1/16W D	1	
	R311	RK73HB1J223J	MG RESISTOR	22kΩ 1/16W J	1	
	R314	RK73GB2A393J	MG RESISTOR	39kΩ 1/10W J	1	
	R315	RK73GB2A472J	MG RESISTOR	4.7kΩ 1/10W J	1	
	R319	RK73GH2A243D	MG RESISTOR	24kΩ 1/10W D	1	
	R323	RK73HB1J104J	MG RESISTOR	100kΩ 1/16W J	1	
	R327	RK73HB1J270J	MG RESISTOR	27Ω 1/16W J	1	
	R351	RK73HB1J105J	MG RESISTOR	1MΩ 1/16W J	1	
	R352	RK73HB1J102J	MG RESISTOR	1kΩ 1/16W J	1	
	R386	RK73HB1J184J	MG RESISTOR	180kΩ 1/16W J	1	
	R511	RK73HB1J103J	MG RESISTOR	10kΩ 1/16W J	1	
	R512	RK73HB1J103J	MG RESISTOR	10kΩ 1/16W J	1	
	R515	RK73HB1J103J	MG RESISTOR	10kΩ 1/16W J	1	
	R702	RK73HB1J102J	MG RESISTOR	1kΩ 1/16W J	1	
	R911	NRZ0098-R18X	MG RESISTOR	0.18Ω	1	
	L1	LB73H0CT-002	CHIP FERRITE		1	
	L2	LB73H0CT-002	CHIP FERRITE		1	
	L3	LB73H0CT-002	CHIP FERRITE		1	
	L4	LB73H0CT-002	CHIP FERRITE		1	
	L5	LB73H0CT-002	CHIP FERRITE		1	
	L6	LB73H0CT-002	CHIP FERRITE		1	
	L7	LB73H0CT-002	CHIP FERRITE		1	
	CN101	EC720AA-0524A	FFC FPC CONNE		1	
	CN201	EA720AM-1206A	W TO B CONNE		1	
	CN202	EA720AM-1202A	W TO B CONNE		1	
	CN301	EA720AM-1202A	W TO B CONNE		1	
	CN401	QGF0534F7-35X	FFC/FPC CONNE	FFC/FPC (1-35)	1	
	CN501	QGA1501F4-03W	W TO B CONNE	W-B (1-3)	1	
	S1	S6J-0002-00	PUSH SWITCH		1	
	TH491	NAD0055-103X	N THERMISTOR	10kΩ	1	
	X351	NAX1135-001X	CRYSTAL		1	