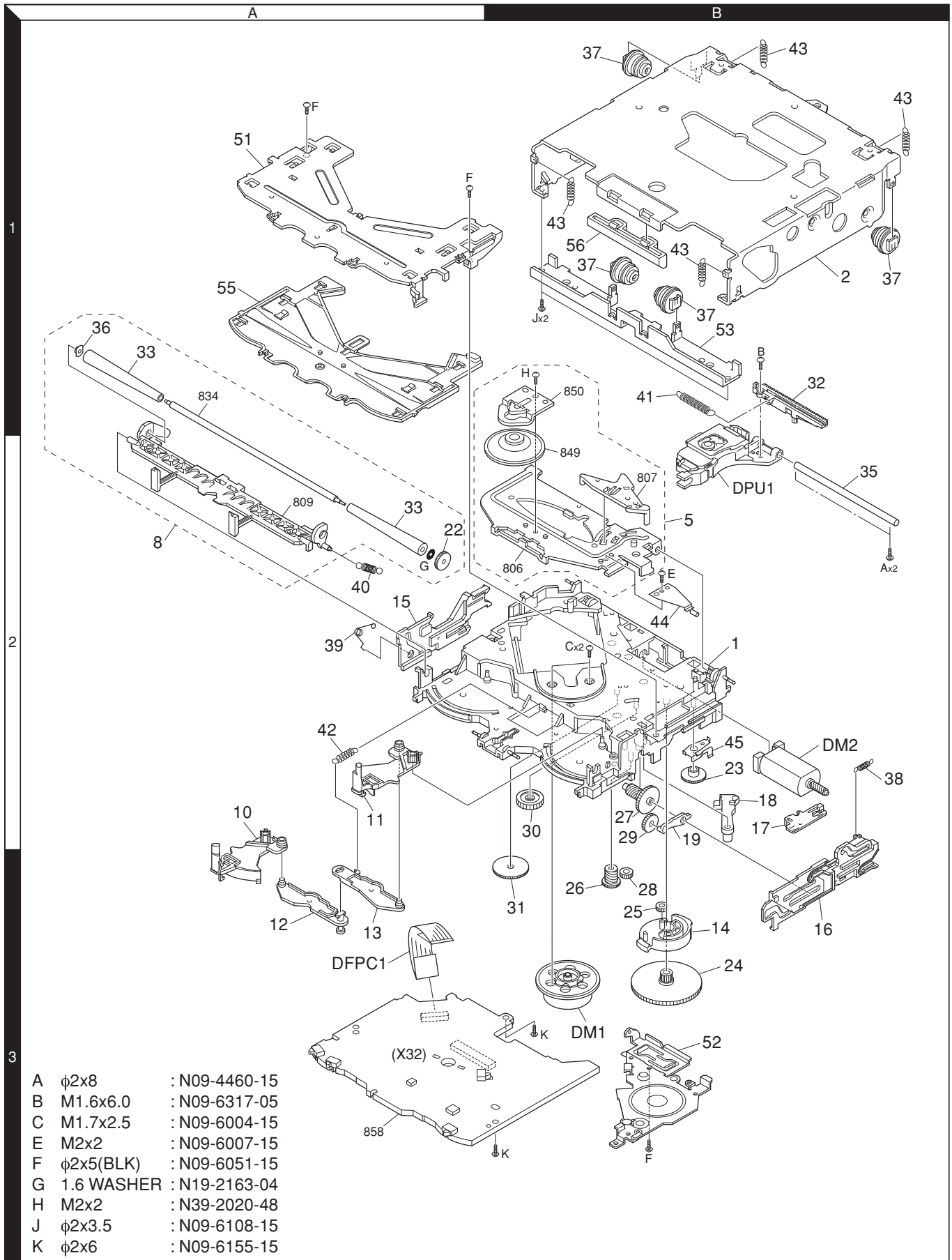
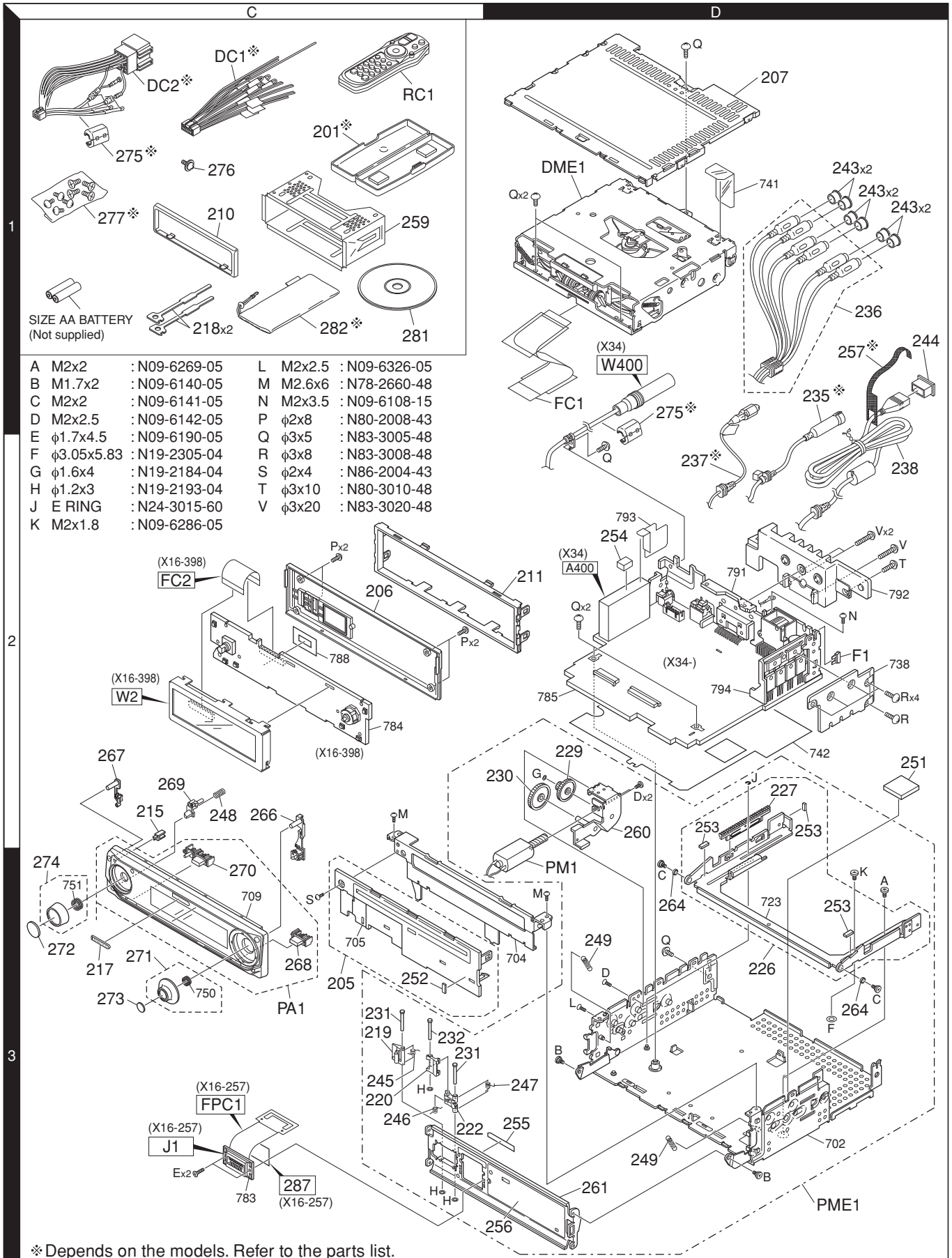


EXPLODED VIEW (CD MECHANISM)



Parts with the exploded numbers larger than 700 are not supplied.

EXPLODED VIEW (UNIT)



* Depends on the models. Refer to the parts list.

Parts with the exploded numbers larger than 700 are not supplied.

PARTS LIST

* New parts

Parts without **Parts No.** are not supplied.

Les articles non mentionnés dans le **Parts No.** ne sont pas fournis.

Teile ohne **Parts No.** werden nicht geliefert.

Ref. No.	A d d	N e w	Parts No.	Description	Desti- nation
KDC-W9537U/W9537UY/X9006U/X991					
201	1C		A02-2732-03	PLASTIC CABINET ASSY	M1
205	3C		A22-3023-22	SUB PANEL ASSY	
206	2C	*	A46-1844-11	REAR COVER	
207	1D		A52-0887-02	TOP PLATE	
PA1	3C	*	A64-4090-02	PANEL ASSY	K1
PA1	3C	*	A64-4091-02	PANEL ASSY	E1E2
PA1	3C	*	A64-4092-02	PANEL ASSY	M1
PME1	3D		A10-5205-32	CHASSIS ASSY	
RC1	1C		A70-2085-05	REMOTE CONTROLLER ASSY (RC-547)	
-			B46-0690-04	ID CARD	K1
-			B46-0691-04	ID CARD	M1E1E2
-		*	B59-1893-00	SUB-INSTRUCTION MANUAL (ENG)	
-		*	B59-1894-00	SUB-INSTRUCTION MANUA (FRE.SPA)	K1E1
-		*	B59-1895-00	SUB-INSTRUCTION M (GER.DUT.ITA)	E1
-		*	B59-1896-00	SUB-INSTRUCTION MANUAL (RUS)	E2
-		*	B59-1897-00	SUB-INSTRUCTION MANUAL (S-CHI)	M1
-		*	B64-3767-00	INSTRUCTION MANUAL (ENG)	K1
-		*	B64-3768-00	INSTRUCTION MANUAL (FRE)	K1
-		*	B64-3769-00	INSTRUCTION MANUAL (SPA)	K1
-		*	B64-3770-00	INSTRUCTION MANUAL (ENG)	M1
-		*	B64-3771-00	INSTRUCTION MANUAL (S-CHI)	M1
-		*	B64-3772-00	INSTRUCTION MANUAL (ARA)	M1
-		*	B64-3773-00	INSTRUCTION MANUAL (ENG)	E1E2
-		*	B64-3774-00	INSTRUCTION MANUAL (FRE)	E1
-		*	B64-3775-00	INSTRUCTION MANUAL (GER)	E1
-		*	B64-3776-00	INSTRUCTION MANUAL (DUT)	E1
-		*	B64-3777-00	INSTRUCTION MANUAL (ITA)	E1
-		*	B64-3778-00	INSTRUCTION MANUAL (SPA)	E1
-		*	B64-3779-00	INSTRUCTION MANUAL (POR)	E1
-		*	B64-3780-00	INSTRUCTION MANUAL (RUS)	E2
210	1C		B07-3125-01	ESCUTCHEON	
211	2D		B07-3095-02	ESCUTCHEON	
215	2C		B19-2410-04	LIGHTING BOARD	
217	3C		B43-1518-04	BADGE	
218	1C		D10-4589-04	LEVER	
219	3C		D10-4805-03	LEVER	
220	3C		D10-4806-03	LEVER	
222	3C		D10-4807-13	LEVER	
226	3D		D10-4875-13	SLIDER ASSY	
227	2D		D13-2318-13	RACK (GEAR)	
229	2D		D13-2320-04	GEAR	
230	2D		D13-2321-04	GEAR	
231	3C		D21-2442-04	SHAFT	
232	3C		D21-2443-04	SHAFT	
235	2D		E30-6640-05	CORD WITH DIN CONNECTOR	E1E2
236	1D		E30-6631-05	CORD WITH PINPLUG	
237	2D		E30-6639-05	CORD WITH CONNECTOR	K1M1
238	2D		E30-6638-15	CORD WITH CONNECTOR	
△ DC1	1C		E30-6408-05	DC CORD	K1M1
△ DC2	1C		E30-6412-05	DC CORD	E1E2
FC1	1D		E39-0736-05	FLAT CABLE	
243	1D		F29-0626-04	INSULATING COVER	

Ref. No.	A d d	N e w	Parts No.	Description	Desti- nation
244	1D		F29-0637-04	INSULATING COVER	
F1	2D		F52-0023-05	FUSE (MINI BLADE TYPE) 10A	
245	3C		G01-3210-04	TORSION COIL SPRING	
246	3C		G01-3211-04	TORSION COIL SPRING	
247	3D		G01-3212-04	TORSION COIL SPRING	
248	2C		G01-3213-04	COMPRESSION SPRING	
249	3D		G01-3215-04	EXTENSION SPRING	
251	2D		G16-1661-04	SHEET	
252	3C		G11-3594-04	CUSHION	
253	2D		G11-3646-04	CUSHION	
254	2D		G11-3656-04	CUSHION	
255	3D		G16-1482-14	SHEET	
256	3D		G16-1483-04	SHEET	
-		*	H54-4078-03	ITEM CARTON CASE	K1
-		*	H54-4079-03	ITEM CARTON CASE	M1
-		*	H54-4080-03	ITEM CARTON CASE	E1
-		*	H54-4081-03	ITEM CARTON CASE	E2
257	1D		H30-0594-04	MAGIC TAPE	K1
259	1C		J21-9716-03	MOUNTING HARDWARE ASSY	
260	2D		J22-0114-13	MOUNTING HARDWARE ASSY	
261	3D		J22-0263-02	MOUNTING HARDWARE	
264	3D		J31-1062-04	COLLAR	
266	2C		K25-1856-03	PUSH KNOB (EJECT)	
267	2C		K24-4643-03	PUSH KNOB (ATT)	
268	3C		K24-4644-03	PUSH KNOB (SRC)	
269	2C		K24-4646-03	PUSH KNOB (RELEASE)	
270	3C		K25-1857-03	PUSH KNOB (FNC)	
271	3C		K28-0181-04	KNOB ASSY (FM/AM)	
272	2C		K28-0188-04	KEY TOP (VOL)	
273	3C		K28-0189-03	KEY TOP (FM/AM)	
274	3C		K28-0263-04	KNOB ASSY (VOL)	
275	1C	*	L92-0638-05	FERRITE CORE	E1E2
276	1C		N09-6280-05	TAPPING SCREW	
277	1C		N99-1758-05	SCREW SET	K1M1
A	3D		N09-6269-05	STEPPED SCREW (M2X2)	
B	3D		N09-6140-05	STEPPED SCREW (M1.7X2)	
C	3D		N09-6141-05	STEPPED SCREW (M2X2)	
D	3D		N09-6142-05	MACHINE SCREW (M2X2.5)	
E	3C		N09-6190-05	TAPPING SCREW (1.7X4.5)	
F	3D		N19-2305-04	FLAT WASHER (3.05X5.83)	
G	2D		N19-2184-04	FLAT WASHER (1.6X4)	
H	3C		N19-2193-04	FLAT WASHER (1.2X3)	
J	2D		N24-3015-60	E TYPE RETAINING RING	
K	3D		N09-6286-05	STEPPED SCREW (M2X1.8)	
L	3D		N09-6326-05	MACHINE SCREW (M2X2.5)	
M	2C		N78-2660-48	PAN HEAD TAPTITE SCREW	
N	2D		N09-6108-15	TAPTITE SCREW (M2X3.5)	
P	2C		N80-2008-43	PAN HEAD TAPTITE SCREW	
Q	1D		N83-3005-48	PAN HEAD TAPTITE SCREW	
R	2D		N83-3008-48	PAN HEAD TAPTITE SCREW	
S	3C		N86-2004-43	BINDING HEAD TAPTITE SCREW	
PM1	3D		T42-1086-14	MOTOR ASSY	

E1 : KDC-W9537U E2 : KDC-W9537UY (Europe)
K1 : KDC-X991 (North America) M1 : KDC-X9006U (Other Areas)

△ Indicates safety critical components.

PARTS LIST

KDC-W9537U/W9537UY/X9006U/X991

Ref. No.	Add	New	Parts No.	Description	Destination
281	1C	*	W01-1704-05	COMPACT DISC	K1 E1E2
282	1C		W01-1664-05	CARRYING CASE	
282	1C	*	W01-1692-05	CARRYING CASE	
DME1	1D		X92-5870-00	CD MECHANISM ASSY (DXM-6C20W)	
SUB-CIRCUIT UNIT (X16-2570-10)					
J1			E58-1038-05	RECTANGULAR RECEPTACLE	
287	3C		F20-2284-14	INSULATING SHEET	
FPC1	3C		J86-0003-15	FPC (LEAD FREE)	
SWITCH UNIT (X16-3980-10)					
D1-3			B30-1766-05	LED	
D4			B30-1566-05	LED (1608,RED)	
D5,6			B30-1766-05	LED	
D8			B30-1766-05	LED	
D10-13			B30-1766-05	LED	
C9,10			CK73FB0J106K	CHIP C 10UF K	
C11,12			CK73GB1H332K	CHIP C 3300PF K	
C13			CK73GB0J475K	CHIP C 4.7UF K	
C14			CK73GB1H103K	CHIP C 0.010UF K	
C15			CK73GB0J225K	CHIP C 2.2UF K	
C16-18			CK73GB1H103K	CHIP C 0.010UF K	
C20-23			CK73GB1H103K	CHIP C 0.010UF K	
C24,25			CK73GB1H473K	CHIP C 0.047UF K	
C26,27			CK73GB1H103K	CHIP C 0.010UF K	
C28,29			CK73GB1A105K	CHIP C 1.0UF K	
C30			CK73GB1H103K	CHIP C 0.010UF K	
C31			CC73GCH1H221J	CHIP C 220PF J	
C32			CK73GB0J225K	CHIP C 2.2UF K	
C33			CK73GB1H103K	CHIP C 0.010UF K	
C35			CK73GB1H103K	CHIP C 0.010UF K	
C36			CK73GB1H104K	CHIP C 0.10UF K	
C37,38			CK73GB1H103K	CHIP C 0.010UF K	
C39			CK73FB0J106K	CHIP C 10UF K	
C41			CK73GB1H104K	CHIP C 0.10UF K	
C42			CK73GB1H473K	CHIP C 0.047UF K	
C43			CC73GCH1H101J	CHIP C 100PF J	
C44			CK73GB1H103K	CHIP C 0.010UF K	
C45			CK73FB0J106K	CHIP C 10UF K	
C46			CK73EB1C106K	CHIP C 10UF K	
C47,48			CK73FB0J106K	CHIP C 10UF K	
C49			CK73GB1A105K	CHIP C 1.0UF K	
C50			CK73GB1H102K	CHIP C 1000PF K	
C51			CK73GB1A474K	CHIP C 0.47UF K	
C67,68			CK73GB1H103K	CHIP C 0.010UF K	
C71			CK73GB1A105K	CHIP C 1.0UF K	
C79			CK73GB1H473K	CHIP C 0.047UF K	
CN1			E41-2624-05	FLAT CABLE CONNECTOR	
FC2	2C	*	E39-0918-05	FLAT CABLE	
J1			E59-0846-05	RECTANGULAR PLUG	
L99		*	L92-0648-05	CHIP FERRITE	
X1			L78-1211-05	RESONATOR (8.000MHZ)	

Ref. No.	Add	New	Parts No.	Description	Destination
CP1,2			RK74HB1J223J	CHIP-COM 22K J 1/16W	
CP4			RK74HB1J472J	CHIP-COM 4.7K J 1/16W	
CP5,6			RK74GA1J332J	CHIP-COM 3.3K J 1/16W	
CP7			RK74HB1J473J	CHIP-COM 47K J 1/16W	
CP10-14			RK74HB1J101J	CHIP-COM 100 J 1/16W	
CP15			RK74GA1J332J	CHIP-COM 3.3K J 1/16W	
CP16			RK74HB1J101J	CHIP-COM 100 J 1/16W	
CP18			RK74HB1J101J	CHIP-COM 100 J 1/16W	
CP20,21			RK74HB1J101J	CHIP-COM 100 J 1/16W	
CP23			RK74HB1J101J	CHIP-COM 100 J 1/16W	
CP24			RK74HB1J102J	CHIP-COM 1.0K J 1/16W	
CP25			RK74GA1J332J	CHIP-COM 3.3K J 1/16W	
CP26			RK74HB1J223J	CHIP-COM 22K J 1/16W	
CP29			RK74HB1J101J	CHIP-COM 100 J 1/16W	
CP30			RK74HB1J102J	CHIP-COM 1.0K J 1/16W	
CP31,32			RK74HB1J223J	CHIP-COM 22K J 1/16W	
CP33			RK74HB1J101J	CHIP-COM 100 J 1/16W	
CP34			RK74HB1J473J	CHIP-COM 47K J 1/16W	
R1,2			RK73FB2B561J	CHIP R 560 J 1/8W	
R3			RK73EB2E821J	CHIP R 820 J 1/4W	
R4,5			RK73FB2B561J	CHIP R 560 J 1/8W	
R6			RK73EB2E821J	CHIP R 820 J 1/4W	
R8			RK73EB2E911J	CHIP R 910 J 1/4W	
R10			RK73GB2A472J	CHIP R 4.7K J 1/10W	
R11,12			RK73GB2A223J	CHIP R 22K J 1/10W	
R13			RK73GB2A222J	CHIP R 2.2K J 1/10W	
R14			RK73GB2A103J	CHIP R 10K J 1/10W	
R15,16			RK73GB2A274J	CHIP R 270K J 1/10W	
R19			RK73GB2A100J	CHIP R 10 J 1/10W	
R23,24			RK73GB2A472J	CHIP R 4.7K J 1/10W	
R25			RK73GB2A102J	CHIP R 1.0K J 1/10W	
R26-28			RK73GB2A103J	CHIP R 10K J 1/10W	
R29			RK73GH2A680D	CHIP R 68 D 1/10W	
R30			RK73GB2A223J	CHIP R 22K J 1/10W	
R33			RK73GB2A102J	CHIP R 1.0K J 1/10W	
R34-36			RK73GB2A101J	CHIP R 100 J 1/10W	
R37			RK73GB2A473J	CHIP R 47K J 1/10W	
R38,39			RK73GB2A102J	CHIP R 1.0K J 1/10W	
R40,41			RK73GB2A223J	CHIP R 22K J 1/10W	
R42			RK73GB2A822J	CHIP R 8.2K J 1/10W	
R43,44			RK73GB2A473J	CHIP R 47K J 1/10W	
R45,46			RK73EB2E102J	CHIP R 1.0K J 1/4W	
R47,48			RK73EB2E101J	CHIP R 100 J 1/4W	
R49,50			RK73EB2E102J	CHIP R 1.0K J 1/4W	
R51-54			RK73GB2A101J	CHIP R 100 J 1/10W	
R55-58			RK73GB2A223J	CHIP R 22K J 1/10W	
R61			RK73GB2A683J	CHIP R 68K J 1/10W	
R62			RK73GB2A563J	CHIP R 56K J 1/10W	
R63			RK73GB2A203J	CHIP R 20K J 1/10W	
R64			RK73GB2A363J	CHIP R 36K J 1/10W	
R66			RK73GB2A243J	CHIP R 24K J 1/10W	
R67			RK73PB2H1R8J	CHIP R 1.8 J 1/2W	
R72-74			RK73GB2A101J	CHIP R 100 J 1/10W	
R77			RK73GB2A473J	CHIP R 47K J 1/10W	
R78			RK73GB2A102J	CHIP R 1.0K J 1/10W	

E1 : KDC-W9537U E2 : KDC-W9537UY (Europe)
K1 : KDC-X991 (North America) M1 : KDC-X9006U (Other Areas)

△ Indicates safety critical components.

PARTS LIST

SWITCH UNIT (X16-3980-10)

Ref. No.	Add	New	Parts No.	Description	Destination
R79			RK73GB2A223J	CHIP R 22K J 1/10W	
R81			RK73GB2A223J	CHIP R 22K J 1/10W	
R82			RK73GB2A101J	CHIP R 100 J 1/10W	
R84			RK73GB2A223J	CHIP R 22K J 1/10W	
R86			RK73PB2H1R8J	CHIP R 1.8 J 1/2W	
R87			RK73GB2A223J	CHIP R 22K J 1/10W	
R88			RK73GB2A122J	CHIP R 1.2K J 1/10W	
R89			RK73GB2A102J	CHIP R 1.0K J 1/10W	
R93,94			RK73GB2A101J	CHIP R 100 J 1/10W	
R95,96			RK73GB2A680J	CHIP R 68 J 1/10W	
R97			RK73GB2A333J	CHIP R 33K J 1/10W	
R100			RK73GB2A223J	CHIP R 22K J 1/10W	
W1,2			R92-2053-05	CHIP R 0 OHM J 1/8W	
S2,3			S70-0901-05	TACT SWITCH	
S16-18			S70-0901-05	TACT SWITCH	
S20			S70-0901-05	TACT SWITCH	
S21			S70-0942-05	TACT SWITCH	
S1			T99-0475-05	ROTARY ENCODER	
D29			1SS400	DIODE	
IC1		*	PL127J60TDI7X9	ROM IC	
IC2			BA3830F	ANALOGUE IC	
IC4		*	703134AGJ017A	MICROCONTROLLER IC	
IC5			BD5237FVE	ANALOGUE IC	
IC6			PNA4S22M02KW	ANALOGUE IC	
IC7			74LV08PW	MOS-IC	
IC8			TC7WT126FU-F	MOS-IC	
IC9			TC7PA04FU-F	MOS-IC	
IC10			SI-3025KMNF	ANALOGUE IC	
IC11			S-1132B33U5T1G	ANALOGUE IC	
IC12			CY7C1021C12ZXI	SRAM IC	
Q3,4			2SD2351(W)	TRANSISTOR	
Q6			RTQ025P02	FET	
Q7			KTA2014EP(Y,GR)	TRANSISTOR	
Q8,9			DTC143ZE	DIGITAL TRANSISTOR	
Q16			DTC143ZE	DIGITAL TRANSISTOR	
Q17			RTQ025P02	FET	
W2	2C		W02-5098-15	ELECTRIC CIRCUIT MODULE	
CD PLAYER UNIT (X32-5980-02)					
C1			CK73GB1A105K	CHIP C 1.0UF K	
C3			CK73GB0J475K	CHIP C 4.7UF K	
C21,22		*	C93-1451-05	CHIP C 0.10UF K	
C24		*	C93-1451-05	CHIP C 0.10UF K	
C26		*	C93-1451-05	CHIP C 0.10UF K	
C31			CK73GB1C224K	CHIP C 0.22UF K	
C33			CK73GB1H472K	CHIP C 4700PF K	
C34			CK73GB1H682K	CHIP C 6800PF K	
C35			CK73GB1H102K	CHIP C 1000PF K	
C36,37			CK73GB1H682K	CHIP C 6800PF K	
C38			CK73GB1H471K	CHIP C 470PF K	
C39			CK73FB1A225K	CHIP C 2.2UF K	
C51			CK73FB0J106K	CHIP C 10UF K	
C52			CK73GB1A105K	CHIP C 1.0UF K	
C53			CK73GB1H223K	CHIP C 0.022UF K	

Ref. No.	Add	New	Parts No.	Description	Destination
C54			CK73GB1H332K	CHIP C 3300PF K	
C55			CK73GB1A334K	CHIP C 0.33UF K	
C56			CK73FB0J475K	CHIP C 4.7UF K	
C57		*	C93-1451-05	CHIP C 0.10UF K	
C58			CC73GCH1H681J	CHIP C 680PF J	
C59		*	C93-1451-05	CHIP C 0.10UF K	
C60			CK73GB1H223K	CHIP C 0.022UF K	
C61			CC73GCH1H102J	CHIP C 1000PF J	
C62			CK73GB1C823K	CHIP C 0.082UF K	
C63			CC73GCH1H102J	CHIP C 1000PF J	
C64			CK73GB1A334K	CHIP C 0.33UF K	
C72		*	C93-1451-05	CHIP C 0.10UF K	
C74,75		*	C93-1451-05	CHIP C 0.10UF K	
C77,78		*	C93-1451-05	CHIP C 0.10UF K	
C81,82			CC73GCH1H150J	CHIP C 15PF J	
C84			CK73GB1A105K	CHIP C 1.0UF K	
C85			CK73GB1H102K	CHIP C 1000PF K	
CN1			E41-2612-05	FLAT CABLE CONNECTOR	
CN2			E41-2083-15	FLAT CABLE CONNECTOR	
X2			L77-2867-05	CRYSTAL RESONATOR (16.9344MHZ)	
CP1			RK74GA1J222J	CHIP-COM 2.2K J 1/16W	
CP2			RK74GA1J103J	CHIP-COM 10K J 1/16W	
CP4			RK74GA1J101J	CHIP-COM 100 J 1/16W	
CP11			RK74GA1J103J	CHIP-COM 10K J 1/16W	
R15			RK73GB2A103J	CHIP R 10K J 1/10W	
R16			RK73GB2A102J	CHIP R 1.0K J 1/10W	
R23			RK73GB2A750J	CHIP R 75 J 1/10W	
R24			RK73GB2A101J	CHIP R 100 J 1/10W	
R27			RK73GB2A101J	CHIP R 100 J 1/10W	
R31			RK73GB2A472J	CHIP R 4.7K J 1/10W	
R32,33			RK73GB2A332J	CHIP R 3.3K J 1/10W	
R34			RK73GB2A562J	CHIP R 5.6K J 1/10W	
R37			RK73GB2A103J	CHIP R 10K J 1/10W	
R39			RK73GB2A103J	CHIP R 10K J 1/10W	
R41			RK73GB2A103J	CHIP R 10K J 1/10W	
R51			RK73GB2A103J	CHIP R 10K J 1/10W	
R52			RK73GB2A562J	CHIP R 5.6K J 1/10W	
R53			RK73GB2A102J	CHIP R 1.0K J 1/10W	
R54,55			RK73GB2A562J	CHIP R 5.6K J 1/10W	
R56			RK73GB2A473J	CHIP R 47K J 1/10W	
R57			RK73GB2A273J	CHIP R 27K J 1/10W	
R58			RK73GB2A222J	CHIP R 2.2K J 1/10W	
R59			RK73GB2A273J	CHIP R 27K J 1/10W	
R60,61			RK73GB2A153J	CHIP R 15K J 1/10W	
R62			RK73GB2A133J	CHIP R 13K J 1/10W	
R63			RK73GB2A183J	CHIP R 18K J 1/10W	
R64			RK73GB2A392J	CHIP R 3.9K J 1/10W	
R65,66			RK73GB2A153J	CHIP R 15K J 1/10W	
R73			RK73GB2A910J	CHIP R 91 J 1/10W	
R74			RK73GB2A472J	CHIP R 4.7K J 1/10W	
R75			RK73FB2B4R7J	CHIP R 4.7 J 1/8W	
R76			RK73GB2A104J	CHIP R 100K J 1/10W	
R77			RK73GB2A823J	CHIP R 82K J 1/10W	

E1 : KDC-W9537U E2 : KDC-W9537UY (Europe)
K1 : KDC-X991 (North America) M1 : KDC-X9006U (Other Areas)

△ Indicates safety critical components.

PARTS LIST

CD PLAYER UNIT (X32-5980-02)

Ref. No.	Add	New	Parts No.	Description	Destination
R78			RK73GB2A821J	CHIP R 820 J 1/10W	
R79			RK73GB2A272J	CHIP R 2.7K J 1/10W	
R82-85			RK73GB2A103J	CHIP R 10K J 1/10W	
R86			RK73GB2A102J	CHIP R 1.0K J 1/10W	
R87			RK73GB2A105J	CHIP R 1.0M J 1/10W	
R88,89			RK73GB2A103J	CHIP R 10K J 1/10W	
R91,92			RK73GB2A103J	CHIP R 10K J 1/10W	
R100			RK73GB2A225J	CHIP R 2.2M J 1/10W	
R102			RK73GB2A000JX	CHIP R 0.0 J 1/10W	
R103			RK73GB2A2R2J	CHIP R 2.2 J 1/10W	
R105			RK73GB2A2R2J	CHIP R 2.2 J 1/10W	
R108			RK73EB2E4R7J	CHIP R 4.7 J 1/4W	
R110-112			RK73GB2A2R2J	CHIP R 2.2 J 1/10W	
R131			RK73GB2A103J	CHIP R 10K J 1/10W	
S1,2			S68-0863-05	PUSH SWITCH	
S3			S68-0862-05	PUSH SWITCH	
D1			DAN202U	DIODE	
D2			MA2S784-F	DIODE	
D3			DAN202U	DIODE	
IC1		*	MN6627781KC	MOS-IC	
IC2			XC6219B332PR	ANALOGUE IC	
IC6			BA5824FP	ANALOGUE IC	
Q3			UM6K1N	DUAL FET	
Q6			2SB1295-E	TRANSISTOR	
Q7			2SB0970	TRANSISTOR	
Q8,9			DTC114YUA	DIGITAL TRANSISTOR	
ELECTRIC UNIT (X34-482x-xx)					
D600			B30-1566-05	LED (1608,RED)	
C1			C90-6784-05	ELECTRO 3900UF 16WV	E1E2
C2-9			CK73GB1H472K	CHIP C 4700PF K	
C10			CE32BE1C221M	CHIP EL 220UF 16WV	
C11			CK73FB1C105K	CHIP C 1.0UF K	
C13,14			CC73GCH1H070D	CHIP C 7.0PF D	
C20			CE32BE1C221M	CHIP EL 220UF 16WV	
C21			CK73GB1H103K	CHIP C 0.010UF K	
C22			CE32BE1C100M	CHIP EL 10UF 16WV	
C23		*	CE32BE0J101M	CHIP EL 100UF 6.3WV	
C30			CK73GB1A474K	CHIP C 0.47UF K	
C31			CE32BE1A101M	CHIP EL 100UF 10WV	
C32			CK73GB1A474K	CHIP C 0.47UF K	
C33			CE32BD1A101M	CHIP EL 100UF 10WV	
C40			CK73FB1C105K	CHIP C 1.0UF K	
C41			CK73GB1H104K	CHIP C 0.10UF K	
C43			CE32BE1C221M	CHIP EL 220UF 16WV	
C50,51			CK73GB1H104K	CHIP C 0.10UF K	
C70			CK73FB1H224K	CHIP C 0.22UF K	
C71			CE32BF1E101M	CHIP EL 100UF 25WV	
C72			CK73EB1E105K	CHIP C 1.0UF K	
C80-82			CK73GB1H104K	CHIP C 0.10UF K	
C83,84			CK73EB1E105K	CHIP C 1.0UF K	
C85			CK73GB1H104K	CHIP C 0.10UF K	
C86,87			CE32AV0J221M	CHIP EL 220UF 6.3WV	
C88		*	CE32BD1C100M	CHIP EL 10UF 16WV	

Ref. No.	Add	New	Parts No.	Description	Destination
C91			CK73GB1H332K	CHIP C 3300PF K	
C92			CK73GB1H682K	CHIP C 6800PF K	
C93			CK73GB1A105K	CHIP C 1.0UF K	
C94			CK73FB0J106K	CHIP C 10UF K	
C95			CK73GB1H104K	CHIP C 0.10UF K	
C96			CE32BF1E101M	CHIP EL 100UF 25WV	
C97-100			CK73GB1H104K	CHIP C 0.10UF K	E1E2
C97,98			CK73GB1H104K	CHIP C 0.10UF K	K1M1
C100			CK73GB1H104K	CHIP C 0.10UF K	K1M1
C101			CK73GB1H103K	CHIP C 0.010UF K	
C103		*	CE32BD1C100M	CHIP EL 10UF 16WV	
C105-108			CK73GB1H102K	CHIP C 1000PF K	
C109			CK73FB0J106K	CHIP C 10UF K	
C110			CK73GB1H104K	CHIP C 0.10UF K	
C111			CK73GB1A105K	CHIP C 1.0UF K	
C122			CK73GB1H103K	CHIP C 0.010UF K	
C140			CK73GB1H103K	CHIP C 0.010UF K	
C170			CK73GB1H103K	CHIP C 0.010UF K	
C180			CK73FB1C105K	CHIP C 1.0UF K	
C181			CK73GB1H223K	CHIP C 0.022UF K	
C200			CE32BF0J221M	CHIP EL 220UF 6.3WV	
C201			CK73GB1A105K	CHIP C 1.0UF K	
C202			CC73GCH1H101J	CHIP C 100PF J	
C300,301			CK73GB1H104K	CHIP C 0.10UF K	
C302			CC73GCH1H101J	CHIP C 100PF J	
C303			CC73GCH1H100D	CHIP C 10PF D	
C310-312			CK73GB1H104K	CHIP C 0.10UF K	K1
C313			CK73GB1A105K	CHIP C 1.0UF K	K1
C320-323			CK73EB1A475K	CHIP C 4.7UF K	
C324			CK73GB1H103K	CHIP C 0.010UF K	
C325		*	CE32BD1C100M	CHIP EL 10UF 16WV	
C326			CK73EB1A475K	CHIP C 4.7UF K	
C340,341			CC73GCH1H270J	CHIP C 27PF J	K1E1E2
C342		*	CE32BD1C100M	CHIP EL 10UF 16WV	K1E1E2
C343			CK73GB1H103K	CHIP C 0.010UF K	K1E1E2
C344			CK73FB1A225K	CHIP C 2.2UF K	K1E1E2
C345			CC73GCH1H331J	CHIP C 330PF J	K1E1E2
C346			CK73GB1H104K	CHIP C 0.10UF K	K1E1E2
C347			CC73GCH1H561J	CHIP C 560PF J	K1E1E2
C350		*	CE32BD1C220M	CHIP EL 22UF 16WV	
C351			CE32BF1C101M	CHIP EL 100UF 16WV	
C352,353			CK73EB1E225K	CHIP C 2.2UF K	
C354		*	CE32BD1C220M	CHIP EL 22UF 16WV	
C355,356			CK73EB1E225K	CHIP C 2.2UF K	
C357			CK73GB1H223K	CHIP C 0.022UF K	
C358			CK73GB1H103K	CHIP C 0.010UF K	
C359,360			CK73EB1E225K	CHIP C 2.2UF K	
C361-378		*	CE32BD1C100M	CHIP EL 10UF 16WV	
C379			CK73GB1H222K	CHIP C 2200PF K	E1E2
C391			CC73GCH1H100D	CHIP C 10PF D	
C392,393			CC73GCH1H050C	CHIP C 5.0PF C	
C400-403			CK73GB1H103K	CHIP C 0.010UF K	
C410,411			CK73FB1E474K	CHIP C 0.47UF K	
C412			CE32BD0J470M	CHIP EL 47UF 6.3WV	
C413			CK73GB1H103K	CHIP C 0.010UF K	

E1 : KDC-W9537U E2 : KDC-W9537UY (Europe)
K1 : KDC-X991 (North America) M1 : KDC-X9006U (Other Areas)

△ Indicates safety critical components.

PARTS LIST

ELECTRIC UNIT (X34-482x-xx)

Ref. No.	Add	New	Parts No.	Description	Destination
C420			CK73FB1E474K	CHIP C 0.47UF K	
C421			CE32BD0J470M	CHIP EL 47UF 6.3WV	
C422			CK73FB1E474K	CHIP C 0.47UF K	
C423			CK73GB1H103K	CHIP C 0.010UF K	
C450,451			CK73FB1C105K	CHIP C 1.0UF K	
C453,454			CC73GCH1H100D	CHIP C 10PF D	E1E2
C455-460			CC73GCH1H221J	CHIP C 220PF J	E1E2
C461-464			C90-6768-05	ELECTRO 0.22UF 16WV	
C465,466			CC73GCH1H221J	CHIP C 220PF J	
C468,469			CK73GB1A474K	CHIP C 0.47UF K	
C470-473			CC73GCH1H101J	CHIP C 100PF J	
C474	*		CE32BD1C100M	CHIP EL 10UF 16WV	
C475			C90-6765-05	ELECTRO 1UF 16WV	
C477,478	*		CE32BD1C100M	CHIP EL 10UF 16WV	
C479			CK73GB1H103K	CHIP C 0.010UF K	
C480,481	*		CE32BD1C100M	CHIP EL 10UF 16WV	
C482,483			CK73FB1E474K	CHIP C 0.47UF K	
C484,485			CC73GCH1H101J	CHIP C 100PF J	
C486-490			CK73FB1C105K	CHIP C 1.0UF K	
C491	*		CE32BD1C100M	CHIP EL 10UF 16WV	
C494,495	*		CE32BD1C100M	CHIP EL 10UF 16WV	
C496			CK73GB1H103K	CHIP C 0.010UF K	
C497	*		CE32BD1C100M	CHIP EL 10UF 16WV	
C498	*		CE32BD1C470M	CHIP EL 47UF 16WV	
C499	*		CE32BD1C100M	CHIP EL 10UF 16WV	
C500,501			CC73GCH1H220J	CHIP C 22PF J	
C502			CK73GB1H104K	CHIP C 0.10UF K	
C503-506			CK73GB1H103K	CHIP C 0.010UF K	
C508,509			CK73GB1H103K	CHIP C 0.010UF K	
C510			CK73GB1H102K	CHIP C 1000PF K	
C511			CK73GB1H103K	CHIP C 0.010UF K	
C512			CE32BD0J470M	CHIP EL 47UF 6.3WV	
C513,514			CK73GB1H103K	CHIP C 0.010UF K	E1E2
C520			CK73GB1H104K	CHIP C 0.10UF K	
C600-602			CK73GB1H104K	CHIP C 0.10UF K	
C650	*		CE32BD1C100M	CHIP EL 10UF 16WV	
C652			CK73GB1H104K	CHIP C 0.10UF K	
C653			CK73GB1H102K	CHIP C 1000PF K	
C656			CK73FB0J106K	CHIP C 10UF K	
C700,701			CK73GB1H103K	CHIP C 0.010UF K	
C702			CK73GB1H104K	CHIP C 0.10UF K	
C703			CC73GCH1H070D	CHIP C 7.0PF D	
C704			CK73FB0J106K	CHIP C 10UF K	
C705			CC73GCH1H070D	CHIP C 7.0PF D	
C706			CK73GB1A105K	CHIP C 1.0UF K	
C707,708			CK73GB1H102K	CHIP C 1000PF K	
C709			CK73FB0J106K	CHIP C 10UF K	
C713			CK73FB0J106K	CHIP C 10UF K	
C719			CK73FB0J106K	CHIP C 10UF K	
C723,724			CK73FB0J106K	CHIP C 10UF K	
C726,727			CK73GB1A105K	CHIP C 1.0UF K	
C732,733			CK73GB1H473K	CHIP C 0.047UF K	
C734,735			CK73GB1H104K	CHIP C 0.10UF K	
C736			CK73GB1A105K	CHIP C 1.0UF K	
C738			CK73GB1A105K	CHIP C 1.0UF K	

Ref. No.	Add	New	Parts No.	Description	Destination
C739,740			CC73GCH1H120J	CHIP C 12PF J	
C741			CK73FB0J106K	CHIP C 10UF K	
C742			CK73GB1H103K	CHIP C 0.010UF K	
C743			CK73GB1H102K	CHIP C 1000PF K	
C744			CK73GB1H103K	CHIP C 0.010UF K	
C745			CC73GCH1H331J	CHIP C 330PF J	
C746,747			CK73GB1H103K	CHIP C 0.010UF K	
C749			CK73FB0J106K	CHIP C 10UF K	
C750-762			CK73GB1H103K	CHIP C 0.010UF K	
C763			CK73GB1H104K	CHIP C 0.10UF K	
C764-768			CK73GB1H103K	CHIP C 0.010UF K	
C769			CK73GB1H102K	CHIP C 1000PF K	
C773			CK73GB1H103K	CHIP C 0.010UF K	
C800-803			CC73GCH1H100D	CHIP C 10PF D	
C830-833			CK73GB1H104K	CHIP C 0.10UF K	
C834,835			CC73GCH1H100D	CHIP C 10PF D	
C836,837			CK73GB1H104K	CHIP C 0.10UF K	
C838,839			CK73FB0J106K	CHIP C 10UF K	
C840			CK73GB1H682K	CHIP C 6800PF K	
C841			CK73GB1E154K	CHIP C 0.15UF K	
C842			CC73GCH1H681J	CHIP C 680PF J	
C843-846			CK73FB0J106K	CHIP C 10UF K	
C847			CK73GB1H103K	CHIP C 0.010UF K	
C848			CK73GB1H104K	CHIP C 0.10UF K	
C849			CK73GB1H102K	CHIP C 1000PF K	
C850			CK73GB1H222K	CHIP C 2200PF K	
C860	*		CE32BD1C100M	CHIP EL 10UF 16WV	
C861			CC73GCH1H271J	CHIP C 270PF J	
C862,863			CC73GCH1H681J	CHIP C 680PF J	
C864	*		CE32BD1C100M	CHIP EL 10UF 16WV	
C865			CC73GCH1H271J	CHIP C 270PF J	
C866			CK73GB1H102K	CHIP C 1000PF K	
C867			CC73GCH1H271J	CHIP C 270PF J	
C868	*		CE32BD1C100M	CHIP EL 10UF 16WV	
C869			CC73GCH1H271J	CHIP C 270PF J	
C870,871			CC73GCH1H681J	CHIP C 680PF J	
C872	*		CE32BD1C100M	CHIP EL 10UF 16WV	
C873			CC73GCH1H151J	CHIP C 150PF J	
C874	*		CE32BD1C100M	CHIP EL 10UF 16WV	
C875			CC73GCH1H681J	CHIP C 680PF J	
C876			CC73GCH1H471J	CHIP C 470PF J	
C877			CK73GB1H102K	CHIP C 1000PF K	
C878			CC73GCH1H681J	CHIP C 680PF J	
C879			CC73GCH1H471J	CHIP C 470PF J	
C880	*		CE32BD1C100M	CHIP EL 10UF 16WV	
C881,882			CC73GCH1H151J	CHIP C 150PF J	
C883	*		CE32BD1C100M	CHIP EL 10UF 16WV	
C884			CC73GCH1H681J	CHIP C 680PF J	
C885			CC73GCH1H471J	CHIP C 470PF J	
C886			CK73GB1H102K	CHIP C 1000PF K	
C887			CC73GCH1H681J	CHIP C 680PF J	
C888			CC73GCH1H471J	CHIP C 470PF J	
C889	*		CE32BD1C100M	CHIP EL 10UF 16WV	
C890			CC73GCH1H151J	CHIP C 150PF J	
C893			CK73FB1A225K	CHIP C 2.2UF K	

E1 : KDC-W9537U E2 : KDC-W9537UY (Europe)
K1 : KDC-X991 (North America) M1 : KDC-X9006U (Other Areas)

△ Indicates safety critical components.

PARTS LIST

ELECTRIC UNIT (X34-482x-xx)

Ref. No.	Add	New	Parts No.	Description	Destination	Ref. No.	Add	New	Parts No.	Description	Destination
C895			CK73FB1A225K	CHIP C 2.2UF K		R12			RK73FB2B221J	CHIP R 220 J 1/8W	
C900,901			CK73GB1H103K	CHIP C 0.010UF K	E1E2	R13,14			RK73GB2A101J	CHIP R 100 J 1/10W	
C904			CK73GB1H103K	CHIP C 0.010UF K	E1E2	R20			RK73FB2B203J	CHIP R 20K J 1/8W	
C912			CK73GB1H102K	CHIP C 1000PF K		R21			RK73GB2A223J	CHIP R 22K J 1/10W	
C914,915			CC73GCH1H050C	CHIP C 5.0PF C		R22			RK73FB2B272J	CHIP R 2.7K J 1/8W	
CN190			E41-2777-05	PIN ASSY		R30			RK73FB2B102J	CHIP R 1.0K J 1/8W	
CN200			E41-2777-05	PIN ASSY		R32			RK73FB2B152J	CHIP R 1.5K J 1/8W	
CN300			E41-2352-05	FLAT CABLE CONNECTOR		R41			RK73PB2H1R0J	CHIP R 1.0 J 1/2W	
CN361			E41-2555-05	PIN ASSY		R42			RK73FB2B102J	CHIP R 1.0K J 1/8W	
CN600			E41-2344-05	FLAT CABLE CONNECTOR		R43-45			RK73GB2A104J	CHIP R 100K J 1/10W	
CN601			E41-2735-05	PIN ASSY		R46			RK73FB2B431J	CHIP R 430 J 1/8W	
△ J1			E58-0991-05	RECTANGULAR RECEPTACLE		R47			RK73GB2A472J	CHIP R 4.7K J 1/10W	
J410			E11-0625-05	PHONE JACK (LGY6502-0900)		R50			RK73FB2B182J	CHIP R 1.8K J 1/8W	
J420			E56-0855-05	CYLINDRICAL RECEPTACLE		R51			RK73GB2A472J	CHIP R 4.7K J 1/10W	
W400	2D		E30-6637-05	CORD WITH PLUG		R52			RK73GB2A473J	CHIP R 47K J 1/10W	
△ L1			L33-2365-05	CHOKE COIL ASSY		R73			RK73FB2B222J	CHIP R 2.2K J 1/8W	
L80			L33-2284-05	SMALL FIXED INDUCTOR		R74			RK73GB2A473J	CHIP R 47K J 1/10W	
L81			L33-2297-05	SMALL FIXED INDUCTOR		R75			RK73GB2A104J	CHIP R 100K J 1/10W	
L82		*	L33-2376-05	SMALL FIXED INDUCTOR		R76			RK73GB2A302J	CHIP R 3.0K J 1/10W	
L200			L92-0616-05	CHIP FERRITE		R77			RK73GB2A473J	CHIP R 47K J 1/10W	
L300			L92-0365-05	CHIP FERRITE		R78			RK73GB2A471J	CHIP R 470 J 1/10W	
L340			L41-4795-33	SMALL FIXED INDUCTOR (4.7U)	K1E1E2	R79			RK73GB2A222J	CHIP R 2.2K J 1/10W	
L350			L41-2205-33	SMALL FIXED INDUCTOR (22U)		R80,81			RK73GB2A154J	CHIP R 150K J 1/10W	
L505			L41-4795-33	SMALL FIXED INDUCTOR (4.7U)		R82			RK73GH2A753D	CHIP R 75K D 1/10W	
X340			L77-2002-05	CRYSTAL RESONATOR	K1E1E2	R83,84			RK73GH2A103D	CHIP R 10K D 1/10W	
X501			L78-0872-05	RESONATOR (12MHZ)		R85			RK73GH2A753D	CHIP R 75K D 1/10W	
X502			L77-2917-15	CRYSTAL RESONATOR (32.768KHZ)		R86			RK73GH2A823D	CHIP R 82K D 1/10W	
X700			L77-2917-15	CRYSTAL RESONATOR (32.768KHZ)		R87			RK73GH2A114D	CHIP R 110K D 1/10W	
X701			L77-2908-05	CRYSTAL RESONATOR (12.000MHZ)		R88			RK73GH2A683D	CHIP R 68K D 1/10W	
X830			L77-2857-05	CRYSTAL RESONATOR (11.2896MHZ)		R91			RK73GB2A473J	CHIP R 47K J 1/10W	
Q	2D		N83-3005-48	PAN HEAD TAPTITE SCREW		R92,93			RK73GB2A472J	CHIP R 4.7K J 1/10W	
T	2D		N80-3010-48	PAN HEAD TAPTITE SCREW		R97			RK73GB2A473J	CHIP R 47K J 1/10W	
V	2D		N83-3020-48	PAN HEAD TAPTITE SCREW		R98,99			RK73EB2E181J	CHIP R 180 J 1/4W	
CP190			RK74HB1J101J	CHIP-COM 100 J 1/16W	K1E1E2	R100			RK73FB2B1R0J	CHIP R 1.0 J 1/8W	
CP210,211			RK74GA1J101J	CHIP-COM 100 J 1/16W		R101			RK73GB2A473J	CHIP R 47K J 1/10W	
CP310			RK74GA1J101J	CHIP-COM 100 J 1/16W	K1	R102			RK73FB2B183J	CHIP R 18K J 1/8W	
CP420			RK74GA1J101J	CHIP-COM 100 J 1/16W		R103			RK73GB2A103J	CHIP R 10K J 1/10W	
CP421			RK74HB1J101J	CHIP-COM 100 J 1/16W		R104			RK73FB2B1R0J	CHIP R 1.0 J 1/8W	
CP501			RK74GA1J101J	CHIP-COM 100 J 1/16W		R105			RK73GB2A102J	CHIP R 1.0K J 1/10W	
CP502			RK74HB1J102J	CHIP-COM 1.0K J 1/16W		R106,107			RK73GB2A103J	CHIP R 10K J 1/10W	
CP503			RK74GA1J101J	CHIP-COM 100 J 1/16W		R110			RK73GB2A472J	CHIP R 4.7K J 1/10W	
CP504			RK74GA1J472J	CHIP-COM 4.7K J 1/16W		R111			RK73GB2A102J	CHIP R 1.0K J 1/10W	
CP505-507			RK74GA1J101J	CHIP-COM 100 J 1/16W		R114,115			RK73GB2A473J	CHIP R 47K J 1/10W	
CP600			RK74GA1J102J	CHIP-COM 1.0K J 1/16W		R116			RK73GB2A101J	CHIP R 100 J 1/10W	
CP700			RK74HB1J100J	CHIP-COM 10 J 1/16W		R117			RK73GH2A472D	CHIP R 4.7K D 1/10W	
CP701			RK74HB1J101J	CHIP-COM 100 J 1/16W		R119			RK73GH2A223D	CHIP R 22K D 1/10W	
CP703-711			RK74HB1J100J	CHIP-COM 10 J 1/16W		R120,121			RK73GB2A103J	CHIP R 10K J 1/10W	
CP712,713			RK74HB1J470J	CHIP-COM 47 J 1/16W		R126			RK73GB2A183J	CHIP R 18K J 1/10W	
CP718,719			RK74HB1J330J	CHIP-COM 33 J 1/16W		R127			RK73FB2B203J	CHIP R 20K J 1/8W	
CP720			RK74HB1J223J	CHIP-COM 22K J 1/16W		R128			RK73GB2A104J	CHIP R 100K J 1/10W	
CP721,722			RK74HB1J100J	CHIP-COM 10 J 1/16W		R129			RK73EB2E473J	CHIP R 47K J 1/4W	
CP831			RK74HB1J473J	CHIP-COM 47K J 1/16W		R130			R92-5088-05	CHIP R 3.3K J 3/4W	
R10			RK73GH2A432D	CHIP R 4.3K D 1/10W		R131			RK73GB2A393J	CHIP R 39K J 1/10W	
R11			RK73GH2A243D	CHIP R 24K D 1/10W		R132			RK73FB2B683J	CHIP R 68K J 1/8W	
						R133			RK73GH2A222D	CHIP R 2.2K D 1/10W	

E1 : KDC-W9537U E2 : KDC-W9537UY (Europe)
K1 : KDC-X991 (North America) M1 : KDC-X9006U (Other Areas)

△ Indicates safety critical components.

PARTS LIST

ELECTRIC UNIT (X34-482x-xx)

Ref. No.	Ad	New	Parts No.	Description	Destination	Ref. No.	Ad	New	Parts No.	Description	Destination
R134			RK73GB2A101J	CHIP R 100 J 1/10W		R355			RK73GB2A563J	CHIP R 56K J 1/10W	
R135			RK73EB2E182J	CHIP R 1.8K J 1/4W		R356			RK73GB2A274J	CHIP R 270K J 1/10W	
R136			RK73GB2A123J	CHIP R 12K J 1/10W		R357			RK73GB2A470J	CHIP R 47 J 1/10W	
R137			RK73GH2A222D	CHIP R 2.2K D 1/10W		R358			RK73GB2A103J	CHIP R 10K J 1/10W	
R138			RK73GB2A103J	CHIP R 10K J 1/10W		R359,360			RK73GB2A913J	CHIP R 91K J 1/10W	
R139			RK73GB2A243J	CHIP R 24K J 1/10W		R361-366			RK73GB2A361J	CHIP R 360 J 1/10W	
R140			RK73FB2B472J	CHIP R 4.7K J 1/8W		R367-372			RK73GB2A223J	CHIP R 22K J 1/10W	
R141,142			RK73GB2A222J	CHIP R 2.2K J 1/10W		R373-378			RK73GB2A103J	CHIP R 10K J 1/10W	
R150			RK73GB2A223J	CHIP R 22K J 1/10W	K1M1	R379-384			RK73GB2A104J	CHIP R 100K J 1/10W	
R151,152			RK73EB2E111J	CHIP R 110 J 1/4W	K1M1	R385-390			RK73GB2A123J	CHIP R 12K J 1/10W	
R153			RK73FB2B472J	CHIP R 4.7K J 1/8W		R391-396			RK73GB2A820J	CHIP R 82 J 1/10W	
R154,155			RK73EB2E111J	CHIP R 110 J 1/4W	K1M1	R397			RK73GB2A150J	CHIP R 15 J 1/10W	
R160			RK73FB2B561J	CHIP R 560 J 1/8W		R398,399			RK73GB2A331J	CHIP R 330 J 1/10W	
R161			RK73EB2E102J	CHIP R 1.0K J 1/4W		R401			RK73GB2A223J	CHIP R 22K J 1/10W	
R170			RK73GB2A223J	CHIP R 22K J 1/10W		R402			RK73FB2B821J	CHIP R 820 J 1/8W	
R171			RK73GB2A473J	CHIP R 47K J 1/10W		R403,404			RK73GB2A471J	CHIP R 470 J 1/10W	
R172			RK73EB2E103J	CHIP R 10K J 1/4W		R410,411			RK73GB2A123J	CHIP R 12K J 1/10W	
R180			RK73GB2A104J	CHIP R 100K J 1/10W		R412,413			RK73EB2E100J	CHIP R 10 J 1/4W	
R181			RK73EB2E103J	CHIP R 10K J 1/4W		R414			RK73EB2E4R7J	CHIP R 4.7 J 1/4W	
R182			RK73GB2A222J	CHIP R 2.2K J 1/10W		R415			RK73GB2A102J	CHIP R 1.0K J 1/10W	
R190			RK73EB2E102J	CHIP R 1.0K J 1/4W		R420			RK73EB2E432J	CHIP R 4.3K J 1/4W	
R191-193			RK73EB2E471J	CHIP R 470 J 1/4W	K1E1E2	R421,422			RK73EB2E101J	CHIP R 100 J 1/4W	
R194			RK73GB2A222J	CHIP R 2.2K J 1/10W		R423			RK73EB2E432J	CHIP R 4.3K J 1/4W	
R195			RK73GB2A104J	CHIP R 100K J 1/10W		R424,425			RK73EB2E101J	CHIP R 100 J 1/4W	
R200			RK73GB2A101J	CHIP R 100 J 1/10W		R426			RK73EB2E100J	CHIP R 10 J 1/4W	
R210,211			RK73GB2A104J	CHIP R 100K J 1/10W		R427			RK73EB2E4R7J	CHIP R 4.7 J 1/4W	
R214			RK73GB2A101J	CHIP R 100 J 1/10W		R428			RK73EB2E100J	CHIP R 10 J 1/4W	
R215			RK73GB2A104J	CHIP R 100K J 1/10W		R429,430			RK73EB2E101J	CHIP R 100 J 1/4W	
R300			RK73GB2A153J	CHIP R 15K J 1/10W		R431			RK73GB2A102J	CHIP R 1.0K J 1/10W	
R301,302			RK73GB2A220J	CHIP R 22 J 1/10W		R432-434			RK73GB2A104J	CHIP R 100K J 1/10W	
R303			RK73GB2A221J	CHIP R 220 J 1/10W		R435			RK73GB2A101J	CHIP R 100 J 1/10W	
R310,311			RK73GB2A102J	CHIP R 1.0K J 1/10W	K1	R440			RK73GB2A104J	CHIP R 100K J 1/10W	
R312			RK73GH2A111D	CHIP R 110 D 1/10W	K1	R441			RK73GB2A101J	CHIP R 100 J 1/10W	
R313			RK73GH2A241D	CHIP R 240 D 1/10W	K1	R442			RK73GB2A104J	CHIP R 100K J 1/10W	
R320,321			RK73GB2A334J	CHIP R 330K J 1/10W		R450			RK73GB2A752J	CHIP R 7.5K J 1/10W	
R322			RK73GB2A473J	CHIP R 47K J 1/10W		R452			RK73GB2A331J	CHIP R 330 J 1/10W	
R323			RK73GB2A333J	CHIP R 33K J 1/10W		R453			RK73GB2A273J	CHIP R 27K J 1/10W	
R324			RK73GB2A473J	CHIP R 47K J 1/10W		R454			RK73GB2A510J	CHIP R 51 J 1/10W	
R325			RK73GB2A821J	CHIP R 820 J 1/10W		R455,456			RK73GB2A820J	CHIP R 82 J 1/10W	
R326			RK73GB2A104J	CHIP R 100K J 1/10W		R457			RK73GB2A151J	CHIP R 150 J 1/10W	
R327			RK73GB2A102J	CHIP R 1.0K J 1/10W		R458,459			RK73GB2A820J	CHIP R 82 J 1/10W	
R328			RK73GB2A473J	CHIP R 47K J 1/10W		R460-463			RK73GB2A101J	CHIP R 100 J 1/10W	
R329			RK73GB2A103J	CHIP R 10K J 1/10W		R464,465			RK73GB2A151J	CHIP R 150 J 1/10W	
R331			RK73GB2A103J	CHIP R 10K J 1/10W		R466			RK73GB2A473J	CHIP R 47K J 1/10W	
R333			RK73EB2E103J	CHIP R 10K J 1/4W		R467			RK73GB2A102J	CHIP R 1.0K J 1/10W	
R340-342			RK73GB2A222J	CHIP R 2.2K J 1/10W	K1E1E2	R468			RK73GB2A104J	CHIP R 100K J 1/10W	
R343			RK73GB2A102J	CHIP R 1.0K J 1/10W	K1E1E2	R469			RK73GB2A333J	CHIP R 33K J 1/10W	
R344			RK73GB2A223J	CHIP R 22K J 1/10W	K1E1E2	R470			RK73GB2A102J	CHIP R 1.0K J 1/10W	
R345			RK73GB2A222J	CHIP R 2.2K J 1/10W	K1E1E2	R471			RK73GB2A473J	CHIP R 47K J 1/10W	
R346			RK73GB2A512J	CHIP R 5.1K J 1/10W	K1E1E2	R480,481			RK73GB2A101J	CHIP R 100 J 1/10W	
R350			RK73GB2A182J	CHIP R 1.8K J 1/10W		R482,483			RK73GB2A103J	CHIP R 10K J 1/10W	
R351			RK73GB2A750J	CHIP R 75 J 1/10W		R484,485			RK73GB2A101J	CHIP R 100 J 1/10W	
R352			RK73GB2A272J	CHIP R 2.7K J 1/10W		R486,487			RK73GB2A100J	CHIP R 10 J 1/10W	
R353			RK73GB2A470J	CHIP R 47 J 1/10W		R490			RK73EB2E2R2J	CHIP R 2.2 J 1/4W	
R354			RK73GB2A752J	CHIP R 7.5K J 1/10W		R491,492			RK73GB2A101J	CHIP R 100 J 1/10W	

E1 : KDC-W9537U E2 : KDC-W9537UY (Europe)
K1 : KDC-X991 (North America) M1 : KDC-X9006U (Other Areas)

△ Indicates safety critical components.

PARTS LIST

ELECTRIC UNIT (X34-482x-xx)

Ref. No.	Add	New	Parts No.	Description	Destination	Ref. No.	Add	New	Parts No.	Description	Destination
R500,501			RK73GB2A103J	CHIP R 10K J 1/10W		R722			RK73GB2A101J	CHIP R 100 J 1/10W	
R502			RK73GB2A104J	CHIP R 100K J 1/10W		R723,724			RK73GB2A473J	CHIP R 47K J 1/10W	
R503			RK73GB2A102J	CHIP R 1.0K J 1/10W		R725			RK73GB2A102J	CHIP R 1.0K J 1/10W	
R505,506			RK73GB2A104J	CHIP R 100K J 1/10W		R729			RK73GB2A103J	CHIP R 10K J 1/10W	
R507			RK73GB2A102J	CHIP R 1.0K J 1/10W		R731			RK73GB2A101J	CHIP R 100 J 1/10W	
R508,509			RK73GB2A472J	CHIP R 4.7K J 1/10W		R733			RK73GB2A100J	CHIP R 10 J 1/10W	
R510			RK73GB2A104J	CHIP R 100K J 1/10W	K1E1E2	R734			RK73GB2A101J	CHIP R 100 J 1/10W	
R512-514			RK73GB2A104J	CHIP R 100K J 1/10W		R735,736			RK73GB2A223J	CHIP R 22K J 1/10W	
R515,516			RK73GB2A471J	CHIP R 470 J 1/10W		R738,739			RK73GB2A222J	CHIP R 2.2K J 1/10W	
R517-519			RK73GB2A104J	CHIP R 100K J 1/10W		R740			RK73GB2A101J	CHIP R 100 J 1/10W	
R520			RK73GB2A101J	CHIP R 100 J 1/10W		R741,742			RK73GB2A222J	CHIP R 2.2K J 1/10W	
R522			RK73GB2A222J	CHIP R 2.2K J 1/10W		R743			RK73GB2A223J	CHIP R 22K J 1/10W	
R525			RK73GB2A472J	CHIP R 4.7K J 1/10W		R744			RK73GB2A2R2J	CHIP R 2.2 J 1/10W	
R526			RK73GB2A104J	CHIP R 100K J 1/10W		R745			RK73GB2A221J	CHIP R 220 J 1/10W	
R527			RK73GB2A102J	CHIP R 1.0K J 1/10W		R746			RK73GB2A153J	CHIP R 15K J 1/10W	
R528			RK73GB2A104J	CHIP R 100K J 1/10W		R747			RK73GB2A223J	CHIP R 22K J 1/10W	
R530			RK73GB2A223J	CHIP R 22K J 1/10W	K1M1E1	R748			RK73GB2A101J	CHIP R 100 J 1/10W	
R530			RK73GB2A473J	CHIP R 47K J 1/10W	E2	R749			RK73GB2A515J	CHIP R 5.1M J 1/10W	
R531			RK73GB2A104J	CHIP R 100K J 1/10W	K1E1E2	R750			RK73GB2A100J	CHIP R 10 J 1/10W	
R540			RK73GB2A223J	CHIP R 22K J 1/10W	E1E2	R751,752			RK73GB2A470J	CHIP R 47 J 1/10W	
R540			RK73GB2A473J	CHIP R 47K J 1/10W	M1	R753			RK73GB2A153J	CHIP R 15K J 1/10W	
R541,542			RK73GB2A104J	CHIP R 100K J 1/10W		R754-756			RK73GB2A101J	CHIP R 100 J 1/10W	
R543			RK73GB2A223J	CHIP R 22K J 1/10W		R757			RK73GB2A100J	CHIP R 10 J 1/10W	
R544			RK73GB2A222J	CHIP R 2.2K J 1/10W		R758			RK73GB2A332J	CHIP R 3.3K J 1/10W	
R545-548			RK73EB2E101J	CHIP R 100 J 1/4W		R759-762			RK73GB2A223J	CHIP R 22K J 1/10W	
R549			RK73EB2E102J	CHIP R 1.0K J 1/4W		R764,765			RK73GB2A223J	CHIP R 22K J 1/10W	
R550			RK73EB2E472J	CHIP R 4.7K J 1/4W		R766			RK73GB2A221J	CHIP R 220 J 1/10W	
R551			RK73EB2E102J	CHIP R 1.0K J 1/4W		R767			RK73GB2A223J	CHIP R 22K J 1/10W	
R552			RK73GB2A473J	CHIP R 47K J 1/10W		R768			RK73GB2A221J	CHIP R 220 J 1/10W	
R553			RK73GB2A223J	CHIP R 22K J 1/10W		R769			RK73GB2A104J	CHIP R 100K J 1/10W	
R600,601			RK73GB2A103J	CHIP R 10K J 1/10W		R770			RK73GB2A100J	CHIP R 10 J 1/10W	
R602			RK73GB2A104J	CHIP R 100K J 1/10W		R771,772			RK73GB2A390J	CHIP R 39 J 1/10W	
R603,604			RK73GB2A102J	CHIP R 1.0K J 1/10W		R773			RK73GB2A102J	CHIP R 1.0K J 1/10W	
R605			RK73GB2A241J	CHIP R 240 J 1/10W		R774			RK73GB2A101J	CHIP R 100 J 1/10W	
R650			RK73GH2A332D	CHIP R 3.3K D 1/10W		R775			RK73GB2A153J	CHIP R 15K J 1/10W	
R651			RK73GH2A222D	CHIP R 2.2K D 1/10W		R776			RK73GB2A330J	CHIP R 33 J 1/10W	
R658			RK73GB2A102J	CHIP R 1.0K J 1/10W		R777			RK73GB2A153J	CHIP R 15K J 1/10W	
R701			RK73GB2A223J	CHIP R 22K J 1/10W		R778			RK73GB2A330J	CHIP R 33 J 1/10W	
R702			RK73GB2A473J	CHIP R 47K J 1/10W		R779,780			RK73GB2A101J	CHIP R 100 J 1/10W	
R703			RK73GB2A515J	CHIP R 5.1M J 1/10W		R781			RK73GB2A104J	CHIP R 100K J 1/10W	
R704			RK73GB2A101J	CHIP R 100 J 1/10W		R782-786			RK73GB2A101J	CHIP R 100 J 1/10W	
R705			RK73GB2A473J	CHIP R 47K J 1/10W		R787			RK73GB2A104J	CHIP R 100K J 1/10W	
R706			RK73GB2A123J	CHIP R 12K J 1/10W		R788			RK73GB2A102J	CHIP R 1.0K J 1/10W	
R707			RK73GB2A473J	CHIP R 47K J 1/10W		R789			RK73GB2A104J	CHIP R 100K J 1/10W	
R708			RK73GB2A102J	CHIP R 1.0K J 1/10W		R790			RK73GB2A101J	CHIP R 100 J 1/10W	
R709,710			RK73GB2A473J	CHIP R 47K J 1/10W		R791,792			RK73GB2A104J	CHIP R 100K J 1/10W	
R711			RK73FB2B100J	CHIP R 10 J 1/8W		R793			RK73GB2A820J	CHIP R 82 J 1/10W	
R712			RK73GB2A103J	CHIP R 10K J 1/10W		R794-796			RK73GB2A101J	CHIP R 100 J 1/10W	
R713			RK73FB2B100J	CHIP R 10 J 1/8W		R797			RK73GB2A103J	CHIP R 10K J 1/10W	
R714,715			RK73GB2A100J	CHIP R 10 J 1/10W		R799			RK73GB2A101J	CHIP R 100 J 1/10W	
R717			RK73GB2A221J	CHIP R 220 J 1/10W	M1E1E2	R801-804			RK73GB2A101J	CHIP R 100 J 1/10W	
R717			RK73GB2A560J	CHIP R 56 J 1/10W	K1	R805,806			RK73GB2A151J	CHIP R 150 J 1/10W	
R718,719			RK73GB2A473J	CHIP R 47K J 1/10W		R807-815			RK73GB2A223J	CHIP R 22K J 1/10W	
R720			RK73GH2A104D	CHIP R 100K D 1/10W		R816,817			RK73GB2A473J	CHIP R 47K J 1/10W	
R721			RK73GB2A473J	CHIP R 47K J 1/10W		R820,821			RK73GB2A473J	CHIP R 47K J 1/10W	

E1 : KDC-W9537U E2 : KDC-W9537UY (Europe)
K1 : KDC-X991 (North America) M1 : KDC-X9006U (Other Areas)

△ Indicates safety critical components.

PARTS LIST

ELECTRIC UNIT (X34-482x-xx)

Ref. No.	Ad	New	Parts No.	Description	Desti- nation
R822,823			RK73GB2A151J	CHIP R 150 J 1/10W	
R824			RK73GB2A332J	CHIP R 3.3K J 1/10W	
R825,826			RK73GB2A151J	CHIP R 150 J 1/10W	
R827			RK73GB2A221J	CHIP R 220 J 1/10W	M1E1E2
R827			RK73GB2A910J	CHIP R 91 J 1/10W	K1
R831,832			RK73GB2A221J	CHIP R 220 J 1/10W	M1E1E2
R831,832			RK73GB2A820J	CHIP R 82 J 1/10W	K1
R834			RK73GB2A101J	CHIP R 100 J 1/10W	
R835-837			RK73GB2A473J	CHIP R 47K J 1/10W	
R840			RK73GB2A820J	CHIP R 82 J 1/10W	K1
R840-843			RK73GB2A221J	CHIP R 220 J 1/10W	M1E1E2
R841			RK73GB2A680J	CHIP R 68 J 1/10W	K1
R842,843			RK73GB2A910J	CHIP R 91 J 1/10W	K1
R844,845			RK73GB2A473J	CHIP R 47K J 1/10W	
R846			RK73GB2A221J	CHIP R 220 J 1/10W	
R849			RK73GB2A102J	CHIP R 1.0K J 1/10W	
R851-853			RK73GB2A473J	CHIP R 47K J 1/10W	
R854			RK73GB2A153J	CHIP R 15K J 1/10W	
R855			RK73GB2A102J	CHIP R 1.0K J 1/10W	
R856			RK73GB2A473J	CHIP R 47K J 1/10W	
R857			RK73GB2A102J	CHIP R 1.0K J 1/10W	
R858			RK73GB2A101J	CHIP R 100 J 1/10W	
R860,861			RK73GB2A472J	CHIP R 4.7K J 1/10W	
R862			RK73GB2A392J	CHIP R 3.9K J 1/10W	
R863,864			RK73GB2A682J	CHIP R 6.8K J 1/10W	
R865			RK73GB2A472J	CHIP R 4.7K J 1/10W	
R866			RK73GB2A392J	CHIP R 3.9K J 1/10W	
R867,868			RK73GB2A472J	CHIP R 4.7K J 1/10W	
R869			RK73GB2A682J	CHIP R 6.8K J 1/10W	
R870			RK73GB2A472J	CHIP R 4.7K J 1/10W	
R871			RK73GB2A392J	CHIP R 3.9K J 1/10W	
R872			RK73GB2A682J	CHIP R 6.8K J 1/10W	
R873,874			RK73GB2A472J	CHIP R 4.7K J 1/10W	
R875			RK73GB2A392J	CHIP R 3.9K J 1/10W	
R876			RK73GB2A912J	CHIP R 9.1K J 1/10W	
R877			RK73GB2A682J	CHIP R 6.8K J 1/10W	
R878			RK73GB2A472J	CHIP R 4.7K J 1/10W	
R879			RK73GB2A362J	CHIP R 3.6K J 1/10W	
R880			RK73GB2A682J	CHIP R 6.8K J 1/10W	
R881			RK73GB2A472J	CHIP R 4.7K J 1/10W	
R882			RK73GB2A362J	CHIP R 3.6K J 1/10W	
R883,884			RK73GB2A912J	CHIP R 9.1K J 1/10W	
R885			RK73GB2A682J	CHIP R 6.8K J 1/10W	
R886			RK73GB2A472J	CHIP R 4.7K J 1/10W	
R887			RK73GB2A362J	CHIP R 3.6K J 1/10W	
R888			RK73GB2A682J	CHIP R 6.8K J 1/10W	
R889			RK73GB2A472J	CHIP R 4.7K J 1/10W	
R890			RK73GB2A362J	CHIP R 3.6K J 1/10W	
R891			RK73GB2A912J	CHIP R 9.1K J 1/10W	
R900-903			RK73GB2A2R2J	CHIP R 2.2 J 1/10W	
R914			RK73GB2A181J	CHIP R 180 J 1/10W	
R915			RK73GB2A100J	CHIP R 10 J 1/10W	
R921			RK73GB2A2R2J	CHIP R 2.2 J 1/10W	
W140			R92-1252-05	CHIP R 0 OHM J 1/16W	E1E2
W340			R92-1252-05	CHIP R 0 OHM J 1/16W	K1E1E2

Ref. No.	Ad	New	Parts No.	Description	Desti- nation
W511			R92-1252-05	CHIP R 0 OHM J 1/16W	
W901			R92-1252-05	CHIP R 0 OHM J 1/16W	
S600,601			S68-0886-05	PUSH SWITCH	
D1			S2V60-5009F46	DIODE	
D2			IMSA-6802-E	SURGE ABSORBER	
D20			RB160L-40	DIODE	
D21			UDZS5.6B	ZENER DIODE	
D30			HZU9.1(B1)-E	ZENER DIODE	
D31			UDZS8.2B	ZENER DIODE	
D40			UDZS9.1B	ZENER DIODE	
D50			HZU11(B1)-E	ZENER DIODE	
D70			UDZS20B	ZENER DIODE	
D80		*	RF301B2S	DIODE	
D81			NSQ03A04G	DIODE	
D82,83			RB160L-40	DIODE	
D84			1SR154-400	DIODE	
D85			UDZS4.7B	ZENER DIODE	
D86			1SR154-400	DIODE	
D100			UDZS16B	ZENER DIODE	
D101-103			DAP202U	DIODE	
D104			UDZS6.8B	ZENER DIODE	
D120			DAP202U	DIODE	
D121,122			UDZS6.8B	ZENER DIODE	
D123			UDZS6.2B	ZENER DIODE	
D140,141			1SR154-400	DIODE	
D150,151			1SR154-400	DIODE	
D160			UDZS5.6B	ZENER DIODE	
D170			UDZS4.7B	ZENER DIODE	
D190			STZ6.2N	ZENER DIODE	
D190,191			STZ6.2N	ZENER DIODE	
D200,201			AVRL1613R3FTA	VARIATOR	
D320			DA204U	DIODE	
D350			UDZS11B	ZENER DIODE	
D351			UDZS5.6B	ZENER DIODE	
D361-363			DAP202U	DIODE	
D365-370			AVRM1608180M6A	VARIATOR	
D410-412			UDZS6.8B	ZENER DIODE	
D420-422			UDZS6.8B	ZENER DIODE	
D423-428			UDZS6.2B	ZENER DIODE	
D450,451			DAP202U	DIODE	
D454			1SR154-400	DIODE	
D459			1SR154-400	DIODE	
D484-486			DAP202U	DIODE	
D500			DAP202U	DIODE	
D501-508			UDZS6.2B	ZENER DIODE	
D650			DAP222	DIODE	
D651			UDZS6.8B	ZENER DIODE	
D701			DA204U	DIODE	
D800,801			DA204U	DIODE	
IC10			M5237ML-CF0J	ANALOGUE IC	
IC80			BD9302FP	ANALOGUE IC	
IC83			S-1132B33U5T1G	ANALOGUE IC	
IC100			NJM4565V-ZB	ANALOGUE IC	

E1 : KDC-W9537U E2 : KDC-W9537UY (Europe)
K1 : KDC-X991 (North America) M1 : KDC-X9006U (Other Areas)

△ Indicates safety critical components.

PARTS LIST

ELECTRIC UNIT (X34-482x-xx)

Ref. No.	Add	New	Parts No.	Description	Destination
IC101			TA75S58F-F	ANALOGUE IC	K1
IC140			TPD1018F-F	ANALOGUE IC	
IC300			MIC2005-05YM6	MOS-IC	
IC310			MMA6261QR2	ANALOGUE IC	
IC320			NJM4565V-ZB	ANALOGUE IC	
IC340			LC72725KV	ANALOGUE IC	K1E1E2
IC350			ICL7660SIBAZ	ANALOGUE IC	
IC361-363			NJM4565V-ZB	ANALOGUE IC	
IC450			TB2923HQ	ANALOGUE IC	
IC480			E-TDA7415CB	ANALOGUE IC	
IC500		*	30624MWPB56GP	MICROCONTROLLER IC	
IC510			S-80836CNNB-J	MOS-IC	
IC520			BR24L04FV-W	ROM IC	
IC530			74HC2G02DP	MOS-IC	
IC600			LB1930M-E	ANALOGUE IC	
IC650		*	NJM4565V-ZB	ANALOGUE IC	
IC700			K9F4G08U0APIB	MOS-IC	
IC701			S-1132B33U5T1G	ANALOGUE IC	
IC702			341S2094	MICROPROCESSOR IC	
IC703			AK4117	MOS-IC	
IC705			TAR5S50-F	ANALOGUE IC	
IC708			SI-3033KMS	ANALOGUE IC	
IC709,710			TC7WT126FU-F	MOS-IC	
IC711			TCC760	MOS-IC	
IC712			74LV08PW	MOS-IC	
IC714			IC42S164007TIG	DRAM IC	
IC715		*	A29L16AUV8X5F	ROM IC	
IC716			R1114N181B-TR	ANALOGUE IC (1.8V LF)	
IC717			TAR5S50-F	ANALOGUE IC	
IC830		*	AK7748VT	MOS-IC	
IC831			AK4359VF	MOS-IC	
IC860-862			NJM4580V-ZB	ANALOGUE IC	
Q10		*	KTA1046-P	TRANSISTOR	
Q11,12			UMC2N	TRANSISTOR	
Q20		*	KTA1046-P	TRANSISTOR	
Q21			2SD2351(W)	TRANSISTOR	
Q22			2SA1577	TRANSISTOR	
Q23			KRC403-P	DIGITAL TRANSISTOR	
Q30		*	KTA1046-P	TRANSISTOR	
Q31			2SC4081	TRANSISTOR	
Q32			UMC2N	TRANSISTOR	
Q33			2SC4081	TRANSISTOR	
Q34			2SB1184	TRANSISTOR	
Q40		*	KTA1046-P	TRANSISTOR	
Q41			2SC4081	TRANSISTOR	
Q42			UMC2N	TRANSISTOR	
Q43			2SD2351(W)	TRANSISTOR	
Q50			2SB1184	TRANSISTOR	
Q51			KTC4075P(Y,GR)	TRANSISTOR	
Q52			UMC2N	TRANSISTOR	
Q70			2SB1449(R)-E	TRANSISTOR	
Q71			2SC5053	TRANSISTOR	
Q72			UMC2N	TRANSISTOR	
Q80			RTQ025P02	FET	
Q81			DTC124EE	DIGITAL TRANSISTOR	

Ref. No.	Add	New	Parts No.	Description	Destination
Q83			UMG2N	TRANSISTOR	
Q84,85			DTC143TUA	DIGITAL TRANSISTOR	
Q86		*	KTA1862D(Y)	TRANSISTOR	
Q88,89			2SC4081	TRANSISTOR	
Q100			2SB1188(R)	TRANSISTOR	
Q101			2SC4081	TRANSISTOR	
Q103-105			2SC4081	TRANSISTOR	
Q120			2SC4081	TRANSISTOR	
Q122,123			2SC4081	TRANSISTOR	
Q150			2SB1184	TRANSISTOR	
Q151			DTC114YUA	DIGITAL TRANSISTOR	K1M1
Q160			DTA123JK	DIGITAL TRANSISTOR	
Q180			DTC144EUA	DIGITAL TRANSISTOR	
Q320			2SC4617	TRANSISTOR	
Q350			2SB1184	TRANSISTOR	
Q351			KTC4075P(Y,GR)	TRANSISTOR	K1M1
Q352,353			2SA1576A	TRANSISTOR	
Q354			2SC4081	TRANSISTOR	
Q356,357			2SC4081	TRANSISTOR	
Q358			2SA1576A	TRANSISTOR	
Q361,362			DTA124EUA	DIGITAL TRANSISTOR	
Q363-368			DTC143TUA	DIGITAL TRANSISTOR	
Q400			2SB1689	TRANSISTOR	
Q401			KRC403-P	DIGITAL TRANSISTOR	
Q500			DTC144EUA	DIGITAL TRANSISTOR	
Q501			KTA2014P(Y,GR)	TRANSISTOR	
Q600			DTC114YUA	DIGITAL TRANSISTOR	
Q703,704			DTA114YUA	DIGITAL TRANSISTOR	
Q705,706			DTC114YUA	DIGITAL TRANSISTOR	
Q707			KRC403-P	DIGITAL TRANSISTOR	
TH450			PRF18BE471QS2	POSITIVE RESISTOR	
A400	2D		X86-4040-11	FRONT-END UNIT	K1M1
A400	2D		X86-4042-70	FRONT-END UNIT	E1E2
CD MECHANISM ASSY (X92-5870-00) (DXM-6C20W)					
1	2B		A10-5328-11	CHASSIS	
2	1B		A10-5329-11	CHASSIS	
5	2B		D10-4910-13	ARM ASSY	
8	2A	*	D10-4911-23	LEVER ASSY	
10	2A		D10-4906-33	ARM	
11	2A		D10-4907-33	ARM	
12	3A		D10-4908-03	ARM	
13	3A		D10-4909-03	ARM	
14	3B		D10-4915-03	ARM	
15	2A		D10-4916-23	SLIDER	
16	3B		D10-4914-12	SLIDER	
17	2B		D10-4588-13	SLIDER	
18	2B		D10-4917-04	ARM	
19	2B		D10-4596-24	ARM	
22	2A		D13-2151-04	GEAR	
23	2B		D13-2152-04	GEAR	
24	3B		D13-2153-04	GEAR	
25	3B		D13-2154-04	GEAR	
26	3B		D13-2155-04	WORM	

E1 : KDC-W9537U E2 : KDC-W9537UY (Europe)
K1 : KDC-X991 (North America) M1 : KDC-X9006U (Other Areas)

△ Indicates safety critical components.

