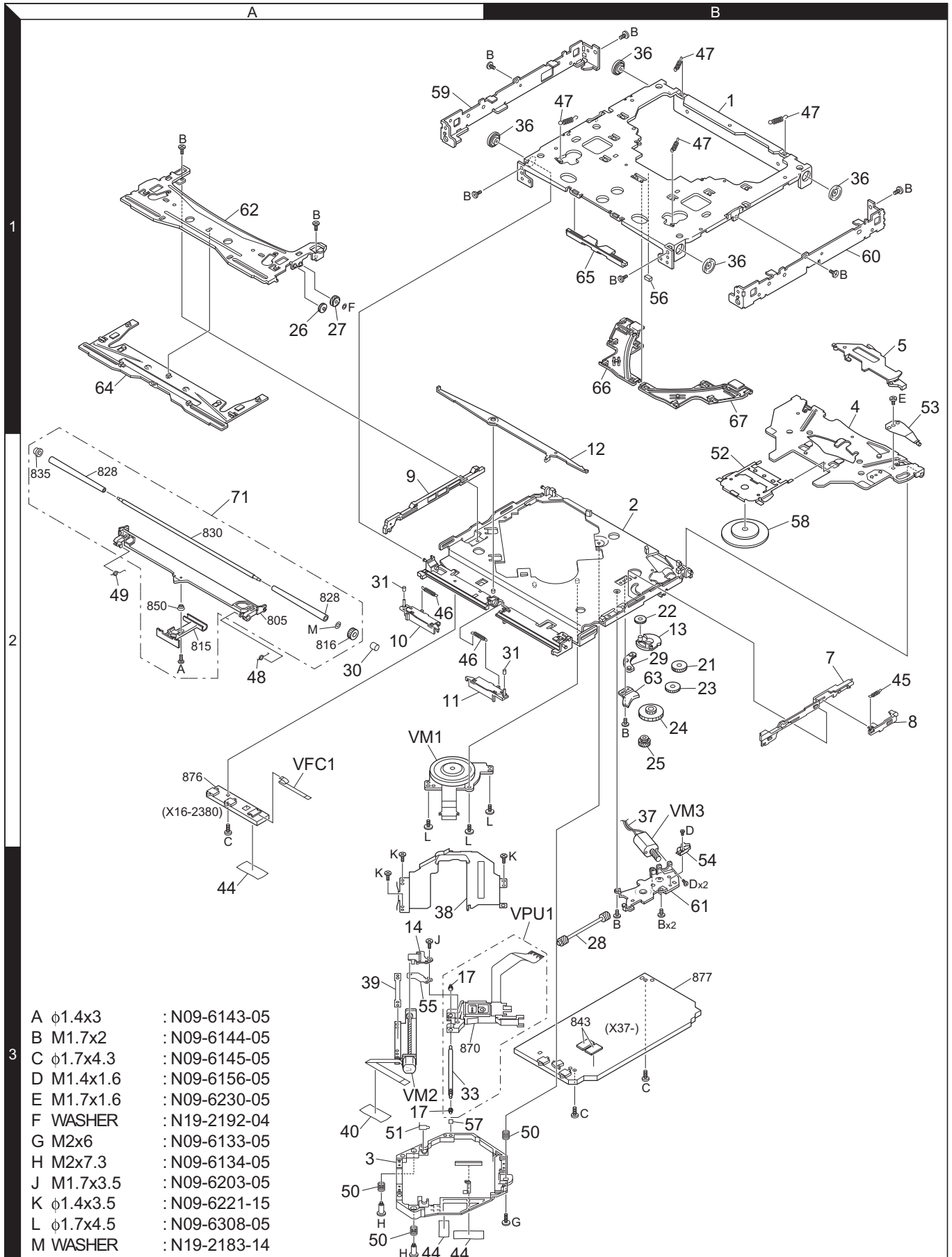


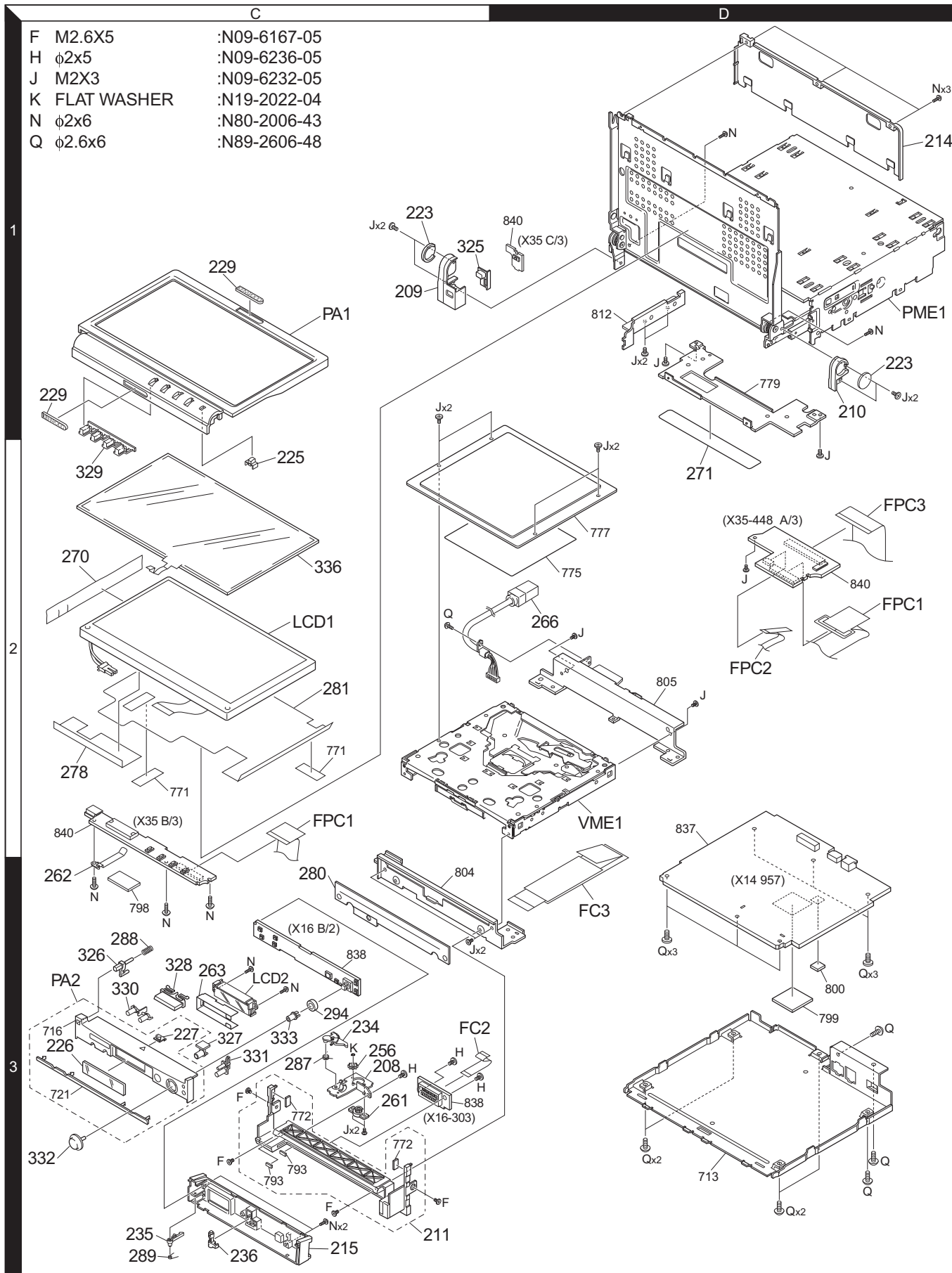
# EXPLODED VIEW (DVD MECHANISM)



Parts with the exploded numbers larger than 700 are not supplied.

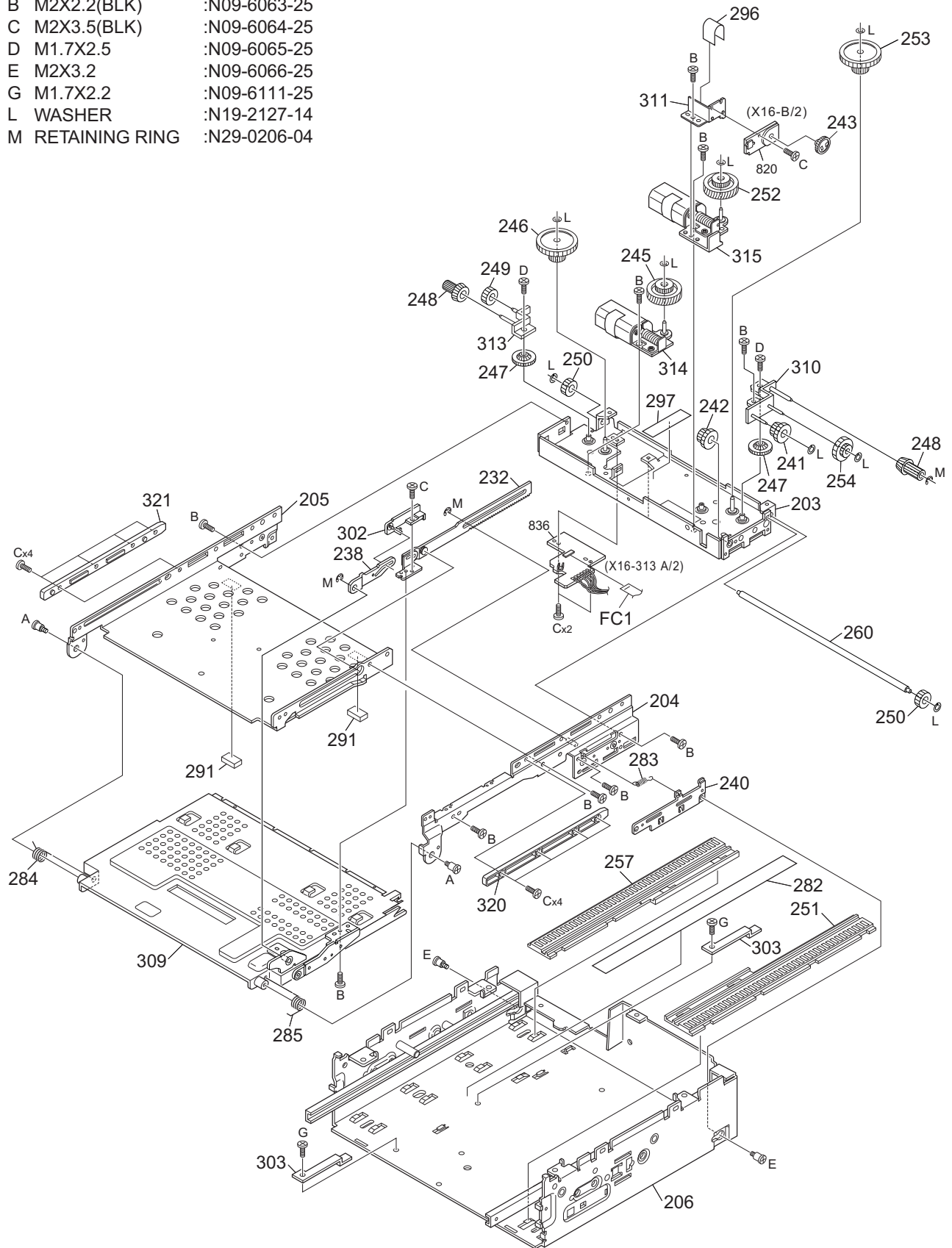
# EXPLODED VIEW (MAIN UNIT)

- |   |             |              |
|---|-------------|--------------|
| F | M2.6X5      | :N09-6167-05 |
| H | φ2x5        | :N09-6236-05 |
| J | M2X3        | :N09-6232-05 |
| K | FLAT WASHER | :N19-2022-04 |
| N | φ2x6        | :N80-2006-43 |
| Q | φ2.6x6      | :N89-2606-48 |



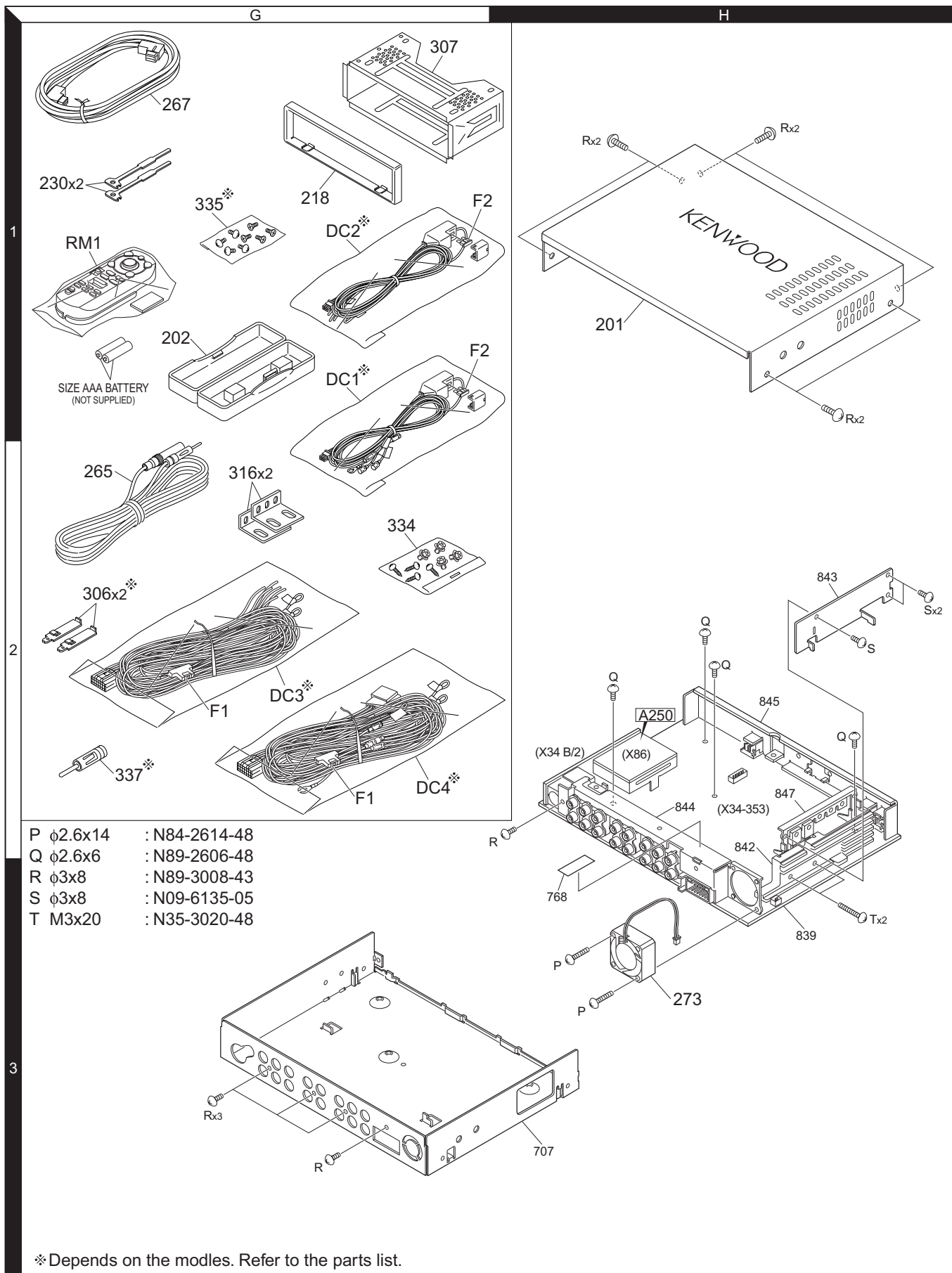
# EXPLODED VIEW (DRIVE MECHANISM)

- |   |                |              |
|---|----------------|--------------|
| A | M2.6X3.7       | :N09-6062-15 |
| B | M2X2.2(BLK)    | :N09-6063-25 |
| C | M2X3.5(BLK)    | :N09-6064-25 |
| D | M1.7X2.5       | :N09-6065-25 |
| E | M2X3.2         | :N09-6066-25 |
| G | M1.7X2.2       | :N09-6111-25 |
| L | WASHER         | :N19-2127-14 |
| M | RETAINING RING | :N29-0206-04 |



Parts with the exploded numbers larger than 700 are not supplied.

# EXPLODED VIEW (HIDEAWAY UNIT / ACCESSORIES)



\* Depends on the modles. Refer to the parts list.

# PARTS LIST

\* New parts

Parts without **Parts No.** are not supplied.

Les articles non mentionnés dans le **Parts No.** ne sont pas fournis.

Teile ohne **Parts No.** werden nicht geliefert.

Ref. No.	Added	New	Parts No.	Description	Destination	Ref. No.	Added	New	Parts No.	Description	Destination
<b>KVT-627DVD/627DVDY/717DVD/737DVD/747DVD/767DVD</b>											
201	1H	*	A01-2865-01	METALLIC CABINET	K1	225	2C	*	B10-4688-04	FRONT GLASS (DIMMER)	
201	1H	*	A01-2869-01	METALLIC CABINET	M2X2C1	226	3C	*	B10-4691-03	FRONT GLASS	K1R1M2
201	1H	*	A01-2869-01	METALLIC CABINET	R1E5E6	226	3C	*	B10-4691-03	FRONT GLASS	X2C1
202	1G		A02-2723-03	PLASTIC CABINET ASSY		226	3C	*	B10-4692-03	FRONT GLASS	E5E6
203	2F		A10-5013-23	CHASSIS CALKING ASSY		227	3C	*	B19-2330-04	LIGHTING BOARD (DISC)	
204	2F		A10-5015-33	CHASSIS CALKING ASSY		229	1C		B43-1524-04	BADGE	
205	2E		A10-5018-32	CHASSIS		LCD1	2C		B38-1122-15	LCD	
206	3F	*	A10-5137-02	CHASSIS CALKING ASSY		230	1G		D10-4674-04	LEVER	
208	3C	*	A11-1645-04	SUB CHASSIS CALKING ASSY		232	2F		D10-4703-23	ARM ASSY	
209	1C	*	A21-4499-02	DRESSING PANEL		234	3C		D10-4727-03	ARM (EJECT)	
210	1D	*	A21-4502-03	DRESSING PANEL		235	3C		D10-4728-04	ARM (LOCK)	
211	3C	*	A22-3068-03	SUB PANEL ASSY		236	3C		D10-4729-04	LEVER	
214	1D		A46-1776-02	REAR COVER		238	2E		D10-4733-23	ARM	
215	3C	*	A46-1820-01	REAR COVER		240	2F		D10-4761-24	LEVER ASSY	
PA1	1C	*	A64-3594-01	PANEL	K1	241	2F		D13-2251-14	GEAR	
PA1	1C	*	A64-3595-01	PANEL	R1X2	242	2F		D13-2252-14	GEAR	
PA1	1C	*	A64-3596-01	PANEL	E5E6	243	1F		D13-2253-14	GEAR	
PA1	1C	*	A64-3597-01	PANEL	M2	245	1F		D13-2256-14	GEAR	
PA1	1C	*	A64-3599-01	PANEL	C1	246	1F		D13-2257-14	GEAR	
PA2	3C	*	A64-3608-02	PANEL ASSY	C1	247	1F		D13-2258-24	GEAR	
PA2	3C	*	A64-3608-02	PANEL ASSY	C1	248	1E		D13-2259-24	GEAR	
PA2	3C	*	A64-3608-02	PANEL ASSY	K1R1X2	249	1F		D13-2260-14	GEAR	
PA2	3C	*	A64-3717-02	PANEL ASSY	E5E6	250	1F		D13-2261-14	GEAR	
PA2	3C	*	A64-3718-02	PANEL ASSY	M2	251	3F		D13-2262-23	RACK (GEAR)	
PME1	1D		A10-5207-11	CHASSIS ASSY		252	1F		D13-2263-14	GEAR	
RM1	1G	*	A70-2072-05	REMOTE CONTROLLER AS (RC-DV601)		253	1F		D13-2264-14	GEAR	
-			B46-0100-50	WARRANTY CARD	E5E6R1	254	2F		D13-2265-14	GEAR	
-			B46-0100-50	WARRANTY CARD	K1M2X2	256	3C		D13-2280-04	GEAR	
-			B46-0606-04	ID CARD	K1R1	257	3F		D13-2317-13	RACK (GEAR)	
-			B46-0612-14	ID CARD	E5E6M2	260	2F		D21-2416-23	SHAFT	
-			B46-0612-14	ID CARD	X2	261	3C		D39-0239-05	DAMPER	
-			B46-0639-00	WARRANTY CARD	C1	262	3C		E29-1924-04	LEAD PLATE (MONITOR)	
-			B46-0657-04	ID CARD	C1	263	3C	*	E29-2054-04	LEAD PLATE (MINI_LCD)	K1R1M2
-		*	B54-4464-00	INSTALLATION MANUAL	K1R1	263	3C	*	E29-2054-04	LEAD PLATE (MINI_LCD)	X2C1
-		*	B54-4465-00	INSTALLATION MANUAL	E5E6	265	2G	*	E30-6483-05	CORD WITH PLUG	
-		*	B54-4466-00	INSTALLATION MANUAL	M2X2C1	266	2D	*	E30-6484-05	CORD WITH PLUG (21P_TAIL)	
-			B58-1297-04	CAUTION CARD		267	1G	*	E30-6485-05	CORD WITH PLUG (MAIN-BOX)	
-		*	B64-3099-00	INSTRUCTION MANUAL (ENGLISH)	K1R1	DC1	1G	*	E30-6474-15	DC CORD (8PIM)	E5E6
-		*	B64-3100-00	INSTRUCTION MANUAL (FRENCH)	K1	DC2	1G	*	E30-6475-15	DC CORD (8PIM)	K1R1M2
-		*	B64-3101-00	INSTRUCTION MANUAL (SPANISH)	K1R1	DC2	1G	*	E30-6475-15	DC CORD (8PIM)	X2C1
-		*	B64-3102-00	INSTRUCTION MANUAL (PORTUGUESE)	R1	DC3	2G	*	E30-6481-15	DC CORD (16PIN)	K1R1M2
-		*	B64-3103-00	INSTRUCTION MANUAL (ENGLISH)	E5E6	DC3	2G	*	E30-6481-15	DC CORD (16PIN)	X2C1
-		*	B64-3104-00	INSTRUCTION MANUAL (FRENCH)	E5	DC4	2G	*	E30-6482-15	DC CORD (16PIN)	E5E6
-		*	B64-3105-00	INSTRUCTION MANUAL (GERMAN)	E5	FC1	2F		E39-0537-15	FLAT CABLE	
-		*	B64-3106-00	INSTRUCTION MANUAL (DUTCH)	E5	FC2	3C	*	E39-0771-05	FLAT CABLE (22PIN)	
-		*	B64-3107-00	INSTRUCTION MANUAL (ITALIAN)	E5	FC3	3D	*	E39-0769-15	FLAT CABLE (50PIN)	
-		*	B64-3108-00	INSTRUCTION MANUAL (SPANISH)	E5	270	2C		F09-1802-04	SHEET	
-		*	B64-3109-00	INSTRUCTION MANUAL (PORTUGUESE)	E5	271	2D		F09-1847-04	SHEET	
-		*	B64-3111-00	INSTRUCTION MANUAL (ENGLISH)	M2X2C1	273	3H	*	F09-1991-05	FAN	
-		*	B64-3112-00	INSTRUCTION MANUAL (T-CHINESE)	M2	278	2C		F12-0775-04	SHIELDING SHEET	
-		*	B64-3113-00	INSTRUCTION MANUAL (KOREAN)	M2	280	3C	*	F19-1456-03	BLIND PLATE	
-		*	B64-3114-00	INSTRUCTION MANUAL (S-CHINESE)	C1	281	2C		F20-2235-14	INSULATING SHEET	
218	1G	*	B07-3082-02	ESCUTCHEON		282	3F		F20-2240-14	INSULATING SHEET	
223	1C	*	B09-0538-04	CAP		F1	2D		F52-0023-05	FUSE (MINI BLADE TYPE) 10A	
						F2	1C		F52-0004-05	FUSE (MINI BLADE TYPE) 5A	

E5 : KVT-627DVD E6 : KVT-627DVDY (Europe)  
K1 : KVT-717DVD (North America)  
X2 : KVT-747DVD (Australia) R1 : KVT-747DVD (Latin America)  
C1 : KVT-767DVD (China) M2 : KVT-737DVD (Other Areas)

△ Indicates safety critical components.

# PARTS LIST

## KVT-627DVD/627DVDY/717DVD/737DVD/747DVD/767DVD

Ref. No.	A d d	N e w	Parts No.	Description	Desti- nation
283	2F		G01-3152-14	EXTENSION SPRING	
284	3E		G01-3153-14	TORSION COIL SPRING	
285	3E		G01-3161-14	TORSION COIL SPRING	
287	3C	*	G01-3265-04	TORSION COIL SPRING	
288	3C	*	G01-3266-04	COMPRESSION SPRING	
289	3C	*	G01-3267-04	TORSION COIL SPRING	
291	2E		G11-3512-14	CUSHION	
294	3C	*	G11-3663-04	CUSHION	
296	1F		G16-1452-14	SHEET	
297	2F		G16-1453-14	SHEET	
-		*	H02-0837-23	INNER CARTON CASE (HU BOX)	
-			H11-1550-04	POLYSTYRENE FOAMED BOARD	
-			H12-2747-13	PACKING FIXTURE	
-		*	H12-2799-04	PACKING FIXTURE (HU BOX)	
-		*	H12-2800-04	PACKING FIXTURE (HU BOX)	
-			H25-0338-04	PROTECTION BAG (250X350X0.03)	
-			H25-1111-04	PROTECTION BAG (280X450X0.03) HU	
-			H25-1115-04	PROTECTION BAG	E5E6
-			H25-1132-04	PROTECTION BAG (0.3X280X450)	K1R1M2
-			H25-1132-04	PROTECTION BAG (0.3X280X450)	X2C1
-		*	H54-3517-03	ITEM CARTON CASE	K1
-		*	H54-3518-03	ITEM CARTON CASE	R1
-		*	H54-3519-03	ITEM CARTON CASE	E5
-		*	H54-3520-03	ITEM CARTON CASE	E6
-		*	H54-3521-03	ITEM CARTON CASE	M2
-		*	H54-3522-03	ITEM CARTON CASE	X2
-		*	H54-3523-03	ITEM CARTON CASE	C1
302	2E		J19-5207-23	HOLDER	
303	3E		J19-5235-14	HOLDER	
306	1G		J21-9784-04	MOUNTING HARDWARE (TOYOTA)	K1R1M2
306	1G		J21-9784-04	MOUNTING HARDWARE (TOYOTA)	X2C1
307	1G		J21-9823-03	MOUNTING HARDWARE ASSY	
309	3E		J21-9916-32	MOUNTING HARDWARE ASSY	
310	1F		J21-9947-14	MOUNTING HARDWARE ASSY	
311	1F		J21-9949-14	MOUNTING HARDWARE	
313	1F		J21-9984-14	MOUNTING HARDWARE ASSY	
314	1F		J21-9986-23	MOUNTING HARDWARE ASSY	
315	1F		J21-9987-23	MOUNTING HARDWARE ASSY	
316	1G		J22-0054-14	MOUNTING HARDWARE	
320	3F		J90-1053-13	GUIDE	
321	2E		J90-1064-13	GUIDE	
FPC1	2D		J84-0150-05	FLEXIBLE PRINTED WIRING B (50P)	
FPC2	2D		J84-0151-05	FLEXIBLE PRINTED WIRING B (10P)	
FPC3	2D		J84-0158-15	FLEXIBLE PRINTED WIRING B (80P)	
325	1C	*	K24-4344-04	PUSH KNOB (OPEN)	
326	3C	*	K24-4346-04	PUSH KNOB (RELEASE)	
327	3C	*	K24-4348-03	PUSH KNOB (SORCE)	
328	3C	*	K24-4349-03	PUSH KNOB (VOL)	
329	2C	*	K25-1715-03	PUSH KNOB (MONITOR)	
330	3C	*	K25-1718-03	PUSH KNOB (ATT/AUTO)	
331	3C	*	K25-1720-03	PUSH KNOB (EJECT/RESET)	
332	3C	*	K29-7170-04	KEY TOP (4WAY)	
333	3C	*	K29-7171-03	KNOB BASE (4WAY)	

Ref. No.	A d d	N e w	Parts No.	Description	Desti- nation
334	1G		N99-1753-05	SCREW SET (BOX)	
335	1G	*	N99-1775-05	SCREW SET	K1R1M2
335	1G	*	N99-1775-05	SCREW SET	X2C1
A	2E		N09-6062-15	STEPPED SCREW (M2.6X3.7)	
B	3E		N09-6063-25	MACHINE SCREW (M2X2.2)	
C	3F		N09-6064-25	MACHINE SCREW (M2X3.5)	
D	1F		N09-6065-25	MACHINE SCREW (M1.7X2.5)	
E	3F		N09-6066-25	STEPPED SCREW (M2X3.2)	
F	3C		N09-6167-05	MACHINE SCREW (M2.6X5)	
G	3F		N09-6111-25	MACHINE SCREW (M1.7X2.2)	
H	3C		N09-6236-05	SEMS (TAPTITE SCREW) (2.0X5)	
J	2D		N09-6232-05	MACHINE SCREW (M2.0X3.0)	
K	3C		N19-2022-04	FLAT WASHER (1.6X3.2X0.25)	
L	2F		N19-2127-14	FLAT WASHER (1.6X4X0.25 BLUE)	
M	2F		N29-0206-04	RETAINING RING (2)	
N	1D		N80-2006-43	PAN HEAD TAPTITE SCREW	
P	3H		N84-2614-48	PAN HEAD TAPTITE SCREW	
Q	3D		N89-2606-48	BINDING HEAD TAPTITE SCREW	
R	1H		N89-3008-43	BINDING HEAD TAPTITE SCREW	
336	2C		S79-0845-05	SWITCH ASSY	
337	2G		T90-0552-05	ANTENNA ADAPTOR	E5E6
LCD2	3C	*	W02-5159-05	ELECTRIC CIRCUIT MODULE	K1R1M2
LCD2	3C	*	W02-5159-05	ELECTRIC CIRCUIT MODULE	X2C1
VME1	2D	*	X92-5130-00	DVD MECHANISM ASSY (DVS-7000V)	
<b>VIDEO CONTROL UNIT (X14-957/958x-xx)</b>					
C31,32			CC73GCH1H471J	CHIP C	470PF J
C48,49			CC73GCH1H471J	CHIP C	470PF J
C100			CK73GB1H103K	CHIP C	0.010UF K
C101			C90-5670-05	ELECTRO	2200UF 16WV
C102			CK73GB1H103K	CHIP C	0.010UF K
C103-105			CC73GCH1H151J	CHIP C	150PF J
C108			CK73GB1A105K	CHIP C	1.0UF K
C109-111			CK73GB1H104K	CHIP C	0.10UF K
C113			CK73GB1H104K	CHIP C	0.10UF K
C114			CK73EB1H474K	CHIP C	0.47UF K
C115-117			CK73GB1H104K	CHIP C	0.10UF K
C118			CE32BM1C221M	CHIP EL	220UF 16WV
C119-121			CK73GB1H104K	CHIP C	0.10UF K
C122			CK73FB1C105K	CHIP C	1.0UF K
C123-126			CK73GB1H104K	CHIP C	0.10UF K
C127			CK73EB1C106K	CHIP C	10UF K
C128			CK73FB0J106K	CHIP C	10UF K
C130-133			C93-1367-05	CHIP C	10UF 25WV
C134			CC73GCH1H101J	CHIP C	100PF J
C135			CC73GCH1H391J	CHIP C	390PF J
C136			C93-1367-05	CHIP C	10UF 25WV
C137-139			CK73GB1H104K	CHIP C	0.10UF K
C140			CK73GB1H102K	CHIP C	1000PF K
C141			C93-1367-05	CHIP C	10UF 25WV
C142			CK73GB1H104K	CHIP C	0.10UF K
C143,144			CE32AU1A560M	CHIP EL	56UF 10WV
C145			CE32AU0J121M	CHIP EL	120UF 6.3WV

E5 : KVT-627DVD E6 : KVT-627DVDY (Europe)

K1 : KVT-717DVD (North America)

X2 : KVT-747DVD (Australia) R1 : KVT-747DVD (Latin America)

C1 : KVT-767DVD (China) M2 : KVT-737DVD (Other Areas)

△ Indicates safety critical components.

# PARTS LIST

## VIDEO CONTROL UNIT (X14-957/958x-xx)

Ref. No.	Add	New	Parts No.	Description	Destination	Ref. No.	Add	New	Parts No.	Description	Destination
C146			CE32AU1A560M	CHIP EL 56UF 10WV		C324			CK73GB1H223K	CHIP C 0.022UF K	
C147			CK73GB1H102K	CHIP C 1000PF K		C325			CK73GB0J475K	CHIP C 4.7UF K	
C148,149			CK73GB1H104K	CHIP C 0.10UF K		C326			CK73GB1H473K	CHIP C 0.047UF K	
C151			CK73GB1H104K	CHIP C 0.10UF K		C332,333			CK73GB1A105K	CHIP C 1.0UF K	E5E6M2
C152			CE32AU1A560M	CHIP EL 56UF 10WV		C332,333			CK73GB1A105K	CHIP C 1.0UF K	X2C1
C153-155			CK73GB1H104K	CHIP C 0.10UF K		C334			CK73GB1H104K	CHIP C 0.10UF K	
C156			CK73GB1A474K	CHIP C 0.47UF K		C335,336			CK73GB1A105K	CHIP C 1.0UF K	E5E6M2
C158			CK73GB1H104K	CHIP C 0.10UF K		C335,336			CK73GB1A105K	CHIP C 1.0UF K	X2C1
C159,160		*	C92-1909-05	ELECTRO 22UF 12.5WV		C337			CK73GB1A474K	CHIP C 0.47UF K	
C161			C92-1685-05	ELECTRO 47UF 6.3WV		C338			CK73FB0J106K	CHIP C 10UF K	
C162			CK73GB1H102K	CHIP C 1000PF K		C339			CK73GB1H472K	CHIP C 4700PF K	
C163			CK73GB1A474K	CHIP C 0.47UF K		C340			CK73GB1A105K	CHIP C 1.0UF K	
C164			CK73GB1H102K	CHIP C 1000PF K		C341			CK73FB0J106K	CHIP C 10UF K	
C165			CK73GB1A474K	CHIP C 0.47UF K		C342,343			CK73GB1A105K	CHIP C 1.0UF K	
C166			CK73GB1H102K	CHIP C 1000PF K		C344			CK73GB1H223K	CHIP C 0.022UF K	
C167,168			CK73GB1H104K	CHIP C 0.10UF K		C345-350			CK73GB1A105K	CHIP C 1.0UF K	
C169			CK73GB1H102K	CHIP C 1000PF K		C351			CK73FB1A225K	CHIP C 2.2UF K	
C170			CK73GB1H104K	CHIP C 0.10UF K		C352			CK73GB1A105K	CHIP C 1.0UF K	
C171			CK73GB1H102K	CHIP C 1000PF K		C353			CK73GB1H103K	CHIP C 0.010UF K	
C172,173			CK73GB1H104K	CHIP C 0.10UF K		C354,355			CK73FB1A225K	CHIP C 2.2UF K	
C174			CK73GB1H102K	CHIP C 1000PF K		C361			C92-1685-05	ELECTRO 47UF 6.3WV	
C175			CK73GB1H104K	CHIP C 0.10UF K		C362			CK73GB1H104K	CHIP C 0.10UF K	
C180,181			CK73FB1C105K	CHIP C 1.0UF K		C363			CK73FB0J106K	CHIP C 10UF K	
C200,201			CK73GB1H103K	CHIP C 0.010UF K		C364			CC73GCH1H331J	CHIP C 330PF J	
C202			CC73GCH1H180J	CHIP C 18PF J		C365			CK73GB1A105K	CHIP C 1.0UF K	
C203			CC73GCH1H220J	CHIP C 22PF J		C366,367			CK73GB1H104K	CHIP C 0.10UF K	
C204			CK73GB1A105K	CHIP C 1.0UF K		C368			CK73GB1A105K	CHIP C 1.0UF K	
C205			CK73FB0J106K	CHIP C 10UF K		C369			CK73GB1H104K	CHIP C 0.10UF K	
C206-209			CK73GB1H104K	CHIP C 0.10UF K		C370			CK73GB1H103K	CHIP C 0.010UF K	
C210			CK73GB1H103K	CHIP C 0.010UF K		C371			CK73GB0J475K	CHIP C 4.7UF K	
C211,212			CK73GB1H104K	CHIP C 0.10UF K		C372			CK73GB1H153K	CHIP C 0.015UF K	
C213-216			CK73GB1H103K	CHIP C 0.010UF K		C373			CC73GCH1H151J	CHIP C 150PF J	
C217			CK73GB1H104K	CHIP C 0.10UF K		C374			CC73GCH1E102J	CHIP C 1000PF J	
C218,219			CK73GB1H103K	CHIP C 0.010UF K		C375			CC73GCH1H390J	CHIP C 39PF J	
C220-222			CK73GB1H104K	CHIP C 0.10UF K		C376			CC73GCH1H150J	CHIP C 15PF J	
C301			CK73FB0J106K	CHIP C 10UF K		C377		*	C93-1394-05	CHIP C 5PF 50WV	
C303			CK73GB1H104K	CHIP C 0.10UF K	E5E6M2	C390			CK73GB1A105K	CHIP C 1.0UF K	
C303			CK73GB1H104K	CHIP C 0.10UF K	X2C1	C402			CK73FB0J106K	CHIP C 10UF K	
C304			CK73FB0J106K	CHIP C 10UF K		C403			CK73GB1H104K	CHIP C 0.10UF K	
C306			CC73GCH1H270J	CHIP C 27PF J	E5E6M2	C404			CK73GB1A105K	CHIP C 1.0UF K	
C306			CC73GCH1H270J	CHIP C 27PF J	X2C1	C405-409			CK73GB1H104K	CHIP C 0.10UF K	
C306			CC73GCH1H470J	CHIP C 47PF J	K1R1	C410			CK73FB0J106K	CHIP C 10UF K	
C307			CK73GB1H104K	CHIP C 0.10UF K		C411			CK73GB1H104K	CHIP C 0.10UF K	
C309			CC73GCH1H180J	CHIP C 18PF J	E5E6M2	C412			CK73GB1A105K	CHIP C 1.0UF K	
C309			CC73GCH1H180J	CHIP C 18PF J	X2C1	C413-416			CK73GB1H104K	CHIP C 0.10UF K	
C310			CC73GCH1H220J	CHIP C 22PF J		C419-423			CK73GB1H104K	CHIP C 0.10UF K	
C311-313			CK73GB1H104K	CHIP C 0.10UF K	E5E6M2	C424,425			CK73GB1H103K	CHIP C 0.010UF K	
C311-313			CK73GB1H104K	CHIP C 0.10UF K	X2C1	C426			CC73GCH1H100D	CHIP C 10PF D	
C312,313			CK73GB1H104K	CHIP C 0.10UF K	K1R1	C429,430			CC73GCH1H020C	CHIP C 2.0PF C	
C316			CK73GB1H104K	CHIP C 0.10UF K		C501			CK73GB1H104K	CHIP C 0.10UF K	
C317			CC73GCH1H180J	CHIP C 18PF J		C502			C92-1452-05	ELECTRO 100UF 10WV	
C318			CC73GCH1H270J	CHIP C 27PF J	E5E6M2	C520			CK73FB0J106K	CHIP C 10UF K	
C318			CC73GCH1H270J	CHIP C 27PF J	X2C1	C540			CK73GB1A105K	CHIP C 1.0UF K	
C319,320			CK73GB0J225K	CHIP C 2.2UF K		C541,542			CC73GCH1H100D	CHIP C 10PF D	
C321-323			CK73GB1A105K	CHIP C 1.0UF K		C560			CK73FB0J106K	CHIP C 10UF K	

E5 : KVT-627DVD E6 : KVT-627DVDY (Europe)  
K1 : KVT-717DVD (North America)  
X2 : KVT-747DVD (Australia) R1 : KVT-747DVD (Latin America)  
C1 : KVT-767DVD (China) M2 : KVT-737DVD (Other Areas)

△ Indicates safety critical components.

# PARTS LIST

## VIDEO CONTROL UNIT (X14-957/958x-xx)

Ref. No.	A d d	N e w	Parts No.	Description	Desti- nation
C561-567			CK73GB1H104K	CHIP C 0.10UF K	
C581			CK73GB1H104K	CHIP C 0.10UF K	
C601-606			CK73GB1H104K	CHIP C 0.10UF K	
C607			CK73GB1A105K	CHIP C 1.0UF K	
C608-615			CK73GB1H104K	CHIP C 0.10UF K	
C616			CK73FB0J106K	CHIP C 10UF K	
C617			CK73GB1A105K	CHIP C 1.0UF K	
C618-628			CK73GB1H104K	CHIP C 0.10UF K	
C650			CK73GB1H104K	CHIP C 0.10UF K	
C651,652			CK73GB1A105K	CHIP C 1.0UF K	
C654-656			CK73GB1A105K	CHIP C 1.0UF K	
C657,658			CK73GB1H104K	CHIP C 0.10UF K	
C659			C92-1452-05	ELECTRO 100UF 10WV	
C660			CK73FB0J106K	CHIP C 10UF K	
C661,662			CK73GB1H104K	CHIP C 0.10UF K	
C663			CK73FB0J106K	CHIP C 10UF K	
C664			C92-1685-05	ELECTRO 47UF 6.3WV	
C665-668			CK73GB1H104K	CHIP C 0.10UF K	
C669			CK73FB0J106K	CHIP C 10UF K	
C670			CK73GB1H104K	CHIP C 0.10UF K	
C671,672			CK73GB1A105K	CHIP C 1.0UF K	
C673,674			CK73GB1H104K	CHIP C 0.10UF K	
C675			CK73GB1A105K	CHIP C 1.0UF K	
C701			CK73GB1H332K	CHIP C 3300PF K	
C702,703			CC73GCH1H681J	CHIP C 680PF J	
C704			CK73GB1H104K	CHIP C 0.10UF K	
C705			CK73EB1C106K	CHIP C 10UF K	
C706			CK73EB1A475K	CHIP C 4.7UF K	
C707			CC73GCH1H101J	CHIP C 100PF J	
C708			CK73GB1H332K	CHIP C 3300PF K	
C709,710			CC73GCH1H681J	CHIP C 680PF J	
C711			CK73EB1A475K	CHIP C 4.7UF K	
C712			CC73GCH1H101J	CHIP C 100PF J	
C713			CK73EB1C106K	CHIP C 10UF K	
C714,715			CK73GB1H104K	CHIP C 0.10UF K	
C717			CK73FB0J106K	CHIP C 10UF K	
C718			CK73GB1H104K	CHIP C 0.10UF K	
C752			CK73GB1H104K	CHIP C 0.10UF K	
C770,771			CK73GB1H104K	CHIP C 0.10UF K	
C772			CK73FB0J106K	CHIP C 10UF K	
C773-775			CK73GB1H104K	CHIP C 0.10UF K	
C800			CC73GCH1H101J	CHIP C 100PF J	
C804			CK73GB1H104K	CHIP C 0.10UF K	
C850,851			CK73GB1H104K	CHIP C 0.10UF K	
C900,901			CC73GCH1H101J	CHIP C 100PF J	
C902			CK73GB1A105K	CHIP C 1.0UF K	
C903,904			CC73GCH1H101J	CHIP C 100PF J	
C906			CC73GCH1H101J	CHIP C 100PF J	
C918			CK73FB0J106K	CHIP C 10UF K	
C926,927			CK73GB1H104K	CHIP C 0.10UF K	
CN501			E41-2197-05	FLAT CABLE CONNECTOR	
CN850		*	E41-2526-05	FLAT CABLE CONNECTOR	
CN900		*	E41-2523-05	FLAT CABLE CONNECTOR	
CN904		*	E41-2529-05	PIN ASSY	
J100			E58-0899-05	RECTANGULAR RECEPTACLE	

Ref. No.	A d d	N e w	Parts No.	Description	Desti- nation
J960			E56-0854-05	CYLINDRICAL RECEPTACLE	
CF100-105			L72-0780-05	CERAMIC FILTER	
L8		*	L19-0733-15	TRANSFORMER FOR CONVERTER	
L100			L92-0373-05	CHIP FERRITE	
L101,102			L33-1914-05	CHOKE COIL	
L103		*	L33-2277-05	CHOKE COIL	
L104,105		*	L33-2248-05	CHOKE COIL	
L106,107			L41-1005-33	SMALL FIXED INDUCTOR (10U)	
L108			L79-0958-05	LINE FILTER	
L109-111			L92-0373-05	CHIP FERRITE	
L200			L92-0319-05	CHIP FERRITE	
L300			L41-4705-33	SMALL FIXED INDUCTOR	
L301			L41-1005-33	SMALL FIXED INDUCTOR (10U)	
L350			L41-1005-33	SMALL FIXED INDUCTOR (10U)	
L400			L41-1005-33	SMALL FIXED INDUCTOR (10U)	
L402			L41-1005-33	SMALL FIXED INDUCTOR (10U)	
L520			L92-0373-05	CHIP FERRITE	
L540			L41-1005-33	SMALL FIXED INDUCTOR (10U)	
L560			L92-0373-05	CHIP FERRITE	
L601			L92-0373-05	CHIP FERRITE	
L603			L92-0373-05	CHIP FERRITE	
L650			L41-1005-33	SMALL FIXED INDUCTOR (10U)	
L651			L92-0373-05	CHIP FERRITE	
L701,702			L41-1005-33	SMALL FIXED INDUCTOR (10U)	
L802			L92-0373-05	CHIP FERRITE	
L900-902			L92-0373-05	CHIP FERRITE	
X200		*	L78-1210-05	RESONATOR (4.95MHZ)	
X201		*	L77-2917-05	CRYSTAL RESONATOR (32.768KHZ)	
X300			L77-2806-05	CRYSTAL RESONATOR (3.579545MHZ)	
X301			L77-2807-05	CRYSTAL RESONATOR (4.433619MHZ)	E5E6M2
X301			L77-2807-05	CRYSTAL RESONATOR (4.433619MHZ)	X2C1
X360			L78-0549-05	RESONATOR (15.734KHZ)	
X540			L77-2866-05	CRYSTAL RESONATOR (27MHZ)	
CP400-407			RK74HB1J330J	CHIP-COM 33 J 1/16W	
CP501-505			RK74HB1J471J	CHIP-COM 470 J 1/16W	
CP506-510			RK74HB1J103J	CHIP-COM 10K J 1/16W	
CP601-604			RK74HB1J472J	CHIP-COM 4.7K J 1/16W	
CP605			RK74HB1J470J	CHIP-COM 47 J 1/16W	
CP606-612			RK74HB1J101J	CHIP-COM 100 J 1/16W	
CP613,614			RK74HB1J330J	CHIP-COM 33 J 1/16W	
CP615-618			RK74HB1J472J	CHIP-COM 4.7K J 1/16W	
CP619-625			RK74HB1J220J	CHIP-COM 22 J 1/16W	
R11-14			RK73GB2A220J	CHIP R 22 J 1/10W	
R15,16			RK73GB2A101J	CHIP R 100 J 1/10W	
R39,40			RK73GB2A101J	CHIP R 100 J 1/10W	
R44			RK73GB2A103J	CHIP R 10K J 1/10W	
R51,52			RK73GB2A101J	CHIP R 100 J 1/10W	
R96			RK73GB2A222J	CHIP R 2.2K J 1/10W	
R97			RK73GB2A473J	CHIP R 47K J 1/10W	
R98			RN73GH1J243D	CHIP R 24K D 1/16W	
R99			RN73GH1J472D	CHIP R 4.7K D 1/16W	
R100			RN73GH1J104D	CHIP R 100K D 1/16W	
R101			RN73GH1J513D	CHIP R 51K D 1/16W	

E5 : KVT-627DVD E6 : KVT-627DVDY (Europe)

K1 : KVT-717DVD (North America)

X2 : KVT-747DVD (Australia) R1 : KVT-747DVD (Latin America)

C1 : KVT-767DVD (China) M2 : KVT-737DVD (Other Areas)

△ Indicates safety critical components.

# PARTS LIST

## VIDEO CONTROL UNIT (X14-957/958x-xx)

Ref. No.	Add	New	Parts No.	Description	Destination	Ref. No.	Add	New	Parts No.	Description	Destination
R102			RN73GH1J393D	CHIP R 39K D 1/16W		R180			RK73GB2A392J	CHIP R 3.9K J 1/10W	
R103			RK73GB2A122J	CHIP R 1.2K J 1/10W		R181			RK73GB2A222J	CHIP R 2.2K J 1/10W	
R104			RN73GH1J393D	CHIP R 39K D 1/16W		R182			RK73GB2A153J	CHIP R 15K J 1/10W	
R105			RN73GH1J333D	CHIP R 33K D 1/16W		R183			RK73GB2A104J	CHIP R 100K J 1/10W	
R106			RN73GH1J393D	CHIP R 39K D 1/16W		R184			RK73GB2A303J	CHIP R 30K J 1/10W	
R107			RK73GB2A103J	CHIP R 10K J 1/10W		R185			RK73EB2E472J	CHIP R 4.7K J 1/4W	
R109			RK73GB2A103J	CHIP R 10K J 1/10W		R186			RK73GB2A104J	CHIP R 100K J 1/10W	
R110		*	RK73GH2A334D	CHIP R 330K D 1/10W		R187			RK73EB2E223J	CHIP R 22K J 1/4W	
R111			RK73GB2A562J	CHIP R 5.6K J 1/10W		R188			RK73GB2A104J	CHIP R 100K J 1/10W	
R112		*	RK73GH2A334D	CHIP R 330K D 1/10W		R189			RN73GH1J243D	CHIP R 24K D 1/16W	
R113			RK73GB2A224J	CHIP R 220K J 1/10W		R190			RN73GH1J133D	CHIP R 13K D 1/16W	
R114		*	RN73GH1J113D	CHIP R 11K D 1/16W		R191			RK73GB2A104J	CHIP R 100K J 1/10W	
R115			R92-5088-05	CHIP R 3.3K J 3/4W		R192,193			RK73GB2A100J	CHIP R 10 J 1/10W	
R116			RK73GB2A912J	CHIP R 9.1K J 1/10W		R195			RK73EB2E331J	CHIP R 330 J 1/4W	
R117			RK73GB2A153J	CHIP R 15K J 1/10W		R196			RN73GH1J243D	CHIP R 24K D 1/16W	
R118			RK73FB2B123J	CHIP R 12K J 1/8W		R197			RN73GH1J133D	CHIP R 13K D 1/16W	
R119			RN73GH1J104D	CHIP R 100K D 1/16W		R198			RK73GB2A104J	CHIP R 100K J 1/10W	
R120			RN73GH1J683D	CHIP R 68K D 1/16W		R199			RK73EB2E331J	CHIP R 330 J 1/4W	
R121			RK73GB2A473J	CHIP R 47K J 1/10W		R201			RK73GB2A103J	CHIP R 10K J 1/10W	K1E5E6
R122-124			RK73GB2A104J	CHIP R 100K J 1/10W		R201			RK73GB2A103J	CHIP R 10K J 1/10W	M2
R125-127			RK73GB2A224J	CHIP R 220K J 1/10W		R201,202			RK73GB2A103J	CHIP R 10K J 1/10W	R1X2C1
R128			RK73EB2E102J	CHIP R 1.0K J 1/4W		R203			RK73GB2A103J	CHIP R 10K J 1/10W	K1
R129			RK73GB2A473J	CHIP R 47K J 1/10W		R203,204			RK73GB2A103J	CHIP R 10K J 1/10W	E5E6M2
R137			RK73GB2A473J	CHIP R 47K J 1/10W		R204			RK73GB2A103J	CHIP R 10K J 1/10W	R1
R140			RK73GB2A101J	CHIP R 100 J 1/10W		R205			RK73GB2A103J	CHIP R 10K J 1/10W	X2C1
R143			RK73GB2A100J	CHIP R 10 J 1/10W		R205,206			RK73GB2A103J	CHIP R 10K J 1/10W	K1
R146,147			RK73GB2A100J	CHIP R 10 J 1/10W		R206			RK73GB2A103J	CHIP R 10K J 1/10W	R1M2
R148			RN73GH1J133D	CHIP R 13K D 1/16W		R207			RK73GB2A103J	CHIP R 10K J 1/10W	C1
R149			RN73GH1J103D	CHIP R 10K D 1/16W		R207			RK73GB2A103J	CHIP R 10K J 1/10W	E5E6X2
R150			RN73GH1J132D	CHIP R 1.3K D 1/16W		R211,212			RK73GB2A103J	CHIP R 10K J 1/10W	
R151			RN73GH1J473D	CHIP R 47K D 1/16W		R217,218			RK73GB2A473J	CHIP R 47K J 1/10W	
R152			RN73GH1J153D	CHIP R 15K D 1/16W		R219			RK73GB2A333J	CHIP R 33K J 1/10W	
R153		*	RN73GH1J163D	CHIP R 16K D 1/16W		R220-224			RK73GB2A473J	CHIP R 47K J 1/10W	
R154			RN73GH1J302D	CHIP R 3.0K D 1/16W		R225			RK73GB2A104J	CHIP R 100K J 1/10W	
R155			RN73GH1J132D	CHIP R 1.3K D 1/16W		R226			RK73GB2A103J	CHIP R 10K J 1/10W	
R156			RN73GH1J683D	CHIP R 68K D 1/16W		R227			RK73GB2A104J	CHIP R 100K J 1/10W	
R157			RN73GH1J393D	CHIP R 39K D 1/16W		R229			RK73GB2A471J	CHIP R 470 J 1/10W	
R158			RN73GH1J4021D	CHIP R 4.02K D 1/16W		R230,231			RK73GB2A101J	CHIP R 100 J 1/10W	
R159			RN73GH1J103D	CHIP R 10K D 1/16W		R232			RK73GB2A102J	CHIP R 1.0K J 1/10W	
R160			RN73GH1J512D	CHIP R 5.1K D 1/16W		R233			RK73GB2A104J	CHIP R 100K J 1/10W	
R161			R92-3475-05	CHIP R 0.27 F 1/2W		R234,235			RK73GB2A101J	CHIP R 100 J 1/10W	
R162			RK73GB2A104J	CHIP R 100K J 1/10W		R236			RK73GB2A514J	CHIP R 510K J 1/10W	
R163			RN73GH1J243D	CHIP R 24K D 1/16W		R237-241			RK73GB2A102J	CHIP R 1.0K J 1/10W	
R164			RK73GB2A102J	CHIP R 1.0K J 1/10W		R242			RK73GB2A473J	CHIP R 47K J 1/10W	
R165			RK73GB2A473J	CHIP R 47K J 1/10W		R244			RK73GB2A473J	CHIP R 47K J 1/10W	
R167			RK73GB2A224J	CHIP R 220K J 1/10W		R245			RK73GB2A123J	CHIP R 12K J 1/10W	
R168			RK73GB2A102J	CHIP R 1.0K J 1/10W		R246			RK73GB2A102J	CHIP R 1.0K J 1/10W	
R169			RK73GB2A223J	CHIP R 22K J 1/10W		R247			RK73GB2A473J	CHIP R 47K J 1/10W	
R170			RK73GB2A103J	CHIP R 10K J 1/10W		R248,249			RK73GB2A123J	CHIP R 12K J 1/10W	
R171			RK73GB2A563J	CHIP R 56K J 1/10W		R250-253			RK73GB2A104J	CHIP R 100K J 1/10W	
R172			RK73GB2A102J	CHIP R 1.0K J 1/10W		R254			RK73GB2A123J	CHIP R 12K J 1/10W	
R174		*	RN73GH1J114D	CHIP R 110K D 1/16W		R255			RK73GB2A222J	CHIP R 2.2K J 1/10W	
R176		*	RN73GH1J114D	CHIP R 110K D 1/16W		R256		*	RN73GH1J163D	CHIP R 16K D 1/16W	
R178		*	RN73GH1J114D	CHIP R 110K D 1/16W		R257			RN73GH1J102D	CHIP R 1.0K D 1/16W	
R179			RN73GH1J133D	CHIP R 13K D 1/16W		R258			RN73GH1J333D	CHIP R 33K D 1/16W	

E5 : KVT-627DVD E6 : KVT-627DVDY (Europe)

K1 : KVT-717DVD (North America)

X2 : KVT-747DVD (Australia) R1 : KVT-747DVD (Latin America)

C1 : KVT-767DVD (China) M2 : KVT-737DVD (Other Areas)

△ Indicates safety critical components.

# PARTS LIST

## VIDEO CONTROL UNIT (X14-957/958x-xx)

Ref. No.	A d d	N e w	Parts No.	Description	Desti- nation
R259			RK73GB2A153J	CHIP R 15K J 1/10W	
R260		*	RN73GH1J163D	CHIP R 16K D 1/16W	
R261			RN73GH1J102D	CHIP R 1.0K D 1/16W	
R262			RN73GH1J333D	CHIP R 33K D 1/16W	
R263			RK73GB2A100J	CHIP R 10 J 1/10W	
R264			RK73GB2A104J	CHIP R 100K J 1/10W	
R265			RK73GB2A100J	CHIP R 10 J 1/10W	
R266			RK73GB2A104J	CHIP R 100K J 1/10W	
R267			RK73GB2A912J	CHIP R 9.1K J 1/10W	
R268			RK73GB2A112J	CHIP R 1.1K J 1/10W	
R269			RK73GB2A105J	CHIP R 1.0M J 1/10W	
R270			RN73GH1J473D	CHIP R 47K D 1/16W	
R271			RN73GH1J392D	CHIP R 3.9K D 1/16W	
R272			RK73GB2A151J	CHIP R 150 J 1/10W	
R273,274			RK73GB2A105J	CHIP R 1.0M J 1/10W	
R275			RK73GB2A104J	CHIP R 100K J 1/10W	
R276			RK73GB2A203J	CHIP R 20K J 1/10W	
R279,280			RK73GB2A101J	CHIP R 100 J 1/10W	
R281			RK73GB2A104J	CHIP R 100K J 1/10W	
R300			RK73GB2A471J	CHIP R 470 J 1/10W	
R301			RK73GB2A103J	CHIP R 10K J 1/10W	E5E6M2
R301			RK73GB2A103J	CHIP R 10K J 1/10W	X2C1
R302			RK73GB2A152J	CHIP R 1.5K J 1/10W	
R303			RK73GB2A752J	CHIP R 7.5K J 1/10W	
R304,305			RK73GB2A101J	CHIP R 100 J 1/10W	
R306			RK73GB2A103J	CHIP R 10K J 1/10W	
R307			RK73GB2A682J	CHIP R 6.8K J 1/10W	
R308			RK73GB2A105J	CHIP R 1.0M J 1/10W	
R309-312			RK73GB2A101J	CHIP R 100 J 1/10W	
R313			RK73GB2A473J	CHIP R 47K J 1/10W	
R314			RK73GB2A101J	CHIP R 100 J 1/10W	
R316			RK73GB2A101J	CHIP R 100 J 1/10W	
R318			RK73GB2A101J	CHIP R 100 J 1/10W	
R320			RK73GB2A101J	CHIP R 100 J 1/10W	
R321			RK73GB2A102J	CHIP R 1.0K J 1/10W	
R360,361			RK73GB2A303J	CHIP R 30K J 1/10W	
R362			RK73GB2A472J	CHIP R 4.7K J 1/10W	
R363			RK73GB2A202J	CHIP R 2.0K J 1/10W	
R364			RK73GB2A361J	CHIP R 360 J 1/10W	
R365			RK73GB2A914J	CHIP R 910K J 1/10W	
R366,367			RK73GB2A471J	CHIP R 470 J 1/10W	
R368			RK73GB2A102J	CHIP R 1.0K J 1/10W	
R369			RK73GB2A470J	CHIP R 47 J 1/10W	
R370			RK73GB2A302J	CHIP R 3.0K J 1/10W	
R371			RN73GH1J182D	CHIP R 1.8K D 1/16W	
R372			RN73GH1J471D	CHIP R 470 D 1/16W	
R374			RK73GB2A471J	CHIP R 470 J 1/10W	
R375			RK73GB2A101J	CHIP R 100 J 1/10W	
R377			RK73GB2A103J	CHIP R 10K J 1/10W	
R380-383			RK73GB2A101J	CHIP R 100 J 1/10W	
R385			RK73GB2A471J	CHIP R 470 J 1/10W	
R386			RK73GB2A102J	CHIP R 1.0K J 1/10W	
R387			RN73GH1J473D	CHIP R 47K D 1/16W	
R388			RK73GB2A471J	CHIP R 470 J 1/10W	
R389			RK73GB2A272J	CHIP R 2.7K J 1/10W	

Ref. No.	A d d	N e w	Parts No.	Description	Desti- nation
R391		*	RN73GH1J203D	CHIP R 20K D 1/16W	
R392			RK73GB2A332J	CHIP R 3.3K J 1/10W	
R393			RK73GB2A104J	CHIP R 100K J 1/10W	
R394			RN73GH1J303D	CHIP R 30K D 1/16W	
R400			RK73GB2A103J	CHIP R 10K J 1/10W	
R401			RK73GB2A680J	CHIP R 68 J 1/10W	
R402			RK73GB2A152J	CHIP R 1.5K J 1/10W	
R403			RK73GB2A101J	CHIP R 100 J 1/10W	
R404			RK73GB2A472J	CHIP R 4.7K J 1/10W	
R405			RK73GB2A272J	CHIP R 2.7K J 1/10W	
R406			RK73GB2A101J	CHIP R 100 J 1/10W	
R407			RK73GB2A272J	CHIP R 2.7K J 1/10W	
R408			RK73GB2A101J	CHIP R 100 J 1/10W	
R409			RK73GB2A272J	CHIP R 2.7K J 1/10W	
R410,411			RK73GB2A104J	CHIP R 100K J 1/10W	
R412			RK73GB2A102J	CHIP R 1.0K J 1/10W	
R413			RK73GB2A472J	CHIP R 4.7K J 1/10W	
R415-417			RK73GB2A201J	CHIP R 200 J 1/10W	
R419			RK73GB2A101J	CHIP R 100 J 1/10W	
R420,421			RK73GB2A153J	CHIP R 15K J 1/10W	
R422,423			RK73GB2A561J	CHIP R 560 J 1/10W	
R424			RK73GB2A102J	CHIP R 1.0K J 1/10W	
R427			RK73GB2A470J	CHIP R 47 J 1/10W	
R500			RK73GB2A302J	CHIP R 3.0K J 1/10W	
R501			RK73GB2A330J	CHIP R 33 J 1/10W	
R502			RK73GB2A103J	CHIP R 10K J 1/10W	
R503			RK73GB2A820J	CHIP R 82 J 1/10W	
R504,505			RK73GB2A220J	CHIP R 22 J 1/10W	
R506,507			RK73GB2A820J	CHIP R 82 J 1/10W	
R508			RK73GB2A471J	CHIP R 470 J 1/10W	
R509			RK73GB2A102J	CHIP R 1.0K J 1/10W	
R520			RK73GB2A472J	CHIP R 4.7K J 1/10W	
R522-528			RK73GB2A103J	CHIP R 10K J 1/10W	
R529			RK73GB2A472J	CHIP R 4.7K J 1/10W	
R540,541			RK73GB2A330J	CHIP R 33 J 1/10W	
R542			RK73GB2A105J	CHIP R 1.0M J 1/10W	
R544			RK73GB2A102J	CHIP R 1.0K J 1/10W	
R560			RK73GB2A101J	CHIP R 100 J 1/10W	
R601-603			RK73GB2A472J	CHIP R 4.7K J 1/10W	
R604			RK73GB2A470J	CHIP R 47 J 1/10W	
R605-610			RK73GB2A101J	CHIP R 100 J 1/10W	
R611			RK73GB2A102J	CHIP R 1.0K J 1/10W	
R612,613			RK73GB2A101J	CHIP R 100 J 1/10W	
R614			RK73GB2A330J	CHIP R 33 J 1/10W	
R615-617			RK73GB2A472J	CHIP R 4.7K J 1/10W	
R618,619			RK73GB2A220J	CHIP R 22 J 1/10W	
R620-622			RK73GB2A472J	CHIP R 4.7K J 1/10W	
R625-627			RK73GB2A472J	CHIP R 4.7K J 1/10W	
R629			RK73GB2A101J	CHIP R 100 J 1/10W	
R651-654			RK73GB2A102J	CHIP R 1.0K J 1/10W	
R655			RK73EB2E750J	CHIP R 75 J 1/4W	
R656			RK73GB2A511J	CHIP R 510 J 1/10W	
R657			RK73GB2A152J	CHIP R 1.5K J 1/10W	
R658,659			RK73GB2A102J	CHIP R 1.0K J 1/10W	
R660			RK73GB2A103J	CHIP R 10K J 1/10W	

E5 : KVT-627DVD E6 : KVT-627DVDY (Europe)  
K1 : KVT-717DVD (North America)  
X2 : KVT-747DVD (Australia) R1 : KVT-747DVD (Latin America)  
C1 : KVT-767DVD (China) M2 : KVT-737DVD (Other Areas)

△ Indicates safety critical components.

# PARTS LIST

## VIDEO CONTROL UNIT (X14-957/958x-xx)

Ref. No.	Add	New	Parts No.	Description	Destination	Ref. No.	Add	New	Parts No.	Description	Destination
R661,662			RK73GB2A472J	CHIP R 4.7K J 1/10W		R928			RK73GB2A472J	CHIP R 4.7K J 1/10W	K1R1M2
R663,664			RK73GB2A101J	CHIP R 100 J 1/10W		R928			RK73GB2A472J	CHIP R 4.7K J 1/10W	X2C1
R665-668			RN73GH1J750D	CHIP R 75 D 1/16W		R961			RK73EB2E151J	CHIP R 150 J 1/4W	
R669			RN73GH1J151D	CHIP R 150 D 1/16W		R962			RK73EB2E150J	CHIP R 15 J 1/4W	
R670			RK73GB2A103J	CHIP R 10K J 1/10W		VR361	*		R32-0327-05	SEMI FIXED VARIABLE RESISTOR	
R671,672			RK73GB2A104J	CHIP R 100K J 1/10W		W100,101			R92-1252-05	CHIP R 0 OHM J 1/16W	
R673			RN73GH1J151D	CHIP R 150 D 1/16W		W103			R92-1252-05	CHIP R 0 OHM J 1/16W	
R675			RK73GB2A103J	CHIP R 10K J 1/10W		W111-117			R92-1252-05	CHIP R 0 OHM J 1/16W	
R676			RK73GB2A101J	CHIP R 100 J 1/10W		W121,122			R92-1252-05	CHIP R 0 OHM J 1/16W	
R678			RK73GB2A472J	CHIP R 4.7K J 1/10W		W183			R92-1252-05	CHIP R 0 OHM J 1/16W	
R682			RK73GB2A472J	CHIP R 4.7K J 1/10W		W201-203			R92-1252-05	CHIP R 0 OHM J 1/16W	
R683-687			RK73GB2A102J	CHIP R 1.0K J 1/10W		W205			R92-1252-05	CHIP R 0 OHM J 1/16W	
R701,702			RK73GB2A472J	CHIP R 4.7K J 1/10W		W301			R92-1252-05	CHIP R 0 OHM J 1/16W	
R703			RK73GB2A302J	CHIP R 3.0K J 1/10W		W304			R92-1252-05	CHIP R 0 OHM J 1/16W	
R704,705			RK73GB2A201J	CHIP R 200 J 1/10W		W311-313			R92-1252-05	CHIP R 0 OHM J 1/16W	
R706			RK73GB2A302J	CHIP R 3.0K J 1/10W		W360			R92-1252-05	CHIP R 0 OHM J 1/16W	
R707			RK73GB2A471J	CHIP R 470 J 1/10W		W365			R92-1252-05	CHIP R 0 OHM J 1/16W	
R708			RK73GB2A182J	CHIP R 1.8K J 1/10W		W401			R92-1252-05	CHIP R 0 OHM J 1/16W	
R709			RK73GB2A100J	CHIP R 10 J 1/10W		W403			R92-1252-05	CHIP R 0 OHM J 1/16W	
R710,711			RK73GB2A472J	CHIP R 4.7K J 1/10W		W405			R92-1252-05	CHIP R 0 OHM J 1/16W	
R712			RK73GB2A302J	CHIP R 3.0K J 1/10W		W408-415			R92-1252-05	CHIP R 0 OHM J 1/16W	
R713,714			RK73GB2A201J	CHIP R 200 J 1/10W		W501			R92-1252-05	CHIP R 0 OHM J 1/16W	
R715			RK73GB2A302J	CHIP R 3.0K J 1/10W		W522			R92-1252-05	CHIP R 0 OHM J 1/16W	
R716			RK73GB2A471J	CHIP R 470 J 1/10W		W581			R92-1252-05	CHIP R 0 OHM J 1/16W	
R717			RK73GB2A182J	CHIP R 1.8K J 1/10W		W601			R92-1252-05	CHIP R 0 OHM J 1/16W	
R718			RK73GB2A100J	CHIP R 10 J 1/10W		W604			R92-1252-05	CHIP R 0 OHM J 1/16W	
R719			RK73GB2A682J	CHIP R 6.8K J 1/10W		W606-609			R92-1252-05	CHIP R 0 OHM J 1/16W	
R720			RK73GB2A222J	CHIP R 2.2K J 1/10W		W650			R92-1252-05	CHIP R 0 OHM J 1/16W	
R721			RK73GB2A392J	CHIP R 3.9K J 1/10W		W652			R92-1252-05	CHIP R 0 OHM J 1/16W	
R722			RK73GB2A102J	CHIP R 1.0K J 1/10W		W654			R92-1252-05	CHIP R 0 OHM J 1/16W	
R723,724			RK73GB2A223J	CHIP R 22K J 1/10W		W658			R92-1252-05	CHIP R 0 OHM J 1/16W	
R725			RK73GB2A103J	CHIP R 10K J 1/10W		W660			R92-1252-05	CHIP R 0 OHM J 1/16W	
R751			RK73GB2A151J	CHIP R 150 J 1/10W		W662,663			R92-1252-05	CHIP R 0 OHM J 1/16W	
R770			RK73GB2A103J	CHIP R 10K J 1/10W		W701			R92-1252-05	CHIP R 0 OHM J 1/16W	
R771			RK73GB2A222J	CHIP R 2.2K J 1/10W		W750			R92-1252-05	CHIP R 0 OHM J 1/16W	
R772-774			RK73GB2A472J	CHIP R 4.7K J 1/10W		W770			R92-1252-05	CHIP R 0 OHM J 1/16W	
R776			RK73GB2A472J	CHIP R 4.7K J 1/10W		W772-776			R92-1252-05	CHIP R 0 OHM J 1/16W	
R777			RK73GB2A102J	CHIP R 1.0K J 1/10W		W850			R92-1252-05	CHIP R 0 OHM J 1/16W	K1R1M2
R802,803			RK73EB2E102J	CHIP R 1.0K J 1/4W		W850			R92-1252-05	CHIP R 0 OHM J 1/16W	X2
R805-810			RK73EB2E101J	CHIP R 100 J 1/4W		W850-854			R92-1252-05	CHIP R 0 OHM J 1/16W	E5E6C1
R811-814			RK73GB2A750J	CHIP R 75 J 1/10W		W852			R92-1252-05	CHIP R 0 OHM J 1/16W	K1R1M2
R850-866			RK73GB2A101J	CHIP R 100 J 1/10W		W852			R92-1252-05	CHIP R 0 OHM J 1/16W	X2
R867			RK73GB2A102J	CHIP R 1.0K J 1/10W		W854			R92-1252-05	CHIP R 0 OHM J 1/16W	K1R1M2
R900-902			RK73EB2E102J	CHIP R 1.0K J 1/4W		W854			R92-1252-05	CHIP R 0 OHM J 1/16W	X2
R904,905			RK73EB2E100J	CHIP R 10 J 1/4W		W856			RK73FB2B000J	CHIP R 0.0 J 1/8W	
R906-911			RK73EB2E101J	CHIP R 100 J 1/4W		W859-864			R92-1252-05	CHIP R 0 OHM J 1/16W	
R913			RK73EB2E101J	CHIP R 100 J 1/4W		W867			R92-1252-05	CHIP R 0 OHM J 1/16W	E5E6C1
R914			RK73GB2A102J	CHIP R 1.0K J 1/10W	K1R1M2	W869,870			R92-1252-05	CHIP R 0 OHM J 1/16W	
R914			RK73GB2A102J	CHIP R 1.0K J 1/10W	X2C1	W872			R92-1252-05	CHIP R 0 OHM J 1/16W	K1R1M2
R921			RK73GB2A103J	CHIP R 10K J 1/10W	K1R1M2	W872			R92-1252-05	CHIP R 0 OHM J 1/16W	X2
R921			RK73GB2A103J	CHIP R 10K J 1/10W	X2C1	W872-874			R92-1252-05	CHIP R 0 OHM J 1/16W	E5E6C1
R924			RK73GB2A103J	CHIP R 10K J 1/10W		W874			R92-1252-05	CHIP R 0 OHM J 1/16W	K1R1M2
R925			RN73GH1J123D	CHIP R 12K D 1/16W		W874			R92-1252-05	CHIP R 0 OHM J 1/16W	X2
R926			RN73GH1J152D	CHIP R 1.5K D 1/16W		W881,882			RK73EB2E000J	CHIP R 0.0 J 1/4W	
R927			RN73GH1J243D	CHIP R 24K D 1/16W		W884-886			RK73EB2E000J	CHIP R 0.0 J 1/4W	

E5 : KVT-627DVD E6 : KVT-627DVDY (Europe)  
 K1 : KVT-717DVD (North America)  
 X2 : KVT-747DVD (Australia) R1 : KVT-747DVD (Latin America)  
 C1 : KVT-767DVD (China) M2 : KVT-737DVD (Other Areas)

△ Indicates safety critical components.

# PARTS LIST

## VIDEO CONTROL UNIT (X14-957/958x-xx)

Ref. No.	Add	New	Parts No.	Description	Destination	Ref. No.	Add	New	Parts No.	Description	Destination
W887,888			R92-1252-05	CHIP R 0 OHM J 1/16W	E5E6	IC207			TC74VHCT08AFT	MOS-IC	E5E6M2 X2C1
W889			RK73EB2E000J	CHIP R 0.0 J 1/4W		IC301			TDA4665T-F	ANALOGUE IC	
W893			R92-1252-05	CHIP R 0 OHM J 1/16W		IC301			TDA4665T-F	ANALOGUE IC	
W900			R92-1252-05	CHIP R 0 OHM J 1/16W		IC303			AN2546FH-AV	ANALOGUE IC	
W918			R92-1252-05	CHIP R 0 OHM J 1/16W		IC304			MM1389XFBE-E	ANALOGUE IC	
D100			1SR154-400	DIODE		IC306			TC7SH04FU-F	MOS-IC	
D104			DAN202U	DIODE	IC361	*		TC7W00FU-F	MOS-IC		
D105			UDZS6.8B	ZENER DIODE	IC362			NJW1303V-ZB	ANALOGUE IC		
D106			DAN202U	DIODE	IC363,364	*		TC7W34FU-F	MOS-IC		
D107			UDZS6.2B	ZENER DIODE	IC365			TC7WH123FU-F	MOS-IC		
D108-111			EC31QS04AG	DIODE	IC366			TC7SH04FU-F	MOS-IC		
D113			EC31QS04AG	DIODE	IC400			LC74735NW9817E	MOS-IC		
D114,115			SB05-05CP-E	DIODE	IC401	*		MB29LV8T9T0U1	ROM IC		
D116	*		MA2S784-F	DIODE	IC402			TC74LCX74FT	MOS-IC		
D180,181			DAN202U	DIODE	IC403	*		TC7S02FU-F	MOS-IC		
D300			DAN202U	DIODE	IC404			TC7SH04FU-F	MOS-IC		
D301-303			STZ6.2N	ZENER DIODE	IC405	*		TC7W08FU-F	MOS-IC		
D501,502			DA204U	DIODE	IC406	*		TC7W32FU-F	MOS-IC		
D650			STZ6.2N	ZENER DIODE	IC500	*		PQ070XH02ZPH	ANALOGUE IC		
D701			DAP202U	DIODE	IC520	*		M29LV160T72U5	ROM IC		
D702			DA204U	DIODE	IC540,541			TC7SHU04FU-F	MOS-IC		
D704,705			STZ6.2N	ZENER DIODE	IC560	*		K4S281632FUP75	DRAM IC		
D800			AVRM1608120M6A	VARISTOR	IC601			ES6218SF	MOS-IC		
D801-807			AVRM1608270MAB	VARISTOR	IC650			MM1567AJBE-E	ANALOGUE IC		
D850-856			AVRM1608120M6A	VARISTOR	IC651	*		UPC2905ATAZ	ANALOGUE IC		
D859			AVRM1608120M6A	VARISTOR	IC652	*		ADV7170KSUZ	MOS-IC		
D862			DA204U	DIODE	IC654	*		MM1508XNRE-E	ANALOGUE IC		
D900,901			DA204U	DIODE	IC701			NJM4580V-ZB	ANALOGUE IC		
D902			STZ6.2N	ZENER DIODE	IC702			TA78L05F-F	ANALOGUE IC		
D903			DA204U	DIODE	IC703			AK4382AVT	ANALOGUE IC		
D905			STZ6.2N	ZENER DIODE	IC750	*		TC7SET04FU-F	MOS-IC		
D906			DA204U	DIODE	IC770	*		M43212VNI8R01	MOS-IC		
D907			UDZS6.2B	ZENER DIODE	IC850			TC7SH00FU-F	MOS-IC		
D908			DA204U	DIODE	Q100			DTC144EUA	DIGITAL TRANSISTOR		
D909			AVRM1608120M6A	VARISTOR	Q101			2SC4081	TRANSISTOR		
D910			STZ6.2N	ZENER DIODE	Q102			DTC144EUA	DIGITAL TRANSISTOR		
D911			DA204U	DIODE	Q103			2SA1576A	TRANSISTOR		
D912,913			STZ6.2N	ZENER DIODE	Q104			2SC4081	TRANSISTOR		
D914			UDZS6.2B	ZENER DIODE	Q105			2SA1576A	TRANSISTOR		
D916-922			AVRM1608180M6A	VARISTOR	Q106			HAT1038R-E	FET		
D923			AVRM1608270MAB	VARISTOR	Q107			2SC4081	TRANSISTOR		
D925,926			AVRM1608270MAB	VARISTOR	Q108			DTA124EUA	DIGITAL TRANSISTOR		
D927-929			AVRM1608180M6A	VARISTOR	Q109-111	*		HAT1024R-E	FET		
D931,932			AVRM1608180M6A	VARISTOR	Q112			DTC144EUA	DIGITAL TRANSISTOR		
D960			DA204U	DIODE	Q117			DTC144EUA	DIGITAL TRANSISTOR		
D961			AVRM1608270MAA	VARISTOR	Q120			2SA1576A	TRANSISTOR		
IC100-102	*		FA7707E-H1	ANALOGUE IC	Q121			DTC144EUA	DIGITAL TRANSISTOR		
IC103			TA58L05F	ANALOGUE IC	Q122			2SA1576A	TRANSISTOR		
IC104	*		PQ1X331M2ZPH	ANALOGUE IC	Q123-125			2SC4081	TRANSISTOR		
IC108			SI-3012KM	ANALOGUE IC	Q126			DTA114TUA	DIGITAL TRANSISTOR		
IC200	*		BR24L08FV-W	ROM IC	Q127			DTA114EUA	DIGITAL TRANSISTOR		
IC202,203			LB1836M-TLM-E	ANALOGUE IC	Q128			DTA144EUA	DIGITAL TRANSISTOR		
IC204	*		703265YGJ501A	MICROCONTROLLER IC	Q129			IMX9	TRANSISTOR		
IC205			TC7SH08FU-F	MOS-IC	Q170			DTC144EUA	DIGITAL TRANSISTOR		
IC206			S-80830CNNB-G	MOS-IC	Q172			DTC144EUA	DIGITAL TRANSISTOR		

E5 : KVT-627DVD E6 : KVT-627DVDY (Europe)  
K1 : KVT-717DVD (North America)  
X2 : KVT-747DVD (Australia) R1 : KVT-747DVD (Latin America)  
C1 : KVT-767DVD (China) M2 : KVT-737DVD (Other Areas)

△ Indicates safety critical components.

# PARTS LIST

## VIDEO CONTROL UNIT (X14-957/958x-xx)

Ref. No.	Add	New	Parts No.	Description	Destination
Q175			DTC144EUA	DIGITAL TRANSISTOR	
Q180,181			2SC4081	TRANSISTOR	
Q182			2SA1576A	TRANSISTOR	
Q183			DTC124EUA	DIGITAL TRANSISTOR	
Q184			DTC143EUA	DIGITAL TRANSISTOR	
Q200			DTC144EUA	DIGITAL TRANSISTOR	
Q201			DTB123YK	DIGITAL TRANSISTOR	
Q202			DTC144EUA	DIGITAL TRANSISTOR	
Q203			DTB123YK	DIGITAL TRANSISTOR	
Q204			DTC144EUA	DIGITAL TRANSISTOR	
Q205			DTB123YK	DIGITAL TRANSISTOR	
Q206			DTA144EUA	DIGITAL TRANSISTOR	
Q207			DTC144EUA	DIGITAL TRANSISTOR	
Q208			2SA1576A	TRANSISTOR	
Q209			2SC4081	TRANSISTOR	
Q210			2SA1576A	TRANSISTOR	
Q211			2SC4081	TRANSISTOR	
Q212			2SA1576A	TRANSISTOR	
Q213			2SC4081	TRANSISTOR	
Q214			DTA114TUA	DIGITAL TRANSISTOR	
Q215			2SC4081	TRANSISTOR	
Q216			DTA114TUA	DIGITAL TRANSISTOR	
Q217			2SC4081	TRANSISTOR	
Q218			DTA114TUA	DIGITAL TRANSISTOR	
Q219			DTC114TUA	DIGITAL TRANSISTOR	
Q300			2SA1576A	TRANSISTOR	E5E6M2
Q300			2SA1576A	TRANSISTOR	X2C1
Q301			DTC114TUA	DIGITAL TRANSISTOR	E5E6
Q360			2SC4081	TRANSISTOR	
Q361,362			2SA1576A	TRANSISTOR	
Q363			DTA114EUA	DIGITAL TRANSISTOR	
Q364			DTC144EUA	DIGITAL TRANSISTOR	
Q390			2SC4081	TRANSISTOR	
Q391			2SA1576A	TRANSISTOR	
Q400-402			2SA1576A	TRANSISTOR	
Q404,405			2SC4081	TRANSISTOR	
Q650			DTA114TUA	DIGITAL TRANSISTOR	
Q651,652			DTC144EUA	DIGITAL TRANSISTOR	
Q653			DTC114TUA	DIGITAL TRANSISTOR	
Q701-703			2SC4081	TRANSISTOR	
Q704			DTC114TUA	DIGITAL TRANSISTOR	
Q705,706			DTA114TUA	DIGITAL TRANSISTOR	
Q901			2SB1189	TRANSISTOR	K1R1M2
Q901			2SB1189	TRANSISTOR	X2C1
Q902			2SC4081	TRANSISTOR	K1R1M2
Q902			2SC4081	TRANSISTOR	X2C1
Q904			DTB123YK	DIGITAL TRANSISTOR	
Q905,906			DTC144EUA	DIGITAL TRANSISTOR	
<b>SWITCH UNIT (X16-2380-00): IN DVD MECHA.</b>					
CN1			E41-2036-05	FLAT CABLE CONNECTOR	
S1,2			S68-0863-05	PUSH SWITCH	
<b>SUB-CIRCUIT UNIT (X16-303/304x-xx)</b>					
D101			B30-1658-05	LED (RED, S)	

Ref. No.	Add	New	Parts No.	Description	Destination
D203		*	B30-1713-05	LED (SR, TS)	
D205		*	B30-1740-05	LED (CL-270PG-C-TS)	
D207-209			B30-1564-05	LED (1608, BLUE)	
D221-225			B30-1605-05	LED (2COLOR PG/RED)	
C101			CK73GB1H104K	CHIP C 0.10UF K	
C201			CK73GB1H104K	CHIP C 0.10UF K	K1R1M2
C201			CK73GB1H104K	CHIP C 0.10UF K	X2C1
C202			CK73FB1C105K	CHIP C 1.0UF K	K1R1M2
C202			CK73FB1C105K	CHIP C 1.0UF K	X2C1
C203			CC73GCH1H221J	CHIP C 220PF J	
C204			CK73FB1A225K	CHIP C 2.2UF K	
C205			CK73GB1H104K	CHIP C 0.10UF K	
CN101		*	E41-2366-05	FLAT CABLE CONNECTOR	
CN201		*	E41-2563-05	FLAT CABLE CONNECTOR	K1R1M2
CN201		*	E41-2563-05	FLAT CABLE CONNECTOR	X2C1
J101			E58-1008-05	RECTANGULAR RECEPTACLE	
J201			E59-0843-05	RECTANGULAR PLUG	
R101,102			RK73EB2E101J	CHIP R 100 J 1/4W	
R103-105			RK73EB2E102J	CHIP R 1.0K J 1/4W	
R106			RK73GB2A101J	CHIP R 100 J 1/10W	
R107			RK73EB2E102J	CHIP R 1.0K J 1/4W	
R201			RK73GB2A152J	CHIP R 1.5K J 1/10W	
R202			RK73GB2A181J	CHIP R 180 J 1/10W	
R203			RK73GB2A101J	CHIP R 100 J 1/10W	
R204			RK73GB2A271J	CHIP R 270 J 1/10W	
R205			RK73GB2A272J	CHIP R 2.7K J 1/10W	
R206			RK73GB2A332J	CHIP R 3.3K J 1/10W	
R207			RK73GB2A181J	CHIP R 180 J 1/10W	
R208			RK73GB2A271J	CHIP R 270 J 1/10W	
R209			RK73GB2A472J	CHIP R 4.7K J 1/10W	
R210-212			RK73GB2A101J	CHIP R 100 J 1/10W	K1R1M2
R210-212			RK73GB2A101J	CHIP R 100 J 1/10W	X2C1
R213			RK73EB2E561J	CHIP R 560 J 1/4W	K1R1M2
R213			RK73EB2E561J	CHIP R 560 J 1/4W	X2C1
R214			RK73EB2E101J	CHIP R 100 J 1/4W	
R215			RK73EB2E561J	CHIP R 560 J 1/4W	K1R1M2
R215			RK73EB2E561J	CHIP R 560 J 1/4W	X2C1
R216			RK73GB2A104J	CHIP R 100K J 1/10W	
R217			RK73EB2E101J	CHIP R 100 J 1/4W	
R219			RK73GB2A391J	CHIP R 390 J 1/10W	
R221			RK73EB2E431J	CHIP R 430 J 1/4W	
R222			RK73GB2A391J	CHIP R 390 J 1/10W	K1R1M2
R222			RK73GB2A391J	CHIP R 390 J 1/10W	X2C1
R224			RK73GB2A822J	CHIP R 8.2K J 1/10W	
R225			RK73GB2A153J	CHIP R 15K J 1/10W	
R226			RK73GB2A473J	CHIP R 47K J 1/10W	
R234,235			RK73GB2A222J	CHIP R 2.2K J 1/10W	
R236			RK73GB2A101J	CHIP R 100 J 1/10W	
R237			RK73FB2B431J	CHIP R 430 J 1/8W	
R238			RK73GB2A391J	CHIP R 390 J 1/10W	
R239,240			RK73GB2A101J	CHIP R 100 J 1/10W	
R242-245			RK73GB2A103J	CHIP R 10K J 1/10W	K1R1M2
R242-245			RK73GB2A103J	CHIP R 10K J 1/10W	X2C1

E5 : KVT-627DVD E6 : KVT-627DVDY (Europe)  
 K1 : KVT-717DVD (North America)  
 X2 : KVT-747DVD (Australia) R1 : KVT-747DVD (Latin America)  
 C1 : KVT-767DVD (China) M2 : KVT-737DVD (Other Areas)

△ Indicates safety critical components.

# PARTS LIST

## SUB-CIRCUIT UNIT (X16-303/304x-xx)

Ref. No.	A d d	N e w	Parts No.	Description	Desti- nation
S201-206 S207 S208			S70-0901-05 S70-0874-05 S70-0901-05	TACT SWITCH TACT SWITCH TACT SWITCH	
D102 D103-106 D201 D211-213 D214-216			AVRM1608180M6A AVRM1005270MAA UDZS6.2B DA204U UDZS6.2B	VARISTOR VARISTOR ZENER DIODE DIODE ZENER DIODE	K1R1M2
D214-216 D217 D404-410 D411 D411,412			UDZS6.2B AVRM1608120M6A AVRM1608180M6A DAP202U DAP202U	ZENER DIODE VARISTOR VARISTOR DIODE DIODE	X2C1   E5E6 K1R1M2
D411,412 IC201 Q101 Q204-206 Q204-206			DAP202U RS-181 DTC124EUA 2SA1576A 2SA1576A	DIODE ANALOGUE IC DIGITAL TRANSISTOR TRANSISTOR TRANSISTOR	X2C1   K1R1M2 X2C1
Q206			2SA1576A	TRANSISTOR	E5E6

## ELECTRIC CIRCUIT MODULEX (X16-3130-00) (W02-3386-25)

Ref. No.	A d d	N e w	Parts No.	Description	Desti- nation
CN1 R2		*	E41-2300-05 RK73GB2A273J	FLAT CABLE (19PIN) CHIP R 27K J 1/10W	
R1 VR1			RK73GB2A751J R31-0237-05	CHIP R 750 J 1/10W SEMI FIXED VARIABLE RESISTOR	
S1 S2,S3 S4			S68-0863-05 S68-0871-05 S68-0863-05	PUSH SWITCH PUSH SWITCH PUSH SWITCH	
PH1			T95-0253-05	PHOTO INTERRUPTER	

## ELECTRIC UNIT (X34-353/354x-xx)

Ref. No.	A d d	N e w	Parts No.	Description	Desti- nation
C1 C5 C6 C7 C8			CK73EB1E225K C90-5612-05 CK73GB1H104K CK73FB1C105K CD04BA1H3R3M	CHIP C 2.2UF K ELECTRO 3900UF 16WV CHIP C 0.10UF K CHIP C 1.0UF K ELECTRO 3.3UF 50WV	
C9,10 C51 C52 C55 C56			CK73GB1H103K CK73GB1H473K CD04AS1V100M CD04BJ1E221M CD04BJ1A101M	CHIP C 0.010UF K CHIP C 0.047UF K ELECTRO 10UF 35WV ELECTRO 220UF 25WV ELECTRO 100UF 10WV	
C58 C59 C60-62 C63 C64			CD04AS1C220M CD04BD1C101M CK73EB1E225K CD04BA1C220M CK73EB1E225K	ELECTRO 22UF 16WV ELECTRO 100UF 16WV CHIP C 2.2UF K ELECTRO 22UF 16WV CHIP C 2.2UF K	
C65 C67 C69 C70 C71			CK73FB1C105K CD04AY1A221M CK73FB1C105K CD04AY1A221M CK73GB1H223K	CHIP C 1.0UF K ELECTRO 220UF 10WV CHIP C 1.0UF K ELECTRO 220UF 10WV CHIP C 0.022UF K	
C72 C73,74 C101			CK73GB1H103K CD04BA1E4R7M CK73GB1A105K	CHIP C 0.010UF K ELECTRO 4.7UF 25WV CHIP C 1.0UF K	

Ref. No.	A d d	N e w	Parts No.	Description	Desti- nation
C103 C104 C108-112 C113 C150			CK73GB1A105K CD04AS1C101M C90-6742-05 CK73GB1H103K CD04AS1C470M	CHIP C 1.0UF K ELECTRO 100UF 16WV NP-ELECT 4.7UF 16WV CHIP C 0.010UF K ELECTRO 47UF 16WV	
C151,152 C153 C154,155 C162,163 C164			CK73GB1H152K CD04AS1V100M CK73FB1C105K CD04AS1V100M CK73GB1H103K	CHIP C 1500PF K ELECTRO 10UF 35WV CHIP C 1.0UF K ELECTRO 10UF 35WV CHIP C 0.010UF K	
C165 C166 C167 C168 C169			CD04AS1V100M CK73GB1H104K CK73GB1H103K CD04AT1H010M CD04AS1H010M	ELECTRO 10UF 35WV CHIP C 0.10UF K CHIP C 0.010UF K ELECTRO 1UF 50WV ELECTRO 1UF 50WV	
C170 C171 C172 C173 C174			CD04AS1C470M CD04AS1H010M CK73GB1H102K CD04AS1H4R7M CK73FB1E474K	ELECTRO 47UF 16WV ELECTRO 1UF 50WV CHIP C 1000PF K ELECTRO 4.7UF 50WV CHIP C 0.47UF K	
C175 C176 C177 C178,179 C180,181			CK73GB1H102K CK73FB1E474K CD04AS1C101M CD04AS1H3R3M CK73FB1A225K	CHIP C 1000PF K CHIP C 0.47UF K ELECTRO 100UF 16WV ELECTRO 3.3UF 50WV CHIP C 2.2UF K	
C182-185 C186 C187,188 C200 C201			CC73GCH1H101J CK73FB1C105K CD04AS1H3R3M CD04AS1C220M CD04BJ1H100M	CHIP C 100PF J CHIP C 1.0UF K ELECTRO 3.3UF 50WV ELECTRO 22UF 16WV ELECTRO 10UF 50WV	
C202 C203,204 C205 C206 C207			CK73GB1H103K CD04BJ1H100M CK73GB1H102K CD04BJ1H100M CK73GB1H103K	CHIP C 0.010UF K ELECTRO 10UF 50WV CHIP C 1000PF K ELECTRO 10UF 50WV CHIP C 0.010UF K	
C208 C209-213 C214 C215,216 C217-219			CK73GB1H102K CD04BJ1H100M CK73GB1H103K CK73GB1H102K CD04BJ1H100M	CHIP C 1000PF K ELECTRO 10UF 50WV CHIP C 0.010UF K CHIP C 1000PF K ELECTRO 10UF 50WV	
C220 C221 C222-224 C225 C226			CK73GB1H103K CK73GB1H102K CD04BJ1H100M CK73GB1H103K CK73GB1H102K	CHIP C 0.010UF K CHIP C 1000PF K ELECTRO 10UF 50WV CHIP C 0.010UF K CHIP C 1000PF K	
C227-229 C230 C231 C233 C234			CD04BJ1H100M CK73GB1H103K CD04AS1C220M CD04AS1V100M CK73GB1H222K	ELECTRO 10UF 50WV CHIP C 0.010UF K ELECTRO 22UF 16WV ELECTRO 10UF 35WV CHIP C 2200PF K	
C235,236 C237 C238 C239 C240			CK73GB1H102K CK73GB1H222K CD04AS1V100M CD04AS0J101M CD04AS1H4R7M	CHIP C 1000PF K CHIP C 2200PF K ELECTRO 10UF 35WV ELECTRO 100UF 6.3WV ELECTRO 4.7UF 50WV	K1 K1

E5 : KVT-627DVD E6 : KVT-627DVDY (Europe)  
K1 : KVT-717DVD (North America)  
X2 : KVT-747DVD (Australia) R1 : KVT-747DVD (Latin America)  
C1 : KVT-767DVD (China) M2 : KVT-737DVD (Other Areas)

△ Indicates safety critical components.

# PARTS LIST

## ELECTRIC UNIT (X34-353/354x-xx)

Ref. No.	Add	New	Parts No.	Description	Destination	Ref. No.	Add	New	Parts No.	Description	Destination
C241			CD04AS1C220M	ELECTRO 22UF 16WV	K1	C428			CK73GB1H104K	CHIP C 0.10UF K	
C242			CK73GB1H103K	CHIP C 0.010UF K	K1	C429-431			CK73GB1A105K	CHIP C 1.0UF K	
C243			CD04AS1H4R7M	ELECTRO 4.7UF 50WV	K1	C432			CD04BJ0J331M	ELECTRO 330UF 6.3WV	
C244			CD04AS0J101M	ELECTRO 100UF 6.3WV		C433			CK73GB1H104K	CHIP C 0.10UF K	
C245			CD04AS1H4R7M	ELECTRO 4.7UF 50WV		C434-436			CK73GB0J225K	CHIP C 2.2UF K	
C246			CD04AS1C220M	ELECTRO 22UF 16WV		C437			CD04BJ1C471M	ELECTRO 470UF 16WV	
C247			CK73GB1H103K	CHIP C 0.010UF K		C438			CK73GB1H104K	CHIP C 0.10UF K	
C248			CD04AS1H4R7M	ELECTRO 4.7UF 50WV		C442			CD04AS1V100M	ELECTRO 10UF 35WV	
C251,252			CC73GCH1H100D	CHIP C 10PF D	E6M2	C448,449			CK73GB1H103K	CHIP C 0.010UF K	
C251,252			CC73GCH1H100D	CHIP C 10PF D	K1R1E5	C450-452			CD04AY1H220M	ELECTRO 22UF 50WV	
C255			CD04AS1V100M	ELECTRO 10UF 35WV	E6M2	C454,455			CK73GB1A105K	CHIP C 1.0UF K	
C255			CD04AS1V100M	ELECTRO 10UF 35WV	K1R1E5	C457,458			CK73GB1A105K	CHIP C 1.0UF K	K1
C256			CC73GCH1H331J	CHIP C 330PF J	E6M2	C458			CK73GB1A105K	CHIP C 1.0UF K	M2X2C1
C256			CC73GCH1H331J	CHIP C 330PF J	K1R1E5	C458			CK73GB1A105K	CHIP C 1.0UF K	R1E5E6
C257			CD04AS1V100M	ELECTRO 10UF 35WV	E6M2	C461-463			CK73GB1H104K	CHIP C 0.10UF K	K1
C257			CD04AS1V100M	ELECTRO 10UF 35WV	K1R1E5	C462,463			CK73GB1H104K	CHIP C 0.10UF K	M2X2C1
C258			CK73GB1H103K	CHIP C 0.010UF K	E6M2	C462,463			CK73GB1H104K	CHIP C 0.10UF K	R1E5E6
C258			CK73GB1H103K	CHIP C 0.010UF K	K1R1E5	C500			CK73GB1H103K	CHIP C 0.010UF K	
C267-270			CK73GB1H103K	CHIP C 0.010UF K		C501,502			CD04AS1H4R7M	ELECTRO 4.7UF 50WV	
C274			CK73FB1A225K	CHIP C 2.2UF K		C503			CD04AS0J101M	ELECTRO 100UF 6.3WV	
C275,276			CD04AW1HR47M	ELECTRO 0.47UF 50WV		C504			CD04AS1C220M	ELECTRO 22UF 16WV	
C300			CK73GB1H103K	CHIP C 0.010UF K		C505			CD04AS1V100M	ELECTRO 10UF 35WV	
C301,302			CK73GB1H104K	CHIP C 0.10UF K		C506,507			CK73GB1H104K	CHIP C 0.10UF K	
C303			CK73GB1H103K	CHIP C 0.010UF K		C508			CD04AS0J470M	ELECTRO 47UF 6.3WV	
C304			CK73GB1A105K	CHIP C 1.0UF K		C509-511			CD04AS1H4R7M	ELECTRO 4.7UF 50WV	
C308			CD04BJ0J331M	ELECTRO 330UF 6.3WV		C512			CD04AS0J470M	ELECTRO 47UF 6.3WV	
C309			CK73GB1H103K	CHIP C 0.010UF K		C513			CD04AS1H4R7M	ELECTRO 4.7UF 50WV	
C310			CK73GB1H102K	CHIP C 1000PF K		C514			CD04AS0J470M	ELECTRO 47UF 6.3WV	
C400,401			CK73GB1A105K	CHIP C 1.0UF K	E5E6	C515,516			CD04AS1H4R7M	ELECTRO 4.7UF 50WV	
C401			CK73GB1A105K	CHIP C 1.0UF K	K1R1M2	C520			CK73GB1H103K	CHIP C 0.010UF K	
C401			CK73GB1A105K	CHIP C 1.0UF K	X2C1	C521			CD04AS1V100M	ELECTRO 10UF 35WV	
C403			CD04BJ1A221M	ELECTRO 220UF 10WV		C522			CD04AS0J470M	ELECTRO 47UF 6.3WV	
C404			CK73GB1H104K	CHIP C 0.10UF K		C523,524			CK73GB1H103K	CHIP C 0.010UF K	
C405,406			CK73GB1A105K	CHIP C 1.0UF K	E5E6	C803			CK73GB1H103K	CHIP C 0.010UF K	M2X2C1
C406			CK73GB1A105K	CHIP C 1.0UF K	K1R1M2	C803			CK73GB1H103K	CHIP C 0.010UF K	R1E5E6
C406			CK73GB1A105K	CHIP C 1.0UF K	X2C1	C803,804			CK73GB1H103K	CHIP C 0.010UF K	K1
C408			CD04BJ1A221M	ELECTRO 220UF 10WV		CN1	*		E41-2550-05	PIN ASSY	
C409			CK73GB1H104K	CHIP C 0.10UF K		CN250,251	*		E41-2383-05	PIN ASSY	
C410,411			CK73GB1A105K	CHIP C 1.0UF K	E5E6	CN252,253	*		E40-9423-05	SOCKET FOR PIN ASSY	
C411			CK73GB1A105K	CHIP C 1.0UF K	K1R1M2	J1	*		E58-0991-05	RECTANGULAR RECEPTACLE	
C411			CK73GB1A105K	CHIP C 1.0UF K	X2C1	J200	*		E63-0932-05	PIN JACK	
C413			CD04BJ1A221M	ELECTRO 220UF 10WV		J201	*		E63-0917-05	PIN JACK	K1
C414			CK73GB1H104K	CHIP C 0.10UF K		J201	*		E63-0919-05	PIN JACK	M2X2C1
C415			CK73GB1H103K	CHIP C 0.010UF K		J201	*		E63-0919-05	PIN JACK	R1E5E6
C416			CK73GB1H561K	CHIP C 560PF K		J202	*		E63-0933-05	PIN JACK	
C417			CK73GB1A105K	CHIP C 1.0UF K		J250	*		E04-0326-05	RF COAXIAL CABLE RECEPTACLE	
C418			CK73GB1H561K	CHIP C 560PF K		J500	*		E56-0856-05	CYLINDRICAL RECEPTACLE	
C419			CK73GB1H103K	CHIP C 0.010UF K		J501	*		E58-0963-05	RECTANGULAR RECEPTACLE	
C420,421			CK73GB1H104K	CHIP C 0.10UF K		J502	*		E58-1034-05	RECTANGULAR RECEPTACLE	
C422			CK73GB1H103K	CHIP C 0.010UF K		J503	*		E56-0868-05	CYLINDRICAL RECEPTACLE	
C423			CD04AS1C220M	ELECTRO 22UF 16WV		L1			L33-1063-25	CHOKE COIL	
C424			CD04AS1V100M	ELECTRO 10UF 35WV		L50			L41-2205-33	SMALL FIXED INDUCTOR (22U)	
C425			CK73GB1A105K	CHIP C 1.0UF K	M2X2C1	L150			L41-4795-33	SMALL FIXED INDUCTOR (4.7U)	
C425			CK73GB1A105K	CHIP C 1.0UF K	R1E5E6	L250			L41-4795-33	SMALL FIXED INDUCTOR (4.7U)	E6M2
C425,426			CK73GB1A105K	CHIP C 1.0UF K	K1						

E5 : KVT-627DVD E6 : KVT-627DVDY (Europe)  
 K1 : KVT-717DVD (North America)  
 X2 : KVT-747DVD (Australia) R1 : KVT-747DVD (Latin America)  
 C1 : KVT-767DVD (China) M2 : KVT-737DVD (Other Areas)

△ Indicates safety critical components.

# PARTS LIST

## ELECTRIC UNIT (X34-353/354x-xx)

Ref. No.	A d d	N e w	Parts No.	Description	Desti- nation
L250			L41-4795-33	SMALL FIXED INDUCTOR (4.7U)	K1R1E5
L252			L41-4795-33	SMALL FIXED INDUCTOR (4.7U)	
L254			L41-4795-33	SMALL FIXED INDUCTOR (4.7U)	
L255			L33-1977-05	CHOKE COIL	
L300			L41-1005-33	SMALL FIXED INDUCTOR (10U)	
L400-402			L41-1005-33	SMALL FIXED INDUCTOR (10U)	
X250			L77-2002-05	CRYSTAL RESONATOR	E6M2
X250			L77-2002-05	CRYSTAL RESONATOR	K1R1E5
X300			L78-0892-05	RESONATOR (19M)	
S	2H		N09-6135-05	TAPTITE SCREW (3X8 B)	
T	2H	*	N35-3020-48	BINDING HEAD MACHINE SCREW	
R1			RK73GB2A222J	CHIP R 2.2K J 1/10W	
R2			RK73GB2A332J	CHIP R 3.3K J 1/10W	
R3			RK73GB2A272J	CHIP R 2.7K J 1/10W	
R4			RK73GB2A123J	CHIP R 12K J 1/10W	
R5			RK73GB2A103J	CHIP R 10K J 1/10W	
R6			RK73EB2E102J	CHIP R 1.0K J 1/4W	
R7			RK73EB2E103J	CHIP R 10K J 1/4W	
R10,11			RK73PB2H102J	CHIP R 1.0K J 1/2W	
R12			RK73GB2A223J	CHIP R 22K J 1/10W	
R13,14			RK73FB2B472J	CHIP R 4.7K J 1/8W	
R15			RK73SB3A561J	CHIP R 560 J 1W	K1R1M2
R15			RK73SB3A561J	CHIP R 560 J 1W	X2C1
R16,17			RK73GB2A223J	CHIP R 22K J 1/10W	K1R1M2
R16,17			RK73GB2A223J	CHIP R 22K J 1/10W	X2C1
R17			RK73GB2A223J	CHIP R 22K J 1/10W	E5E6
R18			RK73GB2A103J	CHIP R 10K J 1/10W	
R19			RK73GB2A104J	CHIP R 100K J 1/10W	
R20			RK73GB2A183J	CHIP R 18K J 1/10W	
R21			RK73FB2B561J	CHIP R 560 J 1/8W	
R22			RK73GB2A473J	CHIP R 47K J 1/10W	
R24			RK73GB2A683J	CHIP R 68K J 1/10W	
R25			RK73GB2A393J	CHIP R 39K J 1/10W	
R26			RK73GB2A104J	CHIP R 100K J 1/10W	
R27			RK73EB2E101J	CHIP R 100 J 1/4W	
R28			RK73GB2A104J	CHIP R 100K J 1/10W	
R29			RK73GB2A103J	CHIP R 10K J 1/10W	
R30			RK73GB2A474J	CHIP R 470K J 1/10W	
R50			RK73FB2B182J	CHIP R 1.8K J 1/8W	
R51			RK73GB2A104J	CHIP R 100K J 1/10W	
R53			RK73GB2A101J	CHIP R 100 J 1/10W	
R55			RK73FB2B203J	CHIP R 20K J 1/8W	
R56			RK73FB2B221J	CHIP R 220 J 1/8W	
R58			RK73FB2B221J	CHIP R 220 J 1/8W	
R59			RK73FB2B272J	CHIP R 2.7K J 1/8W	
R60			RK73GB2A223J	CHIP R 22K J 1/10W	
R61			RK73GB2A153J	CHIP R 15K J 1/10W	
R63			RK73GH2A243D	CHIP R 24K D 1/10W	
R64			RK73GH2A432D	CHIP R 4.3K D 1/10W	
R67			RK73GB2A272J	CHIP R 2.7K J 1/10W	
R68			RK73GB2A153J	CHIP R 15K J 1/10W	
R69			RK73GB2A470J	CHIP R 47 J 1/10W	
R70			RK73GH2A153D	CHIP R 15K D 1/10W	
R71			RK73GH2A512D	CHIP R 5.1K D 1/10W	

Ref. No.	A d d	N e w	Parts No.	Description	Desti- nation
R72			RK73GB2A752J	CHIP R 7.5K J 1/10W	
R73			RK73GB2A274J	CHIP R 270K J 1/10W	
R74			RK73GB2A563J	CHIP R 56K J 1/10W	
R75			RK73GB2A470J	CHIP R 47 J 1/10W	
R76			RK73GB2A103J	CHIP R 10K J 1/10W	
R77,78			RK73GB2A913J	CHIP R 91K J 1/10W	
R79			RK73GB2A750J	CHIP R 75 J 1/10W	
R80			RK73GB2A101J	CHIP R 100 J 1/10W	
R100			RK73GB2A103J	CHIP R 10K J 1/10W	
R101			RK73GB2A432J	CHIP R 4.3K J 1/10W	
R102			RK73GB2A103J	CHIP R 10K J 1/10W	
R103			RK73GB2A333J	CHIP R 33K J 1/10W	
R104,105			RK73GB2A103J	CHIP R 10K J 1/10W	
R106			RK73GB2A223J	CHIP R 22K J 1/10W	
R107			RK73GB2A221J	CHIP R 220 J 1/10W	
R108			RK73GB2A222J	CHIP R 2.2K J 1/10W	
R110			RK73GB2A103J	CHIP R 10K J 1/10W	
R111			RK73GB2A390J	CHIP R 39 J 1/10W	
R113			RK73GB2A104J	CHIP R 100K J 1/10W	
R114-117			RK73GB2A471J	CHIP R 470 J 1/10W	
R118			RK73GB2A102J	CHIP R 1.0K J 1/10W	
R120			RK73GB2A223J	CHIP R 22K J 1/10W	
R121			RK73GB2A431J	CHIP R 430 J 1/10W	
R122			RK73GB2A100J	CHIP R 10 J 1/10W	
R150			RK73EB2E2R2J	CHIP R 2.2 J 1/4W	
R151,152			RK73GB2A102J	CHIP R 1.0K J 1/10W	
R159			RK73GB2A391J	CHIP R 390 J 1/10W	
R160			RK73GB2A242J	CHIP R 2.4K J 1/10W	
R162			RK73GH2A512D	CHIP R 5.1K D 1/10W	
R163			RK73GH2A472D	CHIP R 4.7K D 1/10W	
R164			RK73GB2A562J	CHIP R 5.6K J 1/10W	
R165			RK73GB2A103J	CHIP R 10K J 1/10W	
R166			RK73GB2A101J	CHIP R 100 J 1/10W	
R167,168			RK73GB2A102J	CHIP R 1.0K J 1/10W	
R169			RK73FB2B152J	CHIP R 1.5K J 1/8W	
R170			RK73GB2A104J	CHIP R 100K J 1/10W	
R171			RK73FB2B4R7J	CHIP R 4.7 J 1/8W	
R172			RK73GB2A332J	CHIP R 3.3K J 1/10W	
R173,174			RK73GB2A101J	CHIP R 100 J 1/10W	
R176			RK73GB2A100J	CHIP R 10 J 1/10W	
R177-180			RK73GB2A101J	CHIP R 100 J 1/10W	
R181,182			RK73GB2A103J	CHIP R 10K J 1/10W	
R184			RK73FB2B1R0J	CHIP R 1.0 J 1/8W	
R200			RK73FB2B203J	CHIP R 20K J 1/8W	
R201			RK73FB2B103J	CHIP R 10K J 1/8W	
R202			RK73EB2E820J	CHIP R 82 J 1/4W	
R203			RK73GB2A361J	CHIP R 360 J 1/10W	
R204			RK73GB2A104J	CHIP R 100K J 1/10W	
R205			RK73GB2A223J	CHIP R 22K J 1/10W	
R206			RK73EB2E820J	CHIP R 82 J 1/4W	
R207			RK73FB2B203J	CHIP R 20K J 1/8W	
R208			RK73FB2B103J	CHIP R 10K J 1/8W	
R209			RK73GB2A223J	CHIP R 22K J 1/10W	
R210			RK73GB2A104J	CHIP R 100K J 1/10W	
R211			RK73GB2A361J	CHIP R 360 J 1/10W	

E5 : KVT-627DVD E6 : KVT-627DVDY (Europe)

K1 : KVT-717DVD (North America)

X2 : KVT-747DVD (Australia) R1 : KVT-747DVD (Latin America)

C1 : KVT-767DVD (China) M2 : KVT-737DVD (Other Areas)

△ Indicates safety critical components.

# PARTS LIST

## ELECTRIC UNIT (X34-353/354x-xx)

Ref. No.	Add	New	Parts No.	Description	Destination	Ref. No.	Add	New	Parts No.	Description	Destination
R212			RK73EB2E820J	CHIP R 82 J 1/4W		R304			RK73GB2A101J	CHIP R 100 J 1/10W	
R213			RK73FB2B203J	CHIP R 20K J 1/8W		R305			RK73GB2A104J	CHIP R 100K J 1/10W	
R214			RK73FB2B103J	CHIP R 10K J 1/8W		R306			RK73GB2A103J	CHIP R 10K J 1/10W	
R215			RK73GB2A361J	CHIP R 360 J 1/10W		R313			RK73GB2A104J	CHIP R 100K J 1/10W	
R216			RK73GB2A104J	CHIP R 100K J 1/10W		R314			RK73GB2A103J	CHIP R 10K J 1/10W	
R217			RK73GB2A223J	CHIP R 22K J 1/10W		R315			RK73GB2A101J	CHIP R 100 J 1/10W	
R218,219			RK73GB2A473J	CHIP R 47K J 1/10W		R316			RK73GB2A103J	CHIP R 10K J 1/10W	
R220			RK73GB2A223J	CHIP R 22K J 1/10W		R317			RK73GB2A101J	CHIP R 100 J 1/10W	
R221			RK73GB2A104J	CHIP R 100K J 1/10W		R319			RK73GB2A473J	CHIP R 47K J 1/10W	
R222			RK73EB2E820J	CHIP R 82 J 1/4W		R320,321			RK73GB2A104J	CHIP R 100K J 1/10W	
R223			RK73FB2B203J	CHIP R 20K J 1/8W		R322			RK73GB2A101J	CHIP R 100 J 1/10W	
R224			RK73FB2B103J	CHIP R 10K J 1/8W		R323			RK73GB2A104J	CHIP R 100K J 1/10W	
R225,226			RK73GB2A361J	CHIP R 360 J 1/10W		R324			RK73GB2A101J	CHIP R 100 J 1/10W	
R227			RK73FB2B203J	CHIP R 20K J 1/8W		R325			RK73GB2A472J	CHIP R 4.7K J 1/10W	
R228			RK73FB2B103J	CHIP R 10K J 1/8W		R326			RK73GB2A101J	CHIP R 100 J 1/10W	
R229			RK73GB2A104J	CHIP R 100K J 1/10W		R327			RK73GB2A472J	CHIP R 4.7K J 1/10W	
R230			RK73EB2E820J	CHIP R 82 J 1/4W		R328			RK73GB2A104J	CHIP R 100K J 1/10W	
R231,232			RK73GB2A223J	CHIP R 22K J 1/10W		R330			RK73GB2A222J	CHIP R 2.2K J 1/10W	
R233			RK73GB2A104J	CHIP R 100K J 1/10W		R331			RK73GB2A102J	CHIP R 1.0K J 1/10W	
R234			RK73GB2A361J	CHIP R 360 J 1/10W		R332			RK73GB2A104J	CHIP R 100K J 1/10W	
R235			RK73EB2E820J	CHIP R 82 J 1/4W		R335			RK73GB2A102J	CHIP R 1.0K J 1/10W	
R236			RK73FB2B203J	CHIP R 20K J 1/8W		R339			RK73GB2A103J	CHIP R 10K J 1/10W	
R237			RK73FB2B103J	CHIP R 10K J 1/8W		R343-345			RK73GB2A101J	CHIP R 100 J 1/10W	
R238			RK73EB2E750J	CHIP R 75 J 1/4W		R347			RK73GB2A101J	CHIP R 100 J 1/10W	
R239			RK73EB2E101J	CHIP R 100 J 1/4W		R349			RK73GB2A101J	CHIP R 100 J 1/10W	
R240			RK73GB2A361J	CHIP R 360 J 1/10W		R350			RK73GB2A104J	CHIP R 100K J 1/10W	
R241,242			RK73GB2A223J	CHIP R 22K J 1/10W		R351			RK73GB2A101J	CHIP R 100 J 1/10W	
R243			RK73EB2E101J	CHIP R 100 J 1/4W		R352			RK73GB2A104J	CHIP R 100K J 1/10W	
R244			RK73GB2A361J	CHIP R 360 J 1/10W		R353			RK73GB2A101J	CHIP R 100 J 1/10W	
R245			RK73EB2E4R7J	CHIP R 4.7 J 1/4W	K1	R354			RK73GB2A104J	CHIP R 100K J 1/10W	
R246			RK73EB2E100J	CHIP R 10 J 1/4W	K1	R355			RK73GB2A222J	CHIP R 2.2K J 1/10W	
R247			RK73GB2A222J	CHIP R 2.2K J 1/10W	K1	R356			RK73GB2A104J	CHIP R 100K J 1/10W	
R248			RK73GB2A471J	CHIP R 470 J 1/10W		R357			RK73GB2A223J	CHIP R 22K J 1/10W	
R249			RK73EB2E100J	CHIP R 10 J 1/4W	K1	R358-360			RK73GB2A104J	CHIP R 100K J 1/10W	
R250			RK73EB2E4R7J	CHIP R 4.7 J 1/4W		R362			RK73GB2A223J	CHIP R 22K J 1/10W	
R251			RK73EB2E100J	CHIP R 10 J 1/4W		R363			RK73GB2A103J	CHIP R 10K J 1/10W	
R252			RK73GB2A222J	CHIP R 2.2K J 1/10W		R365			RK73GB2A103J	CHIP R 10K J 1/10W	R1X2C1
R253			RK73EB2E101J	CHIP R 100 J 1/4W	K1	R366,367			RK73GB2A103J	CHIP R 10K J 1/10W	K1E5E6
R254			RK73EB2E100J	CHIP R 10 J 1/4W		R366,367			RK73GB2A103J	CHIP R 10K J 1/10W	M2
R255,256			RK73GB2A750J	CHIP R 75 J 1/10W	K1	R367			RK73GB2A103J	CHIP R 10K J 1/10W	R1X2C1
R256			RK73GB2A750J	CHIP R 75 J 1/10W	M2X2C1	R369			RK73GB2A103J	CHIP R 10K J 1/10W	M2
R256			RK73GB2A750J	CHIP R 75 J 1/10W	R1E5E6	R369			RK73GB2A103J	CHIP R 10K J 1/10W	R1E5E6
R257			RK73GB2A222J	CHIP R 2.2K J 1/10W	E6M2	R370			RK73GB2A103J	CHIP R 10K J 1/10W	X2C1
R257			RK73GB2A222J	CHIP R 2.2K J 1/10W	K1R1E5	R370,371			RK73GB2A103J	CHIP R 10K J 1/10W	K1
R260			RK73GB2A222J	CHIP R 2.2K J 1/10W	E6M2	R371			RK73GB2A103J	CHIP R 10K J 1/10W	R1M2
R260			RK73GB2A222J	CHIP R 2.2K J 1/10W	K1R1E5	R372			RK73GB2A103J	CHIP R 10K J 1/10W	C1
R261			RK73EB2E101J	CHIP R 100 J 1/4W		R372			RK73GB2A103J	CHIP R 10K J 1/10W	E5E6X2
R262			RK73GB2A222J	CHIP R 2.2K J 1/10W	E6M2	R374			RK73GB2A103J	CHIP R 10K J 1/10W	
R262			RK73GB2A222J	CHIP R 2.2K J 1/10W	K1R1E5	R400			RK73GB2A103J	CHIP R 10K J 1/10W	
R263			RK73GB2A223J	CHIP R 22K J 1/10W		R401			RK73GB2A334J	CHIP R 330K J 1/10W	
R265			RK73GB2A102J	CHIP R 1.0K J 1/10W		R402			RK73GB2A561J	CHIP R 560 J 1/10W	
R266			RK73EB2E101J	CHIP R 100 J 1/4W		R403			RK73GB2A102J	CHIP R 1.0K J 1/10W	
R267			RK73GB2A750J	CHIP R 75 J 1/10W		R404			RK73GB2A222J	CHIP R 2.2K J 1/10W	
R300			RK73GB2A104J	CHIP R 100K J 1/10W		R412-415			RK73GB2A103J	CHIP R 10K J 1/10W	
R301,302			RK73GB2A101J	CHIP R 100 J 1/10W		R500,501			RK73EB2E100J	CHIP R 10 J 1/4W	

E5 : KVT-627DVD E6 : KVT-627DVDY (Europe)  
 K1 : KVT-717DVD (North America)  
 X2 : KVT-747DVD (Australia) R1 : KVT-747DVD (Latin America)  
 C1 : KVT-767DVD (China) M2 : KVT-737DVD (Other Areas)

△ Indicates safety critical components.

# PARTS LIST

## ELECTRIC UNIT (X34-353/354x-xx)

Ref. No.	A d d	N e w	Parts No.	Description	Desti- nation
R502			RK73EB2E4R7J	CHIP R 4.7 J 1/4W	
R503			RK73GB2A102J	CHIP R 1.0K J 1/10W	
R504			RK73GB2A222J	CHIP R 2.2K J 1/10W	
R505			RK73EB2E472J	CHIP R 4.7K J 1/4W	
R506			RK73EB2E101J	CHIP R 100 J 1/4W	
R507-510			RK73EB2E472J	CHIP R 4.7K J 1/4W	
R511,512			RK73EB2E101J	CHIP R 100 J 1/4W	
R513,514			RK73GB2A103J	CHIP R 10K J 1/10W	
R515-517			RK73EB2E102J	CHIP R 1.0K J 1/4W	
R518			RK73EB2E101J	CHIP R 100 J 1/4W	
R519-521			RK73EB2E102J	CHIP R 1.0K J 1/4W	
R522			RK73EB2E101J	CHIP R 100 J 1/4W	
R523-526			RK73EB2E750J	CHIP R 75 J 1/4W	
R527			RK73GB2A750J	CHIP R 75 J 1/10W	
R528			RK73EB2E4R7J	CHIP R 4.7 J 1/4W	
R529,530			RK73EB2E150J	CHIP R 15 J 1/4W	
R531			RK73EB2E100J	CHIP R 10 J 1/4W	
R532			RK73EB2E4R7J	CHIP R 4.7 J 1/4W	
R533			RK73EB2E100J	CHIP R 10 J 1/4W	
R534,535			RK73EB2E102J	CHIP R 1.0K J 1/4W	
R536-538			RK73EB2E101J	CHIP R 100 J 1/4W	
R539,540			RK73EB2E102J	CHIP R 1.0K J 1/4W	
R541-548			RK73GB2A750J	CHIP R 75 J 1/10W	E5E6
R544-548			RK73GB2A750J	CHIP R 75 J 1/10W	K1R1M2
R544-548			RK73GB2A750J	CHIP R 75 J 1/10W	X2C1
R549-551			RK73EB2E102J	CHIP R 1.0K J 1/4W	
R552			RK73EB2E4R7J	CHIP R 4.7 J 1/4W	
R553,554			RK73EB2E100J	CHIP R 10 J 1/4W	
R565			RK73EB2E101J	CHIP R 100 J 1/4W	K1R1M2
R565			RK73EB2E101J	CHIP R 100 J 1/4W	X2C1
R565-572			RK73EB2E101J	CHIP R 100 J 1/4W	E5E6
R569-572			RK73EB2E101J	CHIP R 100 J 1/4W	K1R1M2
R569-572			RK73EB2E101J	CHIP R 100 J 1/4W	X2C1
R578			RK73GB2A103J	CHIP R 10K J 1/10W	
R579			RK73GB2A432J	CHIP R 4.3K J 1/10W	
R580			RK73GB2A102J	CHIP R 1.0K J 1/10W	
R581,582			RK73GB2A104J	CHIP R 100K J 1/10W	
R583,584			RK73GH2A153D	CHIP R 15K D 1/10W	
R585			RK73EB2E4R7J	CHIP R 4.7 J 1/4W	
R586,587			RK73GH2A153D	CHIP R 15K D 1/10W	
R588,589			RK73GB2A104J	CHIP R 100K J 1/10W	
R590-593			RK73GH2A153D	CHIP R 15K D 1/10W	
R800			RK73EB2E102J	CHIP R 1.0K J 1/4W	
R801			RK73GB2A104J	CHIP R 100K J 1/10W	
R802			RK73GB2A102J	CHIP R 1.0K J 1/10W	M2X2C1
R802			RK73GB2A102J	CHIP R 1.0K J 1/10W	R1E5E6
R802,803			RK73GB2A102J	CHIP R 1.0K J 1/10W	K1
R804-811			RK73GB2A103J	CHIP R 10K J 1/10W	
R850-856			RK73GB2A101J	CHIP R 100 J 1/10W	
W1			R92-1252-05	CHIP R 0 OHM J 1/16W	E5E6
W50			RK73EB2E000J	CHIP R 0.0 J 1/4W	
W100			R92-1252-05	CHIP R 0 OHM J 1/16W	
W250,251			R92-1252-05	CHIP R 0 OHM J 1/16W	
W300			R92-1252-05	CHIP R 0 OHM J 1/16W	
W801			RK73EB2E000J	CHIP R 0.0 J 1/4W	

Ref. No.	A d d	N e w	Parts No.	Description	Desti- nation
W852			R92-1252-05	CHIP R 0 OHM J 1/16W	
D1-8		*	M1F60-5063	DIODE	
D9			RM10ZLFNF	DIODE	
D10			1SR154-400	DIODE	E5E6
D10,11			1SR154-400	DIODE	K1R1M2
D10,11			1SR154-400	DIODE	X2C1
D12			DAP202U	DIODE	
D13,14			1SR154-400	DIODE	
D15			UDZS6.8B	ZENER DIODE	
D16			UDZS5.6B	ZENER DIODE	
D17			UDZS4.7B	ZENER DIODE	
D18			DAP202U	DIODE	
D19			UDZS6.8B	ZENER DIODE	
D52			UDZS11B	ZENER DIODE	
D54,55			UDZS5.6B	ZENER DIODE	
D100,101			DAP202U	DIODE	
D150			UDZS6.8B	ZENER DIODE	
D151			DA227	DIODE	
D152			UDZS16B	ZENER DIODE	
D155-157			DAP202U	DIODE	
D200			DAP202U	DIODE	
D201			STZ6.2N	ZENER DIODE	
D203,204			DAP202U	DIODE	
D205			UDZS4.7B	ZENER DIODE	
D206			STZ6.2N	ZENER DIODE	
D207-209			STZ6.8N	ZENER DIODE	K1
D209			STZ6.8N	ZENER DIODE	K1
D209			STZ6.8N	ZENER DIODE	M2X2C1
D210			STZ6.2N	ZENER DIODE	R1E5E6
D211			STZ6.8N	ZENER DIODE	
D212-214			DAP202U	DIODE	
D216			DAP202U	DIODE	
D218			STZ6.8N	ZENER DIODE	
D252			IMSA-6801-E	SURGE ABSORBER	
D300			DA227	DIODE	
D413			UDZS4.7B	ZENER DIODE	
D414			DAP202U	DIODE	
D500,501			STZ6.8N	ZENER DIODE	
D502			UDZS4.7B	ZENER DIODE	
D503			DAP202U	DIODE	
D504-507			STZ6.2N	ZENER DIODE	
D508			DAN202U	DIODE	
D509-518			STZ6.2N	ZENER DIODE	
D519-521			STZ6.8N	ZENER DIODE	
D522-525			D522-525	ZENER DIODE	
D522-525			STZ6.2N	ZENER DIODE	K1R1M2
D522-525			STZ6.2N	ZENER DIODE	X2C1
D522-535			STZ6.2N	ZENER DIODE	E5E6
D529-535			STZ6.2N	ZENER DIODE	K1R1M2
D529-535			STZ6.2N	ZENER DIODE	X2C1
D536,537			DA204U	DIODE	
D538			STZ6.2N	ZENER DIODE	
D539			STZ6.8N	ZENER DIODE	
D550			UDZS6.8B	ZENER DIODE	
D800			STZ6.2N	ZENER DIODE	

E5 : KVT-627DVD E6 : KVT-627DVDY (Europe)

K1 : KVT-717DVD (North America)

X2 : KVT-747DVD (Australia) R1 : KVT-747DVD (Latin America)

C1 : KVT-767DVD (China) M2 : KVT-737DVD (Other Areas)

△ Indicates safety critical components.

# PARTS LIST

## ELECTRIC UNIT (X34-353/354x-xx)

Ref. No.	Add	New	Parts No.	Description	Destination
IC50			M5237ML-CF0J	ANALOGUE IC	
IC52			ICL7660SIBAZ	ANALOGUE IC	
IC54			M5237ML-CF0J	ANALOGUE IC	
IC100			E-TDA7560A	ANALOGUE IC	
IC150			NJM4565V-ZB	ANALOGUE IC	
IC151			E-TDA7415	ANALOGUE IC	
IC200-202			NJM4565V-ZB	ANALOGUE IC	
IC203,204			BA3121F	ANALOGUE IC	K1
IC204			BA3121F	ANALOGUE IC	M2X2C1
IC204			BA3121F	ANALOGUE IC	R1E5E6
IC251			E-TDA7479AD	ANALOGUE IC	E6M2
IC251			E-TDA7479AD	ANALOGUE IC	K1R1E5
IC300			S-80842CNNB-G	MOS-IC	
IC301			SN74HC02APWR	MOS-IC	
IC302			BR24L02FV-W	ROM IC	
IC303		*	703030YGCJ13A	MICROCONTROLLER IC	
IC400-402		*	MM1508XNRE-E	ANALOGUE IC	
IC403			MM1108XFFE-E	ANALOGUE IC	
IC404		*	BA7653AFV	ANALOGUE IC	
IC405			BA3121F	ANALOGUE IC	
IC406			BA7652AF	ANALOGUE IC	
IC407,408			MM1228XFBE-E	ANALOGUE IC	
IC413,414			TC4052BFT	MOS-IC	
IC415			MM1503-E	ANALOGUE IC	
IC416			BA7652AF	ANALOGUE IC	
IC500			BA3121F	ANALOGUE IC	
IC501		*	TC7SET04FU-F	MOS-IC	
IC502			TC7SH08FU-F	MOS-IC	
IC504,505			NJM2060V-ZB	ANALOGUE IC	
Q1			2SB1189	TRANSISTOR	
Q2			2SC4081	TRANSISTOR	
Q3			2SA1576A	TRANSISTOR	
Q4			2SC4081	TRANSISTOR	
Q6,7			DTC114YUA	DIGITAL TRANSISTOR	K1R1M2
Q6,7			DTC114YUA	DIGITAL TRANSISTOR	X2C1
Q7			DTC114YUA	DIGITAL TRANSISTOR	E5E6
Q8			DTA114EUA	DIGITAL TRANSISTOR	
Q9,10			2SB1188(Q,R)	TRANSISTOR	K1R1M2
Q9,10			2SB1188(Q,R)	TRANSISTOR	X2C1
Q10			2SB1188(Q,R)	TRANSISTOR	E5E6
Q11			2SA1576A	TRANSISTOR	
Q12			2SC4081	TRANSISTOR	
Q13			DTA123JK	DIGITAL TRANSISTOR	
Q14			2SA1576A	TRANSISTOR	
Q15			2SC4081	TRANSISTOR	
Q50			2SB1443	TRANSISTOR	
Q51			2SC4081	TRANSISTOR	
Q52			UMC2N	TRANSISTOR	
Q54			2SC4081	TRANSISTOR	
Q55			UMC2N	TRANSISTOR	
Q58			2SB1184	TRANSISTOR	
Q59			2SB1565	TRANSISTOR	
Q61			UMC2N	TRANSISTOR	
Q62			DTC114EUA	DIGITAL TRANSISTOR	
Q63			2SA1576A	TRANSISTOR	

Ref. No.	Add	New	Parts No.	Description	Destination
Q64			2SB1565	TRANSISTOR	
Q65			2SA1576A	TRANSISTOR	
Q66			2SC4081	TRANSISTOR	
Q67			2SA1576A	TRANSISTOR	
Q68			2SC4617	TRANSISTOR	
Q69			2SA1774	TRANSISTOR	
Q70			2SC4617	TRANSISTOR	
Q150			UMC2N	TRANSISTOR	
Q151			2SA1774	TRANSISTOR	
Q152			2SC2873-F	TRANSISTOR	
Q200-202			DTC323TU	DIGITAL TRANSISTOR	
Q203			2SA1576A	TRANSISTOR	
Q204-207			DTC323TU	DIGITAL TRANSISTOR	
Q208			DTA144EUA	DIGITAL TRANSISTOR	
Q209			DTC323TU	DIGITAL TRANSISTOR	
Q250			DTC124EUA	DIGITAL TRANSISTOR	
Q252			2SB1689	TRANSISTOR	
Q403-406			DTC124EUA	DIGITAL TRANSISTOR	
Q500			DTA124EUA	DIGITAL TRANSISTOR	
TH100		*	PRF18BE471QS2	POSITIVE RESISTOR	
A250	2H	*	X86-3930-11	FRONT-END UNIT	K1R1X2
A250	2H	*	X86-3932-70	FRONT-END UNIT	E5E6M2
A250	2H	*	X86-3942-10	FRONT-END UNIT	C1
<b>VIDEO UNIT (X35-448/449x-xx)</b>					
D603			B30-1605-05	LED (2COLOR PG/RED)	
C1,2		*	C93-1396-05	CHIP C 10UF 25WV	
C3			C93-1283-05	CHIP C 1.0UF K	
C5			C93-1363-05	CHIP C 10PF 3KWV	
C6			C93-1361-05	CHIP C 0.012UF 16WV	
C7			CK73GB1H473K	CHIP C 0.047UF K	
C8			C93-1269-05	CHIP C 220PF J	
C9			CK73GB0J225K	CHIP C 2.2UF K	
C10			CK73GB1H103K	CHIP C 0.010UF K	
C11			CK73GB0J225K	CHIP C 2.2UF K	
C13			CK73GB1A474K	CHIP C 0.47UF K	
C14			CK73HB1C103K	CHIP C 0.010UF K	
C15			CK73GB1H473K	CHIP C 0.047UF K	
C16			CK73HB1C183K	CHIP C 0.018UF K	
C17			CK73HB1C103K	CHIP C 0.010UF K	
C18			C93-1283-05	CHIP C 1.0UF K	
C21			CK73GB0J225K	CHIP C 2.2UF K	
C22			CK73HB1H152K	CHIP C 1500PF K	
C23		*	C93-1396-05	CHIP C 10UF 25WV	
C24		*	CK73GB1H103K	CHIP C 0.010UF K	
C25		*	C93-1286-05	CHIP C 0.0027UF 50WV	
C26			CK73GB1H103K	CHIP C 0.010UF K	
C30			C93-1283-05	CHIP C 1.0UF K	
C100			CC73GCH1H151J	CHIP C 150PF J	
C101			CK73GB1H104K	CHIP C 0.10UF K	
C102			CK73EB1C106K	CHIP C 10UF K	
C103			CK73GB1H103K	CHIP C 0.010UF K	
C105			CE32AU1C390M	CHIP EL 39UF 16WV	
C106			CK73GB1H103K	CHIP C 0.010UF K	
C108			CE32AU1C390M	CHIP EL 39UF 16WV	

E5 : KVT-627DVD E6 : KVT-627DVDY (Europe)  
 K1 : KVT-717DVD (North America)  
 X2 : KVT-747DVD (Australia) R1 : KVT-747DVD (Latin America)  
 C1 : KVT-767DVD (China) M2 : KVT-737DVD (Other Areas)

△ Indicates safety critical components.

# PARTS LIST

## VIDEO UNIT (X35-448/449x-xx)

Ref. No.	A d d	N e w	Parts No.	Description	Desti- nation
C109			CK73FB1C105K	CHIP C 1.0UF K	
C110			CK73GB1H103K	CHIP C 0.010UF K	
C111			C93-1367-05	CHIP C 10UF 25WV	
C112			CK73FB1E154K	CHIP C 0.15UF K	
C113			CK73EB1E225K	CHIP C 2.2UF K	
C114			CK73GB1C224K	CHIP C 0.22UF K	
C115			CK73GB1H104K	CHIP C 0.10UF K	
C116			CE32BF0J221M	CHIP EL 220UF 6.3WV	
C118			CK73GB1H103K	CHIP C 0.010UF K	
C211			CK73EB1A475K	CHIP C 4.7UF K	
C230			CK73GB1H103K	CHIP C 0.010UF K	
C231,232		*	C93-1396-05	CHIP C 10UF 25WV	
C233			CK73GB1H103K	CHIP C 0.010UF K	
C234			CC73HCH1H560J	CHIP C 56PF J	
C300			CK73GB1H103K	CHIP C 0.010UF K	
C301,302		*	C93-1396-05	CHIP C 10UF 25WV	
C303			CK73GB1H103K	CHIP C 0.010UF K	
C304			CK73GB1H104K	CHIP C 0.10UF K	
C305,306			CK73GB1H103K	CHIP C 0.010UF K	
C307			CK73EB1C106K	CHIP C 10UF K	
C308			CK73GB1H103K	CHIP C 0.010UF K	
C309			CC73HCH1H100D	CHIP C 10PF D	
C310			CK73HB1H561K	CHIP C 560PF K	
C311			CK73HB1C103K	CHIP C 0.010UF K	
C312			CK73GB1H103K	CHIP C 0.010UF K	
C313,314			CK73HB1C103K	CHIP C 0.010UF K	
C315,316			CK73GB1H104K	CHIP C 0.10UF K	
C317			CK73HB1C103K	CHIP C 0.010UF K	
C318,319			CK73GB1H104K	CHIP C 0.10UF K	
C320			CC73HCH1H560J	CHIP C 56PF J	
C321			CK73GB1H104K	CHIP C 0.10UF K	
C322			CC73GCH1E102J	CHIP C 1000PF J	
C323			CC73HCH1H101J	CHIP C 100PF J	
C324,325			CK73HB1C103K	CHIP C 0.010UF K	
C326			CC73GCH1H681J	CHIP C 680PF J	
C327,328			CK73GB1H104K	CHIP C 0.10UF K	
C329			CC73HCH1H101J	CHIP C 100PF J	
C330			CK73EB1C106K	CHIP C 10UF K	
C331,332			CC73HCH1H390J	CHIP C 39PF J	
C333			CK73GB1H104K	CHIP C 0.10UF K	
C334			CK73GB1H103K	CHIP C 0.010UF K	
C335,336			CK73GB1H104K	CHIP C 0.10UF K	
C337			CK73HB1C103K	CHIP C 0.010UF K	
C342			CC73HCH1H100D	CHIP C 10PF D	
C401			CK73HB1H102K	CHIP C 1000PF K	
C421,422			CK73FB1C105K	CHIP C 1.0UF K	
C423			CK73EB1C106K	CHIP C 10UF K	
C424			CK73HB1C103K	CHIP C 0.010UF K	
C425			CK73FB1C105K	CHIP C 1.0UF K	
C426			CK73EB1E105K	CHIP C 1.0UF K	
C427			CK73FB1A225K	CHIP C 2.2UF K	
C428			CK73FB0J106K	CHIP C 10UF K	
C501-503			CK73HB1C103K	CHIP C 0.010UF K	
C504			CK73EB1C106K	CHIP C 10UF K	
C505			CK73HB1H271K	CHIP C 270PF K	

Ref. No.	A d d	N e w	Parts No.	Description	Desti- nation
CN1			E41-2483-05	PIN ASSY	
CN301		*	E41-2526-05	FLAT CABLE CONNECTOR	
CN302		*	E41-2547-05	FLAT CABLE CONNECTOR	
CN303		*	E41-2444-05	FLAT CABLE CONNECTOR	
CN304		*	E41-2435-05	FLAT CABLE CONNECTOR	
CN305			E41-2359-05	PIN ASSY	
CN501			E41-2087-05	FLAT CABLE CONNECTOR	
CN502		*	E41-2547-05	FLAT CABLE CONNECTOR	
CN503		*	E41-2564-05	FLAT CABLE CONNECTOR	
CN601		*	E41-2548-05	FLAT CABLE CONNECTOR	
F1		*	F53-0297-05	FUSE (UL, CSA)	
F100		*	F53-0280-05	FUSE	
L1		*	L19-0783-05	TRANSFORMER FOR CONVERTER	
L101,102			L41-3392-13	SMALL FIXED INDUCTOR (3.3UH)	
L103			L41-4792-13	SMALL FIXED INDUCTOR (4.7UH)	
L104-106			L41-1005-33	SMALL FIXED INDUCTOR (10U)	
L302,303			L41-1005-33	SMALL FIXED INDUCTOR (10U)	
L306			L41-5695-33	SMALL FIXED INDUCTOR (5.6U)	
L307		*	L41-8281-15	SMALL FIXED INDUCTOR (0.82U)	
L401			L41-1005-33	SMALL FIXED INDUCTOR (10U)	
L501			L41-1005-33	SMALL FIXED INDUCTOR (10U)	
CP301,302			RK74HB1J102J	CHIP-COM 1.0K J 1/16W	
CP303			RK74HB1J101J	CHIP-COM 100 J 1/16W	
R1			RK73HB1J512J	CHIP R 5.1K J 1/16W	
R3			RK73HB1J220J	CHIP R 22 J 1/16W	
R4			RN73GH1J433D	CHIP R 43K D 1/16W	
R5			RK73HB1J153J	CHIP R 15K J 1/16W	
R6			RN73GH1J513D	CHIP R 51K D 1/16W	
R7			RK73HB1J220J	CHIP R 22 J 1/16W	
R8			RK73HB1J512J	CHIP R 5.1K J 1/16W	
R9			RK73GH2A244D	CHIP R 240K D 1/10W	
R10			RK73HB1J331J	CHIP R 330 J 1/16W	
R11			RK73HB1J220J	CHIP R 22 J 1/16W	
R12			RK73HB1J105J	CHIP R 1.0M J 1/16W	
R13			RK73HB1J220J	CHIP R 22 J 1/16W	
R14			RN73GH1J4530D	CHIP R 453.0 D 1/16W	
R15			RN73GH1J513D	CHIP R 51K D 1/16W	
R16,17			RK73HB1J220J	CHIP R 22 J 1/16W	
R18			RK73HB1J222J	CHIP R 2.2K J 1/16W	
R19			RK73HB1J101J	CHIP R 100 J 1/16W	
R21			RK73HB1J000JK	CHIP R 0.0 J 1/16W	
R22-26			RK73HB1J102J	CHIP R 1.0K J 1/16W	
R28		*	RK73GB2A515J	CHIP R 5.1M J 1/10W	
R29			RK73GB2A104J	CHIP R 100K J 1/10W	
R101			RK73GH2A104D	CHIP R 100K D 1/10W	
R102			RK73GH2A113D	CHIP R 11K D 1/10W	
R103			RK73GH2A184D	CHIP R 180K D 1/10W	
R104			RK73GH2A133D	CHIP R 13K D 1/10W	
R105			RK73HB1J473J	CHIP R 47K J 1/16W	
R106			RK73HB1J103J	CHIP R 10K J 1/16W	
R218			RK73HB1J102J	CHIP R 1.0K J 1/16W	
R219			RK73HB1J513J	CHIP R 51K J 1/16W	
R234			RN73GH1J472D	CHIP R 4.7K D 1/16W	
R235			RN73GH1J912D	CHIP R 9.1K D 1/16W	

E5 : KVT-627DVD E6 : KVT-627DVDY (Europe)  
K1 : KVT-717DVD (North America)  
X2 : KVT-747DVD (Australia) R1 : KVT-747DVD (Latin America)  
C1 : KVT-767DVD (China) M2 : KVT-737DVD (Other Areas)

△ Indicates safety critical components.

# PARTS LIST

## VIDEO UNIT (X35-448/449x-xx)

Ref. No.	Add	New	Parts No.	Description	Destination	Ref. No.	Add	New	Parts No.	Description	Destination
R236			RN73GH1J222D	CHIP R 2.2K D 1/16W		R503-506			RK73EB2E100J	CHIP R 10 J 1/4W	
R240			RK73HB1J220J	CHIP R 22 J 1/16W		R600			RK73HB1J100J	CHIP R 10 J 1/16W	
R242			RK73HB1J220J	CHIP R 22 J 1/16W		R642			RK73HB1J471J	CHIP R 470 J 1/16W	
R253			RK73HB1J000JK	CHIP R 0.0 J 1/16W		R652,653			RK73GB2A151J	CHIP R 150 J 1/10W	
R256,257			RK73HB1J000JK	CHIP R 0.0 J 1/16W		R663,664			RK73GB2A271J	CHIP R 270 J 1/10W	
R300			RK73GB2A103J	CHIP R 10K J 1/10W		VR203			R32-0328-05	SEMI FIXED VARIABLE RESISTOR	
R302			RK73HB1J221J	CHIP R 220 J 1/16W		VR301			R32-0328-05	SEMI FIXED VARIABLE RESISTOR	
R307			RK73HB1J101J	CHIP R 100 J 1/16W		W216,217			RK73FB2B000J	CHIP R 0.0 J 1/8W	
R308			RK73HB1J621J	CHIP R 620 J 1/16W		W301-304			R92-1252-05	CHIP R 0 OHM J 1/16W	
R309			RK73HB1J000JK	CHIP R 0.0 J 1/16W		W310			R92-1252-05	CHIP R 0 OHM J 1/16W	
R310			RK73HB1J101J	CHIP R 100 J 1/16W		W354-356			R92-1252-05	CHIP R 0 OHM J 1/16W	
R316			RK73HB1J102J	CHIP R 1.0K J 1/16W		S401-404	*		S70-0937-05	TACT SWITCH	
R318			RK73HB1J102J	CHIP R 1.0K J 1/16W		S601			S70-0919-05	TACT SWITCH	
R320			RK73HB1J000JK	CHIP R 0.0 J 1/16W		D1,2			UDZS4.7B	ZENER DIODE	
R321			RN73GH1J472D	CHIP R 4.7K D 1/16W		D3			1SS355	DIODE	
R323			RK73HB1J000JK	CHIP R 0.0 J 1/16W		D4,5			DA204U	DIODE	
R324,325			RN73GH1J472D	CHIP R 4.7K D 1/16W		D6	*		MA2S784-F	DIODE	
R326			RK73HH1J473D	CHIP R 47K D 1/16W		D7			UDZS5.6B	ZENER DIODE	
R327			RK73HH1J683D	CHIP R 68K D 1/16W		D9			DA204U	DIODE	
R328			RK73HH1J153D	CHIP R 15K D 1/16W		D10			AVRM1005270MAA	VARIATOR	
R329			RK73HH1J101D	CHIP R 100 D 1/16W		D101			EP05Q04	DIODE	
R330			RK73HH1J182D	CHIP R 1.8K D 1/16W		D102			EP05Q06	DIODE	
R331		*	RK73HH1J331D	CHIP R 330 D 1/16W		D103,104			EP05Q04	DIODE	
R332			RK73HH1J332D	CHIP R 3.3K D 1/16W		D301			UDZS5.1B	ZENER DIODE	
R333-335			RK73HB1J000JK	CHIP R 0.0 J 1/16W		D302,303			DA204U	DIODE	
R337,338			RK73HB1J101J	CHIP R 100 J 1/16W		D304			UDZS5.1B	ZENER DIODE	
R339			RK73HB1J102J	CHIP R 1.0K J 1/16W		D305,306			DA204U	DIODE	
R340-344			RK73HB1J101J	CHIP R 100 J 1/16W		D309	*		1SV231-F	VARIABLE CAPACITANCE DIODE	
R345			RK73HH1J683D	CHIP R 68K D 1/16W		D312,313			AVRM1608120M6A	VARIATOR	
R346			RK73HH1J105D	CHIP R 1.0M D 1/16W		D314			DA204U	DIODE	
R347			RK73HH1J153D	CHIP R 15K D 1/16W		D401			AVRM1608120M6A	VARIATOR	
R348			RK73HB1J362J	CHIP R 3.6K J 1/16W		D402-410			AVRM1608180M6A	VARIATOR	
R349			RK73HB1J752J	CHIP R 7.5K J 1/16W		D501-504			UDZS6.2B	ZENER DIODE	
R350-352			RK73HB1J101J	CHIP R 100 J 1/16W		D601,602			AVRM1608180M6A	VARIATOR	
R353			RK73HB1J103J	CHIP R 10K J 1/16W		IC1	*		OZ964ISN-C	ANALOGUE IC	
R354		*	RK73HB1J300J	CHIP R 30 J 1/16W		IC101	*		LT1947-PBF	ANALOGUE IC	
R355			RK73HB1J820J	CHIP R 82 J 1/16W		IC203	*		TA75W558FU-F	ANALOGUE IC	
R356			RK73HB1J103J	CHIP R 10K J 1/16W		IC300	*		TC7WH126FU-F	MOS-IC	
R357			RK73HB1J000JK	CHIP R 0.0 J 1/16W		IC301	*		TC200G02G0104	MOS-IC	
R359,360			RK73HB1J100J	CHIP R 10 J 1/16W		IC302			TC7SH08FU-F	MOS-IC	
R366			RK73HB1J000JK	CHIP R 0.0 J 1/16W		IC303			NJM2107F-ZB	ANALOGUE IC	
R371			RK73HB1J000JK	CHIP R 0.0 J 1/16W		IC401			TPS850	ANALOGUE IC	
R373,374			RK73HB1J561J	CHIP R 560 J 1/16W		Q1			2SC4081	TRANSISTOR	
R385			RK73HB1J000JK	CHIP R 0.0 J 1/16W		Q2,3	*		SI5513DC-E3	DUAL FET	
R388			RK73HB1J000JK	CHIP R 0.0 J 1/16W		Q5			2SC4081	TRANSISTOR	
R402			RK73HB1J392J	CHIP R 3.9K J 1/16W		Q202			2SC4097	TRANSISTOR	
R403			RK73HB1J822J	CHIP R 8.2K J 1/16W		Q203			2SA1577	TRANSISTOR	
R404			RK73HB1J243J	CHIP R 24K J 1/16W		Q300			DTC124EUA	DIGITAL TRANSISTOR	
R422			RK73HB1J683J	CHIP R 68K J 1/16W		Q301			2SC4097	TRANSISTOR	
R423			RK73HB1J104J	CHIP R 100K J 1/16W		Q302,303			2SC4081	TRANSISTOR	
R441			RK73GB2A681J	CHIP R 680 J 1/10W		Q501			DTC124EE	DIGITAL TRANSISTOR	
R453			RK73GB2A681J	CHIP R 680 J 1/10W		Q502,503			PUMD10	DUAL TRANSISTOR	
R454			RK73GB2A331J	CHIP R 330 J 1/10W		Q601			DTC124EE	DIGITAL TRANSISTOR	
R456			RK73GB2A331J	CHIP R 330 J 1/10W							
R501,502			RK73HB1J333J	CHIP R 33K J 1/16W							

E5 : KVT-627DVD E6 : KVT-627DVDY (Europe)  
K1 : KVT-717DVD (North America)  
X2 : KVT-747DVD (Australia) R1 : KVT-747DVD (Latin America)  
C1 : KVT-767DVD (China) M2 : KVT-737DVD (Other Areas)

△ Indicates safety critical components.

# PARTS LIST

Ref. No.	Add	New	Parts No.	Description	Destination
<b>DVD UNIT (X37-1070-00)</b>					
C1-3			CK73HB1A104K	CHIP C 0.10UF K	
C4,5			CK73HB0J105K	CHIP C 1.0UF K	
C6			CK73GB0J475K	CHIP C 4.7UF K	
C7			CK73FB0J106M	CHIP C 10UF M	
C8			CK73FB0J226M	CHIP C 22UF M	
C10			CK73HB1A104K	CHIP C 0.10UF K	
C14			CK73FB0J106M	CHIP C 10UF M	
C15			CK73HB0J105K	CHIP C 1.0UF K	
C16			CK73HB1A104K	CHIP C 0.10UF K	
C17			CK73HB0J105K	CHIP C 1.0UF K	
C18			CK73HB1H332K	CHIP C 3300PF K	
C19			CK73HB1A104K	CHIP C 0.10UF K	
C20			CK73FB0J106M	CHIP C 10UF M	
C21			CK73FB0J226M	CHIP C 22UF M	
C23			CK73HB1A104K	CHIP C 0.10UF K	
C24			CC73GCH1H471J	CHIP C 470PF J	
C25			CK73HB1A104K	CHIP C 0.10UF K	
C26			CK73HB1A473K	CHIP C 0.047UF K	
C27			CK73HB1A104K	CHIP C 0.10UF K	
C28			CK73HB1C103K	CHIP C 0.010UF K	
C29			CK73HB0J105K	CHIP C 1.0UF K	
C31			CK73HB1C223K	CHIP C 0.022UF K	
C32			CC73HCH1H470J	CHIP C 47PF J	
C33			CC73GCH1H102J	CHIP C 1000PF J	
C35			CC73GCH1H102J	CHIP C 1000PF J	
C36			CC73GCH1H681J	CHIP C 680PF J	
C37			CK73HB1E682K	CHIP C 6800PF K	
C38			CK73HB0J105K	CHIP C 1.0UF K	
C39			CC73GCH1H331J	CHIP C 330PF J	
C40			CC73GCH1H102J	CHIP C 1000PF J	
C41			CK73HB0J105K	CHIP C 1.0UF K	
C42			CC73GCH1H681J	CHIP C 680PF J	
C43			CK73HB1H222K	CHIP C 2200PF K	
C44			CK73HB1H152K	CHIP C 1500PF K	
C45			CK73HB1H102K	CHIP C 1000PF K	
C46			CK73HB1A104K	CHIP C 0.10UF K	
C47-52			CK73HB0J105K	CHIP C 1.0UF K	
C53			CK73HB1A104K	CHIP C 0.10UF K	
C54,55			CK73HB0J105K	CHIP C 1.0UF K	
C56			C93-1228-05	CHIP C 1.0UF M	
C57,58			CK73HB0J105K	CHIP C 1.0UF K	
C60			CK73HB0J105K	CHIP C 1.0UF K	
C61			C93-1228-05	CHIP C 1.0UF M	
C62,63			CC73HCH1H120J	CHIP C 12PF J	
C64			CK73HB1C103K	CHIP C 0.010UF K	
C66			CK73FB0J106M	CHIP C 10UF M	
C67			C93-1228-05	CHIP C 1.0UF M	
C68,69			CK73HB0J105K	CHIP C 1.0UF K	
C70			CK73HB1A104K	CHIP C 0.10UF K	
C71			CK73FB0J226M	CHIP C 22UF M	
C72,73			CK73HB1A104K	CHIP C 0.10UF K	
C76			CK73HB1A104K	CHIP C 0.10UF K	
C80			CK73FB0J106M	CHIP C 10UF M	

Ref. No.	Add	New	Parts No.	Description	Destination
C81			CK73FB0J226M	CHIP C 22UF M	
C82			CK73HB1A104K	CHIP C 0.10UF K	
C83,84			C92-1908-05	ELECTRO 47UF 6.3WV	
C85,86			CK73HB1H102K	CHIP C 1000PF K	
C87-89			CK73HB1C103K	CHIP C 0.010UF K	
C90			CK73HB1C223K	CHIP C 0.022UF K	
C91			CK73HB1A333K	CHIP C 0.033UF K	
C92,93			CK73HB1C103K	CHIP C 0.010UF K	
C94			CK73GB0J475K	CHIP C 4.7UF K	
C95			CK73FB0J106M	CHIP C 10UF M	
C96			CK73FB0J226M	CHIP C 22UF M	
C97			CK73HB1C103K	CHIP C 0.010UF K	
C98			CK73GB0J475K	CHIP C 4.7UF K	
C99			CK73FB0J226M	CHIP C 22UF M	
C101			CK73FB0J226M	CHIP C 22UF M	
C102			C92-1908-05	ELECTRO 47UF 6.3WV	
C104			CC73HCH1H100D	CHIP C 10PF D	
C105-108			CC73HCH1H151J	CHIP C 150PF J	
C109,110			CK73HB1H102K	CHIP C 1000PF K	
C120,121			CK73HB1C223K	CHIP C 0.022UF K	
CN1			E41-2194-05	FLAT CABLE CONNECTOR	
CN2			E41-2156-05	FLAT CABLE CONNECTOR	
CN3			E41-2158-05	FLAT CABLE CONNECTOR	
CN4			E41-2197-05	FLAT CABLE CONNECTOR	
CN5			E41-2189-05	FLAT CABLE CONNECTOR	
CN6			E41-2050-05	SOCKET FOR PIN ASSY	
L1-5			L92-0365-05	CHIP FERRITE	
X1			L77-2870-05	CRYSTAL RESONATOR (16.897849M)	
CP2-4			RK74HB1J103J	CHIP-COM 10K J 1/16W	
CP5-9			RK74HB1J330J	CHIP-COM 33 J 1/16W	
CP10			RK74HB1J820J	CHIP-COM 82 J 1/16W	
R1			RK73GH2A101D	CHIP R 100 D 1/10W	
R2,3			RK73HB1J104J	CHIP R 100K J 1/16W	
R8			RK73HB1J104J	CHIP R 100K J 1/16W	
R10			RK73HB1J103J	CHIP R 10K J 1/16W	
R11			RK73HB1J225J	CHIP R 2.2M J 1/16W	
R12			RK73HB1J103J	CHIP R 10K J 1/16W	
R15			RK73GH2A113D	CHIP R 11K D 1/10W	
R16			RK73GH2A273D	CHIP R 27K D 1/10W	
R18			RK73HB1J125J	CHIP R 1.2M J 1/16W	
R21			RK73GH2A153D	CHIP R 15K D 1/10W	
R22			RK73HB1J105J	CHIP R 1.0M J 1/16W	
R23			RK73HB1J472J	CHIP R 4.7K J 1/16W	
R24			RK73GH2A123D	CHIP R 12K D 1/10W	
R25-27			RK73HB1J103J	CHIP R 10K J 1/16W	
R28,29			RK73HB1J102J	CHIP R 1.0K J 1/16W	
R30-32			RK73HB1J132J	CHIP R 1.3K J 1/16W	
R33			RK73HB1J103J	CHIP R 10K J 1/16W	
R34,35			RK73HB1J472J	CHIP R 4.7K J 1/16W	
R36			RK73HB1J102J	CHIP R 1.0K J 1/16W	
R37			RK73HB1J132J	CHIP R 1.3K J 1/16W	
R38,39			RK73HB1J102J	CHIP R 1.0K J 1/16W	
R40,41			RK73HB1J473J	CHIP R 47K J 1/16W	

E5 : KVT-627DVD E6 : KVT-627DVDY (Europe)  
K1 : KVT-717DVD (North America)  
X2 : KVT-747DVD (Australia) R1 : KVT-747DVD (Latin America)  
C1 : KVT-767DVD (China) M2 : KVT-737DVD (Other Areas)

△ Indicates safety critical components.

# PARTS LIST

## DVD UNIT (X37-1070-00)

Ref. No.	Add	New	Parts No.	Description	Destination
R45			RK73HB1J105J	CHIP R 1.0M J 1/16W	
R46			RK73HB1J152J	CHIP R 1.5K J 1/16W	
R47			RK73HB1J472J	CHIP R 4.7K J 1/16W	
R49			RK73HB1J273J	CHIP R 27K J 1/16W	
R51			RK73HB1J102J	CHIP R 1.0K J 1/16W	
R52			RK73HB1J132J	CHIP R 1.3K J 1/16W	
R53			RK73HB1J103J	CHIP R 10K J 1/16W	
R54			RK73HB1J220J	CHIP R 22 J 1/16W	
R55			RK73HB1J202J	CHIP R 2.0K J 1/16W	
R56,57			RK73HB1J221J	CHIP R 220 J 1/16W	
R58			RK73GH2A273D	CHIP R 27K D 1/10W	
R59			RK73GB2A150J	CHIP R 15 J 1/10W	
R61			RK73GB2A121J	CHIP R 120 J 1/10W	
R62			R92-3475-05	CHIP R 0.27 F 1/2W	
R63			RK73GB2A241J	CHIP R 240 J 1/10W	
R64			RK73HB1J222J	CHIP R 2.2K J 1/16W	
R65,66			RK73HB1J103J	CHIP R 10K J 1/16W	
R67			RK73HB1J472J	CHIP R 4.7K J 1/16W	
R68,69			RK73HB1J102J	CHIP R 1.0K J 1/16W	
R70,71			RK73GH2A123D	CHIP R 12K D 1/10W	
R72			RK73GH2A333D	CHIP R 33K D 1/10W	
R73			RK73GH2A203D	CHIP R 20K D 1/10W	
R74			RK73HB1J123J	CHIP R 12K J 1/16W	
R75			RK73HB1J152J	CHIP R 1.5K J 1/16W	
R76			RK73HB1J751J	CHIP R 750 J 1/16W	
R77			RK73HB1J431J	CHIP R 430 J 1/16W	
R78			RK73HB1J472J	CHIP R 4.7K J 1/16W	
R79			R92-5031-05	CHIP R 5.1 F 1/8W	
R80			RK73GB2A3R6J	CHIP R 3.6 J 1/10W	
R81			RK73HB1J134J	CHIP R 130K J 1/16W	
R82			RK73HB1J103J	CHIP R 10K J 1/16W	
R83			RK73HB1J820J	CHIP R 82 J 1/16W	
R84			RK73HB1J103J	CHIP R 10K J 1/16W	
R85			RK73HB1J330J	CHIP R 33 J 1/16W	
R86-88			RK73HB1J820J	CHIP R 82 J 1/16W	
R89,90			RK73HB1J103J	CHIP R 10K J 1/16W	
R91			RK73GH2A101D	CHIP R 100 D 1/10W	
R92			RK73HB1J104J	CHIP R 100K J 1/16W	
R93			RK73HB1J222J	CHIP R 2.2K J 1/16W	
R95			R92-5031-05	CHIP R 5.1 F 1/8W	
R96,97			RK73HB1J102J	CHIP R 1.0K J 1/16W	
R98			R92-5025-05	CHIP R 3.3 F 1/8W	
R100,101			RK73HB1J510J	CHIP R 51 J 1/16W	
R102,103			RK73HB1J202J	CHIP R 2.0K J 1/16W	
R104			RK73HB1J103J	CHIP R 10K J 1/16W	
R105			RK73HB1J132J	CHIP R 1.3K J 1/16W	
R106,107			RK73HB1J103J	CHIP R 10K J 1/16W	
R108			RK73HB1J223J	CHIP R 22K J 1/16W	
R109			RK73HB1J123J	CHIP R 12K J 1/16W	
R110			RK73GH2A132D	CHIP R 1.3K D 1/10W	
R117,118			RK73HB1J103J	CHIP R 10K J 1/16W	
R120,121			RK73HB1J123J	CHIP R 12K J 1/16W	
R122,123			RK73HB1J1R0J	CHIP R 1.0 J 1/16W	
W1-4			R92-1252-05	CHIP R 0 OHM J 1/16W	

Ref. No.	Add	New	Parts No.	Description	Destination
S3-5			S68-0895-05	PUSH SWITCH	
D1,2			MAZS0510M	ZENER DIODE	
D3			MA4ZD03	DIODE	
D4-6			DAP202U	DIODE	
D7			MA2S111	DIODE	
IC1			AN22022A-V	ANALOGUE IC	
IC2			AN41204A	ANALOGUE IC	
IC3			M29W400DB55N6E	ROM IC	
IC4			MN103S71F	MOS-IC	
IC5			S-80829CNPF	ANALOGUE IC	
IC8			S-80813CNPF	ANALOGUE IC	
IC9			NJM2880U115	ANALOGUE IC	
IC10			NJM2886DL2-33	ANALOGUE IC	
IC11			S-24CS04AFT	ROM IC	
Q1,2			2SK3018	FET	
Q7,8			2SB0970	TRANSISTOR	
Q9,10			2SJ0536	FET	
Q11-14			DTA114YUA	DIGITAL TRANSISTOR	
TH1			TH11-3H103FT	THERMISTOR	

## DVD MECHANISM ASSY (X92-5130-00)

Ref. No.	Add	New	Parts No.	Description	Destination
1		1B	A10-5084-31	CHASSIS	
2		2B	A10-5083-21	CHASSIS ASSY	
3		3B	A11-1631-21	SUB CHASSIS	
4		1B	D10-4763-32	ARM	
5		1B	D10-4764-23	ARM	
7		2B	D10-4768-12	SLIDER	
8		2B	D10-4769-03	SLIDER	
9		2A	D10-4771-02	SLIDER	
10		2A	D10-4772-03	SLIDER	
11		2A	D10-4773-13	SLIDER	
12		2B	D10-4774-03	LEVER	
13		2B	D10-4776-23	ARM	
14		3A	D10-4795-23	ARM	
17		3B	D12-0638-13	CAM	
21		2B	D13-2298-04	GEAR	
22		2B	D13-2299-04	GEAR	
23		2B	D13-2303-04	GEAR	
24		2B	D13-2305-04	GEAR	
25		2B	D13-2306-04	GEAR	
26		1A	D13-2308-04	GEAR	
27		1A	D13-2309-04	GEAR	
28		3B	D13-2316-24	GEAR ASSY	
29		2B	D13-2300-14	GEAR	
30		2A	D14-0799-14	ROLLER	
31		2A	D14-1006-04	ROLLER	
33		3A	D21-2429-13	SHAFT	
36		1A	D39-0259-05	DAMPER	
37		2B	E39-0556-05	LEAD WIRE	
VFC1		2A	E39-0602-05	FLAT CABLE	
38		3A	F07-1134-12	COVER	
39		3A	F09-1930-14	SHEET	
40		3A	F09-1960-04	SHEET	
44		3A	F09-1870-04	SHEET	

E5 : KVT-627DVD E6 : KVT-627DVDY (Europe)  
K1 : KVT-717DVD (North America)  
X2 : KVT-747DVD (Australia) R1 : KVT-747DVD (Latin America)  
C1 : KVT-767DVD (China) M2 : KVT-737DVD (Other Areas)

△ Indicates safety critical components.

