

## PARTS LIST

\* New Parts. Δ indicates safety critical components.

Parts without **Parts No.** are not supplied.

Les articles non mentionnés dans le **Parts No.** ne sont pas fournis.

Teile ohne **Parts No.** werden nicht geliefert.

L : Scandinavia

Y : PX (Far East, Hawaii)

C : China

K : USA

T : England

X : Australia

P : Canada

E : Europe

M : Other Areas

**TK-8302/8302(U)/8302H/8302H(U)**

**DISPLAY UNIT (X54-3670-20)**

**TX-RX UNIT (X57-7680-XX)**

Ref. No.	Address	New parts	Parts No.	Description	Desti-nation
<b>TK-8302/8302(U)/8302H/8302H(U)</b>					
1	1B	*	A02-4073-21	PLASTIC CABINET	
2	3A		A62-1171-03	PANEL ASSY	
4	2B		B09-0732-03	CAP (D-SUB)	
5	3A		B10-2794-03	FRONT GLASS	
6	3A		B43-1629-04	BADGE	
7	2D	*	B62-2150-10	INSTRUCTION MANUAL	M2,M,HM
7	2D	*	B62-2167-10	INSTRUCTION MANUAL	HK2,K,HK
7	2D	*	B62-2167-10	INSTRUCTION MANUAL	HUK
8	2B		E04-0167-15	RF COAXIAL RECEPTACLE (M)	
9	2A	*	E23-1344-04	GROUND TERMINAL (AF AMP)	
10	1C		E30-7523-55	DC CORD ASSY ACCESSORY	
11	2B		E30-7684-05	DC CORD	
12	2A		E37-1461-05	FLAT CABLE (30P PANEL)	
14	1C		F52-0023-05	FUSE (BLADE TYPE)10A ACCESSORY	M2,M,K
14	1C		F52-0024-05	FUSE (BLADE TYPE)15A ACCESSORY	HK2,HM,HK
14	1C		F52-0024-05	FUSE (BLADE TYPE)15A ACCESSORY	HUK
16	2B		G53-1643-04	PACKING (DC CORD)	
17	2B		G53-1662-04	PACKING (RECEPTACLE)	
18	1B		G53-1819-21	PACKING (CHASSIS)	
19	3A		G53-1820-03	PACKING (PANEL)	
21	1C,1D		H12-3178-05	PACKING FIXTURE	
22	2D	*	H52-2310-12	ITEM CARTON CASE	
24	3D		J19-1584-15	HOLDER (MIC HANGER)	HK2,K,HK
24	3D		J19-1584-15	HOLDER (MIC HANGER)	HUK
25	3B		J19-5528-03	HOLDER (SPEAKER)	
26	1C		J29-0726-03	BRACKET ACCESSORY	
28	3A		K29-9448-01	KEY TOP	
A	1A,1B		N35-2604-43	BINDING HEAD MACHINE SCREW	
B	1A,2A,2B		N67-3008-48	PAN HEAD SEMS SCREW	
C	3A,3B		N80-2008-48	PAN HEAD TAPTITE SCREW	
D	2A,2B		N87-2608-48	BRAZIER HEAD TAPTITE SCREW	
30	3D		N99-2039-05	SCREW SET ACCESSORY	
32	3A		T07-0785-05	SPEAKER	
33	2C		T91-0624-65	MICROPHONE (KMC-30) ACCESSORY	HK2,HK
34	2C		T91-0639-55	MICROPHONE (KMC-35) ACCESSORY	K,HUK

### DISPLAY UNIT (X54-3670-20)

D1-5			B30-2282-05	LED (Y)	
D22	3A		B30-2321-05	LED (BLUE LED)	
D23	3A		B30-2151-05	LED (RED/GREEN)	
C1			CK73HB1E103K	CHIP C 0.010UF K	
C8			CC73HCH1H101J	CHIP C 100PF J	
C9			CK73HB1H102K	CHIP C 1000PF K	
C10			CK73HB1E103K	CHIP C 0.010UF K	
C16			CK73HB1E103K	CHIP C 0.010UF K	
C27			CC73HCH1H101J	CHIP C 100PF J	
C29-36			CK73HB1H102K	CHIP C 1000PF K	
C38,39			CC73HCH1H101J	CHIP C 100PF J	
C40			CK73HB1H102K	CHIP C 1000PF K	

Ref. No.	Address	New parts	Parts No.	Description	Desti-nation
C41,42			CC73HCH1H101J	CHIP C 100PF J	
C43-46			CK73HB1H471K	CHIP C 470PF K	
C47			CK73HB1H102K	CHIP C 1000PF K	
CN1			E40-6851-05	FLAT CABLE CONNECTOR	
CN2			E23-1262-05	TERMINAL	
J1	3A		E58-0535-05	MODULAR JACK	
101	3A	*	J31-0565-15	COLLAR	
L1			L92-0138-05	CHIP FERRITE	
CP1			RK74HB1J102J	CHIP-COM 1.0K J 1/16W	
R1			RK73HB1J101J	CHIP R 100 J 1/16W	
R2			RK73FB2B100J	CHIP R 10 J 1/8W	
R3-8			RK73HB1J102J	CHIP R 1.0K J 1/16W	
R10,11			RK73HB1J102J	CHIP R 1.0K J 1/16W	
R12			RK73HB1J122J	CHIP R 1.2K J 1/16W	
R21			RK73HB1J222J	CHIP R 2.2K J 1/16W	
R22			RK73HB1J820J	CHIP R 82 J 1/16W	
R23			RK73HB1J121J	CHIP R 120 J 1/16W	
R26,27			RK73HB1J000J	CHIP R 0.0 J 1/16W	
R28,29			RK73HB1J103J	CHIP R 10K J 1/16W	
R34			RK73HB1J102J	CHIP R 1.0K J 1/16W	
R35			RK73HB1J223J	CHIP R 22K J 1/16W	
R36			RK73HB1J822J	CHIP R 8.2K J 1/16W	
R37,38			RK73HB1J100J	CHIP R 10 J 1/16W	
R39			RK73HB1J150J	CHIP R 15 J 1/16W	
R40			RK73HB1J100J	CHIP R 10 J 1/16W	
R41			RK73HB1J222J	CHIP R 2.2K J 1/16W	
R42			RK73HB1J102J	CHIP R 1.0K J 1/16W	
D20			DA221	DIODE	
D33			02DZ6.2F-Y	ZENER DIODE	
D37	3A		HDSP-521A	LED	
IC1			TCA62746AFNAG	MOS-IC	
Q1,2			RT1N441U	TRANSISTOR	
Q3			KRA225S	DIGITAL TRANSISTOR	
Q4			KRC102S-P	DIGITAL TRANSISTOR	
Q5,6			2SC3928A	TRANSISTOR	
Q7,8			RT1P141U	TRANSISTOR	
Q9			2SC3928A	TRANSISTOR	

### TX-RX UNIT (X57-7680-XX) -13: K -14: HK -15: HK2 -17: HUK -22: M -23: M2 -24: HM

C2			CC73HCH1H020B	CHIP C 2.0PF B	
C4			CC73HCH1H101J	CHIP C 100PF J	
C5			CK73HB1H471K	CHIP C 470PF K	
C7			CC73HCH1H101J	CHIP C 100PF J	
C8			CC73GCH1H101J	CHIP C 100PF J	
C10			CK73HB1A104K	CHIP C 0.10UF K	
C11			CC73HCH1H101J	CHIP C 100PF J	
C14			CC73HCH1H101J	CHIP C 100PF J	
C15			CC73HCH1H080B	CHIP C 8.0PF B	
C16			CK73HBOJ105K	CHIP C 1.0UF K	
C17,18			CK73HB1A104K	CHIP C 0.10UF K	
C19,20			CK73HB1E103K	CHIP C 0.010UF K	
C22			CK73FBOJ106K	CHIP C 10UF K	

K: TK-8302(U) K HK: TK-8302H K HK2: TK-8302H K2

HUK: TK-8302H(U) K M: TK-8302 M M2: TK-8302 M2 HM: TK-8302H M

## PARTS LIST

## TX-RX UNIT (X57-7680-XX)

Ref. No.	Address	New parts	Parts No.	Description	Destination	Ref. No.	Address	New parts	Parts No.	Description	Destination
C23			CK73HB1A104K	CHIP C 0.10UF K		C94			CK73HB1H471K	CHIP C 470PF K	
C24			CK73FB0J106K	CHIP C 10UF K		C95			CK73HB1A104K	CHIP C 0.10UF K	
C26			CK73HB1C103K	CHIP C 0.010UF K		C98			CK73GB1H471K	CHIP C 470PF K	
C27			CK73HB1A104K	CHIP C 0.10UF K		C99			CK73HB1H471K	CHIP C 470PF K	
C28			CC73HCH1H3R5B	CHIP C 3.5PF B		C100			CC73HCH1H0R5B	CHIP C 0.5PF B	
C29			C92-0863-05	CHIP TNTL 0.047UF 35WV		C102			CC73HCH1H050B	CHIP C 5.0PF B	
C32			CK73HB1H471K	CHIP C 470PF K		C300			CC73GCH1H060B	CHIP C 6.0PF B	M,HM,K
C33			CC73HCH1H020B	CHIP C 2.0PF B		C300			CC73GCH1H060B	CHIP C 6.0PF B	HK,HUK
C34			CC73HCH1H101J	CHIP C 100PF J		C300			CC73GCH1H150J	CHIP C 15PF J	M2,HK2
C35			CC73HCH1H3R5B	CHIP C 3.5PF B		C301			CC73HCH1H060B	CHIP C 6.0PF B	
C36			CK73GB1H102K	CHIP C 1000PF K		C302			CC73HCH1H110J	CHIP C 11PF J	
C37			CK73HB1H471K	CHIP C 470PF K		C303			CC73HCH1H240J	CHIP C 24PF J	M,HM,K
C41			CC73HCH1H330J	CHIP C 33PF J		C303			CC73HCH1H240J	CHIP C 24PF J	HK,HUK
C43			CS77CA1V0R1M	CHIP TNTL 0.1UF 35WV		C303			CC73HCH1H330J	CHIP C 33PF J	M2,HK2
C45			C92-0588-05	CHIP TNTL 1.5UF 16WV		C305			CK73HB1H471K	CHIP C 470PF K	
C46			CK73HB1H471K	CHIP C 470PF K		C307			CK73HB1H102K	CHIP C 1000PF K	
C48			C93-0787-05	CERAMIC 0.1UF 50WV		C313			CK73HB1H471K	CHIP C 470PF K	
C49			C92-0863-05	CHIP TNTL 0.047UF 35WV		C314			CC73HCH1H110J	CHIP C 11PF J	M,HM,K
C52			CK73HB1H471K	CHIP C 470PF K		C314			CC73HCH1H110J	CHIP C 11PF J	HK,HUK
C54			CC73HCH1H470J	CHIP C 47PF J		C314			CC73HCH1H120J	CHIP C 12PF J	M2,HK2
C56			CC73HCH1H470J	CHIP C 47PF J		C315			CK73HB1C223K	CHIP C 0.022UF K	
C57,58			CK73HB1H471K	CHIP C 470PF K		C316			CC73HCH1H1R5B	CHIP C 1.5PF B	
C59			CK73FB0J106K	CHIP C 10UF K		C320			CK73GB1H471K	CHIP C 470PF K	
C61			CC73HCH1H110J	CHIP C 11PF J	M,HM,K	C322			CK73GB1H271K	CHIP C 270PF K	
C61			CC73HCH1H110J	CHIP C 11PF J	HK,HUK	C333			CK73HB1H471K	CHIP C 470PF K	
C61			CC73HCH1H120J	CHIP C 12PF J	M2,HK2	C336			CK73GB1H221K	CHIP C 220PF K	
C62			CC73HCH1H150J	CHIP C 15PF J		C338			CC73GCH1H220J	CHIP C 22PF J	
C63			CC73HCH1H101J	CHIP C 100PF J		C339			CK73GB1H102K	CHIP C 1000PF K	
C64			CC73HCH1H0R5B	CHIP C 0.5PF B		C340,341			CC73GCH1H101J	CHIP C 100PF J	
C65,66			CC73HCH1H101J	CHIP C 100PF J		C342			CK73HB1A104K	CHIP C 0.10UF K	M2,HK2
C67,68			CK73GB1H471K	CHIP C 470PF K		C342			CK73HB1A154K	CHIP C 0.15UF K	HM,HK,HUK
C69			CC73HCH1H040B	CHIP C 4.0PF B	M,HM,K	C342			CK73HB1A683K	CHIP C 0.068UF K	M,K
C69			CC73HCH1H040B	CHIP C 4.0PF B	HK,HUK	C344			CK73GB1H471K	CHIP C 470PF K	
C69			CC73HCH1H050B	CHIP C 5.0PF B	M2,HK2	C348			CC73GCH1H470J	CHIP C 47PF J	
C70			CC73HCH1H020B	CHIP C 2.0PF B	M,HM,K	C350			CC73GCH1H220J	CHIP C 22PF J	
C70			CC73HCH1H020B	CHIP C 2.0PF B	HK,HUK	C351			C93-0553-05	CHIP C 3.0PF C	HM,HK,HUK
C70			CC73HCH1H2R5B	CHIP C 2.5PF B	M2,HK2	C351			C93-0554-05	CHIP C 4.0PF C	M2,HK2
C71,72			CK73GB1H471K	CHIP C 470PF K		C351			C93-0555-05	CHIP C 5.0PF C	M,K
C73			CC73HCH1H060B	CHIP C 6.0PF B		C353			C93-0552-05	CHIP C 2.0PF C	M2,HK2
C74			CC73HCH1H080B	CHIP C 8.0PF B		C354			CK73HB1A104K	CHIP C 0.10UF K	
C75			CC73HCH1H040B	CHIP C 4.0PF B	M,HM,K	C355			CK73GB1H471K	CHIP C 470PF K	
C75			CC73HCH1H040B	CHIP C 4.0PF B	HK,HUK	C360			CK73GB1H471K	CHIP C 470PF K	
C75			CC73HCH1H050B	CHIP C 5.0PF B	M2,HK2	C361,362			CK73GB1H103K	CHIP C 0.010UF K	
C76			CC73HCH1H060B	CHIP C 6.0PF B		C363			CC73GCH1H040B	CHIP C 4.0PF B	M2,HK2
C77			CK73HB1H471K	CHIP C 470PF K		C363			CC73GCH1H3R5B	CHIP C 3.5PF B	M,HM,K
C78			CC73HCH1H0R3B	CHIP C 0.3PF B		C363			CC73GCH1H3R5B	CHIP C 3.5PF B	HK,HUK
C79			CC73HCH1H0R5B	CHIP C 0.5PF B		C364			C93-0550-05	CHIP C 1.0PF C	M,HM,K
C80			CS77BB21C100M	CHIP TNTL 10UF 16WV		C364			C93-0550-05	CHIP C 1.0PF C	HK,HUK
C81-83			CK73HB1H471K	CHIP C 470PF K		C364			C93-0551-05	CHIP C 1.5PF C	M2
C84			CC73HCH1H040B	CHIP C 4.0PF B	M,HM,K	C364			C93-0553-05	CHIP C 3.0PF C	HK2
C84			CC73HCH1H040B	CHIP C 4.0PF B	HK,HUK	C365,366			C93-0603-05	CHIP C 1000PF K	
C84			CC73HCH1H060B	CHIP C 6.0PF B	M2,HK2	C367			CC73GCH1H070B	CHIP C 7.0PF B	M2,HK2
C85			CC73HCH1H020B	CHIP C 2.0PF B		C367			CC73GCH1H100C	CHIP C 10PF C	HM,HK,HUK
C86			CC73GCH1H020B	CHIP C 2.0PF B		C367			CC73GCH1H110G	CHIP C 11PF G	M,K
C87-89			CK73HB1H471K	CHIP C 470PF K		C368			CC73GCH1H240J	CHIP C 24PF J	M,HM,K
C90			CC73GCH1H020B	CHIP C 2.0PF B	M,HM,K	C368			CC73GCH1H240J	CHIP C 24PF J	HK,HUK
C90			CC73GCH1H020B	CHIP C 2.0PF B	HK,HUK	C368			CC73GCH1H270J	CHIP C 27PF J	M2,HK2
C90			CC73GCH1H2R5B	CHIP C 2.5PF B	M2,HK2	C372			C93-0552-05	CHIP C 2.0PF C	HK2,HM,HK
C91			CK73HB1H471K	CHIP C 470PF K		C372			C93-0552-05	CHIP C 2.0PF C	HUK
C92			CK73HB1C103K	CHIP C 0.010UF K		C372			C93-0553-05	CHIP C 3.0PF C	M,K

## PARTS LIST

TX-RX UNIT (X57-7680-XX)

Ref. No.	Address	New parts	Parts No.	Description	Desti-nation	Ref. No.	Address	New parts	Parts No.	Description	Desti-nation
C372			C93-0554-05	CHIP C 4.0PF C	M2	C569			CK73HB1H471K	CHIP C 470PF K	
C373			C93-0550-05	CHIP C 1.0PF C	M2,HK2,HM	C570			CC73HCH1H150J	CHIP C 15PF J	M,HM,K
C373			C93-0550-05	CHIP C 1.0PF C	HK,HUK	C570			CC73HCH1H150J	CHIP C 15PF J	HK,HUK
C373			C93-0551-05	CHIP C 1.5PF C	M,K	C570			CC73HCH1H680J	CHIP C 68PF J	M2,HK2
C374			CM73F2H040D	CHIP C 4.0PF D	HM,HK,HUK	C571			CC73HCH1H030B	CHIP C 3.0PF B	
C374			CM73F2H050D	CHIP C 5.0PF D	M,K	C572			CC73HCH1H0R5B	CHIP C 0.5PF B	M,HM,K
C374			CM73F2H070D	CHIP C 7.0PF D	M2,HK2	C572			CC73HCH1H0R5B	CHIP C 0.5PF B	HK,HUK
C376			CK73GB1H102K	CHIP C 1000PF K		C572			CC73HCH1H010B	CHIP C 1.0PF B	M2,HK2
C381			C93-0550-05	CHIP C 1.0PF C	HM,HK,HUK	C573			CC73HCH1H040B	CHIP C 4.0PF B	M2,HK2
C381			C93-0551-05	CHIP C 1.5PF C	M2,HK2,M	C573			CC73HCH1H4R5B	CHIP C 4.5PF B	M,HM,K
C381			C93-0551-05	CHIP C 1.5PF C	K	C573			CC73HCH1H4R5B	CHIP C 4.5PF B	HK,HUK
C383			C93-0553-05	CHIP C 3.0PF C		C574			CC73HCH1H150J	CHIP C 15PF J	M,HM,K
C384			CK73GB1H102K	CHIP C 1000PF K		C574			CC73HCH1H150J	CHIP C 15PF J	HK,HUK
C391,392			CK73HB1H471K	CHIP C 470PF K		C574			CC73HCH1H680J	CHIP C 68PF J	M2,HK2
C500			CC73HCH1H470J	CHIP C 47PF J		C575			CC73HCH1H020B	CHIP C 2.0PF B	M2,HK2
C501			CC73HCH1H180J	CHIP C 18PF J		C575			CC73HCH1H1R5B	CHIP C 1.5PF B	M,HM,K
C503			CK73HB1H561K	CHIP C 560PF K		C575			CC73HCH1H1R5B	CHIP C 1.5PF B	HK,HUK
C504			CK73HB1C103K	CHIP C 0.010UF K		C576			CK73HB1H102K	CHIP C 1000PF K	
C505			CC73HCH1H300J	CHIP C 30PF J		C577			CC73HCH1H010B	CHIP C 1.0PF B	
C506			CC73HCH1H100B	CHIP C 10PF B		C578			CC73HCH1H150J	CHIP C 15PF J	M,HM,K
C508			CC73HCH1H270J	CHIP C 27PF J		C578			CC73HCH1H150J	CHIP C 15PF J	HK,HUK
C509			CK73HB1C103K	CHIP C 0.010UF K		C578			CC73HCH1H680J	CHIP C 68PF J	M2,HK2
C510-515			CK73HB1A104K	CHIP C 0.10UF K		C581			CC73HCH1H030B	CHIP C 3.0PF B	M2,HK2
C516			CK73HB1H471K	CHIP C 470PF K		C581			CC73HCH1H2R5B	CHIP C 2.5PF B	M,HM,K
C517			CK73HB1E103K	CHIP C 0.010UF K		C581			CC73HCH1H2R5B	CHIP C 2.5PF B	HK,HUK
C518			CK73HB1H271K	CHIP C 270PF K		C582,583			CK73HB1H471K	CHIP C 470PF K	
C519			CK73FB0J106K	CHIP C 10UF K		C585			CK73HB1A104K	CHIP C 0.10UF K	
C520			CK73HB1H271K	CHIP C 270PF K		C586			CK73HB1H471K	CHIP C 470PF K	
C521,522			CK73HB1A104K	CHIP C 0.10UF K		C587			CK73GB1A105K	CHIP C 1.0UF K	
C523			CK73GB1C104K	CHIP C 0.10UF K		C588-591			CK73HB1H471K	CHIP C 470PF K	
C524			CK73HB1H102K	CHIP C 1000PF K		C592			CC73GCH1H471J	CHIP C 470PF J	
C525			CK73GB0J475K	CHIP C 4.7UF K		C593			CC73HCH1H2R5B	CHIP C 2.5PF B	
C526			CK73HB1H102K	CHIP C 1000PF K		C594			CC73HCH1H150J	CHIP C 15PF J	M,HM,K
C527			CC73HCH1H680J	CHIP C 68PF J		C594			CC73HCH1H150J	CHIP C 15PF J	HK,HUK
C528			CC73GCH1H330J	CHIP C 33PF J		C594			CC73HCH1H470J	CHIP C 47PF J	M2,HK2
C529			CK73HB1E103K	CHIP C 0.010UF K		C595			CC73HCH1H040B	CHIP C 4.0PF B	M2,HK2
C530			CK73HB1A104K	CHIP C 0.10UF K		C595			CC73HCH1H1R5B	CHIP C 1.5PF B	M,HM,K
C531			CK73HB1H471K	CHIP C 470PF K		C595			CC73HCH1H1R5B	CHIP C 1.5PF B	HK,HUK
C535			CK73HB1H471K	CHIP C 470PF K		C596			CK73HB1H102K	CHIP C 1000PF K	
C538			CK73HB1E103K	CHIP C 0.010UF K		C597			CC73HCH1H020B	CHIP C 2.0PF B	M,HM,K
C541			CK73HB1E103K	CHIP C 0.010UF K		C597			CC73HCH1H020B	CHIP C 2.0PF B	HK,HUK
C543			CC73HCH1H010B	CHIP C 1.0PF B		C597			CC73HCH1H050B	CHIP C 5.0PF B	M2,HK2
C545			CC73HCH1H150J	CHIP C 15PF J	M,HM,K	C598			CC73HCH1H150J	CHIP C 15PF J	M,HM,K
C545			CC73HCH1H150J	CHIP C 15PF J	HK,HUK	C598			CC73HCH1H150J	CHIP C 15PF J	HK,HUK
C545			CC73HCH1H180J	CHIP C 18PF J	M2,HK2	C598			CC73HCH1H470J	CHIP C 47PF J	M2,HK2
C546			CC73HCH1H030B	CHIP C 3.0PF B		C599			CC73HCH1H040B	CHIP C 4.0PF B	M,HM,K
C550			CK73HB1E103K	CHIP C 0.010UF K		C599			CC73HCH1H040B	CHIP C 4.0PF B	HK,HUK
C551			CK73GB1A334K	CHIP C 0.33UF K		C599			CC73HCH1H050B	CHIP C 5.0PF B	M2,HK2
C553			CK73HB1A104K	CHIP C 0.10UF K		C601			CC73HCH1H200G	CHIP C 20PF G	M2,HK2
C554			CC73HCH1H040B	CHIP C 4.0PF B		C601			CC73HCH1H300J	CHIP C 30PF J	M,HM,K
C555			CK73HB1H471K	CHIP C 470PF K		C601			CC73HCH1H300J	CHIP C 30PF J	HK,HUK
C556			CC73HCH1H110J	CHIP C 11PF J	M,HM,K	C603			CC73HCH1H040B	CHIP C 4.0PF B	M,HM,K
C556			CC73HCH1H110J	CHIP C 11PF J	HK,HUK	C603			CC73HCH1H040B	CHIP C 4.0PF B	HK,HUK
C556			CC73HCH1H150G	CHIP C 15PF G	M2,HK2	C603			CC73HCH1H080B	CHIP C 8.0PF B	M2,HK2
C557			CK73HB1E103K	CHIP C 0.010UF K		C604			CC73HCH1H030B	CHIP C 3.0PF B	M,HM,K
C558			CK73HB1H471K	CHIP C 470PF K		C604			CC73HCH1H030B	CHIP C 3.0PF B	HK,HUK
C559			CK73GB1H471K	CHIP C 470PF K		C604			CC73HCH1H050B	CHIP C 5.0PF B	M2,HK2
C560,561			CK73HB1H471K	CHIP C 470PF K		C606			CK73HB1H471K	CHIP C 470PF K	
C562			CK73HB1E103K	CHIP C 0.010UF K		C700-709			CK73HB1H471K	CHIP C 470PF K	
C563-565			CK73HB1H471K	CHIP C 470PF K		C711			CK73HB1H471K	CHIP C 470PF K	

K: TK-8302(U) K HK: TK-8302H K HK2: TK-8302H K2  
HUK: TK-8302H(U) K M: TK-8302 M M2: TK-8302 M2 HM: TK-8302H M

## PARTS LIST

## TX-RX UNIT (X57-7680-XX)

Ref. No.	Address	New parts	Parts No.	Description	Destination	Ref. No.	Address	New parts	Parts No.	Description	Destination
C713			CK73HB1H471K	CHIP C 470PF K		C820			CK73HB1H102K	CHIP C 1000PF K	
C715			CK73HB1H471K	CHIP C 470PF K		C821			CK73GB1A105K	CHIP C 1.0UF K	
C717			CK73HB1H471K	CHIP C 470PF K		C822			CK73HB0J105K	CHIP C 1.0UF K	
C719			CK73HB1H471K	CHIP C 470PF K		C824			CS77AB21C220M	CHIP TNL 22UF 16WV	
C721			CK73HB1H471K	CHIP C 470PF K		C825			CK73HB1A104K	CHIP C 0.10UF K	
C723			CK73HB1H471K	CHIP C 470PF K		C828,829			CK73HB1A104K	CHIP C 0.10UF K	
C725			CK73HB1H471K	CHIP C 470PF K		C831			CK73HB1A104K	CHIP C 0.10UF K	
C727			CK73HB1H471K	CHIP C 470PF K		C832			CK73GB1A224K	CHIP C 0.22UF K	
C729			CK73HB1H471K	CHIP C 470PF K		C833			CK73HB1H102K	CHIP C 1000PF K	
C731,732			CK73HB1H471K	CHIP C 470PF K		C835			CK73GB1H102K	CHIP C 1000PF K	
C735			CK73HB1A104K	CHIP C 0.10UF K		C837,838			CK73HB1H102K	CHIP C 1000PF K	
C736			CK73GB0J475K	CHIP C 4.7UF K		C839			CS77AB21C4R7M	CHIP TNL 4.7UF 16WV	
C739			CK73GB1C104K	CHIP C 0.10UF K		C840			CK73GB1H102K	CHIP C 1000PF K	
C740			CK73HB1A104K	CHIP C 0.10UF K		C841			CK73GB1A105K	CHIP C 1.0UF K	
C743			CK73HB1C333K	CHIP C 0.033UF K		C842			CS77AA1A100M	CHIP TNL 10UF 10WV	
C744			CK73HB1H471K	CHIP C 470PF K		C843			C92-0873-05	ELECTRO 47UF 16WV	
C745			CK73HB1H271K	CHIP C 270PF K		C844			CK73HB1H102K	CHIP C 1000PF K	
C746			CK73FB0J106K	CHIP C 10UF K		C845			CK73HB1E103K	CHIP C 0.010UF K	
C747			CK73HB1A104K	CHIP C 0.10UF K		C846			CK73GB1H102K	CHIP C 1000PF K	
C748			CC73HCH1H680J	CHIP C 68PF J		C847			CK73HB1H102K	CHIP C 1000PF K	
C749,750			CK73HB1A104K	CHIP C 0.10UF K		C849		*	C92-0716-05	ELECTRO 220UF 16WV	
C751			CC73HCH1H820J	CHIP C 82PF J		C850			CK73GB1H102K	CHIP C 1000PF K	
C753			CK73GB0J106K	CHIP C 10UF K		C851			CK73GB1A105K	CHIP C 1.0UF K	
C754,755			CK73HB1A104K	CHIP C 0.10UF K		C852			CK73HB1E103K	CHIP C 0.010UF K	
C756			CC73HCH1H391J	CHIP C 390PF J		C853,854			CK73HB1H102K	CHIP C 1000PF K	
C758			CK73HB1H471K	CHIP C 470PF K		C855			CK73GB1H102K	CHIP C 1000PF K	
C760			CK73HB0J105K	CHIP C 1.0UF K		C856			CK73HB1A104K	CHIP C 0.10UF K	
C762,763			CK73HB1A104K	CHIP C 0.10UF K		C857			CC73HCH1H220J	CHIP C 22PF J	
C764			CK73HB1E103K	CHIP C 0.010UF K		C858			CK73GB1H221K	CHIP C 220PF K	
C765			CK73GB0J106K	CHIP C 10UF K		C859			CC73HCH1H470J	CHIP C 47PF J	
C767			CK73GB1C104K	CHIP C 0.10UF K		C860			CC73HCH1H101J	CHIP C 100PF J	
C768			CK73GB1H471K	CHIP C 470PF K		C861			CK73GB1H471K	CHIP C 470PF K	
C769			CK73HB0J105K	CHIP C 1.0UF K		C862			CK73HB1H102K	CHIP C 1000PF K	
C770			CK73FB0J106K	CHIP C 10UF K		C863			CC73HCH1H220J	CHIP C 22PF J	
C771			CC73HCH1H101J	CHIP C 100PF J		C864			CC73GCH1H470J	CHIP C 47PF J	
C772			CK73HB0J105K	CHIP C 1.0UF K		C865			CC73HCH1H220J	CHIP C 22PF J	
C773			CC73HCH1H101J	CHIP C 100PF J		C866			CK73GB1H102K	CHIP C 1000PF K	
C774			CK73HB0J105K	CHIP C 1.0UF K		C867			CK73GB1H471K	CHIP C 470PF K	
C775			CC73HCH1H391J	CHIP C 390PF J		C868			CK73HB1A334K	CHIP C 0.33UF K	
C777			CK73HB0J105K	CHIP C 1.0UF K		C869			CK73GB1H221K	CHIP C 220PF K	
C778			CK73HB1E562K	CHIP C 5600PF K		C870			CK73HB1H102K	CHIP C 1000PF K	
C779			CK73HB1E103K	CHIP C 0.010UF K		C871			CC73HCH1H010B	CHIP C 1.0PF B	M2,HK2
C780			CK73HB1A683K	CHIP C 0.068UF K		C871			CC73HCH1H020B	CHIP C 2.0PF B	M,HM,K
C784			CK73GB0J106K	CHIP C 10UF K		C871			CC73HCH1H020B	CHIP C 2.0PF B	HK,HUK
C785			CK73HB1H102K	CHIP C 1000PF K		C874			CK73GB0J105K	CHIP C 1.0UF K	
C787			CK73HB1H332K	CHIP C 3300PF K		C875-877			CK73HB0J105K	CHIP C 1.0UF K	
C788			CK73HB1A683K	CHIP C 0.068UF K		C878			CC73HCH1H100D	CHIP C 10PF D	
C790			CK73GB1H102K	CHIP C 1000PF K		C879			CC73HCH1H040B	CHIP C 4.0PF B	
C792-794			CK73HB1H471K	CHIP C 470PF K		C880			CK73HB1H102K	CHIP C 1000PF K	
C795			CK73GB1H102K	CHIP C 1000PF K		C881			CK73HB0J105K	CHIP C 1.0UF K	
C796			CK73HB0J105K	CHIP C 1.0UF K		C882			CK73GB1A105K	CHIP C 1.0UF K	
C797			CK73HB1H102K	CHIP C 1000PF K		C883			CK73HB1A224K	CHIP C 0.22UF K	
C807			CK73HB1H102K	CHIP C 1000PF K		C884		*	C92-0716-05	ELECTRO 220UF 16WV	
C808			CK73HB1A105K	CHIP C 1.0UF K		C885,886			CK73GB1H102K	CHIP C 1000PF K	
C809			CK73GB1C104K	CHIP C 0.10UF K		C887			CK73HB1H471K	CHIP C 470PF K	
C810			CK73GB1H102K	CHIP C 1000PF K		C889-891			CK73HB1H471K	CHIP C 470PF K	
C813,814			CK73HB1H102K	CHIP C 1000PF K		C898			CK73HB1H471K	CHIP C 470PF K	
C816			CK73HB1A104K	CHIP C 0.10UF K		C915			CK73HB1H471K	CHIP C 470PF K	
C817			CK73HB1E103K	CHIP C 0.010UF K		C917			CC73HCH1H200J	CHIP C 20PF J	
C819			CS77AB21C220M	CHIP TNL 22UF 16WV		C918			CC73HCH1H121J	CHIP C 120PF J	

## PARTS LIST

TX-RX UNIT (X57-7680-XX)

Ref. No.	Address	New parts	Parts No.	Description	Destination	Ref. No.	Address	New parts	Parts No.	Description	Destination
C919			CC73HCH1H150J	CHIP C 15PF J		L300			L40-8265-71	SMALL FIXED INDUCTOR (8.2NH)	M,HM,K
C920			CK73HB1E103K	CHIP C 0.010UF K		L300			L40-8265-71	SMALL FIXED INDUCTOR (8.2NH)	HK,HUK
C921			CK73GB1A105K	CHIP C 1.0UF K		L301			L40-4768-71	SMALL FIXED INDUCTOR (4.7NH)	
C922			CK73HB1H102K	CHIP C 1000PF K		L302			L40-8265-92	SMALL FIXED INDUCTOR (8.2NH)	M2,HK2
C923			CK73HB1A104K	CHIP C 0.10UF K		L302-304			L40-1075-92	SMALL FIXED INDUCTOR (10NH)	M,HM,K
C924,925			CK73HB0J105K	CHIP C 1.0UF K		L302-304			L40-1075-92	SMALL FIXED INDUCTOR (10NH)	HK,HUK
C926,927			CK73HB1H102K	CHIP C 1000PF K		L303			L40-2775-92	SMALL FIXED INDUCTOR (27NH)	M2,HK2
C928			CK73HB1A104K	CHIP C 0.10UF K		L304			L40-1275-92	SMALL FIXED INDUCTOR (12NH)	M2
C929			CK73HB1H102K	CHIP C 1000PF K		L304,305			L40-1275-92	SMALL FIXED INDUCTOR (12NH)	HK2
C930			CK73HB1A104K	CHIP C 0.10UF K		L305			L40-1275-92	SMALL FIXED INDUCTOR (12NH)	M,HM,K
C931			CK73HB1H102K	CHIP C 1000PF K		L305			L40-1275-92	SMALL FIXED INDUCTOR (12NH)	HK,HUK
C932			CK73HB1A104K	CHIP C 0.10UF K		L305			L40-1875-92	SMALL FIXED INDUCTOR (18NH)	M2
C933			CK73HB1H471K	CHIP C 470PF K		L308-310			L92-0179-05	CHIP FERRITE	
C936			CC73HCH1H020B	CHIP C 2.0PF B		L311			L34-1039-05	AIR-CORE COIL	
C937			CK73HB1E103K	CHIP C 0.010UF K		L312			L34-4902-05	AIR-CORE COIL	
C938			CK73HB1H471K	CHIP C 470PF K		L313			L34-1039-05	AIR-CORE COIL	HM,HK,HUK
C939			CK73HB1A104K	CHIP C 0.10UF K		L313-315			L34-1039-05	AIR-CORE COIL	M2,HK2,M
C940			CK73FB0J106K	CHIP C 10UF K		L313-315			L34-1039-05	AIR-CORE COIL	K
C941			CK73HB1H471K	CHIP C 470PF K		L314,315			L34-1113-05	AIR-CORE COIL	HM,HK,HUK
C945			CK73GB1H471K	CHIP C 470PF K		L316			L34-4902-05	AIR-CORE COIL	
C947			CK73HB1H471K	CHIP C 470PF K		L501			L40-4781-86	SMALL FIXED INDUCTOR (0.47UH)	
C949			CC73HCH1H2R5B	CHIP C 2.5PF B	M2,HK2	L502			L40-3381-86	SMALL FIXED INDUCTOR (0.33UH)	
C950			CC73HCH1H101J	CHIP C 100PF J		L503			L40-5681-86	SMALL FIXED INDUCTOR (0.56UH)	
C952			CC73GCH1H220J	CHIP C 22PF J		L504			L40-1875-71	SMALL FIXED INDUCTOR (18NH)	
C953			CK73FB1E225K	CHIP C 2.2UF K		L505			L41-2785-39	SMALL FIXED INDUCTOR (0.27UH)	M,HM,K
C954,955			CK73HB1H102K	CHIP C 1000PF K		L505			L41-2785-39	SMALL FIXED INDUCTOR (0.27UH)	HK,HUK
C956			CK73HB1H471K	CHIP C 470PF K		L505,506			L41-4785-39	SMALL FIXED INDUCTOR (0.47UH)	M2,HK2
C957			CK73EB1E106K	CHIP C 10UF K		L506			L41-6885-39	SMALL FIXED INDUCTOR (0.68UH)	M,HM,K
C958			CK73HB0J105K	CHIP C 1.0UF K		L506			L41-6885-39	SMALL FIXED INDUCTOR (0.68UH)	HK,HUK
						L507			L40-1875-71	SMALL FIXED INDUCTOR (18NH)	
CN702			E40-5932-05	SOCKET FOR PIN ASSY		L511-513			L41-6868-14	SMALL FIXED INDUCTOR (6.8NH)	
CN724			E40-6847-05	FLAT CABLE CONNECTOR		L514			L41-2788-45	SMALL FIXED INDUCTOR (270NH)	
CN751			E23-1262-05	TERMINAL		L515			L40-1875-92	SMALL FIXED INDUCTOR (18NH)	
J700	1B		E58-0536-05	SUB SOCKET (D)		L517,518			L41-6868-14	SMALL FIXED INDUCTOR (6.8NH)	
J701	2A		E11-0425-05	3.5D PHONE JACK (3P)		L519			L41-8275-45	SMALL FIXED INDUCTOR (82NH)	
F700			F53-0327-15	FUZE (4A)		L700			L92-0443-05	CHIP FERRITE	
CD500			L79-1866-05	TUNING COIL		L702			L92-0443-05	CHIP FERRITE	
CF500			L72-0993-05	CERAMIC FILTER		L705			L40-1575-71	SMALL FIXED INDUCTOR (15NH)	
CF501			L72-0959-05	CERAMIC FILTER		L709			L92-0161-05	BEADS CORE	
L2			L41-4791-08	SMALL FIXED INDUCTOR (4.7NH)		L710			L40-2785-92	SMALL FIXED INDUCTOR (270NH)	
L3			L92-0442-05	CHIP FERRITE		X1			L77-3055-05	TCXO (19.2MHZ)	
L4			L92-0443-05	CHIP FERRITE		XF500			L71-0659-05	MCF (38.85MHZ)	
L5,6			L40-2785-92	SMALL FIXED INDUCTOR (270NH)		CP700-702			RK75HA1J102J	CHIP-COM 1.0K J 1/16W	
L7			L92-0163-05	BEADS CORE		CP704-706			RK75HA1J102J	CHIP-COM 1.0K J 1/16W	
L9			L92-0163-05	BEADS CORE		R3			RK73HB1J823J	CHIP R 82K J 1/16W	
L11-16			L40-2285-92	SMALL FIXED INDUCTOR (220NH)		R5-7			RK73HB1J102J	CHIP R 1.0K J 1/16W	
L17			L92-0443-05	CHIP FERRITE		R8			RK73HB1J152J	CHIP R 1.5K J 1/16W	
L18,19			L41-2278-14	SMALL FIXED INDUCTOR (22NH)	M,HM,K	R10			RK73HB1J100J	CHIP R 10 J 1/16W	
L18,19			L41-2278-14	SMALL FIXED INDUCTOR (22NH)	HK,HUK	R12			RK73HB1J100J	CHIP R 10 J 1/16W	
L18,19			L41-2778-14	SMALL FIXED INDUCTOR (27NH)	M2,HK2	R15			RK73HB1J473J	CHIP R 47K J 1/16W	
L20			L40-2702-86	SMALL FIXED INDUCTOR (27UH)		R20			RK73HB1J102J	CHIP R 1.0K J 1/16W	
L23			L40-2785-92	SMALL FIXED INDUCTOR (270NH)		R21			RK73HB1J182J	CHIP R 1.8K J 1/16W	
L24			L92-0443-05	CHIP FERRITE		R22			RK73HB1J000J	CHIP R 0.0 J 1/16W	
L25			L40-3375-71	SMALL FIXED INDUCTOR (33NH)	M2,HK2	R23			RK73HB1J223J	CHIP R 22K J 1/16W	
L25,26			L40-3375-71	SMALL FIXED INDUCTOR (33NH)	M,HM,K	R25			RK73HB1J000J	CHIP R 0.0 J 1/16W	
L25,26			L40-3375-71	SMALL FIXED INDUCTOR (33NH)	HK,HUK	R26			RK73HB1J153J	CHIP R 15K J 1/16W	
L26			L40-3975-71	SMALL FIXED INDUCTOR (39NH)	M2,HK2	R27,28			RK73HB1J000J	CHIP R 0.0 J 1/16W	
L34			L40-2702-86	SMALL FIXED INDUCTOR (27UH)		R29			RK73HB1J181J	CHIP R 180 J 1/16W	
L39			L40-1575-71	SMALL FIXED INDUCTOR (15NH)		R30			RK73HB1J000J	CHIP R 0.0 J 1/16W	
L300			L40-6865-71	SMALL FIXED INDUCTOR (6.8NH)	M2,HK2						

K: TK-8302(U) K HK: TK-8302H K HK2: TK-8302H K2  
HUK: TK-8302H(U) K M: TK-8302 M M2: TK-8302 M2 HM: TK-8302H M

## PARTS LIST

## TX-RX UNIT (X57-7680-XX)

Ref. No.	Address	New parts	Parts No.	Description	Destination	Ref. No.	Address	New parts	Parts No.	Description	Destination
R31			RK73HB1J225J	CHIP R 2.2M J 1/16W		R325			RK73GB2A121J	CHIP R 120 J 1/10W	HK,HUK
R32,33			RK73HB1J000J	CHIP R 0.0 J 1/16W		R325			RK73GB2A151J	CHIP R 150 J 1/10W	M2,HK2
R34			RK73HB1J272J	CHIP R 2.7K J 1/16W		R327			RK73HB1J101J	CHIP R 100 J 1/16W	
R35			RK73HB1J102J	CHIP R 1.0K J 1/16W		R329			RK73GB2A470J	CHIP R 47 J 1/10W	
R36			RK73HB1J154J	CHIP R 150K J 1/16W	M2,HK2	R330			RK73HB1J000J	CHIP R 0.0 J 1/16W	
R36			RK73HB1J683J	CHIP R 68K J 1/16W	M,HM,K	R331			RK73HB1J224J	CHIP R 220K J 1/16W	M2,HK2
R36			RK73HB1J683J	CHIP R 68K J 1/16W	HK,HUK	R331			RK73HB1J334J	CHIP R 330K J 1/16W	HM,HK,HUK
R37			RK73HB1J103J	CHIP R 10K J 1/16W		R331			RK73HB1J394J	CHIP R 390K J 1/16W	M,K
R38			RK73HB1J000J	CHIP R 0.0 J 1/16W		R333,334			RK73HB1J103J	CHIP R 10K J 1/16W	
R39			RK73HB1J473J	CHIP R 47K J 1/16W		R336			RK73HB1J000J	CHIP R 0.0 J 1/16W	
R40			RK73HB1J000J	CHIP R 0.0 J 1/16W		R338			RK73HB1J183J	CHIP R 18K J 1/16W	M2
R41			RK73HB1J393J	CHIP R 39K J 1/16W		R338			RK73HB1J223J	CHIP R 22K J 1/16W	HK2
R43			RK73HB1J393J	CHIP R 39K J 1/16W		R338			RK73HB1J333J	CHIP R 33K J 1/16W	M,HM,K
R45			RK73HB1J473J	CHIP R 47K J 1/16W		R338			RK73HB1J333J	CHIP R 33K J 1/16W	HK,HUK
R46			RK73HB1J391J	CHIP R 390 J 1/16W	M,HM,K	R341			RK73HB1J000J	CHIP R 0.0 J 1/16W	
R46			RK73HB1J391J	CHIP R 390 J 1/16W	HK,HUK	R342			RK73HB1J104J	CHIP R 100K J 1/16W	
R46,47			RK73HB1J391J	CHIP R 390 J 1/16W	M2,HK2	R343			RK73HB1J000J	CHIP R 0.0 J 1/16W	
R47			RK73HB1J681J	CHIP R 680 J 1/16W	M,HM,K	R345			RK73HB1J104J	CHIP R 100K J 1/16W	
R47			RK73HB1J681J	CHIP R 680 J 1/16W	HK,HUK	R346			RK73HB1J473J	CHIP R 47K J 1/16W	
R48			RK73GB2A104J	CHIP R 100K J 1/10W		R347			RK73GH2A201D	CHIP R 200 D 1/10W	M2,HK2
R49			RK73HB1J472J	CHIP R 4.7K J 1/16W		R347			RK73GH2A560D	CHIP R 56 D 1/10W	M,HM,K
R50			RK73HB1J680J	CHIP R 68 J 1/16W		R347			RK73GH2A560D	CHIP R 56 D 1/10W	HK,HUK
R51			RK73HB1J101J	CHIP R 100 J 1/16W	M2,HK2	R348			RK73HB1J104J	CHIP R 100K J 1/16W	
R51			RK73HB1J151J	CHIP R 150 J 1/16W	M,HM,K	R349			RK73HB1J000J	CHIP R 0.0 J 1/16W	
R51			RK73HB1J151J	CHIP R 150 J 1/16W	HK,HUK	R352			RK73GH2A201D	CHIP R 200 D 1/10W	
R52			RK73HB1J102J	CHIP R 1.0K J 1/16W		R353			RK73RB2H101J	CHIP R 100 J 1/2W	
R53			RK73HB1J124J	CHIP R 120K J 1/16W		R354,355			RK73GB2A000J	CHIP R 0.0 J 1/10W	
R54			RK73HB1J000J	CHIP R 0.0 J 1/16W		R357,358			RK73GB2A000J	CHIP R 0.0 J 1/10W	
R55			RK73HB1J101J	CHIP R 100 J 1/16W		R361			RK73GH2A121D	CHIP R 120 D 1/10W	
R57			RK73HB1J473J	CHIP R 47K J 1/16W	M2,HK2	R367			RK73GH2A181D	CHIP R 180 D 1/10W	
R57			RK73HB1J683J	CHIP R 68K J 1/16W	M,HM,K	R369,370			RK73HB1J104J	CHIP R 100K J 1/16W	
R57			RK73HB1J683J	CHIP R 68K J 1/16W	HK,HUK	R374	2B		R92-1061-05	JUMPER REST 0 OHM	
R58			RK73HB1J100J	CHIP R 10 J 1/16W	M2,HK2	R375			RK73HB1J104J	CHIP R 100K J 1/16W	
R58,59			RK73HB1J101J	CHIP R 100 J 1/16W	M,HM,K	R376			RK73HB1J103J	CHIP R 10K J 1/16W	
R58,59			RK73HB1J101J	CHIP R 100 J 1/16W	HK,HUK	R381			RK73GB2A102J	CHIP R 1.0K J 1/10W	
R59			RK73HB1J101J	CHIP R 100 J 1/16W	M2,HK2	R382-384			RK73HB1J000J	CHIP R 0.0 J 1/16W	
R60			RK73HB1J102J	CHIP R 1.0K J 1/16W	M,HM,K	R387,388			RK73HB1J104J	CHIP R 100K J 1/16W	
R60			RK73HB1J102J	CHIP R 1.0K J 1/16W	HK,HUK	R500			RK73HB1J122J	CHIP R 1.2K J 1/16W	
R60			RK73HB1J391J	CHIP R 390 J 1/16W	M2,HK2	R501			RK73HB1J334J	CHIP R 330K J 1/16W	
R61			RK73HB1J000J	CHIP R 0.0 J 1/16W		R502			RK73HB1J101J	CHIP R 100 J 1/16W	
R62			RK73HB1J222J	CHIP R 2.2K J 1/16W		R503-508			RK73HB1J103J	CHIP R 10K J 1/16W	
R63			RK73HB1J472J	CHIP R 4.7K J 1/16W		R509			RK73GB2A100J	CHIP R 10 J 1/10W	
R64			RK73GB2A472J	CHIP R 4.7K J 1/10W		R510			RK73HB1J272J	CHIP R 2.7K J 1/16W	
R65			RK73HB1J103J	CHIP R 10K J 1/16W		R511			RK73HB1J394J	CHIP R 390K J 1/16W	
R68,69			RK73HB1J000J	CHIP R 0.0 J 1/16W		R512			RK73HB1J272J	CHIP R 2.7K J 1/16W	
R73			RK73HB1J000J	CHIP R 0.0 J 1/16W		R513			RK73HB1J394J	CHIP R 390K J 1/16W	
R74			RK73HB1J560J	CHIP R 56 J 1/16W		R515			RK73GB2A472J	CHIP R 4.7K J 1/10W	
R75-78			RK73HB1J000J	CHIP R 0.0 J 1/16W		R517			RK73HB1J000J	CHIP R 0.0 J 1/16W	
R81			RK73HB1J000J	CHIP R 0.0 J 1/16W		R519			RK73HB1J392J	CHIP R 3.9K J 1/16W	
R83			RK73FB2B102J	CHIP R 1.0K J 1/8W		R520			RK73HB1J272J	CHIP R 2.7K J 1/16W	
R303			RK73HB1J472J	CHIP R 4.7K J 1/16W		R522			RK73HB1J000J	CHIP R 0.0 J 1/16W	
R306			RK73HB1J223J	CHIP R 22K J 1/16W		R524			RK73HB1J101J	CHIP R 100 J 1/16W	
R321			RK73GB2A121J	CHIP R 120 J 1/10W	M,HM,K	R525			RK73HB1J000J	CHIP R 0.0 J 1/16W	
R321			RK73GB2A121J	CHIP R 120 J 1/10W	HK,HUK	R527			RK73HB1J224J	CHIP R 220K J 1/16W	
R321			RK73GB2A151J	CHIP R 150 J 1/10W	M2,HK2	R528			RK73HB1J000J	CHIP R 0.0 J 1/16W	
R323			RK73GB2A390J	CHIP R 39 J 1/10W	M2,HK2	R530			RK73HB1J391J	CHIP R 390 J 1/16W	
R323			RK73GB2A560J	CHIP R 56 J 1/10W	M,HM,K	R531			RK73HB1J000J	CHIP R 0.0 J 1/16W	
R323			RK73GB2A560J	CHIP R 56 J 1/10W	HK,HUK	R532			RK73GB2A000J	CHIP R 0.0 J 1/10W	
R324			RK73GB2A000J	CHIP R 0.0 J 1/10W		R533			RK73HB1J000J	CHIP R 0.0 J 1/16W	
R325			RK73GB2A121J	CHIP R 120 J 1/10W	M,HM,K	R534			RK73HB1J391J	CHIP R 390 J 1/16W	

## PARTS LIST

TX-RX UNIT (X57-7680-XX)

Ref. No.	Address	New parts	Parts No.	Description	Desti-nation	Ref. No.	Address	New parts	Parts No.	Description	Desti-nation
R537			RK73HB1J104J	CHIP R 100K J 1/16W		R731			RK73HB1J104J	CHIP R 100K J 1/16W	
R539			RK73HB1J470J	CHIP R 47 J 1/16W		R732			RK73HB1J102J	CHIP R 1.0K J 1/16W	
R543,544			RK73HB1J823J	CHIP R 82K J 1/16W		R733			RK73HB1J103J	CHIP R 10K J 1/16W	
R545			RK73HB1J224J	CHIP R 220K J 1/16W		R734,735			RK73HB1J102J	CHIP R 1.0K J 1/16W	
R546			RK73HB1J684J	CHIP R 680K J 1/16W		R736			RK73GB2A000J	CHIP R 0.0 J 1/10W	
R547			RK73HB1J151J	CHIP R 150 J 1/16W	M2,HK2	R737			RK73HB1J273J	CHIP R 27K J 1/16W	
R547			RK73HB1J391J	CHIP R 390 J 1/16W	M,HM,K	R738			RK73HB1J562J	CHIP R 5.6K J 1/16W	
R547			RK73HB1J391J	CHIP R 390 J 1/16W	HK,HUK	R739			RK73HB1J000J	CHIP R 0.0 J 1/16W	
R548			RK73HB1J394J	CHIP R 390K J 1/16W		R741			RK73HB1J563J	CHIP R 56K J 1/16W	
R549			RK73HB1J154J	CHIP R 150K J 1/16W		R742			RK73HB1J000J	CHIP R 0.0 J 1/16W	
R550			RK73HB1J270J	CHIP R 27 J 1/16W		R743			RK73HB1J104J	CHIP R 100K J 1/16W	
R553			RK73HB1J000J	CHIP R 0.0 J 1/16W	M2,HK2	R747			RK73HB1J000J	CHIP R 0.0 J 1/16W	
R553			RK73HB1J270J	CHIP R 27 J 1/16W	M,HM,K	R748			RK73HB1J104J	CHIP R 100K J 1/16W	
R553			RK73HB1J270J	CHIP R 27 J 1/16W	HK,HUK	R749			RK73GB2A000J	CHIP R 0.0 J 1/10W	M2,HK2
R554			RK73HB1J105J	CHIP R 1.0M J 1/16W		R749			RK73GB2A100J	CHIP R 10 J 1/10W	M,HM,K
R560			RK73HB1J000J	CHIP R 0.0 J 1/16W		R749			RK73GB2A100J	CHIP R 10 J 1/10W	HK,HUK
R562			RK73HB1J000J	CHIP R 0.0 J 1/16W	M,HM,K	R751			RK73HB1J104J	CHIP R 100K J 1/16W	
R562			RK73HB1J000J	CHIP R 0.0 J 1/16W	HK,HUK	R752			RK73HB1J101J	CHIP R 100 J 1/16W	
R562			RK73HB1J270J	CHIP R 27 J 1/16W	M2,HK2	R753			RK73GB2A104J	CHIP R 100K J 1/10W	
R563			RK73HB1J000J	CHIP R 0.0 J 1/16W		R754			RK73HB1J104J	CHIP R 100K J 1/16W	
R564			RK73HB1J223J	CHIP R 22K J 1/16W		R755			RK73HB1J101J	CHIP R 100 J 1/16W	
R565			RK73HB1J221J	CHIP R 220 J 1/16W		R756			RK73HB1J104J	CHIP R 100K J 1/16W	
R566			RK73HB1J104J	CHIP R 100K J 1/16W		R758			RK73HB1J000J	CHIP R 0.0 J 1/16W	
R567			RK73HB1J564J	CHIP R 560K J 1/16W		R759			RK73HB1J154J	CHIP R 150K J 1/16W	
R568			RK73HB1J223J	CHIP R 22K J 1/16W		R760			RK73HB1J104J	CHIP R 100K J 1/16W	
R569			RK73HB1J823J	CHIP R 82K J 1/16W		R761			RK73HB1J101J	CHIP R 100 J 1/16W	
R570			RK73HB1J683J	CHIP R 68K J 1/16W		R762			RK73HB1J104J	CHIP R 100K J 1/16W	
R572			RK73HB1J000J	CHIP R 0.0 J 1/16W		R763			RK73HB1J101J	CHIP R 100 J 1/16W	
R573,574			RK73HB1J223J	CHIP R 22K J 1/16W		R764			RK73HB1J682J	CHIP R 6.8K J 1/16W	
R576			RK73HB1J000J	CHIP R 0.0 J 1/16W		R765			RK73HB1J000J	CHIP R 0.0 J 1/16W	
R577			RK73FB2B000J	CHIP R 0.0 J 1/8W		R766			RK73HB1J682J	CHIP R 6.8K J 1/16W	
R579			RK73HB1J104J	CHIP R 100K J 1/16W		R767			RK73HB1J393J	CHIP R 39K J 1/16W	
R580			RK73GB2A000J	CHIP R 0.0 J 1/10W		R770			RK73GB2A000J	CHIP R 0.0 J 1/10W	
R589			RK73HB1J000J	CHIP R 0.0 J 1/16W		R771			RK73HB1J000J	CHIP R 0.0 J 1/16W	
R590			RK73HB1J823J	CHIP R 82K J 1/16W		R773			RK73HB1J123J	CHIP R 12K J 1/16W	M,HM,K
R591			RK73HB1J000J	CHIP R 0.0 J 1/16W		R773			RK73HB1J123J	CHIP R 12K J 1/16W	HK,HUK
R701			RK73HB1J000J	CHIP R 0.0 J 1/16W		R773			RK73HB1J562J	CHIP R 5.6K J 1/16W	M2,HK2
R703			RK73HB1J000J	CHIP R 0.0 J 1/16W		R774			RK73HB1J222J	CHIP R 2.2K J 1/16W	
R704			RK73HB1J102J	CHIP R 1.0K J 1/16W		R775			RK73HB1J154J	CHIP R 150K J 1/16W	
R705			RK73HB1J681J	CHIP R 680 J 1/16W		R776			RK73HB1J103J	CHIP R 10K J 1/16W	
R708			RK73HB1J472J	CHIP R 4.7K J 1/16W		R778,779			RK73HB1J473J	CHIP R 47K J 1/16W	
R709			RK73HB1J561J	CHIP R 560 J 1/16W		R780			RK73HB1J222J	CHIP R 2.2K J 1/16W	
R710			RK73GB2A124J	CHIP R 120K J 1/10W		R781			RK73HB1J104J	CHIP R 100K J 1/16W	
R711			RK73HB1J821J	CHIP R 820 J 1/16W		R782			RK73HB1J102J	CHIP R 1.0K J 1/16W	
R712			RK73HB1J561J	CHIP R 560 J 1/16W		R783			RK73HB1J473J	CHIP R 47K J 1/16W	
R713			RK73HB1J104J	CHIP R 100K J 1/16W		R784			RK73HB1J104J	CHIP R 100K J 1/16W	
R714,715			RK73HB1J223J	CHIP R 22K J 1/16W		R785			RK73HB1J105J	CHIP R 1.0M J 1/16W	
R716			RK73HB1J000J	CHIP R 0.0 J 1/16W		R786			RK73GB2A102J	CHIP R 1.0K J 1/10W	
R717			RK73GB2A000J	CHIP R 0.0 J 1/10W		R787			RK73HB1J153J	CHIP R 15K J 1/16W	
R718			RK73HB1J563J	CHIP R 56K J 1/16W		R789			RK73GB2A472J	CHIP R 4.7K J 1/10W	
R719			RK73HB1J000J	CHIP R 0.0 J 1/16W		R790			RK73HB1J123J	CHIP R 12K J 1/16W	
R720			RK73HB1J101J	CHIP R 100 J 1/16W		R791			RK73HB1J102J	CHIP R 1.0K J 1/16W	
R722			RK73HB1J222J	CHIP R 2.2K J 1/16W		R792			RK73GH2A134D	CHIP R 130K D 1/10W	
R723			RK73HB1J334J	CHIP R 330K J 1/16W		R793			RK73GH2A183D	CHIP R 18K D 1/10W	
R724			RK73HB1J000J	CHIP R 0.0 J 1/16W		R794-797			RK73HB1J102J	CHIP R 1.0K J 1/16W	
R725,726			RK73HH1J473D	CHIP R 47K D 1/16W		R798			RK73GB2A000J	CHIP R 0.0 J 1/10W	
R727			RK73HB1J473J	CHIP R 47K J 1/16W		R799-801			RK73HB1J102J	CHIP R 1.0K J 1/16W	
R728			RK73HB1J000J	CHIP R 0.0 J 1/16W		R802			RK73HB1J000J	CHIP R 0.0 J 1/16W	
R729			RK73HB1J104J	CHIP R 100K J 1/16W		R803			RK73HB1J103J	CHIP R 10K J 1/16W	
R730			RK73HB1J000J	CHIP R 0.0 J 1/16W		R806-808			RK73HB1J000J	CHIP R 0.0 J 1/16W	

K: TK-8302(U) K HK: TK-8302H K HK2: TK-8302H K2  
HUK: TK-8302H(U) K M: TK-8302 M M2: TK-8302 M2 HM: TK-8302H M

## PARTS LIST

## TX-RX UNIT (X57-7680-XX)

Ref. No.	Address	New parts	Parts No.	Description	Destination	Ref. No.	Address	New parts	Parts No.	Description	Destination
R811			RK73HB1J102J	CHIP R 1.0K J 1/16W		R933			RK73GB2A000J	CHIP R 0.0 J 1/10W	M2,M,HM
R812			RK73HB1J473J	CHIP R 47K J 1/16W		R933			RK73GB2A000J	CHIP R 0.0 J 1/10W	K,HUK
R815			RK73HB1J102J	CHIP R 1.0K J 1/16W		R934			RK73GB2A000J	CHIP R 0.0 J 1/10W	HK2,HK
R817-819			RK73HB1J000J	CHIP R 0.0 J 1/16W		R935			RK73HB1J473J	CHIP R 47K J 1/16W	
R820			RK73HB1J473J	CHIP R 47K J 1/16W		R938			RK73HB1J473J	CHIP R 47K J 1/16W	
R821			RK73HB1J471J	CHIP R 470 J 1/16W		R939,940			RK73GB2A000J	CHIP R 0.0 J 1/10W	
R823			RK73GB2A102J	CHIP R 1.0K J 1/10W		R950			RK73HB1J473J	CHIP R 47K J 1/16W	
R824			RK73HB1J152J	CHIP R 1.5K J 1/16W		R951,952			RK73GB2A000J	CHIP R 0.0 J 1/10W	
R825			RK73HB1J473J	CHIP R 47K J 1/16W		R955			RK73HB1J563J	CHIP R 56K J 1/16W	
R826			RK73HB1J223J	CHIP R 22K J 1/16W		R956			RK73HB1J561J	CHIP R 560 J 1/16W	
R827			RK73HB1J473J	CHIP R 47K J 1/16W		R957			RK73HB1J563J	CHIP R 56K J 1/16W	
R829			RK73HB1J000J	CHIP R 0.0 J 1/16W		R958			RK73HB1J561J	CHIP R 560 J 1/16W	
R831,832			RK73HB1J000J	CHIP R 0.0 J 1/16W		R959			RK73HB1J184J	CHIP R 180K J 1/16W	
R833-835			RK73HB1J103J	CHIP R 10K J 1/16W		R960			RK73HB1J222J	CHIP R 2.2K J 1/16W	
R836			RK73HB1J472J	CHIP R 4.7K J 1/16W		R961			RK73HB1J184J	CHIP R 180K J 1/16W	
R837			RK73HB1J152J	CHIP R 1.5K J 1/16W		R962			RK73HB1J152J	CHIP R 1.5K J 1/16W	
R838			RK73HB1J472J	CHIP R 4.7K J 1/16W		R963			RK73GH2A101D	CHIP R 100 D 1/10W	M,K
R839			RK73HB1J473J	CHIP R 47K J 1/16W		R963			RK73GH2A820D	CHIP R 82 D 1/10W	HM,HK,HUK
R840			RK73HB1J683J	CHIP R 68K J 1/16W		R963,964			RK73GH2A101D	CHIP R 100 D 1/10W	M2,HK2
R841			RK73HB1J473J	CHIP R 47K J 1/16W		R965			RK73HB1J473J	CHIP R 47K J 1/16W	
R842			RK73HB1J823J	CHIP R 82K J 1/16W		R967			RK73HB1J000J	CHIP R 0.0 J 1/16W	
R843			RK73HB1J222J	CHIP R 2.2K J 1/16W		R968			RK73HB1J104J	CHIP R 100K J 1/16W	
R845			RK73HB1J102J	CHIP R 1.0K J 1/16W		R971			RK73HB1J000J	CHIP R 0.0 J 1/16W	
R846			RK73GB2A221J	CHIP R 220 J 1/10W		R972			RK73HB1J102J	CHIP R 1.0K J 1/16W	
R847			RK73HB1J391J	CHIP R 390 J 1/16W		R973,974			RK73HB1J100J	CHIP R 10 J 1/16W	
R848			RK73GB2A473J	CHIP R 47K J 1/10W		R975,976			RK73HB1J471J	CHIP R 470 J 1/16W	
R849			RK73FB2B000J	CHIP R 0.0 J 1/8W		R977,978			RK73HB1J473J	CHIP R 47K J 1/16W	
R850			RK73GB2A334J	CHIP R 330K J 1/10W		R979-998			RK73HB1J000J	CHIP R 0.0 J 1/16W	
R851			RK73HB1J474J	CHIP R 470K J 1/16W		R999			RK73HB1J473J	CHIP R 47K J 1/16W	
R852			RK73HB1J564J	CHIP R 560K J 1/16W		D1			1SS389-F	DIODE	
R853			RK73HB1J000J	CHIP R 0.0 J 1/16W		D4-11			1SV325F	VARIABLE CAPACITANCE DIODE	
R854			RK73GB2A104J	CHIP R 100K J 1/10W		D12			1SV278F	VARIABLE CAPACITANCE DIODE	
R855			RK73HB1J101J	CHIP R 100 J 1/16W		D300			UDZW5.1(B)	ZENER DIODE	
R856			RK73HB1J000J	CHIP R 0.0 J 1/16W		D301			1SS355	DIODE	
R857			RK73HB1J102J	CHIP R 1.0K J 1/16W		D302,303			L407CDB	DIODE (50V/1W)	
R858			RK73HB1J332J	CHIP R 3.3K J 1/16W		D304,305			L7091CER	DIODE	
R859-863			RK73HB1J000J	CHIP R 0.0 J 1/16W		D310,311			UDZW3.3(B)	ZENER DIODE	
R867,868			RK73HB1J000J	CHIP R 0.0 J 1/16W		D312			HSC277	DIODE	
R869			RK73HB1J104J	CHIP R 100K J 1/16W		D313,314		*	HSB88AS-E	DIODE	M2,M,HM
R870,871			RK73HB1J000J	CHIP R 0.0 J 1/16W		D313,314		*	HSB88AS-E	DIODE	K,HK,HUK
R873-876			RK73HB1J000J	CHIP R 0.0 J 1/16W		D313,314			MA3J742	DIODE	HK2
R877			RK73HB1J473J	CHIP R 47K J 1/16W		D500,501			MC2858	DIODE	
R878,879			RK73HB1J105J	CHIP R 1.0M J 1/16W		D505,506			1SV305F	VARIABLE CAPACITANCE DIODE	
R880,881			RK73HB1J104J	CHIP R 100K J 1/16W		D508-510			1SV305F	VARIABLE CAPACITANCE DIODE	
R882			RK73HB1J823J	CHIP R 82K J 1/16W		D511			HVC369B	VARIABLE CAPACITANCE DIODE	
R884			RK73HB1J472J	CHIP R 4.7K J 1/16W		D700-710			DA221	DIODE	
R885			RK73HB1J683J	CHIP R 68K J 1/16W		D711			MC2858	DIODE	
R886			RK73HB1J823J	CHIP R 82K J 1/16W		D712			1SS372F	DIODE	
R887			RK73FB2B000J	CHIP R 0.0 J 1/8W		D715			UDZW18(B)	ZENER DIODE	
R888			RK73GB2A473J	CHIP R 47K J 1/10W		D717			Z5W27V	SURGE ABSORBER	
R889			RK73GB2A221J	CHIP R 220 J 1/10W		D718			MA2S111-F	DIODE	
R890			RK73HB1J102J	CHIP R 1.0K J 1/16W		D719,720			HVC131	DIODE	
R891-893			RK73HB1J000J	CHIP R 0.0 J 1/16W		IC1			MB15E03SL-E1	MOS-IC	
R894,895			RK73HB1J102J	CHIP R 1.0K J 1/16W		IC2			BD7542FVM	MOS-IC	
R896			RK73GB2A000J	CHIP R 0.0 J 1/10W		IC300			HA17358BFEL-E	MOS-IC	
R899			RK73HB1J000J	CHIP R 0.0 J 1/16W		IC301	2B		RA60H40471101	MOS-IC	HK2
R928,929			RK73HB1J472J	CHIP R 4.7K J 1/16W		IC301	2B		RA60H44521101	MOS-IC	HM,HK,HUK
R930			RK73HB1J223J	CHIP R 22K J 1/16W		IC301	2B		S-AU83AH	MOS-IC	M,K
R931			RK73HB1J103J	CHIP R 10K J 1/16W		IC301	2B		S-AU83AL	MOS-IC	M2
R932			RK73HB1J000J	CHIP R 0.0 J 1/16W							

## PARTS LIST

TX-RX UNIT (X57-7680-XX)

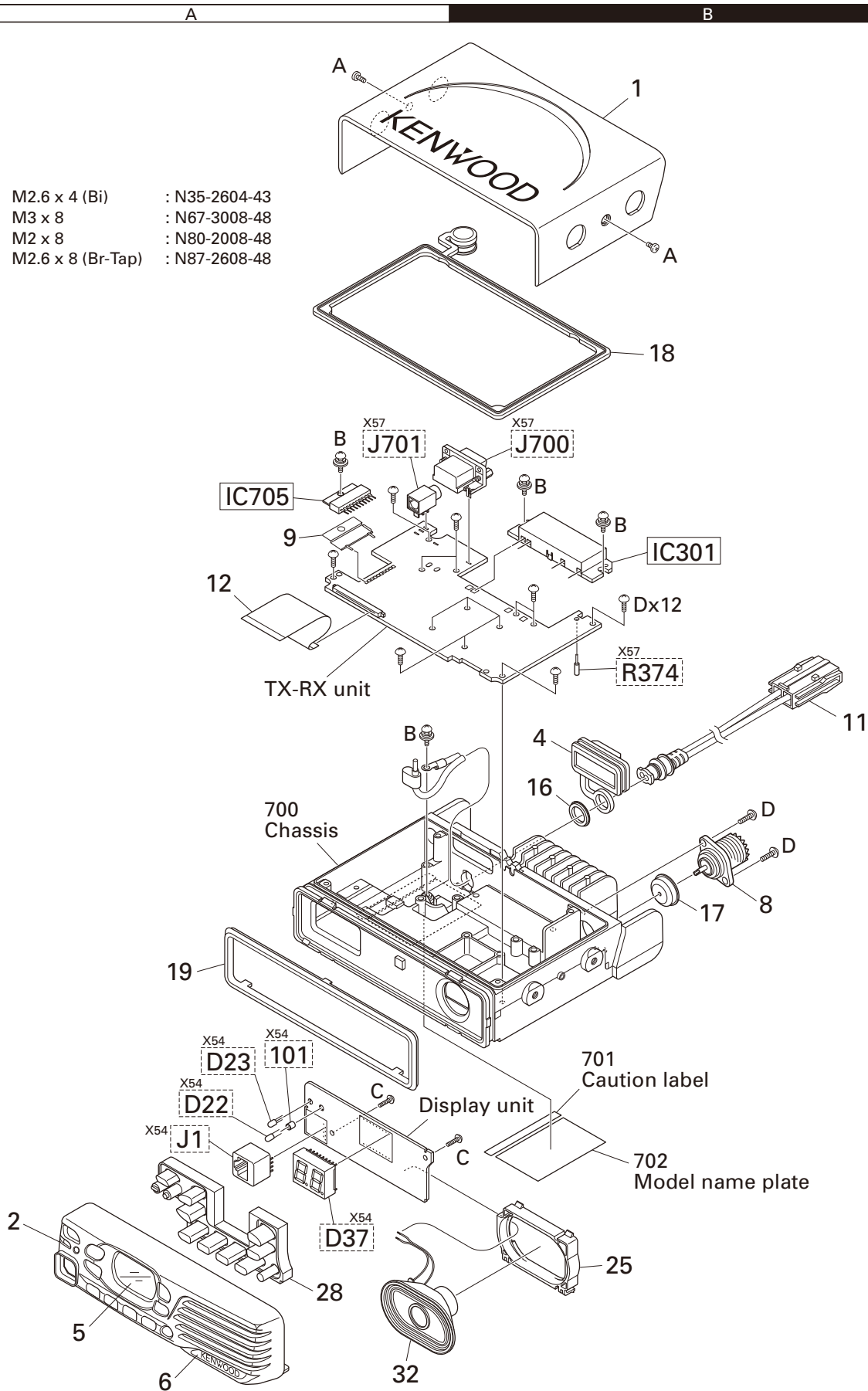
Ref. No.	Address	New parts	Parts No.	Description	Destination	Ref. No.	Address	New parts	Parts No.	Description	Destination
IC500			TA31136FNG	MOS-IC							
IC501			HA17358BFEL-E	MOS-IC							
IC700			NJM2100V-ZB	MOS-IC							
IC701			CD686Q3	MOS-IC							
IC702		*	F364AEDFBKCUB	MICROCONTROLLER IC							
IC703			EX24064ASAS0A	ROM IC							
IC704			TA4809BF	ANALOGUE IC							
IC705	2A		LA4600	BI-POLAR IC							
IC706			XC6221B332NR	MOS-IC							
IC707			TA7805FQ	MOS-IC							
IC708			BD4740G	MOS-IC							
IC709			XC6120N402N1	MOS-IC							
IC710			XC6221B332NR	MOS-IC							
Q3			2SC5108(Y)F	TRANSISTOR							
Q4			MCH3914(7)-H	FET							
Q5			2SJ347F	FET							
Q6			MCH3914(7)-H	FET							
Q7			KRX102U	TRANSISTOR							
Q8			KTC4075E(Y,GR)	TRANSISTOR							
Q9,10			2SC5108(Y)F	TRANSISTOR							
Q11			SSM3J05FU-F	FET							
Q12			2SK1830F	FET							
Q300			RD00HVS1-T113	FET							
Q500			2SC5108(Y)F	TRANSISTOR							
Q501			RT1P441U	TRANSISTOR							
Q502			2SC5108(Y)F	TRANSISTOR							
Q504			3SK318	FET							
Q506			3SK318	FET							
Q507			RT1N441U	TRANSISTOR							
Q510			RT1N441U	TRANSISTOR							
Q511			KTC4075E(Y,GR)	TRANSISTOR							
Q701			2SK1830F	FET							
Q702			2SC4919	TRANSISTOR							
Q703			KTC4075E(Y,GR)	TRANSISTOR							
Q705			SSM3J05FU-F	FET							
Q707		*	RT1N440M-T111	TRANSISTOR							
Q710-712			RT1N441U	TRANSISTOR							
Q713,714			2SB1694	TRANSISTOR							
Q715			SSM3K05FU	FET							
Q717,718			SSM3J05FU-F	FET							
Q719			KTC4075E(Y,GR)	TRANSISTOR							
Q720			2SJ645	FET							
Q721			RT1N441U	TRANSISTOR							
Q722			KTC4075E(Y,GR)	TRANSISTOR							
Q723			SSM3K05FU	FET							
Q724			2SJ645	FET							
Q725			KTC4075E(Y,GR)	TRANSISTOR							
Q728			2SC4116(Y)F	TRANSISTOR							
Q729,730			KTC4075E(Y,GR)	TRANSISTOR							
Q731,732			2SC5108(Y)F	TRANSISTOR							
TH300-302			B57331V2104J	THERMISTOR							
TH501			NCP18WM224JOS	THERMISTOR							

K: TK-8302(U) K HK: TK-8302H K HK2: TK-8302H K2  
HUK: TK-8302H(U) K M: TK-8302 M M2: TK-8302 M2 HM: TK-8302H M

If a part reference number is listed in a shaded box, that part does not come with the PCB.

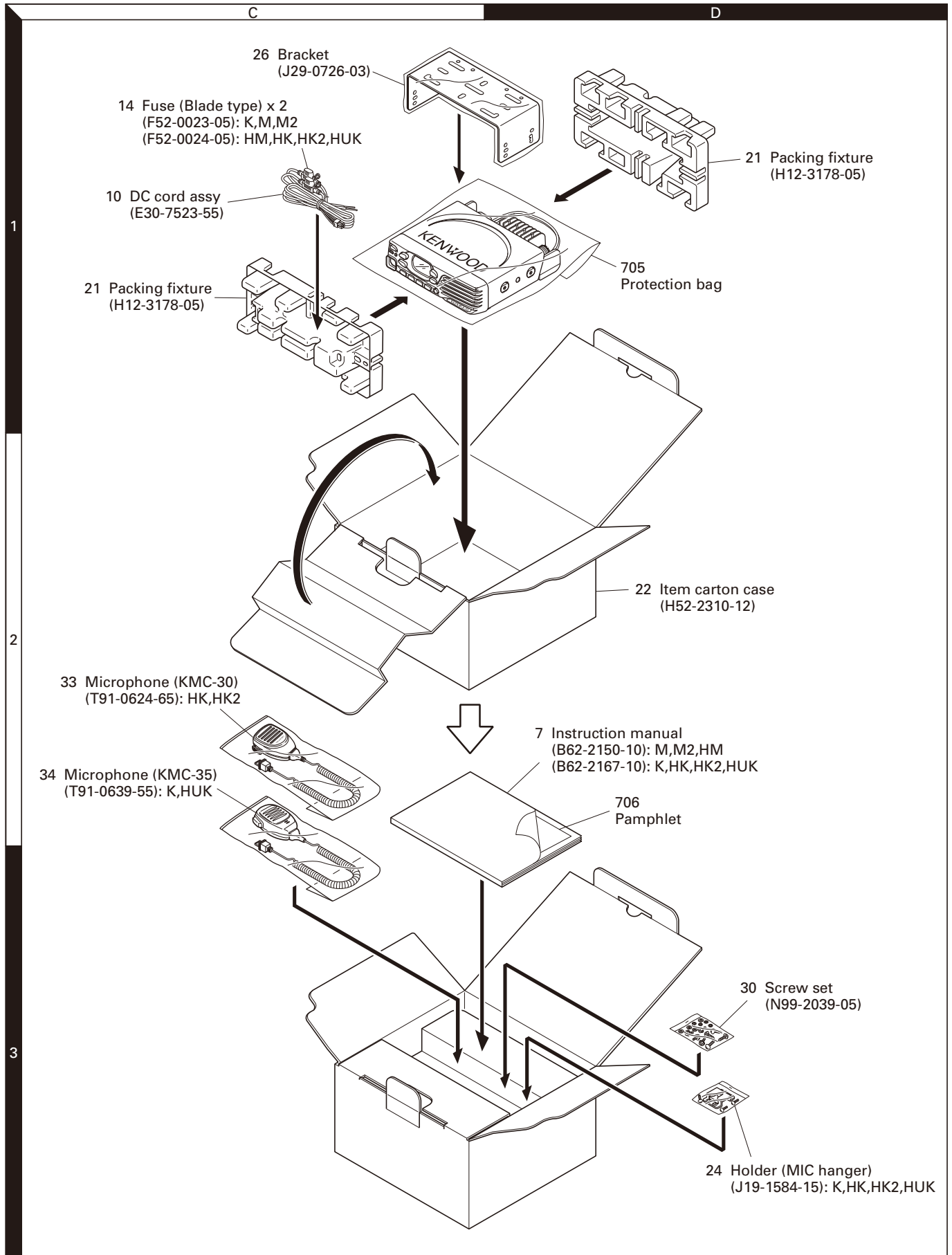
## EXPLODED VIEW

- |   |                   |               |
|---|-------------------|---------------|
| A | M2.6 x 4 (Bi)     | : N35-2604-43 |
| B | M3 x 8            | : N67-3008-48 |
| C | M2 x 8            | : N80-2008-48 |
| D | M2.6 x 8 (Br-Tap) | : N87-2608-48 |



**30** Parts with the exploded numbers larger than 700 are not supplied.  
 If a part reference number is listed in a box on the exploded view of the PCB, that part does not come with the PCB.  
 These parts must be ordered separately.

# PACKING



Parts with the exploded numbers larger than 700 are not supplied.