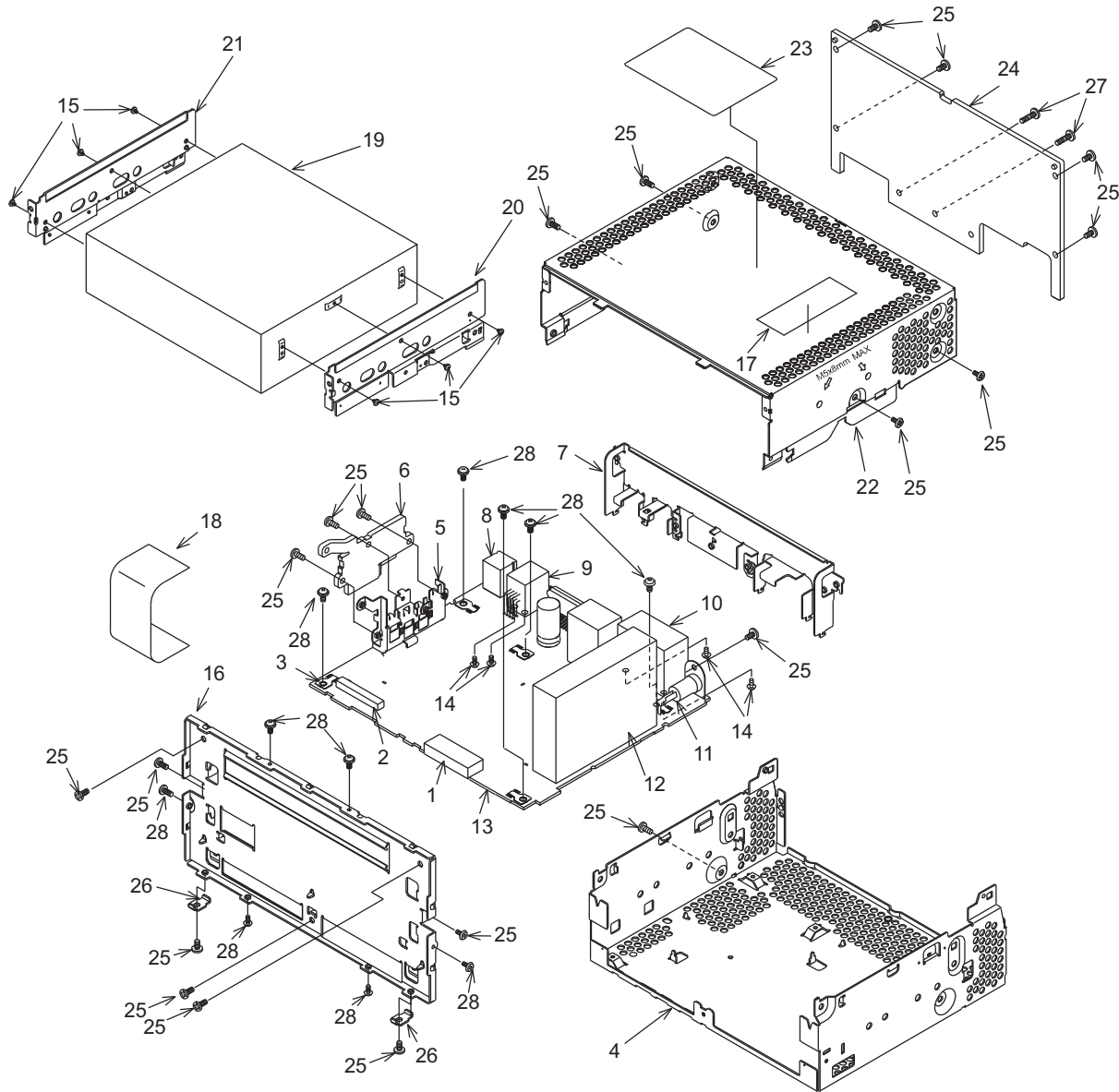


EXPLODED VIEW/PARTS LIST

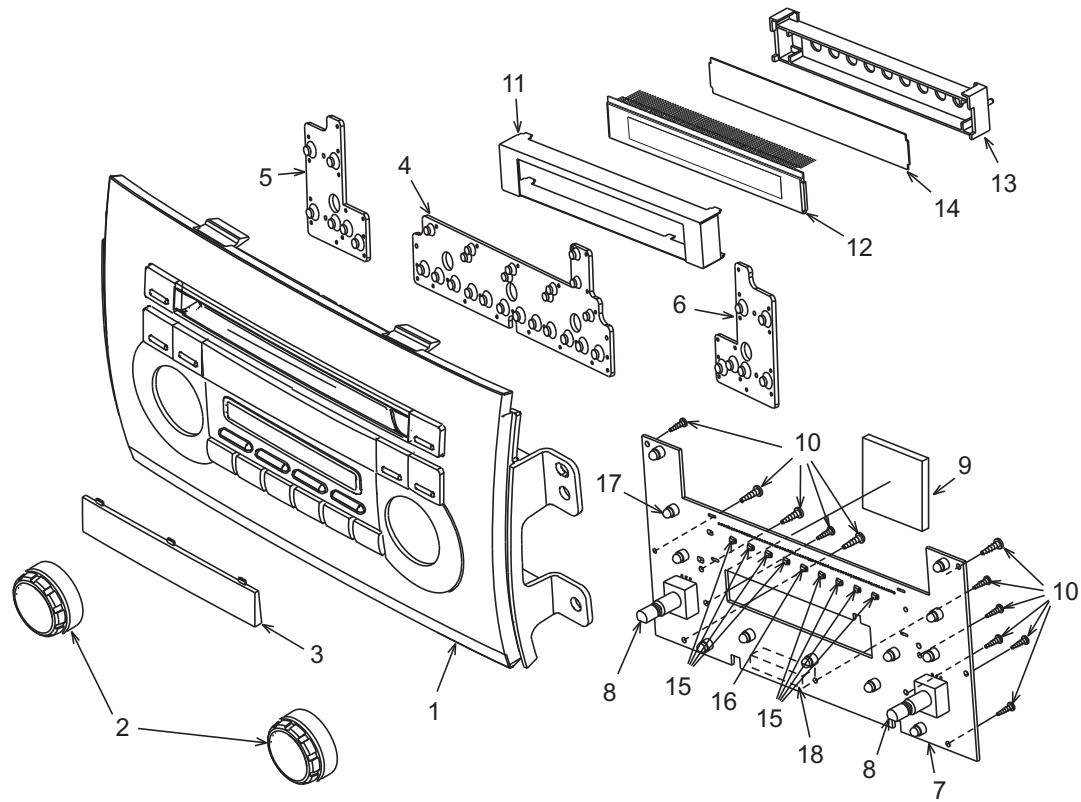
Main section



Clamping torque value of a screw is 0.4 +0.08/-0.08 Newton meter.

NO.	PART NO.	DESCRIPTION	QTY	NO.	PART NO.	DESCRIPTION	QTY
1	076-3011-74	PLUG(24P)	1	15	716-3552-00	IT SCREW(M2.3x2.5)	6
2	074-1237-69	OUTLET SOCKET	1	16	309-0819-10	ES PLATE	1
3	073-0762-90	TERMINAL	5	17	285-1960-00	GUIDE LABEL	1
4	311-1919-02	LOWER CASE	1	18	816-4024-50	FLAT WIRE	1
5	331-4126-00	TR HOLDER	1	19	929-0374-81	CD-MECH-MODULE	1
6	313-1966-00	SUB HEAT SINK	1	20	331-4091-10	CD BRKT(L)	1
7	331-4127-00	REAR PLATE	1	21	331-4092-10	CD BRKT(R)	1
8	074-1194-00	OUTLET SOCKET	1	22	310-1826-10	UPPER CASE	1
9	074-1302-08	OUTLET SOCKET	1	23	286-6224-37	SETPLATE	1
10	074-4007-20	OUTLET SOCKET	1	24	313-1962-00	HEAT SINK	1
11	092-0702-00	ANT-RECEPT	1	25	714-2606-8B	MACHINE SCREW(M2.6x6)	20
12	941-0221-70	TUNER PACK	2	26	331-4193-20	SU-PLATE	2
13	-----	Main PWB	1	27	714-2610-89	MACHINE SCREW(M2.6x10)	2
14	778-3006-00	TAP-SCREW(3x6)	4	28	716-0878-50	IT SCREW(M2.6x5)	11

Escutcheon section



Clamping torque value of a screw is 0.2 +0.04/-0.04 Newton meter.

NO.	PART NO.	DESCRIPTION	Q'TY	NO.	PART NO.	DESCRIPTION	Q'TY
1	940-8120-12	ESCUTCHEON ASSY	1	10	716-0778-51	P-TITE SCREW (2x6)	11
2	947-0602-00	KNOB ASSY	2	11	331-4264-00	LCD COVER	1
3	371-5854-10	DIAL COVER	1	12	379-1362-51	INDICATOR (LCD)	1
4	345-5589-00	RUBBER SW (CENTER)	1	13	335-7705-00	LCD HOLDER	1
5	345-5590-00	RUBBER SW (LEFT)	1	14	335-7929-00	COLOR FILTER	1
6	345-5591-00	RUBBER SW (RIGHT)	1	15	001-7048-91	DIODE RED	8
7	-----	Switch PWB	1	16	001-7087-90	DIODE RED	1
8	016-0014-12	VR W/SHAFT	2	17	017-0420-43	PL LAMP (14V 40mA RED)	12
9	345-6006-00	PROTECTOR	1	18	074-3013-74	OUTLETSOCKET	1

ELECTRICAL PARTS LIST
Main PWB section (B1)

REF No.	PART No.	DESCRIPTION	REF No.	PART No.	DESCRIPTION	REF No.	PART No.	DESCRIPTION
ANT101	092-0702-00	ANT-RECEPT	C129	166-1011-50	100pF CH	C312	188-2253-68	50V 2.2uF
BL101	941-0221-70	TUNER PACK	C130	168-2232-55	0.022uF K	C313	188-2253-68	50V 2.2uF
C103	168-2232-55	0.022uF K	C131	188-4763-38	16V 47uF	C314	188-2253-68	50V 2.2uF
C104	188-1073-28	10V 100uF	C132	166-1811-50	180pF CH	C318	168-1522-55	1500pF K
C105	168-1042-78	16V 0.1uF	C133	168-1042-78	16V 0.1uF	C319	168-1522-55	1500pF K
C106	168-1042-78	16V 0.1uF	C160	168-1042-78	16V 0.1uF	C334	166-4711-50	470pF CH
C107	188-1073-28	10V 100uF	C212	188-4763-38	16V 47uF	C335	166-4711-50	470pF CH
C108	168-1042-78	16V 0.1uF	C222	168-1042-78	16V 0.1uF	C346	188-1073-28	10V 100uF
C109	168-2232-55	0.022uF K	C241	168-2232-55	0.022uF K	C352	168-1042-78	16V 0.1uF
C111	168-2232-55	0.022uF K	C243	188-4763-38	16V 47uF	C353	042-1562-15	10V 220uF
C112	168-4745-79	0.47uF Z	C244	168-1042-78	16V 0.1uF	C354	166-2201-50	22pF CH
C113	168-8232-78	0.082uF K	C245	168-1042-78	16V 0.1uF	C355	166-2201-50	22pF CH
C114	168-8232-78	0.082uF K	C274	189-2273-29	10V 220uF	C356	166-1007-50	10pF CH
C121	166-1801-50	18pF CH	C276	043-0328-90	0.1uF	C357	166-1007-50	10pF CH
C122	188-4763-38	16V 47uF	C301	178-1052-78	1uF	C358	188-1063-38	16V 10uF
C123	168-1022-55	1000pF K	C302	178-1052-78	1uF	C359	188-1063-38	16V 10uF
C124	042-1458-90	50V 1uF LN	C305	178-1052-78	1uF	C360	188-1063-38	16V 10uF
C125	166-1501-50	15pF CH	C306	178-1052-78	1uF	C361	188-1063-38	16V 10uF
C126	166-1011-50	100pF CH	C309	168-1232-55	0.012uF K	C391	168-1042-78	16V 0.1uF
C127	166-1011-50	100pF CH	C310	168-1232-55	0.012uF K	C392	168-1042-78	16V 0.1uF
C128	166-1011-50	100pF CH	C311	188-2253-68	50V 2.2uF	C393	168-1042-78	16V 0.1uF

REF No.	PART No.	DESCRIPTION	REF No.	PART No.	DESCRIPTION	REF No.	PART No.	DESCRIPTION
C394	168-1042-78	16V 0.1uF	D801	001-0592-00	RM4Z	R124	119-2221-15	1/10W 2.2k ohm
C395	168-1032-55	0.01uF K	D851	001-4301-68	HZU18B1	R125	119-1021-15	1/10W 1k ohm
C396	163-1053-65	50V 1uF	IC121	051-6212-18	LC72191JM-UC	R127	119-5631-15	1/10W 56k ohm
C397	042-1624-00	4700 16V	IC241	051-3367-90	NJU7780U1-33-TE2	R128	119-4731-15	1/10W 47k ohm
C398	163-1063-35	16V 10uF	IC272	051-3334-00	NJM2396F0	R130	119-2221-15	1/10W 2.2k ohm
C399	163-1053-65	50V 1uF	IC351	051-3034-90	NJM4558V	R131	119-1031-15	1/10W 10k ohm
C400	166-2201-50	22pF CH	IC391	051-2040-00	TA8276H	R132	119-1031-15	1/10W 10k ohm
C401	166-3911-50	390pF CH	IC401	051-5046-90	CL7639V20	R133	119-2221-15	1/10W 2.2k ohm
C402	043-0570-90	16V 2.2uF K	IC501	052-3211-21	M30624MGP-E09GP	R134	119-2221-15	1/10W 2.2k ohm
C403	168-5632-78	16V 0.056uF	IC502	051-0869-58	NJM2103M	R135	119-1031-15	1/10W 10k ohm
C404	043-0570-90	16V 2.2uF K	IC503	051-9400-29	BR93L46F-W	R242	119-4731-15	1/10W 47k ohm
C405	188-1063-38	16V 10uF	IC504	051-6600-58	HA12187FP	R243	119-1021-15	1/10W 1k ohm
C406	188-1073-28	10V 100uF	IC741	051-3369-00	NJM2388F8	R245	119-3331-15	1/10W 33k ohm
C407	168-1042-78	16V 0.1uF	J241	074-1237-69	19PIN	R246	119-4731-15	1/10W 47k ohm
C408	166-3911-50	390pF CH	J701	074-1194-00	13PIN	R248	119-1041-15	1/10W 100k ohm
C409	043-0570-90	16V 2.2uF K	J721	074-1302-08	8PIN	R250	119-3331-15	1/10W 33k ohm
C410	168-5632-78	16V 0.056uF	J801	074-4007-20	20PIN	R253	119-4731-15	1/10W 47k ohm
C411	043-0570-90	16V 2.2uF K	L101	010-2003-04	30uH	R255	119-3331-15	1/10W 33k ohm
C412	168-1042-78	16V 0.1uF	L102	010-6009-76	22uH J	R256	119-0000-05	1/10W 0 ohm JW
C417	178-4742-78	0.47uF	L103	010-6009-76	22uH J	R258	119-4731-15	1/10W 47k ohm
C418	168-4722-55	4700pF K	L121	010-6009-76	22uH J	R271	119-4731-15	1/10W 47k ohm
C419	178-4742-78	0.47uF	L501	010-6009-76	22uH J	R273	119-0000-05	1/10W 0 ohm JW
C420	168-4722-55	4700pF K	L502	010-6009-76	22uH J	R301	119-1021-15	1/10W 1k ohm
C421	178-4742-78	0.47uF	L801	010-8026-00	210uH	R302	119-1021-15	1/10W 1k ohm
C422	168-4722-55	4700pF K	P501	076-3011-74	24P PLUG	R305	119-1021-15	1/10W 1k ohm
C423	178-4742-78	0.47uF	P503	076-0717-09	9P	R306	119-1021-15	1/10W 1k ohm
C424	168-4722-55	4700pF K	Q121	191-1197-50	2SB1197K Q,R	R309	119-1021-15	1/10W 1k ohm
C501	168-1042-78	16V 0.1uF	Q122	191-1197-50	2SB1197K Q,R	R310	119-1021-15	1/10W 1k ohm
C502	188-4763-18	6.3V 47uF	Q123	191-1197-50	2SB1197K Q,R	R311	119-5631-15	1/10W 56k ohm
C503	168-1032-55	0.01uF K	Q124	192-4155-51	2SC4155A S,T	R312	119-5631-15	1/10W 56k ohm
C504	168-1032-55	0.01uF K	Q125	192-4155-51	2SC4155A S,T	R313	119-5631-15	1/10W 56k ohm
C505	168-1032-55	0.01uF K	Q241	125-0034-92	RT1P141M	R314	119-5631-15	1/10W 56k ohm
C506	168-1042-78	16V 0.1uF	Q242	125-2041-92	RT1N141M	R323	119-0000-05	1/10W 0 ohm JW
C507	188-1053-68	50V 1uF	Q243	193-0601-00	2SD601A	R324	119-0000-05	1/10W 0 ohm JW
C509	168-1022-55	1000pF K	Q244	192-4155-51	2SC4155A S,T	R325	119-0000-05	1/10W 0 ohm JW
C510	168-1022-55	1000pF K	Q245	125-2041-92	RT1N141M	R326	119-0000-05	1/10W 0 ohm JW
C511	168-1042-78	16V 0.1uF	Q246	125-0034-92	RT1P141M	R351	119-8211-15	1/10W 820 ohm
C512	168-1032-55	0.01uF K	Q247	125-2041-92	RT1N141M	R352	119-1021-15	1/10W 1k ohm
C513	189-1073-29	10V 100uF	Q248	198-3018-00	2SK3018	R353	032-0140-50	1/10W 10k ohm F
C514	168-1042-78	16V 0.1uF	Q249	198-3018-00	2SK3018	R354	032-0140-50	1/10W 10k ohm F
C515	166-1011-50	100pF CH	Q391	125-2041-92	RT1N141M	R355	032-0140-50	1/10W 10k ohm F
C516	188-1063-38	16V 10uF	Q392	192-4155-51	2SC4155A S,T	R356	032-0140-50	1/10W 10k ohm F
C517	042-0559-00	0.1F 5.5V	Q502	190-2071-00	2SA2071 T100	R357	032-0140-50	1/10W 10k ohm F
C722	168-1042-78	16V 0.1uF	Q503	192-4155-51	2SC4155A S,T	R358	032-0140-50	1/10W 10k ohm F
C731	172-1041-15	0.1uF	Q504	192-4155-51	2SC4155A S,T	R359	032-0140-50	1/10W 10k ohm F
C732	188-1053-68	50V 1uF	Q505	192-4155-51	2SC4155A S,T	R360	032-0140-50	1/10W 10k ohm F
C741	043-0328-90	0.1uF	Q506	193-2118-50	2SD2118F5 R,S	R391	119-5631-15	1/10W 56k ohm
C744	188-1073-28	10V 100uF	Q701	192-4155-51	2SC4155A S,T	R392	119-1221-15	1/10W 1.2k ohm
C761	188-1063-38	16V 10uF	Q711	190-2071-00	2SA2071 T100	R393	119-2221-15	1/10W 2.2k ohm
C762	188-1063-38	16V 10uF	Q712	192-4155-51	2SC4155A S,T	R394	119-2221-15	1/10W 2.2k ohm
C771	188-1073-28	10V 100uF	Q761	192-5810-00	2SC5810 TE12L	R395	119-2221-15	1/10W 2.2k ohm
C772	188-1063-38	16V 10uF	Q762	125-0034-92	RT1P141M	R396	119-2221-15	1/10W 2.2k ohm
C791	188-4756-58	35V 4.7uF	Q763	125-2041-92	RT1N141M	R397	119-1031-15	1/10W 10k ohm
C792	168-1042-78	16V 0.1uF	Q771	192-5886-00	2SC5886	R398	119-4731-15	1/10W 47k ohm
C811	172-1041-15	0.1uF	Q773	192-4155-51	2SC4155A S,T	R399	119-4731-15	1/10W 47k ohm
C821	188-1063-38	16V 10uF	Q775	192-4155-51	2SC4155A S,T	R400	119-1031-15	1/10W 10k ohm
CCT501	050-0140-54	1/32W 1k ohm x4J	Q776	125-0034-92	RT1P141M	R401	119-2231-15	1/10W 22k ohm
CCT504	050-0140-54	1/32W 1k ohm x4J	Q777	125-2041-92	RT1N141M	R402	119-2021-15	1/10W 2k ohm
CCT505	050-0140-54	1/32W 1k ohm x4J	Q791	192-4155-51	2SC4155A S,T	R403	119-2231-15	1/10W 22k ohm
D391	001-0580-90	1SS352	Q792	192-4155-51	2SC4155A S,T	R404	119-2021-15	1/10W 2k ohm
D505	001-0580-90	1SS352	Q821	190-2071-00	2SA2071 T100	R405	119-0000-05	1/10W 0 ohm JW
D506	001-2403-90	M1F60	Q822	192-4155-51	2SC4155A S,T	R502	119-4721-15	1/10W 4.7k ohm
D507	001-4301-25	HZU4.7B1	R101	119-0000-05	1/10W 0 ohm JW	R503	119-4721-15	1/10W 4.7k ohm
D508	001-0466-90	S5688B	R102	119-0000-05	1/10W 0 ohm JW	R504	119-4721-15	1/10W 4.7k ohm
D509	001-0504-36	HZS7A1L	R103	119-1041-15	1/10W 100k ohm	R510	119-4721-15	1/10W 4.7k ohm
D701	001-0424-31	MA4180	R104	119-2221-15	1/10W 2.2k ohm	R511	119-4721-15	1/10W 4.7k ohm
D702	001-0424-31	MA4180	R105	119-6811-15	1/10W 680 ohm	R512	119-4721-15	1/10W 4.7k ohm
D703	001-0424-31	MA4180	R106	119-2221-15	1/10W 2.2k ohm	R513	119-4721-15	1/10W 4.7k ohm
D711	001-0466-90	S5688B	R107	116-1001-15	1/4W 10 ohm	R514	119-1021-15	1/10W 1k ohm
D712	001-0466-90	S5688B	R108	119-2231-15	1/10W 22k ohm	R515	119-1041-15	1/10W 100k ohm
D731	001-0466-90	S5688B	R109	119-5121-15	1/10W 5.1k ohm	R516	119-1041-15	1/10W 100k ohm
D761	001-0504-39	HZS7B2L	R111	166-8201-50	82pF CH	R517	116-1001-15	1/4W 10 ohm
D771	001-0347-43	MA4082LTA	R122	119-3321-15	1/10W 3.3k ohm	R520	119-4731-15	1/10W 47k ohm
D772	001-0347-25	MA4047LTA	R123	119-4721-15	1/10W 4.7k ohm	R521	119-4731-15	1/10W 47k ohm

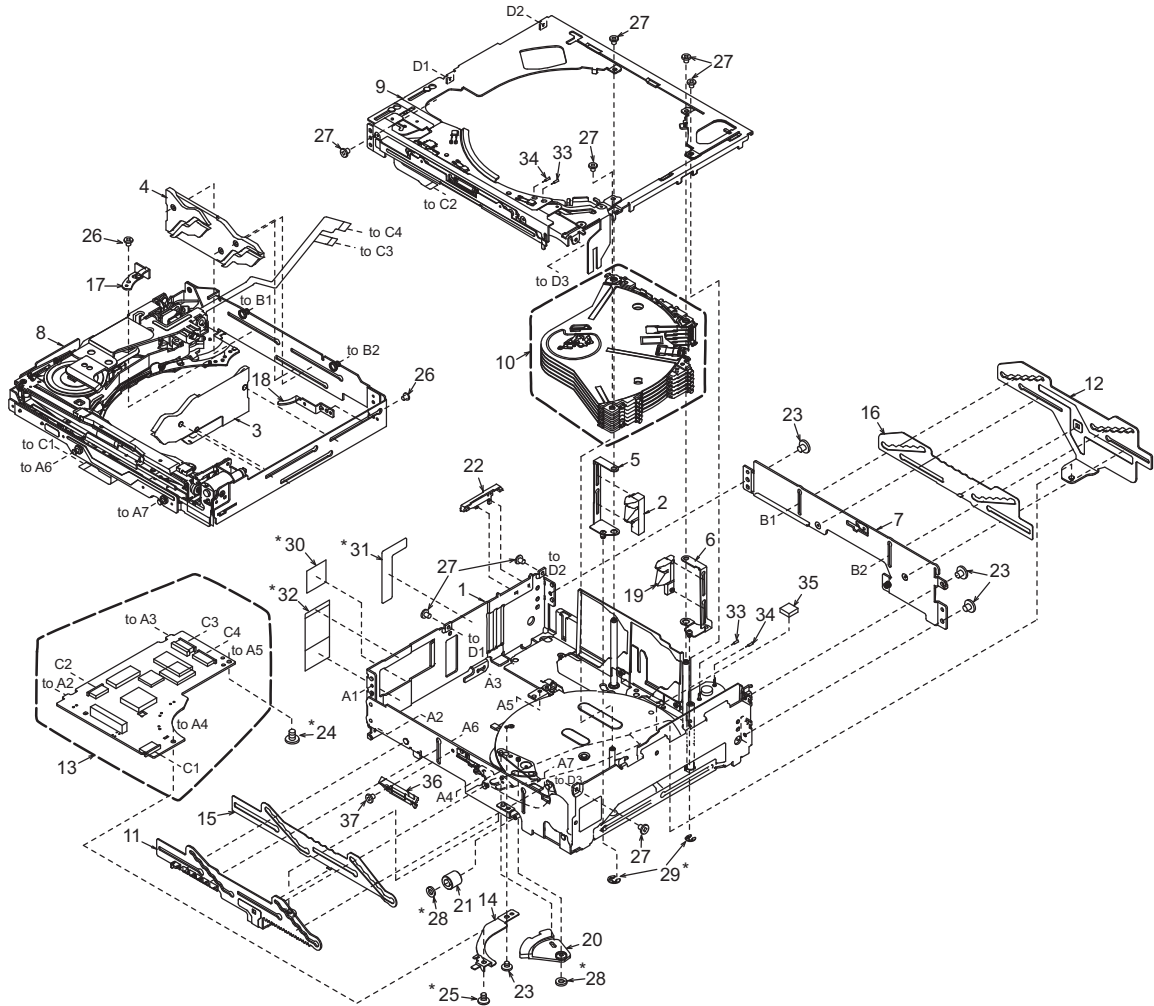
REF No.	PART No.	DESCRIPTION	REF No.	PART No.	DESCRIPTION	REF No.	PART No.	DESCRIPTION
R522	119-4731-15	1/10W 47k ohm	R558	119-1031-15	1/10W 10k ohm	R774	119-2231-15	1/10W 22k ohm
R527	119-4721-15	1/10W 4.7k ohm	R559	119-1021-15	1/10W 1k ohm	R779	116-1821-15	1/4W 1.8k ohm
R528	032-0140-66	1/10W 220 ohm F	R560	119-1021-15	1/10W 1k ohm	R780	117-1821-15	1/8W 1.8k ohm
R529	119-1031-15	1/10W 10k ohm	R561	119-1021-15	1/10W 1k ohm	R781	119-0000-05	1/10W 0 ohm JW
R530	119-1041-15	1/10W 100k ohm	R562	119-1021-15	1/10W 1k ohm	R791	119-0000-05	1/10W 0 ohm JW
R531	119-1031-15	1/10W 10k ohm	R563	119-0000-05	1/10W 0 ohm JW	R792	116-4721-15	1/4W 4.7k ohm
R532	119-4721-15	1/10W 4.7k ohm	R564	119-1021-15	1/10W 1k ohm	R794	119-1831-15	1/10W 18k ohm
R533	119-4721-15	1/10W 4.7k ohm	R566	119-1021-15	1/10W 1k ohm	R795	119-4721-15	1/10W 4.7k ohm
R534	119-1021-15	1/10W 1k ohm	R568	119-4731-15	1/10W 47k ohm	R796	116-5611-15	1/4W 560 ohm
R535	119-1031-15	1/10W 10k ohm	R569	119-4731-15	1/10W 47k ohm	R801	119-0000-05	1/10W 0 ohm JW
R536	119-2221-15	1/10W 2.2k ohm	R572	119-4731-15	1/10W 47k ohm	R802	119-0000-05	1/10W 0 ohm JW
R537	119-1031-15	1/10W 10k ohm	R573	119-4731-15	1/10W 47k ohm	R821	116-4721-15	1/4W 4.7k ohm
R538	119-1031-15	1/10W 10k ohm	R576	119-0000-05	1/10W 0 ohm JW	R822	119-3321-15	1/10W 3.3k ohm
R539	119-1031-15	1/10W 10k ohm	R701	116-1211-15	1/4W 120 ohm	R823	119-1031-15	1/10W 10k ohm
R540	119-4731-15	1/10W 47k ohm	R702	116-6801-15	1/4W 68 ohm	R824	116-2221-15	1/4W 2.2k ohm
R541	119-5621-15	1/10W 5.6k ohm	R703	119-2231-15	1/10W 22k ohm	R825	116-2221-15	1/4W 2.2k ohm
R542	119-2231-15	1/10W 22k ohm	R704	119-2231-15	1/10W 22k ohm	R826	119-8221-15	1/10W 8.2k ohm
R544	119-4731-15	1/10W 47k ohm	R711	116-2221-15	1/4W 2.2k ohm	R904	119-0000-05	1/10W 0 ohm JW
R545	119-6831-15	1/10W 68k ohm	R712	117-1031-15	1/8W 10k ohm	SUP101	060-0122-20	DSP-141N-S00B
R546	119-1021-15	1/10W 1k ohm	R713	116-2221-15	1/4W 2.2k ohm	TH711	002-0318-21	THERMISTOR
R547	119-1021-15	1/10W 1k ohm	R714	119-1031-15	1/10W 10k ohm	TM101	073-0762-90	TERMINAL
R548	119-1031-15	1/10W 10k ohm	R715	119-3321-15	1/10W 3.3k ohm	TM501	073-0762-90	TERMINAL
R549	119-3341-15	1/10W 330k ohm	R726	119-1021-15	1/10W 1k ohm	TM502	073-0762-90	TERMINAL
R550	032-0140-22	1/10W 68k ohm F	R731	116-5621-15	1/4W 5.6k ohm	TM801	073-0762-90	TERMINAL
R551	032-0140-00	1/10W 56k ohm F	R732	116-4721-15	1/4W 4.7k ohm	TM802	073-0762-90	TERMINAL
R552	117-6821-15	1/8W 6.8k ohm	R761	032-0092-56	1/8W 22k ohm F	X121	061-1066-00	CRYSTAL 7.2MHZ
R553	119-4731-15	1/10W 47k ohm	R762	119-1541-15	1/10W 150k ohm	X501	060-1533-90	CSTCE10M0G52-RO
R554	119-4731-15	1/10W 47k ohm	R763	032-0092-51	1/8W 1k ohm F	PWB	039-3099-00	PWB(WITHOUT COMPONENT)
R555	119-5621-15	1/10W 5.6k ohm	R764	119-1221-15	1/10W 1.2k ohm			
R556	119-1021-15	1/10W 1k ohm	R772	119-2231-15	1/10W 22k ohm			
R557	119-4731-15	1/10W 47k ohm	R773	116-1021-15	1/4W 1k ohm			

Switch PWB section (B2)

REF No.	PART No.	DESCRIPTION	REF No.	PART No.	DESCRIPTION	REF No.	PART No.	DESCRIPTION
C100	168-1042-78	16V 0.1uF	D116	001-0580-90	1SS352	R112	119-8211-15	1/10W 820 ohm
C101	168-1042-78	16V 0.1uF	IC100	051-6084-00	NJU6625FG1-03	R113	119-8211-15	1/10W 820 ohm
C102	168-1042-78	16V 0.1uF	J100	074-3013-74	24P	R114	119-7511-15	1/10W 750 ohm
C103	168-1042-78	16V 0.1uF	L100	010-3406-66	22uH J	R116	119-0000-05	1/10W 0 ohm JW
C104	168-1042-78	16V 0.1uF	PL100	017-0420-43	14V 40mA RED	R117	119-0000-05	1/10W 0 ohm JW
C105	178-1052-78	1uF	PL101	017-0420-43	14V 40mA RED	R121	119-4341-15	1/10W 430k ohm
D100	001-7048-91	RFR1112H-22 C,D RED	PL102	017-0420-43	14V 40mA RED	R122	119-0000-05	1/10W 0 ohm JW
D101	001-7048-91	RFR1112H-22 C,D RED	PL104	017-0420-43	14V 40mA RED	R123	119-0000-05	1/10W 0 ohm JW
D102	001-7048-91	RFR1112H-22 C,D RED	PL105	017-0420-43	14V 40mA RED	R125	119-0000-05	1/10W 0 ohm JW
D103	001-7048-91	RFR1112H-22 C,D RED	PL106	017-0420-43	14V 40mA RED	R126	119-0000-05	1/10W 0 ohm JW
D104	001-7087-90	RBR1112H C,D,E RED	PL107	017-0420-43	14V 40mA RED	R128	119-1021-15	1/10W 1k ohm
D105	001-7048-91	RFR1112H-22 C,D RED	PL108	017-0420-43	14V 40mA RED	R129	119-1021-15	1/10W 1k ohm
D106	001-7048-91	RFR1112H-22 C,D RED	PL109	017-0420-43	14V 40mA RED	R131	119-0000-05	1/10W 0 ohm JW
D107	001-7048-91	RFR1112H-22 C,D RED	PL110	017-0420-43	14V 40mA RED	R132	119-0000-05	1/10W 0 ohm JW
D108	001-7048-91	RFR1112H-22 C,D RED	PL111	017-0420-43	14V 40mA RED	R200	119-1841-15	1/10W 180k ohm
D113	001-0580-90	1SS352	R100	119-5611-15	1/10W 560 ohm	R201	119-1841-15	1/10W 180k ohm
D114	001-0580-90	1SS352	R101	119-4711-15	1/10W 470 ohm	R202	119-1841-15	1/10W 180k ohm
D115	001-0580-90	1SS352	R102	119-4711-15	1/10W 470 ohm	R203	119-1841-15	1/10W 180k ohm
			R103	119-5611-15	1/10W 560 ohm	TH100	002-0306-90	SC20-3J153
			R104	119-4711-15	1/10W 470 ohm	TM100	073-0778-90	TERMINAL
			R105	119-4711-15	1/10W 470 ohm	VR100	016-0014-12	VR W/SHAFT
			R106	119-5611-15	1/10W 560 ohm	VR101	016-0014-12	VR W/SHAFT
			R107	119-4711-15	1/10W 470 ohm	VR103	012-6004-63	470k ohm B VR
			R108	119-4711-15	1/10W 470 ohm	PWB	039-3035-00	PWB(WITHOUT COMPONENT)
			R109	119-5611-15	1/10W 560 ohm			
			R110	119-4711-15	1/10W 470 ohm			
			R111	119-4711-15	1/10W 470 ohm			

EXPLODED VIEW/PARTS LIST

Main section

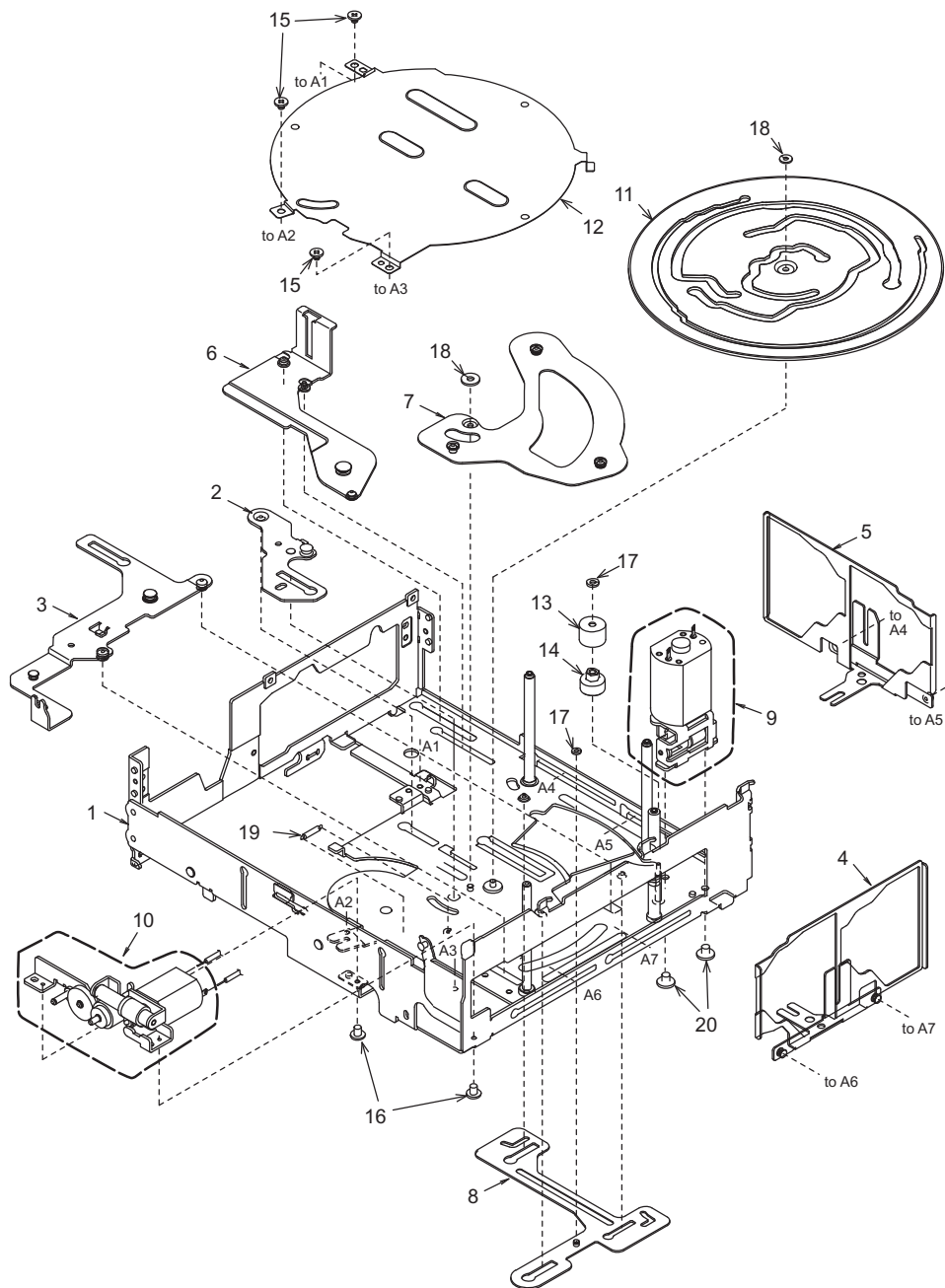


* Do not reuse the following parts.

(No.24,25,28,29,30,31,32)

NO.	PART NO.	DESCRIPTION	Q'TY	NO.	PART NO.	DESCRIPTION	Q'TY
1	966-1864-20	LOWER UNIT ASSY	1	20	621-1636-24	SW LINK	1
2	966-0667-21	DISC STP-ASSY L	1	21	621-1765-20	UD-GEAR-D	1
3	HBS-586-100	DH-SEL-ASSY S	1	22	621-1715-20	FPC-STOPPER	1
4	HBS-587-100	DH-SEL-ASSY R	1	23	716-1850-01	SCREW(M2.0x2.0)	4
5	966-0670-22	DS-SP-ASSY L	1	24	716-1850-02	SCREW(M2.0x2.0)	1
6	966-0671-23	DS-SP-ASSY R	1	25	716-1851-02	SCREW(M2.0x3.0)	1
7	966-0672-21	REAR-P-ASSY	1	26	716-3450-00	SCREW(M1.7x2.0)	2
8	966-1753-22	S-DRIVE-CH UNIT	1	27	716-3451-01	SCREW(M1.7x2.5)	8
9	966-1863-20	UPPER UNIT ASSY	1	28	746-0761-00	WASHER	2
10	HBS-566-300	DISC HOLDER UNIT	1	29	744-0045-01	C-RING	2
11	966-1771-21	SLIDE-P-ASSY F	1	30	347-7271-00	FPC SHEET	1
12	966-0709-21	SLIDE-P-ASSY R	1	31	347-7275-00	PROTECT SHEET	1
13	HBS-599-100	CD-PWB-ASSY	1	32	347-7276-00	FPC-SHEET C	1
14	620-1640-20	SW-H-PLATE	1	33	800-4921-60	VINYL-COAT-WIRE	1
15	620-1778-20	GAP PLATE F	1	34	802-4921-60	VINYL-COAT-WIRE	1
16	620-1662-21	GAP PLATE R	1	35	345-5824-00	RUBBER PART	1
17	620-1685-21	DS-PLATE L	1	36	621-1763-20	LOADING GUIDE B	1
18	620-1686-20	DS-PLATE R	1	37	716-1859-01	IT SCREW(M1.7 x 2)	1
19	621-1634-23	DISC STOPPER R	1				


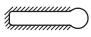

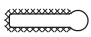

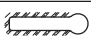


Lower unit assy section : 966-1864-20

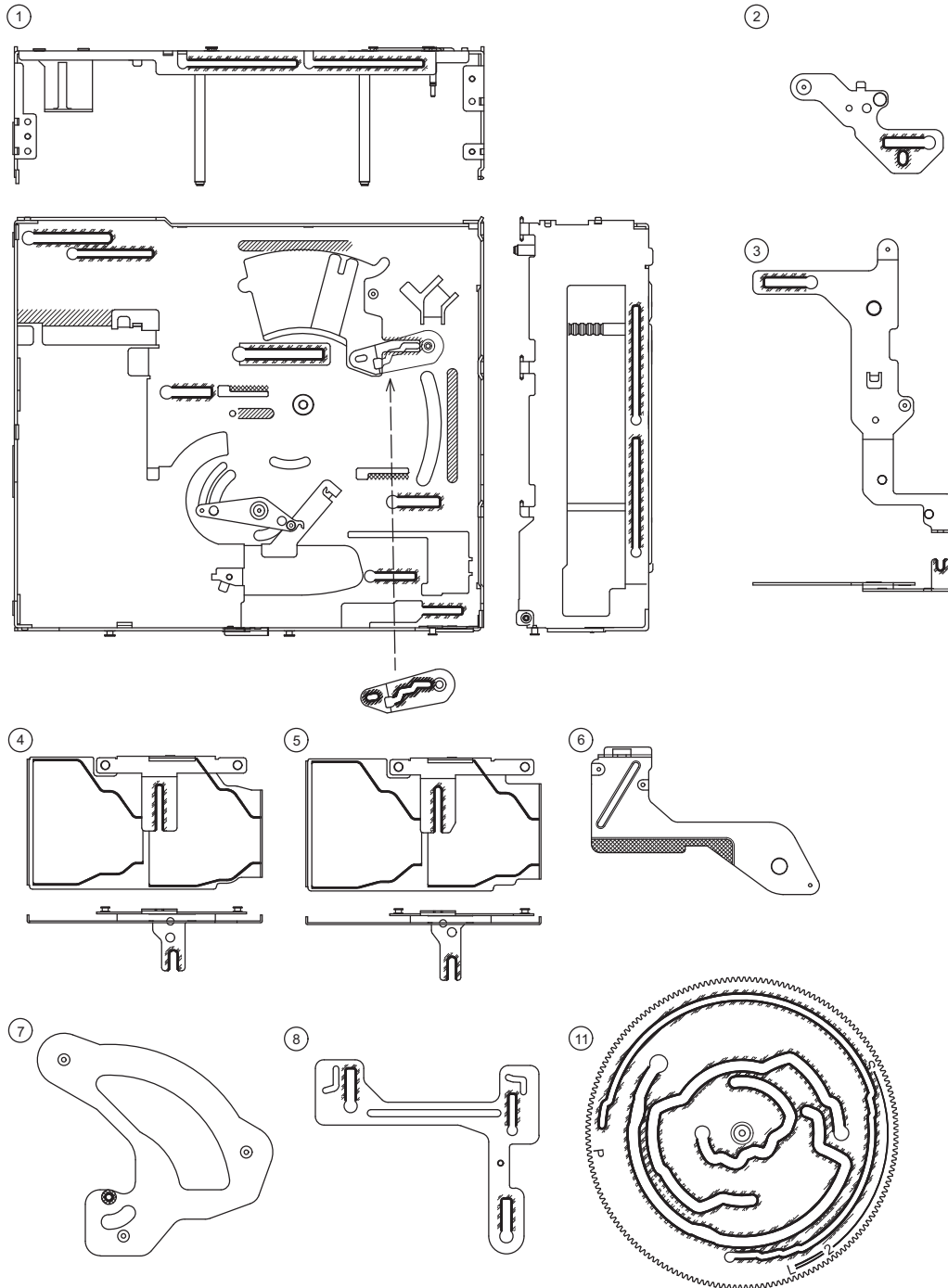


NO.	PART NO.	DESCRIPTION	Q'TY	NO.	PART NO.	DESCRIPTION	Q'TY
1	966-1757-25	LOWER-C-ASSY	1	11	620-1623-24	CAM GEAR	1
2	966-0658-22	DH-SP-ASSY A	1	12	620-1624-24	GEAR COVER	1
3	966-1758-20	DS-SP-ASSY A	1	13	621-0732-21	M-GEAR B	1
4	966-0660-22	DH-SP-ASSY S	1	14	621-0733-20	M-GEAR C	1
5	966-0661-23	DH-SP-ASSY R	1	15	716-1850-01	SCREW(M2.0x2.0)	5
6	966-0677-23	D-SHT PL-B-ASSY	1	16	716-3451-01	SCREW(M1.7x2.5)	2
7	966-0659-22	DH-SP-ASSY B	1	17	746-0761-00	WASHER	2
8	966-0666-22	DS-SP-ASSY B	1	18	746-0768-00	WASHER	2
9	HBS-546-100	M-MTR SUB ASSY	1	19	750-6756-20	SW-L-SPRING	1
10	HBS-568-100	UD-MOTOR-ASSY	1	20	716-1851-03	SCREW(M2.0x3.0)	2

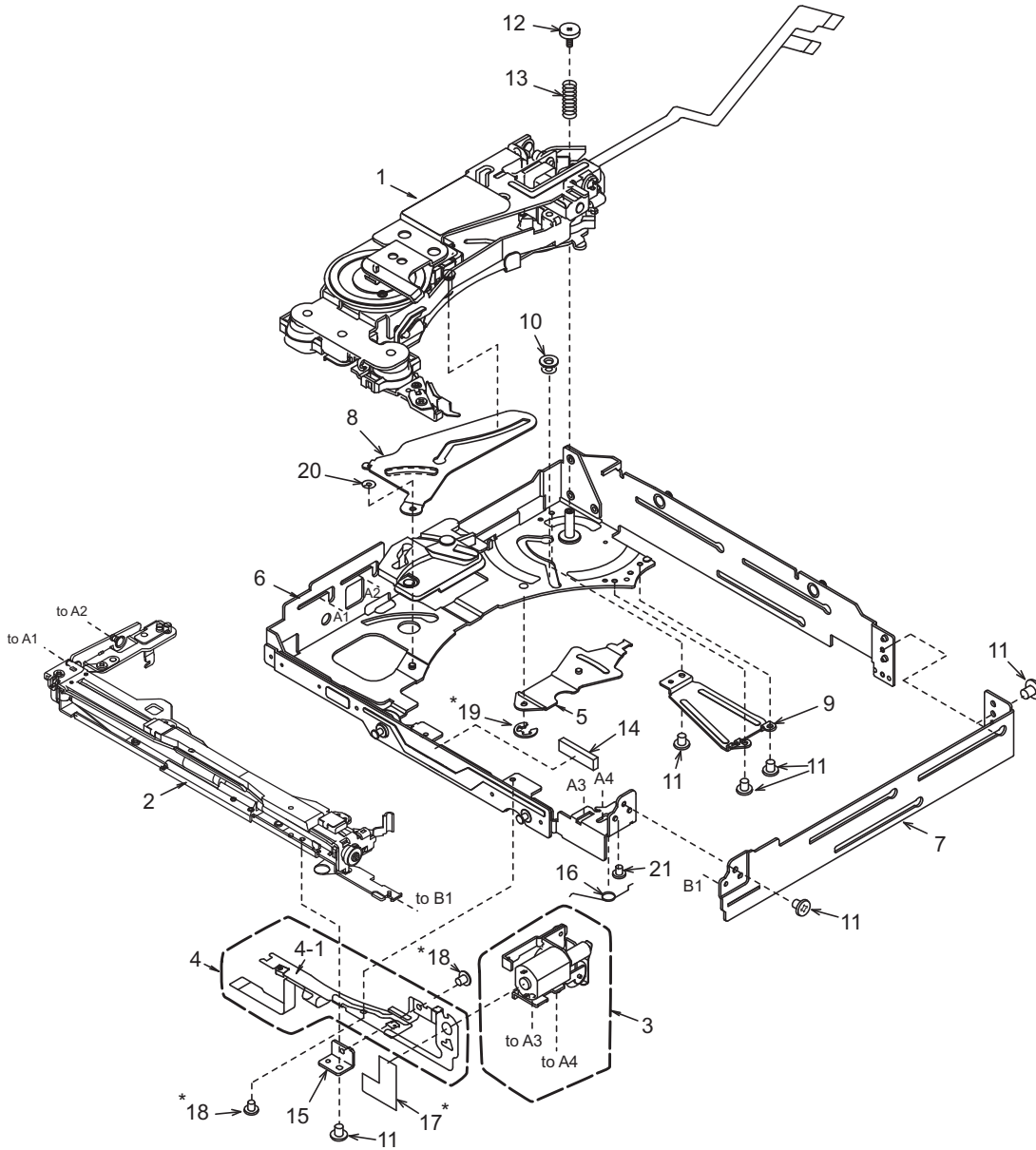
[Grease Point]

* Grease: SANKOL FG-87HSR

	Put grease on the surface	
	Put grease on the reverse side	
	Put grease on the both sides	
	Put grease on the edge	



S-Drive-CH unit section : 966-1753-22


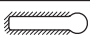

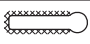
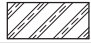





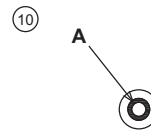
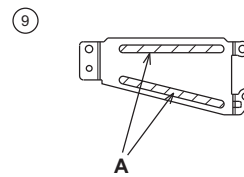
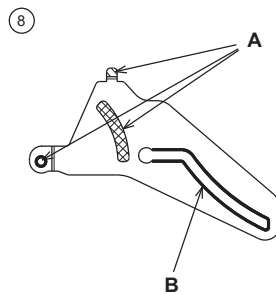
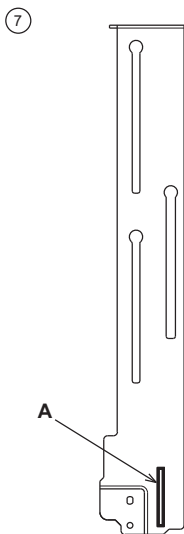
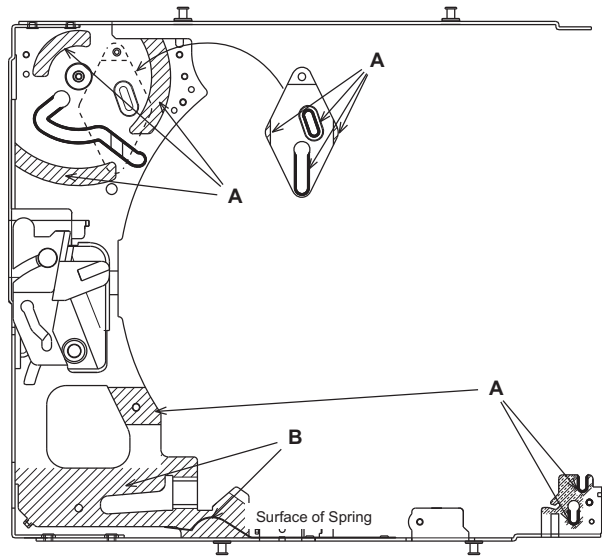
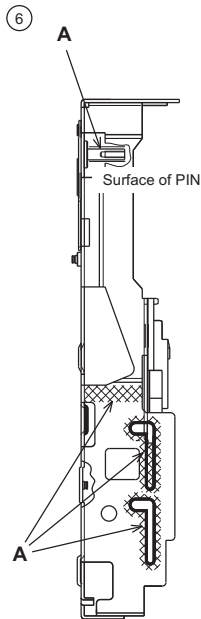
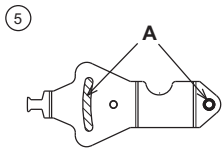
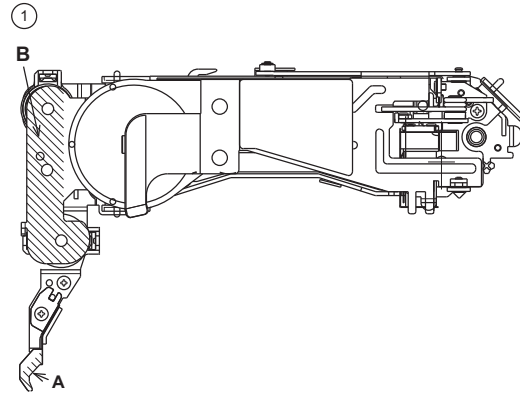
* Do not reuse the following parts.
(No.17,18,19,20)

NO.	PART NO.	DESCRIPTION	Q'TY	NO.	PART NO.	DESCRIPTION	Q'TY
1	HBS-565-200	N-DRIVE UNIT	1	11	716-3450-00	SCREW(M1.7x2.0)	6
2	HBS-567-200	LOADING-U-ASSY	1	12	716-3459-01	SCREW(M1.7x2.0)	1
3	HBS-556-100	LO-MOTOR-S-ASSY	1	13	750-6761-20	DRIVE SPRING A	1
4	HBS-552-200	L-SENSOR-S-ASSY	1	14	345-5868-01	RUBBER PART	1
4-1	-----	SENSOR-L-FPC	1	15	620-1651-21	S-PWB-PLATE	1
5	966-0676-21	D-SHT LK-A-ASSY	1	16	750-6754-20	LO-ES-SPRING B	1
6	966-1755-22	DRIVE-CH A ASSY	1	17	345-5424-01	SEN-FPC GUIDE	1
7	620-1681-21	DRIVE CHASSIS B	1	18	716-1859-01	SCREW(M1.7x2.0)	2
8	620-1672-21	DR-SUPPORT-PL	1	19	744-0039-00	E-RING	1
9	620-1680-20	D-SHIFT COVER	1	20	746-0870-00	WASHER	1
10	622-1743-21	D-SHIFT ROLLER B	1	21	716-3538-00	SCREW(M1.7x2.0)	1

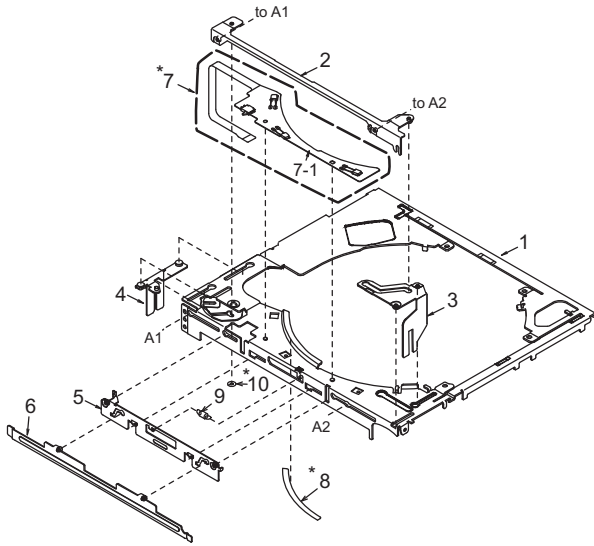
[Grease Point]

- * Grease A: SANKOL FG-87HSR
- * Grease B: SANKOL CFD-006MBL

	Put grease on the surface	
	Put grease on the reverse side	
	Put grease on the both sides	
	Put grease on the edge	



Upper unit assy section : 966-1764-21



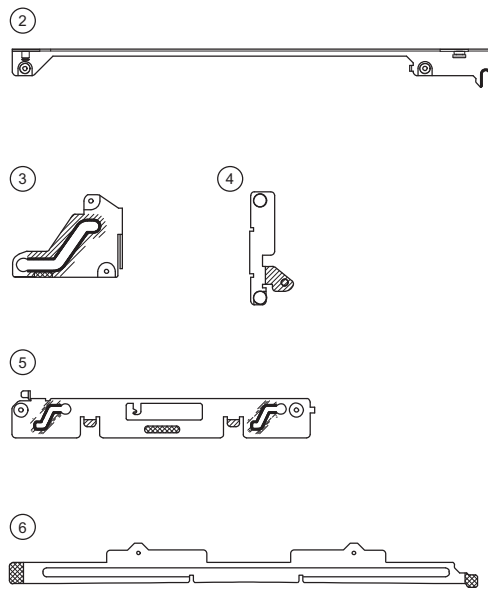
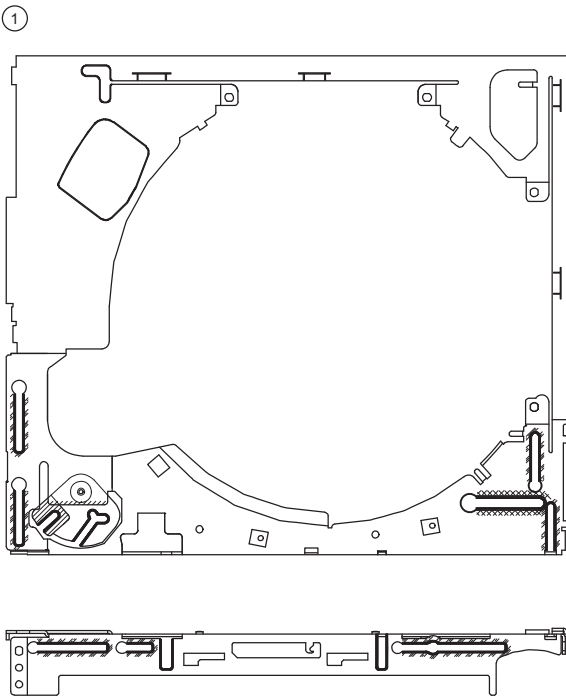
* Do not reuse the following parts.
(No.7,8,10)

NO.	PART NO.	DESCRIPTION	Q'TY
1	966-1761-21	UPPER-CHA-ASSY	1
2	966-1765-20	LO-SHIFT A ASSY	1
3	966-0700-22	LO-SHIFT B ASSY	1
4	966-0701-21	LO-SHIFT ASSY	1
5	966-1766-20	SHUTTER-PL-ASSY	1
6	966-1763-20	SHUTTER ASSY	1
7	HBS-553-200	U-SENSOR-S-ASSY	1
7-1	-----	SENSOR-U-FPC	1
8	347-7272-00	RATTLE SHEET	1
9	750-6755-21	SHUTTER SPRING	1
10	746-0870-00	WASHER	1

[Grease Point]

* Grease: SANKOL FG-87HSR

	Put grease on the surface	
	Put grease on the reverse side	
	Put grease on the both sides	
	Put grease on the edge	



ELECTRICAL PARTS LIST

CD PWB(BM1) section

REF No.	PART No.	DESCRIPTION	REF No.	PART No.	DESCRIPTION	REF No.	PART No.	DESCRIPTION
C1	042-0672-00	25V 47uF TA	C74	168-1042-78	16V 0.1uF	R17	119-4731-15	1/10W 47k ohm
C2	166-1011-50	100pF CH	C75	168-2222-55	2200pF K	R18	119-2231-15	1/10W 22k ohm
C3	168-1042-78	16V 0.1uF	C81	166-1007-50	10pF CH	R19	119-2231-15	1/10W 22k ohm
C4	178-1052-78	1uF	C82	166-1007-50	10pF CH	R20	119-4721-15	1/10W 4.7k ohm
C5	042-0671-01	10V 47uF TA	C83	178-1052-78	1uF	R21	119-4731-15	1/10W 47k ohm
C6	168-1042-78	16V 0.1uF	C85	178-1052-78	1uF	R22	119-4731-15	1/10W 47k ohm
C7	168-1032-55	0.01uF K	C86	166-1201-50	12pF CH	R23	119-4731-15	1/10W 47k ohm
C8	168-1042-78	16V 0.1uF	C87	042-1702-90	6.3V 100uF	R24	050-0145-58	1/16W 2.2k ohm x4
C9	178-1052-78	1uF	C91	168-1032-55	0.01uF K	R25	119-4721-15	1/10W 4.7k ohm
C10	168-1042-78	16V 0.1uF	CCT1	050-0145-59	1/16W 22 ohm x4	R26	119-4721-15	1/10W 4.7k ohm
C11	168-1042-78	16V 0.1uF	CCT2	050-0145-54	1/16W 47k ohm x4	R27	117-7511-15	1/8W 750 ohm
C12	178-1052-78	1uF	CCT3	050-0145-54	1/16W 47k ohm x4	R28	116-3391-15	1/4W 3.3 ohm
C13	178-1052-78	1uF	CCT4	050-0145-55	1/16W 10k ohm x4	R29	032-0145-73	1/2W 6.8 ohm
C14	042-0671-01	10V 47uF TA	D1	001-4301-14	HZU 3.0B1	R30	119-1041-15	1/10W 100k ohm
C15	168-1032-55	0.01uF K	D1	001-0529-14	MA8030-L	R31	119-6811-15	1/10W 680 ohm
C20	178-1052-78	1uF	D2	001-0367-91	1SS226	R32	119-1041-15	1/10W 100k ohm
C21	168-1042-78	16V 0.1uF	D3	001-4301-16	HZU 3.3B1	R33	119-6811-15	1/10W 680 ohm
C22	178-1052-78	1uF	D3	001-0529-16	MA8033-L	R34	119-1041-15	1/10W 100k ohm
C23	168-1042-78	16V 0.1uF	D4	001-4301-18	HZU 3.6B1	R35	117-5611-15	1/8W 560 ohm
C24	042-0671-01	10V 47uF TA	D4	001-0529-18	MA8036-L	R36	119-1041-15	1/10W 100k ohm
C25	168-1042-78	16V 0.1uF	IC1	051-6399-00	TC94A15F	R37	119-1041-15	1/10W 100k ohm
C26	168-1045-56	0.1uF Z	IC2	052-5070-20	TMP91CY22IFG-6NH7	R38	119-3321-15	1/10W 3.3k ohm
C27	168-4732-78	0.047uF K	IC3	051-6711-20	TC94A34FG-004	R39	119-1051-15	1/10W 1M ohm
C28	166-4701-50	47pF CH	IC4	051-6060-08	BD7961FM-E2	R40	119-0000-05	1/10W 0 ohm JW
C29	168-4732-78	0.047uF K	IC5	051-5452-90	BD5235G-TR	R41	119-1041-15	1/10W 100k ohm
C30	166-4711-50	470pF CH	IC6	051-9318-10	GLT4160L04P-60TC	R42	119-5621-15	1/10W 5.6k ohm
C31	168-1532-55	0.015uF K	IC6	051-9318-00	MSM51V17400J-60T	R43	119-4731-15	1/10W 47k ohm
C32	166-4711-50	470pF CH	IC8	051-9402-78	BR93L56RFVM-W	R44	119-2231-15	1/10W 22k ohm
C33	168-1042-78	16V 0.1uF	IC9	051-6072-08	BD7931FE2	R45	119-8231-15	1/10W 82k ohm
C34	168-6822-55	6800pF K	IC9	051-6072-08	BD7931FE2	R46	119-3341-15	1/10W 330k ohm
C35	168-1032-55	0.01uF K	IC10	051-5833-00	GP1S093HCZ	R48	119-2231-15	1/10W 22k ohm
C38	168-3332-78	0.033uF K	IC11	051-3364-90	NJU7771F15	R49	116-1001-15	1/4W 10 ohm
C39	168-4722-55	4700pF K	IC12	051-3364-90	NJU7771F15	R50	119-1011-15	1/10W 100 ohm
C40	168-1042-78	16V 0.1uF	J1	074-1237-69	19PIN	R51	119-6811-15	1/10W 680 ohm
C42	168-1042-78	16V 0.1uF	J2	074-1201-65	15P	R52	117-7511-15	1/8W 750 ohm
C43	168-1532-55	0.015uF K	J3	074-1138-56	6P	R53	116-5611-15	1/4W 560 ohm
C44	168-1042-78	16V 0.1uF	J4	074-1100-61	SOCKET 11P	R54	119-1041-15	1/10W 100k ohm
C45	168-1522-55	1500pF K	J5	074-1201-61	11P SOCKET	R55	119-1041-15	1/10W 100k ohm
C46	168-1042-78	16V 0.1uF	Q1	060-0252-01	PT4850F	R56	119-1041-15	1/10W 100k ohm
C47	166-6811-50	680pF	Q2	125-0021-91	DTA114EUA	R57	119-1041-15	1/10W 100k ohm
C48	166-6801-50	68pF CH	Q3	198-3018-00	2SK3018	R58	119-1041-15	1/10W 100k ohm
C49	178-1052-78	1uF	Q6	131-1188-50	2SB1188PQR	R59	116-1511-15	1/4W 150 ohm
C50	042-0671-01	10V 47uF TA	Q7	125-2027-91	DTC114EUA	R60	119-4731-15	1/10W 47k ohm
C51	042-0671-01	10V 47uF TA	Q8	131-1427-00	2SB1427	R61	119-4731-15	1/10W 47k ohm
C52	178-1052-78	1uF	Q9	131-1188-50	2SB1188PQR	R62	119-1051-15	1/10W 1M ohm
C53	168-1042-78	16V 0.1uF	Q10	125-2027-91	DTC114EUA	R64	032-0140-62	1/10W 1.0k ohm F
C54	178-1052-78	1uF	Q11	125-0021-91	DTA114EUA	R65	119-2211-15	1/10W 220 ohm
C55	178-1052-78	1uF	Q12	125-2027-91	DTC114EUA	R66	032-0140-53	1/10W 2.2k ohm F
C56	042-0671-01	10V 47uF TA	Q20	131-1427-00	2SB1427	R71	119-1011-15	1/10W 100 ohm
C57	168-1042-78	16V 0.1uF	R1	119-4731-15	1/10W 47k ohm	R72	119-1011-15	1/10W 100 ohm
C59	168-1042-78	16V 0.1uF	R2	119-2211-15	1/10W 220 ohm	R73	119-1011-15	1/10W 100 ohm
C60	178-1052-78	1uF	R3	119-2211-15	1/10W 220 ohm	R77	119-0000-05	1/10W 0 ohm JW
C61	168-1032-55	0.01uF K	R4	119-1041-15	1/10W 100k ohm	R82	119-1011-15	1/10W 100 ohm
C62	168-1042-78	16V 0.1uF	R5	119-4731-15	1/10W 47k ohm	R83	119-1031-15	1/10W 10k ohm
C63	168-1042-78	16V 0.1uF	R6	119-2211-15	1/10W 220 ohm	R85	119-1021-15	1/10W 1k ohm
C64	168-1042-78	16V 0.1uF	R7	119-2211-15	1/10W 220 ohm	R86	119-2231-15	1/10W 22k ohm
C65	168-1042-78	16V 0.1uF	R8	119-2211-15	1/10W 220 ohm	S1	013-7416-50	SW SPVL110200
C66	168-1042-78	16V 0.1uF	R10	032-0140-16	1/10W 180k ohm F	S2	013-7416-50	SW SPVL110200
C67	168-1042-78	16V 0.1uF	R11	032-0140-96	1/10W 120k ohm F	S3	013-7416-50	SW SPVL110200
C68	168-1042-78	16V 0.1uF	R12	119-2231-15	1/10W 22k ohm	S4	013-7415-50	SPVG110400
C70	168-1042-78	16V 0.1uF	R13	119-4711-15	1/10W 470 ohm	X1	061-3534-90	16.92MHz
C71	168-1042-78	16V 0.1uF	R14	119-2221-15	1/10W 2.2k ohm	X3	060-1545-90	20MHz
C72	168-1042-78	16V 0.1uF	R15	119-1031-15	1/10W 10k ohm	PWB	039-2747-21	PWB(WITHOUT COMPONENTS)
C73	178-1052-78	1uF	R16	119-0000-05	1/10W 0 ohm JW			

Sensor-L-PFC(BM2)

REF No.	PART No.	DESCRIPTION	REF No.	PART No.	DESCRIPTION	REF No.	PART No.	DESCRIPTION
PT1	060-0252-01	PT14850F	PT3	051-5833-00	GP1S093HCZ	PWB	039-2467-21	PWB(WITHOUT COMPONENTS)
PT2	060-0252-01	PT14850F						

Sensor-U-PFC(BM3)

REF No.	PART No.	DESCRIPTION	REF No.	PART No.	DESCRIPTION	REF No.	PART No.	DESCRIPTION
LED1	001-7077-00	GL4804	LED3	001-7077-00	GL4804	PWB	039-2466-20	PWB(WITHOUT COMPONENTS)
LED2	001-7077-00	GL4804	S5	013-7417-50	ABC1122P161			