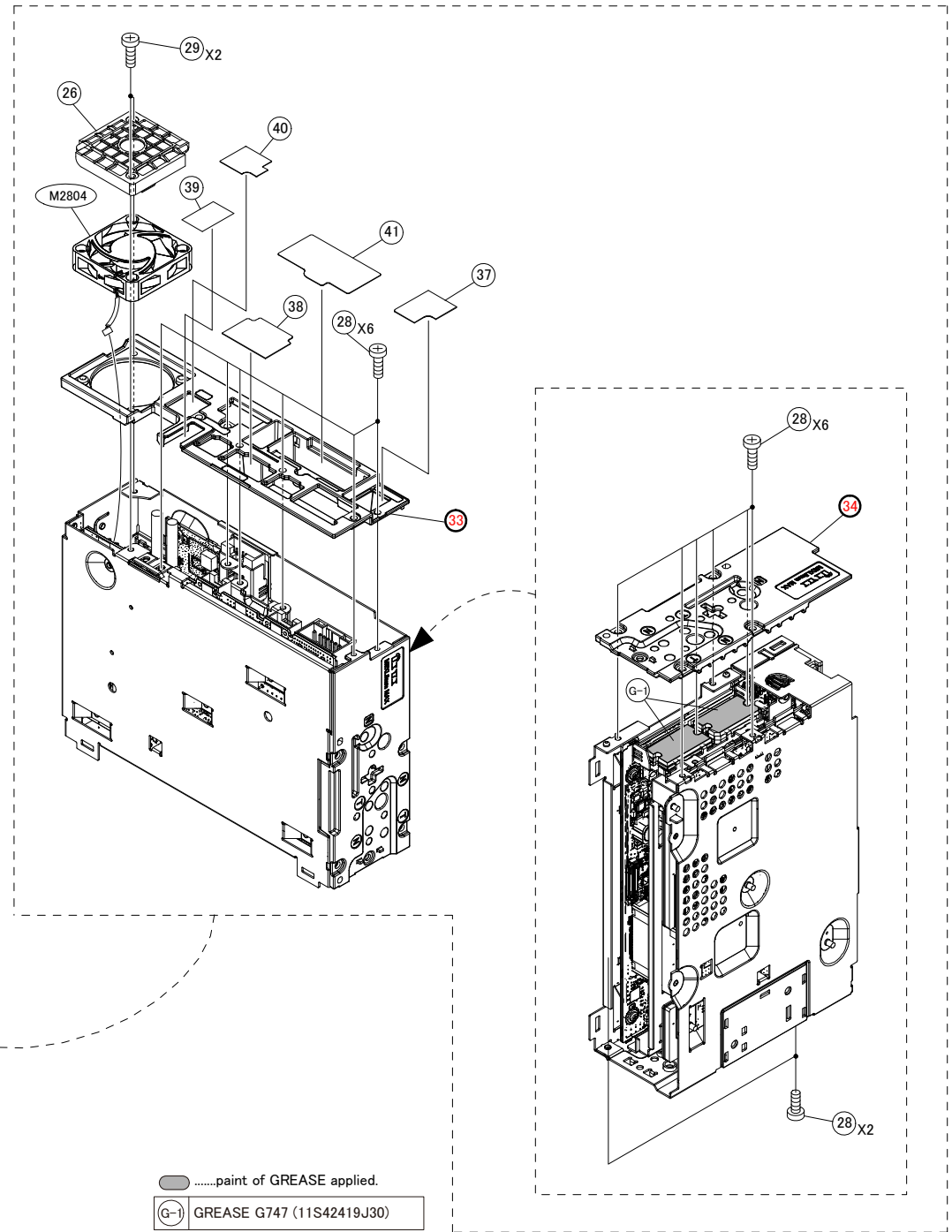
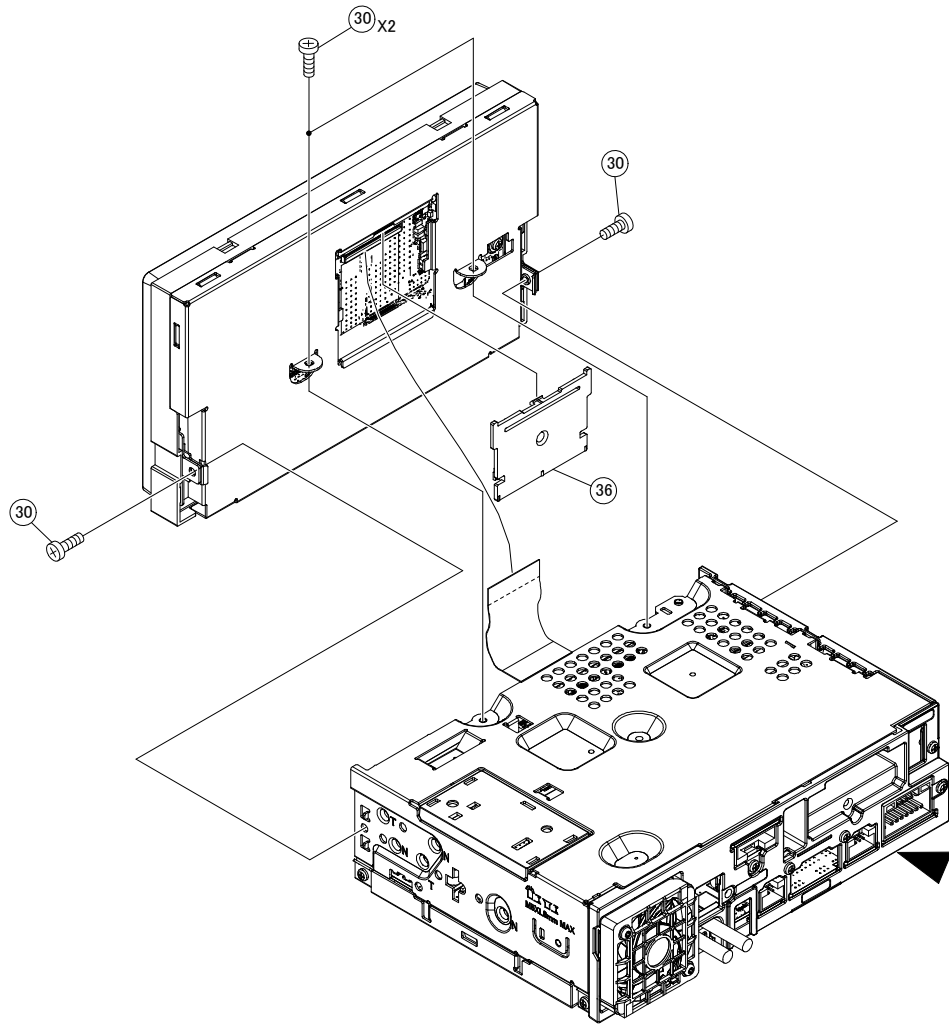
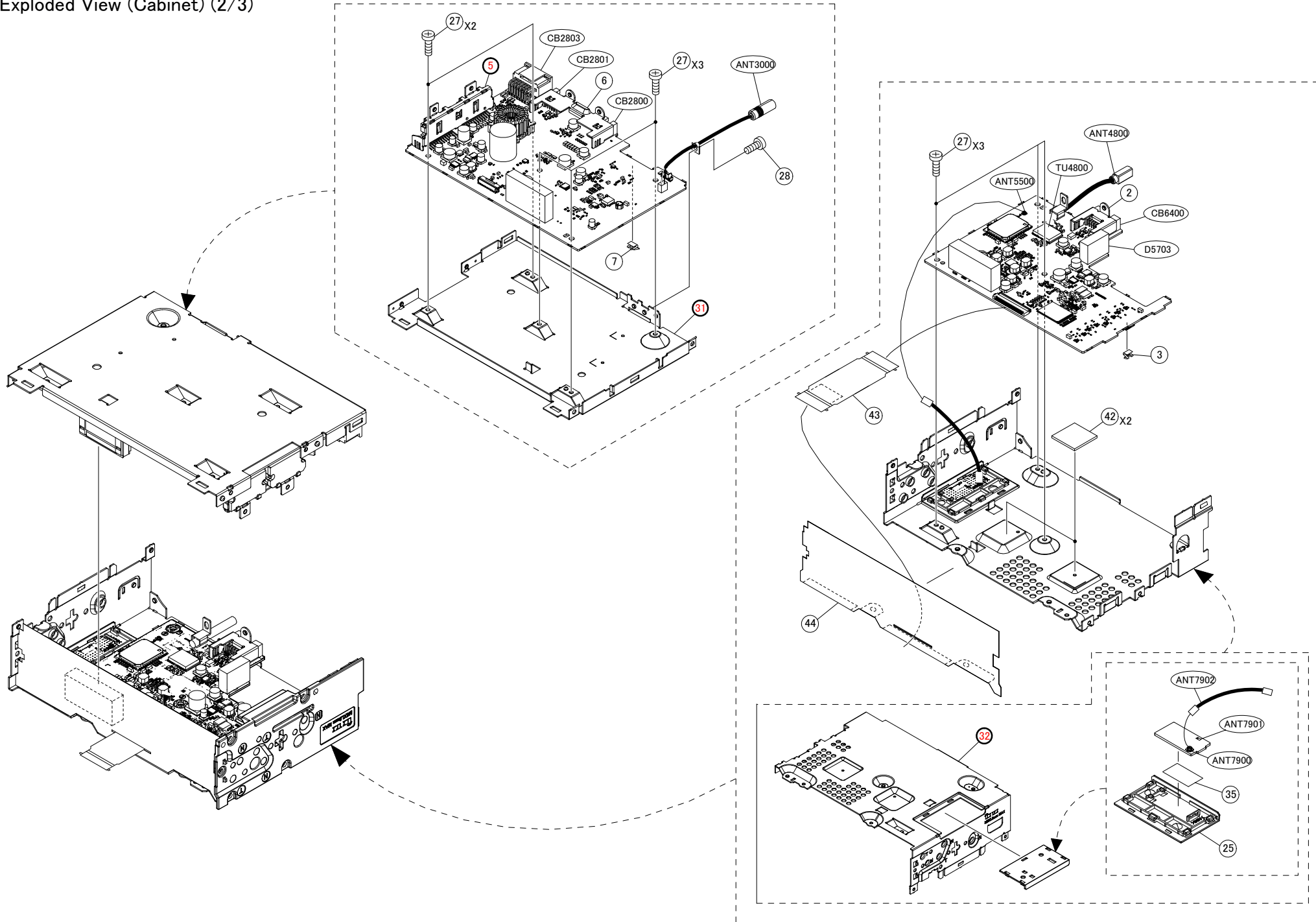


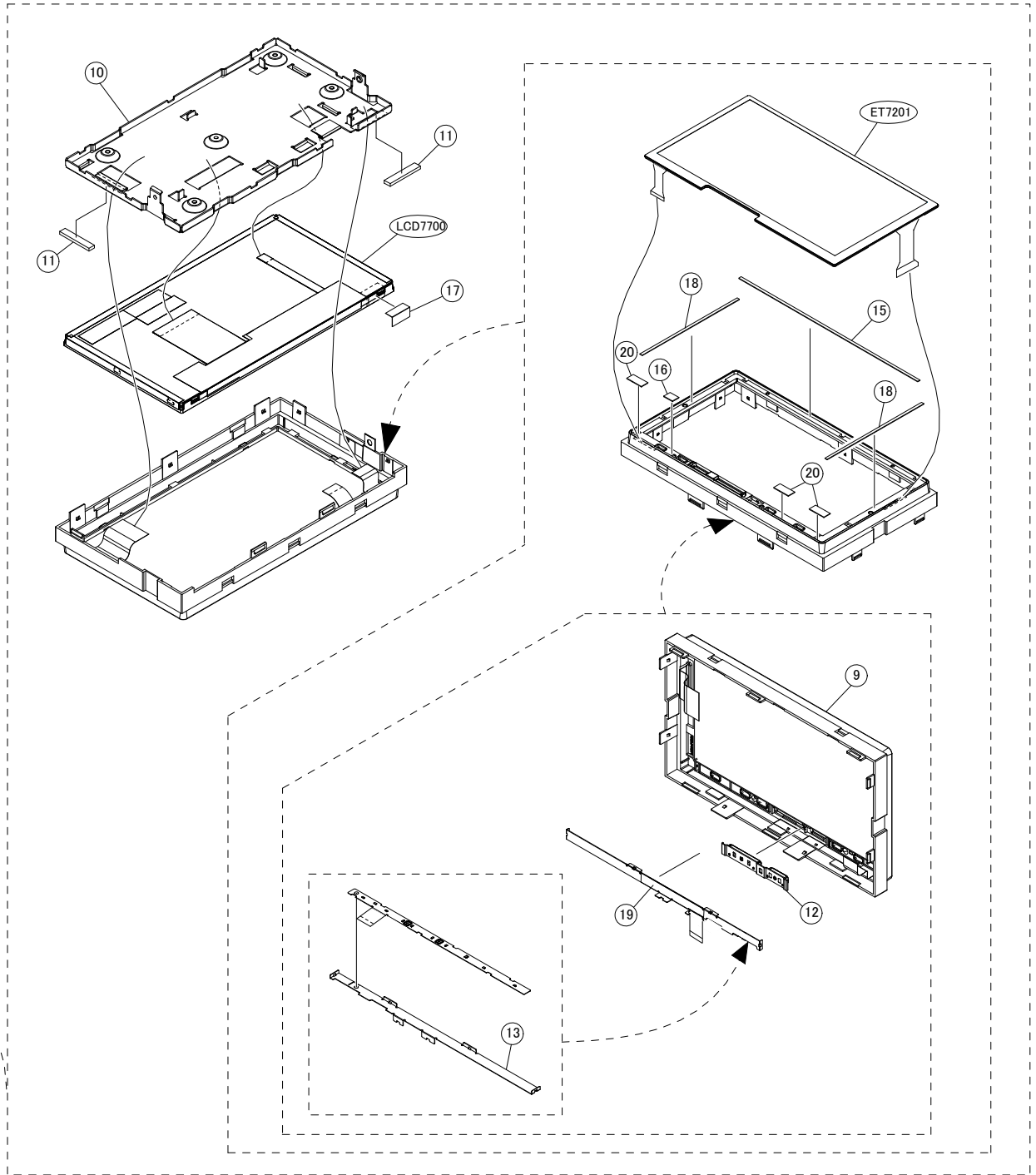
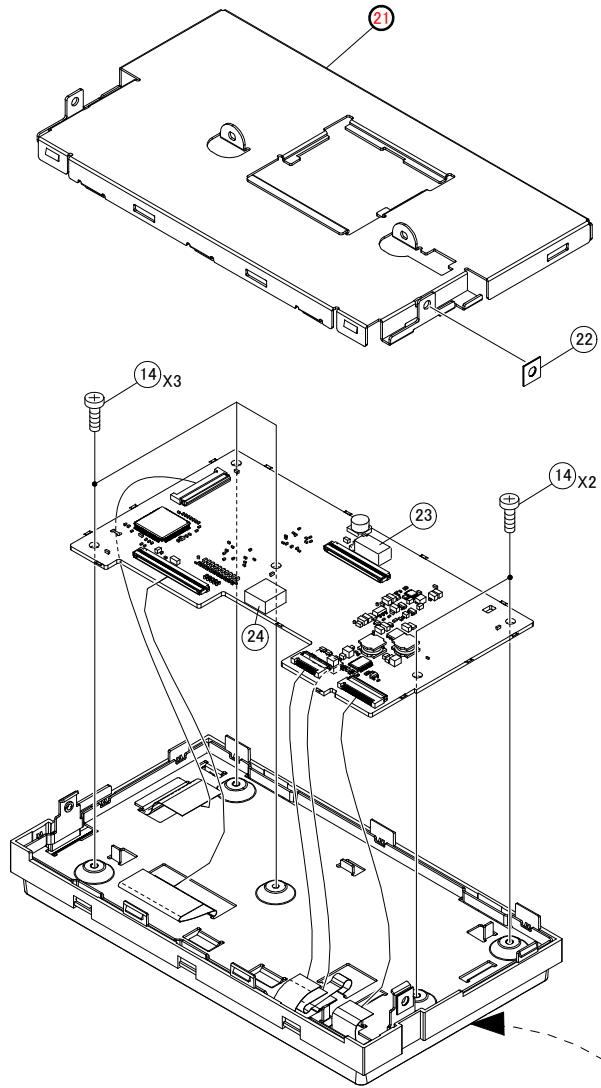
Exploded View (Cabinet) (1/3)



Exploded View (Cabinet) (2/3)



Exploded View (Cabinet) (3/3)

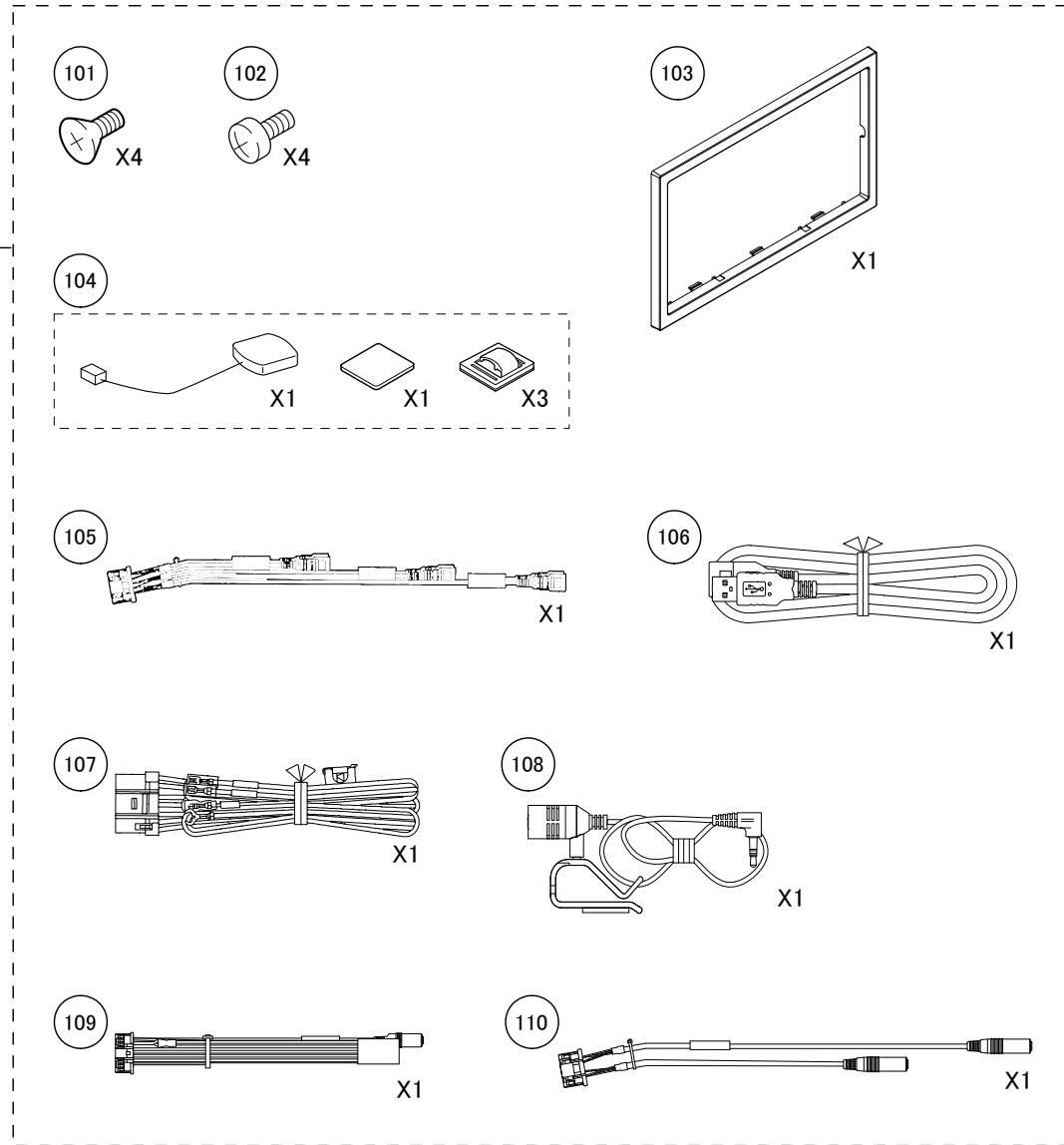
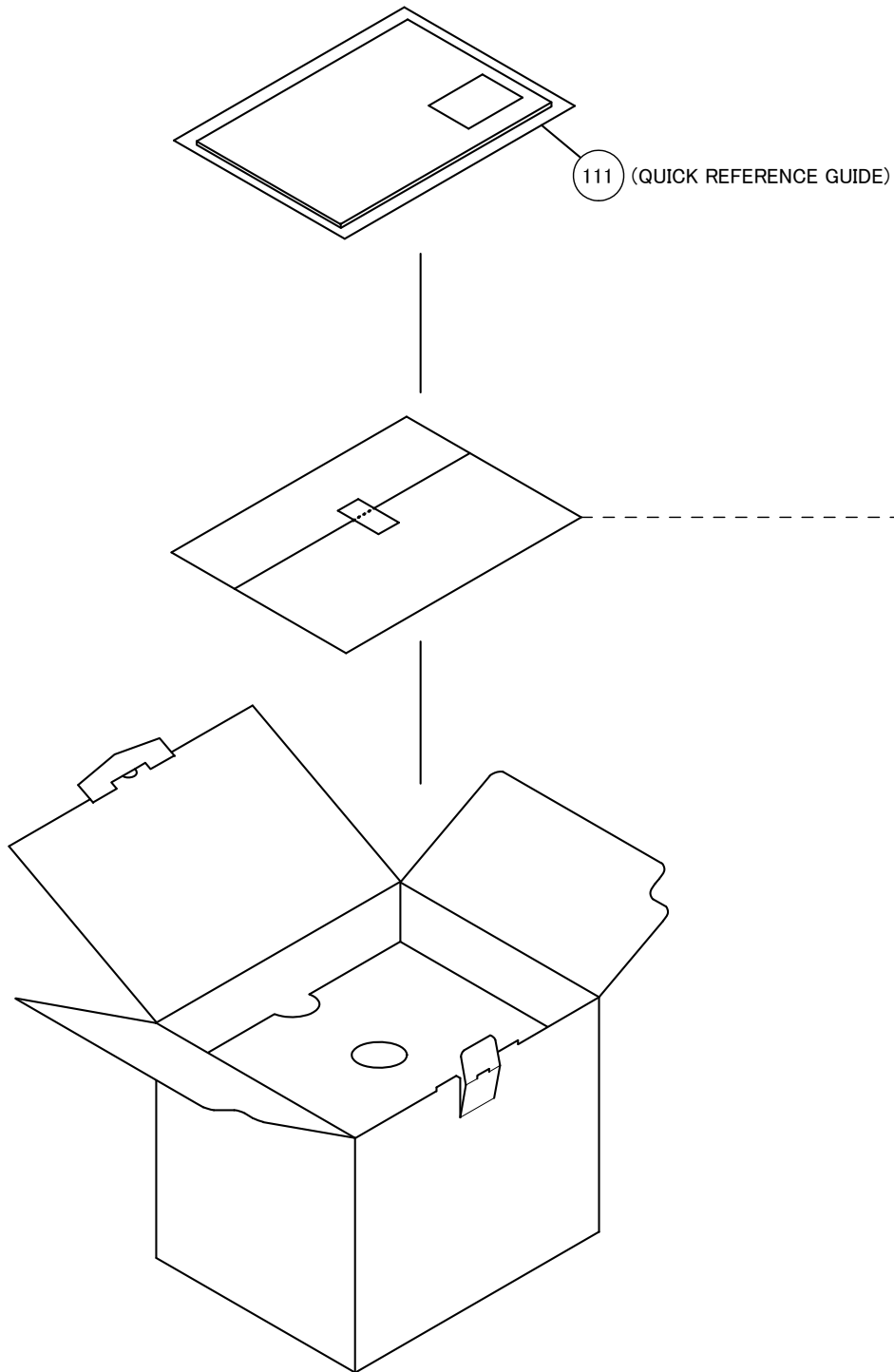


MODEL	Symbol No.	Parts No.	Description
	2	07-30183Z01	BKT,CONN CAN
	3	29-22483Z02	OG-453065 -E5
	5	-----	BKT,IC
	6	07-30184Z01	BKT,CONN PREOUT
	7	29-22483Z02	OG-453065 -E5
	9	13-33387Z01	NOSE,MONITOR
	10	07-33386Z01	BKT,LCD
	11	75-26715Z03	CUS,RUB 25X4XT2
	12	36-27021Z01	KNOB,FRONT ASSY
	13	07-27034Z01	BKT,KEY FPC ASSY
	14	03-12686Z01	SCR,S-T 2.6X6 ZN ATP
	15	14-24373Z81	INS,CVR 158.2X2XT0.4
	16	14-24373Z83	INS,CVR 7.5X5XT0.4
	17	14-24373Z84	INS,CVR 11X16XT0.1
	18	14-24373Z82	INS,CVR 84.8X2XT0.4
	19	14-28478Z64	INS,CVR52.6X5.5X0.26
	20	14-28478Z89	INS,CVR 15X5XT0.4
	21	-----	BKT,MONITOR
	22	14-30498Z01	INS,NOSE SIDE
	23	75-26715Z63	CUS,RUB 10X5XT6
	24	75-09893Z03	65TSV10-13(ZD5)H L10
	25	15-29982Z01	COVER,PLATE TOP
	26	15-12877Z01	COVER,FAN
	27	03-12686Z01	SCR,S-T 2.6X6 ZN ATP
	28	03S60822Y10	SCR,S-T 2.6X5 ZN A

MODEL	Symbol No.	Parts No.	Description
	29	03S60822Y31	SCR,S-T 2.6X18 ZN A
	30	03-00340Z01	SCR,S-T 2.6X6 ZB A
	31	-----	CHAS,BASE
	32	-----	COVER, TOP
	33	-----	BKT, REAR
	34	-----	HEAT, SINK
	35	14-28478Z77	INS,CVR 24X14XT0.15
	36	15-29983Z01	COVER,FPC
	37	14-30499Z01	INS,REAR LVDS
	38	14-30500Z01	INS,REAR KEY
	39	14-30501Z01	INS,REAR DAB
	40	14-33594Z01	INS,REAR GPS
	41	14-33595Z01	INS,REAR HDMI
	42	75-31381Z02	5580H-1.5-20-20
	43	84-31247Z02	FPC,16LINGO WIFI
	44	75-34748Z01	CUSHION,CHAS
	ANT3000	09-17241Z09	ASSY,ANID-0116-09A
	ANT4800	09-33691Z01	ASSY,ANID-0217-01A
	ANT5500	09-07494Z01	U.FL-R-SMT-1(80)-E2
	ANT7900	09-07494Z01	U.FL-R-SMT-1(80)-E2
	ANT7901	85-30932Z01	ANT,162442DT-2001-CP
	ANT7902	09-24492Z04	ASSY,U.FL-2LP-066N1
	CB2800	09-25106Z01	WTB,S10B-PUDSS-1 -DB
	CB2801	09-25106Z02	WTB,S12B-PUDSS-1 -DB
	CB2803	09T35473Y16	WTB,F169B001-16 -DB

MODEL	Symbol No.	Parts No.	Description
	CB6400	09-25106Z05	WTB,S18B-PUDSS-1 -DB
	D5703	09-34073Z01	SKT,48204-0001 -DB
	ET7201	40-25252Z04	ASSY,HCDSP0A004B
	LCD7700	65-21891Z01	ASSY,CLAA069LA0ACW
	M2804	59-14185Z03	MOTOR,ASB0412MA-9D11
	TU4800	TU-33964Z01	GPS GV-8620A -EA

Packing Method View



MODEL	Symbol No.	Parts No.	Description
	101	03S60820Y16	SCR,MCH 5X8 ZN A
	102	03S60820Y17	SCR,MCH 5X8 ZN A
	103	33-12546Z01	FACE,PLATE
	104	85-11368Z04	ASSY,YOP-5245AL06
	105	09-31130Z01	ASSY,ANID-0202-01A
	106	09-22649Z02	ASSY,ANID-0179-02A
	107	09-17244Z09	ASSY,ANIC-0050-09A
	108	50-14386Z03	ASSY,LYS-M9750-FUL
	109	09-31133Z03	ASSY,ANID-0205-04A
	110	09-31131Z02	ASSY,ANID-0203-04A
	111	68-30368Z58	C/N-QRG AOAM AOIW

P.W.Board	MIS	MODEL	Ref.	Parts No.	Parts Name
-----------	-----	-------	------	-----------	------------

IC2000(*) :51-25324Z01(MTP,D70F3343GC(A)-QT)

IC4300(*) :51-27465Z01(S29GL256S90TFI010-ST)

IC4400(*) :51-29432Z01(H26M41103HPR -BT)

IC7200(*) :51-28083Z01(CY8CTMA616AA-22 -QT)

Software is not written in to the part indicated with (*).

I.MX-P.W.Board			ANT4800	09-33691Z01	ASSY,ANID-0217-01A
I.MX-P.W.Board			ANT5500	09-07494Z01	U.FL-R-SMT-1(80)-E2
I.MX-P.W.Board			C4000	08S45231Y05	CAP,CER 2R0C-CK1H-CP
I.MX-P.W.Board			C4001	08S45231Y05	CAP,CER 2R0C-CK1H-CP
I.MX-P.W.Board			C4002	08S45231Y10	CAP,CER 7R0D-CH1H-CP
I.MX-P.W.Board			C4003	08S45231Y10	CAP,CER 7R0D-CH1H-CP
I.MX-P.W.Board			C4007	08-12461Z01	CAP,CER 104M-C80J-CP
I.MX-P.W.Board			C4008	08-12461Z01	CAP,CER 104M-C80J-CP
I.MX-P.W.Board			C4009	08S45232Y05	CAP,CER 102K-B1H -CP
I.MX-P.W.Board			C4010	08S45232Y05	CAP,CER 102K-B1H -CP
I.MX-P.W.Board			C4014	08-12461Z01	CAP,CER 104M-C80J-CP
I.MX-P.W.Board			C4015	08-12461Z01	CAP,CER 104M-C80J-CP
I.MX-P.W.Board			C4016	08-12461Z01	CAP,CER 104M-C80J-CP
I.MX-P.W.Board			C4017	08-12461Z01	CAP,CER 104M-C80J-CP
I.MX-P.W.Board			C4018	08-12461Z01	CAP,CER 104M-C80J-CP
I.MX-P.W.Board			C4024	08-12461Z01	CAP,CER 104M-C80J-CP
I.MX-P.W.Board			C4025	08-12461Z01	CAP,CER 104M-C80J-CP
I.MX-P.W.Board			C4026	08-12461Z01	CAP,CER 104M-C80J-CP
I.MX-P.W.Board			C4027	08-12461Z01	CAP,CER 104M-C80J-CP
I.MX-P.W.Board			C4028	08-12461Z01	CAP,CER 104M-C80J-CP

P.W.Board	MIS	MODEL	Ref.	Parts No.	Parts Name
I.MX-P.W.Board			C4029	08S35374W12	CAP,CER 106K-B0J -CP
I.MX-P.W.Board			C4030	08S65668Y05	CAP,CER 224KX5R1A-CP
I.MX-P.W.Board			C4031	08S65668Y05	CAP,CER 224KX5R1A-CP
I.MX-P.W.Board			C4032	08S65670Y06	CAP,CER 226KX5R1A-CP
I.MX-P.W.Board			C4033	08-12461Z01	CAP,CER 104M-C80J-CP
I.MX-P.W.Board			C4034	08-12461Z01	CAP,CER 104M-C80J-CP
I.MX-P.W.Board			C4035	08-12461Z01	CAP,CER 104M-C80J-CP
I.MX-P.W.Board			C4036	08-12461Z01	CAP,CER 104M-C80J-CP
I.MX-P.W.Board			C4037	08-12461Z01	CAP,CER 104M-C80J-CP
I.MX-P.W.Board			C4038	08-12461Z01	CAP,CER 104M-C80J-CP
I.MX-P.W.Board			C4039	08-12461Z01	CAP,CER 104M-C80J-CP
I.MX-P.W.Board			C4040	08-12461Z01	CAP,CER 104M-C80J-CP
I.MX-P.W.Board			C4041	08S35374W12	CAP,CER 106K-B0J -CP
I.MX-P.W.Board			C4042	08S45232Y17	CAP,CER 104K-B0J -CP
I.MX-P.W.Board			C4043	08S45232Y17	CAP,CER 104K-B0J -CP
I.MX-P.W.Board			C4044	08S45232Y17	CAP,CER 104K-B0J -CP
I.MX-P.W.Board			C4045	08S45232Y17	CAP,CER 104K-B0J -CP
I.MX-P.W.Board			C4046	08S45232Y17	CAP,CER 104K-B0J -CP
I.MX-P.W.Board			C4047	08S45232Y17	CAP,CER 104K-B0J -CP
I.MX-P.W.Board			C4048	08S45232Y17	CAP,CER 104K-B0J -CP
I.MX-P.W.Board			C4049	08S35349Y12	CAP,CER 105K-B0J -CP
I.MX-P.W.Board			C4050	08S45232Y17	CAP,CER 104K-B0J -CP
I.MX-P.W.Board			C4051	08S35374W11	CAP,CER 475K-B0J -CP
I.MX-P.W.Board			C4052	08S45232Y17	CAP,CER 104K-B0J -CP
I.MX-P.W.Board			C4053	08S65669Y03	CAP,CER 224KX7R1H-CP

P.W.Board	MIS	MODEL	Ref.	Parts No.	Parts Name
I.MX-P.W.Board			C4054	08-12461Z01	CAP,CER 104M-C80J-CP
I.MX-P.W.Board			C4055	08-12461Z01	CAP,CER 104M-C80J-CP
I.MX-P.W.Board			C4056	08-12461Z01	CAP,CER 104M-C80J-CP
I.MX-P.W.Board			C4057	08-12461Z01	CAP,CER 104M-C80J-CP
I.MX-P.W.Board			C4058	08-12461Z01	CAP,CER 104M-C80J-CP
I.MX-P.W.Board			C4061	08S65670Y06	CAP,CER 226KX5R1A-CP
I.MX-P.W.Board			C4063	08-12461Z01	CAP,CER 104M-C80J-CP
I.MX-P.W.Board			C4064	08-12461Z01	CAP,CER 104M-C80J-CP
I.MX-P.W.Board			C4065	08-12461Z01	CAP,CER 104M-C80J-CP
I.MX-P.W.Board			C4066	08-12461Z01	CAP,CER 104M-C80J-CP
I.MX-P.W.Board			C4067	08S65670Y06	CAP,CER 226KX5R1A-CP
I.MX-P.W.Board			C4068	08-12461Z01	CAP,CER 104M-C80J-CP
I.MX-P.W.Board			C4069	08-12461Z01	CAP,CER 104M-C80J-CP
I.MX-P.W.Board			C4070	08-12461Z01	CAP,CER 104M-C80J-CP
I.MX-P.W.Board			C4071	08-12461Z01	CAP,CER 104M-C80J-CP
I.MX-P.W.Board			C4072	08S45232Y17	CAP,CER 104K-B0J -CP
I.MX-P.W.Board			C4073	08S45232Y17	CAP,CER 104K-B0J -CP
I.MX-P.W.Board			C4074	08S45232Y17	CAP,CER 104K-B0J -CP
I.MX-P.W.Board			C4075	08S45232Y17	CAP,CER 104K-B0J -CP
I.MX-P.W.Board			C4076	08S35374W11	CAP,CER 475K-B0J -CP
I.MX-P.W.Board			C4077	08S65668Y05	CAP,CER 224KX5R1A-CP
I.MX-P.W.Board			C4078	08-12461Z01	CAP,CER 104M-C80J-CP
I.MX-P.W.Board			C4079	08S35374W12	CAP,CER 106K-B0J -CP
I.MX-P.W.Board			C4080	08S45232Y17	CAP,CER 104K-B0J -CP
I.MX-P.W.Board			C4081	08S65670Y06	CAP,CER 226KX5R1A-CP

P.W.Board	MIS	MODEL	Ref.	Parts No.	Parts Name
I.MX-P.W.Board			C4082	08S35374W12	CAP,CER 106K-B0J -CP
I.MX-P.W.Board			C4083	08S65670Y06	CAP,CER 226KX5R1A-CP
I.MX-P.W.Board			C4200	08-12461Z01	CAP,CER 104M-C80J-CP
I.MX-P.W.Board			C4201	08-12461Z01	CAP,CER 104M-C80J-CP
I.MX-P.W.Board			C4202	08-12461Z01	CAP,CER 104M-C80J-CP
I.MX-P.W.Board			C4203	08-12461Z01	CAP,CER 104M-C80J-CP
I.MX-P.W.Board			C4204	08S45232Y17	CAP,CER 104K-B0J -CP
I.MX-P.W.Board			C4205	08-12461Z01	CAP,CER 104M-C80J-CP
I.MX-P.W.Board			C4206	08-12461Z01	CAP,CER 104M-C80J-CP
I.MX-P.W.Board			C4207	08-12461Z01	CAP,CER 104M-C80J-CP
I.MX-P.W.Board			C4208	08S45232Y17	CAP,CER 104K-B0J -CP
I.MX-P.W.Board			C4209	08-12461Z01	CAP,CER 104M-C80J-CP
I.MX-P.W.Board			C4210	08-12461Z01	CAP,CER 104M-C80J-CP
I.MX-P.W.Board			C4211	08S45232Y05	CAP,CER 102K-B1H -CP
I.MX-P.W.Board			C4212	08S45232Y05	CAP,CER 102K-B1H -CP
I.MX-P.W.Board			C4213	08-12461Z01	CAP,CER 104M-C80J-CP
I.MX-P.W.Board			C4214	08-12461Z01	CAP,CER 104M-C80J-CP
I.MX-P.W.Board			C4215	08S45232Y05	CAP,CER 102K-B1H -CP
I.MX-P.W.Board			C4216	08S45232Y05	CAP,CER 102K-B1H -CP
I.MX-P.W.Board			C4217	08-12461Z01	CAP,CER 104M-C80J-CP
I.MX-P.W.Board			C4218	08-12461Z01	CAP,CER 104M-C80J-CP
I.MX-P.W.Board			C4219	08-12461Z01	CAP,CER 104M-C80J-CP
I.MX-P.W.Board			C4220	08-12461Z01	CAP,CER 104M-C80J-CP
I.MX-P.W.Board			C4221	08-12461Z01	CAP,CER 104M-C80J-CP
I.MX-P.W.Board			C4222	08-12461Z01	CAP,CER 104M-C80J-CP

P.W.Board	MIS	MODEL	Ref.	Parts No.	Parts Name
I.MX-P.W.Board			C4223	08-12461Z01	CAP,CER 104M-C80J-CP
I.MX-P.W.Board			C4224	08S45232Y17	CAP,CER 104K-B0J -CP
I.MX-P.W.Board			C4225	08S45232Y17	CAP,CER 104K-B0J -CP
I.MX-P.W.Board			C4226	08-12461Z01	CAP,CER 104M-C80J-CP
I.MX-P.W.Board			C4227	08-12461Z01	CAP,CER 104M-C80J-CP
I.MX-P.W.Board			C4228	08S45232Y05	CAP,CER 102K-B1H -CP
I.MX-P.W.Board			C4229	08S45232Y05	CAP,CER 102K-B1H -CP
I.MX-P.W.Board			C4230	08-12461Z01	CAP,CER 104M-C80J-CP
I.MX-P.W.Board			C4231	08-12461Z01	CAP,CER 104M-C80J-CP
I.MX-P.W.Board			C4232	08S45232Y05	CAP,CER 102K-B1H -CP
I.MX-P.W.Board			C4233	08S45232Y05	CAP,CER 102K-B1H -CP
I.MX-P.W.Board			C4234	08-12461Z01	CAP,CER 104M-C80J-CP
I.MX-P.W.Board			C4235	08-12461Z01	CAP,CER 104M-C80J-CP
I.MX-P.W.Board			C4236	08-12461Z01	CAP,CER 104M-C80J-CP
I.MX-P.W.Board			C4237	08-12461Z01	CAP,CER 104M-C80J-CP
I.MX-P.W.Board			C4238	08-12461Z01	CAP,CER 104M-C80J-CP
I.MX-P.W.Board			C4239	08-12461Z01	CAP,CER 104M-C80J-CP
I.MX-P.W.Board			C4240	08-12461Z01	CAP,CER 104M-C80J-CP
I.MX-P.W.Board			C4241	08S45232Y17	CAP,CER 104K-B0J -CP
I.MX-P.W.Board			C4242	08S45232Y17	CAP,CER 104K-B0J -CP
I.MX-P.W.Board			C4243	08-12461Z01	CAP,CER 104M-C80J-CP
I.MX-P.W.Board			C4244	08-12461Z01	CAP,CER 104M-C80J-CP
I.MX-P.W.Board			C4245	08S45232Y05	CAP,CER 102K-B1H -CP
I.MX-P.W.Board			C4246	08S45232Y05	CAP,CER 102K-B1H -CP
I.MX-P.W.Board			C4247	08-12461Z01	CAP,CER 104M-C80J-CP

P.W.Board	MIS	MODEL	Ref.	Parts No.	Parts Name
I.MX-P.W.Board			C4248	08-12461Z01	CAP,CER 104M-C80J-CP
I.MX-P.W.Board			C4249	08S45232Y05	CAP,CER 102K-B1H -CP
I.MX-P.W.Board			C4250	08S45232Y05	CAP,CER 102K-B1H -CP
I.MX-P.W.Board			C4251	08-12461Z01	CAP,CER 104M-C80J-CP
I.MX-P.W.Board			C4252	08-12461Z01	CAP,CER 104M-C80J-CP
I.MX-P.W.Board			C4253	08-12461Z01	CAP,CER 104M-C80J-CP
I.MX-P.W.Board			C4254	08-12461Z01	CAP,CER 104M-C80J-CP
I.MX-P.W.Board			C4255	08-12461Z01	CAP,CER 104M-C80J-CP
I.MX-P.W.Board			C4256	08-12461Z01	CAP,CER 104M-C80J-CP
I.MX-P.W.Board			C4257	08-12461Z01	CAP,CER 104M-C80J-CP
I.MX-P.W.Board			C4258	08S45232Y17	CAP,CER 104K-B0J -CP
I.MX-P.W.Board			C4259	08S45232Y17	CAP,CER 104K-B0J -CP
I.MX-P.W.Board			C4260	08-12461Z01	CAP,CER 104M-C80J-CP
I.MX-P.W.Board			C4261	08-12461Z01	CAP,CER 104M-C80J-CP
I.MX-P.W.Board			C4262	08S45232Y05	CAP,CER 102K-B1H -CP
I.MX-P.W.Board			C4263	08S45232Y05	CAP,CER 102K-B1H -CP
I.MX-P.W.Board			C4264	08-12461Z01	CAP,CER 104M-C80J-CP
I.MX-P.W.Board			C4265	08-12461Z01	CAP,CER 104M-C80J-CP
I.MX-P.W.Board			C4266	08S45232Y05	CAP,CER 102K-B1H -CP
I.MX-P.W.Board			C4267	08S45232Y05	CAP,CER 102K-B1H -CP
I.MX-P.W.Board			C4268	08-13830Z01	CAP,CER 476MX6S0G-CP
I.MX-P.W.Board			C4269	08S45232Y17	CAP,CER 104K-B0J -CP
I.MX-P.W.Board			C4270	08-13830Z01	CAP,CER 476MX6S0G-CP
I.MX-P.W.Board			C4271	08S45232Y17	CAP,CER 104K-B0J -CP
I.MX-P.W.Board			C4300	08S35349Y12	CAP,CER 105K-B0J -CP

P.W.Board	MIS	MODEL	Ref.	Parts No.	Parts Name
I.MX-P.W.Board			C4301	08S45232Y17	CAP,CER 104K-B0J -CP
I.MX-P.W.Board			C4302	08S45232Y17	CAP,CER 104K-B0J -CP
I.MX-P.W.Board			C4400	08S65668Y05	CAP,CER 224KX5R1A-CP
I.MX-P.W.Board			C4401	08S65668Y05	CAP,CER 224KX5R1A-CP
I.MX-P.W.Board			C4402	08S65668Y05	CAP,CER 224KX5R1A-CP
I.MX-P.W.Board			C4403	08S45232Y17	CAP,CER 104K-B0J -CP
I.MX-P.W.Board			C4404	08S35374W11	CAP,CER 475K-B0J -CP
I.MX-P.W.Board			C4500	08S65668Y05	CAP,CER 224KX5R1A-CP
I.MX-P.W.Board			C4600	08S65668Y05	CAP,CER 224KX5R1A-CP
I.MX-P.W.Board			C4601	08S45232Y17	CAP,CER 104K-B0J -CP
I.MX-P.W.Board			C4602	08S45232Y17	CAP,CER 104K-B0J -CP
I.MX-P.W.Board			C4603	08S65668Y07	CAP,CER 103KX5R1H-CP
I.MX-P.W.Board			C4700	08S65668Y05	CAP,CER 224KX5R1A-CP
I.MX-P.W.Board			C4800	08S35374W12	CAP,CER 106K-B0J -CP
I.MX-P.W.Board			C4801	08S65669Y03	CAP,CER 224KX7R1H-CP
I.MX-P.W.Board			C4802	08-19311Z05	CAP,CER 224KX7R1H-CP
I.MX-P.W.Board			C4803	08S65677Y06	CAP,CER 226MX7R1C-CP
I.MX-P.W.Board			C4805	08S45231Y14	CAP,CER 12RJ-CH1H-CP
I.MX-P.W.Board			C4806	08S35349Y21	CAP,CER 104K-B1H -CP
I.MX-P.W.Board			C4811	08S65669Y03	CAP,CER 224KX7R1H-CP
I.MX-P.W.Board			C4812	08S45231Y19	CAP,CER 33RJ-CH1H-CP
I.MX-P.W.Board			C4813	08S35374W12	CAP,CER 106K-B0J -CP
I.MX-P.W.Board			C4814	08S65669Y03	CAP,CER 224KX7R1H-CP
I.MX-P.W.Board			C4815	08S35374W12	CAP,CER 106K-B0J -CP
I.MX-P.W.Board			C4817	08S45231Y17	CAP,CER 22RJ-CH1H-CP

P.W.Board	MIS	MODEL	Ref.	Parts No.	Parts Name
I.MX-P.W.Board			C4818	08-16834Z01	CAP,CER 104KX7R1H-CP
I.MX-P.W.Board			C4819	08S35349Y17	CAP,CER 225K-B0J -CP
I.MX-P.W.Board			C4820	08S65676Y03	CAP,CER 225KX7R1C-CP
I.MX-P.W.Board			C4822	08S65669Y03	CAP,CER 224KX7R1H-CP
I.MX-P.W.Board			C4823	08S65669Y03	CAP,CER 224KX7R1H-CP
I.MX-P.W.Board			C4900	08S35349Y16	CAP,CER 105K-B1A -CP
I.MX-P.W.Board			C4901	08S35349Y16	CAP,CER 105K-B1A -CP
I.MX-P.W.Board			C4902	08S45676W80	CAP,CER 223K-B1E -CP
I.MX-P.W.Board			C4903	08S45231Y27	CAP,CER 151J-CH1H-CP
I.MX-P.W.Board			C4904	08S45232Y17	CAP,CER 104K-B0J -CP
I.MX-P.W.Board			C5000	08S35374W12	CAP,CER 106K-B0J -CP
I.MX-P.W.Board			C5001	08S45676W85	CAP,CER 104K-B1C -CP
I.MX-P.W.Board			C5002	08S45232Y11	CAP,CER 103K-B1C -CP
I.MX-P.W.Board			C5003	08S45676W85	CAP,CER 104K-B1C -CP
I.MX-P.W.Board			C5004	08S45676W85	CAP,CER 104K-B1C -CP
I.MX-P.W.Board			C5007	08S45232Y05	CAP,CER 102K-B1H -CP
I.MX-P.W.Board			C5008	08S35349Y16	CAP,CER 105K-B1A -CP
I.MX-P.W.Board			C5009	08S35349Y16	CAP,CER 105K-B1A -CP
I.MX-P.W.Board			C5010	08S45676W85	CAP,CER 104K-B1C -CP
I.MX-P.W.Board			C5011	08S45676W85	CAP,CER 104K-B1C -CP
I.MX-P.W.Board			C5012	08S45676W85	CAP,CER 104K-B1C -CP
I.MX-P.W.Board			C5013	08S45676W85	CAP,CER 104K-B1C -CP
I.MX-P.W.Board			C5014	08S45676W85	CAP,CER 104K-B1C -CP
I.MX-P.W.Board			C5015	08S35374W12	CAP,CER 106K-B0J -CP
I.MX-P.W.Board			C5016	08S45676W85	CAP,CER 104K-B1C -CP

P.W.Board	MIS	MODEL	Ref.	Parts No.	Parts Name
I.MX-P.W.Board			C5017	08S35374W12	CAP,CER 106K-B0J -CP
I.MX-P.W.Board			C5018	08S45231Y19	CAP,CER 33RJ-CH1H-CP
I.MX-P.W.Board			C5019	08S45231Y11	CAP,CER 8R0D-CH1H-CP
I.MX-P.W.Board			C5020	08S45231Y10	CAP,CER 7R0D-CH1H-CP
I.MX-P.W.Board			C5021	08S45676W85	CAP,CER 104K-B1C -CP
I.MX-P.W.Board			C5022	08S45232Y05	CAP,CER 102K-B1H -CP
I.MX-P.W.Board			C5025	08-32860Z04	CAP,CER 102JCG1HQ2CP
I.MX-P.W.Board			C5026	08S45232Y08	CAP,CER 332K-B1H -CP
I.MX-P.W.Board			C5501	08S45232Y21	CAP,CER 104K-B1A-CP
I.MX-P.W.Board			C5502	08S65676Y08	CAP,CER 106K-X7R1ACP
I.MX-P.W.Board			C5506	08S45232Y21	CAP,CER 104K-B1A-CP
I.MX-P.W.Board			C5507	08S65676Y08	CAP,CER 106K-X7R1ACP
I.MX-P.W.Board			C5509	08S45232Y21	CAP,CER 104K-B1A-CP
I.MX-P.W.Board			C5510	08S65676Y08	CAP,CER 106K-X7R1ACP
I.MX-P.W.Board			C5600	08S45232Y17	CAP,CER 104K-B0J -CP
I.MX-P.W.Board			C5601	08S65670Y06	CAP,CER 226KX5R1A-CP
I.MX-P.W.Board			C5602	08S65670Y06	CAP,CER 226KX5R1A-CP
I.MX-P.W.Board			C5603	08S65667Y07	CAP,CER 225KX5R1A-CP
I.MX-P.W.Board			C5604	08S65667Y07	CAP,CER 225KX5R1A-CP
I.MX-P.W.Board			C5605	08S65667Y07	CAP,CER 225KX5R1A-CP
I.MX-P.W.Board			C5606	08S65667Y07	CAP,CER 225KX5R1A-CP
I.MX-P.W.Board			C5607	08S45231Y25	CAP,CER 101J-CH1H-CP
I.MX-P.W.Board			C5608	08S65670Y06	CAP,CER 226KX5R1A-CP
I.MX-P.W.Board			C5609	08S65670Y06	CAP,CER 226KX5R1A-CP
I.MX-P.W.Board			C5610	08-19311Z05	CAP,CER 224KX7R1H-CP

P.W.Board	MIS	MODEL	Ref.	Parts No.	Parts Name
I.MX-P.W.Board			C5611	08S45231Y25	CAP,CER 101J-CH1H-CP
I.MX-P.W.Board			C5612	08S65670Y06	CAP,CER 226KX5R1A-CP
I.MX-P.W.Board			C5613	08S65670Y06	CAP,CER 226KX5R1A-CP
I.MX-P.W.Board			C5614	08-19311Z05	CAP,CER 224KX7R1H-CP
I.MX-P.W.Board			C5615	08S45231Y25	CAP,CER 101J-CH1H-CP
I.MX-P.W.Board			C5616	08S65670Y06	CAP,CER 226KX5R1A-CP
I.MX-P.W.Board			C5617	08S65670Y06	CAP,CER 226KX5R1A-CP
I.MX-P.W.Board			C5618	08-19311Z05	CAP,CER 224KX7R1H-CP
I.MX-P.W.Board			C5619	08S45231Y25	CAP,CER 101J-CH1H-CP
I.MX-P.W.Board			C5620	08S65670Y06	CAP,CER 226KX5R1A-CP
I.MX-P.W.Board			C5621	08S65670Y06	CAP,CER 226KX5R1A-CP
I.MX-P.W.Board			C5622	08-19311Z05	CAP,CER 224KX7R1H-CP
I.MX-P.W.Board			C5623	08S35349Y16	CAP,CER 105K-B1A -CP
I.MX-P.W.Board			C5624	08-19311Z05	CAP,CER 224KX7R1H-CP
I.MX-P.W.Board			C5625	08S35349Y16	CAP,CER 105K-B1A -CP
I.MX-P.W.Board			C5626	08S35349Y16	CAP,CER 105K-B1A -CP
I.MX-P.W.Board			C5627	08-19311Z05	CAP,CER 224KX7R1H-CP
I.MX-P.W.Board			C5628	08S35349Y16	CAP,CER 105K-B1A -CP
I.MX-P.W.Board			C5629	08S35349Y16	CAP,CER 105K-B1A -CP
I.MX-P.W.Board			C5630	08-19311Z05	CAP,CER 224KX7R1H-CP
I.MX-P.W.Board			C5631	08S35349Y16	CAP,CER 105K-B1A -CP
I.MX-P.W.Board			C5632	08S35349Y16	CAP,CER 105K-B1A -CP
I.MX-P.W.Board			C5633	08-19311Z05	CAP,CER 224KX7R1H-CP
I.MX-P.W.Board			C5637	08-19311Z05	CAP,CER 224KX7R1H-CP
I.MX-P.W.Board			C5638	08-19311Z05	CAP,CER 224KX7R1H-CP

P.W.Board	MIS	MODEL	Ref.	Parts No.	Parts Name
I.MX-P.W.Board			C5639	08S65676Y08	CAP,CER 106K-X7R1ACP
I.MX-P.W.Board			C5640	08S65676Y08	CAP,CER 106K-X7R1ACP
I.MX-P.W.Board			C5641	08S65676Y08	CAP,CER 106K-X7R1ACP
I.MX-P.W.Board			C5642	08S65676Y08	CAP,CER 106K-X7R1ACP
I.MX-P.W.Board			C5643	08S65676Y08	CAP,CER 106K-X7R1ACP
I.MX-P.W.Board			C5644	08S65676Y08	CAP,CER 106K-X7R1ACP
I.MX-P.W.Board			C5645	08S65676Y08	CAP,CER 106K-X7R1ACP
I.MX-P.W.Board			C5646	08S65676Y08	CAP,CER 106K-X7R1ACP
I.MX-P.W.Board			C5648	08S65676Y08	CAP,CER 106K-X7R1ACP
I.MX-P.W.Board			C5650	08S65671Y04	CAP,CER 106KX5R1H-CP
I.MX-P.W.Board			C5651	08S45232Y08	CAP,CER 332K-B1H -CP
I.MX-P.W.Board			C5652	08S45231Y33	CAP,CER 471J-CH1H-CP
I.MX-P.W.Board			C5653	08S45231Y25	CAP,CER 101J-CH1H-CP
I.MX-P.W.Board			C5655	08-28436Z01	CAP,CER 476MX5R0J-CP
I.MX-P.W.Board			C5657	08S65669Y03	CAP,CER 224KX7R1H-CP
I.MX-P.W.Board			C5659	08S65669Y03	CAP,CER 224KX7R1H-CP
I.MX-P.W.Board			C5680	08S65669Y03	CAP,CER 224KX7R1H-CP
I.MX-P.W.Board			C5700	08S45232Y08	CAP,CER 332K-B1H -CP
I.MX-P.W.Board			C5701	08S65670Y06	CAP,CER 226KX5R1A-CP
I.MX-P.W.Board			C5702	08S45232Y08	CAP,CER 332K-B1H -CP
I.MX-P.W.Board			C5705	08S45231Y25	CAP,CER 101J-CH1H-CP
I.MX-P.W.Board			C5706	08S45231Y26	CAP,CER 121J-CH1H-CP
I.MX-P.W.Board			C5708	08-19311Z05	CAP,CER 224KX7R1H-CP
I.MX-P.W.Board			C5709	08-19311Z05	CAP,CER 224KX7R1H-CP
I.MX-P.W.Board			C5711	08-26091Z01	CAP,CER 102KX7R2J-CP

P.W.Board	MIS	MODEL	Ref.	Parts No.	Parts Name
I.MX-P.W.Board			C5712	08-26091Z01	CAP,CER 102KX7R2J-CP
I.MX-P.W.Board			C5713	08-19311Z05	CAP,CER 224KX7R1H-CP
I.MX-P.W.Board			C6301	08S65668Y07	CAP,CER 103KX5R1H-CP
I.MX-P.W.Board			C6302	08S65668Y07	CAP,CER 103KX5R1H-CP
I.MX-P.W.Board			C6303	08S65669Y03	CAP,CER 224KX7R1H-CP
I.MX-P.W.Board			C6304	08S65669Y03	CAP,CER 224KX7R1H-CP
I.MX-P.W.Board			C6305	08S65669Y03	CAP,CER 224KX7R1H-CP
I.MX-P.W.Board			C6306	08S65669Y03	CAP,CER 224KX7R1H-CP
I.MX-P.W.Board			C6400	08S45676W83	CAP,CER 473K-B1C -CP
I.MX-P.W.Board			C6401	08S65670Y04	CAP,CER 475KX5R1E-CP
I.MX-P.W.Board			C6402	08S65670Y04	CAP,CER 475KX5R1E-CP
I.MX-P.W.Board			C6403	08S65668Y05	CAP,CER 224KX5R1A-CP
I.MX-P.W.Board			C6404	08S45676W83	CAP,CER 473K-B1C -CP
I.MX-P.W.Board			C6405	08S65670Y04	CAP,CER 475KX5R1E-CP
I.MX-P.W.Board			C6406	08S65670Y04	CAP,CER 475KX5R1E-CP
I.MX-P.W.Board			C6407	08S65668Y05	CAP,CER 224KX5R1A-CP
I.MX-P.W.Board			C6408	08S65676Y08	CAP,CER 106K-X7R1ACP
I.MX-P.W.Board			C6409	08S45231Y25	CAP,CER 101J-CH1H-CP
I.MX-P.W.Board			C6410	08-26091Z01	CAP,CER 102KX7R2J-CP
I.MX-P.W.Board			C6411	08S65676Y08	CAP,CER 106K-X7R1ACP
I.MX-P.W.Board			C6412	08S65668Y05	CAP,CER 224KX5R1A-CP
I.MX-P.W.Board			C6413	08S65668Y05	CAP,CER 224KX5R1A-CP
I.MX-P.W.Board			C6414	08S65676Y08	CAP,CER 106K-X7R1ACP
I.MX-P.W.Board			C6415	08S65676Y08	CAP,CER 106K-X7R1ACP
I.MX-P.W.Board			C6416	08S45676W73	CAP,CER.103K-B1H -CP

P.W.Board	MIS	MODEL	Ref.	Parts No.	Parts Name
I.MX-P.W.Board			C6417	08S65676Y08	CAP,CER 106K-X7R1ACP
I.MX-P.W.Board			C6418	08-26091Z01	CAP,CER 102KX7R2J-CP
I.MX-P.W.Board			C6419	08S45231Y25	CAP,CER 101J-CH1H-CP
I.MX-P.W.Board			C6420	08-26091Z01	CAP,CER 102KX7R2J-CP
I.MX-P.W.Board			C6422	08S45231Y25	CAP,CER 101J-CH1H-CP
I.MX-P.W.Board			C6431	08S65676Y08	CAP,CER 106K-X7R1ACP
I.MX-P.W.Board			C6433	08S45231Y25	CAP,CER 101J-CH1H-CP
I.MX-P.W.Board			C6500	08S45231Y25	CAP,CER 101J-CH1H-CP
I.MX-P.W.Board			C6501	08S45232Y17	CAP,CER 104K-BOJ -CP
I.MX-P.W.Board			C6502	08S45231Y25	CAP,CER 101J-CH1H-CP
I.MX-P.W.Board			C6503	08S45232Y17	CAP,CER 104K-BOJ -CP
I.MX-P.W.Board			C6504	08S45231Y25	CAP,CER 101J-CH1H-CP
I.MX-P.W.Board			C6505	08S45232Y17	CAP,CER 104K-BOJ -CP
I.MX-P.W.Board			C6506	08S45231Y25	CAP,CER 101J-CH1H-CP
I.MX-P.W.Board			C6507	08S45232Y17	CAP,CER 104K-BOJ -CP
I.MX-P.W.Board			CB4001	09-14451Z06	FFC,502790-3091 -ED
I.MX-P.W.Board			CB6200	09-29915Z04	FFC,50FHH-SM1-GAN-EQ
I.MX-P.W.Board			CB6300	09-29652Z01	BTB,FX23-100P-0.5S-T
I.MX-P.W.Board			CB6400	09-25106Z05	WTB,S18B-PUDSS-1 -DB
I.MX-P.W.Board			D4700	48-05965Z01	DIO,1SS361-L -CP
I.MX-P.W.Board			D4900	48T94608F01	DIO,DA204U(MIN) -CP
I.MX-P.W.Board			D5700	48-08988Z01	VST,EZJZ0V800AA -CP
I.MX-P.W.Board			D5701	48-08988Z01	VST,EZJZ0V800AA -CP
I.MX-P.W.Board			D5703	09-34073Z01	SKT,48204-0001 -DB
I.MX-P.W.Board			D6401	48T75527Y01	DIO,1SR154-400 -E1

P.W.Board	MIS	MODEL	Ref.	Parts No.	Parts Name
I.MX-P.W.Board			E4000	23-22657Z06	CAP,CX 221-0G -E2
I.MX-P.W.Board			E4001	23-22657Z06	CAP,CX 221-0G -E2
I.MX-P.W.Board			E4900	23-02558Z08	CAP,ZT 101-1A -E6
I.MX-P.W.Board			E5700	23-31100Z11	CAP,MAK 47R-1C -E6
I.MX-P.W.Board			E5701	23-31100Z22	CAP,MAK 331-1E -EA
I.MX-P.W.Board			E5702	23-31100Z21	CAP,MAK 101-1E -EA
I.MX-P.W.Board			E5703	23-31100Z16	CAP,MAK 4R7-1E -E2
I.MX-P.W.Board			E5704	23-31100Z16	CAP,MAK 4R7-1E -E2
I.MX-P.W.Board			E6300	23-31100Z19	CAP,MAK 33R-1E -E6
I.MX-P.W.Board			F6200	65-33010Z02	FUSE,ERBRD 2A -CP
I.MX-P.W.Board			IC4000	51-29541Z01	MCIMX6D6AVT08AD -BT
I.MX-P.W.Board			IC4200	51-27163Z02	H5TQ4G63CFR-RDC -BT
I.MX-P.W.Board			IC4201	51-27163Z02	H5TQ4G63CFR-RDC -BT
I.MX-P.W.Board			IC4202	51-27163Z02	H5TQ4G63CFR-RDC -BT
I.MX-P.W.Board			IC4203	51-27163Z02	H5TQ4G63CFR-RDC -BT
I.MX-P.W.Board			IC4300	83-32412Z82	WLingo_NorFlash_Soft_V0.990
I.MX-P.W.Board			IC4300	51-27465Z01	S29GL256S90TFI010-ST
I.MX-P.W.Board			IC4400	83-32412Z83	WLingo_EMMC_Soft_V0.990
I.MX-P.W.Board			IC4400	51-29432Z01	H26M41103HPR -BT
I.MX-P.W.Board			IC4500	51-26850Z01	MFI337S3959 -CP
I.MX-P.W.Board			IC4600	51T15185Y03	TC7SH08FU,LJ -CP
I.MX-P.W.Board			IC4601	51T65003Y03	TC7SZ05FU,LJ -CP
I.MX-P.W.Board			IC4602	51T65003Y03	TC7SZ05FU,LJ -CP
I.MX-P.W.Board			IC4700	51T35220Y02	TC7WH126FU,LJ(CB-SE1
I.MX-P.W.Board			IC4701	51T25238Y05	TC7SH32FU,LJ -CP

P.W.Board	MIS	MODEL	Ref.	Parts No.	Parts Name
I.MX-P.W.Board			IC4804	51-18743Z01	TLF4277EL -SE2
I.MX-P.W.Board			IC4805	51-33995Z01	ASSY,GYR SMI130 -EE2
I.MX-P.W.Board			IC4900	51T93332F02	NJM2903V-TE2 -SE2
I.MX-P.W.Board			IC5000	51-23329Z01	ML86101 -QT
I.MX-P.W.Board			IC5500	51-33335Z01	UGKZ7A1009A -NEL
I.MX-P.W.Board			IC5600	51-29896Z01	LTC3676HUJ#TRA1 -LE6
I.MX-P.W.Board			IC5650	51-28779Z02	BD90640EFJ-CE2 -SE2
I.MX-P.W.Board			IC5700	51-22549Z01	NJM2815GM151ATE2-SE2
I.MX-P.W.Board			IC5701	51-28779Z01	BD90620EFJ-CE2 -SE2
I.MX-P.W.Board			IC6400	51-12745Z01	BH7073G-TR -CP
I.MX-P.W.Board			IC6401	51-12745Z01	BH7073G-TR -CP
I.MX-P.W.Board			IC6403	51T25183Y04	TC7SET08FU,LJ -CP
I.MX-P.W.Board			IC6404	51T15185Y03	TC7SH08FU,LJ -CP
I.MX-P.W.Board			IC6500	51T45360Y02	TC7WH14FK -CP
I.MX-P.W.Board			IC6501	51T45360Y02	TC7WH14FK -CP
I.MX-P.W.Board			IC6502	51T45360Y02	TC7WH14FK -CP
I.MX-P.W.Board			IC6503	51T45360Y02	TC7WH14FK -CP
I.MX-P.W.Board			L4800	24T75143Y22	IND,HK1005 R056J -CP
I.MX-P.W.Board			L4900	24T95456W31	FBI,BLM18PG471SH1-CP
I.MX-P.W.Board			L5000	24-06212Z07	FBI,BLM15BD601SH1-CP
I.MX-P.W.Board			L5001	24-06212Z07	FBI,BLM15BD601SH1-CP
I.MX-P.W.Board			L5002	24-06212Z07	FBI,BLM15BD601SH1-CP
I.MX-P.W.Board			L5003	24-06212Z07	FBI,BLM15BD601SH1-CP
I.MX-P.W.Board			L5004	24-06212Z07	FBI,BLM15BD601SH1-CP
I.MX-P.W.Board			L5005	24-06212Z07	FBI,BLM15BD601SH1-CP

P.W.Board	MIS	MODEL	Ref.	Parts No.	Parts Name
I.MX-P.W.Board			L5600	24-22372Z05	IND,NRS6045T 2R3N-E2
I.MX-P.W.Board			L5601	24-22372Z05	IND,NRS6045T 2R3N-E2
I.MX-P.W.Board			L5602	24-22372Z05	IND,NRS6045T 2R3N-E2
I.MX-P.W.Board			L5603	24-22372Z05	IND,NRS6045T 2R3N-E2
I.MX-P.W.Board			L5650	24-22372Z05	IND,NRS6045T 2R3N-E2
I.MX-P.W.Board			L5651	24-08610Z03	IND,DS106C2 10RM -EA
I.MX-P.W.Board			L5700	24-22371Z01	IND,NRS4018T 2R2M-E2
I.MX-P.W.Board			L5701	24-22372Z06	IND,NRS6045T 47RM-E2
I.MX-P.W.Board			L6400	24T65067Y02	FBI,MMZ1005S601AT-CP
I.MX-P.W.Board			L6401	24T65067Y02	FBI,MMZ1005S601AT-CP
I.MX-P.W.Board			L6500	24-06212Z01	FBI,BLM15AG601SH1-CP
I.MX-P.W.Board			L6501	24-06212Z01	FBI,BLM15AG601SH1-CP
I.MX-P.W.Board			PS6400	48-27319Z01	POLY,SW1812L150/24E2
I.MX-P.W.Board			Q4000	48-18270Z01	TR,LSA1576UB FS8 -CP
I.MX-P.W.Board			Q4001	48-13000Z05	TR,LTC124EUBFS8-TLCP
I.MX-P.W.Board			Q4700	48-12999Z01	TR,LTA114EUBFS8-TLCP
I.MX-P.W.Board			Q4800	48-13000Z05	TR,LTC124EUBFS8-TLCP
I.MX-P.W.Board			Q4900	48-13000Z01	TR,LTC114EUBFS8-TLCP
I.MX-P.W.Board			R4000	06S15616Y36	RES,RK 225J 1/16 -CP
I.MX-P.W.Board			R4001	06S15616Y23	RES,RK JUMPER1/16-CP
I.MX-P.W.Board			R4003	06S15616Y22	RES,RK 105J 1/16 -CP
I.MX-P.W.Board			R4005	06S15615Y09	RES,RK 22RJ 1/16 -CP
I.MX-P.W.Board			R4006	06S15615Y49	RES,RK 102J 1/16 -CP
I.MX-P.W.Board			R4007	06S15615Y57	RES,RK 222J 1/16 -CP
I.MX-P.W.Board			R4008	06S15615Y57	RES,RK 222J 1/16 -CP

P.W.Board	MIS	MODEL	Ref.	Parts No.	Parts Name
I.MX-P.W.Board			R4009	06S15615Y57	RES,RK 222J 1/16 -CP
I.MX-P.W.Board			R4010	06S15615Y57	RES,RK 222J 1/16 -CP
I.MX-P.W.Board			R4011	06S15616Y23	RES,RK JUMPER1/16-CP
I.MX-P.W.Board			R4012	06S15615Y25	RES,RK 101J 1/16 -CP
I.MX-P.W.Board			R4013	06S15615Y25	RES,RK 101J 1/16 -CP
I.MX-P.W.Board			R4014	06S15615Y25	RES,RK 101J 1/16 -CP
I.MX-P.W.Board			R4015	06S15615Y25	RES,RK 101J 1/16 -CP
I.MX-P.W.Board			R4016	06S15615Y25	RES,RK 101J 1/16 -CP
I.MX-P.W.Board			R4017	06S15615Y09	RES,RK 22RJ 1/16 -CP
I.MX-P.W.Board			R4018	06S15615Y09	RES,RK 22RJ 1/16 -CP
I.MX-P.W.Board			R4020	06S15615Y25	RES,RK 101J 1/16 -CP
I.MX-P.W.Board			R4021	06S15616Y23	RES,RK JUMPER1/16-CP
I.MX-P.W.Board			R4022	06S15616Y23	RES,RK JUMPER1/16-CP
I.MX-P.W.Board			R4023	06S15615Y25	RES,RK 101J 1/16 -CP
I.MX-P.W.Board			R4024	06S15615Y25	RES,RK 101J 1/16 -CP
I.MX-P.W.Board			R4025	06S15615Y25	RES,RK 101J 1/16 -CP
I.MX-P.W.Board			R4026	06S15615Y25	RES,RK 101J 1/16 -CP
I.MX-P.W.Board			R4027	06S15616Y23	RES,RK JUMPER1/16-CP
I.MX-P.W.Board			R4028	06S15616Y23	RES,RK JUMPER1/16-CP
I.MX-P.W.Board			R4029	06S15594Y23	RES,RK JUMPER1/10-CP
I.MX-P.W.Board			R4030	06S15615Y25	RES,RK 101J 1/16 -CP
I.MX-P.W.Board			R4033	06S15615Y09	RES,RK 22RJ 1/16 -CP
I.MX-P.W.Board			R4034	06S15616Y23	RES,RK JUMPER1/16-CP
I.MX-P.W.Board			R4035	06S15616Y23	RES,RK JUMPER1/16-CP
I.MX-P.W.Board			R4036	06S15616Y23	RES,RK JUMPER1/16-CP

P.W.Board	MIS	MODEL	Ref.	Parts No.	Parts Name
I.MX-P.W.Board			R4037	06S15616Y23	RES,RK JUMPER1/16-CP
I.MX-P.W.Board			R4038	06S15616Y23	RES,RK JUMPER1/16-CP
I.MX-P.W.Board			R4039	06S15616Y23	RES,RK JUMPER1/16-CP
I.MX-P.W.Board			R4044	06S15615Y25	RES,RK 101J 1/16 -CP
I.MX-P.W.Board			R4045	06S15615Y25	RES,RK 101J 1/16 -CP
I.MX-P.W.Board			R4046	06S15615Y25	RES,RK 101J 1/16 -CP
I.MX-P.W.Board			R4047	06S15615Y25	RES,RK 101J 1/16 -CP
I.MX-P.W.Board			R4048	06S15615Y25	RES,RK 101J 1/16 -CP
I.MX-P.W.Board			R4049	06S15615Y25	RES,RK 101J 1/16 -CP
I.MX-P.W.Board			R4050	06S15615Y57	RES,RK 222J 1/16 -CP
I.MX-P.W.Board			R4051	06S15615Y57	RES,RK 222J 1/16 -CP
I.MX-P.W.Board			R4052	06S15615Y21	RES,RK 68RJ 1/16 -CP
I.MX-P.W.Board			R4053	06S15615Y25	RES,RK 101J 1/16 -CP
I.MX-P.W.Board			R4054	06S15615Y25	RES,RK 101J 1/16 -CP
I.MX-P.W.Board			R4055	06S15615Y25	RES,RK 101J 1/16 -CP
I.MX-P.W.Board			R4056	06S65415Y85	RES,RK 241F 1/16 -CP
I.MX-P.W.Board			R4058	06S15615Y73	RES,RK 103J 1/16 -CP
I.MX-P.W.Board			R4059	06-02713Z04	RES,RK 102D 1/16 -CP
I.MX-P.W.Board			R4060	06-02713Z04	RES,RK 102D 1/16 -CP
I.MX-P.W.Board			R4061	06S15615Y25	RES,RK 101J 1/16 -CP
I.MX-P.W.Board			R4062	06S15615Y25	RES,RK 101J 1/16 -CP
I.MX-P.W.Board			R4064	06S45675W43	RES,RK JUMPER1/10-CP
I.MX-P.W.Board			R4068	06S15616Y23	RES,RK JUMPER1/16-CP
I.MX-P.W.Board			R4069	06-25919Z07	RES,RK 243F 1/16 -CP
I.MX-P.W.Board			R4070	06S15615Y57	RES,RK 222J 1/16 -CP

P.W.Board	MIS	MODEL	Ref.	Parts No.	Parts Name
I.MX-P.W.Board			R4071	06S15615Y57	RES,RK 222J 1/16 -CP
I.MX-P.W.Board			R4073	06S45675W43	RES,RK JUMPER1/10-CP
I.MX-P.W.Board			R4076	06S15615Y73	RES,RK 103J 1/16 -CP
I.MX-P.W.Board			R4077	06S15615Y73	RES,RK 103J 1/16 -CP
I.MX-P.W.Board			R4200	06S65415Y84	RES,RK 201F 1/16 -CP
I.MX-P.W.Board			R4201	06S65415Y25	RES,RK 102F 1/16 -CP
I.MX-P.W.Board			R4202	06S65415Y25	RES,RK 102F 1/16 -CP
I.MX-P.W.Board			R4203	06S65415Y25	RES,RK 102F 1/16 -CP
I.MX-P.W.Board			R4204	06S65415Y25	RES,RK 102F 1/16 -CP
I.MX-P.W.Board			R4205	06S65415Y85	RES,RK 241F 1/16 -CP
I.MX-P.W.Board			R4206	06S65415Y84	RES,RK 201F 1/16 -CP
I.MX-P.W.Board			R4207	06S65415Y25	RES,RK 102F 1/16 -CP
I.MX-P.W.Board			R4208	06S65415Y25	RES,RK 102F 1/16 -CP
I.MX-P.W.Board			R4209	06S65415Y25	RES,RK 102F 1/16 -CP
I.MX-P.W.Board			R4210	06S65415Y25	RES,RK 102F 1/16 -CP
I.MX-P.W.Board			R4211	06S65415Y85	RES,RK 241F 1/16 -CP
I.MX-P.W.Board			R4212	06S65415Y84	RES,RK 201F 1/16 -CP
I.MX-P.W.Board			R4213	06S65415Y25	RES,RK 102F 1/16 -CP
I.MX-P.W.Board			R4214	06S65415Y25	RES,RK 102F 1/16 -CP
I.MX-P.W.Board			R4215	06S65415Y25	RES,RK 102F 1/16 -CP
I.MX-P.W.Board			R4216	06S65415Y25	RES,RK 102F 1/16 -CP
I.MX-P.W.Board			R4217	06S65415Y85	RES,RK 241F 1/16 -CP
I.MX-P.W.Board			R4218	06S65415Y84	RES,RK 201F 1/16 -CP
I.MX-P.W.Board			R4219	06S65415Y25	RES,RK 102F 1/16 -CP
I.MX-P.W.Board			R4220	06S65415Y25	RES,RK 102F 1/16 -CP

P.W.Board	MIS	MODEL	Ref.	Parts No.	Parts Name
I.MX-P.W.Board			R4221	06S65415Y25	RES,RK 102F 1/16 -CP
I.MX-P.W.Board			R4222	06S65415Y25	RES,RK 102F 1/16 -CP
I.MX-P.W.Board			R4223	06S65415Y85	RES,RK 241F 1/16 -CP
I.MX-P.W.Board			R4300	06S15615Y73	RES,RK 103J 1/16 -CP
I.MX-P.W.Board			R4303	06S15615Y73	RES,RK 103J 1/16 -CP
I.MX-P.W.Board			R4304	06S15615Y73	RES,RK 103J 1/16 -CP
I.MX-P.W.Board			R4305	06S15615Y73	RES,RK 103J 1/16 -CP
I.MX-P.W.Board			R4306	06S15615Y73	RES,RK 103J 1/16 -CP
I.MX-P.W.Board			R4307	06S15615Y73	RES,RK 103J 1/16 -CP
I.MX-P.W.Board			R4308	06S15615Y73	RES,RK 103J 1/16 -CP
I.MX-P.W.Board			R4309	06S15615Y73	RES,RK 103J 1/16 -CP
I.MX-P.W.Board			R4310	06S15615Y73	RES,RK 103J 1/16 -CP
I.MX-P.W.Board			R4311	06S15615Y73	RES,RK 103J 1/16 -CP
I.MX-P.W.Board			R4312	06S15615Y73	RES,RK 103J 1/16 -CP
I.MX-P.W.Board			R4314	06S15615Y73	RES,RK 103J 1/16 -CP
I.MX-P.W.Board			R4315	06S15615Y73	RES,RK 103J 1/16 -CP
I.MX-P.W.Board			R4316	06S15615Y73	RES,RK 103J 1/16 -CP
I.MX-P.W.Board			R4317	06S15615Y73	RES,RK 103J 1/16 -CP
I.MX-P.W.Board			R4318	06S15615Y73	RES,RK 103J 1/16 -CP
I.MX-P.W.Board			R4319	06S15615Y73	RES,RK 103J 1/16 -CP
I.MX-P.W.Board			R4320	06S15615Y73	RES,RK 103J 1/16 -CP
I.MX-P.W.Board			R4321	06S15615Y73	RES,RK 103J 1/16 -CP
I.MX-P.W.Board			R4322	06S15615Y73	RES,RK 103J 1/16 -CP
I.MX-P.W.Board			R4323	06S15615Y73	RES,RK 103J 1/16 -CP
I.MX-P.W.Board			R4324	06S15615Y73	RES,RK 103J 1/16 -CP

P.W.Board	MIS	MODEL	Ref.	Parts No.	Parts Name
I.MX-P.W.Board			R4325	06S15615Y73	RES,RK 103J 1/16 -CP
I.MX-P.W.Board			R4326	06S15615Y73	RES,RK 103J 1/16 -CP
I.MX-P.W.Board			R4327	06S15615Y73	RES,RK 103J 1/16 -CP
I.MX-P.W.Board			R4328	06S15615Y73	RES,RK 103J 1/16 -CP
I.MX-P.W.Board			R4332	06S15615Y73	RES,RK 103J 1/16 -CP
I.MX-P.W.Board			R4336	06S15615Y73	RES,RK 103J 1/16 -CP
I.MX-P.W.Board			R4337	06S45674W81	RES,RK 103J 1/10 -CP
I.MX-P.W.Board			R4338	06S45674W81	RES,RK 103J 1/10 -CP
I.MX-P.W.Board			R4339	06S45674W81	RES,RK 103J 1/10 -CP
I.MX-P.W.Board			R4340	06S45674W81	RES,RK 103J 1/10 -CP
I.MX-P.W.Board			R4341	06S45674W81	RES,RK 103J 1/10 -CP
I.MX-P.W.Board			R4400	06S15615Y25	RES,RK 101J 1/16 -CP
I.MX-P.W.Board			R4401	06S15615Y25	RES,RK 101J 1/16 -CP
I.MX-P.W.Board			R4402	06S15615Y25	RES,RK 101J 1/16 -CP
I.MX-P.W.Board			R4403	06S15615Y25	RES,RK 101J 1/16 -CP
I.MX-P.W.Board			R4404	06S15615Y25	RES,RK 101J 1/16 -CP
I.MX-P.W.Board			R4405	06S15615Y25	RES,RK 101J 1/16 -CP
I.MX-P.W.Board			R4406	06S15615Y25	RES,RK 101J 1/16 -CP
I.MX-P.W.Board			R4407	06S15615Y25	RES,RK 101J 1/16 -CP
I.MX-P.W.Board			R4408	06S15615Y25	RES,RK 101J 1/16 -CP
I.MX-P.W.Board			R4409	06S15615Y73	RES,RK 103J 1/16 -CP
I.MX-P.W.Board			R4410	06S15615Y73	RES,RK 103J 1/16 -CP
I.MX-P.W.Board			R4411	06S45675W43	RES,RK JUMPER1/10-CP
I.MX-P.W.Board			R4500	06S15615Y25	RES,RK 101J 1/16 -CP
I.MX-P.W.Board			R4501	06S15615Y73	RES,RK 103J 1/16 -CP

P.W.Board	MIS	MODEL	Ref.	Parts No.	Parts Name
I.MX-P.W.Board			R4601	06S15616Y23	RES,RK JUMPER1/16-CP
I.MX-P.W.Board			R4602	06S15615Y73	RES,RK 103J 1/16 -CP
I.MX-P.W.Board			R4603	06S15615Y73	RES,RK 103J 1/16 -CP
I.MX-P.W.Board			R4604	06S15615Y09	RES,RK 22RJ 1/16 -CP
I.MX-P.W.Board			R4700	06S15615Y73	RES,RK 103J 1/16 -CP
I.MX-P.W.Board			R4701	06S15615Y73	RES,RK 103J 1/16 -CP
I.MX-P.W.Board			R4703	06S65415Y41	RES,RK 223F 1/16 -CP
I.MX-P.W.Board			R4704	06S65415Y41	RES,RK 223F 1/16 -CP
I.MX-P.W.Board			R4705	06S15616Y23	RES,RK JUMPER1/16-CP
I.MX-P.W.Board			R4706	06S15616Y23	RES,RK JUMPER1/16-CP
I.MX-P.W.Board			R4800	06S15616Y23	RES,RK JUMPER1/16-CP
I.MX-P.W.Board			R4820	06S15616Y23	RES,RK JUMPER1/16-CP
I.MX-P.W.Board			R4821	06S15615Y13	RES,RK 33RJ 1/16 -CP
I.MX-P.W.Board			R4822	06S15615Y81	RES,RK 223J 1/16 -CP
I.MX-P.W.Board			R4823	06S15616Y23	RES,RK JUMPER1/16-CP
I.MX-P.W.Board			R4824	06S65415Y33	RES,RK 472F 1/16 -CP
I.MX-P.W.Board			R4825	06S65415Y37	RES,RK 103F 1/16 -CP
I.MX-P.W.Board			R4826	06S65415Y33	RES,RK 472F 1/16 -CP
I.MX-P.W.Board			R4827	06S35083Y64	RES,RK 3R3F 1/4 -CP
I.MX-P.W.Board			R4828	06S15593Y91	RES,RK 563F 1/10 -CP
I.MX-P.W.Board			R4829	06S35083Y19	RES,RK 331F 1/4 -CP
I.MX-P.W.Board			R4830	06S65415Y27	RES,RK 152F 1/16 -CP
I.MX-P.W.Board			R4831	06S15594Y13	RES,RK 434F 1/10 -CP
I.MX-P.W.Board			R4833	06S15615Y57	RES,RK 222J 1/16 -CP
I.MX-P.W.Board			R4834	06S15615Y57	RES,RK 222J 1/16 -CP

P.W.Board	MIS	MODEL	Ref.	Parts No.	Parts Name
I.MX-P.W.Board			R4835	06S15616Y23	RES,RK JUMPER1/16-CP
I.MX-P.W.Board			R4836	06S15615Y25	RES,RK 101J 1/16 -CP
I.MX-P.W.Board			R4837	06S15615Y25	RES,RK 101J 1/16 -CP
I.MX-P.W.Board			R4838	06S15615Y81	RES,RK 223J 1/16 -CP
I.MX-P.W.Board			R4840	06S15615Y81	RES,RK 223J 1/16 -CP
I.MX-P.W.Board			R4900	06S65415Y29	RES,RK 222F 1/16 -CP
I.MX-P.W.Board			R4901	06S70072F77	RES,CP .103-J-1/4-CP
I.MX-P.W.Board			R4902	06S15615Y97	RES,RK 104J 1/16 -CP
I.MX-P.W.Board			R4903	06S15615Y73	RES,RK 103J 1/16 -CP
I.MX-P.W.Board			R4904	06S15615Y73	RES,RK 103J 1/16 -CP
I.MX-P.W.Board			R4905	06S15615Y73	RES,RK 103J 1/16 -CP
I.MX-P.W.Board			R4906	06S15615Y73	RES,RK 103J 1/16 -CP
I.MX-P.W.Board			R4907	06S15615Y89	RES,RK 473J 1/16 -CP
I.MX-P.W.Board			R4908	06S35095Y03	RES,RK 473J 1/4 -CP
I.MX-P.W.Board			R4909	06S15593Y78	RES,RK 163F 1/10 -CP
I.MX-P.W.Board			R4910	06S15593Y82	RES,RK 243F 1/10 -CP
I.MX-P.W.Board			R5000	06S15615Y33	RES,RK 221J 1/16 -CP
I.MX-P.W.Board			R5001	06S15615Y25	RES,RK 101J 1/16 -CP
I.MX-P.W.Board			R5002	06S15615Y25	RES,RK 101J 1/16 -CP
I.MX-P.W.Board			R5003	06S15615Y81	RES,RK 223J 1/16 -CP
I.MX-P.W.Board			R5004	06S15615Y81	RES,RK 223J 1/16 -CP
I.MX-P.W.Board			R5005	06S15615Y81	RES,RK 223J 1/16 -CP
I.MX-P.W.Board			R5006	06S65415Y25	RES,RK 102F 1/16 -CP
I.MX-P.W.Board			R5007	06S65415Y64	RES,RK 75RF 1/16 -CP
I.MX-P.W.Board			R5008	06S15616Y23	RES,RK JUMPER1/16-CP

P.W.Board	MIS	MODEL	Ref.	Parts No.	Parts Name
I.MX-P.W.Board			R5009	06S65415Y64	RES,RK 75RF 1/16 -CP
I.MX-P.W.Board			R5010	06S15616Y23	RES,RK JUMPER1/16-CP
I.MX-P.W.Board			R5011	06S65415Y61	RES,RK 105F 1/16 -CP
I.MX-P.W.Board			R5012	06S15615Y81	RES,RK 223J 1/16 -CP
I.MX-P.W.Board			R5013	06S15615Y81	RES,RK 223J 1/16 -CP
I.MX-P.W.Board			R5014	06S15615Y81	RES,RK 223J 1/16 -CP
I.MX-P.W.Board			R5015	06S15615Y81	RES,RK 223J 1/16 -CP
I.MX-P.W.Board			R5016	06S15615Y81	RES,RK 223J 1/16 -CP
I.MX-P.W.Board			R5017	06S15615Y81	RES,RK 223J 1/16 -CP
I.MX-P.W.Board			R5018	06S15615Y13	RES,RK 33RJ 1/16 -CP
I.MX-P.W.Board			R5019	06S15615Y13	RES,RK 33RJ 1/16 -CP
I.MX-P.W.Board			R5020	06S15615Y13	RES,RK 33RJ 1/16 -CP
I.MX-P.W.Board			R5021	06S15615Y13	RES,RK 33RJ 1/16 -CP
I.MX-P.W.Board			R5022	06S15615Y13	RES,RK 33RJ 1/16 -CP
I.MX-P.W.Board			R5023	06S15615Y13	RES,RK 33RJ 1/16 -CP
I.MX-P.W.Board			R5024	06S15615Y13	RES,RK 33RJ 1/16 -CP
I.MX-P.W.Board			R5025	06S15615Y13	RES,RK 33RJ 1/16 -CP
I.MX-P.W.Board			R5026	06S15616Y23	RES,RK JUMPER1/16-CP
I.MX-P.W.Board			R5027	06S15616Y23	RES,RK JUMPER1/16-CP
I.MX-P.W.Board			R5028	06S15616Y23	RES,RK JUMPER1/16-CP
I.MX-P.W.Board			R5029	06S15616Y23	RES,RK JUMPER1/16-CP
I.MX-P.W.Board			R5503	06S15616Y23	RES,RK JUMPER1/16-CP
I.MX-P.W.Board			R5504	06S15616Y23	RES,RK JUMPER1/16-CP
I.MX-P.W.Board			R5505	06S15616Y23	RES,RK JUMPER1/16-CP
I.MX-P.W.Board			R5506	06S45675W43	RES,RK JUMPER1/10-CP

P.W.Board	MIS	MODEL	Ref.	Parts No.	Parts Name
I.MX-P.W.Board			R5507	06S15615Y09	RES,RK 22RJ 1/16 -CP
I.MX-P.W.Board			R5508	06S45675W43	RES,RK JUMPER1/10-CP
I.MX-P.W.Board			R5510	06S15615Y09	RES,RK 22RJ 1/16 -CP
I.MX-P.W.Board			R5511	06S15615Y09	RES,RK 22RJ 1/16 -CP
I.MX-P.W.Board			R5512	06S15615Y09	RES,RK 22RJ 1/16 -CP
I.MX-P.W.Board			R5515	06S15615Y25	RES,RK 101J 1/16 -CP
I.MX-P.W.Board			R5516	06S15615Y09	RES,RK 22RJ 1/16 -CP
I.MX-P.W.Board			R5517	06S15615Y09	RES,RK 22RJ 1/16 -CP
I.MX-P.W.Board			R5518	06S15615Y09	RES,RK 22RJ 1/16 -CP
I.MX-P.W.Board			R5519	06S15615Y09	RES,RK 22RJ 1/16 -CP
I.MX-P.W.Board			R5520	06S15615Y09	RES,RK 22RJ 1/16 -CP
I.MX-P.W.Board			R5521	06S15615Y09	RES,RK 22RJ 1/16 -CP
I.MX-P.W.Board			R5522	06S45675W43	RES,RK JUMPER1/10-CP
I.MX-P.W.Board			R5523	06S15616Y23	RES,RK JUMPER1/16-CP
I.MX-P.W.Board			R5524	06S15616Y23	RES,RK JUMPER1/16-CP
I.MX-P.W.Board			R5600	06S15615Y73	RES,RK 103J 1/16 -CP
I.MX-P.W.Board			R5601	06S15615Y73	RES,RK 103J 1/16 -CP
I.MX-P.W.Board			R5602	06S15615Y73	RES,RK 103J 1/16 -CP
I.MX-P.W.Board			R5603	06S15615Y73	RES,RK 103J 1/16 -CP
I.MX-P.W.Board			R5604	06S15615Y25	RES,RK 101J 1/16 -CP
I.MX-P.W.Board			R5605	06S65415Y47	RES,RK 683F 1/16 -CP
I.MX-P.W.Board			R5606	06S65415Y29	RES,RK 222F 1/16 -CP
I.MX-P.W.Board			R5607	06S65415Y47	RES,RK 683F 1/16 -CP
I.MX-P.W.Board			R5608	06S65415Y33	RES,RK 472F 1/16 -CP
I.MX-P.W.Board			R5609	06S65415Y99	RES,RK 512F 1/16 -CP

P.W.Board	MIS	MODEL	Ref.	Parts No.	Parts Name
I.MX-P.W.Board			R5610	06S65415Y51	RES,RK 154F 1/16 -CP
I.MX-P.W.Board			R5611	06S65415Y47	RES,RK 683F 1/16 -CP
I.MX-P.W.Board			R5612	06S65415Y37	RES,RK 103F 1/16 -CP
I.MX-P.W.Board			R5613	06S65415Y41	RES,RK 223F 1/16 -CP
I.MX-P.W.Board			R5614	06S15615Y41	RES,RK 471J 1/16 -CP
I.MX-P.W.Board			R5615	06-25919Z17	RES,RK 164F 1/16 -CP
I.MX-P.W.Board			R5616	06S65415Y34	RES,RK 562F 1/16 -CP
I.MX-P.W.Board			R5617	06S65415Y47	RES,RK 683F 1/16 -CP
I.MX-P.W.Board			R5618	06S65415Y29	RES,RK 222F 1/16 -CP
I.MX-P.W.Board			R5619	06S65415Y47	RES,RK 683F 1/16 -CP
I.MX-P.W.Board			R5620	06S65415Y33	RES,RK 472F 1/16 -CP
I.MX-P.W.Board			R5621	06-25919Z22	RES,RK 434F 1/16 -CP
I.MX-P.W.Board			R5622	06-25919Z13	RES,RK 753F 1/16 -CP
I.MX-P.W.Board			R5623	06S65415Y47	RES,RK 683F 1/16 -CP
I.MX-P.W.Board			R5624	06S65415Y33	RES,RK 472F 1/16 -CP
I.MX-P.W.Board			R5625	06S65415Y47	RES,RK 683F 1/16 -CP
I.MX-P.W.Board			R5627	06-25919Z17	RES,RK 164F 1/16 -CP
I.MX-P.W.Board			R5628	06S65415Y99	RES,RK 512F 1/16 -CP
I.MX-P.W.Board			R5629	06S65415Y41	RES,RK 223F 1/16 -CP
I.MX-P.W.Board			R5630	06S65415Y37	RES,RK 103F 1/16 -CP
I.MX-P.W.Board			R5631	06S65415Y37	RES,RK 103F 1/16 -CP
I.MX-P.W.Board			R5632	06S15615Y41	RES,RK 471J 1/16 -CP
I.MX-P.W.Board			R5633	06S65415Y47	RES,RK 683F 1/16 -CP
I.MX-P.W.Board			R5634	06S65415Y30	RES,RK 272F 1/16 -CP
I.MX-P.W.Board			R5635	06S65415Y41	RES,RK 223F 1/16 -CP

P.W.Board	MIS	MODEL	Ref.	Parts No.	Parts Name
I.MX-P.W.Board			R5636	06S15615Y41	RES,RK 471J 1/16 -CP
I.MX-P.W.Board			R5637	06-25919Z12	RES,RK 623F 1/16 -CP
I.MX-P.W.Board			R5638	06S65415Y66	RES,RK 622F 1/16 -CP
I.MX-P.W.Board			R5639	06S65415Y47	RES,RK 683F 1/16 -CP
I.MX-P.W.Board			R5640	06S15615Y41	RES,RK 471J 1/16 -CP
I.MX-P.W.Board			R5641	06S65415Y37	RES,RK 103F 1/16 -CP
I.MX-P.W.Board			R5642	06S65415Y41	RES,RK 223F 1/16 -CP
I.MX-P.W.Board			R5643	06S65415Y52	RES,RK 184F 1/16 -CP
I.MX-P.W.Board			R5644	06-25919Z13	RES,RK 753F 1/16 -CP
I.MX-P.W.Board			R5645	06S15615Y41	RES,RK 471J 1/16 -CP
I.MX-P.W.Board			R5646	06S15615Y41	RES,RK 471J 1/16 -CP
I.MX-P.W.Board			R5647	06S15615Y41	RES,RK 471J 1/16 -CP
I.MX-P.W.Board			R5648	06S15616Y23	RES,RK JUMPER1/16-CP
I.MX-P.W.Board			R5650	06S15615Y25	RES,RK 101J 1/16 -CP
I.MX-P.W.Board			R5651	06S15615Y67	RES,RK 562J 1/16 -CP
I.MX-P.W.Board			R5652	06S65415Y31	RES,RK 332F 1/16 -CP
I.MX-P.W.Board			R5653	06S65415Y26	RES,RK 122F 1/16 -CP
I.MX-P.W.Board			R5654	06S65415Y38	RES,RK 123F 1/16 -CP
I.MX-P.W.Board			R5655	06S65415Y42	RES,RK 273F 1/16 -CP
I.MX-P.W.Board			R5656	06S45675W43	RES,RK JUMPER1/10-CP
I.MX-P.W.Board			R5657	06S15616Y23	RES,RK JUMPER1/16-CP
I.MX-P.W.Board			R5658	06S65415Y54	RES,RK 274F 1/16 -CP
I.MX-P.W.Board			R5659	06S65415Y34	RES,RK 562F 1/16 -CP
I.MX-P.W.Board			R5664	06S15616Y23	RES,RK JUMPER1/16-CP
I.MX-P.W.Board			R5680	06S15615Y49	RES,RK 102J 1/16 -CP

P.W.Board	MIS	MODEL	Ref.	Parts No.	Parts Name
I.MX-P.W.Board			R5700	06S15615Y73	RES,RK 103J 1/16 -CP
I.MX-P.W.Board			R5701	06S65415Y38	RES,RK 123F 1/16 -CP
I.MX-P.W.Board			R5702	06S15615Y77	RES,RK 153J 1/16 -CP
I.MX-P.W.Board			R5703	06S65415Y28	RES,RK 182F 1/16 -CP
I.MX-P.W.Board			R5704	06S65415Y46	RES,RK 563F 1/16 -CP
I.MX-P.W.Board			R5705	06S15615Y83	RES,RK 273J 1/16 -CP
I.MX-P.W.Board			R5707	06S65415Y35	RES,RK 682F 1/16 -CP
I.MX-P.W.Board			R5708	06S15593Y91	RES,RK 563F 1/10 -CP
I.MX-P.W.Board			R5709	06S15593Y98	RES,RK 114F 1/10 -CP
I.MX-P.W.Board			R5710	06S15594Y23	RES,RK JUMPER1/10-CP
I.MX-P.W.Board			R5711	06S65415Y23	RES,RK 681F 1/16 -CP
I.MX-P.W.Board			R5713	06S15615Y81	RES,RK 223J 1/16 -CP
I.MX-P.W.Board			R5714	06S15616Y23	RES,RK JUMPER1/16-CP
I.MX-P.W.Board			R5718	06S65415Y37	RES,RK 103F 1/16 -CP
I.MX-P.W.Board			R5719	06S35083Y17	RES,RK 221F 1/4 -CP
I.MX-P.W.Board			R5720	06S35083Y17	RES,RK 221F 1/4 -CP
I.MX-P.W.Board			R5721	06S35083Y17	RES,RK 221F 1/4 -CP
I.MX-P.W.Board			R5722	06S35083Y17	RES,RK 221F 1/4 -CP
I.MX-P.W.Board			R6200	06S15615Y25	RES,RK 101J 1/16 -CP
I.MX-P.W.Board			R6201	06S15616Y23	RES,RK JUMPER1/16-CP
I.MX-P.W.Board			R6202	06S15616Y23	RES,RK JUMPER1/16-CP
I.MX-P.W.Board			R6203	06S65415Y05	RES,RK 22RF 1/16 -CP
I.MX-P.W.Board			R6204	06S65415Y05	RES,RK 22RF 1/16 -CP
I.MX-P.W.Board			R6205	06S15616Y23	RES,RK JUMPER1/16-CP
I.MX-P.W.Board			R6206	06S15616Y23	RES,RK JUMPER1/16-CP

P.W.Board	MIS	MODEL	Ref.	Parts No.	Parts Name
I.MX-P.W.Board			R6207	06S15616Y23	RES,RK JUMPER1/16-CP
I.MX-P.W.Board			R6208	06S15616Y23	RES,RK JUMPER1/16-CP
I.MX-P.W.Board			R6209	06S15616Y23	RES,RK JUMPER1/16-CP
I.MX-P.W.Board			R6210	06S15616Y23	RES,RK JUMPER1/16-CP
I.MX-P.W.Board			R6300	06S15615Y73	RES,RK 103J 1/16 -CP
I.MX-P.W.Board			R6301	06S15615Y73	RES,RK 103J 1/16 -CP
I.MX-P.W.Board			R6303	06S15615Y65	RES,RK 472J 1/16 -CP
I.MX-P.W.Board			R6304	06S15615Y09	RES,RK 22RJ 1/16 -CP
I.MX-P.W.Board			R6305	06S15615Y09	RES,RK 22RJ 1/16 -CP
I.MX-P.W.Board			R6401	06S70072F41	RES,CP .331-J-1/4-CP
I.MX-P.W.Board			R6402	06S35083Y86	RES,RK 75RF 1/4 -CP
I.MX-P.W.Board			R6403	06S45674W57	RES,RK 102J 1/10 -CP
I.MX-P.W.Board			R6404	06S45674W57	RES,RK 102J 1/10 -CP
I.MX-P.W.Board			R6406	06S70072F41	RES,CP .331-J-1/4-CP
I.MX-P.W.Board			R6407	06S35083Y86	RES,RK 75RF 1/4 -CP
I.MX-P.W.Board			R6408	06S45674W57	RES,RK 102J 1/10 -CP
I.MX-P.W.Board			R6409	06S45674W57	RES,RK 102J 1/10 -CP
I.MX-P.W.Board			R6410	06S15615Y25	RES,RK 101J 1/16 -CP
I.MX-P.W.Board			R6411	06S70072F53	RES,CP .102-J-1/4-CP
I.MX-P.W.Board			R6412	06S70072F53	RES,CP .102-J-1/4-CP
I.MX-P.W.Board			R6413	06S70072F53	RES,CP .102-J-1/4-CP
I.MX-P.W.Board			R6414	06S15615Y09	RES,RK 22RJ 1/16 -CP
I.MX-P.W.Board			R6415	06S15615Y81	RES,RK 223J 1/16 -CP
I.MX-P.W.Board			R6416	06S15615Y73	RES,RK 103J 1/16 -CP
I.MX-P.W.Board			R6417	06S70072F53	RES,CP .102-J-1/4-CP

P.W.Board	MIS	MODEL	Ref.	Parts No.	Parts Name
I.MX-P.W.Board			R6418	06S45674W33	RES,RK 101J 1/10 -CP
I.MX-P.W.Board			R6419	06S70072F69	RES,CP .472-J-1/4-CP
I.MX-P.W.Board			R6420	06S70072F53	RES,CP .102-J-1/4-CP
I.MX-P.W.Board			R6421	06S70072F53	RES,CP .102-J-1/4-CP
I.MX-P.W.Board			R6422	06S70072F53	RES,CP .102-J-1/4-CP
I.MX-P.W.Board			R6433	06S15615Y25	RES,RK 101J 1/16 -CP
I.MX-P.W.Board			R6503	06S15616Y23	RES,RK JUMPER1/16-CP
I.MX-P.W.Board			R6504	06S15616Y23	RES,RK JUMPER1/16-CP
I.MX-P.W.Board			R6505	06S15616Y23	RES,RK JUMPER1/16-CP
I.MX-P.W.Board			R6506	06S15616Y23	RES,RK JUMPER1/16-CP
I.MX-P.W.Board			RA4000	06S15771Y13	RES,ARYEXB28V101J-CP
I.MX-P.W.Board			RA4001	06S15771Y13	RES,ARYEXB28V101J-CP
I.MX-P.W.Board			RA4002	06S15771Y13	RES,ARYEXB28V101J-CP
I.MX-P.W.Board			RA4003	06S15771Y13	RES,ARYEXB28V101J-CP
I.MX-P.W.Board			RA4004	06S15771Y13	RES,ARYEXB28V101J-CP
I.MX-P.W.Board			RA4005	06S15771Y13	RES,ARYEXB28V101J-CP
I.MX-P.W.Board			RA4006	06S15771Y13	RES,ARYEXB28V101J-CP
I.MX-P.W.Board			RA4007	06S15771Y13	RES,ARYEXB28V101J-CP
I.MX-P.W.Board			RA4008	06S15771Y13	RES,ARYEXB28V101J-CP
I.MX-P.W.Board			RA4009	06S15771Y13	RES,ARYEXB28V101J-CP
I.MX-P.W.Board			SD4800	48-16030Z02	DIO,SHT 1PS79SB31-CP
I.MX-P.W.Board			SD5650	48-19296Z01	DIO,SHT RB056L-40-E1
I.MX-P.W.Board			SD5700	48-19296Z01	DIO,SHT RB056L-40-E1
I.MX-P.W.Board			TML6300	29-22483Z02	OG-453065 -E5
I.MX-P.W.Board			TU4800	TU-33964Z01	GPS GV-8620A -EA

P.W.Board	MIS	MODEL	Ref.	Parts No.	Parts Name
I.MX-P.W.Board			XL4000	91-26661Z36	XTL,NX3225SAAG24.0CP
I.MX-P.W.Board			XL4001	91-26198Z03	XTL,NX3215 32.7NS-E1
I.MX-P.W.Board			XL5000	91-26661Z34	XTL,NX3225SAAG32.0CP
I.MX-P.W.Board			Z4800	91T45556Y03	EMI,NFM21HC101U1H-CP
I.MX-P.W.Board			Z4801	91T45556Y03	EMI,NFM21HC101U1H-CP
I.MX-P.W.Board			Z5700	91-18210Z01	EMI,EXC24CE900U -CP
I.MX-P.W.Board			ZD6402	48-16145Z22	DIO,ZEN PZU5.6B2 -CP
I.MX-P.W.Board			ZD6403	48-16145Z22	DIO,ZEN PZU5.6B2 -CP
AUDIO-P.W.Board			ANT3000	09-17241Z09	ASSY,ANID-0116-09A
AUDIO-P.W.Board			C2000	08S35374W11	CAP,CER 475K-B0J -CP
AUDIO-P.W.Board			C2001	08S65668Y05	CAP,CER 224KX5R1A-CP
AUDIO-P.W.Board			C2002	08S65668Y05	CAP,CER 224KX5R1A-CP
AUDIO-P.W.Board			C2003	08S65668Y05	CAP,CER 224KX5R1A-CP
AUDIO-P.W.Board			C2004	08S65668Y05	CAP,CER 224KX5R1A-CP
AUDIO-P.W.Board			C2005	08S65668Y05	CAP,CER 224KX5R1A-CP
AUDIO-P.W.Board			C2006	08S45231Y16	CAP,CER 18RJ-CH1H-CP
AUDIO-P.W.Board			C2007	08S45231Y16	CAP,CER 18RJ-CH1H-CP
AUDIO-P.W.Board			C2008	08S45231Y10	CAP,CER 7R0D-CH1H-CP
AUDIO-P.W.Board			C2009	08S45231Y11	CAP,CER 8R0D-CH1H-CP
AUDIO-P.W.Board			C2010	08S45231Y38	CAP,CER 102J-CH1H-CP
AUDIO-P.W.Board			C2011	08S45231Y38	CAP,CER 102J-CH1H-CP
AUDIO-P.W.Board			C2012	08S45232Y21	CAP,CER 104K-B1A-CP
AUDIO-P.W.Board			C2013	08S45231Y38	CAP,CER 102J-CH1H-CP
AUDIO-P.W.Board			C2014	08S65128F89	CAP,CER 333K-B1H -CP
AUDIO-P.W.Board			C2016	08S35374W01	CAP,CER 104K-B1E-CP

P.W.Board	MIS	MODEL	Ref.	Parts No.	Parts Name
AUDIO-P.W.Board			C2017	08S45232Y17	CAP,CER 104K-B0J -CP
AUDIO-P.W.Board			C2019	08S45231Y38	CAP,CER 102J-CH1H-CP
AUDIO-P.W.Board			C2200	08S45232Y13	CAP,CER 223K-B1C -CP
AUDIO-P.W.Board			C2201	08S45232Y13	CAP,CER 223K-B1C -CP
AUDIO-P.W.Board			C2202	08S45232Y13	CAP,CER 223K-B1C -CP
AUDIO-P.W.Board			C2203	08S45232Y13	CAP,CER 223K-B1C -CP
AUDIO-P.W.Board			C2204	08S45232Y17	CAP,CER 104K-B0J -CP
AUDIO-P.W.Board			C2205	08S45232Y17	CAP,CER 104K-B0J -CP
AUDIO-P.W.Board			C2206	08S45232Y17	CAP,CER 104K-B0J -CP
AUDIO-P.W.Board			C2207	08S45232Y17	CAP,CER 104K-B0J -CP
AUDIO-P.W.Board			C2208	08S45232Y17	CAP,CER 104K-B0J -CP
AUDIO-P.W.Board			C2209	08S45232Y17	CAP,CER 104K-B0J -CP
AUDIO-P.W.Board			C2210	08S45232Y17	CAP,CER 104K-B0J -CP
AUDIO-P.W.Board			C2211	08S45232Y17	CAP,CER 104K-B0J -CP
AUDIO-P.W.Board			C2212	08S45232Y17	CAP,CER 104K-B0J -CP
AUDIO-P.W.Board			C2213	08S45232Y17	CAP,CER 104K-B0J -CP
AUDIO-P.W.Board			C2214	08S35374W12	CAP,CER 106K-B0J -CP
AUDIO-P.W.Board			C2215	08S45232Y17	CAP,CER 104K-B0J -CP
AUDIO-P.W.Board			C2216	08S45232Y11	CAP,CER 103K-B1C -CP
AUDIO-P.W.Board			C2217	08S45232Y08	CAP,CER 332K-B1H -CP
AUDIO-P.W.Board			C2218	08S45232Y08	CAP,CER 332K-B1H -CP
AUDIO-P.W.Board			C2219	08S45232Y08	CAP,CER 332K-B1H -CP
AUDIO-P.W.Board			C2220	08S45232Y08	CAP,CER 332K-B1H -CP
AUDIO-P.W.Board			C2221	08S45232Y08	CAP,CER 332K-B1H -CP
AUDIO-P.W.Board			C2222	08S45232Y08	CAP,CER 332K-B1H -CP

P.W.Board	MIS	MODEL	Ref.	Parts No.	Parts Name
AUDIO-P.W.Board			C2223	08S45232Y17	CAP,CER 104K-B0J -CP
AUDIO-P.W.Board			C2224	08S45232Y17	CAP,CER 104K-B0J -CP
AUDIO-P.W.Board			C2225	08S45231Y09	CAP,CER 6R0D-CH1H-CP
AUDIO-P.W.Board			C2226	08S45231Y09	CAP,CER 6R0D-CH1H-CP
AUDIO-P.W.Board			C2227	08S45232Y17	CAP,CER 104K-B0J -CP
AUDIO-P.W.Board			C2228	08S45232Y17	CAP,CER 104K-B0J -CP
AUDIO-P.W.Board			C2229	08S45232Y17	CAP,CER 104K-B0J -CP
AUDIO-P.W.Board			C2230	08S45232Y17	CAP,CER 104K-B0J -CP
AUDIO-P.W.Board			C2231	08S45232Y17	CAP,CER 104K-B0J -CP
AUDIO-P.W.Board			C2232	08S35349Y12	CAP,CER 105K-B0J -CP
AUDIO-P.W.Board			C2233	08S35374W11	CAP,CER 475K-B0J -CP
AUDIO-P.W.Board			C2234	08S35374W11	CAP,CER 475K-B0J -CP
AUDIO-P.W.Board			C2235	08S45232Y11	CAP,CER 103K-B1C -CP
AUDIO-P.W.Board			C2236	08S45232Y11	CAP,CER 103K-B1C -CP
AUDIO-P.W.Board			C2237	08S45232Y17	CAP,CER 104K-B0J -CP
AUDIO-P.W.Board			C2238	08S45232Y17	CAP,CER 104K-B0J -CP
AUDIO-P.W.Board			C2239	08S45232Y17	CAP,CER 104K-B0J -CP
AUDIO-P.W.Board			C2240	08S45232Y17	CAP,CER 104K-B0J -CP
AUDIO-P.W.Board			C2241	08S45231Y25	CAP,CER 101J-CH1H-CP
AUDIO-P.W.Board			C2242	08S45232Y17	CAP,CER 104K-B0J -CP
AUDIO-P.W.Board			C2243	08S65670Y06	CAP,CER 226KX5R1A-CP
AUDIO-P.W.Board			C2244	08S65670Y06	CAP,CER 226KX5R1A-CP
AUDIO-P.W.Board			C2246	08S45232Y17	CAP,CER 104K-B0J -CP
AUDIO-P.W.Board			C2248	08S35374W11	CAP,CER 475K-B0J -CP
AUDIO-P.W.Board			C2249	08S45232Y17	CAP,CER 104K-B0J -CP




P.W.Board	MIS	MODEL	Ref.	Parts No.	Parts Name
AUDIO-P.W.Board			C2250	08S45232Y17	CAP,CER 104K-B0J -CP
AUDIO-P.W.Board			C2251	08S45232Y17	CAP,CER 104K-B0J -CP
AUDIO-P.W.Board			C2252	08S45231Y25	CAP,CER 101J-CH1H-CP
AUDIO-P.W.Board			C2253	08S35374W12	CAP,CER 106K-B0J -CP
AUDIO-P.W.Board			C2254	08S35374W12	CAP,CER 106K-B0J -CP
AUDIO-P.W.Board			C2255	08S65670Y06	CAP,CER 226KX5R1A-CP
AUDIO-P.W.Board			C2256	08S45231Y17	CAP,CER 22RJ-CH1H-CP
AUDIO-P.W.Board			C2257	08S45231Y17	CAP,CER 22RJ-CH1H-CP
AUDIO-P.W.Board			C2258	08S45231Y17	CAP,CER 22RJ-CH1H-CP
AUDIO-P.W.Board			C2259	08S45231Y17	CAP,CER 22RJ-CH1H-CP
AUDIO-P.W.Board			C2261	08-26091Z01	CAP,CER 102KX7R2J-CP
AUDIO-P.W.Board			C2400	08S65669Y03	CAP,CER 224KX7R1H-CP
AUDIO-P.W.Board			C2401	08-30898Z01	CAP,TF 155K-1C -CP
AUDIO-P.W.Board			C2402	08S65676Y03	CAP,CER 225KX7R1C-CP
AUDIO-P.W.Board			C2403	08S65676Y03	CAP,CER 225KX7R1C-CP
AUDIO-P.W.Board			C2404	08-30898Z01	CAP,TF 155K-1C -CP
AUDIO-P.W.Board			C2405	08S65670Y03	CAP,CER 335KX5R1E-CP
AUDIO-P.W.Board			C2406	08S65670Y03	CAP,CER 335KX5R1E-CP
AUDIO-P.W.Board			C2407	08S65669Y03	CAP,CER 224KX7R1H-CP
AUDIO-P.W.Board			C2408	08S65669Y03	CAP,CER 224KX7R1H-CP
AUDIO-P.W.Board			C2410	08S45676W85	CAP,CER 104K-B1C -CP
AUDIO-P.W.Board			C2412	08S45676W85	CAP,CER 104K-B1C -CP
AUDIO-P.W.Board			C2501	08S45232Y21	CAP,CER 104K-B1A-CP
AUDIO-P.W.Board			C2502	08S45232Y21	CAP,CER 104K-B1A-CP
AUDIO-P.W.Board			C2503	08S45232Y21	CAP,CER 104K-B1A-CP

P.W.Board	MIS	MODEL	Ref.	Parts No.	Parts Name
AUDIO-P.W.Board			C2504	08S35374W12	CAP,CER 106K-B0J -CP
AUDIO-P.W.Board			C2505	08S45231Y13	CAP,CER 10RD-CH1H-CP
AUDIO-P.W.Board			C2506	08S45231Y13	CAP,CER 10RD-CH1H-CP
AUDIO-P.W.Board			C2507	08S35349Y16	CAP,CER 105K-B1A -CP
AUDIO-P.W.Board			C2508	08S35349Y17	CAP,CER 225K-B0J -CP
AUDIO-P.W.Board			C2509	08S45232Y21	CAP,CER 104K-B1A-CP
AUDIO-P.W.Board			C2510	08S35349Y17	CAP,CER 225K-B0J -CP
AUDIO-P.W.Board			C2511	08S45231Y38	CAP,CER 102J-CH1H-CP
AUDIO-P.W.Board			C2512	08S45231Y38	CAP,CER 102J-CH1H-CP
AUDIO-P.W.Board			C2513	08S45676W85	CAP,CER 104K-B1C -CP
AUDIO-P.W.Board			C2515	08S35374W12	CAP,CER 106K-B0J -CP
AUDIO-P.W.Board			C2516	08S45232Y21	CAP,CER 104K-B1A-CP
AUDIO-P.W.Board			C2601	08S65676Y03	CAP,CER 225KX7R1C-CP
AUDIO-P.W.Board			C2604	08S35349Y12	CAP,CER 105K-B0J -CP
AUDIO-P.W.Board			C2605	08S65669Y03	CAP,CER 224KX7R1H-CP
AUDIO-P.W.Board			C2607	08S35349Y16	CAP,CER 105K-B1A -CP
AUDIO-P.W.Board			C2611	08S65676Y05	CAP,CER 105KX7R1E-CP
AUDIO-P.W.Board			C2612	08S65676Y05	CAP,CER 105KX7R1E-CP
AUDIO-P.W.Board			C2613	08-30898Z02	CAP,TF 105K-1E -CP
AUDIO-P.W.Board			C2614	08-30898Z02	CAP,TF 105K-1E -CP
AUDIO-P.W.Board			C2615	08S65676Y05	CAP,CER 105KX7R1E-CP
AUDIO-P.W.Board			C2616	08S65676Y05	CAP,CER 105KX7R1E-CP
AUDIO-P.W.Board			C2617	08-30898Z02	CAP,TF 105K-1E -CP
AUDIO-P.W.Board			C2618	08-30898Z02	CAP,TF 105K-1E -CP
AUDIO-P.W.Board			C2701	08S65670Y03	CAP,CER 335KX5R1E-CP

P.W.Board	MIS	MODEL	Ref.	Parts No.	Parts Name
AUDIO-P.W.Board			C2702	08S65670Y03	CAP,CER 335KX5R1E-CP
AUDIO-P.W.Board			C2703	08S65670Y03	CAP,CER 335KX5R1E-CP
AUDIO-P.W.Board			C2704	08S65670Y03	CAP,CER 335KX5R1E-CP
AUDIO-P.W.Board			C2705	08S65670Y03	CAP,CER 335KX5R1E-CP
AUDIO-P.W.Board			C2706	08S65670Y03	CAP,CER 335KX5R1E-CP
AUDIO-P.W.Board			C2800	08S45231Y38	CAP,CER 102J-CH1H-CP
AUDIO-P.W.Board			C2801	08S65676Y03	CAP,CER 225KX7R1C-CP
AUDIO-P.W.Board			C2805	08S45539Y01	CAP,CER 102KX7R2J-CP
AUDIO-P.W.Board			C2806	08-26091Z01	CAP,CER 102KX7R2J-CP
AUDIO-P.W.Board			C2807	08-26091Z05	CAP,CER 103KX7R2J-CP
AUDIO-P.W.Board			C2810	08S65669Y03	CAP,CER 224KX7R1H-CP
AUDIO-P.W.Board			C2811	08S65128F89	CAP,CER 333K-B1H -CP
AUDIO-P.W.Board			C2812	08S35374W07	CAP,CER 334K-B1C -CP
AUDIO-P.W.Board			C2813	08S35374W07	CAP,CER 334K-B1C -CP
AUDIO-P.W.Board			C2814	08S45231Y28	CAP,CER 181J-CH1H-CP
AUDIO-P.W.Board			C2815	08S45231Y15	CAP,CER 15RJ-CH1H-CP
AUDIO-P.W.Board			C2816	08S65670Y01	CAP,CER 106KX5R1C-CP
AUDIO-P.W.Board			C2818	08S45676W85	CAP,CER 104K-B1C -CP
AUDIO-P.W.Board			C2819	08S65676Y10	CAP,CER 106KX7R1C-CP
AUDIO-P.W.Board			C3000	08S45231Y16	CAP,CER 18RJ-CH1H-CP
AUDIO-P.W.Board			C3002	08S45231Y15	CAP,CER 15RJ-CH1H-CP
AUDIO-P.W.Board			C3003	08S45231Y13	CAP,CER 10RD-CH1H-CP
AUDIO-P.W.Board			C3004	08S45231Y18	CAP,CER 27RJ-CH1H-CP
AUDIO-P.W.Board			C3005	08S45231Y38	CAP,CER 102J-CH1H-CP
AUDIO-P.W.Board			C3006	08S45677W60	CAP,CER 102J-CH1H-CP

P.W.Board	MIS	MODEL	Ref.	Parts No.	Parts Name
AUDIO-P.W.Board			C3007	08S45232Y11	CAP,CER 103K-B1C -CP
AUDIO-P.W.Board			C3008	08S45232Y11	CAP,CER 103K-B1C -CP
AUDIO-P.W.Board			C3009	08S45232Y13	CAP,CER 223K-B1C -CP
AUDIO-P.W.Board			C3010	08S45676W93	CAP,CER 224K-B1A -CP
AUDIO-P.W.Board			C3011	08S45231Y38	CAP,CER 102J-CH1H-CP
AUDIO-P.W.Board			C3012	08S45232Y08	CAP,CER 332K-B1H -CP
AUDIO-P.W.Board			C3013	08S45232Y13	CAP,CER 223K-B1C -CP
AUDIO-P.W.Board			C3014	08S45231Y19	CAP,CER 33RJ-CH1H-CP
AUDIO-P.W.Board			C3015	08S45232Y18	CAP,CER 392K-B1H -CP
AUDIO-P.W.Board			C3016	08S45231Y38	CAP,CER 102J-CH1H-CP
AUDIO-P.W.Board			C3017	08S65670Y01	CAP,CER 106KX5R1C-CP
AUDIO-P.W.Board			C3200	08-19311Z01	CAP,CER 104KX7R1H-CP
AUDIO-P.W.Board			C3201	08-19311Z01	CAP,CER 104KX7R1H-CP
AUDIO-P.W.Board			C3205	08S65669Y03	CAP,CER 224KX7R1H-CP
AUDIO-P.W.Board			C3400	08-19311Z05	CAP,CER 224KX7R1H-CP
AUDIO-P.W.Board			C3401	08S65669Y03	CAP,CER 224KX7R1H-CP
AUDIO-P.W.Board			C3402	08S35349Y16	CAP,CER 105K-B1A -CP
AUDIO-P.W.Board			C3403	08S65669Y03	CAP,CER 224KX7R1H-CP
AUDIO-P.W.Board			C3404	08S65668Y05	CAP,CER 224KX5R1A-CP
AUDIO-P.W.Board			C3405	08S65669Y03	CAP,CER 224KX7R1H-CP
AUDIO-P.W.Board			C3406	08-31895Z01	CAP,CER 226MX7S1C-CP
AUDIO-P.W.Board			C3407	08S65669Y03	CAP,CER 224KX7R1H-CP
AUDIO-P.W.Board			C3408	08S65669Y03	CAP,CER 224KX7R1H-CP
AUDIO-P.W.Board			C3409	08S65669Y03	CAP,CER 224KX7R1H-CP
AUDIO-P.W.Board			C3410	08S65668Y05	CAP,CER 224KX5R1A-CP

P.W.Board	MIS	MODEL	Ref.	Parts No.	Parts Name
AUDIO-P.W.Board			C3412	08S65668Y05	CAP,CER 224KX5R1A-CP
AUDIO-P.W.Board			C3413	08S65676Y08	CAP,CER 106K-X7R1ACP
AUDIO-P.W.Board			C3414	08S65669Y03	CAP,CER 224KX7R1H-CP
AUDIO-P.W.Board			C3415	08S65669Y03	CAP,CER 224KX7R1H-CP
AUDIO-P.W.Board			C3416	08S65670Y06	CAP,CER 226KX5R1A-CP
AUDIO-P.W.Board			C3417	08-31895Z01	CAP,CER 226MX7S1C-CP
AUDIO-P.W.Board			C3418	08S65669Y03	CAP,CER 224KX7R1H-CP
AUDIO-P.W.Board			C3419	08S45232Y08	CAP,CER 332K-B1H -CP
AUDIO-P.W.Board			C3420	08-31895Z01	CAP,CER 226MX7S1C-CP
AUDIO-P.W.Board			C3421	08S65669Y03	CAP,CER 224KX7R1H-CP
AUDIO-P.W.Board			C3423	08S45231Y25	CAP,CER 101J-CH1H-CP
AUDIO-P.W.Board			C3424	08S45231Y26	CAP,CER 121J-CH1H-CP
AUDIO-P.W.Board			C3425	08S65676Y09	CAP,CER 475KX7R1H-CP
AUDIO-P.W.Board			C3426	08S65670Y06	CAP,CER 226KX5R1A-CP
AUDIO-P.W.Board			C3427	08-19311Z05	CAP,CER 224KX7R1H-CP
AUDIO-P.W.Board			C3428	08S65669Y03	CAP,CER 224KX7R1H-CP
AUDIO-P.W.Board			C3429	08S65676Y08	CAP,CER 106K-X7R1ACP
AUDIO-P.W.Board			C3430	08-31895Z01	CAP,CER 226MX7S1C-CP
AUDIO-P.W.Board			C3431	08-31895Z01	CAP,CER 226MX7S1C-CP
AUDIO-P.W.Board			C3432	08S65669Y03	CAP,CER 224KX7R1H-CP
AUDIO-P.W.Board			C3433	08S65676Y09	CAP,CER 475KX7R1H-CP
AUDIO-P.W.Board			C3434	08S65669Y03	CAP,CER 224KX7R1H-CP
AUDIO-P.W.Board			C3435	08S65669Y03	CAP,CER 224KX7R1H-CP
AUDIO-P.W.Board			C3436	08-19311Z05	CAP,CER 224KX7R1H-CP
AUDIO-P.W.Board			C3440	08S65669Y03	CAP,CER 224KX7R1H-CP

P.W.Board	MIS	MODEL	Ref.	Parts No.	Parts Name
AUDIO-P.W.Board			C3450	08S65669Y03	CAP,CER 224KX7R1H-CP
AUDIO-P.W.Board			C3501	08S45231Y25	CAP,CER 101J-CH1H-CP
AUDIO-P.W.Board			C3502	08S45232Y05	CAP,CER 102K-B1H -CP
AUDIO-P.W.Board			C3510	08S45676W85	CAP,CER 104K-B1C -CP
AUDIO-P.W.Board			C3520	08S65128F88	CAP,CER 104K-B1H -CP
AUDIO-P.W.Board			CB2000	09-09769Z09	FFC,FH12-30S-0.5SVES
AUDIO-P.W.Board			CB2800	09-25106Z01	WTB,S10B-PUDSS-1 -DB
AUDIO-P.W.Board			CB2801	09-25106Z02	WTB,S12B-PUDSS-1 -DB
AUDIO-P.W.Board			CB2803	09T35473Y16	WTB,F169B001-16 -DB
AUDIO-P.W.Board			CB2804	09T85454W03	WTB,53398-0371 -E6
AUDIO-P.W.Board			CH3200	09-29653Z01	BTB,FX23-100S-0.5S-T
AUDIO-P.W.Board			D2600	48-05965Z01	DIO,1SS361-L -CP
AUDIO-P.W.Board			D2700	48-17624Z01	DIO,DA3J102D0L -CP
AUDIO-P.W.Board			D2701	48-17624Z01	DIO,DA3J102D0L -CP
AUDIO-P.W.Board			D2702	48-17624Z01	DIO,DA3J102D0L -CP
AUDIO-P.W.Board			D2800	48-05965Z01	DIO,1SS361-L -CP
AUDIO-P.W.Board			D2801	48-05164Z01	DIO,1SS352-TPH3 -CP
AUDIO-P.W.Board			D3000	48-17547Z01	DIO,DA3J101F0L -CP
AUDIO-P.W.Board			D3440	48T75527Y01	DIO,1SR154-400 -E1
AUDIO-P.W.Board			D3500	48-05164Z01	DIO,1SS352-TPH3 -CP
AUDIO-P.W.Board			D3520	48-05965Z01	DIO,1SS361-L -CP
AUDIO-P.W.Board			E2200	23T75543Y04	CAP,MVA 221-0JF55-E6
AUDIO-P.W.Board			E2201	23S75244Y18	CAP,ELY 47R-1C -E3
AUDIO-P.W.Board			E2400	23-31100Z12	CAP,MAK 101-1C -E6
AUDIO-P.W.Board			E2401	23-31100Z07	CAP,MAK 101-1A -E6

P.W.Board	MIS	MODEL	Ref.	Parts No.	Parts Name
AUDIO-P.W.Board			E2600	23S75244Y19	CAP,ELY 101-1C -E6
AUDIO-P.W.Board			E2601	23-31100Z17	CAP,MAK 10R-1E -E3
AUDIO-P.W.Board			E2602	23-31100Z17	CAP,MAK 10R-1E -E3
AUDIO-P.W.Board			E2800	23-19876Z04	CAP,CST 472-1E +
AUDIO-P.W.Board			E3200	23S75244Y31	CAP,ELY 471-1E -EA
AUDIO-P.W.Board			E3400	23S75244Y14	CAP,ELY 681-1A -EA
AUDIO-P.W.Board			E3401	23S75244Y19	CAP,ELY 101-1C -E6
AUDIO-P.W.Board			E3402	23-31100Z18	CAP,MAK 22R-1E -E6
AUDIO-P.W.Board			E3403	23-31100Z21	CAP,MAK 101-1E -EA
AUDIO-P.W.Board			E3404	23-31100Z11	CAP,MAK 47R-1C -E6
AUDIO-P.W.Board			E3405	23-31100Z10	CAP,MAK 22R-1C -E3
AUDIO-P.W.Board			E3406	23S75244Y25	CAP,ELY 22R-1E -E3
AUDIO-P.W.Board			E3440	23T65114Y25	CAP,FK 10R-1E-B -E2
AUDIO-P.W.Board			E3450	23S75244Y25	CAP,ELY 22R-1E -E3
AUDIO-P.W.Board			IC2000	83-32412Z81	WLingo_BU_Soft_V0.990
AUDIO-P.W.Board			IC2000	51-25324Z01	MTP,D70F3343GC(A)-QT
AUDIO-P.W.Board			IC2001	51-04315Z22	BU4229G-TR -CP
AUDIO-P.W.Board			IC2002	51-24804Z01	BR24T08FVM-WGTR -SE1
AUDIO-P.W.Board			IC2200	51-28470Z01	SAF7741HV/N115Z -QT
AUDIO-P.W.Board			IC2201	51T45360Y02	TC7WH14FK -CP
AUDIO-P.W.Board			IC2202	51T45360Y02	TC7WH14FK -CP
AUDIO-P.W.Board			IC2400	51-16740Z02	BD34601FS-ME2 -SE6
AUDIO-P.W.Board			IC2500	51-32736Z01	AK7738VQ -QEA
AUDIO-P.W.Board			IC2600	51-30375Z01	STPA003OD-4WX -ZS
AUDIO-P.W.Board			IC2801	51T15647Y01	NJM4558V-TE2 -SE2

P.W.Board	MIS	MODEL	Ref.	Parts No.	Parts Name
AUDIO-P.W.Board			IC3000	51-15831Z02	TEF7000AHN/V1 -LT
AUDIO-P.W.Board			IC3400	51-13711Z02	TB2920AHQ -ZS
AUDIO-P.W.Board			IC3401	51-25207Z01	S-1172B33-U5T1U -NE2
AUDIO-P.W.Board			IC3402	51T55517Y01	NJU7223DL118-TE1-NE5
AUDIO-P.W.Board			IC3403	51-07902Z02	NJM2871BF33-TE1 -CP
AUDIO-P.W.Board			IC3404	51-28779Z01	BD90620EFJ-CE2 -SE2
AUDIO-P.W.Board			IC3405	51-23593Z02	BD00IC0WEFJ-ME2 -SE2
AUDIO-P.W.Board			IC3406	51-28614Z01	BD00FC0EEFJ-ME2 -SE2
AUDIO-P.W.Board			IC3500	51-20765Z36	S-1009N42H-M5T2U -CP
AUDIO-P.W.Board			L2200	24-06212Z01	FBI,BLM15AG601SH1-CP
AUDIO-P.W.Board			L2201	24-06212Z01	FBI,BLM15AG601SH1-CP
AUDIO-P.W.Board			L2202	24-06212Z01	FBI,BLM15AG601SH1-CP
AUDIO-P.W.Board			L2203	24-06212Z01	FBI,BLM15AG601SH1-CP
AUDIO-P.W.Board			L2204	24-06212Z01	FBI,BLM15AG601SH1-CP
AUDIO-P.W.Board			L2205	24-06212Z01	FBI,BLM15AG601SH1-CP
AUDIO-P.W.Board			L2206	24-06212Z01	FBI,BLM15AG601SH1-CP
AUDIO-P.W.Board			L2207	24-06212Z01	FBI,BLM15AG601SH1-CP
AUDIO-P.W.Board			L2208	24-06212Z08	FBI,BLM15BD102SH1-CP
AUDIO-P.W.Board			L2209	24-06212Z08	FBI,BLM15BD102SH1-CP
AUDIO-P.W.Board			L2210	24-06212Z08	FBI,BLM15BD102SH1-CP
AUDIO-P.W.Board			L2211	24-06212Z08	FBI,BLM15BD102SH1-CP
AUDIO-P.W.Board			L2212	24-06212Z08	FBI,BLM15BD102SH1-CP
AUDIO-P.W.Board			L2213	24-06212Z08	FBI,BLM15BD102SH1-CP
AUDIO-P.W.Board			L2214	24-06212Z08	FBI,BLM15BD102SH1-CP
AUDIO-P.W.Board			L2215	24-06212Z08	FBI,BLM15BD102SH1-CP

P.W.Board	MIS	MODEL	Ref.	Parts No.	Parts Name
AUDIO-P.W.Board			L2216	24-06212Z08	FBI,BLM15BD102SH1-CP
AUDIO-P.W.Board			L2217	24-06212Z08	FBI,BLM15BD102SH1-CP
AUDIO-P.W.Board			L2218	24-06212Z08	FBI,BLM15BD102SH1-CP
AUDIO-P.W.Board			L2500	24-06212Z05	FBI,BLM15BB121SH1-CP
AUDIO-P.W.Board			L2501	24-06212Z05	FBI,BLM15BB121SH1-CP
AUDIO-P.W.Board			L2502	24-06212Z05	FBI,BLM15BB121SH1-CP
AUDIO-P.W.Board			L2503	24-06212Z01	FBI,BLM15AG601SH1-CP
AUDIO-P.W.Board			L2504	24-06212Z01	FBI,BLM15AG601SH1-CP
AUDIO-P.W.Board			L2505	24-06212Z01	FBI,BLM15AG601SH1-CP
AUDIO-P.W.Board			L3000	24T55476Y02	IND,LLQ2012 R27J -CP
AUDIO-P.W.Board			L3001	24T25164Y18	IND,FSLM2520 2R7J-CP
AUDIO-P.W.Board			L3002	24T25164Y16	IND,FSLM2520 1R8J-CP
AUDIO-P.W.Board			L3003	24T55476Y13	IND,LLQ2012 R22J -CP
AUDIO-P.W.Board			L3004	24-17733Z02	IND,NLCV32T-331K -CP
AUDIO-P.W.Board			L3005	24-17733Z02	IND,NLCV32T-331K -CP
AUDIO-P.W.Board			L3006	24T45379Y03	IND,D53LC 3R3M -E2
AUDIO-P.W.Board			L3007	24T55476Y13	IND,LLQ2012 R22J -CP
AUDIO-P.W.Board			L3400	24-22371Z01	IND,NRS4018T 2R2M-E2
AUDIO-P.W.Board			L3401	24-22372Z06	IND,NRS6045T 47RM-E2
AUDIO-P.W.Board			PS2800	48-27319Z02	POLY,SW1812L075/24E2
AUDIO-P.W.Board			Q2600	48T25737Y02	TR,UMD3N-TR -CP
AUDIO-P.W.Board			Q2601	48-20093Z01	TR,DMC561010R -CP
AUDIO-P.W.Board			Q2701	48T75180Y04	TR,IMH23-T110 -CP
AUDIO-P.W.Board			Q2702	48T75180Y04	TR,IMH23-T110 -CP
AUDIO-P.W.Board			Q2703	48T75180Y04	TR,IMH23-T110 -CP

P.W.Board	MIS	MODEL	Ref.	Parts No.	Parts Name
AUDIO-P.W.Board			Q2800	48-12999Z01	TR,LTA114EUBFS8-TLCP
AUDIO-P.W.Board			Q2801	48-13000Z05	TR,LTC124EUBFS8-TLCP
AUDIO-P.W.Board			Q2802	48-13000Z01	TR,LTC114EUBFS8-TLCP
AUDIO-P.W.Board			Q3400	48T25737Y01	TR,UMD2N-TR -CP
AUDIO-P.W.Board			Q3410	48T94606F08	TR,DTC143EUA-T106-CP
AUDIO-P.W.Board			Q3411	48-17872Z01	TR,2PA1576Q -CP
AUDIO-P.W.Board			Q3500	48T25737Y01	TR,UMD2N-TR -CP
AUDIO-P.W.Board			Q3510	48-04929Z03	TR,KRC103S-RTK -CP
AUDIO-P.W.Board			Q3520	48T25737Y01	TR,UMD2N-TR -CP
AUDIO-P.W.Board			R2000	06S15615Y49	RES,RK 102J 1/16 -CP
AUDIO-P.W.Board			R2001	06S15615Y73	RES,RK 103J 1/16 -CP
AUDIO-P.W.Board			R2002	06S15616Y22	RES,RK 105J 1/16 -CP
AUDIO-P.W.Board			R2003	06S15616Y23	RES,RK JUMPER1/16-CP
AUDIO-P.W.Board			R2004	06S15615Y81	RES,RK 223J 1/16 -CP
AUDIO-P.W.Board			R2005	06S15615Y73	RES,RK 103J 1/16 -CP
AUDIO-P.W.Board			R2006	06S15615Y73	RES,RK 103J 1/16 -CP
AUDIO-P.W.Board			R2008	06S15616Y23	RES,RK JUMPER1/16-CP
AUDIO-P.W.Board			R2009	06S15616Y43	RES,RK 106J 1/16 -CP
AUDIO-P.W.Board			R2010	06S15615Y25	RES,RK 101J 1/16 -CP
AUDIO-P.W.Board			R2011	06S15615Y25	RES,RK 101J 1/16 -CP
AUDIO-P.W.Board			R2012	06S15615Y25	RES,RK 101J 1/16 -CP
AUDIO-P.W.Board			R2013	06S15615Y25	RES,RK 101J 1/16 -CP
AUDIO-P.W.Board			R2015	06S15615Y25	RES,RK 101J 1/16 -CP
AUDIO-P.W.Board			R2016	06S15615Y25	RES,RK 101J 1/16 -CP
AUDIO-P.W.Board			R2017	06S65415Y41	RES,RK 223F 1/16 -CP

P.W.Board	MIS	MODEL	Ref.	Parts No.	Parts Name
AUDIO-P.W.Board			R2018	06S15615Y73	RES,RK 103J 1/16 -CP
AUDIO-P.W.Board			R2021	06S15616Y23	RES,RK JUMPER1/16-CP
AUDIO-P.W.Board			R2022	06S15615Y25	RES,RK 101J 1/16 -CP
AUDIO-P.W.Board			R2023	06S15615Y25	RES,RK 101J 1/16 -CP
AUDIO-P.W.Board			R2024	06S15615Y81	RES,RK 223J 1/16 -CP
AUDIO-P.W.Board			R2027	06S15615Y73	RES,RK 103J 1/16 -CP
AUDIO-P.W.Board			R2028	06S15615Y25	RES,RK 101J 1/16 -CP
AUDIO-P.W.Board			R2029	06S15615Y73	RES,RK 103J 1/16 -CP
AUDIO-P.W.Board			R2030	06S15615Y73	RES,RK 103J 1/16 -CP
AUDIO-P.W.Board			R2031	06S15615Y73	RES,RK 103J 1/16 -CP
AUDIO-P.W.Board			R2032	06S15615Y81	RES,RK 223J 1/16 -CP
AUDIO-P.W.Board			R2033	06S15615Y81	RES,RK 223J 1/16 -CP
AUDIO-P.W.Board			R2034	06S15615Y81	RES,RK 223J 1/16 -CP
AUDIO-P.W.Board			R2035	06S15615Y81	RES,RK 223J 1/16 -CP
AUDIO-P.W.Board			R2041	06S15615Y09	RES,RK 22RJ 1/16 -CP
AUDIO-P.W.Board			R2042	06S15615Y73	RES,RK 103J 1/16 -CP
AUDIO-P.W.Board			R2043	06S15615Y41	RES,RK 471J 1/16 -CP
AUDIO-P.W.Board			R2044	06S15615Y41	RES,RK 471J 1/16 -CP
AUDIO-P.W.Board			R2045	06S15615Y65	RES,RK 472J 1/16 -CP
AUDIO-P.W.Board			R2046	06S15615Y65	RES,RK 472J 1/16 -CP
AUDIO-P.W.Board			R2047	06S15616Y23	RES,RK JUMPER1/16-CP
AUDIO-P.W.Board			R2048	06S15616Y23	RES,RK JUMPER1/16-CP
AUDIO-P.W.Board			R2056	06S15616Y23	RES,RK JUMPER1/16-CP
AUDIO-P.W.Board			R2058	06S65415Y41	RES,RK 223F 1/16 -CP
AUDIO-P.W.Board			R2203	06S15615Y09	RES,RK 22RJ 1/16 -CP

P.W.Board	MIS	MODEL	Ref.	Parts No.	Parts Name
AUDIO-P.W.Board			R2204	06S15615Y09	RES,RK 22RJ 1/16 -CP
AUDIO-P.W.Board			R2205	06S15615Y09	RES,RK 22RJ 1/16 -CP
AUDIO-P.W.Board			R2210	06S15615Y73	RES,RK 103J 1/16 -CP
AUDIO-P.W.Board			R2211	06S15615Y73	RES,RK 103J 1/16 -CP
AUDIO-P.W.Board			R2212	06S15615Y73	RES,RK 103J 1/16 -CP
AUDIO-P.W.Board			R2213	06S15616Y23	RES,RK JUMPER1/16-CP
AUDIO-P.W.Board			R2214	06S15616Y23	RES,RK JUMPER1/16-CP
AUDIO-P.W.Board			R2215	06S15615Y65	RES,RK 472J 1/16 -CP
AUDIO-P.W.Board			R2216	06S15615Y65	RES,RK 472J 1/16 -CP
AUDIO-P.W.Board			R2218	06S15615Y29	RES,RK 151J 1/16 -CP
AUDIO-P.W.Board			R2219	06S65415Y85	RES,RK 241F 1/16 -CP
AUDIO-P.W.Board			R2220	06S15615Y09	RES,RK 22RJ 1/16 -CP
AUDIO-P.W.Board			R2221	06S15615Y81	RES,RK 223J 1/16 -CP
AUDIO-P.W.Board			R2224	06S15615Y25	RES,RK 101J 1/16 -CP
AUDIO-P.W.Board			R2225	06S15615Y25	RES,RK 101J 1/16 -CP
AUDIO-P.W.Board			R2226	06S45675W43	RES,RK JUMPER1/10-CP
AUDIO-P.W.Board			R2227	06S45674W09	RES,RK 10RJ 1/10 -CP
AUDIO-P.W.Board			R2230	06S45674W09	RES,RK 10RJ 1/10 -CP
AUDIO-P.W.Board			R2232	06S15616Y23	RES,RK JUMPER1/16-CP
AUDIO-P.W.Board			R2239	06S15616Y23	RES,RK JUMPER1/16-CP
AUDIO-P.W.Board			R2243	06S65415Y45	RES,RK 473F 1/16 -CP
AUDIO-P.W.Board			R2244	06S65415Y45	RES,RK 473F 1/16 -CP
AUDIO-P.W.Board			R2245	06S65415Y45	RES,RK 473F 1/16 -CP
AUDIO-P.W.Board			R2246	06S65415Y45	RES,RK 473F 1/16 -CP
AUDIO-P.W.Board			R2247	06S65415Y41	RES,RK 223F 1/16 -CP

P.W.Board	MIS	MODEL	Ref.	Parts No.	Parts Name
AUDIO-P.W.Board			R2248	06S65415Y41	RES,RK 223F 1/16 -CP
AUDIO-P.W.Board			R2249	06S65415Y41	RES,RK 223F 1/16 -CP
AUDIO-P.W.Board			R2250	06S65415Y41	RES,RK 223F 1/16 -CP
AUDIO-P.W.Board			R2400	06S65415Y34	RES,RK 562F 1/16 -CP
AUDIO-P.W.Board			R2401	06S65415Y48	RES,RK 823F 1/16 -CP
AUDIO-P.W.Board			R2402	06S15615Y57	RES,RK 222J 1/16 -CP
AUDIO-P.W.Board			R2403	06S65415Y35	RES,RK 682F 1/16 -CP
AUDIO-P.W.Board			R2404	06S65415Y48	RES,RK 823F 1/16 -CP
AUDIO-P.W.Board			R2405	06S65415Y35	RES,RK 682F 1/16 -CP
AUDIO-P.W.Board			R2406	06S65415Y48	RES,RK 823F 1/16 -CP
AUDIO-P.W.Board			R2409	06S15616Y23	RES,RK JUMPER1/16-CP
AUDIO-P.W.Board			R2411	06S15616Y23	RES,RK JUMPER1/16-CP
AUDIO-P.W.Board			R2500	06S15615Y41	RES,RK 471J 1/16 -CP
AUDIO-P.W.Board			R2501	06S15615Y41	RES,RK 471J 1/16 -CP
AUDIO-P.W.Board			R2502	06S15615Y41	RES,RK 471J 1/16 -CP
AUDIO-P.W.Board			R2503	06S15615Y65	RES,RK 472J 1/16 -CP
AUDIO-P.W.Board			R2504	06S15615Y73	RES,RK 103J 1/16 -CP
AUDIO-P.W.Board			R2505	06S15615Y73	RES,RK 103J 1/16 -CP
AUDIO-P.W.Board			R2506	06S15615Y65	RES,RK 472J 1/16 -CP
AUDIO-P.W.Board			R2507	06S15615Y73	RES,RK 103J 1/16 -CP
AUDIO-P.W.Board			R2508	06S15616Y23	RES,RK JUMPER1/16-CP
AUDIO-P.W.Board			R2510	06S15615Y73	RES,RK 103J 1/16 -CP
AUDIO-P.W.Board			R2511	06S15616Y23	RES,RK JUMPER1/16-CP
AUDIO-P.W.Board			R2512	06S15615Y73	RES,RK 103J 1/16 -CP
AUDIO-P.W.Board			R2513	06S65415Y37	RES,RK 103F 1/16 -CP

P.W.Board	MIS	MODEL	Ref.	Parts No.	Parts Name
AUDIO-P.W.Board			R2514	06S15616Y23	RES,RK JUMPER1/16-CP
AUDIO-P.W.Board			R2515	06S15616Y23	RES,RK JUMPER1/16-CP
AUDIO-P.W.Board			R2516	06S65415Y37	RES,RK 103F 1/16 -CP
AUDIO-P.W.Board			R2518	06S15616Y23	RES,RK JUMPER1/16-CP
AUDIO-P.W.Board			R2519	06S15615Y09	RES,RK 22RJ 1/16 -CP
AUDIO-P.W.Board			R2520	06S15615Y09	RES,RK 22RJ 1/16 -CP
AUDIO-P.W.Board			R2522	06S35095Y08	RES,RK JUMPER 1/4-CP
AUDIO-P.W.Board			R2523	06S15615Y65	RES,RK 472J 1/16 -CP
AUDIO-P.W.Board			R2524	06S15615Y73	RES,RK 103J 1/16 -CP
AUDIO-P.W.Board			R2525	06S15615Y73	RES,RK 103J 1/16 -CP
AUDIO-P.W.Board			R2526	06S15616Y23	RES,RK JUMPER1/16-CP
AUDIO-P.W.Board			R2528	06S15616Y23	RES,RK JUMPER1/16-CP
AUDIO-P.W.Board			R2530	06S35095Y08	RES,RK JUMPER 1/4-CP
AUDIO-P.W.Board			R2531	06S15616Y23	RES,RK JUMPER1/16-CP
AUDIO-P.W.Board			R2533	06S35095Y08	RES,RK JUMPER 1/4-CP
AUDIO-P.W.Board			R2534	06S35095Y08	RES,RK JUMPER 1/4-CP
AUDIO-P.W.Board			R2539	06S15616Y23	RES,RK JUMPER1/16-CP
AUDIO-P.W.Board			R2540	06S15615Y37	RES,RK 331J 1/16 -CP
AUDIO-P.W.Board			R2541	06S15615Y37	RES,RK 331J 1/16 -CP
AUDIO-P.W.Board			R2542	06S15615Y37	RES,RK 331J 1/16 -CP
AUDIO-P.W.Board			R2543	06S15616Y23	RES,RK JUMPER1/16-CP
AUDIO-P.W.Board			R2544	06S15616Y23	RES,RK JUMPER1/16-CP
AUDIO-P.W.Board			R2546	06S15616Y23	RES,RK JUMPER1/16-CP
AUDIO-P.W.Board			R2547	06S15616Y23	RES,RK JUMPER1/16-CP
AUDIO-P.W.Board			R2600	06S15615Y97	RES,RK 104J 1/16 -CP

P.W.Board	MIS	MODEL	Ref.	Parts No.	Parts Name
AUDIO-P.W.Board			R2601	06S70072F29	RES,CP .101-J-1/4-CP
AUDIO-P.W.Board			R2602	06S15615Y49	RES,RK 102J 1/16 -CP
AUDIO-P.W.Board			R2603	06S15615Y25	RES,RK 101J 1/16 -CP
AUDIO-P.W.Board			R2604	06S45674W81	RES,RK 103J 1/10 -CP
AUDIO-P.W.Board			R2605	06S15615Y89	RES,RK 473J 1/16 -CP
AUDIO-P.W.Board			R2606	06S45674W41	RES,RK 221J 1/10 -CP
AUDIO-P.W.Board			R2607	06S15615Y81	RES,RK 223J 1/16 -CP
AUDIO-P.W.Board			R2611	06S15616Y23	RES,RK JUMPER1/16-CP
AUDIO-P.W.Board			R2701	06S45675W03	RES,RK 753J 1/10 -CP
AUDIO-P.W.Board			R2702	06S45675W03	RES,RK 753J 1/10 -CP
AUDIO-P.W.Board			R2703	06S45675W03	RES,RK 753J 1/10 -CP
AUDIO-P.W.Board			R2704	06S45675W03	RES,RK 753J 1/10 -CP
AUDIO-P.W.Board			R2705	06S45675W03	RES,RK 753J 1/10 -CP
AUDIO-P.W.Board			R2706	06S45675W03	RES,RK 753J 1/10 -CP
AUDIO-P.W.Board			R2707	06S64995F29	RES,RK 101J 1/8 -CP
AUDIO-P.W.Board			R2708	06S64995F29	RES,RK 101J 1/8 -CP
AUDIO-P.W.Board			R2709	06S64995F29	RES,RK 101J 1/8 -CP
AUDIO-P.W.Board			R2710	06S64995F29	RES,RK 101J 1/8 -CP
AUDIO-P.W.Board			R2711	06S64995F29	RES,RK 101J 1/8 -CP
AUDIO-P.W.Board			R2712	06S64995F29	RES,RK 101J 1/8 -CP
AUDIO-P.W.Board			R2713	06S45674W41	RES,RK 221J 1/10 -CP
AUDIO-P.W.Board			R2714	06S45674W41	RES,RK 221J 1/10 -CP
AUDIO-P.W.Board			R2715	06S45674W41	RES,RK 221J 1/10 -CP
AUDIO-P.W.Board			R2716	06S45674W41	RES,RK 221J 1/10 -CP
AUDIO-P.W.Board			R2717	06S45674W41	RES,RK 221J 1/10 -CP

P.W.Board	MIS	MODEL	Ref.	Parts No.	Parts Name
AUDIO-P.W.Board			R2718	06S45674W41	RES,RK 221J 1/10 -CP
AUDIO-P.W.Board			R2803	06S70072F53	RES,CP .102-J-1/4-CP
AUDIO-P.W.Board			R2813	06S70072F77	RES,CP .103-J-1/4-CP
AUDIO-P.W.Board			R2814	06S70072F77	RES,CP .103-J-1/4-CP
AUDIO-P.W.Board			R2815	06S35083Y64	RES,RK 3R3F 1/4 -CP
AUDIO-P.W.Board			R2816	06S15615Y81	RES,RK 223J 1/16 -CP
AUDIO-P.W.Board			R2817	06S35083Y64	RES,RK 3R3F 1/4 -CP
AUDIO-P.W.Board			R2818	06S45674W57	RES,RK 102J 1/10 -CP
AUDIO-P.W.Board			R2819	06S45674W57	RES,RK 102J 1/10 -CP
AUDIO-P.W.Board			R2820	06S45674W57	RES,RK 102J 1/10 -CP
AUDIO-P.W.Board			R2821	06S15615Y61	RES,RK 332J 1/16 -CP
AUDIO-P.W.Board			R2822	06S15615Y61	RES,RK 332J 1/16 -CP
AUDIO-P.W.Board			R2823	06S15616Y06	RES,RK 224J 1/16 -CP
AUDIO-P.W.Board			R2824	06S15616Y06	RES,RK 224J 1/16 -CP
AUDIO-P.W.Board			R2825	06S15615Y81	RES,RK 223J 1/16 -CP
AUDIO-P.W.Board			R2826	06S15616Y23	RES,RK JUMPER1/16-CP
AUDIO-P.W.Board			R2827	06S65415Y41	RES,RK 223F 1/16 -CP
AUDIO-P.W.Board			R2828	06S65415Y41	RES,RK 223F 1/16 -CP
AUDIO-P.W.Board			R3000	06S65415Y15	RES,RK 151F 1/16 -CP
AUDIO-P.W.Board			R3001	06S15594Y14	RES,RK 474F 1/10 -CP
AUDIO-P.W.Board			R3002	06S15594Y14	RES,RK 474F 1/10 -CP
AUDIO-P.W.Board			R3006	06S65415Y32	RES,RK 392F 1/16 -CP
AUDIO-P.W.Board			R3007	06S65415Y41	RES,RK 223F 1/16 -CP
AUDIO-P.W.Board			R3400	06S65415Y44	RES,RK 393F 1/16 -CP
AUDIO-P.W.Board			R3401	06S65415Y21	RES,RK 471F 1/16 -CP

P.W.Board	MIS	MODEL	Ref.	Parts No.	Parts Name
AUDIO-P.W.Board			R3402	06S65415Y35	RES,RK 682F 1/16 -CP
AUDIO-P.W.Board			R3403	06-25919Z13	RES,RK 753F 1/16 -CP
AUDIO-P.W.Board			R3406	06S15615Y67	RES,RK 562J 1/16 -CP
AUDIO-P.W.Board			R3407	06-25919Z13	RES,RK 753F 1/16 -CP
AUDIO-P.W.Board			R3409	06S15615Y77	RES,RK 153J 1/16 -CP
AUDIO-P.W.Board			R3410	06S15615Y82	RES,RK 243J 1/16 -CP
AUDIO-P.W.Board			R3411	06S15615Y69	RES,RK 682J 1/16 -CP
AUDIO-P.W.Board			R3412	06S45674W97	RES,RK 473J 1/10 -CP
AUDIO-P.W.Board			R3413	06S65415Y29	RES,RK 222F 1/16 -CP
AUDIO-P.W.Board			R3414	06S65415Y39	RES,RK 153F 1/16 -CP
AUDIO-P.W.Board			R3415	06S15615Y83	RES,RK 273J 1/16 -CP
AUDIO-P.W.Board			R3417	06S65415Y31	RES,RK 332F 1/16 -CP
AUDIO-P.W.Board			R3418	06S15593Y92	RES,RK 623F 1/10 -CP
AUDIO-P.W.Board			R3419	06S15594Y11	RES,RK 364F 1/10 -CP
AUDIO-P.W.Board			R3420	06S15594Y23	RES,RK JUMPER1/10-CP
AUDIO-P.W.Board			R3421	06S15616Y08	RES,RK 274J 1/16 -CP
AUDIO-P.W.Board			R3423	06S15593Y98	RES,RK 114F 1/10 -CP
AUDIO-P.W.Board			R3424	06S15615Y81	RES,RK 223J 1/16 -CP
AUDIO-P.W.Board			R3425	06S65415Y38	RES,RK 123F 1/16 -CP
AUDIO-P.W.Board			R3426	06S65415Y30	RES,RK 272F 1/16 -CP
AUDIO-P.W.Board			R3427	06S65415Y33	RES,RK 472F 1/16 -CP
AUDIO-P.W.Board			R3428	06S65415Y47	RES,RK 683F 1/16 -CP
AUDIO-P.W.Board			R3429	06S65415Y30	RES,RK 272F 1/16 -CP
AUDIO-P.W.Board			R3430	06-25919Z13	RES,RK 753F 1/16 -CP
AUDIO-P.W.Board			R3431	06S65415Y35	RES,RK 682F 1/16 -CP

P.W.Board	MIS	MODEL	Ref.	Parts No.	Parts Name
AUDIO-P.W.Board			R3432	06S15593Y95	RES,RK 823F 1/10 -CP
AUDIO-P.W.Board			R3433	06S15593Y67	RES,RK 562F 1/10 -CP
AUDIO-P.W.Board			R3434	06S65415Y99	RES,RK 512F 1/16 -CP
AUDIO-P.W.Board			R3435	06-25919Z17	RES,RK 164F 1/16 -CP
AUDIO-P.W.Board			R3436	06S15593Y66	RES,RK 512F 1/10 -CP
AUDIO-P.W.Board			R3440	06S70072F77	RES,CP .103-J-1/4-CP
AUDIO-P.W.Board			R3441	06S15615Y89	RES,RK 473J 1/16 -CP
AUDIO-P.W.Board			R3450	06S15615Y25	RES,RK 101J 1/16 -CP
AUDIO-P.W.Board			R3451	06S70072F77	RES,CP .103-J-1/4-CP
AUDIO-P.W.Board			R3460	06-25919Z25	RES,RK 754F 1/16 -CP
AUDIO-P.W.Board			R3464	06S65415Y47	RES,RK 683F 1/16 -CP
AUDIO-P.W.Board			R3465	06S15593Y69	RES,RK 682F 1/10 -CP
AUDIO-P.W.Board			R3500	06S35083Y41	RES,RK 223F 1/4 -CP
AUDIO-P.W.Board			R3501	06S15593Y93	RES,RK 683F 1/10 -CP
AUDIO-P.W.Board			R3502	06S15615Y59	RES,RK 272J 1/16 -CP
AUDIO-P.W.Board			R3503	06S15615Y81	RES,RK 223J 1/16 -CP
AUDIO-P.W.Board			R3510	06S35083Y44	RES,RK 393F 1/4 -CP
AUDIO-P.W.Board			R3511	06S35083Y41	RES,RK 223F 1/4 -CP
AUDIO-P.W.Board			R3520	06S70072F69	RES,CP .472-J-1/4-CP
AUDIO-P.W.Board			R3521	06S70072F69	RES,CP .472-J-1/4-CP
AUDIO-P.W.Board			R3522	06S15615Y89	RES,RK 473J 1/16 -CP
AUDIO-P.W.Board			RA2000	06S15771Y62	RES,ARYEXB28VR000-CP
AUDIO-P.W.Board			SA3001	08-19391Z01	VST,IMSA-6803-01Y-CP
AUDIO-P.W.Board			SD3400	48-19296Z01	DIO,SHT RB056L-40-E1
AUDIO-P.W.Board			SD3401	48-06075Z01	DIO,D4F60 -E2

P.W.Board	MIS	MODEL	Ref.	Parts No.	Parts Name
AUDIO-P.W.Board			T2800	25-12466Z01	CHOKE,GLI-UB3442 -DB
AUDIO-P.W.Board			TH2000	48T75219Y02	TMT,NCP18WB473F1S-CP
AUDIO-P.W.Board			TML2200	29-22483Z02	OG-453065 -E5
AUDIO-P.W.Board			XL2000	91-16024Z01	XTL,AT-41CD2 3.98-E9
AUDIO-P.W.Board			XL2001	91-26198Z03	XTL,NX3215 32.7NS-E1
AUDIO-P.W.Board			XL2200	91-26661Z05	XTL,NX3225SAAG41.6CP
AUDIO-P.W.Board			XL2500	91-26661Z02	XTL,NX3225SAAG12.2CP
AUDIO-P.W.Board			Z2200	91T75196Y18	EMI,BK1005HM601 -CP
AUDIO-P.W.Board			Z2201	91T75196Y18	EMI,BK1005HM601 -CP
AUDIO-P.W.Board			Z3400	91T75196Y01	EMI,BK1005HM102 -CP
AUDIO-P.W.Board			Z3401	91T75196Y01	EMI,BK1005HM102 -CP
AUDIO-P.W.Board			ZD2803	48-23921Z01	DIO,ZEN ZSH5MAZ27-ED
AUDIO-P.W.Board			ZD3500	48-07043Z37	DIO,ZEN KDZ11V -CP
AUDIO-P.W.Board			ZD3510	48-21149Z26	DIO,ZEN DZ2J062M0LCP
AUDIO-P.W.Board			ZD3520	48-01607Z08	DIO,ZEN LUDZ3.9B -CP
FRONT-P.W.Board			C7000	08S45232Y17	CAP,CER 104K-B0J -CP
FRONT-P.W.Board			C7001	08S45232Y17	CAP,CER 104K-B0J -CP
FRONT-P.W.Board			C7005	08S45232Y17	CAP,CER 104K-B0J -CP
FRONT-P.W.Board			C7007	08S45232Y17	CAP,CER 104K-B0J -CP
FRONT-P.W.Board			C7008	08S45232Y17	CAP,CER 104K-B0J -CP
FRONT-P.W.Board			C7010	08S45232Y17	CAP,CER 104K-B0J -CP
FRONT-P.W.Board			C7011	08S45232Y05	CAP,CER 102K-B1H -CP
FRONT-P.W.Board			C7100	08S65668Y05	CAP,CER 224KX5R1A-CP
FRONT-P.W.Board			C7101	08S35374W12	CAP,CER 106K-B0J -CP
FRONT-P.W.Board			C7102	08S65668Y05	CAP,CER 224KX5R1A-CP

P.W.Board	MIS	MODEL	Ref.	Parts No.	Parts Name
FRONT-P.W.Board			C7103	08S35374W12	CAP,CER 106K-B0J -CP
FRONT-P.W.Board			C7106	08S45232Y17	CAP,CER 104K-B0J -CP
FRONT-P.W.Board			C7107	08S45232Y17	CAP,CER 104K-B0J -CP
FRONT-P.W.Board			C7108	08S45232Y17	CAP,CER 104K-B0J -CP
FRONT-P.W.Board			C7109	08S45232Y17	CAP,CER 104K-B0J -CP
FRONT-P.W.Board			C7110	08S45232Y17	CAP,CER 104K-B0J -CP
FRONT-P.W.Board			C7111	08S45232Y17	CAP,CER 104K-B0J -CP
FRONT-P.W.Board			C7112	08S45232Y17	CAP,CER 104K-B0J -CP
FRONT-P.W.Board			C7113	08S45232Y17	CAP,CER 104K-B0J -CP
FRONT-P.W.Board			C7114	08S45232Y17	CAP,CER 104K-B0J -CP
FRONT-P.W.Board			C7115	08S45232Y17	CAP,CER 104K-B0J -CP
FRONT-P.W.Board			C7116	08S45231Y17	CAP,CER 22RJ-CH1H-CP
FRONT-P.W.Board			C7117	08S45231Y17	CAP,CER 22RJ-CH1H-CP
FRONT-P.W.Board			C7118	08S45231Y17	CAP,CER 22RJ-CH1H-CP
FRONT-P.W.Board			C7119	08S45231Y17	CAP,CER 22RJ-CH1H-CP
FRONT-P.W.Board			C7120	08S45231Y17	CAP,CER 22RJ-CH1H-CP
FRONT-P.W.Board			C7121	08S45231Y17	CAP,CER 22RJ-CH1H-CP
FRONT-P.W.Board			C7122	08S45231Y17	CAP,CER 22RJ-CH1H-CP
FRONT-P.W.Board			C7123	08S45677W60	CAP,CER 102J-CH1H-CP
FRONT-P.W.Board			C7124	08S45231Y29	CAP,CER 221J-CH1H-CP
FRONT-P.W.Board			C7125	08S45231Y29	CAP,CER 221J-CH1H-CP
FRONT-P.W.Board			C7126	08S45231Y29	CAP,CER 221J-CH1H-CP
FRONT-P.W.Board			C7127	08S45231Y29	CAP,CER 221J-CH1H-CP
FRONT-P.W.Board			C7128	08S45231Y29	CAP,CER 221J-CH1H-CP
FRONT-P.W.Board			C7129	08S45231Y29	CAP,CER 221J-CH1H-CP

P.W.Board	MIS	MODEL	Ref.	Parts No.	Parts Name
FRONT-P.W.Board			C7200	08S45232Y17	CAP,CER 104K-B0J -CP
FRONT-P.W.Board			C7201	08S45232Y17	CAP,CER 104K-B0J -CP
FRONT-P.W.Board			C7202	08S45232Y17	CAP,CER 104K-B0J -CP
FRONT-P.W.Board			C7203	08S45231Y24	CAP,CER 82RJ-CH1H-CP
FRONT-P.W.Board			C7204	08S45232Y17	CAP,CER 104K-B0J -CP
FRONT-P.W.Board			C7205	08S45232Y17	CAP,CER 104K-B0J -CP
FRONT-P.W.Board			C7206	08S35349Y12	CAP,CER 105K-B0J -CP
FRONT-P.W.Board			C7207	08S45232Y17	CAP,CER 104K-B0J -CP
FRONT-P.W.Board			C7208	08S45232Y17	CAP,CER 104K-B0J -CP
FRONT-P.W.Board			C7209	08S45232Y17	CAP,CER 104K-B0J -CP
FRONT-P.W.Board			C7210	08S45232Y17	CAP,CER 104K-B0J -CP
FRONT-P.W.Board			C7211	08S45231Y20	CAP,CER 39RJ-CH1H-CP
FRONT-P.W.Board			C7212	08S45231Y20	CAP,CER 39RJ-CH1H-CP
FRONT-P.W.Board			C7213	08S45231Y20	CAP,CER 39RJ-CH1H-CP
FRONT-P.W.Board			C7214	08S45231Y20	CAP,CER 39RJ-CH1H-CP
FRONT-P.W.Board			C7215	08S45231Y25	CAP,CER 101J-CH1H-CP
FRONT-P.W.Board			C7216	08S35349Y12	CAP,CER 105K-B0J -CP
FRONT-P.W.Board			C7217	08S35349Y12	CAP,CER 105K-B0J -CP
FRONT-P.W.Board			C7218	08S35374W12	CAP,CER 106K-B0J -CP
FRONT-P.W.Board			C7219	08S45231Y07	CAP,CER 4R0C-CH1H-CP
FRONT-P.W.Board			C7220	08S45231Y07	CAP,CER 4R0C-CH1H-CP
FRONT-P.W.Board			C7221	08S45231Y07	CAP,CER 4R0C-CH1H-CP
FRONT-P.W.Board			C7222	08S45231Y07	CAP,CER 4R0C-CH1H-CP
FRONT-P.W.Board			C7223	08S45231Y07	CAP,CER 4R0C-CH1H-CP
FRONT-P.W.Board			C7224	08S45231Y07	CAP,CER 4R0C-CH1H-CP

P.W.Board	MIS	MODEL	Ref.	Parts No.	Parts Name
FRONT-P.W.Board			C7225	08S45231Y07	CAP,CER 4R0C-CH1H-CP
FRONT-P.W.Board			C7226	08S45231Y07	CAP,CER 4R0C-CH1H-CP
FRONT-P.W.Board			C7227	08S45231Y07	CAP,CER 4R0C-CH1H-CP
FRONT-P.W.Board			C7228	08S45231Y07	CAP,CER 4R0C-CH1H-CP
FRONT-P.W.Board			C7229	08S45231Y07	CAP,CER 4R0C-CH1H-CP
FRONT-P.W.Board			C7230	08S45231Y07	CAP,CER 4R0C-CH1H-CP
FRONT-P.W.Board			C7231	08S35349Y12	CAP,CER 105K-B0J -CP
FRONT-P.W.Board			C7232	08S45231Y07	CAP,CER 4R0C-CH1H-CP
FRONT-P.W.Board			C7233	08S45231Y07	CAP,CER 4R0C-CH1H-CP
FRONT-P.W.Board			C7234	08S45231Y07	CAP,CER 4R0C-CH1H-CP
FRONT-P.W.Board			C7235	08S45231Y07	CAP,CER 4R0C-CH1H-CP
FRONT-P.W.Board			C7236	08S45231Y07	CAP,CER 4R0C-CH1H-CP
FRONT-P.W.Board			C7237	08S45231Y07	CAP,CER 4R0C-CH1H-CP
FRONT-P.W.Board			C7238	08S45231Y07	CAP,CER 4R0C-CH1H-CP
FRONT-P.W.Board			C7239	08S45231Y07	CAP,CER 4R0C-CH1H-CP
FRONT-P.W.Board			C7240	08S45231Y07	CAP,CER 4R0C-CH1H-CP
FRONT-P.W.Board			C7241	08S45231Y07	CAP,CER 4R0C-CH1H-CP
FRONT-P.W.Board			C7242	08S45231Y07	CAP,CER 4R0C-CH1H-CP
FRONT-P.W.Board			C7243	08S45231Y07	CAP,CER 4R0C-CH1H-CP
FRONT-P.W.Board			C7300	08S65671Y04	CAP,CER 106KX5R1H-CP
FRONT-P.W.Board			C7301	08S65671Y04	CAP,CER 106KX5R1H-CP
FRONT-P.W.Board			C7304	08S45232Y11	CAP,CER 103K-B1C -CP
FRONT-P.W.Board			C7305	08S65671Y04	CAP,CER 106KX5R1H-CP
FRONT-P.W.Board			C7306	08S65670Y07	CAP,CER 105KX5R1H-CP
FRONT-P.W.Board			C7307	08S35349Y15	CAP,CER 474K-B1A -CP

P.W.Board	MIS	MODEL	Ref.	Parts No.	Parts Name
FRONT-P.W.Board			C7308	08S35349Y12	CAP,CER 105K-B0J -CP
FRONT-P.W.Board			C7309	08S45231Y38	CAP,CER 102J-CH1H-CP
FRONT-P.W.Board			C7310	08S65669Y03	CAP,CER 224KX7R1H-CP
FRONT-P.W.Board			C7311	08S65669Y03	CAP,CER 224KX7R1H-CP
FRONT-P.W.Board			C7312	08S45676W85	CAP,CER 104K-B1C -CP
FRONT-P.W.Board			C7313	08S45676W85	CAP,CER 104K-B1C -CP
FRONT-P.W.Board			C7314	08S45676W85	CAP,CER 104K-B1C -CP
FRONT-P.W.Board			C7315	08S45676W85	CAP,CER 104K-B1C -CP
FRONT-P.W.Board			C7316	08S45676W85	CAP,CER 104K-B1C -CP
FRONT-P.W.Board			C7317	08S45676W85	CAP,CER 104K-B1C -CP
FRONT-P.W.Board			C7318	08S45676W85	CAP,CER 104K-B1C -CP
FRONT-P.W.Board			C7319	08S45676W85	CAP,CER 104K-B1C -CP
FRONT-P.W.Board			C7320	08S45676W85	CAP,CER 104K-B1C -CP
FRONT-P.W.Board			C7321	08S45676W85	CAP,CER 104K-B1C -CP
FRONT-P.W.Board			C7401	08S45677W60	CAP,CER 102J-CH1H-CP
FRONT-P.W.Board			C7402	08S45677W60	CAP,CER 102J-CH1H-CP
FRONT-P.W.Board			C7404	08-16834Z01	CAP,CER 104KX7R1H-CP
FRONT-P.W.Board			C7405	08S45676W85	CAP,CER 104K-B1C -CP
FRONT-P.W.Board			C7406	08S45231Y32	CAP,CER 391J-CH1H-CP
FRONT-P.W.Board			C7407	08S65670Y01	CAP,CER 106KX5R1C-CP
FRONT-P.W.Board			C7408	08-19311Z05	CAP,CER 224KX7R1H-CP
FRONT-P.W.Board			C7409	08S65670Y01	CAP,CER 106KX5R1C-CP
FRONT-P.W.Board			C7410	08S65670Y01	CAP,CER 106KX5R1C-CP
FRONT-P.W.Board			C7411	08-16834Z01	CAP,CER 104KX7R1H-CP
FRONT-P.W.Board			C7412	08S65670Y09	CAP,CER 106KX5R1E-CP

P.W.Board	MIS	MODEL	Ref.	Parts No.	Parts Name
FRONT-P.W.Board			C7413	08-19311Z05	CAP,CER 224KX7R1H-CP
FRONT-P.W.Board			C7414	08-19311Z05	CAP,CER 224KX7R1H-CP
FRONT-P.W.Board			C7415	08S45676W85	CAP,CER 104K-B1C -CP
FRONT-P.W.Board			C7416	08S65670Y09	CAP,CER 106KX5R1E-CP
FRONT-P.W.Board			C7417	08-19311Z05	CAP,CER 224KX7R1H-CP
FRONT-P.W.Board			C7418	08S65669Y03	CAP,CER 224KX7R1H-CP
FRONT-P.W.Board			C7419	08-19311Z05	CAP,CER 224KX7R1H-CP
FRONT-P.W.Board			C7420	08S35349Y21	CAP,CER 104K-B1H -CP
FRONT-P.W.Board			C7421	08S65670Y02	CAP,CER 225KX5R1E-CP
FRONT-P.W.Board			C7422	08S35374W10	CAP,CER 225K-B1A -CP
FRONT-P.W.Board			C7423	08S65670Y01	CAP,CER 106KX5R1C-CP
FRONT-P.W.Board			C7424	08S65670Y01	CAP,CER 106KX5R1C-CP
FRONT-P.W.Board			C7425	08S65670Y01	CAP,CER 106KX5R1C-CP
FRONT-P.W.Board			C7426	08-19311Z05	CAP,CER 224KX7R1H-CP
FRONT-P.W.Board			C7427	08S35374W12	CAP,CER 106K-B0J -CP
FRONT-P.W.Board			C7428	08S35374W12	CAP,CER 106K-B0J -CP
FRONT-P.W.Board			C7500	08S65676Y09	CAP,CER 475KX7R1H-CP
FRONT-P.W.Board			C7600	08S65668Y05	CAP,CER 224KX5R1A-CP
FRONT-P.W.Board			C7601	08S35374W12	CAP,CER 106K-B0J -CP
FRONT-P.W.Board			C7603	08S65669Y03	CAP,CER 224KX7R1H-CP
FRONT-P.W.Board			C7604	08S65670Y06	CAP,CER 226KX5R1A-CP
FRONT-P.W.Board			C7605	08S65668Y05	CAP,CER 224KX5R1A-CP
FRONT-P.W.Board			C7606	08S35374W12	CAP,CER 106K-B0J -CP
FRONT-P.W.Board			C7607	08S65670Y06	CAP,CER 226KX5R1A-CP
FRONT-P.W.Board			C7608	08S45232Y21	CAP,CER 104K-B1A-CP

P.W.Board	MIS	MODEL	Ref.	Parts No.	Parts Name
FRONT-P.W.Board			C7609	08S65670Y01	CAP,CER 106KX5R1C-CP
FRONT-P.W.Board			C7700	08S65670Y01	CAP,CER 106KX5R1C-CP
FRONT-P.W.Board			C7701	08S65669Y03	CAP,CER 224KX7R1H-CP
FRONT-P.W.Board			C7702	08S65668Y05	CAP,CER 224KX5R1A-CP
FRONT-P.W.Board			C7703	08S65668Y05	CAP,CER 224KX5R1A-CP
FRONT-P.W.Board			C7800	08S35350Y04	CAP,CER 105K-B1C -CP
FRONT-P.W.Board			C7801	08S65668Y05	CAP,CER 224KX5R1A-CP
FRONT-P.W.Board			CB7200	09-14574Z03	FFC,30FHH-SM1-GAN-ED
FRONT-P.W.Board			CB7201	09-14574Z04	FFC,40FHH-SM1-GAN-EQ
FRONT-P.W.Board			CB7202	09-05384Z11	FFC,52745-1597 -E9
FRONT-P.W.Board			CB7300	09-05085Z07	FFC,IMSA9631S-10Y-E9
FRONT-P.W.Board			CB7600	09-23546Z02	FFC,FH52-50S-0.5SHEQ
FRONT-P.W.Board			CB7700	09-23546Z07	FFC,FH52-60S-0.5SHEZ
FRONT-P.W.Board			CB7800	09-14574Z02	FFC,20FHH-SM1-GAN-E9
FRONT-P.W.Board			E7600	23-31100Z18	CAP,MAK 22R-1E -E6
FRONT-P.W.Board			IC7010	51-19098Z01	BU16002KVT-E2 -QEA
FRONT-P.W.Board			IC7100	51-26921Z01	TC90205FG(BS,DRY)-QT
FRONT-P.W.Board			IC7200	83-32412Z80	WIFI Lingo_TP7200_IC_SOFTWARE
FRONT-P.W.Board			IC7200	51-28083Z01	CY8CTMA616AA-22 -QT
FRONT-P.W.Board			IC7201	51T15456Y01	TC74HC4066AFT-EL-SE5
FRONT-P.W.Board			IC7300	51-23103Z01	NJW4607VC3-TE2 -SE2
FRONT-P.W.Board			IC7400	51-14365Z01	LT1946AEMS8E -SE2
FRONT-P.W.Board			IC7401	51-05314Z01	BA4560RFVM-TR -SE1
FRONT-P.W.Board			L7100	24-06212Z01	FBI,BLM15AG601SH1-CP

P.W.Board	MIS	MODEL	Ref.	Parts No.	Parts Name
FRONT-P.W.Board			L7101	24-06212Z01	FBI,BLM15AG601SH1-CP
FRONT-P.W.Board			L7102	24-06212Z06	FBI,BLM15BB221SH1-CP
FRONT-P.W.Board			L7103	24-06212Z06	FBI,BLM15BB221SH1-CP
FRONT-P.W.Board			L7104	24-06212Z06	FBI,BLM15BB221SH1-CP
FRONT-P.W.Board			L7105	24-06212Z06	FBI,BLM15BB221SH1-CP
FRONT-P.W.Board			L7106	24-06212Z06	FBI,BLM15BB221SH1-CP
FRONT-P.W.Board			L7107	24-06212Z06	FBI,BLM15BB221SH1-CP
FRONT-P.W.Board			L7108	24-06212Z06	FBI,BLM15BB221SH1-CP
FRONT-P.W.Board			L7109	24-06212Z06	FBI,BLM15BB221SH1-CP
FRONT-P.W.Board			L7110	24-06212Z06	FBI,BLM15BB221SH1-CP
FRONT-P.W.Board			L7111	24-06212Z06	FBI,BLM15BB221SH1-CP
FRONT-P.W.Board			L7112	24-06212Z06	FBI,BLM15BB221SH1-CP
FRONT-P.W.Board			L7113	24-06212Z06	FBI,BLM15BB221SH1-CP
FRONT-P.W.Board			L7114	24-06212Z06	FBI,BLM15BB221SH1-CP
FRONT-P.W.Board			L7115	24-06212Z06	FBI,BLM15BB221SH1-CP
FRONT-P.W.Board			L7116	24-06212Z06	FBI,BLM15BB221SH1-CP
FRONT-P.W.Board			L7117	24-06212Z06	FBI,BLM15BB221SH1-CP
FRONT-P.W.Board			L7118	24-06212Z06	FBI,BLM15BB221SH1-CP
FRONT-P.W.Board			L7119	24-06212Z06	FBI,BLM15BB221SH1-CP
FRONT-P.W.Board			L7200	24-23860Z04	IND,LK1608 R33K -CP
FRONT-P.W.Board			L7300	24-17231Z01	IND,NR8040 47RM -E6
FRONT-P.W.Board			L7301	24-17231Z01	IND,NR8040 47RM -E6
FRONT-P.W.Board			L7302	24T95456W12	FBI,BLM18AG102SH1-CP
FRONT-P.W.Board			L7303	24-06212Z06	FBI,BLM15BB221SH1-CP
FRONT-P.W.Board			L7400	24T95456W27	FBI,BLM18PG181SH1-CP

P.W.Board	MIS	MODEL	Ref.	Parts No.	Parts Name
FRONT-P.W.Board			L7401	24-02145Z06	IND,NLCV32T 6R8M -CP
FRONT-P.W.Board			Q7300	48-04929Z03	TR,KRC103S-RTK -CP
FRONT-P.W.Board			Q7400	48T55462Y01	TR,2SB1132-QR-100-E2
FRONT-P.W.Board			Q7401	48-13000Z05	TR,LTC124EUBFS8-TLCP
FRONT-P.W.Board			Q7500	48-20288Z01	FET,MTM981400BBF -E2
FRONT-P.W.Board			Q7501	48-13000Z01	TR,LTC114EUBFS8-TLCP
FRONT-P.W.Board			Q7800	48-13000Z04	TR,LTC123JUBFS8-TLCP
FRONT-P.W.Board			Q7801	48-13000Z04	TR,LTC123JUBFS8-TLCP
FRONT-P.W.Board			R7000	06S15615Y25	RES,RK 101J 1/16 -CP
FRONT-P.W.Board			R7002	06S15615Y25	RES,RK 101J 1/16 -CP
FRONT-P.W.Board			R7003	06S15615Y25	RES,RK 101J 1/16 -CP
FRONT-P.W.Board			R7004	06S15616Y23	RES,RK JUMPER1/16-CP
FRONT-P.W.Board			R7005	06S15616Y23	RES,RK JUMPER1/16-CP
FRONT-P.W.Board			R7006	06S15616Y23	RES,RK JUMPER1/16-CP
FRONT-P.W.Board			R7007	06S15616Y23	RES,RK JUMPER1/16-CP
FRONT-P.W.Board			R7008	06S15616Y23	RES,RK JUMPER1/16-CP
FRONT-P.W.Board			R7009	06S15616Y23	RES,RK JUMPER1/16-CP
FRONT-P.W.Board			R7010	06S65415Y11	RES,RK 68RF 1/16 -CP
FRONT-P.W.Board			R7011	06S15616Y23	RES,RK JUMPER1/16-CP
FRONT-P.W.Board			R7012	06S15616Y23	RES,RK JUMPER1/16-CP
FRONT-P.W.Board			R7013	06S15615Y25	RES,RK 101J 1/16 -CP
FRONT-P.W.Board			R7014	06S15615Y29	RES,RK 151J 1/16 -CP
FRONT-P.W.Board			R7015	06S15615Y29	RES,RK 151J 1/16 -CP
FRONT-P.W.Board			R7016	06S15615Y29	RES,RK 151J 1/16 -CP
FRONT-P.W.Board			R7017	06S15615Y29	RES,RK 151J 1/16 -CP

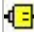

P.W.Board	MIS	MODEL	Ref.	Parts No.	Parts Name
FRONT-P.W.Board			R7018	06S15615Y29	RES,RK 151J 1/16 -CP
FRONT-P.W.Board			R7019	06S15615Y29	RES,RK 151J 1/16 -CP
FRONT-P.W.Board			R7020	06S15615Y29	RES,RK 151J 1/16 -CP
FRONT-P.W.Board			R7021	06S15615Y29	RES,RK 151J 1/16 -CP
FRONT-P.W.Board			R7022	06S15616Y23	RES,RK JUMPER1/16-CP
FRONT-P.W.Board			R7024	06S15615Y25	RES,RK 101J 1/16 -CP
FRONT-P.W.Board			R7102	06S15616Y23	RES,RK JUMPER1/16-CP
FRONT-P.W.Board			R7104	06S15616Y23	RES,RK JUMPER1/16-CP
FRONT-P.W.Board			R7105	06S15616Y23	RES,RK JUMPER1/16-CP
FRONT-P.W.Board			R7106	06S15616Y23	RES,RK JUMPER1/16-CP
FRONT-P.W.Board			R7107	06S15616Y23	RES,RK JUMPER1/16-CP
FRONT-P.W.Board			R7108	06S15616Y23	RES,RK JUMPER1/16-CP
FRONT-P.W.Board			R7109	06S15616Y23	RES,RK JUMPER1/16-CP
FRONT-P.W.Board			R7110	06S15615Y29	RES,RK 151J 1/16 -CP
FRONT-P.W.Board			R7111	06S15615Y29	RES,RK 151J 1/16 -CP
FRONT-P.W.Board			R7112	06S15615Y29	RES,RK 151J 1/16 -CP
FRONT-P.W.Board			R7113	06S15615Y29	RES,RK 151J 1/16 -CP
FRONT-P.W.Board			R7114	06S15615Y29	RES,RK 151J 1/16 -CP
FRONT-P.W.Board			R7115	06S15615Y29	RES,RK 151J 1/16 -CP
FRONT-P.W.Board			R7117	06S15615Y49	RES,RK 102J 1/16 -CP
FRONT-P.W.Board			R7120	06S15615Y73	RES,RK 103J 1/16 -CP
FRONT-P.W.Board			R7121	06S15615Y73	RES,RK 103J 1/16 -CP
FRONT-P.W.Board			R7122	06S15616Y23	RES,RK JUMPER1/16-CP
FRONT-P.W.Board			R7123	06S15615Y29	RES,RK 151J 1/16 -CP
FRONT-P.W.Board			R7124	06S15615Y29	RES,RK 151J 1/16 -CP

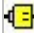



P.W.Board	MIS	MODEL	Ref.	Parts No.	Parts Name
FRONT-P.W.Board			R7125	06S15615Y29	RES,RK 151J 1/16 -CP
FRONT-P.W.Board			R7126	06S15615Y29	RES,RK 151J 1/16 -CP
FRONT-P.W.Board			R7127	06S15615Y29	RES,RK 151J 1/16 -CP
FRONT-P.W.Board			R7128	06S15615Y29	RES,RK 151J 1/16 -CP
FRONT-P.W.Board			R7129	06S15615Y29	RES,RK 151J 1/16 -CP
FRONT-P.W.Board			R7130	06S15615Y29	RES,RK 151J 1/16 -CP
FRONT-P.W.Board			R7131	06S15615Y29	RES,RK 151J 1/16 -CP
FRONT-P.W.Board			R7132	06S15615Y29	RES,RK 151J 1/16 -CP
FRONT-P.W.Board			R7133	06S15615Y29	RES,RK 151J 1/16 -CP
FRONT-P.W.Board			R7134	06S15615Y29	RES,RK 151J 1/16 -CP
FRONT-P.W.Board			R7135	06S15615Y09	RES,RK 22RJ 1/16 -CP
FRONT-P.W.Board			R7137	06S15615Y19	RES,RK 56RJ 1/16 -CP
FRONT-P.W.Board			R7200	06S15616Y23	RES,RK JUMPER1/16-CP
FRONT-P.W.Board			R7201	06S15616Y23	RES,RK JUMPER1/16-CP
FRONT-P.W.Board			R7202	06S15616Y23	RES,RK JUMPER1/16-CP
FRONT-P.W.Board			R7203	06S15615Y65	RES,RK 472J 1/16 -CP
FRONT-P.W.Board			R7204	06S15616Y23	RES,RK JUMPER1/16-CP
FRONT-P.W.Board			R7205	06S15616Y23	RES,RK JUMPER1/16-CP
FRONT-P.W.Board			R7206	06S15616Y23	RES,RK JUMPER1/16-CP
FRONT-P.W.Board			R7207	06S15615Y25	RES,RK 101J 1/16 -CP
FRONT-P.W.Board			R7208	06S15615Y25	RES,RK 101J 1/16 -CP
FRONT-P.W.Board			R7209	06S15616Y23	RES,RK JUMPER1/16-CP
FRONT-P.W.Board			R7210	06S15616Y23	RES,RK JUMPER1/16-CP
FRONT-P.W.Board			R7211	06S15616Y23	RES,RK JUMPER1/16-CP
FRONT-P.W.Board			R7212	06S15616Y23	RES,RK JUMPER1/16-CP

P.W.Board	MIS	MODEL	Ref.	Parts No.	Parts Name
FRONT-P.W.Board			R7213	06S15616Y23	RES,RK JUMPER1/16-CP
FRONT-P.W.Board			R7214	06S15616Y23	RES,RK JUMPER1/16-CP
FRONT-P.W.Board			R7215	06S15616Y23	RES,RK JUMPER1/16-CP
FRONT-P.W.Board			R7216	06S15616Y23	RES,RK JUMPER1/16-CP
FRONT-P.W.Board			R7217	06S15616Y23	RES,RK JUMPER1/16-CP
FRONT-P.W.Board			R7218	06S15616Y23	RES,RK JUMPER1/16-CP
FRONT-P.W.Board			R7219	06S15616Y23	RES,RK JUMPER1/16-CP
FRONT-P.W.Board			R7220	06S15616Y23	RES,RK JUMPER1/16-CP
FRONT-P.W.Board			R7221	06S15616Y23	RES,RK JUMPER1/16-CP
FRONT-P.W.Board			R7222	06S15616Y23	RES,RK JUMPER1/16-CP
FRONT-P.W.Board			R7223	06S15616Y23	RES,RK JUMPER1/16-CP
FRONT-P.W.Board			R7224	06S15616Y23	RES,RK JUMPER1/16-CP
FRONT-P.W.Board			R7225	06S15616Y23	RES,RK JUMPER1/16-CP
FRONT-P.W.Board			R7226	06S15616Y23	RES,RK JUMPER1/16-CP
FRONT-P.W.Board			R7227	06S15616Y23	RES,RK JUMPER1/16-CP
FRONT-P.W.Board			R7228	06S15616Y23	RES,RK JUMPER1/16-CP
FRONT-P.W.Board			R7229	06S15616Y23	RES,RK JUMPER1/16-CP
FRONT-P.W.Board			R7230	06S15616Y23	RES,RK JUMPER1/16-CP
FRONT-P.W.Board			R7231	06S15615Y65	RES,RK 472J 1/16 -CP
FRONT-P.W.Board			R7232	06S15616Y23	RES,RK JUMPER1/16-CP
FRONT-P.W.Board			R7301	06S15615Y81	RES,RK 223J 1/16 -CP
FRONT-P.W.Board			R7302	06S15615Y73	RES,RK 103J 1/16 -CP
FRONT-P.W.Board			R7303	06S15616Y23	RES,RK JUMPER1/16-CP
FRONT-P.W.Board			R7304	06S15615Y79	RES,RK 183J 1/16 -CP
FRONT-P.W.Board			R7305	06S65415Y42	RES,RK 273F 1/16 -CP

P.W.Board	MIS	MODEL	Ref.	Parts No.	Parts Name
FRONT-P.W.Board			R7307	06S15615Y81	RES,RK 223J 1/16 -CP
FRONT-P.W.Board			R7308	06S15615Y35	RES,RK 271J 1/16 -CP
FRONT-P.W.Board			R7309	06S65415Y15	RES,RK 151F 1/16 -CP
FRONT-P.W.Board			R7310	06S65415Y19	RES,RK 331F 1/16 -CP
FRONT-P.W.Board			R7311	06S65415Y23	RES,RK 681F 1/16 -CP
FRONT-P.W.Board			R7312	06S65415Y19	RES,RK 331F 1/16 -CP
FRONT-P.W.Board			R7313	06S65415Y25	RES,RK 102F 1/16 -CP
FRONT-P.W.Board			R7314	06S65415Y11	RES,RK 68RF 1/16 -CP
FRONT-P.W.Board			R7315	06S65415Y21	RES,RK 471F 1/16 -CP
FRONT-P.W.Board			R7316	06S65415Y19	RES,RK 331F 1/16 -CP
FRONT-P.W.Board			R7317	06S65415Y23	RES,RK 681F 1/16 -CP
FRONT-P.W.Board			R7318	06S65415Y18	RES,RK 271F 1/16 -CP
FRONT-P.W.Board			R7319	06S65415Y23	RES,RK 681F 1/16 -CP
FRONT-P.W.Board			R7320	06S65415Y07	RES,RK 33RF 1/16 -CP
FRONT-P.W.Board			R7321	06S65415Y15	RES,RK 151F 1/16 -CP
FRONT-P.W.Board			R7322	06S65415Y09	RES,RK 47RF 1/16 -CP
FRONT-P.W.Board			R7323	06S65415Y25	RES,RK 102F 1/16 -CP
FRONT-P.W.Board			R7324	06S65415Y19	RES,RK 331F 1/16 -CP
FRONT-P.W.Board			R7325	06S65415Y07	RES,RK 33RF 1/16 -CP
FRONT-P.W.Board			R7326	06S65415Y23	RES,RK 681F 1/16 -CP
FRONT-P.W.Board			R7327	06S65415Y07	RES,RK 33RF 1/16 -CP
FRONT-P.W.Board			R7328	06S65415Y07	RES,RK 33RF 1/16 -CP
FRONT-P.W.Board			R7329	06S65415Y18	RES,RK 271F 1/16 -CP
FRONT-P.W.Board			R7330	06S65415Y23	RES,RK 681F 1/16 -CP
FRONT-P.W.Board			R7331	06S65415Y48	RES,RK 823F 1/16 -CP

P.W.Board	MIS	MODEL	Ref.	Parts No.	Parts Name
FRONT-P.W.Board			R7400	06S15615Y89	RES,RK 473J 1/16 -CP
FRONT-P.W.Board			R7401	06S15615Y82	RES,RK 243J 1/16 -CP
FRONT-P.W.Board			R7402	06S65415Y46	RES,RK 563F 1/16 -CP
FRONT-P.W.Board			R7403	06S65415Y33	RES,RK 472F 1/16 -CP
FRONT-P.W.Board			R7404	06S65415Y35	RES,RK 682F 1/16 -CP
FRONT-P.W.Board			R7405	06S70072F61	RES,CP .222-J-1/4-CP
FRONT-P.W.Board			R7406	06S70072F45	RES,CP .471-J-1/4-CP
FRONT-P.W.Board			R7407	06S65415Y38	RES,RK 123F 1/16 -CP
FRONT-P.W.Board			R7408	06S65415Y39	RES,RK 153F 1/16 -CP
FRONT-P.W.Board			R7410	06S65415Y34	RES,RK 562F 1/16 -CP
FRONT-P.W.Board			R7411	06S15616Y23	RES,RK JUMPER1/16-CP
FRONT-P.W.Board			R7412	06S45674W57	RES,RK 102J 1/10 -CP
FRONT-P.W.Board			R7413	06S45674W45	RES,RK 331J 1/10 -CP
FRONT-P.W.Board			R7414	06S65415Y44	RES,RK 393F 1/16 -CP
FRONT-P.W.Board			R7500	06S70072F77	RES,CP .103-J-1/4-CP
FRONT-P.W.Board			R7501	06S70072F43	RES,CP .391-J-1/4-CP
FRONT-P.W.Board			R7800	06S15593Y41	RES,RK 471F 1/10 -CP
FRONT-P.W.Board			R7801	06S15593Y41	RES,RK 471F 1/10 -CP
FRONT-P.W.Board			R7802	06S15593Y49	RES,RK 102F 1/10 -CP
FRONT-P.W.Board			R7803	06S15593Y49	RES,RK 102F 1/10 -CP
FRONT-P.W.Board			R7804	06S15593Y49	RES,RK 102F 1/10 -CP
FRONT-P.W.Board			R7805	06S15593Y49	RES,RK 102F 1/10 -CP
FRONT-P.W.Board			R7806	06S15593Y41	RES,RK 471F 1/10 -CP
FRONT-P.W.Board			R7807	06S15593Y41	RES,RK 471F 1/10 -CP
FRONT-P.W.Board			R7808	06S45675W43	RES,RK JUMPER1/10-CP

P.W.Board	MIS	MODEL	Ref.	Parts No.	Parts Name
FRONT-P.W.Board			RA7000	06S15771Y15	RES,ARYEXB28V151J-CP
FRONT-P.W.Board			RA7001	06S15771Y15	RES,ARYEXB28V151J-CP
FRONT-P.W.Board			RA7002	06S15771Y15	RES,ARYEXB28V151J-CP
FRONT-P.W.Board			RA7003	06S15771Y15	RES,ARYEXB28V151J-CP
FRONT-P.W.Board			SD7300	48-16033Z02	DIOSHT PMEG6010CEJCP
FRONT-P.W.Board			SD7400	48-16033Z01	DIOSHT PMEG4010CEJCP
FRONT-P.W.Board			SD7401	48-22179Z01	DIO,SHT DB3X313FOLCP
FRONT-P.W.Board			SD7402	48-22179Z01	DIO,SHT DB3X313FOLCP
FRONT-P.W.Board			Z7100	24-06212Z05	FBI,BLM15BB121SH1-CP
FRONT-P.W.Board			ZD7400	48-21149Z26	DIO,ZEN DZ2J062M0LCP
WIFI.ANT-P.W.Board			ANT7900	09-07494Z01	U.FL-R-SMT-1(80)-E2
WIFI.ANT-P.W.Board			ANT7901	85-30932Z01	ANT,162442DT-2001-CP
WIFI.ANT-P.W.Board			C7902	08S45231Y01	CAP,CER R50C-CK1H-CP
WIFI.ANT-P.W.Board			L7901	24T75143Y03	IND,HK1005 R0015S-CP
WIFI.ANT-P.W.Board			R7900	06S15616Y23	RES,RK JUMPER1/16-CP
KEY-P.W.Board			C7002	08S35349Y12	CAP,CER 105K-BOJ -CP
KEY-P.W.Board			C7003	08S35349Y12	CAP,CER 105K-BOJ -CP
KEY-P.W.Board			IC7000	51-20270Z01	PNJ4K01F -CP
KEY-P.W.Board			LD7000	48-11867Z01	LED,WHT SMLE12WBC7CP
KEY-P.W.Board			LD7001	48-11867Z01	LED,WHT SMLE12WBC7CP
KEY-P.W.Board			LD7002	48-11867Z01	LED,WHT SMLE12WBC7CP
KEY-P.W.Board			LD7003	48-11867Z01	LED,WHT SMLE12WBC7CP
KEY-P.W.Board			LD7004	48-11867Z01	LED,WHT SMLE12WBC7CP
KEY-P.W.Board			LD7005	48-11867Z01	LED,WHT SMLE12WBC7CP
KEY-P.W.Board			LD7006	48-11867Z01	LED,WHT SMLE12WBC7CP

P.W.Board	MIS	MODEL	Ref.	Parts No.	Parts Name
KEY-P.W.Board			LD7007	48-11867Z01	LED,WHT SMLE12WBC7CP
KEY-P.W.Board			LD7008	48-11867Z01	LED,WHT SMLE12WBC7CP
KEY-P.W.Board			LD7009	48-11867Z01	LED,WHT SMLE12WBC7CP
KEY-P.W.Board			LD7010	48-11867Z01	LED,WHT SMLE12WBC7CP
KEY-P.W.Board			LD7011	48-11867Z01	LED,WHT SMLE12WBC7CP
KEY-P.W.Board			R7001	06S65415Y61	RES,RK 105F 1/16 -CP
KEY-P.W.Board			R7100	06S65415Y41	RES,RK 223F 1/16 -CP
KEY-P.W.Board			R7101	06S65415Y44	RES,RK 393F 1/16 -CP
KEY-P.W.Board			SW7101	40-29197Z01	SW,TACT SKRWADE030E2
KEY-P.W.Board			SW7102	40-29197Z01	SW,TACT SKRWADE030E2
KEY-P.W.Board			ZD7001	48-30452Z01	DIO,ZEN SZESD9X12-CP
KEY-P.W.Board			ZD7002	48-30452Z01	DIO,ZEN SZESD9X12-CP
KEY-P.W.Board			ZD7003	48-30452Z01	DIO,ZEN SZESD9X12-CP
KEY-P.W.Board			ZD7004	48-30452Z01	DIO,ZEN SZESD9X12-CP
Miscellaneous			ANT7902	09-24492Z04	ASSY,U.FL-2LP-066N1
Miscellaneous			ET7201	40-25252Z04	ASSY,HCDSP0A004B
Miscellaneous			LCD7700	65-21891Z01	ASSY,CLAA069LA0ACW
Miscellaneous			M2804	59-14185Z03	MOTOR,ASB0412MA-9D11