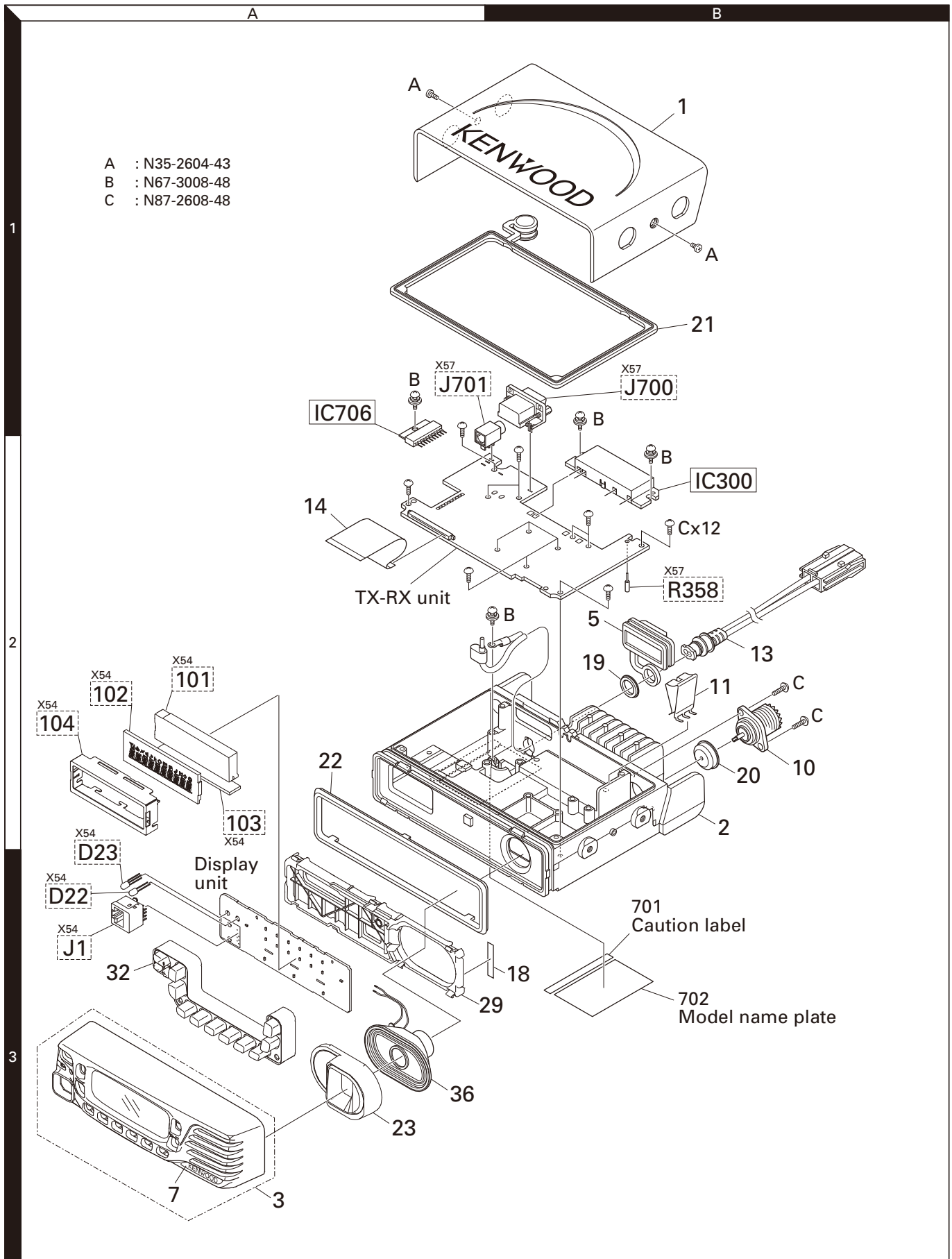
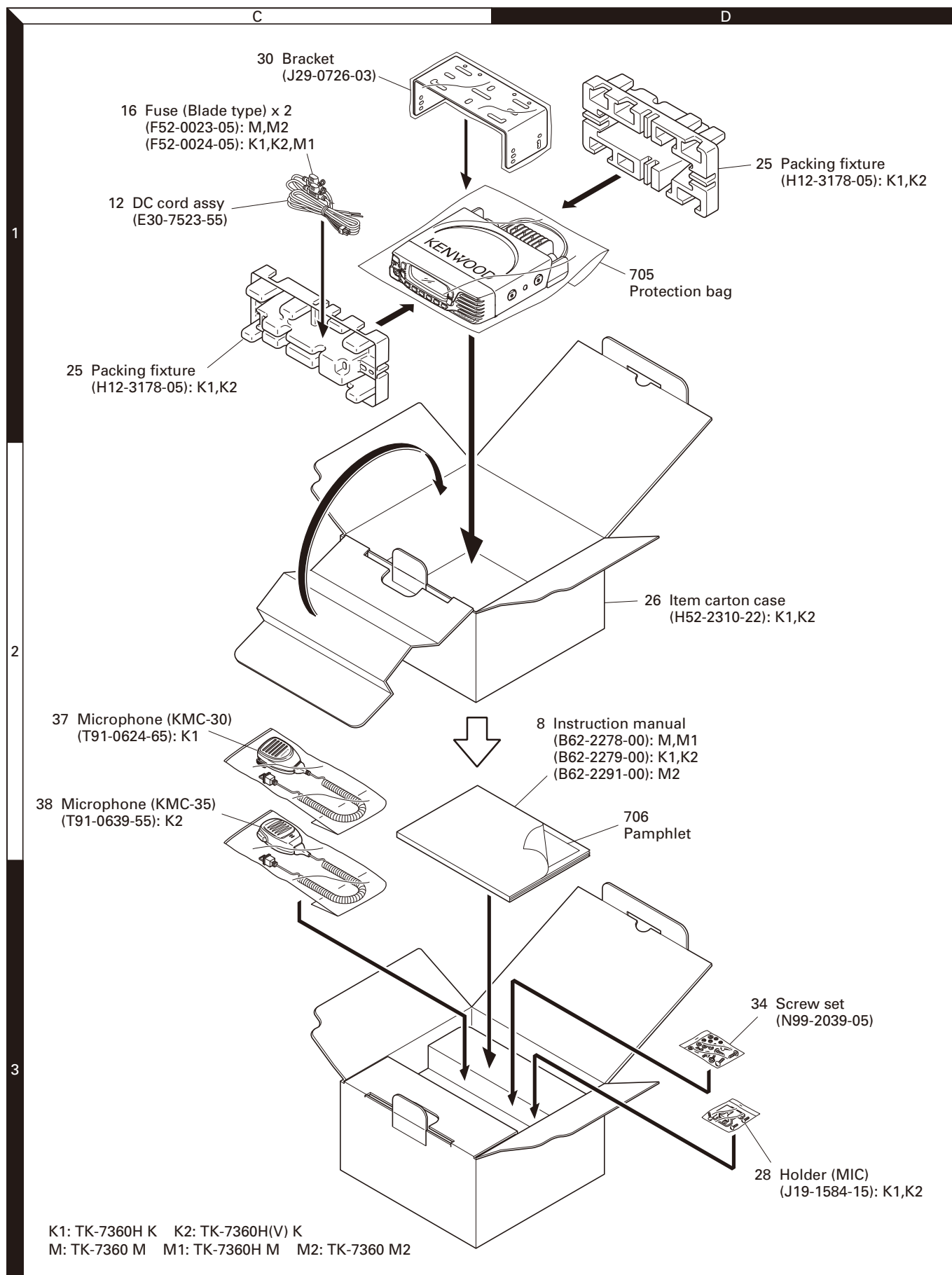


## EXPLODED VIEW



Parts with the exploded numbers larger than 700 are not supplied.  
 If a part reference number is listed in a box on the exploded view of the PCB, that part does not come with the PCB.  
 These parts must be ordered separately.

## PACKING



Parts with the exploded numbers larger than 700 are not supplied.

# TK-7360/7360H/7360H(V)

## PARTS LIST

\* New Parts. Δ indicates safety critical components.

Parts without **Parts No.** are not supplied.

Les articles non mentionnés dans le **Parts No.** ne sont pas fournis.

Teile ohne **Parts No.** werden nicht geliefert.

L : Scandinavia

Y : PX (Far East, Hawaii)

C : China

K : USA

T : England

X : Australia

P : Canada

E : Europe

M : Other Areas

### TK-7360/7360H/7360H(V) DISPLAY UNIT (X54-3740-20)

Ref. No.	Address	New parts	Parts No.	Description	Desti-nation
<b>TK-7360/7360H/7360H(V)</b>					
1	1B		A02-4073-21	PLASTIC CABINET	
2	2B		A10-4129-01	CHASSIS	
3	3A	*	A62-1180-13	PANEL ASSY	
5	2B		B09-0732-03	CAP (D-SUB)	
7	3A	*	B43-1650-04	BADGE	
8	2D	*	B62-2278-00	INSTRUCTION MANUAL (E/R) ACCESSORY	M,M1
8	2D	*	B62-2279-00	INSTRUCTION MANUAL (E/S/F) ACCESSORY	K1,K2
8	2D	*	B62-2291-00	INSTRUCTION MANUAL (E/K) ACCESSORY	M2
10	2B		E04-0167-15	RF COAXIAL RECEPTACLE (M)	
11	2B		E23-1346-14	GROUND TERMINAL (CLIP)	M1,K1,K2
12	1C		E30-7523-55	DC CORD ASSY ACCESSORY	
13	2B		E30-7684-05	DC CORD	
14	2A		E37-1461-05	FLAT CABLE (30P)	
16	1C		F52-0023-05	FUSE (10A BLADE TYPE) ACCESSORY	M,M2
16	1C		F52-0024-05	FUSE (15A BLADE TYPE) ACCESSORY	M1,K1,K2
18	3B		G13-2363-04	CUSHION	
19	2B		G53-1643-04	PACKING (DC CORD)	
20	2B		G53-1662-04	PACKING (RECEPTACLE)	
21	1B		G53-1819-21	PACKING (CHASSIS)	
22	2A		G53-1820-03	PACKING (PANEL)	
23	3A	*	G53-1858-03	PACKING (SP)	
25	1C,1D		H12-3178-05	PACKING FIXTURE	K1,K2
26	2D	*	H52-2310-22	ITEM CARTON CASE	K1,K2
28	3D		J19-1584-15	HOLDER (MIC)	K1,K2
29	3A	*	J19-5542-02	HOLDER (SP)	
30	1C		J29-0726-03	BRACKET ACCESSORY	
32	3A	*	K29-9479-01	KEY TOP	
A	1A,1B		N35-2604-43	BINDING HEAD MACHINE SCREW	
B	1A,1B,2B		N67-3008-48	PAN HEAD SEMS SCREW	
C	2B		N87-2608-48	BRAZIER HEAD TAPTITE SCREW	
34	3D		N99-2039-05	SCREW SET ACCESSORY	
36	3A		T07-0785-15	SPEAKER	
37	2C		T91-0624-65	MICROPHONE ACCESSORY	K1
38	2C		T91-0639-55	MICROPHONE ACCESSORY	K2
<b>DISPLAY UNIT (X54-3740-20)</b>					
101	2A	*	B11-1885-03	ILLUMINATION GUIDE	
102	2A	*	B38-0936-05	LCD	
D5-9			B30-2337-05	LED (YELLOW)	
D11-21			B30-2337-05	LED (YELLOW)	
D22	3A		B30-2321-05	LED (BLUE)	
D23	3A		B30-2151-05	LED (RED/GRN)	
D24			B30-2337-05	LED (YELLOW)	
C1			CC73HCH1H101J	CHIP C 100PF J	
C2,3			CK73HB1H221K	CHIP C 220PF K	
C4			CC73HCH1H101J	CHIP C 100PF J	
C5			CK73HB1H221K	CHIP C 220PF K	

Ref. No.	Address	New parts	Parts No.	Description	Desti-nation
C6			CK73HB1H471K	CHIP C 470PF K	
C7			CK73HB1H102K	CHIP C 1000PF K	
C8			CK73HB1H221K	CHIP C 220PF K	
C9			CK73HB1H471K	CHIP C 470PF K	
C10			CK73HB1H102K	CHIP C 1000PF K	
C11			CK73HB1H221K	CHIP C 220PF K	
C12			CC73HCH1H101J	CHIP C 100PF J	
C13			CK73HB1E103K	CHIP C 0.010UF K	
C14,15			CK73HB1H102K	CHIP C 1000PF K	
C20			CC73HCH1H101J	CHIP C 100PF J	
C21			CK73HB1E103K	CHIP C 0.010UF K	
C22			CK73HB1H221K	CHIP C 220PF K	
C23			CK73HB1H102K	CHIP C 1000PF K	
C24			CK73HB1E103K	CHIP C 0.010UF K	
C25,26			CK73HB1H471K	CHIP C 470PF K	
C27,28			CK73HB1A105K	CHIP C 1.0UF K	
C29-31			CK73HB1H102K	CHIP C 1000PF K	
C32,33			CK73HB1C473K	CHIP C 0.047UF K	
103	2A	*	E29-1231-15	INTER CONNECTOR (LCD)	
CN1			E40-6851-05	FLAT CABLE CONNECTOR (30P)	
J1	3A		E58-0535-05	MODULAR JACK (MIC)	
104	2A	*	J21-8629-03	MOUNTING HARDWARE (LCD)	
L1			L92-0138-05	CHIP FERRITE	
CP1			RK74HB1J102J	CHIP-COM 1.0K J 1/16W	
R1			RK73HB1J100J	CHIP R 10 J 1/16W	
R2-4			RK73HB1J103J	CHIP R 10K J 1/16W	
R5			RK73HB1J102J	CHIP R 1.0K J 1/16W	
R6			RK73HB1J150J	CHIP R 15 J 1/16W	
R7			RK73HB1J000J	CHIP R 0.0 J 1/16W	
R8			RK73FB2B100J	CHIP R 10 J 1/8W	
R9			RK73HB1J000J	CHIP R 0.0 J 1/16W	
R12			RK73HB1J101J	CHIP R 100 J 1/16W	
R14			RK73HB1J122J	CHIP R 1.2K J 1/16W	
R15			RK73HB1J000J	CHIP R 0.0 J 1/16W	
R17			RK73HB1J000J	CHIP R 0.0 J 1/16W	
R18			RK73HB1J181J	CHIP R 180 J 1/16W	
R19			RK73HB1J820J	CHIP R 82 J 1/16W	
R20			RK73HB1J000J	CHIP R 0.0 J 1/16W	
R22			RK73HB1J000J	CHIP R 0.0 J 1/16W	
R23			RK73HB1J473J	CHIP R 47K J 1/16W	
R24,25			RK73HB1J103J	CHIP R 10K J 1/16W	
R26			RK73HB1J123J	CHIP R 12K J 1/16W	
R27			RK73HB1J473J	CHIP R 47K J 1/16W	
R28,29			RK73HB1J151J	CHIP R 150 J 1/16W	
R30,31			RK73HB1J121J	CHIP R 120 J 1/16W	
R32			RK73HB1J103J	CHIP R 10K J 1/16W	
R33			RK73HB1J000J	CHIP R 0.0 J 1/16W	
R34-37			RK73HB1J151J	CHIP R 150 J 1/16W	
D1			UDZW6.2(B)	ZENER DIODE	
D2			DA221	DIODE	
D10			MC2850	DIODE	
IC1		*	LC75857W-E	MOS-IC	
Q2,3			RT1N141U-T111	TRANSISTOR	

## PARTS LIST

DISPLAY UNIT (X54-3740-20)

TX-RX UNIT (X57-8020-XX)

Ref. No.	Address	New parts	Parts No.	Description	Desti-nation	Ref. No.	Address	New parts	Parts No.	Description	Desti-nation
Q4,5			RT1P141U-T111	TRANSISTOR		C82			CC73HCH1HR75B	CHIP C	0.75PF B
Q6			RT1N141U-T111	TRANSISTOR		C83,84			CK73HB1H102K	CHIP C	1000PF K
Q7			KRA225S	TRANSISTOR		C85,86			CK73GB1H102K	CHIP C	1000PF K
Q8		*	RT1N141C-T112	TRANSISTOR		C87,88			CC73HCH1H040B	CHIP C	4.0PF B
Q9			RN47A4-F	TRANSISTOR		C89,90			CK73GB1H102K	CHIP C	1000PF K
Q10			2SB1132(Q,R)	TRANSISTOR		C91			CC73HCH1H060B	CHIP C	6.0PF B
						C92			CC73HCH1H080B	CHIP C	8.0PF B
						C93			CC73HCH1H3R5B	CHIP C	3.5PF B
						C94			CC73HCH1H060B	CHIP C	6.0PF B
						C95			CK73HB1H471K	CHIP C	470PF K
<b>TX-RX UNIT (X57-8020-XX) -10: K1,K2,M1 -21: M,M2</b>											
C1			CK73HB1H471K	CHIP C	470PF K	C96,97			CC73HCH1H010B	CHIP C	1.0PF B
C2			CC73HCH1H101J	CHIP C	100PF J	C98			CS77BB21C100M	CHIP TNL	10UF 16WV
C5,6			CC73HCH1H101J	CHIP C	100PF J	C99			CK73HB1H102K	CHIP C	1000PF K
C7			CK73HB1H102K	CHIP C	1000PF K	C100			CK73HB1H471K	CHIP C	470PF K
C8,9			CK73HB1A104K	CHIP C	0.10UF K	C101			CK73HB1H102K	CHIP C	1000PF K
C10			CK73HB1H102K	CHIP C	1000PF K	C102			CC73HCH1H180J	CHIP C	18PF J
C11			CC73GCH1H101J	CHIP C	100PF J	C103			CC73HCH1H050B	CHIP C	5.0PF B
C12			CC73HCH1H200J	CHIP C	20PF J	C104			CC73GCH1H050B	CHIP C	5.0PF B
C14			CC73HCH1H101J	CHIP C	100PF J	C105-107			CK73HB1H102K	CHIP C	1000PF K
C16			CC73HCH1H101J	CHIP C	100PF J	C108			CC73HCH1H120J	CHIP C	12PF J
C17			CC73HCH1H080B	CHIP C	8.0PF B	C109			CK73HB1H102K	CHIP C	1000PF K
C19			CK73FB0J106K	CHIP C	10UF K	C110			CC73GCH1H180J	CHIP C	18PF J
C21			CK73HB1A104K	CHIP C	0.10UF K	C111			CK73HB1E103K	CHIP C	0.010UF K
C22			CK73HB0J105K	CHIP C	1.0UF K	C112			CK73HB1H471K	CHIP C	470PF K
C23,24			CK73HB1A104K	CHIP C	0.10UF K	C113			CK73HB1H102K	CHIP C	1000PF K
C25			CK73FB0J106K	CHIP C	10UF K	C114			CK73FB0J226M	CHIP C	22UF M
C27			CK73HB1A104K	CHIP C	0.10UF K	C300			CC73GCH1H151J	CHIP C	150PF J
C28			CK73FB0J106K	CHIP C	10UF K	C301			CC73HCH1H080B	CHIP C	8.0PF B
C29			CK73HB1H471K	CHIP C	470PF K	C302			CC73HCH1H070B	CHIP C	7.0PF B
C30			CK73HB1E103K	CHIP C	0.010UF K	C303			CK73HB1H471K	CHIP C	470PF K
C31			CK73HB1A104K	CHIP C	0.10UF K	C304			CC73HCH1H120J	CHIP C	12PF J
C32,33			CK73HB1H102K	CHIP C	1000PF K	C305			CK73HB1H102K	CHIP C	1000PF K
C36			CK73HB1H471K	CHIP C	470PF K	C308			CC73HCH1H130J	CHIP C	13PF J
C37			CC73HCH1H040B	CHIP C	4.0PF B	C309			CK73HB1H102K	CHIP C	1000PF K
C40			CC73HCH1H060B	CHIP C	6.0PF B	C310			CC73HCH1H2R5B	CHIP C	2.5PF B
C41			CC73HCH1H3R5B	CHIP C	3.5PF B	C311			CK73HB1E223K	CHIP C	0.022UF K
C42			CS77CA1V0R1M	CHIP TNL	0.1UF 35WV	C312			CC73GCH1H151J	CHIP C	150PF J
C43			CK73HB1H471K	CHIP C	470PF K	C313			CS77BA1C4R7M	CHIP TNL	4.7UF 16WV
C45			CC73HCH1H390J	CHIP C	39PF J	C314			CK73GB1H102K	CHIP C	1000PF K
C46			CC73HCH1H470J	CHIP C	47PF J	C319			CK73HB1H471K	CHIP C	470PF K
C47			CK73HB1H471K	CHIP C	470PF K	C321			CC73HCH1H101J	CHIP C	100PF J
C48			CS77BA1E010M	CHIP TNL	1.0UF 25WV	C322			CK73GB1H221K	CHIP C	220PF K
C49			CC73HCH1H270J	CHIP C	27PF J	C324			CC73GCH1H220J	CHIP C	22PF J
C50			CC73GCH1H080B	CHIP C	8.0PF B	C325			CK73GB1H102K	CHIP C	1000PF K
C51			CC73HCH1H390J	CHIP C	39PF J	C326,327			CC73GCH1H101J	CHIP C	100PF J
C52			CC73HCH1H330J	CHIP C	33PF J	C328			CK73HB1A104K	CHIP C	0.10UF K
C55			CK73HB1H102K	CHIP C	1000PF K	C330			CK73GB1H102K	CHIP C	1000PF K
C56			CC73HCH1H060B	CHIP C	6.0PF B	C332			CK73GB1H471K	CHIP C	470PF K
C57			C92-0863-05	CHIP TNL	0.047UF 35WV	C333			CC73GCH1H470J	CHIP C	47PF J
C59			CK73HB1H102K	CHIP C	1000PF K	C334			CC73GCH1H220J	CHIP C	22PF J
C63			C93-0787-05	CHIP C	0.1UF J	C335			C93-0559-05	CHIP C	9.0PF D
C65			CK73HB1A104K	CHIP C	0.10UF K	C335			C93-0561-05	CHIP C	12PF J
C68			CC73HCH1H470J	CHIP C	47PF J	C338			CK73HB1A104K	CHIP C	0.10UF K
C70			CC73HCH1H101J	CHIP C	100PF J	C339			CK73GB1H102K	CHIP C	1000PF K
C72			CK73HB1H102K	CHIP C	1000PF K	C342			CK73HB1H102K	CHIP C	1000PF K
C74			CK73HB1H102K	CHIP C	1000PF K	C343			CK73GB1H102K	CHIP C	1000PF K
C75			CK73FB0J106K	CHIP C	10UF K	C345			CK73GB1H103K	CHIP C	0.010UF K
C77			CC73HCH1H101J	CHIP C	100PF J	C346,347			CK73HB1H102K	CHIP C	1000PF K
C79			CC73HCH1H330J	CHIP C	33PF J	C348			CK73GB1H103K	CHIP C	0.010UF K
C80			CC73HCH1H101J	CHIP C	100PF J	C349			CK73HB1H102K	CHIP C	1000PF K

K1: TK-7360H K K2: TK-7360H(V) K

M: TK-7360 M M1: TK-7360H M M2: TK-7360 M2

## PARTS LIST

## TX-RX UNIT (X57-8020-XX)

Ref. No.	Address	New parts	Parts No.	Description	Destination	Ref. No.	Address	New parts	Parts No.	Description	Destination
C350			CC73GCH1H050B	CHIP C 5.0PF B		C518			CK73HB1E103K	CHIP C 0.010UF K	
C351			C93-0561-05	CHIP C 12PF J	M1,K1,K2	C519			CK73HB1H331K	CHIP C 330PF K	
C351			C93-0562-05	CHIP C 15PF J	M,M2	C520			CK73FB0J106K	CHIP C 10UF K	
C352,353			C93-0603-05	CHIP C 1000PF K		C521			CK73HB1H331K	CHIP C 330PF K	
C354			CC73GCH1H020B	CHIP C 2.0PF B	M1,K1,K2	C522,523			CK73HB1A104K	CHIP C 0.10UF K	
C354			CC73GCH1H080B	CHIP C 8.0PF B	M,M2	C524			CK73GB1C104K	CHIP C 0.10UF K	
C355			CC73GCH1H430J	CHIP C 43PF J		C525			CK73HB1H102K	CHIP C 1000PF K	
C356			C93-0562-05	CHIP C 15PF J		C527			CK73HB1E562K	CHIP C 5600PF K	
C357			C93-0552-05	CHIP C 2.0PF C		C528			CC73HCH1H820J	CHIP C 82PF J	
C358			CM73F2H180J	CHIP C 18PF J	M,M2	C529			CC73HCH1H100C	CHIP C 10PF C	
C358			CM73F2H200J	CHIP C 20PF J	M1,K1,K2	C530			CK73HB1E103K	CHIP C 0.010UF K	
C359			C93-0552-05	CHIP C 2.0PF C		C531			CK73HB1A104K	CHIP C 0.10UF K	
C361			C93-0554-05	CHIP C 4.0PF C		C532			CK73HB1H471K	CHIP C 470PF K	
C363			C93-0562-05	CHIP C 15PF J		C533			CK73HB1A104K	CHIP C 0.10UF K	
C364			CK73GB1H102K	CHIP C 1000PF K		C535			CK73HB1H102K	CHIP C 1000PF K	
C366			CK73GB1H102K	CHIP C 1000PF K		C537			CK73HB1A104K	CHIP C 0.10UF K	
C367			CK73HB1H102K	CHIP C 1000PF K		C538			CK73HB1H102K	CHIP C 1000PF K	
C401			CK73HB1A104K	CHIP C 0.10UF K		C540			CK73HB1H102K	CHIP C 1000PF K	
C402			CK73HB1E103K	CHIP C 0.010UF K		C541,542			CK73HB1E103K	CHIP C 0.010UF K	
C404			CS77BB21C220M	CHIP TNTL 22UF 16WV		C543			CK73HB1E223K	CHIP C 0.022UF K	
C406			CS77BB21C220M	CHIP TNTL 22UF 16WV		C544			CC73HCH1H010B	CHIP C 1.0PF B	
C407			CK73HB1A104K	CHIP C 0.10UF K		C545			CC73HCH1H180J	CHIP C 18PF J	
C410-412			CK73HB1A104K	CHIP C 0.10UF K		C546			CC73HCH1H150J	CHIP C 15PF J	
C414			CK73HB0J105K	CHIP C 1.0UF K		C549			CK73HB0J224K	CHIP C 0.22UF K	
C415			CK73GB1H102K	CHIP C 1000PF K		C550			CK73HB1A104K	CHIP C 0.10UF K	
C416,417			CK73HB1H102K	CHIP C 1000PF K		C551			CK73HB1E103K	CHIP C 0.010UF K	
C418			CK73GB1A105K	CHIP C 1.0UF K		C552			CK73HB1H102K	CHIP C 1000PF K	
C419			CK73GB1H102K	CHIP C 1000PF K		C553			CC73HCH1H150G	CHIP C 15PF G	
C420			CS77BA1A100M	CHIP TNTL 10UF 10WV		C554			CC73HCH1H070B	CHIP C 7.0PF B	
C421			CK73HB1H102K	CHIP C 1000PF K		C555			CK73HB1E103K	CHIP C 0.010UF K	
C422			CK73HB1E103K	CHIP C 0.010UF K		C556			CK73HB1H102K	CHIP C 1000PF K	
C423,424			CK73GB1H102K	CHIP C 1000PF K		C557			CK73GB1H471K	CHIP C 470PF K	
C425			CK73HB1E103K	CHIP C 0.010UF K		C558			CK73HB1H102K	CHIP C 1000PF K	
C426			CK73GB1A105K	CHIP C 1.0UF K		C559			CK73HB1E103K	CHIP C 0.010UF K	
C427			CK73HB1H102K	CHIP C 1000PF K		C560			CK73HB1H102K	CHIP C 1000PF K	
C428			CK73FB1E225K	CHIP C 2.2UF K		C561			CC73HCH1H220J	CHIP C 22PF J	
C429			CK73EB1E106K	CHIP C 10UF K		C562			CK73HB1H102K	CHIP C 1000PF K	
C430			CK73HB1H102K	CHIP C 1000PF K		C563			CK73HB1H471K	CHIP C 470PF K	
C433			CK73HB1A104K	CHIP C 0.10UF K		C570			CC73HCH1H010B	CHIP C 1.0PF B	
C434			CK73GB1H102K	CHIP C 1000PF K		C571			CC73HCH1H560J	CHIP C 56PF J	
C435			CK73GB1H221K	CHIP C 220PF K		C572			CC73HCH1H040B	CHIP C 4.0PF B	
C436			CK73GB1H471K	CHIP C 470PF K		C573			CK73HB1H102K	CHIP C 1000PF K	
C437			CC73GCH1H220J	CHIP C 22PF J		C574			CC73HCH1H010B	CHIP C 1.0PF B	
C438			CK73GB1H102K	CHIP C 1000PF K		C575			CC73HCH1H560J	CHIP C 56PF J	
C439			CC73GCH1H470J	CHIP C 47PF J		C578			CC73HCH1H1R5B	CHIP C 1.5PF B	
C443			CK73GB1H102K	CHIP C 1000PF K		C579			CK73HB1H102K	CHIP C 1000PF K	
C444			CK73HB1A334K	CHIP C 0.33UF K		C580			CK73HB1H471K	CHIP C 470PF K	
C446			CK73GB1H471K	CHIP C 470PF K		C582			CK73HB1A104K	CHIP C 0.10UF K	
C447			CK73GB1H221K	CHIP C 220PF K		C583			CK73HB1H102K	CHIP C 1000PF K	
C448			CK73GB1H102K	CHIP C 1000PF K		C585			CK73HB1H102K	CHIP C 1000PF K	
C449			CK73HB1H102K	CHIP C 1000PF K		C586			CK73HB1H471K	CHIP C 470PF K	
C500			CC73HCH1H470J	CHIP C 47PF J		C587			CK73HB1H102K	CHIP C 1000PF K	
C502			CC73HCH1H101J	CHIP C 100PF J		C588,589			CK73HB1H471K	CHIP C 470PF K	
C504			CK73HB1E103K	CHIP C 0.010UF K		C590			CC73HCH1H020B	CHIP C 2.0PF B	
C505			CC73HCH1H470J	CHIP C 47PF J		C591			CC73GCH1H471J	CHIP C 470PF J	
C506			CC73HCH1H160J	CHIP C 16PF J		C592			CC73HCH1H560J	CHIP C 56PF J	
C508			CC73HCH1H270J	CHIP C 27PF J		C593			CC73HCH1H030B	CHIP C 3.0PF B	
C509			CK73HB1E103K	CHIP C 0.010UF K		C594			CK73HB1H102K	CHIP C 1000PF K	
C510-515			CK73HB1A104K	CHIP C 0.10UF K		C595			CC73HCH1H030B	CHIP C 3.0PF B	
C517			CK73HB1H102K	CHIP C 1000PF K		C596			CC73HCH1H560J	CHIP C 56PF J	

## PARTS LIST

TX-RX UNIT (X57-8020-XX)

Ref. No.	Address	New parts	Parts No.	Description	Desti-nation	Ref. No.	Address	New parts	Parts No.	Description	Desti-nation
C597			CC73HCH1H020B	CHIP C 2.0PF B		C785			CK73HB1C333K	CHIP C 0.033UF K	
C598			CC73GCH1H240J	CHIP C 24PF J		C786			CC73HCH1H121J	CHIP C 120PF J	
C600			CC73HCH1H040B	CHIP C 4.0PF B		C788			CK73HB1H102K	CHIP C 1000PF K	
C601			CC73HCH1H070B	CHIP C 7.0PF B		C790			CK73GB0J106K	CHIP C 10UF K	
C602			CC73HCH1H180J	CHIP C 18PF J		C791			CK73HB1A104K	CHIP C 0.10UF K	
C605			CC73HCH1H080B	CHIP C 8.0PF B		C792			CC73HCH1H391J	CHIP C 390PF J	
C606			CC73HCH1H120J	CHIP C 12PF J		C793			CK73HB1H471K	CHIP C 470PF K	
C607			CK73HB1H471K	CHIP C 470PF K		C794			CK73HB1A104K	CHIP C 0.10UF K	
C700			CC73HCH1H101J	CHIP C 100PF J		C795			CK73HB0J105K	CHIP C 1.0UF K	
C701			CK73HB1H102K	CHIP C 1000PF K		C796			CK73HB1E103K	CHIP C 0.010UF K	
C702			CK73HB1H471K	CHIP C 470PF K		C797			CK73HB1A104K	CHIP C 0.10UF K	
C703,704			CK73HB1H102K	CHIP C 1000PF K		C799-801			CK73HB1A104K	CHIP C 0.10UF K	
C705			CK73HB1H471K	CHIP C 470PF K		C802			CK73HB1E103K	CHIP C 0.010UF K	
C706			CK73HB1H102K	CHIP C 1000PF K		C803			CK73HB0J105K	CHIP C 1.0UF K	
C707,708			CK73HB1H471K	CHIP C 470PF K		C804			CK73GB0J106K	CHIP C 10UF K	
C709			CK73HB1H102K	CHIP C 1000PF K		C807			CK73GB1C104K	CHIP C 0.10UF K	
C710			CK73HB1H471K	CHIP C 470PF K		C808			CK73GB1H471K	CHIP C 470PF K	
C712			CK73HB1H471K	CHIP C 470PF K		C809			CK73HB0J105K	CHIP C 1.0UF K	
C714			CK73HB1H471K	CHIP C 470PF K		C810			CC73HCH1H101J	CHIP C 100PF J	
C716-718			CK73HB1H471K	CHIP C 470PF K		C811			CK73FB0J106K	CHIP C 10UF K	
C720			CK73HB1H471K	CHIP C 470PF K		C812			CK73HB0J105K	CHIP C 1.0UF K	
C722-724			CK73HB1H471K	CHIP C 470PF K		C813			CC73HCH1H101J	CHIP C 100PF J	
C726			CK73HB1H471K	CHIP C 470PF K		C814			CK73HB0J105K	CHIP C 1.0UF K	
C728			CK73HB1H471K	CHIP C 470PF K		C815			CC73HCH1H151J	CHIP C 150PF J	
C730			CK73HB1H471K	CHIP C 470PF K		C816			CK73HB0J105K	CHIP C 1.0UF K	
C732			CK73HB1H471K	CHIP C 470PF K		C818			CK73FB0J106K	CHIP C 10UF K	
C734			CK73HB1H471K	CHIP C 470PF K		C819			CK73HB1E103K	CHIP C 0.010UF K	
C735			CK73HB1H221K	CHIP C 220PF K		C820			CK73GB1H104K	CHIP C 0.10UF K	
C736			CK73HB1H471K	CHIP C 470PF K		C821			CK73GB0J106K	CHIP C 10UF K	
C738			CK73HB1H471K	CHIP C 470PF K		C822			CK73FB0J226M	CHIP C 22UF M	
C739			CC73HCH1H101J	CHIP C 100PF J		C823			CK73GB1A105K	CHIP C 1.0UF K	
C740			CK73HB1H471K	CHIP C 470PF K		C824			CK73HB1H102K	CHIP C 1000PF K	
C742,743			CC73HCH1H470J	CHIP C 47PF J		C826			CK73HB1A683K	CHIP C 0.068UF K	
C744			CK73HB1H471K	CHIP C 470PF K		C829			CK73HB1H682K	CHIP C 6800PF K	
C745			CC73HCH1H470J	CHIP C 47PF J		C832			CK73GB1H102K	CHIP C 1000PF K	
C746			CK73HB1H471K	CHIP C 470PF K		C834			CK73HB1H332K	CHIP C 3300PF K	
C747			CK73GB1H102K	CHIP C 1000PF K		C836			CK73HB1E103K	CHIP C 0.010UF K	
C748			CK73GB1A105K	CHIP C 1.0UF K		C838-841			CK73HB1H471K	CHIP C 470PF K	
C749			CK73HB0J105K	CHIP C 1.0UF K		C842			CK73GB1H102K	CHIP C 1000PF K	
C752			CK73HB0J105K	CHIP C 1.0UF K		C843			CK73HB0J105K	CHIP C 1.0UF K	
C754			CK73GB1H102K	CHIP C 1000PF K		C844			CK73HB1H102K	CHIP C 1000PF K	
C755			CK73HB0J105K	CHIP C 1.0UF K		C848			CC73HCH1H180G	CHIP C 18PF G	
C756			CK73GB1C104K	CHIP C 0.10UF K		C849			CC73HCH1H0R3B	CHIP C 0.3PF B	
C758			CK73HB1A104K	CHIP C 0.10UF K		C851			CC73HCH1H180G	CHIP C 18PF G	
C761			CK73HB1H471K	CHIP C 470PF K		C852			CK73HB1H102K	CHIP C 1000PF K	
C762,763			CK73GB1E105K	CHIP C 1.0UF K		C853			CK73HB1A104K	CHIP C 0.10UF K	
C764			CK73HB1A104K	CHIP C 0.10UF K		C854			CK73GB1C104K	CHIP C 0.10UF K	
C765			CK73FB0J106K	CHIP C 10UF K		C855			CK73GB1H102K	CHIP C 1000PF K	
C766			CK73HB1A104K	CHIP C 0.10UF K		C858-861			CK73HB1H102K	CHIP C 1000PF K	
C767,768			CK73GB1E105K	CHIP C 1.0UF K		C862,863			CK73GB1A105K	CHIP C 1.0UF K	
C769			CK73HB1A104K	CHIP C 0.10UF K		C864,865			CK73HB0J105K	CHIP C 1.0UF K	
C771			CC73HCH1H390J	CHIP C 39PF J		C866			CK73HB1A224K	CHIP C 0.22UF K	
C772			CK73HB1A104K	CHIP C 0.10UF K		C867			CK73GB1C224K	CHIP C 0.22UF K	
C773			CK73HB0J105K	CHIP C 1.0UF K		C869			CK73HB1H102K	CHIP C 1000PF K	
C774,775			CK73HB1A104K	CHIP C 0.10UF K		C871			CS77BA1C4R7M	CHIP TNTL 4.7UF 16WV	
C777			CK73HB1A104K	CHIP C 0.10UF K		C872			C92-0873-05	ELECTRO 47UF 16WV	
C778			CK73HB0J105K	CHIP C 1.0UF K		C873			CE32BD1C471M	CHIP EL 470UF 16WV	
C779			CK73HB1A104K	CHIP C 0.10UF K		C874			CK73HB1H102K	CHIP C 1000PF K	
C780			CK73GB0J475K	CHIP C 4.7UF K		C875			CE32BD1C471M	CHIP EL 470UF 16WV	
C784			CK73HB1A104K	CHIP C 0.10UF K		C876			CC73HCH1H220J	CHIP C 22PF J	

K1: TK-7360H K K2: TK-7360H(V) K

M: TK-7360 M M1: TK-7360H M M2: TK-7360 M2

## PARTS LIST

## TX-RX UNIT (X57-8020-XX)

Ref. No.	Address	New parts	Parts No.	Description	Destination	Ref. No.	Address	New parts	Parts No.	Description	Destination
C877			CC73HCH1H470J	CHIP C 47PF J		L316			L34-4902-05	AIR-CORE COIL (9.5T)	
C880			CC73HCH1H101J	CHIP C 100PF J		L500,501			L40-4781-86	SMALL FIXED INDUCTOR (0.47UH)	
C881			CK73HB1H471K	CHIP C 470PF K		L503			L40-4781-86	SMALL FIXED INDUCTOR (0.47UH)	
C882			CC73HCH1H220J	CHIP C 22PF J		L504			L40-2775-71	SMALL FIXED INDUCTOR (27NH)	
C883			CK73HB1H471K	CHIP C 470PF K		L507			L40-2275-71	SMALL FIXED INDUCTOR (22NH)	
C884			CC73HCH1H220J	CHIP C 22PF J		L509,510			L41-4785-39	SMALL FIXED INDUCTOR (0.47UH)	
C886			CK73HB1A104K	CHIP C 0.10UF K		L513			L41-5678-14	SMALL FIXED INDUCTOR (56NH)	
C887			CK73HB1E103K	CHIP C 0.010UF K		L515			L41-6878-45	SMALL FIXED INDUCTOR (68NH)	
C888,889			CK73HB1H471K	CHIP C 470PF K		L516			L40-2275-92	SMALL FIXED INDUCTOR (22NH)	
C890			CC73HCH1H121J	CHIP C 120PF J		L518,519			L41-5678-14	SMALL FIXED INDUCTOR (56NH)	
C891			CK73HB1A104K	CHIP C 0.10UF K		L521			L40-6875-92	SMALL FIXED INDUCTOR (68NH)	
C893			CK73HB1A104K	CHIP C 0.10UF K		L522			L40-6875-57	SMALL FIXED INDUCTOR (68NH)	
C894			CK73HB1H103K	CHIP C 0.010UF K		L700,701			L92-0163-05	BEADS CORE	
C895			CK73HB1H102K	CHIP C 1000PF K		L702			L92-0443-05	CHIP FERRITE	
C896			CK73HB1E103K	CHIP C 0.010UF K		L704			L92-0443-05	CHIP FERRITE	
C897			CK73HB1H471K	CHIP C 470PF K		L706			L92-0161-05	BEADS CORE	
C900			CC73HCH1H101J	CHIP C 100PF J		L707-712			L92-0163-05	BEADS CORE	
C902			CC73HCH1H101J	CHIP C 100PF J		X1			L77-3055-05	TCXO (19.2MHZ)	
CN700			E40-6361-05	PIN ASSY (26P)		X700			L77-1950-05	CRYSTAL RESONATOR (11.0592MHZ)	
CN701			E40-6847-05	FLAT CABLE CONNECTOR (30P)		XF500			L71-0659-05	MCF (38.85MHZ)	
J700	1B		E58-0536-05	D-SUB SOCKET (ACC)		CP700-703			RK74HA1J102J	CHIP-COM 1.0K J 1/16W	
J701	1B		E11-0425-05	3.5D PHONE JACK (EXT-SP)		CP704			RK74HA1J101J	CHIP-COM 100 J 1/16W	
F400			F53-0327-15	FUSE (4A)		R1			RK73HB1J000J	CHIP R 0.0 J 1/16W	
CD500			L79-1866-05	TUNING COIL (450KHZ)		R3			RK73HB1J100J	CHIP R 10 J 1/16W	
CF500			L72-0993-05	CERAMIC FILTER (450KHZ/WID)		R5			RK73HB1J103J	CHIP R 10K J 1/16W	
CF501			L72-0999-05	CERAMIC FILTER (450KHZ/NAR)		R6-8			RK73HB1J102J	CHIP R 1.0K J 1/16W	
L2			L41-1591-08	SMALL FIXED INDUCTOR (1.5NH)		R9			RK73HB1J000J	CHIP R 0.0 J 1/16W	
L3			L92-0442-05	CHIP FERRITE		R10			RK73HB1J152J	CHIP R 1.5K J 1/16W	
L4			L40-1075-71	SMALL FIXED INDUCTOR (10NH)		R11			RK73HB1J223J	CHIP R 22K J 1/16W	
L5			L40-6875-71	SMALL FIXED INDUCTOR (68NH)		R12			RK73HB1J000J	CHIP R 0.0 J 1/16W	
L6			L40-2275-71	SMALL FIXED INDUCTOR (22NH)		R13			RK73HB1J563J	CHIP R 56K J 1/16W	
L7			L40-2775-71	SMALL FIXED INDUCTOR (27NH)		R14			RK73HB1J000J	CHIP R 0.0 J 1/16W	
L9			L92-0443-05	CHIP FERRITE		R15			RK73HB1J103J	CHIP R 10K J 1/16W	
L10			L40-4791-86	SMALL FIXED INDUCTOR (4.7UH)		R16			RK73HB1J561J	CHIP R 560 J 1/16W	
L12			L40-4791-86	SMALL FIXED INDUCTOR (4.7UH)		R17			RK73HB1J100J	CHIP R 10 J 1/16W	
L15,16			L92-0163-05	BEADS CORE		R19,20			RK73HB1J000J	CHIP R 0.0 J 1/16W	
L17			L40-1891-86	SMALL FIXED INDUCTOR (1.8UH)		R21			RK73HB1J100J	CHIP R 10 J 1/16W	
L20,21			L40-1891-86	SMALL FIXED INDUCTOR (1.8UH)		R22			RK73HB1J102J	CHIP R 1.0K J 1/16W	
L25			L40-1891-86	SMALL FIXED INDUCTOR (1.8UH)		R23			RK73HB1J100J	CHIP R 10 J 1/16W	
L27			L40-1001-86	SMALL FIXED INDUCTOR (10UH)		R24			RK73HB1J273J	CHIP R 27K J 1/16W	
L29			L92-0443-05	CHIP FERRITE		R25			RK73HB1J560J	CHIP R 56 J 1/16W	
L30			L40-1001-86	SMALL FIXED INDUCTOR (10UH)		R26			RK73HB1J000J	CHIP R 0.0 J 1/16W	
L31		*	L41-1588-14	SMALL FIXED INDUCTOR (150NH)		R30			RK73HB1J472J	CHIP R 4.7K J 1/16W	
L32			L41-1288-14	SMALL FIXED INDUCTOR (120NH)		R31			RK73HB1J473J	CHIP R 47K J 1/16W	
L33,34			L40-2702-86	SMALL FIXED INDUCTOR (27UH)		R34			RK73HB1J000J	CHIP R 0.0 J 1/16W	
L38,39			L40-2702-86	SMALL FIXED INDUCTOR (27UH)		R35			RK73HB1J153J	CHIP R 15K J 1/16W	
L40			L92-0443-05	CHIP FERRITE		R36			RK73HB1J102J	CHIP R 1.0K J 1/16W	
L41,42			L40-1085-71	SMALL FIXED INDUCTOR (100NH)		R37,38			RK73HB1J153J	CHIP R 15K J 1/16W	
L300			L40-1575-71	SMALL FIXED INDUCTOR (15NH)		R39			RK73HB1J102J	CHIP R 1.0K J 1/16W	
L301			L40-1075-71	SMALL FIXED INDUCTOR (10NH)		R41			RK73HB1J223J	CHIP R 22K J 1/16W	
L302			L40-1275-92	SMALL FIXED INDUCTOR (12NH)		R42			RK73HB1J222J	CHIP R 2.2K J 1/16W	
L303			L40-8265-92	SMALL FIXED INDUCTOR (8.2NH)		R43			RK73HB1J000J	CHIP R 0.0 J 1/16W	
L304			L40-1285-92	SMALL FIXED INDUCTOR (120NH)		R44			RK73HB1J153J	CHIP R 15K J 1/16W	
L305			L40-4775-92	SMALL FIXED INDUCTOR (47NH)		R45			RK73HB1J102J	CHIP R 1.0K J 1/16W	
L307-309			L92-0179-05	CHIP FERRITE		R47			RK73HB1J000J	CHIP R 0.0 J 1/16W	
L310			L34-4902-05	AIR-CORE COIL (9.5T)		R48			RK73HB1J221J	CHIP R 220 J 1/16W	
L311			L34-1039-05	AIR-CORE COIL (1.5T)		R49			RK73HB1J000J	CHIP R 0.0 J 1/16W	
L313-315			L34-4903-05	AIR-CORE COIL (5T)		R50			RK73HB1J105J	CHIP R 1.0M J 1/16W	
						R51,52			RK73HB1J000J	CHIP R 0.0 J 1/16W	
						R53			RK73FB2B102J	CHIP R 1.0K J 1/8W	

## PARTS LIST

TX-RX UNIT (X57-8020-XX)

Ref. No.	Address	New parts	Parts No.	Description	Desti-nation	Ref. No.	Address	New parts	Parts No.	Description	Desti-nation
R55			RK73HB1J393J	CHIP R 39K J 1/16W		R401			RK73HB1J472J	CHIP R 4.7K J 1/16W	
R56,57			RK73HB1J103J	CHIP R 10K J 1/16W		R402			RK73HB1J152J	CHIP R 1.5K J 1/16W	
R58,59			RK73HB1J000J	CHIP R 0.0 J 1/16W		R403,404			RK73HB1J473J	CHIP R 47K J 1/16W	
R61			RK73HB1J000J	CHIP R 0.0 J 1/16W		R405,406			RK73HB1J104J	CHIP R 100K J 1/16W	
R62			RK73HB1J104J	CHIP R 100K J 1/16W		R407			RK73HB1J102J	CHIP R 1.0K J 1/16W	
R63			RK73HB1J000J	CHIP R 0.0 J 1/16W		R408			RK73GB2A221J	CHIP R 220 J 1/10W	
R64			RK73HB1J393J	CHIP R 39K J 1/16W		R409			RK73GB2A473J	CHIP R 47K J 1/10W	
R65			RK73HB1J104J	CHIP R 100K J 1/16W		R410			RK73GB2A334J	CHIP R 330K J 1/10W	
R66			RK73HB1J473J	CHIP R 47K J 1/16W		R411			RK73HB1J474J	CHIP R 470K J 1/16W	
R67			RN73HH1J101D	CHIP R 100 D 1/16W		R412			RK73HB1J564J	CHIP R 560K J 1/16W	
R68		*	RN73HH1J471D	CHIP R 470 D 1/16W		R413			RK73HB1J000J	CHIP R 0.0 J 1/16W	
R69			RK73GB2A104J	CHIP R 100K J 1/10W		R414			RK73HB1J474J	CHIP R 470K J 1/16W	
R70			RK73HB1J472J	CHIP R 4.7K J 1/16W		R500			RK73HB1J000J	CHIP R 0.0 J 1/16W	
R71			RN73HH1J271D	CHIP R 270 D 1/16W		R502			RK73HB1J824J	CHIP R 820K J 1/16W	
R72			RN73HH1J121D	CHIP R 120 D 1/16W		R503			RK73HB1J101J	CHIP R 100 J 1/16W	
R73			RK73HB1J102J	CHIP R 1.0K J 1/16W		R504-508			RK73HB1J103J	CHIP R 10K J 1/16W	
R74,75			RK73HB1J000J	CHIP R 0.0 J 1/16W		R510			RK73HB1J103J	CHIP R 10K J 1/16W	
R76			RK73HB1J273J	CHIP R 27K J 1/16W		R511			RK73GB2A100J	CHIP R 10 J 1/10W	
R77			RK73HB1J000J	CHIP R 0.0 J 1/16W		R512			RK73HB1J152J	CHIP R 1.5K J 1/16W	
R78			RK73HB1J101J	CHIP R 100 J 1/16W		R513			RK73HB1J563J	CHIP R 56K J 1/16W	
R79			RK73HB1J103J	CHIP R 10K J 1/16W		R515			RK73HB1J274J	CHIP R 270K J 1/16W	
R80			RK73HB1J822J	CHIP R 8.2K J 1/16W		R516			RK73GB2A472J	CHIP R 4.7K J 1/10W	
R81-83			RK73HB1J101J	CHIP R 100 J 1/16W		R518			RK73HB1J000J	CHIP R 0.0 J 1/16W	
R84			RK73HB1J000J	CHIP R 0.0 J 1/16W		R520			RK73HB1J332J	CHIP R 3.3K J 1/16W	
R85			RK73HB1J222J	CHIP R 2.2K J 1/16W		R521			RK73HB1J222J	CHIP R 2.2K J 1/16W	
R86			RK73HB1J472J	CHIP R 4.7K J 1/16W		R522			RK73HB1J103J	CHIP R 10K J 1/16W	
R87			RK73GB2A472J	CHIP R 4.7K J 1/10W		R523			RK73HB1J000J	CHIP R 0.0 J 1/16W	
R88,89			RK73HB1J474J	CHIP R 470K J 1/16W		R524			RK73HB1J103J	CHIP R 10K J 1/16W	
R300			RK73HB1J472J	CHIP R 4.7K J 1/16W		R525			RK73HB1J000J	CHIP R 0.0 J 1/16W	
R301			RK73HB1J273J	CHIP R 27K J 1/16W		R526			RK73HB1J474J	CHIP R 470K J 1/16W	
R302			RK73HB1J103J	CHIP R 10K J 1/16W		R527			RK73HB1J101J	CHIP R 100 J 1/16W	
R309,310			RK73GB2A100J	CHIP R 10 J 1/10W		R528			RK73HB1J224J	CHIP R 220K J 1/16W	
R311			RK73GB2A121J	CHIP R 120 J 1/10W		R529			RK73HB1J000J	CHIP R 0.0 J 1/16W	
R313			RK73HB1J101J	CHIP R 100 J 1/16W		R530			RK73HB1J560J	CHIP R 56 J 1/16W	
R315			RK73GB2A470J	CHIP R 47 J 1/10W		R531			RK73HB1J391J	CHIP R 390 J 1/16W	
R316			RK73HB1J000J	CHIP R 0.0 J 1/16W		R533			RK73HB1J000J	CHIP R 0.0 J 1/16W	
R317			RK73HB1J154J	CHIP R 150K J 1/16W		R534			RK73HB1J331J	CHIP R 330 J 1/16W	
R319,320			RK73HB1J103J	CHIP R 10K J 1/16W		R536			RK73HB1J562J	CHIP R 5.6K J 1/16W	
R321			RK73HB1J000J	CHIP R 0.0 J 1/16W		R537			RK73HB1J223J	CHIP R 22K J 1/16W	
R323			RK73HB1J153J	CHIP R 15K J 1/16W	M,M2	R538			RK73HB1J470J	CHIP R 47 J 1/16W	
R323			RK73HB1J223J	CHIP R 22K J 1/16W	M1,K1,K2	R539			RK73HB1J332J	CHIP R 3.3K J 1/16W	
R324			RK73HB1J000J	CHIP R 0.0 J 1/16W		R540,541			RK73HB1J823J	CHIP R 82K J 1/16W	
R326			RK73HB1J473J	CHIP R 47K J 1/16W		R542			RK73HB1J224J	CHIP R 220K J 1/16W	
R328,329			RK73HB1J000J	CHIP R 0.0 J 1/16W		R543			RK73HB1J684J	CHIP R 680K J 1/16W	
R330,331			RK73HB1J104J	CHIP R 100K J 1/16W		R545			RK73HB1J151J	CHIP R 150 J 1/16W	
R333			RK73HB1J104J	CHIP R 100K J 1/16W		R546			RK73HB1J823J	CHIP R 82K J 1/16W	
R334			RK73GH2A101D	CHIP R 100 D 1/10W		R547			RK73HB1J394J	CHIP R 390K J 1/16W	
R335			RK73GH2A681D	CHIP R 680 D 1/10W		R548			RK73HB1J154J	CHIP R 150K J 1/16W	
R336,337			RK73HB1J104J	CHIP R 100K J 1/16W		R549			RK73HB1J330J	CHIP R 33 J 1/16W	
R340,341			RK73HB1J000J	CHIP R 0.0 J 1/16W		R550,551			RK73HB1J000J	CHIP R 0.0 J 1/16W	
R342			RK73HB1J104J	CHIP R 100K J 1/16W		R553,554			RK73HB1J000J	CHIP R 0.0 J 1/16W	
R343			RK73GH2A680D	CHIP R 68 D 1/10W		R557,558			RK73HB1J104J	CHIP R 100K J 1/16W	
R344			RK73HB1J000J	CHIP R 0.0 J 1/16W		R561			RK73HB1J000J	CHIP R 0.0 J 1/16W	
R345			RK73RB2H101J	CHIP R 100 J 1/2W		R562			RK73HB1J102J	CHIP R 1.0K J 1/16W	
R346			RK73GB2A102J	CHIP R 1.0K J 1/10W		R563			RK73HB1J820J	CHIP R 82 J 1/16W	
R348-351			RK73GB2A000J	CHIP R 0.0 J 1/10W		R564			RK73HB1J000J	CHIP R 0.0 J 1/16W	
R352			RK73GH2A121D	CHIP R 120 D 1/10W		R565			RK73HB1J223J	CHIP R 22K J 1/16W	
R353			RK73GH2A181D	CHIP R 180 D 1/10W		R566			RK73HB1J221J	CHIP R 220 J 1/16W	
R358	2B		R92-1061-05	JUMPER REST 0 OHM		R567			RK73HB1J104J	CHIP R 100K J 1/16W	
R400			RK73HB1J103J	CHIP R 10K J 1/16W		R568			RK73HB1J564J	CHIP R 560K J 1/16W	

K1: TK-7360H K K2: TK-7360H(V) K

M: TK-7360 M M1: TK-7360H M M2: TK-7360 M2

## PARTS LIST

## TX-RX UNIT (X57-8020-XX)

Ref. No.	Address	New parts	Parts No.	Description	Destination	Ref. No.	Address	New parts	Parts No.	Description	Destination
R569			RK73HB1J223J	CHIP R 22K J 1/16W		R782			RK73HB1J104J	CHIP R 100K J 1/16W	
R570			RK73HB1J104J	CHIP R 100K J 1/16W		R785			RK73HB1J000J	CHIP R 0.0 J 1/16W	
R571			RK73HB1J683J	CHIP R 68K J 1/16W		R786			RK73HB1J473J	CHIP R 47K J 1/16W	
R572			RK73HB1J000J	CHIP R 0.0 J 1/16W		R787			RK73HB1J823J	CHIP R 82K J 1/16W	
R573,574			RK73HB1J223J	CHIP R 22K J 1/16W		R788			RK73HB1J000J	CHIP R 0.0 J 1/16W	
R575			RK73HB1J000J	CHIP R 0.0 J 1/16W		R789			RK73HB1J563J	CHIP R 56K J 1/16W	
R576,577			RK73HB1J104J	CHIP R 100K J 1/16W		R790			RK73HB1J000J	CHIP R 0.0 J 1/16W	
R578			RK73FB2B000J	CHIP R 0.0 J 1/8W		R791			RK73HB1J223J	CHIP R 22K J 1/16W	
R582			RK73HB1J151J	CHIP R 150 J 1/16W		R792			RK73HB1J561J	CHIP R 560 J 1/16W	
R583			RK73HB1J390J	CHIP R 39 J 1/16W		R793			RK73HB1J103J	CHIP R 10K J 1/16W	
R584			RK73HB1J151J	CHIP R 150 J 1/16W		R794,795			RK73HB1J102J	CHIP R 1.0K J 1/16W	
R586			RK73HB1J000J	CHIP R 0.0 J 1/16W		R799			RK73HB1J273J	CHIP R 27K J 1/16W	
R700			RK73HB1J223J	CHIP R 22K J 1/16W		R801			RK73HB1J562J	CHIP R 5.6K J 1/16W	
R701			RK73HB1J103J	CHIP R 10K J 1/16W		R802			RK73HB1J000J	CHIP R 0.0 J 1/16W	
R703			RK73HB1J000J	CHIP R 0.0 J 1/16W		R803			RK73HB1J563J	CHIP R 56K J 1/16W	
R707			RK73HB1J102J	CHIP R 1.0K J 1/16W		R804,805			RK73HB1J000J	CHIP R 0.0 J 1/16W	
R708			RK73HB1J101J	CHIP R 100 J 1/16W		R806,807			RK73HB1J104J	CHIP R 100K J 1/16W	
R709			RK73HB1J102J	CHIP R 1.0K J 1/16W		R809,810			RK73HB1J000J	CHIP R 0.0 J 1/16W	
R710,711			RK73HB1J000J	CHIP R 0.0 J 1/16W		R811			RK73HB1J104J	CHIP R 100K J 1/16W	
R713			RK73HB1J000J	CHIP R 0.0 J 1/16W		R813			RK73HB1J104J	CHIP R 100K J 1/16W	
R718			RK73HB1J000J	CHIP R 0.0 J 1/16W		R814			RK73HB1J101J	CHIP R 100 J 1/16W	
R721-723			RK73HB1J000J	CHIP R 0.0 J 1/16W		R815			RK73GB2A000J	CHIP R 0.0 J 1/10W	
R724			RK73GB2A000J	CHIP R 0.0 J 1/10W		R816			RK73HB1J104J	CHIP R 100K J 1/16W	
R725			RK73HB1J000J	CHIP R 0.0 J 1/16W		R817			RK73GB2A104J	CHIP R 100K J 1/10W	
R726			RK73GB2A000J	CHIP R 0.0 J 1/10W		R818			RK73HB1J104J	CHIP R 100K J 1/16W	
R728			RK73HB1J472J	CHIP R 4.7K J 1/16W		R819			RK73HB1J101J	CHIP R 100 J 1/16W	
R730			RK73HB1J681J	CHIP R 680 J 1/16W		R820			RK73HB1J000J	CHIP R 0.0 J 1/16W	
R733			RK73GB2A000J	CHIP R 0.0 J 1/10W		R823			RK73HB1J124J	CHIP R 120K J 1/16W	
R734			RK73HB1J102J	CHIP R 1.0K J 1/16W		R824			RK73HB1J000J	CHIP R 0.0 J 1/16W	
R735			RK73GB2A473J	CHIP R 47K J 1/10W		R825			RK73HB1J104J	CHIP R 100K J 1/16W	
R736			RK73HB1J821J	CHIP R 820 J 1/16W		R826			RK73HB1J101J	CHIP R 100 J 1/16W	
R737			RK73HB1J000J	CHIP R 0.0 J 1/16W		R827			RK73HB1J104J	CHIP R 100K J 1/16W	
R738			RK73GB2A221J	CHIP R 220 J 1/10W		R829			RK73HB1J101J	CHIP R 100 J 1/16W	
R739			RK73HB1J223J	CHIP R 22K J 1/16W		R830			RK73GB2A100J	CHIP R 10 J 1/10W	
R741			RK73HB1J223J	CHIP R 22K J 1/16W		R831			RK73HB1J473J	CHIP R 47K J 1/16W	
R742			RK73HB1J823J	CHIP R 82K J 1/16W		R832			RK73HB1J472J	CHIP R 4.7K J 1/16W	
R743			RK73HB1J561J	CHIP R 560 J 1/16W		R840			RK73HB1J473J	CHIP R 47K J 1/16W	
R744			RK73HB1J102J	CHIP R 1.0K J 1/16W		R841			RK73HB1J000J	CHIP R 0.0 J 1/16W	
R745,746			RK73HB1J000J	CHIP R 0.0 J 1/16W		R842			RK73HB1J103J	CHIP R 10K J 1/16W	
R747			RK73HB1J101J	CHIP R 100 J 1/16W		R843			RK73HB1J393J	CHIP R 39K J 1/16W	
R748			RK73HB1J123J	CHIP R 12K J 1/16W		R845			RK73GB2A000J	CHIP R 0.0 J 1/10W	
R749			RK73HB1J000J	CHIP R 0.0 J 1/16W		R846			RK73HB1J472J	CHIP R 4.7K J 1/16W	
R750			RK73HB1J105J	CHIP R 1.0M J 1/16W		R849			RK73HB1J682J	CHIP R 6.8K J 1/16W	
R751			RK73HB1J000J	CHIP R 0.0 J 1/16W		R850			RK73HB1J102J	CHIP R 1.0K J 1/16W	
R754			RK73HB1J123J	CHIP R 12K J 1/16W		R851			RK73HB1J223J	CHIP R 22K J 1/16W	
R755			RK73HB1J154J	CHIP R 150K J 1/16W		R852			RK73HB1J473J	CHIP R 47K J 1/16W	
R756			RK73HB1J103J	CHIP R 10K J 1/16W		R853			RK73HB1J332J	CHIP R 3.3K J 1/16W	
R757			RK73HB1J222J	CHIP R 2.2K J 1/16W		R854,855			RK73HB1J473J	CHIP R 47K J 1/16W	
R760,761			RK73GB2A000J	CHIP R 0.0 J 1/10W		R856			RK73HB1J222J	CHIP R 2.2K J 1/16W	
R762			RK73HB1J334J	CHIP R 330K J 1/16W		R857,858			RK73HB1J104J	CHIP R 100K J 1/16W	
R763			RK73HB1J154J	CHIP R 150K J 1/16W		R859			RK73HB1J105J	CHIP R 1.0M J 1/16W	
R765			RK73HB1J103J	CHIP R 10K J 1/16W		R860			RK73GB2A102J	CHIP R 1.0K J 1/10W	
R769			RK73HB1J000J	CHIP R 0.0 J 1/16W		R861			RK73HB1J153J	CHIP R 15K J 1/16W	
R772			RK73GB2A000J	CHIP R 0.0 J 1/10W		R863			RK73GB2A472J	CHIP R 4.7K J 1/10W	
R773			RK73HB1J000J	CHIP R 0.0 J 1/16W		R864			RK73HB1J123J	CHIP R 12K J 1/16W	
R774			RK73HB1J561J	CHIP R 560 J 1/16W		R866,867			RK73HB1J102J	CHIP R 1.0K J 1/16W	
R775			RK73HB1J000J	CHIP R 0.0 J 1/16W		R868			RK73HB1J000J	CHIP R 0.0 J 1/16W	
R776			RK73GB2A124J	CHIP R 120K J 1/10W		R869			RK73GH2A134D	CHIP R 130K D 1/10W	
R779,780			RK73HB1J473D	CHIP R 47K D 1/16W		R870			RK73GH2A183D	CHIP R 18K D 1/10W	
R781			RK73HB1J183J	CHIP R 18K J 1/16W		R871			RK73GB2A000J	CHIP R 0.0 J 1/10W	

## PARTS LIST

TX-RX UNIT (X57-8020-XX)

Ref. No.	Address	New parts	Parts No.	Description	Destination	Ref. No.	Address	New parts	Parts No.	Description	Destination
R872-874			RK73HB1J102J	CHIP R 1.0K J 1/16W		D300			UDZW5.1(B)	ZENER DIODE	
R875			RK73GB2A000J	CHIP R 0.0 J 1/10W		D301			1SS355	DIODE	
R876-878			RK73HB1J102J	CHIP R 1.0K J 1/16W		D302			HSC277	DIODE	
R879			RK73HB1J000J	CHIP R 0.0 J 1/16W		D303,304			L407CDB	DIODE (50V/1W)	
R880			RK73HB1J154J	CHIP R 150K J 1/16W		D305,306			HSB88AS-E	DIODE	
R881			RK73HB1J000J	CHIP R 0.0 J 1/16W		D307,308		*	RKP350KV	DIODE	
R883			RK73HB1J000J	CHIP R 0.0 J 1/16W		D309,310			UDZW3.3(B)	ZENER DIODE	
R885			RK73HB1J102J	CHIP R 1.0K J 1/16W		D400			Z5W27V	SURGE ABSORBER	
R886			RK73HB1J000J	CHIP R 0.0 J 1/16W		D500,501			MC2858-T111	DIODE	
R887			RK73HB1J102J	CHIP R 1.0K J 1/16W		D502			HSB88AS-E	DIODE	
R888			RK73HB1J000J	CHIP R 0.0 J 1/16W		D504-507			1SV305F	VARIABLE CAPACITANCE DIODE	
R889			RK73HB1J102J	CHIP R 1.0K J 1/16W		D700			DA2S101	DIODE	
R893,894			RK73HB1J000J	CHIP R 0.0 J 1/16W		D701-711			DA221	DIODE	
R895			RK73HB1J102J	CHIP R 1.0K J 1/16W		D712			MC2858-T111	DIODE	
R896			RK73HB1J000J	CHIP R 0.0 J 1/16W		D713			1SS372F	DIODE	
R897,898			RK73HB1J473J	CHIP R 47K J 1/16W		D715			UDZW18(B)	ZENER DIODE	
R899-902			RK73HB1J000J	CHIP R 0.0 J 1/16W		D716			DA2S101	DIODE	
R905			RK73GB2A000J	CHIP R 0.0 J 1/10W		IC1			TC75S51FE(F)	MOS-IC	
R906,907			RK73HB1J473J	CHIP R 47K J 1/16W		IC2			MB15E03SL-E1	MOS-IC	
R908,909			RK73HB1J472J	CHIP R 4.7K J 1/16W		IC3			BD7542FVM	MOS-IC	
R910			RK73HB1J471J	CHIP R 470 J 1/16W		IC300	2B		RA60H1317M1A	POWER MODULE	M1,K1,K2
R911			RK73HB1J152J	CHIP R 1.5K J 1/16W		IC300	2B		S-AV33A	POWER MODULE	M,M2
R912			RK73GB2A102J	CHIP R 1.0K J 1/10W		IC301			HA17358BFEL-E	MOS-IC	
R913			RK73HB1J473J	CHIP R 47K J 1/16W		IC400			TA4809BF	ANALOGUE IC	
R914-917			RK73HB1J000J	CHIP R 0.0 J 1/16W		IC401		*	XC6221B332N-G	MOS-IC	
R918			RK73HB1J223J	CHIP R 22K J 1/16W		IC402			TA7805F-NQ	MOS-IC	
R919			RK73HB1J473J	CHIP R 47K J 1/16W		IC403			BD4740G	MOS-IC	
R920			RK73HB1J472J	CHIP R 4.7K J 1/16W		IC404		*	XC6120N402N-G	MOS-IC	
R921			RK73HB1J473J	CHIP R 47K J 1/16W		IC500		*	UA31136L	MOS-IC	
R923			RK73HB1J472J	CHIP R 4.7K J 1/16W		IC501			HA17358BFEL-E	MOS-IC	
R924,925			RK73HB1J473J	CHIP R 47K J 1/16W		IC700			ADM202EARNZ	MOS-IC	
R927,928			RK73HB1J473J	CHIP R 47K J 1/16W		IC701			NJM2100V-ZB	MOS-IC	
R929,930			RK73HB1J472J	CHIP R 4.7K J 1/16W		IC702			CD686AQ3	MOS-IC	
R931,932			RK73HB1J224J	CHIP R 220K J 1/16W		IC703		*	XC6221B332N-G	MOS-IC	
R933,934			RK73HB1J823J	CHIP R 82K J 1/16W		IC704		*	F3650TDFBKEBA	MCU	
R935,936			RK73HB1J222J	CHIP R 2.2K J 1/16W		IC705			EX25512ATA00A	ROM IC	
R938			RK73HB1J391J	CHIP R 390 J 1/16W		IC706	1A		LA4600	BI-POLAR IC	
R940-942			RK73FB2B000J	CHIP R 0.0 J 1/8W		IC707			TC7S66FUF	MOS-IC	
R943			RK73HB1J104J	CHIP R 100K J 1/16W		IC708			TC4W53FU-F	MOS-IC	
R944			RK73HB1J473J	CHIP R 47K J 1/16W		IC709			NJM2746RB1-ZB	ANALOGUE IC	
R945			RK73HB1J103J	CHIP R 10K J 1/16W		IC710			TC7W53FK(F)	MOS-IC	
R947			RK73HB1J103J	CHIP R 10K J 1/16W		Q1			KTC4075E(Y,GR)	TRANSISTOR	
R948			RK73HB1J684J	CHIP R 680K J 1/16W		Q2			RT1N141U-T111	TRANSISTOR	
R949			RK73HB1J394J	CHIP R 390K J 1/16W		Q3			2SC5108(YJF)	TRANSISTOR	
R950			RK73HB1J105J	CHIP R 1.0M J 1/16W		Q4			SSM3J05FU-F	FET	
R951			RK73HB1J332J	CHIP R 3.3K J 1/16W		Q5			2SK1830F	FET	
R952			RK73HB1J101J	CHIP R 100 J 1/16W		Q6			MCH3914(7)-H	FET	
R953			RK73HB1J103J	CHIP R 10K J 1/16W		Q7			2SJ347F	FET	
R954			RK73HB1J332J	CHIP R 3.3K J 1/16W		Q8			MCH3914(7)-H	FET	
R955			RK73HB1J472J	CHIP R 4.7K J 1/16W		Q10			KRX102U	TRANSISTOR	
R956,957			RK73HB1J223J	CHIP R 22K J 1/16W		Q11			KTC4075E(Y,GR)	TRANSISTOR	
R960			RK73HB1J000J	CHIP R 0.0 J 1/16W		Q12,13			2SC5108(YJF)	TRANSISTOR	
R962			RK73HB1J823J	CHIP R 82K J 1/16W		Q300			RD00HVS1-T113	FET	
D1			1SS389-F	DIODE		Q400,401			RT1N141U-T111	TRANSISTOR	
D2-4			HSC277	DIODE		Q402,403			2SB1694	TRANSISTOR	
D6-9			HVC376B	VARIABLE CAPACITANCE DIODE		Q404,405			SSM3J05FU-F	FET	
D10-15			1SV325F	VARIABLE CAPACITANCE DIODE		Q406			KTC4075E(Y,GR)	TRANSISTOR	
D16			1SV278F	VARIABLE CAPACITANCE DIODE		Q407			2SJ645	FET	
D17,18			HVC131	DIODE		Q500			2SC5108(YJF)	TRANSISTOR	
						Q502			RT1P441U-T111	TRANSISTOR	

K1: TK-7360H K K2: TK-7360H(V) K  
M: TK-7360 M M1: TK-7360H M M2: TK-7360 M2

If a part reference number is listed in a shaded box, that part does not come with the PCB.

## PARTS LIST

## TX-RX UNIT (X57-8020-XX)

Ref. No.	Address	New parts	Parts No.	Description	Destination	Ref. No.	Address	New parts	Parts No.	Description	Destination
Q503			RT1N441U-T111	TRANSISTOR							
Q504			2SC5108(Y)F	TRANSISTOR							
Q505			2SC2412K	TRANSISTOR							
Q506			KTC4075E(Y,GR)	TRANSISTOR							
Q507			3SK318	FET							
Q508			RT1N141U-T111	TRANSISTOR							
Q511			3SK318	FET							
Q700			2SC4116(Y)F	TRANSISTOR							
Q702			2SJ645	FET							
Q703			2SC4919-S	TRANSISTOR							
Q704			2SK1830F	FET							
Q705			KTC4075E(Y,GR)	TRANSISTOR							
Q708			KTC4075E(Y,GR)	TRANSISTOR							
Q709			SSM3J05FU-F	FET							
Q710			KTC4075E(Y,GR)	TRANSISTOR							
Q712			SSM3J05FU-F	FET							
Q713			2SK1824-A	FET							
Q714			RT1N440M-T111	TRANSISTOR							
Q715			DTC114YEB	TRANSISTOR							
Q716			KTC4075E(Y,GR)	TRANSISTOR							
Q717			RT1N441U-T111	TRANSISTOR							
Q718,719			SSM3K05FU	FET							
Q720			RT1N141U-T111	TRANSISTOR							
TH300-302			B57331V2104J	THERMISTOR							
TH501			NCP18WB473J0S	THERMISTOR (47K)							