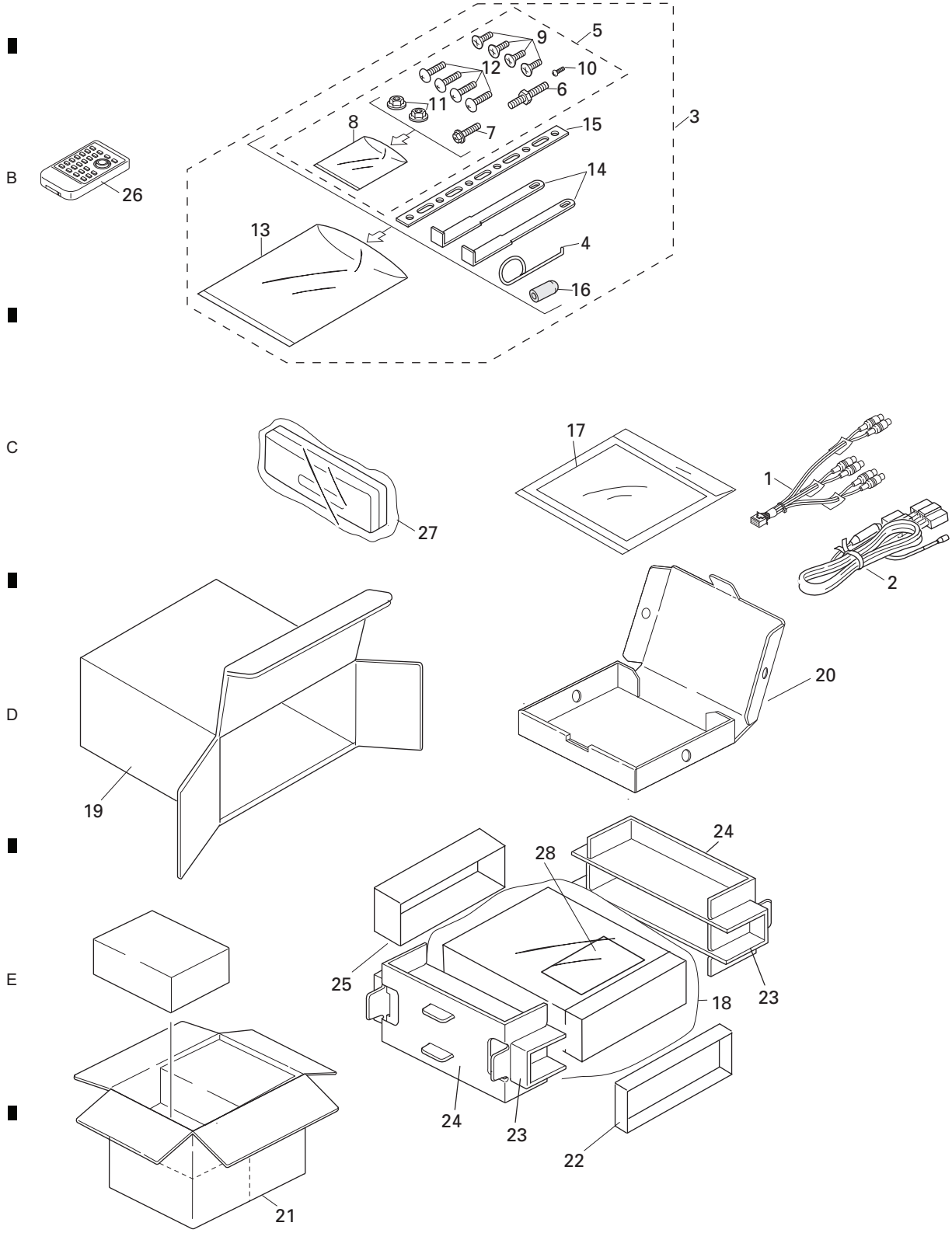


# 2. EXPLODED VIEWS AND PARTS LIST

NOTES : • Parts marked by "\*" are generally unavailable because they are not in our Master Spare Parts List.

- Screw adjacent to ▽ mark on the product are used for disassembly.
- For the applying amount of lubricants or glue, follow the instructions in this manual.  
(In the case of no amount instructions, apply as you think it appropriate.)

## 2.1 PACKING(DEH-P8MP/XN/UC,DEH-P80MP/XN/UC)



**(1) PACKING(DEH-P8MP/XN/UC,DEH-P80MP/XN/UC) SECTION PARTS LIST**

<u>Mark No.</u>	<u>Description</u>	<u>Part No.</u>	<u>Mark No.</u>	<u>Description</u>	<u>Part No.</u>
1	Cord Assy	CDE7612	17-2	Owner's Manual	See Contrast table(2)
2	Cord Assy	CDE7482	17-3	Installation Manual	See Contrast table(2)
3	Accessory Assy	CEA4302	* 17-4	Caution Card	CRP1307
4	Spring	CBH1650	17-5	Caution Card	CRP1310
5	Screw Assy	CEA4303	* 17-6	Warranty Card	See Contrast table(2)
6	Screw	CBA1650	* 17-7	Card	See Contrast table(2)
7	Bolt(M5x16)	CBA1783	18	Polyethylene Bag	CEG1173
* 8	Polyethylene Bag	CEG-127	19	Carton	See Contrast table(2)
9	Screw	CRZ50P090FTC	20	Sub Carton	CHA3258
10	Screw	JPZ20P060FZK	21	Contain Box	See Contrast table(2)
11	Nut	NF50FTC	22	Protector	CHP2546
12	Screw	TRZ50P080FTC	23	Protector	CHP2539
* 13	Polyethylene Bag	CEG-158	24	Protector	CHP2538
14	Handle	CNC5395	25	Protector	CHP2541
15	Strap	CNC5402	26	Remote Control Unit	CXC2665
16	Bush	CNV3930	27	Case Assy	CXC3572
17-1	Polyethylene Bag	CEG1116	* 28	Caution Card	CRP1311

**(2) CONTRAST TABLE**

DEH-P8MP/XN/UC and DEH-P80MP/XN/UC are constructed the same except for the following:

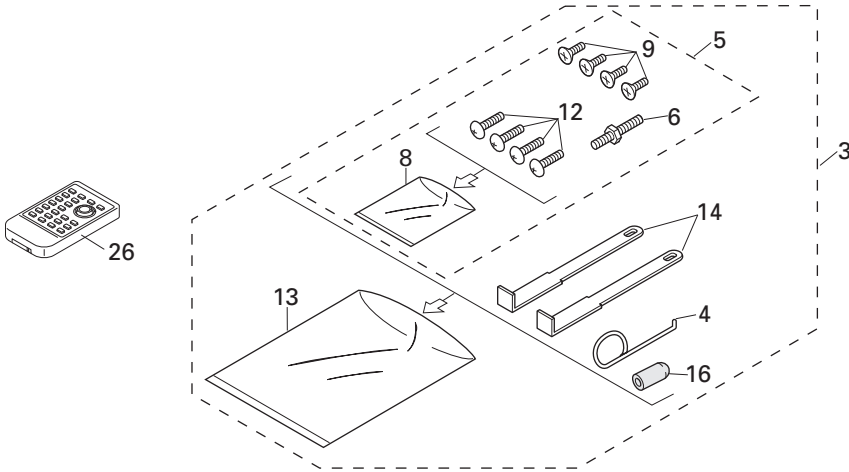
<u>Mark</u>	<u>NO</u>	<u>Description</u>	<u>DEH-P8MP/XN/UC</u>	<u>DEH-P80MP/XN/UC</u>
	17-2	Owner's Manual	CRD3844	CRD3846
	17-3	Installation Manual	CRD3845	CRD3847
*	17-6	Warranty Card	CRY1070	Not used
*	17-7	Card	Not used	ARY1048
	19	Carton	CHG5212	CHG5211
	21	Contain Box	CHL5212	CHL5211

**Owner's Manual,Installation Manual**

<u>Part No.</u>	<u>Language</u>
CRD3844	English, French
CRD3845	English, French
CRD3846	English, French
CRD3847	English, French

## 2.2 PACKING(DEH-P1Y/XN/ES)

A



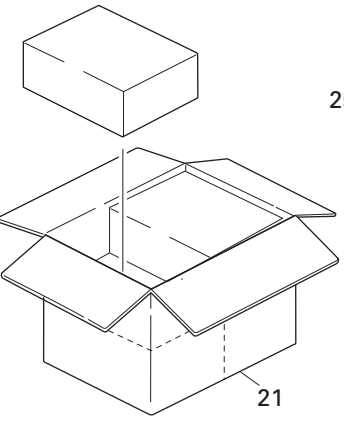
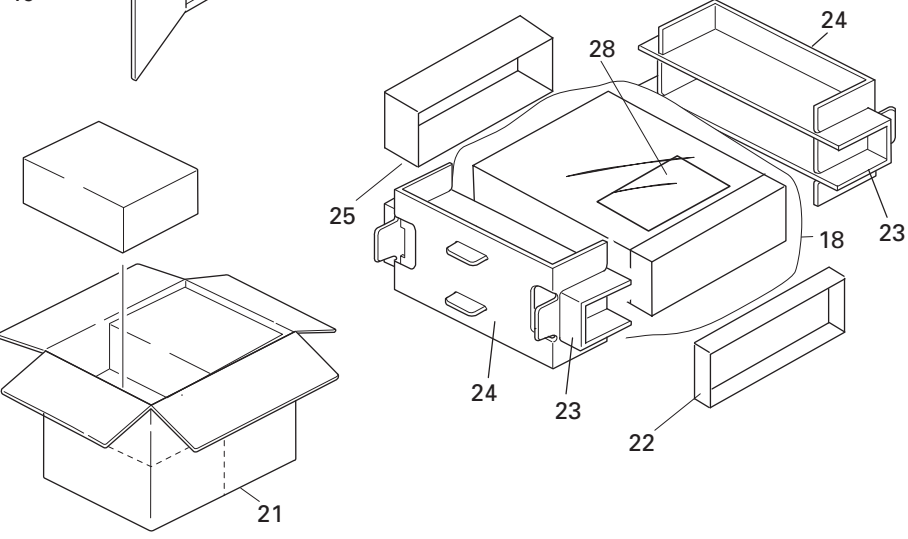
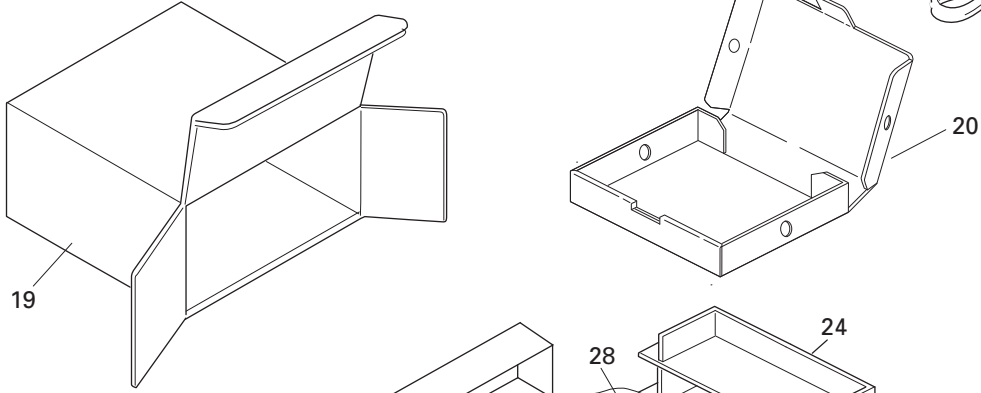
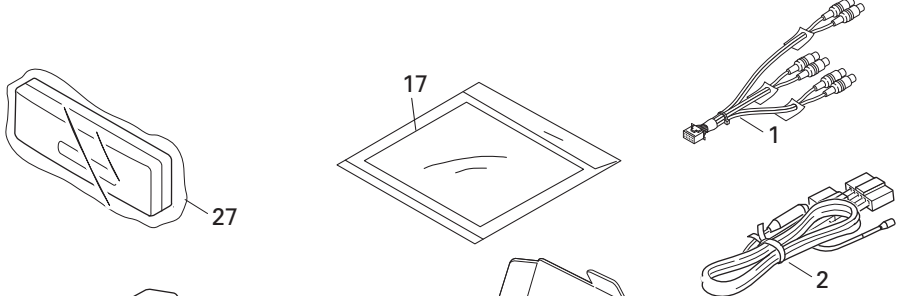
B

C

D

E

F



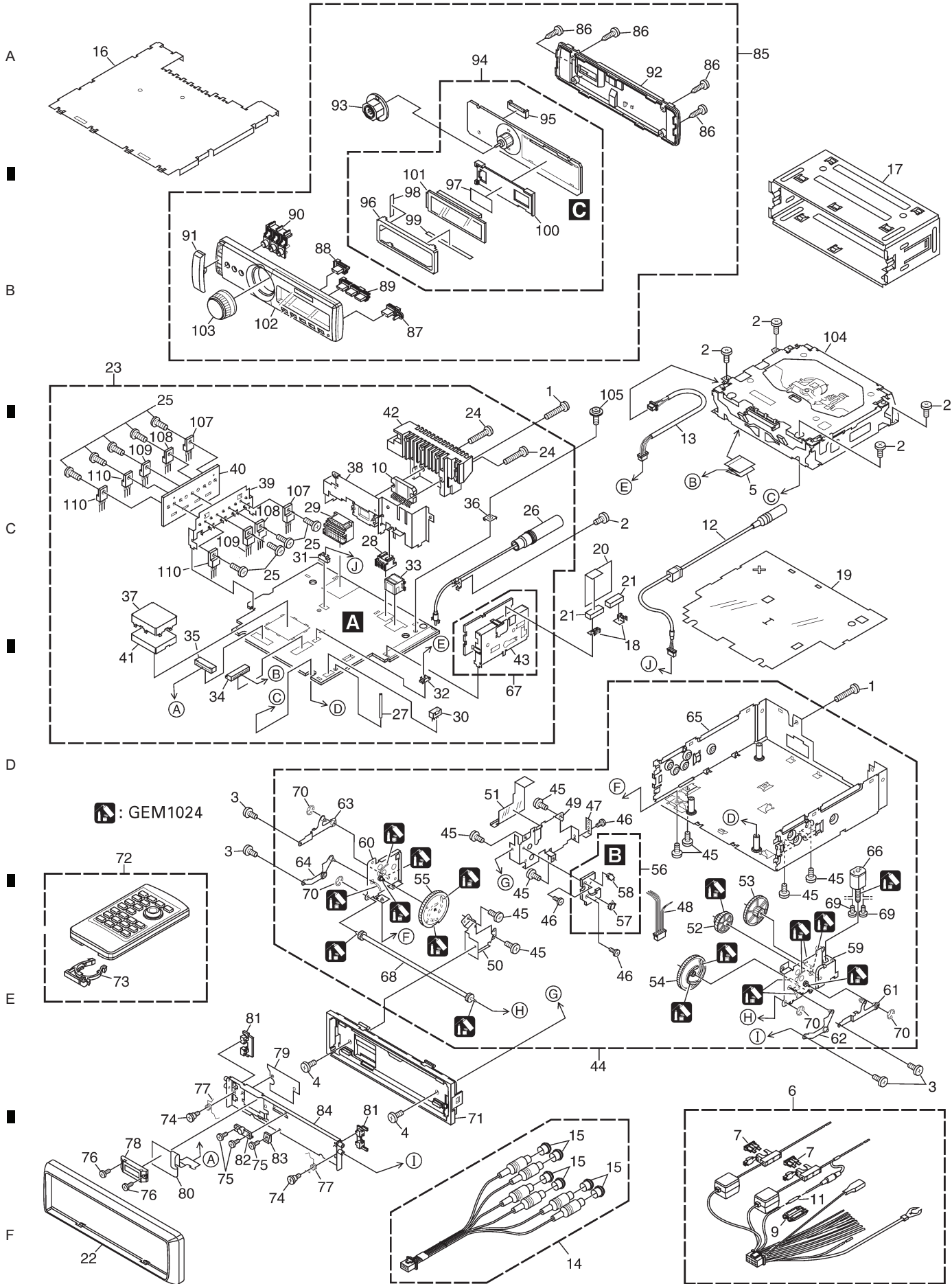
## PACKING(DEH-P1Y/XN/ES) SECTION PARTS LIST

<u>Mark No.</u>	<u>Description</u>	<u>Part No.</u>	<u>Mark No.</u>	<u>Description</u>	<u>Part No.</u>
1	Cord Assy	CDE7612	17-2	Owner's Manual	CRD3848
2	Cord Assy	CDE7482	17-3	Owner's Manual	CRD3849
3	Accessory Assy	CEA4301	17-4	Installation Manual	CRD3850
4	Spring	CBH1650			
5	Screw Assy	CEA3849	*	17-5 Caution Card	CRP1307
				17-6 Caution Card	CRP1310
6	Screw	CBA1650	18	Polyethylene Bag	CEG-162
7	*****		19	Carton	CHG5210
*	8 Polyethylene Bag	CEG-127	20	Sub Carton	CHA3258
9	Screw	CRZ50P090FTC			
10	*****		21	Contain Box	CHL5210
			22	Protector	CHP2546
11	*****		23	Protector	CHP2539
12	Screw	TRZ50P080FTC	24	Protector	CHP2538
*	13 Polyethylene Bag	CEG-158	25	Protector	CHP2541
14	Handle	CNC5395			
15	*****		26	Remote Control Unit	CXC2665
			27	Case Assy	CXC3572
16	Bush	CNV3930	*	28 Caution Card	CRP1311
17-1	Polyethylene Bag	CEG1116			

### Owner's Manual,Installation Manual

<b>Part No.</b>	<b>Language</b>
CRD3848	English, Spanish, Portuguese(B)
CRD3849	Traditional Chinese, Arabic
CRD3850	English, Spanish, Portuguese(B), Traditional Chinese, Arabic

# 2.3 EXTERIOR



**(1) EXTERIOR SECTION PARTS LIST**

<u>Mark No.</u>	<u>Description</u>	<u>Part No.</u>	<u>Mark No.</u>	<u>Description</u>	<u>Part No.</u>
1	Screw	BMZ26P200FTC	56	Switch Unit	CWS1389
2	Screw	BSZ26P060FTC	57	Switch(S1)	CSN1051
3	Screw(M2x2.5)	CBA1641	58	Spring Switch(S2)	CSN1052
4	Screw(M2.6x4)	CBA1769	59	Holder Unit	CXC2196
5	Flat Cable	CDE7468	60	Holder Unit	CXC2197
6	Cord Assy	CDE7482	61	Arm Unit	CXC2198
7	Fuse(10A)	CEK1136	62	Arm Unit	CXC2199
8	.....		63	Arm Unit	CXC2200
9	Cap	CNS1472	64	Arm Unit	CXC2201
10	IC(IC201)	PAL008A	65	Chassis Unit	See Contrast table(2)
11	Resistor	RS1/2PMF102J	66	Motor Unit(M871)	CXC2204
12	Cord Assy	See Contrast table(2)	67	FM/AM Tuner Unit	CWE1646
13	Cord Assy	CDE7484	68	Gear Unit	CXC2205
14	Cord Assy	CDE7612	69	Screw	JFZ20P025FTC
15	Cap	CNV6727	70	Washer	YE15FTC
16	Case	CNB2945	71	Panel Unit	CXC2603
17	Holder	CNC8659	72	Remote Control Unit	CXC2665
18	Earth Plate	CND2171	73	Cover	CZN5357
19	Insulator	CNM8638	74	Screw(M2x2)	CBA1561
20	Insulator	CNM8790	75	Screw(M2x2)	CBA1633
21	Cushion	CNM9126	76	Screw(M2x3.5)	CBA1754
22	Panel	CNS7772	77	Spring	CBH2530
23	Tuner Amp Unit	See Contrast table(2)	78	Connector	CKS4796
24	Screw	BMZ26P200FTC	79	Holder	CND2172
25	Screw	BSZ26P080FTC	80	Flexible PCB	CNP7698
26	Antenna Cable	CDH1336	81	Arm	CNV6962
27	Clamper	CEF1033	82	Guide	CNV6967
28	Connector(CN361)	CKM1389	83	Guide	CNV6968
29	Plug(CN981)	CKM1428	84	Case Unit	CXC2670
30	Plug(CN871)	CKS-786	85	Detach Grille Assy	See Contrast table(2)
31	Connector(CN571)	See Contrast table(2)	86	Screw	BPZ20P060FZK
32	Connector(CN704)	CKS3125	87	Button(OPEN/RESET)	CAC8442
33	Connector(CN101)	CKS3408	88	Button(BAND)	CAC8443
34	Connector(CN701)	CKS3837	89	Button(ENT/EQ/EQ-EX)	CAC8444
35	Connector(CN801)	CKS4811	90	Button(CLOCK/DISP/LIST)	CAC8450
36	Holder(CN402)	CNC5399	91	Button(ATT/OFF/SRC)	CAC9003
37	Case	CNC8138	92	Cover	CNS7770
38	Holder	CND2029	93	Lighting Conductor	CNV7966
39	Holder	CND2030	94	Keyboard Unit	CWM9290
40	Heat Sink	CND2031	95	Connector(CN1901)	CKS4795
41	Insulator	CNM6249	96	Holder	CND2028
42	Heat Sink	CNR1728	97	Double-sided Seal	CNM8673
43	Holder	CND1054	98	Spacer	CNM9141
44	Drive Unit	See Contrast table(2)	99	Spacer	CNM9142
45	Screw	BMZ26P040FTC	100	Holder	CNV7965
46	Screw(M2x2)	CBA1633	101	OEL Unit	MXS8202
47	Spring	CBL1632	102	Sub Grille Assy	See Contrast table(2)
48	Cord	CDE7392	103	Knob Unit	CXC3581
49	Holder	CND1848	104	CD Mechanism Module(S10CODE2)CXXK5666	
50	Holder	CND1850	105	Screw	ISS26P055FTC
51	Insulator	CNM8797	106	.....	
52	Gear	CNV7752	107	Diode(D241,242)	FMG22
53	Gear	CNV7753	108	Diode(D243,244)	FMJ-2303
54	Gear	CNV7754	109	Transistor(Q241,242)	FKV550N
55	Gear	CNV7755	110	Transistor(Q742,902,921)	2SD2375

**(2) CONTRAST TABLE**

DEH-P8MP/XN/UC, DEH-P80MP/XN/UC and DEH-P1Y/XN/ES are constructed the same except for the following:

Mark	NO	Description	DEH-P8MP/XN/UC	DEH-P80MP/XN/UC	DEH-P1Y/XN/ES
A	12	Cord Assy	CDE7483	CDE7483	Not used
	23	Tuner Amp Unit	CWM9287	CWM9288	CWM9289
	31	Connector(CN571)	CKS3125	CKS3125	Not used
	44	Drive Unit	CXC2206	CXC2206	CXC3562
	65	Chassis Unit	CXC2203	CXC2203	CXC3561
	85	Detach Grille Assy	CXC2695	CXC2696	CXC2697
	102	Sub Grille Assy	CXC3235	CXC3236	CXC3237

B

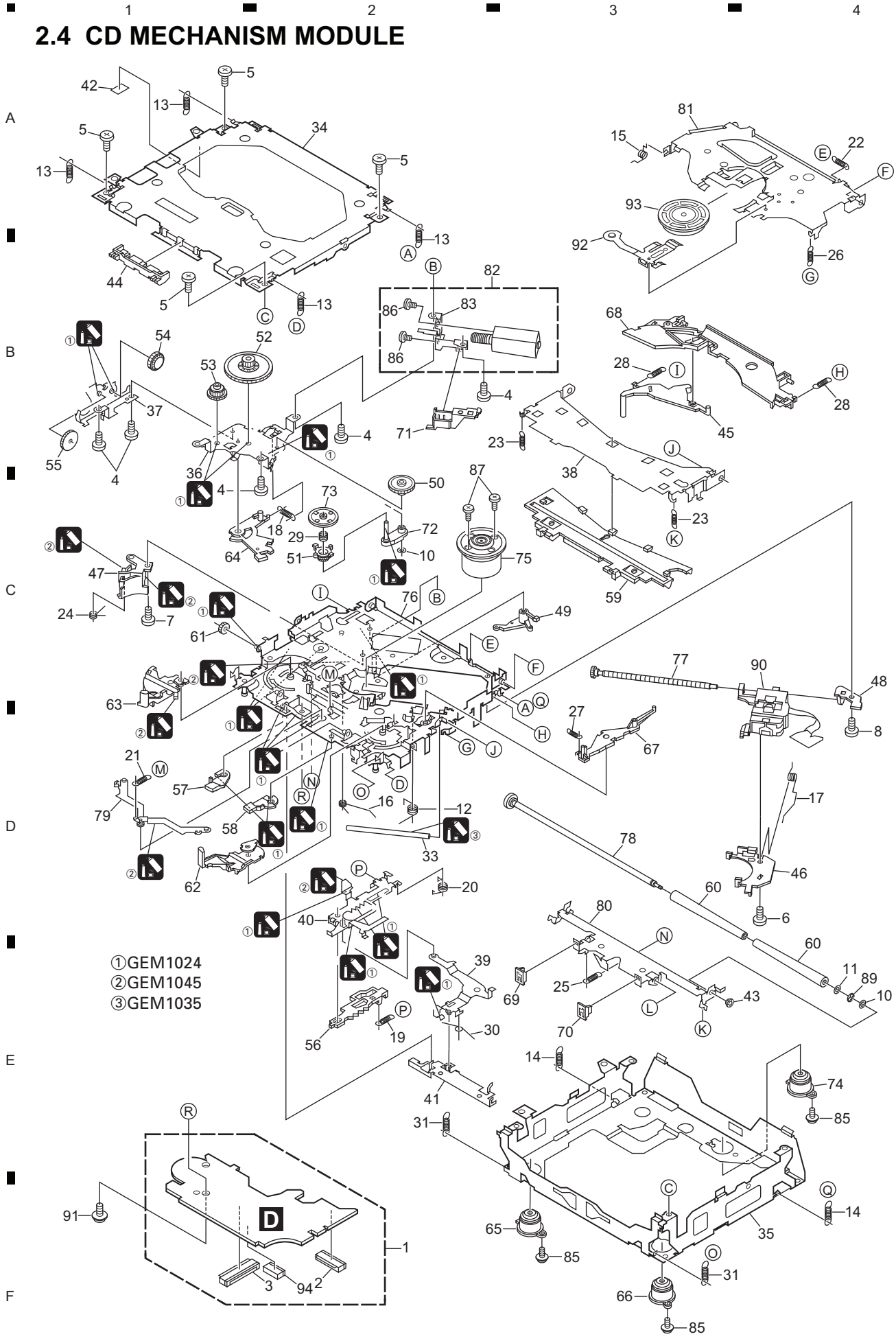
C

D

E

F

# 2.4 CD MECHANISM MODULE



- ① GEM1024
- ② GEM1045
- ③ GEM1035

## CD MECHANISM MODULE PARTS LIST

<u>Mark No.</u>	<u>Description</u>	<u>Part No.</u>	<u>Mark No.</u>	<u>Description</u>	<u>Part No.</u>
1	CD Core Unit(S10WMACODE2)	CWX2952	50	Gear	CNV7207
2	Connector(CN101)	CKS4182			
3	Connector(CN901)	CKS4017	51	Gear	CNV7208
4	Screw	BMZ20P035FTC	52	Gear	CNV7209
5	Screw	BSZ20P040FTC	53	Gear	CNV7210
			54	Gear	CNV7211
			55	Gear	CNV7212
6	Screw(M2x4)	CBA1362			
7	Screw(M2x3)	CBA1511			
8	Screw(M2x3)	CBA1527	56	Rack	CNV7214
9	.....		57	Arm	CNV7215
10	Washer	CBF1038	58	Arm	CNV7216
			59	Guide	CNV7217
			60	Roller	CNV7218
11	Washer	CBF1060			
12	Spring	CBH2390			
13	Spring	CBH2606	61	Gear	CNV7219
14	Spring	CBH2607	62	Arm	CNV7221
15	Spring	CBH2608	63	Arm	CNV7220
			64	Arm	CNV7222
16	Spring	CBH2609	65	Damper	CNV7313
17	Spring	CBH2610			
18	Spring	CBH2735	66	Damper	CNV7314
19	Spring	CBH2612	67	Arm	CNV7341
20	Spring	CBH2613	68	Arm	CNV7342
			69	Guide	CNV7360
21	Spring	CBH2614	70	Guide	CNV7361
22	Spring	CBH2615			
23	Spring	CBH2616	71	Holder	CNV7437
24	Spring	CBH2617	72	Arm	CNV7805
25	Spring	CBH2620	73	Gear	CNV7595
			74	Damper	CNV7618
26	Spring	CBH2621	75	Motor Unit(M1)	CXB6007
27	Spring	CBH2641			
28	Spring	CBH2642	76	Chassis Unit	CXC2318
29	Spring	CBH2643	77	Screw Unit	CXB8729
30	Spring	CBH2659	78	Gear Unit	CXC2397
			79	Arm Unit	CXC2316
31	Spring	CBH2688	80	Arm	CND1896
32	.....				
33	Shaft	CLA4441	81	Arm	CND1894
34	Frame	CNC9962	82	Motor Unit(M2)	CXB8933
35	Frame	CNC9963	83	Bracket	CNC9985
			84	.....	
36	Bracket	CNC9966	85	Screw(M2x5)	EBA1028
37	Bracket	CND1895			
38	Arm	CNC9968	86	Screw	JFZ20P020FTC
39	Arm	CND1909	87	Screw	JGZ17P022FTC
40	Lever	CND2032	88	.....	
			89	Washer	YE20FTC
41	Lever	CNC9984	90	Pickup Unit(P9.9MP3)(Service)	CXX1805
42	Sheet	CNM8134			
43	Collar	CNV7798	91	Screw	IMS26P030FTC
44	Guide	CNV7799	92	Spring	CBL1635
45	Arm	CNV7800	93	Clamper	CNV7197
			94	Connector(CN902)	CKS2193
46	Rack	CNV7199			
47	Holder	CNV7201			
48	Holder	CNV7202			
49	Arm	CNV7203			

# 5. ELECTRICAL PARTS LIST

**NOTE:**

- Parts whose parts numbers are omitted are subject to being not supplied.
- The part numbers shown below indicate chip components.

Chip Resistor

RS1/○S○○○○J,RS1/○○S○○○○J

Chip Capacitor (except for CQS.....)

CKS....., CCS....., CSZS.....

- The  $\triangle$  mark found on some component parts indicates the importance of the safety factor of the part. Therefore, when replacing, be sure to use parts of identical designation.

**Circuit Symbol and No.      Part No.      Circuit Symbol and No.      Part No.**

**A**  
**Unit Number:CWM9287(P8MP/XN/UC)**  
**Unit Number:CWM9288(P80MP/XN/UC)**  
**Unit Number:CWM9289(P1Y/XN/ES)**  
**Unit Name:Tuner Amp Unit**

**MISCELLANEOUS**

Circuit Symbol and No.	Part No.	Circuit Symbol and No.	Part No.
		Transistor (P80MP/XN/UC)	UMH3N
		Q 364 Transistor	UMD2N
		Q 501 Transistor	2SC4081
		Q 651 Transistor	2SC3052-12
		Q 741 Transistor	UMD2N
		Q 742 Transistor	2SD2375
		Q 743 Transistor	2SD1760F5
		Q 744 Transistor	UMD2N
		Q 821 Transistor	UMD2N
		Q 822 Transistor	2SD1767
		Q 831 Transistor	UMF23N
		Q 841 Transistor	UMD2N
		Q 842 Transistor	2SD1760F5
		Q 861 Transistor	2SC3052-12
		Q 871 Transistor	2SD1760F5
		Q 872 Transistor	UMD3N
		Q 881 Transistor	UMH9N
		Q 882 Transistor	2SC4081
		Q 883 Transistor	2SA1576
		Q 884 Transistor	2SC4081
		Q 885 Transistor	2SC4081
		Q 901 Transistor	UMD2N
		Q 902 Transistor	2SD2375
		Q 921 Transistor	2SD2375
		Q 922 Transistor	2SB1243
		Q 923 Transistor	DTC114EU
		Q 931 Transistor	UMX1N
		Q 941 Transistor	DTC114EU
		Q 951 Transistor	2SA1576
		D 171 Diode Network	DA204U
		D 172 Diode Network	DA204U
		D 173 Diode	DAN202U
		D 174 Diode	DAP202U
		D 221 Diode	UDZS6R2(B)
		D 222 Diode	UDZS6R8(B)
		D 241 Diode	FMG22
		D 242 Diode	FMG22
		D 243 Diode	FMJ-2303
		D 244 Diode	FMJ-2303
		D 245 Diode	1SR154-400
		D 246 Diode	1SS355
		D 321 Diode	RB706F-40
		D 341 Diode(P8MP/XN/UC,P1Y/XN/ES)	1SS396
		D 361 Diode	1SS133
		D 451 Diode	1SR154-400
IC 101 IC	HA12240FP		
IC 131 IC	PML009A		
IC 171 IC	NJM4558MD		
IC 201 IC	PAL008A		
IC 221 IC	NJM2406F		
IC 241 IC	UPC494GS		
IC 341 IC	PA2028A		
IC 451 IC	BA033FP		
IC 561 IC	TPD1018F		
IC 601 IC	PD5925A		
IC 652 IC	BD4835G		
IC 801 IC	TC74VHCT125AFT		
IC 841 IC	NJM2360M		
IC 871 IC	BA6288FS		
Q 101 Transistor	UMF23N		
Q 201 Transistor	DTC124EU		
Q 202 Transistor	DTC114EU		
Q 221 Transistor	2SC3052-12		
Q 241 Transistor	FKV550N		
Q 242 Transistor	FKV550N		
Q 243 Transistor	2SA933S		
Q 244 Transistor	DTC123EU		
Q 246 Transistor	2SC1740S		
Q 247 Transistor	DTC143EU		
Q 248 Transistor	2SC1740S		
Q 361 Chip Transistor (P8MP/XN/UC,P1Y/XN/ES)	HN1C03FU		
Transistor (P80MP/XN/UC)	UMH3N		
Q 362 Chip Transistor (P8MP/XN/UC,P1Y/XN/ES)	HN1C03FU		
Transistor (P80MP/XN/UC)	UMH3N		
Q 363 Chip Transistor (P8MP/XN/UC,P1Y/XN/ES)	HN1C03FU		

5		6		7		8	
<u>Circuit Symbol and No.</u>		<u>Part No.</u>		<u>Circuit Symbol and No.</u>		<u>Part No.</u>	
D 501	Diode	DAN202U		SP601	Buzzer	CPV1062	
D 502	Diode	HZS9L(A2)			FM/AM Tuner Unit	CWE1646	
D 561	Diode	MPG06G-6415G50		<b>RESISTORS</b>			
D 562	Diode	MPG06G-6415G50					A
D 741	Diode	HZS9L(B1)		R 101		RS1/16S102J	
D 742	Diode	HZS6L(C1)		R 102		RS1/16S223J	
D 801	Diode	DAN202U		R 103		RS1/16S181J	
				R 104		RS1/16S222J	
D 802	Diode	DAP202U		R 105		RS1/16S181J	
D 803	Diode	DAP202U					
D 804	Diode	DAN202U		R 106		RS1/16S223J	
D 805	Diode	DAP202U		R 107		RS1/16S102J	
D 806	Diode	DAN202U		R 108		RS1/16S150J	
				R 109		RS1/16S562J	
D 807	Diode	DAP202U		R 110		RS1/16S332J	
D 808	Diode	DAN202U					B
D 821	Diode	HZS11L(A1)		R 111		RS1/16S470J	
D 841	Diode	HZS11L(A1)		R 112		RS1/16S101J	
D 842	Diode	RB411D		R 113		RS1/16S102J	
				R 114		RS1/16S101J	
D 861	LED	SML311BBT(PQ)		R 131		RS1/16S821J	
D 871	Diode	HZS6L(C3)					
D 872	Diode	1SS133		R 132		RS1/16S821J	
D 873	Diode	1SS133		R 133		RS1/16S102J	
D 881	Diode	DAN202U		R 134		RS1/16S102J	
				R 135		RAB4C102J	
D 882	Diode	DAN202U		R 136		RS1/16S101J	
D 883	Diode	DAN202U					
D 884	Diode	DAN202U		R 137		RS1/16S101J	C
D 901	Diode	HZS6L(B2)		R 138		RS1/16S101J	
D 902	Diode	MPG06G-6415G50		R 139		RS1/16S101J	
				R 140		RS1/16S101J	
D 921	Diode	HZS9L(B3)		R 141		RS1/16S101J	
D 931	Diode	HZS7L(C3)					
D 932	Diode	HZS7L(A1)		R 171		RS1/16S104J	
D 941	Diode	MPG06G-6415G50		R 172		RS1/16S104J	
D 951	Diode	DAN202U		R 173		RS1/16S563J	
				R 174		RS1/16S563J	
D 981	Diode	MPG06G-6415G50		R 175		RS1/16S474J	
D 982	Diode	MPG06G-6415G50					
D 983	Diode	MPG06G-6415G50		R 176		RS1/16S474J	
D 984	Diode	MPG06G-6415G50		R 201		RS1/16S681J	D
ZNR401	Surge Protector	RCCA-201Q31UA-PI		R 202		RS1/16S103J	
				R 203		RS1/16S103J	
L 101	Inductor	LCTC2R2K1608		R 204		RS1/16S331J	
L 131	Inductor	LCTA2R2J2520					
L 241	Coil	CTH1310		R 205		RS1/16S681J	
L 242	Coil	CTH1310		R 221		RS1/16S103J	
L 243	Ferri-Inductor	LAU220K		R 222		RS1/16S103J	
				R 223		RS1/16S473J	
L 341	Ferri-Inductor	LAU220K		R 224		RS1/16S104J	
L 401	Inductor	LAU1R0K					
L 402	Inductor	LAU2R2K		R 231		RS1/16S473J	
L 403	Inductor	LAU1R0K		R 241		RS1/2PMF3R3J	E
L 404	Inductor	LCTA4R7J2520		R 242		RS1/2PMF3R3J	
				R 243		RD1/4MUF470J	
L 601	Ferri-Inductor	LAU100K		R 244		RD1/4MUF470J	
L 701	Ferri-Inductor	LAU100K					
L 801	Inductor	CTF1379		R 245		RS1/16S222J	
L 831	Ferri-Inductor	LAU100K		R 247		RS1/16S104J	
L 841	Inductor	CTF1489		R 248		RS1/16S822J	
				R 249		RS1/16S224J	
L 842	Inductor	CTF1510		R 250		RS1/16S472J	
L 843	Chip-Inductor	LCTA2R2J3225					
L 951	Chip-Inductor	LCTA2R2J3225		R 251		RS1/16S103J	
X 601	Radiator 10.00MHz	CSS1475		R 252		RS1/16S1002D	
S 421	Slide Switch(60W/40W)	CSH1051		R 253		RS1/16S1002D	F
				R 254		RS1/16S3902D	
VR321	Semi-fixed 10kΩ(B)	CCP1229		R 255		RS1/16S3902D	
FU361	Fuse 3A $\Delta$	CEK1286					
MIC321	Microphone	CPM1011					

**Circuit Symbol and No.****Part No.****Circuit Symbol and No.****Part No.**

	R 256		RS1/16S2R2J		R 404		RS1/16S681J
	R 257		RS1/16S2R2J		R 405		RS1/16S681J
	R 258		RS1/16S473J		R 406		RS1/16S681J
A	R 259		RS1/16S473J				
	R 260		RS1/16S103J		R 421		RS1/16S104J
					R 422		RS1/16S102J
	R 261		RS1/4SA331J		R 451		RD1/4PU2R2J
	R 262		RS1/4SA331J		R 501		RS1/16S103J
	R 263		RS1/16S0R0J		R 502		RS1/16S473J
	R 264		RS1/4SA151J				
	R 265		RS1/16S332J		R 503		RS1/16S473J
					R 561		RS1/16S103J
	R 266		RS1/16S332J		R 571	(P8MP/XN/UC,P80MP/XN/UC)	RS1/16S102J
	R 267		RS1/16S152J		R 572	(P8MP/XN/UC,P80MP/XN/UC)	RS1/16S102J
	R 268		RS1/4SA151J		R 601		RS1/16S472J
	R 269		RS1/16S152J				
B	R 321		RS1/16S222J		R 602		RS1/16S472J
					R 603		RS1/16S473J
	R 323		RS1/16S561J		R 604		RS1/16S104J
	R 324		RS1/16S104J		R 605		RS1/16S104J
	R 325		RS1/16S104J		R 606		RS1/16S103J
	R 341		RS1/16S103J				
	R 342		RS1/16S103J		R 607		RS1/16S0R0J
					R 608		RS1/16S104J
	R 361	(P8MP/XN/UC,P1Y/XN/ES)	RS1/16S820J		R 609		RS1/16S104J
		(P80MP/XN/UC)	RS1/16S821J		R 610		RS1/16S102J
	R 362	(P8MP/XN/UC,P1Y/XN/ES)	RS1/16S820J		R 612		RS1/16S103J
		(P80MP/XN/UC)	RS1/16S821J				
C	R 363	(P8MP/XN/UC,P1Y/XN/ES)	RS1/16S820J		R 613		RS1/16S681J
		(P80MP/XN/UC)	RS1/16S821J		R 614		RS1/16S681J
	R 364	(P8MP/XN/UC,P1Y/XN/ES)	RS1/16S820J		R 615		RS1/16S681J
		(P80MP/XN/UC)	RS1/16S821J		R 616		RS1/16S473J
	R 365	(P8MP/XN/UC,P1Y/XN/ES)	RS1/16S820J		R 617	(P1Y/XN/ES)	RS1/16S104J
		(P80MP/XN/UC)	RS1/16S821J				
	R 366	(P8MP/XN/UC,P1Y/XN/ES)	RS1/16S820J		R 618	(P8MP/XN/UC,P80MP/XN/UC)	RS1/16S104J
		(P80MP/XN/UC)	RS1/16S821J		R 619		RS1/16S104J
					R 620	(P80MP/XN/UC)	RS1/16S104J
	R 367	(P8MP/XN/UC,P1Y/XN/ES)	RS1/16S103J		R 621	(P8MP/XN/UC,P1Y/XN/ES)	RS1/16S104J
		(P80MP/XN/UC)	RS1/16S0R0J		R 622		RS1/16S104J
	R 368	(P8MP/XN/UC,P1Y/XN/ES)	RS1/16S103J		R 623		RS1/16S104J
		(P80MP/XN/UC)	RS1/16S0R0J		R 624		RS1/16S104J
D	R 369	(P8MP/XN/UC,P1Y/XN/ES)	RS1/16S103J		R 625		RS1/16S0R0J
		(P80MP/XN/UC)	RS1/16S0R0J		R 626		RS1/16S0R0J
	R 370	(P8MP/XN/UC,P1Y/XN/ES)	RS1/16S103J		R 627		RS1/16S0R0J
		(P80MP/XN/UC)	RS1/16S0R0J				
	R 371	(P8MP/XN/UC,P1Y/XN/ES)	RS1/16S103J		R 628		RS1/16S0R0J
		(P80MP/XN/UC)	RS1/16S0R0J		R 629		RS1/16S0R0J
	R 372	(P8MP/XN/UC,P1Y/XN/ES)	RS1/16S103J		R 630		RS1/16S0R0J
		(P80MP/XN/UC)	RS1/16S0R0J		R 631		RS1/16S104J
					R 642		RS1/16S104J
	R 373		RS1/16S223J				
	R 374		RS1/16S223J		R 651		RS1/16S102J
E	R 375		RS1/16S223J		R 652		RS1/16S102J
	R 376		RS1/16S223J		R 653		RS1/16S183J
	R 377		RS1/16S223J		R 654		RS1/16S473J
					R 655		RS1/16S222J
	R 378		RS1/16S223J				
	R 379	(P8MP/XN/UC,P1Y/XN/ES)	RS1/16S471J		R 701		RS1/16S473J
	R 380	(P8MP/XN/UC,P1Y/XN/ES)	RS1/16S471J		R 703		RS1/16S682J
	R 381	(P8MP/XN/UC,P1Y/XN/ES)	RS1/16S471J		R 704		RS1/16S682J
	R 382	(P8MP/XN/UC,P1Y/XN/ES)	RS1/16S471J		R 705		RS1/16S682J
					R 706		RS1/16S682J
	R 383	(P8MP/XN/UC,P1Y/XN/ES)	RS1/16S471J				
	R 384	(P8MP/XN/UC,P1Y/XN/ES)	RS1/16S471J		R 707		RS1/16S221J
	R 385	(P80MP/XN/UC)	RS1/16S0R0J		R 708		RS1/16S221J
F	R 389		RS1/16S102J		R 709		RS1/16S221J
	R 401		RS1/16S681J		R 710		RS1/16S221J
					R 711		RS1/16S221J
	R 402		RS1/16S681J				
	R 403		RS1/16S681J		R 712		RS1/16S221J

5		6		7		8	
<u>Circuit Symbol and No.</u>	<u>Part No.</u>	<u>Circuit Symbol and No.</u>	<u>Part No.</u>	<u>Circuit Symbol and No.</u>	<u>Part No.</u>		
R 741	RD1/4PU391J	R 903	RS1/16S332J	R 743	RS1/16S0R0J		
R 743	RD1/4PU391J	R 904	RS1/16S152J	R 801	RS1/16S104J		A
R 801	RS1/16S104J	R 922					
R 802	RS1/16S104J	R 923	RD1/4PU152J				
R 803	RS1/16S102J	R 924	RS1/16S223J				
R 804	RS1/16S222J	R 925	RS1/16S472J				
R 805	RS1/16S472J	R 931	RS1/16S104J				
R 806	RS1/16S222J	R 932	RS1/16S473J				
R 807	RS1/16S222J	R 933	RS1/16S103J				
R 808	RS1/16S222J	R 934	RS1/16S473J				
R 809	RS1/16S222J	R 935	RS1/16S472J				
R 810	RS1/16S222J	R 943	RS1/16S103J				
R 811	RS1/16S0R0J	R 951	RS1/16S102J				
R 812	RS1/16S104J	R 952	RS1/16S472J				B
R 813	RS1/16S102J	R 953	RS1/16S472J				
R 815	RS1/16S104J	R 954	RS1/16S153J				
R 816	RS1/16S221J	R 955	RS1/16S104J				
R 818	RS1/16S103J	R 981	RD1/4PU102J				
R 819	RS1/16S122J	R 982	RS1/4SA0R0J				
R 821	RS1/16S221J	R 987	RS1/16S0R0J				
R 822	RS1/16S221J						
R 823	RS1/16S1R0J						
R 824	RS1/16S473J						
				<b><u>CAPACITORS</u></b>			
R 825	RS1/16S473J	C 102	CKSRYB104K16				
R 826	RS1/16S473J	C 103	CKSRYB102K50				C
R 827	RS1/16S104J	C 104	CKSRYB102K50				
R 831	RS1/16S472J	C 131	CCSQCH222J50				
R 832	RS1/16S102J	C 132	CEAL1R0M50				
R 833	RS1/16S472J	C 133	CEAL1R0M50				
R 841	RS1/16S331J	C 134	CKSRYB104K16				
R 842	RS1/16S331J	C 135	CKSRYB104K16				
R 844	RS1/16S1R0J	C 136	CEAL1R0M50				
R 845	RS1/16S391J	C 137	CEAL1R0M50				
R 846	RS1/16S121J	C 138	CEAL1R0M50				
R 847	RD1/4PU302J	C 139	CEAL1R0M50				
R 848	RD1/4PU302J	C 140	CEJQ470M10				D
R 861	RS1/16S331J	C 141	CKSRYB104K16				
R 862	RS1/16S331J	C 142	CCSQCH222J50				
R 863	RS1/16S331J	C 143	CEALNP4R7M16				
R 864	RS1/16S103J	C 144	CEALNP4R7M16				
R 865	RS1/16S103J	C 145	CEALNP4R7M16				
R 871	RAB4C102J	C 146	CEALNP4R7M16				
R 872	RD1/4PU391J	C 147	CCSQCH152J50				
R 881	RS1/16S472J	C 148	CEALNP4R7M16				
R 882	RS1/16S2203D	C 149	CEALNP4R7M16				
R 883	RS1/16S3303D	C 150	CCSQCH152J50				E
R 884	RS1/16S4702D	C 151	CEALNP4R7M16				
R 885	RS1/16S223J	C 152	CEALNP4R7M16				
R 886	RS1/16S223J	C 159	CKSRYB474K10				
R 887	RS1/16S3303D	C 160	CKSRYB474K10				
R 888	RS1/16S3303D	C 161	CEJQ100M50				
R 889	RS1/16S1503D	C 171	CKSRYB103K50				
R 890	RS1/16S1503D	C 172	CKSRYB104K16				
R 891	RS1/16S1503D	C 173	CKSRYB104K16				
R 892	RS1/16S1503D	C 174	CKSRYB104K16				
R 893	RS1/16S1503D	C 175	CKSRYB104K16				
R 894	RS1/16S1503D	C 176	CKSRYB474K10				F
R 895	RS1/16S1503D	C 177	CKSRYB474K10				
R 896	RS1/16S1503D	C 178	CCSRCH101J50				
R 902	RS1/16S223J						

**Circuit Symbol and No.****Part No.****Circuit Symbol and No.****Part No.**

	C 179		CCSRCH101J50	C 369	(P8MP/XN/UC,P1Y/XN/ES)	CKSRYB222K50
	C 201		CFTNA224J50	C 370	(P8MP/XN/UC,P1Y/XN/ES)	CKSRYB222K50
	C 202		CFTNA224J50	C 371	(P8MP/XN/UC,P1Y/XN/ES)	CKSRYB222K50
A	C 203		CFTNA224J50	C 372	(P8MP/XN/UC,P1Y/XN/ES)	CKSRYB222K50
	C 204		CFTNA224J50	C 373		CEAL220M35
	C 205		CEAL330M10	C 401		CKSRYB103K50
	C 206		CEHAR100M16	C 402		CKSRYB103K50
	C 207		CKSQYB225K10	C 403		CEJQ470M10
	C 208		CKSQYB225K10	C 404		CKSRYB103K50
	C 211		CKSRYB472K50	C 405		CEJQ101M10
	C 212		CKSRYB472K50	C 407		CKSYB475K10
	C 213		CKSRYB472K50	C 451		CKSRYB103K50
	C 214		CKSRYB472K50	C 452		CKSRYB103K50
	C 221		CKSRYB103K50	C 453		CEJQ220M25
B	C 222		CKSRYB104K25	C 454		CKSYB475K10
	C 223		CKSRYB104K25	C 455		CKSRYB103K50
	C 241		CQMA332J50	C 456		CKSYB475K10
	C 242		CQMA332J50	C 561		CKSRYB104K25
	C 243	2200μF/25V	CCH1594	C 562		CKSRYB473K25
	C 244	2200μF/25V	CCH1594	C 601		CCSRCH180J50
	C 245		CEHAZL102M16	C 602		CCSRCH220J50
	C 246		CEHAZL102M16	C 603		CEAL470M16
	C 247		CCSRCH270J50	C 604		CKSRYB103K50
	C 249		CKSRYB222K50	C 606		CCSRCH470J50
C	C 250		CQMAQ102J50	C 652		CKSRYB105K10
	C 251		CKSRYB332K50	C 653		CKSRYB104K16
	C 252		CKSYB105K25	C 702	470μF/10V	CCH1438
	C 253		CKSYB105K25	C 741		CKSRYB473K16
	C 254		CCSQCH222J50	C 742		CKSRYB102K50
	C 255		CEJQ101M16	C 743		CEJQ101M16
	C 256		CKSRYB103K50	C 744		CKSRYB473K16
	C 257		CKSRYB103K50	C 745		CEJQ101M10
	C 259		CEHAZL100M50	C 801		CKSRYB473K16
	C 321		CEJQ100M50	C 821		CKSRYB473K25
D	C 322		CEJQ220M25	C 832		CCSRCH101J50
	C 323		CEJQ100M50	C 833		CKSRYB473K50
	C 341		CEAL4R7M35	C 834		CKSRYB105K10
	C 342		CEJQ101M16	C 841		CKSRYB104K16
	C 343		CASAQ3R3M16	C 842		CEAL470M16
	C 344		CKSRYB105K10	C 843		CEAL101M10
	C 345		CKSRYB105K10	C 844		CKSRYB104K16
	C 346		CKSRYB105K10	C 845		CCSRCH331J50
	C 347		CKSYB684K16	C 846		CKSRYB103K50
	C 348		CKSRYB105K10	C 847		CEAL330M25
E	C 349		CKSRYB105K10	C 848		CEAL100M25
	C 350		CKSRYB105K10	C 849	4.7μF	CCG1111
	C 351		CEAL100M16	C 861		CKSRYB104K25
	C 352		CKSQYB225K10	C 873		CKSRYB224K10
	C 353		CEJQ330M25	C 874		CKSRYB224K10
	C 354		CEJQ330M25	C 875		CEAT331M10
	C 355	(P8MP/XN/UC,P1Y/XN/ES)	CEJQ330M25	C 876		CKSRYB102K50
	C 356	(P8MP/XN/UC,P1Y/XN/ES)	CEJQ330M25	C 877		CCSRCH101J50
	C 361		CEJQ100M50	C 878		CCSRCH101J50
	C 362		CEJQ100M50	C 881		CKSRYB103K50
	C 363		CEJQ100M50	C 882		CKSQYB105K16
	C 364		CEJQ100M50	C 883		CKSQYB474K25
F	C 365		CEJQ100M50	C 884		CKSQYB474K25
	C 366		CEJQ100M50	C 885		CKSQYB474K25
	C 367	(P8MP/XN/UC,P1Y/XN/ES)	CKSRYB222K50	C 886		CKSQYB474K25
	C 368	(P8MP/XN/UC,P1Y/XN/ES)	CKSRYB222K50	C 887		CKSQYB474K25

Circuit Symbol and No.		Part No.	Circuit Symbol and No.		Part No.
C 888		CKSQYB474K25			
C 889		CKSQYB474K25	TH1981	Thermistor	CCX1037
C 890		CKSQYB474K25	X 1951	Ceramic Resonator 16MHz	CSS1616
C 901		CEJQ101M10	S 1901	Push Switch	CSG1155
			S 1902	Push Switch	CSG1155
C 902		CKSRYB103K50	S 1903	Switch(SEL/VOL)	CSX1065
C 903		CKSRYB472K50			
C 904	470µF/16V	CCH1331	S 1921	Push Switch	CSG1155
C 905	470µF/16V	CCH1331	S 1922	Push Switch	CSG1155
C 921		CEJQ221M10	S 1923	Push Switch	CSG1155
			S 1924	Push Switch	CSG1155
C 922		CKSRYB103K50	S 1925	Push Switch	CSG1155
C 923		CEJQ101M10			
C 924	470µF/16V	CCH1331	S 1926	Push Switch	CSG1155
C 931		CKSRYB104K25	S 1927	Push Switch	CSG1155
C 941		CKSQYB105K16	S 1928	Push Switch	CSG1155
			S 1929	Push Switch	CSG1155
C 951		CKSRYB104K25	VR1981	Semi-fixed 10kΩ(B)	CCP1229
C 981		CKSRYB473K50			
				OEL Unit	MXS8202

**B**

Unit Number:CWS1389

Unit Name:Switch Unit

S 1	Switch(CLOSE)	CSN1051
S 2	Switch(OPEN)	CSN1052

**C**

Unit Number:CWM9290

Unit Name:Keyboard Unit

**MISCELLANEOUS**

IC 1941	IC	S-818A33AUC-BGN
IC 1951	IC	PD5933A
IC 1952	IC	RS-140
IC 1953	IC	PD6469A
Q 1951	Transistor	UMD2N
Q 1952	Transistor	2SC4154-11
Q 1953	Transistor	UMD2N
Q 1981	Transistor	2SC4617
Q 1982	Transistor	2SD1664
D 1901	Diode	DAP202U
D 1902	Diode	DAN202U
D 1921	LED	SML311BBT(PQ)
D 1922	LED	SML311BBT(PQ)
D 1923	LED	SML311BBT(PQ)
D 1924	LED	SML311BBT(PQ)
D 1925	LED	SML311BBT(PQ)
D 1926	LED	SML311BBT(PQ)
D 1927	LED	SML311BBT(PQ)
D 1928	LED	SML311BBT(PQ)
D 1929	LED	SML311BBT(PQ)
D 1930	LED	SML311BBT(PQ)
D 1931	LED	SML311BBT(PQ)
D 1932	LED	SML311BBT(PQ)
D 1933	LED	SML311BBT(PQ)
D 1934	LED	SML311BBT(PQ)
D 1951	Diode	1SS355
D 1952	Diode	UDZS13(B)
D 1953	Diode	DAN202U
L 1903	Inductor	CTF1530
L 1941	Inductor	CTF1530

**RESISTORS**

R 1901	RS1/16S222J
R 1902	RS1/16S222J
R 1905	RS1/16S822J
R 1906	RS1/16S102J
R 1907	RS1/16S102J
R 1908	RS1/16S222J
R 1909	RS1/16S332J
R 1910	RS1/16S822J
R 1911	RS1/16S473J
R 1912	RS1/16S154J
R 1913	RS1/10S0R0J
R 1914	RS1/10S0R0J
R 1916	RS1/16S103J
R 1921	RS1/16S221J
R 1922	RS1/16S560J
R 1923	RS1/16S221J
R 1924	RS1/16S560J
R 1925	RS1/16S221J
R 1926	RS1/16S560J
R 1927	RS1/16S221J
R 1928	RS1/16S560J
R 1929	RS1/16S221J
R 1930	RS1/16S560J
R 1931	RS1/16S221J
R 1932	RS1/16S560J
R 1933	RS1/16S221J
R 1934	RS1/16S560J
R 1941	RS1/16S222J
R 1951	RS1/16S121J
R 1952	RS1/16S184J
R 1953	RS1/16S2R2J
R 1954	RS1/16S154J
R 1955	RS1/16S473J
R 1956	RAB4C102J
R 1957	RS1/16S103J
R 1958	RAB4C473J
R 1959	RS1/16S473J
R 1960	RAB4C101J
R 1961	RAB4C101J
R 1962	RAB4C101J

Circuit Symbol and No.Part No.Circuit Symbol and No.Part No.**Unit Number: CWX2952****Unit Name: CD CORE UNIT(S10WMACODE2)**MISCELLANEOUS

R 1963 RAB4C101J  
 R 1964 RAB4C101J  
 A R 1965 RAB4C101J  
 R 1966 RAB4C101J  
 R 1967 RAB4C101J

R 1968 RAB4C101J  
 R 1969 RAB4C101J  
 R 1970 RAB4C102J  
 R 1971 RS1/16S102J  
 R 1972 RS1/16S0R0J

R 1973 RS1/16S473J  
 R 1974 RS1/16S473J  
 R 1975 RS1/16S473J  
 B R 1977 RS1/16S473J  
 R 1981 RS1/16S333J

R 1982 RS1/16S683J  
 R 1983 RS1/16S393J  
 R 1984 RS1/16S392J  
 R 1985 RAB4C101J  
 R 1986 RS1/16S152J

R 1988 RS1/16S101J  
 R 1989 RS1/16S101J  
 R 1991 RS1/16S104J

CAPACITORS

C 1905 CKSRYB104K25  
 C 1908 CKSRYB104K25  
 C 1909 CKSRYB104K25  
 C 1921 CKSRYB104K25  
 C 1922 CKSRYB104K25

C 1923 CKSRYB104K25  
 C 1924 CKSRYB104K25  
 C 1925 CKSRYB104K25  
 C 1926 CKSRYB104K25  
 D C 1927 CKSRYB104K25

C 1928 CKSRYB104K25  
 C 1929 CKSRYB104K25  
 C 1930 CKSRYB104K25  
 C 1931 CKSRYB104K25  
 C 1932 CKSRYB104K25

C 1933 CKSRYB104K25  
 C 1934 CKSRYB104K25  
 C 1941 CSZSR4R7M16  
 C 1942 CSZSR4R7M10  
 C 1943 CKSQYB103K50

E C 1944 CSZSR4R7M10  
 C 1951 CKSYF106Z10  
 C 1952 CKSRYB473K50  
 C 1953 CKSRYB103K25  
 C 1954 CKSRYB103K25

C 1955 CKSYF475Z16  
 C 1957 CKSRYB103K25  
 C 1981 CKSRYB104K25  
 C 1982 CKSRYB104K25  
 C 1983 CKSRYB104K25

F C 1985 CKSRYB104K25

**D**

IC 201 IC UPD63761GJ  
 IC 203 IC NJM2391DL1-33  
 IC 301 IC BA5835FM  
 IC 501 IC S-L2980A15MC-C6A  
 IC 701 IC PE5423A

IC 703 IC S-812C33AUA-C2N  
 Q 101 Transistor 2SB1132  
 Q 601 Transistor IMH20  
 Q 603 Transistor 2SB709A  
 Q 701 Transistor UN2111

D 101 Diode 1SS355  
 D 601 Diode MA152WA  
 L 203 Inductor CTF1389  
 L 207 Inductor CTF1389  
 L 209 Inductor CTF1389

L 703 Inductor CTF1389  
 X 201 Ceramic Resonator 16.934MHz CSS1603  
 X 702 Resonator 4.00MHz CSS1654  
 S 901 Switch(HOME) CSN1051  
 S 902 Switch(CLAMP) CSN1051

S 903 Spring Switch(DSCSNS) CSN1052  
 S 904 Switch(12EJ) CSN1051  
 S 905 Switch(8EJ) CSN1051

RESISTORS

R 101 RS1/10S1R5J  
 R 102 RS1/10S1R5J  
 R 103 RS1/10S1R5J  
 R 104 RS1/10S1R5J  
 R 105 RS1/10S1R5J

R 107 RS1/16SS0R0J  
 R 201 RS1/16SS102J  
 R 202 RS1/16SS333J  
 R 205 RS1/16SS473J  
 R 207 RS1/16SS473J

R 209 RS1/16SS473J  
 R 214 RS1/16SS472J  
 R 216 RS1/16SS472J  
 R 218 RS1/16SS472J  
 R 220 RS1/16SS472J

R 221 RS1/16SS103J  
 R 222 RS1/16SS103J  
 R 223 RS1/16SS0R0J  
 R 224 RS1/16SS0R0J  
 R 225 RS1/16SS103J

R 226 RS1/16SS393J  
 R 227 RS1/16SS562J  
 R 228 RS1/16SS122J  
 R 229 RS1/16SS472J  
 R 231 RS1/16SS0R0J

R 232 RS1/16SS122J  
 R 233 RS1/16SS0R0J  
 R 240 RS1/16SS0R0J  
 R 241 RS1/16SS333J  
 R 242 RS1/16SS0R0J



**Circuit Symbol and No.****Part No.**

A	C 251		CKSRYB102K50
	C 260		CKSSYB104K10
	C 301		CKSSYB221K50
	C 302		CKSSYB221K50
	C 303		CKSSYB472K25
	C 304		CKSSYB103K16
	C 305	100 $\mu$ F/16V	CCH1504
	C 306		CKSSYB104K10
	C 307		CKSSYB104K10
	C 501		CKSRYB224K16
	C 505		CKSQYB475K6R3
	C 601		CCSRCH102J50
	C 602		CCSRCH102J50
B	C 603	4.7 $\mu$ F/25V	CCH1568
	C 604	4.7 $\mu$ F/25V	CCH1568
	C 701		CKSSYB104K10
	C 702		CKSSYB471K50
	C 703		CKSSYB103K16
	C 704	4.7 $\mu$ F/25V	CCH1592
	C 706		CKSSYB104K10
	C 707		CKSSYB104K10
	C 712		CKSRYB224K16
	C 713		CKSSYB104K10
	C 714		CKSSYB104K10
C	C 716		CKSSYB103K16
	C 717		CCSSCH180J50
	C 718		CCSSCH180J50
	C 720		CKSQYB225K10
	C 722		CKSRYB105K10
	C 903		CKSSYB471K50
	C 906		CKSRYB224K16
	C 907		CKSSYB103K16
	C 910		CKSQYB225K10

**Miscellaneous Parts List**

D	Pickup Unit(P9.9MP3)(Service)	CXX1805
M 1	Motor Unit(SPINDLE)	CXB6007
M 2	Motor Unit(LOADING/CARRIAGE)	CXB8933
M 871	Motor Unit(FLAP)	CXC2204

E

F