



MODEL	MARK	MODEL	MARK	MODEL	MARK	MODEL	MARK
DNX7170DABS	E2	DNX8170DABS	E7	DNX874S	K1	DNX9170DABS	X1
DNX9170S	M1	DNX9170SM	M2	DNX994S	K0		

Safe	Symbol No.	Parts No.	Parts Name	Description	QTY	Local
<b>EXPLODED VIEW (UNIT) &lt;M1MM&gt;</b>						
	DC1	E3A-0358-00	DC CORD		1	K1,X1,M1,M2,K0
	DC2	E3A-0360-00	DC CORD		1	E2,E7
	DGB1	CB-XJA056E01N	DIGITAL IO PWB ASSY	XJA-056E-01	1	E2
	DGB1	CB-XJA056E00N	DIGITAL IO PWB ASSY	XJA-056E-00	1	E7
	DGB1	CB-XJA056K01N	DIGITAL IO PWB ASSY	XJA-056K-01	1	K1,K0
	DGB1	CB-XJA056X01N	DIGITAL IO PWB ASSY	XJA-056X-01	1	X1
	DGB1	CB-XJA056M01N	DIGITAL IO PWB ASSY	XJA-056M-01	1	M1,M2
	MAB1	-----	MAIN PWB ASSY		1	E2
	MAB1	-----	MAIN PWB ASSY		1	E7
	MAB1	-----	MAIN PWB ASSY		1	K1
	MAB1	CB-XJ1191X01N	MAIN PWB ASSY	XJ1-191X-01	1	X1
	MAB1	CB-XJ1191M01N	MAIN PWB ASSY	XJ1-191M-01	1	M1
	MAB1	CB-XJ1191M02N	MAIN PWB ASSY	XJ1-191M-02	1	M2
	MAB1	-----	MAIN PWB ASSY		1	K0
	OPB1	CB-XJ7042K00N	OPERATION PWB ASSY	XJ7-042K-00	1	
	VDB1	-----	VIDEO PWB ASSY	NO SERVICE PART	1	E2
	VDB1	CB-XJ8023E05N	VIDEO PWB ASSY	XJ8-023E-05	1	E7
	VDB1	CB-XJ8023K04N	VIDEO PWB ASSY	XJ8-023K-04	1	K1,K0
	VDB1	CB-XJ8023M03N	VIDEO PWB ASSY	XJ8-023M-03	1	X1,M1,M2
△	F1	FZB10AU-150	BLADE FUSE	15A	1	
	FC1	E3F-0111-00	FLAT CABLE		1	
	FC2	EF0AD0550X4BC	FFC WIRE		1	
	FC3	EF0AD0560X4BC	FFC WIRE		1	
	FC4	EF0AA051503AC	FFC WIRE		2	E2,E7,K1,K0
	FC4	EF0AA051503AC	FFC WIRE		1	X1,M1,M2
	FC6	E3G-0048-10	FFC WIRE		1	X1,M1,M2
	FC7	E3F-0129-00	FLAT CABLE		1	E7
	FPC1	J8K-0013-00	FLEX P.BOARD		1	E2,E7,X1,M1,M2
	FPC1	J8K-0020-00	FLEX P.BOARD		1	K1,K0
	FPC2	E3J-0011-00	FPC		1	
	LCD1	B3H-0015-10	LCD		1	
	PA1	A6C-0062-0C	PANEL		1	E2
	PA1	A6C-0063-0D	PANEL		1	E7
	PA1	A6C-0063-03	PANEL		1	K1
	PA1	A6C-0063-02	PANEL		1	X1
	PA1	A6C-0063-04	PANEL		1	M1,M2
	PA1	A6C-0063-01	PANEL		1	K0
	PME1	A1A-0073-30	CHASSIS ASSY		1	
	RC1	QAL1553-001	REMOCON		1	X1,M1,M2
	TP1	W0C-0196-00	TOUCH PANEL		1	E2
	TP1	W0C-0256-00	TOUCH PANEL		1	E7,K1,X1,M1,M2
	TP1	W0C-0257-00	TOUCH PANEL		1	K0
	VME1	FD2-3A00NXN	DVD MECHA MODUL		1	
	WH1	E3F-0116-00	WIRING HARNESS		1	
	WH2	E3F-0112-00	WIRING HARNESS		1	
	WH4	E3F-0117-00	WIRING HARNESS		1	E2,E7
	A	VKZ4539-054	MINI SCREW		2	
	B	LV45552-003A	SPECIAL SCREW		4	
	C	QYSDST2606ZA	TAP SCREW	M2.6 x 6mm	48	E2,E7
	C	QYSDST2606ZA	TAP SCREW	M2.6 x 6mm	47	K1,K0
	C	QYSDST2606ZA	TAP SCREW	M2.6 x 6mm	43	X1,M1,M2
	D	LV45522-001A	SPECIAL SCREW		2	
	E	LV45701-002A	SPECIAL SCREW		7	E2,K1,X1,M1,M2,K0
	E	LV45701-002A	SPECIAL SCREW		11	E7
	F	QYSDSP2003ZA	SCREW	M2 x 3mm	4	
	G	LV45701-004A	SPECIAL SCREW		4	E2,K1,X1,M1,M2,K0
	G	LV45701-004A	SPECIAL SCREW		2	E7
	H	N09-6490-05	STEPPED SCREW		2	
	J	N09-6825-05	MACHINE SCREW		5	E7
	K	QYSDSG3006ZA	TAP SCREW	M3 x 6mm	2	
	L	QYSDSF2608ZA	TAP SCREW	M2.6 x 8mm	1	
	M	QYSDST2610ZA	TAP SCREW	M2.6 x 10mm	2	
	N	QYSPSG3008ZA	TAP SCREW	M3 x 8mm	3	
	P	QYSPST2614ZA	TAP SCREW	M2.6 x 14mm	2	
	Q	QYNTS2600ZA	NUT	M2.6	2	
	R	QYSDST2606MA	TAP SCREW	M2.6 x 6mm	5	
	S	N09-6904-05	TAPTITE SCREW		1	
	T	QYSDST3006MA	TAP SCREW	M3 x 6mm	1	E2,E7
	U	QYSDSP2004ZA	SCREW	M2 x 4mm	1	E7
	V	QYSDSF2006MA	TAP SCREW	M2 x 6mm	9	E7
	W	LV45942-001A	SPECIAL SCREW		1	E7
	Z	QYSDSF2005ZA	TAP SCREW	M2 x 5mm	2	E2,K1,X1,M1,M2,K0
	222	E3A-0372-00	CORD W.CON.		1	E2,E7,M1,M2
	222	E3A-0362-00	CORD W.CON.		1	K1,X1,K0
	223	GE40101-001A	PIN CAP		3	
	224	G1B-0071-0G	CUSHION		2	
	225	E3A-0421-00	CORD W.CON.		1	
	227	F0K-0070-00	FANMOTOR		1	
	228	LV45959-001A	CAP		2	
	230	F0G-0212-00	COVER		1	E2,E7
	235	A2C-0036-1C	SUB PANEL		1	E2,E7
	235	A2C-0036-1D	SUB PANEL		1	K1,K0
	235	A2C-0036-0A	SUB PANEL		1	X1
	235	A2C-0036-0B	SUB PANEL		1	M1,M2
	236	LV45134-003A	BLIND		1	
	237	B1K-0049-00	LIGHTING BOARD		1	

MODEL	MARK	MODEL	MARK	MODEL	MARK	MODEL	MARK
DNX7170DABS	E2	DNX8170DABS	E7	DNX874S	K1	DNX9170DABS	X1
DNX9170S	M1	DNX9170SM	M2	DNX994S	K0		

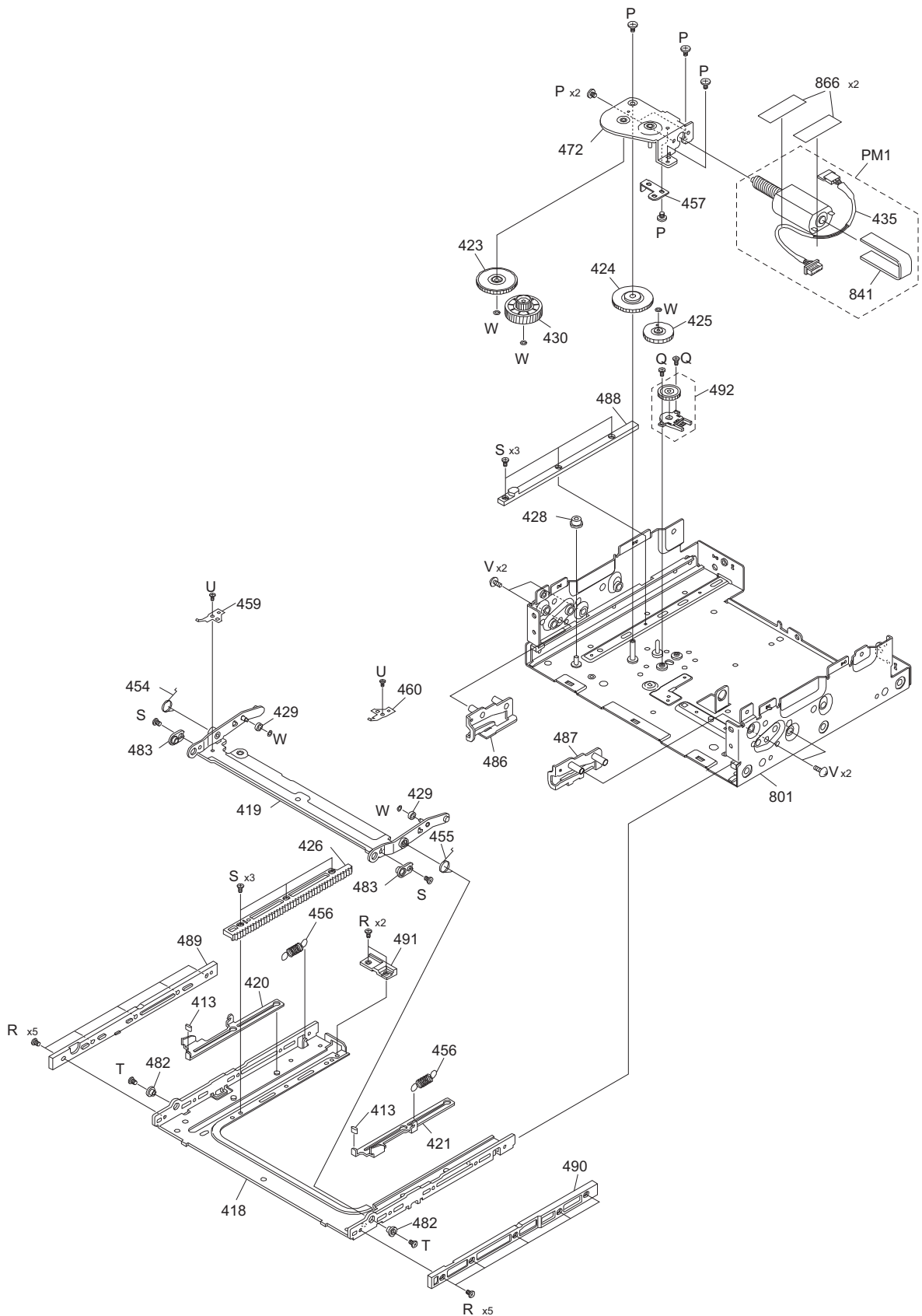
Safe	Symbol No.	Parts No.	Parts Name	Description	QTY	Local
	238	F1C-0100-00	SHIELDING SHEET		1	E2,E7
	239	G1B-0278-00	CUSHION		1	E2,E7
	251	A2B-0103-03	DRESSING PANEL		1	E2,K1
	251	A2B-0103-02	DRESSING PANEL		1	E7,X1,M1,M2,K0
	252	A2B-0104-03	DRESSING PANEL		1	E2,K1
	252	A2B-0104-02	DRESSING PANEL		1	E7,X1,M1,M2,K0
	253	K2K-0235-01	KNOB ASSY		1	E2,K1
	253	K2K-0235-00	KNOB ASSY		1	E7,X1,M1,M2,K0
	254	K2K-0236-17	KNOB ASSY		1	E2,K1
	254	K2K-0236-16	KNOB ASSY		1	E7,X1,M1,M2,K0
	255	K2K-0237-02	KNOB ASSY		1	E2,K1
	255	K2K-0237-01	KNOB ASSY		1	E7,X1,M1,M2,K0
	256	K2K-0238-12	KNOB ASSY		1	E2,K1
	256	K2K-0238-11	KNOB ASSY		1	E7,X1,M1,M2,K0
	257	K2K-0239-15	KNOB ASSY		1	E2,K1
	257	K2K-0239-11	KNOB ASSY		1	E7,X1,M1,M2,K0
	258	K2K-0240-11	KNOB ASSY		1	E2,K1
	258	K2K-0240-10	KNOB ASSY		1	E7,X1,M1,M2,K0
	259	B1K-0071-00	LIGHTING BOARD		1	
	260	J1K-0419-10	HOLDER		1	
	264	B1A-0070-00	FRONT GLASS		1	
	265	LV45980-001A	SHIELD SHEET		1	E2,K1,X1,M1,M2,K0
	270	LV23156-001A	M.H ASSY		1	E2,K1,X1,M1,M2,K0
	278	LV11948-002A	REAR COVER		1	E7
	279	LV11920-002A	REAR COVER		1	E2,K1,X1,M1,M2,K0
	288	LV45945-001A	TOR.COIL SPRING		1	E7
	289	K24-5072-03	PUSH KNOB		1	E7
	291	LV11949-001A	COVER		1	E7
	294	LV23134-001A	M.H ASSY		1	E7
	351	LV22876-001A	SLEEVE ASSY		1	E2,E7,K1,K0
	352	B07-3237-41	ESCUTCHEON		1	
	353	E3A-0274-00	CORD W.PINJACK		1	X1,M1,M2
	354	QAL1550-001	ANTENNA		1	
	355	LV45939-001A	GPS BRACKET		1	
	356	QAN0137-001	MICROPHONE		1	
	357	QYSDSP2008MA	SCREW	M2 x 8mm	1	E7
	358	LV45559-001A	W-FACED TAPE		1	K0
	359	E3A-0067-00	ANTENNA CABLE		1	X1
	360	QYSTSP5008ZA	SCREW	M5 x 8mm	6	K1,X1,M1,M2,K0
	361	QYSSSP5008ZA	SCREW	M5 x 8mm	6	K1,X1,M1,M2,K0
	363	LV45516-001A	LEVER		2	E2,E7,K1,K0
	364	E3A-0364-00	USB CORD	BLACK	1	
	365	E3A-0365-00	USB CORD	GRAY	1	
	366	QAM1419-001	CAR CABLE		1	X1,M1,M2
	367	LV45104-001A	SOFT CASE		1	E7
	373	LV23141-001A	ESCUTCHEON		1	K0
	501	B5A-1996-00	INST.MANUAL	ENG	1	E2,E7
	501	B5A-1995-00	INST.MANUAL	ENG	1	K1,K0
	501	B5A-1997-00	INST.MANUAL	ENG	1	X1,M1,M2
	502	B5A-1996-01	INST.MANUAL	FRE	1	E2,E7
	502	B5A-1995-01	INST.MANUAL	FRE	1	K1,K0
	502	B5A-1997-01	INST.MANUAL	CHI(PEKIN)	1	M1
	502	B5A-1997-02	INST.MANUAL	ARA	1	M2
	503	B5A-1996-02	INST.MANUAL	GER	1	E2,E7
	503	B5A-1995-02	INST.MANUAL	SPA	1	K1,K0
	503	B5A-1997-03	INST.MANUAL	ARA	1	M2
	504	B5A-1996-03	INST.MANUAL	DUT	1	E2,E7
	505	B5A-1996-04	INST.MANUAL	ITA	1	E2,E7
	506	B5A-1996-05	INST.MANUAL	SPA	1	E2,E7
	507	B5A-1996-06	INST.MANUAL	POR	1	E2,E7
	703	-----	AUDIO PWB ASSY	NO SERVICE PART	1	E2
	703	-----	AUDIO PWB ASSY	NO SERVICE PART	1	E7
	703	-----	AUDIO PWB ASSY	NO SERVICE PART	1	K1
	703	-----	AUDIO PWB ASSY	NO SERVICE PART	1	X1
	703	-----	AUDIO PWB ASSY	NO SERVICE PART	1	M1,M2
	703	-----	AUDIO PWB ASSY	NO SERVICE PART	1	K0
	704	-----	SUB PWB ASSY	NO SERVICE PART	1	E2,E7
	705	-----	BT PWB ASSY	NO SERVICE PART	1	E2,E7,K1,K0
	707	-----	SIGNAL PROCESS. PWB ASSY	NO SERVICE PART	1	E7
	710	-----	TOP PLATE	NO SERVICE PART	1	E2,E7
	710	-----	TOP PLATE	NO SERVICE PART	1	K1,X1,M1,M2
	710	-----	TOP PLATE	NO SERVICE PART	1	K0
	711	-----	BRACKET	NO SERVICE PART	1	
	712	-----	BRACKET	NO SERVICE PART	1	
	713	-----	COOL SHEET	NO SERVICE PART	1	
	714	-----	BRACKET	NO SERVICE PART	1	
	715	-----	HEAT SINK	NO SERVICE PART	1	
	716	-----	BRACKET	NO SERVICE PART	1	
	717	-----	SUB CHASSIS	NO SERVICE PART	1	E2,E7,K1,K0
	717	-----	SUB CHASSIS	NO SERVICE PART	1	X1,M1,M2
	718	-----	CONDUCT CUSHION	NO SERVICE PART	3	E2,E7
	719	-----	SIDE PLATE	NO SERVICE PART	1	
	720	-----	SIDE PLATE	NO SERVICE PART	1	
	721	-----	REAR PANEL	NO SERVICE PART	1	E2,E7
	721	-----	REAR PANEL	NO SERVICE PART	1	K1,K0
	721	-----	REAR PANEL	NO SERVICE PART	1	X1,M1,M2
	726	-----	CONDUCT CUSHION	NO SERVICE PART	1	X1,M1,M2
	729	-----	SHEET	NO SERVICE PART	1	E2,E7
	731	-----	BRACKET	NO SERVICE PART	1	
	732	-----	BRACKET	NO SERVICE PART	1	
	733	-----	CONDUCT CUSHION	NO SERVICE PART	2	E2,E7
	734	-----	CONDUCT CUSHION	NO SERVICE PART	1	E2,E7
	740	-----	SOFT TAPE	NO SERVICE PART	2	E2

MODEL	MARK	MODEL	MARK	MODEL	MARK	MODEL	MARK
DNX7170DABS	E2	DNX8170DABS	E7	DNX874S	K1	DNX9170DABS	X1
DNX9170S	M1	DNX9170SM	M2	DNX994S	K0		

Safe	Symbol No.	Parts No.	Parts Name	Description	QTY	Local
	741	-----	SPACER(H)	NO SERVICE PART	2	
	742	-----	SHEET	NO SERVICE PART	1	E2,E7,K1,K0
	743	-----	CUSHION	NO SERVICE PART	1	E2,E7,K1,K0
	762	-----	SHEET	NO SERVICE PART	1	E7
	763	-----	SPACER	NO SERVICE PART	1	
	767	-----	CONDUCT CUSHION	NO SERVICE PART	1	E7
	768	-----	CONDUCT CUSHION	NO SERVICE PART	1	E7
	769	-----	LEAD PLATE	NO SERVICE PART	1	E7
	771	-----	SHEET	NO SERVICE PART	2	E7
	773	-----	SHEET	NO SERVICE PART	2	E7,K1,X1,M1,M2,K0
	774	-----	SHEET	NO SERVICE PART	2	E7,K1,X1,M1,M2,K0
	775	-----	HOLDER ASSY	NO SERVICE PART	1	E7,K1,X1,M1,M2,K0
	776	-----	SPACER	NO SERVICE PART	1	E7
	777	-----	M.HARDWARE	NO SERVICE PART	1	E7
	780	-----	SPACER	NO SERVICE PART	1	
	781	-----	SPACER	NO SERVICE PART	1	
	782	-----	CONDUCT CUSHION	NO SERVICE PART	2	
	783	-----	LEAD PLATE	NO SERVICE PART	2	E7
	784	-----	CONDUCT CUSHION	NO SERVICE PART	1	E2,E7,X1,M1,M2
	785	-----	HEAT SINK	NO SERVICE PART	1	E7
	786	-----	LEAD PLATE	NO SERVICE PART	1	E7
	787	-----	SPACER	NO SERVICE PART	1	E7
	790	-----	SPACER	NO SERVICE PART	1	E7
	792	-----	INS.SHEET	NO SERVICE PART	1	E7
	793	-----	SPACER	NO SERVICE PART	1	E7
	795	-----	CUSHION	NO SERVICE PART	1	E7
	796	-----	CONDUCT CUSHION	NO SERVICE PART	1	E7
	797	-----	CONDUCT CUSHION	NO SERVICE PART	1	E7
	798	-----	SHEET	NO SERVICE PART	1	E7
	799	-----	CUSHION	NO SERVICE PART	1	E7

# EXPLODED VIEW (PANEL MECHA ASSY)

Block No.M2MM



Parts with the exploded numbers larger than 800 are not supplied.

MODEL	MARK	MODEL	MARK	MODEL	MARK	MODEL	MARK
DNX7170DABS	E2	DNX8170DABS	E7	DNX874S	K1	DNX9170DABS	X1
DNX9170S	M1	DNX9170SM	M2	DNX994S	K0		

Safe	Symbol No.	Parts No.	Parts Name	Description	QTY	Local
------	------------	-----------	------------	-------------	-----	-------

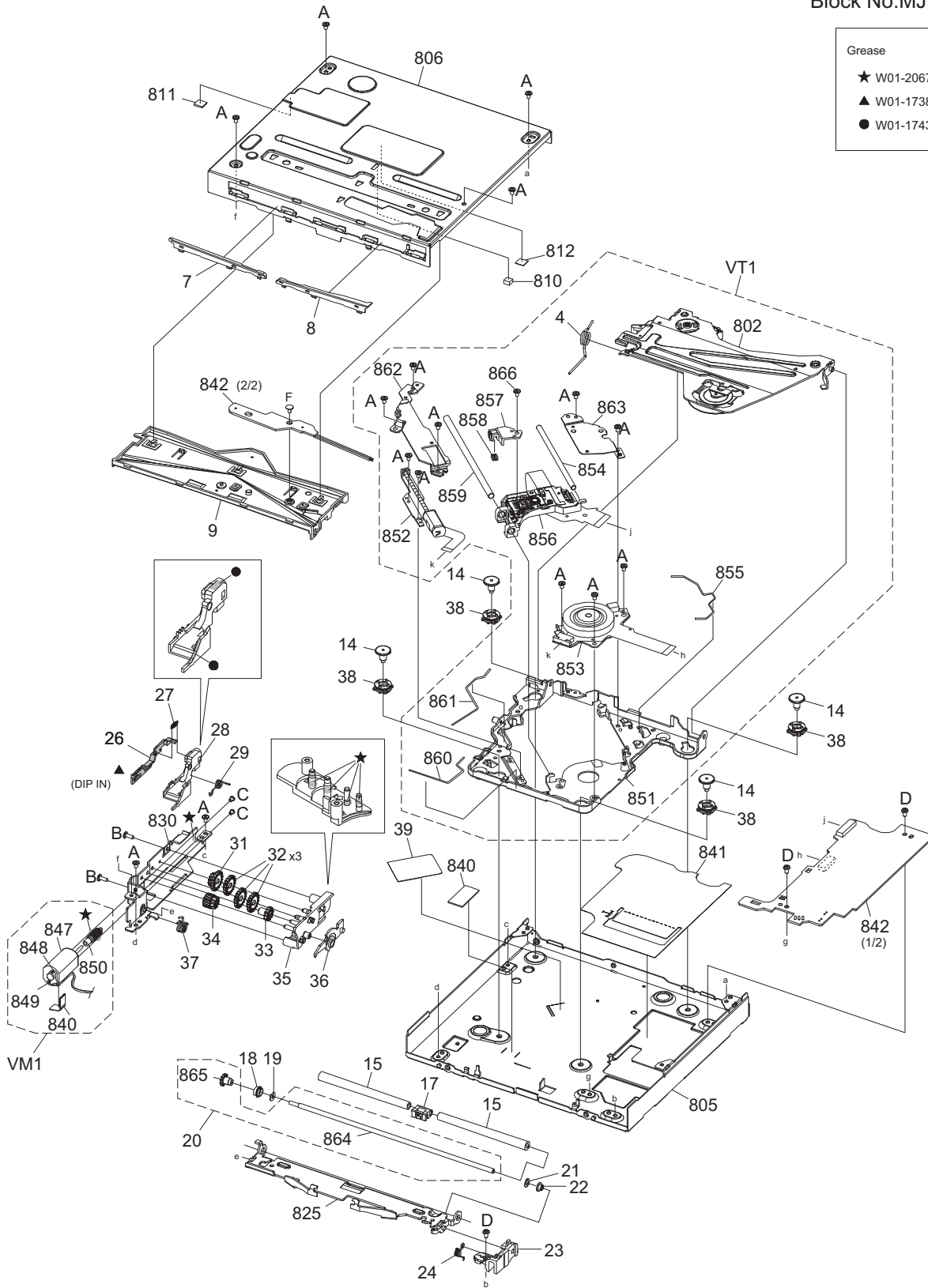
EXPLODED VIEW (PANEL MECHA ASSY) <M2MM>

PM1	T42-1368-04	MOTOR ASSY			1	
P	N09-6361-05	MACHINE SCREW	M2X2.5		6	
Q	N09-6363-05	MACHINE SCREW	M1.7X3.7		2	
R	N09-6375-05	MACHINE SCREW	M2X2.5		12	
S	N09-6376-05	MACHINE SCREW	M2X3.5		8	
T	N09-6377-05	MACHINE SCREW	M2X2.5		2	
U	N09-6378-05	TAPTITE SCREW	M2X2		2	
V	N09-6379-05	MACHINE SCREW	M2.6X4		4	
W	N19-2321-04	FLAT WASHER			5	
413	B09-0541-04	CAP			2	
418	D10-4895-32	SLIDER ASSY			1	
419	D10-4897-13	ARM ASSY			1	
420	D10-4899-03	LEVER			1	
421	D10-4900-03	LEVER			1	
423	D13-2394-04	GEAR			1	
424	D13-2395-04	GEAR			1	
425	D13-2396-04	GEAR			1	
426	D13-2397-03	RACK GEAR			1	
428	D14-1010-04	ROLLER			1	
429	D14-1011-14	ROLLER			2	
430	D19-0653-23	CLUTCH ASSY			1	
435	E39-1174-05	WIRING HARNESS			1	
454	G01-3288-04	TOR.COIL SPRING			1	
455	G01-3289-04	TOR.COIL SPRING			1	
456	G01-3290-04	EXTEN.SPRING			2	
457	G02-1539-04	FLAT SPRING			1	
459	G02-1544-04	FLAT SPRING			1	
460	G02-1545-04	FLAT SPRING			1	
472	J22-0444-13	MOUNTING ASSY			1	
482	J31-1075-14	COLLAR			2	
483	J31-1077-04	COLLAR			2	
486	J90-1126-13	GUIDE ASSY			1	
487	J90-1124-13	GUIDE ASSY			1	
488	J90-1128-03	RAIL			1	
489	J90-1129-23	RAIL			1	
490	J90-1130-23	RAIL			1	
491	J90-1131-03	GUIDE			1	
492	R31-0248-05	VARIABLE RESISTOR			1	
801	-----	CHAS.CALK.ASSY		NO SERVICE PART	1	
841	-----	SHEET		NO SERVICE PART	1	
866	-----	SHEET		NO SERVICE PART	2	

# EXPLODED VIEW (DVD MECHANISM: FD2-3A00NXN)

Block No.MJMM

Grease	
★	W01-2067-08
▲	W01-1738-08
●	W01-1743-08



Parts with the exploded numbers larger than 800 are not supplied.

MODEL	MARK	MODEL	MARK	MODEL	MARK	MODEL	MARK
DNX7170DABS	E2	DNX8170DABS	E7	DNX874S	K1	DNX9170DABS	X1
DNX9170S	M1	DNX9170SM	M2	DNX994S	K0		

Safe	Symbol No.	Parts No.	Parts Name	Description	QTY	Local
------	------------	-----------	------------	-------------	-----	-------

EXPLODED VIEW (DVD MECHANISM: FD2-3A00NXN) <MJMM>

VM1	CM-FD2-ALM	LOADING M ASSY		1	
VT1	CM-FD2-ATM2	TM ASSY		1	
A	LV44959-002A	SPECIAL SCREW		16	
B	LV45727-001A	GEAR SCREW		2	
C	QYSPSPU1425MA	SCREW	M1.4 x 2.5mm	2	
D	VKZ4539-054	MINI SCREW		3	
F	LV44586-001A	SPECIAL SCREW		1	
4	LV45709-002A	CLAMP SPRING		1	
7	LV23006-002A	GUIDE 2 L		1	
8	LV23007-002A	GUIDE 2 R		1	
9	LV11842-004A	DISC GUIDE		1	
14	LV45704-001A	DAMPER SHAFT		4	
15	LV45724-001A	RUBBER ROLLER		2	
17	LV37652-002A	SHAFT GUIDE		1	
18	LV39938-001A	GEAR RETAINER		1	
19	LV45730-001A	ROLLER C WASHER		1	
20	CM-FD2-AROS	RO SHAFT ASSY		1	
21	LV45731-001A	ROLLER WASHER		1	
22	LV45718-001A	ROLLER RETAINER		1	
23	LV23003-002A	ROLLER HOLDER		1	
24	LV45982-001A	ROLLER SPG R2		1	
26	LV39932-003A	TRIGGER SLIDER		1	
27	LV45715-001A	TRIGGER SPRING		1	
28	LV23004-004A	SLIDER		1	
29	LV39935-003A	SLIDER SPRING		1	
31	LV39929-001A	DRIVE GEAR 4		1	
32	LV39928-001A	DRIVE GEAR 3		3	
33	LV39927-001A	DRIVE GEAR 2		1	
34	LV39926-001A	DRIVE GEAR 1		1	
35	LV23005-001A	GEAR HOLDER		1	
36	LV39923-002A	UD LEVER		1	
37	LV45983-001A	ROLLER SPG L2		1	
38	LV39934-001A	DAMPER		4	
39	LV45719-001A	PU FPC SHEET		1	
802	-----	CLAMP ARM ASSY	NO SERVICE PART	1	
805	-----	BOTTOM CHASSIS	NO SERVICE PART	1	
806	-----	TOP CHASSIS	NO SERVICE PART	1	
810	-----	CLAMPER CUSHION	NO SERVICE PART	1	
811	-----	CL A CUSHION B	NO SERVICE PART	1	
812	-----	CL A CUSHION A	NO SERVICE PART	1	
825	-----	ROLLER ARM	NO SERVICE PART	1	
830	-----	GEAR BKT	NO SERVICE PART	1	
840	-----	SPACER(H)	NO SERVICE PART	2	
841	-----	BOTTOM SHEET	NO SERVICE PART	1	
842	-----	FE BOARD ASSY	NO SERVICE PART	1	
847	-----	LOADING MOTOR	NO SERVICE PART	1	
848	-----	SIN TWIST WIRE	NO SERVICE PART	1	
849	-----	SIN TWIST WIRE	NO SERVICE PART	1	
850	-----	WORM GEAR	NO SERVICE PART	1	
851	-----	TM CHASSIS ASSY	NO SERVICE PART	1	
852	-----	FEED MOTOR	NO SERVICE PART	1	
853	-----	SPINDLE MOTOR	NO SERVICE PART	1	
854	-----	SUB SHAFT	NO SERVICE PART	1	
855	-----	SUB SHAFT SP	NO SERVICE PART	1	
856	-----	PICK UP	NO SERVICE PART	1	
857	-----	PICKUP ARM	NO SERVICE PART	1	
858	-----	PICKUP ARM SP	NO SERVICE PART	1	
859	-----	SHAFT	NO SERVICE PART	1	
860	-----	MAIN SHAFT SP 2	NO SERVICE PART	1	
861	-----	MAIN SHAFT SP	NO SERVICE PART	1	
862	-----	TM COVER MAIN	NO SERVICE PART	1	
863	-----	TM COVER SUB	NO SERVICE PART	1	
864	-----	ROLLER SHAFT	NO SERVICE PART	1	
865	-----	ROLLER GEAR	NO SERVICE PART	1	
866	-----	SCREW	NO SERVICE PART	1	

MODEL	MARK	MODEL	MARK	MODEL	MARK	MODEL	MARK
DNX7170DABS	E2	DNX8170DABS	E7	DNX874S	K1	DNX9170DABS	X1
DNX9170S	M1	DNX9170SM	M2	DNX994S	K0		

Safe	Symbol No.	Parts No.	Parts Name	Description	QTY	Local
<b>MAIN PWB ASSY(XJ1-191x-0x) &lt;XJ1&gt;</b>						
	IC31	MP9943AGQ	ANALOG IC		1	
	IC51	MP9943AGQ	ANALOG IC		1	
	IC52	TC7SH08FUJF	MOS IC		1	
	IC71	MP9942AGJ	ANALOG IC		1	E2,E7
	IC91	MP9942AGJ	ANALOG IC		1	
	IC92	TC7SH08FUJF	MOS IC		1	
	IC110	BA2904WV	ANALOG IC		1	
	IC131	MP9942AGJ	ANALOG IC		1	
	IC132	TC7SH08FUJF	MOS IC		1	
	IC150	BA2904WV	ANALOG IC		1	
	IC201	NJM2819ADL333	BIPOLAR IC		1	
	IC205	XC6223B331PG-X	IC		1	
	IC206	BD2222G-G	MOS IC		1	E2,E7
	IC207	BD00C0AWFP	MOS IC		1	
	IC301	W3F-0289-00	MCU IC		1	
	IC302	XC6120N282N-G	MOS IC		1	
	IC303	TC7SH08FUJF	MOS IC		1	
	IC304	BR24T32FVT-W	ROM IC		1	
	IC305	NJU7108F3	MOS IC		1	
	IC307	TC7SH08FUJF	MOS IC		1	E2,E7,X1,M1,M2
	IC501	AK7738VQ	MOS IC		1	
	IC502	AK4388AET-X	IC		1	
	IC503	AK4388AET-X	IC		1	
	IC506	AK4388AET-X	IC		1	
	IC507	XC6209B502PG-X	IC		1	
	IC508	BU33TD3WG	MOS IC		1	
	IC601	NJM4580CV	ANALOG IC		1	
	IC602	NJM2871BF05	ANALOG IC		1	
	IC721	TC7SH08FUJF	MOS IC		1	
	IC722	TC7SZ125FUF	MOS IC		1	
	IC731	TC7SH08FUJF	MOS IC		1	K1,K0
	IC732	TC7SZ125FUF	MOS IC		1	K1,K0
	IC871	NJW1341VC3-W	IC		1	
	IC872	XC6209B502PG-X	IC		1	
	IC921	NJG1143UA2-W	IC		1	
	IC922	XC6213B332N-G	MOS IC		1	
	IC923	BU18TD3WG	MOS IC		1	
	IC951	BD00KA5WFP-X	SV-ANALOGUE IC		1	
	Q1	MTM98140-X	TRANSISTOR		1	
	Q3	LTC014YEBFS8	DIGI TRANSISTOR		1	
	Q4	LSCR523EBFS8	TRANSISTOR		1	
	Q5	LSAR523EBFS8	TRANSISTOR		1	
	Q6	LTA014TUBFS8	DIGI TRANSISTOR		1	
	Q7	LSCR523EBFS8	TRANSISTOR		1	
	Q8	LSAR523EBFS8	TRANSISTOR		1	
	Q9	LTC014YEBFS8	DIGI TRANSISTOR		1	
	Q10	LTC014YEBFS8	DIGI TRANSISTOR		1	
	Q11	LSCR523EBFS8	TRANSISTOR		1	
	Q12	LSAR523EBFS8	TRANSISTOR		1	
	Q51	LTC044EEBFS8	DIGI TRANSISTOR		1	
	Q52	LTA014YEBFS8	DIGI TRANSISTOR		1	
	Q110	LTC044EEBFS8	DIGI TRANSISTOR		1	
	Q111	LTC044EEBFS8	DIGI TRANSISTOR		1	
	Q112	LSCR523EBFS8	TRANSISTOR		1	
	Q113	LSAR523EBFS8	TRANSISTOR		1	
	Q114	LTC014YEBFS8	DIGI TRANSISTOR		1	
	Q115	LTC014YEBFS8	DIGI TRANSISTOR		1	
	Q116	LTC044EEBFS8	DIGI TRANSISTOR		1	
	Q117	LTA014YEBFS8	DIGI TRANSISTOR		1	
	Q150	LTC044EEBFS8	DIGI TRANSISTOR		1	
	Q151	LTC044EEBFS8	DIGI TRANSISTOR		1	
	Q152	LSCR523EBFS8	TRANSISTOR		1	
	Q153	LSAR523EBFS8	TRANSISTOR		1	
	Q154	LTC014YEBFS8	DIGI TRANSISTOR		1	
	Q155	LTC014YEBFS8	DIGI TRANSISTOR		1	
	Q156	LTC044EEBFS8	DIGI TRANSISTOR		1	
	Q157	LTA014YEBFS8	DIGI TRANSISTOR		1	
	Q301	2SB1689-X	TRANSISTOR		1	
	Q302	LTC014YEBFS8	DIGI TRANSISTOR		1	
	Q303	LSAR523EBFS8	TRANSISTOR		1	
	Q304	LSAR523EBFS8	TRANSISTOR		1	
	Q305	LTC044EEBFS8	DIGI TRANSISTOR		1	
	Q306	LTC014YEBFS8	DIGI TRANSISTOR		1	
	Q307	LTC014YEBFS8	DIGI TRANSISTOR		1	
	Q308	LTA014YEBFS8	DIGI TRANSISTOR		1	E7
	Q309	LTA014YEBFS8	DIGI TRANSISTOR		1	E7
	Q312	LTA014TEB-X	DIGI TRANSISTOR		1	
	Q313	LTC014EEBFS8	DIGI TRANSISTOR		1	
	Q314	LTC014EEBFS8	DIGI TRANSISTOR		1	
	Q315	LTC014YEBFS8	DIGI TRANSISTOR		1	
	Q316	LTC014YEBFS8	DIGI TRANSISTOR		1	
	Q317	LSCR523EBFS8	TRANSISTOR		1	
	Q318	LSAR523EBFS8	TRANSISTOR		1	
	Q319	LTC014YEBFS8	DIGI TRANSISTOR		1	
	Q501	LTC014YEBFS8	DIGI TRANSISTOR		1	
	Q502	LTC014YEBFS8	DIGI TRANSISTOR		1	
	Q801	RE1C002ZP	FET		1	E2,E7,X1,M1,M2
	Q802	RE1C002ZP	FET		1	E2,E7,X1,M1,M2
	Q803	LTC014YEBFS8	DIGI TRANSISTOR		1	E2,E7,X1,M1,M2
	Q921	LTC014YEBFS8	DIGI TRANSISTOR		1	

MODEL	MARK	MODEL	MARK	MODEL	MARK	MODEL	MARK
DNX7170DABS	E2	DNX8170DABS	E7	DNX874S	K1	DNX9170DABS	X1
DNX9170S	M1	DNX9170SM	M2	DNX994S	K0		

Safe	Symbol No.	Parts No.	Parts Name	Description	QTY	Local
	Q922	LTC014YEBFS8	DIGI TRANSISTOR		1	
	D1	RB080L-30-X	SB DIODE		1	
	D2	DA2J101	DIODE		1	
	D3	DZ2J160M	ZENER DIODE		1	
	D5	DZ2J062M	ZENER DIODE		1	
	D6	DZ2J062M	ZENER DIODE		1	
	D201	GS1J-LTP	DIODE		1	
	D202	DA2J101	DIODE		1	
	D301	DA2J101	DIODE		1	
	D601	DZ2J110M	ZENER DIODE		1	
	D602	DZ2J110M	ZENER DIODE		1	
	D603	DA2J101	DIODE		1	
	D721	DZ2J056M	ZENER DIODE		1	
	D722	DZ2J056M	ZENER DIODE		1	
	D732	DZ2J056M	ZENER DIODE		1	K1,K0
	D733	DZ2J056M	ZENER DIODE		1	K1,K0
	D734	DA2J101	DIODE		1	K1,K0
	D801	MC2848-X	SI DIODE		1	E2,E7,X1,M1,M2
	D921	DA2J101	DIODE		1	
	D951	DA2J101	DIODE		1	
	C1	CK73GXR1H104K	C CAPACITOR	0.1uF 50V K	1	
	C2	CK73GXR1H104K	C CAPACITOR	0.1uF 50V K	1	
	C4	CK73GXR1H104K	C CAPACITOR	0.1uF 50V K	1	
	C7	CD040CP1C222M	E CAPACITOR	2200uF 16V M	1	
	C31	CK73GXR1H104K	C CAPACITOR	0.1uF 50V K	1	
	C32	CK73HBB1E103K	C CAPACITOR	0.01uF 25V K	1	
	C33	CK73EXR1E106K	C CAPACITOR	10uF 25V K	1	
	C34	CK73EXR1E106K	C CAPACITOR	10uF 25V K	1	
	C35	CK73GXR1H104K	C CAPACITOR	0.1uF 50V K	1	
	C36	CK73HBB1E103K	C CAPACITOR	0.01uF 25V K	1	
	C37	CK73HBB1C104K	C CAPACITOR	0.1uF 16V K	1	
	C38	CK73HBB1C104K	C CAPACITOR	0.1uF 16V K	1	
	C40	CC73HCH1H560J	C CAPACITOR	56pF 50V J	1	
	C41	CK730BY1A476K	C CAPACITOR	47uF 10V K	1	
	C43	CK73HBB1C104K	C CAPACITOR	0.1uF 16V K	1	
	C44	CK73HBB1E103K	C CAPACITOR	0.01uF 25V K	1	
	C48	CC73HCH1H220J	C CAPACITOR	22pF 50V J	1	
	C51	CK73GXR1H104K	C CAPACITOR	0.1uF 50V K	1	
	C52	CK73HBB1E103K	C CAPACITOR	0.01uF 25V K	1	
	C53	CK73EXR1E106K	C CAPACITOR	10uF 25V K	1	
	C54	CK73EXR1E106K	C CAPACITOR	10uF 25V K	1	
	C55	CK73GXR1H104K	C CAPACITOR	0.1uF 50V K	1	
	C56	CK73HBB1E103K	C CAPACITOR	0.01uF 25V K	1	
	C57	CK73HBB1C104K	C CAPACITOR	0.1uF 16V K	1	
	C58	CK73HBB1C104K	C CAPACITOR	0.1uF 16V K	1	
	C60	CC73HCH1H560J	C CAPACITOR	56pF 50V J	1	
	C61	CK730BY1A476K	C CAPACITOR	47uF 10V K	1	
	C63	CK73HBB1C104K	C CAPACITOR	0.1uF 16V K	1	
	C64	CK73HBB1E103K	C CAPACITOR	0.01uF 25V K	1	
	C65	CC73HCH1H050C	C CAPACITOR	5pF 50V C	1	
	C66	CC73HCH1H050C	C CAPACITOR	5pF 50V C	1	
	C69	CK73HBB1H102K	C CAPACITOR	1000pF 50V K	1	
	C70	CK73HBB1E103K	C CAPACITOR	0.01uF 25V K	1	
	C71	CK73GXR1H104K	C CAPACITOR	0.1uF 50V K	1	E2,E7
	C72	CK73HBB1E103K	C CAPACITOR	0.01uF 25V K	1	E2,E7
	C73	CK73EXR1E106K	C CAPACITOR	10uF 25V K	1	E2,E7
	C74	CK73EXR1E106K	C CAPACITOR	10uF 25V K	1	E2,E7
	C75	CK73GXR1H104K	C CAPACITOR	0.1uF 50V K	1	E2,E7
	C76	CK73HBB1E103K	C CAPACITOR	0.01uF 25V K	1	E2,E7
	C77	CK73HBB1C104K	C CAPACITOR	0.1uF 16V K	1	E2,E7
	C78	CK73HBB1C104K	C CAPACITOR	0.1uF 16V K	1	E2,E7
	C80	CC73HCH1H560J	C CAPACITOR	56pF 50V J	1	E2,E7
	C81	CK730BY1A476K	C CAPACITOR	47uF 10V K	1	E2,E7
	C83	CK73HBB1C104K	C CAPACITOR	0.1uF 16V K	1	E2,E7
	C84	CK73HBB1E103K	C CAPACITOR	0.01uF 25V K	1	E2,E7
	C85	CC73HCH1H220J	C CAPACITOR	22pF 50V J	1	E2,E7
	C91	CK73GXR1H104K	C CAPACITOR	0.1uF 50V K	1	
	C92	CK73HBB1E103K	C CAPACITOR	0.01uF 25V K	1	
	C93	CK73EXR1E106K	C CAPACITOR	10uF 25V K	1	
	C94	CK73EXR1E106K	C CAPACITOR	10uF 25V K	1	
	C95	CK73GXR1H104K	C CAPACITOR	0.1uF 50V K	1	
	C96	CK73HBB1E103K	C CAPACITOR	0.01uF 25V K	1	
	C97	CK73HBB1C104K	C CAPACITOR	0.1uF 16V K	1	
	C98	CK73HBB1C104K	C CAPACITOR	0.1uF 16V K	1	
	C100	CC73HCH1H560J	C CAPACITOR	56pF 50V J	1	
	C101	CK730BY1A476K	C CAPACITOR	47uF 10V K	1	
	C103	CK73HBB1C104K	C CAPACITOR	0.1uF 16V K	1	
	C104	CK73HBB1E103K	C CAPACITOR	0.01uF 25V K	1	
	C105	CK73HBB1E103K	C CAPACITOR	0.01uF 25V K	1	
	C110	CK73HBB1C104K	C CAPACITOR	0.1uF 16V K	1	
	C111	CK73HBB1C104K	C CAPACITOR	0.1uF 16V K	1	
	C112	CK73HBB1C104K	C CAPACITOR	0.1uF 16V K	1	
	C113	CK73HBB1C104K	C CAPACITOR	0.1uF 16V K	1	
	C114	CK73HBB1H102K	C CAPACITOR	1000pF 50V K	1	
	C131	CK73GXR1H104K	C CAPACITOR	0.1uF 50V K	1	
	C132	CK73HBB1E103K	C CAPACITOR	0.01uF 25V K	1	
	C133	CK73EXR1E106K	C CAPACITOR	10uF 25V K	1	
	C134	CK73EXR1E106K	C CAPACITOR	10uF 25V K	1	
	C135	CK73GXR1H104K	C CAPACITOR	0.1uF 50V K	1	

MODEL	MARK	MODEL	MARK	MODEL	MARK	MODEL	MARK
DNX7170DABS	E2	DNX8170DABS	E7	DNX874S	K1	DNX9170DABS	X1
DNX9170S	M1	DNX9170SM	M2	DNX994S	K0		

Safe	Symbol No.	Parts No.	Parts Name	Description	QTY	Local
	C136	CK73HBB1E103K	C CAPACITOR	0.01uF 25V K	1	
	C137	CK73HBB1C104K	C CAPACITOR	0.1uF 16V K	1	
	C138	CK73HBB1C104K	C CAPACITOR	0.1uF 16V K	1	
	C140	CC73HCH1H560J	C CAPACITOR	56pF 50V J	1	
	C141	CK730BY1A476K	C CAPACITOR	47uF 10V K	1	
	C143	CK73HBB1C104K	C CAPACITOR	0.1uF 16V K	1	
	C144	CK73HBB1E103K	C CAPACITOR	0.01uF 25V K	1	
	C145	CK73HBB1E103K	C CAPACITOR	0.01uF 25V K	1	
	C150	CK73HBB1C104K	C CAPACITOR	0.1uF 16V K	1	
	C151	CK73HBB1C104K	C CAPACITOR	0.1uF 16V K	1	
	C152	CK73HBB1C104K	C CAPACITOR	0.1uF 16V K	1	
	C153	CK73HBB1C104K	C CAPACITOR	0.1uF 16V K	1	
	C154	CK73HBB1H102K	C CAPACITOR	1000pF 50V K	1	
	C201	CK73FXR1C106K	C CAPACITOR	10uF 16V K	1	
	C202	CK73GXR0J106M	C CAPACITOR	10uF 6.3V M	1	
	C203	CK73FXR1C106K	C CAPACITOR	10uF 16V K	1	
	C210	CK73GXR1C105K	C CAPACITOR	1uF 16V K	1	
	C211	CK73GXR1C105K	C CAPACITOR	1uF 16V K	1	
	C212	CK73GXR1C105K	C CAPACITOR	1uF 16V K	1	E2,E7
	C213	CK73FXR1C106K	C CAPACITOR	10uF 16V K	1	E2,E7
	C214	CK73HBB1E103K	C CAPACITOR	0.01uF 25V K	1	E2,E7
	C215	CK73EXR1E106K	C CAPACITOR	10uF 25V K	1	
	C216	CK73FXR1C106K	C CAPACITOR	10uF 16V K	1	
	C251	CK730BY1A476K	C CAPACITOR	47uF 10V K	1	
	C252	CK730BY1A476K	C CAPACITOR	47uF 10V K	1	
	C253	CK730BY1A476K	C CAPACITOR	47uF 10V K	1	
	C254	CK73HBB1E103K	C CAPACITOR	0.01uF 25V K	1	
	C255	CK730BY1A476K	C CAPACITOR	47uF 10V K	1	
	C256	CK730BY1A476K	C CAPACITOR	47uF 10V K	1	
	C257	CK730BY1A476K	C CAPACITOR	47uF 10V K	1	
	C258	CK73HBB1E103K	C CAPACITOR	0.01uF 25V K	1	
	C261	CK730BY1A476K	C CAPACITOR	47uF 10V K	1	
	C262	CK73HBB1C104K	C CAPACITOR	0.1uF 16V K	1	
	C263	CK73GXR0J106M	C CAPACITOR	10uF 6.3V M	1	
	C301	CC73HCH1H331J	C CAPACITOR	330pF 50V J	1	
	C302	CC73HCH1H331J	C CAPACITOR	330pF 50V J	1	
	C303	NEZ0065-227X	E CAPACITOR	220uF	1	
	C304	NEZ0065-227X	E CAPACITOR	220uF	1	
	C305	CK73GXR0J106M	C CAPACITOR	10uF 6.3V M	1	
	C306	CK73HBB1H222K	C CAPACITOR	2200pF 50V K	1	
	C307	CK73HXR0J105K	C CAPACITOR	1uF 6.3V K	1	
	C308	CK73HXR0J105K	C CAPACITOR	1uF 6.3V K	1	
	C309	CC73HCH1H330J	C CAPACITOR	33pF 50V J	1	
	C310	CC73HCH1H040C	C CAPACITOR	4pF 50V C	1	
	C311	CC73HCH1H080D	C CAPACITOR	8pF 50V D	1	
	C312	CC73HCH1H080D	C CAPACITOR	8pF 50V D	1	
	C313	CK73HBB1C104K	C CAPACITOR	0.1uF 16V K	1	
	C314	CK73HBB1C104K	C CAPACITOR	0.1uF 16V K	1	
	C315	CK73HXR0J105K	C CAPACITOR	1uF 6.3V K	1	
	C316	CK73HBB1C104K	C CAPACITOR	0.1uF 16V K	1	
	C317	CK73HBB1C104K	C CAPACITOR	0.1uF 16V K	1	
	C318	CK73HBB1C104K	C CAPACITOR	0.1uF 16V K	1	
	C319	CK73HBB1C104K	C CAPACITOR	0.1uF 16V K	1	
	C320	CK73HBB1E103K	C CAPACITOR	0.01uF 25V K	1	
	C321	CK73HBB1E103K	C CAPACITOR	0.01uF 25V K	1	
	C322	CK73HBB1C104K	C CAPACITOR	0.1uF 16V K	1	
	C324	CK73HBB1E103K	C CAPACITOR	0.01uF 25V K	1	
	C327	CK73HBB1E103K	C CAPACITOR	0.01uF 25V K	1	
	C328	CK73HBB1E103K	C CAPACITOR	0.01uF 25V K	1	
	C329	CK73HBB1E103K	C CAPACITOR	0.01uF 25V K	1	
	C330	CK73HBB1E103K	C CAPACITOR	0.01uF 25V K	1	
	C331	CK73HBB1E103K	C CAPACITOR	0.01uF 25V K	1	
	C332	CK73HBB1E103K	C CAPACITOR	0.01uF 25V K	1	
	C335	CK73HBB1E103K	C CAPACITOR	0.01uF 25V K	1	E2,E7,X1,M1,M2
	C339	CK73HBB1E103K	C CAPACITOR	0.01uF 25V K	1	
	C340	CK730BY1A476K	C CAPACITOR	47uF 10V K	1	
	C341	CK730BY1A476K	C CAPACITOR	47uF 10V K	1	
	C342	CK730BY1A476K	C CAPACITOR	47uF 10V K	1	
	C343	CK73HBB1C104K	C CAPACITOR	0.1uF 16V K	1	
	C344	CK730BY1A476K	C CAPACITOR	47uF 10V K	1	
	C345	CK730BY1A476K	C CAPACITOR	47uF 10V K	1	
	C346	CK730BY1A476K	C CAPACITOR	47uF 10V K	1	
	C501	CK73HBB1H222K	C CAPACITOR	2200pF 50V K	1	
	C502	CK73HBB1H222K	C CAPACITOR	2200pF 50V K	1	
	C503	CK73HBB1H222K	C CAPACITOR	2200pF 50V K	1	
	C504	CK73HBB1H222K	C CAPACITOR	2200pF 50V K	1	
	C505	CK73GXR1C105K	C CAPACITOR	1uF 16V K	1	
	C506	CK73HXR0J105K	C CAPACITOR	1uF 6.3V K	1	
	C507	CK73GXR1C105K	C CAPACITOR	1uF 16V K	1	
	C512	CK73HBB1H222K	C CAPACITOR	2200pF 50V K	1	
	C513	CK73HBB1H222K	C CAPACITOR	2200pF 50V K	1	
	C514	CK73HBB1H222K	C CAPACITOR	2200pF 50V K	1	
	C515	CK73HBB1H222K	C CAPACITOR	2200pF 50V K	1	
	C520	CK73HBB1C104K	C CAPACITOR	0.1uF 16V K	1	
	C521	CK73GXR0J106M	C CAPACITOR	10uF 6.3V M	1	
	C522	CK73FXR1C106K	C CAPACITOR	10uF 16V K	1	
	C523	CK73HBB1H222K	C CAPACITOR	2200pF 50V K	1	
	C524	CK73HBB1H222K	C CAPACITOR	2200pF 50V K	1	
	C525	CK73HBB1H222K	C CAPACITOR	2200pF 50V K	1	
	C526	CK73HBB1H222K	C CAPACITOR	2200pF 50V K	1	
	C527	CK73HBB1C104K	C CAPACITOR	0.1uF 16V K	1	
	C528	CK73FXR1C106K	C CAPACITOR	10uF 16V K	1	

MODEL	MARK	MODEL	MARK	MODEL	MARK	MODEL	MARK
DNX7170DABS	E2	DNX8170DABS	E7	DNX874S	K1	DNX9170DABS	X1
DNX9170S	M1	DNX9170SM	M2	DNX994S	K0		

Safe	Symbol No.	Parts No.	Parts Name	Description	QTY	Local
	C529	CK73GXR1C105K	C CAPACITOR	1uF 16V K	1	
	C530	CK73HBB1C104K	C CAPACITOR	0.1uF 16V K	1	
	C531	CK73FXR1C106K	C CAPACITOR	10uF 16V K	1	
	C532	CK73HBB1C104K	C CAPACITOR	0.1uF 16V K	1	
	C533	CK73FXR1C106K	C CAPACITOR	10uF 16V K	1	
	C534	CK73GXR0J225K	C CAPACITOR	2.2uF 6.3V K	1	
	C535	CK73HBB1C104K	C CAPACITOR	0.1uF 16V K	1	
	C536	CK73FXR1C106K	C CAPACITOR	10uF 16V K	1	
	C537	CK73HBB1C104K	C CAPACITOR	0.1uF 16V K	1	
	C538	CK73FXR1C106K	C CAPACITOR	10uF 16V K	1	
	C539	CK73HBB1C104K	C CAPACITOR	0.1uF 16V K	1	
	C540	CK73FXR1C106K	C CAPACITOR	10uF 16V K	1	
	C541	CK73GXR0J225K	C CAPACITOR	2.2uF 6.3V K	1	
	C542	CK73HBB1C104K	C CAPACITOR	0.1uF 16V K	1	
	C543	CK73FXR1C106K	C CAPACITOR	10uF 16V K	1	
	C544	CK73HBB1C104K	C CAPACITOR	0.1uF 16V K	1	
	C545	CK73HBB1C104K	C CAPACITOR	0.1uF 16V K	1	
	C549	CC73HCH1H120J	C CAPACITOR	12pF 50V J	1	
	C550	CC73HCH1H120J	C CAPACITOR	12pF 50V J	1	
	C551	CK73GXR0J106M	C CAPACITOR	10uF 6.3V M	1	
	C552	CK73FXR1C106K	C CAPACITOR	10uF 16V K	1	
	C553	CK73HBB1C104K	C CAPACITOR	0.1uF 16V K	1	
	C554	CK73GXR0J106M	C CAPACITOR	10uF 6.3V M	1	
	C558	CK73HBB1H332K	C CAPACITOR	3300pF 50V K	1	
	C559	CK73HBB1H332K	C CAPACITOR	3300pF 50V K	1	
	C560	CK73HBB1H332K	C CAPACITOR	3300pF 50V K	1	
	C561	CK73HBB1H222K	C CAPACITOR	2200pF 50V K	1	
	C562	CK73HBB1H222K	C CAPACITOR	2200pF 50V K	1	
	C563	CK73HBB1H222K	C CAPACITOR	2200pF 50V K	1	
	C564	CK73HBB1H222K	C CAPACITOR	2200pF 50V K	1	
	C565	CK73HBB1H222K	C CAPACITOR	2200pF 50V K	1	
	C566	CK73HBB1H222K	C CAPACITOR	2200pF 50V K	1	
	C567	CK73HBB1H222K	C CAPACITOR	2200pF 50V K	1	
	C568	CK73HBB1H222K	C CAPACITOR	2200pF 50V K	1	
	C569	CK73GXR1E474K	C CAPACITOR	0.47uF 25V K	1	
	C571	CK73GXR0J106M	C CAPACITOR	10uF 6.3V M	1	
	C601	CK73HBB1E103K	C CAPACITOR	0.01uF 25V K	1	E7
	C602	CK73HBB1E103K	C CAPACITOR	0.01uF 25V K	1	E7
	C603	CK73HBB1H102K	C CAPACITOR	1000pF 50V K	1	
	C605	CK73GXR1C105K	C CAPACITOR	1uF 16V K	1	
	C606	CK73GXR1C105K	C CAPACITOR	1uF 16V K	1	
	C607	CC73HCH1H220J	C CAPACITOR	22pF 50V J	1	
	C609	CC73HCH1H220J	C CAPACITOR	22pF 50V J	1	
	C611	CK73HBB1C104K	C CAPACITOR	0.1uF 16V K	1	
	C613	CK730BY1A476K	C CAPACITOR	47uF 10V K	1	
	C615	CK73HBB1A683K	C CAPACITOR	0.068uF 10V K	1	
	C616	CK73HBB1A683K	C CAPACITOR	0.068uF 10V K	1	
	C617	CK730BY1A476K	C CAPACITOR	47uF 10V K	1	
	C620	CK73HBB1H102K	C CAPACITOR	1000pF 50V K	1	
	C621	CK73GXR1C105K	C CAPACITOR	1uF 16V K	1	
	C622	CK73GXR1C105K	C CAPACITOR	1uF 16V K	1	
	C721	CK73HBB1E103K	C CAPACITOR	0.01uF 25V K	1	
	C722	CK73HBB1E103K	C CAPACITOR	0.01uF 25V K	1	
	C734	CK73GXR1H104K	C CAPACITOR	0.1uF 50V K	1	K1,K0
	C736	CK73HBB1E103K	C CAPACITOR	0.01uF 25V K	1	K1,K0
	C737	CK73HBB1E103K	C CAPACITOR	0.01uF 25V K	1	K1,K0
	C751	NEZ0068-227X	AS E CAPACITOR	220uF	1	
	C752	CK73HBB1C104K	C CAPACITOR	0.1uF 16V K	1	
	C753	CK73HBB1E103K	C CAPACITOR	0.01uF 25V K	1	
	C760	CK73HBB1E223K	C CAPACITOR	0.022uF 25V K	1	
	C761	CK73FXR0J226M	C CAPACITOR	22uF 6.3V M	1	
	C791	CK73HBB1H102K	C CAPACITOR	1000pF 50V K	1	
	C792	CK73HBB1H102K	C CAPACITOR	1000pF 50V K	1	
	C793	CK73HBB1E223K	C CAPACITOR	0.022uF 25V K	1	
	C794	CC73HCH1H221J	C CAPACITOR	220pF 50V J	1	
	C795	CC73HCH1H221J	C CAPACITOR	220pF 50V J	1	
	C801	CK73HBB1H102K	C CAPACITOR	1000pF 50V K	1	E2,E7,X1,M1,M2
	C832	CK73FXR0J226M	C CAPACITOR	22uF 6.3V M	1	
	C833	CK73GXR1E224K	C CAPACITOR	0.022uF 25V K	1	
	C879	CK73GXR1C105K	C CAPACITOR	1uF 16V K	1	
	C881	CK73HXR0J105K	C CAPACITOR	1uF 6.3V K	1	
	C882	CK73HXR0J105K	C CAPACITOR	1uF 6.3V K	1	
	C884	CK73HXR0J105K	C CAPACITOR	1uF 6.3V K	1	
	C885	CK73GXR1C105K	C CAPACITOR	1uF 16V K	1	
	C887	CK73HXR0J105K	C CAPACITOR	1uF 6.3V K	1	
	C888	CK73HXR0J105K	C CAPACITOR	1uF 6.3V K	1	
	C890	CK73HBB1C104K	C CAPACITOR	0.1uF 16V K	1	
	C891	CK73HXR0J105K	C CAPACITOR	1uF 6.3V K	1	
	C892	CE32BJ1C470M	E CAPACITOR	47uF 16V M	1	
	C893	CK73HBB1C104K	C CAPACITOR	0.1uF 16V K	1	
	C895	CK73HXR0J105K	C CAPACITOR	1uF 6.3V K	1	
	C896	CK73HXR0J105K	C CAPACITOR	1uF 6.3V K	1	
	C897	CK73HXR0J105K	C CAPACITOR	1uF 6.3V K	1	
	C898	CK73FXR1C106K	C CAPACITOR	10uF 16V K	1	
	C899	CK73GXR1C105K	C CAPACITOR	1uF 16V K	1	
	C921	CK73GXR1E474K	C CAPACITOR	0.47uF 25V K	1	
	C922	CK73HBB1E103K	C CAPACITOR	0.01uF 25V K	1	
	C923	CC73HCH1H470J	C CAPACITOR	47pF 50V J	1	
	C924	NDCA1HG-2R7W	C CAPACITOR	2.7pF 50V G	1	
	C925	CK73HXR0J105K	C CAPACITOR	1uF 6.3V K	1	

MODEL	MARK	MODEL	MARK	MODEL	MARK	MODEL	MARK
DNX7170DABS	E2	DNX8170DABS	E7	DNX874S	K1	DNX9170DABS	X1
DNX9170S	M1	DNX9170SM	M2	DNX994S	K0		

Safe	Symbol No.	Parts No.	Parts Name	Description	QTY	Local
	C926	CK73GXR1C105K	C CAPACITOR	1uF 16V K	1	
	C927	CK73HXR0J105K	C CAPACITOR	1uF 6.3V K	1	
	C928	CC73HCH1H100D	C CAPACITOR	10pF 50V D	1	
	C929	CK73HBB1H102K	C CAPACITOR	1000pF 50V K	1	
	C930	CK73GXR1E474K	C CAPACITOR	0.47uF 25V K	1	
	C931	CK73GXR0J225K	C CAPACITOR	2.2uF 6.3V K	1	
	C932	CK73HXR0J105K	C CAPACITOR	1uF 6.3V K	1	
	C933	CK73HXR0J105K	C CAPACITOR	1uF 6.3V K	1	
	C934	CK73HXR0J105K	C CAPACITOR	1uF 6.3V K	1	
	C935	CK73HBB1H102K	C CAPACITOR	1000pF 50V K	1	
	C936	CC73HCH1H070D	C CAPACITOR	7pF 50V D	1	
	C937	CC73HCH1H070D	C CAPACITOR	7pF 50V D	1	
	C938	CK73HXR0J105K	C CAPACITOR	1uF 6.3V K	1	
	C939	CC73HCH1H020C	C CAPACITOR	2pF 50V C	1	
	C940	CK73HXR0J105K	C CAPACITOR	1uF 6.3V K	1	
	C951	CK73GXR1C105K	C CAPACITOR	1uF 16V K	1	
	C952	CK73GXR0J475K	C CAPACITOR	4.7uF 6.3V K	1	
	C953	CK73GXR0J475K	C CAPACITOR	4.7uF 6.3V K	1	X1,M1,M2
	C954	CK73HBB1C104K	C CAPACITOR	0.1uF 16V K	1	X1,M1,M2
	C955	CC73HCH1H470J	C CAPACITOR	47pF 50V J	1	X1,M1,M2
	C956	CC73HCH1H470J	C CAPACITOR	47pF 50V J	1	X1,M1,M2
	C957	CC73HCH1H020C	C CAPACITOR	2pF 50V C	1	X1,M1,M2
	C958	CC73HCH1H040C	C CAPACITOR	4pF 50V C	1	X1,M1,M2
	C960	CC73HCH1H470J	C CAPACITOR	47pF 50V J	1	X1,M1,M2
	C961	CC73HCH1H470J	C CAPACITOR	47pF 50V J	1	X1,M1,M2
	C962	CC73HCH1H470J	C CAPACITOR	47pF 50V J	1	X1,M1,M2
	C963	CC73HCH1H470J	C CAPACITOR	47pF 50V J	1	X1,M1,M2
	C964	CC73HCH1H470J	C CAPACITOR	47pF 50V J	1	X1,M1,M2
	C965	CC73HCH1H470J	C CAPACITOR	47pF 50V J	1	X1,M1,M2
	C966	CC73HCH1H470J	C CAPACITOR	47pF 50V J	1	X1,M1,M2
	C967	CC73HCH1H470J	C CAPACITOR	47pF 50V J	1	X1,M1,M2
	C968	CC73HCH1H470J	C CAPACITOR	47pF 50V J	1	X1,M1,M2
	C969	CC73HCH1H150J	C CAPACITOR	15pF 50V J	1	X1,M1,M2
	C970	CC73HCH1H470J	C CAPACITOR	47pF 50V J	1	X1,M1,M2
	C971	CK73HBB1C104K	C CAPACITOR	0.1uF 16V K	1	X1,M1,M2
	C972	CK73GXR0J475K	C CAPACITOR	4.7uF 6.3V K	1	X1,M1,M2
	C973	CC73HCH1H470J	C CAPACITOR	47pF 50V J	1	X1,M1,M2
	C974	CK73HBB1C104K	C CAPACITOR	0.1uF 16V K	1	X1,M1,M2
	C975	CK73GXR0J475K	C CAPACITOR	4.7uF 6.3V K	1	X1,M1,M2
	C976	CC73HCH1H470J	C CAPACITOR	47pF 50V J	1	X1,M1,M2
	C978	CK73HBB1C104K	C CAPACITOR	0.1uF 16V K	1	E2,E7,K1,K0
	R1	RK73GB2A103J	MG RESISTOR	10kΩ 1/10W J	1	
	R2	RK73GB2A202J	MG RESISTOR	2kΩ 1/10W J	1	
	R3	RK73HB1J334J	MG RESISTOR	330kΩ 1/16W J	1	
	R4	RK73HH1J753D	MG RESISTOR	75kΩ 1/16W D	1	
	R5	RK73HH1J753D	MG RESISTOR	75kΩ 1/16W D	1	
	R6	RK73HH1J333D	MG RESISTOR	33kΩ 1/16W D	1	
	R7	RK73HB1J224J	MG RESISTOR	220kΩ 1/16W J	1	
	R8	RK73HB1J224J	MG RESISTOR	220kΩ 1/16W J	1	
	R9	RK73HB1J000J	MG RESISTOR	0Ω 1/16W J	1	
	R10	RK73HH1J104D	MG RESISTOR	100kΩ 1/16W D	1	
	R11	RK73HH1J134D	MG RESISTOR	130kΩ 1/16W D	1	
	R12	RK73HB1J224J	MG RESISTOR	220kΩ 1/16W J	1	
	R13	RK73HB1J224J	MG RESISTOR	220kΩ 1/16W J	1	
	R14	RK73HH1J304D	MG RESISTOR	300kΩ 1/16W D	1	
	R15	RK73HH1J304D	MG RESISTOR	300kΩ 1/16W D	1	
	R16	RK73HH1J822D	MG RESISTOR	8.2kΩ 1/16W D	1	
	R17	RK73HH1J104D	MG RESISTOR	100kΩ 1/16W D	1	
	R18	RK73HH1J683D	MG RESISTOR	68kΩ 1/16W D	1	
	R19	RK73HB1J224J	MG RESISTOR	220kΩ 1/16W J	1	
	R20	RK73HB1J224J	MG RESISTOR	220kΩ 1/16W J	1	
	R31	RK73GB2A200J	MG RESISTOR	20Ω 1/10W J	1	
	R33	RK73HB1J333J	MG RESISTOR	33kΩ 1/16W J	1	
	R34	RK73HB1J000J	MG RESISTOR	0Ω 1/16W J	1	
	R35	RK73HB1J000J	MG RESISTOR	0Ω 1/16W J	1	
	R36	RK73HH1J393D	MG RESISTOR	39kΩ 1/16W D	1	
	R37	RK73HH1J222D	MG RESISTOR	2.2kΩ 1/16W D	1	
	R38	RK73HH1J752D	MG RESISTOR	7.5kΩ 1/16W D	1	
	R39	RK73HH1J101D	MG RESISTOR	100Ω 1/16W D	1	
	R40	RK73HB1J101J	MG RESISTOR	100Ω 1/16W J	1	
	R51	RK73GB2A200J	MG RESISTOR	20Ω 1/10W J	1	
	R53	RK73HB1J333J	MG RESISTOR	33kΩ 1/16W J	1	
	R54	RK73HB1J000J	MG RESISTOR	0Ω 1/16W J	1	
	R55	RK73HB1J000J	MG RESISTOR	0Ω 1/16W J	1	
	R56	RK73HH1J393D	MG RESISTOR	39kΩ 1/16W D	1	
	R57	RK73HH1J222D	MG RESISTOR	2.2kΩ 1/16W D	1	
	R58	RK73HH1J752D	MG RESISTOR	7.5kΩ 1/16W D	1	
	R59	RK73HH1J101D	MG RESISTOR	100Ω 1/16W D	1	
	R60	RK73HB1J473J	MG RESISTOR	47kΩ 1/16W J	1	
	R62	RK73HH1J100D	MG RESISTOR	10Ω 1/16W D	1	
	R64	RK73HB1J272J	MG RESISTOR	2.7kΩ 1/16W J	1	
	R65	RK73HB1J101J	MG RESISTOR	100Ω 1/16W J	1	
	R66	RK73HB1J102J	MG RESISTOR	1kΩ 1/16W J	1	
	R71	RK73GB2A200J	MG RESISTOR	20Ω 1/10W J	1	E2,E7
	R73	RK73HB1J333J	MG RESISTOR	33kΩ 1/16W J	1	E2,E7
	R74	RK73HB1J000J	MG RESISTOR	0Ω 1/16W J	1	E2,E7
	R75	RK73HH1J100D	MG RESISTOR	10Ω 1/16W D	1	E2,E7
	R76	RK73HH1J393D	MG RESISTOR	39kΩ 1/16W D	1	E2,E7
	R77	RK73HH1J222D	MG RESISTOR	2.2kΩ 1/16W D	1	E2,E7
	R78	RK73HH1J752D	MG RESISTOR	7.5kΩ 1/16W D	1	E2,E7
	R79	RK73HB1J000J	MG RESISTOR	0Ω 1/16W J	1	E2,E7
	R80	RK73HB1J101J	MG RESISTOR	100Ω 1/16W J	1	E2,E7

MODEL	MARK	MODEL	MARK	MODEL	MARK	MODEL	MARK
DNX7170DABS	E2	DNX8170DABS	E7	DNX874S	K1	DNX9170DABS	X1
DNX9170S	M1	DNX9170SM	M2	DNX994S	K0		

Safe	Symbol No.	Parts No.	Parts Name	Description	QTY	Local
R91		RK73GB2A200J	MG RESISTOR	20Ω 1/10W J	1	
R92		RK73HB1J473J	MG RESISTOR	47kΩ 1/16W J	1	
R94		RK73HB1J333J	MG RESISTOR	33kΩ 1/16W J	1	
R95		RK73HB1J000J	MG RESISTOR	0Ω 1/16W J	1	
R96		RK73HH1J100D	MG RESISTOR	10Ω 1/16W D	1	
R97		RK73HH1J393D	MG RESISTOR	39kΩ 1/16W D	1	
R98		RK73HH1J222D	MG RESISTOR	2.2kΩ 1/16W D	1	
R99		RK73HH1J752D	MG RESISTOR	7.5kΩ 1/16W D	1	
R100		RK73HB1J000J	MG RESISTOR	0Ω 1/16W J	1	
R101		RK73EB2E151J	MG RESISTOR	150Ω 1/4W J	1	
R104		RK73HB1J101J	MG RESISTOR	100Ω 1/16W J	1	
R105		RK73HB1J272J	MG RESISTOR	2.7kΩ 1/16W J	1	
R106		RK73HB1J102J	MG RESISTOR	1kΩ 1/16W J	1	
R107		RK73HB1J000J	MG RESISTOR	0Ω 1/16W J	1	
R110		NRZ0133-R030X	MG RESISTOR	0.03Ω	1	
R111		NRZ0133-R030X	MG RESISTOR	0.03Ω	1	
R112		RK73HH1J102D	MG RESISTOR	1kΩ 1/16W D	1	
R113		RK73HH1J104D	MG RESISTOR	100kΩ 1/16W D	1	
R114		RK73HH1J102D	MG RESISTOR	1kΩ 1/16W D	1	
R115		RK73HH1J104D	MG RESISTOR	100kΩ 1/16W D	1	
R116		RK73HH1J104D	MG RESISTOR	100kΩ 1/16W D	1	
R117		RK73HH1J393D	MG RESISTOR	39kΩ 1/16W D	1	
R118		RK73HH1J104D	MG RESISTOR	100kΩ 1/16W D	1	
R119		RK73HH1J102D	MG RESISTOR	1kΩ 1/16W D	1	
R120		RK73HH1J104D	MG RESISTOR	100kΩ 1/16W D	1	
R121		RK73HB1J224J	MG RESISTOR	220kΩ 1/16W J	1	
R122		RK73HB1J224J	MG RESISTOR	220kΩ 1/16W J	1	
R123		RK73HH1J302D	MG RESISTOR	3kΩ 1/16W D	1	
R124		RK73HB1J000J	MG RESISTOR	0Ω 1/16W J	1	
R125		RK73HB1J223J	MG RESISTOR	22kΩ 1/16W J	1	
R127		RK73HB1J000J	MG RESISTOR	0Ω 1/16W J	1	
R129		RK73HB1J000J	MG RESISTOR	0Ω 1/16W J	1	
R131		RK73GB2A200J	MG RESISTOR	20Ω 1/10W J	1	
R132		RK73HB1J473J	MG RESISTOR	47kΩ 1/16W J	1	
R134		RK73HB1J333J	MG RESISTOR	33kΩ 1/16W J	1	
R135		RK73HB1J000J	MG RESISTOR	0Ω 1/16W J	1	
R136		RK73HH1J100D	MG RESISTOR	10Ω 1/16W D	1	
R137		RK73HH1J393D	MG RESISTOR	39kΩ 1/16W D	1	
R138		RK73HH1J222D	MG RESISTOR	2.2kΩ 1/16W D	1	
R139		RK73HH1J752D	MG RESISTOR	7.5kΩ 1/16W D	1	
R140		RK73HB1J000J	MG RESISTOR	0Ω 1/16W J	1	
R141		RK73EB2E151J	MG RESISTOR	150Ω 1/4W J	1	
R144		RK73HB1J101J	MG RESISTOR	100Ω 1/16W J	1	
R145		RK73HB1J272J	MG RESISTOR	2.7kΩ 1/16W J	1	
R146		RK73HB1J102J	MG RESISTOR	1kΩ 1/16W J	1	
R147		RK73HB1J000J	MG RESISTOR	0Ω 1/16W J	1	
R150		NRZ0133-R030X	MG RESISTOR	0.03Ω	1	
R151		NRZ0133-R030X	MG RESISTOR	0.03Ω	1	
R152		RK73HH1J102D	MG RESISTOR	1kΩ 1/16W D	1	
R153		RK73HH1J104D	MG RESISTOR	100kΩ 1/16W D	1	
R154		RK73HH1J102D	MG RESISTOR	1kΩ 1/16W D	1	
R155		RK73HH1J104D	MG RESISTOR	100kΩ 1/16W D	1	
R156		RK73HH1J104D	MG RESISTOR	100kΩ 1/16W D	1	
R157		RK73HH1J393D	MG RESISTOR	39kΩ 1/16W D	1	
R158		RK73HH1J104D	MG RESISTOR	100kΩ 1/16W D	1	
R159		RK73HH1J102D	MG RESISTOR	1kΩ 1/16W D	1	
R160		RK73HH1J104D	MG RESISTOR	100kΩ 1/16W D	1	
R161		RK73HB1J224J	MG RESISTOR	220kΩ 1/16W J	1	
R162		RK73HB1J224J	MG RESISTOR	220kΩ 1/16W J	1	
R163		RK73HH1J302D	MG RESISTOR	3kΩ 1/16W D	1	
R164		RK73HB1J000J	MG RESISTOR	0Ω 1/16W J	1	
R165		RK73HB1J223J	MG RESISTOR	22kΩ 1/16W J	1	
R167		RK73HB1J000J	MG RESISTOR	0Ω 1/16W J	1	
R169		RK73HB1J000J	MG RESISTOR	0Ω 1/16W J	1	
R188		RK73GB2A000J	MG RESISTOR	0Ω 1/10W J	1	
R189		RK73GB2A000J	MG RESISTOR	0Ω 1/10W J	1	
R203		RK73HB1J104J	MG RESISTOR	100kΩ 1/16W J	1	
R206		RK73GB2A000J	MG RESISTOR	0Ω 1/10W J	1	
R207		RK73GB2A000J	MG RESISTOR	0Ω 1/10W J	1	
R208		RK73GB2A000J	MG RESISTOR	0Ω 1/10W J	1	
R209		RK73GB2A000J	MG RESISTOR	0Ω 1/10W J	1	
R210		RK73GB2A000J	MG RESISTOR	0Ω 1/10W J	1	
R211		RK73GB2A000J	MG RESISTOR	0Ω 1/10W J	1	
R216		RK73HB1J000J	MG RESISTOR	0Ω 1/16W J	1	
R218		RK73HB1J473J	MG RESISTOR	47kΩ 1/16W J	1	E2,E7
R219		RK73HB1J153J	MG RESISTOR	15kΩ 1/16W J	1	E2,E7
R224		RK73HH1J104D	MG RESISTOR	100kΩ 1/16W D	1	
R225		RK73HH1J822D	MG RESISTOR	8.2kΩ 1/16W D	1	
R226		RK73HH1J821D	MG RESISTOR	820Ω 1/16W D	1	
R227		RK73HB1J000J	MG RESISTOR	0Ω 1/16W J	1	
R228		RK73GB2A000J	MG RESISTOR	0Ω 1/10W J	1	
R229		RK73GB2A000J	MG RESISTOR	0Ω 1/10W J	1	
R230		RK73GB2A000J	MG RESISTOR	0Ω 1/10W J	1	
R261		RK73HB1J101J	MG RESISTOR	100Ω 1/16W J	1	
R262		RK73HB1J101J	MG RESISTOR	100Ω 1/16W J	1	
R263		RK73HB1J101J	MG RESISTOR	100Ω 1/16W J	1	
R264		RK73HB1J100J	MG RESISTOR	10Ω 1/16W J	1	
R265		RK73HB1J101J	MG RESISTOR	100Ω 1/16W J	1	
R266		RK73HB1J101J	MG RESISTOR	100Ω 1/16W J	1	
R301		RK73HB1J223J	MG RESISTOR	22kΩ 1/16W J	1	

MODEL	MARK	MODEL	MARK	MODEL	MARK	MODEL	MARK
DNX7170DABS	E2	DNX8170DABS	E7	DNX874S	K1	DNX9170DABS	X1
DNX9170S	M1	DNX9170SM	M2	DNX994S	K0		

Safe	Symbol No.	Parts No.	Parts Name	Description	QTY	Local
	R308	RK73HB1J101J	MG RESISTOR	100Ω 1/16W J	1	
	R309	RK73HB1J101J	MG RESISTOR	100Ω 1/16W J	1	
	R310	RK73HB1J102J	MG RESISTOR	1kΩ 1/16W J	1	
	R311	RK73HB1J101J	MG RESISTOR	100Ω 1/16W J	1	
	R312	RK73HB1J473J	MG RESISTOR	47kΩ 1/16W J	1	
	R313	RK73HB1J101J	MG RESISTOR	100Ω 1/16W J	1	
	R314	RK73HB1J101J	MG RESISTOR	100Ω 1/16W J	1	
	R315	RK73HB1J102J	MG RESISTOR	1kΩ 1/16W J	1	
	R316	RK73HB1J154J	MG RESISTOR	150kΩ 1/16W J	1	
	R317	RK73HB1J154J	MG RESISTOR	150kΩ 1/16W J	1	
	R318	RK73HB1J101J	MG RESISTOR	100Ω 1/16W J	1	
	R320	RK73HB1J103J	MG RESISTOR	10kΩ 1/16W J	1	
	R321	RK73HB1J103J	MG RESISTOR	10kΩ 1/16W J	1	
	R322	RK73HB1J473J	MG RESISTOR	47kΩ 1/16W J	1	
	R323	RK73HB1J103J	MG RESISTOR	10kΩ 1/16W J	1	
	R324	RK73HB1J101J	MG RESISTOR	100Ω 1/16W J	1	
	R325	RK73HB1J473J	MG RESISTOR	47kΩ 1/16W J	1	
	R326	RK73HB1J473J	MG RESISTOR	47kΩ 1/16W J	1	
	R327	RK73HB1J223J	MG RESISTOR	22kΩ 1/16W J	1	
	R329	RK73HB1J223J	MG RESISTOR	22kΩ 1/16W J	1	
	R330	RK73HB1J222J	MG RESISTOR	2.2kΩ 1/16W J	1	
	R331	RK73HB1J101J	MG RESISTOR	100Ω 1/16W J	1	
	R332	RK73HB1J101J	MG RESISTOR	100Ω 1/16W J	1	
	R333	RK73HB1J272J	MG RESISTOR	2.7kΩ 1/16W J	1	
	R334	RK73HB1J101J	MG RESISTOR	100Ω 1/16W J	1	
	R335	RK73HB1J101J	MG RESISTOR	100Ω 1/16W J	1	
	R337	RK73HB1J101J	MG RESISTOR	100Ω 1/16W J	1	
	R338	RK73HB1J000J	MG RESISTOR	0Ω 1/16W J	1	
	R339	RK73HB1J101J	MG RESISTOR	100Ω 1/16W J	1	
	R340	RK73HB1J472J	MG RESISTOR	4.7kΩ 1/16W J	1	
	R341	RK73HB1J472J	MG RESISTOR	4.7kΩ 1/16W J	1	
	R342	RK73HB1J101J	MG RESISTOR	100Ω 1/16W J	1	
	R343	RK73HB1J101J	MG RESISTOR	100Ω 1/16W J	1	
	R344	RK73HB1J101J	MG RESISTOR	100Ω 1/16W J	1	
	R345	RK73HB1J680J	MG RESISTOR	68Ω 1/16W J	1	E7
	R346	RK73HB1J561J	MG RESISTOR	560Ω 1/16W J	1	E7
	R347	RK73HB1J101J	MG RESISTOR	100Ω 1/16W J	1	
	R348	RK73HB1J104J	MG RESISTOR	100kΩ 1/16W J	1	
	R349	RK73HB1J101J	MG RESISTOR	100Ω 1/16W J	1	
	R350	RK73HB1J473J	MG RESISTOR	47kΩ 1/16W J	1	
	R351	RK73HB1J101J	MG RESISTOR	100Ω 1/16W J	1	
	R352	RK73HB1J473J	MG RESISTOR	47kΩ 1/16W J	1	
	R355	RK73HB1J101J	MG RESISTOR	100Ω 1/16W J	1	
	R356	RK73HB1J104J	MG RESISTOR	100kΩ 1/16W J	1	
	R357	RK73HB1J101J	MG RESISTOR	100Ω 1/16W J	1	
	R358	RK73HB1J101J	MG RESISTOR	100Ω 1/16W J	1	
	R359	RK73HB1J101J	MG RESISTOR	100Ω 1/16W J	1	
	R360	RK73HB1J101J	MG RESISTOR	100Ω 1/16W J	1	
	R361	RK73HB1J101J	MG RESISTOR	100Ω 1/16W J	1	
	R362	RK73HB1J104J	MG RESISTOR	100kΩ 1/16W J	1	
	R363	RK73HB1J101J	MG RESISTOR	100Ω 1/16W J	1	
	R365	RK73HB1J101J	MG RESISTOR	100Ω 1/16W J	1	
	R366	RK73HB1J222J	MG RESISTOR	2.2kΩ 1/16W J	1	
	R367	RK73HB1J222J	MG RESISTOR	2.2kΩ 1/16W J	1	
	R368	RK73HB1J101J	MG RESISTOR	100Ω 1/16W J	1	
	R369	RK73HB1J473J	MG RESISTOR	47kΩ 1/16W J	1	
	R370	RK73HB1J101J	MG RESISTOR	100Ω 1/16W J	1	
	R371	RK73HB1J101J	MG RESISTOR	100Ω 1/16W J	1	
	R372	RK73HB1J101J	MG RESISTOR	100Ω 1/16W J	1	
	R373	RK73HB1J101J	MG RESISTOR	100Ω 1/16W J	1	
	R374	RK73HB1J101J	MG RESISTOR	100Ω 1/16W J	1	
	R375	RK73HB1J101J	MG RESISTOR	100Ω 1/16W J	1	
	R376	RK73HB1J101J	MG RESISTOR	100Ω 1/16W J	1	
	R378	RK73HB1J104J	MG RESISTOR	100kΩ 1/16W J	1	
	R379	RK73HB1J102J	MG RESISTOR	1kΩ 1/16W J	1	
	R380	RK73HB1J101J	MG RESISTOR	100Ω 1/16W J	1	
	R381	RK73HB1J102J	MG RESISTOR	1kΩ 1/16W J	1	
	R382	RK73HB1J223J	MG RESISTOR	22kΩ 1/16W J	1	
	R383	RK73HB1J101J	MG RESISTOR	100Ω 1/16W J	1	
	R384	RK73HB1J102J	MG RESISTOR	1kΩ 1/16W J	1	
	R385	RK73HB1J223J	MG RESISTOR	22kΩ 1/16W J	1	
	R386	RK73HB1J102J	MG RESISTOR	1kΩ 1/16W J	1	
	R387	RK73HB1J223J	MG RESISTOR	22kΩ 1/16W J	1	
	R388	RK73HB1J101J	MG RESISTOR	100Ω 1/16W J	1	
	R389	RK73HB1J101J	MG RESISTOR	100Ω 1/16W J	1	
	R390	RK73HB1J223J	MG RESISTOR	22kΩ 1/16W J	1	
	R391	RK73HB1J104J	MG RESISTOR	100kΩ 1/16W J	1	
	R392	RK73HB1J101J	MG RESISTOR	100Ω 1/16W J	1	
	R393	RK73HB1J101J	MG RESISTOR	100Ω 1/16W J	1	
	R394	RK73HB1J473J	MG RESISTOR	47kΩ 1/16W J	1	
	R396	RK73HB1J104J	MG RESISTOR	100kΩ 1/16W J	1	
	R397	RK73HB1J473J	MG RESISTOR	47kΩ 1/16W J	1	
	R398	RK73HB1J101J	MG RESISTOR	100Ω 1/16W J	1	
	R399	RK73HB1J222J	MG RESISTOR	2.2kΩ 1/16W J	1	
	R400	RK73HB1J222J	MG RESISTOR	2.2kΩ 1/16W J	1	
	R401	RK73HB1J473J	MG RESISTOR	47kΩ 1/16W J	1	
	R404	RK73HB1J101J	MG RESISTOR	100Ω 1/16W J	1	
	R405	RK73HB1J101J	MG RESISTOR	100Ω 1/16W J	1	
	R406	RK73HH1J104D	MG RESISTOR	100kΩ 1/16W D	1	
	R407	RK73HH1J134D	MG RESISTOR	130kΩ 1/16W D	1	E2
	R407	RK73HH1J564D	MG RESISTOR	560kΩ 1/16W D	1	K1
	R407	RK73HH1J244D	MG RESISTOR	240kΩ 1/16W D	1	M1,M2

MODEL	MARK	MODEL	MARK	MODEL	MARK	MODEL	MARK
DNX7170DABS	E2	DNX8170DABS	E7	DNX874S	K1	DNX9170DABS	X1
DNX9170S	M1	DNX9170SM	M2	DNX994S	K0		

Safe	Symbol No.	Parts No.	Parts Name	Description	QTY	Local
	R408	RK73HH1J104D	MG RESISTOR	100kΩ 1/16W D	1	
	R410	RK73HB1J101J	MG RESISTOR	100Ω 1/16W J	1	
	R411	RK73HB1J101J	MG RESISTOR	100Ω 1/16W J	1	
	R412	RK73HB1J101J	MG RESISTOR	100Ω 1/16W J	1	
	R413	RK73HB1J101J	MG RESISTOR	100Ω 1/16W J	1	
	R414	RK73HH1J104D	MG RESISTOR	100kΩ 1/16W D	1	E2,E7,K1,M1,M2,K0
	R415	RK73HH1J134D	MG RESISTOR	130kΩ 1/16W D	1	E2,E7
	R415	RK73HH1J104D	MG RESISTOR	100kΩ 1/16W D	1	X1
	R415	RK73HH1J393D	MG RESISTOR	39kΩ 1/16W D	1	M1
	R415	RK73HH1J163D	MG RESISTOR	16kΩ 1/16W D	1	M2
	R420	RK73HB1J223J	MG RESISTOR	22kΩ 1/16W J	1	
	R421	RK73HB1J331J	MG RESISTOR	330Ω 1/16W J	1	
	R422	RK73HB1J821J	MG RESISTOR	820Ω 1/16W J	1	
	R423	RK73HB1J271J	MG RESISTOR	270Ω 1/16W J	1	
	R424	RK73GB2A224J	MG RESISTOR	220kΩ 1/10W J	1	
	R425	RK73HB1J471J	MG RESISTOR	470Ω 1/16W J	1	
	R426	RK73HB1J823J	MG RESISTOR	82kΩ 1/16W J	1	
	R427	RK73HB1J103J	MG RESISTOR	10kΩ 1/16W J	1	
	R428	RK73HB1J124J	MG RESISTOR	120kΩ 1/16W J	1	
	R429	RK73HB1J472J	MG RESISTOR	4.7kΩ 1/16W J	1	
	R430	RK73HB1J103J	MG RESISTOR	10kΩ 1/16W J	1	
	R431	RK73HB1J473J	MG RESISTOR	47kΩ 1/16W J	1	
	R432	RK73HB1J473J	MG RESISTOR	47kΩ 1/16W J	1	
	R433	RK73HB1J473J	MG RESISTOR	47kΩ 1/16W J	1	
	R434	RK73HB1J473J	MG RESISTOR	47kΩ 1/16W J	1	
	R437	RK73HB1J000J	MG RESISTOR	0Ω 1/16W J	1	
	R439	RK73HB1J101J	MG RESISTOR	100Ω 1/16W J	1	E2,E7,X1,M1,M2
	R440	RK73HB1J101J	MG RESISTOR	100Ω 1/16W J	1	E2,E7,X1,M1,M2
	R443	RK73HB1J473J	MG RESISTOR	47kΩ 1/16W J	1	
	R444	RK73HB1J473J	MG RESISTOR	47kΩ 1/16W J	1	
	R503	RK73HB1J223J	MG RESISTOR	22kΩ 1/16W J	1	
	R504	RK73HB1J223J	MG RESISTOR	22kΩ 1/16W J	1	
	R506	RK73HB1J223J	MG RESISTOR	22kΩ 1/16W J	1	
	R507	RK73HB1J223J	MG RESISTOR	22kΩ 1/16W J	1	
	R510	RK73HB1J221J	MG RESISTOR	220Ω 1/16W J	1	
	R511	RK73HB1J221J	MG RESISTOR	220Ω 1/16W J	1	
	R512	RK73HB1J221J	MG RESISTOR	220Ω 1/16W J	1	
	R513	RK73HB1J221J	MG RESISTOR	220Ω 1/16W J	1	
	R514	RK73HB1J000J	MG RESISTOR	0Ω 1/16W J	1	
	R515	RK73HB1J000J	MG RESISTOR	0Ω 1/16W J	1	
	R518	RK73HB1J221J	MG RESISTOR	220Ω 1/16W J	1	
	R519	RK73HB1J221J	MG RESISTOR	220Ω 1/16W J	1	
	R520	RK73HB1J000J	MG RESISTOR	0Ω 1/16W J	1	
	R521	RK73HB1J221J	MG RESISTOR	220Ω 1/16W J	1	
	R522	RK73HB1J221J	MG RESISTOR	220Ω 1/16W J	1	
	R523	RK73HB1J000J	MG RESISTOR	0Ω 1/16W J	1	
	R524	RK73HB1J000J	MG RESISTOR	0Ω 1/16W J	1	
	R531	RK73HB1J223J	MG RESISTOR	22kΩ 1/16W J	1	
	R532	RK73HB1J223J	MG RESISTOR	22kΩ 1/16W J	1	
	R533	RK73HB1J000J	MG RESISTOR	0Ω 1/16W J	1	
	R534	RK73HB1J100J	MG RESISTOR	10Ω 1/16W J	1	
	R535	RK73HB1J100J	MG RESISTOR	10Ω 1/16W J	1	
	R536	RK73HB1J100J	MG RESISTOR	10Ω 1/16W J	1	
	R538	RK73GB2A2R2J	MG RESISTOR	2.2Ω 1/10W J	1	
	R539	RK73HB1J221J	MG RESISTOR	220Ω 1/16W J	1	
	R540	RK73HB1J221J	MG RESISTOR	220Ω 1/16W J	1	
	R541	RK73HB1J221J	MG RESISTOR	220Ω 1/16W J	1	
	R542	RK73HB1J221J	MG RESISTOR	220Ω 1/16W J	1	
	R543	RK73HB1J000J	MG RESISTOR	0Ω 1/16W J	1	
	R544	RK73HB1J000J	MG RESISTOR	0Ω 1/16W J	1	
	R545	RK73HB1J101J	MG RESISTOR	100Ω 1/16W J	1	
	R546	RK73HB1J101J	MG RESISTOR	100Ω 1/16W J	1	
	R547	RK73HB1J000J	MG RESISTOR	0Ω 1/16W J	1	
	R548	RK73HB1J000J	MG RESISTOR	0Ω 1/16W J	1	E2,E7
	R549	RK73HB1J000J	MG RESISTOR	0Ω 1/16W J	1	E2,E7
	R550	RK73HB1J000J	MG RESISTOR	0Ω 1/16W J	1	
	R551	RK73HB1J222J	MG RESISTOR	2.2kΩ 1/16W J	1	
	R552	RK73HB1J101J	MG RESISTOR	100Ω 1/16W J	1	
	R553	RK73HB1J101J	MG RESISTOR	100Ω 1/16W J	1	
	R554	RK73HB1J101J	MG RESISTOR	100Ω 1/16W J	1	
	R555	RK73HB1J101J	MG RESISTOR	100Ω 1/16W J	1	
	R556	RK73HB1J101J	MG RESISTOR	100Ω 1/16W J	1	
	R557	RK73HB1J000J	MG RESISTOR	0Ω 1/16W J	1	E2,E7
	R558	RK73HB1J000J	MG RESISTOR	0Ω 1/16W J	1	
	R559	RK73HB1J101J	MG RESISTOR	100Ω 1/16W J	1	
	R560	RK73HB1J101J	MG RESISTOR	100Ω 1/16W J	1	
	R561	RK73HB1J101J	MG RESISTOR	100Ω 1/16W J	1	
	R562	RK73HB1J000J	MG RESISTOR	0Ω 1/16W J	1	
	R563	RK73HB1J000J	MG RESISTOR	0Ω 1/16W J	1	
	R564	RK73HB1J000J	MG RESISTOR	0Ω 1/16W J	1	
	R565	RK73HB1J101J	MG RESISTOR	100Ω 1/16W J	1	
	R566	RK73HB1J100J	MG RESISTOR	10Ω 1/16W J	1	
	R567	RK73HB1J100J	MG RESISTOR	10Ω 1/16W J	1	
	R568	RK73HB1J181J	MG RESISTOR	180Ω 1/16W J	1	
	R569	RK73HB1J223J	MG RESISTOR	22kΩ 1/16W J	1	
	R570	RK73HB1J100J	MG RESISTOR	10Ω 1/16W J	1	
	R573	RK73HB1J101J	MG RESISTOR	100Ω 1/16W J	1	
	R574	RK73HB1J100J	MG RESISTOR	10Ω 1/16W J	1	
	R575	RK73HB1J100J	MG RESISTOR	10Ω 1/16W J	1	
	R576	RK73HB1J000J	MG RESISTOR	0Ω 1/16W J	1	

MODEL	MARK	MODEL	MARK	MODEL	MARK	MODEL	MARK
DNX7170DABS	E2	DNX8170DABS	E7	DNX874S	K1	DNX9170DABS	X1
DNX9170S	M1	DNX9170SM	M2	DNX994S	K0		

Safe	Symbol No.	Parts No.	Parts Name	Description	QTY	Local
	R577	RK73HB1J100J	MG RESISTOR	10Ω 1/16W J	1	
	R578	RK73GB2A2R2J	MG RESISTOR	2.2Ω 1/10W J	1	
	R579	RK73GB2A2R2J	MG RESISTOR	2.2Ω 1/10W J	1	
	R582	RK73HB1J000J	MG RESISTOR	0Ω 1/16W J	1	K1,X1,M1,M2,K0
	R583	RK73HB1J000J	MG RESISTOR	0Ω 1/16W J	1	K1,X1,M1,M2,K0
	R584	RK73HB1J000J	MG RESISTOR	0Ω 1/16W J	1	K1,X1,M1,M2,K0
	R585	RK73GB2A000J	MG RESISTOR	0Ω 1/10W J	1	
	R586	RK73GB2A000J	MG RESISTOR	0Ω 1/10W J	1	
	R588	RK73HH1J221D	MG RESISTOR	220Ω 1/16W D	1	
	R589	RK73HH1J221D	MG RESISTOR	220Ω 1/16W D	1	
	R590	RK73HH1J221D	MG RESISTOR	220Ω 1/16W D	1	
	R591	RK73HH1J221D	MG RESISTOR	220Ω 1/16W D	1	
	R592	RK73HH1J221D	MG RESISTOR	220Ω 1/16W D	1	
	R593	RK73HH1J221D	MG RESISTOR	220Ω 1/16W D	1	
	R594	RK73HH1J221D	MG RESISTOR	220Ω 1/16W D	1	
	R595	RK73HH1J221D	MG RESISTOR	220Ω 1/16W D	1	
	R596	RK73HB1J223J	MG RESISTOR	22kΩ 1/16W J	1	
	R599	RK73GB2A000J	MG RESISTOR	0Ω 1/10W J	1	
	R600	RK73GB2A000J	MG RESISTOR	0Ω 1/10W J	1	
	R601	RK73HB1J101J	MG RESISTOR	100Ω 1/16W J	1	E7
	R604	RK73HB1J000J	MG RESISTOR	0Ω 1/16W J	1	
	R609	RK73HB1J203J	MG RESISTOR	20kΩ 1/16W J	1	
	R610	RK73HB1J203J	MG RESISTOR	20kΩ 1/16W J	1	
	R611	RK73HB1J473J	MG RESISTOR	47kΩ 1/16W J	1	
	R612	RK73HB1J304J	MG RESISTOR	300kΩ 1/16W J	1	
	R614	RK73HB1J304J	MG RESISTOR	300kΩ 1/16W J	1	
	R615	RK73GB2A000J	MG RESISTOR	0Ω 1/10W J	1	
	R616	RK73HB1J223J	MG RESISTOR	22kΩ 1/16W J	1	
	R617	RK73HB1J223J	MG RESISTOR	22kΩ 1/16W J	1	
	R618	RK73HB1J333J	MG RESISTOR	33kΩ 1/16W J	1	
	R620	RK73HB1J123J	MG RESISTOR	12kΩ 1/16W J	1	
	R621	RK73GB2A101J	MG RESISTOR	100Ω 1/10W J	1	
	R622	RK73GB2A2R2J	MG RESISTOR	2.2Ω 1/10W J	1	
	R624	RK73HB1J752J	MG RESISTOR	7.5kΩ 1/16W J	1	
	R638	RK73HB1J000J	MG RESISTOR	0Ω 1/16W J	1	
	R721	RK73GB2A101J	MG RESISTOR	100Ω 1/10W J	1	
	R722	RK73GB2A220J	MG RESISTOR	22Ω 1/10W J	1	
	R724	RK73GB2A000J	MG RESISTOR	0Ω 1/10W J	1	
	R725	RK73HB1J101J	MG RESISTOR	100Ω 1/16W J	1	
	R726	RK73HB1J101J	MG RESISTOR	100Ω 1/16W J	1	
	R727	RK73GB2A473J	MG RESISTOR	47kΩ 1/10W J	1	
	R734	RK73GB2A101J	MG RESISTOR	100Ω 1/10W J	1	K1,K0
	R735	RK73GB2A101J	MG RESISTOR	100Ω 1/10W J	1	K1,K0
	R741	RK73HB1J272J	MG RESISTOR	2.7kΩ 1/16W J	1	K1,K0
	R743	RK73GB2A473J	MG RESISTOR	47kΩ 1/10W J	1	K1,K0
	R754	RK73HB1J000J	MG RESISTOR	0Ω 1/16W J	1	
	R755	RK73HB1J000J	MG RESISTOR	0Ω 1/16W J	1	
	R756	RK73HB1J000J	MG RESISTOR	0Ω 1/16W J	1	
	R757	RK73HB1J000J	MG RESISTOR	0Ω 1/16W J	1	
	R758	RK73HB1J000J	MG RESISTOR	0Ω 1/16W J	1	
	R759	RK73HB1J000J	MG RESISTOR	0Ω 1/16W J	1	
	R760	RK73GB2A000J	MG RESISTOR	0Ω 1/10W J	1	
	R791	RK73HB1J223J	MG RESISTOR	22kΩ 1/16W J	1	
	R792	RK73HB1J223J	MG RESISTOR	22kΩ 1/16W J	1	
	R793	RK73HB1J100J	MG RESISTOR	10Ω 1/16W J	1	
	R794	RK73HB1J100J	MG RESISTOR	10Ω 1/16W J	1	
	R795	RK73HB1J4R7J	MG RESISTOR	4.7Ω 1/16W J	1	
	R796	RK73GB2A000J	MG RESISTOR	0Ω 1/10W J	1	
	R801	RK73GB2A470J	MG RESISTOR	47Ω 1/10W J	1	E2,E7,X1,M1,M2
	R802	RK73GB2A470J	MG RESISTOR	47Ω 1/10W J	1	E2,E7,X1,M1,M2
	R803	RK73GH2A472D	MG RESISTOR	4.7kΩ 1/10W D	1	
	R804	RK73GH2A472D	MG RESISTOR	4.7kΩ 1/10W D	1	
	R805	RK73EB2E511J	MG RESISTOR	510Ω 1/4W J	1	E2,E7,X1,M1,M2
	R806	RK73EB2E511J	MG RESISTOR	510Ω 1/4W J	1	E2,E7,X1,M1,M2
	R807	RK73HB1J152J	MG RESISTOR	1.5kΩ 1/16W J	1	
	R808	RK73HB1J152J	MG RESISTOR	1.5kΩ 1/16W J	1	
	R809	RK73HB1J681J	MG RESISTOR	680Ω 1/16W J	1	
	R810	RK73HB1J681J	MG RESISTOR	680Ω 1/16W J	1	
	R811	RK73HB1J104J	MG RESISTOR	100kΩ 1/16W J	1	E2,E7,X1,M1,M2
	R812	RK73HB1J104J	MG RESISTOR	100kΩ 1/16W J	1	E2,E7,X1,M1,M2
	R813	RK73HB1J102J	MG RESISTOR	1kΩ 1/16W J	1	E2,E7,X1,M1,M2
	R814	RK73HB1J102J	MG RESISTOR	1kΩ 1/16W J	1	E2,E7,X1,M1,M2
	R821	RK73HB1J000J	MG RESISTOR	0Ω 1/16W J	1	
	R825	RK73GB2A000J	MG RESISTOR	0Ω 1/10W J	1	
	R826	RK73HB1J100J	MG RESISTOR	10Ω 1/16W J	1	
	R827	RK73HB1J100J	MG RESISTOR	10Ω 1/16W J	1	
	R839	RK73HB1J750J	MG RESISTOR	75Ω 1/16W J	1	
	R871	RK73GB2A000J	MG RESISTOR	0Ω 1/10W J	1	
	R873	RK73HB1J000J	MG RESISTOR	0Ω 1/16W J	1	
	R874	RK73HB1J000J	MG RESISTOR	0Ω 1/16W J	1	
	R876	RK73HB1J000J	MG RESISTOR	0Ω 1/16W J	1	
	R877	RK73HB1J100J	MG RESISTOR	10Ω 1/16W J	1	
	R878	RK73HH1J391D	MG RESISTOR	390Ω 1/16W D	1	
	R879	RK73HH1J201D	MG RESISTOR	200Ω 1/16W D	1	
	R884	RK73HB1J100J	MG RESISTOR	10Ω 1/16W J	1	
	R886	RK73HB1J220J	MG RESISTOR	22Ω 1/16W J	1	
	R887	RK73HB1J220J	MG RESISTOR	22Ω 1/16W J	1	
	R888	RK73HB1J000J	MG RESISTOR	0Ω 1/16W J	1	
	R889	RK73HH1J683D	MG RESISTOR	68kΩ 1/16W D	1	
	R890	RK73HH1J683D	MG RESISTOR	68kΩ 1/16W D	1	
	R891	RK73HB1J000J	MG RESISTOR	0Ω 1/16W J	1	
	R921	RK73HB1J220J	MG RESISTOR	22Ω 1/16W J	1	

MODEL	MARK	MODEL	MARK	MODEL	MARK	MODEL	MARK
DNX7170DABS	E2	DNX8170DABS	E7	DNX874S	K1	DNX9170DABS	X1
DNX9170S	M1	DNX9170SM	M2	DNX994S	K0		

Safe	Symbol No.	Parts No.	Parts Name	Description	QTY	Local
	R922	RK73HB1J220J	MG RESISTOR	22Ω 1/16W J	1	
	R923	RK73HB1J000J	MG RESISTOR	0Ω 1/16W J	1	
	R925	RK73HB1J103J	MG RESISTOR	10kΩ 1/16W J	1	
	R926	RK73HB1J000J	MG RESISTOR	0Ω 1/16W J	1	
	R929	RK73HB1J103J	MG RESISTOR	10kΩ 1/16W J	1	
	R930	RK73HB1J103J	MG RESISTOR	10kΩ 1/16W J	1	
	R951	RK73HH1J753D	MG RESISTOR	75kΩ 1/16W D	1	
	R952	RK73HH1J273D	MG RESISTOR	27kΩ 1/16W D	1	E2,E7,K1,K0
	R952	RK73HH1J393D	MG RESISTOR	39kΩ 1/16W D	1	X1,M1,M2
	R953	RK73HH1J303D	MG RESISTOR	30kΩ 1/16W D	1	
	R954	RK73GB2A330J	MG RESISTOR	33Ω 1/10W J	1	X1,M1,M2
	R955	RK73GB2A391J	MG RESISTOR	390Ω 1/10W J	1	X1,M1,M2
	R956	RK73HB1J103J	MG RESISTOR	10kΩ 1/16W J	1	X1,M1,M2
	R957	RK73HB1J000J	MG RESISTOR	0Ω 1/16W J	1	X1,M1,M2
	R958	RK73GB2A000J	MG RESISTOR	0Ω 1/10W J	1	X1,M1,M2
	R959	RK73HB1J103J	MG RESISTOR	10kΩ 1/16W J	1	X1,M1,M2
	R960	RK73GB2A000J	MG RESISTOR	0Ω 1/10W J	1	X1,M1,M2
	R961	RK73HB1J103J	MG RESISTOR	10kΩ 1/16W J	1	X1,M1,M2
	R962	RK73GB2A331J	MG RESISTOR	330Ω 1/10W J	1	X1,M1,M2
	R964	RK73GB2A000J	MG RESISTOR	0Ω 1/10W J	1	X1,M1,M2
	R967	RK73HB1J820J	MG RESISTOR	82Ω 1/16W J	1	X1,M1,M2
	R969	RK73GB2A000J	MG RESISTOR	0Ω 1/10W J	1	X1,M1,M2
	R971	RK73HB1J820J	MG RESISTOR	82Ω 1/16W J	1	X1,M1,M2
	R973	RK73GB2A101J	MG RESISTOR	100Ω 1/10W J	1	X1,M1,M2
	R975	RK73HB1J103J	MG RESISTOR	10kΩ 1/16W J	1	X1,M1,M2
	R976	RK73HB1J103J	MG RESISTOR	10kΩ 1/16W J	1	X1,M1,M2
	R977	RK73HB1J102J	MG RESISTOR	1kΩ 1/16W J	1	X1,M1,M2
	R979	RK73HB1J000J	MG RESISTOR	0Ω 1/16W J	1	X1,M1,M2
	R980	RK73HB1J000J	MG RESISTOR	0Ω 1/16W J	1	X1,M1,M2
	R981	RK73HB1J000J	MG RESISTOR	0Ω 1/16W J	1	X1,M1,M2
	R982	RK73HB1J000J	MG RESISTOR	0Ω 1/16W J	1	X1,M1,M2
	R983	RK73HB1J000J	MG RESISTOR	0Ω 1/16W J	1	X1,M1,M2
	R984	RK73HB1J000J	MG RESISTOR	0Ω 1/16W J	1	X1,M1,M2
	R985	RK73HB1J000J	MG RESISTOR	0Ω 1/16W J	1	X1,M1,M2
	R986	RK73HB1J000J	MG RESISTOR	0Ω 1/16W J	1	X1,M1,M2
	R987	RK73HB1J000J	MG RESISTOR	0Ω 1/16W J	1	E2,E7,K1,K0
	R988	RK73HB1J000J	MG RESISTOR	0Ω 1/16W J	1	E2,E7,K1,K0
	R989	RK73HB1J000J	MG RESISTOR	0Ω 1/16W J	1	E2,E7,K1,K0
	R990	RK73HB1J000J	MG RESISTOR	0Ω 1/16W J	1	E2,E7,K1,K0
	R991	RK73HB1J000J	MG RESISTOR	0Ω 1/16W J	1	E2,E7,K1,K0
	R992	RK73HB1J000J	MG RESISTOR	0Ω 1/16W J	1	E2,E7,K1,K0
	R993	RK73HB1J000J	MG RESISTOR	0Ω 1/16W J	1	E2,E7,K1,K0
	R994	RK73HB1J000J	MG RESISTOR	0Ω 1/16W J	1	E2,E7,K1,K0
	R995	RK73HB1J000J	MG RESISTOR	0Ω 1/16W J	1	E2,E7,K1,K0
	R996	RK73HB1J000J	MG RESISTOR	0Ω 1/16W J	1	E2,E7,K1,K0
	R997	RK73HB1J000J	MG RESISTOR	0Ω 1/16W J	1	X1,M1,M2
	RA791	RK74GB1J301J	NET RESISTOR	300Ω 1/16W J	1	
	RA821	RK74GB1J301J	NET RESISTOR	300Ω 1/16W J	1	
	RA822	RK74GB1J301J	NET RESISTOR	300Ω 1/16W J	1	
	L32	NQR0723-001X	CHOKE COIL		1	
	L52	NQR0723-001X	CHOKE COIL		1	
	L72	NQR0723-001X	CHOKE COIL		1	E2,E7
	L92	NQR0723-001X	CHOKE COIL		1	
	L132	NQR0723-001X	CHOKE COIL		1	
	L301	NQR0199-003X	FERRITE BEADS		1	
	L751	LR79Z0AG100M	CHIP INDUCTOR	10uH	1	
	L871	NQL77GK-100X	INDUCTOR	10uH K	1	
	L921	NQLP9AJ-27NX	INDUCTOR	27nH J	1	
	L922	LR79H0AZ8N2G	CHIP INDUCTOR		1	
	L923	NQLZ021-9N1X	INDUCTOR	9.1nH	1	
	L924	NQR0593-001X	FERRITE BEADS		1	
	L925	NQR0593-001X	FERRITE BEADS		1	
	L926	NAX1261-001X	SAW FILTER		1	
	L951	LB73G0AM-004	CHIP FERRITE		1	X1,M1,M2
	L952	LK73H0AM2N2S	M.CHIP INDUCTOR		1	X1,M1,M2
	L953	LB73G0AM-004	CHIP FERRITE		1	X1,M1,M2
	L954	LB73G0AM-004	CHIP FERRITE		1	X1,M1,M2
	L955	LB73G0AM-004	CHIP FERRITE		1	X1,M1,M2
	L956	LB73G0AM-004	CHIP FERRITE		1	X1,M1,M2
	A921	W0C-0070-00	RF MODULE	QFN	1	
	A951	-----	CIRCUIT MODULE	NO SERVICE PART	1	X1,M1,M2
	AT951	T9A-0052-00	CHIP ANTENNA		1	X1,M1,M2
	CN1	QGA2001F1-04	W TO B CONNE	W-B (1-4)	1	
	CN201	QGA2001C1-02	W TO B CONNE	W-B (1-2)	1	
	CN202	QGA2001C1-03	W TO B CONNE	W-B (1-3)	1	E2,E7
	CN251	QGA2001C1-04	W TO B CONNE	W-B (1-4)	1	
	CN261	EC710AM-0515A	FFC FPC CONNE		1	
	CN301	QGA1002F1-08X	W TO B CONNE	W-B (1-8)	1	
	CN601	EB770AX-05C0A	B TO B CONNE		1	
	CN602	EC720AA-0550A	FFC FPC CONNE		1	
	CN603	EC720AA-0560A	FFC FPC CONNE		1	
	CN721	EA120CE-2503A	W TO B CONNE		1	
	CN731	QGA2021F1-04	W TO B CONNE	W-B (1-4)	1	K1,K0
	CN751	EC710AM-0535A	FFC FPC CONNE		1	
	CN802	QGA2001C1-04	W TO B CONNE	W-B (1-4)	1	
	CN951	QGF0536C3-12W	FFC/FPC CONNE	FFC/FPC (1-12)	1	X1,M1,M2
	CN952	EC720AA-0515A	FFC FPC CONNE		1	E2,E7,K1,K0
△	F1	FZA10BZ-7R0	FUSE (CC)		1	
△	F721	F53-0513-08	PATTERN FUSE	4A	1	
△	F731	F53-0513-08	PATTERN FUSE	4A	1	

MODEL	MARK	MODEL	MARK	MODEL	MARK	MODEL	MARK
DNX7170DABS	E2	DNX8170DABS	E7	DNX874S	K1	DNX9170DABS	X1
DNX9170S	M1	DNX9170SM	M2	DNX994S	K0		

Safe	Symbol No.	Parts No.	Parts Name	Description	QTY	Local
△	F732	F53-0513-08	PATTERN FUSE	4A	1	
△	F751	FZA10AC-1R0	FUSE (CC)		1	
△	F791	F53-0513-08	PATTERN FUSE	4A	1	
△	F801	F53-0513-08	PATTERN FUSE	4A	1	
△	F832	F53-0513-08	PATTERN FUSE	4A	1	
	J261	NNZ0256-001X	SD CARD CONNE		1	
	J601	QNS0307-001	3.5 JACK		1	
	J791	QNS0291-001	3.5 JACK		1	
	J801	QNS0307-001	3.5 JACK		1	E2,E7,X1,M1,M2
	J921	E5J-0023-00	R.RECEPTACLE		1	
	VA734	NAF0045-180X	VARIISTOR(ZNR)		1	K1,K0
	VA735	NAF0045-180X	VARIISTOR(ZNR)		1	K1,K0
	VA791	NAF0043-8R0X	VARIISTOR(ZNR)		1	
	VA792	NAF0043-8R0X	VARIISTOR(ZNR)		1	
	VA793	NAF0044-270X	VARIISTOR(ZNR)		1	
	VA794	NAF0044-270X	VARIISTOR(ZNR)		1	
	VA801	EZJP0270EA	VARIISTOR		1	E2,E7,X1,M1,M2
	VA802	EZJP0270EA	VARIISTOR		1	E2,E7,X1,M1,M2
	VA803	EZJP0270EA	VARIISTOR		1	E2,E7,X1,M1,M2
	VA823	NAF0044-270X	VARIISTOR(ZNR)		1	
	VA824	NAF0044-270X	VARIISTOR(ZNR)		1	
	VA835	NAF0044-270X	VARIISTOR(ZNR)		1	
	VA921	NAF0029-002X	ESD SUPPRESSOR		1	
	X301	NAX1248-001X	CRYSTAL		1	
	X302	NAX1137-001X	CRYSTAL		1	
	X501	NAX1204-001X	CRYSTAL		1	
	X921	L7H-0069-00	TCXO		1	
	X922	NAX1248-001X	CRYSTAL		1	
	X951	L7H-0052-00	SPXO		1	X1,M1,M2
<b>SUB PWB ASSY(XJ4-002E-01) &lt;XJ4&gt;</b>						
	IC106	BD12KA5WFP-X	IC		1	E2,E7
	IC701	IT68013FN/BX	MOS IC		1	E2,E7
	Q702	2SK3019-X	MOS FET		1	E2,E7
	D701	DA2J101	DIODE		1	E2,E7
	C117	CK73FXR1A106K	C CAPACITOR	10uF 10V K	1	E2,E7
	C118	CK73GXR0J106M	C CAPACITOR	10uF 6.3V M	1	E2,E7
	C119	CK73GXR0J106M	C CAPACITOR	10uF 6.3V M	1	E2,E7
	C121	CK73GXR0J106M	C CAPACITOR	10uF 6.3V M	1	E2,E7
	C139	CK73HBB1A104K	C CAPACITOR	0.1uF 10V K	1	E2,E7
	C140	CK73EXR0J476M	C CAPACITOR	47uF 6.3V M	1	E2,E7
	C146	CK73HBB1C473K	C CAPACITOR	0.047uF 16V K	1	E2,E7
	C700	CK73HBB1A104K	C CAPACITOR	0.1uF 10V K	1	E2,E7
	C702	CK73HBB1A104K	C CAPACITOR	0.1uF 10V K	1	E2,E7
	C703	CC73HCH1H470J	C CAPACITOR	47pF 50V J	1	E2,E7
	C704	CK73HBB1A104K	C CAPACITOR	0.1uF 10V K	1	E2,E7
	C705	CK73HBB1A104K	C CAPACITOR	0.1uF 10V K	1	E2,E7
	C706	CK73HBB1H102K	C CAPACITOR	1000pF 50V K	1	E2,E7
	C707	CK73HBB1A104K	C CAPACITOR	0.1uF 10V K	1	E2,E7
	C708	CK73HBB1A104K	C CAPACITOR	0.1uF 10V K	1	E2,E7
	C709	CK73HBB1A104K	C CAPACITOR	0.1uF 10V K	1	E2,E7
	C710	CK73HBB1A104K	C CAPACITOR	0.1uF 10V K	1	E2,E7
	C711	CK73HBB1A104K	C CAPACITOR	0.1uF 10V K	1	E2,E7
	C712	CK73HBB1A104K	C CAPACITOR	0.1uF 10V K	1	E2,E7
	C713	CK73HBB1A104K	C CAPACITOR	0.1uF 10V K	1	E2,E7
	C714	CK73HBB1A104K	C CAPACITOR	0.1uF 10V K	1	E2,E7
	C715	CK73HBB1A104K	C CAPACITOR	0.1uF 10V K	1	E2,E7
	C716	CK73HBB1A104K	C CAPACITOR	0.1uF 10V K	1	E2,E7
	C717	CK73HBB1A104K	C CAPACITOR	0.1uF 10V K	1	E2,E7
	C718	CC73HCH1H080D	C CAPACITOR	8pF 50V D	1	E2,E7
	C719	CC73HCH1H080D	C CAPACITOR	8pF 50V D	1	E2,E7
	C720	CK73HBB1A104K	C CAPACITOR	0.1uF 10V K	1	E2,E7
	C721	CK73HBB1A104K	C CAPACITOR	0.1uF 10V K	1	E2,E7
	C722	CK73HBB1A104K	C CAPACITOR	0.1uF 10V K	1	E2,E7
	C723	CK73HBB1H102K	C CAPACITOR	1000pF 50V K	1	E2,E7
	C724	CK73HXR0J105K	C CAPACITOR	1uF 6.3V K	1	E2,E7
	C725	CK73HXR0J105K	C CAPACITOR	1uF 6.3V K	1	E2,E7
	C726	CK73HXR0J105K	C CAPACITOR	1uF 6.3V K	1	E2,E7
	C727	CK73HXR0J105K	C CAPACITOR	1uF 6.3V K	1	E2,E7
	C728	CK73HXR0J105K	C CAPACITOR	1uF 6.3V K	1	E2,E7
	R122	RK73GB2A000J	MG RESISTOR	0Ω 1/10W J	1	E2,E7
	R150	RK73HB1J225J	MG RESISTOR	2.2MΩ 1/16W J	1	E2,E7
	R154	RK73FB2B000J	MG RESISTOR	0Ω 1/8W J	1	E2,E7
	R167	RK73HB1J101J	MG RESISTOR	100Ω 1/16W J	1	E2,E7
	R169	RK73HB1J304J	MG RESISTOR	300kΩ 1/16W J	1	E2,E7
	R175	RK73HB1J000J	MG RESISTOR	0Ω 1/16W J	1	E2,E7
	R186	RK73GB2A000J	MG RESISTOR	0Ω 1/10W J	1	E2,E7
	R187	RK73GB2A000J	MG RESISTOR	0Ω 1/10W J	1	E2,E7
	R188	RK73GB2A000J	MG RESISTOR	0Ω 1/10W J	1	E2,E7
	R189	RK73GB2A000J	MG RESISTOR	0Ω 1/10W J	1	E2,E7
	R195	RK73GB2A000J	MG RESISTOR	0Ω 1/10W J	1	E2,E7
	R196	RK73GB2A000J	MG RESISTOR	0Ω 1/10W J	1	E2,E7
	R701	RK73HB1J330J	MG RESISTOR	33Ω 1/16W J	1	E2,E7
	R702	RK73HB1J330J	MG RESISTOR	33Ω 1/16W J	1	E2,E7
	R703	RK73HB1J330J	MG RESISTOR	33Ω 1/16W J	1	E2,E7
	R705	RK73HB1J472J	MG RESISTOR	4.7kΩ 1/16W J	1	E2,E7
	R706	RK73HB1J101J	MG RESISTOR	100Ω 1/16W J	1	E2,E7
	R708	RK73HB1J330J	MG RESISTOR	33Ω 1/16W J	1	E2,E7
	R710	RK73HB1J330J	MG RESISTOR	33Ω 1/16W J	1	E2,E7
	R711	RK73HB1J330J	MG RESISTOR	33Ω 1/16W J	1	E2,E7
	R713	RK73HB1J330J	MG RESISTOR	33Ω 1/16W J	1	E2,E7
	R715	RK73HB1J330J	MG RESISTOR	33Ω 1/16W J	1	E2,E7

MODEL	MARK	MODEL	MARK	MODEL	MARK	MODEL	MARK
DNX7170DABS	E2	DNX8170DABS	E7	DNX874S	K1	DNX9170DABS	X1
DNX9170S	M1	DNX9170SM	M2	DNX994S	K0		

Safe	Symbol No.	Parts No.	Parts Name	Description	QTY	Local
	R716	RK73HB1J101J	MG RESISTOR	100Ω 1/16W J	1	E2,E7
	R717	RK73HB1J101J	MG RESISTOR	100Ω 1/16W J	1	E2,E7
	R718	RK73HB1J330J	MG RESISTOR	33Ω 1/16W J	1	E2,E7
	R719	RK73HB1J302J	MG RESISTOR	3kΩ 1/16W J	1	E2,E7
	R720	RK73HB1J152J	MG RESISTOR	1.5kΩ 1/16W J	1	E2,E7
	R731	RK73HB1J330J	MG RESISTOR	33Ω 1/16W J	1	E2,E7
	R732	RK73HB1J330J	MG RESISTOR	33Ω 1/16W J	1	E2,E7
	R735	RK73HB1J000J	MG RESISTOR	0Ω 1/16W J	1	E2,E7
	R741	RK73HB1J105J	MG RESISTOR	1MΩ 1/16W J	1	E2,E7
	R750	RK73HB1J272J	MG RESISTOR	2.7kΩ 1/16W J	1	E2,E7
	R755	RK73HB1J330J	MG RESISTOR	33Ω 1/16W J	1	E2,E7
	R776	RK73HB1J473J	MG RESISTOR	47kΩ 1/16W J	1	E2,E7
	R778	RK73HB1J103J	MG RESISTOR	10kΩ 1/16W J	1	E2,E7
	R779	RK73HB1J103J	MG RESISTOR	10kΩ 1/16W J	1	E2,E7
	RA700	RK74HB1J330J	NET RESISTOR	33Ω 1/16W J	1	E2,E7
	RA701	RK74HB1J330J	NET RESISTOR	33Ω 1/16W J	1	E2,E7
	RA702	RK74HB1J330J	NET RESISTOR	33Ω 1/16W J	1	E2,E7
	RA703	RK74HB1J330J	NET RESISTOR	33Ω 1/16W J	1	E2,E7
	RA704	RK74HB1J330J	NET RESISTOR	33Ω 1/16W J	1	E2,E7
	RA705	RK74HB1J330J	NET RESISTOR	33Ω 1/16W J	1	E2,E7
	L1	LB73G0BK-003	CHIP FERRITE		1	E2,E7
	L2	LB73G0BK-003	CHIP FERRITE		1	E2,E7
	CN100	QGB0803J2-40X	B TO B CONNE	B-B (1-40)	1	E2,E7
	CN101	QGA1501F4-03W	W TO B CONNE	W-B (1-3)	1	E2,E7
	J100	NNZ0292-001X	HDMI CONNECTOR		1	E2,E7
	VA103	EZJP0270EA	VARIATOR		1	E2,E7
	VA104	NAF0019-001X	VARIATOR(ZNR)		1	E2,E7
	VA106	EZJP0270EA	VARIATOR		1	E2,E7
	VA107	NAF0019-001X	VARIATOR(ZNR)		1	E2,E7
	VA108	NAF0019-001X	VARIATOR(ZNR)		1	E2,E7
	VA109	NAF0019-001X	VARIATOR(ZNR)		1	E2,E7
	VA110	NAF0031-001X	ESD SUPPRESSOR		1	E2,E7
	VA111	NAF0031-001X	ESD SUPPRESSOR		1	E2,E7
	X700	L7J-0052-00	QUARTZ CRYSTAL		1	E2,E7
DIGITAL IO PWB ASSY(XJA-056x-0x) <XJA>						
	IC501	TCC8930G-0CX2	MPU IC	BGA	1	E2,E7,K1,K0
	IC501	-----	MPU IC	NO SERVICE PART	1	X1,M1,M2
	IC503	W3F-0293-00	IC		1	E2,E7
	IC503	W3F-0295-00	IC		1	K1,K0
	IC503	-----	IC	NO SERVICE PART	1	X1,M1,M2
	IC525	-----	ROM IC	NO SERVICE PART	1	E2,E7
	IC525	-----	ROM IC	NO SERVICE PART	1	K1,K0
	IC525	-----	ROM IC	NO SERVICE PART	1	X1,M1,M2
	IC531	K4B4G1646DBCMA	IC	BGA	1	E2,E7,X1,M1,M2
	IC531	H5TQ463CFRRDC	DRAM IC	BGA	1	K1,K0
	IC532	K4B4G1646DBCMA	IC	BGA	1	E2,E7,X1,M1,M2
	IC532	H5TQ463CFRRDC	DRAM IC	BGA	1	K1,K0
	IC541	ML86250LAZ07F	MOS IC	BGA	1	
	IC543	TC7WBL3305CFK	MOS IC		1	
	IC544	TC7SH08FUJC	MOS IC		1	
	IC545	TC7SH32FUJC	MOS IC		1	
	IC546	TC7SH08FUJC	MOS IC		1	
	IC563	MF1337S395901	MCU IC		1	
	IC571	TPS2543RTE	MOS IC		1	
	IC573	CYUSB230268LI	MOS IC		1	
	IC574	XC6223B121PG-X	IC		1	
	IC591	MP9943AGQ	ANALOG IC		1	
	IC592	MP9943AGQ	ANALOG IC		1	
	IC593	BD33KA5WFP	MOS IC		1	
	IC594	XC6223H251M-G	ANALOG IC		1	
	IC595	BU18TD3WG	MOS IC		1	
	IC596	BD001C0EEFJ-M	ANALOG IC		1	
	IC597	BD15KA5WFP-X	IC		1	
	IC598	BD82032FVJ-G-X	IC		1	E7
	IC599	TPS2065CDBV	MOS IC		1	E7
	IC600	BD2224G-W	IC		1	E7
	IC601	MP9943AGQ	ANALOG IC		1	
	IC602	TC7SH08FUJC	MOS IC		1	
	IC631	NJM2561F1	BIPOLAR IC		1	
	IC651	BU17101AKV-M	MOS IC		1	E2,E7,X1,M1,M2
	Q5401	LSCR523EBFS8	TRANSISTOR		1	
	Q5402	LSCR523EBFS8	TRANSISTOR		1	
	Q5403	LSCR523EBFS8	TRANSISTOR		1	
	Q5603	LTC014YEBFS8	DIGI TRANSISTOR		1	
	Q5604	LTC014YEBFS8	DIGI TRANSISTOR		1	
	Q5605	LTC014YEBFS8	DIGI TRANSISTOR		1	
	Q5606	LTC014YEBFS8	DIGI TRANSISTOR		1	
	Q5607	LSAR523UBFS8	TRANSISTOR		1	
	Q5608	2SC4617EB/QR/	TRANSISTOR		1	
	Q5801	LTA014YEBFS8	DIGI TRANSISTOR		1	E2,E7
	Q5871	LTC014YEBFS8	DIGI TRANSISTOR		1	
	Q5901	LTA014EEBFS8	DIGI TRANSISTOR		1	
	Q5902	LSCR523EBFS8	TRANSISTOR		1	
	Q6301	LTC014YEBFS8	DIGI TRANSISTOR		1	
	D5871	QSMR-C13SBCMN	LED		1	
	D6501	DF2S6.8UFSM	ZENER DIODE		1	E7
	D6502	DF2S6.8UFSM	ZENER DIODE		1	E7
	C631	CK73GBB1C105K	C CAPACITOR	1uF 16V K	1	
	C632	CK73HBB1C104K	C CAPACITOR	0.1uF 16V K	1	
	C633	CK73FXR1C106K	C CAPACITOR	10uF 16V K	1	
	C5001	CS77FBK0J101M	TA E CAPACITOR	100uF 6.3V M	1	
	C5002	CS77FBK0J101M	TA E CAPACITOR	100uF 6.3V M	1	

MODEL	MARK	MODEL	MARK	MODEL	MARK	MODEL	MARK
DNX7170DABS	E2	DNX8170DABS	E7	DNX874S	K1	DNX9170DABS	X1
DNX9170S	M1	DNX9170SM	M2	DNX994S	K0		

Safe	Symbol No.	Parts No.	Parts Name	Description	QTY	Local
	C5003	CS77FBK0J101M	TA E CAPACITOR	100uF 6.3V M	1	
	C5004	CK73HBB1C104K	C CAPACITOR	0.1uF 16V K	1	
	C5005	CK73HXR0J105K	C CAPACITOR	1uF 6.3V K	1	
	C5006	CK73HBB1C104K	C CAPACITOR	0.1uF 16V K	1	
	C5007	CK73HBB1C104K	C CAPACITOR	0.1uF 16V K	1	
	C5008	CK73HBB1C104K	C CAPACITOR	0.1uF 16V K	1	
	C5009	CK73HBB1C104K	C CAPACITOR	0.1uF 16V K	1	
	C5010	CK73HBB1C104K	C CAPACITOR	0.1uF 16V K	1	
	C5014	CK73HBB1C104K	C CAPACITOR	0.1uF 16V K	1	
	C5015	CK73HBB1C104K	C CAPACITOR	0.1uF 16V K	1	
	C5016	CK73HBB1C104K	C CAPACITOR	0.1uF 16V K	1	
	C5018	CK73HBB1C104K	C CAPACITOR	0.1uF 16V K	1	
	C5019	CK73HXR0J105K	C CAPACITOR	1uF 6.3V K	1	
	C5020	CC73HCH1H181J	C CAPACITOR	180pF 50V J	1	
	C5021	CK73HBB1C104K	C CAPACITOR	0.1uF 16V K	1	
	C5022	CK73HBB1C104K	C CAPACITOR	0.1uF 16V K	1	
	C5023	CK73HBB1C104K	C CAPACITOR	0.1uF 16V K	1	
	C5024	CK73HBB1C104K	C CAPACITOR	0.1uF 16V K	1	
	C5025	CK73HBB1C104K	C CAPACITOR	0.1uF 16V K	1	
	C5026	CK73HBB1C104K	C CAPACITOR	0.1uF 16V K	1	
	C5027	CK73HBB1C104K	C CAPACITOR	0.1uF 16V K	1	
	C5028	CK73HBB1C104K	C CAPACITOR	0.1uF 16V K	1	
	C5029	CK73HBB1C104K	C CAPACITOR	0.1uF 16V K	1	
	C5030	CK73HBB1C104K	C CAPACITOR	0.1uF 16V K	1	
	C5031	CK73HBB1C104K	C CAPACITOR	0.1uF 16V K	1	
	C5032	CK73HBB1C104K	C CAPACITOR	0.1uF 16V K	1	
	C5033	CK73HBB1C104K	C CAPACITOR	0.1uF 16V K	1	
	C5034	CK73HBB1C104K	C CAPACITOR	0.1uF 16V K	1	
	C5035	CK73HBB1C104K	C CAPACITOR	0.1uF 16V K	1	
	C5036	CK73HBB1C104K	C CAPACITOR	0.1uF 16V K	1	
	C5037	CK73HBB1C104K	C CAPACITOR	0.1uF 16V K	1	
	C5038	CK73HBB1C104K	C CAPACITOR	0.1uF 16V K	1	
	C5039	CK73HBB1C104K	C CAPACITOR	0.1uF 16V K	1	
	C5041	CK73HBB1C104K	C CAPACITOR	0.1uF 16V K	1	
	C5045	CK73HBB1C104K	C CAPACITOR	0.1uF 16V K	1	
	C5047	CK73HBB1C104K	C CAPACITOR	0.1uF 16V K	1	
	C5048	CK73HBB1C104K	C CAPACITOR	0.1uF 16V K	1	
	C5049	CK73HBB1C104K	C CAPACITOR	0.1uF 16V K	1	
	C5053	CK73HBB1C104K	C CAPACITOR	0.1uF 16V K	1	
	C5054	CK73HBB1C104K	C CAPACITOR	0.1uF 16V K	1	
	C5055	CK73HBB1C104K	C CAPACITOR	0.1uF 16V K	1	
	C5056	CK73HBB1C104K	C CAPACITOR	0.1uF 16V K	1	
	C5057	CC73HCH1H080D	C CAPACITOR	8pF 50V D	1	
	C5058	CK73HBB1C104K	C CAPACITOR	0.1uF 16V K	1	
	C5061	CK73HBB1C104K	C CAPACITOR	0.1uF 16V K	1	
	C5062	CK73HBB1C104K	C CAPACITOR	0.1uF 16V K	1	
	C5063	CK73HBB1C104K	C CAPACITOR	0.1uF 16V K	1	
	C5065	CK73HBB1C104K	C CAPACITOR	0.1uF 16V K	1	
	C5066	CK73HBB1C104K	C CAPACITOR	0.1uF 16V K	1	
	C5067	CK73HBB1C104K	C CAPACITOR	0.1uF 16V K	1	
	C5068	CK73HBB1C104K	C CAPACITOR	0.1uF 16V K	1	
	C5069	CK73HBB1C104K	C CAPACITOR	0.1uF 16V K	1	
	C5071	CK73HBB1C104K	C CAPACITOR	0.1uF 16V K	1	
	C5072	CK73HBB1C104K	C CAPACITOR	0.1uF 16V K	1	
	C5073	CK73HBB1C104K	C CAPACITOR	0.1uF 16V K	1	
	C5074	CK73HBB1C104K	C CAPACITOR	0.1uF 16V K	1	
	C5075	CK73HBB1C104K	C CAPACITOR	0.1uF 16V K	1	
	C5076	CK73HBB1C104K	C CAPACITOR	0.1uF 16V K	1	
	C5077	CK73HBB1C104K	C CAPACITOR	0.1uF 16V K	1	
	C5078	CK73HBB1C104K	C CAPACITOR	0.1uF 16V K	1	
	C5079	CK73HBB1C104K	C CAPACITOR	0.1uF 16V K	1	
	C5080	CC73HCH1H100D	C CAPACITOR	10pF 50V D	1	
	C5083	CK73HBB1C104K	C CAPACITOR	0.1uF 16V K	1	
	C5084	CK73HBB1C104K	C CAPACITOR	0.1uF 16V K	1	
	C5085	CK73HBB1C104K	C CAPACITOR	0.1uF 16V K	1	
	C5086	CK73HBB1C104K	C CAPACITOR	0.1uF 16V K	1	
	C5087	CK73HBB1C104K	C CAPACITOR	0.1uF 16V K	1	
	C5088	CK73HBB1C104K	C CAPACITOR	0.1uF 16V K	1	
	C5089	CK73HBB1C104K	C CAPACITOR	0.1uF 16V K	1	
	C5096	CC73HCH1H102J	C CAPACITOR	1000pF 50V J	1	
	C5097	CC73HCH1H102J	C CAPACITOR	1000pF 50V J	1	
	C5098	CC73HCH1H102J	C CAPACITOR	1000pF 50V J	1	
	C5099	CS77FBK0J101M	TA E CAPACITOR	100uF 6.3V M	1	
	C5100	CC73HCH1H102J	C CAPACITOR	1000pF 50V J	1	
	C5102	CK73HBB1C104K	C CAPACITOR	0.1uF 16V K	1	
	C5103	CK73HBB1C104K	C CAPACITOR	0.1uF 16V K	1	
	C5104	CK73HBB1C104K	C CAPACITOR	0.1uF 16V K	1	
	C5201	CS77FBK0J101M	TA E CAPACITOR	100uF 6.3V M	1	
	C5202	CC73HCH1H102J	C CAPACITOR	1000pF 50V J	1	
	C5203	CK73HBB1C104K	C CAPACITOR	0.1uF 16V K	1	
	C5204	CK73HBB1C104K	C CAPACITOR	0.1uF 16V K	1	
	C5251	CK73FXR1C106K	C CAPACITOR	10uF 16V K	1	
	C5252	CK73FXR1C106K	C CAPACITOR	10uF 16V K	1	
	C5253	CK73HBB1C104K	C CAPACITOR	0.1uF 16V K	1	
	C5255	CK73HBB1C104K	C CAPACITOR	0.1uF 16V K	1	
	C5259	CK73HBB1C104K	C CAPACITOR	0.1uF 16V K	1	
	C5263	CK73FXR1C106K	C CAPACITOR	10uF 16V K	1	
	C5269	CK73FXR1C106K	C CAPACITOR	10uF 16V K	1	
	C5301	CS77FBK0J101M	TA E CAPACITOR	100uF 6.3V M	1	
	C5302	CC73HCH1H181J	C CAPACITOR	180pF 50V J	1	



MODEL	MARK	MODEL	MARK	MODEL	MARK	MODEL	MARK
DNX7170DABS	E2	DNX8170DABS	E7	DNX874S	K1	DNX9170DABS	X1
DNX9170S	M1	DNX9170SM	M2	DNX994S	K0		

Safe	Symbol No.	Parts No.	Parts Name	Description	QTY	Local
	C5484	CK73HBB1C104K	C CAPACITOR	0.1uF 16V K	1	
	C5485	CK73HBB1C104K	C CAPACITOR	0.1uF 16V K	1	
	C5486	CK73HBB1C104K	C CAPACITOR	0.1uF 16V K	1	
	C5487	CK73HBB1C104K	C CAPACITOR	0.1uF 16V K	1	
	C5488	CK73HBB1C104K	C CAPACITOR	0.1uF 16V K	1	
	C5489	CK73HBB1C104K	C CAPACITOR	0.1uF 16V K	1	
	C5490	CK73HBB1C104K	C CAPACITOR	0.1uF 16V K	1	
	C5491	CK73FXR1C106K	C CAPACITOR	10uF 16V K	1	
	C5493	CK73FXR1C106K	C CAPACITOR	10uF 16V K	1	
	C5494	CK73GXR0J106M	C CAPACITOR	10uF 6.3V M	1	
	C5495	CK73GXR0J106M	C CAPACITOR	10uF 6.3V M	1	
	C5496	CK73FXR1C106K	C CAPACITOR	10uF 16V K	1	
	C5497	CK73GXR0J106M	C CAPACITOR	10uF 6.3V M	1	
	C5498	CK73FXR1C106K	C CAPACITOR	10uF 16V K	1	
	C5499	CK73GXR0J106M	C CAPACITOR	10uF 6.3V M	1	
	C5500	CK73HBB1H103K	C CAPACITOR	0.01uF 50V K	1	
	C5501	CK73HBB1H103K	C CAPACITOR	0.01uF 50V K	1	
	C5502	CK73HBB1H103K	C CAPACITOR	0.01uF 50V K	1	
	C5503	CK73HBB1H103K	C CAPACITOR	0.01uF 50V K	1	
	C5504	CC73HCH1H102J	C CAPACITOR	1000pF 50V J	1	
	C5505	CC73HCH1H102J	C CAPACITOR	1000pF 50V J	1	
	C5506	CC73HCH1H102J	C CAPACITOR	1000pF 50V J	1	
	C5507	CK73GGB1C105K	C CAPACITOR	1uF 16V K	1	
	C5508	CK73GGB1C105K	C CAPACITOR	1uF 16V K	1	
	C5509	CK73GGB1C105K	C CAPACITOR	1uF 16V K	1	
	C5510	CK73GGB1C105K	C CAPACITOR	1uF 16V K	1	
	C5511	CC73HCH1H100D	C CAPACITOR	10pF 50V D	1	
	C5512	CC73HCH1H100D	C CAPACITOR	10pF 50V D	1	
	C5513	CK73GGB1C105K	C CAPACITOR	1uF 16V K	1	
	C5514	CK73GGB1C105K	C CAPACITOR	1uF 16V K	1	
	C5515	CK73GGB1C105K	C CAPACITOR	1uF 16V K	1	
	C5517	CK73GXR0J106M	C CAPACITOR	10uF 6.3V M	1	
	C5518	CK73FXR1C106K	C CAPACITOR	10uF 16V K	1	
	C5519	CK73FXR1C106K	C CAPACITOR	10uF 16V K	1	
	C5520	CK73HBB1C104K	C CAPACITOR	0.1uF 16V K	1	
	C5521	CK73GGB1C105K	C CAPACITOR	1uF 16V K	1	
	C5523	CK73GGB1C105K	C CAPACITOR	1uF 16V K	1	
	C5524	CK73GGB1C105K	C CAPACITOR	1uF 16V K	1	
	C5530	CK73HBB1C104K	C CAPACITOR	0.1uF 16V K	1	
	C5531	CK73GGB1C105K	C CAPACITOR	1uF 16V K	1	
	C5532	CK73GGB1C105K	C CAPACITOR	1uF 16V K	1	
	C5533	CK73GGB1C105K	C CAPACITOR	1uF 16V K	1	
	C5632	CK73HBB1C104K	C CAPACITOR	0.1uF 16V K	1	
	C5701	CK73HBB1C104K	C CAPACITOR	0.1uF 16V K	1	
	C5704	CC73HCH1H080D	C CAPACITOR	8pF 50V D	1	
	C5705	CC73HCH1H080D	C CAPACITOR	8pF 50V D	1	
	C5710	CK73HBB1C104K	C CAPACITOR	0.1uF 16V K	1	
	C5711	CK73HBB1C104K	C CAPACITOR	0.1uF 16V K	1	
	C5712	CK73HBB1C104K	C CAPACITOR	0.1uF 16V K	1	
	C5713	CK73HBB1C104K	C CAPACITOR	0.1uF 16V K	1	
	C5714	CK73HBB1C104K	C CAPACITOR	0.1uF 16V K	1	
	C5715	CK73HBB1C104K	C CAPACITOR	0.1uF 16V K	1	
	C5716	CK73HBB1C104K	C CAPACITOR	0.1uF 16V K	1	
	C5717	CK73HBB1C104K	C CAPACITOR	0.1uF 16V K	1	
	C5718	CK73HBB1C104K	C CAPACITOR	0.1uF 16V K	1	
	C5719	CK73HBB1C104K	C CAPACITOR	0.1uF 16V K	1	
	C5720	CK73HBB1C104K	C CAPACITOR	0.1uF 16V K	1	
	C5721	CK73HBB1C104K	C CAPACITOR	0.1uF 16V K	1	
	C5722	CK73HBB1C104K	C CAPACITOR	0.1uF 16V K	1	
	C5723	CK73HBB1C104K	C CAPACITOR	0.1uF 16V K	1	
	C5724	CK73HBB1C104K	C CAPACITOR	0.1uF 16V K	1	
	C5725	CK73HBB1C104K	C CAPACITOR	0.1uF 16V K	1	
	C5726	CK73HBB1C104K	C CAPACITOR	0.1uF 16V K	1	
	C5727	CK73HBB1C104K	C CAPACITOR	0.1uF 16V K	1	
	C5728	CK73HBB1C104K	C CAPACITOR	0.1uF 16V K	1	
	C5729	CK73HBB1C104K	C CAPACITOR	0.1uF 16V K	1	
	C5730	CK73FXR1C106K	C CAPACITOR	10uF 16V K	1	
	C5731	CK73FXR1C106K	C CAPACITOR	10uF 16V K	1	
	C5740	CK73FXR1C106K	C CAPACITOR	10uF 16V K	1	
	C5741	CK73FXR1C106K	C CAPACITOR	10uF 16V K	1	
	C5903	CK73EXR1E106K	C CAPACITOR	10uF 25V K	1	
	C5904	CK73EXR1E106K	C CAPACITOR	10uF 25V K	1	
	C5905	CK73GXR1E224K	C CAPACITOR	0.022uF 25V K	1	
	C5907	CK73HBB1C104K	C CAPACITOR	0.1uF 16V K	1	
	C5908	CK73HBB1C104K	C CAPACITOR	0.1uF 16V K	1	
	C5910	CC73HCH1H560J	C CAPACITOR	56pF 50V J	1	
	C5911	CK73EXR1A476K	C CAPACITOR	47uF 10V K	1	
	C5912	CK73EXR1A476K	C CAPACITOR	47uF 10V K	1	
	C5913	CC73HCH1H221J	C CAPACITOR	220pF 50V J	1	
	C5916	CK73EXR1E106K	C CAPACITOR	10uF 25V K	1	
	C5917	CK73EXR1E106K	C CAPACITOR	10uF 25V K	1	
	C5918	CK73GXR1E224K	C CAPACITOR	0.022uF 25V K	1	
	C5920	CK73HBB1C104K	C CAPACITOR	0.1uF 16V K	1	
	C5921	CK73HBB1C104K	C CAPACITOR	0.1uF 16V K	1	
	C5923	CC73HCH1H470J	C CAPACITOR	47pF 50V J	1	
	C5924	CK73EXR1A476K	C CAPACITOR	47uF 10V K	1	
	C5925	CK73EXR1A476K	C CAPACITOR	47uF 10V K	1	
	C5926	CC73HCH1H221J	C CAPACITOR	220pF 50V J	1	
	C5927	CK73FXR1C106K	C CAPACITOR	10uF 16V K	1	
	C5928	CK73FXR1C106K	C CAPACITOR	10uF 16V K	1	

MODEL	MARK	MODEL	MARK	MODEL	MARK	MODEL	MARK
DNX7170DABS	E2	DNX8170DABS	E7	DNX874S	K1	DNX9170DABS	X1
DNX9170S	M1	DNX9170SM	M2	DNX994S	K0		

Safe	Symbol No.	Parts No.	Parts Name	Description	QTY	Local
	C5931	CK73FXR1C106K	C CAPACITOR	10uF 16V K	1	
	C5932	CK73FXR1C106K	C CAPACITOR	10uF 16V K	1	
	C5933	CK73GBB1C105K	C CAPACITOR	1uF 16V K	1	
	C5934	CK73GBB1C105K	C CAPACITOR	1uF 16V K	1	
	C5936	CK73FXR1C106K	C CAPACITOR	10uF 16V K	1	
	C5937	CK73FXR1C106K	C CAPACITOR	10uF 16V K	1	
	C5938	CK73FXR1C106K	C CAPACITOR	10uF 16V K	1	
	C5940	CK73FXR1C106K	C CAPACITOR	10uF 16V K	1	
	C5941	CK73FXR1C106K	C CAPACITOR	10uF 16V K	1	
	C5944	CK73HBB1C104K	C CAPACITOR	0.1uF 16V K	1	E7
	C5945	CK73HBB1C104K	C CAPACITOR	0.1uF 16V K	1	E7
	C5946	CK73HBB1C104K	C CAPACITOR	0.1uF 16V K	1	E7
	C5947	CK73GBB1C105K	C CAPACITOR	1uF 16V K	1	E7
	C5948	CK73HBB1C104K	C CAPACITOR	0.1uF 16V K	1	E7
	C5949	CK73HBB1C104K	C CAPACITOR	0.1uF 16V K	1	E7
	C5961	CC73HCH1H220J	C CAPACITOR	22pF 50V J	1	
	C5962	CC73HCH1H220J	C CAPACITOR	22pF 50V J	1	
	C5963	CC73HCH1H220J	C CAPACITOR	22pF 50V J	1	
	C5965	CK73HBB1H103K	C CAPACITOR	0.01uF 50V K	1	
	C5983	CK73EXR1E106K	C CAPACITOR	10uF 25V K	1	
	C5984	CK73EXR1E106K	C CAPACITOR	10uF 25V K	1	
	C5985	CK73GXR1E224K	C CAPACITOR	0.022uF 25V K	1	
	C5991	CK73HBB1C104K	C CAPACITOR	0.1uF 16V K	1	
	C5993	CK73HBB1C104K	C CAPACITOR	0.1uF 16V K	1	
	C5995	CC73HCH1H470J	C CAPACITOR	47pF 50V J	1	
	C5996	CK73EXR1A476K	C CAPACITOR	47uF 10V K	1	
	C5997	CK73EXR1A476K	C CAPACITOR	47uF 10V K	1	
	C5998	CC73HCH1H221J	C CAPACITOR	220pF 50V J	1	
	C6020	CC73HCH1H100D	C CAPACITOR	10pF 50V D	1	K1,K0
	C6025	CC73HCH1H221J	C CAPACITOR	220pF 50V J	1	
	C6026	CK73FXR1C106K	C CAPACITOR	10uF 16V K	1	
	C6027	CC73HCH1H221J	C CAPACITOR	220pF 50V J	1	
	C6028	CK73HBB1C104K	C CAPACITOR	0.1uF 16V K	1	
	C6029	CK73HBB1H103K	C CAPACITOR	0.01uF 50V K	1	
	C6030	CK73HBB1C104K	C CAPACITOR	0.1uF 16V K	1	
	C6301	CK73HBB1H103K	C CAPACITOR	0.01uF 50V K	1	
	C6501	CK73HBB1C104K	C CAPACITOR	0.1uF 16V K	1	E2,E7,X1,M1,M2
	C6502	CC73HCH1H102J	C CAPACITOR	1000pF 50V J	1	E2,E7,X1,M1,M2
	C6504	CK73HXR0J105K	C CAPACITOR	1uF 6.3V K	1	E2,E7,X1,M1,M2
	C6505	CC73HCH1H102J	C CAPACITOR	1000pF 50V J	1	E2,E7,X1,M1,M2
	C6506	CK73HBB1C104K	C CAPACITOR	0.1uF 16V K	1	E2,E7,X1,M1,M2
	C6507	CC73HCH1H102J	C CAPACITOR	1000pF 50V J	1	E2,E7,X1,M1,M2
	C6508	CK73HBB1C104K	C CAPACITOR	0.1uF 16V K	1	E2,E7,X1,M1,M2
	C6509	CC73HCH1H102J	C CAPACITOR	1000pF 50V J	1	E2,E7,X1,M1,M2
	C6510	CK73HBB1C104K	C CAPACITOR	0.1uF 16V K	1	E2,E7,X1,M1,M2
	C6511	CK73HBB1C104K	C CAPACITOR	0.1uF 16V K	1	E2,E7,X1,M1,M2
	C6512	CC73HCH1H102J	C CAPACITOR	1000pF 50V J	1	E2,E7,X1,M1,M2
	C6514	CK73HBB1C104K	C CAPACITOR	0.1uF 16V K	1	E2,E7,X1,M1,M2
	C6516	CK73HBB1C104K	C CAPACITOR	0.1uF 16V K	1	E2,E7,X1,M1,M2
	C6517	CK73HBB1C104K	C CAPACITOR	0.1uF 16V K	1	E2,E7,X1,M1,M2
	C6518	CC73HCH1H102J	C CAPACITOR	1000pF 50V J	1	E2,E7,X1,M1,M2
	C6519	CK73FXR1C106K	C CAPACITOR	10uF 16V K	1	E2,E7,X1,M1,M2
	R2	RK73GB2A000J	MG RESISTOR	0Ω 1/10W J	1	
	R6	RK73GB2A000J	MG RESISTOR	0Ω 1/10W J	1	
	R631	RK73HH1J750D	MG RESISTOR	75Ω 1/16W D	1	
	R632	RK73HH1J750D	MG RESISTOR	75Ω 1/16W D	1	
	R633	RK73HB1J471J	MG RESISTOR	470Ω 1/16W J	1	
	R5001	RK73HH1J102D	MG RESISTOR	1kΩ 1/16W D	1	
	R5002	RK73HB1J105J	MG RESISTOR	1MΩ 1/16W J	1	
	R5003	RK73HH1J102D	MG RESISTOR	1kΩ 1/16W D	1	
	R5005	RK73HB1J472J	MG RESISTOR	4.7kΩ 1/16W J	1	
	R5007	RK73HB1J472J	MG RESISTOR	4.7kΩ 1/16W J	1	
	R5008	RK73HB1J472J	MG RESISTOR	4.7kΩ 1/16W J	1	
	R5009	RK73HB1J103J	MG RESISTOR	10kΩ 1/16W J	1	
	R5012	RK73HB1J000J	MG RESISTOR	0Ω 1/16W J	1	
	R5014	RK73HB1J000J	MG RESISTOR	0Ω 1/16W J	1	
	R5015	RK73HB1J000J	MG RESISTOR	0Ω 1/16W J	1	
	R5016	RK73HB1J272J	MG RESISTOR	2.7kΩ 1/16W J	1	E2,E7,K1,K0
	R5017	RK73HB1J000J	MG RESISTOR	0Ω 1/16W J	1	
	R5019	RK73HB1J000J	MG RESISTOR	0Ω 1/16W J	1	
	R5020	RK73HB1J272J	MG RESISTOR	2.7kΩ 1/16W J	1	
	R5021	RK73HB1J103J	MG RESISTOR	10kΩ 1/16W J	1	E2
	R5022	RK73HB1J103J	MG RESISTOR	10kΩ 1/16W J	1	E7,K1,X1,M1,M2,K0
	R5023	RK73HB1J272J	MG RESISTOR	2.7kΩ 1/16W J	1	
	R5024	RK73HB1J103J	MG RESISTOR	10kΩ 1/16W J	1	
	R5025	RK73HB1J472J	MG RESISTOR	4.7kΩ 1/16W J	1	
	R5027	RK73HB1J103J	MG RESISTOR	10kΩ 1/16W J	1	
	R5028	RK73HB1J472J	MG RESISTOR	4.7kΩ 1/16W J	1	
	R5029	RK73HB1J272J	MG RESISTOR	2.7kΩ 1/16W J	1	
	R5030	RK73HH1J201D	MG RESISTOR	200Ω 1/16W D	1	
	R5031	RK73HB1J102J	MG RESISTOR	1kΩ 1/16W J	1	
	R5032	RK73HB1J272J	MG RESISTOR	2.7kΩ 1/16W J	1	
	R5033	RK73HB1J272J	MG RESISTOR	2.7kΩ 1/16W J	1	
	R5034	RK73HB1J102J	MG RESISTOR	1kΩ 1/16W J	1	
	R5035	RK73HH1J44R2D	MG RESISTOR	44.2Ω 1/16W D	1	
	R5036	RK73HB1J000J	MG RESISTOR	0Ω 1/16W J	1	
	R5037	RK73HB1J272J	MG RESISTOR	2.7kΩ 1/16W J	1	
	R5038	RK73HB1J000J	MG RESISTOR	0Ω 1/16W J	1	
	R5039	RK73HB1J103J	MG RESISTOR	10kΩ 1/16W J	1	K1,X1,K0
	R5040	RK73HB1J472J	MG RESISTOR	4.7kΩ 1/16W J	1	
	R5043	RK73HH1J241D	MG RESISTOR	240Ω 1/16W D	1	

MODEL	MARK	MODEL	MARK	MODEL	MARK	MODEL	MARK
DNX7170DABS	E2	DNX8170DABS	E7	DNX874S	K1	DNX9170DABS	X1
DNX9170S	M1	DNX9170SM	M2	DNX994S	K0		

Safe	Symbol No.	Parts No.	Parts Name	Description	QTY	Local
	R5044	RK73HB1J122J	MG RESISTOR	1.2kΩ 1/16W J	1	
	R5045	RK73HB1J472J	MG RESISTOR	4.7kΩ 1/16W J	1	
	R5046	RK73HB1J103J	MG RESISTOR	10kΩ 1/16W J	1	
	R5047	RK73HB1J103J	MG RESISTOR	10kΩ 1/16W J	1	
	R5048	RK73HB1J000J	MG RESISTOR	0Ω 1/16W J	1	
	R5050	RK73HB1J272J	MG RESISTOR	2.7kΩ 1/16W J	1	
	R5051	RK73HB1J272J	MG RESISTOR	2.7kΩ 1/16W J	1	
	R5052	RK73GB2A000J	MG RESISTOR	0Ω 1/10W J	1	
	R5053	RK73HB1J103J	MG RESISTOR	10kΩ 1/16W J	1	
	R5054	RK73HB1J103J	MG RESISTOR	10kΩ 1/16W J	1	
	R5057	RK73HB1J223J	MG RESISTOR	22kΩ 1/16W J	1	
	R5058	RK73HB1J101J	MG RESISTOR	100Ω 1/16W J	1	
	R5060	RK73HB1J103J	MG RESISTOR	10kΩ 1/16W J	1	
	R5061	RK73HB1J272J	MG RESISTOR	2.7kΩ 1/16W J	1	
	R5063	RK73HB1J103J	MG RESISTOR	10kΩ 1/16W J	1	
	R5064	RK73HB1J103J	MG RESISTOR	10kΩ 1/16W J	1	
	R5065	RK73HB1J103J	MG RESISTOR	10kΩ 1/16W J	1	
	R5066	RK73HB1J103J	MG RESISTOR	10kΩ 1/16W J	1	
	R5068	RK73HB1J103J	MG RESISTOR	10kΩ 1/16W J	1	
	R5070	RK73HB1J470J	MG RESISTOR	47Ω 1/16W J	1	
	R5071	RK73HB1J470J	MG RESISTOR	47Ω 1/16W J	1	
	R5072	RK73HB1J000J	MG RESISTOR	0Ω 1/16W J	1	
	R5073	RK73HB1J470J	MG RESISTOR	47Ω 1/16W J	1	
	R5074	RK73HB1J103J	MG RESISTOR	10kΩ 1/16W J	1	
	R5076	RK73HB1J000J	MG RESISTOR	0Ω 1/16W J	1	
	R5078	RK73HB1J000J	MG RESISTOR	0Ω 1/16W J	1	
	R5079	RK73HB1J000J	MG RESISTOR	0Ω 1/16W J	1	
	R5081	RK73HB1J000J	MG RESISTOR	0Ω 1/16W J	1	
	R5083	RK73HB1J103J	MG RESISTOR	10kΩ 1/16W J	1	
	R5089	RK73HB1J103J	MG RESISTOR	10kΩ 1/16W J	1	
	R5090	RK73HB1J103J	MG RESISTOR	10kΩ 1/16W J	1	
	R5091	RK73HB1J103J	MG RESISTOR	10kΩ 1/16W J	1	
	R5093	RK73HB1J272J	MG RESISTOR	2.7kΩ 1/16W J	1	
	R5095	RK73HB1J103J	MG RESISTOR	10kΩ 1/16W J	1	
	R5098	RK73HB1J103J	MG RESISTOR	10kΩ 1/16W J	1	
	R5100	RK73HB1J103J	MG RESISTOR	10kΩ 1/16W J	1	
	R5102	RK73HB1J103J	MG RESISTOR	10kΩ 1/16W J	1	
	R5103	RK73HB1J103J	MG RESISTOR	10kΩ 1/16W J	1	
	R5105	RK73HB1J103J	MG RESISTOR	10kΩ 1/16W J	1	
	R5109	RK73HB1J103J	MG RESISTOR	10kΩ 1/16W J	1	
	R5113	RK73HB1J103J	MG RESISTOR	10kΩ 1/16W J	1	
	R5115	RK73HB1J103J	MG RESISTOR	10kΩ 1/16W J	1	
	R5116	RK73HB1J103J	MG RESISTOR	10kΩ 1/16W J	1	
	R5120	RK73HB1J103J	MG RESISTOR	10kΩ 1/16W J	1	E2,E7,X1,M1,M2
	R5122	RK73HB1J000J	MG RESISTOR	0Ω 1/16W J	1	
	R5125	RK73HB1J103J	MG RESISTOR	10kΩ 1/16W J	1	
	R5126	RK73HB1J103J	MG RESISTOR	10kΩ 1/16W J	1	
	R5127	RK73HB1J103J	MG RESISTOR	10kΩ 1/16W J	1	
	R5128	RK73HB1J103J	MG RESISTOR	10kΩ 1/16W J	1	K1,K0
	R5129	RK73HB1J103J	MG RESISTOR	10kΩ 1/16W J	1	
	R5134	RK73HB1J470J	MG RESISTOR	47Ω 1/16W J	1	
	R5135	RK73HB1J470J	MG RESISTOR	47Ω 1/16W J	1	
	R5136	RK73HB1J470J	MG RESISTOR	47Ω 1/16W J	1	
	R5137	RK73HB1J470J	MG RESISTOR	47Ω 1/16W J	1	
	R5139	RK73HB1J470J	MG RESISTOR	47Ω 1/16W J	1	
	R5140	RK73HB1J470J	MG RESISTOR	47Ω 1/16W J	1	
	R5151	RK73HB1J000J	MG RESISTOR	0Ω 1/16W J	1	
	R5152	RK73HB1J272J	MG RESISTOR	2.7kΩ 1/16W J	1	
	R5153	RK73HB1J272J	MG RESISTOR	2.7kΩ 1/16W J	1	
	R5201	RK73GB2A000J	MG RESISTOR	0Ω 1/10W J	1	
	R5203	RK73HB1J103J	MG RESISTOR	10kΩ 1/16W J	1	
	R5204	RK73HB1J472J	MG RESISTOR	4.7kΩ 1/16W J	1	
	R5205	RK73HB1J272J	MG RESISTOR	2.7kΩ 1/16W J	1	
	R5206	RK73HB1J103J	MG RESISTOR	10kΩ 1/16W J	1	
	R5220	RK73HB1J470J	MG RESISTOR	47Ω 1/16W J	1	
	R5221	RK73HB1J470J	MG RESISTOR	47Ω 1/16W J	1	
	R5222	RK73HB1J470J	MG RESISTOR	47Ω 1/16W J	1	
	R5223	RK73HB1J470J	MG RESISTOR	47Ω 1/16W J	1	
	R5224	RK73HB1J470J	MG RESISTOR	47Ω 1/16W J	1	
	R5225	RK73HB1J470J	MG RESISTOR	47Ω 1/16W J	1	
	R5226	RK73HB1J470J	MG RESISTOR	47Ω 1/16W J	1	
	R5227	RK73HB1J470J	MG RESISTOR	47Ω 1/16W J	1	
	R5231	RK73HB1J470J	MG RESISTOR	47Ω 1/16W J	1	
	R5232	RK73HB1J470J	MG RESISTOR	47Ω 1/16W J	1	
	R5233	RK73HB1J470J	MG RESISTOR	47Ω 1/16W J	1	
	R5234	RK73HB1J470J	MG RESISTOR	47Ω 1/16W J	1	
	R5236	RK73HB1J470J	MG RESISTOR	47Ω 1/16W J	1	
	R5237	RK73HB1J470J	MG RESISTOR	47Ω 1/16W J	1	
	R5238	RK73HB1J470J	MG RESISTOR	47Ω 1/16W J	1	
	R5251	RK73GB2A000J	MG RESISTOR	0Ω 1/10W J	1	
	R5265	RK73HB1J473J	MG RESISTOR	47kΩ 1/16W J	1	
	R5266	RK73HB1J473J	MG RESISTOR	47kΩ 1/16W J	1	
	R5268	RK73HB1J820J	MG RESISTOR	82Ω 1/16W J	1	
	R5269	RK73HB1J820J	MG RESISTOR	82Ω 1/16W J	1	
	R5270	RK73HB1J820J	MG RESISTOR	82Ω 1/16W J	1	
	R5271	RK73HB1J820J	MG RESISTOR	82Ω 1/16W J	1	
	R5272	RK73HB1J820J	MG RESISTOR	82Ω 1/16W J	1	
	R5273	RK73HB1J820J	MG RESISTOR	82Ω 1/16W J	1	
	R5274	RK73HB1J820J	MG RESISTOR	82Ω 1/16W J	1	
	R5275	RK73HB1J820J	MG RESISTOR	82Ω 1/16W J	1	

MODEL	MARK	MODEL	MARK	MODEL	MARK	MODEL	MARK
DNX7170DABS	E2	DNX8170DABS	E7	DNX874S	K1	DNX9170DABS	X1
DNX9170S	M1	DNX9170SM	M2	DNX994S	K0		

Safe	Symbol No.	Parts No.	Parts Name	Description	QTY	Local
	R5276	RK73HB1J820J	MG RESISTOR	82Ω 1/16W J	1	
	R5277	RK73HB1J820J	MG RESISTOR	82Ω 1/16W J	1	
	R5278	RK73HB1J820J	MG RESISTOR	82Ω 1/16W J	1	
	R5301	RK73HH1J102D	MG RESISTOR	1kΩ 1/16W D	1	
	R5302	RK73HH1J102D	MG RESISTOR	1kΩ 1/16W D	1	
	R5303	RK73HH1J102D	MG RESISTOR	1kΩ 1/16W D	1	
	R5304	RK73HH1J102D	MG RESISTOR	1kΩ 1/16W D	1	
	R5305	RK73HH1J241D	MG RESISTOR	240Ω 1/16W D	1	
	R5306	RK73HH1J102D	MG RESISTOR	1kΩ 1/16W D	1	
	R5307	RK73HH1J102D	MG RESISTOR	1kΩ 1/16W D	1	
	R5308	RK73HH1J102D	MG RESISTOR	1kΩ 1/16W D	1	
	R5309	RK73HH1J102D	MG RESISTOR	1kΩ 1/16W D	1	
	R5310	RK73HH1J241D	MG RESISTOR	240Ω 1/16W D	1	
	R5311	RK73HH1J102D	MG RESISTOR	1kΩ 1/16W D	1	
	R5312	RK73HH1J102D	MG RESISTOR	1kΩ 1/16W D	1	
	R5313	RK73FB2B000J	MG RESISTOR	0Ω 1/8W J	1	
	R5407	RK73HB1J101J	MG RESISTOR	100Ω 1/16W J	1	
	R5408	RK73HB1J470J	MG RESISTOR	47Ω 1/16W J	1	
	R5410	RK73HB1J221J	MG RESISTOR	220Ω 1/16W J	1	
	R5411	RK73HB1J221J	MG RESISTOR	220Ω 1/16W J	1	
	R5419	RK73HB1J000J	MG RESISTOR	0Ω 1/16W J	1	
	R5420	RK73HB1J000J	MG RESISTOR	0Ω 1/16W J	1	
	R5422	RK73HH1J201D	MG RESISTOR	200Ω 1/16W D	1	
	R5424	RK73HH1J201D	MG RESISTOR	200Ω 1/16W D	1	
	R5425	RK73HH1J201D	MG RESISTOR	200Ω 1/16W D	1	
	R5428	RK73HB1J473J	MG RESISTOR	47kΩ 1/16W J	1	
	R5429	RK73HB1J102J	MG RESISTOR	1kΩ 1/16W J	1	
	R5430	RK73HB1J105J	MG RESISTOR	1MΩ 1/16W J	1	
	R5434	RK73HB1J000J	MG RESISTOR	0Ω 1/16W J	1	
	R5435	RK73HB1J101J	MG RESISTOR	100Ω 1/16W J	1	
	R5437	RK73HB1J000J	MG RESISTOR	0Ω 1/16W J	1	
	R5438	RK73HB1J000J	MG RESISTOR	0Ω 1/16W J	1	
	R5444	RK73HB1J103J	MG RESISTOR	10kΩ 1/16W J	1	
	R5445	RK73HB1J000J	MG RESISTOR	0Ω 1/16W J	1	
	R5450	RK73HB1J000J	MG RESISTOR	0Ω 1/16W J	1	
	R5451	RK73HB1J000J	MG RESISTOR	0Ω 1/16W J	1	
	R5452	RK73HB1J000J	MG RESISTOR	0Ω 1/16W J	1	
	R5453	RK73HB1J000J	MG RESISTOR	0Ω 1/16W J	1	
	R5454	RK73HB1J000J	MG RESISTOR	0Ω 1/16W J	1	
	R5456	RK73HB1J103J	MG RESISTOR	10kΩ 1/16W J	1	
	R5471	RK73HB1J103J	MG RESISTOR	10kΩ 1/16W J	1	
	R5472	RK73HB1J223J	MG RESISTOR	22kΩ 1/16W J	1	
	R5473	RK73HB1J103J	MG RESISTOR	10kΩ 1/16W J	1	
	R5474	RK73HB1J101J	MG RESISTOR	100Ω 1/16W J	1	
	R5477	RK73HB1J101J	MG RESISTOR	100Ω 1/16W J	1	
	R5478	RK73HB1J101J	MG RESISTOR	100Ω 1/16W J	1	
	R5481	RK73HB1J101J	MG RESISTOR	100Ω 1/16W J	1	
	R5482	RK73HB1J101J	MG RESISTOR	100Ω 1/16W J	1	
	R5484	RK73HB1J101J	MG RESISTOR	100Ω 1/16W J	1	
	R5485	RK73HB1J101J	MG RESISTOR	100Ω 1/16W J	1	
	R5486	RK73HB1J101J	MG RESISTOR	100Ω 1/16W J	1	
	R5487	RK73HB1J101J	MG RESISTOR	100Ω 1/16W J	1	
	R5488	RK73HB1J101J	MG RESISTOR	100Ω 1/16W J	1	
	R5489	RK73HB1J101J	MG RESISTOR	100Ω 1/16W J	1	
	R5490	RK73HB1J101J	MG RESISTOR	100Ω 1/16W J	1	
	R5491	RK73HB1J101J	MG RESISTOR	100Ω 1/16W J	1	
	R5494	RK73HB1J000J	MG RESISTOR	0Ω 1/16W J	1	
	R5496	RK73HB1J000J	MG RESISTOR	0Ω 1/16W J	1	
	R5497	RK73HB1J000J	MG RESISTOR	0Ω 1/16W J	1	
	R5501	RK73HH1J201D	MG RESISTOR	200Ω 1/16W D	1	
	R5502	RK73HB1J823J	MG RESISTOR	82kΩ 1/16W J	1	
	R5503	RK73HB1J224J	MG RESISTOR	220kΩ 1/16W J	1	
	R5504	RK73HH1J201D	MG RESISTOR	200Ω 1/16W D	1	
	R5505	RK73HB1J823J	MG RESISTOR	82kΩ 1/16W J	1	
	R5506	RK73HB1J224J	MG RESISTOR	220kΩ 1/16W J	1	
	R5507	RK73HH1J201D	MG RESISTOR	200Ω 1/16W D	1	
	R5508	RK73HB1J823J	MG RESISTOR	82kΩ 1/16W J	1	
	R5509	RK73HB1J224J	MG RESISTOR	220kΩ 1/16W J	1	
	R5631	RK73HB1J000J	MG RESISTOR	0Ω 1/16W J	1	
	R5633	RK73HB1J000J	MG RESISTOR	0Ω 1/16W J	1	
	R5634	RK73HB1J000J	MG RESISTOR	0Ω 1/16W J	1	
	R5641	RK73HB1J122J	MG RESISTOR	1.2kΩ 1/16W J	1	
	R5643	RK73HB1J103J	MG RESISTOR	10kΩ 1/16W J	1	
	R5644	RK73HB1J272J	MG RESISTOR	2.7kΩ 1/16W J	1	
	R5645	RK73HB1J101J	MG RESISTOR	100Ω 1/16W J	1	
	R5646	RK73HB1J101J	MG RESISTOR	100Ω 1/16W J	1	
	R5647	RK73HB1J101J	MG RESISTOR	100Ω 1/16W J	1	
	R5648	RK73HB1J101J	MG RESISTOR	100Ω 1/16W J	1	
	R5649	RK73HB1J473J	MG RESISTOR	47kΩ 1/16W J	1	
	R5650	RK73HB1J101J	MG RESISTOR	100Ω 1/16W J	1	
	R5651	RK73HB1J101J	MG RESISTOR	100Ω 1/16W J	1	
	R5652	RK73HB1J220J	MG RESISTOR	22Ω 1/16W J	1	
	R5653	RK73HB1J220J	MG RESISTOR	22Ω 1/16W J	1	
	R5654	RK73HB1J101J	MG RESISTOR	100Ω 1/16W J	1	
	R5655	RK73HB1J220J	MG RESISTOR	22Ω 1/16W J	1	
	R5656	RK73HB1J220J	MG RESISTOR	22Ω 1/16W J	1	
	R5657	RK73HB1J220J	MG RESISTOR	22Ω 1/16W J	1	
	R5658	RK73HB1J473J	MG RESISTOR	47kΩ 1/16W J	1	
	R5659	RK73HB1J473J	MG RESISTOR	47kΩ 1/16W J	1	
	R5660	RK73HB1J473J	MG RESISTOR	47kΩ 1/16W J	1	

MODEL	MARK	MODEL	MARK	MODEL	MARK	MODEL	MARK
DNX7170DABS	E2	DNX8170DABS	E7	DNX874S	K1	DNX9170DABS	X1
DNX9170S	M1	DNX9170SM	M2	DNX994S	K0		

Safe	Symbol No.	Parts No.	Parts Name	Description	QTY	Local
	R5661	RK73HB1J473J	MG RESISTOR	47kΩ 1/16W J	1	
	R5662	RK73HB1J473J	MG RESISTOR	47kΩ 1/16W J	1	
	R5663	RK73HB1J473J	MG RESISTOR	47kΩ 1/16W J	1	
	R5665	RK73HB1J472J	MG RESISTOR	4.7kΩ 1/16W J	1	
	R5666	RK73HB1J103J	MG RESISTOR	10kΩ 1/16W J	1	
	R5667	RK73HB1J102J	MG RESISTOR	1kΩ 1/16W J	1	
	R5668	RK73HB1J472J	MG RESISTOR	4.7kΩ 1/16W J	1	
	R5669	RK73HB1J272J	MG RESISTOR	2.7kΩ 1/16W J	1	
	R5670	RK73HB1J472J	MG RESISTOR	4.7kΩ 1/16W J	1	
	R5672	RK73HB1J473J	MG RESISTOR	47kΩ 1/16W J	1	
	R5673	RK73HB1J473J	MG RESISTOR	47kΩ 1/16W J	1	E2,E7,K1,K0
	R5674	RK73HB1J473J	MG RESISTOR	47kΩ 1/16W J	1	X1,M1,M2
	R5675	RK73HB1J473J	MG RESISTOR	47kΩ 1/16W J	1	X1,M1,M2
	R5676	RK73HB1J473J	MG RESISTOR	47kΩ 1/16W J	1	X1,M1,M2
	R5677	RK73HB1J473J	MG RESISTOR	47kΩ 1/16W J	1	X1,M1,M2
	R5678	RK73HB1J473J	MG RESISTOR	47kΩ 1/16W J	1	X1,M1,M2
	R5679	RK73HB1J101J	MG RESISTOR	100Ω 1/16W J	1	
	R5680	RK73HB1J101J	MG RESISTOR	100Ω 1/16W J	1	
	R5681	RK73HB1J103J	MG RESISTOR	10kΩ 1/16W J	1	X1,M1,M2
	R5682	RK73HB1J220J	MG RESISTOR	22Ω 1/16W J	1	X1,M1,M2
	R5683	RK73HB1J220J	MG RESISTOR	22Ω 1/16W J	1	X1,M1,M2
	R5684	RK73HB1J201J	MG RESISTOR	200Ω 1/16W J	1	X1,M1,M2
	R5685	RK73HB1J220J	MG RESISTOR	22Ω 1/16W J	1	X1,M1,M2
	R5686	RK73HB1J220J	MG RESISTOR	22Ω 1/16W J	1	X1,M1,M2
	R5687	RK73HB1J220J	MG RESISTOR	22Ω 1/16W J	1	X1,M1,M2
	R5688	RK73HB1J101J	MG RESISTOR	100Ω 1/16W J	1	X1,M1,M2
	R5703	RK73HB1J473J	MG RESISTOR	47kΩ 1/16W J	1	
	R5704	RK73HB1J473J	MG RESISTOR	47kΩ 1/16W J	1	
	R5705	RK73HB1J272J	MG RESISTOR	2.7kΩ 1/16W J	1	
	R5707	RK73HB1J000J	MG RESISTOR	0Ω 1/16W J	1	
	R5709	RK73HB1J473J	MG RESISTOR	47kΩ 1/16W J	1	
	R5712	RK73HB1J272J	MG RESISTOR	2.7kΩ 1/16W J	1	
	R5713	RK73HB1J103J	MG RESISTOR	10kΩ 1/16W J	1	
	R5714	RK73HB1J103J	MG RESISTOR	10kΩ 1/16W J	1	
	R5717	RK73HB1J103J	MG RESISTOR	10kΩ 1/16W J	1	
	R5718	RK73HB1J103J	MG RESISTOR	10kΩ 1/16W J	1	
	R5719	RK73HB1J000J	MG RESISTOR	0Ω 1/16W J	1	
	R5723	RK73HB1J103J	MG RESISTOR	10kΩ 1/16W J	1	
	R5727	RK73HB1J000J	MG RESISTOR	0Ω 1/16W J	1	
	R5729	RK73HB1J103J	MG RESISTOR	10kΩ 1/16W J	1	
	R5731	RK73HB1J103J	MG RESISTOR	10kΩ 1/16W J	1	
	R5732	RK73HB1J103J	MG RESISTOR	10kΩ 1/16W J	1	
	R5733	RK73HB1J201D	MG RESISTOR	200Ω 1/16W D	1	
	R5734	RK73HB1J362D	MG RESISTOR	3.6kΩ 1/16W D	1	
	R5735	RK73HB1J222D	MG RESISTOR	2.2kΩ 1/16W D	1	
	R5736	RK73HB1J241D	MG RESISTOR	240Ω 1/16W D	1	
	R5751	RK73HB1J000J	MG RESISTOR	0Ω 1/16W J	1	
	R5752	RK73HB1J000J	MG RESISTOR	0Ω 1/16W J	1	
	R5755	RK73GB2A000J	MG RESISTOR	0Ω 1/10W J	1	
	R5756	RK73GB2A000J	MG RESISTOR	0Ω 1/10W J	1	
	R5759	RK73GB2A000J	MG RESISTOR	0Ω 1/10W J	1	
	R5760	RK73GB2A000J	MG RESISTOR	0Ω 1/10W J	1	
	R5790	RK73HB1J101J	MG RESISTOR	100Ω 1/16W J	1	
	R5791	RK73HB1J101J	MG RESISTOR	100Ω 1/16W J	1	
	R5801	RK73HB1J272J	MG RESISTOR	2.7kΩ 1/16W J	1	E2,E7
	R5802	RK73HB1J473J	MG RESISTOR	47kΩ 1/16W J	1	E2,E7
	R5804	RK73HB1J101J	MG RESISTOR	100Ω 1/16W J	1	
	R5805	RK73HB1J101J	MG RESISTOR	100Ω 1/16W J	1	
	R5806	RK73HB1J101J	MG RESISTOR	100Ω 1/16W J	1	
	R5808	RK73HB1J101J	MG RESISTOR	100Ω 1/16W J	1	
	R5809	RK73HB1J101J	MG RESISTOR	100Ω 1/16W J	1	
	R5810	RK73HB1J101J	MG RESISTOR	100Ω 1/16W J	1	
	R5811	RK73HB1J101J	MG RESISTOR	100Ω 1/16W J	1	
	R5812	RK73HB1J101J	MG RESISTOR	100Ω 1/16W J	1	
	R5813	RK73HB1J101J	MG RESISTOR	100Ω 1/16W J	1	
	R5815	RK73HB1J101J	MG RESISTOR	100Ω 1/16W J	1	
	R5816	RK73HB1J101J	MG RESISTOR	100Ω 1/16W J	1	
	R5817	RK73HB1J000J	MG RESISTOR	0Ω 1/16W J	1	
	R5828	RK73HB1J101J	MG RESISTOR	100Ω 1/16W J	1	
	R5830	RK73HB1J101J	MG RESISTOR	100Ω 1/16W J	1	
	R5831	RK73HB1J000J	MG RESISTOR	0Ω 1/16W J	1	
	R5832	RK73HB1J101J	MG RESISTOR	100Ω 1/16W J	1	
	R5833	RK73HB1J101J	MG RESISTOR	100Ω 1/16W J	1	
	R5834	RK73HB1J101J	MG RESISTOR	100Ω 1/16W J	1	E2,E7,K1,K0
	R5834	RK73HB1J000J	MG RESISTOR	0Ω 1/16W J	1	X1,M1,M2
	R5836	RK73HB1J331J	MG RESISTOR	330Ω 1/16W J	1	
	R5837	RK73HB1J101J	MG RESISTOR	100Ω 1/16W J	1	
	R5838	RK73HB1J101J	MG RESISTOR	100Ω 1/16W J	1	
	R5839	RK73HB1J101J	MG RESISTOR	100Ω 1/16W J	1	
	R5840	RK73HB1J101J	MG RESISTOR	100Ω 1/16W J	1	
	R5841	RK73HB1J101J	MG RESISTOR	100Ω 1/16W J	1	
	R5842	RK73HB1J000J	MG RESISTOR	0Ω 1/16W J	1	
	R5843	RK73HB1J101J	MG RESISTOR	100Ω 1/16W J	1	
	R5844	RK73HB1J000J	MG RESISTOR	0Ω 1/16W J	1	
	R5845	RK73HB1J000J	MG RESISTOR	0Ω 1/16W J	1	
	R5846	RK73HB1J000J	MG RESISTOR	0Ω 1/16W J	1	
	R5847	RK73HB1J101J	MG RESISTOR	100Ω 1/16W J	1	
	R5853	RK73HB1J101J	MG RESISTOR	100Ω 1/16W J	1	
	R5855	RK73HB1J101J	MG RESISTOR	100Ω 1/16W J	1	
	R5856	RK73HB1J101J	MG RESISTOR	100Ω 1/16W J	1	
	R5857	RK73HB1J101J	MG RESISTOR	100Ω 1/16W J	1	
	R5858	RK73HB1J101J	MG RESISTOR	100Ω 1/16W J	1	

MODEL	MARK	MODEL	MARK	MODEL	MARK	MODEL	MARK
DNX7170DABS	E2	DNX8170DABS	E7	DNX874S	K1	DNX9170DABS	X1
DNX9170S	M1	DNX9170SM	M2	DNX994S	K0		

Safe	Symbol No.	Parts No.	Parts Name	Description	QTY	Local
	R5859	RK73HB1J101J	MG RESISTOR	100Ω 1/16W J	1	
	R5861	RK73HB1J101J	MG RESISTOR	100Ω 1/16W J	1	E2,E7,M1,M2
	R5862	RK73HB1J000J	MG RESISTOR	0Ω 1/16W J	1	E2,E7,M1,M2
	R5869	RK73HB1J473J	MG RESISTOR	47kΩ 1/16W J	1	
	R5871	RK73GB2A681J	MG RESISTOR	680Ω 1/10W J	1	
	R5887	RK73HB1J000J	MG RESISTOR	0Ω 1/16W J	1	
	R5911	RK73HB1J101J	MG RESISTOR	100Ω 1/16W J	1	
	R5914	RK73HB1J102J	MG RESISTOR	1kΩ 1/16W J	1	
	R5915	RK73HB1J473J	MG RESISTOR	47kΩ 1/16W J	1	
	R5916	RK73FB2B000J	MG RESISTOR	0Ω 1/8W J	1	
	R5918	RK73GB2A200J	MG RESISTOR	20Ω 1/10W J	1	
	R5920	RK73HH1J103D	MG RESISTOR	10kΩ 1/16W D	1	
	R5921	RK73HB1J000J	MG RESISTOR	0Ω 1/16W J	1	
	R5922	RK73HH1J102D	MG RESISTOR	1kΩ 1/16W D	1	
	R5923	RK73HH1J222D	MG RESISTOR	2.2kΩ 1/16W D	1	
	R5924	RK73HH1J393D	MG RESISTOR	39kΩ 1/16W D	1	
	R5925	RK73HH1J123D	MG RESISTOR	12kΩ 1/16W D	1	
	R5926	RK73GB2A331J	MG RESISTOR	330Ω 1/10W J	1	
	R5927	RK73HB1J101J	MG RESISTOR	100Ω 1/16W J	1	
	R5928	RK73GB2A200J	MG RESISTOR	20Ω 1/10W J	1	
	R5930	RK73HH1J273D	MG RESISTOR	27kΩ 1/16W D	1	
	R5931	RK73HB1J000J	MG RESISTOR	0Ω 1/16W J	1	
	R5932	RK73HH1J183D	MG RESISTOR	18kΩ 1/16W D	1	
	R5933	RK73HH1J183D	MG RESISTOR	18kΩ 1/16W D	1	
	R5934	RK73HH1J183D	MG RESISTOR	18kΩ 1/16W D	1	
	R5935	RK73HH1J563D	MG RESISTOR	56kΩ 1/16W D	1	
	R5937	RK73HB1J103J	MG RESISTOR	10kΩ 1/16W J	1	
	R5938	RK73HB1J104J	MG RESISTOR	100kΩ 1/16W J	1	
	R5942	RK73HB1J473J	MG RESISTOR	47kΩ 1/16W J	1	E7
	R5947	RK73HB1J103J	MG RESISTOR	10kΩ 1/16W J	1	E7
	R5949	RK73HB1J101J	MG RESISTOR	100Ω 1/16W J	1	E7
	R5950	RK73HB1J101J	MG RESISTOR	100Ω 1/16W J	1	E7
	R5952	RK73GB2A000J	MG RESISTOR	0Ω 1/10W J	1	E2,K1,X1,M1,M2,K0
	R5954	RK73HH1J183D	MG RESISTOR	18kΩ 1/16W D	1	
	R5955	RK73HH1J153D	MG RESISTOR	15kΩ 1/16W D	1	
	R5956	RK73HH1J751D	MG RESISTOR	750Ω 1/16W D	1	
	R5957	RK73HB1J103J	MG RESISTOR	10kΩ 1/16W J	1	E7
	R5959	RK73HB1J101J	MG RESISTOR	100Ω 1/16W J	1	E7
	R5962	RK73HB1J272J	MG RESISTOR	2.7kΩ 1/16W J	1	E2,E7,X1,M1,M2
	R5962	RK73HB1J223J	MG RESISTOR	22kΩ 1/16W J	1	K1,K0
	R5964	RK73HB1J102J	MG RESISTOR	1kΩ 1/16W J	1	
	R5965	RK73HB1J102J	MG RESISTOR	1kΩ 1/16W J	1	
	R5967	RK73HB1J221J	MG RESISTOR	220Ω 1/16W J	1	
	R5970	RK73GB2A331J	MG RESISTOR	330Ω 1/10W J	1	
	R5971	RK73GB2A331J	MG RESISTOR	330Ω 1/10W J	1	
	R5987	RK73HB1J101J	MG RESISTOR	100Ω 1/16W J	1	
	R5988	RK73GB2A200J	MG RESISTOR	20Ω 1/10W J	1	
	R5990	RK73HH1J273D	MG RESISTOR	27kΩ 1/16W D	1	
	R5991	RK73HB1J000J	MG RESISTOR	0Ω 1/16W J	1	
	R5992	RK73HH1J912D	MG RESISTOR	9.1kΩ 1/16W D	1	
	R5993	RK73HH1J183D	MG RESISTOR	18kΩ 1/16W D	1	
	R5994	RK73HH1J183D	MG RESISTOR	18kΩ 1/16W D	1	
	R5995	RK73HH1J563D	MG RESISTOR	56kΩ 1/16W D	1	
	R6002	RK73HB1J101J	MG RESISTOR	100Ω 1/16W J	1	
	R6003	RK73HB1J101J	MG RESISTOR	100Ω 1/16W J	1	
	R6004	RK73HB1J101J	MG RESISTOR	100Ω 1/16W J	1	
	R6005	RK73HB1J101J	MG RESISTOR	100Ω 1/16W J	1	
	R6007	RK73HB1J000J	MG RESISTOR	0Ω 1/16W J	1	
	R6009	RK73HB1J101J	MG RESISTOR	100Ω 1/16W J	1	
	R6010	RK73HB1J101J	MG RESISTOR	100Ω 1/16W J	1	
	R6011	RK73HB1J101J	MG RESISTOR	100Ω 1/16W J	1	
	R6012	RK73HB1J101J	MG RESISTOR	100Ω 1/16W J	1	
	R6013	RK73HB1J101J	MG RESISTOR	100Ω 1/16W J	1	
	R6014	RK73HB1J101J	MG RESISTOR	100Ω 1/16W J	1	
	R6015	RK73HB1J101J	MG RESISTOR	100Ω 1/16W J	1	
	R6016	RK73HB1J101J	MG RESISTOR	100Ω 1/16W J	1	
	R6017	RK73HB1J4R7J	MG RESISTOR	4.7Ω 1/16W J	1	K1,K0
	R6018	RK73HB1J000J	MG RESISTOR	0Ω 1/16W J	1	K1,K0
	R6019	RK73HB1J4R7J	MG RESISTOR	4.7Ω 1/16W J	1	K1,K0
	R6020	RK73HB1J4R7J	MG RESISTOR	4.7Ω 1/16W J	1	K1,K0
	R6021	RK73HB1J4R7J	MG RESISTOR	4.7Ω 1/16W J	1	K1,K0
	R6022	RK73HB1J4R7J	MG RESISTOR	4.7Ω 1/16W J	1	K1,K0
	R6023	RK73HB1J4R7J	MG RESISTOR	4.7Ω 1/16W J	1	K1,K0
	R6024	RK73HB1J4R7J	MG RESISTOR	4.7Ω 1/16W J	1	K1,K0
	R6025	RK73HB1J4R7J	MG RESISTOR	4.7Ω 1/16W J	1	K1,K0
	R6026	RK73HB1J4R7J	MG RESISTOR	4.7Ω 1/16W J	1	K1,K0
	R6027	RK73HB1J4R7J	MG RESISTOR	4.7Ω 1/16W J	1	K1,K0
	R6028	RK73HB1J4R7J	MG RESISTOR	4.7Ω 1/16W J	1	K1,K0
	R6029	RK73HB1J4R7J	MG RESISTOR	4.7Ω 1/16W J	1	K1,K0
	R6030	RK73HB1J4R7J	MG RESISTOR	4.7Ω 1/16W J	1	K1,K0
	R6031	RK73HB1J4R7J	MG RESISTOR	4.7Ω 1/16W J	1	K1,K0
	R6032	RK73HB1J4R7J	MG RESISTOR	4.7Ω 1/16W J	1	K1,K0
	R6033	RK73HB1J4R7J	MG RESISTOR	4.7Ω 1/16W J	1	K1,K0
	R6034	RK73HB1J4R7J	MG RESISTOR	4.7Ω 1/16W J	1	K1,K0
	R6035	RK73HB1J4R7J	MG RESISTOR	4.7Ω 1/16W J	1	K1,K0
	R6036	RK73HB1J4R7J	MG RESISTOR	4.7Ω 1/16W J	1	K1,K0
	R6037	RK73HB1J4R7J	MG RESISTOR	4.7Ω 1/16W J	1	K1,K0
	R6038	RK73HB1J100J	MG RESISTOR	10Ω 1/16W J	1	K1,K0
	R6039	RK73HB1J4R7J	MG RESISTOR	4.7Ω 1/16W J	1	K1,K0
	R6040	RK73HB1J4R7J	MG RESISTOR	4.7Ω 1/16W J	1	K1,K0



MODEL	MARK	MODEL	MARK	MODEL	MARK	MODEL	MARK
DNX7170DABS	E2	DNX8170DABS	E7	DNX874S	K1	DNX9170DABS	X1
DNX9170S	M1	DNX9170SM	M2	DNX994S	K0		

Safe	Symbol No.	Parts No.	Parts Name	Description	QTY	Local
	R6272	RK73HB1J000J	MG RESISTOR	0Ω 1/16W J	1	K1,X1,M1,M2,K0
	R6273	RK73HB1J000J	MG RESISTOR	0Ω 1/16W J	1	K1,X1,M1,M2,K0
	R6274	RK73HB1J000J	MG RESISTOR	0Ω 1/16W J	1	K1,X1,M1,M2,K0
	R6275	RK73HB1J000J	MG RESISTOR	0Ω 1/16W J	1	K1,X1,M1,M2,K0
	R6276	RK73HB1J000J	MG RESISTOR	0Ω 1/16W J	1	K1,X1,M1,M2,K0
	R6277	RK73HB1J000J	MG RESISTOR	0Ω 1/16W J	1	K1,X1,M1,M2,K0
	R6278	RK73HB1J000J	MG RESISTOR	0Ω 1/16W J	1	K1,X1,M1,M2,K0
	R6279	RK73HB1J000J	MG RESISTOR	0Ω 1/16W J	1	K1,X1,M1,M2,K0
	R6280	RK73HB1J000J	MG RESISTOR	0Ω 1/16W J	1	K1,X1,M1,M2,K0
	R6281	RK73HB1J000J	MG RESISTOR	0Ω 1/16W J	1	K1,X1,M1,M2,K0
	R6282	RK73HB1J000J	MG RESISTOR	0Ω 1/16W J	1	K1,X1,M1,M2,K0
	R6283	RK73HB1J000J	MG RESISTOR	0Ω 1/16W J	1	K1,X1,M1,M2,K0
	R6284	RK73HB1J000J	MG RESISTOR	0Ω 1/16W J	1	K1,X1,M1,M2,K0
	R6285	RK73HB1J000J	MG RESISTOR	0Ω 1/16W J	1	K1,X1,M1,M2,K0
	R6286	RK73HB1J000J	MG RESISTOR	0Ω 1/16W J	1	K1,X1,M1,M2,K0
	R6287	RK73HB1J000J	MG RESISTOR	0Ω 1/16W J	1	K1,X1,M1,M2,K0
	R6288	RK73HB1J000J	MG RESISTOR	0Ω 1/16W J	1	K1,X1,M1,M2,K0
	R6289	RK73HB1J000J	MG RESISTOR	0Ω 1/16W J	1	K1,X1,M1,M2,K0
	R6290	RK73HB1J000J	MG RESISTOR	0Ω 1/16W J	1	K1,X1,M1,M2,K0
	R6291	RK73HB1J000J	MG RESISTOR	0Ω 1/16W J	1	K1,X1,M1,M2,K0
	R6292	RK73HB1J000J	MG RESISTOR	0Ω 1/16W J	1	K1,X1,M1,M2,K0
	R6293	RK73HB1J000J	MG RESISTOR	0Ω 1/16W J	1	K1,X1,M1,M2,K0
	R6294	RK73HB1J000J	MG RESISTOR	0Ω 1/16W J	1	K1,X1,M1,M2,K0
	R6295	RK73HB1J000J	MG RESISTOR	0Ω 1/16W J	1	K1,X1,M1,M2,K0
	R6296	RK73HB1J000J	MG RESISTOR	0Ω 1/16W J	1	K1,X1,M1,M2,K0
	R6301	RK73HB1J220J	MG RESISTOR	22Ω 1/16W J	1	
	R6302	RK73HB1J220J	MG RESISTOR	22Ω 1/16W J	1	
	R6303	RK73HB1J101J	MG RESISTOR	100Ω 1/16W J	1	
	R6304	RK73HB1J101J	MG RESISTOR	100Ω 1/16W J	1	
	R6305	RK73HB1J101J	MG RESISTOR	100Ω 1/16W J	1	
	R6306	RK73HB1J101J	MG RESISTOR	100Ω 1/16W J	1	
	R6307	RK73HB1J220J	MG RESISTOR	22Ω 1/16W J	1	
	R6308	RK73HB1J220J	MG RESISTOR	22Ω 1/16W J	1	
	R6309	RK73HB1J220J	MG RESISTOR	22Ω 1/16W J	1	
	R6310	RK73HB1J220J	MG RESISTOR	22Ω 1/16W J	1	
	R6311	RK73HB1J220J	MG RESISTOR	22Ω 1/16W J	1	
	R6312	RK73HB1J220J	MG RESISTOR	22Ω 1/16W J	1	
	R6313	RK73HB1J220J	MG RESISTOR	22Ω 1/16W J	1	
	R6314	RK73HB1J103J	MG RESISTOR	10kΩ 1/16W J	1	
	R6315	RK73HB1J103J	MG RESISTOR	10kΩ 1/16W J	1	
	R6317	RK73HB1J472J	MG RESISTOR	4.7kΩ 1/16W J	1	
	R6318	RK73HB1J472J	MG RESISTOR	4.7kΩ 1/16W J	1	
	R6319	RK73HB1J472J	MG RESISTOR	4.7kΩ 1/16W J	1	
	R6321	RK73HB1J472J	MG RESISTOR	4.7kΩ 1/16W J	1	
	R6322	RK73HB1J472J	MG RESISTOR	4.7kΩ 1/16W J	1	
	R6323	RK73HB1J103J	MG RESISTOR	10kΩ 1/16W J	1	
	R6324	RK73HB1J472J	MG RESISTOR	4.7kΩ 1/16W J	1	
	R6327	RK73HB1J223J	MG RESISTOR	22kΩ 1/16W J	1	
	R6329	RK73HB1J101J	MG RESISTOR	100Ω 1/16W J	1	
	R6330	RK73HB1J103J	MG RESISTOR	10kΩ 1/16W J	1	
	R6331	RK73HB1J272J	MG RESISTOR	2.7kΩ 1/16W J	1	
	R6506	RK73HB1J272J	MG RESISTOR	2.7kΩ 1/16W J	1	E2,E7,X1,M1,M2
	R6508	RK73HB1J000J	MG RESISTOR	0Ω 1/16W J	1	E2,E7,X1,M1,M2
	R6510	RK73HB1J000J	MG RESISTOR	0Ω 1/16W J	1	E2,E7,X1,M1,M2
	R6512	RK73HB1J102J	MG RESISTOR	1kΩ 1/16W J	1	E2,E7,X1,M1,M2
	R6514	RK73HB1J103J	MG RESISTOR	10kΩ 1/16W J	1	E2,E7,X1,M1,M2
	R6516	RK73HB1J560J	MG RESISTOR	56Ω 1/16W J	1	E2,E7,X1,M1,M2
	R6517	RK73HB1J000J	MG RESISTOR	0Ω 1/16W J	1	E2,E7,X1,M1,M2
	R6518	RK73HB1J000J	MG RESISTOR	0Ω 1/16W J	1	E2,E7,X1,M1,M2
	R6519	RK73HB1J000J	MG RESISTOR	0Ω 1/16W J	1	E2,E7,X1,M1,M2
	R6520	RK73HB1J000J	MG RESISTOR	0Ω 1/16W J	1	E2,E7,X1,M1,M2
	R6521	RK73HB1J000J	MG RESISTOR	0Ω 1/16W J	1	E2,E7,X1,M1,M2
	R6522	RK73HB1J000J	MG RESISTOR	0Ω 1/16W J	1	E2,E7,X1,M1,M2
	R6523	RK73HB1J000J	MG RESISTOR	0Ω 1/16W J	1	E2,E7,X1,M1,M2
	R6524	RK73HB1J000J	MG RESISTOR	0Ω 1/16W J	1	E2,E7,X1,M1,M2
	R6525	RK73HB1J000J	MG RESISTOR	0Ω 1/16W J	1	E2,E7,X1,M1,M2
	R6526	RK73HB1J000J	MG RESISTOR	0Ω 1/16W J	1	E2,E7,X1,M1,M2
	R6527	RK73HB1J000J	MG RESISTOR	0Ω 1/16W J	1	E2,E7,X1,M1,M2
	R6528	RK73HB1J000J	MG RESISTOR	0Ω 1/16W J	1	E2,E7,X1,M1,M2
	R6529	RK73HB1J000J	MG RESISTOR	0Ω 1/16W J	1	E2,E7,X1,M1,M2
	R6530	RK73HB1J000J	MG RESISTOR	0Ω 1/16W J	1	E2,E7,X1,M1,M2
	R6531	RK73HB1J000J	MG RESISTOR	0Ω 1/16W J	1	E2,E7,X1,M1,M2
	R6532	RK73HB1J000J	MG RESISTOR	0Ω 1/16W J	1	E2,E7,X1,M1,M2
	R6533	RK73HB1J000J	MG RESISTOR	0Ω 1/16W J	1	E2,E7,X1,M1,M2
	R6534	RK73HB1J000J	MG RESISTOR	0Ω 1/16W J	1	E2,E7,X1,M1,M2
	RA5001	RK74HB1J103J	NET RESISTOR	10kΩ 1/16W J	1	
	RA5201	RK74HB1J473J	NET RESISTOR	47kΩ 1/16W J	1	
	RA5202	RK74HB1J473J	NET RESISTOR	47kΩ 1/16W J	1	
	L631	LB73G0BK-003	CHIP FERRITE		1	
	L5001	LB73G0BK-002	CHIP FERRITE		1	
	L5002	LB73G0BK-002	CHIP FERRITE		1	
	L5004	LB73G0BK-002	CHIP FERRITE		1	
	L5402	LB73G0BK-003	CHIP FERRITE		1	
	L5403	LB73G0BK-003	CHIP FERRITE		1	
	L5405	LB73G0BK-003	CHIP FERRITE		1	
	L5406	LB73G0BK-003	CHIP FERRITE		1	
	L5501	LB73G0BK-003	CHIP FERRITE		1	
	L5704	LB73G0BK-003	CHIP FERRITE		1	
	L5705	LB73G0BK-003	CHIP FERRITE		1	
	L5706	LB73G0BK-003	CHIP FERRITE		1	

MODEL	MARK	MODEL	MARK	MODEL	MARK	MODEL	MARK
DNX7170DABS	E2	DNX8170DABS	E7	DNX874S	K1	DNX9170DABS	X1
DNX9170S	M1	DNX9170SM	M2	DNX994S	K0		

Safe	Symbol No.	Parts No.	Parts Name	Description	QTY	Local
	L5901	LR7920EW5R1N	CHIP INDUCTOR		1	
	L5902	LR7920HX5R1N	CHIP INDUCTOR		1	
	L5903	LR7920EW5R1N	CHIP INDUCTOR		1	
	L6025	NQLQ2EN-5R1X	INDUCTOR	5.1uH N	1	
	L6502	LB73H0BG-003	CHIP FERRITE		1	E2,E7,X1,M1,M2
	L6503	NQR0560-001X	EMI FILTER		1	E2,E7,X1,M1,M2
	CN527	EC720AT-0516A	FFC FPC CONNE		1	
	CN561	EC720AA-0515A	FFC FPC CONNE		1	
	CN562	QGF0534F7-12X	FFC/FPC CONNE	FFC/FPC (1-12)	1	X1,M1,M2
	CN571	QGA2001F6-05X	W TO B CONNE	W-B (1-5)	1	
	CN572	QGA1501F4-03W	W TO B CONNE	W-B (1-3)	1	
	CN581	EB760AX-05C0B	B TO B CONNE		1	
	CN601	EC720AB-0570A	FFC FPC CONNE		1	
	CN621	QGB0811L2-40X	B TO B CONNE	B-B (1-40)	1	E2,E7
△	F5901	FZA10BF-R50	FUSE (CC)	0.5A	1	E2,K1,X1,M1,M2,K0
△	F5902	FZA10BF-R50	FUSE (CC)	0.5A	1	E2,K1,X1,M1,M2,K0
	VA5730	SDV1005H26//0	VARISTOR		1	
	VA5731	SDV1005H26//0	VARISTOR		1	
	VA5732	SDV1005H26//0	VARISTOR		1	
	VA5733	SDV1005H26//0	VARISTOR		1	
	VA6301	SDV1005H26//0	VARISTOR		1	
	VA6302	SDV1005H26//0	VARISTOR		1	
	VA6303	SDV1005H26//0	VARISTOR		1	
	X5001	NAX1179-001X	CRYSTAL		1	
	X5401	NAX1145-001X	CRYSTAL		1	
	X5701	L7J-0128-00	QUARTZ CRYSTAL		1	
AUDIO PWB ASSY(XJ6-105x-0x) <XJ6>						
	IC1	LV5680NPVC-H	MOS IC		1	
	IC41	XC6223B331PG-X	IC		1	
	IC42	XC6216B852P-G	ANALOG IC		1	
	IC101	JCV8031	IC		1	
	IC115	TC7SH17FUF	MOS IC		1	E2,K1,K0
	IC201	TDA7715	ANALOG IC		1	
	IC260	TC74HCT4053FT	MOS IC		1	K1,K0
	IC261	NJM2794RB2-X	IC		1	K1,K0
	IC301	XC6223B331PG-X	IC		1	
	IC361	W3F-0174-00	IC(MCU)		1	E2,E7,X1
	IC401	SI4706-D50-GMX	IC		1	E2,E7,M1,M2
	IC511	TC7SET32FU-X	IC(DIGITAL)	OR	1	E2,E7,K1,K0
	IC512	TC7SH17FUF	MOS IC		1	E2,E7,K1,K0
	IC590	TC7SZ125FUF	MOS IC		1	E2,E7,X1,M1,M2
	IC601	NJW1240V-X	IC		1	E7,K1,X1,M1,M2,K0
	IC781	BA6956AN	IC		1	
	IC790	BD00C0AWFP	MOS IC		1	
	IC801	ML22Q394-705-X	IC		1	E7,X1,M1,M2
	IC802	BU7241G	MOS IC		1	E7,X1,M1,M2
	IC900	BD00C0AWFP	MOS IC		1	E2,E7,X1
	IC1101	NJM2746V-X	SV-ANALOGUE IC		1	E7,X1,M1,M2,K0
	IC1102	NJM2746V-X	SV-ANALOGUE IC		1	E7,X1,M1,M2,K0
	Q31	LSCR523UBFS8	TRANSISTOR		1	
	Q32	LSAR523UBFS8	TRANSISTOR		1	
	Q51	LTC024EUBFS8	DIGI TRANSISTOR		1	
	Q60	LSAR523UBFS8	TRANSISTOR		1	
	Q61	LSCR523UBFS8	TRANSISTOR		1	
	Q62	LSAR523UBFS8	TRANSISTOR		1	
	Q63	LSCR523UBFS8	TRANSISTOR		1	
	Q80	LTA014YEBFS8	DIGI TRANSISTOR		1	
	Q81	LSAR523UBFS8	TRANSISTOR		1	
	Q82	LSCR523UBFS8	TRANSISTOR		1	
	Q90	LTC024EUBFS8	DIGI TRANSISTOR		1	
	Q96	LSCR523UBFS8	TRANSISTOR		1	
	Q151	LTC014YUBFS8	DIGI TRANSISTOR		1	
	Q152	LTA043ZUBFS8	DIGI TRANSISTOR		1	
	Q155	LTC014YUBFS8	DIGI TRANSISTOR		1	
	Q156	LTA043ZUBFS8	DIGI TRANSISTOR		1	
	Q161	LTC043TUBFS8	DIGI TRANSISTOR		1	
	Q162	LTC043TUBFS8	DIGI TRANSISTOR		1	
	Q163	LTC043TUBFS8	DIGI TRANSISTOR		1	
	Q164	LTC043TUBFS8	DIGI TRANSISTOR		1	
	Q165	LTC043TUBFS8	DIGI TRANSISTOR		1	
	Q191	LTA043ZUBFS8	DIGI TRANSISTOR		1	
	Q193	LTC043TUBFS8	DIGI TRANSISTOR		1	
	Q194	LTC043TUBFS8	DIGI TRANSISTOR		1	
	Q391	2SB1424/R/	TRANSISTOR		1	X1
	Q392	LTC014YUBFS8	DIGI TRANSISTOR		1	X1
	Q451	3SK291F	FET		1	E2,E7,M1,M2
	Q781	LTC014YUBFS8	DIGI TRANSISTOR		1	
	Q801	LTC014YEBFS8	DIGI TRANSISTOR		1	E7,X1,M1,M2
	D1	1N5402-BPC07	DIODE		1	
	D2	GS1J-LTP	DIODE		1	E2,E7,M1,M2
	D11	RB161M-20	SCHOTTKY DIODE		1	
	D31	DZ2J062M	ZENER DIODE		1	K1
	D32	DZ2J110M	ZENER DIODE		1	
	D41	GS1J-LTP	DIODE		1	
	D42	GS1J-LTP	DIODE		1	K1,X1,M1,M2,K0
	D43	GS1J-LTP	DIODE		1	
	D44	GS1J-LTP	DIODE		1	K1,X1,M1,M2,K0
	D55	DZ2J062M	ZENER DIODE		1	
	D60	DA2J101	DIODE		1	
	D71	MC2846-X	SI DIODE		1	
	D80	DA2J101	DIODE		1	

MODEL	MARK	MODEL	MARK	MODEL	MARK	MODEL	MARK
DNX7170DABS	E2	DNX8170DABS	E7	DNX874S	K1	DNX9170DABS	X1
DNX9170S	M1	DNX9170SM	M2	DNX994S	K0		

Safe	Symbol No.	Parts No.	Parts Name	Description	QTY	Local
	D90	DA2J101	DIODE		1	
	D96	DZ2J160M	ZENER DIODE		1	
	D101	MC2846-X	SI DIODE		1	
	D151	MC2846-X	SI DIODE		1	
	D155	MC2846-X	SI DIODE		1	
	D191	MC2846-X	SI DIODE		1	
	D202	DA2J101	DIODE		1	
	D203	MC2846-X	SI DIODE		1	
	D204	MC2846-X	SI DIODE		1	
	D205	MC2846-X	SI DIODE		1	
	D260	DA2J101	DIODE		1	K1,K0
	D261	DZ2J047M	ZENER DIODE		1	K1,K0
	D302	GS1J-LTP	DIODE		1	
	D381	DZ2J033M	ZENER DIODE		1	E2,E7,X1
	D591	DZ2J056M	ZENER DIODE		1	E2,E7,X1,M1,M2
	D781	DZ2J051M	ZENER DIODE		1	
	C1	CD04AZ1C332M2	E CAPACITOR	3300uF 16V M	1	E2,K1
	C1	CD04EW1C332M2	E CAPACITOR	3300uF 16V M	1	E7,X1,M1,M2,K0
	C2	NCZ1114-333X	C CAPACITOR	0.033uF	1	E2,E7,M1,M2
	C3	NCZ1114-333X	C CAPACITOR	0.033uF	1	E2,E7,M1,M2
	C4	NCZ1114-333X	C CAPACITOR	0.033uF	1	E2,E7,M1,M2
	C11	CE32CB1V101M	E CAPACITOR	100uF 35V M	1	
	C12	CK73HBB1H103K	C CAPACITOR	0.01uF 50V K	1	
	C13	CE32CB1C470M	E CAPACITOR	47uF 16V M	1	
	C14	CE32CB1C470M	E CAPACITOR	47uF 16V M	1	
	C15	CE32CB1A101M	E CAPACITOR	100uF 10V M	1	
	C16	CE32CC1C221M	E CAPACITOR	220uF 16V M	1	
	C18	CK73EXR1E106K	C CAPACITOR	10uF 25V K	1	
	C19	CK73EXR1E106K	C CAPACITOR	10uF 25V K	1	
	C20	CE32CC1C221M	E CAPACITOR	220uF 16V M	1	
	C21	CK73GXR1H104K	C CAPACITOR	0.1uF 50V K	1	
	C23	CK73GBB1C105K	C CAPACITOR	1uF 16V K	1	
	C24	CK73GXR1H104K	C CAPACITOR	0.1uF 50V K	1	
	C25	CK73GBB1C224K	C CAPACITOR	0.22uF 16V K	1	
	C26	CK73HBB1C104K	C CAPACITOR	0.1uF 16V K	1	
	C27	CE32CC1C221M	E CAPACITOR	220uF 16V M	1	
	C31	CK73GXR1H104K	C CAPACITOR	0.1uF 50V K	1	
	C32	CK73GBB1H333K	C CAPACITOR	0.033uF 50V K	1	
	C41	CK73GXR1C225K	C CAPACITOR	2.2uF 16V K	1	
	C42	CK73GXR1C225K	C CAPACITOR	2.2uF 16V K	1	
	C43	CK73GXR1C225K	C CAPACITOR	2.2uF 16V K	1	
	C44	CK73GXR1C225K	C CAPACITOR	2.2uF 16V K	1	
	C51	CK73HBB1H103K	C CAPACITOR	0.01uF 50V K	1	
	C52	CK73HXR0J105K	C CAPACITOR	1uF 6.3V K	1	
	C60	CC73HCH1H101J	C CAPACITOR	100pF 50V J	1	
	C71	NCJA1EK-104W-G	C CAPACITOR	0.1uF 25V K	1	
	C80	CK73GXR1C225K	C CAPACITOR	2.2uF 16V K	1	
	C90	CK73HBB1H103K	C CAPACITOR	0.01uF 50V K	1	
	C96	CK73HBB1H103K	C CAPACITOR	0.01uF 50V K	1	
	C97	CK73HBB1H103K	C CAPACITOR	0.01uF 50V K	1	
	C100	CE32CB1C100M	E CAPACITOR	10uF 16V M	1	
	C101	CK73FBB1E474K	C CAPACITOR	0.47uF 25V K	1	
	C102	CK73FBB1E474K	C CAPACITOR	0.47uF 25V K	1	
	C103	CK73FBB1E474K	C CAPACITOR	0.47uF 25V K	1	
	C104	CK73FBB1E474K	C CAPACITOR	0.47uF 25V K	1	
	C105	CC73GCH1H050C	C CAPACITOR	5pF 50V C	1	
	C106	CC73GCH1H050C	C CAPACITOR	5pF 50V C	1	
	C109	CK73FBB1E474K	C CAPACITOR	0.47uF 25V K	1	
	C110	CK73FBB1E474K	C CAPACITOR	0.47uF 25V K	1	
	C111	CK73FBB1E474K	C CAPACITOR	0.47uF 25V K	1	
	C112	CK73FBB1E474K	C CAPACITOR	0.47uF 25V K	1	
	C113	CK73FBB1E474K	C CAPACITOR	0.47uF 25V K	1	
	C114	CK73FBB1E474K	C CAPACITOR	0.47uF 25V K	1	
	C115	CK73GXR1H104K	C CAPACITOR	0.1uF 50V K	1	E2,K1,K0
	C121	CK73HBB1H102K	C CAPACITOR	1000pF 50V K	1	
	C122	CK73HBB1H221K	C CAPACITOR	220pF 50V K	1	
	C123	CK73HBB1H102K	C CAPACITOR	1000pF 50V K	1	
	C124	CK73HBB1H102K	C CAPACITOR	1000pF 50V K	1	
	C125	CK73HBB1H102K	C CAPACITOR	1000pF 50V K	1	
	C126	CK73HBB1H102K	C CAPACITOR	1000pF 50V K	1	
	C127	CK73HBB1H102K	C CAPACITOR	1000pF 50V K	1	
	C128	CK73HBB1H102K	C CAPACITOR	1000pF 50V K	1	
	C131	CK73HBB1H221K	C CAPACITOR	220pF 50V K	1	
	C132	CK73HBB1H102K	C CAPACITOR	1000pF 50V K	1	
	C133	CK73HBB1H221K	C CAPACITOR	220pF 50V K	1	
	C134	CK73HBB1H221K	C CAPACITOR	220pF 50V K	1	
	C135	CK73HBB1H221K	C CAPACITOR	220pF 50V K	1	
	C136	CK73HBB1H221K	C CAPACITOR	220pF 50V K	1	
	C137	CK73HBB1H221K	C CAPACITOR	220pF 50V K	1	
	C138	CK73HBB1H221K	C CAPACITOR	220pF 50V K	1	
	C145	CK73HXR0J105K	C CAPACITOR	1uF 6.3V K	1	
	C146	CK73HXR0J105K	C CAPACITOR	1uF 6.3V K	1	
	C151	CE32CB1C100M	E CAPACITOR	10uF 16V M	1	
	C152	CE32CB1C100M	E CAPACITOR	10uF 16V M	1	
	C153	CK73EBB1C106K	C CAPACITOR	10uF 16V K	1	
	C154	CK73EBB1C106K	C CAPACITOR	10uF 16V K	1	
	C155	CK73EBB1C106K	C CAPACITOR	10uF 16V K	1	
	C171	CK73HBB1H102K	C CAPACITOR	1000pF 50V K	1	
	C172	CK73HBB1H102K	C CAPACITOR	1000pF 50V K	1	
	C173	CK73HBB1H102K	C CAPACITOR	1000pF 50V K	1	
	C174	CK73HBB1H102K	C CAPACITOR	1000pF 50V K	1	
	C175	CK73HBB1H102K	C CAPACITOR	1000pF 50V K	1	

MODEL	MARK	MODEL	MARK	MODEL	MARK	MODEL	MARK
DNX7170DABS	E2	DNX8170DABS	E7	DNX874S	K1	DNX9170DABS	X1
DNX9170S	M1	DNX9170SM	M2	DNX994S	K0		

Safe	Symbol No.	Parts No.	Parts Name	Description	QTY	Local
	C177	CK73HBB1H102K	C CAPACITOR	1000pF 50V K	1	
	C191	CK73EBB1C106K	C CAPACITOR	10uF 16V K	1	
	C192	CK73EBB1C106K	C CAPACITOR	10uF 16V K	1	
	C195	CK73HBB1H102K	C CAPACITOR	1000pF 50V K	1	
	C196	CK73HBB1H102K	C CAPACITOR	1000pF 50V K	1	
	C197	CK73HBB1H102K	C CAPACITOR	1000pF 50V K	1	
	C201	CE32CB1C470M	E CAPACITOR	47uF 16V M	1	
	C202	CK73HBB1H103K	C CAPACITOR	0.01uF 50V K	1	
	C203	CK73HBB1H103K	C CAPACITOR	0.01uF 50V K	1	
	C204	CK73EBB1C106K	C CAPACITOR	10uF 16V K	1	E2,K1
	C205	CK73HXR0J105K	C CAPACITOR	1uF 6.3V K	1	
	C206	CK73GBB1C105K	C CAPACITOR	1uF 16V K	1	
	C207	CK73GXR1C474K	C CAPACITOR	0.47uF 16V K	1	
	C208	CK73GBB1C105K	C CAPACITOR	1uF 16V K	1	
	C209	CK73GXR1C474K	C CAPACITOR	0.47uF 16V K	1	
	C211	CK73GBB1C105K	C CAPACITOR	1uF 16V K	1	
	C212	CK73GBB1C105K	C CAPACITOR	1uF 16V K	1	
	C215	CK73GBB1C105K	C CAPACITOR	1uF 16V K	1	
	C216	CK73GBB1C105K	C CAPACITOR	1uF 16V K	1	
	C217	CK73GBB1C105K	C CAPACITOR	1uF 16V K	1	
	C218	CK73GBB1C105K	C CAPACITOR	1uF 16V K	1	
	C219	CK73GBB1C105K	C CAPACITOR	1uF 16V K	1	
	C220	CK73GBB1C105K	C CAPACITOR	1uF 16V K	1	
	C223	CK73GBB1C105K	C CAPACITOR	1uF 16V K	1	
	C224	CK73GBB1C105K	C CAPACITOR	1uF 16V K	1	
	C225	CK73FXR1C106K	C CAPACITOR	10uF 16V K	1	
	C227	CK73GBB1C105K	C CAPACITOR	1uF 16V K	1	
	C228	CK73GBB1C105K	C CAPACITOR	1uF 16V K	1	
	C229	CK73FXR1C106K	C CAPACITOR	10uF 16V K	1	
	C234	CK73HBB1H103K	C CAPACITOR	0.01uF 50V K	1	
	C235	CK73HBB1H103K	C CAPACITOR	0.01uF 50V K	1	
	C264	CK73HBB1H102K	C CAPACITOR	1000pF 50V K	1	K1,K0
	C265	CK73HBB1H102K	C CAPACITOR	1000pF 50V K	1	K1,K0
	C266	CK73HBB1H102K	C CAPACITOR	1000pF 50V K	1	K1,K0
	C267	CK73FXR1C106K	C CAPACITOR	10uF 16V K	1	K1,K0
	C268	CK73GXR1H104K	C CAPACITOR	0.1uF 50V K	1	K1,K0
	C272	CK73GXR1C225K	C CAPACITOR	2.2uF 16V K	1	K1,K0
	C273	CK73GXR1C225K	C CAPACITOR	2.2uF 16V K	1	K1,K0
	C274	CK73GXR1C225K	C CAPACITOR	2.2uF 16V K	1	K1,K0
	C275	CK73GBB1C105K	C CAPACITOR	1uF 16V K	1	K1,K0
	C276	CK73GBB1C105K	C CAPACITOR	1uF 16V K	1	K1,K0
	C277	CK73GBB1C105K	C CAPACITOR	1uF 16V K	1	K1,K0
	C278	CK73GBB1C105K	C CAPACITOR	1uF 16V K	1	K1,K0
	C279	CK73HBB1H103K	C CAPACITOR	0.01uF 50V K	1	K1,K0
	C280	CK73EXR1E106K	C CAPACITOR	10uF 25V K	1	K1,K0
	C281	CK73EXR1E106K	C CAPACITOR	10uF 25V K	1	K1,K0
	C282	CK73EXR1E106K	C CAPACITOR	10uF 25V K	1	K1,K0
	C283	CK73HBB1H102K	C CAPACITOR	1000pF 50V K	1	K1,K0
	C284	CK73HBB1H102K	C CAPACITOR	1000pF 50V K	1	K1,K0
	C285	CK73HBB1H102K	C CAPACITOR	1000pF 50V K	1	K1,K0
	C286	CK73EXR1E106K	C CAPACITOR	10uF 25V K	1	K1,K0
	C302	CK73GXR1C225K	C CAPACITOR	2.2uF 16V K	1	
	C303	CK73GXR1H104K	C CAPACITOR	0.1uF 50V K	1	
	C304	CK73HBB1H102K	C CAPACITOR	1000pF 50V K	1	
	C305	CK73HBB1C104K	C CAPACITOR	0.1uF 16V K	1	
	C306	CK73FXR1C106K	C CAPACITOR	10uF 16V K	1	
	C308	CK73HBB1C104K	C CAPACITOR	0.1uF 16V K	1	
	C309	CK73HBB1H103K	C CAPACITOR	0.01uF 50V K	1	
	C321	CK73HBB1C104K	C CAPACITOR	0.1uF 16V K	1	
	C322	CK73HBB1H103K	C CAPACITOR	0.01uF 50V K	1	
	C358	CK73HBB1C104K	C CAPACITOR	0.1uF 16V K	1	E2,E7,X1
	C359	CK73HBB1H103K	C CAPACITOR	0.01uF 50V K	1	E2,E7,X1
	C361	CK73HXR0J105K	C CAPACITOR	1uF 6.3V K	1	E2,E7,X1
	C362	CK73HBB1C104K	C CAPACITOR	0.1uF 16V K	1	E2,E7,X1
	C363	CK730AU0J474K	C CAPACITOR	0.47uF 6.3V K	1	E2,E7,X1
	C371	CK73HBB1H103K	C CAPACITOR	0.01uF 50V K	1	E2,E7,X1
	C402	CK73HBB1H102K	C CAPACITOR	1000pF 50V K	1	E2,E7,M1,M2
	C403	CK73FXR1C106K	C CAPACITOR	10uF 16V K	1	E2,E7,M1,M2
	C404	CK73HBB1E223K	C CAPACITOR	0.022uF 25V K	1	E2,E7,M1,M2
	C405	CK73FXR1C106K	C CAPACITOR	10uF 16V K	1	E2,E7,M1,M2
	C406	CK73HBB1C104K	C CAPACITOR	0.1uF 16V K	1	E2,E7,M1,M2
	C407	CC73HCH1H330J	C CAPACITOR	33pF 50V J	1	E2,E7,M1,M2
	C411	CC73GCH1H150J	C CAPACITOR	15pF 50V J	1	E2,E7,M1,M2
	C421	CK73GXR1H104K	C CAPACITOR	0.1uF 50V K	1	E2,E7,M1,M2
	C431	CC73GCH1H220J	C CAPACITOR	22pF 50V J	1	E2,E7,M1,M2
	C432	CC73GCH1H220J	C CAPACITOR	22pF 50V J	1	E2,E7,M1,M2
	C451	CC73GCH1H060D	C CAPACITOR	6pF 50V D	1	E2,E7,M1,M2
	C452	CC73GCH1H040C	C CAPACITOR	4pF 50V C	1	E2,E7,M1,M2
	C453	CK73GBB1H102K	C CAPACITOR	1000pF 50V K	1	E2,E7,M1,M2
	C454	CC73GCH1H560J	C CAPACITOR	56pF 50V J	1	E2,E7,M1,M2
	C462	CK73HBB1H103K	C CAPACITOR	0.01uF 50V K	1	E2,E7,M1,M2
	C463	CK73HBB1H102K	C CAPACITOR	1000pF 50V K	1	E2,E7,M1,M2
	C464	CC73GCH1H030C	C CAPACITOR	3pF 50V C	1	E2,E7,M1,M2
	C501	CK73GXR1C225K	C CAPACITOR	2.2uF 16V K	1	K1,K0
	C502	CK73GXR1C225K	C CAPACITOR	2.2uF 16V K	1	K1,K0
	C503	CK73GXR1C225K	C CAPACITOR	2.2uF 16V K	1	K1,K0
	C511	CK73GXR1H104K	C CAPACITOR	0.1uF 50V K	1	E2,E7,K1,K0
	C512	CK73GXR1H104K	C CAPACITOR	0.1uF 50V K	1	E2,E7,K1,K0
	C590	CK73HBB1H103K	C CAPACITOR	0.01uF 50V K	1	E2,E7,X1,M1,M2
	C591	CK73HXR0J105K	C CAPACITOR	1uF 6.3V K	1	E2,E7,X1,M1,M2

MODEL	MARK	MODEL	MARK	MODEL	MARK	MODEL	MARK
DNX7170DABS	E2	DNX8170DABS	E7	DNX874S	K1	DNX9170DABS	X1
DNX9170S	M1	DNX9170SM	M2	DNX994S	K0		

Safe	Symbol No.	Parts No.	Parts Name	Description	QTY	Local
	C601	CE32CB1C100M	E CAPACITOR	10uF 16V M	1	E7,K1,X1,M1,M2,K0
	C602	CE32CB1C100M	E CAPACITOR	10uF 16V M	1	E7,K1,X1,M1,M2,K0
	C603	CK73EBB1C106K	C CAPACITOR	10uF 16V K	1	E7,K1,X1,M1,M2,K0
	C604	CK73EBB1C106K	C CAPACITOR	10uF 16V K	1	E7,K1,X1,M1,M2,K0
	C605	CK73EBB1C106K	C CAPACITOR	10uF 16V K	1	E7,K1,X1,M1,M2,K0
	C610	CK73EBB1C106K	C CAPACITOR	10uF 16V K	1	E7,K1,X1,M1,M2,K0
	C611	CK73HBB1H103K	C CAPACITOR	0.01uF 50V K	1	E7,K1,X1,M1,M2,K0
	C612	CK73GBB1C105K	C CAPACITOR	1uF 16V K	1	E7,K1,X1,M1,M2,K0
	C613	CK73GBB1C105K	C CAPACITOR	1uF 16V K	1	E7,K1,X1,M1,M2,K0
	C614	CK73GBB1C105K	C CAPACITOR	1uF 16V K	1	E7,K1,X1,M1,M2,K0
	C616	CK73GBB1C105K	C CAPACITOR	1uF 16V K	1	E7,K1,X1,M1,M2,K0
	C618	CK73GBB1C105K	C CAPACITOR	1uF 16V K	1	E7,K1,X1,M1,M2,K0
	C619	CK73GBB1H102K	C CAPACITOR	1000pF 50V K	1	E7,K1,X1,M1,M2,K0
	C711	CK73GXR0J475K	C CAPACITOR	4.7uF 6.3V K	1	E2,K1
	C712	CK73GXR0J475K	C CAPACITOR	4.7uF 6.3V K	1	E2,K1
	C713	CK73GXR0J475K	C CAPACITOR	4.7uF 6.3V K	1	E2,K1
	C714	CK73GXR0J475K	C CAPACITOR	4.7uF 6.3V K	1	E2,K1
	C715	CK73GXR0J475K	C CAPACITOR	4.7uF 6.3V K	1	
	C716	CK73GXR0J475K	C CAPACITOR	4.7uF 6.3V K	1	
	C721	CK73GXR0J475K	C CAPACITOR	4.7uF 6.3V K	1	
	C722	CK73GXR0J475K	C CAPACITOR	4.7uF 6.3V K	1	
	C781	CE32CB1V101M	E CAPACITOR	100uF 35V M	1	
	C790	CK73EXR1E106K	C CAPACITOR	10uF 25V K	1	
	C791	CK73FXR1C106K	C CAPACITOR	10uF 16V K	1	
	C792	CK73FXR1C106K	C CAPACITOR	10uF 16V K	1	
	C802	CK73FXR1C106K	C CAPACITOR	10uF 16V K	1	E7,X1,M1,M2
	C803	CK73FXR1C106K	C CAPACITOR	10uF 16V K	1	E7,X1,M1,M2
	C804	CK73HBB1H103K	C CAPACITOR	0.01uF 50V K	1	E7,X1,M1,M2
	C805	CK73HBB1H103K	C CAPACITOR	0.01uF 50V K	1	E7,X1,M1,M2
	C806	CK73GBB1C105K	C CAPACITOR	1uF 16V K	1	E7,X1,M1,M2
	C807	CK73GXR1H104K	C CAPACITOR	0.1uF 50V K	1	E7,X1,M1,M2
	C808	CK73GXR1H104K	C CAPACITOR	0.1uF 50V K	1	E7,X1,M1,M2
	C809	CC73HCH1H681J	C CAPACITOR	680pF 50V J	1	E7,X1,M1,M2
	C810	CC73HCH1H471J	C CAPACITOR	470pF 50V J	1	E7,X1,M1,M2
	C811	CC73HCH1H471J	C CAPACITOR	470pF 50V J	1	E7,X1,M1,M2
	C812	CK73GBB1C105K	C CAPACITOR	1uF 16V K	1	E7,X1,M1,M2
	C813	CK73GBB1C105K	C CAPACITOR	1uF 16V K	1	E7,X1,M1,M2
	C822	CK73FXR0J226M	C CAPACITOR	22uF 6.3V M	1	E7,X1,M1,M2
	C900	CK73EXR1E106K	C CAPACITOR	10uF 25V K	1	E2,E7,X1
	C901	CK73FXR1C106K	C CAPACITOR	10uF 16V K	1	E2,E7,X1
	C1204	CB73QAD1C106M	FILM CAPACITOR	10uF 16V M	1	E7,X1,M1,M2,K0
	C1711	CB73QAD1C106M	FILM CAPACITOR	10uF 16V M	1	E7,X1,M1,M2,K0
	C1712	CB73QAD1C106M	FILM CAPACITOR	10uF 16V M	1	E7,X1,M1,M2,K0
	C1713	CB73QAD1C106M	FILM CAPACITOR	10uF 16V M	1	E7,X1,M1,M2,K0
	C1714	CB73QAD1C106M	FILM CAPACITOR	10uF 16V M	1	E7,X1,M1,M2,K0
	R1	RK73HB1J000J	MG RESISTOR	0Ω 1/16W J	1	
	R15	RK73GH2A273D	MG RESISTOR	27kΩ 1/10W D	1	
	R17	RK73GH2A472D	MG RESISTOR	4.7kΩ 1/10W D	1	
	R18	RK73HB1J101J	MG RESISTOR	100Ω 1/16W J	1	
	R19	RK73HB1J101J	MG RESISTOR	100Ω 1/16W J	1	
	R23	RK73FB2B000J	MG RESISTOR	0Ω 1/8W J	1	
	R24	RK73FB2B000J	MG RESISTOR	0Ω 1/8W J	1	
	R25	RK73FB2B000J	MG RESISTOR	0Ω 1/8W J	1	
	R27	RK73FB2B000J	MG RESISTOR	0Ω 1/8W J	1	
	R31	RK73EB2E622J	MG RESISTOR	6.2kΩ 1/4W J	1	
	R32	RK73EB2E622J	MG RESISTOR	6.2kΩ 1/4W J	1	
	R33	RK73HH1J753D	MG RESISTOR	75kΩ 1/16W D	1	
	R34	RK73HH1J104D	MG RESISTOR	100kΩ 1/16W D	1	
	R35	RK73HH1J474D	MG RESISTOR	470kΩ 1/16W D	1	
	R36	RK73HB1J224J	MG RESISTOR	220kΩ 1/16W J	1	
	R37	RK73EB2E153J	MG RESISTOR	15kΩ 1/4W J	1	
	R38	RK73GB2A101J	MG RESISTOR	100Ω 1/10W J	1	
	R40	RK73GB2A000J	MG RESISTOR	0Ω 1/10W J	1	E2,E7
	R41	RK73FB2B472J	MG RESISTOR	4.7kΩ 1/8W J	1	
	R42	RK73FB2B472J	MG RESISTOR	4.7kΩ 1/8W J	1	K1,X1,M1,M2,K0
	R51	RK73HB1J102J	MG RESISTOR	1kΩ 1/16W J	1	
	R52	RK73GB2A202J	MG RESISTOR	2kΩ 1/10W J	1	
	R55	RK73GB2A152J	MG RESISTOR	1.5kΩ 1/10W J	1	
	R60	RK73HB1J182J	MG RESISTOR	1.8kΩ 1/16W J	1	
	R61	RK73GB2A111J	MG RESISTOR	110Ω 1/10W J	1	
	R62	RK73HB1J103J	MG RESISTOR	10kΩ 1/16W J	1	
	R63	RK73HB1J243J	MG RESISTOR	24kΩ 1/16W J	1	
	R64	RK73HB1J472J	MG RESISTOR	4.7kΩ 1/16W J	1	
	R65	RK73HB1J472J	MG RESISTOR	4.7kΩ 1/16W J	1	
	R66	RK73HB1J103J	MG RESISTOR	10kΩ 1/16W J	1	
	R67	RK73HB1J473J	MG RESISTOR	47kΩ 1/16W J	1	
	R68	RK73HB1J223J	MG RESISTOR	22kΩ 1/16W J	1	
	R69	RK73HB1J472J	MG RESISTOR	4.7kΩ 1/16W J	1	
	R70	RK73HB1J473J	MG RESISTOR	47kΩ 1/16W J	1	
	R71	RK73GB2A103J	MG RESISTOR	10kΩ 1/10W J	1	K1
	R72	RK73HB1J123J	MG RESISTOR	12kΩ 1/16W J	1	
	R73	RK73HB1J683J	MG RESISTOR	68kΩ 1/16W J	1	
	R74	RK73HB1J103J	MG RESISTOR	10kΩ 1/16W J	1	
	R80	RK73HB1J471J	MG RESISTOR	470Ω 1/16W J	1	
	R81	RK73HB1J473J	MG RESISTOR	47kΩ 1/16W J	1	
	R82	RK73FB2B103J	MG RESISTOR	10kΩ 1/8W J	1	
	R83	RK73HB1J223J	MG RESISTOR	22kΩ 1/16W J	1	
	R84	RK73HB1J473J	MG RESISTOR	47kΩ 1/16W J	1	
	R90	RK73GB2A272J	MG RESISTOR	2.7kΩ 1/10W J	1	
	R91	RK73HB1J102J	MG RESISTOR	1kΩ 1/16W J	1	
	R96	RK73FB2B752J	MG RESISTOR	7.5kΩ 1/8W J	1	
	R97	RK73HB1J753J	MG RESISTOR	75kΩ 1/16W J	1	

MODEL	MARK	MODEL	MARK	MODEL	MARK	MODEL	MARK
DNX7170DABS	E2	DNX8170DABS	E7	DNX874S	K1	DNX9170DABS	X1
DNX9170S	M1	DNX9170SM	M2	DNX994S	K0		

Safe	Symbol No.	Parts No.	Parts Name	Description	QTY	Local
	R98	RK73HB1J223J	MG RESISTOR	22kΩ 1/16W J	1	
	R101	RK73HB1J000J	MG RESISTOR	0Ω 1/16W J	1	E2,K1
	R101	RK73HH1J680D	MG RESISTOR	68Ω 1/16W D	1	E7,X1,M1,M2,K0
	R102	RK73HB1J000J	MG RESISTOR	0Ω 1/16W J	1	E2,K1
	R102	RK73HH1J680D	MG RESISTOR	68Ω 1/16W D	1	E7,X1,M1,M2,K0
	R103	RK73HB1J000J	MG RESISTOR	0Ω 1/16W J	1	E2,K1
	R103	RK73HH1J680D	MG RESISTOR	68Ω 1/16W D	1	E7,X1,M1,M2,K0
	R104	RK73HB1J000J	MG RESISTOR	0Ω 1/16W J	1	E2,K1
	R104	RK73HH1J680D	MG RESISTOR	68Ω 1/16W D	1	E7,X1,M1,M2,K0
	R115	RK73HB1J101J	MG RESISTOR	100Ω 1/16W J	1	E2,K1,K0
	R141	RK73GB2A562J	MG RESISTOR	5.6kΩ 1/10W J	1	
	R142	RK73HB1J331J	MG RESISTOR	330Ω 1/16W J	1	
	R143	RK73HB1J223J	MG RESISTOR	22kΩ 1/16W J	1	
	R144	RK73HB1J751J	MG RESISTOR	750Ω 1/16W J	1	E2,K1
	R144	RK73HB1J432J	MG RESISTOR	4.3kΩ 1/16W J	1	K0
	R145	RK73HB1J333J	MG RESISTOR	33kΩ 1/16W J	1	
	R146	RK73HB1J3R0J	MG RESISTOR	3Ω 1/16W J	1	E2,K1
	R146	RK73HB1J1R0J	MG RESISTOR	1Ω 1/16W J	1	E7,X1,M1,M2,K0
	R147	RK73GB2A000J	MG RESISTOR	0Ω 1/10W J	1	
	R148	RK73GB2A000J	MG RESISTOR	0Ω 1/10W J	1	
	R151	RK73HB1J471J	MG RESISTOR	470Ω 1/16W J	1	
	R152	RK73HB1J471J	MG RESISTOR	470Ω 1/16W J	1	
	R153	RK73HB1J471J	MG RESISTOR	470Ω 1/16W J	1	
	R154	RK73HB1J471J	MG RESISTOR	470Ω 1/16W J	1	
	R155	RK73HB1J471J	MG RESISTOR	470Ω 1/16W J	1	
	R156	RK73HB1J473J	MG RESISTOR	47kΩ 1/16W J	1	
	R157	RK73HB1J000J	MG RESISTOR	0Ω 1/16W J	1	
	R159	RK73HB1J473J	MG RESISTOR	47kΩ 1/16W J	1	
	R160	RK73HB1J473J	MG RESISTOR	47kΩ 1/16W J	1	
	R161	RK73HB1J223J	MG RESISTOR	22kΩ 1/16W J	1	
	R162	RK73HB1J223J	MG RESISTOR	22kΩ 1/16W J	1	
	R163	RK73HB1J223J	MG RESISTOR	22kΩ 1/16W J	1	
	R164	RK73HB1J223J	MG RESISTOR	22kΩ 1/16W J	1	
	R165	RK73HB1J223J	MG RESISTOR	22kΩ 1/16W J	1	
	R171	RK73GB2A101J	MG RESISTOR	100Ω 1/10W J	1	
	R172	RK73GB2A101J	MG RESISTOR	100Ω 1/10W J	1	
	R173	RK73GB2A101J	MG RESISTOR	100Ω 1/10W J	1	
	R174	RK73GB2A101J	MG RESISTOR	100Ω 1/10W J	1	
	R175	RK73GB2A101J	MG RESISTOR	100Ω 1/10W J	1	
	R181	RK73HB1J000J	MG RESISTOR	0Ω 1/16W J	1	E2
	R182	RK73HB1J000J	MG RESISTOR	0Ω 1/16W J	1	E2
	R183	RK73HB1J000J	MG RESISTOR	0Ω 1/16W J	1	E2
	R184	RK73HB1J000J	MG RESISTOR	0Ω 1/16W J	1	E2
	R185	RK73HB1J000J	MG RESISTOR	0Ω 1/16W J	1	E2
	R191	RK73HB1J471J	MG RESISTOR	470Ω 1/16W J	1	
	R192	RK73HB1J471J	MG RESISTOR	470Ω 1/16W J	1	
	R193	RK73HB1J223J	MG RESISTOR	22kΩ 1/16W J	1	
	R194	RK73HB1J223J	MG RESISTOR	22kΩ 1/16W J	1	
	R195	RK73GB2A101J	MG RESISTOR	100Ω 1/10W J	1	
	R196	RK73GB2A101J	MG RESISTOR	100Ω 1/10W J	1	
	R201	RK73GB2A2R2J	MG RESISTOR	2.2Ω 1/10W J	1	
	R202	RK73HB1J102J	MG RESISTOR	1kΩ 1/16W J	1	
	R204	RK73HB1J103J	MG RESISTOR	10kΩ 1/16W J	1	
	R205	RK73HB1J101J	MG RESISTOR	100Ω 1/16W J	1	
	R206	RK73HB1J101J	MG RESISTOR	100Ω 1/16W J	1	
	R209	RK73HB1J101J	MG RESISTOR	100Ω 1/16W J	1	
	R264	RK73HB1J473J	MG RESISTOR	47kΩ 1/16W J	1	K1,K0
	R265	RK73HB1J473J	MG RESISTOR	47kΩ 1/16W J	1	K1,K0
	R266	RK73HB1J473J	MG RESISTOR	47kΩ 1/16W J	1	K1,K0
	R274	RK73HB1J473J	MG RESISTOR	47kΩ 1/16W J	1	K1,K0
	R275	RK73HB1J473J	MG RESISTOR	47kΩ 1/16W J	1	K1,K0
	R276	RK73HB1J473J	MG RESISTOR	47kΩ 1/16W J	1	K1,K0
	R279	RK73HB1J473J	MG RESISTOR	47kΩ 1/16W J	1	K1,K0
	R280	RK73HB1J473J	MG RESISTOR	47kΩ 1/16W J	1	K1,K0
	R281	RK73HB1J473J	MG RESISTOR	47kΩ 1/16W J	1	K1,K0
	R283	RK73HB1J473J	MG RESISTOR	47kΩ 1/16W J	1	K1,K0
	R284	RK73HB1J473J	MG RESISTOR	47kΩ 1/16W J	1	K1,K0
	R285	RK73HB1J473J	MG RESISTOR	47kΩ 1/16W J	1	K1,K0
	R290	RK73HB1J102J	MG RESISTOR	1kΩ 1/16W J	1	K1,K0
	R291	RK73HB1J222J	MG RESISTOR	2.2kΩ 1/16W J	1	K1,K0
	R293	RK73GB2A2R2J	MG RESISTOR	2.2Ω 1/10W J	1	K1,K0
	R294	RK73HB1J473J	MG RESISTOR	47kΩ 1/16W J	1	K1,K0
	R301	RK73HB1J473J	MG RESISTOR	47kΩ 1/16W J	1	
	R331	RK73GB2A000J	MG RESISTOR	0Ω 1/10W J	1	K1,K0
	R332	RK73GB2A000J	MG RESISTOR	0Ω 1/10W J	1	K1,K0
	R333	RK73GB2A000J	MG RESISTOR	0Ω 1/10W J	1	K1,K0
	R334	RK73GB2A000J	MG RESISTOR	0Ω 1/10W J	1	K1,K0
	R361	RK73GB2A2R2J	MG RESISTOR	2.2Ω 1/10W J	1	E2,E7,X1
	R362	RK73HB1J473J	MG RESISTOR	47kΩ 1/16W J	1	E2,E7,X1
	R363	RK73HB1J102J	MG RESISTOR	1kΩ 1/16W J	1	E2,E7,X1
	R364	RK73HB1J473J	MG RESISTOR	47kΩ 1/16W J	1	E2,E7,X1
	R365	RK73HB1J473J	MG RESISTOR	47kΩ 1/16W J	1	E2,E7,X1
	R366	RK73HB1J473J	MG RESISTOR	47kΩ 1/16W J	1	E2,E7,X1
	R367	RK73HB1J473J	MG RESISTOR	47kΩ 1/16W J	1	E2,E7,X1
	R371	RK73HB1J472J	MG RESISTOR	4.7kΩ 1/16W J	1	E2,E7,X1
	R372	RK73HB1J472J	MG RESISTOR	4.7kΩ 1/16W J	1	E2,E7,X1
	R373	RK73HB1J102J	MG RESISTOR	1kΩ 1/16W J	1	E2,E7,X1
	R374	RK73HB1J472J	MG RESISTOR	4.7kΩ 1/16W J	1	E2,E7,X1
	R375	RK73HB1J472J	MG RESISTOR	4.7kΩ 1/16W J	1	E2,E7,X1
	R377	RK73HB1J103J	MG RESISTOR	10kΩ 1/16W J	1	E2,E7,X1

MODEL	MARK	MODEL	MARK	MODEL	MARK	MODEL	MARK
DNX7170DABS	E2	DNX8170DABS	E7	DNX874S	K1	DNX9170DABS	X1
DNX9170S	M1	DNX9170SM	M2	DNX994S	K0		

Safe	Symbol No.	Parts No.	Parts Name	Description	QTY	Local
	R378	RK73HB1J000J	MG RESISTOR	0Ω 1/16W J	1	E2,E7,X1
	R379	RK73HB1J102J	MG RESISTOR	1kΩ 1/16W J	1	E2,E7,X1
	R383	RK73HB1J472J	MG RESISTOR	4.7kΩ 1/16W J	1	E2,E7,X1
	R385	RK73HB1J472J	MG RESISTOR	4.7kΩ 1/16W J	1	E2,E7,X1
	R387	RK73HB1J562J	MG RESISTOR	5.6kΩ 1/16W J	1	E2,E7,X1
	R390	RK73HB1J472J	MG RESISTOR	4.7kΩ 1/16W J	1	X1
	R391	RK73GB2A000J	MG RESISTOR	0Ω 1/10W J	1	E2,E7
	R392	RK73HB1J473J	MG RESISTOR	47kΩ 1/16W J	1	X1
	R393	RK73GB2A472J	MG RESISTOR	4.7kΩ 1/10W J	1	X1
	R394	RK73HB1J101J	MG RESISTOR	100Ω 1/16W J	1	X1
	R402	RK73HB1J103J	MG RESISTOR	10kΩ 1/16W J	1	E2,E7,M1,M2
	R421	RK73HB1J202J	MG RESISTOR	2kΩ 1/16W J	1	E2,E7,M1,M2
	R422	RK73HB1J272J	MG RESISTOR	2.7kΩ 1/16W J	1	E2,E7,M1,M2
	R423	RK73HB1J471J	MG RESISTOR	470Ω 1/16W J	1	E2,E7,M1,M2
	R424	RK73HB1J471J	MG RESISTOR	470Ω 1/16W J	1	E2,E7,M1,M2
	R425	RK73HB1J221J	MG RESISTOR	220Ω 1/16W J	1	E2,E7,M1,M2
	R426	RK73HB1J272J	MG RESISTOR	2.7kΩ 1/16W J	1	E2,E7,M1,M2
	R432	RK73GB2A202J	MG RESISTOR	2kΩ 1/10W J	1	E2,E7,M1,M2
	R452	RK73GB2A683J	MG RESISTOR	68kΩ 1/10W J	1	E2,E7,M1,M2
	R453	RK73GB2A153J	MG RESISTOR	15kΩ 1/10W J	1	E2,E7,M1,M2
	R454	RK73GB2A393J	MG RESISTOR	39kΩ 1/10W J	1	E2,E7,M1,M2
	R455	RK73GB2A623J	MG RESISTOR	62kΩ 1/10W J	1	E2,E7,M1,M2
	R456	RK73GB2A472J	MG RESISTOR	4.7kΩ 1/10W J	1	E2,E7,M1,M2
	R457	RK73GB2A200J	MG RESISTOR	20Ω 1/10W J	1	E2,E7,M1,M2
	R500	RK73EB2E000J	MG RESISTOR	0Ω 1/4W J	1	K1,K0
	R501	RK73GB2A100J	MG RESISTOR	10Ω 1/10W J	1	K1,K0
	R502	RK73GB2A100J	MG RESISTOR	10Ω 1/10W J	1	K1,K0
	R503	RK73GB2A100J	MG RESISTOR	10Ω 1/10W J	1	K1,K0
	R511	RK73GB2A101J	MG RESISTOR	100Ω 1/10W J	1	E2,E7,K1,K0
	R512	RK73GB2A101J	MG RESISTOR	100Ω 1/10W J	1	E2,E7,K1,K0
	R513	RK73GB2A101J	MG RESISTOR	100Ω 1/10W J	1	E2,E7,K1,K0
	R514	RK73GB2A2R2J	MG RESISTOR	2.2Ω 1/10W J	1	E2,E7,K1,K0
	R515	RK73HB1J272J	MG RESISTOR	2.7kΩ 1/16W J	1	E2,E7,K1,K0
	R516	RK73HB1J473J	MG RESISTOR	47kΩ 1/16W J	1	E2,E7,K1,K0
	R517	RK73HB1J272J	MG RESISTOR	2.7kΩ 1/16W J	1	E2,E7,K1,K0
	R581	RK73HB1J100J	MG RESISTOR	10Ω 1/16W J	1	K1,K0
	R582	RK73HB1J100J	MG RESISTOR	10Ω 1/16W J	1	K1,K0
	R583	RK73HB1J100J	MG RESISTOR	10Ω 1/16W J	1	K1,K0
	R591	RK73HB1J101J	MG RESISTOR	100Ω 1/16W J	1	E2,E7
	R592	RK73HB1J101J	MG RESISTOR	100Ω 1/16W J	1	X1,M1,M2
	R593	RK73HB1J000J	MG RESISTOR	0Ω 1/16W J	1	E2,E7,X1,M1,M2
	R611	RK73GB2A2R2J	MG RESISTOR	2.2Ω 1/10W J	1	E7,K1,X1,M1,M2,K0
	R612	RK73HB1J103J	MG RESISTOR	10kΩ 1/16W J	1	E7,K1,X1,M1,M2,K0
	R614	RK73HB1J102J	MG RESISTOR	1kΩ 1/16W J	1	E7,K1,X1,M1,M2,K0
	R615	RK73HB1J100J	MG RESISTOR	10Ω 1/16W J	1	E7,K1,X1,M1,M2,K0
	R616	RK73HB1J684J	MG RESISTOR	680kΩ 1/16W J	1	E7,K1,X1,M1,M2,K0
	R781	RK73GB2A102J	MG RESISTOR	1kΩ 1/10W J	1	
	R782	RK73HB1J222J	MG RESISTOR	2.2kΩ 1/16W J	1	
	R784	RK73FB2B000J	MG RESISTOR	0Ω 1/8W J	1	
	R787	RK73HB1J105J	MG RESISTOR	1MΩ 1/16W J	1	
	R788	RK73HB1J000J	MG RESISTOR	0Ω 1/16W J	1	
	R789	RK73HB1J000J	MG RESISTOR	0Ω 1/16W J	1	
	R792	RK73HH1J751D	MG RESISTOR	750Ω 1/16W D	1	
	R793	RK73HH1J822D	MG RESISTOR	8.2kΩ 1/16W D	1	
	R794	RK73HH1J751D	MG RESISTOR	750Ω 1/16W D	1	
	R795	RK73HB1J101J	MG RESISTOR	100Ω 1/16W J	1	
	R801	RK73HB1J000J	MG RESISTOR	0Ω 1/16W J	1	E7,X1,M1,M2
	R802	RK73HB1J223J	MG RESISTOR	22kΩ 1/16W J	1	E7,X1,M1,M2
	R803	RK73HB1J101J	MG RESISTOR	100Ω 1/16W J	1	E7,X1,M1,M2
	R804	RK73HB1J101J	MG RESISTOR	100Ω 1/16W J	1	E7,X1,M1,M2
	R805	RK73HB1J223J	MG RESISTOR	22kΩ 1/16W J	1	E7,X1,M1,M2
	R806	RK73HB1J223J	MG RESISTOR	22kΩ 1/16W J	1	E7,X1,M1,M2
	R807	RK73HB1J153J	MG RESISTOR	15kΩ 1/16W J	1	E7,X1,M1,M2
	R808	RK73HB1J153J	MG RESISTOR	15kΩ 1/16W J	1	E7,X1,M1,M2
	R809	RK73HB1J752J	MG RESISTOR	7.5kΩ 1/16W J	1	E7,X1,M1,M2
	R810	RK73HB1J752J	MG RESISTOR	7.5kΩ 1/16W J	1	E7,X1,M1,M2
	R811	RK73HB1J472J	MG RESISTOR	4.7kΩ 1/16W J	1	E7,X1,M1,M2
	R812	RK73HB1J472J	MG RESISTOR	4.7kΩ 1/16W J	1	E7,X1,M1,M2
	R813	RK73HB1J103J	MG RESISTOR	10kΩ 1/16W J	1	E7,X1,M1,M2
	R814	RK73HB1J103J	MG RESISTOR	10kΩ 1/16W J	1	E7,X1,M1,M2
	R815	RK73HB1J223J	MG RESISTOR	22kΩ 1/16W J	1	E7,X1,M1,M2
	R824	RK73HB1J000J	MG RESISTOR	0Ω 1/16W J	1	
	R825	RK73HB1J000J	MG RESISTOR	0Ω 1/16W J	1	
	R826	RK73HB1J162J	MG RESISTOR	1.6kΩ 1/16W J	1	E7,X1,M1,M2
	R900	RK73HH1J751D	MG RESISTOR	750Ω 1/16W D	1	E2,E7,X1
	R901	RK73HH1J182D	MG RESISTOR	1.8kΩ 1/16W D	1	E2,E7,X1
	R902	RK73HH1J751D	MG RESISTOR	750Ω 1/16W D	1	E2,E7,X1
	R967	RK73GB2A000J	MG RESISTOR	0Ω 1/10W J	1	
	R968	RK73GB2A000J	MG RESISTOR	0Ω 1/10W J	1	
	R1101	RK73GB2A000J	MG RESISTOR	0Ω 1/10W J	1	E2,K1
	R1101	RK73GH2A680D	MG RESISTOR	68Ω 1/10W D	1	E7,X1,M1,M2,K0
	R1102	RK73GB2A000J	MG RESISTOR	0Ω 1/10W J	1	E2,K1
	R1102	RK73GH2A680D	MG RESISTOR	68Ω 1/10W D	1	E7,X1,M1,M2,K0
	R1103	RK73GB2A000J	MG RESISTOR	0Ω 1/10W J	1	E2,K1
	R1103	RK73GH2A680D	MG RESISTOR	68Ω 1/10W D	1	E7,X1,M1,M2,K0
	R1104	RK73GB2A000J	MG RESISTOR	0Ω 1/10W J	1	E2,K1
	R1104	RK73GH2A680D	MG RESISTOR	68Ω 1/10W D	1	E7,X1,M1,M2,K0
	R1111	RK73HB1J120J	MG RESISTOR	12Ω 1/16W J	1	E2,K1
	R1112	RK73HB1J120J	MG RESISTOR	12Ω 1/16W J	1	E2,K1
	R1113	RK73HB1J120J	MG RESISTOR	12Ω 1/16W J	1	E2,K1
	R1114	RK73HB1J120J	MG RESISTOR	12Ω 1/16W J	1	E2,K1
	R1146	RK73HB1J000J	MG RESISTOR	0Ω 1/16W J	1	E2,K1

MODEL	MARK	MODEL	MARK	MODEL	MARK	MODEL	MARK
DNX7170DABS	E2	DNX8170DABS	E7	DNX874S	K1	DNX9170DABS	X1
DNX9170S	M1	DNX9170SM	M2	DNX994S	K0		

Safe	Symbol No.	Parts No.	Parts Name	Description	QTY	Local
	R1146	RK73HH1J160D	MG RESISTOR	16Ω 1/16W D	1	E7,X1,M1,M2,K0
	L1	QQR1909-001	CHOKO COIL		1	
	L301	LR73Z0AD4R7M	CHIP INDUCTOR	4.7uH	1	
	L401	LB73G0BF-002	CHIP FERRITE		1	E2,E7,M1,M2
	L411	NQLD8DJ-R15X	INDUCTOR	0.15uH J	1	E2,E7,M1,M2
	L412	NQLQ3DG-22NX	INDUCTOR	22nH G	1	E2,E7,M1,M2
	L451	NQLD8DJ-R56X	INDUCTOR	0.56uH J	1	E2,E7,M1,M2
	L452	NQLD8DJ-R15X	INDUCTOR	0.15uH J	1	E2,E7,M1,M2
	L461	LB73G0BF-002	CHIP FERRITE		1	E2,E7,M1,M2
	L601	LK73G0AQ1R0K	M.CHIP INDUCTOR	1uH	1	E7,K1,X1,M1,M2,K0
	A301	QAU0567-001	TUNER		1	E2,E7,X1
	A301	QAU0565-001	TUNER		1	K1,K0
	A301	QAU0563-001	TUNER		1	M1,M2
	CN201	EC720AA-0560A	FFC FPC CONNE		1	
	CN301	EC720AA-0550A	FFC FPC CONNE		1	
	CN302	QGA2001C1-04	W TO B CONNE	W-B (1-4)	1	
	CN781	QGA1201F2-05X	W TO B CONNE	W-B (1-5)	1	
△	F6	F53-0513-08	PATTERN FUSE	4A	1	
△	F7	F53-0513-08	PATTERN FUSE	4A	1	
△	F171	F53-0513-08	PATTERN FUSE	4A	1	
△	F191	F53-0513-08	PATTERN FUSE	4A	1	
△	F500	FZA10BZ-2R5	FUSE (CC)		1	E2,E7
△	F581	F53-0513-08	PATTERN FUSE	4A	1	
	J1	E5J-0022-00	R.RECEPTACLE		1	
	J151	QNN0889-001	PIN JACK		1	E2,K1
	J151	QNN0888-001	PIN JACK		1	E7,X1,M1,M2,K0
	J191	QNS0307-001	3.5 JACK		1	
	J351	QNB0353-001	ANT TERMINAL		1	E2,E7,X1
	J501	QNZ0907-001	CIR CONNECTOR		1	E2,E7,K1,K0
	J581	QNS0307-001	3.5 JACK		1	
	P411	NNZ0287-001X	SHIELD CLIP		1	E2,E7,M1,M2
	TH101	PRF18BE471QS5	P THERMISTOR		1	
	VA52	EZJP0270EA	VARIATOR		1	
	VA60	NAF0044-270X	VARIATOR(ZNR)		1	
	VA62	EZJP0270EA	VARIATOR		1	
	VA72	EZJP0270EA	VARIATOR		1	
	VA74	NAF0044-270X	VARIATOR(ZNR)		1	
	VA75	NAF0044-270X	VARIATOR(ZNR)		1	
	VA96	EZJP0270EA	VARIATOR		1	
	VA171	NAF0045-180X	VARIATOR(ZNR)		1	
	VA172	NAF0045-180X	VARIATOR(ZNR)		1	
	VA173	NAF0045-180X	VARIATOR(ZNR)		1	
	VA174	NAF0045-180X	VARIATOR(ZNR)		1	
	VA175	NAF0045-180X	VARIATOR(ZNR)		1	
	VA177	NAF0045-180X	VARIATOR(ZNR)		1	
	VA195	NAF0045-180X	VARIATOR(ZNR)		1	
	VA196	NAF0045-180X	VARIATOR(ZNR)		1	
	VA197	NAF0045-180X	VARIATOR(ZNR)		1	
	VA301	NAF0029-002X	ESD SUPPRESSOR		1	
	VA351	NAF0029-002X	ESD SUPPRESSOR		1	E2,E7,X1
	VA501	NAF0045-180X	VARIATOR(ZNR)		1	K1,K0
	VA502	NAF0045-180X	VARIATOR(ZNR)		1	K1,K0
	VA503	NAF0045-180X	VARIATOR(ZNR)		1	K1,K0
	VA511	EZJP0270EA	VARIATOR		1	E2,E7,K1,K0
	VA512	EZJP0270EA	VARIATOR		1	E2,E7,K1,K0
	VA513	EZJP0270EA	VARIATOR		1	E2,E7,K1,K0
	VA581	NAF0043-8R0X	VARIATOR(ZNR)		1	
	VA582	NAF0043-8R0X	VARIATOR(ZNR)		1	
	VA583	NAF0043-8R0X	VARIATOR(ZNR)		1	
	W301	QAM1484-001	CAR CABLE		1	
	X431	NAX1256-001X	CRYSTAL		1	E2,E7,M1,M2
VIDEO PWB ASSY(XJ8-023x-xx) <XJ8>						
	IC100	W3F-0290-00	MCU IC		1	
	IC102	BU4228F	ANALOG IC		1	
	IC103	XC6223B331PG-X	IC		1	
	IC105	74AHC1G32GW	MOS IC		1	
	IC106	TC7SH17FUF	MOS IC		1	
	IC200	LM3481MMX-X	IC		1	
	IC201	TC7SH17FUF	MOS IC		1	
	IC202	XC6213B332N-G	MOS IC		1	
	IC300	NJM2831F92-X	SV-ANALOGUE IC		1	
	IC400	BU17102AKV-M	MOS IC		1	E2,E7,X1,M1,M2
	IC401	TC7WH125FKJC	MOS IC		1	
	IC402	TC7SH00FUJF	MOS IC		1	
	IC502	-----	MOS IC	NO SERVICE PART	1	
	IC503	XC6223B331PG-X	IC		1	E7,K1,X1,M1,M2,K0
	Q100	LTC014YEBFS8	DIGI TRANSISTOR		1	E7,K1,X1,M1,M2,K0
	Q101	LTC014YEBFS8	DIGI TRANSISTOR		1	
	Q106	LTA014EUBFS8	DIGI TRANSISTOR		1	E7
	Q108	LTC014EUBFS8	DIGI TRANSISTOR		1	E7
	Q200	LTA043ZEBFS8	DIGI TRANSISTOR		1	
	Q201	LSAR523UBFS8	TRANSISTOR		1	
	Q202	RTQ035N03-W	MOS FET		1	
	Q203	LSAR523UBFS8	TRANSISTOR		1	
	Q204	LSCR523UBFS8	TRANSISTOR		1	
	Q205	LSCR523UBFS8	TRANSISTOR		1	
	Q206	LSCR523UBFS8	TRANSISTOR		1	
	Q207	LSAR523UBFS8	TRANSISTOR		1	
	Q208	LSCR523UBFS8	TRANSISTOR		1	

MODEL	MARK	MODEL	MARK	MODEL	MARK	MODEL	MARK
DNX7170DABS	E2	DNX8170DABS	E7	DNX874S	K1	DNX9170DABS	X1
DNX9170S	M1	DNX9170SM	M2	DNX994S	K0		

Safe	Symbol No.	Parts No.	Parts Name	Description	QTY	Local
	Q209	LSCR523UBFS8	TRANSISTOR		1	
	Q210	LSCR523UBFS8	TRANSISTOR		1	
	Q211	LSCR523UBFS8	TRANSISTOR		1	
	Q212	LSCR523UBFS8	TRANSISTOR		1	
	Q213	LTC043ZEBFS8	DIGI TRANSISTOR		1	
	Q214	LTC043ZEBFS8	DIGI TRANSISTOR		1	
	Q215	LTA014YEBFS8	DIGI TRANSISTOR		1	E7
	Q216	LSCR523UBFS8	TRANSISTOR		1	E7
	Q217	LSAR523UBFS8	TRANSISTOR		1	E7
	Q218	SSM3J334R-X	MOS FET		1	E7
	Q219	LSCR523UBFS8	TRANSISTOR		1	E7
	Q300	LSCR523UBFS8	TRANSISTOR		1	
	Q301	LSCR523UBFS8	TRANSISTOR		1	
	Q302	LSAR523UBFS8	TRANSISTOR		1	
	Q303	LTA014YEBFS8	DIGI TRANSISTOR		1	
	Q304	LTA014YEBFS8	DIGI TRANSISTOR		1	
	Q305	LTC014YEBFS8	DIGI TRANSISTOR		1	
	Q306	LTC014YEBFS8	DIGI TRANSISTOR		1	
	Q307	LSAR523UBFS8	TRANSISTOR		1	
	Q308	LSCR523UBFS8	TRANSISTOR		1	
	Q309	LSCR523UBFS8	TRANSISTOR		1	
	Q310	LTA014YEBFS8	DIGI TRANSISTOR		1	
	Q311	LTC014YEBFS8	DIGI TRANSISTOR		1	
	Q312	LSCR523UBFS8	TRANSISTOR		1	
	Q313	LSCR523UBFS8	TRANSISTOR		1	
	Q400	LSCR523UBFS8	TRANSISTOR		1	
	Q401	LSAR523UBFS8	TRANSISTOR		1	
	Q402	LTC014YEBFS8	DIGI TRANSISTOR		1	
	Q403	LTC014YEBFS8	DIGI TRANSISTOR		1	
	Q404	LTC014YEBFS8	DIGI TRANSISTOR		1	
	Q405	LTC014YEBFS8	DIGI TRANSISTOR		1	
	Q500	2SC5585-E-X	TRANSISTOR		1	E2
	Q501	2SC5585-E-X	TRANSISTOR		1	E2
	Q502	2SA2018/F-X	TRANSISTOR		1	E2
	Q503	2SA2018/F-X	TRANSISTOR		1	E2
	Q504	LTA014YEBFS8	DIGI TRANSISTOR		1	E2
	Q505	LSCR523UBFS8	TRANSISTOR		1	E2
	Q506	LSCR523UBFS8	TRANSISTOR		1	E2
	Q600	LSCR523UBFS8	TRANSISTOR		1	
	Q601	LSCR523UBFS8	TRANSISTOR		1	
	Q602	LSCR523UBFS8	TRANSISTOR		1	
	D100	RB521S-30	SCHOTTKY DIODE		1	
	D200	SJPB-L4	SCHOTTKY DIODE		1	
	D201	DA2J101	DIODE		1	
	D202	DA2J101	DIODE		1	
	D203	RB521S-30	SCHOTTKY DIODE		1	E7
	D204	RB521S-30	SCHOTTKY DIODE		1	E7
	D705	MC2850-1	DIODE ARRAY		1	
	D706	MC2850-1	DIODE ARRAY		1	E7
	C100	CC73HCH1H221J	C CAPACITOR	220pF 50V J	1	
	C101	CC73HCH1H101J	C CAPACITOR	100pF 50V J	1	
	C102	CC73HCH1H101J	C CAPACITOR	100pF 50V J	1	
	C103	CC73HCH1H101J	C CAPACITOR	100pF 50V J	1	
	C104	CC73HCH1H101J	C CAPACITOR	100pF 50V J	1	
	C105	CC73HCH1H221J	C CAPACITOR	220pF 50V J	1	
	C106	CK73HBB1C473K	C CAPACITOR	0.047uF 16V K	1	
	C107	CK73HBB1A104K	C CAPACITOR	0.1uF 10V K	1	
	C108	CK73HBB1A104K	C CAPACITOR	0.1uF 10V K	1	
	C109	CK73HBB1A104K	C CAPACITOR	0.1uF 10V K	1	
	C111	CK73HXR0J105K	C CAPACITOR	1uF 6.3V K	1	
	C112	CK73HXR0J105K	C CAPACITOR	1uF 6.3V K	1	
	C113	CK73GBB0J105K	C CAPACITOR	1uF 6.3V K	1	
	C114	CK73EBB1A106K	C CAPACITOR	10uF 10V K	1	
	C115	CK73GBB0J105K	C CAPACITOR	1uF 6.3V K	1	
	C116	CK73HBB1A104K	C CAPACITOR	0.1uF 10V K	1	
	C117	CK73HBB1A104K	C CAPACITOR	0.1uF 10V K	1	
	C119	CK73HBB1H472K	C CAPACITOR	4700pF 50V K	1	
	C120	CK73HBB1H102K	C CAPACITOR	1000pF 50V K	1	
	C121	CK73HXR1A105K	C CAPACITOR	1uF 10V K	1	
	C123	CC73HCH1H101J	C CAPACITOR	100pF 50V J	1	
	C124	CC73HCH1H101J	C CAPACITOR	100pF 50V J	1	
	C125	CC73HCH1H101J	C CAPACITOR	100pF 50V J	1	
	C126	CC73HCH1H101J	C CAPACITOR	100pF 50V J	1	
	C127	CK73GXR0J475K	C CAPACITOR	4.7uF 6.3V K	1	E7,K1,X1,M1,M2,K0
	C200	CK73HXR0J105K	C CAPACITOR	1uF 6.3V K	1	
	C203	CK73GXR1H104K	C CAPACITOR	0.1uF 50V K	1	
	C204	CK730BG1E106K	C CAPACITOR	10uF 25V K	1	
	C205	CK730CW1E103K	C CAPACITOR	0.01uF 25V K	1	
	C206	CK73GXR1H104K	C CAPACITOR	0.1uF 50V K	1	
	C207	CK730BG1E106K	C CAPACITOR	10uF 25V K	1	
	C208	CK730BG1E106K	C CAPACITOR	10uF 25V K	1	
	C209	CK730CW1A104K	C CAPACITOR	0.1uF 10V K	1	
	C210	CK73HXR0J105K	C CAPACITOR	1uF 6.3V K	1	
	C211	CC73GCH1H391J	C CAPACITOR	390pF 50V J	1	
	C212	CK730AV0J105K	C CAPACITOR	1uF 6.3V K	1	
	C213	CK730BG1E106K	C CAPACITOR	10uF 25V K	1	
	C214	CK730CW1A104K	C CAPACITOR	0.1uF 10V K	1	
	C215	CK73GXR1H104K	C CAPACITOR	0.1uF 50V K	1	
	C216	CK730AV0J105K	C CAPACITOR	1uF 6.3V K	1	
	C217	CK73FXR0J226M	C CAPACITOR	22uF 6.3V M	1	
	C218	CK730CW1E103K	C CAPACITOR	0.01uF 25V K	1	
	C219	CK730BG1E106K	C CAPACITOR	10uF 25V K	1	

MODEL	MARK	MODEL	MARK	MODEL	MARK	MODEL	MARK
DNX7170DABS	E2	DNX8170DABS	E7	DNX874S	K1	DNX9170DABS	X1
DNX9170S	M1	DNX9170SM	M2	DNX994S	K0		

Safe	Symbol No.	Parts No.	Parts Name	Description	QTY	Local
	C220	CK730BG1E106K	C CAPACITOR	10uF 25V K	1	
	C221	CK730AV0J105K	C CAPACITOR	1uF 6.3V K	1	
	C222	CK730BG1E106K	C CAPACITOR	10uF 25V K	1	E7
	C223	CK73GXR1H104K	C CAPACITOR	0.1uF 50V K	1	E7
	C300	CK73GXR1E105K	C CAPACITOR	1uF 25V K	1	
	C301	CK73FXR1C106K	C CAPACITOR	10uF 16V K	1	
	C302	CK730BF1E475K	C CAPACITOR	4.7uF 25V K	1	
	C303	CK73GXR1H104K	C CAPACITOR	0.1uF 50V K	1	
	C304	CK73GXR1H104K	C CAPACITOR	0.1uF 50V K	1	
	C305	CK730BG1E106K	C CAPACITOR	10uF 25V K	1	
	C306	CK73FXR1E225K	C CAPACITOR	2.2uF 25V K	1	
	C307	CK73FXR1C106K	C CAPACITOR	10uF 16V K	1	
	C308	CK73GXR1E105K	C CAPACITOR	1uF 25V K	1	
	C400	CK73EBB1A106K	C CAPACITOR	10uF 10V K	1	E2,E7,X1,M1,M2
	C401	CK73EBB1A106K	C CAPACITOR	10uF 10V K	1	E2,E7,X1,M1,M2
	C402	CK730CW1A104K	C CAPACITOR	0.1uF 10V K	1	
	C403	CK730CW1A104K	C CAPACITOR	0.1uF 10V K	1	
	C404	CK730CW1A104K	C CAPACITOR	0.1uF 10V K	1	
	C405	CK73HBB1A104K	C CAPACITOR	0.1uF 10V K	1	E2,E7,X1,M1,M2
	C407	CK73HBB1A104K	C CAPACITOR	0.1uF 10V K	1	E2,E7,X1,M1,M2
	C408	CK73HBB1C104K	C CAPACITOR	0.1uF 16V K	1	
	C409	CK73HXR0J105K	C CAPACITOR	1uF 6.3V K	1	
	C410	CK730BF1E475K	C CAPACITOR	4.7uF 25V K	1	
	C411	CK73GXR1H104K	C CAPACITOR	0.1uF 50V K	1	
	C412	CK73HBB1E103K	C CAPACITOR	0.01uF 25V K	1	
	C413	CK730BF1E475K	C CAPACITOR	4.7uF 25V K	1	
	C414	CK73HBB1A104K	C CAPACITOR	0.1uF 10V K	1	
	C415	CK73HBB1E103K	C CAPACITOR	0.01uF 25V K	1	
	C416	CK73GXR0J106M	C CAPACITOR	10uF 6.3V M	1	
	C417	CK73HBB1A104K	C CAPACITOR	0.1uF 10V K	1	
	C418	CK73HBB1E103K	C CAPACITOR	0.01uF 25V K	1	
	C419	CK73FXR1C106K	C CAPACITOR	10uF 16V K	1	
	C420	CK73FXR1C106K	C CAPACITOR	10uF 16V K	1	
	C421	CK73GXR1H104K	C CAPACITOR	0.1uF 50V K	1	
	C422	CK73HBB1E103K	C CAPACITOR	0.01uF 25V K	1	
	C423	CK73HBB1A104K	C CAPACITOR	0.1uF 10V K	1	
	C424	CK73HBB1A104K	C CAPACITOR	0.1uF 10V K	1	
	C425	CK73HBB1A104K	C CAPACITOR	0.1uF 10V K	1	
	C426	CK73HBB1A104K	C CAPACITOR	0.1uF 10V K	1	
	C427	CK73HBB1A104K	C CAPACITOR	0.1uF 10V K	1	
	C428	CK73HBB1A104K	C CAPACITOR	0.1uF 10V K	1	
	C429	CK73HBB1A104K	C CAPACITOR	0.1uF 10V K	1	
	C430	CK73HBB1A104K	C CAPACITOR	0.1uF 10V K	1	
	C431	CK73GXR1H104K	C CAPACITOR	0.1uF 50V K	1	
	C432	CK73GXR1H104K	C CAPACITOR	0.1uF 50V K	1	
	C433	CC73HCH1H180J	C CAPACITOR	18pF 50V J	1	E2,E7,X1,M1,M2
	C434	CK73GXR1C474K	C CAPACITOR	0.47uF 16V K	1	E2,E7,X1,M1,M2
	C435	CK73GBB1H103K	C CAPACITOR	0.01uF 50V K	1	E2,E7,X1,M1,M2
	C436	CK73GXR1H104K	C CAPACITOR	0.1uF 50V K	1	E2,E7,X1,M1,M2
	C437	CK73GXR1H104K	C CAPACITOR	0.1uF 50V K	1	E2,E7,X1,M1,M2
	C438	CK73GXR1H104K	C CAPACITOR	0.1uF 50V K	1	E2,E7,X1,M1,M2
	C439	CK73GXR1H104K	C CAPACITOR	0.1uF 50V K	1	E2,E7,X1,M1,M2
	C440	CK73GBB1A105K	C CAPACITOR	1uF 10V K	1	E2,E7,X1,M1,M2
	C508	CK73GXR0J106M	C CAPACITOR	10uF 6.3V M	1	E2
	C509	CK73GBB0J105K	C CAPACITOR	1uF 6.3V K	1	E7,K1,X1,M1,M2,K0
	C510	CK73GBB0J105K	C CAPACITOR	1uF 6.3V K	1	E7,K1,X1,M1,M2,K0
	C511	CK73HBB1C103K	C CAPACITOR	0.01uF 16V K	1	E7,K1,X1,M1,M2,K0
	C512	CK73GBB1H223K	C CAPACITOR	0.022uF 50V K	1	E7,K1,X1,M1,M2,K0
	C513	CK73GBB1H223K	C CAPACITOR	0.022uF 50V K	1	E7,K1,X1,M1,M2,K0
	C514	CK73GBB0J225K	C CAPACITOR	2.2uF 6.3V K	1	E7,K1,X1,M1,M2,K0
	C515	CK73GBB1H223K	C CAPACITOR	0.022uF 50V K	1	E7,K1,X1,M1,M2,K0
	C517	CK73GBB1H223K	C CAPACITOR	0.022uF 50V K	1	E7,K1,X1,M1,M2,K0
	C518	CK73GXR1C105K	C CAPACITOR	1uF 16V K	1	E7,K1,X1,M1,M2,K0
	C520	CK73GBB0J225K	C CAPACITOR	2.2uF 6.3V K	1	E7,K1,X1,M1,M2,K0
	C521	CK73GXR0J475K	C CAPACITOR	4.7uF 6.3V K	1	E7,K1,X1,M1,M2,K0
	C539	CK73GBB0J225K	C CAPACITOR	2.2uF 6.3V K	1	E7,K1,X1,M1,M2,K0
	C540	CK73GBB1H223K	C CAPACITOR	0.022uF 50V K	1	E7,K1,X1,M1,M2,K0
	C600	CK73HBB1A104K	C CAPACITOR	0.1uF 10V K	1	
	C601	CK73HBB1A104K	C CAPACITOR	0.1uF 10V K	1	
	C602	CK73HBB1A104K	C CAPACITOR	0.1uF 10V K	1	
	C603	CK73FXR0J226M	C CAPACITOR	22uF 6.3V M	1	
	C604	CK73HBB1H102K	C CAPACITOR	1000pF 50V K	1	
	C605	CK73GXR1H104K	C CAPACITOR	0.1uF 50V K	1	
	C606	CK73HBB1E103K	C CAPACITOR	0.01uF 25V K	1	
	C607	CK73HBB1H102K	C CAPACITOR	1000pF 50V K	1	
	C608	CK73HBB1H102K	C CAPACITOR	1000pF 50V K	1	
	C609	CK73HBB1H102K	C CAPACITOR	1000pF 50V K	1	
	C611	CK73EBB1A106K	C CAPACITOR	10uF 10V K	1	
	C701	CK73HBB1H103K	C CAPACITOR	0.01uF 50V K	1	
	C702	CK73FXR1C106K	C CAPACITOR	10uF 16V K	1	
	R1	RK73HB1J000J	MG RESISTOR	0Ω 1/16W J	1	K1,K0
	R2	RK73HB1J000J	MG RESISTOR	0Ω 1/16W J	1	K1,K0
	R3	RK73HB1J000J	MG RESISTOR	0Ω 1/16W J	1	K1,K0
	R4	RK73HB1J000J	MG RESISTOR	0Ω 1/16W J	1	K1,K0
	R5	RK73HB1J101J	MG RESISTOR	100Ω 1/16W J	1	
	R6	RK73HB1J000J	MG RESISTOR	0Ω 1/16W J	1	K1,K0
	R7	RK73HB1J000J	MG RESISTOR	0Ω 1/16W J	1	K1,K0
	R8	RK73HB1J000J	MG RESISTOR	0Ω 1/16W J	1	K1,K0
	R9	RK73HB1J000J	MG RESISTOR	0Ω 1/16W J	1	K1,K0
	R10	RK73HB1J000J	MG RESISTOR	0Ω 1/16W J	1	K1,K0



MODEL	MARK	MODEL	MARK	MODEL	MARK	MODEL	MARK
DNX7170DABS	E2	DNX8170DABS	E7	DNX874S	K1	DNX9170DABS	X1
DNX9170S	M1	DNX9170SM	M2	DNX994S	K0		

Safe	Symbol No.	Parts No.	Parts Name	Description	QTY	Local
	R125	RK73HB1J101J	MG RESISTOR	100Ω 1/16W J	1	
	R126	RK73HB1J103J	MG RESISTOR	10kΩ 1/16W J	1	
	R127	RK73HB1J102J	MG RESISTOR	1kΩ 1/16W J	1	
	R128	RK73HB1J101J	MG RESISTOR	100Ω 1/16W J	1	
	R129	RK73HB1J101J	MG RESISTOR	100Ω 1/16W J	1	
	R130	RK73HB1J101J	MG RESISTOR	100Ω 1/16W J	1	
	R131	RK73HB1J101J	MG RESISTOR	100Ω 1/16W J	1	
	R132	RK73HB1J101J	MG RESISTOR	100Ω 1/16W J	1	
	R133	RK73HB1J101J	MG RESISTOR	100Ω 1/16W J	1	
	R134	RK73HB1J101J	MG RESISTOR	100Ω 1/16W J	1	
	R135	RK73HB1J101J	MG RESISTOR	100Ω 1/16W J	1	
	R136	RK73HB1J103J	MG RESISTOR	10kΩ 1/16W J	1	
	R137	RK73HB1J103J	MG RESISTOR	10kΩ 1/16W J	1	
	R138	RK73HB1J101J	MG RESISTOR	100Ω 1/16W J	1	
	R139	RK73HB1J101J	MG RESISTOR	100Ω 1/16W J	1	
	R140	RK73HB1J101J	MG RESISTOR	100Ω 1/16W J	1	
	R141	RK73HB1J473J	MG RESISTOR	47kΩ 1/16W J	1	
	R142	RK73HB1J473J	MG RESISTOR	47kΩ 1/16W J	1	
	R143	RK73HB1J472J	MG RESISTOR	4.7kΩ 1/16W J	1	
	R144	RK73HB1J472J	MG RESISTOR	4.7kΩ 1/16W J	1	
	R145	RK73HB1J103J	MG RESISTOR	10kΩ 1/16W J	1	
	R146	RK73HB1J102J	MG RESISTOR	1kΩ 1/16W J	1	
	R147	RK73HB1J101J	MG RESISTOR	100Ω 1/16W J	1	
	R148	RK73HB1J101J	MG RESISTOR	100Ω 1/16W J	1	
	R149	RK73HB1J101J	MG RESISTOR	100Ω 1/16W J	1	
	R150	RK73HB1J101J	MG RESISTOR	100Ω 1/16W J	1	
	R151	RK73HB1J331J	MG RESISTOR	330Ω 1/16W J	1	
	R153	RK73HB1J101J	MG RESISTOR	100Ω 1/16W J	1	
	R164	RK73HB1J000J	MG RESISTOR	0Ω 1/16W J	1	
	R165	RK73HB1J000J	MG RESISTOR	0Ω 1/16W J	1	
	R167	RK73HB1J000J	MG RESISTOR	0Ω 1/16W J	1	
	R200	RK73HB1J000J	MG RESISTOR	0Ω 1/16W J	1	
	R201	RK73HB1J102J	MG RESISTOR	1kΩ 1/16W J	1	
	R203	RK73GB2A511J	MG RESISTOR	510Ω 1/10W J	1	
	R204	RK73GB2A511J	MG RESISTOR	510Ω 1/10W J	1	
	R207	RK73HH1J104D	MG RESISTOR	100kΩ 1/16W D	1	
	R208	RK73HH1J563D	MG RESISTOR	56kΩ 1/16W D	1	
	R209	RK73HB1J000J	MG RESISTOR	0Ω 1/16W J	1	
	R210	RK73HH1J152D	MG RESISTOR	1.5kΩ 1/16W D	1	
	R211	RK73HH1J154D	MG RESISTOR	150kΩ 1/16W D	1	
	R212	RK73HH1J103D	MG RESISTOR	10kΩ 1/16W D	1	
	R213	RK73HH1J751D	MG RESISTOR	750Ω 1/16W D	1	
	R214	RK73HB1J101J	MG RESISTOR	100Ω 1/16W J	1	
	R215	RK73HH1J563D	MG RESISTOR	56kΩ 1/16W D	1	
	R216	RK73HB1J473J	MG RESISTOR	4.7kΩ 1/16W J	1	
	R217	RK73HB1J000J	MG RESISTOR	0Ω 1/16W J	1	
	R218	NRZ0126-R033X	MG RESISTOR	0.033Ω 1/3W J	1	
	R219	RK73HB1J103J	MG RESISTOR	10kΩ 1/16W J	1	
	R220	RK73GH2A361D	MG RESISTOR	360Ω 1/10W D	1	
	R221	RK73GH2A361D	MG RESISTOR	360Ω 1/10W D	1	
	R222	RK73GH2A361D	MG RESISTOR	360Ω 1/10W D	1	
	R223	RK73HB1J000J	MG RESISTOR	0Ω 1/16W J	1	
	R224	RK73HB1J102J	MG RESISTOR	1kΩ 1/16W J	1	
	R225	RK73HB1J101J	MG RESISTOR	100Ω 1/16W J	1	
	R227	RK73GB2A511J	MG RESISTOR	510Ω 1/10W J	1	
	R228	RK73GB2A511J	MG RESISTOR	510Ω 1/10W J	1	
	R229	RK73GH2A361D	MG RESISTOR	360Ω 1/10W D	1	
	R230	RK73GH2A361D	MG RESISTOR	360Ω 1/10W D	1	
	R231	RK73HB1J473J	MG RESISTOR	47kΩ 1/16W J	1	
	R232	RK73HB1J473J	MG RESISTOR	47kΩ 1/16W J	1	
	R233	RK73GH2A391D	MG RESISTOR	390Ω 1/10W D	1	
	R234	RK73GH2A361D	MG RESISTOR	360Ω 1/10W D	1	
	R235	RK73HB1J101J	MG RESISTOR	100Ω 1/16W J	1	
	R236	RK73GB2A511J	MG RESISTOR	510Ω 1/10W J	1	
	R237	RK73GH2A361D	MG RESISTOR	360Ω 1/10W D	1	
	R238	RK73HB1J101J	MG RESISTOR	100Ω 1/16W J	1	
	R239	RK73HB1J101J	MG RESISTOR	100Ω 1/16W J	1	
	R240	RK73HB1J101J	MG RESISTOR	100Ω 1/16W J	1	
	R241	RK73GH2A391D	MG RESISTOR	390Ω 1/10W D	1	
	R242	RK73GH2A391D	MG RESISTOR	390Ω 1/10W D	1	
	R243	RK73HB1J101J	MG RESISTOR	100Ω 1/16W J	1	
	R244	RK73GH2A391D	MG RESISTOR	390Ω 1/10W D	1	
	R245	RK73GB2A511J	MG RESISTOR	510Ω 1/10W J	1	
	R246	NRZ0134-560X	MG RESISTOR	56Ω	1	
	R247	RK73HB1J102J	MG RESISTOR	1kΩ 1/16W J	1	
	R248	RK73GH2A391D	MG RESISTOR	390Ω 1/10W D	1	
	R249	RK73HB1J473J	MG RESISTOR	47kΩ 1/16W J	1	
	R250	RK73HB1J101J	MG RESISTOR	100Ω 1/16W J	1	
	R251	RK73GH2A391D	MG RESISTOR	390Ω 1/10W D	1	
	R252	RK73GH2A391D	MG RESISTOR	390Ω 1/10W D	1	
	R253	RK73GH2A361D	MG RESISTOR	360Ω 1/10W D	1	
	R254	RK73HB1J101J	MG RESISTOR	100Ω 1/16W J	1	
	R255	RK73GH2A391D	MG RESISTOR	390Ω 1/10W D	1	
	R256	RK73HB1J473J	MG RESISTOR	47kΩ 1/16W J	1	
	R257	RK73HB1J103J	MG RESISTOR	10kΩ 1/16W J	1	
	R259	RK73GB2A000J	MG RESISTOR	0Ω 1/10W J	1	E2,K1,X1,M1,M2,K0
	R260	RK73HB1J473J	MG RESISTOR	47kΩ 1/16W J	1	E7
	R261	RK73HB1J302J	MG RESISTOR	3kΩ 1/16W J	1	E7
	R262	RK73GB2A000J	MG RESISTOR	0Ω 1/10W J	1	E7
	R263	RK73HB1J473J	MG RESISTOR	47kΩ 1/16W J	1	E7

MODEL	MARK	MODEL	MARK	MODEL	MARK	MODEL	MARK
DNX7170DABS	E2	DNX8170DABS	E7	DNX874S	K1	DNX9170DABS	X1
DNX9170S	M1	DNX9170SM	M2	DNX994S	K0		

Safe	Symbol No.	Parts No.	Parts Name	Description	QTY	Local
	R264	RK73HB1J101J	MG RESISTOR	100Ω 1/16W J	1	E7
	R265	RK73HB1J153J	MG RESISTOR	15kΩ 1/16W J	1	E7
	R266	RK73HB1J620J	MG RESISTOR	62Ω 1/16W J	1	E7
	R267	RK73HB1J302J	MG RESISTOR	3kΩ 1/16W J	1	E7
	R268	RK73HB1J471J	MG RESISTOR	470Ω 1/16W J	1	E7
	R269	RK73HB1J274J	MG RESISTOR	270kΩ 1/16W J	1	E7
	R270	RK73FB2B392J	MG RESISTOR	3.9kΩ 1/8W J	1	E7
	R300	RK73HB1J104J	MG RESISTOR	100kΩ 1/16W J	1	
	R301	RK73HB1J392J	MG RESISTOR	3.9kΩ 1/16W J	1	
	R302	RK73HB1J681J	MG RESISTOR	680Ω 1/16W J	1	
	R303	RK73HB1J393J	MG RESISTOR	39kΩ 1/16W J	1	
	R304	RK73HB1J104J	MG RESISTOR	100kΩ 1/16W J	1	
	R305	RK73HH1J222D	MG RESISTOR	2.2kΩ 1/16W D	1	
	R306	RK73HH1J393D	MG RESISTOR	39kΩ 1/16W D	1	
	R307	RK73HH1J103D	MG RESISTOR	10kΩ 1/16W D	1	
	R308	RK73HH1J103D	MG RESISTOR	10kΩ 1/16W D	1	
	R309	RK73HB1J472J	MG RESISTOR	4.7kΩ 1/16W J	1	
	R310	RK73HB1J104J	MG RESISTOR	100kΩ 1/16W J	1	
	R311	RK73HB1J000J	MG RESISTOR	0Ω 1/16W J	1	
	R312	RK73HH1J102D	MG RESISTOR	1kΩ 1/16W D	1	
	R313	RK73HB1J104J	MG RESISTOR	100kΩ 1/16W J	1	
	R314	RK73HB1J821J	MG RESISTOR	820Ω 1/16W J	1	
	R315	RK73HB1J103J	MG RESISTOR	10kΩ 1/16W J	1	
	R316	RK73HB1J103J	MG RESISTOR	10kΩ 1/16W J	1	
	R317	RK73HB1J751J	MG RESISTOR	750Ω 1/16W J	1	
	R318	RK73HB1J103J	MG RESISTOR	10kΩ 1/16W J	1	
	R319	RK73HB1J473J	MG RESISTOR	47kΩ 1/16W J	1	
	R320	RK73HB1J104J	MG RESISTOR	100kΩ 1/16W J	1	
	R321	RK73HB1J000J	MG RESISTOR	0Ω 1/16W J	1	
	R400	RK73HB1J102J	MG RESISTOR	1kΩ 1/16W J	1	E2,E7,X1,M1,M2
	R401	RK73HB1J472J	MG RESISTOR	4.7kΩ 1/16W J	1	
	R402	RK73HB1J472J	MG RESISTOR	4.7kΩ 1/16W J	1	
	R403	RK73HB1J102J	MG RESISTOR	1kΩ 1/16W J	1	
	R404	RK73HH1J563D	MG RESISTOR	56kΩ 1/16W D	1	
	R405	RK73HH1J124D	MG RESISTOR	120kΩ 1/16W D	1	
	R406	RK73HH1J184D	MG RESISTOR	180kΩ 1/16W D	1	
	R407	RK73HH1J153D	MG RESISTOR	15kΩ 1/16W D	1	
	R408	RK73HH1J103D	MG RESISTOR	10kΩ 1/16W D	1	
	R409	RK73HH1J273D	MG RESISTOR	27kΩ 1/16W D	1	
	R411	RK73HB1J101J	MG RESISTOR	100Ω 1/16W J	1	
	R412	RK73EB2E392J	MG RESISTOR	3.9kΩ 1/4W J	1	
	R413	RK73HB1J000J	MG RESISTOR	0Ω 1/16W J	1	
	R414	RK73HB1J000J	MG RESISTOR	0Ω 1/16W J	1	
	R415	RK73HH1J620D	MG RESISTOR	62Ω 1/16W D	1	
	R416	RK73HH1J161D	MG RESISTOR	160Ω 1/16W D	1	
	R417	RK73HH1J430D	MG RESISTOR	43Ω 1/16W D	1	
	R418	RK73HH1J390D	MG RESISTOR	39Ω 1/16W D	1	
	R419	RK73HH1J101D	MG RESISTOR	100Ω 1/16W D	1	
	R420	RK73HH1J161D	MG RESISTOR	160Ω 1/16W D	1	
	R421	RK73HH1J101D	MG RESISTOR	100Ω 1/16W D	1	
	R422	RK73HH1J390D	MG RESISTOR	39Ω 1/16W D	1	
	R423	RK73HH1J430D	MG RESISTOR	43Ω 1/16W D	1	
	R424	RK73HH1J161D	MG RESISTOR	160Ω 1/16W D	1	
	R425	RK73HH1J820D	MG RESISTOR	82Ω 1/16W D	1	
	R426	RK73EB2E102J	MG RESISTOR	1kΩ 1/4W J	1	
	R427	RK73HB1J472J	MG RESISTOR	4.7kΩ 1/16W J	1	
	R428	RK73HH1J222D	MG RESISTOR	1.2kΩ 1/16W D	1	
	R429	RK73HB1J101J	MG RESISTOR	100Ω 1/16W J	1	E2,E7,X1,M1,M2
	R430	RK73HB1J101J	MG RESISTOR	100Ω 1/16W J	1	E2,E7,X1,M1,M2
	R431	RK73HB1J101J	MG RESISTOR	100Ω 1/16W J	1	E2,E7,X1,M1,M2
	R432	RK73HB1J101J	MG RESISTOR	100Ω 1/16W J	1	E2,E7,X1,M1,M2
	R433	RK73HB1J000J	MG RESISTOR	0Ω 1/16W J	1	E2,E7,X1,M1,M2
	R436	RK73HB1J000J	MG RESISTOR	0Ω 1/16W J	1	E2,E7,X1,M1,M2
	R440	RK73HB1J000J	MG RESISTOR	0Ω 1/16W J	1	E2,E7,X1,M1,M2
	R441	RK73HB1J000J	MG RESISTOR	0Ω 1/16W J	1	E2,E7,X1,M1,M2
	R443	RK73HB1J100J	MG RESISTOR	10Ω 1/16W J	1	E2,E7,X1,M1,M2
	R444	RK73HB1J000J	MG RESISTOR	0Ω 1/16W J	1	E2,E7,X1,M1,M2
	R448	RK73HB1J101J	MG RESISTOR	100Ω 1/16W J	1	E2,E7,X1,M1,M2
	R449	RK73HB1J101J	MG RESISTOR	100Ω 1/16W J	1	E2,E7,X1,M1,M2
	R450	RK73HB1J101J	MG RESISTOR	100Ω 1/16W J	1	E2,E7,X1,M1,M2
	R451	RK73HB1J101J	MG RESISTOR	100Ω 1/16W J	1	E2,E7,X1,M1,M2
	R452	RK73HB1J101J	MG RESISTOR	100Ω 1/16W J	1	E2,E7,X1,M1,M2
	R453	RK73HB1J101J	MG RESISTOR	100Ω 1/16W J	1	E2,E7,X1,M1,M2
	R454	RK73HB1J101J	MG RESISTOR	100Ω 1/16W J	1	E2,E7,X1,M1,M2
	R455	RK73HB1J101J	MG RESISTOR	100Ω 1/16W J	1	E2,E7,X1,M1,M2
	R456	RK73HB1J101J	MG RESISTOR	100Ω 1/16W J	1	E2,E7,X1,M1,M2
	R457	RK73HB1J101J	MG RESISTOR	100Ω 1/16W J	1	E2,E7,X1,M1,M2
	R458	RK73HB1J101J	MG RESISTOR	100Ω 1/16W J	1	E2,E7,X1,M1,M2
	R459	RK73HB1J101J	MG RESISTOR	100Ω 1/16W J	1	E2,E7,X1,M1,M2
	R460	RK73HB1J101J	MG RESISTOR	100Ω 1/16W J	1	E2,E7,X1,M1,M2
	R461	RK73HB1J101J	MG RESISTOR	100Ω 1/16W J	1	E2,E7,X1,M1,M2
	R462	RK73HB1J101J	MG RESISTOR	100Ω 1/16W J	1	E2,E7,X1,M1,M2
	R463	RK73HB1J101J	MG RESISTOR	100Ω 1/16W J	1	E2,E7,X1,M1,M2
	R464	RK73HB1J101J	MG RESISTOR	100Ω 1/16W J	1	E2,E7,X1,M1,M2
	R465	RK73HB1J101J	MG RESISTOR	100Ω 1/16W J	1	E2,E7,X1,M1,M2
	R466	RK73HB1J101J	MG RESISTOR	100Ω 1/16W J	1	E2,E7,X1,M1,M2
	R467	RK73HB1J101J	MG RESISTOR	100Ω 1/16W J	1	E2,E7,X1,M1,M2
	R469	RK73HB1J473J	MG RESISTOR	47kΩ 1/16W J	1	
	R470	RK73HB1J473J	MG RESISTOR	47kΩ 1/16W J	1	
	R471	RK73HB1J101J	MG RESISTOR	100Ω 1/16W J	1	

MODEL	MARK	MODEL	MARK	MODEL	MARK	MODEL	MARK
DNX7170DABS	E2	DNX8170DABS	E7	DNX874S	K1	DNX9170DABS	X1
DNX9170S	M1	DNX9170SM	M2	DNX994S	K0		

Safe	Symbol No.	Parts No.	Parts Name	Description	QTY	Local
	R472	RK73HB1J101J	MG RESISTOR	100Ω 1/16W J	1	
	R475	RK73HB1J101J	MG RESISTOR	100Ω 1/16W J	1	
	R476	RK73HB1J101J	MG RESISTOR	100Ω 1/16W J	1	
	R477	RK73HB1J473J	MG RESISTOR	47kΩ 1/16W J	1	
	R517	RK73GH2A220D	MG RESISTOR	22Ω 1/10W D	1	E2
	R518	RK73GH2A100D	MG RESISTOR	10Ω 1/10W D	1	E2
	R519	RK73GH2A220D	MG RESISTOR	22Ω 1/10W D	1	E2
	R520	RK73GH2A100D	MG RESISTOR	10Ω 1/10W D	1	E2
	R521	RK73HB1J222J	MG RESISTOR	2.2kΩ 1/16W J	1	E2
	R522	RK73HB1J222J	MG RESISTOR	2.2kΩ 1/16W J	1	E2
	R523	RK73HB1J473J	MG RESISTOR	47kΩ 1/16W J	1	E2
	R524	RK73HB1J473J	MG RESISTOR	47kΩ 1/16W J	1	E2
	R525	RK73HB1J222J	MG RESISTOR	2.2kΩ 1/16W J	1	E2
	R526	RK73HB1J222J	MG RESISTOR	2.2kΩ 1/16W J	1	E2
	R527	RK73HB1J473J	MG RESISTOR	47kΩ 1/16W J	1	E2
	R528	RK73HB1J473J	MG RESISTOR	47kΩ 1/16W J	1	E2
	R529	RK73HB1J103J	MG RESISTOR	10kΩ 1/16W J	1	E2
	R530	RK73HB1J102J	MG RESISTOR	1kΩ 1/16W J	1	E2
	R531	RK73HH1J621D	MG RESISTOR	620Ω 1/16W D	1	E2
	R532	RK73GB2A101J	MG RESISTOR	100Ω 1/10W J	1	E2
	R533	RK73GB2A101J	MG RESISTOR	100Ω 1/10W J	1	E2
	R534	RK73GB2A101J	MG RESISTOR	100Ω 1/10W J	1	E2
	R535	RK73GB2A101J	MG RESISTOR	100Ω 1/10W J	1	E2
	R536	RK73GB2A224J	MG RESISTOR	220kΩ 1/10W J	1	E2
	R538	RK73HB1J102J	MG RESISTOR	1kΩ 1/16W J	1	E7,K1,X1,M1,M2,K0
	R539	RK73HB1J102J	MG RESISTOR	1kΩ 1/16W J	1	E7,K1,X1,M1,M2,K0
	R540	RK73HB1J102J	MG RESISTOR	1kΩ 1/16W J	1	E7,K1,X1,M1,M2,K0
	R541	RK73HB1J102J	MG RESISTOR	1kΩ 1/16W J	1	E7,K1,X1,M1,M2,K0
	R542	RK73HB1J102J	MG RESISTOR	1kΩ 1/16W J	1	E7,K1,X1,M1,M2,K0
	R543	RK73HB1J102J	MG RESISTOR	1kΩ 1/16W J	1	E7,K1,X1,M1,M2,K0
	R544	RK73HB1J102J	MG RESISTOR	1kΩ 1/16W J	1	E7,K1,X1,M1,M2,K0
	R545	RK73HB1J102J	MG RESISTOR	1kΩ 1/16W J	1	E7,K1,X1,M1,M2,K0
	R546	RK73HB1J102J	MG RESISTOR	1kΩ 1/16W J	1	E7,K1,X1,M1,M2,K0
	R547	RK73HB1J102J	MG RESISTOR	1kΩ 1/16W J	1	E7,K1,X1,M1,M2,K0
	R548	RK73HB1J102J	MG RESISTOR	1kΩ 1/16W J	1	E7,K1,X1,M1,M2,K0
	R549	RK73HB1J102J	MG RESISTOR	1kΩ 1/16W J	1	E7,K1,X1,M1,M2,K0
	R550	RK73HB1J102J	MG RESISTOR	1kΩ 1/16W J	1	E7,K1,X1,M1,M2,K0
	R551	RK73HB1J102J	MG RESISTOR	1kΩ 1/16W J	1	E7,K1,X1,M1,M2,K0
	R552	RK73HB1J102J	MG RESISTOR	1kΩ 1/16W J	1	E7,K1,X1,M1,M2,K0
	R553	RK73HB1J102J	MG RESISTOR	1kΩ 1/16W J	1	E7,K1,X1,M1,M2,K0
	R554	RK73HB1J102J	MG RESISTOR	1kΩ 1/16W J	1	E7,K1,X1,M1,M2,K0
	R555	RK73HB1J102J	MG RESISTOR	1kΩ 1/16W J	1	E7,K1,X1,M1,M2,K0
	R556	RK73HB1J102J	MG RESISTOR	1kΩ 1/16W J	1	E7,K1,X1,M1,M2,K0
	R557	RK73HB1J102J	MG RESISTOR	1kΩ 1/16W J	1	E7,K1,X1,M1,M2,K0
	R558	RK73HB1J102J	MG RESISTOR	1kΩ 1/16W J	1	E7,K1,X1,M1,M2,K0
	R559	RK73HB1J102J	MG RESISTOR	1kΩ 1/16W J	1	E7,K1,X1,M1,M2,K0
	R560	RK73HB1J102J	MG RESISTOR	1kΩ 1/16W J	1	E7,K1,X1,M1,M2,K0
	R561	RK73HB1J102J	MG RESISTOR	1kΩ 1/16W J	1	E7,K1,X1,M1,M2,K0
	R562	RK73HB1J102J	MG RESISTOR	1kΩ 1/16W J	1	E7,K1,X1,M1,M2,K0
	R563	RK73HB1J103J	MG RESISTOR	10kΩ 1/16W J	1	E7,K1,X1,M1,M2,K0
	R564	RK73HB1J473J	MG RESISTOR	47kΩ 1/16W J	1	E7,K1,X1,M1,M2,K0
	R565	RK73HB1J332J	MG RESISTOR	3.3kΩ 1/16W J	1	E7,K1,X1,M1,M2,K0
	R566	RK73HB1J332J	MG RESISTOR	3.3kΩ 1/16W J	1	E7,K1,X1,M1,M2,K0
	R567	RK73HB1J103J	MG RESISTOR	10kΩ 1/16W J	1	E7,K1,X1,M1,M2,K0
	R568	RK73HB1J103J	MG RESISTOR	10kΩ 1/16W J	1	E7,K1,X1,M1,M2,K0
	R569	RK73HB1J103J	MG RESISTOR	10kΩ 1/16W J	1	E7,K1,X1,M1,M2,K0
	R571	RK73HB1J103J	MG RESISTOR	10kΩ 1/16W J	1	E7,K1,X1,M1,M2,K0
	R572	RK73HB1J102J	MG RESISTOR	1kΩ 1/16W J	1	E7,K1,X1,M1,M2,K0
	R573	RK73HB1J102J	MG RESISTOR	1kΩ 1/16W J	1	E7,K1,X1,M1,M2,K0
	R574	RK73HB1J102J	MG RESISTOR	1kΩ 1/16W J	1	E7,K1,X1,M1,M2,K0
	R575	RK73HB1J102J	MG RESISTOR	1kΩ 1/16W J	1	E7,K1,X1,M1,M2,K0
	R576	RK73HB1J102J	MG RESISTOR	1kΩ 1/16W J	1	E7,K1,X1,M1,M2,K0
	R577	RK73HB1J102J	MG RESISTOR	1kΩ 1/16W J	1	E7,K1,X1,M1,M2,K0
	R578	RK73HB1J102J	MG RESISTOR	1kΩ 1/16W J	1	E7,K1,X1,M1,M2,K0
	R579	RK73HB1J102J	MG RESISTOR	1kΩ 1/16W J	1	E7,K1,X1,M1,M2,K0
	R580	RK73HB1J000J	MG RESISTOR	0Ω 1/16W J	1	E7,K1,X1,M1,M2,K0
	R581	RK73HB1J000J	MG RESISTOR	0Ω 1/16W J	1	E7,K1,X1,M1,M2,K0
	R582	RK73HB1J000J	MG RESISTOR	0Ω 1/16W J	1	E7,K1,X1,M1,M2,K0
	R583	RK73HB1J000J	MG RESISTOR	0Ω 1/16W J	1	E7,K1,X1,M1,M2,K0
	R584	RK73GB2A000J	MG RESISTOR	0Ω 1/10W J	1	E7,K1,X1,M1,M2,K0
	R585	RK73GB2A000J	MG RESISTOR	0Ω 1/10W J	1	E7,K1,X1,M1,M2,K0
	R586	RK73GB2A000J	MG RESISTOR	0Ω 1/10W J	1	E7,K1,X1,M1,M2,K0
	R587	RK73GB2A000J	MG RESISTOR	0Ω 1/10W J	1	E7,K1,X1,M1,M2,K0
	R588	RK73GB2A000J	MG RESISTOR	0Ω 1/10W J	1	E7,K1,X1,M1,M2,K0
	R589	RK73GB2A000J	MG RESISTOR	0Ω 1/10W J	1	E7,K1,X1,M1,M2,K0
	R590	RK73GB2A000J	MG RESISTOR	0Ω 1/10W J	1	E7,K1,X1,M1,M2,K0
	R591	RK73GB2A000J	MG RESISTOR	0Ω 1/10W J	1	E7,K1,X1,M1,M2,K0
	R592	RK73GB2A000J	MG RESISTOR	0Ω 1/10W J	1	E7,K1,X1,M1,M2,K0
	R593	RK73GB2A000J	MG RESISTOR	0Ω 1/10W J	1	E7,K1,X1,M1,M2,K0
	R594	RK73GB2A000J	MG RESISTOR	0Ω 1/10W J	1	E7,K1,X1,M1,M2,K0
	R595	RK73GB2A000J	MG RESISTOR	0Ω 1/10W J	1	E7,K1,X1,M1,M2,K0
	R596	RK73GB2A000J	MG RESISTOR	0Ω 1/10W J	1	E7,K1,X1,M1,M2,K0
	R597	RK73GB2A000J	MG RESISTOR	0Ω 1/10W J	1	E7,K1,X1,M1,M2,K0
	R598	RK73GB2A000J	MG RESISTOR	0Ω 1/10W J	1	E7,K1,X1,M1,M2,K0
	R600	RK73GB2A100J	MG RESISTOR	10Ω 1/10W J	1	E7,K1,X1,M1,M2,K0
	R601	RK73GB2A100J	MG RESISTOR	10Ω 1/10W J	1	E7,K1,X1,M1,M2,K0
	R603	RK73HB1J473J	MG RESISTOR	47kΩ 1/16W J	1	
	R604	RK73HB1J473J	MG RESISTOR	47kΩ 1/16W J	1	
	R605	RK73HB1J473J	MG RESISTOR	47kΩ 1/16W J	1	
	R606	RK73GB2A100J	MG RESISTOR	10Ω 1/10W J	1	
	R607	RK73GB2A100J	MG RESISTOR	10Ω 1/10W J	1	
	R608	RK73GB2A101J	MG RESISTOR	100Ω 1/10W J	1	

MODEL	MARK	MODEL	MARK	MODEL	MARK	MODEL	MARK
DNX7170DABS	E2	DNX8170DABS	E7	DNX874S	K1	DNX9170DABS	X1
DNX9170S	M1	DNX9170SM	M2	DNX994S	K0		

Safe	Symbol No.	Parts No.	Parts Name	Description	QTY	Local
	R609	RK73GB2A100J	MG RESISTOR	10Ω 1/10W J	1	
	R610	RK73GB2A100J	MG RESISTOR	10Ω 1/10W J	1	
	R611	RK73GB2A100J	MG RESISTOR	10Ω 1/10W J	1	
	R612	RK73GB2A100J	MG RESISTOR	10Ω 1/10W J	1	
	R613	RK73GB2A221J	MG RESISTOR	220Ω 1/10W J	1	
	R614	RK73HH1J301D	MG RESISTOR	300Ω 1/16W D	1	
	R615	RK73HH1J301D	MG RESISTOR	300Ω 1/16W D	1	
	R616	RK73HH1J301D	MG RESISTOR	300Ω 1/16W D	1	
	R617	RK73HB1J101J	MG RESISTOR	100Ω 1/16W J	1	
	R618	RK73HB1J101J	MG RESISTOR	100Ω 1/16W J	1	
	R619	RK73HB1J101J	MG RESISTOR	100Ω 1/16W J	1	
	R620	RK73GB2A100J	MG RESISTOR	10Ω 1/10W J	1	
	R622	RK73GB2A100J	MG RESISTOR	10Ω 1/10W J	1	
	R623	RK73HB1J000J	MG RESISTOR	0Ω 1/16W J	1	
	R625	RK73GB2A000J	MG RESISTOR	0Ω 1/10W J	1	
	R626	RK73HB1J000J	MG RESISTOR	0Ω 1/16W J	1	E7,K1,X1,M1,M2,K0
	R628	RK73HB1J104J	MG RESISTOR	100kΩ 1/16W J	1	E2
	R629	RK73HB1J104J	MG RESISTOR	100kΩ 1/16W J	1	E2
	R630	RK73HB1J101J	MG RESISTOR	100Ω 1/16W J	1	E7,K1,X1,M1,M2,K0
	R631	RK73HB1J101J	MG RESISTOR	100Ω 1/16W J	1	E7,K1,X1,M1,M2,K0
	R632	RK73HB1J101J	MG RESISTOR	100Ω 1/16W J	1	E7,K1,X1,M1,M2,K0
	R633	RK73HB1J101J	MG RESISTOR	100Ω 1/16W J	1	E7,K1,X1,M1,M2,K0
	R722	RK73GB2A000J	MG RESISTOR	0Ω 1/10W J	1	
	L100	LB73G0BF-002	CHIP FERRITE		1	
	L102	LB73G0BF-003	CHIP FERRITE		1	E7,K1,X1,M1,M2,K0
	L200	LR7920FB220M	CHIP INDUCTOR		1	
	L201	NQR0716-001X	FERRITE CORE		1	
	L400	LB73G0BF-002	CHIP FERRITE		1	E2,E7,X1,M1,M2
	L401	NQR0560-001X	EMI FILTER		1	E2,E7,X1,M1,M2
	L404	NQR0717-001X	FERRITE CORE		1	
	L501	LR73Z0AC100K	CHIP INDUCTOR	10uH	1	E2
	L502	LB73G0BF-003	CHIP FERRITE		1	E7,K1,X1,M1,M2,K0
	L600	LB73G0BF-003	CHIP FERRITE		1	
	L602	LB73G0BF-002	CHIP FERRITE		1	
	CN1	EC720AB-0570A	FFC FPC CONNE		1	
	CN100	QGF0545F2-10X	FFC/FPC CONNE	FFC/FPC (1-10)	1	
	CN200	QGA1002F1-02X	W TO B CONNE	W-B (1-2)	1	
	CN400	EC720AA-0560A	FFC FPC CONNE		1	
	CN500	EC720AX-1004A	FFC FPC CONNE		1	E2
	CN501	QGF0528F4-50X	FFC/FPC CONNE	FFC/FPC (1-50)	1	E7,K1,X1,M1,M2,K0
	CN502	QGF0545F2-08X	FFC/FPC CONNE	FFC/FPC (1-8)	1	E7,K1,X1,M1,M2,K0
	CN600	QGF0534F7-22X	FFC/FPC CONNE	FFC/FPC (1-22)	1	
	S100	NSW0355-001X	DETECT SWITCH		1	E7
	VA500	EZJP0270EA	VARIATOR		1	E2
	VA501	EZJP0270EA	VARIATOR		1	E2
	VA502	EZJP0270EA	VARIATOR		1	E2
	VA503	EZJP0270EA	VARIATOR		1	E2
	VA600	EZJP0270EA	VARIATOR		1	
	VA601	EZJP0270EA	VARIATOR		1	
	VA602	NAF0043-8R0X	VARIATOR(ZNR)		1	
	VA603	NAF0043-8R0X	VARIATOR(ZNR)		1	
	VA604	NAF0043-8R0X	VARIATOR(ZNR)		1	
<b>OPERATION PWB ASSY(XJ7-042K-00) &lt;XJ7&gt;</b>						
	IC1	PICA38603-NV	IR DETECT UNIT		1	
	D1	NSSM124T-W	LED		1	
	D2	NSSM124T-W	LED		1	
	D3	NSSM124T-W	LED		1	
	D4	NSSM124T-W	LED		1	
	C1	CK73GXR1A105K	C CAPACITOR	1uF 10V K	1	
	C2	CK73HXR1C104K	C CAPACITOR	0.1uF 16V K	1	
	R1	RK73GB2A333J	MG RESISTOR	33kΩ 1/10W J	1	
	R2	RK73GB2A103J	MG RESISTOR	10kΩ 1/10W J	1	
	R3	RK73GB2A472J	MG RESISTOR	4.7kΩ 1/10W J	1	
	R4	RK73GB2A332J	MG RESISTOR	3.3kΩ 1/10W J	1	
	R5	RK73HB1J000J	MG RESISTOR	0Ω 1/16W J	1	
	CN1	QGF0545F2-13X	FFC/FPC CONNE	FFC/FPC (1-13)	1	
	S1	S7A-0001-00	TACTILE PUSH SW		1	
	S2	S7A-0001-00	TACTILE PUSH SW		1	
	S3	S7A-0001-00	TACTILE PUSH SW		1	
	S4	S7A-0001-00	TACTILE PUSH SW		1	
	S5	S7A-0001-00	TACTILE PUSH SW		1	
	S6	S7A-0001-00	TACTILE PUSH SW		1	
	S7	S7A-0001-00	TACTILE PUSH SW		1	
<b>BT PWB ASSY(XJ9-017E-00) &lt;XJ9&gt;</b>						
	C951	CK73FXR1C106K	C CAPACITOR	10uF 16V K	1	E2,E7,K1,K0
	C952	CK73HBB1C104K	C CAPACITOR	0.1uF 16V K	1	E2,E7,K1,K0
	C953	CK73HXR0J105K	C CAPACITOR	1uF 6.3V K	1	E2,E7,K1,K0
	R1	RK73GB2A000J	MG RESISTOR	0Ω 1/10W J	1	E2,E7,K1,K0
	R2	RK73GB2A000J	MG RESISTOR	0Ω 1/10W J	1	E2,E7,K1,K0
	R952	RK73HB1J000J	MG RESISTOR	0Ω 1/16W J	1	E2,E7,K1,K0
	R954	RK73HB1J000J	MG RESISTOR	0Ω 1/16W J	1	E2,E7,K1,K0
	R956	RK73HB1J103J	MG RESISTOR	10kΩ 1/16W J	1	E2,E7,K1,K0
	R958	RK73HB1J103J	MG RESISTOR	10kΩ 1/16W J	1	E2,E7,K1,K0
	R960	RK73HB1J000J	MG RESISTOR	0Ω 1/16W J	1	E2,E7,K1,K0
	R961	RK73HB1J000J	MG RESISTOR	0Ω 1/16W J	1	E2,E7,K1,K0
	R962	RK73HB1J101J	MG RESISTOR	100Ω 1/16W J	1	E2,E7,K1,K0
	R963	RK73HB1J331J	MG RESISTOR	330Ω 1/16W J	1	E2,E7,K1,K0
	R964	RK73HB1J561J	MG RESISTOR	560Ω 1/16W J	1	E2,E7,K1,K0
	R965	RK73HB1J561J	MG RESISTOR	560Ω 1/16W J	1	E2,E7,K1,K0
	R966	RK73HB1J271J	MG RESISTOR	270Ω 1/16W J	1	E2,E7,K1,K0
	R967	RK73HB1J000J	MG RESISTOR	0Ω 1/16W J	1	E2,E7,K1,K0

MODEL	MARK	MODEL	MARK	MODEL	MARK	MODEL	MARK
DNX7170DABS	E2	DNX8170DABS	E7	DNX874S	K1	DNX9170DABS	X1
DNX9170S	M1	DNX9170SM	M2	DNX994S	K0		

Safe	Symbol No.	Parts No.	Parts Name	Description	QTY	Local
	R968	RK73HB1J223J	MG RESISTOR	22kΩ 1/16W J	1	E2,E7,K1,K0
	R970	RK73HB1J101J	MG RESISTOR	100Ω 1/16W J	1	E2,E7,K1,K0
	A951	W0C-0167-00	CIRCUIT MODULE		1	E2,E7,K1,K0
	CN1	EC720AA-0515A	FFC FPC CONNE		1	E2,E7,K1,K0
<b>SIGNAL PROCESS. PWB ASSY (XJ9-011E-01) &lt;XJ9&gt;</b>						
	Q1	LSCR523UBFS8	TRANSISTOR		1	E7
	Q100	LTA043ZEBFS8	DIGI TRANSISTOR		1	E7
	Q101	LSCR523EBFS8	TRANSISTOR		1	E7
	Q102	LTA014YEBFS8	DIGI TRANSISTOR		1	E7
	D1	MC2850-1	DIODE ARRAY		1	E7
	D100	MC2850-1	DIODE ARRAY		1	E7
	D102	SML-D12V8W/NPQX	LED		1	E7
	R1	RK73HB1J102J	MG RESISTOR	1kΩ 1/16W J	1	E7
	R2	RK73HB1J104J	MG RESISTOR	100kΩ 1/16W J	1	E7
	R100	RK73GB2A100J	MG RESISTOR	10Ω 1/10W J	1	E7
	R101	RK73HB1J104J	MG RESISTOR	100kΩ 1/16W J	1	E7
	R102	RK73HB1J473J	MG RESISTOR	47kΩ 1/16W J	1	E7
	CN1	EC720AB-0570A	FFC FPC CONNE		1	E7
	CN100	EC720AB-0570A	FFC FPC CONNE		1	E7
	J1	QGZ2203M1-20X	DETACHABLE CONN	(1-20)	1	E7
	J2	QGZ2203M1-20X	DETACHABLE CONN	(1-20)	1	E7
	J100	QGZ2203L2-20X	DETACHABLE CONN	(1-20)	1	E7
	J101	QGZ2203L2-20X	DETACHABLE CONN	(1-20)	1	E7
	VA2	EZJZ0800AA	VARISTOR		1	E7
	VA3	EZJP0270EA	VARISTOR		1	E7
	VA4	EZJZ0800AA	VARISTOR		1	E7
	VA5	EZJZ0800AA	VARISTOR		1	E7
	VA6	NAF0043-8R0X	VARISTOR(ZNR)		1	E7
	VA7	NAF0043-8R0X	VARISTOR(ZNR)		1	E7
	VA9	NAF0043-8R0X	VARISTOR(ZNR)		1	E7
	VA10	NAF0043-8R0X	VARISTOR(ZNR)		1	E7
	VA11	NAF0043-8R0X	VARISTOR(ZNR)		1	E7
	VA12	NAF0043-8R0X	VARISTOR(ZNR)		1	E7
	VA13	NAF0043-8R0X	VARISTOR(ZNR)		1	E7
	VA14	NAF0043-8R0X	VARISTOR(ZNR)		1	E7
	VA15	NAF0043-8R0X	VARISTOR(ZNR)		1	E7
	VA16	EZJP0270EA	VARISTOR		1	E7
	VA17	EZJZ0800AA	VARISTOR		1	E7
	VA18	EZJZ0800AA	VARISTOR		1	E7
	VA19	NAF0043-8R0X	VARISTOR(ZNR)		1	E7
	VA20	NAF0043-8R0X	VARISTOR(ZNR)		1	E7
	VA21	NAF0043-8R0X	VARISTOR(ZNR)		1	E7
	VA22	NAF0043-8R0X	VARISTOR(ZNR)		1	E7
	VA23	NAF0043-8R0X	VARISTOR(ZNR)		1	E7
	VA24	NAF0019-001X	VARISTOR(ZNR)		1	E7
	VA25	NAF0019-001X	VARISTOR(ZNR)		1	E7
	VA26	EZJZ0800AA	VARISTOR		1	E7
	VA27	EZJZ0800AA	VARISTOR		1	E7
	VA100	EZJZ0800AA	VARISTOR		1	E7
	VA101	NAF0043-8R0X	VARISTOR(ZNR)		1	E7
	VA102	EZJP0270EA	VARISTOR		1	E7
	VA103	EZJZ0800AA	VARISTOR		1	E7
	VA104	EZJZ0800AA	VARISTOR		1	E7
	VA105	NAF0043-8R0X	VARISTOR(ZNR)		1	E7
	VA106	NAF0043-8R0X	VARISTOR(ZNR)		1	E7
	VA107	NAF0043-8R0X	VARISTOR(ZNR)		1	E7
	VA108	NAF0043-8R0X	VARISTOR(ZNR)		1	E7
	VA109	NAF0043-8R0X	VARISTOR(ZNR)		1	E7
	VA112	EZJP0270EA	VARISTOR		1	E7
	VA113	EZJZ0800AA	VARISTOR		1	E7
	VA114	EZJZ0800AA	VARISTOR		1	E7
	VA115	NAF0043-8R0X	VARISTOR(ZNR)		1	E7
	VA116	NAF0043-8R0X	VARISTOR(ZNR)		1	E7
	VA117	NAF0043-8R0X	VARISTOR(ZNR)		1	E7
	VA118	NAF0043-8R0X	VARISTOR(ZNR)		1	E7
	VA119	NAF0043-8R0X	VARISTOR(ZNR)		1	E7
	VA120	NAF0043-8R0X	VARISTOR(ZNR)		1	E7
	VA121	NAF0043-8R0X	VARISTOR(ZNR)		1	E7
	VA122	NAF0043-8R0X	VARISTOR(ZNR)		1	E7
	VA123	NAF0043-8R0X	VARISTOR(ZNR)		1	E7
	VA124	EZJZ0800AA	VARISTOR		1	E7
	VA125	EZJZ0800AA	VARISTOR		1	E7
<b>DVD MECHA PWB ASSY (LVA11172-04A) &lt;L17&gt;</b>						
	IC1	AN41250A-X	IC		1	
	IC2	M12L128168A6TG	SV-DRAM IC		1	
	IC3	WZZ-0025-00	PROGRAMMED IC		1	
	IC4	MN2DS0041MD	IC		1	
	IC5	BD12KA5FP-X	IC		1	
	IC6	XC6120N282N-G	IC		1	
	IC8	MM1663DTE	MOS IC		1	
	Q1	2SK3019-X	MOS FET		1	
	Q2	2SK3019-X	MOS FET		1	
	Q3	LSCR523EBFS8	TRANSISTOR		1	
	Q4	2SB1709MG	TRANSISTOR		1	
	Q5	LSCR523EBFS8	TRANSISTOR		1	
	Q6	2SB1709MG	TRANSISTOR		1	
	Q11	LTA014TEB-X	DIGI TRANSISTOR		1	
	Q12	LTA014TEB-X	DIGI TRANSISTOR		1	
	D1	TAN1102W-22-X	IR LED		1	
	D4	TAN1102W-22-X	IR LED		1	

MODEL	MARK	MODEL	MARK	MODEL	MARK	MODEL	MARK
DNX7170DABS	E2	DNX8170DABS	E7	DNX874S	K1	DNX9170DABS	X1
DNX9170S	M1	DNX9170SM	M2	DNX994S	K0		

Safe	Symbol No.	Parts No.	Parts Name	Description	QTY	Local
	D5	1SS355VM-X	SI DIODE		1	
	C1	CK73HBB1E103K	C CAPACITOR	0.01uF 25V K	1	
	C2	NCJ20JK-106X-R	C CAPACITOR	10uF 6.3V K	1	
	C6	CK730BW0J226M	C CAPACITOR	22uF 6.3V M	1	
	C7	CK73HBB1E103K	C CAPACITOR	0.01uF 25V K	1	
	C8	CK73HBB1E103K	C CAPACITOR	0.01uF 25V K	1	
	C10	CK730BU0J475K	C CAPACITOR	4.7uF 6.3V K	1	
	C12	NCJ20JK-106X-R	C CAPACITOR	10uF 6.3V K	1	
	C13	NCJ20JK-106X-R	C CAPACITOR	10uF 6.3V K	1	
	C14	CK73HBB1A104K	C CAPACITOR	0.1uF 10V K	1	
	C16	CK73HBB1C333K	C CAPACITOR	0.033uF 16V K	1	
	C17	CK73HBB1A104K	C CAPACITOR	0.1uF 10V K	1	
	C18	CC73HCH1H120J	C CAPACITOR	12pF 50V J	1	
	C19	CK73HBB1A104K	C CAPACITOR	0.1uF 10V K	1	
	C20	CK73HBB1A104K	C CAPACITOR	0.1uF 10V K	1	
	C21	CK73HBB1A104K	C CAPACITOR	0.1uF 10V K	1	
	C22	CK73HBB1A104K	C CAPACITOR	0.1uF 10V K	1	
	C23	CC73HCH1H120J	C CAPACITOR	12pF 50V J	1	
	C24	CK730BS0J105K	C CAPACITOR	1uF 6.3V K	1	
	C25	CK730BS0J105K	C CAPACITOR	1uF 6.3V K	1	
	C26	CC73HCH1H102J	C CAPACITOR	1000pF 50V J	1	
	C28	NCJ20JK-106X-R	C CAPACITOR	10uF 6.3V K	1	
	C29	NCJ20JK-106X-R	C CAPACITOR	10uF 6.3V K	1	
	C31	CK730BU0J475K	C CAPACITOR	4.7uF 6.3V K	1	
	C33	CK73HBB1H682K	C CAPACITOR	6800pF 50V K	1	
	C34	CK73HBB1H682K	C CAPACITOR	6800pF 50V K	1	
	C35	CC73HCH1H681J	C CAPACITOR	680pF 50V J	1	
	C36	CC73HCH1H471J	C CAPACITOR	470pF 50V J	1	
	C37	NCJ20JK-106X-R	C CAPACITOR	10uF 6.3V K	1	
	C38	NCJ20JK-106X-R	C CAPACITOR	10uF 6.3V K	1	
	C45	CK73HBB1A104K	C CAPACITOR	0.1uF 10V K	1	
	C47	CK73HBB1A104K	C CAPACITOR	0.1uF 10V K	1	
	C48	CK73HBB1H222K	C CAPACITOR	2200pF 50V K	1	
	C49	CK73HBB1A104K	C CAPACITOR	0.1uF 10V K	1	
	C50	CK73HBB1H222K	C CAPACITOR	2200pF 50V K	1	
	C51	CK73HBB1H472K	C CAPACITOR	4700pF 50V K	1	
	C52	CK73HBB1E103K	C CAPACITOR	0.01uF 25V K	1	
	C53	CK73HBB1H222K	C CAPACITOR	2200pF 50V K	1	
	C55	CK73HBB1A104K	C CAPACITOR	0.1uF 10V K	1	
	C56	CK73HBB1H222K	C CAPACITOR	2200pF 50V K	1	
	C57	CK73HBB1E103K	C CAPACITOR	0.01uF 25V K	1	
	C58	CK73HBB1E103K	C CAPACITOR	0.01uF 25V K	1	
	C59	CK73HBB1A104K	C CAPACITOR	0.1uF 10V K	1	
	C60	CK73HBB1A104K	C CAPACITOR	0.1uF 10V K	1	
	C61	CK73HBB1A104K	C CAPACITOR	0.1uF 10V K	1	
	C62	CK73HBB1A104K	C CAPACITOR	0.1uF 10V K	1	
	C63	CK73HBB1A104K	C CAPACITOR	0.1uF 10V K	1	
	C64	CK73HBB1A104K	C CAPACITOR	0.1uF 10V K	1	
	C65	CK73HBB1A104K	C CAPACITOR	0.1uF 10V K	1	
	C66	CK73HBB1A104K	C CAPACITOR	0.1uF 10V K	1	
	C67	CK73HBB1A104K	C CAPACITOR	0.1uF 10V K	1	
	C68	CK73HBB1E103K	C CAPACITOR	0.01uF 25V K	1	
	C70	CK730BS0J105K	C CAPACITOR	1uF 6.3V K	1	
	C71	CK73HBB1A104K	C CAPACITOR	0.1uF 10V K	1	
	C74	CK73HBB1A104K	C CAPACITOR	0.1uF 10V K	1	
	C75	CC73HCH1H101J	C CAPACITOR	100pF 50V J	1	
	C76	CK730BW0J226M	C CAPACITOR	22uF 6.3V M	1	
	C77	CK73HBB1A104K	C CAPACITOR	0.1uF 10V K	1	
	C78	CK730BU0J475K	C CAPACITOR	4.7uF 6.3V K	1	
	C79	CK73HBB1H222K	C CAPACITOR	2200pF 50V K	1	
	C80	CK73HBB1H222K	C CAPACITOR	2200pF 50V K	1	
	C81	CK730BS0J105K	C CAPACITOR	1uF 6.3V K	1	
	C82	CK730BS0J105K	C CAPACITOR	1uF 6.3V K	1	
	C83	CK73HXR0J105K	C CAPACITOR	1uF 6.3V K	1	
	C84	NCJ20JK-106X-R	C CAPACITOR	10uF 6.3V K	1	
	C85	CK73HBB1A104K	C CAPACITOR	0.1uF 10V K	1	
	C86	CK73HBB1A104K	C CAPACITOR	0.1uF 10V K	1	
	C87	CK73HBB1A104K	C CAPACITOR	0.1uF 10V K	1	
	C88	CK73HBB1A104K	C CAPACITOR	0.1uF 10V K	1	
	C89	CK73HBB1A104K	C CAPACITOR	0.1uF 10V K	1	
	C90	CK73HBB1A104K	C CAPACITOR	0.1uF 10V K	1	
	C91	CK73HBB1A104K	C CAPACITOR	0.1uF 10V K	1	
	C92	CK73HBB1A104K	C CAPACITOR	0.1uF 10V K	1	
	C93	CK73HBB1A104K	C CAPACITOR	0.1uF 10V K	1	
	C94	CK730BW0J226M	C CAPACITOR	22uF 6.3V M	1	
	C95	CK730BW0J226M	C CAPACITOR	22uF 6.3V M	1	
	C96	CK730BW0J226M	C CAPACITOR	22uF 6.3V M	1	
	C101	CK730BW0J226M	C CAPACITOR	22uF 6.3V M	1	
	C102	CK730BW0J226M	C CAPACITOR	22uF 6.3V M	1	
	C103	CK73HBB1H222K	C CAPACITOR	2200pF 50V K	1	
	C104	CK73HBB1H222K	C CAPACITOR	2200pF 50V K	1	
	C105	CC73HCH1H150J	C CAPACITOR	15pF 50V J	1	
	C112	CK73HBB1A104K	C CAPACITOR	0.1uF 10V K	1	
	C115	CK730BS0J105K	C CAPACITOR	1uF 6.3V K	1	
	C120	CK73HBB1A104K	C CAPACITOR	0.1uF 10V K	1	
	C121	CK73HBB1A104K	C CAPACITOR	0.1uF 10V K	1	
	R1	RK73GB2A561J	MG RESISTOR	560Ω 1/10W J	1	
	R2	RK73HB1J271J	MG RESISTOR	270Ω 1/16W J	1	
	R3	RK73HB1J301J	MG RESISTOR	300Ω 1/16W J	1	
	R4	RK73GB2A561J	MG RESISTOR	560Ω 1/10W J	1	

MODEL	MARK	MODEL	MARK	MODEL	MARK	MODEL	MARK
DNX7170DABS	E2	DNX8170DABS	E7	DNX874S	K1	DNX9170DABS	X1
DNX9170S	M1	DNX9170SM	M2	DNX994S	K0		

Safe	Symbol No.	Parts No.	Parts Name	Description	QTY	Local
R5		RK73HB1J163J	MG RESISTOR	16kΩ 1/16W J	1	
R6		RK73HB1J103J	MG RESISTOR	10kΩ 1/16W J	1	
R7		RK73HB1J103J	MG RESISTOR	10kΩ 1/16W J	1	
R8		RK73HB1J103J	MG RESISTOR	10kΩ 1/16W J	1	
R9		RK73HB1J333J	MG RESISTOR	33kΩ 1/16W J	1	
R10		RK73HB1J103J	MG RESISTOR	10kΩ 1/16W J	1	
R11		RK73HB1J103J	MG RESISTOR	10kΩ 1/16W J	1	
R12		RK73HB1J103J	MG RESISTOR	10kΩ 1/16W J	1	
R15		RK73HB1J102J	MG RESISTOR	1kΩ 1/16W J	1	
R16		RK73HB1J102J	MG RESISTOR	1kΩ 1/16W J	1	
R17		RK73HB1J105J	MG RESISTOR	1MΩ 1/16W J	1	
R18		RK73HH1J303D	MG RESISTOR	30kΩ 1/16W D	1	
R19		RK73HB1J223J	MG RESISTOR	22kΩ 1/16W J	1	
R20		RK73HB1J471J	MG RESISTOR	470Ω 1/16W J	1	
R21		RK73HB1J100J	MG RESISTOR	10Ω 1/16W J	1	
R22		RK73HB1J560J	MG RESISTOR	56Ω 1/16W J	1	
R23		RK73HB1J2R2J	MG RESISTOR	2.2Ω 1/16W J	1	
R25		RK73HB1J471J	MG RESISTOR	470Ω 1/16W J	1	
R27		RK73HB1J471J	MG RESISTOR	470Ω 1/16W J	1	
R28		RK73HB1J100J	MG RESISTOR	10Ω 1/16W J	1	
R29		RK73HB1J560J	MG RESISTOR	56Ω 1/16W J	1	
R30		RK73HB1J2R2J	MG RESISTOR	2.2Ω 1/16W J	1	
R31		RK73PB2H270J	MG RESISTOR	27Ω 1/2W J	1	
R32		RK73HB1J203J	MG RESISTOR	20kΩ 1/16W J	1	
R33		RK73HB1J333J	MG RESISTOR	33kΩ 1/16W J	1	
R34		RK73HB1J471J	MG RESISTOR	470Ω 1/16W J	1	
R35		RK73PB2H270J	MG RESISTOR	27Ω 1/2W J	1	
R51		RK73HB1J223J	MG RESISTOR	22kΩ 1/16W J	1	
R52		RK73HB1J223J	MG RESISTOR	22kΩ 1/16W J	1	
R53		NRZ0098-R27X	MG RESISTOR	0.27Ω	1	
R54		RK73HB1J103J	MG RESISTOR	10kΩ 1/16W J	1	
R55		RK73HB1J101J	MG RESISTOR	100Ω 1/16W J	1	
R56		RK73HB1J103J	MG RESISTOR	10kΩ 1/16W J	1	
R57		RK73HB1J103J	MG RESISTOR	10kΩ 1/16W J	1	
R58		RK73HB1J103J	MG RESISTOR	10kΩ 1/16W J	1	
R59		RK73HB1J103J	MG RESISTOR	10kΩ 1/16W J	1	
R60		RK73HB1J821J	MG RESISTOR	820Ω 1/16W J	1	
R61		RK73HB1J242J	MG RESISTOR	2.4kΩ 1/16W J	1	
R62		RK73HB1J103J	MG RESISTOR	10kΩ 1/16W J	1	
R63		RK73HB1J332J	MG RESISTOR	3.3kΩ 1/16W J	1	
R64		RK73HB1J202J	MG RESISTOR	2kΩ 1/16W J	1	
R65		RK73HB1J102J	MG RESISTOR	1kΩ 1/16W J	1	
R66		RK73HB1J102J	MG RESISTOR	1kΩ 1/16W J	1	
R69		RK73HB1J102J	MG RESISTOR	1kΩ 1/16W J	1	
R70		RK73HB1J102J	MG RESISTOR	1kΩ 1/16W J	1	
R73		RK73HB1J472J	MG RESISTOR	4.7kΩ 1/16W J	1	
R74		RK73HB1J4R7J	MG RESISTOR	4.7Ω 1/16W J	1	
R75		RK73HB1J000J	MG RESISTOR	0Ω 1/16W J	1	
R76		RK73HB1J472J	MG RESISTOR	4.7kΩ 1/16W J	1	
R77		RK73HB1J4R7J	MG RESISTOR	4.7Ω 1/16W J	1	
R78		RK73HB1J221J	MG RESISTOR	220Ω 1/16W J	1	
R79		RK73HB1J221J	MG RESISTOR	220Ω 1/16W J	1	
R80		RK73HB1J103J	MG RESISTOR	10kΩ 1/16W J	1	
R81		RK73HB1J103J	MG RESISTOR	10kΩ 1/16W J	1	
R82		RK73HB1J102J	MG RESISTOR	1kΩ 1/16W J	1	
R86		RK73HB1J102J	MG RESISTOR	1kΩ 1/16W J	1	
R92		RK73HB1J103J	MG RESISTOR	10kΩ 1/16W J	1	
R95		RK73HB1J470J	MG RESISTOR	47Ω 1/16W J	1	
R96		RK73HB1J103J	MG RESISTOR	10kΩ 1/16W J	1	
R105		RK73HB1J101J	MG RESISTOR	100Ω 1/16W J	1	
R106		RK73HB1J103J	MG RESISTOR	10kΩ 1/16W J	1	
R107		RK73HB1J221J	MG RESISTOR	220Ω 1/16W J	1	
R108		RK73HB1J221J	MG RESISTOR	220Ω 1/16W J	1	
R113		RK73HB1J470J	MG RESISTOR	47Ω 1/16W J	1	
R114		NRSA6AD-5901W	MG RESISTOR	5.9kΩ 1/16W D	1	
R120		RK73HB1J432J	MG RESISTOR	4.3kΩ 1/16W J	1	
R121		RK73HB1J242J	MG RESISTOR	2.4kΩ 1/16W J	1	
R122		RK73HB1J162J	MG RESISTOR	1.6kΩ 1/16W J	1	
R123		RK73HB1J332J	MG RESISTOR	3.3kΩ 1/16W J	1	
R125		RK73GB2A000J	MG RESISTOR	0Ω 1/10W J	1	
R128		RK73GB2A000J	MG RESISTOR	0Ω 1/10W J	1	
CN1		EC720AA-0526A	FFC/FPC CONNE	FFC/FPC (1-26)	1	
CN4		QGF0534F7-35X	FFC/FPC CONNE	FFC/FPC (1-35)	1	
CN5		QGF0534F7-18X	FFC/FPC CONNE	FFC/FPC (1-18)	1	
CN9		QGA1501F4-03W	W TO B CONNE	W-B (1-3)	1	
PH1		PS1192HB-22-X	OPT TRANSMITTER		1	
PH2		PS1192HB-22-X	OPT TRANSMITTER		1	
S1		NSW0351-001X	LEVER SWITCH		1	
TH1		NAD0055-103X	N THERMISTOR	10kΩ	1	
X1		NAX1135-001X	CRYSTAL		1	