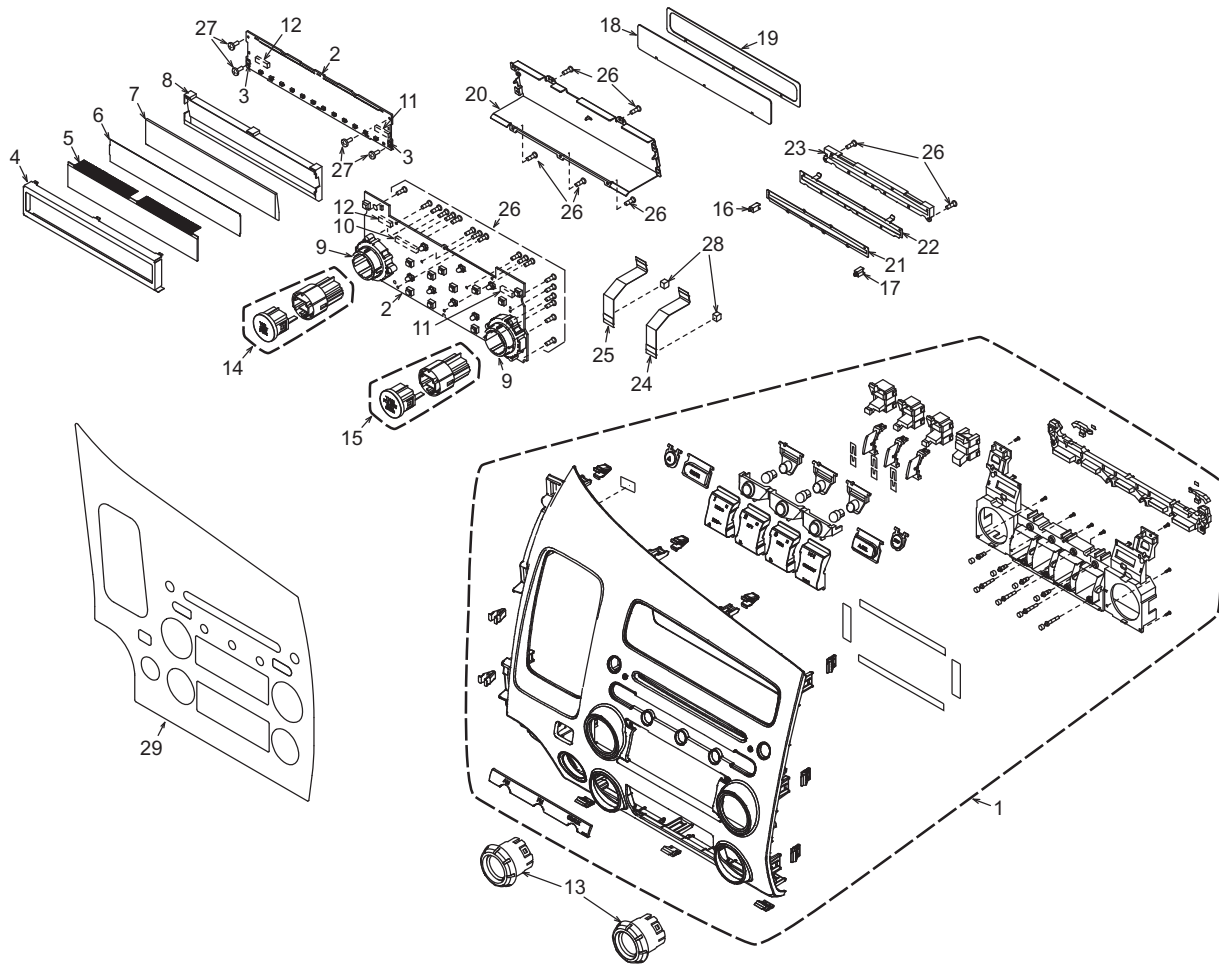


EXPLODED VIEW / PARTS LIST

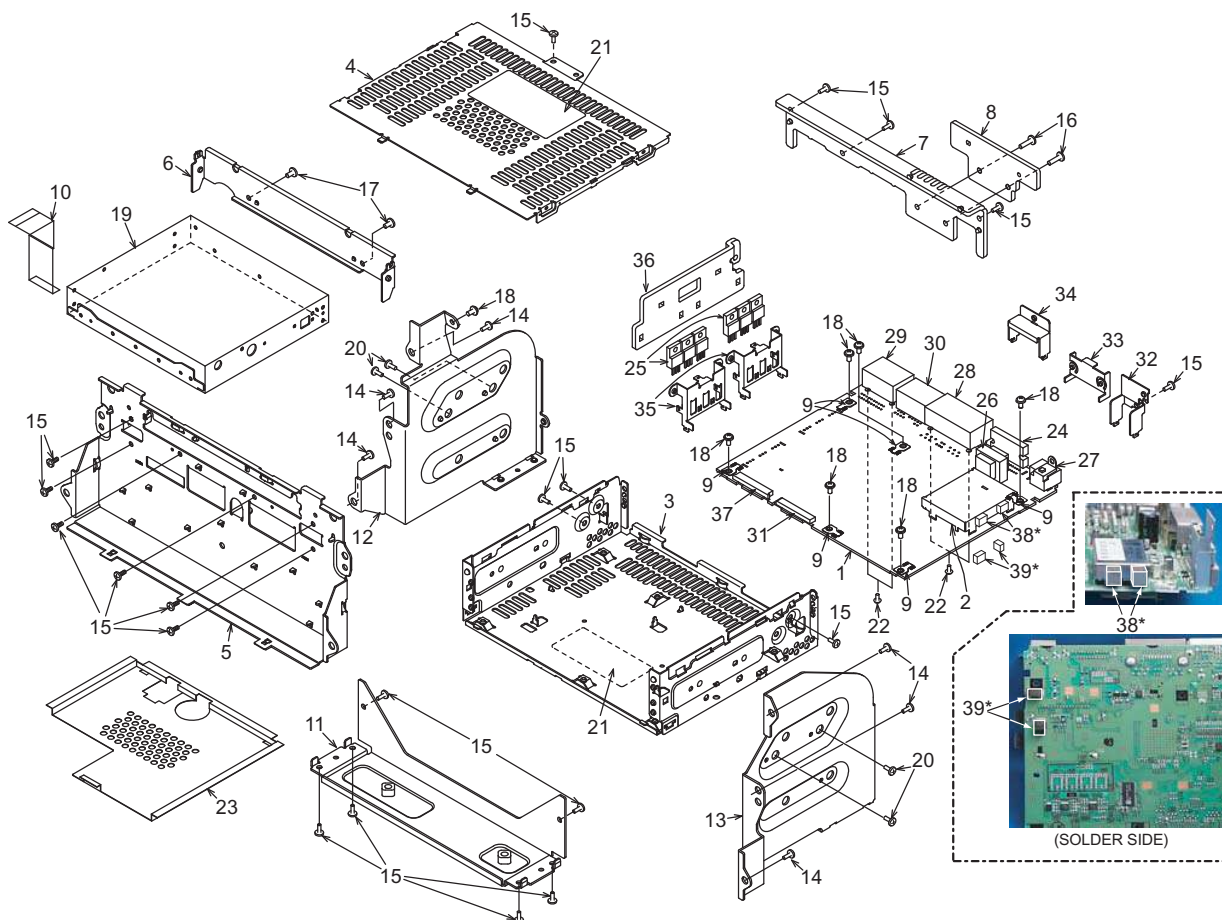
Escutcheon section



Note) Some parts depend on each model. The model name is specified in the description.
 C-A : PH-3119C-A , C-C : PH-3119C-C

NO.	PART NO.	DESCRIPTION	QTY	NO.	PART NO.	DESCRIPTION	QTY
1	940-8232-02 940-8152-03	ESCUTCHEON-ASSY (C-A) ESCUTCHEON-ASSY (C-C)	1	16	335-7596-00	INDICATOR-L	1
2	-----	Switch PWB	1	17	335-7597-00	INDICATOR-R	1
3	073-0786-90	TERMINAL	2	18	373-1078-00	DIAL-CVR	1
4	331-4067-01	LCD COVER	1	19	345-5588-00	CUSSION SHEET	1
5	379-1425-43	LCD(INDICATOR)	1	20	331-4063-01	LCD PLATE	1
6	335-7636-20	COLOR FILTER	1	21	346-0179-00	LEATHER SHEET	1
7	335-7601-00	LCD ILLUMI	1	22	331-4064-01	SHIELD PLATE	1
8	335-7602-00	ILLUMI HOLDER	1	23	335-7598-00	DISC GUIDE	1
9	016-7003-00	ROTARY ENODER	2	24	816-4014-51	FLAT WIRE (14P)	1
10	074-3014-74	OUTLET SOCKET (24P)	1	25	816-4013-51	FLAT WIRE (12P)	1
11	074-1158-64	OUTLET SOCKET (14P)	2	26	716-0778-51	SCREW (M2x6)	25
12	074-1158-62	OUTLET SOCKET (12P)	2	27	716-1670-01	SCREW (M2x4)	4
13	380-5642-00	KNOB	2	28	345-8581-03	GASKET	2
14	382-7545-80	BUTTON-ASSY-L	1	29	347-7841-51	PROTECTOR (C-C)	1
15	382-7546-80	BUTTON-ASSY-R	1				

Main section



Note) Some parts depend on each model. The model name is specified in the description.

C-A : PH-3119C-A , C-C : PH-3119C-C

NO.	PART NO.	DESCRIPTION	Q'TY	NO.	PART NO.	DESCRIPTION	Q'TY
1	-----	Main PWB	1	22	778-3005-00	TAP SCREW (M3x5)	4
2	880-2091G	TUNER PACK	1	23	347-7805-00	MECH CVR	1
3	311-1910-00	LOWER CASE	1	24	051-2042-00	IC (TA8275HQ)	1
4	310-1817-02	UPPER CASE	1	25	103-2394-00	TRANSISTOR (2SD2394)	6
5	331-4068-00	ES-PLATE	1	26	009-0670-80	CHOKE	1
6	331-4069-00	MECH-BRKT	1	27	092-2209-00	ANT-RECEPT	1
7	313-1946-00	HEAT SINK A	1	28	074-4016-17	OUTLET SOCKET (17P)	1
8	313-1947-00	HEAT SINK B	1	29	074-4017-20	OUTLET SOCKET (20P)	1
9	073-0762-90	TERMINAL	6	30	074-1168-14	OUTLET SOCKET (14P)	1
10	816-4028-50	FLAT WIRE	1	31	074-1237-79	OUTLET SOCKET (29P)	1
11	300-8066-00	MTG-BRKT(LOW)	1	32	331-4065-00	ANT HOLDER	1
12	300-8064-00	MTG-BRKT(L)	1	33	331-3459-00	IC HOLDER	1
13	300-8065-00	MTG-BRKT(R)	1	34	331-3769-00	OUTLET HOLDER	1
14	716-3559-00	SCREW(M4.7x12)	6	35	331-4066-00	TR HOLDER	2
15	714-2606-8B	MACHINE SCREW (M2.6x6)	20	36	313-1948-00	SUB HEAT SINK	1
16	714-2614-8B	MACHINE SCREW (M2.6x14)	2	37	076-3011-74	PLUG (24P)	1
17	714-2603-8B	MACHINE SCREW (M2.6x3)	2	38	345-6066-00 345-8581-03	GASKET (C-A) GASKET (C-C)	2
18	716-0878-50	SCREW (M2.6x5)	7	39	345-6341-00 345-8720-00	GASKET (C-A) GASKET (C-C)	2
19	929-5019-81	CD-MECH-MODULE	1				
20	714-5008-8B	MACHINE SCREW (M5.0x8)	4				
21	286-6685-69 286-6685-85	SETPLATE (C-A) (39100 SVA A03) SETPLATE (C-C) (39100 SNJ M02)	1				

ELECTRICAL PARTS LIST

Main PWB section(B1)

Note) Some parts depend on each model. The model name is specified in the description.

C-A : PH-3119C-A , C-C : PH-3119C-C

REF No.	PART No.	DESCRIPTION	REF No.	PART No.	DESCRIPTION	REF No.	PART No.	DESCRIPTION
ANT101	092-2209-00	ANTENNA RECEPT	C414	168-1022-55	1000pF K	C497	163-4763-15	6.3V 47uF
BL101	880-2091G	TUNER PACK	C415	166-1511-50	150pF CH	C498	168-3322-55	3300pF K
C101	166-1511-50	150pF CH	C416	166-1511-50	150pF CH	C499	168-3322-55	3300pF K
C102	166-2201-50	22pF CH	C417	166-1511-50	150pF CH	C500	168-1042-78	16V 0.1uF
C103	168-1022-55	1000pF K	C418	166-1511-50	150pF CH	C501	043-0499-51	0.1uF
C104	163-1073-35	16V 100uF	C419	163-4753-55	35V 4.7uF	C502	163-2263-15	6.3V 22uF
C105	168-1022-55	1000pF K	C420	168-1042-78	16V 0.1uF	C503	168-1042-78	16V 0.1uF
C106	163-1073-35	16V 100uF	C421	163-4753-55	35V 4.7uF	C504	178-1042-78	0.1uF
C107	168-1022-55	1000pF K	C422	168-1042-78	16V 0.1uF	C509	163-2253-65	50V 2.2uF
C108	168-1022-55	1000pF K	C423	168-1022-55	1000pF K	C510	163-2253-65	50V 2.2uF
C109	168-1022-55	1000pF K	C424	168-1022-55	1000pF K	C527	163-2253-65	50V 2.2uF
C110	168-1022-55	1000pF K	C425	166-1011-50	100pF CH	C528	168-5612-55	560pF Z
C111	168-1022-55	1000pF K	C426	168-1042-78	16V 0.1uF	C529	163-2253-65	50V 2.2uF
C112	163-1063-35	16V 10uF	C427	168-1042-78	16V 0.1uF	C531	168-1545-56	0.15uF Z
C113	163-4763-35	16V 47uF	C428	168-1042-78	16V 0.1uF	C532	168-1545-56	0.15uF Z
C115	166-2211-50	220pF CH	C429	168-5622-55	5600pF K	C533	168-1545-56	0.15uF Z
C201	166-1007-50	10pF CH	C430	168-5622-55	5600pF K	C534	168-1545-56	0.15uF Z
C202	166-1007-50	10pF CH	C431	163-4753-55	35V 4.7uF	C535	163-1063-35	16V 10uF
C203	168-1042-78	16V 0.1uF	C432	168-1042-78	16V 0.1uF	C536	168-2222-55	2200pF K
C204	168-1042-78	16V 0.1uF	C433	168-1042-78	16V 0.1uF	C538	168-2222-55	2200pF K
C205	168-1042-78	16V 0.1uF	C434	168-2232-55	0.022uF K	C541	168-2222-55	2200pF K
C206	168-1042-78	16V 0.1uF	C435	163-1073-15	6.3V 100uF	C542	168-2222-55	2200pF K
C207	168-1042-78	16V 0.1uF	C436	168-1042-78	16V 0.1uF	C543	168-1032-55	0.01uF K
C208	168-1042-78	16V 0.1uF	C437	043-0504-50	10V 4.7uF	C546	163-3353-65	50V 3.3uF
C209	168-1042-78	16V 0.1uF	C438	168-4732-78	0.047uF K	C547	043-0499-51	0.1uF
C210	168-1042-78	16V 0.1uF	C439	163-2263-15	6.3V 22uF	C548	189-3383-31	16V 3300uF
C211	168-1042-78	16V 0.1uF	C440	168-1042-78	16V 0.1uF	C549	178-2222-78	2200pF
C212	043-0554-90	25V 10uF	C441	168-1042-78	16V 0.1uF	C550	178-2222-78	2200pF
C213	168-1042-78	16V 0.1uF	C442	168-1022-55	1000pF K	C551	178-2222-78	2200pF
C214	168-1042-78	16V 0.1uF	C443	168-2232-55	0.022uF K	C552	178-2222-78	2200pF
C215	163-1073-15	6.3V 100uF	C444	163-1063-35	16V 10uF	C557	178-2222-78	2200pF
C216	168-1042-78	16V 0.1uF	C445	178-1052-78	1uF	C558	178-2222-78	2200pF
C217	119-3331-15	1/10W 33k ohm	C446	168-1042-78	16V 0.1uF	C559	178-2222-78	2200pF
C218	168-1042-78	16V 0.1uF	C447	168-3332-78	0.033uF K	C560	178-2222-78	2200pF
C219	168-1042-78	16V 0.1uF	C448	178-1052-78	1uF	C563	178-1042-78	0.1uF
C220	163-4763-35	16V 47uF	C449	168-2222-55	2200pF K	C564	163-1073-35	16V 100uF
C221	163-4763-15	6.3V 47uF	C450	168-2222-55	2200pF K	C596	166-5611-50	560pF CH
C222	163-4763-15	6.3V 47uF	C451	168-2222-55	2200pF K	C597	166-5611-50	560pF CH
C223	163-1063-35	16V 10uF	C452	168-2222-55	2200pF K	C598	166-5611-50	560pF CH
C224	168-1042-78	16V 0.1uF	C453	168-2232-55	0.022uF K	C599	166-5611-50	560pF CH
C225	168-1042-78	16V 0.1uF	C454	168-4712-55	470pF K	C701	178-1052-78	1uF
C226	043-0554-90	25V 10uF	C458	168-1042-78	16V 0.1uF	C702	168-1032-55	0.01uF K
C227	043-0554-90	25V 10uF	C459	168-1042-78	16V 0.1uF	C703	168-1022-55	1000pF K
C228	163-1073-15	6.3V 100uF	C460	168-2232-55	0.022uF K	C704	168-1042-78	16V 0.1uF
C231	168-1042-78	16V 0.1uF	C461	163-2263-15	6.3V 22uF	C705	163-4753-55	35V 4.7uF
C232	168-1042-78	16V 0.1uF	C462	168-1042-78	16V 0.1uF	C706	168-1022-55	1000pF K
C301	178-1022-78	1000pF	C463	163-3373-15	6.3V 330uF	C707	168-1022-55	1000pF K
C302	178-1022-78	1000pF	C464	168-1042-78	16V 0.1uF	C708	168-1042-78	16V 0.1uF
C303	168-1032-55	0.01uF K	C465	163-2273-25	10V 220uF	C709	042-0643-52	6.3V 1000uF
C309	166-1011-50	100pF CH	C466	168-1042-78	16V 0.1uF	C710	163-4753-55	35V 4.7uF
C310	166-1011-50	100pF CH	C472	163-2263-15	6.3V 22uF	C711	166-1801-50	18pF CH
C313	166-1011-50	100pF CH	C473	163-2263-15	6.3V 22uF	C712	166-1801-50	18pF CH
C314	166-1011-50	100pF CH	C474	163-2263-15	6.3V 22uF	C713	163-1063-35	16V 10uF
C381	166-1511-50	150pF CH	C475	163-2263-15	6.3V 22uF	C715	043-0499-51	0.1uF
C382	166-1511-50	150pF CH	C477	166-5611-50	560pF CH	C716	178-1052-78	1uF
C383	166-1511-50	150pF CH	C478	166-5611-50	560pF CH	C718	163-1063-35	16V 10uF
C384	166-1511-50	150pF CH	C479	166-5611-50	560pF CH	C719	168-1032-55	0.01uF K
C400	168-1022-55	1000pF K	C480	166-5611-50	560pF CH	C720	168-1032-55	0.01uF K
C401	163-2253-65	50V 2.2uF	C481	166-2201-50	22pF CH	C721	168-1042-78	16V 0.1uF
C402	163-2253-65	50V 2.2uF	C482	166-2201-50	22pF CH	C722	168-1042-78	16V 0.1uF
C403	163-2253-65	50V 2.2uF	C483	166-2201-50	22pF CH	C723	178-2242-78	0.22uF
C404	163-2253-65	50V 2.2uF	C484	166-2201-50	22pF CH	C724	163-2243-65	50V 0.22uF
C405	163-2253-65	50V 2.2uF	C485	166-5611-50	560pF CH	C725	042-0643-52	6.3V 1000uF
C406	163-2253-65	50V 2.2uF	C486	166-5611-50	560pF CH	C726	043-0554-90	25V 10uF
C407	163-4753-55	35V 4.7uF	C487	166-5611-50	560pF CH	C727	168-1042-78	16V 0.1uF
C408	168-1042-78	16V 0.1uF	C488	166-5611-50	560pF CH	C728	168-1042-78	16V 0.1uF
C409	166-1811-50	180pF CH	C491	168-1042-78	16V 0.1uF	C729	042-1678-00	16V 470uF
C410	163-2253-65	50V 2.2uF	C493	043-0554-90	25V 10uF	C732	-----	(C-A)
C411	163-2253-65	50V 2.2uF	C494	043-0554-90	25V 10uF	C732	168-1042-78	16V 0.1uF (C-C)
C412	166-1007-50	10pF CH	C495	168-1042-78	16V 0.1uF	C735	043-0499-51	0.1uF
C413	166-1007-50	10pF CH	C496	163-1073-15	6.3V 100uF	C736	166-4096-50	4pF CH

Note) Several different parts of the same reference number are alternative parts. One of those parts is used in the set.

Note) Some parts depend on each model. The model name is specified in the description. C-A : PH-3119C-A , C-C : PH-3119C-C

REF No.	PART No.	DESCRIPTION	REF No.	PART No.	DESCRIPTION	REF No.	PART No.	DESCRIPTION
C803	168-1042-78	16V 0.1uF	IC401	-----	SAF7730HV/N217F	Q701	192-4081-00	2SC4081
C901	168-1032-55	0.01uF K	IC403	051-3019-90	NUM2060V	Q702	192-4081-00	2SC4081
C902	163-2263-35	16V 22uF	IC404	051-3354-90	BA33BC0WFP	Q704	-----	(C-A)
C903	168-1042-78	16V 0.1uF	IC502	051-3019-90	NUM2060V	Q704	125-2027-91	DTC114EUA (C-C)
C904	163-2263-35	16V 22uF	IC504	051-2042-00	TA8275H	Q711	125-2027-91	DTC114EUA
C905	166-1011-50	100pF CH	IC506	051-3057-90	BA4558RFV	Q712	125-0021-91	DTA114EUA
C906	168-1032-55	0.01uF K	IC701	051-5423-38	BD6329G-TR	Q803	125-2027-91	DTC114EUA
C907	168-1022-55	1000pF K	IC702	051-9423-90	BR93L86REV-W E2	Q901	103-2394-00	2SD2394
C909	163-2263-35	16V 22uF	IC703	052-3217-50	UPD703273YGC-C04-8EA-A (C-A)	Q902	192-4081-00	2SC4081
C910	168-1032-55	0.01uF K	IC703	052-3197-22	UPD703272YGC-360-8EA-A (C-C)	Q904	103-2394-00	2SD2394
C911	168-3332-78	0.033uF K	IC704	051-5811-90	L9637D	Q905	192-4081-00	2SC4081
C912	163-1073-15	6.3V 100uF	IC704	051-5811-90	L9637D	Q906	125-2027-91	DTC114EUA
C913	168-1042-78	16V 0.1uF	IC705	051-3408-90	BA2903FV	Q907	125-0021-92	DTA124EUA
C914	168-1022-55	1000pF K	IC706	051-3344-90	BD3930FP-E2	Q908	192-4081-00	2SC4081
D101	001-2403-90	M1F60	IC902	051-3218-90	TA76431F	Q909	192-4081-00	2SC4081
D102	001-2403-90	M1F60	J101	074-4016-17	17P	Q912	103-2394-00	2SD2394
D103	001-0516-90	MA111	J201	074-1237-79	29P	Q913	103-2394-00	2SD2394
D103	001-0517-90	1SS355	J301	074-1168-14	14P(GA-NET)	Q914	103-2394-00	2SD2394
D104	001-0516-90	MA111	J302	074-4017-20	20P	Q915	125-2027-91	DTC114EUA
D104	001-0517-90	1SS355	L101	010-2003-04	30uH	Q916	125-0021-91	DTA114EUA
D105	001-0529-28	MA8051-L	L102	010-3104-50	30 ohm/100MHz	Q921	125-2027-91	DTC114EUA
D106	001-0529-47	MA8091-M	L103	010-4011-10	2.5mH +4/-4%	Q922	125-0021-91	DTA114EUA
D201	001-0529-45	MA8082-H	L201	010-3104-50	30 ohm/100MHz	R101	116-1521-15	1/4W 1.5k ohm
D301	001-0529-69	MA8180-M	L202	010-3104-50	30 ohm/100MHz	R102	119-4731-15	1/10W 47k ohm
D302	001-0529-32	MA8056-M	L203	010-3104-50	30 ohm/100MHz	R105	119-1041-15	1/10W 100k ohm
D303	001-0529-32	MA8056-M	L401	010-3105-62	1k ohm/100MHz	R106	119-1521-15	1/10W 1.5k ohm
D501	001-0516-90	MA111 (C-A)	L402	010-3105-62	1k ohm/100MHz	R107	116-5691-15	1/4W 5.6 ohm
D501	001-0517-90	1SS355 (C-A)	L403	010-3105-62	1k ohm/100MHz	R108	119-1031-15	1/10W 10k ohm
D501	-----	(C-C)	L404	010-3105-62	1k ohm/100MHz	R109	119-1011-15	1/10W 100 ohm
D502	001-0592-00	RM4Z	L405	010-3105-62	1k ohm/100MHz	R110	119-6821-15	1/10W 6.8k ohm
D503	001-2403-90	M1F60 (C-A)	L406	010-3105-62	1k ohm/100MHz	R111	119-6821-15	1/10W 6.8k ohm
D503	-----	(C-C)	L407	010-3105-62	1k ohm/100MHz	R112	119-1011-15	1/10W 100 ohm
D504	001-2403-90	M1F60 (C-A)	L408	010-3105-62	1k ohm/100MHz	R113	119-1011-15	1/10W 100 ohm
D504	-----	(C-C)	L409	010-3105-62	1k ohm/100MHz	R114	117-2721-15	1/8W 2.7k ohm
D505	001-2403-90	M1F60	L410	010-3105-62	1k ohm/100MHz	R115	119-1011-15	1/10W 100 ohm
D701	001-0504-42	HZS7C3L	L411	010-3105-62	1k ohm/100MHz	R116	119-1031-15	1/10W 10k ohm
D702	001-0529-43	MA8082-L	L412	010-3105-62	1k ohm/100MHz	R117	119-1011-15	1/10W 100 ohm
D704	-----	(C-A)	L413	010-3105-62	1k ohm/100MHz	R118	116-2291-15	1/4W 2.2 ohm
D704	001-0529-69	MA8180M (C-C)	L414	010-3105-62	1k ohm/100MHz	R119	116-2291-15	1/4W 2.2 ohm
D708	001-2403-90	M1F60	L415	010-2198-51	0.22uH	R120	116-6811-15	1/4W 680 ohm
D711	001-0516-90	MA111	L416	010-3105-62	1k ohm/100MHz	R121	119-1011-15	1/10W 100 ohm
D711	001-0517-90	1SS355	L701	010-3406-66	22uH J	R122	119-1011-15	1/10W 100 ohm
D712	001-0516-90	MA111	L702	010-3406-66	22uH J	R201	119-1521-15	1/10W 1.5k ohm
D712	001-0517-90	1SS355	L703	010-3406-66	22uH J	R202	119-2251-15	1/10W 2.2M ohm
D713	001-0516-90	MA111	L704	010-3406-66	22uH J	R203	119-2211-15	1/10W 220 ohm
D713	001-0517-90	1SS355	L705	010-3105-62	1k ohm/100MHz	R204	119-1031-15	1/10W 10k ohm
D714	001-0516-90	MA111	L706	010-2285-51	120 ohm/100MHz	R205	119-1031-15	1/10W 10k ohm
D714	001-0517-90	1SS355	P701	076-3011-74	24P	R209	119-1031-15	1/10W 10k ohm
D718	001-0516-90	MA111	Q101	125-2027-91	DTC114EUA	R210	119-3331-15	1/10W 33k ohm
D718	001-0517-90	1SS355	Q102	190-1736-00	2SA1736	R211	119-3321-15	1/10W 3.3k ohm
D719	001-0516-90	MA111	Q103	125-2027-91	DTC114EUA	R212	119-3331-15	1/10W 33k ohm
D719	001-0517-90	1SS355	Q104	191-1197-50	2SB1197K Q,R	R213	119-3321-15	1/10W 3.3k ohm
D804	001-0535-90	MA729	Q105	125-2027-90	DTC143EU	R214	119-1031-15	1/10W 10k ohm
D804	001-2624-90	RB501V-40	Q106	190-1736-00	2SA1736	R215	116-6811-15	1/4W 680 ohm
D805	001-0516-90	MA111	Q107	193-1664-00	2SD1664	R301	116-1211-15	1/4W 120 ohm
D805	001-0517-90	1SS355	Q108	193-1664-00	2SD1664	R302	116-6801-15	1/4W 68 ohm
D806	001-0516-90	MA111	Q109	125-0021-91	DTA114EUA	R303	116-1011-15	1/4W 100 ohm
D806	001-0517-90	1SS355	Q110	125-2027-91	DTC114EUA	R304	116-1011-15	1/4W 100 ohm
D901	001-0529-44	MA8082-M	Q203	103-2394-00	2SD2394	R305	119-1031-15	1/10W 10k ohm
D902	001-0529-47	MA8091-M	Q204	125-2027-91	DTC114EUA	R306	119-3321-15	1/10W 3.3k ohm
D903	001-2403-90	M1F60	Q205	125-0021-91	DTA114EUA	R307	119-4721-15	1/10W 4.7k ohm
D904	001-2403-90	M1F60	Q301	193-1664-00	2SD1664	R308	119-4721-15	1/10W 4.7k ohm
IC201	051-6711-20	TC94A34FG-004	Q403	125-7005-90	PHK04P02T	R311	119-3321-15	1/10W 3.3k ohm (C-A)
IC202	051-3354-90	BA33BC0WFP	Q515	125-2027-91	DTC114EUA	R311	-----	(C-C)
IC203	051-3322-90	BA15BC0WFP	Q516	125-2027-91	DTC114EUA (C-A)	R401	119-3331-15	1/10W 33k ohm
IC204	051-3322-90	BA15BC0WFP	Q516	-----	(C-C)	R402	119-3331-15	1/10W 33k ohm
IC205	051-9318-00	MSM51V17400D-60TS-K (C-A)	Q517	190-1736-00	2SA1736 (C-A)	R403	119-3331-15	1/10W 33k ohm
IC205	051-9318-10	MSM51V18165D-60T3-K (C-C)	Q517	-----	(C-C)	R404	119-3331-15	1/10W 33k ohm
IC301	051-6648-90	HA12240FP-EL	Q521	125-2027-91	DTC114EUA	R405	119-3331-15	1/10W 33k ohm
			Q522	125-0021-91	DTA114EUA	R406	119-3331-15	1/10W 33k ohm

Note) Some parts depend on each model. The model name is specified in the description.

C-A : PH-3119C-A , C-C : PH-3119C-C

REF No.	PART No.	DESCRIPTION	REF No.	PART No.	DESCRIPTION	REF No.	PART No.	DESCRIPTION
R407	119-3331-15	1/10W 33k ohm	R572	-----	(C-C)	R766	119-1041-15	1/10W 100k ohm
R408	119-3331-15	1/10W 33k ohm	R577	116-1521-15	1/4W 1.5k ohm	R769	119-1041-15	1/10W 100k ohm
R412	119-1031-15	1/10W 10k ohm			(C-A)	R772	119-1031-15	1/10W 10k ohm
R413	119-1021-15	1/10W 1k ohm	R577	-----	(C-C)	R775	119-1031-15	1/10W 10k ohm
R415	119-1031-15	1/10W 10k ohm	R578	119-4731-15	1/10W 47k ohm	R776	119-3331-15	1/10W 33k ohm
R416	119-1031-15	1/10W 10k ohm	R579	119-4731-15	1/10W 47k ohm	R777	119-3321-15	1/10W 3.3k ohm
R421	119-1001-15	1/10W 10 ohm	R701	119-3331-15	1/10W 33k ohm	R778	119-3331-15	1/10W 33k ohm
R425	119-3331-15	1/10W 33k ohm	R702	119-1041-15	1/10W 100k ohm	R779	119-3331-15	1/10W 33k ohm
R426	119-3331-15	1/10W 33k ohm	R703	119-3331-15	1/10W 33k ohm	R781	-----	(C-A)
R427	119-3331-15	1/10W 33k ohm	R704	119-1011-15	1/10W 100 ohm	R781	116-1011-15	1/4W 100 ohm
R429	119-3331-15	1/10W 33k ohm	R705	119-1011-15	1/10W 100 ohm			(C-C)
R439	119-1031-15	1/10W 10k ohm	R706	119-1031-15	1/10W 10k ohm	R783	116-3011-15	1/4W 300 ohm
R440	119-1031-15	1/10W 10k ohm	R707	119-1031-15	1/10W 10k ohm	R784	116-1021-15	1/4W 1k ohm
R441	119-1011-15	1/10W 100 ohm	R708	116-3011-15	1/4W 300 ohm	R785	119-3331-15	1/10W 33k ohm
R442	119-1011-15	1/10W 100 ohm	R709	116-3011-15	1/4W 300 ohm	R786	119-1031-15	1/10W 10k ohm
R444	119-1011-15	1/10W 100 ohm	R710	119-1021-15	1/10W 1k ohm	R787	119-1031-15	1/10W 10k ohm
R445	119-1011-15	1/10W 100 ohm	R711	119-1021-15	1/10W 1k ohm	R788	119-4721-15	1/10W 4.7k ohm
R446	119-1011-15	1/10W 100 ohm	R712	119-3331-15	1/10W 33k ohm	R789	119-1021-15	1/10W 1k ohm
R448	119-1031-15	1/10W 10k ohm	R713	119-1021-15	1/10W 1k ohm	R790	119-5641-15	1/10W 560k ohm
R449	119-1031-15	1/10W 10k ohm	R714	119-1021-15	1/10W 1k ohm	R791	119-1021-15	1/10W 1k ohm
R451	119-3321-15	1/10W 3.3k ohm	R715	119-2241-15	1/10W 220k ohm	R792	119-2231-15	1/10W 22k ohm
R454	119-1011-15	1/10W 100 ohm	R716	119-3331-15	1/10W 33k ohm	R793	119-3921-15	1/10W 3.9k ohm
R455	119-1001-15	1/10W 10 ohm	R717	119-1021-15	1/10W 1k ohm	R794	116-8201-15	1/4W 82 ohm
R458	119-1021-15	1/10W 1k ohm	R718	119-0000-05	1/10W 0 ohm JW	R795	119-1021-15	1/10W 1k ohm
R459	119-1021-15	1/10W 1k ohm	R719	119-3331-15	1/10W 33k ohm	R796	119-1031-15	1/10W 10k ohm
R460	119-1021-15	1/10W 1k ohm	R720	119-3331-15	1/10W 33k ohm	R797	116-3011-15	1/4W 300 ohm
R461	119-1021-15	1/10W 1k ohm	R721	119-3331-15	1/10W 33k ohm	R798	119-1021-15	1/10W 1k ohm
R462	119-6821-15	1/10W 6.8k ohm	R722	119-3331-15	1/10W 33k ohm	R799	119-3331-15	1/10W 33k ohm
R463	119-6821-15	1/10W 6.8k ohm	R723	119-1031-15	1/10W 10k ohm	R800	119-3331-15	1/10W 33k ohm
R464	119-6821-15	1/10W 6.8k ohm	R724	119-3331-15	1/10W 33k ohm	R801	119-1031-15	1/10W 10k ohm
R465	119-6821-15	1/10W 6.8k ohm	R725	119-2221-15	1/10W 2.2k ohm	R802	119-3331-15	1/10W 33k ohm
R466	119-6821-15	1/10W 6.8k ohm	R726	119-3331-15	1/10W 33k ohm	R803	119-1031-15	1/10W 10k ohm
R467	119-6821-15	1/10W 6.8k ohm	R727	119-6831-15	1/10W 68k ohm	R804	119-1031-15	1/10W 10k ohm
R470	119-4731-15	1/10W 47k ohm	R728	119-6831-15	1/10W 68k ohm	R805	119-3331-15	1/10W 33k ohm
R471	119-4731-15	1/10W 47k ohm	R729	119-1641-15	1/10W 160k ohm	R806	119-3331-15	1/10W 33k ohm
R476	119-4731-15	1/10W 47k ohm	R730	119-1021-15	1/10W 1k ohm	R808	119-1031-15	1/10W 10k ohm
R477	119-4731-15	1/10W 47k ohm	R731	119-1031-15	1/10W 10k ohm	R811	119-1031-15	1/10W 10k ohm
R480	119-6821-15	1/10W 6.8k ohm	R732	119-2221-15	1/10W 2.2k ohm	R812	-----	(C-A)
R481	119-6821-15	1/10W 6.8k ohm	R733	119-1021-15	1/10W 1k ohm	R812	119-1031-15	1/10W 10k ohm
R482	119-3331-15	1/10W 33k ohm	R734	116-1011-15	1/4W 100 ohm			(C-C)
R483	119-3331-15	1/10W 33k ohm	R735	119-1041-15	1/10W 100k ohm	R901	116-2711-15	1/4W 270 ohm
R484	119-3331-15	1/10W 33k ohm	R736	119-3331-15	1/10W 33k ohm	R902	119-1021-15	1/10W 1k ohm
R485	119-3331-15	1/10W 33k ohm	R737	119-1041-15	1/10W 100k ohm	R903	116-0000-05	1/4W 0 ohm JW
R486	119-3331-15	1/10W 33k ohm	R738	119-3331-15	1/10W 33k ohm	R904	119-1031-15	1/10W 10k ohm
R487	119-3331-15	1/10W 33k ohm	R739	119-3331-15	1/10W 33k ohm	R905	116-4311-15	1/4W 430 ohm
R488	119-3331-15	1/10W 33k ohm	R740	119-1031-15	1/10W 10k ohm	R907	116-1021-15	1/4W 1k ohm
R489	119-3331-15	1/10W 33k ohm	R741	119-1011-15	1/10W 100 ohm	R909	119-0000-05	1/10W 0 ohm JW
R501	117-0000-05	1/8W 0 ohm JW	R742	119-1011-15	1/10W 100 ohm	R910	119-2231-15	1/10W 22k ohm
R513	119-1041-15	1/10W 100k ohm	R743	119-1031-15	1/10W 10k ohm	R911	116-3311-15	1/4W 330 ohm
R514	119-1041-15	1/10W 100k ohm	R744	119-3331-15	1/10W 33k ohm	R912	119-1031-15	1/10W 10k ohm
R515	119-1041-15	1/10W 100k ohm	R746	119-1021-15	1/10W 1k ohm	R913	119-1031-15	1/10W 10k ohm
R516	119-1041-15	1/10W 100k ohm	R747	119-1021-15	1/10W 1k ohm	R914	119-1031-15	1/10W 10k ohm
R517	119-2221-15	1/10W 2.2k ohm	R748	119-1021-15	1/10W 1k ohm	R915	119-4791-15	1/10W 4.7 ohm
R518	119-2221-15	1/10W 2.2k ohm	R749	119-1021-15	1/10W 1k ohm	R916	119-4791-15	1/10W 4.7 ohm
R521	119-1531-15	1/10W 15k ohm	R750	119-4721-15	1/10W 4.7k ohm	R917	116-1221-15	1/4W 1.2k ohm
R522	119-1531-15	1/10W 15k ohm	R751	119-4721-15	1/10W 4.7k ohm	R918	116-1221-15	1/4W 1.2k ohm
R524	119-0000-05	1/10W 0 ohm JW	R752	119-4721-15	1/10W 4.7k ohm	R919	116-1221-15	1/4W 1.2k ohm
R526	119-1031-15	1/10W 10k ohm	R753	119-4721-15	1/10W 4.7k ohm	R920	116-1221-15	1/4W 1.2k ohm
R527	119-0000-05	1/10W 0 ohm JW	R754	119-1041-15	1/10W 100k ohm	R921	119-1031-15	1/10W 10k ohm
R528	119-0000-05	1/10W 0 ohm JW	R755	119-4721-15	1/10W 4.7k ohm	R923	116-1591-15	1/4W 1.5 ohm
R529	119-1531-15	1/10W 15k ohm	R756	-----	(C-A)	R924	116-1591-15	1/4W 1.5 ohm
R534	119-1031-15	1/10W 10k ohm	R756	119-0000-15	1/10W 0 ohm JW	R925	119-1031-15	1/10W 10k ohm
R535	119-1531-15	1/10W 15k ohm			(C-C)	R926	119-2221-15	1/10W 2.2k ohm
R536	119-1031-15	1/10W 10k ohm	R757	119-4731-15	1/10W 47k ohm	R927	119-2221-15	1/10W 2.2k ohm
R538	119-0000-05	1/10W 0 ohm JW	R758	119-4731-15	1/10W 47k ohm	R928	119-1031-15	1/10W 10k ohm
R539	119-1031-15	1/10W 10k ohm	R759	119-4731-15	1/10W 47k ohm	R929	119-1031-15	1/10W 10k ohm
R554	119-3321-15	1/10W 3.3k ohm	R760	119-4731-15	1/10W 47k ohm	R935	116-1591-15	1/4W 1.5 ohm
R556	119-2221-15	1/10W 2.2k ohm	R761	119-3331-15	1/10W 33k ohm	R936	116-1591-15	1/4W 1.5 ohm
R559	119-2221-15	1/10W 2.2k ohm	R762	119-1031-15	1/10W 10k ohm	SUP101	060-0122-91	DSP-141N-S00B
R571	119-4721-15	1/10W 4.7k ohm	R763	119-1031-15	1/10W 10k ohm	T501	009-0670-80	180uH
R572	119-4731-15	1/10W 47k ohm	R764	119-3331-15	1/10W 33k ohm	TC701	004-1583-51	10pF WHT
		(C-A)	R765	119-3321-15	1/10W 3.3k ohm	TH101	002-0318-21	THERMISTOR

Note) Some parts depend on each model. The model name is specified in the description.
C-A : PH-3119C-A , C-C : PH-3119C-C

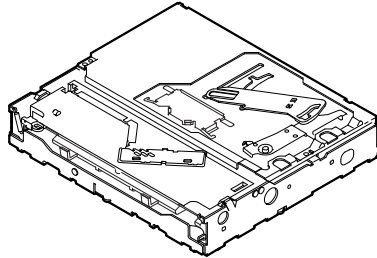
REF No.	PART No.	DESCRIPTION	REF No.	PART No.	DESCRIPTION	REF No.	PART No.	DESCRIPTION
TH501	002-0318-21	THERMISTOR (C-A)	TM501	073-0762-90	TERMINAL	X701	061-3545-90	3.14572MHz
TH501	-----	(C-C)	TM701	073-0762-90	TERMINAL	X702	061-3506-80	32.768MHz
TM101	073-0762-90	TERMINAL	TM901	073-0762-90	TERMINAL	PWB	039-2882-00	PWB(WITHOUT COMPONENTS)
TM102	073-0762-90	TERMINAL	X201	061-3534-90	16.92MHz			
TM201	073-0762-90	TERMINAL	X401	061-3537-90	41.6MHz			

Note) Some parts depend on each model. The model name is specified in the description.
C-A : PH-3119C-A , C-C : PH-3119C-C

Switch PWB section(B2)

REF No.	PART No.	DESCRIPTION	REF No.	PART No.	DESCRIPTION	REF No.	PART No.	DESCRIPTION
C101	168-4732-78	0.047uF K	D215	001-0516-90	MA111	R105	116-2711-15	1/4W 270 ohm
C102	168-4732-78	0.047uF K	D216	001-0516-90	MA111	R106	116-2711-15	1/4W 270 ohm
C103	168-4732-78	0.047uF K	D222	001-0516-90	MA111	R107	116-2711-15	1/4W 270 ohm
C104	166-6811-50	680pF	IC201	051-6037-00	LC75884W	R108	116-2711-15	1/4W 270 ohm
C105	168-4732-78	0.047uF K	IC202	051-6037-00	LC75884W	R109	116-2711-15	1/4W 270 ohm
C106	168-4732-78	0.047uF K	IC203	051-7222-18	TC7S08FUTE85L	R110	116-2711-15	1/4W 270 ohm
C107	168-4732-78	0.047uF K	J201	074-3014-74	24P	R112	119-4721-15	1/10W 4.7k ohm
C108	166-6811-50	680pF	J202	074-1158-62	12P	R113	119-4721-15	1/10W 4.7k ohm
C109	166-2201-50	22pF CH	J203	074-1158-64	14P	R114	119-4721-15	1/10W 4.7k ohm
C110	166-2201-50	22pF CH	J204	074-1158-64	14P	R116	032-0140-89	1/10W 47k ohm F
C111	043-0554-90	25V 10uF	J205	074-1158-62	12P	R121	119-4721-15	1/10W 4.7k ohm
C121	166-2201-50	22pF CH	LCD101	379-1425-43	INDICATOR(LCD)	R122	119-4721-15	1/10W 4.7k ohm
C122	166-2201-50	22pF CH	PL101	017-0505-50	PL 8V 70mA (BLUE) (C-A)	R123	119-4721-15	1/10W 4.7k ohm
D101	001-7100-90	NESB017-EE2- KLP7*17.5	PL101	017-0464-50	PL 8V 70mA (BLUE) (C-C)	R201	119-1021-15	1/10W 1k ohm (C-A)
D102	001-7100-90	NESB017-EE2- KLP7*17.5	PL102	017-0505-50	PL 8V 70mA (BLUE) (C-A)	R201	119-1521-15	1/10W 1.5k ohm (C-C)
D103	001-7100-90	NESB017-EE2- KLP7*17.5	PL102	017-0464-50	PL 8V 70mA (BLUE) (C-C)	R202	119-1021-15	1/10W 1k ohm (C-A)
D104	001-7100-90	NESB017-EE2- KLP7*17.5	PL103	017-0505-50	PL 8V 70mA (BLUE) (C-A)	R202	119-2221-15	1/10W 2.2k ohm (C-C)
D105	001-7100-90	NESB017-EE2- KLP7*17.5	PL103	017-0464-50	PL 8V 70mA (BLUE) (C-C)	R203	119-1021-15	1/10W 1k ohm
D106	001-7100-90	NESB017-EE2- KLP7*17.5	PL104	017-0505-50	PL 8V 70mA (BLUE) (C-A)	R204	119-2221-15	1/10W 2.2k ohm
D107	001-7100-90	NESB017-EE2- KLP7*17.5	PL104	017-0464-50	PL 8V 70mA (BLUE) (C-C)	R207	119-4721-15	1/10W 4.7k ohm
D108	001-7100-90	NESB017-EE2- KLP7*17.5	PL105	017-0505-50	PL 8V 70mA (BLUE) (C-A)	R208	119-0000-05	1/10W 0 ohm JW
D109	001-7100-90	NESB017-EE2- KLP7*17.5	PL105	017-0464-50	PL 8V 70mA (BLUE) (C-C)	S101	013-6206-50	SKPMANE010
D110	001-7100-90	NESB017-EE2- KLP7*17.5	PL106	017-0505-50	PL 8V 70mA (BLUE) (C-A)	S102	013-6201-52	SKPMAP010
D111	001-7100-90	NESB017-EE2- KLP7*17.5	PL106	017-0464-50	PL 8V 70mA (BLUE) (C-C)	S103	013-6201-52	SKPMAP010
D112	001-7100-90	NESB017-EE2- KLP7*17.5	PL107	017-0505-50	PL 8V 70mA (BLUE) (C-A)	S104	013-6201-52	SKPMAP010
D118	001-7063-95	RBR1102W D,E	PL107	017-0464-50	PL 8V 70mA (BLUE) (C-C)	S105	013-6201-52	SKPMAP010
D119	001-7091-90	VYBG1102W B6-9 (GREEN) (C-A)	PL108	017-0505-50	PL 8V 70mA (BLUE) (C-A)	S106	013-6206-50	SKPMANE010
D119	001-7071-95	FRMG1211C-TR (C-C)	PL108	017-0464-50	PL 8V 70mA (BLUE) (C-C)	S107	013-6206-50	SKPMANE010
D201	001-0529-36	MA8062-H	PL109	017-0505-50	PL 8V 70mA (BLUE) (C-A)	S108	013-6206-50	SKPMANE010
D202	001-0516-90	MA111	PL109	017-0464-50	PL 8V 70mA (BLUE) (C-C)	S109	013-6201-52	SKPMAP010
D203	001-0516-90	MA111	PL110	017-0505-50	PL 8V 70mA (BLUE) (C-A)	S110	013-6207-50	SKPMAQE010
D204	001-0516-90	MA111	PL110	017-0464-50	PL 8V 70mA (BLUE) (C-C)	S111	013-6201-52	SKPMAP010
D205	001-0516-90	MA111	PL111	017-0504-00	PL 8V 70mA	S112	013-6201-52	SKPMAP010
D206	001-0516-90	MA111	PL112	017-0504-00	PL 8V 70mA	S113	013-6201-52	SKPMAP010
D207	001-0516-90	MA111	Q201	125-2027-91	DTC114EUA	S114	013-6201-52	SKPMAP010
D208	001-0516-90	MA111	Q202	125-2027-91	DTC114EUA	S115	013-6201-52	SKPMAP010
D209	001-0516-90	MA111	R104	032-0140-89	1/10W 47k ohm F	S116	013-6207-50	SKPMAQE010
D210	001-0516-90	MA111				S117	013-6201-52	SKPMAP010
D211	001-0516-90	MA111				S118	016-7003-00	ROTARY-SW EC40 A15204
D212	001-0516-90	MA111				S119	016-7003-00	ROTARY-SW EC40 A15204
D213	001-0516-90	MA111				TM101	073-0786-90	TERMINAL
D214	001-0516-90	MA111				TM102	073-0786-90	TERMINAL
						PWB	039-3283-00	PWB(WITHOUT COMPONENTS) (C-A)
						PWB	039-2861-00	PWB(WITHOUT COMPONENTS) (C-C)

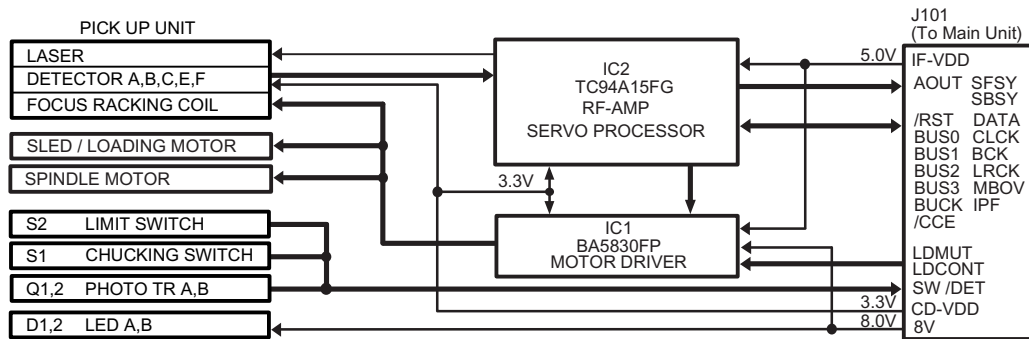
Service Manual



CD mechanism

Model **929-5019-81**

BLOCK DIAGRAM



ELECTRICAL PARTS LIST

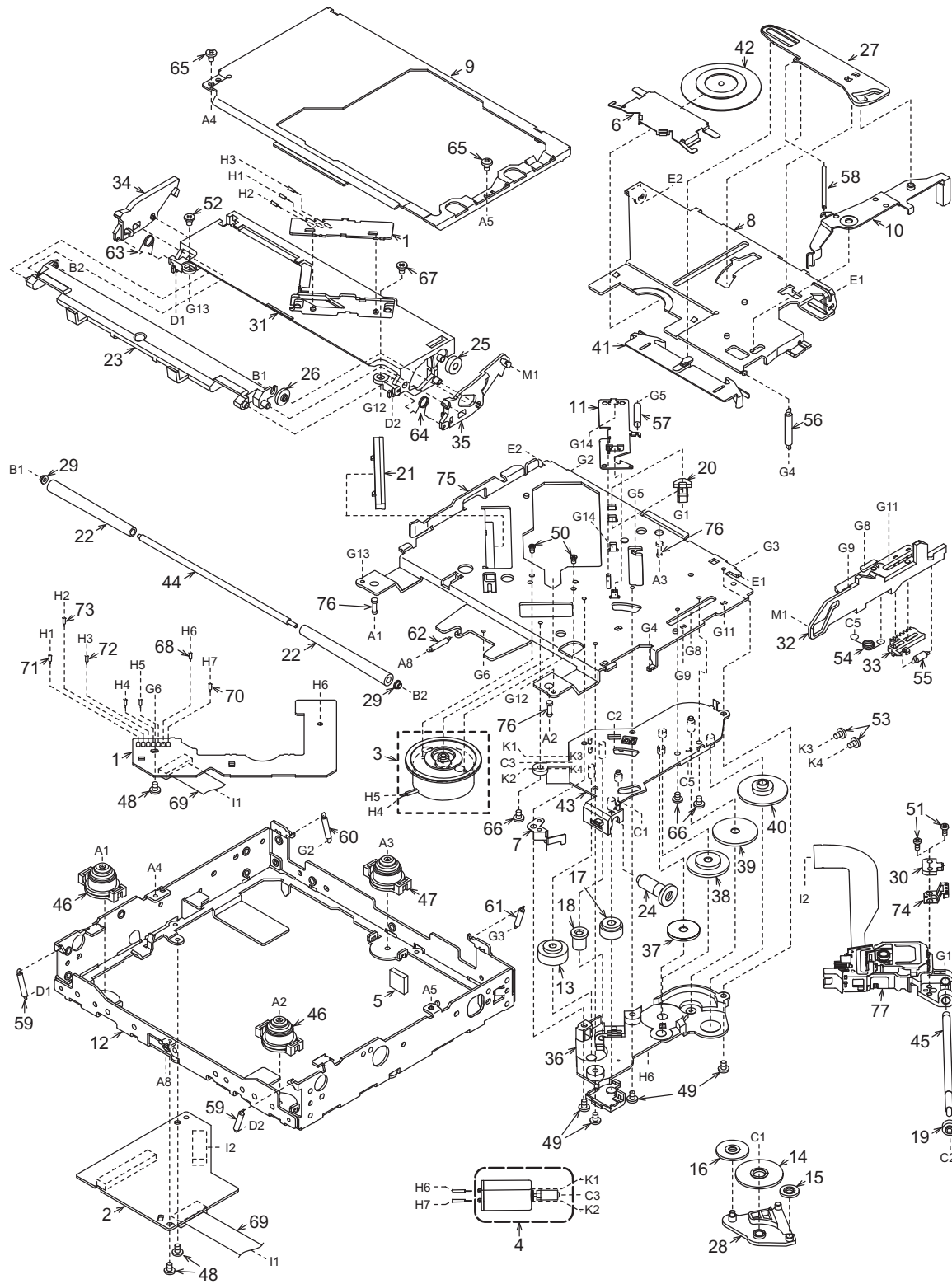
CD PWB(BM1) section

REF No.	PART No.	DESCRIPTION	REF No.	PART No.	DESCRIPTION	REF No.	PART No.	DESCRIPTION
C1	168-1042-78	16V 0.1uF	C27	046-3332-78	0.033uF	R2	117-1001-15	1/8W 10 ohm
C2	163-1073-35	16V 100uF	C29	046-6822-58	6800pF	R3	033-2211-15	1/10W 220 ohm
C4	178-1052-78	1uF	C30	168-1042-78	16V 0.1uF	R5	033-0000-05	1/10W 0 ohm
C5	042-0560-85	6.3V 100uF	C31	046-4712-58	470pF	R6	033-5621-15	1/10W 5.6k ohm
C6	178-1052-78	1uF	C32	046-4712-58	470pF	R7	033-4731-15	1/10W 47k ohm
C8	178-1052-78	1uF	C33	168-1042-78	16V 0.1uF	R8	033-3341-15	1/10W 330k ohm
C10	168-1042-78	16V 0.1uF	C34	168-4732-78	16V 0.047uF	R9	033-2231-15	1/10W 22k ohm
C11	168-1042-78	16V 0.1uF	C35	168-4732-78	16V 0.047uF	R10	033-2231-15	1/10W 22k ohm
C12	045-4701-50	47pF	C36	045-1007-50	10pF	R11	033-2731-15	1/10W 27k ohm
C13	046-1532-78	0.015uF	C37	045-1007-50	10pF	R12	033-4731-15	1/10W 47k ohm
C14	168-1042-78	16V 0.1uF	C38	168-1042-78	16V 0.1uF	R13	033-2731-15	1/10W 27k ohm
C15	046-1032-78	0.01uF	C39	046-5622-58	5600pF	R14	033-1531-15	1/10W 15k ohm
C17	046-4722-58	4700pF	C40	168-1042-78	16V 0.1uF	R15	033-2731-15	1/10W 27k ohm
C18	046-1522-58	1500pF	CCCT1	050-0140-63	1/32W 47k ohm x4J	R16	033-8231-15	1/10W 82k ohm
C19	168-1042-78	16V 0.1uF	D1	001-0367-91	1SS226	R17	033-2731-15	1/10W 27k ohm
C20	168-1042-78	16V 0.1uF	IC1	051-6079-90	BA5830FPG	R18	033-8231-15	1/10W 82k ohm
C21	046-6812-58	680pF	IC2	051-6399-00	TC94A15F	R19	033-1051-15	1/10W 1M ohm
C22	168-1042-78	16V 0.1uF	J101	074-1228-79	29P	R20	119-2221-15	1/10W 2.2k ohm
C23	046-1532-78	0.015uF	J201	074-1138-65	15P	X2	061-3534-90	16.92MHz
C24	168-1042-78	16V 0.1uF	J301	074-1138-60	10P	PWB	039-2741-20	PWB(WITHOUT COMPONENT)
C25	045-6801-50	68pF	Q1	131-1188-50	2SB1188PQR			
C26	168-1042-78	16V 0.1uF	R1	117-6811-15	1/8W 680 ohm			

Sensor PWB(BM2) section

REF No.	PART No.	DESCRIPTION	REF No.	PART No.	DESCRIPTION	REF No.	PART No.	DESCRIPTION
D1	001-7058-90	AN1105W-RR	Q1	060-4015-91	PS1192HB	S2	013-7413-50	LIMIT
D2	001-7058-90	AN1105W-RR	Q2	060-4015-91	PS1192HB	PWB	039-2675-20	PWB(WITHOUT COMPONENT)
J1	074-1138-60	10P	S1	013-7414-50	CHUCKING			

EXPLODED VIEW / PARTS LIST



NO.	PART NO.	DESCRIPTION	Q'TY	NO.	PART NO.	DESCRIPTION	Q'TY
1	-----	SENSOR PWB	1	40	621-1751-20	POWER GEAR D	1
2	-----	CD PWB	1	41	621-1752-20	DISC STOPPER	1
3	SMA-199-100	SPINDLE MOTOR-ASSY	1	42	621-1753-20	CLAMPER RING	1
4	SMA-183-100	SLED MOTOR-ASSY	1	43	621-1754-20	GEAR BASE	1
5	345-5476-20	CUSHION RUBBER	1	44	622-1571-21	ROLLER SHAFT	1
6	620-1023-23	CLAMPER PLATE	1	45	624-0018-01	LEAD SCREW	1
7	620-1026-21	SPRING PLATE	1	46	629-0086-20	DAMPER F	2
8	620-1596-23	CLAMPER LINK	1	47	629-0087-20	DAMPER R	1
9	620-1862-20	UPPER CHASSIS	1	48	716-1507-01	SCREW(M2x3)	3
10	620-1752-20	SENSOR ARM	1	49	716-1670-01	SCREW(M2x4)	4
11	620-1753-20	ID-LOCK PLATE	1	50	716-1733-01	SCREW(M1.7x2.3)	2
12	620-1868-20	LOWER CHASSIS	1	51	716-3469-01	SCREW(1.7x4)	2
13	621-0608-21	SECOND GEAR	1	52	716-3473-01	SCREW(M2x3)	1
14	621-0609-20	BASE GEAR	1	53	716-3551-00	SCREW(M1.4x2.5)	2
15	621-0610-20	IDLE GEAR A	1	54	750-7865-20	SHIFT SPRING	1
16	621-0611-20	IDLE GEAR B	1	55	750-7866-20	RACK SPRING	1
17	621-0612-21	ROLLER GEAR A	1	56	750-7867-20	CLAMPER SPRING	1
18	621-0620-20	THREAD GEAR A	1	57	750-7868-20	ID-LOCK SPRING	1
19	621-0621-20	THREAD GEAR B	1	58	750-7869-20	SENSOR SPRING	1
20	621-0623-23	LS-HOLDER	1	59	750-7870-20	DR-SPRING F	2
21	621-0624-22	GUIDE RAIL	1	60	750-7871-20	DR-SPRING RA	1
22	621-0711-21	LOADING ROLLER	2	61	750-7872-20	DR-SPRING RB	1
23	621-0718-21	ROLLER GUIDE	1	62	750-7873-20	DR-SPRING C	1
24	621-0719-20	ROLLER GEAR B	1	63	750-6797-20	ROLLER SPRING L	1
25	621-0720-20	ROLLER GEAR C	1	64	750-6798-20	ROLLER SPRING R	1
26	621-0721-20	ROLLER GEAR D	1	65	714-2003-8B	SCREW(M2x3)	2
27	621-0728-20	STOPPER LINK	1	66	780-2025-00	SCREW(M2x2.5)	3
28	621-1719-20	IDLE CASE	1	67	781-1730-00	SCREW(M1.7x3)	1
29	621-1726-20	ROLLER SLEEVE	2	68	803-4906-60	VINYL-COAT-WIRE(ORG)	1
30	621-1729-20	SH-BASE	1	69	816-2542-01	FLAT WIRE	1
31	621-1742-20	UPPER GUIDE	1	70	816-2590-00	VINYL-COAT-WIRE(GRN)	1
32	621-1743-20	SHIFT LEVER	1	71	816-2591-00	VINYL-COAT-WIRE(YEL)	1
33	621-1744-20	RACK	1	72	816-2592-00	VINYL-COAT-WIRE(BLUE)	1
34	621-1745-20	LOCK ARM L	1	73	816-2593-00	VINYL-COAT-WIRE(PUR)	1
35	621-1746-20	LOCK ARM R	1	74	966-1722-20	SH-RACK-ASSY	1
36	621-1747-20	GEAR COVER	1	75	620-1866-20	DRIVE-PLTATE	1
37	621-1748-20	POWER GEAR A	1	76	622-1570-21	DAMPER PIN	3
38	621-1749-20	POWER GEAR B	1	77	969-0071-30	PICKUP-ASSY	1
39	621-1750-20	POWER GEAR C	1				