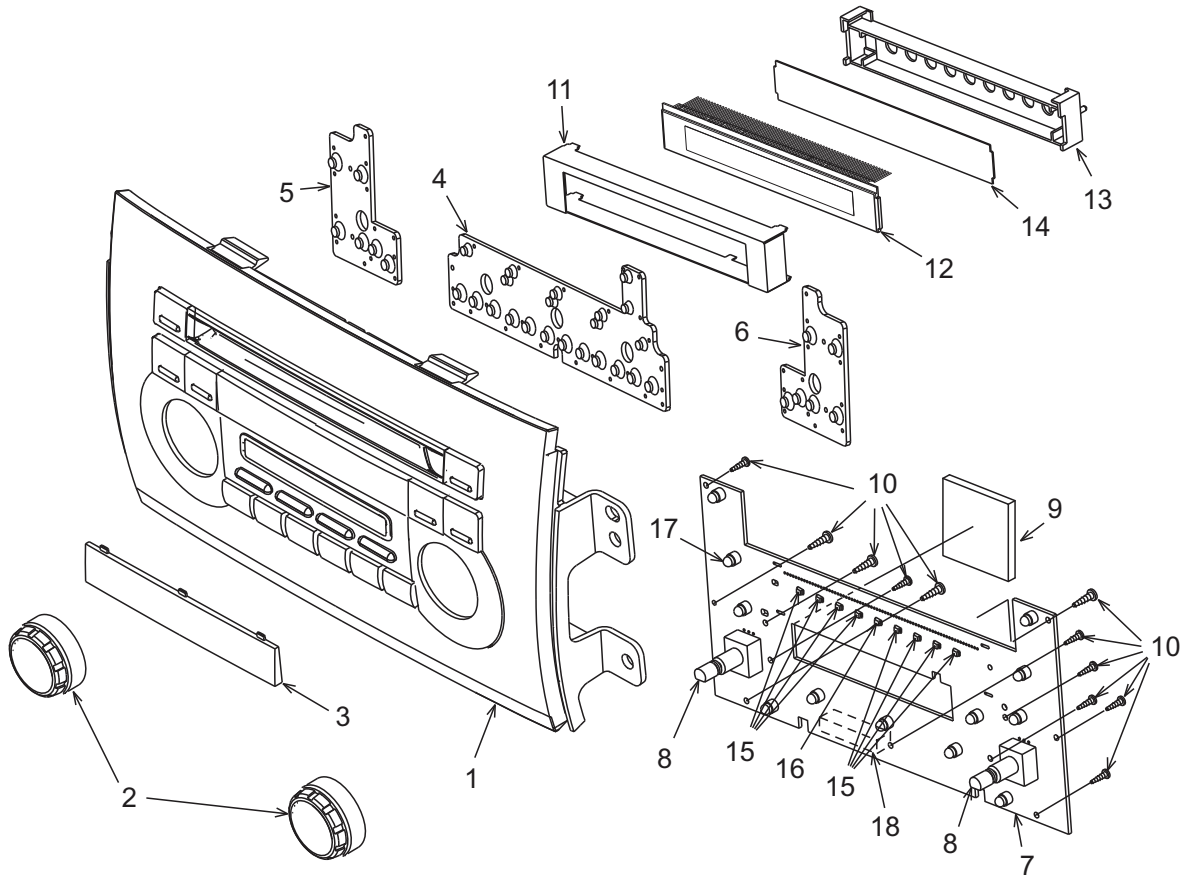


EXPLODED VIEW/PARTS LIST

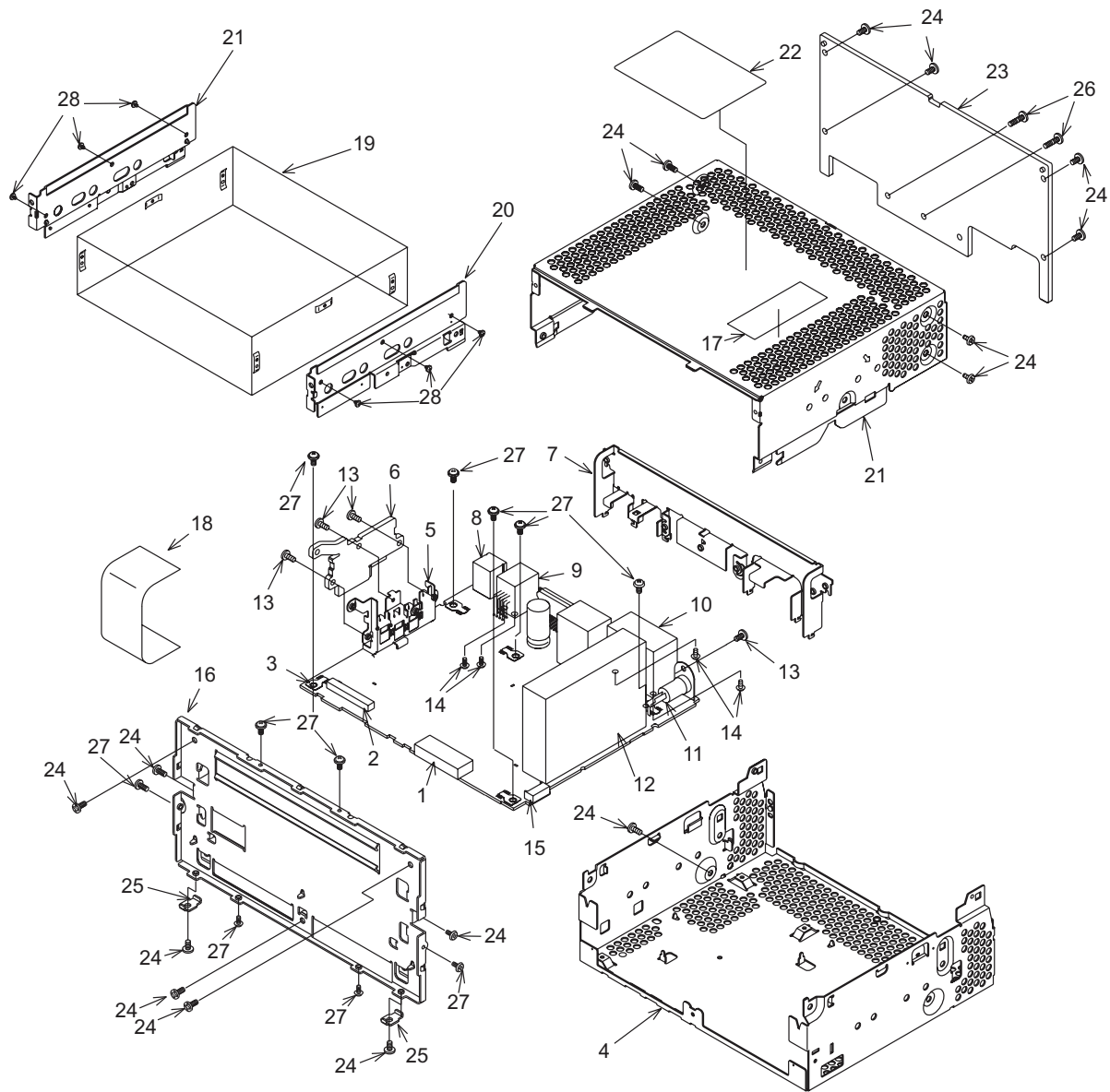
Escutcheon section



Clamping torque value of a screw is 0.2 +0.04/-0.04 Newton meter.

NO.	PART NO.	DESCRIPTION	Q'TY	NO.	PART NO.	DESCRIPTION	Q'TY
1	940-8120-11	ESCUTCHEON ASSY	1	10	716-0778-51	P-TITE SCREW (2x6)	11
2	947-0602-00	KNOB ASSY	2	11	331-4264-00	LCD COVER	1
3	371-5854-10	DIAL COVER	1	12	379-1362-51	INDICATOR (LCD)	1
4	345-5589-00	RUBBER SW (CENTER)	1	13	335-7705-00	LCD HOLDER	1
5	345-5590-00	RUBBER SW (LEFT)	1	14	335-7929-00	COLOR FILTER	1
6	345-5591-00	RUBBER SW (RIGHT)	1	15	001-7048-91	DIODE RED	8
7	-----	Switch PWB	1	16	001-7087-90	DIODE RED	1
8	016-0014-12	VR W/SHAFT	2	17	017-0420-43	PL LAMP (14V 40mA RED)	12
9	345-6006-00	PROTECTOR	2	18	074-3013-74	OUTLETSOCKET	1

Main section



Clamping torque value of a screw is 0.4 +0.08/-0.08 Newton meter.

NO.	PART NO.	DESCRIPTION	Q'TY
1	076-0662-74	PLUG(26P)	1
2	074-1237-69	OUTLET SOCKET	1
3	073-0762-90	TERMINAL	5
4	311-1919-02	LOWER CASE	1
5	331-4126-00	TR HOLDER	1
6	313-1966-00	SUB HEAT SINK	1
7	331-4127-00	REAR PLATE	1
8	074-1194-00	OUTLET SOCKET	1
9	074-1302-08	OUTLET SOCKET	1
10	074-4007-20	OUTLET SOCKET	1
11	092-0702-00	ANT-RECEPT	1
12	941-0221-70	TUNER PACK	2
13	714-2606-8B	MACHINE SCREW(M2.6x6)	4
14	778-3006-00	TAP-SCREW(3x6)	4
15	076-0717-09	PLUG	1

NO.	PART NO.	DESCRIPTION	Q'TY
16	309-0819-10	ES PLATE	1
17	285-1960-00	GUIDE LABEL	1
18	816-4024-50	FLAT WIRE	1
19	929-0371-85	CD-MECH-MODULE	1
20	331-4091-10	CD BRKT(L)	1
21	331-4092-10	CD BRKT(R)	1
22	310-1826-00	UPPER CASE	1
23	286-6224-25	SETPLATE	1
24	313-1962-00	HEAT SINK	1
25	714-2606-8B	MACHINE SCREW(M2.6x6)	16
26	331-4193-20	SU-PLATE	2
27	714-2610-89	MACHINE SCREW(M2.6x10)	2
28	716-0878-50	IT SCREW(M2.6x5)	11
29	716-3552-00	IT SCREW(M2.3x2.5)	6

ELECTRICAL PARTS LIST

Switch PWB section (B1)

REF No.	PART No.	DESCRIPTION	REF No.	PART No.	DESCRIPTION	REF No.	PART No.	DESCRIPTION
C100	168-1042-78	16V 0.1uF	D115	001-0516-90	MA111	R110	119-4711-15	1/10W 470 ohm
C101	168-1042-78	16V 0.1uF	D116	001-0516-90	MA111	R111	119-4711-15	1/10W 470 ohm
C102	168-1042-78	16V 0.1uF	IC100	051-6084-00	NJU6625FG1-03	R112	119-8211-15	1/10W 820 ohm
C103	168-1042-78	16V 0.1uF	J100	074-3013-74	24P	R113	119-8211-15	1/10W 820 ohm
C104	168-1042-78	16V 0.1uF	L100	010-3406-66	22uH J	R114	119-7511-15	1/10W 750 ohm
C105	178-1052-78	1uF	PL100	017-0420-43	14V 40mA RED	R116	119-0000-05	1/10W 0 ohm JW
D100	001-7048-91	RFR1112H-22 C,D RED	PL101	017-0420-43	14V 40mA RED	R117	119-0000-05	1/10W 0 ohm JW
D101	001-7048-91	RFR1112H-22 C,D RED	PL102	017-0420-43	14V 40mA RED	R121	119-4341-15	1/10W 430k ohm
D102	001-7048-91	RFR1112H-22 C,D RED	PL104	017-0420-43	14V 40mA RED	R122	119-0000-05	1/10W 0 ohm JW
D103	001-7048-91	RFR1112H-22 C,D RED	PL105	017-0420-43	14V 40mA RED	R123	119-0000-05	1/10W 0 ohm JW
D104	001-7087-90	RBR1112H C,D,E RED	PL106	017-0420-43	14V 40mA RED	R125	119-0000-05	1/10W 0 ohm JW
D105	001-7048-91	RFR1112H-22 C,D RED	PL107	017-0420-43	14V 40mA RED	R126	119-0000-05	1/10W 0 ohm JW
D106	001-7048-91	RFR1112H-22 C,D RED	PL108	017-0420-43	14V 40mA RED	R128	119-1021-15	1/10W 1k ohm
D107	001-7048-91	RFR1112H-22 C,D RED	PL109	017-0420-43	14V 40mA RED	R129	119-1021-15	1/10W 1k ohm
D108	001-7048-91	RFR1112H-22 C,D RED	PL110	017-0420-43	14V 40mA RED	R131	119-0000-05	1/10W 0 ohm JW
D113	001-0516-90	MA111	PL111	017-0420-43	14V 40mA RED	R132	119-0000-05	1/10W 0 ohm JW
D114	001-0516-90	MA111	R100	119-5611-15	1/10W 560 ohm	R200	119-1841-15	1/10W 180k ohm
			R101	119-4711-15	1/10W 470 ohm	R201	119-1841-15	1/10W 180k ohm
			R102	119-4711-15	1/10W 470 ohm	R202	119-1841-15	1/10W 180k ohm
			R103	119-5611-15	1/10W 560 ohm	R203	119-1841-15	1/10W 180k ohm
			R104	119-4711-15	1/10W 470 ohm	TH100	002-0306-90	SC20-3J153
			R105	119-4711-15	1/10W 470 ohm	TM100	073-0778-90	TERMINAL
			R106	119-5611-15	1/10W 560 ohm	VR100	016-0014-12	VR W/SHAFT
			R107	119-4711-15	1/10W 470 ohm	VR101	016-0014-12	VR W/SHAFT
			R108	119-4711-15	1/10W 470 ohm	PWB	039-2920-00	PWB(WITHOUT COMPONENT)
			R109	119-5611-15	1/10W 560 ohm			

Main PWB section (B2)

REF No.	PART No.	DESCRIPTION	REF No.	PART No.	DESCRIPTION	REF No.	PART No.	DESCRIPTION
ANT101	092-0702-00	ANT-RECEPT	C306	178-1052-78	1uF	C395	168-1032-55	0.01uF K
BL101	941-0221-70	TUNER PACK	C309	168-2232-55	0.022uF K	C396	163-1053-65	50V 1uF
C103	168-2232-55	0.022uF K	C310	168-2232-55	0.022uF K	C397	042-1624-00	4700 16V
C104	188-1073-28	10V 100uF	C311	188-2253-68	50V 2.2uF	C398	163-1063-35	16V 10uF
C105	168-1042-78	16V 0.1uF	C312	188-2253-68	50V 2.2uF	C399	163-1053-65	50V 1uF
C106	168-1042-78	16V 0.1uF	C313	188-2253-68	50V 2.2uF	C501	168-1042-78	16V 0.1uF
C107	188-1073-28	10V 100uF	C314	188-2253-68	50V 2.2uF	C502	188-4763-18	6.3V 47uF
C108	168-1042-78	16V 0.1uF	C318	168-1522-55	1500pF K	C503	168-1032-55	0.01uF K
C109	168-2232-55	0.022uF K	C319	168-1522-55	1500pF K	C504	168-1032-55	0.01uF K
C111	168-2232-55	0.022uF K	C322	188-1063-38	16V 10uF	C505	168-1032-55	0.01uF K
C112	168-4745-79	0.47uF Z	C323	188-1063-38	16V 10uF	C506	168-1042-78	16V 0.1uF
C113	168-5632-78	16V 0.056uF	C324	188-1073-28	10V 100uF	C507	188-1053-68	50V 1uF
C114	168-5632-78	16V 0.056uF	C325	168-1042-78	16V 0.1uF	C509	168-1022-55	1000pF K
C121	166-1501-50	15pF CH	C326	188-1053-68	50V 1uF	C510	168-1022-55	1000pF K
C122	188-4763-38	16V 47uF	C327	188-1053-68	50V 1uF	C511	168-1042-78	16V 0.1uF
C123	168-1022-55	1000pF K	C328	188-2253-68	50V 2.2uF	C512	168-1032-55	0.01uF K
C124	042-1458-90	50V 1uF LN	C329	188-2253-68	50V 2.2uF	C513	189-1073-29	10V 100uF
C125	166-1501-50	15pF CH	C330	168-2222-55	2200pF K	C514	168-1042-78	16V 0.1uF
C126	166-1011-50	100pF CH	C331	168-2222-55	2200pF K	C515	166-1011-50	100pF CH
C127	166-1011-50	100pF CH	C332	178-3342-78	0.33uF	C516	188-1063-38	16V 10uF
C128	166-1011-50	100pF CH	C333	178-3342-78	0.33uF	C517	042-0559-00	0.1F 5.5V
C129	166-1011-50	100pF CH	C334	166-4711-50	470pF CH	C722	168-1042-78	16V 0.1uF
C130	168-2232-55	0.022uF K	C335	166-4711-50	470pF CH	C731	172-1041-15	0.1uF
C131	188-4763-38	16V 47uF	C346	188-1073-28	10V 100uF	C732	188-1053-68	50V 1uF
C132	166-1811-50	180pF CH	C352	168-1042-78	16V 0.1uF	C741	043-0328-90	0.1uF
C133	168-1042-78	16V 0.1uF	C353	042-1562-15	10V 220uF	C744	188-1073-28	10V 100uF
C160	168-1042-78	16V 0.1uF	C354	166-2201-50	22pF CH	C761	188-1063-38	16V 10uF
C212	188-4763-38	16V 47uF	C355	166-2201-50	22pF CH	C762	188-1063-38	16V 10uF
C222	168-1042-78	16V 0.1uF	C356	166-1007-50	10pF CH	C771	188-1073-28	10V 100uF
C241	168-2232-55	0.022uF K	C357	166-1007-50	10pF CH	C772	188-1063-38	16V 10uF
C243	188-4763-38	16V 47uF	C358	188-1063-38	16V 10uF	C791	188-4756-58	35V 4.7uF
C244	168-1042-78	16V 0.1uF	C359	188-1063-38	16V 10uF	C792	168-1042-78	16V 0.1uF
C245	168-1042-78	16V 0.1uF	C360	188-1063-38	16V 10uF	C811	172-1041-15	0.1uF
C274	189-2273-29	10V 220uF	C361	188-1063-38	16V 10uF	C821	188-1063-38	16V 10uF
C276	043-0328-90	0.1uF	C391	168-1042-78	16V 0.1uF	CCT501	050-0140-54	1/32W 1k ohm x4J
C301	178-1052-78	1uF	C392	168-1042-78	16V 0.1uF	CCT504	050-0140-54	1/32W 1k ohm x4J
C302	178-1052-78	1uF	C393	168-1042-78	16V 0.1uF	CCT505	050-0140-54	1/32W 1k ohm x4J
C305	178-1052-78	1uF	C394	168-1042-78	16V 0.1uF	D391	001-0516-90	MA111

REF No.	PART No.	DESCRIPTION	REF No.	PART No.	DESCRIPTION	REF No.	PART No.	DESCRIPTION
D505	001-0516-90	MA111	R101	119-0000-05	1/10W 0 ohm JW	R503	119-4721-15	1/10W 4.7k ohm
D506	001-2403-90	M1F60	R102	119-0000-05	1/10W 0 ohm JW	R504	119-4721-15	1/10W 4.7k ohm
D507	001-4301-25	HZU4.7B1	R103	119-1041-15	1/10W 100k ohm	R510	119-4721-15	1/10W 4.7k ohm
D508	001-0466-90	S5688B	R104	119-2221-15	1/10W 2.2k ohm	R511	119-4721-15	1/10W 4.7k ohm
D509	001-0504-36	S5689B	R105	119-3911-15	1/10W 390 ohm	R512	119-4721-15	1/10W 4.7k ohm
D701	001-0424-31	MA4180	R106	119-2221-15	1/10W 2.2k ohm	R513	119-4721-15	1/10W 4.7k ohm
D702	001-0424-31	MA4180	R107	116-1001-15	1/4W 10 ohm	R514	119-1021-15	1/10W 1k ohm
D703	001-0424-31	MA4180	R108	119-2231-15	1/10W 22k ohm	R515	119-1041-15	1/10W 100k ohm
D711	001-0466-90	S5688B	R109	119-5121-15	1/10W 5.1k ohm	R516	119-1041-15	1/10W 100k ohm
D712	001-0466-90	S5688B	R111	166-8201-50	82pF CH	R517	116-1001-15	1/4W 10 ohm
D731	001-0466-90	S5688B	R121	119-0000-05	1/10W 0 ohm JW	R520	119-4731-15	1/10W 47k ohm
D761	001-0504-39	HZS7B2L	R122	119-3321-15	1/10W 3.3k ohm	R521	119-4731-15	1/10W 47k ohm
D771	001-0347-43	MA40482LTA	R123	119-4721-15	1/10W 4.7k ohm	R522	119-4731-15	1/10W 47k ohm
D772	001-0347-25	MA4047LTA	R124	119-2221-15	1/10W 2.2k ohm	R527	119-4721-15	1/10W 4.7k ohm
D801	001-0592-00	RM4Z	R125	119-1021-15	1/10W 1k ohm	R528	032-0140-66	1/10W 220 ohm F
D851	001-4301-68	HZU18B1	R127	119-5631-15	1/10W 56k ohm	R529	119-1031-15	1/10W 10k ohm
IC121	051-6201-90	LC72146M	R128	119-4731-15	1/10W 47k ohm	R530	119-1041-15	1/10W 100k ohm
IC241	051-3367-90	NJU7780U1-33-TE2	R130	119-2221-15	1/10W 2.2k ohm	R531	119-1031-15	1/10W 10k ohm
IC272	051-3334-00	NJM2396F0	R131	119-1031-15	1/10W 10k ohm	R532	119-4721-15	1/10W 4.7k ohm
IC301	051-5042-91	CL7639V11	R132	119-1031-15	1/10W 10k ohm	R533	119-4721-15	1/10W 4.7k ohm
IC351	051-3034-90	NJM4558V	R133	119-2221-15	1/10W 2.2k ohm	R534	119-1021-15	1/10W 1k ohm
IC391	051-2040-00	TA8276H	R134	119-2221-15	1/10W 2.2k ohm	R535	119-1031-15	1/10W 10k ohm
IC501	052-3196-21	M30622MGP-E22GP	R135	119-1031-15	1/10W 10k ohm	R536	119-2221-15	1/10W 2.2k ohm
IC502	051-0869-58	NJM2103M	R242	119-4731-15	1/10W 47k ohm	R537	119-1031-15	1/10W 10k ohm
IC503	051-9400-29	BR93L46F-W	R243	119-1021-15	1/10W 1k ohm	R538	119-1031-15	1/10W 10k ohm
IC504	051-6600-58	HA12187FP	R245	119-3331-15	1/10W 33k ohm	R539	119-1031-15	1/10W 10k ohm
IC741	051-3369-00	NJM2388F8	R246	119-4731-15	1/10W 47k ohm	R540	119-4731-15	1/10W 47k ohm
J241	074-1237-69	19PIN	R248	119-1041-15	1/10W 100k ohm	R541	119-5621-15	1/10W 5.6k ohm
J701	074-1194-00	13PIN	R250	119-3331-15	1/10W 33k ohm	R542	119-2231-15	1/10W 22k ohm
J721	074-1302-08	8PIN	R253	119-4731-15	1/10W 47k ohm	R544	119-4731-15	1/10W 47k ohm
J801	074-4007-20	20PIN	R255	119-3331-15	1/10W 33k ohm	R545	119-6831-15	1/10W 68k ohm
L101	010-2003-04	30uH	R256	119-0000-05	1/10W 0 ohm JW	R546	119-1021-15	1/10W 1k ohm
L102	010-6009-76	22uH J	R258	119-4731-15	1/10W 47k ohm	R547	119-1021-15	1/10W 1k ohm
L103	010-6009-76	22uH J	R271	119-4731-15	1/10W 47k ohm	R548	119-1031-15	1/10W 10k ohm
L121	010-6009-76	22uH J	R273	119-0000-05	1/10W 0 ohm JW	R549	119-3341-15	1/10W 330k ohm
L501	010-6009-76	22uH J	R301	119-1021-15	1/10W 1k ohm	R550	032-0140-22	1/10W 68k ohm F
L502	010-6009-76	22uH J	R302	119-1021-15	1/10W 1k ohm	R551	032-0140-00	1/10W 56k ohm F
L801	010-8026-00	210uH	R305	119-1021-15	1/10W 1k ohm	R552	117-6821-15	1/8W 6.8k ohm
P501	076-0662-74	24P	R306	119-1021-15	1/10W 1k ohm	R553	119-4731-15	1/10W 47k ohm
P503	076-0717-09	9P	R309	119-1021-15	1/10W 1k ohm	R554	119-4731-15	1/10W 47k ohm
Q121	190-1298-00	2SA1298	R310	119-1021-15	1/10W 1k ohm	R555	119-5621-15	1/10W 5.6k ohm
Q122	190-1298-00	2SA1298	R311	119-5631-15	1/10W 56k ohm	R556	119-1021-15	1/10W 1k ohm
Q123	190-1298-00	2SA1298	R312	119-5631-15	1/10W 56k ohm	R557	119-2231-15	1/10W 22k ohm
Q241	125-0021-91	DTA114EUA	R313	119-5631-15	1/10W 56k ohm	R558	119-2231-15	1/10W 22k ohm
Q242	125-2027-91	DTC114EUA	R314	119-5631-15	1/10W 56k ohm	R559	119-1021-15	1/10W 1k ohm
Q243	193-0601-00	2SD601A	R319	119-1031-15	1/10W 10k ohm	R560	119-1021-15	1/10W 1k ohm
Q244	192-4116-00	2SC4116	R320	119-1221-15	1/10W 1.2k ohm	R561	119-1021-15	1/10W 1k ohm
Q245	125-2027-91	DTC114EUA	R321	119-1031-15	1/10W 10k ohm	R562	119-1021-15	1/10W 1k ohm
Q246	125-0021-91	DTA114EUA	R322	119-1221-15	1/10W 1.2k ohm	R563	119-0000-05	1/10W 0 ohm JW
Q247	125-2027-91	DTC114EUA	R323	119-0000-05	1/10W 0 ohm JW	R564	119-1021-15	1/10W 1k ohm
Q248	198-3018-00	2SK3018	R324	119-0000-05	1/10W 0 ohm JW	R566	119-1021-15	1/10W 1k ohm
Q249	198-3018-00	2SK3018	R325	119-0000-05	1/10W 0 ohm JW	R568	119-4731-15	1/10W 47k ohm
Q391	125-2027-91	DTC114EUA	R326	119-0000-05	1/10W 0 ohm JW	R569	119-4731-15	1/10W 47k ohm
Q392	192-4116-00	2SC4116	R351	119-8211-15	1/10W 820 ohm	R572	119-4731-15	1/10W 47k ohm
Q502	190-1736-00	2SA1736	R352	119-1021-15	1/10W 1k ohm	R573	119-4731-15	1/10W 47k ohm
Q503	192-4116-00	2SC4116	R353	032-0140-50	1/10W 10k ohm F	R701	116-1211-15	1/4W 120 ohm
Q504	192-4116-00	2SC4116	R354	032-0140-50	1/10W 10k ohm F	R702	116-6801-15	1/4W 68 ohm
Q505	192-4116-00	2SC4116	R355	032-0140-50	1/10W 10k ohm F	R703	119-2231-15	1/10W 22k ohm
Q506	193-2118-50	2SD2118F5 R,S	R356	032-0140-50	1/10W 10k ohm F	R704	119-2231-15	1/10W 22k ohm
Q701	192-4116-00	2SC4116	R357	032-0140-50	1/10W 10k ohm F	R711	116-2221-15	1/4W 2.2k ohm
Q711	190-1736-00	2SA1736	R358	032-0140-50	1/10W 10k ohm F	R712	117-1031-15	1/8W 10k ohm
Q712	192-4116-00	2SC4116	R359	032-0140-50	1/10W 10k ohm F	R713	116-2221-15	1/4W 2.2k ohm
Q761	193-1664-00	2SD1664 P,Q,R	R360	032-0140-50	1/10W 10k ohm F	R714	119-1031-15	1/10W 10k ohm
Q762	125-0021-91	DTA114EUA	R391	119-5631-15	1/10W 56k ohm	R715	119-3321-15	1/10W 3.3k ohm
Q763	125-2027-91	DTC114EUA	R392	119-1221-15	1/10W 1.2k ohm	R726	119-1021-15	1/10W 1k ohm
Q771	193-2118-00	2SD2118F5 Q,R,S	R393	119-2221-15	1/10W 2.2k ohm	R731	116-5621-15	1/4W 5.6k ohm
Q773	192-4116-00	2SC4116	R394	119-2221-15	1/10W 2.2k ohm	R732	116-4721-15	1/4W 4.7k ohm
Q775	192-4116-00	2SC4116	R395	119-2221-15	1/10W 2.2k ohm	R761	032-0092-56	1/8W 22k ohm F
Q776	125-0021-91	DTA114EUA	R396	119-2221-15	1/10W 2.2k ohm	R762	119-1541-15	1/10W 150k ohm
Q777	125-2027-91	DTC114EUA	R397	119-1031-15	1/10W 10k ohm	R763	032-0092-51	1/8W 1k ohm F
Q791	192-4116-00	2SC4116	R398	119-4731-15	1/10W 47k ohm	R764	119-1221-15	1/10W 1.2k ohm
Q792	192-4116-00	2SC4116	R399	119-4731-15	1/10W 47k ohm	R772	119-2231-15	1/10W 22k ohm
Q821	190-1736-00	2SA1736	R400	119-1031-15	1/10W 10k ohm	R773	116-1021-15	1/4W 1k ohm
Q822	192-4116-00	2SC4116	R502	119-4721-15	1/10W 4.7k ohm	R774	119-2231-15	1/10W 22k ohm

REF No.	PART No.	DESCRIPTION	REF No.	PART No.	DESCRIPTION	REF No.	PART No.	DESCRIPTION
R779	116-1821-15	1/4W 1.8k ohm	R821	116-1031-15	1/4W 10k ohm	TM502	073-0762-90	TERMINAL
R780	117-1821-15	1/8W 1.8k ohm	R822	119-1031-15	1/10W 10k ohm	TM801	073-0762-90	TERMINAL
R781	119-0000-05	1/10W 0 ohm JW	R823	119-1031-15	1/10W 10k ohm	TM802	073-0762-90	TERMINAL
R791	119-0000-05	1/10W 0 ohm JW	R824	116-2221-15	1/4W 2.2k ohm	X121	061-1066-00	CRYSTAL 7.2MHZ
R792	116-4721-15	1/4W 4.7k ohm	R825	116-2221-15	1/4W 2.2k ohm	X501	060-1533-90	CSTCE10M0G52-RO
R794	119-1831-15	1/10W 18k ohm	R904	119-0000-05	1/10W 0 ohm JW	PWB	039-2765-02	PWB(WITHOUT COMPONENT)
R795	119-4721-15	1/10W 4.7k ohm	SUP101	060-0122-20	DSP-141N-S00B			
R796	116-5611-15	1/4W 560 ohm	TH711	002-0318-01	1206L035YRT			
R801	119-0000-05	1/10W 0 ohm JW	TM101	073-0762-90	TERMINAL			
R802	119-0000-05	1/10W 0 ohm JW	TM501	073-0762-90	TERMINAL			