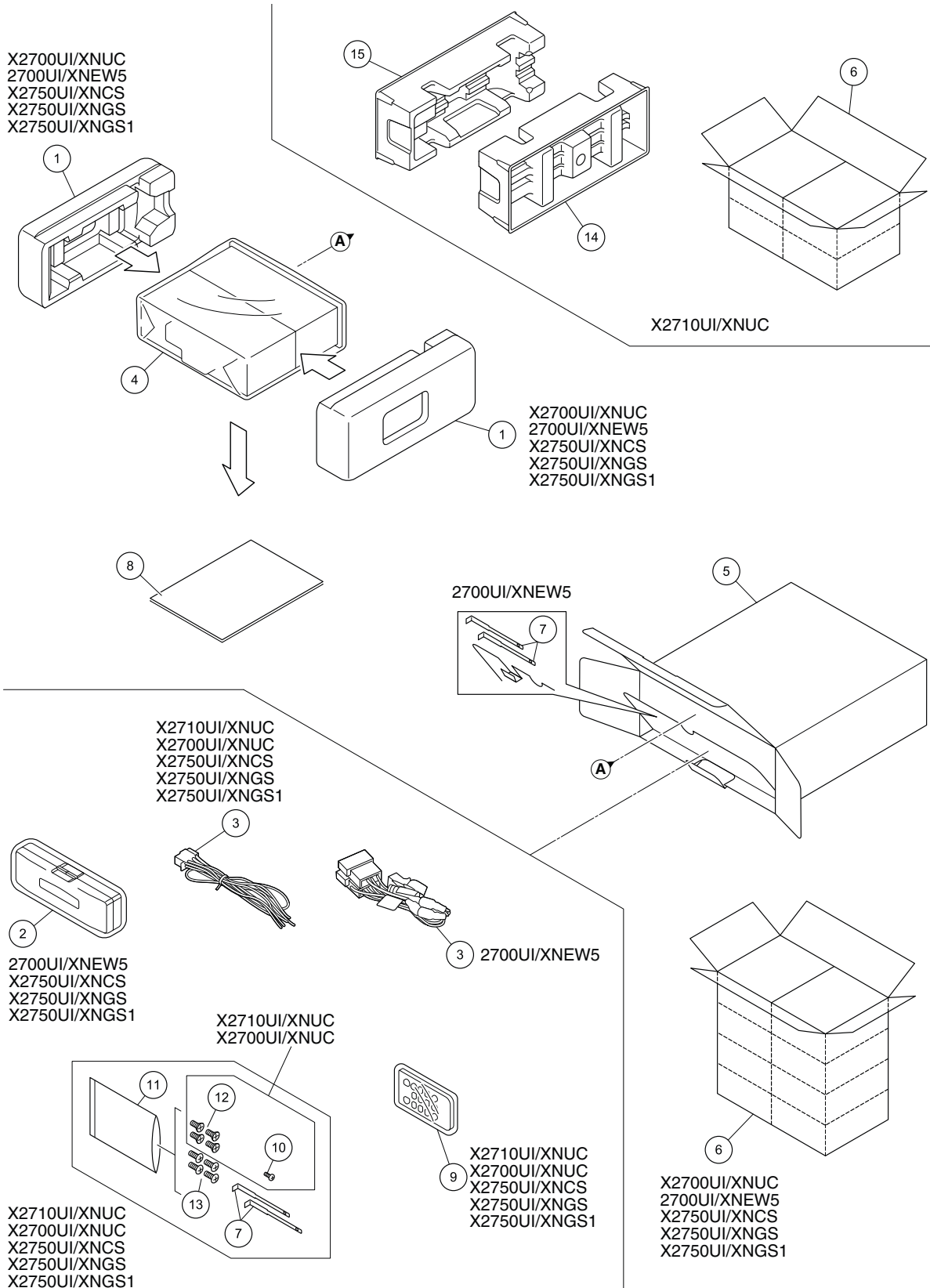


9. EXPLODED VIEWS AND PARTS LIST

- NOTES :**
- Parts marked by "*" are generally unavailable because they are not in our Master Spare Parts List.
 - The ⚠ mark found on some component parts indicates the importance of the safety factor of the part. Therefore, when replacing, be sure to use parts of identical designation.
 - Screw adjacent to ∇ mark on the product are used for disassembly.
 - For the applying amount of lubricants or glue, follow the instructions in this manual.
(In the case of no amount instructions, apply as you think it appropriate.)

9.1 PACKING



(1) PACKING SECTION PARTS LIST

<u>Mark No.</u>	<u>Description</u>	<u>Part No.</u>	<u>Mark No.</u>	<u>Description</u>	<u>Part No.</u>
1	Protector	See Contrast table (2)	* 8-3	Service Network	See Contrast table (2)
2	Case Assy	See Contrast table (2)			
3	Cord Assy	See Contrast table (2)	9	Card Remote Control Unit	See Contrast table (2)
4	Polyethylene Bag	See Contrast table (2)	10	Screw	See Contrast table (2)
5	Unit Box	See Contrast table (2)	11	Polyethylene Bag	See Contrast table (2)
			12	Screw	See Contrast table (2)
6	Contain Box	See Contrast table (2)	13	Screw	See Contrast table (2)
7	Handle	QNC3021			
8-1	Owner's Manual	See Contrast table (2)	14	Protector	See Contrast table (2)
* 8-2	Warranty Card	See Contrast table (2)	15	Protector	See Contrast table (2)

(2) CONTRAST TABLE

DEH-X2710UI/XNUC, DEH-X2700UI/XNUC, DEH-2700UI/XNEW5, DEH-X2750UI/XNCS, DEH-X2750UI/XNGS and DEH-X2750UI/XNGS1 are constructed the same except for the following:

Mark	No.	Description	DEH-X2710UI/XNUC	DEH-X2700UI/XNUC	DEH-2700UI/XNEW5	DEH-X2750UI/XNCS
	1	Protector	Not used	CHP4594	CHP4594	CHP4594
	2	Case Assy	Not used	Not used	QXA3129	QXA3129
	3	Cord Assy	CDP1480	CDP1480	QDP3070	CDP1480
	4	Polyethylene Bag	CEG1173	CEG1173	QEG3001	QEG3001
	5	Unit Box	QHG3678	QHG3677	QHG3672	QHG3673
	6	Contain Box	QHL3678	QHL3677	QHL3672	QHL3673
	8-1	Owner's Manual	QRD3271	QRD3271	QRD3270	QRD3272
*	8-2	Warranty Card	QRY3001	QRY3001	CRY1376	Not used
*	8-3	Service Network	Not used	Not used	Not used	Not used
	9	Card Remote Control Unit	QXE1047	QXE1047	Not used	QXE1047
	10	Screw	BPZ20P060FTC	BPZ20P060FTC	Not used	Not used
	11	Polyethylene Bag	CEG1160	CEG1160	Not used	CEG1160
	12	Screw	CRZ50P090FTC	CRZ50P090FTC	Not used	Not used
	13	Screw	TRZ50P080FTC	TRZ50P080FTC	Not used	TRZ50P080FTC
	14	Protector	CHP4103	Not used	Not used	Not used
	15	Protector	CHP4104	Not used	Not used	Not used

Mark	No.	Description	DEH-X2750UI /XNGS	DEH-X2750UI /XNGS1
	1	Protector	CHP4594	CHP4594
	2	Case Assy	QXA3129	QXA3129
	3	Cord Assy	CDP1480	CDP1480
	4	Polyethylene Bag	QEG3001	QEG3001
	5	Unit Box	QHG3674	QHG3676
	6	Contain Box	QHL3674	QHL3676
	8-1	Owner's Manual	QRD3273	QRD3273
*	8-2	Warranty Card	Not used	CRY1394
*	8-3	Service Network	Not used	CRY1395
	9	Card Remote Control Unit	QXE1047	QXE1047
	10	Screw	Not used	Not used
	11	Polyethylene Bag	CEG1160	CEG1160
	12	Screw	Not used	Not used
	13	Screw	TRZ50P080FTC	TRZ50P080FTC
	14	Protector	Not used	Not used
	15	Protector	Not used	Not used

Owner's Manual, Installation Manual

Part No.	Language
QRD3270	English, French, Italian, Spanish(Espanol), German, Dutch, Russian
QRD3271	English, French, Spanish(Espanol)
QRD3272	English, Spanish(Espanol), Portuguese(B)
QRD3273	English, Traditional Chinese, Arabic, Persian

9.2 EXTERIOR

1

2

3

4

A

B

B

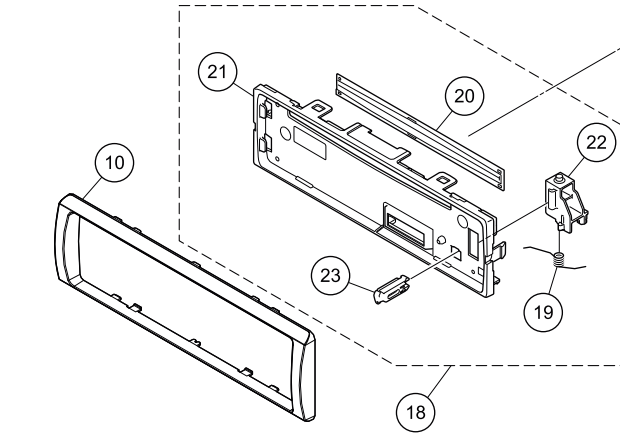
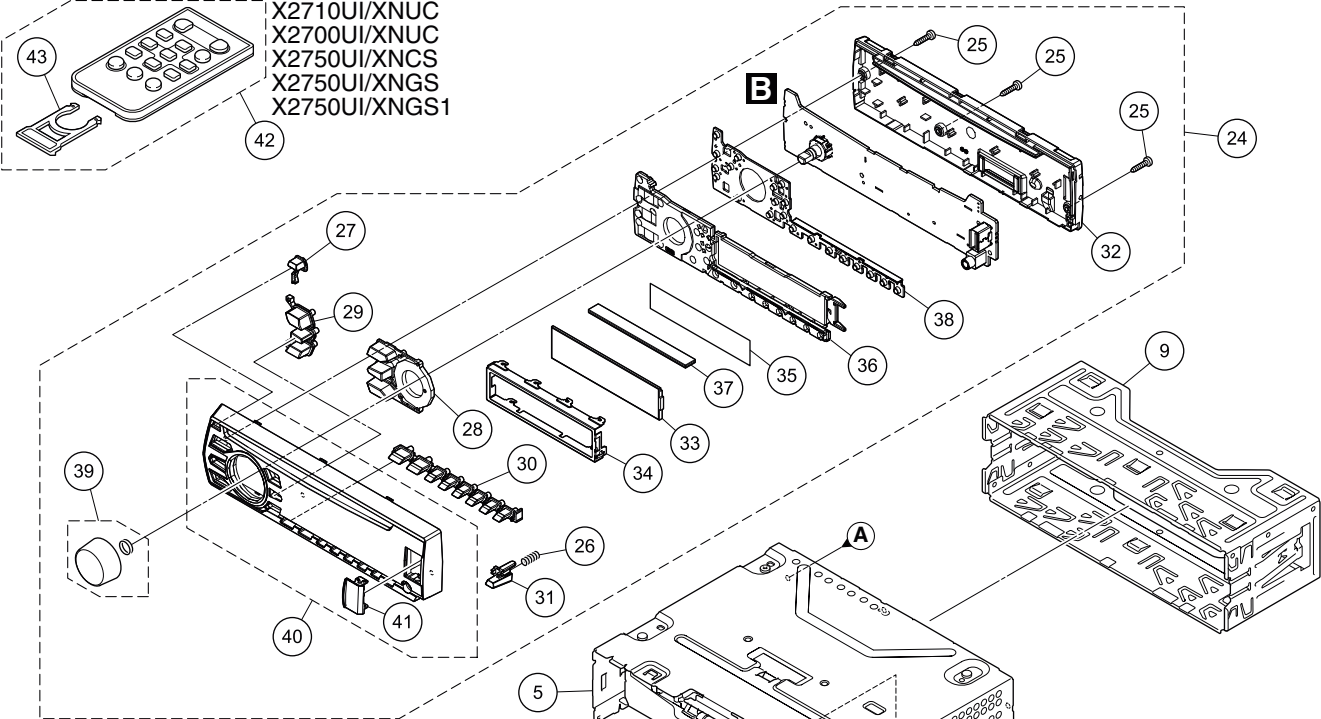
C

D

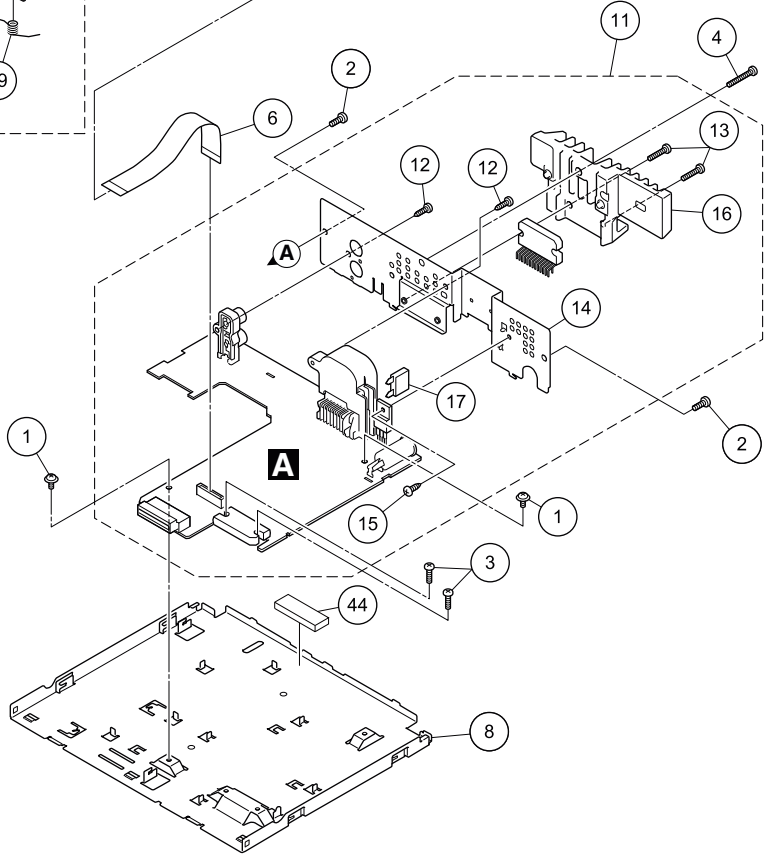
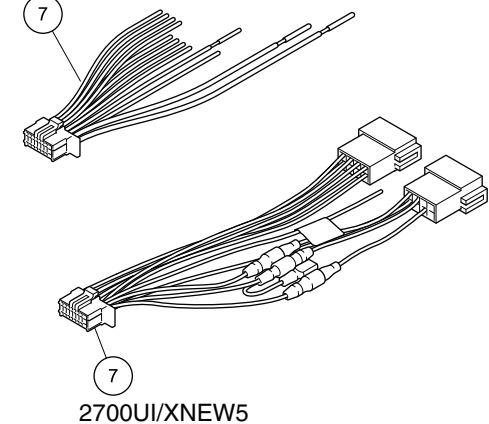
E

F

X2710UI/XNUC
 X2700UI/XNUC
 X2750UI/XNCS
 X2750UI/XNGS
 X2750UI/XNGS1



X2710UI/XNUC
 X2700UI/XNUC
 X2750UI/XNCS
 X2750UI/XNGS
 X2750UI/XNGS1



1

2

3

4

(1) EXTERIOR SECTION PARTS LIST

<u>Mark No.</u>	<u>Description</u>	<u>Part No.</u>	<u>Mark No.</u>	<u>Description</u>	<u>Part No.</u>
1	Screw	ASZ26P050FTC	23	Button	QNV3026
2	Screw	BSZ26P060FTC	24	Detachable Grille Assy	See Contrast table (2)
3	Screw	BSZ26P080FTC	25	Screw	BPZ20P100FTC
4	Screw	BSZ26P120FTC			
5	CD Mechanism Module (S11.6VA)CXK5805		26	Spring	CBH2210
			27	Button (EJECT)	QAC3177
6	FFC	QDE3029	28	Button (SRC, iPod, BAND)	QAC3182
7	Cord Assy	See Contrast table (2)	29	Button (DISP)	QAC3179
8	Case	QNB3021	30	Button (< > 1-6)	QAC3180
9	Holder	QNC3020			
10	Panel	QNS3568	31	Button (DETACH)	QAC3181
			32	Cover	QNS3808
11	Tuner Amp Unit	See Contrast table (2)	33	LCD (V1801)	CAW2055
12	Screw	BPZ26P080FTC	34	Holder	QNC3067
13	Screw	BSZ26P120FTC	35	Sheet	QNM3128
14	Holder	See Contrast table (2)			
15	Screw	BSZ26P060FTC	36	Lighting Conductor	QNV3098
			37	Rubber Connector	QNV3071
16	Heat Sink	See Contrast table (2)	38	Contact Rubber	QNV3102
⚠ 17	Fuse (10 A)	YEK5001	39	Knob Unit	See Contrast table (2)
18	Panel Assy	See Contrast table (2)	40	Grille Unit	See Contrast table (2)
19	Spring	QBH3001			
20	Cover	QNM3029	41	Door	QAT3014
			42	Card Remote Control Unit	See Contrast table (2)
21	Panel	QNS3126	43	Cover	See Contrast table (2)
22	Arm	QNV3025	44	Sheet	QNM3130

(2) CONTRAST TABLE

DEH-X2710UI/XNUC, DEH-X2700UI/XNUC, DEH-2700UI/XNEW5, DEH-X2750UI/XNCS, DEH-X2750UI/XNGS and DEH-X2750UI/XNGS1 are constructed the same except for the following:

Mark	No.	Description	DEH-X2710UI/XNUC	DEH-X2700UI/XNUC	DEH-2700UI/XNEW5	DEH-X2750UI/XNCS
	7	Cord Assy	CDP1480	CDP1480	QDP3070	CDP1480
	11	Tuner Amp Unit	QWM3890	QWM3889	QWM3888	QWM3891
	14	Holder	QNC3051	QNC3051	QNC3049	QNC3049
	16	Heat Sink	QNR3010	QNR3010	QNR3010	QNR3010
	18	Panel Assy	* CXE3802	QXA3261	QXA3261	QXA3261
	24	Detachable Grille Assy	QXA4222	QXA4221	QXA4216	QXA4217
	39	Knob Unit	QXA3670	QXA3670	QXA3673	QXA3670
	40	Grille Unit	QXA4255	QXA4254	QXA4249	QXA4250
	42	Card Remote Control Unit	QXE1047	QXE1047	Not used	QXE1047
	43	Cover	CNS7068	CNS7068	Not used	CNS7068

Mark	No.	Description	DEH-X2750UI /XNGS	DEH-X2750UI /XNGS1
	7	Cord Assy	CDP1480	CDP1480
	11	Tuner Amp Unit	QWM3892	QWM3892
	14	Holder	QNC3049	QNC3049
	16	Heat Sink	QNR3002	QNR3002
	18	Panel Assy	QXA3261	QXA3261
	24	Detachable Grille Assy	QXA4218	QXA4218
	39	Knob Unit	QXA3671	QXA3671
	40	Grille Unit	QXA4251	QXA4251
	42	Card Remote Control Unit	QXE1047	QXE1047
	43	Cover	CNS7068	CNS7068

9.3 CD MECHANISM MODULE

A

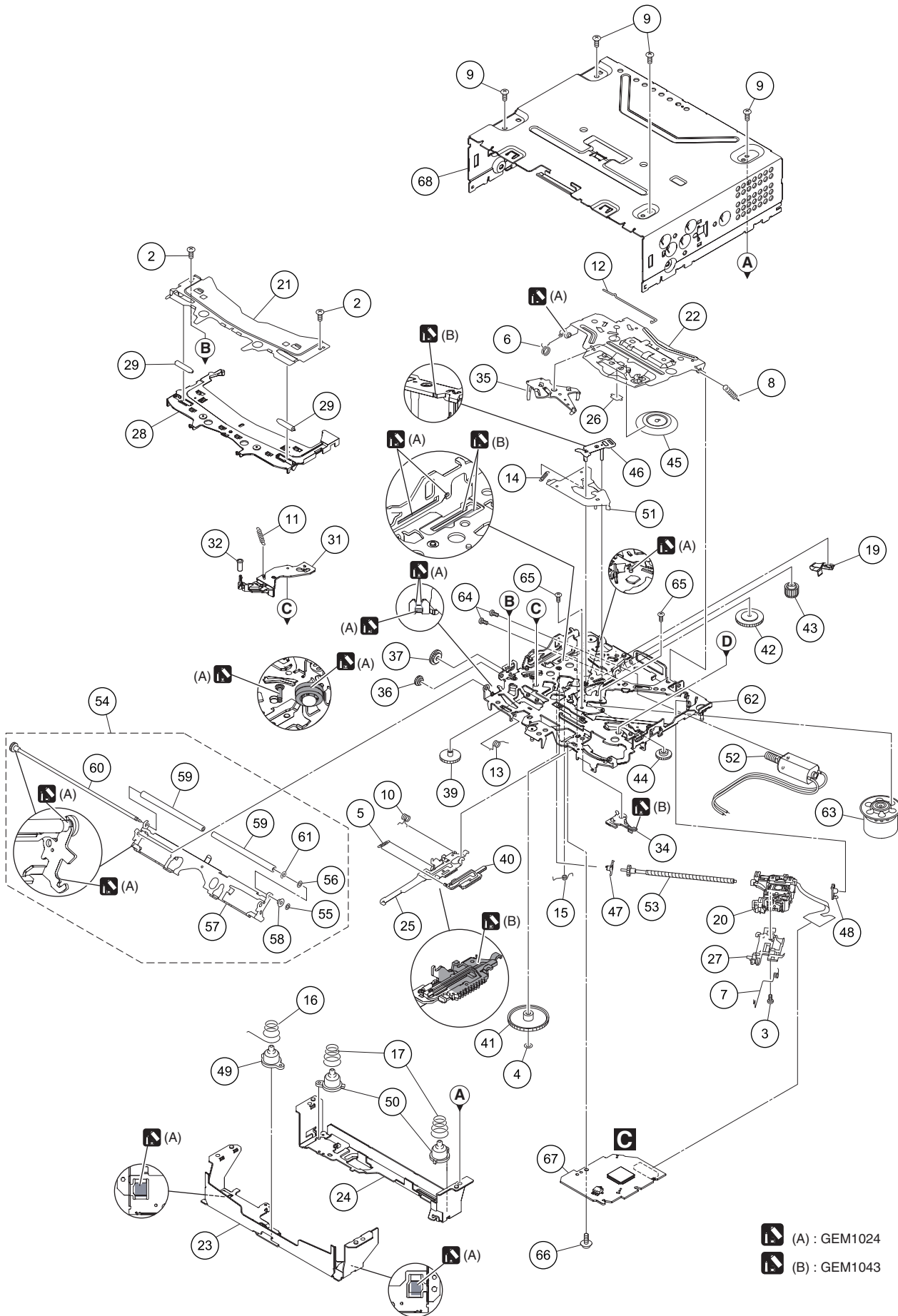
B

C

D

E

F



(A) : GEM1024
 (B) : GEM1043

CD MECHANISM MODULE SECTION PARTS LIST

<u>Mark No.</u>	<u>Description</u>	<u>Part No.</u>	<u>Mark No.</u>	<u>Description</u>	<u>Part No.</u>
1		50	Damper	CNW1198
2	Screw	BSZ20P040FTC	51	Arm	CNW1726
3	Screw(M2 x 4)	CBA1835	52	Motor Unit(M2)(LOAD/CRG)	CXC4026
4	Washer	CBF1038	53	Screw Unit	CXC8894
5	Spring	CBH3010	54	Arm Assy	CXE6232
6	Spring	CBH2855	55	Washer	CBF1037
7	Spring	CBH2856	56	Washer	CBF1038
8	Spring	CBH2860	57	Arm	CND6242
9	Screw	BSZ26P060FTC	58	Collar	CNW2444
10	Spring	CBH3011	59	Roller	CNW2500
11	Coil Spring	CBH3095	60	Gear Unit	CXE6225
12	Spring	CBH3014	61	Washer	YE15FTC
13	Spring	CBH3015	62	Chassis Unit	CXE4528
14	Spring	CBH3016	63	Motor Unit(M1)(SPDL)	CXE2273
15	Spring	CBH3017	64	Screw	JFZ20P025FTC
16	Spring	CBH3086	65	Screw	JGZ17P022FTC
17	Spring	CBH3019	66	Screw	EBA1028
18		67	CD Core Unit (S11.6VA)	CWX4269
19	Leaf Spring	CBL1824	68	Chassis	CNA3181
20	PU Unit(P11)(Service)	CXX4754			
21	Bracket	CND4553			
22	Arm	CND6406			
23	Bracket	CND6127			
24	Bracket	CND5710			
25	Lever	CND5398			
26	Sheet	CNN3678			
27	Rack	CNV8342			
28	Guide	CNW2240			
29	Roller	CNW1172			
30				
31	Arm	CNW2241			
32	Roller	CNW1175			
33				
34	Arm	CNW1177			
35	Arm	CNW1178			
36	Gear	CNW1180			
37	Gear	CNW1181			
38				
39	Gear	CNW1183			
40	Rack	CNW1184			
41	Gear	CNW1185			
42	Gear	CNW1186			
43	Gear	CNW1187			
44	Gear	CNW2287			
45	Clamper	CNW1190			
46	Arm	CNW1192			
47	Holder	CNW1193			
48	Holder	CNW1194			
49	Damper	CNW1197			

12. ELECTRICAL PARTS LIST

NOTE:

- Parts whose parts numbers are omitted are subject to being not supplied.
- The part numbers shown below indicate chip components.

Chip Resistor

RS1/○S○○○○J,RS1/○○S○○○○J

Chip Capacitor (except for CQS.....)

CKS....., CCS....., CSZS.....

- The \triangle mark found on some component parts indicates the importance of the safety factor of the part. Therefore, when replacing, be sure to use parts of identical designation.
- Meaning of the figures and others in the parentheses in the parts list.

Example) IC 301 is on the point (face A, 91 of x-axis, and 111 of y-axis) of the corresponding PC board.

IC 301 (A, 91, 111) IC NJM2068V

- The expression of the unit in this manual is shown by *u* instead of μ . Please do not make a mistake.

	<u>Circuit Symbol and No.</u>	<u>Part No.</u>	<u>Circuit Symbol and No.</u>	<u>Part No.</u>
A	DEH-X2710UI/XNUC		IC 451 (A,158,75) IC	MM3571A33P
	B:DEH-X2700UI/XNUC		IC 531 (A,92,83) IC	337S3959
	C:DEH-2700UI/XNEW5		IC 551 (A,18,110) IC	KBD9876EFJ
	D:DEH-X2750UI/XNCS		IC 552 (A,105,23) IC	BD2232G-G
	E:DEH-X2750UI/XNGS, DEH-X2750UI/XNGS1		IC 601 (A,109,76) FLASH BLANK UC IC	R5S726A0D216FP
B	Unit Number: QWM3890(A)		IC 671 (A,130,74) IC	S-80827CNMC-B8M
	Unit Number: QWM3889(B)		IC 681 (A,113,93) FLASHROM IC(A,B) *	PEB156A8
	Unit Number: QWM3888(C)		(A,113,93) FLASHROM IC(C) *	PEB155A8
	Unit Number: QWM3891(D)		(A,113,93) FLASHROM IC(D,E) *	PEB184A8
	Unit Number: QWM3892(E)		IC 801 (A,103,18) L-MOS And Gate	TC7SET08FUS1
	Unit Name: Tuner Amp Unit		IC 911 (A,143,27) IC	BA49183-V12
	Unit Number:		Q 251 (A,12,129) Transistor(C,D,E)	EMH53
	Unit Name: Keyboard Unit		Q 252 (A,22,130) Transistor	EMH53
	Unit Number: CWX4269		Q 301 (A,85,126) Transistor	EMD52
	Unit Name: CD Core Unit(S11.6VA)		Q 531 (A,92,92) Transistor	LSAR523UB
C			Q 601 (A,91,94) Transistor(E)	RN4982
			Q 751 (A,140,138) Transistor	KTD2092
			Q 752 (A,139,132) Transistor	EMD52
			Q 873 (A,148,70) Transistor	2SCR514PGZE
			Q 874 (A,148,64) Transistor	EMD52
			Q 876 (A,150,61) Transistor	2SAR502UB
			Q 877 (A,146,53) Transistor	LTC143EUB
			Q 941 (A,95,121) Transistor	LSCR523UB
			Q 951 (A,122,109) Transistor(C)	LSAR523UB
			D 301 (A,103,124) Diode	CRG03
			D 302 (A,100,124) Diode	CRG03
			D 551 (A,21,123) Diode	CMS30I30A
			D 552 (A,20,103) Diode	RB056L-40
			D 601 (A,128,80) Diode(C)	RB751SM-40
	D			D 602 (A,132,69) Diode(C)
			D 751 (A,135,134) Diode	DZ2J082M0
			D 802 (A,91,16) Diode	DZ2S068C
			D 803 (A,125,14) Diode	DZ2S068C
			D 804 (A,118,12) Diode	DZ2S068C
			D 805 (A,119,12) Diode	DZ2S068C
			D 806 (A,114,12) Diode	DZ2S068C
			D 807 (A,112,12) Diode	DZ2S068C
			D 871 (A,145,60) Diode	DZ2J100M0
			D 901 (A,139,126) Diode	D1F60-5053
E			D 902 (A,136,126) Diode	D1F60-5053
F				

5		6		7		8	
<u>Circuit Symbol and No.</u>		<u>Part No.</u>		<u>Circuit Symbol and No.</u>		<u>Part No.</u>	
D 911	(A,156,66) Diode	CRG03					
D 912	(A,159,66) Diode	CRG03		R 453	(A,143,73) (A,B)	RS1/10SR0R0J	
D 941	(A,92,124) Diode(A,B,D,E)	DZ2J068M0		R 455	(A,161,88)	RS1/16SS0R0J	
	(A,92,124) Diode(C)	DZ2J075M0		R 531	(A,90,89)	RS1/16SS473J	A
D 951	(A,120,112) Diode(C)	DAN202UM		R 532	(A,90,86)	RS1/16SS222J	
				R 533	(A,91,86)	RS1/16SS222J	
L 202	(A,93,101) Inductor	CTF1793					
L 402	(A,137,91) Inductor(A,B,C,D)	LCTAW150J2520		R 534	(A,93,86)	RS1/16SS272J	
	(A,137,91) Inductor(E)	LCTAW3R3J2520		R 535	(A,94,86)	RS1/16SS472J	
L 403	(A,137,95) Chip Coil(E)	LCTAWR27J2520		R 536	(A,96,87)	RS1/16SS472J	
L 404	(A,139,105) Inductor(A,B,C,D)	CTF1389		R 537	(A,94,83)	RS1/16SS101J	
L 406	(A,143,77) Inductor(A,B,C,D)	CTF1786		R 538	(A,94,82)	RS1/16SS101J	
L 408	(A,148,103) Inductor	LCMAR27J1608		R 551	(A,24,110)	RS1/16SS682J	
L 410	(A,139,107) Inductor(E)	ATL7033		R 552	(A,29,111)	RS1/16SS0R0J	
L 551	(A,29,105) Inductor	CTH1584		R 553	(A,26,111)	RS1/16SS1803D	
L 801	(A,113,16) Inductor	CTF1713		R 554	(A,26,109)	RS1/16SS4302D	B
L 901	(A,111,140) Choke Coil 600 uH	CTH1432		R 555	(A,38,123)	RS1/10SR471J	
L 951	(A,120,114) Chip Coil(C)	BTH1101		R 601	(A,93,68) (C,D,E)	RS1/16SS473J	
T 401	(A,145,96) Variable Coil	CTC1215		R 602	(A,120,68)	RS1/16SS102J	
X 401	(A,153,85) Resonator 9.216 MHz	CSS1864		R 604	(A,115,59) (C)	RS1/16SS473J	
X 601	(A,125,74) Resonator 12.0 MHz	CSS1847		R 609	(A,121,63)	RS1/16SS473J	
X 602	(A,116,89) Ceramic Resonator 16.934 MHz	CSS1603		R 610	(A,121,65)	RS1/16SS473J	
△ P251	(A,4,129) Fuse 3.0 A	CEK1386		R 611	(A,122,68)	RS1/16SS473J	
P 402	(A,154,108) Absorber	HSPC16701B02		R 613	(A,120,75)	RS1/16SS152J	
VA801	(A,106,12) Varistor	MLV0402ES012V0010N		R 614	(A,121,77)	RS1/16SS473J	
VA802	(A,100,12) Varistor	MLV0402ES012V0010N		R 615	(A,129,77)	RS1/16SS473J	
CN701	(A,112,31) Connector	VKN1192		R 616	(A,125,67)	RS1/16SS473J	C
CN801	(A,108,3) Connector	CKS6452		R 617	(A,130,80)	RS1/16SS103J	
JA251	(A,17,137) Pin Jack(A,B)	YKB5010		R 618	(A,124,81) (A)	RS1/16SS103J	
	(A,17,137) Jack(C,D,E)	CKB1109			(A,124,81) (B,C)	RS1/16SS473J	
JA401	(A,156,128) Jack	YKS5041			(A,124,81) (E)	RS1/16SS223J	
JA891	(A,41,137) Jack(C,D,E)	CKS6437		R 619	(A,125,81) (A,D,E)	RS1/16SS473J	
JA901	(A,112,140) Plug	CKM1624		R 622	(A,124,86)	RS1/16SS473J	
△	Fuse (10 A)	YEK5001		R 623	(A,128,84)	RAB4CQ473J	
RESISTORS				R 625	(A,112,89)	RS1/16SS221J	
R 251	(A,16,130) (C,D,E)	RS1/16SS821J		R 626	(A,111,88)	RS1/16SS221J	
R 252	(A,11,127) (C,D,E)	RS1/16SS821J		R 627	(A,110,87)	RS1/16SS221J	
R 253	(A,14,130) (C,D,E)	RS1/16SS223J		R 628	(A,110,89)	RS1/16SS221J	D
R 254	(A,11,129) (C,D,E)	RS1/16SS223J		R 629	(A,107,90)	RS1/16SS221J	
R 255	(A,28,131)	RS1/16SS821J					
R 256	(A,18,130)	RS1/16SS821J		R 630	(A,108,88)	RS1/16SS221J	
R 257	(A,26,130)	RS1/16SS223J		R 631	(A,106,91)	RS1/16SS473J	
R 258	(A,20,130)	RS1/16SS223J		R 632	(A,104,90)	RS1/16SS473J	
R 305	(A,88,126)	RS1/16SS103J		R 633	(A,105,89)	RS1/16SS101J	
R 306	(A,88,128)	RS1/16SS221J		R 634	(A,101,87)	RS1/16SS102J	
R 307	(A,87,127)	RS1/16SS223J		R 636	(A,98,90)	RS1/16SS473J	
R 309	(A,88,124)	RS1/16SS103J		R 637	(A,99,89)	RS1/16SS473J	
R 401	(A,145,91)	RS1/16SS0R0J		R 638	(A,102,91)	RS1/16SS473J	
R 402	(A,143,91)	RS1/16SS0R0J		R 643	(A,98,81)	RS1/16SS104J	
R 403	(A,135,91) (A,B,C,D)	RS1/16SS391J		R 644	(A,97,78)	RS1/16SS101J	E
	(A,135,91) (E)	RS1/16SS101J		R 645	(A,94,78)	RS1/16SS101J	
				R 646	(A,132,72) (A,B,C,D)	RS1/16SS103J	
					(A,132,72) (E)	RS1/16SS1002F	
R 404	(A,142,108)	RS1/16SS105J		R 647	(A,97,76)	RS1/16SS101J	
R 405	(A,147,108)	RS1/16SS105J		R 648	(A,94,75)	RS1/16SS102J	
R 406	(A,146,80)	RS1/16SS101J		R 649	(A,94,74)	RS1/16SS102J	
R 407	(A,147,80)	RS1/16SS101J					
R 408	(A,149,81)	RS1/16SS103J		R 650	(A,94,73)	RS1/16SS102J	
				R 651	(A,96,70)	RS1/16SS473J	
R 410	(A,148,81)	RS1/16SS103J		R 652	(A,96,68)	RS1/16SS222J	
R 422	(A,144,77) (E)	RS1/16SS0R0J		R 653	(A,98,65)	RS1/16SS103J	
R 437	(A,147,77)	RS1/16SS472J		R 655	(A,111,61)	RS1/16SS0R0J	F
R 438	(A,146,77)	RS1/16SS472J					
R 452	(A,159,85)	RS1/16SS0R0J		R 656	(A,113,63)	RS1/16SS0R0J	
				R 659	(A,122,60)	RS1/16SS153J	

1

Circuit Symbol and No.

R 660 (A,122,59)
 R 663 (A,101,61) (C,D,E)
 R 664 (A,132,61)

A

R 665 (A,94,68)
 R 667 (A,101,59)
 R 671 (A,128,68)
 R 681 (A,107,96)
 R 682 (A,109,90)

R 683 (A,118,91)
 R 684 (A,107,92)
 R 685 (A,118,95)
 R 687 (A,126,95) (E)
 R 701 (A,107,37)

B

R 702 (A,112,37)
 R 703 (A,116,27)
 R 704 (A,109,39)
 R 706 (A,106,35)
 R 707 (A,108,37)

R 708 (A,109,37)
 R 709 (A,110,37)
 R 710 (A,111,37)
 R 711 (A,112,38)
 R 715 (A,115,35)

C

R 716 (A,116,35)
 R 717 (A,117,35)
 R 718 (A,121,35)
 R 719 (A,120,35)
 R 752 (A,142,133)

R 753 (A,126,90)
 R 754 (A,126,91)
 R 801 (A,123,20)
 R 803 (A,119,17)
 R 804 (A,117,17)

D

R 805 (A,119,18)
 R 806 (A,117,19)
 R 807 (A,118,19)
 R 808 (A,122,19)
 R 809 (A,114,20)

R 810 (A,112,20)
 R 811 (A,147,56)
 R 813 (A,106,15)
 R 814 (A,100,18)
 R 815 (A,98,18)

E

R 816 (A,95,18)
 R 817 (A,93,18)
 R 851 (A,91,19)
 R 878 (A,122,25)
 R 879 (A,154,66)

R 880 (A,148,60)
 R 882 (A,149,66)
 R 891 (A,56,136) (A,B,C,D)
 (A,56,136) (E)
 R 892 (A,56,135)
 R 900 (A,53,135) (E)

F

R 911 (A,144,39)
 R 912 (A,139,40)
 R 913 (A,152,40)
 R 914 (A,129,39)
 R 915 (A,138,120)

R 941 (A,92,121)

2

Part No.

RS1/16SS153J
 RS1/16SS473J
 RS1/16SS103J

RS1/16SS222J
 RS1/16SS473J
 RS1/16SS104J
 RS1/16SS473J
 RS1/16SS473J

RS1/16SS473J
 RS1/16SS473J
 RS1/16SS473J
 RS1/10SR0R0J
 RS1/16SS473J

RS1/16SS104J
 RAB4CQ472J
 RS1/16SS104J
 RS1/16SS221J
 RS1/16SS221J

RS1/16SS101J
 RS1/16SS221J
 RS1/16SS101J
 RS1/16SS102J
 RS1/16SS151J

RS1/16SS151J
 RS1/16SS151J
 RS1/16SS221J
 RS1/16SS104J
 RS1/4SA391J

RS1/16SS473J
 RS1/16SS103J
 RS1/10SR222J
 RS1/16SS223J
 RS1/16SS223J

RS1/10SR101J
 RS1/10SR101J
 RS1/10SR101J
 RS1/10SR222J
 RS1/10SR220J

RS1/10SR220J
 RS1/16SS272J
 RS1/10SR222J
 RS1/10SR222J
 RS1/16SS822J

RS1/10SR222J
 RS1/10SR222J
 RS1/16SS472J
 RS1/10SR473J
 RS1/10SR102J

RS1/16SS103J
 RS1/16SS473J
 RS1/16SS102J
 RS1/16SS1001F
 RS1/16SS102J
 RS1/16SS471J

RS1/10SR1R0J
 RS1/10SR1R0J
 RS1/16SS223J
 RS1/16SS223J
 RS1/10SR0R0J

RS1/16SS223J

3

Circuit Symbol and No.

R 942 (A,93,121)
 R 943 (A,93,124) (A,B,D,E)
 (A,93,124) (C)
 R 944 (A,97,123) (A,B,D,E)
 (A,97,123) (C)
 R 951 (A,124,107) (C)

R 952 (A,118,109) (C)
 R 953 (A,123,113) (C)

CAPACITORS

C 201 (A,99,116)
 C 202 (A,103,115)
 C 203 (A,91,115)
 C 204 (A,106,114)
 C 205 (A,92,115)

C 206 (A,106,111)
 C 207 (A,93,107)
 C 208 (A,93,105)
 C 209 (A,92,103) 10 uF
 C 210 (A,94,105)

C 211 (A,108,106)
 C 212 (A,106,108) 10 uF
 C 213 (A,107,105)
 C 214 (A,107,103)
 C 215 (A,107,101)

C 216 (A,91,100) 10 uF
 C 217 (A,93,99)
 C 218 (A,113,108)
 C 219 (A,111,102) 10 uF
 C 220 (A,104,97) 10 uF

C 221 (A,94,103)
 C 223 (A,90,100) 1 uF
 C 224 (A,113,102)
 C 227 (A,90,108) (C,D)
 C 229 (A,109,111) 1 uF

C 236 (A,108,103)
 C 251 (A,33,127) 10 uF(C,D,E)
 C 252 (A,15,126) 10 uF(C,D,E)
 C 253 (A,15,129) (C,D,E)
 C 254 (A,10,129) (C,D,E)

C 255 (A,33,131) 10 uF
 C 256 (A,29,129) 10 uF
 C 257 (A,25,130)
 C 258 (A,19,130)
 C 260 (A,32,136)

C 261 (A,4,132)
 C 301 (A,68,128)
 C 303 (A,78,128)
 C 305 (A,72,129)
 C 307 (A,76,128)

C 313 (A,82,129) 2.2 uF
 C 314 (A,134,125)
 C 318 (A,63,129) 10 uF/16 V
 C 322 (A,104,125)
 C 327 (A,86,128)

C 328 (A,51,129) 2.2 uF
 C 407 (A,151,91)
 C 409 (A,147,90)
 C 410 (A,146,103)
 C 411 (A,144,103)

4

Part No.

RS1/16SS473J
 RS1/16SS682J
 RS1/16SS333J
 RS1/4SA102J
 RS1/4SA122J
 RS1/16SS122J

RS1/16SS223J
 RS1/16SS153J

CKSRYB105K10
 CKSRYB105K10
 CKSRYB105K10
 CKSRYB105K10
 CKSRYB105K10

CKSRYB105K10
 CKSSYB104K10
 CKSSYB104K10
 CCG1192
 CCSSCH151J50

CCSSCH151J50
 CCG1192
 CKSSYB104K10
 CKSSYB104K10
 CKSSYB104K10

CCG1192
 CKSSYB104K10
 XCEVW470M16
 CCG1192
 CCG1192

CKSSYB102K50
 DCH1246
 CKSSYB104K10
 CKSSYB102K50
 DCH1246

CKSRYB105K10
 DCH1201
 DCH1201
 CCSSCH101J50
 CCSSCH101J50

DCH1201
 DCH1201
 CCSSCH101J50
 CCSSCH101J50
 CKSSYB104K10

CKSSYB103K16
 CKSRYB474K10
 CKSRYB474K10
 CKSRYB474K10
 CKSRYB474K10

CCG1205
 CKSRYB104K16
 DCH1263
 CKSRYB104K16
 CKSRYB105K10

CCG1205
 CKSSYB104K10
 CKSSYB224K6R3
 CCSSCH220J50
 CCSSCH331J50

5		6		7		8	
<u>Circuit Symbol and No.</u>		<u>Part No.</u>		<u>Circuit Symbol and No.</u>		<u>Part No.</u>	
C 414	(A,138,88)	CKSSYB102K50		C 672	(A,122,72) 1 uF	DCH1246	
C 416	(A,139,97) (E)	CCSSCH120J50		C 683	(A,119,93)	CCSSCJ3R0C50	
C 417	(A,138,97) (E)	CCSSCK1R0C50		C 685	(A,118,98) (E)	CKSRYB105K10	A
C 418	(A,139,102) (E)	CCSSCK2R0C50		C 687	(A,121,96)	CKSRYB105K10	
C 419	(A,139,103) (E)	CCSSCK1R0C50		C 701	(A,110,39)	CKSSYB103K16	
C 420	(A,145,107)	CCSSCH471J50		C 704	(A,118,38)	CCSSCH100D50	
C 422	(A,139,85)	CKSSYB152K50		C 705	(A,117,38)	CCSSCH100D50	
C 425	(A,148,88)	CCSSCH390J50		C 706	(A,115,37)	CCSSCH100D50	
C 428	(A,141,89)	CKSSYB104K10		C 710	(A,122,47)	CKSRYB104K16	
C 430	(A,147,91)	CKSSYB102K50		C 752	(A,138,135)	CKSSYB104K10	
C 434	(A,152,103)	CCSSCH100D50		C 753	(A,146,129) 10 uF	DCH1201	
C 442	(A,143,79) 10 uF	DCH1201		C 754	(A,136,112) (C,D,E)	CKSSYB102K50	
C 452	(A,154,78)	CKSRYB104K16		C 801	(A,122,5)	CCSRCH102J50	
C 453	(A,158,71)	CKSRYB105K10		C 806	(A,123,7)	CKSRYB104K16	
C 455	(A,143,74) (A,B)	CKSSYB102K50		C 807	(A,120,13)	CKSRYB105K10	B
C 456	(A,143,75) 1 uF	DCH1246		C 808	(A,107,18)	CKSRYB104K16	
C 458	(A,138,80)	CKSSYB102K50		C 809	(A,95,15)	CCSRCH221J50	
C 459	(A,149,105)	CKSRYB104K16		C 810	(A,95,12)	CCSRCH221J50	
C 463	(A,140,74) (E)	CKSSYB104K10		C 811	(A,102,20)	CKSSYB104K10	
C 531	(A,90,88)	CKSSYB104K10		C 871	(A,146,60)	CKSSYB104K16	
C 532	(A,92,87)	CKSSYB104K10		C 873	(A,122,23)	CCSRCH101J50	
C 551	(A,11,120)	XCEVW221M16		C 891	(A,51,137) (C,D,E)	CKSRYB104K16	
C 552	(A,11,106)	CKSRYB105K16		C 892	(A,32,138) (C,D,E)	CKSRYB104K16	
C 553	(A,13,109)	CKSSYB103K16		C 901	(A,131,123) 2 200 uF/16 V	CCH2040	
C 555	(A,23,111)	CKSSYB682K25		C 911	(A,137,116)	CKSRYB104K16	C
C 556	(A,30,119)	CEVQW221M6R3		C 912	(A,150,39)	CKSSYB102K50	
C 557	(A,31,115)	CKSRYB105K10		C 913	(A,129,42)	CKSSYB102K50	
C 560	(A,107,20)	CKSRYB105K10		C 914	(A,155,55)	XCEAT102M16	
C 561	(A,101,23)	CKSRYB105K10		C 915	(A,131,41)	CKSRYB104K16	
C 564	(A,31,113) 4.7 uF	CCG1201		C 916	(A,146,42) 10 uF	DCH1201	
C 565	(A,13,105) 4.7 uF	CCG1222		C 917	(A,144,45)	CKSSYB102K50	
C 601	(A,103,64)	CKSSYB104K10		C 919	(A,149,40) 10 uF	DCH1201	
C 602	(A,107,64)	CKSSYB104K10		C 921	(A,133,41) 10 uF	DCH1201	
C 603	(A,110,64)	CKSSYB104K10		C 923	(A,158,40) 10 uF	DCH1201	
C 604	(A,111,64)	CKSSYB104K10		C 926	(A,138,43) 10 uF	DCH1201	
C 605	(A,115,64)	CKSSYB104K10		C 927	(A,138,41)	CKSSYB102K50	D
C 606	(A,120,70)	CKSSYB104K10		C 941	(A,95,124)	CKSRYB104K16	
C 607	(A,125,72)	CCSSCH120J50		C 1013	(A,136,76)	CKSRYB104K16	
C 608	(A,125,77)	CCSSCH120J50					
C 609	(A,120,72) (A,B,C,D) (A,120,72) (E)	CKSSYB104K10 CCSSCH101J50					
C 610	(A,120,74) (A,B,C,D) (A,120,74) (E)	CKSSYB104K10 CKSSYB102K50					
C 611	(A,120,76)	CKSSYB102K50					
C 612	(A,121,81)	CKSSYB104K10					
C 613	(A,122,81)	CKSSYB104K10					
C 620	(A,112,87)	CKSSYB104K10					
C 621	(A,107,87)	CKSSYB104K10		IC 1801	(B,83,20) IC	PD6586A8	
C 622	(A,104,92)	CCSSCH220J50		IC 1941	(A,156,37) IR RC REC Module	SIR8440B5	
C 623	(A,105,87)	CKSSYB104K10		D 1951	(A,63,20) LED	SWBA05(FI231719)	
C 624	(A,104,87)	CKSSYB104K10		D 1968	(A,10,17) LED	FC-1608SXX630D08	
C 625	(A,102,89)	CKSSYB104K10		D 1969	(A,52,7) LED	FC-1608SXX630D08	
C 626	(A,98,79)	CKSSYB104K10		D 1970	(A,51,30) LED	FC-1608SXX630D08	
C 627	(A,95,80)	CCSSCH220J50		D 1971	(A,12,29) LED	FC-1608SXX630D08	
C 628	(A,94,79)	CCSSCH220J50		D 1972	(A,12,5) LED	FC-1608SXX630D08	
C 629	(A,98,74)	CKSSYB104K10		D 1973	(A,73,3) LED	FC-1608SXX630D08	
C 630	(A,97,72)	CKSSYB103K16		D 1974	(A,59,3) LED	FC-1608SXX630D08	
C 631	(A,95,76)	CCSSCH220J50		D 1975	(A,108,3) LED	FC-1608SXX630D08	F
C 635	(A,111,98) (C,D,E)	CKSSYB104K10		D 1976	(A,98,3) LED	FC-1608SXX630D08	
C 641	(A,95,88)	CCSRCH330J50		D 1977	(A,87,3) LED	FC-1608SXX630D08	
				D 1978	(A,139,3) LED	FC-1608SXX630D08	

B
Unit Number :
Unit Name : Keyboard Unit

MISCELLANEOUS

1

2

3

4

Circuit Symbol and No.**Part No.****Circuit Symbol and No.****Part No.**

D 1979	(A,129,3) LED	FC-1608SXX630D08
D 1980	(A,118,3) LED	FC-1608SXX630D08
D 1981	(A,53,20) LED	FC-1608SXX630D08
D 1982	(A,9,39) LED	FC-1608SXX630D08
X 1801	(B,68,23) Ceramic Resonator 5.00 MHz	CSS1547
S 1839	(A,32,18) Encoder(MULTI-CONTROL)	CSD1193
CN1931	(B,107,7) Connector	CKS6451
JA1911	(A,157,23) Connector	CKS6443
JA1921	(A,153,7) Jack	CKN1090
V 1801	(A,140,30) LCD	CAW2055

CN101	(A,17,58) Connector	CKS4808
CN701	(A,26,30) Connector	CKS6146

RESISTORS

R 101	(B,7,59)	RS1/10SR2R4J
R 102	(B,8,59)	RS1/10SR2R4J
R 103	(B,10,59)	RS1/10SR2R7J
R 108	(B,14,58)	RS1/16SS105J
R 109	(B,15,50)	RS1/16SS152J
R 214	(B,18,28)	RS1/16SS103J
R 215	(B,17,28)	RS1/16SS393J
R 216	(B,13,36)	RS1/16SS102J
R 217	(B,10,33)	RS1/16SS562J
R 218	(B,10,36)	RS1/16SS472J
R 229	(B,13,35)	RS1/16SS471J
R 232	(A,31,55)	RS1/16SS0R0J
R 237	(B,34,45)	RS1/16SS221J
R 240	(B,35,40)	RS1/16SS473J
R 245	(A,34,46)	RS1/16SS104J
R 254	(A,37,56)	RS1/16SS104J
R 260	(B,30,27)	RS1/16SS103J
R 264	(A,22,9)	RS1/16SS102J
R 281	(B,34,38)	RS1/16SS560J
R 282	(B,34,39)	RS1/16SS560J
R 291	(B,34,35)	RS1/16SS560J
R 294	(B,28,49)	RS1/16SS471J
R 303	(A,28,12)	RS1/16SS123J
R 304	(A,29,11)	RS1/16SS123J
R 305	(A,27,9)	RS1/16SS102J
R 306	(A,27,12)	RS1/16SS472J
R 307	(A,26,9)	RS1/16SS102J
R 308	(A,26,12)	RS1/16SS472J
R 309	(A,35,7)	RS1/16SS473J
R 310	(B,31,9)	RS1/16SS472J
R 311	(B,31,10)	RS1/16SS472J
R 312	(B,31,11)	RS1/16SS472J
R 313	(B,31,12)	RS1/16SS472J
R 701	(A,22,38)	RS1/16SS101J
R 702	(A,24,38)	RS1/16SS101J
R 706	(A,33,42)	RS1/16SS221J

RESISTORS

R 1801	(B,88,11)	RS1/10SR473J
R 1802	(B,63,19)	RS1/10SR473J
R 1803	(B,73,22)	RS1/10SR222J
R 1805	(B,46,25)	RS1/10SR473J
R 1806	(B,48,26)	RS1/10SR473J
R 1807	(B,46,29)	RS1/10SR473J
R 1808	(B,45,29)	RS1/10SR473J
R 1823	(B,44,25)	RS1/10SR273J
R 1921	(B,130,7)	RS1/10SR0R0J
R 1922	(B,127,10)	RS1/10SR0R0J
R 1923	(B,128,4)	RS1/10SR0R0J
R 1931	(B,45,16)	RS1/10SR222J
R 1932	(B,39,8)	RS1/10SR222J
R 1944	(B,131,25)	RS1/10SR101J
R 1951	(B,57,19)	RS1/4SA151J
R 1952	(B,57,21)	RS1/4SA151J
R 1975	(B,10,17)	RS1/10SR562J
R 1976	(B,12,17)	RS1/10SR0R0J
R 1978	(B,50,13)	RS1/10SR102J
R 1980	(B,14,25)	RS1/10SR272J
R 1982	(B,82,7)	RS1/10SR122J
R 1984	(B,57,12)	RS1/10SR821J
R 1986	(B,137,17)	RS1/10SR821J
R 1988	(B,49,22)	RS1/10SR122J
R 1990	(B,20,30)	RS1/10SR152J
R 1996	(B,60,7)	RS1/10SR0R0J

CAPACITORS

C 1806	(B,66,22)	CKSRYB104K16
C 1807	(B,64,22)	CKSRYB105K10
C 1912	(B,142,20)	CKSRYB102K50
C 1941	(B,135,28) 10 uF	CCG1192

CAPACITORS

C 104	(B,15,52)	CKSQYB475K6R3
C 110	(B,11,44)	CKSSYB104K10
C 111	(B,12,44)	CKSSYB103K16
C 203	(B,22,47)	CKSSYB104K10
C 205	(A,17,41)	CKSRYB105K10
C 209	(B,29,48)	CKSRYB104K16
C 210	(B,33,44)	CKSSYB104K10
C 211	(B,34,42)	CKSSYB104K10
C 212	(B,23,29)	CKSSYB104K10
C 213	(B,18,26)	CKSSYB332K50
C 214	(B,17,26)	CKSSYB473K16
C 215	(B,19,29)	CKSSYB104K10
C 216	(B,13,33)	CKSSYB152K50
C 217	(B,10,35)	CCSSCH390J50
C 218	(B,10,37)	CCSSCH5R0C50
C 219	(B,14,35)	CKSSYB104K10
C 220	(A,18,39)	CKSSYB104K10

MISCELLANEOUS

IC 201	(B,24,38) IC	PEQ094A
IC 301	(A,37,12) IC	BD8223EFV
Q 101	(B,12,54) Transistor	2SA1577
Q 102	(B,16,55) Chip Digital Transistor	LTA123JUB
X 201	(B,25,50) Ceramic Resonator 16.934 MHz	CSS1603
S 901	(A,43,54) Spring Switch(HOME)	CSN1080
S 903	(B,22,13) Spring Switch(DSCSNS)	CSN1081

1

2

3

4

5		6		7	8
<u>Circuit Symbol and No.</u>		<u>Part No.</u>			
C 221	(B,14,32)	CKSSYB104K10			
C 222	(B,14,37)	CKSSYB104K10			
C 223	(B,13,42)	CCSSCH680J50			
C 224	(B,14,45)	CCSSCH470J50			A
C 225	(B,14,47)	CKSSYB103K16			
C 228	(B,10,34)	CCSSCH180J50			
C 229	(B,9,41)	CKSSYB104K10			
C 233	(B,33,46)	CKSSYB103K16			
C 236	(B,8,41)	CKSSYB104K10			
C 238	(A,26,45)	CKSRYB104K16			
C 299	(A,26,43)	CKSSYB104K10			
C 302	(B,29,12)	CKSSYB102K50			
C 303	(B,30,12)	CKSSYB102K50			
C 304	(B,28,12)	CKSSYB223K16			B
C 305	(B,27,12)	CKSSYB104K10			
C 306	(A,32,7)	CKSSYB104K10			
C 307	(A,42,19)	CKSRYB105K10			
C 308	(A,32,16)	CKSRYB105K10			
C 710	(A,34,43)	CKSSYB102K50			

A
B
C
D
E
F