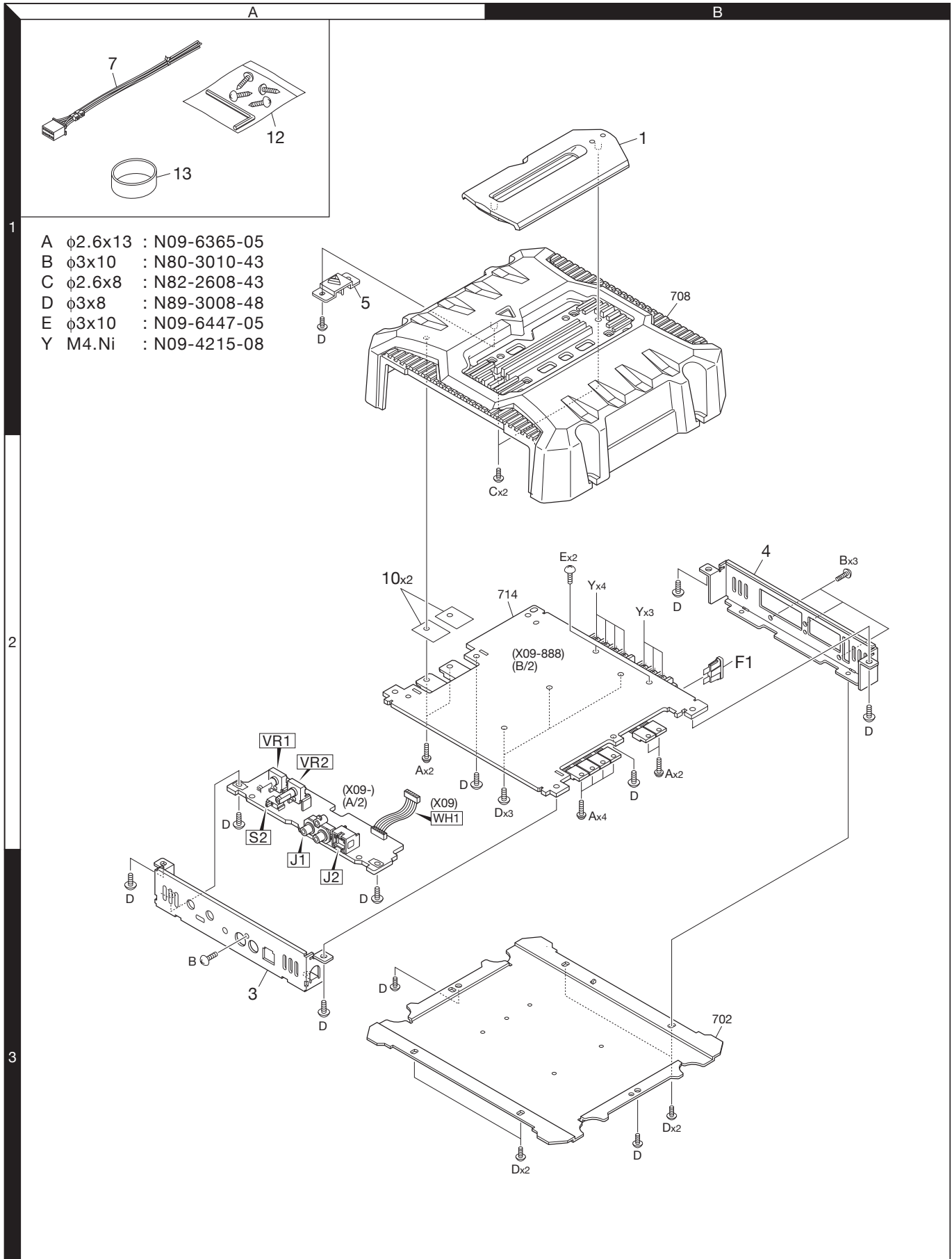


# KAC-6104D/M615D

## EXPLODED VIEW



- A  $\phi 2.6 \times 13$  : N09-6365-05
- B  $\phi 3 \times 10$  : N80-3010-43
- C  $\phi 2.6 \times 8$  : N82-2608-43
- D  $\phi 3 \times 8$  : N89-3008-48
- E  $\phi 3 \times 10$  : N09-6447-05
- Y M4.Ni : N09-4215-08

Parts with the exploded numbers larger than 700 are not supplied.

# KAC-6104D/M615D

## PARTS LIST

\* New parts

Parts without **Parts No.** are not supplied.

Les articles non mentionnés dans le **Parts No.** ne sont pas fournis.

Teile ohne **Parts No.** werden nicht geliefert.

Ref. No.	Add	New	Parts No.	Description	Destination	Ref. No.	Add	New	Parts No.	Description	Destination	
<b>KAC-6104D/M615D</b>						C151,152		*	CD04BN1H100M	ELECTRO	10UF	50WV
1	1B	*	A21-6691-02	DRESSING PANEL	K	C201			CK73GB1H683K	CHIP C	0.068UF	K
1	1B	*	A21-6692-02	DRESSING PANEL	E1	C202			CK73GB1H333K	CHIP C	0.033UF	K
1	1B	*	A21-6693-02	DRESSING PANEL	M1	C203		*	CD04BN1H100M	ELECTRO	10UF	50WV
3	3A	*	A64-4749-02	PANEL		C204,205			CK73GB1H103K	CHIP C	0.010UF	K
4	2B	*	A84-0532-02	REAR PANEL		C206		*	CD04BN1H470M	ELECTRO	47UF	50WV
5	1A		B19-2324-03	LIGHTING BOARD		C301		*	CD04BN1H100M	ELECTRO	10UF	50WV
-		*	B64-4191-00	INSTRUCTION MANUAL (ENG.FRE.SPA)	KE1	C302		*	CD04BN1H010M	ELECTRO	1UF	50WV
-		*	B64-4192-00	INSTRUCTION MANUAL (G.D.I.P.)	E1	C303			CK73GB1H104K	CHIP C	0.10UF	K
-		*	B64-4193-00	INSTRUCTION MANUAL (ENG.S-CHI.)	M1	C304			CC73GCH1H470J	CHIP C	47PF	J
7	1A		E30-6145-05	CONNECTING CORD ASSY		C306			CK73GB1H102K	CHIP C	1000PF	K
10	2A		F20-2450-04	INSULATING SHEET		C307			CC73GCH1H331J	CHIP C	330PF	J
F1	2B	*	F52-0045-05	FUSE (BLADE TYPE) 30A		C308-310			CK73GB1H103K	CHIP C	0.010UF	K
-		*	H54-4507-03	ITEM CARTON CASE	K	C311		*	CD04BN1H470M	ELECTRO	47UF	50WV
-		*	H54-4508-03	ITEM CARTON CASE	M1	C312			CC73GCH1H470J	CHIP C	47PF	J
-		*	H54-4509-03	ITEM CARTON CASE	E1	C313			CC73GCH1H560J	CHIP C	56PF	J
12	1A		N99-1587-15	SCREW SET		C314			CK73GB1H103K	CHIP C	0.010UF	K
A	2B		N09-6365-05	SEMS (TAPTITE SCREW) (2.6X13)		C315			CK73GB1H682K	CHIP C	6800PF	K
B	2B		N80-3010-43	PAN HEAD TAPTITE SCREW		C321			CK73GB1H223K	CHIP C	0.022UF	K
C	2B		N82-2608-43	BINDING HEAD TAPTITE SCREW		C394		*	CQ92FMH1H332J	MYLAR	0.0H33UF	J
D	3B		N89-3008-48	BINDING HEAD TAPTITE SCREW		C395			C91-2292-05	CHIP C	0.047UF	200WV
Y	3B		N09-4215-08	SCREW (TERMINAL) (M4,Ni)		C396			C91-2295-05	CHIP C	1500PF	K
13	1A		W01-1607-05	ACCESSORIES		C397-399			C91-2290-05	CHIP C	4.7UF	250WV
<b>AUDIO UNIT (X09-8880-10)</b>						C601,602			CK73GB1H472K	CHIP C	4700PF	K
D11			B30-1743-05	LED (RED LED)		C603-605			CK73GB1H104K	CHIP C	0.10UF	K
C1			CD04AU1H100M	NP ELEC	10UF	50WV			CK73GB1H102K	CHIP C	1000PF	K
C2 ,3		*	CD04BN1H100M	ELECTRO	10UF	50WV			CK73GB1H473K	CHIP C	0.047UF	K
C4			CK73GB1H103K	CHIP C	0.010UF	K			CK73GB1H103K	CHIP C	0.010UF	K
C5			CK73GB1H102K	CHIP C	1000PF	K		*	CD04BN1H470M	ELECTRO	47UF	50WV
C6		*	CD04BN1H100M	ELECTRO	10UF	50WV		*	CD04BN1H100M	ELECTRO	10UF	50WV
C7		*	CD04BN1H470M	ELECTRO	47UF	50WV			CK73GB1H103K	CHIP C	0.010UF	K
C8			CK73GB1H103K	CHIP C	0.010UF	K		*	CD04BN1H100M	ELECTRO	10UF	50WV
C9			CD04AU1H100M	NP ELEC	10UF	50WV		*	CD04BN1HR47M	ELECTRO	0.47UF	50WV
C10		*	C90-6876-05	ELECTRO	4700UF	16WV		*	CD04BN1A221M	ELECTRO	220UF	10WV
C11			CK73GB1H682K	CHIP C	6800PF	K			CK73GB1H104K	CHIP C	0.10UF	K
C12 ,13			C91-2293-05	CHIP C	1000PF	200WV		*	CD04BN1H100M	ELECTRO	10UF	50WV
C14 ,15		*	C90-6877-05	ELECTRO	1200UF	63WV			CK73GB1H102K	CHIP C	1000PF	K
C16 -22		*	CD04BN1H470M	ELECTRO	47UF	50WV			CK73GB1H104K	CHIP C	0.10UF	K
C23		*	CD04BN1H100M	ELECTRO	10UF	50WV			E41-1686-05	PIN ASSY		
C24			CK73FB1C105K	CHIP C	1.0UF	K		*	E63-0964-05	PIN JACK		
C25			CK73GB1H103K	CHIP C	0.010UF	K		*	E58-1120-05	RECTANGULAR RECEPTACLE		
C100-102			CK73GB1H102K	CHIP C	1000PF	K			E70-0830-25	SCREW TERMINAL BOARD		
C103,104		*	CD04BN1H100M	ELECTRO	10UF	50WV		*	E39-1067-05	WIRING HARNESS		
C105			CC73GCH1H330J	CHIP C	33PF	J			L1	L33-2444-05	CHOKE COIL	
C106			CC73GCH1H101J	CHIP C	100PF	J		*	L2	L19-0831-05	TRANSFORMER FOR CONVERTER	
C107			CC73GCH1H150J	CHIP C	15PF	J		*	L3	L33-2511-05	CHOKE COIL	
C108			CC73GCH1H101J	CHIP C	100PF	J			E	N09-6447-05	TAPTITE SCREW (3X10 PT)	
C109-111			CK73GB1H103K	CHIP C	0.010UF	K			R1	RK73GB2A392J	CHIP R	3.9K J 1/10W
C112,113			CK73FB1C105K	CHIP C	1.0UF	K			R2 ,3	RK73EB2E392J	CHIP R	3.9K J 1/4W
C114			CK73GB1H102K	CHIP C	1000PF	K			R4	RK73GB2A333J	CHIP R	33K J 1/10W
									R5	RK73GB2A392J	CHIP R	3.9K J 1/10W
									R6	RK73GB2A152J	CHIP R	1.5K J 1/10W
									R7	RK73GB2A682J	CHIP R	6.8K J 1/10W

E1: KAC-6104D (Europe) K: KAC-6104D (North America) M1: KAC-M615D (Other Areas)

△ Indicates safety critical components.

# KAC-6104D/M615D

## PARTS LIST

### AUDIO UNIT (X09-8880-10)

Ref. No.	A d d	N e w	Parts No.	Description	Desti- nation
R8			RK73EB2E333J	CHIP R 33K J 1/4W	
R9			RK73GB2A472J	CHIP R 4.7K J 1/10W	
R10			RK73EB2E123J	CHIP R 12K J 1/4W	
R11			RK73GB2A333J	CHIP R 33K J 1/10W	
R12			RK73GB2A103J	CHIP R 10K J 1/10W	
R13			RK73GB2A753J	CHIP R 75K J 1/10W	
R14			RK73GB2A101J	CHIP R 100 J 1/10W	
R15			RK73EB2E152J	CHIP R 1.5K J 1/4W	
R16 -18			RK73GB2A103J	CHIP R 10K J 1/10W	
R19			RK73GB2A183J	CHIP R 18K J 1/10W	
R20			RK73GB2A102J	CHIP R 1.0K J 1/10W	
R21			RK73GB2A103J	CHIP R 10K J 1/10W	
R22			RK73GB2A104J	CHIP R 100K J 1/10W	
R23 ,24			RK73GB2A472J	CHIP R 4.7K J 1/10W	
R25			RK73GB2A471J	CHIP R 470 J 1/10W	
R26			RK73GB2A103J	CHIP R 10K J 1/10W	
R27			RK73GB2A622J	CHIP R 6.2K J 1/10W	
R28			RK73GB2A334J	CHIP R 330K J 1/10W	
R29			RK73GB2A103J	CHIP R 10K J 1/10W	
R30 ,31			RK73GB2A152J	CHIP R 1.5K J 1/10W	
R32 ,33			RK73GB2A560J	CHIP R 56 J 1/10W	
R34 ,35			RK73GB2A472J	CHIP R 4.7K J 1/10W	
R36 -39			RK73GB2A470J	CHIP R 47 J 1/10W	
R40			RK73PB2H100J	CHIP R 10 J 1/2W	
R41 ,42			RK73PB2H220J	CHIP R 22 J 1/2W	
R43 ,44			RK73EB2E473J	CHIP R 47K J 1/4W	
R45 ,46			RK73EB2E153J	CHIP R 15K J 1/4W	
R47			RK73GB2A100J	CHIP R 10 J 1/10W	
R48			RK73GB2A821J	CHIP R 820 J 1/10W	
R49			RK73GB2A472J	CHIP R 4.7K J 1/10W	
R50			RK73GB2A103J	CHIP R 10K J 1/10W	
R51			RK73GB2A153J	CHIP R 15K J 1/10W	
R52 ,53			RK73EB2E820J	CHIP R 82 J 1/4W	
R54			RK73GB2A562J	CHIP R 5.6K J 1/10W	
R55			RK73GB2A563J	CHIP R 56K J 1/10W	
R100-102			RK73EB2E102J	CHIP R 1.0K J 1/4W	
R103,104			RK73GB2A103J	CHIP R 10K J 1/10W	
R105,106			RK73GB2A273J	CHIP R 27K J 1/10W	
R107			RK73GB2A102J	CHIP R 1.0K J 1/10W	
R108			RK73GB2A153J	CHIP R 15K J 1/10W	
R109			RK73GB2A103J	CHIP R 10K J 1/10W	
R110			RK73GB2A333J	CHIP R 33K J 1/10W	
R111-114			RK73GH2A103D	CHIP R 10K D 1/10W	
R151,152			RK73EB2E222J	CHIP R 2.2K J 1/4W	
R153-156		*	RK73EB2E204J	CHIP R 200K J 1/4W	
R201,202			RK73GB2A163J	CHIP R 16K J 1/10W	
R203			RK73GB2A431J	CHIP R 430 J 1/10W	
R204			RK73GB2A202J	CHIP R 2.0K J 1/10W	
R205			RK73GB2A103J	CHIP R 10K J 1/10W	
R206			RK73GB2A112J	CHIP R 1.1K J 1/10W	
R207			RK73GB2A103J	CHIP R 10K J 1/10W	
R208			RK73GB2A221J	CHIP R 220 J 1/10W	
R301			RK73GB2A153J	CHIP R 15K J 1/10W	
R302			RK73GB2A103J	CHIP R 10K J 1/10W	
R303			RK73GB2A123J	CHIP R 12K J 1/10W	

Ref. No.	A d d	N e w	Parts No.	Description	Desti- nation
R304-306			RK73GB2A103J	CHIP R 10K J 1/10W	
R307			RK73GB2A302J	CHIP R 3.0K J 1/10W	
R308			RK73GB2A333J	CHIP R 33K J 1/10W	
R309			RK73GB2A102J	CHIP R 1.0K J 1/10W	
R310			RK73GB2A471J	CHIP R 470 J 1/10W	
R311			RK73GB2A102J	CHIP R 1.0K J 1/10W	
R312			RK73GB2A684J	CHIP R 680K J 1/10W	
R313			RK73GB2A683J	CHIP R 68K J 1/10W	
R314			RK73GB2A103J	CHIP R 10K J 1/10W	
R315			RK73EB2E243J	CHIP R 24K J 1/4W	
R316			RK73GB2A103J	CHIP R 10K J 1/10W	
R318			RK73GB2A103J	CHIP R 10K J 1/10W	
R319			RK73GB2A682J	CHIP R 6.8K J 1/10W	
R320,321			RK73GB2A103J	CHIP R 10K J 1/10W	
R322			RK73GB2A750J	CHIP R 75 J 1/10W	
R323,324			RK73GB2A622J	CHIP R 6.2K J 1/10W	
R325			RK73GB2A392J	CHIP R 3.9K J 1/10W	
R326			RK73GB2A103J	CHIP R 10K J 1/10W	
R327			RK73EB2E681J	CHIP R 680 J 1/4W	
R328			RK73GB2A112J	CHIP R 1.1K J 1/10W	
R329-332			RK73GB2A103J	CHIP R 10K J 1/10W	
R333			RK73GB2A182J	CHIP R 1.8K J 1/10W	
R334,335			RK73GB2A472J	CHIP R 4.7K J 1/10W	
R336			RK73GB2A182J	CHIP R 1.8K J 1/10W	
R337			RK73GB2A681J	CHIP R 680 J 1/10W	
R338			RK73GB2A911J	CHIP R 910 J 1/10W	
R339			RK73GB2A471J	CHIP R 470 J 1/10W	
R340			RK73GB2A751J	CHIP R 750 J 1/10W	
R341			RK73GB2A681J	CHIP R 680 J 1/10W	
R342			RK73GB2A510J	CHIP R 51 J 1/10W	
R343			RK73EB2E151J	CHIP R 150 J 1/4W	
R344			RK73EB2E181J	CHIP R 180 J 1/4W	
R345-348			RK73EB2E510J	CHIP R 51 J 1/4W	
R349,350			RK73GB2A473J	CHIP R 47K J 1/10W	
R351,352			RK73EB2E100J	CHIP R 10 J 1/4W	
R353			RS14KB3D4R7JP	FL-PROOF RS 4.7 J 2W	
R601			RK73GB2A103J	CHIP R 10K J 1/10W	
R602			RK73GB2A332J	CHIP R 3.3K J 1/10W	
R603			RK73GB2A153J	CHIP R 15K J 1/10W	
R604		*	R92-5239-05	METAL PR 0.05 5W	
R606			RK73GB2A103J	CHIP R 10K J 1/10W	
R607			RK73GB2A153J	CHIP R 15K J 1/10W	
R608			RK73GB2A332J	CHIP R 3.3K J 1/10W	
R609			RK73GB2A223J	CHIP R 22K J 1/10W	
R610			RK73GB2A222J	CHIP R 2.2K J 1/10W	
R611-614			RK73GB2A103J	CHIP R 10K J 1/10W	
R615			RK73GB2A473J	CHIP R 47K J 1/10W	
R616			RK73GB2A103J	CHIP R 10K J 1/10W	
R617			R92-5161-05	METAL PR 0.02 5W	
R618,619			RK73GB2A332J	CHIP R 3.3K J 1/10W	
R620			R92-5161-05	METAL PR 0.02 5W	
R621			RK73GB2A514J	CHIP R 510K J 1/10W	
R622			RK73GB2A472J	CHIP R 4.7K J 1/10W	
R623,624			RK73GB2A222J	CHIP R 2.2K J 1/10W	
R625			RK73GB2A363J	CHIP R 36K J 1/10W	

E1: KAC-6104D (Europe) K: KAC-6104D (North America) M1: KAC-M615D (Other Areas)

△Indicates safety critical components.

# KAC-6104D/M615D

## PARTS LIST

### AUDIO UNIT (X09-8880-10)

Ref. No.	Add	New	Parts No.	Description	Destination	Ref. No.	Add	New	Parts No.	Description	Destination
R626			RK73GB2A103J	CHIP R 10K J 1/10W		W205-209			R92-2053-05	CHIP R 0 OHM J 1/8W	
R627			RK73GB2A102J	CHIP R 1.0K J 1/10W		W210-214			RK73GB2A000J	CHIP R 0.0 J 1/10W	
R628			RK73GB2A334J	CHIP R 330K J 1/10W		W215			R92-2053-05	CHIP R 0 OHM J 1/8W	
R629			RK73GB2A102J	CHIP R 1.0K J 1/10W		W216-220			RK73GB2A000J	CHIP R 0.0 J 1/10W	
R630,631			RK73GB2A103J	CHIP R 10K J 1/10W		W221-223			R92-2053-05	CHIP R 0 OHM J 1/8W	
R632,633			RK73GB2A203J	CHIP R 20K J 1/10W		W224			RK73GB2A000J	CHIP R 0.0 J 1/10W	
R634			RK73GB2A103J	CHIP R 10K J 1/10W		W225			R92-2053-05	CHIP R 0 OHM J 1/8W	
R635			RK73GB2A104J	CHIP R 100K J 1/10W		W226,227			RK73GB2A000J	CHIP R 0.0 J 1/10W	
R636			RK73GB2A223J	CHIP R 22K J 1/10W		W228,229			R92-2053-05	CHIP R 0 OHM J 1/8W	
R637			RK73GB2A103J	CHIP R 10K J 1/10W		W230,231			RK73GB2A000J	CHIP R 0.0 J 1/10W	
R638,639			RK73GB2A472J	CHIP R 4.7K J 1/10W		W232,233			R92-2053-05	CHIP R 0 OHM J 1/8W	
R640			RK73GB2A104J	CHIP R 100K J 1/10W		W234-236			RK73GB2A000J	CHIP R 0.0 J 1/10W	
R641			RK73GB2A154J	CHIP R 150K J 1/10W		W237-239			R92-2053-05	CHIP R 0 OHM J 1/8W	
R642,643			RK73GB2A103J	CHIP R 10K J 1/10W		W240,241			RK73GB2A000J	CHIP R 0.0 J 1/10W	
R644			RK73GB2A302J	CHIP R 3.0K J 1/10W		W242			R92-2053-05	CHIP R 0 OHM J 1/8W	
R645			RK73GB2A473J	CHIP R 47K J 1/10W		W243-245			RK73GB2A000J	CHIP R 0.0 J 1/10W	
R646			RK73GB2A682J	CHIP R 6.8K J 1/10W		W246,247			R92-2053-05	CHIP R 0 OHM J 1/8W	
R647			RK73GB2A183J	CHIP R 18K J 1/10W		W248			RK73GB2A000J	CHIP R 0.0 J 1/10W	
R648,649			RK73GB2A103J	CHIP R 10K J 1/10W		W249-251			R92-2053-05	CHIP R 0 OHM J 1/8W	
R650			RK73GB2A242J	CHIP R 2.4K J 1/10W		W252-254			RK73GB2A000J	CHIP R 0.0 J 1/10W	
R651			RK73GB2A154J	CHIP R 150K J 1/10W		W255-259			R92-2053-05	CHIP R 0 OHM J 1/8W	
R652			RK73GB2A682J	CHIP R 6.8K J 1/10W		W260			RK73GB2A000J	CHIP R 0.0 J 1/10W	
R653			RK73GB2A183J	CHIP R 18K J 1/10W		W261			R92-2053-05	CHIP R 0 OHM J 1/8W	
R654			RK73GB2A100J	CHIP R 10 J 1/10W		W262-267			RK73GB2A000J	CHIP R 0.0 J 1/10W	
R655			RK73GB2A473J	CHIP R 47K J 1/10W		W268			R92-2053-05	CHIP R 0 OHM J 1/8W	
R656			RK73GB2A103J	CHIP R 10K J 1/10W		W269-273			RK73GB2A000J	CHIP R 0.0 J 1/10W	
R657			RK73GB2A471J	CHIP R 470 J 1/10W		W274,275			R92-2053-05	CHIP R 0 OHM J 1/8W	
R658			RK73GB2A223J	CHIP R 22K J 1/10W		W276			RK73GB2A000J	CHIP R 0.0 J 1/10W	
R659			RK73GB2A332J	CHIP R 3.3K J 1/10W		W277,278			R92-2053-05	CHIP R 0 OHM J 1/8W	
R660,661			RK73GB2A103J	CHIP R 10K J 1/10W		W279			RK73GB2A000J	CHIP R 0.0 J 1/10W	
R662			RK73GB2A473J	CHIP R 47K J 1/10W		W280			R92-2053-05	CHIP R 0 OHM J 1/8W	
R663			RK73GB2A103J	CHIP R 10K J 1/10W		W281-284			RK73GB2A000J	CHIP R 0.0 J 1/10W	
R664			RK73GB2A183J	CHIP R 18K J 1/10W		S2			S62-0842-05	SLIDE SWITCH	
R665			RK73GB2A223J	CHIP R 22K J 1/10W		D1			1N5406-TSC	DIODE	
R666,667			RK73GB2A473J	CHIP R 47K J 1/10W		D3			UDZW6.8 (B)	ZENER DIODE	
R668,669			RK73GB2A123J	CHIP R 12K J 1/10W		D4			UDZW15 (B)	ZENER DIODE	
R700			RK73GB2A102J	CHIP R 1.0K J 1/10W		D5 ,6			1SS133	DIODE	
R701			RK73GB2A392J	CHIP R 3.9K J 1/10W		D7			UDZW10 (B)	ZENER DIODE	
R702			RK73GB2A103J	CHIP R 10K J 1/10W		D8 -10			1SS355	DIODE	
R703,704			RK73GB2A222J	CHIP R 2.2K J 1/10W		D12 ,13			1SS133	DIODE	
R705			RK73GB2A473J	CHIP R 47K J 1/10W		D14			FCH10A20	DIODE	
R706			RK73GB2A123J	CHIP R 12K J 1/10W		D15			FRH10A20	DIODE	
R707,708			RK73GB2A103J	CHIP R 10K J 1/10W		D16 ,17			UDZW16 (B)	ZENER DIODE	
R709			RK73GB2A163J	CHIP R 16K J 1/10W		D18 -21			1SS133	DIODE	
R710			RK73GB2A152J	CHIP R 1.5K J 1/10W		D22			UDZW15 (B)	ZENER DIODE	
R711,712			RK73GB2A103J	CHIP R 10K J 1/10W		D23			1SS355	DIODE	
R713			RK73GB2A152J	CHIP R 1.5K J 1/10W		D101,102			1SS133	DIODE	
R714			RK73GB2A163J	CHIP R 16K J 1/10W		D103,104			UDZW6.8 (B)	ZENER DIODE	
R715,716			RK73GB2A103J	CHIP R 10K J 1/10W		D201			1SS133	DIODE	
R717,718			RK73GB2A470J	CHIP R 47 J 1/10W		D301			1SS133	DIODE	
VR1		*	R31-0261-05	VARIABLE RESISTOR 50K		D302,303			UDZW5.6 (B)	ZENER DIODE	
VR2		*	R31-0260-05	VARIABLE RESISTOR 10K		D304			UDZW5.1 (B)	ZENER DIODE	
W201,202			RK73GB2A000J	CHIP R 0.0 J 1/10W		D305-308			1SS133	DIODE	
W203			R92-2053-05	CHIP R 0 OHM J 1/8W							
W204			RK73GB2A000J	CHIP R 0.0 J 1/10W							

E1: KAC-6104D (Europe) K: KAC-6104D (North America) M1: KAC-M615D (Other Areas)

△ Indicates safety critical components.

# KAC-6104D/M615D

## PARTS LIST

### AUDIO UNIT (X09-8880-10)

Ref. No.	A d	N e w	Parts No.	Description	Desti- nation	Ref. No.	A d	N e w	Parts No.	Description	Desti- nation
D601			UDZW10 (B)	ZENER DIODE		Q705			2SC4081	TRANSISTOR	
D602,603			1SS133	DIODE		TH1			NCP18WB473J0S	THERMISTOR	
D604			UDZW6.2 (B)	ZENER DIODE		TH2 ,3			NCP18XH103J0S	THERMISTOR	
D605			1SS133	DIODE							
D606			1SS355	DIODE							
D607-610			1SS133	DIODE							
D701			UDZW5.1 (B)	ZENER DIODE							
D702,703			1SS133	DIODE							
IC1 -4			BA4560RF	ANALOGUE IC							
IC5			BA2903F	ANALOGUE IC							
IC6 ,7			SN74HC00D	MOS-IC							
IC8 ,9			BA2903F	ANALOGUE IC							
IC10			TL494IDR	ANALOGUE IC							
Q1			2SB1241	TRANSISTOR							
Q2 ,3			2SC4081	TRANSISTOR							
Q4			2SA1576A	TRANSISTOR							
Q5 ,6			2SC4081	TRANSISTOR							
Q7			2SC4097	TRANSISTOR							
Q8 ,9			2SA1577	TRANSISTOR							
Q10			2SC4097	TRANSISTOR							
Q13 ,14			STP60NF06FP	FET							
Q15			2SD2012-F	TRANSISTOR							
Q16			2SB1375-F	TRANSISTOR							
Q17 ,18			2SA1576A	TRANSISTOR							
Q19			2SD1863	TRANSISTOR							
Q201,202			2SC4081	TRANSISTOR							
Q301-303			2SC4081	TRANSISTOR							
Q304			DTA114EUA	DIGITAL TRANSISTOR							
Q305			2SC4081	TRANSISTOR							
Q306			2SA1576A	TRANSISTOR							
Q307		*	2SA1689 (E,F)	TRANSISTOR							
Q308		*	2SC4449 (E,F)	TRANSISTOR							
Q309		*	2SA1689 (E,F)	TRANSISTOR							
Q310			2SA1370	TRANSISTOR							
Q311			2SC3415S	TRANSISTOR							
Q312			2SC3902	TRANSISTOR							
Q313			2SC3415S	TRANSISTOR							
Q314			2SB1427	TRANSISTOR							
Q315			2SC3902	TRANSISTOR							
Q316			2SB1427	TRANSISTOR							
Q317,318			IRFP250NPBF	FET							
Q601			2SA1163-F	TRANSISTOR							
Q602			2SC2713-F	TRANSISTOR							
Q603			2SA1163-F	TRANSISTOR							
Q604			2SA1576A	TRANSISTOR							
Q605,606			2SC4081	TRANSISTOR							
Q608			DTA114EUA	DIGITAL TRANSISTOR							
Q609		*	2SC4449 (E,F)	TRANSISTOR							
Q610,611		*	2SA1689 (E,F)	TRANSISTOR							
Q612		*	2SC4449 (E,F)	TRANSISTOR							
Q613			2SA1576A	TRANSISTOR							
Q614,615			2SC4081	TRANSISTOR							
Q616			2SA1576A	TRANSISTOR							
Q701,702			2SC4081	TRANSISTOR							
Q703,704			2SA1576A	TRANSISTOR							

E1: KAC-6104D (Europe) K: KAC-6104D (North America) M1: KAC-M615D (Other Areas)

△ Indicates safety critical components.