

MODEL	MARK	MODEL	MARK	MODEL	MARK	MODEL	MARK
DNX7160BTS	R1	DNX773S	K2	DNX8160DABS	E1	DNX8160DABS	X1
DNX8160S	M1	DNX8160SM	M2	DNX893S	K1		

Safe	Symbol No.	Parts No.	Parts Name	Description	QTY	Local
EXPLODED VIEW (UNIT) <M1MM>						
	DC1	E3A-0214-00	DC CORD		1	R1,K2,X1,M1,M2,K1
	DC2	E3A-0215-00	DC CORD		1	E1
	DGB1	CB-16DNXSOC1RN	DIGITAL IO PWB ASSY	XJA-042R-01	1	R1
	DGB1	CB-16DNXSOC2KN	DIGITAL IO PWB ASSY	XJA-042K-02	1	K2
	DGB1	CB-16DNXSOC1EN	DIGITAL IO PWB ASSY	XJA-042E-01	1	E1
	DGB1	CB-16DNXSOC1XN	DIGITAL IO PWB ASSY	XJA-042X-01	1	X1
	DGB1	CB-16DNXSOC1MN	DIGITAL IO PWB ASSY	XJA-042M-01	1	M1,M2
	DGB1	CB-16DNXSOC1KN	DIGITAL IO PWB ASSY	XJA-042K-01	1	K1
△	F1	QMFZ064-150-J1	FUSE	15A	1	
	FC1	E3F-0111-00	FLAT CABLE		1	
	FC2	EF0AD0550X4BC	FLAT CABLE		1	
	FC3	EF0AD0560X4BC	FLAT CABLE		1	
	FC4	EF0AA051503AC	FLAT CABLE		1	
	FC6	E3F-0129-00	FLAT CABLE		1	E1
	FPC1	J8K-0020-00	FLEX P.BOARD		1	R1,K2,K1
	FPC1	J8K-0013-00	FLEX P.BOARD		1	E1,X1,M1,M2
	FPC2	QAL1551-001	FPC		1	
	LCD1	B3H-0015-10	LCD		1	
	PA1	LV11922-055A	FRONT PANEL		1	R1
	PA1	LV11922-054A	FRONT PANEL		1	K2
	PA1	A6D-0017-0B	PANEL		1	E1,X1
	PA1	A6D-0017-0C	PANEL		1	M1,M2
	PA1	A6D-0017-0A	PANEL		1	K1
	PAB1	CB-16DNXSOWKN	PANEL PWB ASSY	LVA11319-02A	1	
	PME1	A1A-0073-30	PANEL MECHA ASSY		1	
	RC1	QAL1553-001	REMOCON		1	R1,X1,M1,M2
	TP1	W0C-0175-00	TOUCH PANEL		1	E1,X1,M1,M2
	TP1	W0C-0176-00	TOUCH PANEL		1	K1
	TP2	W0C-0196-00	TOUCH PANEL		1	R1,K2
	VDB1	-----	VIDEO PWB ASSY	XJ8-0230-11	1	R1,K2
	VDB1	CB-16DNXMONI2EN	VIDEO PWB ASSY	XJ8-0232-71	1	E1
	VDB1	CB-16DNXMONI3MN	VIDEO PWB ASSY	XJ8-0230-21	1	X1,M1,M2
	VDB1	CB-16DNXMONI1KN	VIDEO PWB ASSY	XJ8-0230-10	1	K1
	VME1	FD2-3A00NXN	DVD MECHANISM		1	
	WH1	E3F-0116-00	WIRING HARNESS		1	
	WH2	E3F-0112-00	WIRING HARNESS		1	
	WH3	E3F-0118-00	WIRING HARNESS		1	R1,E1,X1,M1,M2,K1
	WH3	E3F-0119-00	WIRING HARNESS		1	K2
	WH4	E3F-0117-00	WIRING HARNESS		1	
	A	VKZ4539-054	MINI SCREW		2	
	B	LV45552-003A	SPECIAL SCREW		4	
	C	QYSDST2606ZA	TAP SCREW	M2.6 x 6mm	44	R1,K2,X1,M1,M2,K1
	C	QYSDST2606ZA	TAP SCREW	M2.6 x 6mm	45	E1
	D	LV45522-001A	SPECIAL SCREW		2	
	E	LV45701-002A	SPECIAL SCREW		7	R1,K2,X1,M1,M2,K1
	E	LV45701-002A	SPECIAL SCREW		11	E1
	F	QYSDSP2003ZA	SCREW	M2 x 3mm	4	
	G	LV45701-004A	SPECIAL SCREW		4	R1,K2,X1,M1,M2,K1
	G	LV45701-004A	SPECIAL SCREW		2	E1
	H	N09-6490-05	STEPPED SCREW		2	
	J	N09-6825-05	MACHINE SCREW		5	E1
	K	QYSDSG3006ZA	TAP SCREW	M3 x 6mm	2	
	L	QYSDSF2608ZA	TAP SCREW	M2.6 x 8mm	1	
	M	QYSDST2610ZA	TAP SCREW	M2.6 x 10mm	2	
	N	QYSPSG3008ZA	TAP SCREW	M3 x 8mm	2	
	P	QYSPST2614ZA	TAP SCREW	M2.6 x 14mm	2	
	Q	QYNTS2600ZA	NUT	M2.6	2	
	R	QYSDST2606MA	TAP SCREW	M2.6 x 6mm	7	
	S	N09-6904-05	TAPTITE SCREW		1	
	U	QYSDSP2004ZA	SCREW	M2 x 4mm	1	E1
	V	QYSDSF2006MA	TAP SCREW	M2 x 6mm	9	E1
	W	LV45942-001A	SPECIAL SCREW		1	E1
	Z	QYSDSF2005ZA	TAP SCREW	M2 x 5mm	2	R1,K2,X1,M1,M2,K1
	222	QQR0490-001	NOISE FILTER		1	
	223	GE40101-001A	PIN CAP		6	R1,E1,X1,M1,M2
	223	GE40101-001A	PIN CAP		3	K2,K1
	224	E3A-0217-00	CORD W.PINJACK		1	
	225	E3A-0277-00	CORD W.PINJACK		1	R1,E1,X1,M1,M2
	227	F0K-0070-00	FANMOTOR		1	
	230	F0G-0143-00	COVER		1	
	235	A2C-0036-05	SUB PANEL		1	R1,M1,M2
	235	A2C-0036-02	SUB PANEL		1	K2,K1
	235	A2C-0036-03	SUB PANEL		1	E1
	235	A2C-0036-04	SUB PANEL		1	X1
	236	LV45134-003A	BLIND		1	
	237	B1K-0049-00	LIGHTING BOARD		1	
	251	LV23097-001A	DRESS PANEL(L)		1	R1,E1,X1,M1,M2,K1
	251	LV23097-003A	DRESS PANEL(L)		1	K2
	252	LV23099-001A	BUTTON(VOL)		1	R1,E1,X1,M1,M2,K1
	252	LV23099-002A	BUTTON(VOL)		1	K2
	253	LV23100-001A	BTN(NAV/AV)		1	R1,E1,X1,M1,M2,K1
	253	LV23100-004A	BTN(NAV/AV)		1	K2
	254	LV45999-001A	BADGE		1	
	255	LV23101-001A	BTN(MENU/AUD)		1	R1,E1,X1,M1,M2,K1
	255	LV23101-006A	BTN(MENU/AUD)		1	K2
	256	LV23102-001A	BTN(HOME/MENU)		1	R1,E1,X1,M1,M2,K1

MODEL	MARK	MODEL	MARK	MODEL	MARK	MODEL	MARK
DNX7160BTS	R1	DNX773S	K2	DNX8160DABS	E1	DNX8160DABS	X1
DNX8160S	M1	DNX8160SM	M2	DNX893S	K1		

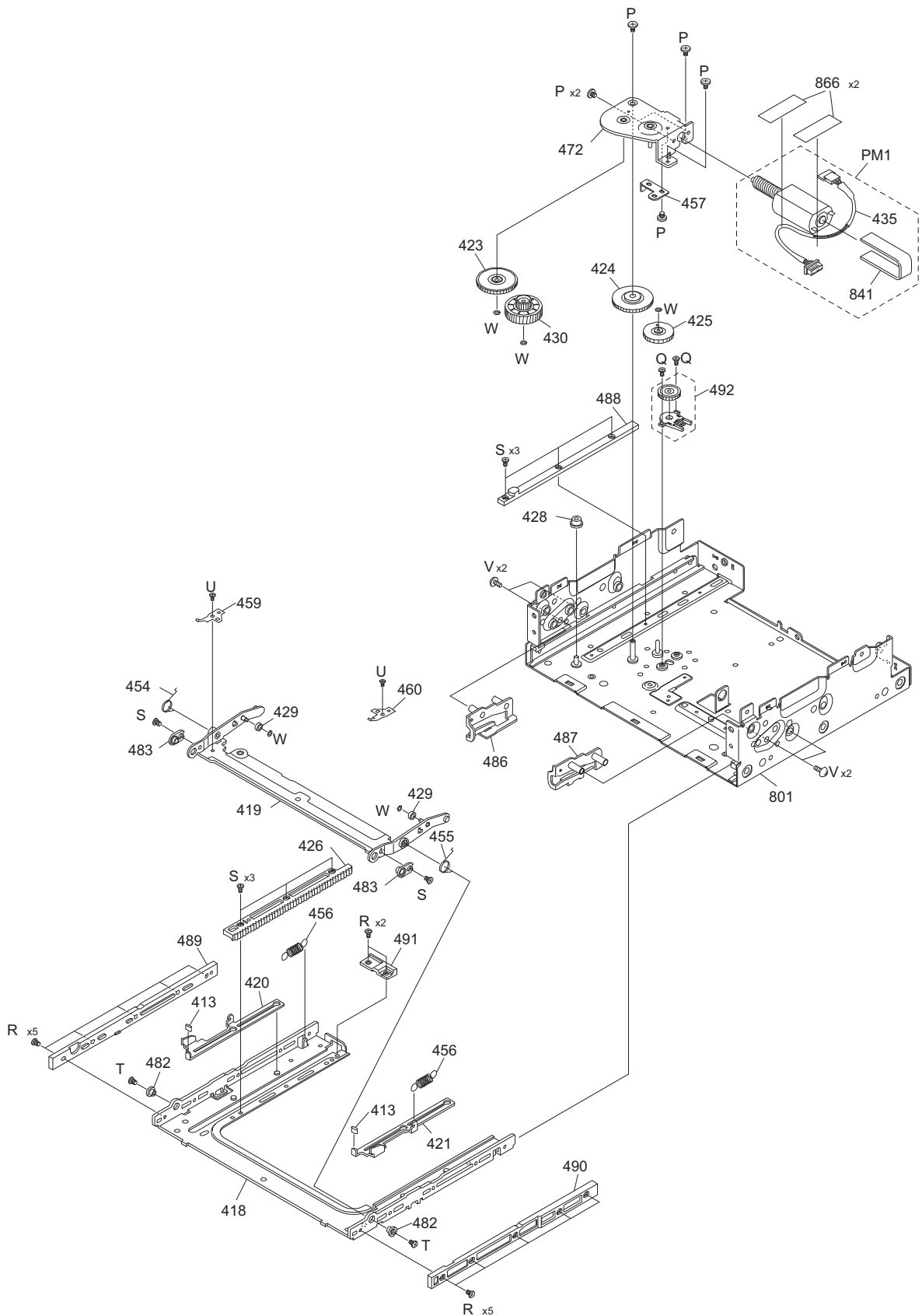
Safe	Symbol No.	Parts No.	Parts Name	Description	QTY	Local
	256	LV23102-006A	BTN(HOME/MENU)		1	K2
	257	LV23103-008A	BTN(BACK/TEL)		1	R1,E1,X1,M1,M2,K1
	257	LV23103-009A	BTN(BACK/TEL)		1	K2
	258	LV3A430-001A	BUTTON(EJECT)		1	R1,E1,X1,M1,M2,K1
	258	LV3A430-002A	BUTTON(EJECT)		1	K2
	259	LV23098-004A	DRESS PANEL(R)		1	R1,E1,X1,M1,M2,K1
	259	LV23098-006A	DRESS PANEL(R)		1	K2
	260	LV3A428-001A	DRESS PANEL(C)		1	R1,E1,X1,M1,M2,K1
	260	LV3A428-003A	DRESS PANEL(C)		1	K2
	261	B10-7055-03	FRONT GLASS		1	
	262	K24-5307-13	PUSH KNOB		1	
	263	LV11924-001A	KNOB BASE(R)		1	
	264	LV11923-001A	KNOB BASE(L)		1	
	265	LV45980-001A	SHIELD SHEET		1	R1,K2,X1,M1,M2,K1
	266	G1G-0055-00	SHEET		2	E1,X1,M1,M2,K1
	267	G1G-0055-01	SHEET		2	E1,X1,M1,M2,K1
	270	LV23156-001A	M.H ASSY		1	R1,K2,X1,M1,M2,K1
	271	F0K-0051-10	SHEET		1	R1,K2
	271	LV3A558-002A	SPACER		1	E1,X1,M1,M2,K1
	273	LV46003-001A	SPACER		2	E1,X1,M1,M2,K1
	274	J19-7394-03	BRACKET		1	E1,X1,M1,M2,K1
	275	J19-7385-14	HOLDER ASSY		1	E1,X1,M1,M2,K1
	278	LV11948-002A	REAR COVER		1	E1
	279	LV11920-002A	REAR COVER		1	R1,K2,X1,M1,M2,K1
	284	J19-7395-03	BRACKET		1	E1,X1,M1,M2,K1
	288	LV45945-001A	TOR.COIL SPRING		1	E1
	289	K24-5072-03	PUSH KNOB		1	E1
	291	LV11949-001A	COVER		1	E1
	294	LV23134-001A	M.H ASSY		1	E1
	351	LV22876-001A	SLEEVE ASSY		1	R1,K2,E1,K1
	352	B07-3237-41	ESCUTCHEON		1	R1,K2,E1,X1,K1
	353	B9H-0001-00	ESCUTCHEON		1	M1,M2
	354	QAL1550-001	ANTENNA		1	
	355	LV45939-001A	GPS BRACKET		1	
	356	QAN0137-001	MICROPHONE		1	
	357	QYSDSP2008MA	SCREW	M2 x 8mm	1	E1
	358	LV45559-001A	W-FACED TAPE		1	K1
	359	E3A-0067-00	ANTENNA CABLE		1	X1
	360	QYSTSP5008ZA	SCREW	M5 x 8mm	6	R1,K2,X1,M1,M2,K1
	361	QYSSSP5008ZA	SCREW	M5 x 8mm	6	R1,K2,X1,M1,M2,K1
	363	LV45516-001A	LEVER		2	R1,K2,E1,K1
	366	E3A-0302-00	CORD WITH PLUG		1	R1,X1,M1,M2
	367	LV45104-001A	SOFT CASE		1	E1
	370	E3A-0236-00	CORD WITH PLUG		1	K2
	371	E3A-0235-00	CORD WITH PLUG		1	R1,X1,K1
	371	E3A-0237-00	CORD WITH PLUG		1	E1,M1,M2
	372	LV45959-001A	CAP		2	R1,E1,X1,M1,M2,K1
	372	LV45959-001A	CAP		1	K2
	373	LV23141-001A	ESCUTCHEON		1	K1
	501	B5A-1047-00	INST.MANUAL		1	M2
	502	B5A-1047-01	INST.MANUAL		1	M2
	503	B5K-0218-00	SUB-INST.MANUAL		1	R1,K2,K1
	503	B5K-0219-00	SUB-INST.MANUAL		1	E1
	503	B5K-0220-00	SUB-INST.MANUAL		1	X1,M1,M2
	504	B5K-0218-02	SUB-INST.MANUAL		1	R1
	504	B5K-0218-01	SUB-INST.MANUAL		1	K2,K1
	504	B5K-0219-01	SUB-INST.MANUAL		1	E1
	504	B5K-0220-01	SUB-INST.MANUAL		1	M1
	504	B5K-0220-02	SUB-INST.MANUAL		1	M2
	505	B5K-0219-02	SUB-INST.MANUAL		1	E1
	701	-----	VIDEO CNTL PWB ASSY	NO SERVICE PART	1	R1
	701	-----	VIDEO CNTL PWB ASSY	NO SERVICE PART	1	K2
	701	-----	VIDEO CNTL PWB ASSY	NO SERVICE PART	1	E1
	701	-----	VIDEO CNTL PWB ASSY	NO SERVICE PART	1	X1
	701	-----	VIDEO CNTL PWB ASSY	NO SERVICE PART	1	M1
	701	-----	VIDEO CNTL PWB ASSY	NO SERVICE PART	1	M2
	701	-----	VIDEO CNTL PWB ASSY	NO SERVICE PART	1	K1
	703	-----	AUDIO PWB ASSY	NO SERVICE PART	1	R1
	703	-----	AUDIO PWB ASSY	NO SERVICE PART	1	K2
	703	-----	AUDIO PWB ASSY	NO SERVICE PART	1	E1
	703	-----	AUDIO PWB ASSY	NO SERVICE PART	1	X1
	703	-----	AUDIO PWB ASSY	NO SERVICE PART	1	M1,M2
	703	-----	AUDIO PWB ASSY	NO SERVICE PART	1	K1
	704	-----	SUB PWB ASSY	NO SERVICE PART	1	
	707	-----	SIGNAL PROCESS PWB ASSY	NO SERVICE PART	1	E1
	710	-----	TOP PLATE	NO SERVICE PART	1	
	711	-----	BRACKET	NO SERVICE PART	1	
	712	-----	BRACKET	NO SERVICE PART	1	
	713	-----	COOLING RUBBER	NO SERVICE PART	1	
	714	-----	BRACKET	NO SERVICE PART	1	
	715	-----	HEAT SINK	NO SERVICE PART	1	
	716	-----	BRACKET	NO SERVICE PART	1	
	717	-----	SUB CHASSIS	NO SERVICE PART	1	
	719	-----	SIDE PLATE	NO SERVICE PART	1	
	720	-----	SIDE PLATE	NO SERVICE PART	1	
	721	-----	REAR PANEL	NO SERVICE PART	1	R1,E1,X1,M1,M2

MODEL	MARK	MODEL	MARK	MODEL	MARK	MODEL	MARK
DNX7160BTS	R1	DNX773S	K2	DNX8160DABS	E1	DNX8160DABS	X1
DNX8160S	M1	DNX8160SM	M2	DNX893S	K1		

Safe	Symbol No.	Parts No.	Parts Name	Description	QTY	Local
	721	-----	REAR PANEL	NO SERVICE PART	1	K2
	721	-----	REAR PANEL	NO SERVICE PART	1	K1
	726	-----	SPACER	NO SERVICE PART	1	
	728	-----	CONDUCT CUSHION	NO SERVICE PART	1	
	729	-----	SHEET	NO SERVICE PART	1	
	731	-----	BRACKET	NO SERVICE PART	1	
	732	-----	BRACKET	NO SERVICE PART	1	
	733	-----	CONDUCT CUSHION	NO SERVICE PART	2	
	738	-----	CONDUCT CUSHION	NO SERVICE PART	1	R1,K2,X1,M1,M2,K1
	768	-----	SPACER(H)	NO SERVICE PART	1	
	769	-----	LEAD PLATE	NO SERVICE PART	1	E1
	771	-----	ROLLER	NO SERVICE PART	2	E1
	772	-----	COMPRESSION SPRING	NO SERVICE PART	2	E1
	776	-----	SPACER	NO SERVICE PART	1	E1
	777	-----	M.HARDWARE	NO SERVICE PART	1	E1
	780	-----	SPACER	NO SERVICE PART	1	
	781	-----	SPACER	NO SERVICE PART	1	
	782	-----	CONDUCT CUSHION	NO SERVICE PART	2	
	783	-----	LEAD PLATE	NO SERVICE PART	2	E1
	785	-----	HEAT SINK	NO SERVICE PART	1	E1
	786	-----	LEAD PLATE	NO SERVICE PART	1	E1
	787	-----	SPACER	NO SERVICE PART	1	E1
	790	-----	SPACER	NO SERVICE PART	1	E1
	792	-----	INS.SHEET	NO SERVICE PART	1	E1
	793	-----	SPACER	NO SERVICE PART	1	E1
	795	-----	MOUNTING HARDWARE	NO SERVICE PART	1	E1
	796	-----	MOUNTING HARDWARE	NO SERVICE PART	1	E1
	797	-----	TORSION COIL SPRING	NO SERVICE PART	2	E1
	798	-----	SHAFT(LIFT)	NO SERVICE PART	2	E1
	799	-----	SHAFT(LOCK)	NO SERVICE PART	1	E1
	800	-----	LEVER(LIFT)	NO SERVICE PART	2	E1
	801	-----	LEVER(LOCK)	NO SERVICE PART	1	E1
	802	-----	TORSION COIL SPRING	NO SERVICE PART	1	E1
	803	-----	CUSHION	NO SERVICE PART	2	E1
	805	-----	FLAT WASHER	NO SERVICE PART	2	E1
	806	-----	MACHINE SCREW	NO SERVICE PART	7	E1

EXPLODED VIEW (PANEL MECHA ASSY)

Block No.M2MM



Parts with the exploded numbers larger than 800 are not supplied.

MODEL	MARK	MODEL	MARK	MODEL	MARK	MODEL	MARK
DNX7160BTS	R1	DNX773S	K2	DNX8160DABS	E1	DNX8160DABS	X1
DNX8160S	M1	DNX8160SM	M2	DNX893S	K1		

Safe	Symbol No.	Parts No.	Parts Name	Description	QTY	Local
------	------------	-----------	------------	-------------	-----	-------

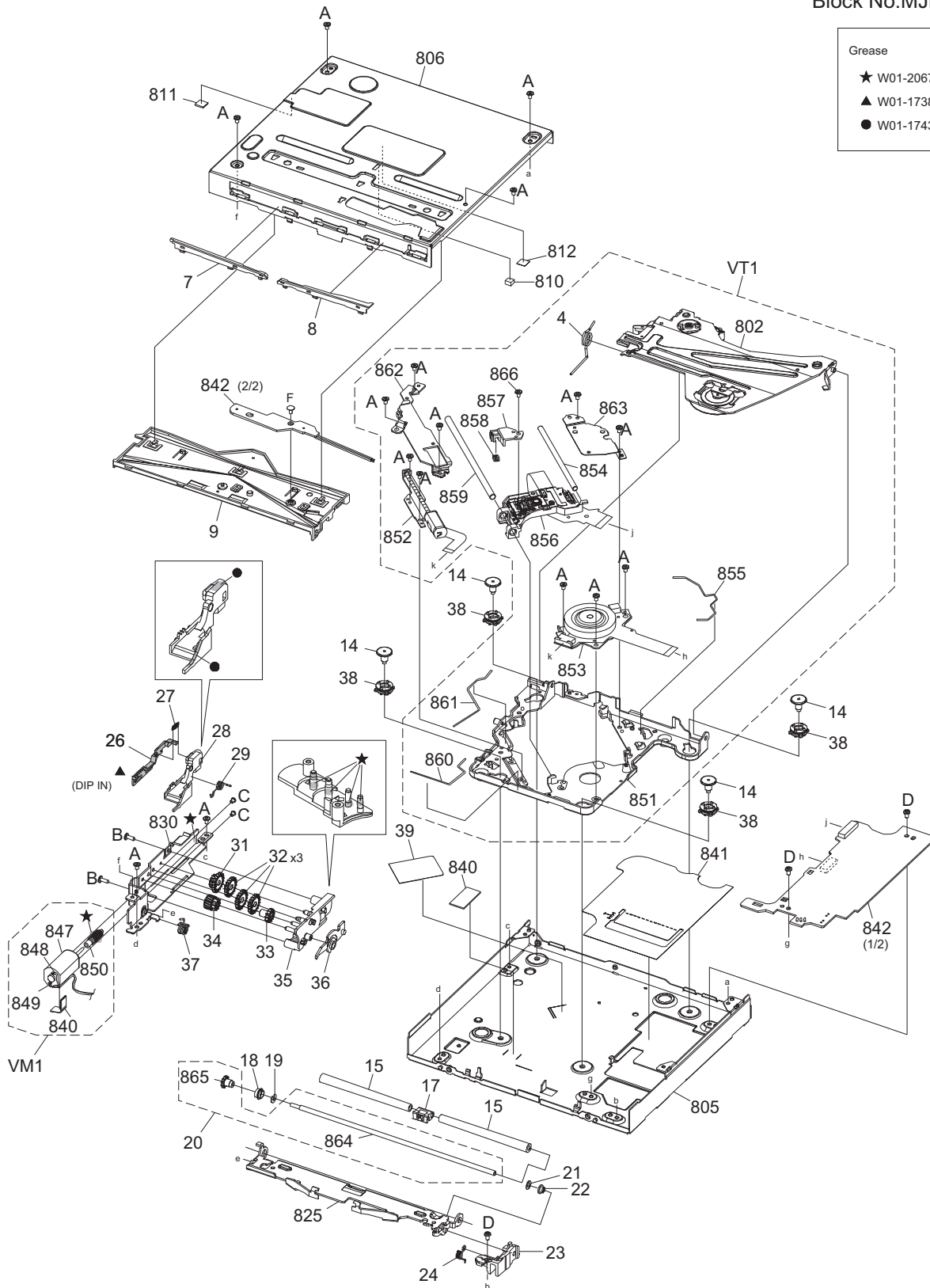
EXPLODED VIEW (PANEL MECHA ASSY) <M2MM>

PM1	T42-1368-04	MOTOR ASSY			1	
P	N09-6361-05	MACHINE SCREW	M2X2.5		6	
Q	N09-6363-05	MACHINE SCREW	M1.7X3.7		2	
R	N09-6375-05	MACHINE SCREW	M2X2.5		12	
S	N09-6376-05	MACHINE SCREW	M2X3.5		8	
T	N09-6377-05	MACHINE SCREW	M2X2.5		2	
U	N09-6378-05	TAPTITE SCREW	M2X2		2	
V	N09-6379-05	MACHINE SCREW	M2.6X4		4	
W	N19-2321-04	FLAT WASHER			5	
413	B09-0541-04	CAP			2	
418	D10-4895-32	SLIDER ASSY			1	
419	D10-4897-13	ARM ASSY			1	
420	D10-4899-03	LEVER			1	
421	D10-4900-03	LEVER			1	
423	D13-2394-04	GEAR			1	
424	D13-2395-04	GEAR			1	
425	D13-2396-04	GEAR			1	
426	D13-2397-03	RACK GEAR			1	
428	D14-1010-04	ROLLER			1	
429	D14-1011-14	ROLLER			2	
430	D19-0653-23	CLUTCH ASSY			1	
435	E39-1174-05	WIRING HARNESS			1	
454	G01-3288-04	TOR.COIL SPRING			1	
455	G01-3289-04	TOR.COIL SPRING			1	
456	G01-3290-04	EXTEN.SPRING			2	
457	G02-1539-04	FLAT SPRING			1	
459	G02-1544-04	FLAT SPRING			1	
460	G02-1545-04	FLAT SPRING			1	
472	J22-0444-13	MOUNTING ASSY			1	
482	J31-1075-14	COLLAR			2	
483	J31-1077-04	COLLAR			2	
486	J90-1126-13	GUIDE ASSY			1	
487	J90-1124-13	GUIDE ASSY			1	
488	J90-1128-03	RAIL			1	
489	J90-1129-23	RAIL			1	
490	J90-1130-23	RAIL			1	
491	J90-1131-03	GUIDE			1	
492	R31-0248-05	VARIABLE RESISTOR			1	
801	-----	CHAS.CALK.ASSY		NO SERVICE PART	1	
841	-----	SHEET		NO SERVICE PART	1	
866	-----	SHEET		NO SERVICE PART	2	

EXPLODED VIEW (DVD MECHANISM: FD2-3A00NXN)

Block No.MJMM

Grease	
★	W01-2067-08
▲	W01-1738-08
●	W01-1743-08



Parts with the exploded numbers larger than 800 are not supplied.

MODEL	MARK	MODEL	MARK	MODEL	MARK	MODEL	MARK
DNX7160BTS	R1	DNX773S	K2	DNX8160DABS	E1	DNX8160DABS	X1
DNX8160S	M1	DNX8160SM	M2	DNX893S	K1		

Safe	Symbol No.	Parts No.	Parts Name	Description	QTY	Local
------	------------	-----------	------------	-------------	-----	-------

EXPLODED VIEW (DVD MECHANISM: FD2-3A00NXN) <MJMM>

VM1	CM-FD2-ALM	LOADING M ASSY		1
VT1	CM-FD2-ATM2	TM ASSY		1
A	LV44959-002A	SPECIAL SCREW		16
B	LV45727-001A	GEAR SCREW		2
C	QYSPSPU1425MA	SCREW	M1.4 x 2.5mm	2
D	VKZ4539-054	MINI SCREW		3
F	LV44586-001A	SPECIAL SCREW		1
4	LV45709-002A	CLAMP SPRING		1
7	LV23006-002A	GUIDE 2 L		1
8	LV23007-002A	GUIDE 2 R		1
9	LV11842-004A	DISC GUIDE		1
14	LV45704-001A	DAMPER SHAFT		4
15	LV45724-001A	RUBBER ROLLER		2
17	LV37652-002A	SHAFT GUIDE		1
18	LV39938-001A	GEAR RETAINER		1
19	LV45730-001A	ROLLER C WASHER		1
20	CM-FD2-AROS	RO SHAFT ASSY		1
21	LV45731-001A	ROLLER WASHER		1
22	LV45718-001A	ROLLER RETAINER		1
23	LV23003-002A	ROLLER HOLDER		1
24	LV45982-001A	ROLLER SPG R2		1
26	LV39932-002A	TRIGGER SLIDER		1
27	LV45715-001A	TRIGGER SPRING		1
28	LV23004-004A	SLIDER		1
29	LV39935-003A	SLIDER SPRING		1
31	LV39929-001A	DRIVE GEAR 4		1
32	LV39928-001A	DRIVE GEAR 3		3
33	LV39927-001A	DRIVE GEAR 2		1
34	LV39926-001A	DRIVE GEAR 1		1
35	LV23005-001A	GEAR HOLDER		1
36	LV39923-002A	UD LEVER		1
37	LV45983-001A	ROLLER SPG L2		1
38	LV39934-001A	DAMPER		4
39	LV45719-001A	PU FPC SHEET		1
802	-----	CLAMP ARM ASSY	NO SERVICE PART	1
805	-----	BOTTOM CHASSIS	NO SERVICE PART	1
806	-----	TOP CHASSIS	NO SERVICE PART	1
810	-----	CLAMPER CUSHION	NO SERVICE PART	1
811	-----	CL A CUSHION B	NO SERVICE PART	1
812	-----	CL A CUSHION A	NO SERVICE PART	1
825	-----	ROLLER ARM	NO SERVICE PART	1
830	-----	GEAR BKT	NO SERVICE PART	1
840	-----	SPACER(H)	NO SERVICE PART	2
841	-----	BOTTOM SHEET	NO SERVICE PART	1
842	-----	FE BOARD ASSY	NO SERVICE PART	1
847	-----	LOADING MOTOR	NO SERVICE PART	1
848	-----	SIN TWIST WIRE	NO SERVICE PART	1
849	-----	SIN TWIST WIRE	NO SERVICE PART	1
850	-----	WORM GEAR	NO SERVICE PART	1
851	-----	TM CHASSIS ASSY	NO SERVICE PART	1
852	-----	FEED MOTOR	NO SERVICE PART	1
853	-----	SPINDLE MOTOR	NO SERVICE PART	1
854	-----	SUB SHAFT	NO SERVICE PART	1
855	-----	SUB SHAFT SP	NO SERVICE PART	1
856	-----	PICK UP	NO SERVICE PART	1
857	-----	PICKUP ARM	NO SERVICE PART	1
858	-----	PICKUP ARM SP	NO SERVICE PART	1
859	-----	SHAFT	NO SERVICE PART	1
860	-----	MAIN SHAFT SP 2	NO SERVICE PART	1
861	-----	MAIN SHAFT SP	NO SERVICE PART	1
862	-----	TM COVER MAIN	NO SERVICE PART	1
863	-----	TM COVER SUB	NO SERVICE PART	1
864	-----	ROLLER SHAFT	NO SERVICE PART	1
865	-----	ROLLER GEAR	NO SERVICE PART	1
866	-----	SCREW	NO SERVICE PART	1

MODEL	MARK	MODEL	MARK	MODEL	MARK	MODEL	MARK
DNX7160BTS	R1	DNX773S	K2	DNX8160DABS	E1	DNX8160DABS	X1
DNX8160S	M1	DNX8160SM	M2	DNX893S	K1		

Safe	Symbol No.	Parts No.	Parts Name	Description	QTY	Local
VIDEO CNTL PWB ASSY (XJ1-118x-0x) <XJ1>						
	IC31	MP9943AGQ	ANALOG IC		1	
	IC51	MP9943AGQ	ANALOG IC		1	
	IC71	MP9942AGJ	ANALOG IC		1	
	IC91	MP9942AGJ	ANALOG IC		1	
	IC92	TC7SET08FU-J-X	IC(DIGITAL)		1	
	IC110	BA2904WV	ANALOG IC		1	
	IC131	MP9942AGJ	ANALOG IC		1	R1,E1,X1,M1,M2,K1
	IC132	TC7SET08FU-J-X	IC(DIGITAL)		1	R1,E1,X1,M1,M2,K1
	IC150	BA2904WV	ANALOG IC		1	R1,E1,X1,M1,M2,K1
	IC201	NJM2819ADL333	BIPOLAR IC		1	
	IC202	BD82032FVJ-G-X	IC		1	
	IC203	TPS2065CDBV	MOS IC		1	
	IC204	BD33KA5WFP	MOS IC		1	
	IC205	XC6223B331PG-X	IC		1	
	IC206	BD2222G-G	MOS IC		1	
	IC207	BD00C0AWFP	MOS IC		1	
	IC301	W3F-0173-00	MCU IC		1	
	IC302	XC6120N282N-G	MOS IC		1	
	IC303	TC7SH08FU-X	IC(DIGITAL)		1	
	IC304	BR24T32FVT-W	ROM IC		1	
	IC305	NJU7108F3	MOS IC		1	
	IC501	AK7738VQ	MOS IC		1	
	IC502	AK4388AET-X	IC		1	
	IC503	AK4388AET-X	IC		1	
	IC504	NJM2871BF05	ANALOG IC		1	
	IC506	AK4388AET-X	IC		1	
	IC507	XC6209B502PG-X	IC		1	
	IC508	BU33TD3WG	MOS IC		1	
	IC601	NJM4565V-X	IC		1	
	IC711	TC7SH08FU-X	IC(DIGITAL)		1	K2,K1
	IC712	TC7SZ125FUF	MOS IC		1	K2,K1
	IC713	TC7SH08FU-X	IC(DIGITAL)		1	R1,E1,X1,M1,M2
	IC714	TC7SZ125FUF	MOS IC		1	R1,E1,X1,M1,M2
	IC871	NJW1341VC3-W	IC		1	
	IC872	XC6209B502PG-X	IC		1	
	IC921	NJG1143UA2-W	IC		1	
	IC922	XC6213B332N-G	MOS IC		1	
	Q1	MTM98140-X	TRANSISTOR		1	
	Q3	LTC014YEBFS8	DIGI TRANSISTOR		1	
	Q4	LSCR523EBFS8	TRANSISTOR		1	
	Q5	LSAR523EBFS8	TRANSISTOR		1	
	Q6	LTA014TUBFS8	DIGI TRANSISTOR		1	
	Q7	LSCR523EBFS8	TRANSISTOR		1	
	Q8	LSAR523EBFS8	TRANSISTOR		1	
	Q9	LTC014YEBFS8	DIGI TRANSISTOR		1	
	Q10	LTC014YEBFS8	DIGI TRANSISTOR		1	
	Q11	LSCR523EBFS8	TRANSISTOR		1	
	Q12	LSAR523EBFS8	TRANSISTOR		1	
	Q91	LTC014YEBFS8	DIGI TRANSISTOR		1	
	Q110	LTC044EEBFS8	DIGI TRANSISTOR		1	
	Q111	LTC044EEBFS8	DIGI TRANSISTOR		1	
	Q112	LSCR523EBFS8	TRANSISTOR		1	
	Q113	LSAR523EBFS8	TRANSISTOR		1	
	Q114	LTC014YEBFS8	DIGI TRANSISTOR		1	
	Q115	LTC014YEBFS8	DIGI TRANSISTOR		1	
	Q116	LTC044EEBFS8	DIGI TRANSISTOR		1	
	Q117	LTA014YEBFS8	DIGI TRANSISTOR		1	
	Q131	LTC014YEBFS8	DIGI TRANSISTOR		1	R1,E1,X1,M1,M2,K1
	Q150	LTC044EEBFS8	DIGI TRANSISTOR		1	R1,E1,X1,M1,M2,K1
	Q151	LTC044EEBFS8	DIGI TRANSISTOR		1	R1,E1,X1,M1,M2,K1
	Q152	LSCR523EBFS8	TRANSISTOR		1	R1,E1,X1,M1,M2,K1
	Q153	LSAR523EBFS8	TRANSISTOR		1	R1,E1,X1,M1,M2,K1
	Q154	LTC014YEBFS8	DIGI TRANSISTOR		1	R1,E1,X1,M1,M2,K1
	Q155	LTC014YEBFS8	DIGI TRANSISTOR		1	R1,E1,X1,M1,M2,K1
	Q156	LTC044EEBFS8	DIGI TRANSISTOR		1	R1,E1,X1,M1,M2,K1
	Q157	LTA014YEBFS8	DIGI TRANSISTOR		1	R1,E1,X1,M1,M2,K1
	Q301	2SB1689-X	TRANSISTOR		1	
	Q302	LTC014YEBFS8	DIGI TRANSISTOR		1	
	Q303	LSAR523EBFS8	TRANSISTOR		1	
	Q304	LSAR523EBFS8	TRANSISTOR		1	
	Q305	LTC044EEBFS8	DIGI TRANSISTOR		1	
	Q306	LTC014YEBFS8	DIGI TRANSISTOR		1	
	Q307	LTC014YEBFS8	DIGI TRANSISTOR		1	
	Q308	LTA014YEBFS8	DIGI TRANSISTOR		1	
	Q309	LTA014YEBFS8	DIGI TRANSISTOR		1	
	Q310	2SK3019-X	MOS FET		1	
	Q311	LTC014YEBFS8	DIGI TRANSISTOR		1	
	Q312	LTA014TEB-X	DIGI TRANSISTOR		1	
	Q313	LTC014EEBFS8	DIGI TRANSISTOR		1	
	Q314	LTC014EEBFS8	DIGI TRANSISTOR		1	
	Q315	LTC014YEBFS8	DIGI TRANSISTOR		1	
	Q316	LTC014YEBFS8	DIGI TRANSISTOR		1	
	Q317	LSCR523EBFS8	TRANSISTOR		1	
	Q318	LSAR523EBFS8	TRANSISTOR		1	
	Q319	LTC014YEBFS8	DIGI TRANSISTOR		1	
	Q501	LTC014YEBFS8	DIGI TRANSISTOR		1	
	Q502	LTC014YEBFS8	DIGI TRANSISTOR		1	
	Q711	LTC043TUBFS8	DIGI TRANSISTOR		1	K2,K1
	Q712	LTC043TUBFS8	DIGI TRANSISTOR		1	K2,K1
	Q713	LTA014YEBFS8	DIGI TRANSISTOR		1	K2,K1

MODEL	MARK	MODEL	MARK	MODEL	MARK	MODEL	MARK
DNX7160BTS	R1	DNX773S	K2	DNX8160DABS	E1	DNX8160DABS	X1
DNX8160S	M1	DNX8160SM	M2	DNX893S	K1		

Safe	Symbol No.	Parts No.	Parts Name	Description	QTY	Local
	D1	RB080L-30-X	SB DIODE		1	
	D2	DA2J101	DIODE		1	
	D3	DZ2J160M	ZENER DIODE		1	
	D5	DZ2J062M	ZENER DIODE		1	
	D6	DZ2J062M	ZENER DIODE		1	
	D91	DZ2J062M	ZENER DIODE		1	
	D131	DZ2J062M	ZENER DIODE		1	R1,E1,X1,M1,M2,K1
	D201	GS1J-LTP	DIODE		1	
	D202	DA2J101	DIODE		1	
	D203	DA2J101	DIODE		1	
	D301	DA2J101	DIODE		1	
	D501	DA2J101	DIODE		1	
	D601	DZ2J110M	ZENER DIODE		1	
	D602	DZ2J110M	ZENER DIODE		1	
	D711	DZ2J056M	ZENER DIODE		1	R1,E1,X1,M1,M2
	D712	DZ2J056M	ZENER DIODE		1	K2,K1
	D713	DZ2J056M	ZENER DIODE		1	K2,K1
	C1	CK73GBB1H104K	C CAPACITOR	0.1uF 50V K	1	
	C2	CK73GBB1H104K	C CAPACITOR	0.1uF 50V K	1	
	C4	CK73GBB1H104K	C CAPACITOR	0.1uF 50V K	1	
	C7	CD040CP1C222M	E CAPACITOR	2200uF 16V M	1	
	C31	CK73GBB1H104K	C CAPACITOR	0.1uF 50V K	1	
	C32	CK73HBB1E103K	C CAPACITOR	0.01uF 25V K	1	
	C33	CK73EXR1E106K	C CAPACITOR	10uF 25V K	1	
	C34	CK73EXR1E106K	C CAPACITOR	10uF 25V K	1	
	C35	CK73GBB1H104K	C CAPACITOR	0.1uF 50V K	1	
	C36	CK73HBB1E103K	C CAPACITOR	0.01uF 25V K	1	
	C37	CK73HBB1C104K	C CAPACITOR	0.1uF 16V K	1	
	C38	CK73HBB1C104K	C CAPACITOR	0.1uF 16V K	1	
	C40	CC73HCH1H560J	C CAPACITOR	56pF 50V J	1	
	C41	CK730BY1A476K	C CAPACITOR	47uF 10V K	1	
	C43	CK73HBB1C104K	C CAPACITOR	0.1uF 16V K	1	
	C44	CK73HBB1E103K	C CAPACITOR	0.01uF 25V K	1	
	C48	CC73HCH1H220J	C CAPACITOR	22pF 50V J	1	
	C51	CK73GBB1H104K	C CAPACITOR	0.1uF 50V K	1	
	C52	CK73HBB1E103K	C CAPACITOR	0.01uF 25V K	1	
	C53	CK73EXR1E106K	C CAPACITOR	10uF 25V K	1	
	C54	CK73EXR1E106K	C CAPACITOR	10uF 25V K	1	
	C55	CK73GBB1H104K	C CAPACITOR	0.1uF 50V K	1	
	C56	CK73HBB1E103K	C CAPACITOR	0.01uF 25V K	1	
	C57	CK73HBB1C104K	C CAPACITOR	0.1uF 16V K	1	
	C58	CK73HBB1C104K	C CAPACITOR	0.1uF 16V K	1	
	C60	CC73HCH1H560J	C CAPACITOR	56pF 50V J	1	
	C61	CK730BY1A476K	C CAPACITOR	47uF 10V K	1	
	C63	CK73HBB1C104K	C CAPACITOR	0.1uF 16V K	1	
	C64	CK73HBB1E103K	C CAPACITOR	0.01uF 25V K	1	
	C65	CC73HCH1H050C	C CAPACITOR	5pF 50V C	1	
	C66	CC73HCH1H050C	C CAPACITOR	5pF 50V C	1	
	C67	CC73HCH1H050C	C CAPACITOR	5pF 50V C	1	
	C71	CK73GBB1H104K	C CAPACITOR	0.1uF 50V K	1	
	C72	CK73HBB1E103K	C CAPACITOR	0.01uF 25V K	1	
	C73	CK73EXR1E106K	C CAPACITOR	10uF 25V K	1	
	C74	CK73EXR1E106K	C CAPACITOR	10uF 25V K	1	
	C75	CK73GBB1H104K	C CAPACITOR	0.1uF 50V K	1	
	C76	CK73HBB1E103K	C CAPACITOR	0.01uF 25V K	1	
	C77	CK73HBB1C104K	C CAPACITOR	0.1uF 16V K	1	
	C78	CK73HBB1C104K	C CAPACITOR	0.1uF 16V K	1	
	C80	CC73HCH1H560J	C CAPACITOR	56pF 50V J	1	
	C81	CK730BY1A476K	C CAPACITOR	47uF 10V K	1	
	C83	CK73HBB1C104K	C CAPACITOR	0.1uF 16V K	1	
	C84	CK73HBB1E103K	C CAPACITOR	0.01uF 25V K	1	
	C85	CC73HCH1H220J	C CAPACITOR	22pF 50V J	1	
	C91	CK73GBB1H104K	C CAPACITOR	0.1uF 50V K	1	
	C92	CK73HBB1E103K	C CAPACITOR	0.01uF 25V K	1	
	C93	CK73EXR1E106K	C CAPACITOR	10uF 25V K	1	
	C94	CK73EXR1E106K	C CAPACITOR	10uF 25V K	1	
	C95	CK73GBB1H104K	C CAPACITOR	0.1uF 50V K	1	
	C96	CK73HBB1E103K	C CAPACITOR	0.01uF 25V K	1	
	C97	CK73HBB1C104K	C CAPACITOR	0.1uF 16V K	1	
	C98	CK73HBB1C104K	C CAPACITOR	0.1uF 16V K	1	
	C100	CC73HCH1H560J	C CAPACITOR	56pF 50V J	1	
	C101	CK730BY1A476K	C CAPACITOR	47uF 10V K	1	
	C103	CK73HBB1C104K	C CAPACITOR	0.1uF 16V K	1	
	C104	CK73HBB1E103K	C CAPACITOR	0.01uF 25V K	1	
	C105	CK73HBB1E103K	C CAPACITOR	0.01uF 25V K	1	
	C110	CK73HBB1C104K	C CAPACITOR	0.1uF 16V K	1	
	C111	CK73HBB1C104K	C CAPACITOR	0.1uF 16V K	1	
	C112	CK73HBB1C104K	C CAPACITOR	0.1uF 16V K	1	
	C113	CK73HBB1C104K	C CAPACITOR	0.1uF 16V K	1	
	C114	CK73HBB1H102K	C CAPACITOR	1000pF 50V K	1	
	C131	CK73GBB1H104K	C CAPACITOR	0.1uF 50V K	1	R1,E1,X1,M1,M2,K1
	C132	CK73HBB1E103K	C CAPACITOR	0.01uF 25V K	1	R1,E1,X1,M1,M2,K1
	C133	CK73EXR1E106K	C CAPACITOR	10uF 25V K	1	R1,E1,X1,M1,M2,K1
	C134	CK73EXR1E106K	C CAPACITOR	10uF 25V K	1	R1,E1,X1,M1,M2,K1
	C135	CK73GBB1H104K	C CAPACITOR	0.1uF 50V K	1	R1,E1,X1,M1,M2,K1
	C136	CK73HBB1E103K	C CAPACITOR	0.01uF 25V K	1	R1,E1,X1,M1,M2,K1
	C137	CK73HBB1C104K	C CAPACITOR	0.1uF 16V K	1	R1,E1,X1,M1,M2,K1
	C138	CK73HBB1C104K	C CAPACITOR	0.1uF 16V K	1	R1,E1,X1,M1,M2,K1
	C140	CC73HCH1H560J	C CAPACITOR	56pF 50V J	1	R1,E1,X1,M1,M2,K1
	C141	CK730BY1A476K	C CAPACITOR	47uF 10V K	1	R1,E1,X1,M1,M2,K1

MODEL	MARK	MODEL	MARK	MODEL	MARK	MODEL	MARK
DNX7160BTS	R1	DNX773S	K2	DNX8160DABS	E1	DNX8160DABS	X1
DNX8160S	M1	DNX8160SM	M2	DNX893S	K1		

Safe	Symbol No.	Parts No.	Parts Name	Description	QTY	Local
	C143	CK73HBB1C104K	C CAPACITOR	0.1uF 16V K	1	R1,E1,X1,M1,M2,K1
	C144	CK73HBB1E103K	C CAPACITOR	0.01uF 25V K	1	R1,E1,X1,M1,M2,K1
	C145	CK73HBB1E103K	C CAPACITOR	0.01uF 25V K	1	R1,E1,X1,M1,M2,K1
	C150	CK73HBB1C104K	C CAPACITOR	0.1uF 16V K	1	R1,E1,X1,M1,M2,K1
	C151	CK73HBB1C104K	C CAPACITOR	0.1uF 16V K	1	R1,E1,X1,M1,M2,K1
	C152	CK73HBB1C104K	C CAPACITOR	0.1uF 16V K	1	R1,E1,X1,M1,M2,K1
	C153	CK73HBB1C104K	C CAPACITOR	0.1uF 16V K	1	R1,E1,X1,M1,M2,K1
	C154	CK73HBB1H102K	C CAPACITOR	1000pF 50V K	1	R1,E1,X1,M1,M2,K1
	C201	CK73FXR1C106K	C CAPACITOR	10uF 16V K	1	
	C202	CK73GXR0J106M	C CAPACITOR	10uF 6.3V M	1	
	C203	CK73FXR1C106K	C CAPACITOR	10uF 16V K	1	
	C204	CK73GBB1C105K	C CAPACITOR	1uF 16V K	1	
	C205	CK73HBB1C104K	C CAPACITOR	0.1uF 16V K	1	
	C206	CK73HBB1C104K	C CAPACITOR	0.1uF 16V K	1	
	C207	CK73HBB1C104K	C CAPACITOR	0.1uF 16V K	1	
	C208	CK73GBB1C105K	C CAPACITOR	1uF 16V K	1	
	C209	CK73GXR0J106M	C CAPACITOR	10uF 6.3V M	1	
	C210	CK73GBB1C105K	C CAPACITOR	1uF 16V K	1	
	C211	CK73GBB1C105K	C CAPACITOR	1uF 16V K	1	
	C212	CK73GBB1C105K	C CAPACITOR	1uF 16V K	1	
	C213	CK73FXR1C106K	C CAPACITOR	10uF 16V K	1	
	C214	CK73HBB1E103K	C CAPACITOR	0.01uF 25V K	1	
	C215	CK73EXR1E106K	C CAPACITOR	10uF 25V K	1	
	C216	CK73FXR1C106K	C CAPACITOR	10uF 16V K	1	
	C252	CK730BY1A476K	C CAPACITOR	47uF 10V K	1	
	C253	CK730BY1A476K	C CAPACITOR	47uF 10V K	1	
	C254	CK730BY1A476K	C CAPACITOR	47uF 10V K	1	R1,E1,X1,M1,M2,K1
	C255	CK730BY1A476K	C CAPACITOR	47uF 10V K	1	R1,E1,X1,M1,M2,K1
	C256	CK73HBB1C104K	C CAPACITOR	0.1uF 16V K	1	
	C257	CK730BY1A476K	C CAPACITOR	47uF 10V K	1	
	C258	CK730BY1A476K	C CAPACITOR	47uF 10V K	1	R1,E1,X1,M1,M2,K1
	C259	CK73HBB1E103K	C CAPACITOR	0.01uF 25V K	1	
	C260	CK73HBB1E103K	C CAPACITOR	0.01uF 25V K	1	R1,E1,X1,M1,M2,K1
	C301	CC73HCH1H331J	C CAPACITOR	330pF 50V J	1	
	C302	CC73HCH1H331J	C CAPACITOR	330pF 50V J	1	
	C303	NEZ0065-227X	E CAPACITOR	220uF	1	
	C304	NEZ0065-227X	E CAPACITOR	220uF	1	
	C305	CK73GXR0J106M	C CAPACITOR	10uF 6.3V M	1	
	C306	CK73HBB1H222K	C CAPACITOR	2200pF 50V K	1	
	C307	CK73HXR0J105K	C CAPACITOR	1uF 6.3V K	1	
	C308	CK73HXR0J105K	C CAPACITOR	1uF 6.3V K	1	
	C309	CC73HCH1H330J	C CAPACITOR	33pF 50V J	1	
	C310	CC73HCH1H040C	C CAPACITOR	4pF 50V C	1	
	C311	CC73HCH1H080D	C CAPACITOR	8pF 50V D	1	
	C312	CC73HCH1H080D	C CAPACITOR	8pF 50V D	1	
	C313	CK73HBB1C104K	C CAPACITOR	0.1uF 16V K	1	
	C314	CK73HBB1C104K	C CAPACITOR	0.1uF 16V K	1	
	C315	CK73HXR0J105K	C CAPACITOR	1uF 6.3V K	1	
	C316	CK73HBB1C104K	C CAPACITOR	0.1uF 16V K	1	
	C317	CK73HBB1C104K	C CAPACITOR	0.1uF 16V K	1	
	C318	CK73HBB1C104K	C CAPACITOR	0.1uF 16V K	1	
	C319	CK73HBB1C104K	C CAPACITOR	0.1uF 16V K	1	
	C320	CK73HBB1E103K	C CAPACITOR	0.01uF 25V K	1	
	C321	CK73HBB1E103K	C CAPACITOR	0.01uF 25V K	1	
	C322	CK73HBB1C104K	C CAPACITOR	0.1uF 16V K	1	
	C328	CK73HBB1E103K	C CAPACITOR	0.01uF 25V K	1	
	C329	CK73HBB1E103K	C CAPACITOR	0.01uF 25V K	1	
	C330	CK73HBB1E103K	C CAPACITOR	0.01uF 25V K	1	
	C331	CK73HBB1E103K	C CAPACITOR	0.01uF 25V K	1	
	C332	CK73HBB1E103K	C CAPACITOR	0.01uF 25V K	1	
	C333	CK73HBB1E103K	C CAPACITOR	0.01uF 25V K	1	
	C334	CK73HBB1E103K	C CAPACITOR	0.01uF 25V K	1	
	C337	CK73HBB1C104K	C CAPACITOR	0.1uF 16V K	1	
	C339	CK73HBB1E103K	C CAPACITOR	0.01uF 25V K	1	
	C340	CK730BY1A476K	C CAPACITOR	47uF 10V K	1	
	C341	CK730BY1A476K	C CAPACITOR	47uF 10V K	1	
	C342	CK730BY1A476K	C CAPACITOR	47uF 10V K	1	
	C343	CK73HBB1C104K	C CAPACITOR	0.1uF 16V K	1	
	C344	CK730BY1A476K	C CAPACITOR	47uF 10V K	1	
	C345	CK730BY1A476K	C CAPACITOR	47uF 10V K	1	
	C346	CK730BY1A476K	C CAPACITOR	47uF 10V K	1	
	C501	CK73HBB1H222K	C CAPACITOR	2200pF 50V K	1	
	C502	CK73HBB1H222K	C CAPACITOR	2200pF 50V K	1	
	C503	CK73HBB1H222K	C CAPACITOR	2200pF 50V K	1	
	C504	CK73HBB1H222K	C CAPACITOR	2200pF 50V K	1	
	C505	CK73GBB1C105K	C CAPACITOR	1uF 16V K	1	
	C506	CK73HXR0J105K	C CAPACITOR	1uF 6.3V K	1	
	C507	CK73GBB1C105K	C CAPACITOR	1uF 16V K	1	
	C510	CK73GBB1C105K	C CAPACITOR	1uF 16V K	1	
	C511	CK73GBB1C105K	C CAPACITOR	1uF 16V K	1	
	C512	CK73HBB1H222K	C CAPACITOR	2200pF 50V K	1	
	C513	CK73HBB1H222K	C CAPACITOR	2200pF 50V K	1	
	C514	CK73HBB1H222K	C CAPACITOR	2200pF 50V K	1	
	C515	CK73HBB1H222K	C CAPACITOR	2200pF 50V K	1	
	C520	CK73HBB1C104K	C CAPACITOR	0.1uF 16V K	1	
	C521	CK73GXR0J106M	C CAPACITOR	10uF 6.3V M	1	
	C522	CK73FXR1C106K	C CAPACITOR	10uF 16V K	1	
	C523	CK73HBB1H222K	C CAPACITOR	2200pF 50V K	1	
	C524	CK73HBB1H222K	C CAPACITOR	2200pF 50V K	1	
	C525	CK73HBB1H222K	C CAPACITOR	2200pF 50V K	1	
	C526	CK73HBB1H222K	C CAPACITOR	2200pF 50V K	1	
	C527	CK73HBB1C104K	C CAPACITOR	0.1uF 16V K	1	

MODEL	MARK	MODEL	MARK	MODEL	MARK	MODEL	MARK
DNX7160BTS	R1	DNX773S	K2	DNX8160DABS	E1	DNX8160DABS	X1
DNX8160S	M1	DNX8160SM	M2	DNX893S	K1		

Safe	Symbol No.	Parts No.	Parts Name	Description	QTY	Local
	C528	CK73FXR1C106K	C CAPACITOR	10uF 16V K	1	
	C529	CK73GBB1C105K	C CAPACITOR	1uF 16V K	1	
	C530	CK73HBB1C104K	C CAPACITOR	0.1uF 16V K	1	
	C531	CK73FBB0J106K	C CAPACITOR	10uF 6.3V K	1	
	C532	CK73HBB1C104K	C CAPACITOR	0.1uF 16V K	1	
	C533	CK73FBB0J106K	C CAPACITOR	10uF 6.3V K	1	
	C534	CK73GBB0J225K	C CAPACITOR	2.2uF 6.3V K	1	
	C535	CK73HBB1C104K	C CAPACITOR	0.1uF 16V K	1	
	C536	CK73FXR1C106K	C CAPACITOR	10uF 16V K	1	
	C537	CK73HBB1C104K	C CAPACITOR	0.1uF 16V K	1	
	C538	CK73FXR1C106K	C CAPACITOR	10uF 16V K	1	
	C539	CK73HBB1C104K	C CAPACITOR	0.1uF 16V K	1	
	C540	CK73FBB0J106K	C CAPACITOR	10uF 6.3V K	1	
	C541	CK73GBB0J225K	C CAPACITOR	2.2uF 6.3V K	1	
	C542	CK73HBB1C104K	C CAPACITOR	0.1uF 16V K	1	
	C543	CK73FBB0J106K	C CAPACITOR	10uF 6.3V K	1	
	C544	CK73HBB1C104K	C CAPACITOR	0.1uF 16V K	1	
	C545	CK73HBB1C104K	C CAPACITOR	0.1uF 16V K	1	
	C549	CC73HCH1H120J	C CAPACITOR	12pF 50V J	1	
	C550	CC73HCH1H120J	C CAPACITOR	12pF 50V J	1	
	C551	CK73GXR0J106M	C CAPACITOR	10uF 6.3V M	1	
	C552	CK73FXR1C106K	C CAPACITOR	10uF 16V K	1	
	C553	CK73HBB1C104K	C CAPACITOR	0.1uF 16V K	1	
	C554	CK73GXR0J106M	C CAPACITOR	10uF 6.3V M	1	
	C558	CK73HBB1H332K	C CAPACITOR	3300pF 50V K	1	
	C559	CK73HBB1H332K	C CAPACITOR	3300pF 50V K	1	
	C560	CK73HBB1H332K	C CAPACITOR	3300pF 50V K	1	
	C561	CK73HBB1H222K	C CAPACITOR	2200pF 50V K	1	
	C562	CK73HBB1H222K	C CAPACITOR	2200pF 50V K	1	
	C563	CK73HBB1H222K	C CAPACITOR	2200pF 50V K	1	
	C564	CK73HBB1H222K	C CAPACITOR	2200pF 50V K	1	
	C565	CK73HBB1H222K	C CAPACITOR	2200pF 50V K	1	
	C566	CK73HBB1H222K	C CAPACITOR	2200pF 50V K	1	
	C567	CK73HBB1H222K	C CAPACITOR	2200pF 50V K	1	
	C568	CK73HBB1H222K	C CAPACITOR	2200pF 50V K	1	
	C569	CK73GBB1C474K	C CAPACITOR	0.47uF 16V K	1	
	C571	CK73GXR0J106M	C CAPACITOR	10uF 6.3V M	1	
	C601	CK73HBB1E103K	C CAPACITOR	0.01uF 25V K	1	E1
	C602	CK73HBB1E103K	C CAPACITOR	0.01uF 25V K	1	E1
	C603	CK73HBB1H102K	C CAPACITOR	1000pF 50V K	1	
	C605	CK73GBB1C105K	C CAPACITOR	1uF 16V K	1	
	C606	CK73GBB1C105K	C CAPACITOR	1uF 16V K	1	
	C607	CC73HCH1H220J	C CAPACITOR	22pF 50V J	1	
	C609	CC73HCH1H220J	C CAPACITOR	22pF 50V J	1	
	C612	NCJ41CK-476X-A	C CAPACITOR	47uF 16V K	1	
	C613	CK730BY1A476K	C CAPACITOR	47uF 10V K	1	
	C615	CK73HBB1A683K	C CAPACITOR	0.068uF 10V K	1	
	C616	CK73HBB1A683K	C CAPACITOR	0.068uF 10V K	1	
	C617	NCJ41CK-476X-A	C CAPACITOR	47uF 16V K	1	
	C620	CK73HBB1H102K	C CAPACITOR	1000pF 50V K	1	
	C711	CK73FXR1C475K	C CAPACITOR	4.7uF 16V K	1	K2,K1
	C712	CK73FXR1C475K	C CAPACITOR	4.7uF 16V K	1	K2,K1
	C714	CK73HXR0J105K	C CAPACITOR	1uF 6.3V K	1	R1,E1,X1,M1,M2
	C715	CK73GBB1H104K	C CAPACITOR	0.1uF 50V K	1	K2,K1
	C716	CK73HBB1E103K	C CAPACITOR	0.01uF 25V K	1	K2,K1
	C717	CK73HBB1E103K	C CAPACITOR	0.01uF 25V K	1	K2,K1
	C718	CK73HBB1E103K	C CAPACITOR	0.01uF 25V K	1	R1,E1,X1,M1,M2
	C719	CK73HBB1E103K	C CAPACITOR	0.01uF 25V K	1	R1,E1,X1,M1,M2
	C751	NEZ0068-227X	AS E CAPACITOR	220uF	1	
	C752	CK73HBB1C104K	C CAPACITOR	0.1uF 16V K	1	
	C753	CK73HBB1E103K	C CAPACITOR	0.01uF 25V K	1	
	C760	CK73HBB1E223K	C CAPACITOR	0.022uF 25V K	1	
	C761	CK73FXR0J226M	C CAPACITOR	22uF 6.3V M	1	
	C791	CK73HBB1H102K	C CAPACITOR	1000pF 50V K	1	
	C792	CK73HBB1H102K	C CAPACITOR	1000pF 50V K	1	
	C793	CK73HBB1E223K	C CAPACITOR	0.022uF 25V K	1	
	C794	CC73HCH1H221J	C CAPACITOR	220pF 50V J	1	
	C795	CC73HCH1H221J	C CAPACITOR	220pF 50V J	1	
	C831	CK73HBB1E103K	C CAPACITOR	0.01uF 25V K	1	R1,E1,X1,M1,M2
	C832	CK73FXR0J226M	C CAPACITOR	22uF 6.3V M	1	
	C833	CK73GBB1C224K	C CAPACITOR	0.22uF 16V K	1	
	C879	CK73HXR0J105K	C CAPACITOR	1uF 6.3V K	1	
	C881	CK73HXR0J105K	C CAPACITOR	1uF 6.3V K	1	
	C882	CK73HXR0J105K	C CAPACITOR	1uF 6.3V K	1	
	C884	CK73HXR0J105K	C CAPACITOR	1uF 6.3V K	1	
	C885	CK73HXR0J105K	C CAPACITOR	1uF 6.3V K	1	
	C886	CK73HXR0J105K	C CAPACITOR	1uF 6.3V K	1	R1,E1,X1,M1,M2
	C887	CK73HXR0J105K	C CAPACITOR	1uF 6.3V K	1	
	C888	CK73HXR0J105K	C CAPACITOR	1uF 6.3V K	1	
	C890	CK73HBB1C104K	C CAPACITOR	0.1uF 16V K	1	
	C891	CK73HXR0J105K	C CAPACITOR	1uF 6.3V K	1	
	C892	CE32BJ1C470M	E CAPACITOR	47uF 16V M	1	
	C893	CK73HBB1C104K	C CAPACITOR	0.1uF 16V K	1	
	C895	CK73HXR0J105K	C CAPACITOR	1uF 6.3V K	1	
	C896	CK73HXR0J105K	C CAPACITOR	1uF 6.3V K	1	K2,K1
	C897	CK73HXR0J105K	C CAPACITOR	1uF 6.3V K	1	
	C898	CK73FXR1C106K	C CAPACITOR	10uF 16V K	1	
	C899	CK73GBB1C105K	C CAPACITOR	1uF 16V K	1	
	C922	CK73HBB1E103K	C CAPACITOR	0.01uF 25V K	1	
	C923	CC73HCH1H470J	C CAPACITOR	47pF 50V J	1	

MODEL	MARK	MODEL	MARK	MODEL	MARK	MODEL	MARK
DNX7160BTS	R1	DNX773S	K2	DNX8160DABS	E1	DNX8160DABS	X1
DNX8160S	M1	DNX8160SM	M2	DNX893S	K1		

Safe	Symbol No.	Parts No.	Parts Name	Description	QTY	Local
	C924	NDCA1HG-2R7W	C CAPACITOR	2.7pF 50V G	1	
	C925	CK73HXR0J105K	C CAPACITOR	1uF 6.3V K	1	
	C926	CK73GBB1C105K	C CAPACITOR	1uF 16V K	1	
	C927	CK73HXR0J105K	C CAPACITOR	1uF 6.3V K	1	
	C928	CC73HCH1H6R8D	C CAPACITOR	6.8pF 50V D	1	
	C929	CC73HCH1H090D	C CAPACITOR	9pF 50V D	1	
	C931	CK73GBB0J225K	C CAPACITOR	2.2uF 6.3V K	1	
	C932	CK73HXR0J105K	C CAPACITOR	1uF 6.3V K	1	
	C933	CK73HXR0J105K	C CAPACITOR	1uF 6.3V K	1	
	C934	CK73HXR0J105K	C CAPACITOR	1uF 6.3V K	1	
	C935	CK73HBB1H102K	C CAPACITOR	1000pF 50V K	1	
	C936	CC73HCH1H070D	C CAPACITOR	7pF 50V D	1	
	C937	CC73HCH1H070D	C CAPACITOR	7pF 50V D	1	
	C938	CK73HXR0J105K	C CAPACITOR	1uF 6.3V K	1	
	C939	CC73HCH1H020C	C CAPACITOR	2pF 50V C	1	
	C940	CK73HXR0J105K	C CAPACITOR	1uF 6.3V K	1	
	C951	CK73FXR1C106K	C CAPACITOR	10uF 16V K	1	
	C952	CK73HBB1C104K	C CAPACITOR	0.1uF 16V K	1	
	C953	CK73HXR0J105K	C CAPACITOR	1uF 6.3V K	1	
	C981	CK730BY1A476K	C CAPACITOR	47uF 10V K	1	
	C982	CK73HBB1C104K	C CAPACITOR	0.1uF 16V K	1	
	C983	CK73GXR0J106M	C CAPACITOR	10uF 6.3V M	1	
	R1	RK73GB2A103J	MG RESISTOR	10kΩ 1/10W J	1	
	R2	RK73GB2A202J	MG RESISTOR	2kΩ 1/10W J	1	
	R3	RK73HB1J334J	MG RESISTOR	330kΩ 1/16W J	1	
	R4	RK73HH1J104D	MG RESISTOR	100kΩ 1/16W D	1	
	R5	RK73HH1J513D	MG RESISTOR	51kΩ 1/16W D	1	
	R6	RK73HH1J333D	MG RESISTOR	33kΩ 1/16W D	1	
	R7	RK73HB1J224J	MG RESISTOR	220kΩ 1/16W J	1	
	R8	RK73HB1J224J	MG RESISTOR	220kΩ 1/16W J	1	
	R9	RK73HH1J822D	MG RESISTOR	8.2kΩ 1/16W D	1	
	R10	RK73HH1J104D	MG RESISTOR	100kΩ 1/16W D	1	
	R11	RK73HH1J244D	MG RESISTOR	240kΩ 1/16W D	1	
	R12	RK73HB1J224J	MG RESISTOR	220kΩ 1/16W J	1	
	R13	RK73HB1J224J	MG RESISTOR	220kΩ 1/16W J	1	
	R14	RK73HH1J304D	MG RESISTOR	300kΩ 1/16W D	1	
	R15	RK73HH1J304D	MG RESISTOR	300kΩ 1/16W D	1	
	R16	RK73HH1J822D	MG RESISTOR	8.2kΩ 1/16W D	1	
	R17	RK73HH1J104D	MG RESISTOR	100kΩ 1/16W D	1	
	R18	RK73HH1J683D	MG RESISTOR	68kΩ 1/16W D	1	
	R19	RK73HB1J224J	MG RESISTOR	220kΩ 1/16W J	1	
	R20	RK73HB1J224J	MG RESISTOR	220kΩ 1/16W J	1	
	R31	RK73GB2A200J	MG RESISTOR	20Ω 1/10W J	1	
	R33	RK73HB1J333J	MG RESISTOR	33kΩ 1/16W J	1	
	R34	RK73HB1J000J	MG RESISTOR	0Ω 1/16W J	1	
	R35	RK73HB1J000J	MG RESISTOR	0Ω 1/16W J	1	
	R36	RK73HH1J393D	MG RESISTOR	39kΩ 1/16W D	1	
	R37	RK73HH1J222D	MG RESISTOR	2.2kΩ 1/16W D	1	
	R38	RK73HH1J752D	MG RESISTOR	7.5kΩ 1/16W D	1	
	R39	RK73HH1J101D	MG RESISTOR	100Ω 1/16W D	1	
	R40	RK73HB1J101J	MG RESISTOR	100Ω 1/16W J	1	
	R41	RK73HB1J000J	MG RESISTOR	0Ω 1/16W J	1	
	R51	RK73GB2A200J	MG RESISTOR	20Ω 1/10W J	1	
	R53	RK73HB1J333J	MG RESISTOR	33kΩ 1/16W J	1	
	R54	RK73HB1J000J	MG RESISTOR	0Ω 1/16W J	1	
	R55	RK73HB1J000J	MG RESISTOR	0Ω 1/16W J	1	
	R56	RK73HH1J393D	MG RESISTOR	39kΩ 1/16W D	1	
	R57	RK73HH1J222D	MG RESISTOR	2.2kΩ 1/16W D	1	
	R58	RK73HH1J752D	MG RESISTOR	7.5kΩ 1/16W D	1	
	R59	RK73HH1J101D	MG RESISTOR	100Ω 1/16W D	1	
	R60	RK73HB1J101J	MG RESISTOR	100Ω 1/16W J	1	
	R61	RK73HB1J000J	MG RESISTOR	0Ω 1/16W J	1	
	R62	RK73HH1J100D	MG RESISTOR	10Ω 1/16W D	1	
	R71	RK73GB2A200J	MG RESISTOR	20Ω 1/10W J	1	
	R73	RK73HB1J333J	MG RESISTOR	33kΩ 1/16W J	1	
	R74	RK73HB1J000J	MG RESISTOR	0Ω 1/16W J	1	
	R75	RK73HH1J100D	MG RESISTOR	10Ω 1/16W D	1	
	R76	RK73HH1J393D	MG RESISTOR	39kΩ 1/16W D	1	
	R77	RK73HH1J222D	MG RESISTOR	2.2kΩ 1/16W D	1	
	R78	RK73HH1J752D	MG RESISTOR	7.5kΩ 1/16W D	1	
	R79	RK73HB1J000J	MG RESISTOR	0Ω 1/16W J	1	
	R80	RK73HB1J101J	MG RESISTOR	100Ω 1/16W J	1	
	R81	RK73HB1J000J	MG RESISTOR	0Ω 1/16W J	1	
	R91	RK73GB2A200J	MG RESISTOR	20Ω 1/10W J	1	
	R92	RK73HB1J473J	MG RESISTOR	47kΩ 1/16W J	1	
	R94	RK73HB1J333J	MG RESISTOR	33kΩ 1/16W J	1	
	R95	RK73HB1J000J	MG RESISTOR	0Ω 1/16W J	1	
	R96	RK73HH1J100D	MG RESISTOR	10Ω 1/16W D	1	
	R97	RK73HH1J393D	MG RESISTOR	39kΩ 1/16W D	1	
	R98	RK73HH1J222D	MG RESISTOR	2.2kΩ 1/16W D	1	
	R99	RK73HH1J752D	MG RESISTOR	7.5kΩ 1/16W D	1	
	R100	RK73HB1J000J	MG RESISTOR	0Ω 1/16W J	1	
	R101	RK73EB2E151J	MG RESISTOR	150Ω 1/4W J	1	
	R102	RK73HB1J223J	MG RESISTOR	22kΩ 1/16W J	1	
	R103	RK73HB1J000J	MG RESISTOR	0Ω 1/16W J	1	
	R104	RK73HB1J101J	MG RESISTOR	100Ω 1/16W J	1	
	R105	RK73HB1J272J	MG RESISTOR	2.7kΩ 1/16W J	1	
	R106	RK73HB1J102J	MG RESISTOR	1kΩ 1/16W J	1	
	R107	RK73HB1J000J	MG RESISTOR	0Ω 1/16W J	1	
	R110	NRZ0133-R030X	MG RESISTOR	0.03Ω	1	
	R111	NRZ0133-R030X	MG RESISTOR	0.03Ω	1	
	R112	RK73HH1J102D	MG RESISTOR	1kΩ 1/16W D	1	

MODEL	MARK	MODEL	MARK	MODEL	MARK	MODEL	MARK
DNX7160BTS	R1	DNX773S	K2	DNX8160DABS	E1	DNX8160DABS	X1
DNX8160S	M1	DNX8160SM	M2	DNX893S	K1		

Safe	Symbol No.	Parts No.	Parts Name	Description	QTY	Local
	R113	RK73HH1J104D	MG RESISTOR	100kΩ 1/16W D	1	
	R114	RK73HH1J102D	MG RESISTOR	1kΩ 1/16W D	1	
	R115	RK73HH1J104D	MG RESISTOR	100kΩ 1/16W D	1	
	R116	RK73HH1J104D	MG RESISTOR	100kΩ 1/16W D	1	
	R117	RK73HH1J393D	MG RESISTOR	39kΩ 1/16W D	1	
	R118	RK73HH1J104D	MG RESISTOR	100kΩ 1/16W D	1	
	R119	RK73HH1J102D	MG RESISTOR	1kΩ 1/16W D	1	
	R120	RK73HH1J104D	MG RESISTOR	100kΩ 1/16W D	1	
	R121	RK73HB1J224J	MG RESISTOR	220kΩ 1/16W J	1	
	R122	RK73HB1J224J	MG RESISTOR	220kΩ 1/16W J	1	
	R123	RK73HH1J302D	MG RESISTOR	3kΩ 1/16W D	1	
	R124	RK73HB1J000J	MG RESISTOR	0Ω 1/16W J	1	
	R125	RK73HB1J223J	MG RESISTOR	22kΩ 1/16W J	1	
	R127	RK73HB1J000J	MG RESISTOR	0Ω 1/16W J	1	
	R129	RK73HB1J000J	MG RESISTOR	0Ω 1/16W J	1	
	R131	RK73GB2A000J	MG RESISTOR	20Ω 1/10W J	1	R1,E1,X1,M1,M2,K1
	R132	RK73HB1J473J	MG RESISTOR	47kΩ 1/16W J	1	R1,E1,X1,M1,M2,K1
	R134	RK73HB1J333J	MG RESISTOR	33kΩ 1/16W J	1	R1,E1,X1,M1,M2,K1
	R135	RK73HB1J000J	MG RESISTOR	0Ω 1/16W J	1	R1,E1,X1,M1,M2,K1
	R136	RK73HH1J100D	MG RESISTOR	10Ω 1/16W D	1	R1,E1,X1,M1,M2,K1
	R137	RK73HH1J393D	MG RESISTOR	39kΩ 1/16W D	1	R1,E1,X1,M1,M2,K1
	R138	RK73HH1J222D	MG RESISTOR	2.2kΩ 1/16W D	1	R1,E1,X1,M1,M2,K1
	R139	RK73HH1J752D	MG RESISTOR	7.5kΩ 1/16W D	1	R1,E1,X1,M1,M2,K1
	R140	RK73HB1J000J	MG RESISTOR	0Ω 1/16W J	1	R1,E1,X1,M1,M2,K1
	R141	RK73EB2E151J	MG RESISTOR	150Ω 1/4W J	1	R1,E1,X1,M1,M2,K1
	R142	RK73HB1J223J	MG RESISTOR	22kΩ 1/16W J	1	R1,E1,X1,M1,M2,K1
	R143	RK73HB1J000J	MG RESISTOR	0Ω 1/16W J	1	R1,E1,X1,M1,M2,K1
	R144	RK73HB1J101J	MG RESISTOR	100Ω 1/16W J	1	R1,E1,X1,M1,M2,K1
	R145	RK73HB1J272J	MG RESISTOR	2.7kΩ 1/16W J	1	R1,E1,X1,M1,M2,K1
	R146	RK73HB1J102J	MG RESISTOR	1kΩ 1/16W J	1	R1,E1,X1,M1,M2,K1
	R147	RK73HB1J000J	MG RESISTOR	0Ω 1/16W J	1	R1,E1,X1,M1,M2,K1
	R150	NRZ0133-R030X	MG RESISTOR	0.03Ω	1	R1,E1,X1,M1,M2,K1
	R151	NRZ0133-R030X	MG RESISTOR	0.03Ω	1	R1,E1,X1,M1,M2,K1
	R152	RK73HH1J102D	MG RESISTOR	1kΩ 1/16W D	1	R1,E1,X1,M1,M2,K1
	R153	RK73HH1J104D	MG RESISTOR	100kΩ 1/16W D	1	R1,E1,X1,M1,M2,K1
	R154	RK73HH1J102D	MG RESISTOR	1kΩ 1/16W D	1	R1,E1,X1,M1,M2,K1
	R155	RK73HH1J104D	MG RESISTOR	100kΩ 1/16W D	1	R1,E1,X1,M1,M2,K1
	R156	RK73HH1J104D	MG RESISTOR	100kΩ 1/16W D	1	R1,E1,X1,M1,M2,K1
	R157	RK73HH1J393D	MG RESISTOR	39kΩ 1/16W D	1	R1,E1,X1,M1,M2,K1
	R158	RK73HH1J104D	MG RESISTOR	100kΩ 1/16W D	1	R1,E1,X1,M1,M2,K1
	R159	RK73HH1J102D	MG RESISTOR	1kΩ 1/16W D	1	R1,E1,X1,M1,M2,K1
	R160	RK73HH1J104D	MG RESISTOR	100kΩ 1/16W D	1	R1,E1,X1,M1,M2,K1
	R161	RK73HB1J224J	MG RESISTOR	220kΩ 1/16W J	1	R1,E1,X1,M1,M2,K1
	R162	RK73HB1J224J	MG RESISTOR	220kΩ 1/16W J	1	R1,E1,X1,M1,M2,K1
	R163	RK73HH1J302D	MG RESISTOR	3kΩ 1/16W D	1	R1,E1,X1,M1,M2,K1
	R164	RK73HB1J000J	MG RESISTOR	0Ω 1/16W J	1	R1,E1,X1,M1,M2,K1
	R165	RK73HB1J223J	MG RESISTOR	22kΩ 1/16W J	1	R1,E1,X1,M1,M2,K1
	R167	RK73HB1J000J	MG RESISTOR	0Ω 1/16W J	1	R1,E1,X1,M1,M2,K1
	R169	RK73HB1J000J	MG RESISTOR	0Ω 1/16W J	1	R1,E1,X1,M1,M2,K1
	R188	RK73GB2A000J	MG RESISTOR	0Ω 1/10W J	1	
	R189	RK73GB2A000J	MG RESISTOR	0Ω 1/10W J	1	
	R201	RK73GB2A000J	MG RESISTOR	0Ω 1/10W J	1	
	R203	RK73HB1J104J	MG RESISTOR	100kΩ 1/16W J	1	
	R205	RK73GB2A000J	MG RESISTOR	0Ω 1/10W J	1	
	R206	RK73GB2A000J	MG RESISTOR	0Ω 1/10W J	1	
	R207	RK73GB2A000J	MG RESISTOR	0Ω 1/10W J	1	
	R208	RK73GB2A000J	MG RESISTOR	0Ω 1/10W J	1	
	R209	RK73GB2A000J	MG RESISTOR	0Ω 1/10W J	1	
	R210	RK73GB2A000J	MG RESISTOR	0Ω 1/10W J	1	
	R211	RK73GB2A000J	MG RESISTOR	0Ω 1/10W J	1	
	R212	RK73HB1J272J	MG RESISTOR	2.7kΩ 1/16W J	1	
	R215	RK73GB2A000J	MG RESISTOR	0Ω 1/10W J	1	
	R216	RK73HB1J000J	MG RESISTOR	0Ω 1/16W J	1	
	R218	RK73HB1J473J	MG RESISTOR	47kΩ 1/16W J	1	
	R219	RK73HB1J153J	MG RESISTOR	15kΩ 1/16W J	1	
	R224	RK73HH1J104D	MG RESISTOR	100kΩ 1/16W D	1	
	R225	RK73HH1J822D	MG RESISTOR	8.2kΩ 1/16W D	1	
	R226	RK73HH1J821D	MG RESISTOR	820Ω 1/16W D	1	
	R227	RK73HB1J000J	MG RESISTOR	0Ω 1/16W J	1	
	R228	RK73GB2A000J	MG RESISTOR	0Ω 1/10W J	1	
	R301	RK73HB1J223J	MG RESISTOR	22kΩ 1/16W J	1	
	R306	RK73HB1J101J	MG RESISTOR	100Ω 1/16W J	1	
	R307	RK73HB1J101J	MG RESISTOR	100Ω 1/16W J	1	
	R308	RK73HB1J101J	MG RESISTOR	100Ω 1/16W J	1	
	R309	RK73HB1J101J	MG RESISTOR	100Ω 1/16W J	1	
	R310	RK73HB1J102J	MG RESISTOR	1kΩ 1/16W J	1	
	R311	RK73HB1J101J	MG RESISTOR	100Ω 1/16W J	1	
	R312	RK73HB1J473J	MG RESISTOR	47kΩ 1/16W J	1	
	R313	RK73HB1J101J	MG RESISTOR	100Ω 1/16W J	1	
	R314	RK73HB1J101J	MG RESISTOR	100Ω 1/16W J	1	
	R315	RK73HB1J102J	MG RESISTOR	1kΩ 1/16W J	1	
	R316	RK73HB1J154J	MG RESISTOR	150kΩ 1/16W J	1	
	R317	RK73HB1J154J	MG RESISTOR	150kΩ 1/16W J	1	
	R318	RK73HB1J101J	MG RESISTOR	100Ω 1/16W J	1	
	R320	RK73HB1J103J	MG RESISTOR	10kΩ 1/16W J	1	
	R321	RK73HB1J103J	MG RESISTOR	10kΩ 1/16W J	1	
	R322	RK73HB1J473J	MG RESISTOR	47kΩ 1/16W J	1	
	R323	RK73HB1J103J	MG RESISTOR	10kΩ 1/16W J	1	
	R324	RK73HB1J101J	MG RESISTOR	100Ω 1/16W J	1	
	R325	RK73HB1J473J	MG RESISTOR	47kΩ 1/16W J	1	

MODEL	MARK	MODEL	MARK	MODEL	MARK	MODEL	MARK
DNX7160BTS	R1	DNX773S	K2	DNX8160DABS	E1	DNX8160DABS	X1
DNX8160S	M1	DNX8160SM	M2	DNX893S	K1		

Safe	Symbol No.	Parts No.	Parts Name	Description	QTY	Local
	R326	RK73HB1J473J	MG RESISTOR	47kΩ 1/16W J	1	
	R327	RK73HB1J223J	MG RESISTOR	22kΩ 1/16W J	1	
	R328	RK73HB1J473J	MG RESISTOR	47kΩ 1/16W J	1	
	R329	RK73HB1J223J	MG RESISTOR	22kΩ 1/16W J	1	
	R330	RK73HB1J222J	MG RESISTOR	2.2kΩ 1/16W J	1	
	R331	RK73HB1J101J	MG RESISTOR	100Ω 1/16W J	1	
	R332	RK73HB1J101J	MG RESISTOR	100Ω 1/16W J	1	
	R333	RK73HB1J272J	MG RESISTOR	2.7kΩ 1/16W J	1	
	R334	RK73HB1J101J	MG RESISTOR	100Ω 1/16W J	1	
	R335	RK73HB1J101J	MG RESISTOR	100Ω 1/16W J	1	
	R337	RK73HB1J101J	MG RESISTOR	100Ω 1/16W J	1	
	R338	RK73HB1J000J	MG RESISTOR	0Ω 1/16W J	1	
	R339	RK73HB1J101J	MG RESISTOR	100Ω 1/16W J	1	
	R340	RK73HB1J472J	MG RESISTOR	4.7kΩ 1/16W J	1	
	R341	RK73HB1J472J	MG RESISTOR	4.7kΩ 1/16W J	1	
	R342	RK73HB1J101J	MG RESISTOR	100Ω 1/16W J	1	
	R343	RK73HB1J101J	MG RESISTOR	100Ω 1/16W J	1	
	R344	RK73HB1J101J	MG RESISTOR	100Ω 1/16W J	1	
	R345	RK73HB1J680J	MG RESISTOR	68Ω 1/16W J	1	
	R346	RK73HB1J561J	MG RESISTOR	560Ω 1/16W J	1	
	R347	RK73HB1J101J	MG RESISTOR	100Ω 1/16W J	1	
	R348	RK73HB1J104J	MG RESISTOR	100kΩ 1/16W J	1	
	R349	RK73HB1J101J	MG RESISTOR	100Ω 1/16W J	1	
	R350	RK73HB1J473J	MG RESISTOR	47kΩ 1/16W J	1	
	R351	RK73HB1J101J	MG RESISTOR	100Ω 1/16W J	1	
	R352	RK73HB1J473J	MG RESISTOR	47kΩ 1/16W J	1	
	R356	RK73HB1J473J	MG RESISTOR	47kΩ 1/16W J	1	
	R357	RK73HB1J104J	MG RESISTOR	100kΩ 1/16W J	1	
	R358	RK73HB1J104J	MG RESISTOR	100kΩ 1/16W J	1	
	R359	RK73HB1J101J	MG RESISTOR	100Ω 1/16W J	1	
	R360	RK73HB1J101J	MG RESISTOR	100Ω 1/16W J	1	
	R361	RK73HB1J101J	MG RESISTOR	100Ω 1/16W J	1	
	R362	RK73HB1J104J	MG RESISTOR	100kΩ 1/16W J	1	
	R363	RK73HB1J101J	MG RESISTOR	100Ω 1/16W J	1	
	R365	RK73HB1J101J	MG RESISTOR	100Ω 1/16W J	1	
	R366	RK73HB1J222J	MG RESISTOR	2.2kΩ 1/16W J	1	
	R367	RK73HB1J222J	MG RESISTOR	2.2kΩ 1/16W J	1	
	R368	RK73HB1J473J	MG RESISTOR	47kΩ 1/16W J	1	
	R369	RK73HB1J101J	MG RESISTOR	100Ω 1/16W J	1	
	R370	RK73HB1J101J	MG RESISTOR	100Ω 1/16W J	1	
	R371	RK73HB1J101J	MG RESISTOR	100Ω 1/16W J	1	
	R372	RK73HB1J101J	MG RESISTOR	100Ω 1/16W J	1	
	R373	RK73HB1J101J	MG RESISTOR	100Ω 1/16W J	1	
	R374	RK73HB1J101J	MG RESISTOR	100Ω 1/16W J	1	
	R375	RK73HB1J101J	MG RESISTOR	100Ω 1/16W J	1	
	R376	RK73HB1J102J	MG RESISTOR	1kΩ 1/16W J	1	
	R377	RK73HB1J101J	MG RESISTOR	100Ω 1/16W J	1	
	R378	RK73HB1J104J	MG RESISTOR	100kΩ 1/16W J	1	
	R379	RK73HB1J473J	MG RESISTOR	47kΩ 1/16W J	1	
	R380	RK73HB1J101J	MG RESISTOR	100Ω 1/16W J	1	
	R381	RK73HB1J102J	MG RESISTOR	1kΩ 1/16W J	1	
	R382	RK73HB1J223J	MG RESISTOR	22kΩ 1/16W J	1	
	R383	RK73HB1J101J	MG RESISTOR	100Ω 1/16W J	1	
	R384	RK73HB1J102J	MG RESISTOR	1kΩ 1/16W J	1	
	R385	RK73HB1J223J	MG RESISTOR	22kΩ 1/16W J	1	
	R386	RK73HB1J102J	MG RESISTOR	1kΩ 1/16W J	1	
	R387	RK73HB1J223J	MG RESISTOR	22kΩ 1/16W J	1	
	R388	RK73HB1J101J	MG RESISTOR	100Ω 1/16W J	1	
	R389	RK73HB1J101J	MG RESISTOR	100Ω 1/16W J	1	
	R390	RK73HB1J101J	MG RESISTOR	100Ω 1/16W J	1	
	R391	RK73HB1J101J	MG RESISTOR	100Ω 1/16W J	1	
	R392	RK73HB1J101J	MG RESISTOR	100Ω 1/16W J	1	
	R393	RK73HB1J101J	MG RESISTOR	100Ω 1/16W J	1	
	R395	RK73HB1J101J	MG RESISTOR	100Ω 1/16W J	1	
	R396	RK73HB1J101J	MG RESISTOR	100Ω 1/16W J	1	
	R400	RK73HB1J101J	MG RESISTOR	100Ω 1/16W J	1	
	R401	RK73HH1J104D	MG RESISTOR	100kΩ 1/16W D	1	
	R402	RK73HB1J473J	MG RESISTOR	47kΩ 1/16W J	1	
	R403	RK73HB1J101J	MG RESISTOR	100Ω 1/16W J	1	
	R404	RK73HB1J101J	MG RESISTOR	100Ω 1/16W J	1	
	R405	RK73HB1J104J	MG RESISTOR	100kΩ 1/16W J	1	
	R406	RK73HB1J101J	MG RESISTOR	100Ω 1/16W J	1	
	R407	RK73HH1J244D	MG RESISTOR	240kΩ 1/16W D	1	R1
	R407	RK73HH1J134D	MG RESISTOR	130kΩ 1/16W D	1	E1
	R407	RK73HH1J104D	MG RESISTOR	100kΩ 1/16W D	1	X1
	R407	RK73HH1J393D	MG RESISTOR	39kΩ 1/16W D	1	M1
	R407	RK73HH1J163D	MG RESISTOR	16kΩ 1/16W D	1	M2
	R409	RK73HB1J473J	MG RESISTOR	47kΩ 1/16W J	1	
	R410	RK73HH1J104D	MG RESISTOR	100kΩ 1/16W D	1	
	R411	RK73HH1J134D	MG RESISTOR	130kΩ 1/16W D	1	R1,M1,M2
	R411	RK73HH1J244D	MG RESISTOR	240kΩ 1/16W D	1	K2,E1,X1
	R411	RK73HH1J564D	MG RESISTOR	560kΩ 1/16W D	1	K1
	R413	RK73HB1J473J	MG RESISTOR	47kΩ 1/16W J	1	
	R415	RK73HH1J104D	MG RESISTOR	100kΩ 1/16W D	1	R1,K2,E1,M1,M2,K1
	R418	RK73HB1J101J	MG RESISTOR	100Ω 1/16W J	1	
	R419	RK73HB1J101J	MG RESISTOR	100Ω 1/16W J	1	
	R420	RK73HB1J272J	MG RESISTOR	2.7kΩ 1/16W J	1	
	R421	RK73HB1J331J	MG RESISTOR	330Ω 1/16W J	1	
	R422	RK73HB1J821J	MG RESISTOR	820Ω 1/16W J	1	
	R423	RK73HB1J271J	MG RESISTOR	270Ω 1/16W J	1	
	R424	RK73GB2A224J	MG RESISTOR	220kΩ 1/10W J	1	
	R425	RK73HB1J471J	MG RESISTOR	470Ω 1/16W J	1	

MODEL	MARK	MODEL	MARK	MODEL	MARK	MODEL	MARK
DNX7160BTS	R1	DNX773S	K2	DNX8160DABS	E1	DNX8160DABS	X1
DNX8160S	M1	DNX8160SM	M2	DNX893S	K1		

Safe	Symbol No.	Parts No.	Parts Name	Description	QTY	Local
	R426	RK73HB1J823J	MG RESISTOR	82kΩ 1/16W J	1	
	R427	RK73HB1J103J	MG RESISTOR	10kΩ 1/16W J	1	
	R428	RK73HB1J124J	MG RESISTOR	120kΩ 1/16W J	1	
	R429	RK73HB1J472J	MG RESISTOR	4.7kΩ 1/16W J	1	
	R430	RK73HB1J103J	MG RESISTOR	10kΩ 1/16W J	1	
	R431	RK73HB1J473J	MG RESISTOR	47kΩ 1/16W J	1	
	R432	RK73HB1J473J	MG RESISTOR	47kΩ 1/16W J	1	
	R433	RK73HB1J473J	MG RESISTOR	47kΩ 1/16W J	1	
	R434	RK73HB1J101J	MG RESISTOR	100Ω 1/16W J	1	
	R435	RK73HB1J473J	MG RESISTOR	47kΩ 1/16W J	1	
	R437	RK73HB1J000J	MG RESISTOR	0Ω 1/16W J	1	
	R503	RK73HB1J223J	MG RESISTOR	22kΩ 1/16W J	1	
	R504	RK73HB1J223J	MG RESISTOR	22kΩ 1/16W J	1	
	R506	RK73HB1J223J	MG RESISTOR	22kΩ 1/16W J	1	
	R507	RK73HB1J223J	MG RESISTOR	22kΩ 1/16W J	1	
	R508	RK73HB1J000J	MG RESISTOR	0Ω 1/16W J	1	
	R510	RK73GB2A221J	MG RESISTOR	220Ω 1/10W J	1	
	R511	RK73GB2A221J	MG RESISTOR	220Ω 1/10W J	1	
	R512	RK73GB2A221J	MG RESISTOR	220Ω 1/10W J	1	
	R513	RK73GB2A221J	MG RESISTOR	220Ω 1/10W J	1	
	R514	RK73HB1J000J	MG RESISTOR	0Ω 1/16W J	1	
	R515	RK73HB1J000J	MG RESISTOR	0Ω 1/16W J	1	
	R518	RK73GB2A221J	MG RESISTOR	220Ω 1/10W J	1	
	R519	RK73GB2A221J	MG RESISTOR	220Ω 1/10W J	1	
	R520	RK73HB1J000J	MG RESISTOR	0Ω 1/16W J	1	
	R521	RK73GB2A221J	MG RESISTOR	220Ω 1/10W J	1	
	R522	RK73GB2A221J	MG RESISTOR	220Ω 1/10W J	1	
	R523	RK73HB1J000J	MG RESISTOR	0Ω 1/16W J	1	
	R524	RK73HB1J000J	MG RESISTOR	0Ω 1/16W J	1	
	R531	RK73HB1J223J	MG RESISTOR	22kΩ 1/16W J	1	
	R532	RK73HB1J223J	MG RESISTOR	22kΩ 1/16W J	1	
	R533	RK73HB1J000J	MG RESISTOR	0Ω 1/16W J	1	
	R534	RK73HB1J100J	MG RESISTOR	10Ω 1/16W J	1	
	R535	RK73HB1J100J	MG RESISTOR	10Ω 1/16W J	1	
	R536	RK73HB1J100J	MG RESISTOR	10Ω 1/16W J	1	
	R538	RK73GB2A2R2J	MG RESISTOR	2.2Ω 1/10W J	1	
	R539	RK73GB2A221J	MG RESISTOR	220Ω 1/10W J	1	
	R540	RK73GB2A221J	MG RESISTOR	220Ω 1/10W J	1	
	R541	RK73GB2A221J	MG RESISTOR	220Ω 1/10W J	1	
	R542	RK73GB2A221J	MG RESISTOR	220Ω 1/10W J	1	
	R543	RK73HB1J000J	MG RESISTOR	0Ω 1/16W J	1	
	R544	RK73HB1J000J	MG RESISTOR	0Ω 1/16W J	1	
	R545	RK73HB1J101J	MG RESISTOR	100Ω 1/16W J	1	
	R546	RK73HB1J101J	MG RESISTOR	100Ω 1/16W J	1	
	R547	RK73HB1J000J	MG RESISTOR	0Ω 1/16W J	1	
	R548	RK73HB1J000J	MG RESISTOR	0Ω 1/16W J	1	
	R549	RK73HB1J000J	MG RESISTOR	0Ω 1/16W J	1	
	R550	RK73HB1J000J	MG RESISTOR	0Ω 1/16W J	1	
	R551	RK73HB1J222J	MG RESISTOR	2.2kΩ 1/16W J	1	
	R552	RK73HB1J101J	MG RESISTOR	100Ω 1/16W J	1	
	R553	RK73HB1J101J	MG RESISTOR	100Ω 1/16W J	1	
	R554	RK73HB1J101J	MG RESISTOR	100Ω 1/16W J	1	
	R555	RK73HB1J101J	MG RESISTOR	100Ω 1/16W J	1	
	R556	RK73HB1J101J	MG RESISTOR	100Ω 1/16W J	1	
	R557	RK73HB1J000J	MG RESISTOR	0Ω 1/16W J	1	
	R558	RK73HB1J000J	MG RESISTOR	0Ω 1/16W J	1	
	R559	RK73GB2A101J	MG RESISTOR	100Ω 1/10W J	1	
	R560	RK73HB1J101J	MG RESISTOR	100Ω 1/16W J	1	
	R561	RK73GB2A101J	MG RESISTOR	100Ω 1/10W J	1	
	R562	RK73HB1J000J	MG RESISTOR	0Ω 1/16W J	1	
	R563	RK73HB1J000J	MG RESISTOR	0Ω 1/16W J	1	
	R564	RK73HB1J000J	MG RESISTOR	0Ω 1/16W J	1	
	R565	RK73HB1J101J	MG RESISTOR	100Ω 1/16W J	1	
	R566	RK73HB1J100J	MG RESISTOR	10Ω 1/16W J	1	
	R567	RK73HB1J100J	MG RESISTOR	10Ω 1/16W J	1	
	R568	RK73HB1J101J	MG RESISTOR	100Ω 1/16W J	1	
	R569	RK73HB1J223J	MG RESISTOR	22kΩ 1/16W J	1	
	R570	RK73HB1J100J	MG RESISTOR	10Ω 1/16W J	1	
	R573	RK73HB1J101J	MG RESISTOR	100Ω 1/16W J	1	
	R574	RK73HB1J100J	MG RESISTOR	10Ω 1/16W J	1	
	R575	RK73HB1J100J	MG RESISTOR	10Ω 1/16W J	1	
	R576	RK73HB1J000J	MG RESISTOR	0Ω 1/16W J	1	
	R577	RK73HB1J100J	MG RESISTOR	10Ω 1/16W J	1	
	R578	RK73GB2A2R2J	MG RESISTOR	2.2Ω 1/10W J	1	
	R579	RK73GB2A2R2J	MG RESISTOR	2.2Ω 1/10W J	1	
	R585	RK73GB2A000J	MG RESISTOR	0Ω 1/10W J	1	
	R586	RK73GB2A000J	MG RESISTOR	0Ω 1/10W J	1	
	R588	RK73GB2A221J	MG RESISTOR	220Ω 1/10W J	1	
	R589	RK73GB2A221J	MG RESISTOR	220Ω 1/10W J	1	
	R590	RK73GB2A221J	MG RESISTOR	220Ω 1/10W J	1	
	R591	RK73GB2A221J	MG RESISTOR	220Ω 1/10W J	1	
	R592	RK73GB2A221J	MG RESISTOR	220Ω 1/10W J	1	
	R593	RK73GB2A221J	MG RESISTOR	220Ω 1/10W J	1	
	R594	RK73GB2A221J	MG RESISTOR	220Ω 1/10W J	1	
	R595	RK73GB2A221J	MG RESISTOR	220Ω 1/10W J	1	
	R596	RK73HB1J223J	MG RESISTOR	22kΩ 1/16W J	1	
	R599	RK73GB2A000J	MG RESISTOR	0Ω 1/10W J	1	
	R600	RK73GB2A000J	MG RESISTOR	0Ω 1/10W J	1	
	R601	RK73HB1J101J	MG RESISTOR	100Ω 1/16W J	1	E1
	R604	RK73HB1J000J	MG RESISTOR	0Ω 1/16W J	1	

MODEL	MARK	MODEL	MARK	MODEL	MARK	MODEL	MARK
DNX7160BTS	R1	DNX773S	K2	DNX8160DABS	E1	DNX8160DABS	X1
DNX8160S	M1	DNX8160SM	M2	DNX893S	K1		

Safe	Symbol No.	Parts No.	Parts Name	Description	QTY	Local
	R609	RK73HB1J203J	MG RESISTOR	20kΩ 1/16W J	1	
	R610	RK73HB1J203J	MG RESISTOR	20kΩ 1/16W J	1	
	R611	RK73HB1J473J	MG RESISTOR	47kΩ 1/16W J	1	
	R612	RK73HB1J304J	MG RESISTOR	300kΩ 1/16W J	1	
	R614	RK73HB1J304J	MG RESISTOR	300kΩ 1/16W J	1	
	R615	RK73GB2A000J	MG RESISTOR	0Ω 1/10W J	1	
	R616	RK73HB1J223J	MG RESISTOR	22kΩ 1/16W J	1	
	R617	RK73HB1J223J	MG RESISTOR	22kΩ 1/16W J	1	
	R618	RK73HB1J333J	MG RESISTOR	33kΩ 1/16W J	1	
	R620	RK73HB1J123J	MG RESISTOR	12kΩ 1/16W J	1	
	R621	RK73GB2A101J	MG RESISTOR	100Ω 1/10W J	1	
	R622	RK73GB2A2R2J	MG RESISTOR	2.2Ω 1/10W J	1	
	R624	RK73HB1J752J	MG RESISTOR	7.5kΩ 1/16W J	1	
	R638	RK73HB1J000J	MG RESISTOR	0Ω 1/16W J	1	
	R711	RK73HB1J200J	MG RESISTOR	20Ω 1/16W J	1	K2,K1
	R712	RK73HB1J200J	MG RESISTOR	20Ω 1/16W J	1	K2,K1
	R713	RK73HB1J100J	MG RESISTOR	10Ω 1/16W J	1	K2,K1
	R714	RK73HB1J100J	MG RESISTOR	10Ω 1/16W J	1	K2,K1
	R715	RK73HB1J101J	MG RESISTOR	100Ω 1/16W J	1	E1
	R716	RK73HB1J101J	MG RESISTOR	100Ω 1/16W J	1	R1,X1,M1,M2
	R717	RK73HB1J000J	MG RESISTOR	0Ω 1/16W J	1	R1,E1,X1,M1,M2
	R718	RK73HB1J220J	MG RESISTOR	22Ω 1/16W J	1	K2,K1
	R719	RK73HB1J220J	MG RESISTOR	22Ω 1/16W J	1	K2,K1
	R720	RK73GB2A473J	MG RESISTOR	47kΩ 1/10W J	1	K2,K1
	R723	RK73GB2A000J	MG RESISTOR	0Ω 1/10W J	1	K2,K1
	R724	RK73HB1J101J	MG RESISTOR	100Ω 1/16W J	1	R1,E1,X1,M1,M2
	R725	RK73HB1J101J	MG RESISTOR	100Ω 1/16W J	1	R1,E1,X1,M1,M2
	R726	RK73HB1J683J	MG RESISTOR	68kΩ 1/16W J	1	K2,K1
	R727	RK73HB1J683J	MG RESISTOR	68kΩ 1/16W J	1	K2,K1
	R728	RK73HB1J362J	MG RESISTOR	3.6kΩ 1/16W J	1	K2,K1
	R729	RK73HB1J362J	MG RESISTOR	3.6kΩ 1/16W J	1	K2,K1
	R755	RK73HB1J000J	MG RESISTOR	0Ω 1/16W J	1	
	R756	RK73HB1J000J	MG RESISTOR	0Ω 1/16W J	1	
	R757	RK73HB1J000J	MG RESISTOR	0Ω 1/16W J	1	
	R758	RK73HB1J000J	MG RESISTOR	0Ω 1/16W J	1	
	R759	RK73HB1J000J	MG RESISTOR	0Ω 1/16W J	1	
	R760	RK73GB2A000J	MG RESISTOR	0Ω 1/10W J	1	
	R791	RK73HB1J223J	MG RESISTOR	22kΩ 1/16W J	1	
	R792	RK73HB1J223J	MG RESISTOR	22kΩ 1/16W J	1	
	R793	RK73HB1J100J	MG RESISTOR	10Ω 1/16W J	1	
	R794	RK73HB1J100J	MG RESISTOR	10Ω 1/16W J	1	
	R795	RK73HB1J4R7J	MG RESISTOR	4.7Ω 1/16W J	1	
	R796	RK73HB1J4R7J	MG RESISTOR	4.7Ω 1/16W J	1	
	R797	RK73HB1J620J	MG RESISTOR	62Ω 1/16W J	1	
	R821	RK73HB1J000J	MG RESISTOR	0Ω 1/16W J	1	
	R822	RK73HH1J750D	MG RESISTOR	75Ω 1/16W D	1	
	R825	RK73GB2A000J	MG RESISTOR	0Ω 1/10W J	1	
	R826	RK73HB1J100J	MG RESISTOR	10Ω 1/16W J	1	
	R827	RK73HB1J100J	MG RESISTOR	10Ω 1/16W J	1	
	R828	RK73HH1J750D	MG RESISTOR	75Ω 1/16W D	1	
	R831	RK73HB1J102J	MG RESISTOR	1kΩ 1/16W J	1	R1,E1,X1,M1,M2
	R832	RK73HH1J750D	MG RESISTOR	75Ω 1/16W D	1	R1,E1,X1,M1,M2
	R833	RK73HB1J100J	MG RESISTOR	10Ω 1/16W J	1	R1,E1,X1,M1,M2
	R836	RK73HB1J100J	MG RESISTOR	10Ω 1/16W J	1	R1,E1,X1,M1,M2
	R837	RK73HB1J4R7J	MG RESISTOR	4.7Ω 1/16W J	1	R1,E1,X1,M1,M2
	R838	RK73HB1J100J	MG RESISTOR	10Ω 1/16W J	1	R1,E1,X1,M1,M2
	R839	RK73HB1J750J	MG RESISTOR	75Ω 1/16W J	1	
	R871	RK73GB2A000J	MG RESISTOR	0Ω 1/10W J	1	
	R872	RK73HB1J000J	MG RESISTOR	0Ω 1/16W J	1	R1,E1,X1,M1,M2
	R873	RK73HB1J000J	MG RESISTOR	0Ω 1/16W J	1	
	R874	RK73HB1J000J	MG RESISTOR	0Ω 1/16W J	1	
	R876	RK73HB1J000J	MG RESISTOR	0Ω 1/16W J	1	
	R877	RK73HB1J100J	MG RESISTOR	10Ω 1/16W J	1	
	R878	RK73HH1J391D	MG RESISTOR	390Ω 1/16W D	1	
	R879	RK73HH1J201D	MG RESISTOR	200Ω 1/16W D	1	
	R884	RK73HB1J100J	MG RESISTOR	10Ω 1/16W J	1	
	R886	RK73HB1J220J	MG RESISTOR	22Ω 1/16W J	1	
	R887	RK73HB1J220J	MG RESISTOR	22Ω 1/16W J	1	
	R888	RK73HB1J000J	MG RESISTOR	0Ω 1/16W J	1	
	R889	RK73HH1J683D	MG RESISTOR	68kΩ 1/16W D	1	
	R890	RK73HH1J683D	MG RESISTOR	68kΩ 1/16W D	1	
	R891	RK73HB1J000J	MG RESISTOR	0Ω 1/16W J	1	
	R921	RK73HB1J220J	MG RESISTOR	22Ω 1/16W J	1	
	R922	RK73HB1J220J	MG RESISTOR	22Ω 1/16W J	1	
	R925	RK73HB1J000J	MG RESISTOR	0Ω 1/16W J	1	
	R926	RK73HB1J000J	MG RESISTOR	0Ω 1/16W J	1	
	R952	RK73HB1J000J	MG RESISTOR	0Ω 1/16W J	1	
	R954	RK73HB1J000J	MG RESISTOR	0Ω 1/16W J	1	
	R956	RK73HB1J103J	MG RESISTOR	10kΩ 1/16W J	1	
	R958	RK73HB1J103J	MG RESISTOR	10kΩ 1/16W J	1	
	R960	RK73HB1J000J	MG RESISTOR	0Ω 1/16W J	1	
	R961	RK73HB1J000J	MG RESISTOR	0Ω 1/16W J	1	
	R962	RK73HB1J000J	MG RESISTOR	0Ω 1/16W J	1	
	R963	RK73HB1J561J	MG RESISTOR	560Ω 1/16W J	1	
	R964	RK73HB1J101J	MG RESISTOR	100Ω 1/16W J	1	
	R965	RK73HB1J561J	MG RESISTOR	560Ω 1/16W J	1	
	R966	RK73HB1J271J	MG RESISTOR	270Ω 1/16W J	1	
	R967	RK73HB1J000J	MG RESISTOR	0Ω 1/16W J	1	
	R968	RK73HB1J223J	MG RESISTOR	22kΩ 1/16W J	1	
	R970	RK73HB1J101J	MG RESISTOR	100Ω 1/16W J	1	
	R981	RK73HB1J101J	MG RESISTOR	100Ω 1/16W J	1	
	R982	RK73HB1J101J	MG RESISTOR	100Ω 1/16W J	1	

MODEL	MARK	MODEL	MARK	MODEL	MARK	MODEL	MARK
DNX7160BTS	R1	DNX773S	K2	DNX8160DABS	E1	DNX8160DABS	X1
DNX8160S	M1	DNX8160SM	M2	DNX893S	K1		

Safe	Symbol No.	Parts No.	Parts Name	Description	QTY	Local
	R983	RK73HB1J101J	MG RESISTOR	100Ω 1/16W J	1	
	R984	RK73HB1J100J	MG RESISTOR	10Ω 1/16W J	1	
	R985	RK73HB1J101J	MG RESISTOR	100Ω 1/16W J	1	
	R986	RK73HB1J101J	MG RESISTOR	100Ω 1/16W J	1	
	L32	NQR0723-001X	CHOKO COIL		1	
	L52	NQR0723-001X	CHOKO COIL		1	
	L72	NQR0723-001X	CHOKO COIL		1	
	L92	NQR0723-001X	CHOKO COIL		1	
	L132	NQR0723-001X	CHOKO COIL		1	R1,E1,X1,M1,M2,K1
	L301	NQR0199-003X	FERRITE BEADS		1	
	L751	LR79Z0AG100M	CHIP INDUCTOR	10uH	1	
	L871	NQL77GK-100X	INDUCTOR	10uH K	1	
	L921	NQLP9AJ-27NX	INDUCTOR	27nH J	1	
	L922	NQLP7AG-8N2X	INDUCTOR	8.2nH G	1	
	L923	NQLZ021-9N1X	INDUCTOR	9.1nH	1	
	L924	NQR0593-001X	FERRITE BEADS		1	
	L925	NQR0593-001X	FERRITE BEADS		1	
	L926	NAX1261-001X	SAW FILTER		1	
	A921	NAU0020-001X	RF MODULE		1	
	A951	W0C-0167-00	CIRCUIT MODULE		1	
	CN1	QGA2001F1-04	W TO B CONNE	W-B (1-4)	1	
	CN201	QGA2001C1-02	W TO B CONNE	W-B (1-2)	1	
	CN202	QGA2001C1-03	W TO B CONNE	W-B (1-3)	1	
	CN251	QGA2001C1-05	W TO B CONNE	W-B (1-5)	1	
	CN252	QGA2015F1-10	W TO B CONNE	W-B (1-10)	1	
	CN301	QGA1002F1-08X	W TO B CONNE	W-B (1-8)	1	
	CN601	EB770AX-05C0A	B TO B CONNE		1	
	CN602	QGF0534F7-50X	FFC/FPC CONNE	FFC/FPC (1-50)	1	
	CN603	QGF0534F7-60X	FFC/FPC CONNE	FFC/FPC (1-60)	1	
	CN711	QGA2021F1-04	W TO B CONNE	W-B (1-4)	1	K2,K1
	CN751	QGF0536CA-35W	FFC/FPC CONNE	FFC/FPC (1-35)	1	
	CN801	QGA2001C1-05	W TO B CONNE	W-B (1-5)	1	R1,E1,X1,M1,M2
	CN802	QGA2001C1-04	W TO B CONNE	W-B (1-4)	1	
	CN981	EC710AM-0515A	FFC FPC CONNE		1	
△	F1	FZA10BZ-7R0	FUSE (CC)		1	
△	F711	F53-0513-08	PATTERN FUSE	4A	1	
△	F712	F53-0513-08	PATTERN FUSE	4A	1	
△	F713	F53-0513-08	PATTERN FUSE	4A	1	
△	F751	NMFZ031-1R0X-H	FUSE	1A	1	
△	F791	F53-0513-08	PATTERN FUSE	4A	1	
△	F801	F53-0513-08	PATTERN FUSE	4A	1	
△	F802	F53-0513-08	PATTERN FUSE	4A	1	
△	F832	F53-0513-08	PATTERN FUSE	4A	1	
	J601	QNS0307-001	3.5 JACK		1	
	J711	QNS0307-001	3.5 JACK		1	
	J791	QNS0291-001	3.5 JACK		1	
	J921	QNZ1055-001	COAXIAL JACK		1	
	J981	NNZ0256-001X	SD CARD CONNE		1	
	VA251	SDV1005H26//0	VARIATOR		1	R1,E1,X1,M1,M2,K1
	VA252	SDV1005H26//0	VARIATOR		1	R1,E1,X1,M1,M2,K1
	VA253	SDV1005H26//0	VARIATOR		1	
	VA254	SDV1005H26//0	VARIATOR		1	
	VA711	NAF0043-8R0X	VARIATOR(ZNR)		1	
	VA712	NAF0043-8R0X	VARIATOR(ZNR)		1	
	VA713	NAF0043-8R0X	VARIATOR(ZNR)		1	
	VA791	NAF0043-8R0X	VARIATOR(ZNR)		1	
	VA792	NAF0043-8R0X	VARIATOR(ZNR)		1	
	VA793	NAF0044-270X	VARIATOR(ZNR)		1	
	VA794	NAF0044-270X	VARIATOR(ZNR)		1	
	VA823	NAF0044-270X	VARIATOR(ZNR)		1	
	VA824	NAF0044-270X	VARIATOR(ZNR)		1	
	VA832	NAF0044-270X	VARIATOR(ZNR)		1	R1,E1,X1,M1,M2
	VA835	NAF0044-270X	VARIATOR(ZNR)		1	
	VA836	NAF0043-8R0X	VARIATOR(ZNR)		1	R1,E1,X1,M1,M2
	VA837	NAF0043-8R0X	VARIATOR(ZNR)		1	R1,E1,X1,M1,M2
	VA838	NAF0043-8R0X	VARIATOR(ZNR)		1	R1,E1,X1,M1,M2
	VA921	NAF0029-002X	ESD SUPPRESSOR		1	
	X301	NAX1248-001X	CRYSTAL		1	
	X302	NAX1137-001X	CRYSTAL		1	
	X501	NAX1204-001X	CRYSTAL		1	
	X921	L7J-0051-00	QUARTZ CRYSTAL		1	
	X922	NAX1248-001X	CRYSTAL		1	
SUB PWB ASSY (XJ4-0020-00) <XJ4>						
	IC106	BD12KA5WFP-X	IC		1	
	IC701	IT68013FN/BX	MOS IC		1	
	Q702	2SK3019-X	MOS FET		1	
	D701	DA2J101	DIODE		1	
	C117	CK73FXR1A106K	C CAPACITOR	10uF 10V K	1	
	C118	CK73GXR0J106M	C CAPACITOR	10uF 6.3V M	1	
	C119	CK73GXR0J106M	C CAPACITOR	10uF 6.3V M	1	
	C121	CK73GXR0J106M	C CAPACITOR	10uF 6.3V M	1	
	C139	CK73HBB1A104K	C CAPACITOR	0.1uF 10V K	1	
	C140	CK73EXR0J476M	C CAPACITOR	47uF 6.3V M	1	
	C146	CK73HBB1C473K	C CAPACITOR	0.047uF 16V K	1	
	C700	CK73HBB1A104K	C CAPACITOR	0.1uF 10V K	1	
	C702	CK73HBB1A104K	C CAPACITOR	0.1uF 10V K	1	
	C703	CC73HCH1H470J	C CAPACITOR	47pF 50V J	1	
	C704	CK73HBB1A104K	C CAPACITOR	0.1uF 10V K	1	
	C705	CK73HBB1A104K	C CAPACITOR	0.1uF 10V K	1	
	C706	CK73HBB1H102K	C CAPACITOR	1000pF 50V K	1	
	C707	CK73HBB1A104K	C CAPACITOR	0.1uF 10V K	1	

MODEL	MARK	MODEL	MARK	MODEL	MARK	MODEL	MARK
DNX7160BTS	R1	DNX773S	K2	DNX8160DABS	E1	DNX8160DABS	X1
DNX8160S	M1	DNX8160SM	M2	DNX893S	K1		

Safe	Symbol No.	Parts No.	Parts Name	Description	QTY	Local
	C708	CK73HBB1A104K	C CAPACITOR	0.1uF 10V K	1	
	C709	CK73HBB1A104K	C CAPACITOR	0.1uF 10V K	1	
	C710	CK73HBB1A104K	C CAPACITOR	0.1uF 10V K	1	
	C711	CK73HBB1A104K	C CAPACITOR	0.1uF 10V K	1	
	C712	CK73HBB1A104K	C CAPACITOR	0.1uF 10V K	1	
	C713	CK73HBB1A104K	C CAPACITOR	0.1uF 10V K	1	
	C714	CK73HBB1A104K	C CAPACITOR	0.1uF 10V K	1	
	C715	CK73HBB1A104K	C CAPACITOR	0.1uF 10V K	1	
	C716	CK73HBB1A104K	C CAPACITOR	0.1uF 10V K	1	
	C717	CK73HBB1A104K	C CAPACITOR	0.1uF 10V K	1	
	C718	CC73HCH1H080D	C CAPACITOR	8pF 50V D	1	
	C719	CC73HCH1H080D	C CAPACITOR	8pF 50V D	1	
	C720	CK73HBB1A104K	C CAPACITOR	0.1uF 10V K	1	
	C721	CK73HBB1A104K	C CAPACITOR	0.1uF 10V K	1	
	C722	CK73HBB1A104K	C CAPACITOR	0.1uF 10V K	1	
	C723	CK73HBB1H102K	C CAPACITOR	1000pF 50V K	1	
	C724	CK73HXR0J105K	C CAPACITOR	1uF 6.3V K	1	
	C725	CK73HXR0J105K	C CAPACITOR	1uF 6.3V K	1	
	C726	CK73HXR0J105K	C CAPACITOR	1uF 6.3V K	1	
	C727	CK73HXR0J105K	C CAPACITOR	1uF 6.3V K	1	
	C728	CK73HXR0J105K	C CAPACITOR	1uF 6.3V K	1	
	R122	RK73GB2A000J	MG RESISTOR	0Ω 1/10W J	1	
	R150	RK73HB1J225J	MG RESISTOR	2.2MΩ 1/16W J	1	
	R154	RK73FB2B000J	MG RESISTOR	0Ω 1/8W J	1	
	R167	RK73HB1J101J	MG RESISTOR	100Ω 1/16W J	1	
	R169	RK73HB1J304J	MG RESISTOR	300kΩ 1/16W J	1	
	R175	RK73HB1J000J	MG RESISTOR	0Ω 1/16W J	1	
	R186	RK73GB2A000J	MG RESISTOR	0Ω 1/10W J	1	
	R187	RK73GB2A000J	MG RESISTOR	0Ω 1/10W J	1	
	R188	RK73GB2A000J	MG RESISTOR	0Ω 1/10W J	1	
	R189	RK73GB2A000J	MG RESISTOR	0Ω 1/10W J	1	
	R195	RK73GB2A000J	MG RESISTOR	0Ω 1/10W J	1	
	R196	RK73GB2A000J	MG RESISTOR	0Ω 1/10W J	1	
	R701	RK73HB1J330J	MG RESISTOR	33Ω 1/16W J	1	
	R702	RK73HB1J330J	MG RESISTOR	33Ω 1/16W J	1	
	R703	RK73HB1J330J	MG RESISTOR	33Ω 1/16W J	1	
	R705	RK73HB1J472J	MG RESISTOR	4.7kΩ 1/16W J	1	
	R706	RK73HB1J101J	MG RESISTOR	100Ω 1/16W J	1	
	R708	RK73HB1J330J	MG RESISTOR	33Ω 1/16W J	1	
	R710	RK73HB1J330J	MG RESISTOR	33Ω 1/16W J	1	
	R711	RK73HB1J330J	MG RESISTOR	33Ω 1/16W J	1	
	R713	RK73HB1J330J	MG RESISTOR	33Ω 1/16W J	1	
	R715	RK73HB1J330J	MG RESISTOR	33Ω 1/16W J	1	
	R716	RK73HB1J101J	MG RESISTOR	100Ω 1/16W J	1	
	R717	RK73HB1J101J	MG RESISTOR	100Ω 1/16W J	1	
	R718	RK73HB1J330J	MG RESISTOR	33Ω 1/16W J	1	
	R719	RK73HB1J302J	MG RESISTOR	3kΩ 1/16W J	1	
	R720	RK73HB1J152J	MG RESISTOR	1.5kΩ 1/16W J	1	
	R731	RK73HB1J330J	MG RESISTOR	33Ω 1/16W J	1	
	R732	RK73HB1J330J	MG RESISTOR	33Ω 1/16W J	1	
	R735	RK73HB1J000J	MG RESISTOR	0Ω 1/16W J	1	
	R741	RK73HB1J105J	MG RESISTOR	1MΩ 1/16W J	1	
	R750	RK73HB1J272J	MG RESISTOR	2.7kΩ 1/16W J	1	
	R755	RK73HB1J330J	MG RESISTOR	33Ω 1/16W J	1	
	R776	RK73HB1J473J	MG RESISTOR	47kΩ 1/16W J	1	
	R778	RK73HB1J103J	MG RESISTOR	10kΩ 1/16W J	1	
	R779	RK73HB1J103J	MG RESISTOR	10kΩ 1/16W J	1	
	RA700	RK74HB1J330J	NET RESISTOR	33Ω 1/16W J	1	
	RA701	RK74HB1J330J	NET RESISTOR	33Ω 1/16W J	1	
	RA702	RK74HB1J330J	NET RESISTOR	33Ω 1/16W J	1	
	RA703	RK74HB1J330J	NET RESISTOR	33Ω 1/16W J	1	
	RA704	RK74HB1J330J	NET RESISTOR	33Ω 1/16W J	1	
	RA705	RK74HB1J330J	NET RESISTOR	33Ω 1/16W J	1	
	L1	LB73G0BK-003	CHIP FERRITE		1	
	L2	LB73G0BK-003	CHIP FERRITE		1	
	CN100	QGB0803J2-40X	B TO B CONNE	B-B (1-40)	1	
	CN101	QGA1501F4-03W	W TO B CONNE	W-B (1-3)	1	
	J100	NNZ0292-001X	HDMI CONNECTOR		1	
	VA103	NAF0042-270X	VARIATOR(ZNR)		1	
	VA104	NAF0019-001X	VARIATOR(ZNR)		1	
	VA106	NAF0042-270X	VARIATOR(ZNR)		1	
	VA107	NAF0019-001X	VARIATOR(ZNR)		1	
	VA108	NAF0019-001X	VARIATOR(ZNR)		1	
	VA109	NAF0019-001X	VARIATOR(ZNR)		1	
	VA110	NAF0031-001X	ESD SUPPRESSOR		1	
	VA111	NAF0031-001X	ESD SUPPRESSOR		1	
	X700	L7J-0052-00	QUARTZ CRYSTAL		1	
DIGITAL IO PWB ASSY (XJA-042x-0x) <XJA>						
	IC501	TCC8930G-0CX	MPU IC	BGA	1	
	IC503	W3F-0178-00	IC		1	R1,X1,M1
	IC503	W3F-0177-00	IC		1	K2,E1,M2,K1
	IC525	-----	ROM IC	NO SERVICE PART	1	R1,X1,M1,M2
	IC525	-----	ROM IC	NO SERVICE PART	1	K2,E1,K1
	IC531	NT5CC256M16DD	DRAM IC	BGA	1	R1,K2,K1
	IC531	K4B4G1646EBY0	DRAM IC	BGA	1	E1,X1,M1,M2
	IC532	NT5CC256M16DD	DRAM IC	BGA	1	R1,K2,K1
	IC532	K4B4G1646EBY0	DRAM IC	BGA	1	E1,X1,M1,M2
	IC541	ML86250LAZ07F	MOS IC	BGA	1	
	IC543	TC7WBL3305CFK	MOS IC		1	
	IC544	TC7SH08FUJC	MOS IC		1	
	IC545	TC7SH32FUJC	MOS IC		1	

MODEL	MARK	MODEL	MARK	MODEL	MARK	MODEL	MARK
DNX7160BTS	R1	DNX773S	K2	DNX8160DABS	E1	DNX8160DABS	X1
DNX8160S	M1	DNX8160SM	M2	DNX893S	K1		

Safe	Symbol No.	Parts No.	Parts Name	Description	QTY	Local
	IC563	MFI337S395901	MCU IC		1	
	IC591	MP9943AGQ	ANALOG IC		1	
	IC592	MP9943AGQ	ANALOG IC		1	
	IC593	BD33KA5WFP	MOS IC		1	
	IC594	XC6223H251M-G	ANALOG IC		1	
	IC595	BU18TD3WG	MOS IC		1	
	IC596	BD00IC0EEFJ-M	ANALOG IC		1	
	IC597	BD15KA5WFP-X	IC		1	
	IC598	BD82032FVJ-G-X	IC		1	E1
	IC599	TPS2065CDBV	MOS IC		1	E1
	IC600	BD2224G-W	IC		1	E1
	IC601	MP9943AGQ	ANALOG IC		1	
	IC631	NJM2561F1	BIPOLAR IC		1	
	IC651	BU17101AKV-M	MOS IC		1	E1,X1,M1,M2
	IC5402	TC7SH08FUJC	MOS IC		1	
	IC5701	TPS2543RTE	MOS IC		1	
	IC5702	USB82512AM-A	MOS IC		1	R1,E1,X1,M1,M2,K1
	IC5704	TPS2543RTE	MOS IC		1	R1,E1,X1,M1,M2,K1
	Q5603	LTC014YEBFS8	DIGI TRANSISTOR		1	
	Q5604	LTC014YEBFS8	DIGI TRANSISTOR		1	
	Q5605	LTC014YEBFS8	DIGI TRANSISTOR		1	
	Q5606	LTC014YEBFS8	DIGI TRANSISTOR		1	
	Q5607	LSAR523UBFS8	TRANSISTOR		1	
	Q5608	LSC4617FP8/QR	TRANSISTOR		1	
	Q5801	LTA014YEBFS8	DIGI TRANSISTOR		1	
	Q5871	LTC014YEBFS8	DIGI TRANSISTOR		1	
	Q5901	LTA014EEBFS8	DIGI TRANSISTOR		1	
	Q5902	LSCR523EBFS8	TRANSISTOR		1	
	Q6301	LTC014YEBFS8	DIGI TRANSISTOR		1	
	D5871	QSMR-C13SBCMN	LED		1	
	C631	CK73HBB1A105K	C CAPACITOR	1uF 10V K	1	
	C632	CK73HBB1A104K	C CAPACITOR	0.1uF 10V K	1	
	C633	CK73FXR1A106K	C CAPACITOR	10uF 10V K	1	
	C5001	NBZ0063-107X	OS E CAPACITOR	100uF	1	
	C5002	NBZ0063-107X	OS E CAPACITOR	100uF	1	
	C5003	NBZ0063-107X	OS E CAPACITOR	100uF	1	
	C5004	CK73HBB1A104K	C CAPACITOR	0.1uF 10V K	1	
	C5005	CK73HBB0J224K	C CAPACITOR	0.22uF 6.3V K	1	
	C5006	CK73HBB1A104K	C CAPACITOR	0.1uF 10V K	1	
	C5007	CK73HBB1A104K	C CAPACITOR	0.1uF 10V K	1	
	C5008	CK73HBB1A104K	C CAPACITOR	0.1uF 10V K	1	
	C5009	CK73HBB1A104K	C CAPACITOR	0.1uF 10V K	1	
	C5010	CK73HBB1A104K	C CAPACITOR	0.1uF 10V K	1	
	C5014	CK73HBB1A104K	C CAPACITOR	0.1uF 10V K	1	
	C5015	CK73HBB1A104K	C CAPACITOR	0.1uF 10V K	1	
	C5016	CK73HBB1A104K	C CAPACITOR	0.1uF 10V K	1	
	C5018	CK73HBB1A104K	C CAPACITOR	0.1uF 10V K	1	
	C5019	CK73HBB0J224K	C CAPACITOR	0.22uF 6.3V K	1	
	C5020	CC73HCH1H181J	C CAPACITOR	180pF 50V J	1	
	C5021	CK73HBB1A104K	C CAPACITOR	0.1uF 10V K	1	
	C5022	CK73HBB1A104K	C CAPACITOR	0.1uF 10V K	1	
	C5023	CK73HBB1A104K	C CAPACITOR	0.1uF 10V K	1	
	C5024	CK73HBB1A104K	C CAPACITOR	0.1uF 10V K	1	
	C5025	CK73HBB1A104K	C CAPACITOR	0.1uF 10V K	1	
	C5026	CK73HBB1A104K	C CAPACITOR	0.1uF 10V K	1	
	C5027	CK73HBB1A104K	C CAPACITOR	0.1uF 10V K	1	
	C5028	CK73HBB1A104K	C CAPACITOR	0.1uF 10V K	1	
	C5029	CK73HBB1A104K	C CAPACITOR	0.1uF 10V K	1	
	C5030	CK73HBB1A104K	C CAPACITOR	0.1uF 10V K	1	
	C5031	CK73HBB1A104K	C CAPACITOR	0.1uF 10V K	1	
	C5032	CK73HBB1A104K	C CAPACITOR	0.1uF 10V K	1	
	C5033	CK73HBB1A104K	C CAPACITOR	0.1uF 10V K	1	
	C5034	CK73HBB1A104K	C CAPACITOR	0.1uF 10V K	1	
	C5035	CK73HBB1A104K	C CAPACITOR	0.1uF 10V K	1	
	C5036	CK73HBB1A104K	C CAPACITOR	0.1uF 10V K	1	
	C5037	CK73HBB1A104K	C CAPACITOR	0.1uF 10V K	1	
	C5038	CK73HBB1A104K	C CAPACITOR	0.1uF 10V K	1	
	C5039	CK73HBB1A104K	C CAPACITOR	0.1uF 10V K	1	
	C5041	CK73HBB1A104K	C CAPACITOR	0.1uF 10V K	1	
	C5045	CK73HBB1A104K	C CAPACITOR	0.1uF 10V K	1	
	C5047	CK73HBB1A104K	C CAPACITOR	0.1uF 10V K	1	
	C5048	CK73HBB1A104K	C CAPACITOR	0.1uF 10V K	1	
	C5049	CK73HBB1A104K	C CAPACITOR	0.1uF 10V K	1	
	C5053	CK73HBB1A104K	C CAPACITOR	0.1uF 10V K	1	
	C5054	CK73HBB1A104K	C CAPACITOR	0.1uF 10V K	1	
	C5055	CK73HBB1A104K	C CAPACITOR	0.1uF 10V K	1	
	C5056	CK73HBB1A104K	C CAPACITOR	0.1uF 10V K	1	
	C5057	CC73HCH1H080D	C CAPACITOR	8pF 50V D	1	
	C5058	CK73HBB1A104K	C CAPACITOR	0.1uF 10V K	1	
	C5061	CK73HBB1A104K	C CAPACITOR	0.1uF 10V K	1	
	C5062	CK73HBB1A104K	C CAPACITOR	0.1uF 10V K	1	
	C5063	CK73HBB1A104K	C CAPACITOR	0.1uF 10V K	1	
	C5065	CK73HBB1A104K	C CAPACITOR	0.1uF 10V K	1	
	C5066	CK73HBB1A104K	C CAPACITOR	0.1uF 10V K	1	
	C5067	CK73HBB1A104K	C CAPACITOR	0.1uF 10V K	1	
	C5068	CK73HBB1A104K	C CAPACITOR	0.1uF 10V K	1	
	C5069	CK73HBB1A104K	C CAPACITOR	0.1uF 10V K	1	
	C5071	CK73HBB1A104K	C CAPACITOR	0.1uF 10V K	1	
	C5072	CK73HBB1A104K	C CAPACITOR	0.1uF 10V K	1	
	C5073	CK73HBB1A104K	C CAPACITOR	0.1uF 10V K	1	

MODEL	MARK	MODEL	MARK	MODEL	MARK	MODEL	MARK
DNX7160BTS	R1	DNX773S	K2	DNX8160DABS	E1	DNX8160DABS	X1
DNX8160S	M1	DNX8160SM	M2	DNX893S	K1		

Safe	Symbol No.	Parts No.	Parts Name	Description	QTY	Local
	C5074	CK73HBB1A104K	C CAPACITOR	0.1uF 10V K	1	
	C5075	CK73HBB1A104K	C CAPACITOR	0.1uF 10V K	1	
	C5076	CK73HBB1A104K	C CAPACITOR	0.1uF 10V K	1	
	C5077	CK73HBB1A104K	C CAPACITOR	0.1uF 10V K	1	
	C5078	CK73HBB1A104K	C CAPACITOR	0.1uF 10V K	1	
	C5079	CK73HBB1A104K	C CAPACITOR	0.1uF 10V K	1	
	C5080	CC73HCH1H100D	C CAPACITOR	10pF 50V D	1	
	C5083	CK73HBB1A104K	C CAPACITOR	0.1uF 10V K	1	
	C5084	CK73HBB1A104K	C CAPACITOR	0.1uF 10V K	1	
	C5085	CK73HBB1A104K	C CAPACITOR	0.1uF 10V K	1	
	C5086	CK73HBB1A104K	C CAPACITOR	0.1uF 10V K	1	
	C5087	CK73HBB1A104K	C CAPACITOR	0.1uF 10V K	1	
	C5088	CK73HBB1A104K	C CAPACITOR	0.1uF 10V K	1	
	C5089	CK73HBB1A104K	C CAPACITOR	0.1uF 10V K	1	
	C5096	CC73HCH1H102J	C CAPACITOR	1000pF 50V J	1	
	C5097	CC73HCH1H102J	C CAPACITOR	1000pF 50V J	1	
	C5098	CC73HCH1H102J	C CAPACITOR	1000pF 50V J	1	
	C5099	NBZ0063-107X	OS E CAPACITOR	100uF	1	
	C5100	CC73HCH1H102J	C CAPACITOR	1000pF 50V J	1	
	C5102	CK73HBB1A104K	C CAPACITOR	0.1uF 10V K	1	
	C5103	CK73HBB1A104K	C CAPACITOR	0.1uF 10V K	1	
	C5104	CK73HBB1A104K	C CAPACITOR	0.1uF 10V K	1	
	C5201	NBZ0063-107X	OS E CAPACITOR	100uF	1	
	C5202	CC73HCH1H102J	C CAPACITOR	1000pF 50V J	1	
	C5203	CK73HBB1A104K	C CAPACITOR	0.1uF 10V K	1	
	C5204	CK73HBB1A104K	C CAPACITOR	0.1uF 10V K	1	
	C5251	CK73FXR1C106K	C CAPACITOR	10uF 16V K	1	
	C5252	CK73FXR1C106K	C CAPACITOR	10uF 16V K	1	
	C5253	CK73HBB1A104K	C CAPACITOR	0.1uF 10V K	1	
	C5255	CK73HBB1A104K	C CAPACITOR	0.1uF 10V K	1	
	C5259	CK73HBB1A104K	C CAPACITOR	0.1uF 10V K	1	
	C5263	CK73FXR1C475K	C CAPACITOR	4.7uF 16V K	1	
	C5269	CK73FXR1C475K	C CAPACITOR	4.7uF 16V K	1	
	C5301	NBZ0063-107X	OS E CAPACITOR	100uF	1	
	C5302	CC73HCH1H181J	C CAPACITOR	180pF 50V J	1	
	C5303	CK73HBB1A104K	C CAPACITOR	0.1uF 10V K	1	
	C5304	CC73HCH1H181J	C CAPACITOR	180pF 50V J	1	
	C5305	CK73HBB1A104K	C CAPACITOR	0.1uF 10V K	1	
	C5306	CC73HCH1H181J	C CAPACITOR	180pF 50V J	1	
	C5307	CK73HBB1A104K	C CAPACITOR	0.1uF 10V K	1	
	C5308	CC73HCH1H181J	C CAPACITOR	180pF 50V J	1	
	C5309	CK73HBB1A104K	C CAPACITOR	0.1uF 10V K	1	
	C5311	CK73HBB1A104K	C CAPACITOR	0.1uF 10V K	1	
	C5312	CC73HCH1H181J	C CAPACITOR	180pF 50V J	1	
	C5313	CK73HBB1A104K	C CAPACITOR	0.1uF 10V K	1	
	C5314	CC73HCH1H181J	C CAPACITOR	180pF 50V J	1	
	C5315	CK73HBB1A104K	C CAPACITOR	0.1uF 10V K	1	
	C5316	CC73HCH1H181J	C CAPACITOR	180pF 50V J	1	
	C5317	CC73HCH1H181J	C CAPACITOR	180pF 50V J	1	
	C5318	CK73HBB1A104K	C CAPACITOR	0.1uF 10V K	1	
	C5319	CK73HBB1A104K	C CAPACITOR	0.1uF 10V K	1	
	C5320	CC73HCH1H181J	C CAPACITOR	180pF 50V J	1	
	C5321	CC73HCH1H181J	C CAPACITOR	180pF 50V J	1	
	C5322	CK73HBB1A104K	C CAPACITOR	0.1uF 10V K	1	
	C5323	CK73HBB1A104K	C CAPACITOR	0.1uF 10V K	1	
	C5324	CK73HBB1A104K	C CAPACITOR	0.1uF 10V K	1	
	C5325	CK73HBB1A104K	C CAPACITOR	0.1uF 10V K	1	
	C5326	CK73HBB1A104K	C CAPACITOR	0.1uF 10V K	1	
	C5327	CK73HBB1A104K	C CAPACITOR	0.1uF 10V K	1	
	C5328	CK73HBB1A104K	C CAPACITOR	0.1uF 10V K	1	
	C5329	CK73HBB1A104K	C CAPACITOR	0.1uF 10V K	1	
	C5330	CC73HCH1H181J	C CAPACITOR	180pF 50V J	1	
	C5331	CK73HBB1A104K	C CAPACITOR	0.1uF 10V K	1	
	C5332	CC73HCH1H181J	C CAPACITOR	180pF 50V J	1	
	C5333	CK73HBB1A104K	C CAPACITOR	0.1uF 10V K	1	
	C5334	CC73HCH1H181J	C CAPACITOR	180pF 50V J	1	
	C5335	CK73HBB1A104K	C CAPACITOR	0.1uF 10V K	1	
	C5336	CC73HCH1H181J	C CAPACITOR	180pF 50V J	1	
	C5337	CK73HBB1A104K	C CAPACITOR	0.1uF 10V K	1	
	C5338	CC73HCH1H181J	C CAPACITOR	180pF 50V J	1	
	C5339	CK73HBB1A104K	C CAPACITOR	0.1uF 10V K	1	
	C5340	CC73HCH1H181J	C CAPACITOR	180pF 50V J	1	
	C5341	CK73HBB1A104K	C CAPACITOR	0.1uF 10V K	1	
	C5342	CC73HCH1H181J	C CAPACITOR	180pF 50V J	1	
	C5343	CK73HBB1A104K	C CAPACITOR	0.1uF 10V K	1	
	C5344	CC73HCH1H181J	C CAPACITOR	180pF 50V J	1	
	C5345	CK73HBB1A104K	C CAPACITOR	0.1uF 10V K	1	
	C5346	CC73HCH1H181J	C CAPACITOR	180pF 50V J	1	
	C5347	CK73HBB1A104K	C CAPACITOR	0.1uF 10V K	1	
	C5348	CC73HCH1H181J	C CAPACITOR	180pF 50V J	1	
	C5349	CC73HCH1H181J	C CAPACITOR	180pF 50V J	1	
	C5350	CC73HCH1H181J	C CAPACITOR	180pF 50V J	1	
	C5351	CC73HCH1H181J	C CAPACITOR	180pF 50V J	1	
	C5352	CK73HBB1A104K	C CAPACITOR	0.1uF 10V K	1	
	C5353	CC73HCH1H181J	C CAPACITOR	180pF 50V J	1	
	C5354	CK73HBB1A104K	C CAPACITOR	0.1uF 10V K	1	
	C5355	CC73HCH1H181J	C CAPACITOR	180pF 50V J	1	
	C5356	CK73HBB1A104K	C CAPACITOR	0.1uF 10V K	1	
	C5357	CC73HCH1H181J	C CAPACITOR	180pF 50V J	1	
	C5358	CK73HBB1A104K	C CAPACITOR	0.1uF 10V K	1	
	C5359	CK73HBB1A104K	C CAPACITOR	0.1uF 10V K	1	
	C5360	CK73HBB1A104K	C CAPACITOR	0.1uF 10V K	1	

MODEL	MARK	MODEL	MARK	MODEL	MARK	MODEL	MARK
DNX7160BTS	R1	DNX773S	K2	DNX8160DABS	E1	DNX8160DABS	X1
DNX8160S	M1	DNX8160SM	M2	DNX893S	K1		

Safe	Symbol No.	Parts No.	Parts Name	Description	QTY	Local
	C5361	CK73HBB1A104K	C CAPACITOR	0.1uF 10V K	1	
	C5362	CK73HBB1A104K	C CAPACITOR	0.1uF 10V K	1	
	C5363	CK73HBB1A104K	C CAPACITOR	0.1uF 10V K	1	
	C5364	CK73HBB1A104K	C CAPACITOR	0.1uF 10V K	1	
	C5365	CC73HCH1H181J	C CAPACITOR	180pF 50V J	1	
	C5366	CK73HBB1A104K	C CAPACITOR	0.1uF 10V K	1	
	C5367	CC73HCH1H181J	C CAPACITOR	180pF 50V J	1	
	C5368	CK73HBB1A104K	C CAPACITOR	0.1uF 10V K	1	
	C5369	CC73HCH1H181J	C CAPACITOR	180pF 50V J	1	
	C5370	CC73HCH1H181J	C CAPACITOR	180pF 50V J	1	
	C5372	CK73HBB1A104K	C CAPACITOR	0.1uF 10V K	1	
	C5373	CC73HCH1H181J	C CAPACITOR	180pF 50V J	1	
	C5374	CK73HBB1A104K	C CAPACITOR	0.1uF 10V K	1	
	C5375	CC73HCH1H181J	C CAPACITOR	180pF 50V J	1	
	C5376	CK73HBB1A104K	C CAPACITOR	0.1uF 10V K	1	
	C5377	CC73HCH1H181J	C CAPACITOR	180pF 50V J	1	
	C5378	CK73HBB1A104K	C CAPACITOR	0.1uF 10V K	1	
	C5379	CC73HCH1H181J	C CAPACITOR	180pF 50V J	1	
	C5380	CK73HBB1A104K	C CAPACITOR	0.1uF 10V K	1	
	C5381	CC73HCH1H181J	C CAPACITOR	180pF 50V J	1	
	C5382	CC73HCH1H181J	C CAPACITOR	180pF 50V J	1	
	C5383	CK73HBB1A104K	C CAPACITOR	0.1uF 10V K	1	
	C5385	CC73HCH1H102J	C CAPACITOR	1000pF 50V J	1	
	C5471	CK73HBB1A104K	C CAPACITOR	0.1uF 10V K	1	
	C5472	CK73HBB1A104K	C CAPACITOR	0.1uF 10V K	1	
	C5473	CK73HBB1A104K	C CAPACITOR	0.1uF 10V K	1	
	C5474	CK73HBB1H103K	C CAPACITOR	0.01uF 50V K	1	
	C5479	CK73HBB1A104K	C CAPACITOR	0.1uF 10V K	1	
	C5480	CK73HBB1A104K	C CAPACITOR	0.1uF 10V K	1	
	C5481	CK73HBB1A104K	C CAPACITOR	0.1uF 10V K	1	
	C5482	CK73HBB1A104K	C CAPACITOR	0.1uF 10V K	1	
	C5484	CK73HBB1A104K	C CAPACITOR	0.1uF 10V K	1	
	C5485	CK73HBB1A104K	C CAPACITOR	0.1uF 10V K	1	
	C5486	CK73HBB1A104K	C CAPACITOR	0.1uF 10V K	1	
	C5487	CK73HBB1A104K	C CAPACITOR	0.1uF 10V K	1	
	C5488	CK73HBB1A104K	C CAPACITOR	0.1uF 10V K	1	
	C5489	CK73HBB1A104K	C CAPACITOR	0.1uF 10V K	1	
	C5490	CK73HBB1A104K	C CAPACITOR	0.1uF 10V K	1	
	C5491	CK73FXR1A106K	C CAPACITOR	10uF 10V K	1	
	C5493	CK73FXR1A106K	C CAPACITOR	10uF 10V K	1	
	C5494	CK73GXR0J106M	C CAPACITOR	10uF 6.3V M	1	
	C5495	CK73GXR0J106M	C CAPACITOR	10uF 6.3V M	1	
	C5496	CK73FXR1A106K	C CAPACITOR	10uF 10V K	1	
	C5497	CK73GXR0J106M	C CAPACITOR	10uF 6.3V M	1	
	C5498	CK73FXR1A106K	C CAPACITOR	10uF 10V K	1	
	C5499	CK73GXR0J106M	C CAPACITOR	10uF 6.3V M	1	
	C5500	CK73HBB1H103K	C CAPACITOR	0.01uF 50V K	1	
	C5501	CK73HBB1H103K	C CAPACITOR	0.01uF 50V K	1	
	C5502	CK73HBB1H103K	C CAPACITOR	0.01uF 50V K	1	
	C5503	CK73HBB1H103K	C CAPACITOR	0.01uF 50V K	1	
	C5504	CC73HCH1H102J	C CAPACITOR	1000pF 50V J	1	
	C5505	CC73HCH1H102J	C CAPACITOR	1000pF 50V J	1	
	C5506	CC73HCH1H102J	C CAPACITOR	1000pF 50V J	1	
	C5507	CK73GBB1A105K	C CAPACITOR	1uF 10V K	1	
	C5508	CK73GBB1A105K	C CAPACITOR	1uF 10V K	1	
	C5509	CK73GBB1A105K	C CAPACITOR	1uF 10V K	1	
	C5510	CK73GBB1A105K	C CAPACITOR	1uF 10V K	1	
	C5511	CC73HCH1H100D	C CAPACITOR	10pF 50V D	1	
	C5512	CC73HCH1H100D	C CAPACITOR	10pF 50V D	1	
	C5513	CK73GBB1A105K	C CAPACITOR	1uF 10V K	1	
	C5514	CK73GBB1A105K	C CAPACITOR	1uF 10V K	1	
	C5515	CK73GBB1A105K	C CAPACITOR	1uF 10V K	1	
	C5516	CK73GXR0J106M	C CAPACITOR	10uF 6.3V M	1	
	C5517	CK73GXR0J106M	C CAPACITOR	10uF 6.3V M	1	
	C5518	CK73FXR1A106K	C CAPACITOR	10uF 10V K	1	
	C5519	CK73FXR1A106K	C CAPACITOR	10uF 10V K	1	
	C5520	CK73HBB1A104K	C CAPACITOR	0.1uF 10V K	1	
	C5521	CK73GBB1A105K	C CAPACITOR	1uF 10V K	1	
	C5523	CK73GBB1A105K	C CAPACITOR	1uF 10V K	1	
	C5524	CK73GBB1A105K	C CAPACITOR	1uF 10V K	1	
	C5530	CK73HBB1A104K	C CAPACITOR	0.1uF 10V K	1	
	C5632	CK73HBB1A104K	C CAPACITOR	0.1uF 10V K	1	
	C5701	CK73HBB1C104K	C CAPACITOR	0.1uF 16V K	1	
	C5702	CK73FXR1C106K	C CAPACITOR	10uF 16V K	1	R1,E1,X1,M1,M2,K1
	C5703	CK73HBB1A104K	C CAPACITOR	0.1uF 10V K	1	R1,E1,X1,M1,M2,K1
	C5704	CC73HCH1H100D	C CAPACITOR	10pF 50V D	1	R1,E1,X1,M1,M2,K1
	C5705	CC73HCH1H100D	C CAPACITOR	10pF 50V D	1	R1,E1,X1,M1,M2,K1
	C5706	CK73HBB1A104K	C CAPACITOR	0.1uF 10V K	1	R1,E1,X1,M1,M2,K1
	C5707	CK73HBB1A104K	C CAPACITOR	0.1uF 10V K	1	R1,E1,X1,M1,M2,K1
	C5710	CK73HBB1A104K	C CAPACITOR	0.1uF 10V K	1	R1,E1,X1,M1,M2,K1
	C5711	CK73HBB1A104K	C CAPACITOR	0.1uF 10V K	1	R1,E1,X1,M1,M2,K1
	C5714	CK73HBB1A104K	C CAPACITOR	0.1uF 10V K	1	R1,E1,X1,M1,M2,K1
	C5716	CK73GBB1A105K	C CAPACITOR	1uF 10V K	1	R1,E1,X1,M1,M2,K1
	C5717	CK73HBB1A104K	C CAPACITOR	0.1uF 10V K	1	R1,E1,X1,M1,M2,K1
	C5718	CK73HBB1C103K	C CAPACITOR	0.01uF 16V K	1	R1,E1,X1,M1,M2,K1
	C5719	CK73HBB1A104K	C CAPACITOR	0.1uF 10V K	1	R1,E1,X1,M1,M2,K1
	C5720	CK73GBB1A105K	C CAPACITOR	1uF 10V K	1	R1,E1,X1,M1,M2,K1
	C5721	CK73HBB1A104K	C CAPACITOR	0.1uF 10V K	1	R1,E1,X1,M1,M2,K1
	C5730	CK73HBB1C104K	C CAPACITOR	0.1uF 16V K	1	R1,E1,X1,M1,M2,K1
	C5901	CK73EXR1E106K	C CAPACITOR	10uF 25V K	1	

MODEL	MARK	MODEL	MARK	MODEL	MARK	MODEL	MARK
DNX7160BTS	R1	DNX773S	K2	DNX8160DABS	E1	DNX8160DABS	X1
DNX8160S	M1	DNX8160SM	M2	DNX893S	K1		

Safe	Symbol No.	Parts No.	Parts Name	Description	QTY	Local
	C5902	CK73EXR1E106K	C CAPACITOR	10uF 25V K	1	
	C5903	CK73EXR1E106K	C CAPACITOR	10uF 25V K	1	
	C5904	CK73EXR1E106K	C CAPACITOR	10uF 25V K	1	
	C5905	CK73GXR1E224K	C CAPACITOR	0.22uF 25V K	1	
	C5907	CK73HBB1C104K	C CAPACITOR	0.1uF 16V K	1	
	C5908	CK73HBB1C104K	C CAPACITOR	0.1uF 16V K	1	
	C5909	CC73HCH1H102J	C CAPACITOR	1000pF 50V J	1	
	C5910	CC73HCH1H560J	C CAPACITOR	56pF 50V J	1	
	C5911	CK73EXR1A476K	C CAPACITOR	47uF 10V K	1	
	C5912	CK73EXR1A476K	C CAPACITOR	47uF 10V K	1	
	C5913	CC73HCH1H221J	C CAPACITOR	220pF 50V J	1	
	C5914	CK73EXR1E106K	C CAPACITOR	10uF 25V K	1	
	C5915	CK73EXR1E106K	C CAPACITOR	10uF 25V K	1	
	C5916	CK73EXR1E106K	C CAPACITOR	10uF 25V K	1	
	C5917	CK73EXR1E106K	C CAPACITOR	10uF 25V K	1	
	C5918	CK73GXR1E224K	C CAPACITOR	0.22uF 25V K	1	
	C5920	CK73HBB1C104K	C CAPACITOR	0.1uF 16V K	1	
	C5921	CK73HBB1C104K	C CAPACITOR	0.1uF 16V K	1	
	C5922	CC73HCH1H102J	C CAPACITOR	1000pF 50V J	1	
	C5923	CC73HCH1H470J	C CAPACITOR	47pF 50V J	1	
	C5924	CK73EXR1A476K	C CAPACITOR	47uF 10V K	1	
	C5925	CK73EXR1A476K	C CAPACITOR	47uF 10V K	1	
	C5926	CC73HCH1H221J	C CAPACITOR	220pF 50V J	1	
	C5927	CK73FXR1C106K	C CAPACITOR	10uF 16V K	1	
	C5928	CK73FXR1C106K	C CAPACITOR	10uF 16V K	1	
	C5931	CK73FXR1C106K	C CAPACITOR	10uF 16V K	1	
	C5932	CK73FXR1C106K	C CAPACITOR	10uF 16V K	1	
	C5933	CK73GBB1C105K	C CAPACITOR	1uF 16V K	1	
	C5934	CK73GBB1C105K	C CAPACITOR	1uF 16V K	1	
	C5936	CK73FXR1C106K	C CAPACITOR	10uF 16V K	1	
	C5937	CK73FXR1C106K	C CAPACITOR	10uF 16V K	1	
	C5938	CK73FXR1C106K	C CAPACITOR	10uF 16V K	1	
	C5940	CK73FXR1C106K	C CAPACITOR	10uF 16V K	1	
	C5941	CK73FXR1C106K	C CAPACITOR	10uF 16V K	1	
	C5944	CK73HBB1C104K	C CAPACITOR	0.1uF 16V K	1	E1
	C5945	CK73HBB1C104K	C CAPACITOR	0.1uF 16V K	1	E1
	C5946	CK73HBB1A104K	C CAPACITOR	0.1uF 10V K	1	E1
	C5947	CK73GBB1C105K	C CAPACITOR	1uF 16V K	1	E1
	C5948	CK73HBB1C104K	C CAPACITOR	0.1uF 16V K	1	E1
	C5949	CK73HBB1C104K	C CAPACITOR	0.1uF 16V K	1	E1
	C5961	CC73HCH1H220J	C CAPACITOR	22pF 50V J	1	
	C5962	CC73HCH1H220J	C CAPACITOR	22pF 50V J	1	
	C5963	CC73HCH1H220J	C CAPACITOR	22pF 50V J	1	
	C5971	CK73EXR1E106K	C CAPACITOR	10uF 25V K	1	
	C5972	CK73EXR1E106K	C CAPACITOR	10uF 25V K	1	
	C5973	CK73EXR1E106K	C CAPACITOR	10uF 25V K	1	
	C5974	CK73EXR1E106K	C CAPACITOR	10uF 25V K	1	
	C5975	CK73GXR1E224K	C CAPACITOR	0.22uF 25V K	1	
	C5976	CK73EXR1E106K	C CAPACITOR	10uF 25V K	1	
	C5977	CK73EXR1E106K	C CAPACITOR	10uF 25V K	1	
	C5978	CK73EXR1E106K	C CAPACITOR	10uF 25V K	1	
	C5979	CK73EXR1E106K	C CAPACITOR	10uF 25V K	1	
	C5980	CK73GXR1E224K	C CAPACITOR	0.22uF 25V K	1	
	C5981	CK73EXR1E106K	C CAPACITOR	10uF 25V K	1	
	C5982	CK73EXR1E106K	C CAPACITOR	10uF 25V K	1	
	C5983	CK73EXR1E106K	C CAPACITOR	10uF 25V K	1	
	C5984	CK73EXR1E106K	C CAPACITOR	10uF 25V K	1	
	C5985	CK73GXR1E224K	C CAPACITOR	0.22uF 25V K	1	
	C5986	CK73EXR1E106K	C CAPACITOR	10uF 25V K	1	
	C5987	CK73EXR1E106K	C CAPACITOR	10uF 25V K	1	
	C5988	CK73EXR1E106K	C CAPACITOR	10uF 25V K	1	
	C5989	CK73EXR1E106K	C CAPACITOR	10uF 25V K	1	
	C5990	CK73GXR1E224K	C CAPACITOR	0.22uF 25V K	1	
	C5991	CK73HBB1C104K	C CAPACITOR	0.1uF 16V K	1	
	C5993	CK73HBB1C104K	C CAPACITOR	0.1uF 16V K	1	
	C5994	CC73HCH1H102J	C CAPACITOR	1000pF 50V J	1	
	C5995	CC73HCH1H470J	C CAPACITOR	47pF 50V J	1	
	C5996	CK73EXR1A476K	C CAPACITOR	47uF 10V K	1	
	C5997	CK73EXR1A476K	C CAPACITOR	47uF 10V K	1	
	C5998	CC73HCH1H221J	C CAPACITOR	220pF 50V J	1	
	C6020	CC73HCH1H100D	C CAPACITOR	10pF 50V D	1	R1,K2,K1
	C6026	CK73FXR1C106K	C CAPACITOR	10uF 16V K	1	
	C6027	CC73HCH1H471J	C CAPACITOR	470pF 50V J	1	
	C6028	CK73HBB1C104K	C CAPACITOR	0.1uF 16V K	1	
	C6029	CK73HBB1H103K	C CAPACITOR	0.01uF 50V K	1	
	C6030	CK73HBB1C104K	C CAPACITOR	0.1uF 16V K	1	
	C6301	CC73HCH1H102J	C CAPACITOR	1000pF 50V J	1	
	C6501	CK73HBB1A104K	C CAPACITOR	0.1uF 10V K	1	E1,X1,M1,M2
	C6502	CC73HCH1H102J	C CAPACITOR	1000pF 50V J	1	E1,X1,M1,M2
	C6504	CK73HXR0J474K	C CAPACITOR	0.47uF 6.3V K	1	E1,X1,M1,M2
	C6505	CC73HCH1H102J	C CAPACITOR	1000pF 50V J	1	E1,X1,M1,M2
	C6506	CK73HBB1A104K	C CAPACITOR	0.1uF 10V K	1	E1,X1,M1,M2
	C6507	CC73HCH1H102J	C CAPACITOR	1000pF 50V J	1	E1,X1,M1,M2
	C6508	CK73HBB1A104K	C CAPACITOR	0.1uF 10V K	1	E1,X1,M1,M2
	C6509	CC73HCH1H102J	C CAPACITOR	1000pF 50V J	1	E1,X1,M1,M2
	C6510	CK73HBB1A104K	C CAPACITOR	0.1uF 10V K	1	E1,X1,M1,M2
	C6511	CK73HBB1A104K	C CAPACITOR	0.1uF 10V K	1	E1,X1,M1,M2
	C6512	CC73HCH1H102J	C CAPACITOR	1000pF 50V J	1	E1,X1,M1,M2
	C6514	CK73HBB1H103K	C CAPACITOR	0.01uF 50V K	1	E1,X1,M1,M2
	C6516	CK73HBB1A104K	C CAPACITOR	0.1uF 10V K	1	E1,X1,M1,M2
	C6517	CK73HBB1A104K	C CAPACITOR	0.1uF 10V K	1	E1,X1,M1,M2
	C6518	CC73HCH1H102J	C CAPACITOR	1000pF 50V J	1	E1,X1,M1,M2

MODEL	MARK	MODEL	MARK	MODEL	MARK	MODEL	MARK
DNX7160BTS	R1	DNX773S	K2	DNX8160DABS	E1	DNX8160DABS	X1
DNX8160S	M1	DNX8160SM	M2	DNX893S	K1		

Safe	Symbol No.	Parts No.	Parts Name	Description	QTY	Local
	C6519	CK73FXR1C106K	C CAPACITOR	10uF 16V K	1	E1,X1,M1,M2
	R2	RK73GB2A000J	MG RESISTOR	0Ω 1/10W J	1	
	R6	RK73GB2A000J	MG RESISTOR	0Ω 1/10W J	1	
	R570	RK73HB1J000J	MG RESISTOR	0Ω 1/16W J	1	
	R581	RK73HB1J000J	MG RESISTOR	0Ω 1/16W J	1	
	R631	RK73HH1J750D	MG RESISTOR	75Ω 1/16W D	1	
	R632	RK73HH1J750D	MG RESISTOR	75Ω 1/16W D	1	
	R633	RK73HB1J471J	MG RESISTOR	470Ω 1/16W J	1	
	R5001	RK73HH1J102D	MG RESISTOR	1kΩ 1/16W D	1	
	R5002	RK73HB1J105J	MG RESISTOR	1MΩ 1/16W J	1	
	R5003	RK73HH1J102D	MG RESISTOR	1kΩ 1/16W D	1	
	R5005	RK73HB1J472J	MG RESISTOR	4.7kΩ 1/16W J	1	
	R5007	RK73HB1J472J	MG RESISTOR	4.7kΩ 1/16W J	1	
	R5008	RK73HB1J472J	MG RESISTOR	4.7kΩ 1/16W J	1	
	R5009	RK73HB1J103J	MG RESISTOR	10kΩ 1/16W J	1	
	R5012	RK73HB1J000J	MG RESISTOR	0Ω 1/16W J	1	
	R5014	RK73HB1J000J	MG RESISTOR	0Ω 1/16W J	1	
	R5015	RK73HB1J000J	MG RESISTOR	0Ω 1/16W J	1	
	R5016	RK73HB1J272J	MG RESISTOR	2.7kΩ 1/16W J	1	
	R5017	RK73HB1J000J	MG RESISTOR	0Ω 1/16W J	1	
	R5019	RK73HB1J000J	MG RESISTOR	0Ω 1/16W J	1	
	R5020	RK73HB1J272J	MG RESISTOR	2.7kΩ 1/16W J	1	
	R5021	RK73HB1J103J	MG RESISTOR	10kΩ 1/16W J	1	R1,K2
	R5022	RK73HB1J103J	MG RESISTOR	10kΩ 1/16W J	1	E1,X1,M1,M2,K1
	R5023	RK73HB1J272J	MG RESISTOR	2.7kΩ 1/16W J	1	
	R5024	RK73HB1J103J	MG RESISTOR	10kΩ 1/16W J	1	
	R5025	RK73HB1J472J	MG RESISTOR	4.7kΩ 1/16W J	1	
	R5027	RK73HB1J103J	MG RESISTOR	10kΩ 1/16W J	1	
	R5028	RK73HB1J472J	MG RESISTOR	4.7kΩ 1/16W J	1	
	R5029	RK73HB1J272J	MG RESISTOR	2.7kΩ 1/16W J	1	
	R5030	RK73HH1J201D	MG RESISTOR	200Ω 1/16W D	1	
	R5031	RK73HB1J102J	MG RESISTOR	1kΩ 1/16W J	1	
	R5032	RK73HB1J272J	MG RESISTOR	2.7kΩ 1/16W J	1	
	R5033	RK73HB1J272J	MG RESISTOR	2.7kΩ 1/16W J	1	
	R5034	RK73HB1J102J	MG RESISTOR	1kΩ 1/16W J	1	
	R5035	RK73HH1J44R2D	MG RESISTOR	44.2Ω 1/16W D	1	
	R5036	RK73HB1J000J	MG RESISTOR	0Ω 1/16W J	1	
	R5037	RK73HB1J272J	MG RESISTOR	2.7kΩ 1/16W J	1	
	R5038	RK73HB1J000J	MG RESISTOR	0Ω 1/16W J	1	
	R5039	RK73HB1J103J	MG RESISTOR	10kΩ 1/16W J	1	K2,X1,K1
	R5040	RK73HB1J472J	MG RESISTOR	4.7kΩ 1/16W J	1	
	R5043	RK73HH1J241D	MG RESISTOR	240Ω 1/16W D	1	
	R5044	RK73HB1J122J	MG RESISTOR	1.2kΩ 1/16W J	1	
	R5045	RK73HB1J472J	MG RESISTOR	4.7kΩ 1/16W J	1	
	R5046	RK73HB1J103J	MG RESISTOR	10kΩ 1/16W J	1	
	R5047	RK73HB1J103J	MG RESISTOR	10kΩ 1/16W J	1	
	R5048	RK73HB1J000J	MG RESISTOR	0Ω 1/16W J	1	
	R5050	RK73HB1J272J	MG RESISTOR	2.7kΩ 1/16W J	1	
	R5051	RK73HB1J272J	MG RESISTOR	2.7kΩ 1/16W J	1	
	R5052	RK73GB2A000J	MG RESISTOR	0Ω 1/10W J	1	
	R5053	RK73HB1J103J	MG RESISTOR	10kΩ 1/16W J	1	
	R5054	RK73HB1J103J	MG RESISTOR	10kΩ 1/16W J	1	
	R5057	RK73HB1J223J	MG RESISTOR	22kΩ 1/16W J	1	
	R5058	RK73HB1J101J	MG RESISTOR	100Ω 1/16W J	1	
	R5060	RK73HB1J103J	MG RESISTOR	10kΩ 1/16W J	1	
	R5061	RK73HB1J272J	MG RESISTOR	2.7kΩ 1/16W J	1	
	R5063	RK73HB1J103J	MG RESISTOR	10kΩ 1/16W J	1	
	R5064	RK73HB1J103J	MG RESISTOR	10kΩ 1/16W J	1	
	R5065	RK73HB1J103J	MG RESISTOR	10kΩ 1/16W J	1	
	R5066	RK73HB1J103J	MG RESISTOR	10kΩ 1/16W J	1	
	R5068	RK73HB1J103J	MG RESISTOR	10kΩ 1/16W J	1	
	R5070	RK73HB1J470J	MG RESISTOR	47Ω 1/16W J	1	
	R5071	RK73HB1J470J	MG RESISTOR	47Ω 1/16W J	1	
	R5072	RK73HB1J000J	MG RESISTOR	0Ω 1/16W J	1	
	R5073	RK73HB1J470J	MG RESISTOR	47Ω 1/16W J	1	
	R5074	RK73HB1J103J	MG RESISTOR	10kΩ 1/16W J	1	
	R5076	RK73HB1J000J	MG RESISTOR	0Ω 1/16W J	1	
	R5078	RK73HB1J000J	MG RESISTOR	0Ω 1/16W J	1	
	R5079	RK73HB1J000J	MG RESISTOR	0Ω 1/16W J	1	
	R5081	RK73HB1J000J	MG RESISTOR	0Ω 1/16W J	1	
	R5083	RK73HB1J103J	MG RESISTOR	10kΩ 1/16W J	1	
	R5089	RK73HB1J103J	MG RESISTOR	10kΩ 1/16W J	1	
	R5090	RK73HB1J103J	MG RESISTOR	10kΩ 1/16W J	1	
	R5091	RK73HB1J103J	MG RESISTOR	10kΩ 1/16W J	1	
	R5093	RK73HB1J272J	MG RESISTOR	2.7kΩ 1/16W J	1	
	R5095	RK73HB1J103J	MG RESISTOR	10kΩ 1/16W J	1	
	R5098	RK73HB1J103J	MG RESISTOR	10kΩ 1/16W J	1	
	R5100	RK73HB1J103J	MG RESISTOR	10kΩ 1/16W J	1	
	R5102	RK73HB1J103J	MG RESISTOR	10kΩ 1/16W J	1	
	R5103	RK73HB1J103J	MG RESISTOR	10kΩ 1/16W J	1	
	R5105	RK73HB1J103J	MG RESISTOR	10kΩ 1/16W J	1	
	R5109	RK73HB1J103J	MG RESISTOR	10kΩ 1/16W J	1	
	R5111	RK73GB2A000J	MG RESISTOR	0Ω 1/10W J	1	
	R5112	RK73GB2A000J	MG RESISTOR	0Ω 1/10W J	1	
	R5113	RK73HB1J103J	MG RESISTOR	10kΩ 1/16W J	1	
	R5114	RK73GB2A000J	MG RESISTOR	0Ω 1/10W J	1	
	R5115	RK73HB1J103J	MG RESISTOR	10kΩ 1/16W J	1	
	R5116	RK73HB1J103J	MG RESISTOR	10kΩ 1/16W J	1	
	R5120	RK73HB1J103J	MG RESISTOR	10kΩ 1/16W J	1	E1,X1,M1,M2
	R5122	RK73HB1J000J	MG RESISTOR	0Ω 1/16W J	1	

MODEL	MARK	MODEL	MARK	MODEL	MARK	MODEL	MARK
DNX7160BTS	R1	DNX773S	K2	DNX8160DABS	E1	DNX8160DABS	X1
DNX8160S	M1	DNX8160SM	M2	DNX893S	K1		

Safe	Symbol No.	Parts No.	Parts Name	Description	QTY	Local
	R5125	RK73HB1J103J	MG RESISTOR	10kΩ 1/16W J	1	
	R5126	RK73HB1J103J	MG RESISTOR	10kΩ 1/16W J	1	
	R5127	RK73HB1J103J	MG RESISTOR	10kΩ 1/16W J	1	
	R5128	RK73HB1J103J	MG RESISTOR	10kΩ 1/16W J	1	R1,K2,K1
	R5129	RK73HB1J103J	MG RESISTOR	10kΩ 1/16W J	1	
	R5134	RK73HB1J470J	MG RESISTOR	47Ω 1/16W J	1	
	R5135	RK73HB1J470J	MG RESISTOR	47Ω 1/16W J	1	
	R5136	RK73HB1J470J	MG RESISTOR	47Ω 1/16W J	1	
	R5137	RK73HB1J470J	MG RESISTOR	47Ω 1/16W J	1	
	R5139	RK73HB1J470J	MG RESISTOR	47Ω 1/16W J	1	
	R5140	RK73HB1J470J	MG RESISTOR	47Ω 1/16W J	1	
	R5149	RK73HB1J000J	MG RESISTOR	0Ω 1/16W J	1	
	R5150	RK73HB1J470J	MG RESISTOR	47Ω 1/16W J	1	
	R5151	RK73HB1J000J	MG RESISTOR	0Ω 1/16W J	1	
	R5201	RK73GB2A000J	MG RESISTOR	0Ω 1/10W J	1	
	R5203	RK73HB1J103J	MG RESISTOR	10kΩ 1/16W J	1	
	R5204	RK73HB1J472J	MG RESISTOR	4.7kΩ 1/16W J	1	
	R5205	RK73HB1J272J	MG RESISTOR	2.7kΩ 1/16W J	1	
	R5206	RK73HB1J103J	MG RESISTOR	10kΩ 1/16W J	1	
	R5220	RK73HB1J470J	MG RESISTOR	47Ω 1/16W J	1	
	R5221	RK73HB1J470J	MG RESISTOR	47Ω 1/16W J	1	
	R5222	RK73HB1J470J	MG RESISTOR	47Ω 1/16W J	1	
	R5223	RK73HB1J470J	MG RESISTOR	47Ω 1/16W J	1	
	R5224	RK73HB1J470J	MG RESISTOR	47Ω 1/16W J	1	
	R5225	RK73HB1J470J	MG RESISTOR	47Ω 1/16W J	1	
	R5226	RK73HB1J470J	MG RESISTOR	47Ω 1/16W J	1	
	R5227	RK73HB1J470J	MG RESISTOR	47Ω 1/16W J	1	
	R5231	RK73HB1J470J	MG RESISTOR	47Ω 1/16W J	1	
	R5232	RK73HB1J470J	MG RESISTOR	47Ω 1/16W J	1	
	R5233	RK73HB1J470J	MG RESISTOR	47Ω 1/16W J	1	
	R5234	RK73HB1J470J	MG RESISTOR	47Ω 1/16W J	1	
	R5236	RK73HB1J470J	MG RESISTOR	47Ω 1/16W J	1	
	R5237	RK73HB1J470J	MG RESISTOR	47Ω 1/16W J	1	
	R5238	RK73HB1J470J	MG RESISTOR	47Ω 1/16W J	1	
	R5251	RK73GB2A000J	MG RESISTOR	0Ω 1/10W J	1	
	R5262	RK73GB2A000J	MG RESISTOR	0Ω 1/10W J	1	
	R5264	RK73GB2A000J	MG RESISTOR	0Ω 1/10W J	1	
	R5265	RK73HB1J473J	MG RESISTOR	47kΩ 1/16W J	1	
	R5266	RK73HB1J473J	MG RESISTOR	47kΩ 1/16W J	1	
	R5268	RK73HB1J820J	MG RESISTOR	82Ω 1/16W J	1	
	R5269	RK73HB1J820J	MG RESISTOR	82Ω 1/16W J	1	
	R5270	RK73HB1J820J	MG RESISTOR	82Ω 1/16W J	1	
	R5271	RK73HB1J820J	MG RESISTOR	82Ω 1/16W J	1	
	R5272	RK73HB1J820J	MG RESISTOR	82Ω 1/16W J	1	
	R5273	RK73HB1J820J	MG RESISTOR	82Ω 1/16W J	1	
	R5274	RK73HB1J820J	MG RESISTOR	82Ω 1/16W J	1	
	R5275	RK73HB1J820J	MG RESISTOR	82Ω 1/16W J	1	
	R5276	RK73HB1J820J	MG RESISTOR	82Ω 1/16W J	1	
	R5277	RK73HB1J820J	MG RESISTOR	82Ω 1/16W J	1	
	R5278	RK73HB1J820J	MG RESISTOR	82Ω 1/16W J	1	
	R5301	RK73HH1J102D	MG RESISTOR	1kΩ 1/16W D	1	
	R5302	RK73HH1J102D	MG RESISTOR	1kΩ 1/16W D	1	
	R5303	RK73HH1J102D	MG RESISTOR	1kΩ 1/16W D	1	
	R5304	RK73HH1J102D	MG RESISTOR	1kΩ 1/16W D	1	
	R5305	RK73HH1J241D	MG RESISTOR	240Ω 1/16W D	1	
	R5306	RK73HH1J102D	MG RESISTOR	1kΩ 1/16W D	1	
	R5307	RK73HH1J102D	MG RESISTOR	1kΩ 1/16W D	1	
	R5308	RK73HH1J102D	MG RESISTOR	1kΩ 1/16W D	1	
	R5309	RK73HH1J102D	MG RESISTOR	1kΩ 1/16W D	1	
	R5310	RK73HH1J241D	MG RESISTOR	240Ω 1/16W D	1	
	R5311	RK73HH1J102D	MG RESISTOR	1kΩ 1/16W D	1	
	R5312	RK73HH1J102D	MG RESISTOR	1kΩ 1/16W D	1	
	R5313	RK73FB2B000J	MG RESISTOR	0Ω 1/8W J	1	
	R5407	RK73HB1J101J	MG RESISTOR	100Ω 1/16W J	1	
	R5408	RK73HB1J390J	MG RESISTOR	39Ω 1/16W J	1	
	R5410	RK73HB1J221J	MG RESISTOR	220Ω 1/16W J	1	
	R5411	RK73HB1J221J	MG RESISTOR	220Ω 1/16W J	1	
	R5413	RK73GB2A000J	MG RESISTOR	0Ω 1/10W J	1	
	R5416	RK73HB1J000J	MG RESISTOR	0Ω 1/16W J	1	
	R5417	RK73HB1J000J	MG RESISTOR	0Ω 1/16W J	1	
	R5418	RK73HB1J000J	MG RESISTOR	0Ω 1/16W J	1	
	R5419	RK73HB1J000J	MG RESISTOR	0Ω 1/16W J	1	
	R5420	RK73HB1J000J	MG RESISTOR	0Ω 1/16W J	1	
	R5422	RK73HH1J201D	MG RESISTOR	200Ω 1/16W D	1	
	R5424	RK73HH1J201D	MG RESISTOR	200Ω 1/16W D	1	
	R5425	RK73HH1J201D	MG RESISTOR	200Ω 1/16W D	1	
	R5428	RK73HB1J473J	MG RESISTOR	47kΩ 1/16W J	1	
	R5429	RK73HB1J102J	MG RESISTOR	1kΩ 1/16W J	1	
	R5430	RK73HB1J105J	MG RESISTOR	1MΩ 1/16W J	1	
	R5434	RK73HB1J000J	MG RESISTOR	0Ω 1/16W J	1	
	R5435	RK73HB1J101J	MG RESISTOR	100Ω 1/16W J	1	
	R5437	RK73HB1J000J	MG RESISTOR	0Ω 1/16W J	1	
	R5438	RK73HB1J000J	MG RESISTOR	0Ω 1/16W J	1	
	R5441	RK73GB2A000J	MG RESISTOR	0Ω 1/10W J	1	
	R5444	RK73HB1J103J	MG RESISTOR	10kΩ 1/16W J	1	
	R5445	RK73HB1J000J	MG RESISTOR	0Ω 1/16W J	1	
	R5450	RK73HB1J000J	MG RESISTOR	0Ω 1/16W J	1	
	R5451	RK73HB1J000J	MG RESISTOR	0Ω 1/16W J	1	
	R5452	RK73HB1J000J	MG RESISTOR	0Ω 1/16W J	1	
	R5453	RK73HB1J000J	MG RESISTOR	0Ω 1/16W J	1	
	R5454	RK73HB1J000J	MG RESISTOR	0Ω 1/16W J	1	
	R5456	RK73HB1J103J	MG RESISTOR	10kΩ 1/16W J	1	

MODEL	MARK	MODEL	MARK	MODEL	MARK	MODEL	MARK
DNX7160BTS	R1	DNX773S	K2	DNX8160DABS	E1	DNX8160DABS	X1
DNX8160S	M1	DNX8160SM	M2	DNX893S	K1		

Safe	Symbol No.	Parts No.	Parts Name	Description	QTY	Local
	R5471	RK73HB1J103J	MG RESISTOR	10kΩ 1/16W J	1	
	R5472	RK73HB1J223J	MG RESISTOR	22kΩ 1/16W J	1	
	R5473	RK73HB1J103J	MG RESISTOR	10kΩ 1/16W J	1	
	R5474	RK73HB1J101J	MG RESISTOR	100Ω 1/16W J	1	
	R5477	RK73HB1J000J	MG RESISTOR	0Ω 1/16W J	1	R1,K2,X1,M1,M2,K1
	R5477	RK73HB1J101J	MG RESISTOR	100Ω 1/16W J	1	E1
	R5478	RK73HB1J000J	MG RESISTOR	0Ω 1/16W J	1	R1,K2,X1,M1,M2,K1
	R5478	RK73HB1J101J	MG RESISTOR	100Ω 1/16W J	1	E1
	R5481	RK73HB1J101J	MG RESISTOR	100Ω 1/16W J	1	
	R5482	RK73HB1J101J	MG RESISTOR	100Ω 1/16W J	1	
	R5483	RK73GB2A000J	MG RESISTOR	0Ω 1/10W J	1	
	R5484	RK73HB1J101J	MG RESISTOR	100Ω 1/16W J	1	
	R5485	RK73HB1J101J	MG RESISTOR	100Ω 1/16W J	1	
	R5486	RK73HB1J101J	MG RESISTOR	100Ω 1/16W J	1	
	R5487	RK73HB1J101J	MG RESISTOR	100Ω 1/16W J	1	
	R5488	RK73HB1J101J	MG RESISTOR	100Ω 1/16W J	1	
	R5489	RK73HB1J101J	MG RESISTOR	100Ω 1/16W J	1	
	R5490	RK73HB1J101J	MG RESISTOR	100Ω 1/16W J	1	
	R5491	RK73HB1J101J	MG RESISTOR	100Ω 1/16W J	1	
	R5493	RK73HB1J000J	MG RESISTOR	0Ω 1/16W J	1	
	R5494	RK73HB1J000J	MG RESISTOR	0Ω 1/16W J	1	
	R5496	RK73HB1J000J	MG RESISTOR	0Ω 1/16W J	1	
	R5497	RK73HB1J000J	MG RESISTOR	0Ω 1/16W J	1	
	R5631	RK73HB1J000J	MG RESISTOR	0Ω 1/16W J	1	
	R5633	RK73HB1J000J	MG RESISTOR	0Ω 1/16W J	1	
	R5634	RK73HB1J000J	MG RESISTOR	0Ω 1/16W J	1	
	R5641	RK73HB1J122J	MG RESISTOR	1.2kΩ 1/16W J	1	
	R5643	RK73HB1J103J	MG RESISTOR	10kΩ 1/16W J	1	
	R5644	RK73HB1J272J	MG RESISTOR	2.7kΩ 1/16W J	1	
	R5645	RK73HB1J101J	MG RESISTOR	100Ω 1/16W J	1	
	R5646	RK73HB1J101J	MG RESISTOR	100Ω 1/16W J	1	
	R5647	RK73HB1J101J	MG RESISTOR	100Ω 1/16W J	1	
	R5648	RK73HB1J101J	MG RESISTOR	100Ω 1/16W J	1	
	R5649	RK73HB1J473J	MG RESISTOR	47kΩ 1/16W J	1	
	R5650	RK73HB1J101J	MG RESISTOR	100Ω 1/16W J	1	
	R5651	RK73HB1J101J	MG RESISTOR	100Ω 1/16W J	1	
	R5652	RK73HB1J220J	MG RESISTOR	22Ω 1/16W J	1	
	R5653	RK73HB1J220J	MG RESISTOR	22Ω 1/16W J	1	
	R5654	RK73HB1J101J	MG RESISTOR	100Ω 1/16W J	1	
	R5655	RK73HB1J220J	MG RESISTOR	22Ω 1/16W J	1	
	R5656	RK73HB1J220J	MG RESISTOR	22Ω 1/16W J	1	
	R5657	RK73HB1J220J	MG RESISTOR	22Ω 1/16W J	1	
	R5658	RK73HB1J473J	MG RESISTOR	47kΩ 1/16W J	1	
	R5659	RK73HB1J473J	MG RESISTOR	47kΩ 1/16W J	1	
	R5660	RK73HB1J473J	MG RESISTOR	47kΩ 1/16W J	1	
	R5661	RK73HB1J473J	MG RESISTOR	47kΩ 1/16W J	1	
	R5662	RK73HB1J473J	MG RESISTOR	47kΩ 1/16W J	1	
	R5663	RK73HB1J473J	MG RESISTOR	47kΩ 1/16W J	1	
	R5664	RK73HB1J103J	MG RESISTOR	10kΩ 1/16W J	1	
	R5665	RK73HB1J472J	MG RESISTOR	4.7kΩ 1/16W J	1	
	R5666	RK73HB1J103J	MG RESISTOR	10kΩ 1/16W J	1	
	R5667	RK73HB1J102J	MG RESISTOR	1kΩ 1/16W J	1	
	R5668	RK73HB1J472J	MG RESISTOR	4.7kΩ 1/16W J	1	
	R5669	RK73HB1J272J	MG RESISTOR	2.7kΩ 1/16W J	1	
	R5670	RK73HB1J472J	MG RESISTOR	4.7kΩ 1/16W J	1	
	R5672	RK73HB1J473J	MG RESISTOR	47kΩ 1/16W J	1	
	R5679	RK73HB1J101J	MG RESISTOR	100Ω 1/16W J	1	
	R5703	RK73HB1J473J	MG RESISTOR	47kΩ 1/16W J	1	
	R5704	RK73HB1J473J	MG RESISTOR	47kΩ 1/16W J	1	
	R5705	RK73HB1J272J	MG RESISTOR	2.7kΩ 1/16W J	1	
	R5707	RK73HB1J000J	MG RESISTOR	0Ω 1/16W J	1	
	R5708	RK73HB1J102J	MG RESISTOR	1kΩ 1/16W J	1	R1,E1,X1,M1,M2,K1
	R5709	RK73HB1J473J	MG RESISTOR	47kΩ 1/16W J	1	
	R5710	RK73HB1J473J	MG RESISTOR	47kΩ 1/16W J	1	
	R5712	RK73HB1J272J	MG RESISTOR	2.7kΩ 1/16W J	1	
	R5714	RK73GB2A000J	MG RESISTOR	0Ω 1/10W J	1	R1,E1,X1,M1,M2,K1
	R5716	RK73HB1J104J	MG RESISTOR	100kΩ 1/16W J	1	R1,E1,X1,M1,M2,K1
	R5717	RK73HB1J102J	MG RESISTOR	1kΩ 1/16W J	1	R1,E1,X1,M1,M2,K1
	R5718	RK73HB1J000J	MG RESISTOR	0Ω 1/16W J	1	R1,E1,X1,M1,M2,K1
	R5722	RK73GB2A000J	MG RESISTOR	0Ω 1/10W J	1	K2
	R5723	RK73GB2A000J	MG RESISTOR	0Ω 1/10W J	1	K2
	R5724	RK73HB1J104J	MG RESISTOR	100kΩ 1/16W J	1	R1,E1,X1,M1,M2,K1
	R5725	RK73HB1J102J	MG RESISTOR	1kΩ 1/16W J	1	R1,E1,X1,M1,M2,K1
	R5726	RK73HH1J123D	MG RESISTOR	12kΩ 1/16W D	1	R1,E1,X1,M1,M2,K1
	R5727	RK73HB1J000J	MG RESISTOR	0Ω 1/16W J	1	R1,E1,X1,M1,M2,K1
	R5728	RK73HB1J105J	MG RESISTOR	1MΩ 1/16W J	1	R1,E1,X1,M1,M2,K1
	R5731	RK73HB1J000J	MG RESISTOR	0Ω 1/16W J	1	R1,E1,X1,M1,M2,K1
	R5732	RK73HB1J000J	MG RESISTOR	0Ω 1/16W J	1	R1,E1,X1,M1,M2,K1
	R5733	RK73HB1J000J	MG RESISTOR	0Ω 1/16W J	1	R1,E1,X1,M1,M2,K1
	R5734	RK73HB1J000J	MG RESISTOR	0Ω 1/16W J	1	R1,E1,X1,M1,M2,K1
	R5748	RK73GB2A000J	MG RESISTOR	0Ω 1/10W J	1	R1,E1,X1,M1,M2,K1
	R5749	RK73GB2A000J	MG RESISTOR	0Ω 1/10W J	1	R1,E1,X1,M1,M2,K1
	R5754	RK73GB2A000J	MG RESISTOR	0Ω 1/10W J	1	R1,E1,X1,M1,M2,K1
	R5755	RK73GB2A000J	MG RESISTOR	0Ω 1/10W J	1	R1,E1,X1,M1,M2,K1
	R5756	RK73GB2A000J	MG RESISTOR	0Ω 1/10W J	1	R1,E1,X1,M1,M2,K1
	R5757	RK73GB2A000J	MG RESISTOR	0Ω 1/10W J	1	R1,E1,X1,M1,M2,K1
	R5758	RK73HB1J000J	MG RESISTOR	0Ω 1/16W J	1	R1,E1,X1,M1,M2,K1
	R5759	RK73HB1J000J	MG RESISTOR	0Ω 1/16W J	1	R1,E1,X1,M1,M2,K1
	R5762	RK73HB1J473J	MG RESISTOR	47kΩ 1/16W J	1	R1,E1,X1,M1,M2,K1
	R5763	RK73HB1J473J	MG RESISTOR	47kΩ 1/16W J	1	R1,E1,X1,M1,M2,K1

MODEL	MARK	MODEL	MARK	MODEL	MARK	MODEL	MARK
DNX7160BTS	R1	DNX773S	K2	DNX8160DABS	E1	DNX8160DABS	X1
DNX8160S	M1	DNX8160SM	M2	DNX893S	K1		

Safe	Symbol No.	Parts No.	Parts Name	Description	QTY	Local
	R5764	RK73HB1J272J	MG RESISTOR	2.7kΩ 1/16W J	1	R1,E1,X1,M1,M2,K1
	R5765	RK73HB1J000J	MG RESISTOR	0Ω 1/16W J	1	R1,E1,X1,M1,M2,K1
	R5766	RK73HB1J473J	MG RESISTOR	47kΩ 1/16W J	1	R1,E1,X1,M1,M2,K1
	R5767	RK73HB1J473J	MG RESISTOR	47kΩ 1/16W J	1	R1,E1,X1,M1,M2,K1
	R5769	RK73HB1J272J	MG RESISTOR	2.7kΩ 1/16W J	1	R1,E1,X1,M1,M2,K1
	R5771	RK73GB2A000J	MG RESISTOR	0Ω 1/10W J	1	
	R5772	RK73GB2A000J	MG RESISTOR	0Ω 1/10W J	1	
	R5775	RK73GB2A000J	MG RESISTOR	0Ω 1/10W J	1	
	R5776	RK73GB2A000J	MG RESISTOR	0Ω 1/10W J	1	
	R5790	RK73HB1J101J	MG RESISTOR	100Ω 1/16W J	1	R1,E1,X1,M1,M2,K1
	R5791	RK73HB1J101J	MG RESISTOR	100Ω 1/16W J	1	R1,E1,X1,M1,M2,K1
	R5797	RK73GB2A000J	MG RESISTOR	0Ω 1/10W J	1	
	R5798	RK73GB2A000J	MG RESISTOR	0Ω 1/10W J	1	
	R5801	RK73HB1J272J	MG RESISTOR	2.7kΩ 1/16W J	1	
	R5802	RK73HB1J473J	MG RESISTOR	47kΩ 1/16W J	1	
	R5804	RK73HB1J101J	MG RESISTOR	100Ω 1/16W J	1	
	R5805	RK73HB1J101J	MG RESISTOR	100Ω 1/16W J	1	
	R5806	RK73HB1J101J	MG RESISTOR	100Ω 1/16W J	1	
	R5807	RK73HB1J101J	MG RESISTOR	100Ω 1/16W J	1	
	R5808	RK73HB1J101J	MG RESISTOR	100Ω 1/16W J	1	
	R5809	RK73HB1J101J	MG RESISTOR	100Ω 1/16W J	1	
	R5810	RK73HB1J101J	MG RESISTOR	100Ω 1/16W J	1	
	R5811	RK73HB1J101J	MG RESISTOR	100Ω 1/16W J	1	
	R5812	RK73HB1J101J	MG RESISTOR	100Ω 1/16W J	1	
	R5813	RK73HB1J101J	MG RESISTOR	100Ω 1/16W J	1	
	R5815	RK73HB1J101J	MG RESISTOR	100Ω 1/16W J	1	
	R5816	RK73HB1J101J	MG RESISTOR	100Ω 1/16W J	1	
	R5817	RK73HB1J000J	MG RESISTOR	0Ω 1/16W J	1	
	R5819	RK73HB1J000J	MG RESISTOR	0Ω 1/16W J	1	
	R5820	RK73HB1J000J	MG RESISTOR	0Ω 1/16W J	1	
	R5821	RK73HB1J000J	MG RESISTOR	0Ω 1/16W J	1	
	R5822	RK73HB1J000J	MG RESISTOR	0Ω 1/16W J	1	
	R5824	RK73HB1J000J	MG RESISTOR	0Ω 1/16W J	1	
	R5825	RK73HB1J000J	MG RESISTOR	0Ω 1/16W J	1	
	R5826	RK73HB1J000J	MG RESISTOR	0Ω 1/16W J	1	
	R5827	RK73HB1J000J	MG RESISTOR	0Ω 1/16W J	1	
	R5828	RK73HB1J101J	MG RESISTOR	100Ω 1/16W J	1	
	R5829	RK73HB1J000J	MG RESISTOR	0Ω 1/16W J	1	
	R5830	RK73HB1J101J	MG RESISTOR	100Ω 1/16W J	1	
	R5831	RK73HB1J000J	MG RESISTOR	0Ω 1/16W J	1	
	R5832	RK73HB1J101J	MG RESISTOR	100Ω 1/16W J	1	
	R5833	RK73HB1J000J	MG RESISTOR	0Ω 1/16W J	1	
	R5834	RK73HB1J101J	MG RESISTOR	100Ω 1/16W J	1	
	R5835	RK73HB1J000J	MG RESISTOR	0Ω 1/16W J	1	
	R5836	RK73HB1J561J	MG RESISTOR	560Ω 1/16W J	1	
	R5837	RK73HB1J101J	MG RESISTOR	100Ω 1/16W J	1	
	R5838	RK73HB1J101J	MG RESISTOR	100Ω 1/16W J	1	
	R5839	RK73HB1J101J	MG RESISTOR	100Ω 1/16W J	1	
	R5840	RK73HB1J101J	MG RESISTOR	100Ω 1/16W J	1	
	R5841	RK73HB1J101J	MG RESISTOR	100Ω 1/16W J	1	
	R5842	RK73HB1J000J	MG RESISTOR	0Ω 1/16W J	1	
	R5843	RK73HB1J101J	MG RESISTOR	100Ω 1/16W J	1	
	R5844	RK73HB1J000J	MG RESISTOR	0Ω 1/16W J	1	
	R5845	RK73HB1J000J	MG RESISTOR	0Ω 1/16W J	1	
	R5846	RK73HB1J000J	MG RESISTOR	0Ω 1/16W J	1	
	R5847	RK73HB1J101J	MG RESISTOR	100Ω 1/16W J	1	
	R5849	RK73HB1J000J	MG RESISTOR	0Ω 1/16W J	1	E1
	R5853	RK73HB1J101J	MG RESISTOR	100Ω 1/16W J	1	
	R5855	RK73HB1J101J	MG RESISTOR	100Ω 1/16W J	1	
	R5856	RK73HB1J101J	MG RESISTOR	100Ω 1/16W J	1	
	R5857	RK73HB1J101J	MG RESISTOR	100Ω 1/16W J	1	
	R5858	RK73HB1J101J	MG RESISTOR	100Ω 1/16W J	1	
	R5859	RK73HB1J101J	MG RESISTOR	100Ω 1/16W J	1	
	R5861	RK73HB1J101J	MG RESISTOR	100Ω 1/16W J	1	R1,E1,M1,M2
	R5862	RK73HB1J000J	MG RESISTOR	0Ω 1/16W J	1	R1,E1,M1,M2
	R5863	RK73HB1J000J	MG RESISTOR	0Ω 1/16W J	1	
	R5869	RK73HB1J473J	MG RESISTOR	47kΩ 1/16W J	1	
	R5870	RK73HB1J000J	MG RESISTOR	0Ω 1/16W J	1	
	R5871	RK73GB2A681J	MG RESISTOR	680Ω 1/10W J	1	
	R5882	RK73HB1J000J	MG RESISTOR	0Ω 1/16W J	1	
	R5883	RK73HB1J000J	MG RESISTOR	0Ω 1/16W J	1	
	R5884	RK73HB1J000J	MG RESISTOR	0Ω 1/16W J	1	
	R5885	RK73HB1J000J	MG RESISTOR	0Ω 1/16W J	1	
	R5887	RK73HB1J000J	MG RESISTOR	0Ω 1/16W J	1	
	R5888	RK73HB1J272J	MG RESISTOR	2.7kΩ 1/16W J	1	
	R5889	RK73HB1J272J	MG RESISTOR	2.7kΩ 1/16W J	1	
	R5916	RK73FB2B000J	MG RESISTOR	0Ω 1/8W J	1	
	R5917	RK73HB1J101J	MG RESISTOR	100Ω 1/16W J	1	
	R5918	RK73GB2A200J	MG RESISTOR	20Ω 1/10W J	1	
	R5919	RK73GB2A100J	MG RESISTOR	10Ω 1/10W J	1	
	R5920	RK73HH1J103D	MG RESISTOR	10kΩ 1/16W D	1	
	R5921	RK73HB1J000J	MG RESISTOR	0Ω 1/16W J	1	
	R5922	RK73HH1J102D	MG RESISTOR	1kΩ 1/16W D	1	
	R5923	RK73HH1J222D	MG RESISTOR	2.2kΩ 1/16W D	1	
	R5924	RK73HH1J393D	MG RESISTOR	39kΩ 1/16W D	1	
	R5925	RK73HH1J123D	MG RESISTOR	12kΩ 1/16W D	1	
	R5926	RK73GB2A331J	MG RESISTOR	330Ω 1/10W J	1	
	R5927	RK73HB1J101J	MG RESISTOR	100Ω 1/16W J	1	
	R5928	RK73GB2A200J	MG RESISTOR	20Ω 1/10W J	1	
	R5929	RK73GB2A100J	MG RESISTOR	10Ω 1/10W J	1	
	R5930	RK73HH1J273D	MG RESISTOR	27kΩ 1/16W D	1	

MODEL	MARK	MODEL	MARK	MODEL	MARK	MODEL	MARK
DNX7160BTS	R1	DNX773S	K2	DNX8160DABS	E1	DNX8160DABS	X1
DNX8160S	M1	DNX8160SM	M2	DNX893S	K1		

Safe	Symbol No.	Parts No.	Parts Name	Description	QTY	Local
	R5931	RK73HB1J000J	MG RESISTOR	0Ω 1/16W J	1	
	R5932	RK73HH1J183D	MG RESISTOR	18kΩ 1/16W D	1	
	R5933	RK73HH1J183D	MG RESISTOR	18kΩ 1/16W D	1	
	R5934	RK73HH1J183D	MG RESISTOR	18kΩ 1/16W D	1	
	R5935	RK73HH1J563D	MG RESISTOR	56kΩ 1/16W D	1	
	R5937	RK73HB1J103J	MG RESISTOR	10kΩ 1/16W J	1	
	R5938	RK73HB1J104J	MG RESISTOR	100kΩ 1/16W J	1	
	R5942	RK73HB1J473J	MG RESISTOR	47kΩ 1/16W J	1	E1
	R5947	RK73HB1J103J	MG RESISTOR	10kΩ 1/16W J	1	E1
	R5949	RK73HB1J101J	MG RESISTOR	100Ω 1/16W J	1	E1
	R5950	RK73HB1J101J	MG RESISTOR	100Ω 1/16W J	1	E1
	R5952	RK73GB2A000J	MG RESISTOR	0Ω 1/10W J	1	R1,K2,X1,M1,M2,K1
	R5954	RK73HH1J183D	MG RESISTOR	18kΩ 1/16W D	1	
	R5955	RK73HH1J153D	MG RESISTOR	15kΩ 1/16W D	1	
	R5956	RK73HH1J751D	MG RESISTOR	750Ω 1/16W D	1	
	R5957	RK73HB1J103J	MG RESISTOR	10kΩ 1/16W J	1	E1
	R5959	RK73HB1J101J	MG RESISTOR	100Ω 1/16W J	1	E1
	R5964	RK73HB1J102J	MG RESISTOR	1kΩ 1/16W J	1	
	R5965	RK73HB1J102J	MG RESISTOR	1kΩ 1/16W J	1	
	R5967	RK73HB1J201J	MG RESISTOR	200Ω 1/16W J	1	
	R5970	RK73GB2A331J	MG RESISTOR	330Ω 1/10W J	1	
	R5971	RK73GB2A331J	MG RESISTOR	330Ω 1/10W J	1	
	R5976	RK73HB1J473J	MG RESISTOR	47kΩ 1/16W J	1	E1
	R5977	RK73HB1J473J	MG RESISTOR	47kΩ 1/16W J	1	E1
	R5987	RK73HB1J101J	MG RESISTOR	100Ω 1/16W J	1	
	R5988	RK73GB2A200J	MG RESISTOR	20Ω 1/10W J	1	
	R5989	RK73GB2A100J	MG RESISTOR	10Ω 1/10W J	1	
	R5990	RK73HH1J273D	MG RESISTOR	27kΩ 1/16W D	1	
	R5991	RK73HB1J000J	MG RESISTOR	0Ω 1/16W J	1	
	R5992	RK73HH1J912D	MG RESISTOR	9.1kΩ 1/16W D	1	
	R5993	RK73HH1J183D	MG RESISTOR	18kΩ 1/16W D	1	
	R5994	RK73HH1J183D	MG RESISTOR	18kΩ 1/16W D	1	
	R5995	RK73HH1J563D	MG RESISTOR	56kΩ 1/16W D	1	
	R6001	RK73HB1J101J	MG RESISTOR	100Ω 1/16W J	1	
	R6002	RK73HB1J101J	MG RESISTOR	100Ω 1/16W J	1	
	R6003	RK73HB1J101J	MG RESISTOR	100Ω 1/16W J	1	
	R6004	RK73HB1J101J	MG RESISTOR	100Ω 1/16W J	1	
	R6005	RK73HB1J101J	MG RESISTOR	100Ω 1/16W J	1	
	R6007	RK73HB1J000J	MG RESISTOR	0Ω 1/16W J	1	
	R6009	RK73HB1J101J	MG RESISTOR	100Ω 1/16W J	1	
	R6010	RK73HB1J101J	MG RESISTOR	100Ω 1/16W J	1	
	R6011	RK73HB1J101J	MG RESISTOR	100Ω 1/16W J	1	
	R6012	RK73HB1J101J	MG RESISTOR	100Ω 1/16W J	1	
	R6013	RK73HB1J101J	MG RESISTOR	100Ω 1/16W J	1	
	R6014	RK73HB1J101J	MG RESISTOR	100Ω 1/16W J	1	
	R6015	RK73HB1J101J	MG RESISTOR	100Ω 1/16W J	1	
	R6016	RK73HB1J101J	MG RESISTOR	100Ω 1/16W J	1	
	R6017	RK73HB1J4R7J	MG RESISTOR	4.7Ω 1/16W J	1	R1,K2,K1
	R6018	RK73HB1J000J	MG RESISTOR	0Ω 1/16W J	1	R1,K2,K1
	R6019	RK73HB1J4R7J	MG RESISTOR	4.7Ω 1/16W J	1	R1,K2,K1
	R6020	RK73HB1J4R7J	MG RESISTOR	4.7Ω 1/16W J	1	R1,K2,K1
	R6021	RK73HB1J4R7J	MG RESISTOR	4.7Ω 1/16W J	1	R1,K2,K1
	R6022	RK73HB1J4R7J	MG RESISTOR	4.7Ω 1/16W J	1	R1,K2,K1
	R6023	RK73HB1J4R7J	MG RESISTOR	4.7Ω 1/16W J	1	R1,K2,K1
	R6024	RK73HB1J4R7J	MG RESISTOR	4.7Ω 1/16W J	1	R1,K2,K1
	R6025	RK73HB1J4R7J	MG RESISTOR	4.7Ω 1/16W J	1	R1,K2,K1
	R6026	RK73HB1J4R7J	MG RESISTOR	4.7Ω 1/16W J	1	R1,K2,K1
	R6027	RK73HB1J4R7J	MG RESISTOR	4.7Ω 1/16W J	1	R1,K2,K1
	R6028	RK73HB1J4R7J	MG RESISTOR	4.7Ω 1/16W J	1	R1,K2,K1
	R6029	RK73HB1J4R7J	MG RESISTOR	4.7Ω 1/16W J	1	R1,K2,K1
	R6030	RK73HB1J4R7J	MG RESISTOR	4.7Ω 1/16W J	1	R1,K2,K1
	R6031	RK73HB1J4R7J	MG RESISTOR	4.7Ω 1/16W J	1	R1,K2,K1
	R6032	RK73HB1J4R7J	MG RESISTOR	4.7Ω 1/16W J	1	R1,K2,K1
	R6033	RK73HB1J4R7J	MG RESISTOR	4.7Ω 1/16W J	1	R1,K2,K1
	R6034	RK73HB1J4R7J	MG RESISTOR	4.7Ω 1/16W J	1	R1,K2,K1
	R6035	RK73HB1J4R7J	MG RESISTOR	4.7Ω 1/16W J	1	R1,K2,K1
	R6036	RK73HB1J4R7J	MG RESISTOR	4.7Ω 1/16W J	1	R1,K2,K1
	R6037	RK73HB1J4R7J	MG RESISTOR	4.7Ω 1/16W J	1	R1,K2,K1
	R6038	RK73HB1J100J	MG RESISTOR	10Ω 1/16W J	1	R1,K2,K1
	R6039	RK73HB1J4R7J	MG RESISTOR	4.7Ω 1/16W J	1	R1,K2,K1
	R6040	RK73HB1J4R7J	MG RESISTOR	4.7Ω 1/16W J	1	R1,K2,K1
	R6041	RK73HB1J4R7J	MG RESISTOR	4.7Ω 1/16W J	1	R1,K2,K1
	R6042	RK73HB1J4R7J	MG RESISTOR	4.7Ω 1/16W J	1	R1,K2,K1
	R6043	RK73HB1J000J	MG RESISTOR	0Ω 1/16W J	1	R1,K2,K1
	R6044	RK73HB1J000J	MG RESISTOR	0Ω 1/16W J	1	R1,K2,K1
	R6045	RK73HB1J000J	MG RESISTOR	0Ω 1/16W J	1	R1,K2,K1
	R6046	RK73HB1J000J	MG RESISTOR	0Ω 1/16W J	1	R1,K2,K1
	R6047	RK73HB1J000J	MG RESISTOR	0Ω 1/16W J	1	R1,K2,K1
	R6048	RK73HB1J000J	MG RESISTOR	0Ω 1/16W J	1	R1,K2,K1
	R6049	RK73HB1J000J	MG RESISTOR	0Ω 1/16W J	1	R1,K2,K1
	R6050	RK73HB1J000J	MG RESISTOR	0Ω 1/16W J	1	R1,K2,K1
	R6051	RK73HB1J000J	MG RESISTOR	0Ω 1/16W J	1	R1,K2,K1
	R6052	RK73HB1J000J	MG RESISTOR	0Ω 1/16W J	1	R1,K2,K1
	R6053	RK73HB1J000J	MG RESISTOR	0Ω 1/16W J	1	R1,K2,K1
	R6054	RK73HB1J000J	MG RESISTOR	0Ω 1/16W J	1	R1,K2,K1
	R6055	RK73HB1J000J	MG RESISTOR	0Ω 1/16W J	1	R1,K2,K1
	R6056	RK73HB1J000J	MG RESISTOR	0Ω 1/16W J	1	R1,K2,K1
	R6057	RK73HB1J000J	MG RESISTOR	0Ω 1/16W J	1	R1,K2,K1
	R6058	RK73HB1J000J	MG RESISTOR	0Ω 1/16W J	1	R1,K2,K1
	R6059	RK73HB1J000J	MG RESISTOR	0Ω 1/16W J	1	R1,K2,K1

MODEL	MARK	MODEL	MARK	MODEL	MARK	MODEL	MARK
DNX7160BTS	R1	DNX773S	K2	DNX8160DABS	E1	DNX8160DABS	X1
DNX8160S	M1	DNX8160SM	M2	DNX893S	K1		

Safe	Symbol No.	Parts No.	Parts Name	Description	QTY	Local
	R6060	RK73HB1J000J	MG RESISTOR	0Ω 1/16W J	1	R1,K2,K1
	R6061	RK73HB1J000J	MG RESISTOR	0Ω 1/16W J	1	R1,K2,K1
	R6062	RK73HB1J000J	MG RESISTOR	0Ω 1/16W J	1	R1,K2,K1
	R6063	RK73HB1J000J	MG RESISTOR	0Ω 1/16W J	1	R1,K2,K1
	R6064	RK73HB1J000J	MG RESISTOR	0Ω 1/16W J	1	R1,K2,K1
	R6065	RK73HB1J000J	MG RESISTOR	0Ω 1/16W J	1	R1,K2,K1
	R6066	RK73HB1J000J	MG RESISTOR	0Ω 1/16W J	1	R1,K2,K1
	R6075	RK73HB1J101J	MG RESISTOR	100Ω 1/16W J	1	
	R6078	RK73HB1J000J	MG RESISTOR	0Ω 1/16W J	1	E1
	R6079	RK73HB1J000J	MG RESISTOR	0Ω 1/16W J	1	E1
	R6080	RK73HB1J104J	MG RESISTOR	100kΩ 1/16W J	1	E1
	R6081	RK73GB2A123J	MG RESISTOR	12kΩ 1/10W J	1	
	R6082	RK73GB2A123J	MG RESISTOR	12kΩ 1/10W J	1	
	R6083	RK73GB2A000J	MG RESISTOR	0Ω 1/10W J	1	
	R6084	RK73GB2A000J	MG RESISTOR	0Ω 1/10W J	1	
	R6085	RK73HB1J000J	MG RESISTOR	0Ω 1/16W J	1	E1,X1,M1,M2
	R6086	RK73HB1J000J	MG RESISTOR	0Ω 1/16W J	1	E1,X1,M1,M2
	R6087	RK73HB1J000J	MG RESISTOR	0Ω 1/16W J	1	E1,X1,M1,M2
	R6088	RK73HB1J000J	MG RESISTOR	0Ω 1/16W J	1	E1,X1,M1,M2
	R6089	RK73HB1J000J	MG RESISTOR	0Ω 1/16W J	1	E1,X1,M1,M2
	R6090	RK73HB1J000J	MG RESISTOR	0Ω 1/16W J	1	E1,X1,M1,M2
	R6091	RK73HB1J000J	MG RESISTOR	0Ω 1/16W J	1	E1,X1,M1,M2
	R6092	RK73HB1J000J	MG RESISTOR	0Ω 1/16W J	1	E1,X1,M1,M2
	R6093	RK73HB1J000J	MG RESISTOR	0Ω 1/16W J	1	E1,X1,M1,M2
	R6094	RK73HB1J000J	MG RESISTOR	0Ω 1/16W J	1	E1,X1,M1,M2
	R6095	RK73HB1J000J	MG RESISTOR	0Ω 1/16W J	1	E1,X1,M1,M2
	R6096	RK73HB1J000J	MG RESISTOR	0Ω 1/16W J	1	E1,X1,M1,M2
	R6100	RK73HB1J000J	MG RESISTOR	0Ω 1/16W J	1	E1,X1,M1,M2
	R6101	RK73HB1J000J	MG RESISTOR	0Ω 1/16W J	1	E1,X1,M1,M2
	R6102	RK73HB1J000J	MG RESISTOR	0Ω 1/16W J	1	E1,X1,M1,M2
	R6103	RK73HB1J000J	MG RESISTOR	0Ω 1/16W J	1	E1,X1,M1,M2
	R6104	RK73HB1J000J	MG RESISTOR	0Ω 1/16W J	1	E1,X1,M1,M2
	R6105	RK73HB1J000J	MG RESISTOR	0Ω 1/16W J	1	E1,X1,M1,M2
	R6106	RK73HB1J000J	MG RESISTOR	0Ω 1/16W J	1	E1,X1,M1,M2
	R6107	RK73HB1J000J	MG RESISTOR	0Ω 1/16W J	1	E1,X1,M1,M2
	R6108	RK73HB1J000J	MG RESISTOR	0Ω 1/16W J	1	E1,X1,M1,M2
	R6109	RK73HB1J000J	MG RESISTOR	0Ω 1/16W J	1	E1,X1,M1,M2
	R6215	RK73HB1J330J	MG RESISTOR	33Ω 1/16W J	1	
	R6216	RK73HB1J330J	MG RESISTOR	33Ω 1/16W J	1	
	R6217	RK73HB1J330J	MG RESISTOR	33Ω 1/16W J	1	
	R6218	RK73HB1J101J	MG RESISTOR	100Ω 1/16W J	1	
	R6219	RK73HB1J101J	MG RESISTOR	100Ω 1/16W J	1	
	R6220	RK73HB1J101J	MG RESISTOR	100Ω 1/16W J	1	
	R6233	RK73HB1J330J	MG RESISTOR	33Ω 1/16W J	1	
	R6234	RK73HB1J330J	MG RESISTOR	33Ω 1/16W J	1	
	R6236	RK73HB1J330J	MG RESISTOR	33Ω 1/16W J	1	
	R6240	RK73HB1J330J	MG RESISTOR	33Ω 1/16W J	1	
	R6241	RK73HB1J330J	MG RESISTOR	33Ω 1/16W J	1	
	R6242	RK73HB1J330J	MG RESISTOR	33Ω 1/16W J	1	
	R6243	RK73HB1J330J	MG RESISTOR	33Ω 1/16W J	1	
	R6244	RK73HB1J330J	MG RESISTOR	33Ω 1/16W J	1	
	R6245	RK73HB1J330J	MG RESISTOR	33Ω 1/16W J	1	
	R6246	RK73HB1J330J	MG RESISTOR	33Ω 1/16W J	1	
	R6247	RK73HB1J330J	MG RESISTOR	33Ω 1/16W J	1	
	R6248	RK73HB1J330J	MG RESISTOR	33Ω 1/16W J	1	
	R6249	RK73HB1J330J	MG RESISTOR	33Ω 1/16W J	1	
	R6250	RK73HB1J330J	MG RESISTOR	33Ω 1/16W J	1	
	R6251	RK73HB1J330J	MG RESISTOR	33Ω 1/16W J	1	
	R6252	RK73HB1J330J	MG RESISTOR	33Ω 1/16W J	1	
	R6253	RK73HB1J330J	MG RESISTOR	33Ω 1/16W J	1	
	R6254	RK73HB1J330J	MG RESISTOR	33Ω 1/16W J	1	
	R6255	RK73HB1J330J	MG RESISTOR	33Ω 1/16W J	1	
	R6256	RK73HB1J330J	MG RESISTOR	33Ω 1/16W J	1	
	R6257	RK73HB1J330J	MG RESISTOR	33Ω 1/16W J	1	
	R6258	RK73HB1J330J	MG RESISTOR	33Ω 1/16W J	1	
	R6259	RK73HB1J330J	MG RESISTOR	33Ω 1/16W J	1	
	R6260	RK73HB1J330J	MG RESISTOR	33Ω 1/16W J	1	
	R6261	RK73HB1J330J	MG RESISTOR	33Ω 1/16W J	1	
	R6262	RK73HB1J330J	MG RESISTOR	33Ω 1/16W J	1	
	R6263	RK73HB1J330J	MG RESISTOR	33Ω 1/16W J	1	
	R6301	RK73HB1J220J	MG RESISTOR	22Ω 1/16W J	1	
	R6302	RK73HB1J220J	MG RESISTOR	22Ω 1/16W J	1	
	R6303	RK73HB1J101J	MG RESISTOR	100Ω 1/16W J	1	
	R6304	RK73HB1J101J	MG RESISTOR	100Ω 1/16W J	1	
	R6305	RK73HB1J101J	MG RESISTOR	100Ω 1/16W J	1	
	R6306	RK73HB1J101J	MG RESISTOR	100Ω 1/16W J	1	
	R6307	RK73HB1J220J	MG RESISTOR	22Ω 1/16W J	1	
	R6308	RK73HB1J220J	MG RESISTOR	22Ω 1/16W J	1	
	R6309	RK73HB1J220J	MG RESISTOR	22Ω 1/16W J	1	
	R6310	RK73HB1J220J	MG RESISTOR	22Ω 1/16W J	1	
	R6311	RK73HB1J220J	MG RESISTOR	22Ω 1/16W J	1	
	R6312	RK73HB1J220J	MG RESISTOR	22Ω 1/16W J	1	
	R6313	RK73HB1J220J	MG RESISTOR	22Ω 1/16W J	1	
	R6314	RK73HB1J103J	MG RESISTOR	10kΩ 1/16W J	1	
	R6315	RK73HB1J103J	MG RESISTOR	10kΩ 1/16W J	1	
	R6317	RK73HB1J472J	MG RESISTOR	4.7kΩ 1/16W J	1	
	R6318	RK73HB1J472J	MG RESISTOR	4.7kΩ 1/16W J	1	
	R6319	RK73HB1J472J	MG RESISTOR	4.7kΩ 1/16W J	1	
	R6321	RK73HB1J472J	MG RESISTOR	4.7kΩ 1/16W J	1	
	R6322	RK73HB1J472J	MG RESISTOR	4.7kΩ 1/16W J	1	

MODEL	MARK	MODEL	MARK	MODEL	MARK	MODEL	MARK
DNX7160BTS	R1	DNX773S	K2	DNX8160DABS	E1	DNX8160DABS	X1
DNX8160S	M1	DNX8160SM	M2	DNX893S	K1		

Safe	Symbol No.	Parts No.	Parts Name	Description	QTY	Local
	R6323	RK73HB1J103J	MG RESISTOR	10kΩ 1/16W J	1	
	R6324	RK73HB1J472J	MG RESISTOR	4.7kΩ 1/16W J	1	
	R6327	RK73HB1J223J	MG RESISTOR	22kΩ 1/16W J	1	
	R6329	RK73HB1J101J	MG RESISTOR	100Ω 1/16W J	1	
	R6330	RK73HB1J103J	MG RESISTOR	10kΩ 1/16W J	1	
	R6331	RK73HB1J272J	MG RESISTOR	2.7kΩ 1/16W J	1	
	R6506	RK73HB1J272J	MG RESISTOR	2.7kΩ 1/16W J	1	E1,X1,M1,M2
	R6508	RK73HB1J000J	MG RESISTOR	0Ω 1/16W J	1	E1,X1,M1,M2
	R6510	RK73HB1J000J	MG RESISTOR	0Ω 1/16W J	1	E1,X1,M1,M2
	R6512	RK73HB1J102J	MG RESISTOR	1kΩ 1/16W J	1	E1,X1,M1,M2
	R6514	RK73HB1J103J	MG RESISTOR	10kΩ 1/16W J	1	E1,X1,M1,M2
	R6516	RK73HB1J560J	MG RESISTOR	56Ω 1/16W J	1	E1,X1,M1,M2
	RA5001	RK74HB1J103J	NET RESISTOR	10kΩ 1/16W J	1	
	RA5201	RK74HB1J473J	NET RESISTOR	47kΩ 1/16W J	1	
	RA5202	RK74HB1J473J	NET RESISTOR	47kΩ 1/16W J	1	
	L631	LB73G0BK-003	CHIP FERRITE		1	
	L5001	LB73G0BK-002	CHIP FERRITE		1	
	L5002	LB73G0BK-002	CHIP FERRITE		1	
	L5004	LB73G0BK-002	CHIP FERRITE		1	
	L5402	LB73G0BK-003	CHIP FERRITE		1	
	L5403	LB73G0BK-003	CHIP FERRITE		1	
	L5405	LB73G0BK-003	CHIP FERRITE		1	
	L5406	LB73G0BK-003	CHIP FERRITE		1	
	L5901	LR7920EW5R1N	CHIP INDUCTOR		1	
	L5902	LR7920HX5R1N	CHIP INDUCTOR		1	
	L5903	LR7920EW5R1N	CHIP INDUCTOR		1	
	L6025	NQLQ2EN-5R1X	INDUCTOR	5.1uH N	1	
	L6502	LB73H0BG-003	CHIP FERRITE		1	E1,X1,M1,M2
	L6503	NQR0560-001X	EMI FILTER		1	E1,X1,M1,M2
	CN527	EC720AT-0516B	FFC FPC CONNE		1	
	CN561	QGF0534F7-15X	FFC/FPC CONNE	FFC/FPC (1-15)	1	
	CN571	QGA2001F6-05X	W TO B CONNE	W-B (1-5)	1	
	CN572	QGA1501F4-03W	W TO B CONNE	W-B (1-3)	1	
	CN581	EB760AX-05C0B	B TO B CONNE		1	
	CN601	EC720AB-0570A	FFC FPC CONNE		1	
	CN621	QGB0811L2-40X	B TO B CONNE	B-B (1-40)	1	
△	F5901	FZA10BF-R50	FUSE (CC)	0.5A	1	R1,K2,X1,M1,M2,K1
△	F5902	FZA10BF-R50	FUSE (CC)	0.5A	1	R1,K2,X1,M1,M2,K1
	VA6301	SDV1005H26//0	VARIATOR		1	
	VA6302	SDV1005H26//0	VARIATOR		1	
	VA6303	SDV1005H26//0	VARIATOR		1	
	X5001	NAX1179-001X	CRYSTAL		1	
	X5401	NAX1145-001X	CRYSTAL		1	
	X5701	NAX1179-001X	CRYSTAL		1	R1,E1,X1,M1,M2,K1
AUDIO PWB ASSY (XJ6-054x-0x) <XJ6>						
	IC1	LV5680NPVC-H	MOS IC		1	
	IC41	XC6223B331PG-X	IC		1	
	IC101	JCV8031	IC		1	
	IC115	TC7SH17FUF	MOS IC		1	
	IC201	TDA7715	ANALOG IC		1	
	IC260	TC74HCT4053FT	MOS IC		1	K2,K1
	IC261	NJM2794RB2-X	IC		1	
	IC301	XC6223B331PG-X	IC		1	
	IC361	W3F-0174-00	IC(MCU)		1	E1,X1
	IC401	SI4706-D50-GMX	IC		1	R1,E1,M1,M2
	IC511	TC7SET32FU-X	IC(DIGITAL)	OR	1	K2,E1,K1
	IC512	TC7SH17FUF	MOS IC		1	K2,E1,K1
	IC601	NJW1240V-X	IC		1	R1,E1,X1,M1,M2,K1
	IC781	BA6956AN	IC		1	
	IC790	BD00C0AWFP	MOS IC		1	
	Q31	LSCR523UBFS8	TRANSISTOR		1	
	Q32	LSAR523UBFS8	TRANSISTOR		1	
	Q51	LTC024EUBFS8	DIGI TRANSISTOR		1	
	Q80	LTA014YEBFS8	DIGI TRANSISTOR		1	
	Q81	LSAR523UBFS8	TRANSISTOR		1	
	Q82	LSCR523UBFS8	TRANSISTOR		1	
	Q90	LTC024EUBFS8	DIGI TRANSISTOR		1	
	Q96	LSCR523UBFS8	TRANSISTOR		1	
	Q151	LTC014YUBFS8	DIGI TRANSISTOR		1	
	Q152	LTA043ZUBFS8	DIGI TRANSISTOR		1	
	Q155	LTC014YUBFS8	DIGI TRANSISTOR		1	
	Q156	LTA043ZUBFS8	DIGI TRANSISTOR		1	
	Q161	LTC043TUBFS8	DIGI TRANSISTOR		1	
	Q162	LTC043TUBFS8	DIGI TRANSISTOR		1	
	Q163	LTC043TUBFS8	DIGI TRANSISTOR		1	
	Q164	LTC043TUBFS8	DIGI TRANSISTOR		1	
	Q165	LTC043TUBFS8	DIGI TRANSISTOR		1	
	Q191	LTA043ZUBFS8	DIGI TRANSISTOR		1	
	Q193	LTC043TUBFS8	DIGI TRANSISTOR		1	
	Q194	LTC043TUBFS8	DIGI TRANSISTOR		1	
	Q391	2SB1424/R/-W	TRANSISTOR		1	X1
	Q392	LTC014YUBFS8	DIGI TRANSISTOR		1	X1
	Q451	3SK291F	FET		1	R1,E1,M1,M2
	Q551	RE1C002ZP-X	MOS FET		1	R1,E1,X1,M1,M2
	Q561	RE1C002ZP-X	MOS FET		1	R1,E1,X1,M1,M2
	Q571	LTC014YUBFS8	DIGI TRANSISTOR		1	R1,E1,X1,M1,M2
	Q781	LTC014YUBFS8	DIGI TRANSISTOR		1	
	D1	1N5402-BPC04	DIODE		1	
	D2	GS1J-LTP	DIODE		1	E1,M1,M2
	D11	RB161M-20	SCHOTTKY DIODE		1	
	D32	DZ2J110M	ZENER DIODE		1	

MODEL	MARK	MODEL	MARK	MODEL	MARK	MODEL	MARK
DNX7160BTS	R1	DNX773S	K2	DNX8160DABS	E1	DNX8160DABS	X1
DNX8160S	M1	DNX8160SM	M2	DNX893S	K1		

Safe	Symbol No.	Parts No.	Parts Name	Description	QTY	Local
	D41	GS1J-LTP	DIODE		1	
	D42	GS1J-LTP	DIODE		1	R1,K2,X1,M1,M2,K1
	D43	GS1J-LTP	DIODE		1	
	D44	GS1J-LTP	DIODE		1	R1,K2,X1,M1,M2,K1
	D61	DZ2J062M	ZENER DIODE		1	
	D71	MC2846-X	SI DIODE		1	
	D80	DA2J101	DIODE		1	
	D90	DA2J101	DIODE		1	
	D96	DZ2J160M	ZENER DIODE		1	
	D101	MC2846-X	SI DIODE		1	
	D151	MC2846-X	SI DIODE		1	
	D155	MC2846-X	SI DIODE		1	
	D191	MC2846-X	SI DIODE		1	
	D202	DA2J101	DIODE		1	
	D203	MC2846-X	SI DIODE		1	
	D204	MC2846-X	SI DIODE		1	
	D205	MC2846-X	SI DIODE		1	
	D260	DA2J101	DIODE		1	
	D261	DZ2J047M	ZENER DIODE		1	
	D302	GS1J-LTP	DIODE		1	
	D381	DZ2J033M	ZENER DIODE		1	E1,X1
	D552	MC2848-X	SI DIODE		1	R1,E1,X1,M1,M2
	D781	DZ2J051M	ZENER DIODE		1	
	C1	CD04AZ1C332M2	E CAPACITOR	3300uF 16V M	1	
	C11	CE32CB1V101M	E CAPACITOR	100uF 35V M	1	
	C12	CK73HBB1H103K	C CAPACITOR	0.01uF 50V K	1	
	C13	CE32CB1C470M	E CAPACITOR	47uF 16V M	1	
	C14	CE32CB1C470M	E CAPACITOR	47uF 16V M	1	
	C15	CE32CB1A101M	E CAPACITOR	100uF 10V M	1	
	C16	CE32CC1C221M	E CAPACITOR	220uF 16V M	1	
	C18	CK73EXR1E106K	C CAPACITOR	10uF 25V K	1	
	C19	CK73EXR1E106K	C CAPACITOR	10uF 25V K	1	
	C20	CE32CC1C221M	E CAPACITOR	220uF 16V M	1	
	C21	CK73GBB1H104K	C CAPACITOR	0.1uF 50V K	1	
	C23	CK73GBB1C105K	C CAPACITOR	1uF 16V K	1	
	C24	CK73GBB1H104K	C CAPACITOR	0.1uF 50V K	1	
	C25	CK73GBB1C224K	C CAPACITOR	0.22uF 16V K	1	
	C26	CK73HBB1A104K	C CAPACITOR	0.1uF 10V K	1	
	C27	CE32CC1C221M	E CAPACITOR	220uF 16V M	1	
	C31	CK73GBB1H104K	C CAPACITOR	0.1uF 50V K	1	
	C32	CK73GBB1H333K	C CAPACITOR	0.033uF 50V K	1	
	C41	CK73GBB0J225K	C CAPACITOR	2.2uF 6.3V K	1	
	C42	CK73GBB0J225K	C CAPACITOR	2.2uF 6.3V K	1	
	C51	CK73HBB1H103K	C CAPACITOR	0.01uF 50V K	1	
	C52	CK73HXR0J105K	C CAPACITOR	1uF 6.3V K	1	
	C71	NCJA1EK-104W-G	C CAPACITOR	0.1uF 25V K	1	
	C80	CK73GBB0J225K	C CAPACITOR	2.2uF 6.3V K	1	
	C90	CK73HBB1E103K	C CAPACITOR	0.01uF 25V K	1	
	C96	CK73HBB1E103K	C CAPACITOR	0.01uF 25V K	1	
	C97	CK73HBB1E103K	C CAPACITOR	0.01uF 25V K	1	
	C100	CE32CB1C100M	E CAPACITOR	10uF 16V M	1	
	C101	CK73GBB1C474K	C CAPACITOR	0.47uF 16V K	1	
	C102	CK73GBB1C474K	C CAPACITOR	0.47uF 16V K	1	
	C103	CK73GBB1C474K	C CAPACITOR	0.47uF 16V K	1	
	C104	CK73GBB1C474K	C CAPACITOR	0.47uF 16V K	1	
	C105	CC73HCH1H050C	C CAPACITOR	5pF 50V C	1	
	C106	CC73HCH1H050C	C CAPACITOR	5pF 50V C	1	
	C109	CK73GBB1C474K	C CAPACITOR	0.47uF 16V K	1	
	C110	CK73GBB1C474K	C CAPACITOR	0.47uF 16V K	1	
	C111	CK73GBB1C474K	C CAPACITOR	0.47uF 16V K	1	
	C112	CK73GBB1C474K	C CAPACITOR	0.47uF 16V K	1	
	C113	CK73GBB1C474K	C CAPACITOR	0.47uF 16V K	1	
	C114	CK73GBB1C474K	C CAPACITOR	0.47uF 16V K	1	
	C115	CK73GBB1H104K	C CAPACITOR	0.1uF 50V K	1	
	C121	CK73HBB1H102K	C CAPACITOR	1000pF 50V K	1	
	C122	CK73HBB1H221K	C CAPACITOR	220pF 50V K	1	
	C123	CK73HBB1H102K	C CAPACITOR	1000pF 50V K	1	
	C124	CK73HBB1H102K	C CAPACITOR	1000pF 50V K	1	
	C125	CK73HBB1H102K	C CAPACITOR	1000pF 50V K	1	
	C126	CK73HBB1H102K	C CAPACITOR	1000pF 50V K	1	
	C127	CK73HBB1H102K	C CAPACITOR	1000pF 50V K	1	
	C128	CK73HBB1H102K	C CAPACITOR	1000pF 50V K	1	
	C131	CK73HBB1H221K	C CAPACITOR	220pF 50V K	1	
	C132	CK73HBB1H102K	C CAPACITOR	1000pF 50V K	1	
	C133	CK73HBB1H221K	C CAPACITOR	220pF 50V K	1	
	C134	CK73HBB1H221K	C CAPACITOR	220pF 50V K	1	
	C135	CK73HBB1H221K	C CAPACITOR	220pF 50V K	1	
	C136	CK73HBB1H221K	C CAPACITOR	220pF 50V K	1	
	C137	CK73HBB1H221K	C CAPACITOR	220pF 50V K	1	
	C138	CK73HBB1H221K	C CAPACITOR	220pF 50V K	1	
	C145	CK73HXR0J105K	C CAPACITOR	1uF 6.3V K	1	
	C146	CK73HXR0J105K	C CAPACITOR	1uF 6.3V K	1	
	C151	CE32CA1C100M	E CAPACITOR	10uF 16V M	1	
	C152	CE32CA1C100M	E CAPACITOR	10uF 16V M	1	
	C153	CK73EBB1C106K	C CAPACITOR	10uF 16V K	1	
	C154	CK73EBB1C106K	C CAPACITOR	10uF 16V K	1	
	C155	CK73EBB1C106K	C CAPACITOR	10uF 16V K	1	
	C171	CK73HBB1H102K	C CAPACITOR	1000pF 50V K	1	
	C172	CK73HBB1H102K	C CAPACITOR	1000pF 50V K	1	
	C173	CK73HBB1H102K	C CAPACITOR	1000pF 50V K	1	
	C174	CK73HBB1H102K	C CAPACITOR	1000pF 50V K	1	
	C175	CK73HBB1H102K	C CAPACITOR	1000pF 50V K	1	

MODEL	MARK	MODEL	MARK	MODEL	MARK	MODEL	MARK
DNX7160BTS	R1	DNX773S	K2	DNX8160DABS	E1	DNX8160DABS	X1
DNX8160S	M1	DNX8160SM	M2	DNX893S	K1		

Safe	Symbol No.	Parts No.	Parts Name	Description	QTY	Local
	C177	CK73HBB1H102K	C CAPACITOR	1000pF 50V K	1	
	C191	CK73EBB1C106K	C CAPACITOR	10uF 16V K	1	
	C192	CK73EBB1C106K	C CAPACITOR	10uF 16V K	1	
	C195	CK73HBB1H102K	C CAPACITOR	1000pF 50V K	1	
	C196	CK73HBB1H102K	C CAPACITOR	1000pF 50V K	1	
	C197	CK73HBB1H102K	C CAPACITOR	1000pF 50V K	1	
	C201	CE32CB1C470M	E CAPACITOR	47uF 16V M	1	
	C202	CK73HBB1H103K	C CAPACITOR	0.01uF 50V K	1	
	C203	CK73HBB1H103K	C CAPACITOR	0.01uF 50V K	1	
	C204	CE32CB1C470M	E CAPACITOR	47uF 16V M	1	
	C205	CK73HXR0J105K	C CAPACITOR	1uF 6.3V K	1	
	C206	CK73GBB0J105K	C CAPACITOR	1uF 6.3V K	1	
	C207	CK73GBB1A474K	C CAPACITOR	0.47uF 10V K	1	
	C208	CK73GBB0J105K	C CAPACITOR	1uF 6.3V K	1	
	C209	CK73GBB1A474K	C CAPACITOR	0.47uF 10V K	1	
	C211	CK73GBB1C105K	C CAPACITOR	1uF 16V K	1	
	C212	CK73GBB1C105K	C CAPACITOR	1uF 16V K	1	
	C213	CK73GBB1C105K	C CAPACITOR	1uF 16V K	1	
	C214	CK73GBB1C105K	C CAPACITOR	1uF 16V K	1	
	C215	CK73GBB1C105K	C CAPACITOR	1uF 16V K	1	
	C216	CK73GBB1C105K	C CAPACITOR	1uF 16V K	1	
	C217	CK73GBB1C105K	C CAPACITOR	1uF 16V K	1	
	C218	CK73GBB1C105K	C CAPACITOR	1uF 16V K	1	
	C219	CK73GBB1C105K	C CAPACITOR	1uF 16V K	1	
	C220	CK73GBB1C105K	C CAPACITOR	1uF 16V K	1	
	C221	CE32CA1C100M	E CAPACITOR	10uF 16V M	1	
	C222	CE32CA1C100M	E CAPACITOR	10uF 16V M	1	
	C223	CK73GBB1C105K	C CAPACITOR	1uF 16V K	1	
	C224	CK73GBB1C105K	C CAPACITOR	1uF 16V K	1	
	C225	CK73FBB0J106K	C CAPACITOR	10uF 6.3V K	1	
	C227	CK73GBB1C105K	C CAPACITOR	1uF 16V K	1	
	C228	CK73GBB1C105K	C CAPACITOR	1uF 16V K	1	
	C229	CK73FBB0J106K	C CAPACITOR	10uF 6.3V K	1	
	C264	CK73HBB1H102K	C CAPACITOR	1000pF 50V K	1	K2,K1
	C265	CK73HBB1H102K	C CAPACITOR	1000pF 50V K	1	K2,K1
	C266	CK73HBB1H102K	C CAPACITOR	1000pF 50V K	1	K2,K1
	C267	CK73FXR1C106K	C CAPACITOR	10uF 16V K	1	K2,K1
	C268	CK73GBB1H104K	C CAPACITOR	0.1uF 50V K	1	K2,K1
	C272	CK73GBB1C105K	C CAPACITOR	1uF 16V K	1	K2,K1
	C273	CK73GBB1C105K	C CAPACITOR	1uF 16V K	1	K2,K1
	C274	CK73GBB1C105K	C CAPACITOR	1uF 16V K	1	K2,K1
	C275	CK73GBB1C105K	C CAPACITOR	1uF 16V K	1	
	C276	CK73GBB1C105K	C CAPACITOR	1uF 16V K	1	
	C277	CK73GBB1C105K	C CAPACITOR	1uF 16V K	1	
	C278	CK73GBB1C105K	C CAPACITOR	1uF 16V K	1	
	C279	CK73HBB1C103K	C CAPACITOR	0.01uF 16V K	1	
	C280	CE32CB1C470M	E CAPACITOR	47uF 16V M	1	
	C281	CK73EXR1E106K	C CAPACITOR	10uF 25V K	1	
	C282	CK73EXR1E106K	C CAPACITOR	10uF 25V K	1	
	C283	CK73HBB1H102K	C CAPACITOR	1000pF 50V K	1	K2,K1
	C284	CK73HBB1H102K	C CAPACITOR	1000pF 50V K	1	K2,K1
	C285	CK73HBB1H102K	C CAPACITOR	1000pF 50V K	1	K2,K1
	C302	CK73GXR1C225K	C CAPACITOR	2.2uF 16V K	1	
	C303	CK73GBB1H104K	C CAPACITOR	0.1uF 50V K	1	
	C304	CK73HBB1H102K	C CAPACITOR	1000pF 50V K	1	
	C305	CK73HBB1A104K	C CAPACITOR	0.1uF 10V K	1	
	C306	CK73FBB0J106K	C CAPACITOR	10uF 6.3V K	1	
	C308	CK73HBB1A104K	C CAPACITOR	0.1uF 10V K	1	
	C309	CK73HBB1H103K	C CAPACITOR	0.01uF 50V K	1	
	C321	CK73HBB1A104K	C CAPACITOR	0.1uF 10V K	1	
	C322	CK73HBB1H103K	C CAPACITOR	0.01uF 50V K	1	
	C358	CK73HBB1A104K	C CAPACITOR	0.1uF 10V K	1	E1,X1
	C359	CK73HBB1H103K	C CAPACITOR	0.01uF 50V K	1	E1,X1
	C361	CK73HXR0J105K	C CAPACITOR	1uF 6.3V K	1	E1,X1
	C362	CK73HBB1A104K	C CAPACITOR	0.1uF 10V K	1	E1,X1
	C363	CK730AU0J474K	C CAPACITOR	0.47uF 6.3V K	1	E1,X1
	C371	CK73HBB1H103K	C CAPACITOR	0.01uF 50V K	1	E1,X1
	C402	CK73HBB1H102K	C CAPACITOR	1000pF 50V K	1	R1,E1,M1,M2
	C403	CK73FBB0J106K	C CAPACITOR	10uF 6.3V K	1	R1,E1,M1,M2
	C404	CK73HBB1E223K	C CAPACITOR	0.022uF 25V K	1	R1,E1,M1,M2
	C405	CK73FBB0J106K	C CAPACITOR	10uF 6.3V K	1	R1,E1,M1,M2
	C406	CK73HBB1A104K	C CAPACITOR	0.1uF 10V K	1	R1,E1,M1,M2
	C407	CC73HCH1H330J	C CAPACITOR	33pF 50V J	1	R1,E1,M1,M2
	C411	CC73GCH1H150J	C CAPACITOR	15pF 50V J	1	R1,E1,M1,M2
	C421	CK73GBB1H104K	C CAPACITOR	0.1uF 50V K	1	R1,E1,M1,M2
	C431	CC73GCH1H220J	C CAPACITOR	22pF 50V J	1	R1,E1,M1,M2
	C432	CC73GCH1H220J	C CAPACITOR	22pF 50V J	1	R1,E1,M1,M2
	C451	CC73GCH1H060D	C CAPACITOR	6pF 50V D	1	R1,E1,M1,M2
	C452	CC73GCH1H040C	C CAPACITOR	4pF 50V C	1	R1,E1,M1,M2
	C453	CK73GBB1H102K	C CAPACITOR	1000pF 50V K	1	R1,E1,M1,M2
	C454	CC73GCH1H560J	C CAPACITOR	56pF 50V J	1	R1,E1,M1,M2
	C455	CC73GCH1H080D	C CAPACITOR	8pF 50V D	1	R1,E1,M1,M2
	C462	CK73HBB1H103K	C CAPACITOR	0.01uF 50V K	1	R1,E1,M1,M2
	C463	CK73HBB1H102K	C CAPACITOR	1000pF 50V K	1	R1,E1,M1,M2
	C464	CC73GCH1H030C	C CAPACITOR	3pF 50V C	1	R1,E1,M1,M2
	C501	CK73GBB1C105K	C CAPACITOR	1uF 16V K	1	K2,K1
	C502	CK73GBB1C105K	C CAPACITOR	1uF 16V K	1	K2,K1
	C503	CK73GBB1C105K	C CAPACITOR	1uF 16V K	1	K2,K1
	C511	CK73GBB1H104K	C CAPACITOR	0.1uF 50V K	1	K2,E1,K1
	C512	CK73GBB1H104K	C CAPACITOR	0.1uF 50V K	1	K2,E1,K1

MODEL	MARK	MODEL	MARK	MODEL	MARK	MODEL	MARK
DNX7160BTS	R1	DNX773S	K2	DNX8160DABS	E1	DNX8160DABS	X1
DNX8160S	M1	DNX8160SM	M2	DNX893S	K1		

Safe	Symbol No.	Parts No.	Parts Name	Description	QTY	Local
	C551	CK73HBB1H221K	C CAPACITOR	220pF 50V K	1	R1,E1,X1,M1,M2
	C561	CK73HBB1H221K	C CAPACITOR	220pF 50V K	1	R1,E1,X1,M1,M2
	C571	CK73HBB1H102K	C CAPACITOR	1000pF 50V K	1	R1,E1,X1,M1,M2
	C601	CE32CA1C100M	E CAPACITOR	10uF 16V M	1	R1,E1,X1,M1,M2,K1
	C602	CE32CA1C100M	E CAPACITOR	10uF 16V M	1	R1,E1,X1,M1,M2,K1
	C603	CK73EBB1C106K	C CAPACITOR	10uF 16V K	1	R1,E1,X1,M1,M2,K1
	C604	CK73EBB1C106K	C CAPACITOR	10uF 16V K	1	R1,E1,X1,M1,M2,K1
	C605	CK73EBB1C106K	C CAPACITOR	10uF 16V K	1	R1,E1,X1,M1,M2,K1
	C610	CK73EBB1C106K	C CAPACITOR	10uF 16V K	1	R1,E1,X1,M1,M2,K1
	C611	CK73HBB1H103K	C CAPACITOR	0.01uF 50V K	1	R1,E1,X1,M1,M2,K1
	C612	CK73GBB1C105K	C CAPACITOR	1uF 16V K	1	R1,E1,X1,M1,M2,K1
	C613	CK73GBB1C105K	C CAPACITOR	1uF 16V K	1	R1,E1,X1,M1,M2,K1
	C614	CK73GBB1C105K	C CAPACITOR	1uF 16V K	1	R1,E1,X1,M1,M2,K1
	C616	CK73GBB1C105K	C CAPACITOR	1uF 16V K	1	R1,E1,X1,M1,M2,K1
	C618	CK73GBB1C105K	C CAPACITOR	1uF 16V K	1	R1,E1,X1,M1,M2,K1
	C619	CK73GBB1H102K	C CAPACITOR	1000pF 50V K	1	R1,E1,X1,M1,M2,K1
	C713	CK73GXR0J475K	C CAPACITOR	4.7uF 6.3V K	1	
	C714	CK73GXR0J475K	C CAPACITOR	4.7uF 6.3V K	1	
	C715	CK73GXR0J475K	C CAPACITOR	4.7uF 6.3V K	1	
	C716	CK73GXR0J475K	C CAPACITOR	4.7uF 6.3V K	1	
	C721	CK73GXR0J475K	C CAPACITOR	4.7uF 6.3V K	1	
	C722	CK73GXR0J475K	C CAPACITOR	4.7uF 6.3V K	1	
	C781	CE32CB1V101M	E CAPACITOR	100uF 35V M	1	
	C790	CK73EXR1E106K	C CAPACITOR	10uF 25V K	1	
	C791	CK73FXR1C106K	C CAPACITOR	10uF 16V K	1	
	C792	CK73FXR1C106K	C CAPACITOR	10uF 16V K	1	
	R15	RK73GH2A273D	MG RESISTOR	27kΩ 1/10W D	1	
	R17	RK73GH2A472D	MG RESISTOR	4.7kΩ 1/10W D	1	
	R18	RK73HB1J101J	MG RESISTOR	100Ω 1/16W J	1	
	R19	RK73HB1J000J	MG RESISTOR	0Ω 1/16W J	1	
	R23	RK73FB2B000J	MG RESISTOR	0Ω 1/8W J	1	
	R24	RK73FB2B000J	MG RESISTOR	0Ω 1/8W J	1	
	R25	RK73FB2B000J	MG RESISTOR	0Ω 1/8W J	1	
	R27	RK73FB2B000J	MG RESISTOR	0Ω 1/8W J	1	
	R31	RK73EB2E622J	MG RESISTOR	6.2kΩ 1/4W J	1	
	R32	RK73EB2E622J	MG RESISTOR	6.2kΩ 1/4W J	1	
	R33	RK73HH1J753D	MG RESISTOR	75kΩ 1/16W D	1	
	R34	RK73HH1J104D	MG RESISTOR	100kΩ 1/16W D	1	
	R35	RK73HH1J474D	MG RESISTOR	470kΩ 1/16W D	1	
	R36	RK73HB1J224J	MG RESISTOR	220kΩ 1/16W J	1	
	R37	RK73EB2E153J	MG RESISTOR	15kΩ 1/4W J	1	
	R38	RK73GB2A101J	MG RESISTOR	100Ω 1/10W J	1	
	R40	RK73GB2A000J	MG RESISTOR	0Ω 1/10W J	1	E1
	R41	RK73FB2B472J	MG RESISTOR	4.7kΩ 1/8W J	1	
	R42	RK73FB2B472J	MG RESISTOR	4.7kΩ 1/8W J	1	R1,K2,X1,M1,M2,K1
	R51	RK73HB1J102J	MG RESISTOR	1kΩ 1/16W J	1	
	R52	RK73GB2A202J	MG RESISTOR	2kΩ 1/10W J	1	
	R61	RK73GB2A152J	MG RESISTOR	1.5kΩ 1/10W J	1	
	R72	RK73HB1J123J	MG RESISTOR	12kΩ 1/16W J	1	
	R73	RK73HB1J683J	MG RESISTOR	68kΩ 1/16W J	1	
	R74	RK73HB1J103J	MG RESISTOR	10kΩ 1/16W J	1	
	R80	RK73HB1J471J	MG RESISTOR	470Ω 1/16W J	1	
	R81	RK73HB1J473J	MG RESISTOR	47kΩ 1/16W J	1	
	R82	RK73FB2B103J	MG RESISTOR	10kΩ 1/8W J	1	
	R83	RK73HB1J223J	MG RESISTOR	22kΩ 1/16W J	1	
	R84	RK73HB1J473J	MG RESISTOR	47kΩ 1/16W J	1	
	R90	RK73GB2A272J	MG RESISTOR	2.7kΩ 1/10W J	1	
	R91	RK73HB1J102J	MG RESISTOR	1kΩ 1/16W J	1	
	R96	RK73FB2B752J	MG RESISTOR	7.5kΩ 1/8W J	1	
	R97	RK73HB1J753J	MG RESISTOR	75kΩ 1/16W J	1	
	R98	RK73HB1J223J	MG RESISTOR	22kΩ 1/16W J	1	
	R101	RK73HB1J120J	MG RESISTOR	12Ω 1/16W J	1	
	R102	RK73HB1J120J	MG RESISTOR	12Ω 1/16W J	1	
	R103	RK73HB1J120J	MG RESISTOR	12Ω 1/16W J	1	
	R104	RK73HB1J120J	MG RESISTOR	12Ω 1/16W J	1	
	R115	RK73HB1J101J	MG RESISTOR	100Ω 1/16W J	1	
	R141	RK73GB2A562J	MG RESISTOR	5.6kΩ 1/10W J	1	
	R142	RK73HB1J331J	MG RESISTOR	330Ω 1/16W J	1	
	R143	RK73HB1J223J	MG RESISTOR	22kΩ 1/16W J	1	
	R144	RK73HB1J751J	MG RESISTOR	750Ω 1/16W J	1	
	R145	RK73HB1J333J	MG RESISTOR	33kΩ 1/16W J	1	
	R146	RK73HB1J3R0J	MG RESISTOR	3Ω 1/16W J	1	
	R147	RK73GB2A000J	MG RESISTOR	0Ω 1/10W J	1	
	R148	RK73GB2A000J	MG RESISTOR	0Ω 1/10W J	1	
	R151	RK73HB1J471J	MG RESISTOR	470Ω 1/16W J	1	
	R152	RK73HB1J471J	MG RESISTOR	470Ω 1/16W J	1	
	R153	RK73HB1J471J	MG RESISTOR	470Ω 1/16W J	1	
	R154	RK73HB1J471J	MG RESISTOR	470Ω 1/16W J	1	
	R155	RK73HB1J471J	MG RESISTOR	470Ω 1/16W J	1	
	R156	RK73HB1J473J	MG RESISTOR	47kΩ 1/16W J	1	
	R157	RK73HB1J000J	MG RESISTOR	0Ω 1/16W J	1	
	R159	RK73HB1J473J	MG RESISTOR	47kΩ 1/16W J	1	
	R161	RK73HB1J223J	MG RESISTOR	22kΩ 1/16W J	1	
	R162	RK73HB1J223J	MG RESISTOR	22kΩ 1/16W J	1	
	R163	RK73HB1J223J	MG RESISTOR	22kΩ 1/16W J	1	
	R164	RK73HB1J223J	MG RESISTOR	22kΩ 1/16W J	1	
	R165	RK73HB1J223J	MG RESISTOR	22kΩ 1/16W J	1	
	R171	RK73GB2A101J	MG RESISTOR	100Ω 1/10W J	1	
	R172	RK73GB2A101J	MG RESISTOR	100Ω 1/10W J	1	
	R173	RK73GB2A101J	MG RESISTOR	100Ω 1/10W J	1	
	R174	RK73GB2A101J	MG RESISTOR	100Ω 1/10W J	1	
	R175	RK73GB2A101J	MG RESISTOR	100Ω 1/10W J	1	

MODEL	MARK	MODEL	MARK	MODEL	MARK	MODEL	MARK
DNX7160BTS	R1	DNX773S	K2	DNX8160DABS	E1	DNX8160DABS	X1
DNX8160S	M1	DNX8160SM	M2	DNX893S	K1		

Safe	Symbol No.	Parts No.	Parts Name	Description	QTY	Local
	R181	RK73HB1J000J	MG RESISTOR	0Ω 1/16W J	1	K2
	R182	RK73HB1J000J	MG RESISTOR	0Ω 1/16W J	1	K2
	R183	RK73HB1J000J	MG RESISTOR	0Ω 1/16W J	1	K2
	R184	RK73HB1J000J	MG RESISTOR	0Ω 1/16W J	1	K2
	R185	RK73HB1J000J	MG RESISTOR	0Ω 1/16W J	1	K2
	R191	RK73HB1J471J	MG RESISTOR	470Ω 1/16W J	1	
	R192	RK73HB1J471J	MG RESISTOR	470Ω 1/16W J	1	
	R193	RK73HB1J223J	MG RESISTOR	22kΩ 1/16W J	1	
	R194	RK73HB1J223J	MG RESISTOR	22kΩ 1/16W J	1	
	R195	RK73GB2A101J	MG RESISTOR	100Ω 1/10W J	1	
	R196	RK73GB2A101J	MG RESISTOR	100Ω 1/10W J	1	
	R201	RK73GB2A2R2J	MG RESISTOR	2.2Ω 1/10W J	1	
	R202	RK73HB1J102J	MG RESISTOR	1kΩ 1/16W J	1	
	R204	RK73HB1J103J	MG RESISTOR	10kΩ 1/16W J	1	
	R205	RK73HB1J101J	MG RESISTOR	100Ω 1/16W J	1	
	R206	RK73HB1J101J	MG RESISTOR	100Ω 1/16W J	1	
	R209	RK73HB1J101J	MG RESISTOR	100Ω 1/16W J	1	
	R213	RK73HB1J000J	MG RESISTOR	0Ω 1/16W J	1	R1,E1,X1,M1,M2
	R214	RK73HB1J000J	MG RESISTOR	0Ω 1/16W J	1	R1,E1,X1,M1,M2
	R215	RK73HB1J000J	MG RESISTOR	0Ω 1/16W J	1	R1,E1,X1,M1,M2
	R217	RK73HB1J000J	MG RESISTOR	0Ω 1/16W J	1	
	R218	RK73HB1J000J	MG RESISTOR	0Ω 1/16W J	1	
	R223	RK73HB1J000J	MG RESISTOR	0Ω 1/16W J	1	K2,K1
	R224	RK73HB1J000J	MG RESISTOR	0Ω 1/16W J	1	K2,K1
	R225	RK73HB1J000J	MG RESISTOR	0Ω 1/16W J	1	K2,K1
	R264	RK73HB1J473J	MG RESISTOR	47kΩ 1/16W J	1	K2,K1
	R265	RK73HB1J473J	MG RESISTOR	47kΩ 1/16W J	1	K2,K1
	R266	RK73HB1J473J	MG RESISTOR	47kΩ 1/16W J	1	K2,K1
	R274	RK73HB1J473J	MG RESISTOR	47kΩ 1/16W J	1	K2,K1
	R275	RK73HB1J473J	MG RESISTOR	47kΩ 1/16W J	1	K2,K1
	R276	RK73HB1J473J	MG RESISTOR	47kΩ 1/16W J	1	K2,K1
	R279	RK73HB1J473J	MG RESISTOR	47kΩ 1/16W J	1	K2,K1
	R280	RK73HB1J473J	MG RESISTOR	47kΩ 1/16W J	1	K2,K1
	R281	RK73HB1J473J	MG RESISTOR	47kΩ 1/16W J	1	K2,K1
	R283	RK73HB1J473J	MG RESISTOR	47kΩ 1/16W J	1	K2,K1
	R284	RK73HB1J473J	MG RESISTOR	47kΩ 1/16W J	1	K2,K1
	R285	RK73HB1J473J	MG RESISTOR	47kΩ 1/16W J	1	K2,K1
	R290	RK73HB1J102J	MG RESISTOR	1kΩ 1/16W J	1	
	R291	RK73HB1J222J	MG RESISTOR	2.2kΩ 1/16W J	1	
	R293	RK73GB2A2R2J	MG RESISTOR	2.2Ω 1/10W J	1	
	R294	RK73HB1J473J	MG RESISTOR	47kΩ 1/16W J	1	K2,K1
	R301	RK73HB1J473J	MG RESISTOR	47kΩ 1/16W J	1	
	R331	RK73GB2A000J	MG RESISTOR	0Ω 1/10W J	1	K2,K1
	R332	RK73GB2A000J	MG RESISTOR	0Ω 1/10W J	1	K2,K1
	R333	RK73GB2A000J	MG RESISTOR	0Ω 1/10W J	1	K2,K1
	R334	RK73GB2A000J	MG RESISTOR	0Ω 1/10W J	1	K2,K1
	R361	RK73GB2A2R2J	MG RESISTOR	2.2Ω 1/10W J	1	E1,X1
	R362	RK73HB1J473J	MG RESISTOR	47kΩ 1/16W J	1	E1,X1
	R363	RK73HB1J102J	MG RESISTOR	1kΩ 1/16W J	1	E1,X1
	R364	RK73HB1J473J	MG RESISTOR	47kΩ 1/16W J	1	E1,X1
	R365	RK73HB1J473J	MG RESISTOR	47kΩ 1/16W J	1	E1,X1
	R366	RK73HB1J473J	MG RESISTOR	47kΩ 1/16W J	1	E1,X1
	R367	RK73HB1J473J	MG RESISTOR	47kΩ 1/16W J	1	E1,X1
	R371	RK73HB1J472J	MG RESISTOR	4.7kΩ 1/16W J	1	E1,X1
	R372	RK73HB1J472J	MG RESISTOR	4.7kΩ 1/16W J	1	E1,X1
	R373	RK73HB1J102J	MG RESISTOR	1kΩ 1/16W J	1	E1,X1
	R374	RK73HB1J472J	MG RESISTOR	4.7kΩ 1/16W J	1	E1,X1
	R375	RK73HB1J472J	MG RESISTOR	4.7kΩ 1/16W J	1	E1,X1
	R377	RK73HB1J103J	MG RESISTOR	10kΩ 1/16W J	1	E1,X1
	R378	RK73HB1J000J	MG RESISTOR	0Ω 1/16W J	1	E1,X1
	R379	RK73HB1J102J	MG RESISTOR	1kΩ 1/16W J	1	E1,X1
	R383	RK73HB1J472J	MG RESISTOR	4.7kΩ 1/16W J	1	E1,X1
	R385	RK73HB1J472J	MG RESISTOR	4.7kΩ 1/16W J	1	E1,X1
	R387	RK73HB1J562J	MG RESISTOR	5.6kΩ 1/16W J	1	E1,X1
	R390	RK73HB1J472J	MG RESISTOR	4.7kΩ 1/16W J	1	X1
	R391	RK73GB2A000J	MG RESISTOR	0Ω 1/10W J	1	E1
	R392	RK73HB1J473J	MG RESISTOR	47kΩ 1/16W J	1	X1
	R393	RK73GB2A472J	MG RESISTOR	4.7kΩ 1/10W J	1	X1
	R394	RK73HB1J101J	MG RESISTOR	100Ω 1/16W J	1	X1
	R402	RK73HB1J103J	MG RESISTOR	10kΩ 1/16W J	1	R1,E1,M1,M2
	R421	RK73HB1J202J	MG RESISTOR	2kΩ 1/16W J	1	R1,E1,M1,M2
	R422	RK73HB1J272J	MG RESISTOR	2.7kΩ 1/16W J	1	R1,E1,M1,M2
	R423	RK73HB1J471J	MG RESISTOR	470Ω 1/16W J	1	R1,E1,M1,M2
	R424	RK73HB1J471J	MG RESISTOR	470Ω 1/16W J	1	R1,E1,M1,M2
	R425	RK73HB1J221J	MG RESISTOR	220Ω 1/16W J	1	R1,E1,M1,M2
	R426	RK73HB1J272J	MG RESISTOR	2.7kΩ 1/16W J	1	R1,E1,M1,M2
	R432	RK73GB2A202J	MG RESISTOR	2kΩ 1/10W J	1	R1,E1,M1,M2
	R452	RK73GB2A683J	MG RESISTOR	68kΩ 1/10W J	1	R1,E1,M1,M2
	R453	RK73GB2A153J	MG RESISTOR	15kΩ 1/10W J	1	R1,E1,M1,M2
	R454	RK73GB2A393J	MG RESISTOR	39kΩ 1/10W J	1	R1,E1,M1,M2
	R455	RK73GB2A623J	MG RESISTOR	62kΩ 1/10W J	1	R1,E1,M1,M2
	R456	RK73GB2A472J	MG RESISTOR	4.7kΩ 1/10W J	1	R1,E1,M1,M2
	R457	RK73GB2A200J	MG RESISTOR	20Ω 1/10W J	1	R1,E1,M1,M2
	R500	RK73EB2E000J	MG RESISTOR	0Ω 1/4W J	1	K2,K1
	R501	RK73GB2A100J	MG RESISTOR	10Ω 1/10W J	1	K2,K1
	R502	RK73GB2A100J	MG RESISTOR	10Ω 1/10W J	1	K2,K1
	R503	RK73GB2A4R7J	MG RESISTOR	4.7Ω 1/10W J	1	K2,K1
	R504	RK73GB2A102J	MG RESISTOR	1kΩ 1/10W J	1	K2,K1
	R511	RK73GB2A101J	MG RESISTOR	100Ω 1/10W J	1	K2,E1,K1
	R512	RK73GB2A101J	MG RESISTOR	100Ω 1/10W J	1	K2,E1,K1

MODEL	MARK	MODEL	MARK	MODEL	MARK	MODEL	MARK
DNX7160BTS	R1	DNX773S	K2	DNX8160DABS	E1	DNX8160DABS	X1
DNX8160S	M1	DNX8160SM	M2	DNX893S	K1		

Safe	Symbol No.	Parts No.	Parts Name	Description	QTY	Local
	R513	RK73GB2A101J	MG RESISTOR	100Ω 1/10W J	1	K2,E1,K1
	R514	RK73GB2A2R2J	MG RESISTOR	2.2Ω 1/10W J	1	K2,E1,K1
	R515	RK73HB1J272J	MG RESISTOR	2.7kΩ 1/16W J	1	K2,E1,K1
	R516	RK73HB1J473J	MG RESISTOR	47kΩ 1/16W J	1	K2,E1,K1
	R517	RK73HB1J272J	MG RESISTOR	2.7kΩ 1/16W J	1	K2,E1,K1
	R551	RK73GB2A470J	MG RESISTOR	47Ω 1/10W J	1	R1,E1,X1,M1,M2
	R552	RK73GH2A472D	MG RESISTOR	4.7kΩ 1/10W D	1	R1,E1,X1,M1,M2
	R553	RK73EB2E511J	MG RESISTOR	510Ω 1/4W J	1	R1,E1,X1,M1,M2
	R554	RK73GB2A152J	MG RESISTOR	1.5kΩ 1/10W J	1	R1,E1,X1,M1,M2
	R555	RK73GB2A681J	MG RESISTOR	680Ω 1/10W J	1	R1,E1,X1,M1,M2
	R556	RK73GB2A104J	MG RESISTOR	100kΩ 1/10W J	1	R1,E1,X1,M1,M2
	R557	RK73GB2A102J	MG RESISTOR	1kΩ 1/10W J	1	R1,E1,X1,M1,M2
	R561	RK73GB2A470J	MG RESISTOR	47Ω 1/10W J	1	R1,E1,X1,M1,M2
	R562	RK73GH2A472D	MG RESISTOR	4.7kΩ 1/10W D	1	R1,E1,X1,M1,M2
	R563	RK73EB2E511J	MG RESISTOR	510Ω 1/4W J	1	R1,E1,X1,M1,M2
	R564	RK73GB2A152J	MG RESISTOR	1.5kΩ 1/10W J	1	R1,E1,X1,M1,M2
	R565	RK73GB2A681J	MG RESISTOR	680Ω 1/10W J	1	R1,E1,X1,M1,M2
	R566	RK73GB2A104J	MG RESISTOR	100kΩ 1/10W J	1	R1,E1,X1,M1,M2
	R567	RK73GB2A102J	MG RESISTOR	1kΩ 1/10W J	1	R1,E1,X1,M1,M2
	R611	RK73GB2A2R2J	MG RESISTOR	2.2Ω 1/10W J	1	R1,E1,X1,M1,M2,K1
	R612	RK73HB1J103J	MG RESISTOR	10kΩ 1/16W J	1	R1,E1,X1,M1,M2,K1
	R614	RK73HB1J102J	MG RESISTOR	1kΩ 1/16W J	1	R1,E1,X1,M1,M2,K1
	R615	RK73HB1J100J	MG RESISTOR	10Ω 1/16W J	1	R1,E1,X1,M1,M2,K1
	R616	RK73HB1J684J	MG RESISTOR	680kΩ 1/16W J	1	R1,E1,X1,M1,M2,K1
	R781	RK73GB2A102J	MG RESISTOR	1kΩ 1/10W J	1	
	R782	RK73HB1J222J	MG RESISTOR	2.2kΩ 1/16W J	1	
	R784	RK73FB2B000J	MG RESISTOR	0Ω 1/8W J	1	
	R787	RK73HB1J105J	MG RESISTOR	1MΩ 1/16W J	1	
	R788	RK73HB1J000J	MG RESISTOR	0Ω 1/16W J	1	
	R789	RK73HB1J000J	MG RESISTOR	0Ω 1/16W J	1	
	R792	RK73HH1J751D	MG RESISTOR	750Ω 1/16W D	1	
	R793	RK73HH1J822D	MG RESISTOR	8.2kΩ 1/16W D	1	
	R794	RK73HH1J751D	MG RESISTOR	750Ω 1/16W D	1	
	R824	RK73HB1J000J	MG RESISTOR	0Ω 1/16W J	1	
	R825	RK73HB1J000J	MG RESISTOR	0Ω 1/16W J	1	
	R967	RK73GB2A000J	MG RESISTOR	0Ω 1/10W J	1	
	R968	RK73GB2A000J	MG RESISTOR	0Ω 1/10W J	1	
	L1	QQR1883-002	CHOKE COIL		1	
	L301	LR73Z0AD4R7M	CHIP INDUCTOR	4.7uH	1	
	L401	LB73G0BF-002	CHIP FERRITE		1	R1,E1,M1,M2
	L411	NQLD8DJ-R15X	INDUCTOR	0.15uH J	1	R1,E1,M1,M2
	L412	NQLQ3DG-22NX	INDUCTOR	22nH G	1	R1,E1,M1,M2
	L451	NQLD8DJ-R56X	INDUCTOR	0.56uH J	1	R1,E1,M1,M2
	L452	NQLD8DJ-R15X	INDUCTOR	0.15uH J	1	R1,E1,M1,M2
	L461	LB73G0BF-002	CHIP FERRITE		1	R1,E1,M1,M2
	L601	LK73G0AQ1R0K	M.CHIP INDUCTOR	1uH	1	R1,E1,X1,M1,M2,K1
	A301	QAU0563-001	TUNER		1	R1,M1,M2
	A301	QAU0565-001	TUNER		1	K2,K1
	A301	QAU0567-001	TUNER		1	E1,X1
	CN201	QGF0534F7-60X	FFC/FPC CONNE	FFC/FPC (1-60)	1	
	CN301	QGF0534F7-50X	FFC/FPC CONNE	FFC/FPC (1-50)	1	
	CN302	QGA2001C6-04X	W TO B CONNE	W-B (1-4)	1	
	CN781	QGA1201C2-05X	W TO B CONNE	W-B (1-5)	1	
△	F171	F53-0513-08	PATTERN FUSE	4A	1	
△	F191	F53-0513-08	PATTERN FUSE	4A	1	
△	F500	FZA10BZ-3R0	FUSE (CC)		1	E1
△	F571	F53-0513-08	PATTERN FUSE	4A	1	
	J1	QNZ1064-001	CAR CONNECTOR		1	
	J151	QNN0888-001	PIN JACK		1	R1,E1,K1
	J151	QNN0889-001	PIN JACK		1	K2,X1,M1,M2
	J191	QNS0307-001	3.5 JACK		1	
	J351	QNB0353-001	ANT TERMINAL		1	E1,X1
	J501	QNZ0907-001	CIR CONNECTOR		1	K2,E1,K1
	J551	QNS0307-001	3.5 JACK		1	R1,E1,X1,M1,M2
	P411	NNZ0287-001X	SHIELD CLIP		1	R1,E1,M1,M2
	TH101	NAF0048-471X	P THERMISTOR		1	
	VA52	NAF0042-270X	VARIATOR(ZNR)		1	
	VA62	NAF0042-270X	VARIATOR(ZNR)		1	
	VA72	NAF0042-270X	VARIATOR(ZNR)		1	
	VA74	NAF0044-270X	VARIATOR(ZNR)		1	
	VA75	NAF0044-270X	VARIATOR(ZNR)		1	
	VA96	NAF0042-270X	VARIATOR(ZNR)		1	
	VA171	NAF0045-180X	VARIATOR(ZNR)		1	
	VA172	NAF0045-180X	VARIATOR(ZNR)		1	
	VA173	NAF0045-180X	VARIATOR(ZNR)		1	
	VA174	NAF0045-180X	VARIATOR(ZNR)		1	
	VA175	NAF0045-180X	VARIATOR(ZNR)		1	
	VA177	NAF0045-180X	VARIATOR(ZNR)		1	
	VA195	NAF0045-180X	VARIATOR(ZNR)		1	
	VA196	NAF0045-180X	VARIATOR(ZNR)		1	
	VA197	NAF0045-180X	VARIATOR(ZNR)		1	
	VA301	NAF0029-002X	ESD SUPPRESSOR		1	
	VA351	NAF0029-002X	ESD SUPPRESSOR		1	E1,X1
	VA501	NAF0045-180X	VARIATOR(ZNR)		1	K2,K1
	VA502	NAF0045-180X	VARIATOR(ZNR)		1	K2,K1
	VA503	NAF0045-180X	VARIATOR(ZNR)		1	K2,K1
	VA511	NAF0042-270X	VARIATOR(ZNR)		1	K2,E1,K1
	VA512	NAF0042-270X	VARIATOR(ZNR)		1	K2,E1,K1
	VA513	NAF0042-270X	VARIATOR(ZNR)		1	K2,E1,K1
	VA551	NAF0042-270X	VARIATOR(ZNR)		1	R1,E1,X1,M1,M2

MODEL	MARK	MODEL	MARK	MODEL	MARK	MODEL	MARK
DNX7160BTS	R1	DNX773S	K2	DNX8160DABS	E1	DNX8160DABS	X1
DNX8160S	M1	DNX8160SM	M2	DNX893S	K1		

Safe	Symbol No.	Parts No.	Parts Name	Description	QTY	Local
	VA561	NAF0042-270X	VARIATOR(ZNR)		1	R1,E1,X1,M1,M2
	VA571	NAF0042-270X	VARIATOR(ZNR)		1	R1,E1,X1,M1,M2
	W301	QAM1484-001	CAR CABLE		1	
	X431	NAX1256-001X	CRYSTAL		1	R1,E1,M1,M2
VIDEO PWB ASSY (XJ8-023x-xx) <XJ8>						
	IC100	W3F-0175-00	MCU IC		1	
	IC102	BU4228F	ANALOG IC		1	
	IC103	XC6223B331PG-X	IC		1	
	IC105	74AHC1G32GW-X	IC(DIGITAL)		1	
	IC106	TC7SH17FUJ	MOS IC		1	
	IC200	LM3481MMX-X	IC		1	
	IC201	TC7SH17FUJ	MOS IC		1	
	IC202	XC6213B332N-G	MOS IC		1	
	IC300	NJM2831F92-X	SV-ANALOGUE IC		1	
	IC400	BU17102AKV-M	MOS IC		1	E1,X1,M1,M2
	IC401	TC7WH125FKJC	MOS IC		1	
	IC402	TC7SH00FUJF	MOS IC		1	
	IC502	-----	MOS IC	NO SERVICE PART	1	E1,X1,M1,M2,K1
	IC503	XC6223B331PG-X	IC		1	E1,X1,M1,M2,K1
	Q100	LTC014YEBFS8	DIGI TRANSISTOR		1	
	Q101	LTC014YEBFS8	DIGI TRANSISTOR		1	
	Q106	LTA014EUBFS8	DIGI TRANSISTOR		1	E1
	Q108	LTC014EUBFS8	DIGI TRANSISTOR		1	E1
	Q200	LTA043ZEBFS8	DIGI TRANSISTOR		1	
	Q201	LSAR523UBFS8	TRANSISTOR		1	
	Q202	RTQ035N03-W	MOS FET		1	
	Q203	LSAR523UBFS8	TRANSISTOR		1	
	Q204	LSCR523UBFS8	TRANSISTOR		1	
	Q205	LSCR523UBFS8	TRANSISTOR		1	
	Q206	LSCR523UBFS8	TRANSISTOR		1	
	Q207	LSAR523UBFS8	TRANSISTOR		1	
	Q208	LSCR523UBFS8	TRANSISTOR		1	
	Q209	LSCR523UBFS8	TRANSISTOR		1	
	Q210	LSCR523UBFS8	TRANSISTOR		1	
	Q211	LSCR523UBFS8	TRANSISTOR		1	
	Q212	LSCR523UBFS8	TRANSISTOR		1	
	Q213	LTC043ZEBFS8	DIGI TRANSISTOR		1	
	Q214	LTC043ZEBFS8	DIGI TRANSISTOR		1	
	Q215	LTA014YEBFS8	DIGI TRANSISTOR		1	E1
	Q216	LSCR523UBFS8	TRANSISTOR		1	E1
	Q217	LSAR523UBFS8	TRANSISTOR		1	E1
	Q218	SSM3J334R-X	MOS FET		1	E1
	Q219	LSCR523UBFS8	TRANSISTOR		1	E1
	Q300	LSCR523UBFS8	TRANSISTOR		1	
	Q301	LSCR523UBFS8	TRANSISTOR		1	
	Q302	LSAR523UBFS8	TRANSISTOR		1	
	Q303	LTA014YEBFS8	DIGI TRANSISTOR		1	
	Q304	LTA014EUBFS8	DIGI TRANSISTOR		1	
	Q305	LTC014YEBFS8	DIGI TRANSISTOR		1	
	Q306	LTC014YEBFS8	DIGI TRANSISTOR		1	
	Q307	LSAR523UBFS8	TRANSISTOR		1	
	Q308	LSCR523UBFS8	TRANSISTOR		1	
	Q309	LSCR523UBFS8	TRANSISTOR		1	
	Q310	LTA014YEBFS8	DIGI TRANSISTOR		1	
	Q311	LTC014YEBFS8	DIGI TRANSISTOR		1	
	Q312	LSCR523UBFS8	TRANSISTOR		1	
	Q313	LSCR523UBFS8	TRANSISTOR		1	
	Q400	LSCR523UBFS8	TRANSISTOR		1	
	Q401	LSAR523UBFS8	TRANSISTOR		1	
	Q402	LTC014YEBFS8	DIGI TRANSISTOR		1	
	Q403	LTC014YEBFS8	DIGI TRANSISTOR		1	
	Q404	LTC014YEBFS8	DIGI TRANSISTOR		1	
	Q405	LTC014YEBFS8	DIGI TRANSISTOR		1	
	Q500	2SC5585-E-X	TRANSISTOR		1	R1,K2
	Q501	2SC5585-E-X	TRANSISTOR		1	R1,K2
	Q502	2SA2018/F-X	TRANSISTOR		1	R1,K2
	Q503	2SA2018/F-X	TRANSISTOR		1	R1,K2
	Q504	LTA014YEBFS8	DIGI TRANSISTOR		1	R1,K2
	Q505	LSCR523UBFS8	TRANSISTOR		1	R1,K2
	Q506	LSCR523UBFS8	TRANSISTOR		1	R1,K2
	Q600	LSCR523UBFS8	TRANSISTOR		1	
	Q601	LSCR523UBFS8	TRANSISTOR		1	
	Q602	LSCR523UBFS8	TRANSISTOR		1	
	D100	RB521S-30	SCHOTTKY DIODE		1	
	D200	SJPB-L4	SCHOTTKY DIODE		1	
	D201	DA2J101	DIODE		1	
	D202	DA2J101	DIODE		1	
	D203	RB521S-30	SCHOTTKY DIODE		1	E1
	D204	RB521S-30	SCHOTTKY DIODE		1	E1
	D705	MC2850-1	DIODE ARRAY		1	
	D706	MC2850-1	DIODE ARRAY		1	E1
	C100	CC73HCH1H221J	C CAPACITOR	220pF 50V J	1	
	C101	CC73HCH1H101J	C CAPACITOR	100pF 50V J	1	
	C102	CC73HCH1H101J	C CAPACITOR	100pF 50V J	1	
	C103	CC73HCH1H101J	C CAPACITOR	100pF 50V J	1	
	C104	CC73HCH1H101J	C CAPACITOR	100pF 50V J	1	
	C105	CC73HCH1H221J	C CAPACITOR	220pF 50V J	1	
	C106	CK73HBB1C473K	C CAPACITOR	0.047uF 16V K	1	
	C107	CK73HBB1A104K	C CAPACITOR	0.1uF 10V K	1	
	C108	CK73HBB1A104K	C CAPACITOR	0.1uF 10V K	1	
	C109	CK73HBB1A104K	C CAPACITOR	0.1uF 10V K	1	

MODEL	MARK	MODEL	MARK	MODEL	MARK	MODEL	MARK
DNX7160BTS	R1	DNX773S	K2	DNX8160DABS	E1	DNX8160DABS	X1
DNX8160S	M1	DNX8160SM	M2	DNX893S	K1		

Safe	Symbol No.	Parts No.	Parts Name	Description	QTY	Local
	C111	CK73HXR0J105K	C CAPACITOR	1uF 6.3V K	1	
	C112	CK73HXR0J105K	C CAPACITOR	1uF 6.3V K	1	
	C113	CK73GBB0J105K	C CAPACITOR	1uF 6.3V K	1	
	C114	CK73EBB1A106K	C CAPACITOR	10uF 10V K	1	
	C115	CK73GBB0J105K	C CAPACITOR	1uF 6.3V K	1	
	C116	CK73HBB1A104K	C CAPACITOR	0.1uF 10V K	1	
	C117	CK73HBB1A104K	C CAPACITOR	0.1uF 10V K	1	
	C119	CK73HBB1H472K	C CAPACITOR	4700pF 50V K	1	
	C120	CK73HBB1H102K	C CAPACITOR	1000pF 50V K	1	
	C121	CK73HXR1A105K	C CAPACITOR	1uF 10V K	1	
	C123	CC73HCH1H101J	C CAPACITOR	100pF 50V J	1	
	C124	CC73HCH1H101J	C CAPACITOR	100pF 50V J	1	
	C125	CC73HCH1H101J	C CAPACITOR	100pF 50V J	1	
	C126	CC73HCH1H101J	C CAPACITOR	100pF 50V J	1	
	C127	CK73GXR0J475K	C CAPACITOR	4.7uF 6.3V K	1	E1,X1,M1,M2,K1
	C200	CK73HXR0J105K	C CAPACITOR	1uF 6.3V K	1	
	C203	CK73GXR1H104K	C CAPACITOR	0.1uF 50V K	1	
	C204	CK730BG1E106K	C CAPACITOR	10uF 25V K	1	
	C205	CK730CW1E103K	C CAPACITOR	0.01uF 25V K	1	
	C206	CK73GXR1H104K	C CAPACITOR	0.1uF 50V K	1	
	C207	CK730BG1E106K	C CAPACITOR	10uF 25V K	1	
	C208	CK730BG1E106K	C CAPACITOR	10uF 25V K	1	
	C209	CK730CW1A104K	C CAPACITOR	0.1uF 10V K	1	
	C210	CK73HXR0J105K	C CAPACITOR	1uF 6.3V K	1	
	C211	CC73GCH1H391J	C CAPACITOR	390pF 50V J	1	
	C212	CK730AV0J105K	C CAPACITOR	1uF 6.3V K	1	
	C213	CK730BG1E106K	C CAPACITOR	10uF 25V K	1	
	C214	CK730CW1A104K	C CAPACITOR	0.1uF 10V K	1	
	C215	CK73GXR1H104K	C CAPACITOR	0.1uF 50V K	1	
	C216	CK730AV0J105K	C CAPACITOR	1uF 6.3V K	1	
	C217	CK73FXR0J226M	C CAPACITOR	22uF 6.3V M	1	
	C218	CK730CW1E103K	C CAPACITOR	0.01uF 25V K	1	
	C219	CK730BG1E106K	C CAPACITOR	10uF 25V K	1	
	C220	CK730BG1E106K	C CAPACITOR	10uF 25V K	1	
	C221	CK730AV0J105K	C CAPACITOR	1uF 6.3V K	1	
	C222	CK730BG1E106K	C CAPACITOR	10uF 25V K	1	E1
	C223	CK73GBB1H104K	C CAPACITOR	0.1uF 50V K	1	E1
	C300	CK73GXR1E105K	C CAPACITOR	1uF 25V K	1	
	C301	CK73FXR1C106K	C CAPACITOR	10uF 16V K	1	
	C302	CK730BF1E475K	C CAPACITOR	4.7uF 25V K	1	
	C303	CK73GBB1H104K	C CAPACITOR	0.1uF 50V K	1	
	C304	CK73GBB1H104K	C CAPACITOR	0.1uF 50V K	1	
	C305	CK730BG1E106K	C CAPACITOR	10uF 25V K	1	
	C306	CK73FXR1E225K	C CAPACITOR	2.2uF 25V K	1	
	C307	CK73FXR1C106K	C CAPACITOR	10uF 16V K	1	
	C308	CK73GXR1E105K	C CAPACITOR	1uF 25V K	1	
	C400	CK73EBB1A106K	C CAPACITOR	10uF 10V K	1	E1,X1,M1,M2
	C401	CK73EBB1A106K	C CAPACITOR	10uF 10V K	1	E1,X1,M1,M2
	C402	CK730CW1A104K	C CAPACITOR	0.1uF 10V K	1	
	C403	CK730CW1A104K	C CAPACITOR	0.1uF 10V K	1	
	C404	CK730CW1A104K	C CAPACITOR	0.1uF 10V K	1	
	C405	CK73HBB1A104K	C CAPACITOR	0.1uF 10V K	1	E1,X1,M1,M2
	C407	CK73HBB1A104K	C CAPACITOR	0.1uF 10V K	1	E1,X1,M1,M2
	C408	CK73HBB1C104K	C CAPACITOR	0.1uF 16V K	1	
	C409	CK73HXR0J105K	C CAPACITOR	1uF 6.3V K	1	
	C410	CK730BF1E475K	C CAPACITOR	4.7uF 25V K	1	
	C411	CK73GBB1H104K	C CAPACITOR	0.1uF 50V K	1	
	C412	CK73HBB1E103K	C CAPACITOR	0.01uF 25V K	1	
	C413	CK730BF1E475K	C CAPACITOR	4.7uF 25V K	1	
	C414	CK73HBB1A104K	C CAPACITOR	0.1uF 10V K	1	
	C415	CK73HBB1E103K	C CAPACITOR	0.01uF 25V K	1	
	C416	CK73GXR0J106M	C CAPACITOR	10uF 6.3V M	1	
	C417	CK73HBB1A104K	C CAPACITOR	0.1uF 10V K	1	
	C418	CK73HBB1E103K	C CAPACITOR	0.01uF 25V K	1	
	C419	CK73FXR1C106K	C CAPACITOR	10uF 16V K	1	
	C420	CK73FXR1C106K	C CAPACITOR	10uF 16V K	1	
	C421	CK73GBB1H104K	C CAPACITOR	0.1uF 50V K	1	
	C422	CK73HBB1E103K	C CAPACITOR	0.01uF 25V K	1	
	C423	CK73HBB1A104K	C CAPACITOR	0.1uF 10V K	1	
	C424	CK73HBB1A104K	C CAPACITOR	0.1uF 10V K	1	
	C425	CK73HBB1A104K	C CAPACITOR	0.1uF 10V K	1	
	C426	CK73HBB1A104K	C CAPACITOR	0.1uF 10V K	1	
	C427	CK73HBB1A104K	C CAPACITOR	0.1uF 10V K	1	
	C428	CK73HBB1A104K	C CAPACITOR	0.1uF 10V K	1	
	C429	CK73HBB1A104K	C CAPACITOR	0.1uF 10V K	1	
	C430	CK73HBB1A104K	C CAPACITOR	0.1uF 10V K	1	
	C431	CK73GBB1H104K	C CAPACITOR	0.1uF 50V K	1	
	C432	CK73GBB1H104K	C CAPACITOR	0.1uF 50V K	1	
	C433	CC73HCH1H180J	C CAPACITOR	18pF 50V J	1	E1,X1,M1,M2
	C434	CK73GBB1A474K	C CAPACITOR	0.47uF 10V K	1	E1,X1,M1,M2
	C435	CK73GBB1H103K	C CAPACITOR	0.01uF 50V K	1	E1,X1,M1,M2
	C436	CK73GBB1H104K	C CAPACITOR	0.1uF 50V K	1	E1,X1,M1,M2
	C437	CK73GBB1H104K	C CAPACITOR	0.1uF 50V K	1	E1,X1,M1,M2
	C438	CK73GBB1H104K	C CAPACITOR	0.1uF 50V K	1	E1,X1,M1,M2
	C439	CK73GBB1H104K	C CAPACITOR	0.1uF 50V K	1	E1,X1,M1,M2
	C440	CK73GBB1A105K	C CAPACITOR	1uF 10V K	1	E1,X1,M1,M2
	C508	CK73GXR0J106M	C CAPACITOR	10uF 6.3V M	1	R1,K2
	C509	CK73GBB0J105K	C CAPACITOR	1uF 6.3V K	1	E1,X1,M1,M2,K1
	C510	CK73GBB0J105K	C CAPACITOR	1uF 6.3V K	1	E1,X1,M1,M2,K1
	C511	CK73HBB1C103K	C CAPACITOR	0.01uF 16V K	1	E1,X1,M1,M2,K1
	C512	CK73GBB1H223K	C CAPACITOR	0.022uF 50V K	1	E1,X1,M1,M2,K1
	C513	CK73GBB1H223K	C CAPACITOR	0.022uF 50V K	1	E1,X1,M1,M2,K1

MODEL	MARK	MODEL	MARK	MODEL	MARK	MODEL	MARK
DNX7160BTS	R1	DNX773S	K2	DNX8160DABS	E1	DNX8160DABS	X1
DNX8160S	M1	DNX8160SM	M2	DNX893S	K1		

Safe	Symbol No.	Parts No.	Parts Name	Description	QTY	Local
	C514	CK73GBB0J225K	C CAPACITOR	2.2uF 6.3V K	1	E1,X1,M1,M2,K1
	C515	CK73GBB1H223K	C CAPACITOR	0.022uF 50V K	1	E1,X1,M1,M2,K1
	C517	CK73GBB1H223K	C CAPACITOR	0.022uF 50V K	1	E1,X1,M1,M2,K1
	C518	CK73GXR1C105K	C CAPACITOR	1uF 16V K	1	E1,X1,M1,M2,K1
	C520	CK73GBB0J225K	C CAPACITOR	2.2uF 6.3V K	1	E1,X1,M1,M2,K1
	C521	CK73GXR0J475K	C CAPACITOR	4.7uF 6.3V K	1	E1,X1,M1,M2,K1
	C539	CK73GBB0J225K	C CAPACITOR	2.2uF 6.3V K	1	E1,X1,M1,M2,K1
	C540	CK73GBB1H223K	C CAPACITOR	0.022uF 50V K	1	E1,X1,M1,M2,K1
	C600	CK73HBB1A104K	C CAPACITOR	0.1uF 10V K	1	
	C601	CK73HBB1A104K	C CAPACITOR	0.1uF 10V K	1	
	C602	CK73HBB1A104K	C CAPACITOR	0.1uF 10V K	1	
	C603	CK73FXR0J226M	C CAPACITOR	22uF 6.3V M	1	
	C604	CK73HBB1H102K	C CAPACITOR	1000pF 50V K	1	
	C605	CK73GBB1H104K	C CAPACITOR	0.1uF 50V K	1	
	C606	CK73HBB1E103K	C CAPACITOR	0.01uF 25V K	1	
	C607	CK73HBB1H102K	C CAPACITOR	1000pF 50V K	1	
	C608	CK73HBB1H102K	C CAPACITOR	1000pF 50V K	1	
	C609	CK73HBB1H102K	C CAPACITOR	1000pF 50V K	1	
	C611	CK73EBB1A106K	C CAPACITOR	10uF 10V K	1	
	C701	CK73HBB1H103K	C CAPACITOR	0.01uF 50V K	1	
	C702	CK73FXR1C106K	C CAPACITOR	10uF 16V K	1	
	R1	RK73HB1J000J	MG RESISTOR	0Ω 1/16W J	1	R1,K2,K1
	R2	RK73HB1J000J	MG RESISTOR	0Ω 1/16W J	1	R1,K2,K1
	R3	RK73HB1J000J	MG RESISTOR	0Ω 1/16W J	1	R1,K2,K1
	R4	RK73HB1J000J	MG RESISTOR	0Ω 1/16W J	1	R1,K2,K1
	R5	RK73HB1J101J	MG RESISTOR	100Ω 1/16W J	1	
	R6	RK73HB1J000J	MG RESISTOR	0Ω 1/16W J	1	R1,K2,K1
	R7	RK73HB1J000J	MG RESISTOR	0Ω 1/16W J	1	R1,K2,K1
	R8	RK73HB1J000J	MG RESISTOR	0Ω 1/16W J	1	R1,K2,K1
	R9	RK73HB1J000J	MG RESISTOR	0Ω 1/16W J	1	R1,K2,K1
	R10	RK73HB1J000J	MG RESISTOR	0Ω 1/16W J	1	R1,K2,K1
	R11	RK73HB1J000J	MG RESISTOR	0Ω 1/16W J	1	
	R12	RK73HB1J000J	MG RESISTOR	0Ω 1/16W J	1	R1,K2,K1
	R13	RK73HB1J000J	MG RESISTOR	0Ω 1/16W J	1	R1,K2,K1
	R14	RK73HB1J000J	MG RESISTOR	0Ω 1/16W J	1	R1,K2,K1
	R15	RK73HB1J000J	MG RESISTOR	0Ω 1/16W J	1	R1,K2,K1
	R16	RK73HB1J000J	MG RESISTOR	0Ω 1/16W J	1	R1,K2,K1
	R17	RK73HB1J000J	MG RESISTOR	0Ω 1/16W J	1	R1,K2,K1
	R18	RK73HB1J000J	MG RESISTOR	0Ω 1/16W J	1	R1,K2,K1
	R19	RK73HB1J000J	MG RESISTOR	0Ω 1/16W J	1	R1,K2,K1
	R20	RK73HB1J000J	MG RESISTOR	0Ω 1/16W J	1	R1,K2,K1
	R21	RK73HB1J000J	MG RESISTOR	0Ω 1/16W J	1	R1,K2,K1
	R22	RK73HB1J000J	MG RESISTOR	0Ω 1/16W J	1	R1,K2,K1
	R23	RK73HB1J000J	MG RESISTOR	0Ω 1/16W J	1	R1,K2,K1
	R24	RK73HB1J000J	MG RESISTOR	0Ω 1/16W J	1	R1,K2,K1
	R25	RK73HB1J000J	MG RESISTOR	0Ω 1/16W J	1	R1,K2,K1
	R26	RK73HB1J000J	MG RESISTOR	0Ω 1/16W J	1	R1,K2,K1
	R27	RK73HB1J000J	MG RESISTOR	0Ω 1/16W J	1	
	R29	RK73HB1J000J	MG RESISTOR	0Ω 1/16W J	1	
	R31	RK73HB1J101J	MG RESISTOR	100Ω 1/16W J	1	E1,X1,M1,M2
	R34	RK73HB1J000J	MG RESISTOR	0Ω 1/16W J	1	R1,K2,K1
	R35	RK73HB1J000J	MG RESISTOR	0Ω 1/16W J	1	R1,K2,K1
	R36	RK73HB1J000J	MG RESISTOR	0Ω 1/16W J	1	R1,K2,K1
	R37	RK73HB1J000J	MG RESISTOR	0Ω 1/16W J	1	R1,K2,K1
	R39	RK73HB1J000J	MG RESISTOR	0Ω 1/16W J	1	R1,K2,K1
	R40	RK73HB1J000J	MG RESISTOR	0Ω 1/16W J	1	R1,K2,K1
	R41	RK73HB1J000J	MG RESISTOR	0Ω 1/16W J	1	R1,K2,K1
	R42	RK73HB1J000J	MG RESISTOR	0Ω 1/16W J	1	R1,K2,K1
	R43	RK73HB1J000J	MG RESISTOR	0Ω 1/16W J	1	R1,K2,K1
	R44	RK73HB1J000J	MG RESISTOR	0Ω 1/16W J	1	R1,K2,K1
	R45	RK73HB1J000J	MG RESISTOR	0Ω 1/16W J	1	R1,K2,K1
	R46	RK73HB1J000J	MG RESISTOR	0Ω 1/16W J	1	R1,K2,K1
	R47	RK73HB1J000J	MG RESISTOR	0Ω 1/16W J	1	R1,K2,K1
	R48	RK73HB1J000J	MG RESISTOR	0Ω 1/16W J	1	R1,K2,K1
	R49	RK73HB1J000J	MG RESISTOR	0Ω 1/16W J	1	R1,K2,K1
	R50	RK73HB1J000J	MG RESISTOR	0Ω 1/16W J	1	R1,K2,K1
	R51	RK73HB1J000J	MG RESISTOR	0Ω 1/16W J	1	R1,K2,K1
	R52	RK73HB1J000J	MG RESISTOR	0Ω 1/16W J	1	R1,K2,K1
	R53	RK73HB1J000J	MG RESISTOR	0Ω 1/16W J	1	R1,K2,K1
	R54	RK73HB1J000J	MG RESISTOR	0Ω 1/16W J	1	R1,K2,K1
	R55	RK73HB1J000J	MG RESISTOR	0Ω 1/16W J	1	R1,K2,K1
	R56	RK73HB1J000J	MG RESISTOR	0Ω 1/16W J	1	R1,K2,K1
	R57	RK73HB1J000J	MG RESISTOR	0Ω 1/16W J	1	R1,K2,K1
	R58	RK73HB1J000J	MG RESISTOR	0Ω 1/16W J	1	R1,K2,K1
	R59	RK73HB1J000J	MG RESISTOR	0Ω 1/16W J	1	R1,K2,K1
	R60	RK73HB1J000J	MG RESISTOR	0Ω 1/16W J	1	E1,X1,M1,M2
	R61	RK73HB1J000J	MG RESISTOR	0Ω 1/16W J	1	E1,X1,M1,M2
	R62	RK73HB1J000J	MG RESISTOR	0Ω 1/16W J	1	E1,X1,M1,M2
	R63	RK73HB1J000J	MG RESISTOR	0Ω 1/16W J	1	E1,X1,M1,M2
	R65	RK73HB1J000J	MG RESISTOR	0Ω 1/16W J	1	E1,X1,M1,M2
	R66	RK73HB1J000J	MG RESISTOR	0Ω 1/16W J	1	E1,X1,M1,M2
	R67	RK73HB1J000J	MG RESISTOR	0Ω 1/16W J	1	E1,X1,M1,M2
	R68	RK73HB1J000J	MG RESISTOR	0Ω 1/16W J	1	E1,X1,M1,M2
	R69	RK73HB1J000J	MG RESISTOR	0Ω 1/16W J	1	E1,X1,M1,M2
	R70	RK73HB1J000J	MG RESISTOR	0Ω 1/16W J	1	E1,X1,M1,M2
	R71	RK73HB1J000J	MG RESISTOR	0Ω 1/16W J	1	E1,X1,M1,M2
	R72	RK73HB1J000J	MG RESISTOR	0Ω 1/16W J	1	E1,X1,M1,M2
	R73	RK73HB1J000J	MG RESISTOR	0Ω 1/16W J	1	E1,X1,M1,M2
	R74	RK73HB1J000J	MG RESISTOR	0Ω 1/16W J	1	E1,X1,M1,M2
	R75	RK73HB1J000J	MG RESISTOR	0Ω 1/16W J	1	E1,X1,M1,M2

MODEL	MARK	MODEL	MARK	MODEL	MARK	MODEL	MARK
DNX7160BTS	R1	DNX773S	K2	DNX8160DABS	E1	DNX8160DABS	X1
DNX8160S	M1	DNX8160SM	M2	DNX893S	K1		

Safe	Symbol No.	Parts No.	Parts Name	Description	QTY	Local
	R76	RK73HB1J000J	MG RESISTOR	0Ω 1/16W J	1	E1,X1,M1,M2
	R77	RK73HB1J000J	MG RESISTOR	0Ω 1/16W J	1	E1,X1,M1,M2
	R78	RK73HB1J000J	MG RESISTOR	0Ω 1/16W J	1	E1,X1,M1,M2
	R79	RK73HB1J000J	MG RESISTOR	0Ω 1/16W J	1	E1,X1,M1,M2
	R80	RK73HB1J000J	MG RESISTOR	0Ω 1/16W J	1	E1,X1,M1,M2
	R81	RK73HB1J000J	MG RESISTOR	0Ω 1/16W J	1	E1,X1,M1,M2
	R82	RK73HB1J000J	MG RESISTOR	0Ω 1/16W J	1	E1,X1,M1,M2
	R83	RK73HB1J000J	MG RESISTOR	0Ω 1/16W J	1	E1,X1,M1,M2
	R84	RK73HB1J000J	MG RESISTOR	0Ω 1/16W J	1	E1,X1,M1,M2
	R85	RK73HB1J000J	MG RESISTOR	0Ω 1/16W J	1	E1,X1,M1,M2
	R100	RK73HB1J101J	MG RESISTOR	100Ω 1/16W J	1	
	R101	RK73HB1J101J	MG RESISTOR	100Ω 1/16W J	1	
	R102	RK73HB1J101J	MG RESISTOR	100Ω 1/16W J	1	
	R103	RK73HB1J101J	MG RESISTOR	100Ω 1/16W J	1	
	R104	RK73HB1J101J	MG RESISTOR	100Ω 1/16W J	1	
	R105	RK73HB1J101J	MG RESISTOR	100Ω 1/16W J	1	
	R106	RK73HB1J101J	MG RESISTOR	100Ω 1/16W J	1	
	R107	RK73HB1J101J	MG RESISTOR	100Ω 1/16W J	1	
	R108	RK73HB1J272J	MG RESISTOR	2.7kΩ 1/16W J	1	
	R109	RK73HB1J101J	MG RESISTOR	100Ω 1/16W J	1	
	R110	RK73HB1J101J	MG RESISTOR	100Ω 1/16W J	1	
	R111	RK73HB1J101J	MG RESISTOR	100Ω 1/16W J	1	
	R112	RK73HB1J123J	MG RESISTOR	12kΩ 1/16W J	1	
	R113	RK73HB1J101J	MG RESISTOR	100Ω 1/16W J	1	
	R114	RK73HB1J101J	MG RESISTOR	100Ω 1/16W J	1	
	R115	RK73HB1J101J	MG RESISTOR	100Ω 1/16W J	1	
	R116	RK73HB1J101J	MG RESISTOR	100Ω 1/16W J	1	
	R117	RK73HB1J101J	MG RESISTOR	100Ω 1/16W J	1	
	R120	RK73HB1J101J	MG RESISTOR	100Ω 1/16W J	1	
	R121	RK73HB1J272J	MG RESISTOR	2.7kΩ 1/16W J	1	
	R122	RK73HB1J101J	MG RESISTOR	100Ω 1/16W J	1	
	R123	RK73HB1J272J	MG RESISTOR	2.7kΩ 1/16W J	1	
	R125	RK73HB1J101J	MG RESISTOR	100Ω 1/16W J	1	
	R126	RK73HB1J103J	MG RESISTOR	10kΩ 1/16W J	1	
	R127	RK73HB1J102J	MG RESISTOR	1kΩ 1/16W J	1	
	R128	RK73HB1J101J	MG RESISTOR	100Ω 1/16W J	1	
	R129	RK73HB1J101J	MG RESISTOR	100Ω 1/16W J	1	
	R130	RK73HB1J101J	MG RESISTOR	100Ω 1/16W J	1	
	R131	RK73HB1J101J	MG RESISTOR	100Ω 1/16W J	1	
	R132	RK73HB1J101J	MG RESISTOR	100Ω 1/16W J	1	
	R133	RK73HB1J101J	MG RESISTOR	100Ω 1/16W J	1	
	R134	RK73HB1J101J	MG RESISTOR	100Ω 1/16W J	1	
	R135	RK73HB1J101J	MG RESISTOR	100Ω 1/16W J	1	
	R136	RK73HB1J103J	MG RESISTOR	10kΩ 1/16W J	1	
	R137	RK73HB1J103J	MG RESISTOR	10kΩ 1/16W J	1	
	R138	RK73HB1J101J	MG RESISTOR	100Ω 1/16W J	1	
	R139	RK73HB1J101J	MG RESISTOR	100Ω 1/16W J	1	
	R140	RK73HB1J101J	MG RESISTOR	100Ω 1/16W J	1	
	R141	RK73HB1J473J	MG RESISTOR	47kΩ 1/16W J	1	
	R142	RK73HB1J473J	MG RESISTOR	47kΩ 1/16W J	1	
	R143	RK73HB1J472J	MG RESISTOR	4.7kΩ 1/16W J	1	
	R144	RK73HB1J472J	MG RESISTOR	4.7kΩ 1/16W J	1	
	R145	RK73HB1J103J	MG RESISTOR	10kΩ 1/16W J	1	
	R146	RK73HB1J102J	MG RESISTOR	1kΩ 1/16W J	1	
	R147	RK73HB1J101J	MG RESISTOR	100Ω 1/16W J	1	
	R148	RK73HB1J101J	MG RESISTOR	100Ω 1/16W J	1	
	R149	RK73HB1J101J	MG RESISTOR	100Ω 1/16W J	1	
	R150	RK73HB1J101J	MG RESISTOR	100Ω 1/16W J	1	
	R151	RK73HB1J331J	MG RESISTOR	330Ω 1/16W J	1	
	R153	RK73HB1J101J	MG RESISTOR	100Ω 1/16W J	1	
	R164	RK73HB1J000J	MG RESISTOR	0Ω 1/16W J	1	
	R165	RK73HB1J000J	MG RESISTOR	0Ω 1/16W J	1	
	R167	RK73HB1J000J	MG RESISTOR	0Ω 1/16W J	1	
	R200	RK73HB1J000J	MG RESISTOR	0Ω 1/16W J	1	
	R201	RK73HB1J102J	MG RESISTOR	1kΩ 1/16W J	1	
	R203	RK73GB2A511J	MG RESISTOR	510Ω 1/10W J	1	
	R204	RK73GB2A511J	MG RESISTOR	510Ω 1/10W J	1	
	R207	RK73HH1J104D	MG RESISTOR	100kΩ 1/16W D	1	
	R208	RK73HH1J563D	MG RESISTOR	56kΩ 1/16W D	1	
	R209	RK73HB1J000J	MG RESISTOR	0Ω 1/16W J	1	
	R210	RK73HH1J152D	MG RESISTOR	1.5kΩ 1/16W D	1	
	R211	RK73HH1J154D	MG RESISTOR	150kΩ 1/16W D	1	
	R212	RK73HH1J103D	MG RESISTOR	10kΩ 1/16W D	1	
	R213	RK73HH1J751D	MG RESISTOR	750Ω 1/16W D	1	
	R214	RK73HB1J101J	MG RESISTOR	100Ω 1/16W J	1	
	R215	RK73HH1J563D	MG RESISTOR	56kΩ 1/16W D	1	
	R216	RK73HB1J4R7J	MG RESISTOR	4.7Ω 1/16W J	1	
	R217	RK73HB1J000J	MG RESISTOR	0Ω 1/16W J	1	
	R218	NR20126-R033X	MG RESISTOR	0.033Ω 1/3W J	1	
	R219	RK73HB1J103J	MG RESISTOR	10kΩ 1/16W J	1	
	R220	RK73GH2A361D	MG RESISTOR	360Ω 1/10W D	1	
	R221	RK73GH2A361D	MG RESISTOR	360Ω 1/10W D	1	
	R222	RK73GH2A361D	MG RESISTOR	360Ω 1/10W D	1	
	R223	RK73HB1J000J	MG RESISTOR	0Ω 1/16W J	1	
	R224	RK73HB1J102J	MG RESISTOR	1kΩ 1/16W J	1	
	R225	RK73HB1J101J	MG RESISTOR	100Ω 1/16W J	1	
	R227	RK73GB2A511J	MG RESISTOR	510Ω 1/10W J	1	
	R228	RK73GB2A511J	MG RESISTOR	510Ω 1/10W J	1	
	R229	RK73GH2A361D	MG RESISTOR	360Ω 1/10W D	1	
	R230	RK73GH2A361D	MG RESISTOR	360Ω 1/10W D	1	
	R231	RK73HB1J473J	MG RESISTOR	47kΩ 1/16W J	1	
	R232	RK73HB1J473J	MG RESISTOR	47kΩ 1/16W J	1	

MODEL	MARK	MODEL	MARK	MODEL	MARK	MODEL	MARK
DNX7160BTS	R1	DNX773S	K2	DNX8160DABS	E1	DNX8160DABS	X1
DNX8160S	M1	DNX8160SM	M2	DNX893S	K1		

Safe	Symbol No.	Parts No.	Parts Name	Description	QTY	Local
	R233	RK73GH2A391D	MG RESISTOR	390Ω 1/10W D	1	
	R234	RK73GH2A361D	MG RESISTOR	360Ω 1/10W D	1	
	R235	RK73HB1J101J	MG RESISTOR	100Ω 1/16W J	1	
	R236	RK73GB2A511J	MG RESISTOR	510Ω 1/10W J	1	
	R237	RK73GH2A361D	MG RESISTOR	360Ω 1/10W D	1	
	R238	RK73HB1J101J	MG RESISTOR	100Ω 1/16W J	1	
	R239	RK73HB1J101J	MG RESISTOR	100Ω 1/16W J	1	
	R240	RK73HB1J101J	MG RESISTOR	100Ω 1/16W J	1	
	R241	RK73GH2A391D	MG RESISTOR	390Ω 1/10W D	1	
	R242	RK73GH2A391D	MG RESISTOR	390Ω 1/10W D	1	
	R243	RK73HB1J101J	MG RESISTOR	100Ω 1/16W J	1	
	R244	RK73GH2A391D	MG RESISTOR	390Ω 1/10W D	1	
	R245	RK73GB2A511J	MG RESISTOR	510Ω 1/10W J	1	
	R246	NR20134-560X	MG RESISTOR	56Ω	1	
	R247	RK73HB1J102J	MG RESISTOR	1kΩ 1/16W J	1	
	R248	RK73GH2A391D	MG RESISTOR	390Ω 1/10W D	1	
	R249	RK73HB1J473J	MG RESISTOR	47kΩ 1/16W J	1	
	R250	RK73HB1J101J	MG RESISTOR	100Ω 1/16W J	1	
	R251	RK73GH2A391D	MG RESISTOR	390Ω 1/10W D	1	
	R252	RK73GH2A391D	MG RESISTOR	390Ω 1/10W D	1	
	R253	RK73GH2A361D	MG RESISTOR	360Ω 1/10W D	1	
	R254	RK73HB1J101J	MG RESISTOR	100Ω 1/16W J	1	
	R255	RK73GH2A391D	MG RESISTOR	390Ω 1/10W D	1	
	R256	RK73HB1J473J	MG RESISTOR	47kΩ 1/16W J	1	
	R257	RK73HB1J103J	MG RESISTOR	10kΩ 1/16W J	1	
	R259	RK73GB2A000J	MG RESISTOR	0Ω 1/10W J	1	R1,K2,X1,M1,M2,K1
	R260	RK73HB1J473J	MG RESISTOR	47kΩ 1/16W J	1	E1
	R261	RK73HB1J302J	MG RESISTOR	3kΩ 1/16W J	1	E1
	R262	RK73GB2A000J	MG RESISTOR	0Ω 1/10W J	1	E1
	R263	RK73HB1J473J	MG RESISTOR	47kΩ 1/16W J	1	E1
	R264	RK73HB1J101J	MG RESISTOR	100Ω 1/16W J	1	E1
	R265	RK73HB1J153J	MG RESISTOR	15kΩ 1/16W J	1	E1
	R266	RK73HB1J620J	MG RESISTOR	62Ω 1/16W J	1	E1
	R267	RK73HB1J302J	MG RESISTOR	3kΩ 1/16W J	1	E1
	R268	RK73HB1J471J	MG RESISTOR	470Ω 1/16W J	1	E1
	R269	RK73HB1J274J	MG RESISTOR	270kΩ 1/16W J	1	E1
	R270	RK73FB2B392J	MG RESISTOR	3.9kΩ 1/8W J	1	E1
	R300	RK73HB1J104J	MG RESISTOR	100kΩ 1/16W J	1	
	R301	RK73HB1J392J	MG RESISTOR	3.9kΩ 1/16W J	1	
	R302	RK73HB1J681J	MG RESISTOR	680Ω 1/16W J	1	
	R303	RK73HB1J393J	MG RESISTOR	39kΩ 1/16W J	1	
	R304	RK73HB1J104J	MG RESISTOR	100kΩ 1/16W J	1	
	R305	RK73HH1J222D	MG RESISTOR	2.2kΩ 1/16W D	1	
	R306	RK73HH1J393D	MG RESISTOR	39kΩ 1/16W D	1	
	R307	RK73HH1J103D	MG RESISTOR	10kΩ 1/16W D	1	
	R308	RK73HH1J103D	MG RESISTOR	10kΩ 1/16W D	1	
	R309	RK73HB1J472J	MG RESISTOR	4.7kΩ 1/16W J	1	
	R310	RK73HB1J104J	MG RESISTOR	100kΩ 1/16W J	1	
	R311	RK73HB1J000J	MG RESISTOR	0Ω 1/16W J	1	
	R312	RK73HH1J102D	MG RESISTOR	1kΩ 1/16W D	1	
	R313	RK73HB1J104J	MG RESISTOR	100kΩ 1/16W J	1	
	R314	RK73HB1J821J	MG RESISTOR	820Ω 1/16W J	1	
	R315	RK73HB1J103J	MG RESISTOR	10kΩ 1/16W J	1	
	R316	RK73HB1J103J	MG RESISTOR	10kΩ 1/16W J	1	
	R317	RK73HB1J751J	MG RESISTOR	750Ω 1/16W J	1	
	R318	RK73HB1J103J	MG RESISTOR	10kΩ 1/16W J	1	
	R319	RK73HB1J473J	MG RESISTOR	47kΩ 1/16W J	1	
	R320	RK73HB1J104J	MG RESISTOR	100kΩ 1/16W J	1	
	R321	RK73HB1J000J	MG RESISTOR	0Ω 1/16W J	1	
	R400	RK73HB1J102J	MG RESISTOR	1kΩ 1/16W J	1	E1,X1,M1,M2
	R401	RK73HB1J472J	MG RESISTOR	4.7kΩ 1/16W J	1	
	R402	RK73HB1J472J	MG RESISTOR	4.7kΩ 1/16W J	1	
	R403	RK73HB1J102J	MG RESISTOR	1kΩ 1/16W J	1	
	R404	RK73HH1J563D	MG RESISTOR	56kΩ 1/16W D	1	
	R405	RK73HH1J124D	MG RESISTOR	120kΩ 1/16W D	1	
	R406	RK73HH1J184D	MG RESISTOR	180kΩ 1/16W D	1	
	R407	RK73HH1J153D	MG RESISTOR	15kΩ 1/16W D	1	
	R408	RK73HH1J103D	MG RESISTOR	10kΩ 1/16W D	1	
	R409	RK73HH1J273D	MG RESISTOR	27kΩ 1/16W D	1	
	R411	RK73HB1J101J	MG RESISTOR	100Ω 1/16W J	1	
	R412	RK73EB2E392J	MG RESISTOR	3.9kΩ 1/4W J	1	
	R413	RK73HB1J000J	MG RESISTOR	0Ω 1/16W J	1	
	R414	RK73HB1J000J	MG RESISTOR	0Ω 1/16W J	1	
	R415	RK73HH1J620D	MG RESISTOR	62Ω 1/16W D	1	
	R416	RK73HH1J161D	MG RESISTOR	160Ω 1/16W D	1	
	R417	RK73HH1J430D	MG RESISTOR	43Ω 1/16W D	1	
	R418	RK73HH1J390D	MG RESISTOR	39Ω 1/16W D	1	
	R419	RK73HH1J101D	MG RESISTOR	100Ω 1/16W D	1	
	R420	RK73HH1J161D	MG RESISTOR	160Ω 1/16W D	1	
	R421	RK73HH1J101D	MG RESISTOR	100Ω 1/16W D	1	
	R422	RK73HH1J390D	MG RESISTOR	39Ω 1/16W D	1	
	R423	RK73HH1J430D	MG RESISTOR	43Ω 1/16W D	1	
	R424	RK73HH1J161D	MG RESISTOR	160Ω 1/16W D	1	
	R425	RK73HH1J820D	MG RESISTOR	82Ω 1/16W D	1	
	R426	RK73EB2E102J	MG RESISTOR	1kΩ 1/4W J	1	
	R427	RK73HB1J472J	MG RESISTOR	4.7kΩ 1/16W J	1	
	R428	RK73HH1J122D	MG RESISTOR	1.2kΩ 1/16W D	1	
	R429	RK73HB1J101J	MG RESISTOR	100Ω 1/16W J	1	E1,X1,M1,M2
	R430	RK73HB1J101J	MG RESISTOR	100Ω 1/16W J	1	E1,X1,M1,M2
	R431	RK73HB1J101J	MG RESISTOR	100Ω 1/16W J	1	E1,X1,M1,M2

MODEL	MARK	MODEL	MARK	MODEL	MARK	MODEL	MARK
DNX7160BTS	R1	DNX773S	K2	DNX8160DABS	E1	DNX8160DABS	X1
DNX8160S	M1	DNX8160SM	M2	DNX893S	K1		

Safe	Symbol No.	Parts No.	Parts Name	Description	QTY	Local
R432		RK73HB1J101J	MG RESISTOR	100Ω 1/16W J	1	E1,X1,M1,M2
R433		RK73HB1J000J	MG RESISTOR	0Ω 1/16W J	1	E1,X1,M1,M2
R436		RK73HB1J000J	MG RESISTOR	0Ω 1/16W J	1	E1,X1,M1,M2
R440		RK73HB1J000J	MG RESISTOR	0Ω 1/16W J	1	E1,X1,M1,M2
R441		RK73HB1J000J	MG RESISTOR	0Ω 1/16W J	1	E1,X1,M1,M2
R443		RK73HB1J100J	MG RESISTOR	10Ω 1/16W J	1	E1,X1,M1,M2
R444		RK73HB1J000J	MG RESISTOR	0Ω 1/16W J	1	E1,X1,M1,M2
R448		RK73HB1J101J	MG RESISTOR	100Ω 1/16W J	1	E1,X1,M1,M2
R449		RK73HB1J101J	MG RESISTOR	100Ω 1/16W J	1	E1,X1,M1,M2
R450		RK73HB1J101J	MG RESISTOR	100Ω 1/16W J	1	E1,X1,M1,M2
R451		RK73HB1J101J	MG RESISTOR	100Ω 1/16W J	1	E1,X1,M1,M2
R452		RK73HB1J101J	MG RESISTOR	100Ω 1/16W J	1	E1,X1,M1,M2
R453		RK73HB1J101J	MG RESISTOR	100Ω 1/16W J	1	E1,X1,M1,M2
R454		RK73HB1J101J	MG RESISTOR	100Ω 1/16W J	1	E1,X1,M1,M2
R455		RK73HB1J101J	MG RESISTOR	100Ω 1/16W J	1	E1,X1,M1,M2
R456		RK73HB1J101J	MG RESISTOR	100Ω 1/16W J	1	E1,X1,M1,M2
R457		RK73HB1J101J	MG RESISTOR	100Ω 1/16W J	1	E1,X1,M1,M2
R458		RK73HB1J101J	MG RESISTOR	100Ω 1/16W J	1	E1,X1,M1,M2
R459		RK73HB1J101J	MG RESISTOR	100Ω 1/16W J	1	E1,X1,M1,M2
R460		RK73HB1J101J	MG RESISTOR	100Ω 1/16W J	1	E1,X1,M1,M2
R461		RK73HB1J101J	MG RESISTOR	100Ω 1/16W J	1	E1,X1,M1,M2
R462		RK73HB1J101J	MG RESISTOR	100Ω 1/16W J	1	E1,X1,M1,M2
R463		RK73HB1J101J	MG RESISTOR	100Ω 1/16W J	1	E1,X1,M1,M2
R464		RK73HB1J101J	MG RESISTOR	100Ω 1/16W J	1	E1,X1,M1,M2
R465		RK73HB1J101J	MG RESISTOR	100Ω 1/16W J	1	E1,X1,M1,M2
R466		RK73HB1J101J	MG RESISTOR	100Ω 1/16W J	1	E1,X1,M1,M2
R467		RK73HB1J101J	MG RESISTOR	100Ω 1/16W J	1	E1,X1,M1,M2
R469		RK73HB1J473J	MG RESISTOR	47kΩ 1/16W J	1	
R470		RK73HB1J473J	MG RESISTOR	47kΩ 1/16W J	1	
R471		RK73HB1J101J	MG RESISTOR	100Ω 1/16W J	1	
R472		RK73HB1J101J	MG RESISTOR	100Ω 1/16W J	1	
R475		RK73HB1J101J	MG RESISTOR	100Ω 1/16W J	1	
R476		RK73HB1J101J	MG RESISTOR	100Ω 1/16W J	1	
R477		RK73HB1J473J	MG RESISTOR	47kΩ 1/16W J	1	
R517		RK73GH2A220D	MG RESISTOR	22Ω 1/10W D	1	R1,K2
R518		RK73GH2A100D	MG RESISTOR	10Ω 1/10W D	1	R1,K2
R519		RK73GH2A220D	MG RESISTOR	22Ω 1/10W D	1	R1,K2
R520		RK73GH2A100D	MG RESISTOR	10Ω 1/10W D	1	R1,K2
R521		RK73HB1J222J	MG RESISTOR	2.2kΩ 1/16W J	1	R1,K2
R522		RK73HB1J222J	MG RESISTOR	2.2kΩ 1/16W J	1	R1,K2
R523		RK73HB1J473J	MG RESISTOR	47kΩ 1/16W J	1	R1,K2
R524		RK73HB1J473J	MG RESISTOR	47kΩ 1/16W J	1	R1,K2
R525		RK73HB1J222J	MG RESISTOR	2.2kΩ 1/16W J	1	R1,K2
R526		RK73HB1J222J	MG RESISTOR	2.2kΩ 1/16W J	1	R1,K2
R527		RK73HB1J473J	MG RESISTOR	47kΩ 1/16W J	1	R1,K2
R528		RK73HB1J473J	MG RESISTOR	47kΩ 1/16W J	1	R1,K2
R529		RK73HB1J103J	MG RESISTOR	10kΩ 1/16W J	1	R1,K2
R530		RK73HB1J102J	MG RESISTOR	1kΩ 1/16W J	1	R1,K2
R531		RK73HH1J621D	MG RESISTOR	620Ω 1/16W D	1	R1,K2
R532		RK73GB2A101J	MG RESISTOR	100Ω 1/10W J	1	R1,K2
R533		RK73GB2A101J	MG RESISTOR	100Ω 1/10W J	1	R1,K2
R534		RK73GB2A101J	MG RESISTOR	100Ω 1/10W J	1	R1,K2
R535		RK73GB2A101J	MG RESISTOR	100Ω 1/10W J	1	R1,K2
R536		RK73GB2A224J	MG RESISTOR	220kΩ 1/10W J	1	R1,K2
R538		RK73HB1J102J	MG RESISTOR	1kΩ 1/16W J	1	E1,X1,M1,M2,K1
R539		RK73HB1J102J	MG RESISTOR	1kΩ 1/16W J	1	E1,X1,M1,M2,K1
R540		RK73HB1J102J	MG RESISTOR	1kΩ 1/16W J	1	E1,X1,M1,M2,K1
R541		RK73HB1J102J	MG RESISTOR	1kΩ 1/16W J	1	E1,X1,M1,M2,K1
R542		RK73HB1J102J	MG RESISTOR	1kΩ 1/16W J	1	E1,X1,M1,M2,K1
R543		RK73HB1J102J	MG RESISTOR	1kΩ 1/16W J	1	E1,X1,M1,M2,K1
R544		RK73HB1J102J	MG RESISTOR	1kΩ 1/16W J	1	E1,X1,M1,M2,K1
R545		RK73HB1J102J	MG RESISTOR	1kΩ 1/16W J	1	E1,X1,M1,M2,K1
R546		RK73HB1J102J	MG RESISTOR	1kΩ 1/16W J	1	E1,X1,M1,M2,K1
R547		RK73HB1J102J	MG RESISTOR	1kΩ 1/16W J	1	E1,X1,M1,M2,K1
R548		RK73HB1J102J	MG RESISTOR	1kΩ 1/16W J	1	E1,X1,M1,M2,K1
R549		RK73HB1J102J	MG RESISTOR	1kΩ 1/16W J	1	E1,X1,M1,M2,K1
R550		RK73HB1J102J	MG RESISTOR	1kΩ 1/16W J	1	E1,X1,M1,M2,K1
R551		RK73HB1J102J	MG RESISTOR	1kΩ 1/16W J	1	E1,X1,M1,M2,K1
R552		RK73HB1J102J	MG RESISTOR	1kΩ 1/16W J	1	E1,X1,M1,M2,K1
R553		RK73HB1J102J	MG RESISTOR	1kΩ 1/16W J	1	E1,X1,M1,M2,K1
R554		RK73HB1J102J	MG RESISTOR	1kΩ 1/16W J	1	E1,X1,M1,M2,K1
R555		RK73HB1J102J	MG RESISTOR	1kΩ 1/16W J	1	E1,X1,M1,M2,K1
R556		RK73HB1J102J	MG RESISTOR	1kΩ 1/16W J	1	E1,X1,M1,M2,K1
R557		RK73HB1J102J	MG RESISTOR	1kΩ 1/16W J	1	E1,X1,M1,M2,K1
R558		RK73HB1J102J	MG RESISTOR	1kΩ 1/16W J	1	E1,X1,M1,M2,K1
R559		RK73HB1J102J	MG RESISTOR	1kΩ 1/16W J	1	E1,X1,M1,M2,K1
R560		RK73HB1J102J	MG RESISTOR	1kΩ 1/16W J	1	E1,X1,M1,M2,K1
R561		RK73HB1J102J	MG RESISTOR	1kΩ 1/16W J	1	E1,X1,M1,M2,K1
R562		RK73HB1J102J	MG RESISTOR	1kΩ 1/16W J	1	E1,X1,M1,M2,K1
R563		RK73HB1J103J	MG RESISTOR	10kΩ 1/16W J	1	E1,X1,M1,M2,K1
R564		RK73HB1J473J	MG RESISTOR	47kΩ 1/16W J	1	E1,X1,M1,M2,K1
R565		RK73HB1J332J	MG RESISTOR	3.3kΩ 1/16W J	1	E1,X1,M1,M2,K1
R566		RK73HB1J332J	MG RESISTOR	3.3kΩ 1/16W J	1	E1,X1,M1,M2,K1
R567		RK73HB1J103J	MG RESISTOR	10kΩ 1/16W J	1	E1,X1,M1,M2,K1
R568		RK73HB1J103J	MG RESISTOR	10kΩ 1/16W J	1	E1,X1,M1,M2,K1
R569		RK73HB1J103J	MG RESISTOR	10kΩ 1/16W J	1	E1,X1,M1,M2,K1
R571		RK73HB1J103J	MG RESISTOR	10kΩ 1/16W J	1	E1,X1,M1,M2,K1
R572		RK73HB1J102J	MG RESISTOR	1kΩ 1/16W J	1	E1,X1,M1,M2,K1
R573		RK73HB1J102J	MG RESISTOR	1kΩ 1/16W J	1	E1,X1,M1,M2,K1
R574		RK73HB1J102J	MG RESISTOR	1kΩ 1/16W J	1	E1,X1,M1,M2,K1

MODEL	MARK	MODEL	MARK	MODEL	MARK	MODEL	MARK
DNX7160BTS	R1	DNX773S	K2	DNX8160DABS	E1	DNX8160DABS	X1
DNX8160S	M1	DNX8160SM	M2	DNX893S	K1		

Safe	Symbol No.	Parts No.	Parts Name	Description	QTY	Local
	R575	RK73HB1J102J	MG RESISTOR	1kΩ 1/16W J	1	E1,X1,M1,M2,K1
	R576	RK73HB1J102J	MG RESISTOR	1kΩ 1/16W J	1	E1,X1,M1,M2,K1
	R577	RK73HB1J102J	MG RESISTOR	1kΩ 1/16W J	1	E1,X1,M1,M2,K1
	R578	RK73HB1J102J	MG RESISTOR	1kΩ 1/16W J	1	E1,X1,M1,M2,K1
	R579	RK73HB1J102J	MG RESISTOR	1kΩ 1/16W J	1	E1,X1,M1,M2,K1
	R580	RK73HB1J000J	MG RESISTOR	0Ω 1/16W J	1	E1,X1,M1,M2,K1
	R581	RK73HB1J000J	MG RESISTOR	0Ω 1/16W J	1	E1,X1,M1,M2,K1
	R582	RK73HB1J000J	MG RESISTOR	0Ω 1/16W J	1	E1,X1,M1,M2,K1
	R583	RK73HB1J000J	MG RESISTOR	0Ω 1/16W J	1	E1,X1,M1,M2,K1
	R584	RK73GB2A000J	MG RESISTOR	0Ω 1/10W J	1	E1,X1,M1,M2,K1
	R585	RK73GB2A000J	MG RESISTOR	0Ω 1/10W J	1	E1,X1,M1,M2,K1
	R586	RK73GB2A000J	MG RESISTOR	0Ω 1/10W J	1	E1,X1,M1,M2,K1
	R587	RK73GB2A000J	MG RESISTOR	0Ω 1/10W J	1	E1,X1,M1,M2,K1
	R588	RK73GB2A000J	MG RESISTOR	0Ω 1/10W J	1	E1,X1,M1,M2,K1
	R589	RK73GB2A000J	MG RESISTOR	0Ω 1/10W J	1	E1,X1,M1,M2,K1
	R590	RK73GB2A000J	MG RESISTOR	0Ω 1/10W J	1	E1,X1,M1,M2,K1
	R591	RK73GB2A000J	MG RESISTOR	0Ω 1/10W J	1	E1,X1,M1,M2,K1
	R592	RK73GB2A000J	MG RESISTOR	0Ω 1/10W J	1	E1,X1,M1,M2,K1
	R593	RK73GB2A000J	MG RESISTOR	0Ω 1/10W J	1	E1,X1,M1,M2,K1
	R594	RK73GB2A000J	MG RESISTOR	0Ω 1/10W J	1	E1,X1,M1,M2,K1
	R595	RK73GB2A000J	MG RESISTOR	0Ω 1/10W J	1	E1,X1,M1,M2,K1
	R596	RK73GB2A000J	MG RESISTOR	0Ω 1/10W J	1	E1,X1,M1,M2,K1
	R597	RK73GB2A000J	MG RESISTOR	0Ω 1/10W J	1	E1,X1,M1,M2,K1
	R598	RK73GB2A000J	MG RESISTOR	0Ω 1/10W J	1	E1,X1,M1,M2,K1
	R600	RK73GB2A100J	MG RESISTOR	10Ω 1/10W J	1	
	R601	RK73GB2A100J	MG RESISTOR	10Ω 1/10W J	1	
	R603	RK73HB1J473J	MG RESISTOR	47kΩ 1/16W J	1	
	R604	RK73HB1J473J	MG RESISTOR	47kΩ 1/16W J	1	
	R605	RK73HB1J473J	MG RESISTOR	47kΩ 1/16W J	1	
	R606	RK73GB2A100J	MG RESISTOR	10Ω 1/10W J	1	
	R607	RK73GB2A100J	MG RESISTOR	10Ω 1/10W J	1	
	R608	RK73GB2A101J	MG RESISTOR	100Ω 1/10W J	1	
	R609	RK73GB2A100J	MG RESISTOR	10Ω 1/10W J	1	
	R610	RK73GB2A100J	MG RESISTOR	10Ω 1/10W J	1	
	R611	RK73GB2A100J	MG RESISTOR	10Ω 1/10W J	1	
	R612	RK73GB2A100J	MG RESISTOR	10Ω 1/10W J	1	
	R613	RK73GB2A221J	MG RESISTOR	220Ω 1/10W J	1	
	R614	RK73HH1J301D	MG RESISTOR	300Ω 1/16W D	1	
	R615	RK73HH1J301D	MG RESISTOR	300Ω 1/16W D	1	
	R616	RK73HH1J301D	MG RESISTOR	300Ω 1/16W D	1	
	R617	RK73HB1J101J	MG RESISTOR	100Ω 1/16W J	1	
	R618	RK73HB1J101J	MG RESISTOR	100Ω 1/16W J	1	
	R619	RK73HB1J101J	MG RESISTOR	100Ω 1/16W J	1	
	R620	RK73GB2A100J	MG RESISTOR	10Ω 1/10W J	1	
	R622	RK73GB2A100J	MG RESISTOR	10Ω 1/10W J	1	
	R623	RK73HB1J000J	MG RESISTOR	0Ω 1/16W J	1	
	R625	RK73GB2A000J	MG RESISTOR	0Ω 1/10W J	1	
	R626	RK73HB1J000J	MG RESISTOR	0Ω 1/16W J	1	E1,X1,M1,M2,K1
	R628	RK73HB1J104J	MG RESISTOR	100kΩ 1/16W J	1	R1,K2
	R629	RK73HB1J104J	MG RESISTOR	100kΩ 1/16W J	1	R1,K2
	R630	RK73HB1J101J	MG RESISTOR	100Ω 1/16W J	1	E1,X1,M1,M2,K1
	R631	RK73HB1J101J	MG RESISTOR	100Ω 1/16W J	1	E1,X1,M1,M2,K1
	R632	RK73HB1J101J	MG RESISTOR	100Ω 1/16W J	1	E1,X1,M1,M2,K1
	R633	RK73HB1J101J	MG RESISTOR	100Ω 1/16W J	1	E1,X1,M1,M2,K1
	R722	RK73GB2A000J	MG RESISTOR	0Ω 1/10W J	1	
	L100	LB73G0BF-002	CHIP FERRITE		1	
	L102	LB73G0BF-003	CHIP FERRITE		1	E1,X1,M1,M2,K1
	L200	LR79Z0FB220M	CHIP INDUCTOR		1	
	L201	NQR0716-001X	FERRITE CORE		1	
	L400	LB73G0BF-002	CHIP FERRITE		1	E1,X1,M1,M2
	L401	NQR0560-001X	EMI FILTER		1	E1,X1,M1,M2
	L404	NQR0717-001X	FERRITE CORE		1	
	L501	LR73Z0AC100K	CHIP INDUCTOR	10uH	1	R1,K2
	L502	LB73G0BF-003	CHIP FERRITE		1	E1,X1,M1,M2,K1
	L600	LB73G0BF-003	CHIP FERRITE		1	
	L602	LB73G0BF-002	CHIP FERRITE		1	
	CN1	EC720AB-0570A	FFC FPC CONNE		1	
	CN100	QGF0545F2-10X	FFC/FPC CONNE	FFC/FPC (1-10)	1	
	CN200	QGA1002F1-02X	W TO B CONNE	W-B (1-2)	1	
	CN400	QGF0534F7-60X	FFC/FPC CONNE	FFC/FPC (1-60)	1	
	CN500	EC720AX-1004A	FFC FPC CONNE		1	R1,K2
	CN501	QGF0528F4-50X	FFC/FPC CONNE	FFC/FPC (1-50)	1	E1,X1,M1,M2,K1
	CN502	QGF0545F2-08X	FFC/FPC CONNE	FFC/FPC (1-8)	1	E1,X1,M1,M2,K1
	CN600	QGF0534F7-22X	FFC/FPC CONNE	FFC/FPC (1-22)	1	
	S100	NSW0355-001X	DETECT SWITCH		1	E1
	VA500	NAF0042-270X	VARIATOR(ZNR)		1	R1,K2
	VA501	NAF0042-270X	VARIATOR(ZNR)		1	R1,K2
	VA502	NAF0042-270X	VARIATOR(ZNR)		1	R1,K2
	VA503	NAF0042-270X	VARIATOR(ZNR)		1	R1,K2
	VA600	NAF0042-270X	VARIATOR(ZNR)		1	
	VA601	NAF0042-270X	VARIATOR(ZNR)		1	
	VA602	NAF0043-8ROX	VARIATOR(ZNR)		1	
	VA603	NAF0043-8ROX	VARIATOR(ZNR)		1	
	VA604	NAF0043-8ROX	VARIATOR(ZNR)		1	
PANEL PWB ASSY (LVA11319-02A) <L31>						
	IC1	PIC95603	IR DETECT UNIT		1	
	D2	SML-D12V8W/NPQX	LED		1	
	D4	NSSM124T-W	LED		1	
	D5	NSSM124T-W	LED		1	
	D6	NSSM124T-W	LED		1	
	D7	NSSM124T-W	LED		1	

MODEL	MARK	MODEL	MARK	MODEL	MARK	MODEL	MARK
DNX7160BTS	R1	DNX773S	K2	DNX8160DABS	E1	DNX8160DABS	X1
DNX8160S	M1	DNX8160SM	M2	DNX893S	K1		

Safe	Symbol No.	Parts No.	Parts Name	Description	QTY	Local
	C2	NCB31AK-105X	C CAPACITOR	1uF 10V K	1	
	C4	NCB31AK-105X	C CAPACITOR	1uF 10V K	1	
	C5	NCB31AK-105X	C CAPACITOR	1uF 10V K	1	
	C6	NCB31AK-105X	C CAPACITOR	1uF 10V K	1	
	C8	NCB31AK-105X	C CAPACITOR	1uF 10V K	1	
	C9	NCB31AK-105X	C CAPACITOR	1uF 10V K	1	
	C10	NCB31AK-105X	C CAPACITOR	1uF 10V K	1	
	R1	RK73GB2A303J	MG RESISTOR	30kΩ 1/10W J	1	
	R2	RK73GB2A103J	MG RESISTOR	10kΩ 1/10W J	1	
	R3	RK73GB2A512J	MG RESISTOR	5.1kΩ 1/10W J	1	
	R4	RK73GB2A302J	MG RESISTOR	3kΩ 1/10W J	1	
	CN1	QG0545F2-17X	FFC/FPC CONNE	FFC/FPC (1-17)	1	
	S2	S7A-0002-00	TACTILE PUSH SW		1	
	S3	S7A-0002-00	TACTILE PUSH SW		1	
	S4	S7A-0002-00	TACTILE PUSH SW		1	
	S5	S7A-0002-00	TACTILE PUSH SW		1	
	S6	S7A-0002-00	TACTILE PUSH SW		1	
	S7	S7A-0002-00	TACTILE PUSH SW		1	
	S8	S7A-0002-00	TACTILE PUSH SW		1	
SIGNAL PROCESS. PWB ASSY (XJ9-0112-70) <XJ9>						
	Q1	LSCR523UBFS8	TRANSISTOR		1	E1
	Q100	LTA043ZEBFS8	DIGI TRANSISTOR		1	E1
	Q101	LSCR523EBFS8	TRANSISTOR		1	E1
	Q102	LTA014YEBFS8	DIGI TRANSISTOR		1	E1
	D1	MC2850-1	DIODE ARRAY		1	E1
	D100	MC2850-1	DIODE ARRAY		1	E1
	D102	SML-D12V8W/NPQX	LED		1	E1
	R1	RK73HB1J102J	MG RESISTOR	1kΩ 1/16W J	1	E1
	R2	RK73HB1J104J	MG RESISTOR	100kΩ 1/16W J	1	E1
	R100	RK73GB2A100J	MG RESISTOR	10Ω 1/10W J	1	E1
	R101	RK73HB1J104J	MG RESISTOR	100kΩ 1/16W J	1	E1
	R102	RK73HB1J473J	MG RESISTOR	47kΩ 1/16W J	1	E1
	CN1	EC720AB-0570A	FFC FPC CONNE		1	E1
	CN100	EC720AB-0570A	FFC FPC CONNE		1	E1
	J1	QGZ2203M1-20X	DETACHABLE CONN	(1-20)	1	E1
	J2	QGZ2203M1-20X	DETACHABLE CONN	(1-20)	1	E1
	J100	QGZ2203L2-20X	DETACHABLE CONN	(1-20)	1	E1
	J101	QGZ2203L2-20X	DETACHABLE CONN	(1-20)	1	E1
	VA2	NAF0008-800X	VARIATOR(ZNR)		1	E1
	VA3	NAF0042-270X	VARIATOR(ZNR)		1	E1
	VA4	NAF0008-800X	VARIATOR(ZNR)		1	E1
	VA5	NAF0008-800X	VARIATOR(ZNR)		1	E1
	VA6	NAF0043-8R0X	VARIATOR(ZNR)		1	E1
	VA7	NAF0043-8R0X	VARIATOR(ZNR)		1	E1
	VA9	NAF0043-8R0X	VARIATOR(ZNR)		1	E1
	VA10	NAF0043-8R0X	VARIATOR(ZNR)		1	E1
	VA11	NAF0043-8R0X	VARIATOR(ZNR)		1	E1
	VA12	NAF0043-8R0X	VARIATOR(ZNR)		1	E1
	VA13	NAF0043-8R0X	VARIATOR(ZNR)		1	E1
	VA14	NAF0043-8R0X	VARIATOR(ZNR)		1	E1
	VA15	NAF0043-8R0X	VARIATOR(ZNR)		1	E1
	VA16	NAF0042-270X	VARIATOR(ZNR)		1	E1
	VA17	NAF0008-800X	VARIATOR(ZNR)		1	E1
	VA18	NAF0008-800X	VARIATOR(ZNR)		1	E1
	VA19	NAF0043-8R0X	VARIATOR(ZNR)		1	E1
	VA20	NAF0043-8R0X	VARIATOR(ZNR)		1	E1
	VA21	NAF0043-8R0X	VARIATOR(ZNR)		1	E1
	VA22	NAF0043-8R0X	VARIATOR(ZNR)		1	E1
	VA23	NAF0043-8R0X	VARIATOR(ZNR)		1	E1
	VA24	NAF0019-001X	VARIATOR(ZNR)		1	E1
	VA25	NAF0019-001X	VARIATOR(ZNR)		1	E1
	VA26	NAF0008-800X	VARIATOR(ZNR)		1	E1
	VA27	NAF0008-800X	VARIATOR(ZNR)		1	E1
	VA100	NAF0008-800X	VARIATOR(ZNR)		1	E1
	VA101	NAF0043-8R0X	VARIATOR(ZNR)		1	E1
	VA102	NAF0042-270X	VARIATOR(ZNR)		1	E1
	VA103	NAF0008-800X	VARIATOR(ZNR)		1	E1
	VA104	NAF0008-800X	VARIATOR(ZNR)		1	E1
	VA105	NAF0043-8R0X	VARIATOR(ZNR)		1	E1
	VA106	NAF0043-8R0X	VARIATOR(ZNR)		1	E1
	VA107	NAF0043-8R0X	VARIATOR(ZNR)		1	E1
	VA108	NAF0043-8R0X	VARIATOR(ZNR)		1	E1
	VA109	NAF0043-8R0X	VARIATOR(ZNR)		1	E1
	VA110	NAF0019-001X	VARIATOR(ZNR)		1	E1
	VA111	NAF0019-001X	VARIATOR(ZNR)		1	E1
	VA112	NAF0042-270X	VARIATOR(ZNR)		1	E1
	VA113	NAF0008-800X	VARIATOR(ZNR)		1	E1
	VA114	NAF0008-800X	VARIATOR(ZNR)		1	E1
	VA115	NAF0043-8R0X	VARIATOR(ZNR)		1	E1
	VA116	NAF0043-8R0X	VARIATOR(ZNR)		1	E1
	VA117	NAF0043-8R0X	VARIATOR(ZNR)		1	E1
	VA118	NAF0043-8R0X	VARIATOR(ZNR)		1	E1
	VA119	NAF0043-8R0X	VARIATOR(ZNR)		1	E1
	VA120	NAF0043-8R0X	VARIATOR(ZNR)		1	E1
	VA121	NAF0043-8R0X	VARIATOR(ZNR)		1	E1
	VA122	NAF0043-8R0X	VARIATOR(ZNR)		1	E1
	VA123	NAF0043-8R0X	VARIATOR(ZNR)		1	E1
	VA124	NAF0008-800X	VARIATOR(ZNR)		1	E1
	VA125	NAF0008-800X	VARIATOR(ZNR)		1	E1

DVD MECHA PWB ASSY (LVA11172-04A) <L17>

MODEL	MARK	MODEL	MARK	MODEL	MARK	MODEL	MARK
DNX7160BTS	R1	DNX773S	K2	DNX8160DABS	E1	DNX8160DABS	X1
DNX8160S	M1	DNX8160SM	M2	DNX893S	K1		

Safe	Symbol No.	Parts No.	Parts Name	Description	QTY	Local
	IC1	AN41250A-X	IC		1	
	IC2	M12L128168A6TG	SV-DRAM IC		1	
	IC3	WZZ-0025-00	PROGRAMMED IC		1	
	IC4	MN2DS0041MD	IC		1	
	IC5	BD12KA5FP-X	IC		1	
	IC6	XC6120N282N-G	IC		1	
	IC8	MM1663DTE	MOS IC		1	
	Q1	2SK3019-X	MOS FET		1	
	Q2	2SK3019-X	MOS FET		1	
	Q3	LSCR523EBFS8	TRANSISTOR		1	
	Q4	2SB1709MG	TRANSISTOR		1	
	Q5	LSCR523EBFS8	TRANSISTOR		1	
	Q6	2SB1709MG	TRANSISTOR		1	
	Q11	LTA014TEB-X	DIGI TRANSISTOR		1	
	Q12	LTA014TEB-X	DIGI TRANSISTOR		1	
	D1	TAN1102W-22-X	IR LED		1	
	D4	TAN1102W-22-X	IR LED		1	
	D5	1SS355VM-X	SI DIODE		1	
	C1	CK73HBB1E103K	C CAPACITOR	0.01uF 25V K	1	
	C2	NCJ20JK-106X-R	C CAPACITOR	10uF 6.3V K	1	
	C6	CK730BW0J226M	C CAPACITOR	22uF 6.3V M	1	
	C7	CK73HBB1E103K	C CAPACITOR	0.01uF 25V K	1	
	C8	CK73HBB1E103K	C CAPACITOR	0.01uF 25V K	1	
	C10	CK730BU0J475K	C CAPACITOR	4.7uF 6.3V K	1	
	C12	NCJ20JK-106X-R	C CAPACITOR	10uF 6.3V K	1	
	C13	NCJ20JK-106X-R	C CAPACITOR	10uF 6.3V K	1	
	C14	CK73HBB1A104K	C CAPACITOR	0.1uF 10V K	1	
	C16	CK73HBB1C333K	C CAPACITOR	0.033uF 16V K	1	
	C17	CK73HBB1A104K	C CAPACITOR	0.1uF 10V K	1	
	C18	CC73HCH1H120J	C CAPACITOR	12pF 50V J	1	
	C19	CK73HBB1A104K	C CAPACITOR	0.1uF 10V K	1	
	C20	CK73HBB1A104K	C CAPACITOR	0.1uF 10V K	1	
	C21	CK73HBB1A104K	C CAPACITOR	0.1uF 10V K	1	
	C22	CK73HBB1A104K	C CAPACITOR	0.1uF 10V K	1	
	C23	CC73HCH1H120J	C CAPACITOR	12pF 50V J	1	
	C24	CK730BS0J105K	C CAPACITOR	1uF 6.3V K	1	
	C25	CK730BS0J105K	C CAPACITOR	1uF 6.3V K	1	
	C26	CC73HCH1H102J	C CAPACITOR	1000pF 50V J	1	
	C28	NCJ20JK-106X-R	C CAPACITOR	10uF 6.3V K	1	
	C29	NCJ20JK-106X-R	C CAPACITOR	10uF 6.3V K	1	
	C31	CK730BU0J475K	C CAPACITOR	4.7uF 6.3V K	1	
	C33	CK73HBB1H682K	C CAPACITOR	6800pF 50V K	1	
	C34	CK73HBB1H682K	C CAPACITOR	6800pF 50V K	1	
	C35	CC73HCH1H681J	C CAPACITOR	680pF 50V J	1	
	C36	CC73HCH1H471J	C CAPACITOR	470pF 50V J	1	
	C37	NCJ20JK-106X-R	C CAPACITOR	10uF 6.3V K	1	
	C38	NCJ20JK-106X-R	C CAPACITOR	10uF 6.3V K	1	
	C45	CK73HBB1A104K	C CAPACITOR	0.1uF 10V K	1	
	C47	CK73HBB1A104K	C CAPACITOR	0.1uF 10V K	1	
	C48	CK73HBB1H222K	C CAPACITOR	2200pF 50V K	1	
	C49	CK73HBB1A104K	C CAPACITOR	0.1uF 10V K	1	
	C50	CK73HBB1H222K	C CAPACITOR	2200pF 50V K	1	
	C51	CK73HBB1H472K	C CAPACITOR	4700pF 50V K	1	
	C52	CK73HBB1E103K	C CAPACITOR	0.01uF 25V K	1	
	C53	CK73HBB1H222K	C CAPACITOR	2200pF 50V K	1	
	C55	CK73HBB1A104K	C CAPACITOR	0.1uF 10V K	1	
	C56	CK73HBB1H222K	C CAPACITOR	2200pF 50V K	1	
	C57	CK73HBB1E103K	C CAPACITOR	0.01uF 25V K	1	
	C58	CK73HBB1E103K	C CAPACITOR	0.01uF 25V K	1	
	C59	CK73HBB1A104K	C CAPACITOR	0.1uF 10V K	1	
	C60	CK73HBB1A104K	C CAPACITOR	0.1uF 10V K	1	
	C61	CK73HBB1A104K	C CAPACITOR	0.1uF 10V K	1	
	C62	CK73HBB1A104K	C CAPACITOR	0.1uF 10V K	1	
	C63	CK73HBB1A104K	C CAPACITOR	0.1uF 10V K	1	
	C64	CK73HBB1A104K	C CAPACITOR	0.1uF 10V K	1	
	C65	CK73HBB1A104K	C CAPACITOR	0.1uF 10V K	1	
	C66	CK73HBB1A104K	C CAPACITOR	0.1uF 10V K	1	
	C67	CK73HBB1A104K	C CAPACITOR	0.1uF 10V K	1	
	C68	CK73HBB1E103K	C CAPACITOR	0.01uF 25V K	1	
	C70	CK730BS0J105K	C CAPACITOR	1uF 6.3V K	1	
	C71	CK73HBB1A104K	C CAPACITOR	0.1uF 10V K	1	
	C74	CK73HBB1A104K	C CAPACITOR	0.1uF 10V K	1	
	C75	CC73HCH1H101J	C CAPACITOR	100pF 50V J	1	
	C76	CK730BW0J226M	C CAPACITOR	22uF 6.3V M	1	
	C77	CK73HBB1A104K	C CAPACITOR	0.1uF 10V K	1	
	C78	CK730BU0J475K	C CAPACITOR	4.7uF 6.3V K	1	
	C79	CK73HBB1H222K	C CAPACITOR	2200pF 50V K	1	
	C80	CK73HBB1H222K	C CAPACITOR	2200pF 50V K	1	
	C81	CK730BS0J105K	C CAPACITOR	1uF 6.3V K	1	
	C82	CK730BS0J105K	C CAPACITOR	1uF 6.3V K	1	
	C83	CK73HXR0J105K	C CAPACITOR	1uF 6.3V K	1	
	C84	NCJ20JK-106X-R	C CAPACITOR	10uF 6.3V K	1	
	C85	CK73HBB1A104K	C CAPACITOR	0.1uF 10V K	1	
	C86	CK73HBB1A104K	C CAPACITOR	0.1uF 10V K	1	
	C87	CK73HBB1A104K	C CAPACITOR	0.1uF 10V K	1	
	C88	CK73HBB1A104K	C CAPACITOR	0.1uF 10V K	1	
	C89	CK73HBB1A104K	C CAPACITOR	0.1uF 10V K	1	
	C90	CK73HBB1A104K	C CAPACITOR	0.1uF 10V K	1	
	C91	CK73HBB1A104K	C CAPACITOR	0.1uF 10V K	1	
	C92	CK73HBB1A104K	C CAPACITOR	0.1uF 10V K	1	
	C93	CK73HBB1A104K	C CAPACITOR	0.1uF 10V K	1	
	C94	CK730BW0J226M	C CAPACITOR	22uF 6.3V M	1	

MODEL	MARK	MODEL	MARK	MODEL	MARK	MODEL	MARK
DNX7160BTS	R1	DNX773S	K2	DNX8160DABS	E1	DNX8160DABS	X1
DNX8160S	M1	DNX8160SM	M2	DNX893S	K1		

Safe	Symbol No.	Parts No.	Parts Name	Description	QTY	Local
	C95	CK730BW0J226M	C CAPACITOR	22uF 6.3V M	1	
	C96	CK730BW0J226M	C CAPACITOR	22uF 6.3V M	1	
	C101	CK730BW0J226M	C CAPACITOR	22uF 6.3V M	1	
	C102	CK730BW0J226M	C CAPACITOR	22uF 6.3V M	1	
	C103	CK73HBB1H222K	C CAPACITOR	2200pF 50V K	1	
	C104	CK73HBB1H222K	C CAPACITOR	2200pF 50V K	1	
	C105	CC73HCH1H150J	C CAPACITOR	15pF 50V J	1	
	C112	CK73HBB1A104K	C CAPACITOR	0.1uF 10V K	1	
	C115	CK730BS0J105K	C CAPACITOR	1uF 6.3V K	1	
	C120	CK73HBB1A104K	C CAPACITOR	0.1uF 10V K	1	
	C121	CK73HBB1A104K	C CAPACITOR	0.1uF 10V K	1	
	R1	RK73GB2A561J	MG RESISTOR	560Ω 1/10W J	1	
	R2	RK73HB1J271J	MG RESISTOR	270Ω 1/16W J	1	
	R3	RK73HB1J301J	MG RESISTOR	300Ω 1/16W J	1	
	R4	RK73GB2A561J	MG RESISTOR	560Ω 1/10W J	1	
	R5	RK73HB1J163J	MG RESISTOR	16kΩ 1/16W J	1	
	R6	RK73HB1J103J	MG RESISTOR	10kΩ 1/16W J	1	
	R7	RK73HB1J103J	MG RESISTOR	10kΩ 1/16W J	1	
	R8	RK73HB1J103J	MG RESISTOR	10kΩ 1/16W J	1	
	R9	RK73HB1J333J	MG RESISTOR	33kΩ 1/16W J	1	
	R10	RK73HB1J103J	MG RESISTOR	10kΩ 1/16W J	1	
	R11	RK73HB1J103J	MG RESISTOR	10kΩ 1/16W J	1	
	R12	RK73HB1J103J	MG RESISTOR	10kΩ 1/16W J	1	
	R15	RK73HB1J102J	MG RESISTOR	1kΩ 1/16W J	1	
	R16	RK73HB1J102J	MG RESISTOR	1kΩ 1/16W J	1	
	R17	RK73HB1J105J	MG RESISTOR	1MΩ 1/16W J	1	
	R18	RK73HH1J303D	MG RESISTOR	30kΩ 1/16W D	1	
	R19	RK73HB1J223J	MG RESISTOR	22kΩ 1/16W J	1	
	R20	RK73HB1J471J	MG RESISTOR	470Ω 1/16W J	1	
	R21	RK73HB1J100J	MG RESISTOR	10Ω 1/16W J	1	
	R22	RK73HB1J560J	MG RESISTOR	56Ω 1/16W J	1	
	R23	RK73HB1J2R2J	MG RESISTOR	2.2Ω 1/16W J	1	
	R25	RK73HB1J471J	MG RESISTOR	470Ω 1/16W J	1	
	R27	RK73HB1J471J	MG RESISTOR	470Ω 1/16W J	1	
	R28	RK73HB1J100J	MG RESISTOR	10Ω 1/16W J	1	
	R29	RK73HB1J560J	MG RESISTOR	56Ω 1/16W J	1	
	R30	RK73HB1J2R2J	MG RESISTOR	2.2Ω 1/16W J	1	
	R31	RK73PB2H270J	MG RESISTOR	27Ω 1/2W J	1	
	R32	RK73HB1J203J	MG RESISTOR	20kΩ 1/16W J	1	
	R33	RK73HB1J333J	MG RESISTOR	33kΩ 1/16W J	1	
	R34	RK73HB1J471J	MG RESISTOR	470Ω 1/16W J	1	
	R35	RK73PB2H270J	MG RESISTOR	27Ω 1/2W J	1	
	R51	RK73HB1J223J	MG RESISTOR	22kΩ 1/16W J	1	
	R52	RK73HB1J223J	MG RESISTOR	22kΩ 1/16W J	1	
	R53	NR20098-R27X	MG RESISTOR	0.27Ω	1	
	R54	RK73HB1J103J	MG RESISTOR	10kΩ 1/16W J	1	
	R55	RK73HB1J101J	MG RESISTOR	100Ω 1/16W J	1	
	R56	RK73HB1J103J	MG RESISTOR	10kΩ 1/16W J	1	
	R57	RK73HB1J103J	MG RESISTOR	10kΩ 1/16W J	1	
	R58	RK73HB1J103J	MG RESISTOR	10kΩ 1/16W J	1	
	R59	RK73HB1J103J	MG RESISTOR	10kΩ 1/16W J	1	
	R60	RK73HB1J821J	MG RESISTOR	820Ω 1/16W J	1	
	R61	RK73HB1J242J	MG RESISTOR	2.4kΩ 1/16W J	1	
	R62	RK73HB1J103J	MG RESISTOR	10kΩ 1/16W J	1	
	R63	RK73HB1J332J	MG RESISTOR	3.3kΩ 1/16W J	1	
	R64	RK73HB1J202J	MG RESISTOR	2kΩ 1/16W J	1	
	R65	RK73HB1J102J	MG RESISTOR	1kΩ 1/16W J	1	
	R66	RK73HB1J102J	MG RESISTOR	1kΩ 1/16W J	1	
	R69	RK73HB1J102J	MG RESISTOR	1kΩ 1/16W J	1	
	R70	RK73HB1J102J	MG RESISTOR	1kΩ 1/16W J	1	
	R73	RK73HB1J472J	MG RESISTOR	4.7kΩ 1/16W J	1	
	R74	RK73HB1J4R7J	MG RESISTOR	4.7Ω 1/16W J	1	
	R75	RK73HB1J000J	MG RESISTOR	0Ω 1/16W J	1	
	R76	RK73HB1J472J	MG RESISTOR	4.7kΩ 1/16W J	1	
	R77	RK73HB1J4R7J	MG RESISTOR	4.7Ω 1/16W J	1	
	R78	RK73HB1J221J	MG RESISTOR	220Ω 1/16W J	1	
	R79	RK73HB1J221J	MG RESISTOR	220Ω 1/16W J	1	
	R80	RK73HB1J103J	MG RESISTOR	10kΩ 1/16W J	1	
	R81	RK73HB1J103J	MG RESISTOR	10kΩ 1/16W J	1	
	R82	RK73HB1J102J	MG RESISTOR	1kΩ 1/16W J	1	
	R86	RK73HB1J102J	MG RESISTOR	1kΩ 1/16W J	1	
	R92	RK73HB1J103J	MG RESISTOR	10kΩ 1/16W J	1	
	R95	RK73HB1J470J	MG RESISTOR	47Ω 1/16W J	1	
	R96	RK73HB1J103J	MG RESISTOR	10kΩ 1/16W J	1	
	R105	RK73HB1J101J	MG RESISTOR	100Ω 1/16W J	1	
	R106	RK73HB1J103J	MG RESISTOR	10kΩ 1/16W J	1	
	R107	RK73HB1J221J	MG RESISTOR	220Ω 1/16W J	1	
	R108	RK73HB1J221J	MG RESISTOR	220Ω 1/16W J	1	
	R113	RK73HB1J470J	MG RESISTOR	47Ω 1/16W J	1	
	R114	NRSA6AD-5901W	MG RESISTOR	5.9kΩ 1/16W D	1	
	R120	RK73HB1J432J	MG RESISTOR	4.3kΩ 1/16W J	1	
	R121	RK73HB1J242J	MG RESISTOR	2.4kΩ 1/16W J	1	
	R122	RK73HB1J162J	MG RESISTOR	1.6kΩ 1/16W J	1	
	R123	RK73HB1J332J	MG RESISTOR	3.3kΩ 1/16W J	1	
	R125	RK73GB2A000J	MG RESISTOR	0Ω 1/10W J	1	
	R128	RK73GB2A000J	MG RESISTOR	0Ω 1/10W J	1	
	CN1	QGF0534F7-26X	FFC/FPC CONNE	FFC/FPC (1-26)	1	
	CN4	QGF0534F7-35X	FFC/FPC CONNE	FFC/FPC (1-35)	1	
	CN5	QGF0534F7-18X	FFC/FPC CONNE	FFC/FPC (1-18)	1	
	CN9	QGA1501F4-03W	W TO B CONNE	W-B (1-3)	1	

MODEL	MARK	MODEL	MARK	MODEL	MARK	MODEL	MARK
DNX7160BTS	R1	DNX773S	K2	DNX8160DABS	E1	DNX8160DABS	X1
DNX8160S	M1	DNX8160SM	M2	DNX893S	K1		

Safe	Symbol No.	Parts No.	Parts Name	Description	QTY	Local
	PH1	PS1192HB-22-X	OPT TRANSMITTER		1	
	PH2	PS1192HB-22-X	OPT TRANSMITTER		1	
	S1	NSW0351-001X	LEVER SWITCH		1	
	TH1	NAD0055-103X	N THERMISTOR	10kΩ	1	
	X1	NAX1135-001X	CRYSTAL		1	