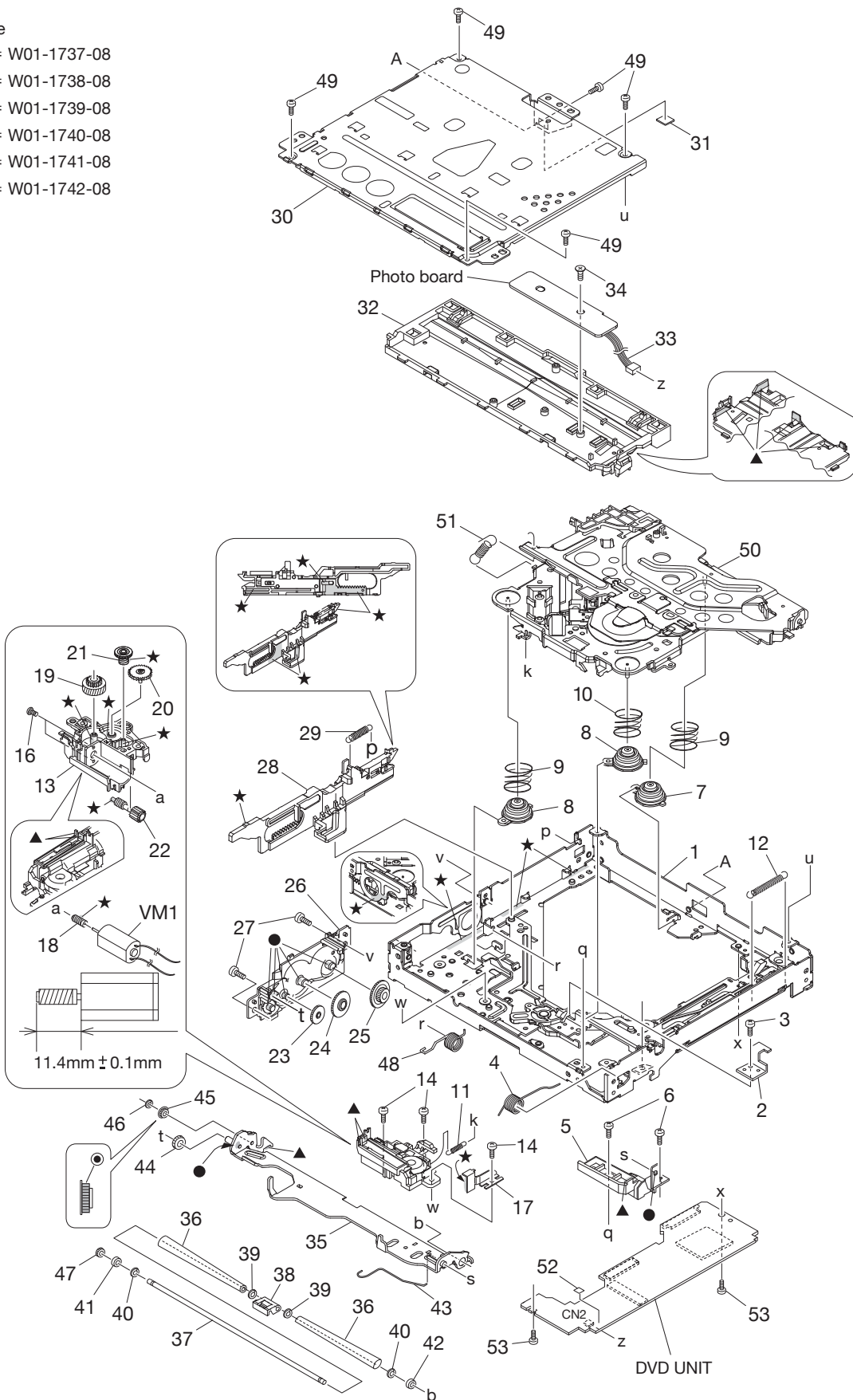


# EXPLODED VIEW (DVD MECHANISM)

Grease

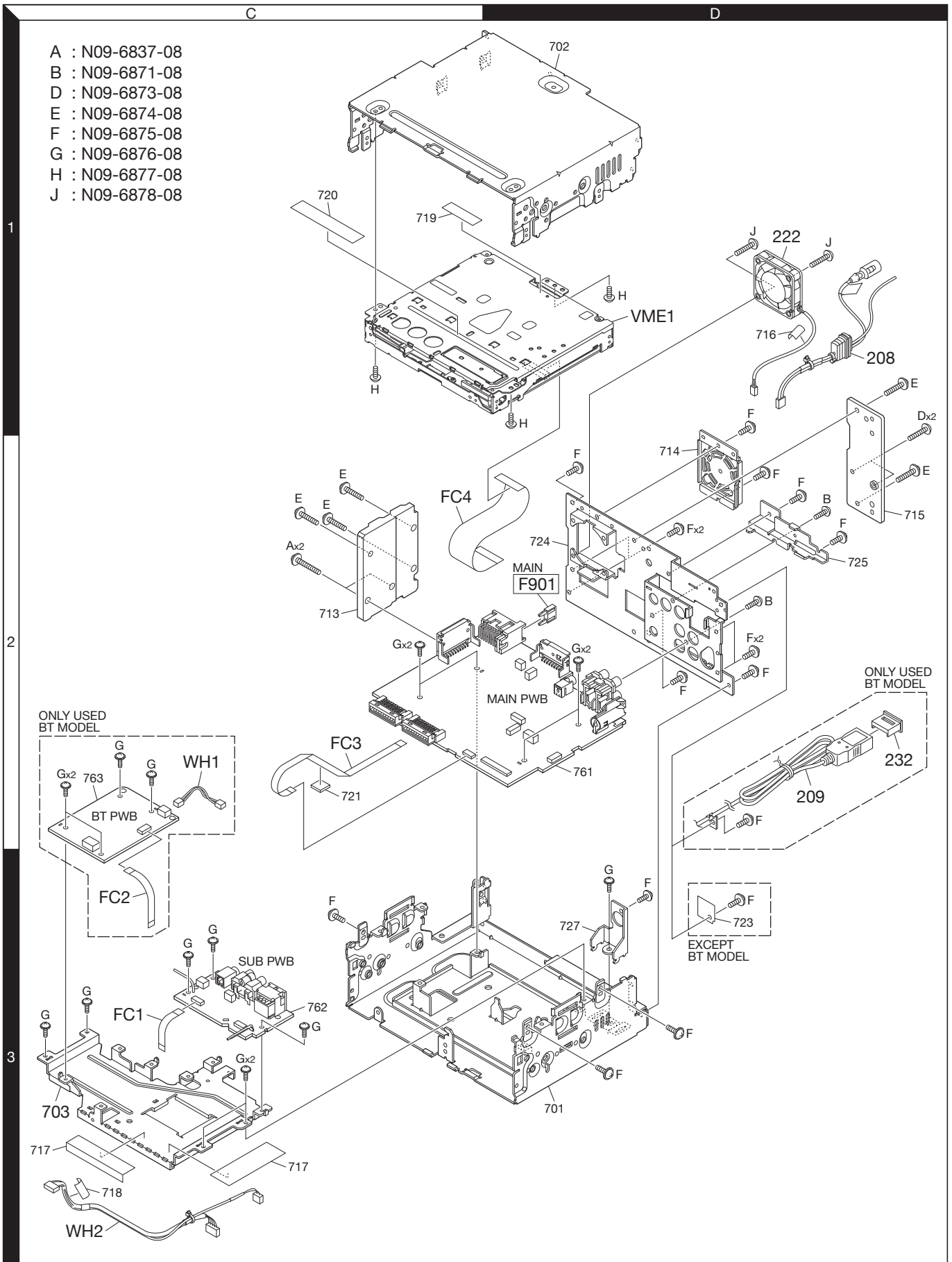
- ★ = W01-1737-08
- = W01-1738-08
- ▲ = W01-1739-08
- = W01-1740-08
- = W01-1741-08
- △ = W01-1742-08



Parts with the exploded numbers larger than 700 are not supplied.

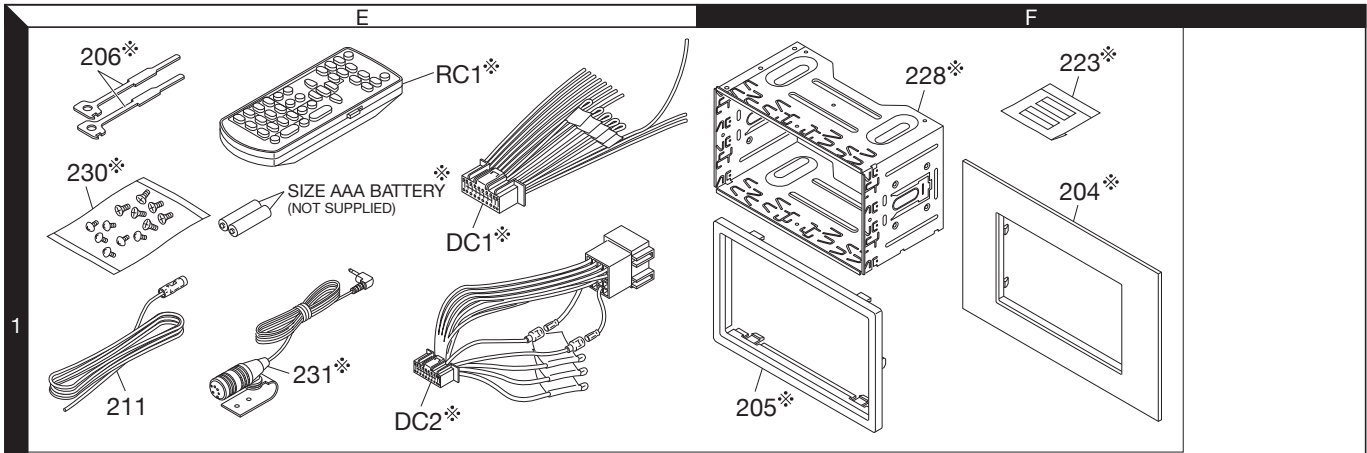
# EXPLODED VIEW (UNIT)

- A : N09-6837-08
- B : N09-6871-08
- D : N09-6873-08
- E : N09-6874-08
- F : N09-6875-08
- G : N09-6876-08
- H : N09-6877-08
- J : N09-6878-08

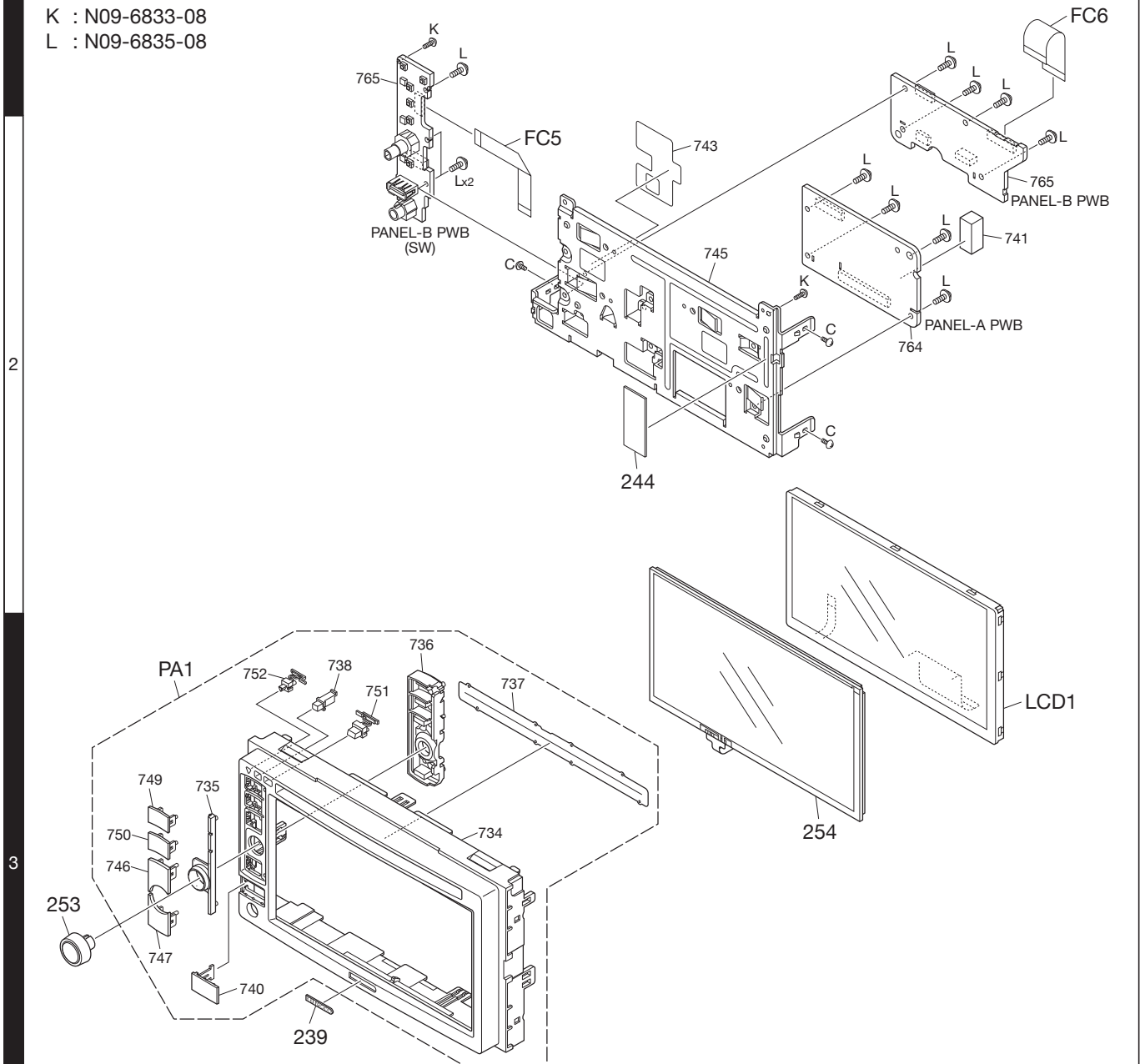


Parts with the exploded numbers larger than 700 are not supplied.

# EXPLODED VIEW (PANEL)



C : N09-6872-08  
 K : N09-6833-08  
 L : N09-6835-08



\*Depends on the models. Refer to the parts list.

Parts with the exploded numbers larger than 700 are not supplied.

# PARTS LIST

\* New parts

Parts without **Parts No.** are not supplied.

Les articles non mentionnés dans le **Parts No.** ne sont pas fournis.

Teile ohne **Parts No.** werden nicht geliefert.

\* If replacing DVD MECHA ASSY (D40-2240-08), it is necessary to update to the region code that supports the set's destination.

Ref. No.	A d d	N e w	Parts No.	Description	Desti- nation
<b>DDX3028/3048/3058/318/4038/4038M DDX4028BT/4038BT/4038BTM/4048BT/4058BT/418</b>					
RC1	1E		A70-2083-15	REMOTE CONTROLLER ASSY	M1M2M3
RC1	1E		A70-2083-15	REMOTE CONTROLLER ASSY	M4R1R2
-		*	B54-4824-08	INSTALLATION MANUA (ENG.FRE.SPA)	KK1
-		*	B54-4824-08	INSTALLATION MANUA (ENG.FRE.SPA)	R1R2
-		*	B54-4825-08	INSTALLATION MANUAL (POR.)	R1R2
-		*	B54-4826-08	INSTALLATION MANUAL (ENG.)	E1E2
-		*	B54-4826-08	INSTALLATION MANUAL (ENG.)	Q1Q2
-		*	B54-4827-08	INSTALLATION MANUA (F,G,D,I,S,P)	E1E2
-		*	B54-4828-08	INSTALLATION MANUAL (RUS.UKR.)	Q1Q2
-		*	B54-4829-08	INSTALLATION MANUAL (ENG.)	M1M2M3
-		*	B54-4829-08	INSTALLATION MANUAL (ENG.)	M4X1X2
-		*	B54-4830-08	INSTALLATION M (T-CHI.S-CHI.KOR)	M1M3
-		*	B54-4830-08	INSTALLATION M (T-CHI.S-CHI.KOR)	C1C2
-		*	B54-4831-08	INSTALLATION MANUAL (ARA.)	M2M4
-		*	B64-4861-08	INSTRUCTION MANUAL (ENG.)	KK1
-		*	B64-4861-08	INSTRUCTION MANUAL (ENG.)	R1R2
-		*	B64-4862-08	INSTRUCTION MANUAL (FRE.)	KK1
-		*	B64-4863-08	INSTRUCTION MANUAL (SPA.)	KK1
-		*	B64-4863-08	INSTRUCTION MANUAL (SPA.)	R1R2
-		*	B64-4864-08	INSTRUCTION MANUAL (POR.)	R1R2
-		*	B64-4865-08	INSTRUCTION MANUAL (ENG.)	E1E2
-		*	B64-4865-08	INSTRUCTION MANUAL (ENG.)	Q1Q2
-		*	B64-4866-08	INSTRUCTION MANUAL (FRE.)	E1E2
-		*	B64-4867-08	INSTRUCTION MANUAL (GER.)	E1E2
-		*	B64-4868-08	INSTRUCTION MANUAL (DUT.)	E1E2
-		*	B64-4869-08	INSTRUCTION MANUAL (ITA.)	E1E2
-		*	B64-4870-08	INSTRUCTION MANUAL (SPA.)	E1E2
-		*	B64-4871-08	INSTRUCTION MANUAL (POR.)	E1E2
-		*	B64-4872-08	INSTRUCTION MANUAL (RUS.)	Q1Q2
-		*	B64-4873-08	INSTRUCTION MANUAL (UKR.)	Q1Q2
-		*	B64-4874-08	INSTRUCTION MANUAL (ENG.)	M1M2M3
-		*	B64-4874-08	INSTRUCTION MANUAL (ENG.)	M4X1X2
-		*	B64-4875-08	INSTRUCTION MANUAL (KOR.)	M1M3
-		*	B64-4876-08	INSTRUCTION MANUAL (S-CHI.)	M1M3
-		*	B64-4876-08	INSTRUCTION MANUAL (S-CHI.)	C1C2
-		*	B64-4877-08	INSTRUCTION MANUAL (T-CHI.)	M1M3
-		*	B64-4878-08	INSTRUCTION MANUAL (ARA.)	M2M4
204	1F		B07-3172-12	ESCUTCHEON (UNIV)	X1X2
204	1F		B07-3172-12	ESCUTCHEON (UNIV)	C1C2
205	1F	*	B07-3263-02	ESCUTCHEON (2DIN)	KK2R1
205	1F	*	B07-3263-02	ESCUTCHEON (2DIN)	R2E1E2
205	1F	*	B07-3263-02	ESCUTCHEON (2DIN)	Q1Q2
205	1F	*	B07-3263-02	ESCUTCHEON (2DIN)	X1X2
206	1E		D10-7012-04	LEVER	KK1R1
206	1E		D10-7012-04	LEVER	R2E1E2
206	1E		D10-7012-04	LEVER	Q1Q2
VME1	1D	*	D40-2240-08	DVD MECHANISM ASSY (FMU-XM2-21D)	
208	1D	*	E30-8230-08	SYSTEM CONTROL CORD	
209	2D	*	E30-8231-08	CORD WITH PLUG (BT)	KR1X1
209	2D	*	E30-8231-08	CORD WITH PLUG (BT)	M1M2C1
209	2D	*	E30-8231-08	CORD WITH PLUG (BT)	E1Q1
211	1E	*	E30-8234-08	CONNECTING CORD ASSY (EXT)	

Ref. No.	A d d	N e w	Parts No.	Description	Desti- nation
DC1	1E	*	E30-8232-08	DC CORD	KK1R1
DC1	1E	*	E30-8232-08	DC CORD	R2X1X2
DC1	1E	*	E30-8232-08	DC CORD	M1M2
DC1	1E	*	E30-8232-08	DC CORD	M3M4
DC2	1E	*	E30-8233-08	DC CORD (ISO)	E1E2
DC2	1E	*	E30-8233-08	DC CORD (ISO)	Q1Q2
FC1	3C	*	E39-1227-08	FLAT CABLE	
FC2	3C	*	E39-1228-08	FLAT CABLE	KR1X1
FC2	3C	*	E39-1228-08	FLAT CABLE	M1M2C1
FC2	3C	*	E39-1228-08	FLAT CABLE	E1Q1
FC3	2C	*	E39-1229-08	FLAT CABLE	
FC4	2C	*	E39-1230-08	FLAT CABLE	
WH1	2C	*	E39-1231-08	WIRING HARNESS (E-SI C WIRE C-C)	KR1X1
WH1	2C	*	E39-1231-08	WIRING HARNESS (E-SI C WIRE C-C)	M1M2C1
WH1	2C	*	E39-1231-08	WIRING HARNESS (E-SI C WIRE C-C)	E1Q1
WH2	3C	*	E39-1232-08	WIRING HARNESS (E-HARNESS ASSY)	
222	1D	*	F09-3088-08	FAN	
-		*	H54-5089-08	ITEM CARTON CASE	K1
-		*	H54-5090-08	ITEM CARTON CASE	R2
-		*	H54-5091-08	ITEM CARTON CASE	E2
-		*	H54-5092-08	ITEM CARTON CASE	Q2
-		*	H54-5093-08	ITEM CARTON CASE	M3
-		*	H54-5094-08	ITEM CARTON CASE	M4
-		*	H54-5095-08	ITEM CARTON CASE	X2
-		*	H54-5096-08	ITEM CARTON CASE	C2
-		*	H54-5097-08	ITEM CARTON CASE	K
-		*	H54-5098-08	ITEM CARTON CASE	R1
-		*	H54-5099-08	ITEM CARTON CASE	E1
-		*	H54-5100-08	ITEM CARTON CASE	Q1
-		*	H54-5101-08	ITEM CARTON CASE	M1
-		*	H54-5102-08	ITEM CARTON CASE	M2
-		*	H54-5103-08	ITEM CARTON CASE	X1
-		*	H54-5104-08	ITEM CARTON CASE	C1
223	1F		H30-0595-04	ADHESIVE DOUBLE-COATED TAPE	X1X2
223	1F		H30-0595-04	ADHESIVE DOUBLE-COATED TAPE	C1C2
228			J22-0657-03	MOUNTING HARDWARE ASSY (SLEEVE)	KK1R1
228			J22-0657-03	MOUNTING HARDWARE ASSY (SLEEVE)	R2E1E2
228			J22-0657-03	MOUNTING HARDWARE ASSY (SLEEVE)	Q1Q2
230	1E		N99-1779-15	SCREW SET	KK1R1
230	1E		N99-1779-15	SCREW SET	R2X1X2
230	1E		N99-1779-15	SCREW SET	M1M2
230	1E		N99-1779-15	SCREW SET	M3M4
A	2C		N09-6837-08	SPECIAL SCREW	
B	2D	*	N09-6871-08	TAPTITE SCREW	
C	2F	*	N09-6872-08	TAPTITE SCREW	
D	2D	*	N09-6873-08	TAPTITE SCREW	
E	2C	*	N09-6874-08	SPECIAL SCREW	
F	2D	*	N09-6875-08	SPECIAL SCREW	
G	3C	*	N09-6876-08	SPECIAL SCREW	
H	1C	*	N09-6877-08	SPECIAL SCREW	
J	1D	*	N09-6878-08	SPECIAL SCREW	
231	1E	*	W01-2009-08	MICROPHONE	KR1X1

**E1:** DDX4028BT **E2:** DDX3028 (Europe) **Q1:** DDX4058BT **Q2:** DDX3058 (Russian)  
**K:** DDX418 **K1:** DDX318 (North America) **R1:** DDX4048BT **R2:** DDX3048 (Latin America)  
**X1:** DDX4038BT **X2:** DDX4038 (Australia) **C1:** DDX4038BT **C2:** DDX4038 (China)  
**M1:** DDX4038BT **M2:** DDX4038BTM **M3:** DDX4038 **M4:** DDX4038M (Other Areas)

△ Indicates safety critical components.

# PARTS LIST

**DDX3028/3048/3058/318/4038/4038M**  
**DDX4028BT/4038BT/4038BTM/4048BT/4058BT/418**

Ref. No.	Ad	New	Parts No.	Description	Destination
231	1E	*	W01-2009-08	MICROPHONE	M1M2C1
231	1E	*	W01-2009-08	MICROPHONE	E1Q1
232	2D	*	W02-5501-08	ELECTRIC CIRCUIT MODULE (BT)	KR1X1
232	2D	*	W02-5501-08	ELECTRIC CIRCUIT MODULE (BT)	M1M2C1
232	2D	*	W02-5501-08	ELECTRIC CIRCUIT MODULE (BT)	E1Q1
<b>DISPLAY ASSY</b>					
PA1	3E	*	A64-5275-08	PANEL ASSY	K1
PA1	3E	*	A64-5276-08	PANEL ASSY	R2
PA1	3E	*	A64-5277-08	PANEL ASSY	E2
PA1	3E	*	A64-5278-08	PANEL ASSY	Q2
PA1	3E	*	A64-5279-08	PANEL ASSY	M3M4
PA1	3E	*	A64-5279-08	PANEL ASSY	X2C2
PA1	3E	*	A64-5280-08	PANEL ASSY	K
PA1	3E	*	A64-5281-08	PANEL ASSY	R1
PA1	3E	*	A64-5282-08	PANEL ASSY	E1
PA1	3E	*	A64-5283-08	PANEL ASSY	Q1
PA1	3E	*	A64-5284-08	PANEL ASSY	M1M2
PA1	3E	*	A64-5284-08	PANEL ASSY	X1C1
239	3E		B43-1524-04	BADGE	
LCD1	3F	*	B38-1237-08	LCD	
FC5	2E	*	E39-1225-08	FLAT CABLE	
FC6	1F	*	E39-1226-08	FLAT CABLE	
244	2F	*	G11-3840-08	CUSHION (SPACER)	
253	3E	*	K28-0464-08	KNOB ASSY (VOL)	
K	1E		N09-6833-08	TAPTITE SCREW	
L	2F		N09-6835-08	SPECIAL SCREW	
254	3F	*	S79-0884-08	SWITCH ASSY (TOUCH PANEL)	
<b>MAIN UNIT</b>					
C1			CK73HB1H471K	CHIP C 470PF	K
C8			CC73HCH1H270J	CHIP C 27PF	J
C9			CK73GB1C224K	CHIP C 0.22UF	K
C10			CK73HB1E103K	CHIP C 0.010UF	K
C12			CK73HB1E103K	CHIP C 0.010UF	K
C13			CK73HB1A104K	CHIP C 0.10UF	K
C14			CK73HB1E103K	CHIP C 0.010UF	K
C16			CK73HB1E103K	CHIP C 0.010UF	K
C17			CD04BN1C101M	ELECTRO 100UF	16WV
C18			CK73HB1A104K	CHIP C 0.10UF	K
C19			CK73GB1C105K	CHIP C 1.0UF	K
C20			CC73HCH1H060D	CHIP C 6.0PF	D
C21			CK73HB1A104K	CHIP C 0.10UF	K
C22			CK73HB1H102K	CHIP C 1000PF	K
C23			CC73HCH1H100D	CHIP C 10PF	D
C24			CK73GB1C224K	CHIP C 0.22UF	K
C25			CK73HB1E103K	CHIP C 0.010UF	K
C26			CK73GB1C105K	CHIP C 1.0UF	K
C27			CC73HCH1H150J	CHIP C 15PF	J
C29			CK73HB1A104K	CHIP C 0.10UF	K
C30			CK73HB1E103K	CHIP C 0.010UF	K
C42			CK73HB1H102K	CHIP C 1000PF	K
C45			CC73HCH1H070D	CHIP C 7.0PF	D

Ref. No.	Ad	New	Parts No.	Description	Destination
C46			CC73HCH1H020C	CHIP C 2.0PF	C
C50			CK73GB1H103K	CHIP C 0.010UF	K
C260			CK73FBOJ106K	CHIP C 10UF	K
C262			CK73GB1C105K	CHIP C 1.0UF	K
C272			CK73GB1C105K	CHIP C 1.0UF	K
C282			CK73GB1C105K	CHIP C 1.0UF	K
C705			CK73HB1A104K	CHIP C 0.10UF	K
C713			CK73HB1H102K	CHIP C 1000PF	K
C714			CC73HCH1H120J	CHIP C 12PF	J
C715			CC73HCH1H120J	CHIP C 12PF	J
C717			CC73HCH1H120J	CHIP C 12PF	J
C718			CC73HCH1H120J	CHIP C 12PF	J
C723			CD04BN1A221M	ELECTRO 220UF	10WV
C801			CD04AS1E100M	ELECTRO 10UF	25WV
C802			CD04AS1E100M	ELECTRO 10UF	25WV
C802			CD04AS1E100M	ELECTRO 10UF	25WV
C802			CD04AS1E100M	ELECTRO 10UF	25WV
C803			CD04BN1A221M	ELECTRO 220UF	10WV
C804			CK73HB1A104K	CHIP C 0.10UF	K
C805			CK73HB1A104K	CHIP C 0.10UF	K
C806			CK73HB1A104K	CHIP C 0.10UF	K
C807			CK73GB1C105K	CHIP C 1.0UF	K
C808			CD04BN1V470M	ELECTRO 47UF	35WV
C809			CD04BN1C221M	ELECTRO 220UF	16WV
C812			CD04BN1H220M	ELECTRO 22UF	50WV
C816			CK73GB1H104K	CHIP C 0.10UF	K
C817			CC73HCH1H040C	CHIP C 4.0PF	C
C818			CC73HCH1H150J	CHIP C 15PF	J
C819			CC73HCH1H050C	CHIP C 5.0PF	C
C820			CK73GB1H103K	CHIP C 0.010UF	K
C821		*	C92-2055-08	ELECTRO 1000UF	6.3WV
C822			CD04AS1E100M	ELECTRO 10UF	25WV
C871			CK73HB1E103K	CHIP C 0.010UF	K
C872			CK73GB1C334K	CHIP C 0.33UF	K
C901		*	C92-2054-08	ELECTRO 2700UF	16WV
C902			CD04AS1H2R2M	ELECTRO 2.2UF	50WV
C904			CD04AS1H2R2M	ELECTRO 2.2UF	50WV
C921			CK73HB1H102K	CHIP C 1000PF	K
C962			CK73HB1E103K	CHIP C 0.010UF	K
C1101			CC73HCH1H101J	CHIP C 100PF	J
C1102			CC73HCH1H101J	CHIP C 100PF	J
C1106			CK73GB1C224K	CHIP C 0.22UF	K
C1111			CC73HCH1H101J	CHIP C 100PF	J
C1112			CC73HCH1H101J	CHIP C 100PF	J
C1116			CK73GB1C224K	CHIP C 0.22UF	K
C1121			CC73GCH1H101J	CHIP C 100PF	J
C1122			CD04AS1H4R7M	ELECTRO 4.7UF	50WV
C1131			CC73GCH1H101J	CHIP C 100PF	J
C1132			CD04AS1H4R7M	ELECTRO 4.7UF	50WV
C1141			CC73GCH1H101J	CHIP C 100PF	J
C1142			CK73FBOJ475K	CHIP C 4.7UF	K
C1161			CK73GB1C105K	CHIP C 1.0UF	K
C1162			CD04AS1H4R7M	ELECTRO 4.7UF	50WV
C1163			CK73GB1C105K	CHIP C 1.0UF	K

E1: DDX4028BT E2: DDX3028 (Europe) Q1: DDX4058BT Q2: DDX3058 (Russian)  
 K: DDX418 K1: DDX318 (North America) R1: DDX4048BT R2: DDX3048 (Latin America)  
 X1: DDX4038BT X2: DDX4038 (Australia) C1: DDX4038BT C2: DDX4038 (China)  
 M1: DDX4038BT M2: DDX4038BTM M3: DDX4038 M4: DDX4038M (Other Areas)

△ Indicates safety critical components.

# PARTS LIST

## MAIN UNIT

Ref. No.	Add	New	Parts No.	Description	Destination	Ref. No.	Add	New	Parts No.	Description	Destination
C1163			CK73GB1C105K	CHIP C 1.0UF K	M1E1	C1393			CD04AS1E100M	ELECTRO 10UF 25WV	
C1163			CK73GB1C105K	CHIP C 1.0UF K	R1Q1C1	C1501			CK73HB1E103K	CHIP C 0.010UF K	
C1165			CK73GB1C105K	CHIP C 1.0UF K		C1911			CK73GB1H104K	CHIP C 0.10UF K	
C1166			CK73GB1C105K	CHIP C 1.0UF K		C1932			CK73GB1H104K	CHIP C 0.10UF K	
C1191			CD04AS1E100M	ELECTRO 10UF 25WV		C1942			CD04AS1E100M	ELECTRO 10UF 25WV	
C1192			CD04AS1E100M	ELECTRO 10UF 25WV		C1952			C90-6892-08	ELECTRO 22UF 16WV	
C1193			CK73HB1H471K	CHIP C 470PF K		C1963			CD04AS1E100M	ELECTRO 10UF 25WV	
C1194			CK73HB1H682K	CHIP C 6800PF K		C6221			CK73HB1E103K	CHIP C 0.010UF K	
C1195			CK73HB1H471K	CHIP C 470PF K		C6222			CK73HB1E103K	CHIP C 0.010UF K	
C1201			CC73HCH1H101J	CHIP C 100PF J		C7088			CK73HB1E103K	CHIP C 0.010UF K	
C1202			CC73HCH1H101J	CHIP C 100PF J		C7089			CK73GB1H103K	CHIP C 0.010UF K	
C1206			CK73GB1C224K	CHIP C 0.22UF K		C7092			CK73GB1H103K	CHIP C 0.010UF K	
C1211			CC73HCH1H101J	CHIP C 100PF J		C7093			CK73GB1H103K	CHIP C 0.010UF K	
C1212			CC73HCH1H101J	CHIP C 100PF J		C7094			CK73HB1E103K	CHIP C 0.010UF K	
C1216			CK73GB1C224K	CHIP C 0.22UF K		C7095			CK73HB1E103K	CHIP C 0.010UF K	
C1221			CC73GCH1H101J	CHIP C 100PF J		C7104			CK73HB1E103K	CHIP C 0.010UF K	
C1222			CD04AS1H4R7M	ELECTRO 4.7UF 50WV		C7106			CK73HB1E103K	CHIP C 0.010UF K	
C1231			CC73GCH1H101J	CHIP C 100PF J		C7107			CK73HB1E103K	CHIP C 0.010UF K	
C1232			CD04AS1H4R7M	ELECTRO 4.7UF 50WV		C7108			CK73HB1E103K	CHIP C 0.010UF K	
C1241			CC73GCH1H101J	CHIP C 100PF J		C7109			CK73HB1E103K	CHIP C 0.010UF K	
C1242			CK73FB0J475K	CHIP C 4.7UF K		C7121			CK73HB1E103K	CHIP C 0.010UF K	
C1261			CK73GB1C105K	CHIP C 1.0UF K		C7301			CK73HB1E103K	CHIP C 0.010UF K	
C1262			CD04AS1H4R7M	ELECTRO 4.7UF 50WV		C7302			CK73GB1C105K	CHIP C 1.0UF K	
C1263			CK73GB1C105K	CHIP C 1.0UF K	KX1M2	C7501			CK73HB1E103K	CHIP C 0.010UF K	
C1263			CK73GB1C105K	CHIP C 1.0UF K	M1E1	C7503			CC73HCH1H331J	CHIP C 330PF J	
C1263			CK73GB1C105K	CHIP C 1.0UF K	R1Q1C1	C7601			CK73HB1E103K	CHIP C 0.010UF K	
C1265			CK73GB1C105K	CHIP C 1.0UF K		C7602			CK73HB1E103K	CHIP C 0.010UF K	
C1266			CK73GB1C105K	CHIP C 1.0UF K		C8000			CK73HB1A104K	CHIP C 0.10UF K	
C1291			CD04AS1E100M	ELECTRO 10UF 25WV		C8001			CC73HCH1H100D	CHIP C 10PF D	
C1292			CD04AS1E100M	ELECTRO 10UF 25WV		C8002			C93-1512-08	CHIP C 0.1UF K	
C1293			CK73HB1H471K	CHIP C 470PF K		C8003			CD04AS1E470M	ELECTRO 47UF 25WV	
C1294			CK73HB1H682K	CHIP C 6800PF K		C8004			CK73EB1E106K	CHIP C 10UF K	
C1295			CK73HB1H471K	CHIP C 470PF K		C8005			C93-1512-08	CHIP C 0.1UF K	
C1301			CK73HB1E103K	CHIP C 0.010UF K		C8006			CC73HCH1H060D	CHIP C 6.0PF D	
C1303			CC73HCH1H820J	CHIP C 82PF J		C8007	*		C93-1598-08	CHIP C 2700PF K	
C1304			CK73GB1C105K	CHIP C 1.0UF K		C8008			CK73FB0J106K	CHIP C 10UF K	
C1306			CD04AS1E100M	ELECTRO 10UF 25WV		C8009	*		C92-2056-08	ELECTRO 470UF 10WV	
C1308			CC73HCH1H820J	CHIP C 82PF J		C8031			CC73HCH1H100D	CHIP C 10PF D	
C1309			CK73GB1H103K	CHIP C 0.010UF K		C8032			C93-1512-08	CHIP C 0.1UF K	
C1312			CK73GB1C105K	CHIP C 1.0UF K		C8033			CD04AS1E470M	ELECTRO 47UF 25WV	
C1313			CK73GB1C105K	CHIP C 1.0UF K		C8034			CK73EB1E106K	CHIP C 10UF K	
C1365			CK73GB1C105K	CHIP C 1.0UF K		C8035			C93-1512-08	CHIP C 0.1UF K	
C1367			CC73HCH1H330J	CHIP C 33PF J		C8036			CC73HCH1H060D	CHIP C 6.0PF D	
C1368			CD04AS1E100M	ELECTRO 10UF 25WV		C8037	*		C93-1598-08	CHIP C 2700PF K	
C1369			CK73GB1C105K	CHIP C 1.0UF K		C8038			CK73FB0J106K	CHIP C 10UF K	
C1371			CD04BN1C101M	ELECTRO 100UF 16WV		C8039	*		C92-2058-08	ELECTRO 330UF 6.3WV	
C1373			CD04AS1H010M	ELECTRO 1UF 50WV		C8101			CK73GB1A334K	CHIP C 0.33UF K	
C1374			CK73GB1A474K	CHIP C 0.47UF K		C8103			CK73HB1H102K	CHIP C 1000PF K	
C1375			CD04AS1H010M	ELECTRO 1UF 50WV		C8106			CK73EB1E106K	CHIP C 10UF K	
C1376			CK73GB1A474K	CHIP C 0.47UF K		C8107			CK73FB0J106K	CHIP C 10UF K	
C1378			CD04AS1E100M	ELECTRO 10UF 25WV		C8108	*		C92-2056-08	ELECTRO 470UF 10WV	
C1379			CC73HCH1H050C	CHIP C 5.0PF C		C8201			CK73GB1A474K	CHIP C 0.47UF K	
C1380			CK73GB1C105K	CHIP C 1.0UF K		C8203			CK73HB1H222K	CHIP C 2200PF K	
C1391			CD04BN1V470M	ELECTRO 47UF 35WV		C8204			CK73GB1H682K	CHIP C 6800PF K	
C1392			CD04AS1E100M	ELECTRO 10UF 25WV		C8205	*		C93-1599-08	CHIP C 390PF K	

E1: DDX4028BT E2: DDX3028 (Europe) Q1: DDX4058BT Q2: DDX3058 (Russian)  
K: DDX418 K1: DDX318 (North America) R1: DDX4048BT R2: DDX3048 (Latin America)  
X1: DDX4038BT X2: DDX4038 (Australia) C1: DDX4038BT C2: DDX4038 (China)  
M1: DDX4038BT M2: DDX4038BTM M3: DDX4038 M4: DDX4038M (Other Areas)

△ Indicates safety critical components.

# PARTS LIST

## MAIN UNIT

Ref. No.	Add	New	Parts No.	Description	Destination
C8206			CK73EB1E106K	CHIP C 10UF K	
C8207			CK73EB1E106K	CHIP C 10UF K	
C8208		*	C92-2057-08	ELECTRO 100UF 50WV	
C8209			CK73EB1E106K	CHIP C 10UF K	
C8210			CK73GB1H104K	CHIP C 0.10UF K	
C8213			CD04BN1H220M	ELECTRO 22UF 50WV	
C8301			CK73HB1A104K	CHIP C 0.10UF K	
C8302		*	C93-1598-08	CHIP C 2700PF K	
C8303			CK73HB1A104K	CHIP C 0.10UF K	
C8304			CK73HB1H102K	CHIP C 1000PF K	
C8306			CK73GB1C105K	CHIP C 1.0UF K	
C8501			CK73FB1E334K	CHIP C 0.33UF K	
C8502			C90-6892-08	ELECTRO 22UF 16WV	
CN103		*	E41-3299-08	FFC/FPC CONNE	KX1M2
CN103		*	E41-3299-08	FFC/FPC CONNE	M1E1
CN103		*	E41-3299-08	FFC/FPC CONNE	R1Q1C1
CN104		*	E41-3299-08	FFC/FPC CONNE	
CN105		*	E41-3319-08	FFC/FPC CONNE	
CN106			E40-6525-05	W TO B CONNE	
CN108		*	E41-3312-08	FFC/FPC CONNE	
CN110			E41-2248-05	W TO B CONNE	
CN111			E41-1685-05	W TO B CONNE	
CN112			E41-1682-05	W TO B CONNE	
CN114			E58-1124-05	DETACHABLE CONN	
CN115			E58-1124-05	DETACHABLE CONN	
CN901			E58-0991-05	CAR CONNECTOR	
J101		*	E04-0346-08	ANT TERMINAL	
J1001		*	E63-0989-08	PIN JACK	
J1003		*	E11-0680-08	3.5 JACK	
F801		*	F53-0469-08	FUSE	
F831		*	F53-0470-08	FUSE	
F901			F52-0023-05	FUSE (MINI BLADE) 10A	
K1			NQR0269-026X	FERRITE BEADS	
L1			QQR1872-001	RF COIL	
L2			QQL244J-561Z	INDUCTOR	
L3			L40-2781-86	P COIL	
L5			QQL244J-561Z	INDUCTOR	
L6			L33-2497-08	INDUCTOR	
L8			L40-4781-86	P COIL	
L9		*	L33-2657-08	P COIL	
L10			L40-4781-86	P COIL	
L11			L40-1891-86	P COIL	
L702		*	L33-2651-08	INDUCTOR	
L801		*	L33-2652-08	INDUCTOR	
L901			L33-2436-05	CHOKE COIL	
L902			L33-2625-08	INDUCTOR	
L961			L33-2548-08	CHOKE COIL	
L8001			L33-2493-05	INDUCTOR	
L8002		*	L33-2652-08	INDUCTOR	
L8031			L33-2493-05	INDUCTOR	
L8101			L33-2493-05	INDUCTOR	
L8201		*	L33-2653-08	INDUCTOR	
X1			QAX0952-001Z	CRYSTAL	

Ref. No.	Add	New	Parts No.	Description	Destination
X701		*	L77-3859-08	CXO	
X702		*	L77-3870-08	CRYSTAL	
R14			RK73HB1J472J	CHIP R 4.7K J 1/16W	
R16			RK73HB1J684J	CHIP R 680K J 1/16W	
R19			RK73HB1J101J	CHIP R 100 J 1/16W	
R21			RK73EB2E220J	CHIP R 22 J 1/4W	
R22			RK73HB1J684J	CHIP R 680K J 1/16W	
R23			RK73HB1J101J	CHIP R 100 J 1/16W	
R262			RK73HH1J181D	CHIP R 180 D 1/16W	
R263			RK73HB1J222J	CHIP R 2.2K J 1/16W	
R272			RK73HH1J181D	CHIP R 180 D 1/16W	
R273			RK73HB1J222J	CHIP R 2.2K J 1/16W	
R282			RK73HH1J181D	CHIP R 180 D 1/16W	
R283			RK73HB1J222J	CHIP R 2.2K J 1/16W	
R700			RK73HB1J221J	CHIP R 220 J 1/16W	
R701			RK73HB1J123J	CHIP R 12K J 1/16W	
R702			RK73HB1J000J	CHIP R 0.0 J 1/16W	KK1
R702			RK73HB1J152J	CHIP R 1.5K J 1/16W	R1R2
R702			RK73HB1J153J	CHIP R 15K J 1/16W	M2M4
R702			RK73HB1J243J	CHIP R 24K J 1/16W	X2X1
R702			RK73HB1J332J	CHIP R 3.3K J 1/16W	E2E1
R702			RK73HB1J433J	CHIP R 43K J 1/16W	C1C2
R702			RK73HB1J912J	CHIP R 9.1K J 1/16W	M1M3
R702		*	R92-5562-08	CHIP R 6.2K J	Q1Q2
R703			RK73HB1J123J	CHIP R 12K J 1/16W	
R704			RK73HB1J243J	CHIP R 24K J 1/16W	
R707			RK73HB1J473J	CHIP R 47K J 1/16W	
R708			RK73HB1J123J	CHIP R 12K J 1/16W	
R709			RK73HB1J223J	CHIP R 22K J 1/16W	
R711			RK73HB1J123J	CHIP R 12K J 1/16W	
R712			RK73GB2A123J	CHIP R 12K J 1/10W	
R734			RK73HB1J472J	CHIP R 4.7K J 1/16W	
R735			RK73HB1J472J	CHIP R 4.7K J 1/16W	
R741			RK73HB1J473J	CHIP R 47K J 1/16W	
R743			RK73HB1J104J	CHIP R 100K J 1/16W	
R748			RK73HB1J104J	CHIP R 100K J 1/16W	
R749			RK73HB1J473J	CHIP R 47K J 1/16W	E1Q2M4
R749			RK73HB1J473J	CHIP R 47K J 1/16W	M3
R749			RK73HB1J473J	CHIP R 47K J 1/16W	R2E2C1
R749			RK73HB1J473J	CHIP R 47K J 1/16W	X1M2M1
R749			RK73HB1J473J	CHIP R 47K J 1/16W	X2R1Q1
R750			RK73HB1J473J	CHIP R 47K J 1/16W	KK1C2
R752			RK73HB1J473J	CHIP R 47K J 1/16W	KX1M2
R752			RK73HB1J473J	CHIP R 47K J 1/16W	M1E1
R752			RK73HB1J473J	CHIP R 47K J 1/16W	R1Q1C1
R753			RK73HB1J473J	CHIP R 47K J 1/16W	K1C2Q2
R753			RK73HB1J473J	CHIP R 47K J 1/16W	M4M3
R753			RK73HB1J473J	CHIP R 47K J 1/16W	X2R2E2
R758			RK73HB1J473J	CHIP R 47K J 1/16W	
R765			RK73HB1J472J	CHIP R 4.7K J 1/16W	
R766			RK73HB1J472J	CHIP R 4.7K J 1/16W	
R774			RK73HB1J473J	CHIP R 47K J 1/16W	
R776			RK73HB1J472J	CHIP R 4.7K J 1/16W	
R777			RK73HB1J272J	CHIP R 2.7K J 1/16W	

E1: DDX4028BT E2: DDX3028 (Europe) Q1: DDX4058BT Q2: DDX3058 (Russian)  
K: DDX418 K1: DDX318 (North America) R1: DDX4048BT R2: DDX3048 (Latin America)  
X1: DDX4038BT X2: DDX4038 (Australia) C1: DDX4038BT C2: DDX4038 (China)  
M1: DDX4038BT M2: DDX4038BTM M3: DDX4038 M4: DDX4038M (Other Areas)

△ Indicates safety critical components.

# PARTS LIST

## MAIN UNIT

Ref. No.	Add	New	Parts No.	Description	Destination	Ref. No.	Add	New	Parts No.	Description	Destination
R780			RK73HB1J103J	CHIP R 10K J 1/16W		R1134			RK73HB1J472J	CHIP R 4.7K J 1/16W	
R781			RK73HB1J103J	CHIP R 10K J 1/16W		R1141			RK73FB2B101J	CHIP R 100 J 1/8W	
R782			RK73HB1J473J	CHIP R 47K J 1/16W		R1142			RK73GB2A473J	CHIP R 47K J 1/10W	
R790			RK73HB1J223J	CHIP R 22K J 1/16W		R1143			RK73HB1J472J	CHIP R 4.7K J 1/16W	
R792			RK73HB1J223J	CHIP R 22K J 1/16W		R1144			RK73HB1J471J	CHIP R 470 J 1/16W	
R794			RK73HB1J103J	CHIP R 10K J 1/16W		R1165			RK73HB1J000J	CHIP R 0.0 J 1/16W	
R796			RK73HB1J473J	CHIP R 47K J 1/16W		R1166			RK73GB2A222J	CHIP R 2.2K J 1/10W	
R797			RK73HB1J473J	CHIP R 47K J 1/16W		R1191			RK73HB1J472J	CHIP R 4.7K J 1/16W	
R798			RK73HB1J473J	CHIP R 47K J 1/16W		R1192			RK73HB1J472J	CHIP R 4.7K J 1/16W	
R799			RK73HB1J474J	CHIP R 470K J 1/16W		R1193			RK73HB1J472J	CHIP R 4.7K J 1/16W	
R801			RK73GH2A103D	CHIP R 10K D 1/10W		R1194			RK73HB1J101J	CHIP R 100 J 1/16W	
R803			RK73GH2A562D	CHIP R 5.6K D 1/10W		R1195			RK73HB1J101J	CHIP R 100 J 1/16W	
R806			RK73HH1J472D	CHIP R 4.7K D 1/16W		R1196			RK73HB1J472J	CHIP R 4.7K J 1/16W	
R807			RK73HH1J273D	CHIP R 27K D 1/16W		R1201			RK73HB1J000J	CHIP R 0.0 J 1/16W	
R808			RK73HB1J331J	CHIP R 330 J 1/16W		R1202			RK73HB1J750J	CHIP R 75 J 1/16W	
R809			RK73HB1J821J	CHIP R 820 J 1/16W		R1203			RK73HB1J510J	CHIP R 51 J 1/16W	
R810			RK73HB1J100J	CHIP R 10 J 1/16W		R1211			RK73HB1J000J	CHIP R 0.0 J 1/16W	
R811			RK73HB1J100J	CHIP R 10 J 1/16W		R1212			RK73HB1J750J	CHIP R 75 J 1/16W	
R812			RK73HB1J100J	CHIP R 10 J 1/16W		R1213			RK73HB1J510J	CHIP R 51 J 1/16W	
R813			RK73HB1J271J	CHIP R 270 J 1/16W		R1221			RK73FB2B101J	CHIP R 100 J 1/8W	
R814			RK73FB2B000J	CHIP R 0.0 J 1/8W	Q1E2E1	R1222			RK73GB2A473J	CHIP R 47K J 1/10W	
R814			RK73FB2B000J	CHIP R 0.0 J 1/8W	Q2	R1223			RK73HB1J471J	CHIP R 470 J 1/16W	
R815			RK73FB2B000J	CHIP R 0.0 J 1/8W	C1KK1	R1224			RK73HB1J472J	CHIP R 4.7K J 1/16W	
R815			RK73FB2B000J	CHIP R 0.0 J 1/8W	C2X1M2	R1231			RK73FB2B101J	CHIP R 100 J 1/8W	
R815			RK73FB2B000J	CHIP R 0.0 J 1/8W	M1M4M3	R1232			RK73GB2A473J	CHIP R 47K J 1/10W	
R815			RK73FB2B000J	CHIP R 0.0 J 1/8W	X2R1R2	R1233			RK73HB1J471J	CHIP R 470 J 1/16W	
R851			RK73HB1J222J	CHIP R 2.2K J 1/16W		R1234			RK73HB1J472J	CHIP R 4.7K J 1/16W	
R852			RK73HH1J181D	CHIP R 180 D 1/16W		R1241			RK73FB2B101J	CHIP R 100 J 1/8W	
R871			RK73HB1J223J	CHIP R 22K J 1/16W		R1242			RK73GB2A473J	CHIP R 47K J 1/10W	
R872			RK73HB1J103J	CHIP R 10K J 1/16W		R1243			RK73HB1J472J	CHIP R 4.7K J 1/16W	
R873			RK73HB1J471J	CHIP R 470 J 1/16W		R1244			RK73HB1J471J	CHIP R 470 J 1/16W	
R874			RK73HB1J472J	CHIP R 4.7K J 1/16W		R1265			RK73HB1J000J	CHIP R 0.0 J 1/16W	
R875			RK73HB1J103J	CHIP R 10K J 1/16W		R1266			RK73GB2A222J	CHIP R 2.2K J 1/10W	
R921			RK73HB1J222J	CHIP R 2.2K J 1/16W		R1291			RK73HB1J472J	CHIP R 4.7K J 1/16W	
R922			RK73HB1J472J	CHIP R 4.7K J 1/16W		R1292			RK73HB1J472J	CHIP R 4.7K J 1/16W	
R961			RK73HB1J152J	CHIP R 1.5K J 1/16W		R1293			RK73HB1J472J	CHIP R 4.7K J 1/16W	
R971			RK73FB2B683J	CHIP R 68K J 1/8W		R1294			RK73HB1J101J	CHIP R 100 J 1/16W	
R972			RK73FB2B473J	CHIP R 47K J 1/8W		R1295			RK73HB1J101J	CHIP R 100 J 1/16W	
R973			RK73HB1J153J	CHIP R 15K J 1/16W		R1296			RK73HB1J472J	CHIP R 4.7K J 1/16W	
R974			RK73HB1J473J	CHIP R 47K J 1/16W		R1301			RK73HB1J333J	CHIP R 33K J 1/16W	
R975			RK73HB1J103J	CHIP R 10K J 1/16W		R1302			RK73HB1J473J	CHIP R 47K J 1/16W	
R976			RK73HB1J822J	CHIP R 8.2K J 1/16W		R1303			RK73HB1J473J	CHIP R 47K J 1/16W	
R1101			RK73HB1J000J	CHIP R 0.0 J 1/16W		R1304			RK73HB1J331J	CHIP R 330 J 1/16W	
R1102			RK73HB1J750J	CHIP R 75 J 1/16W		R1307			RK73HB1J430J	CHIP R 43 J 1/16W	
R1103			RK73HB1J510J	CHIP R 51 J 1/16W		R1308			RK73HB1J123J	CHIP R 12K J 1/16W	
R1111			RK73HB1J000J	CHIP R 0.0 J 1/16W		R1309			RK73HB1J123J	CHIP R 12K J 1/16W	
R1112			RK73HB1J750J	CHIP R 75 J 1/16W		R1322			RK73HB1J000J	CHIP R 0.0 J 1/16W	
R1113			RK73HB1J510J	CHIP R 51 J 1/16W		R1365			RK73HB1J000J	CHIP R 0.0 J 1/16W	
R1121			RK73FB2B101J	CHIP R 100 J 1/8W		R1368			RK73HB1J102J	CHIP R 1.0K J 1/16W	
R1122			RK73GB2A473J	CHIP R 47K J 1/10W		R1369			RK73HB1J103J	CHIP R 10K J 1/16W	
R1123			RK73HB1J471J	CHIP R 470 J 1/16W		R1370			RK73HB1J103J	CHIP R 10K J 1/16W	
R1124			RK73HB1J472J	CHIP R 4.7K J 1/16W		R1371			RK73HB1J221J	CHIP R 220 J 1/16W	
R1131			RK73FB2B101J	CHIP R 100 J 1/8W		R1372			RK73HB1J104J	CHIP R 100K J 1/16W	
R1132			RK73GB2A473J	CHIP R 47K J 1/10W		R1373			RK73HB1J222J	CHIP R 2.2K J 1/16W	
R1133			RK73HB1J471J	CHIP R 470 J 1/16W		R1374			RK73HB1J101J	CHIP R 100 J 1/16W	

E1: DDX4028BT E2: DDX3028 (Europe) Q1: DDX4058BT Q2: DDX3058 (Russian)  
K: DDX418 K1: DDX318 (North America) R1: DDX4048BT R2: DDX3048 (Latin America)  
X1: DDX4038BT X2: DDX4038 (Australia) C1: DDX4038BT C2: DDX4038 (China)  
M1: DDX4038BT M2: DDX4038BTM M3: DDX4038 M4: DDX4038M (Other Areas)

△ Indicates safety critical components.

# PARTS LIST

## MAIN UNIT

Ref. No.	A d d	N e w	Parts No.	Description	Desti- nation
R1375			RK73HB1J472J	CHIP R 4.7K J 1/16W	
R1377			RK73HB1J100J	CHIP R 10 J 1/16W	
R1391			RK73HB1J103J	CHIP R 10K J 1/16W	
R1392			RK73HB1J103J	CHIP R 10K J 1/16W	
R1393			RK73HB1J103J	CHIP R 10K J 1/16W	
R1394			RK73HB1J103J	CHIP R 10K J 1/16W	
R1405			RK73HB1J000J	CHIP R 0.0 J 1/16W	
R1406			RK73HB1J000J	CHIP R 0.0 J 1/16W	
R1501			RK73HB1J473J	CHIP R 47K J 1/16W	
R1912			RK73EB2E332J	CHIP R 3.3K J 1/4W	
R1921			RK73FB2B472J	CHIP R 4.7K J 1/8W	
R1931			RK73HB1J103J	CHIP R 10K J 1/16W	
R1932			RK73HB1J683J	CHIP R 68K J 1/16W	
R1933			RK73HB1J123J	CHIP R 12K J 1/16W	
R1942			RK73HB1J473J	CHIP R 47K J 1/16W	
R1943			RK73HB1J103J	CHIP R 10K J 1/16W	
R1952			RK73HB1J472J	CHIP R 4.7K J 1/16W	
R1953			RK73HB1J273J	CHIP R 27K J 1/16W	
R1961			RK73HB1J103J	CHIP R 10K J 1/16W	
R1971			NRS181J-101X	CHIP R 100 J	
R6221			RK73HB1J333J	CHIP R 33K J 1/16W	
R6222			RK73HB1J333J	CHIP R 33K J 1/16W	
R7008			RK73HB1J102J	CHIP R 1.0K J 1/16W	
R7014			RK73HB1J154J	CHIP R 150K J 1/16W	
R7017			RK73HB1J101J	CHIP R 100 J 1/16W	
R7024			RK73HB1J473J	CHIP R 47K J 1/16W	
R7025			RK73HB1J101J	CHIP R 100 J 1/16W	
R7038			RK73HB1J101J	CHIP R 100 J 1/16W	
R7040			RK73HB1J473J	CHIP R 47K J 1/16W	
R7046			RK73HB1J222J	CHIP R 2.2K J 1/16W	
R7048			RK73HB1J472J	CHIP R 4.7K J 1/16W	
R7063			RK73HB1J102J	CHIP R 1.0K J 1/16W	
R7064			RK73HB1J102J	CHIP R 1.0K J 1/16W	
R7065			RK73HB1J221J	CHIP R 220 J 1/16W	
R7066			RK73HB1J221J	CHIP R 220 J 1/16W	
R7072			RK73GB2A102J	CHIP R 1.0K J 1/10W	
R7073			RK73GB2A102J	CHIP R 1.0K J 1/10W	
R7088			RK73HB1J102J	CHIP R 1.0K J 1/16W	
R7089			RK73HB1J102J	CHIP R 1.0K J 1/16W	
R7092			RK73HB1J102J	CHIP R 1.0K J 1/16W	
R7093			RK73HB1J102J	CHIP R 1.0K J 1/16W	
R7094			RK73HB1J102J	CHIP R 1.0K J 1/16W	
R7095			RK73HB1J102J	CHIP R 1.0K J 1/16W	
R7103			RK73HB1J101J	CHIP R 100 J 1/16W	
R7115			RK73HB1J222J	CHIP R 2.2K J 1/16W	
R7116			RK73HB1J222J	CHIP R 2.2K J 1/16W	
R7117			RK73HB1J000J	CHIP R 0.0 J 1/16W	
R7118			RK73HB1J472J	CHIP R 4.7K J 1/16W	
R7119			RK73HB1J102J	CHIP R 1.0K J 1/16W	
R7121			RK73HB1J102J	CHIP R 1.0K J 1/16W	
R7122			RK73HB1J102J	CHIP R 1.0K J 1/16W	
R7130			RK73HB1J101J	CHIP R 100 J 1/16W	
R7301			RK73HB1J223J	CHIP R 22K J 1/16W	
R7302			RK73HB1J473J	CHIP R 47K J 1/16W	
R7303			RK73HB1J223J	CHIP R 22K J 1/16W	

Ref. No.	A d d	N e w	Parts No.	Description	Desti- nation
R7304			RK73HB1J103J	CHIP R 10K J 1/16W	
R7502			RK73HB1J101J	CHIP R 100 J 1/16W	
R7505			RK73HB1J912J	CHIP R 9.1K J 1/16W	
R7506			RK73HB1J223J	CHIP R 22K J 1/16W	
R7601			RK73HB1J104J	CHIP R 100K J 1/16W	
R7602			RK73HB1J104J	CHIP R 100K J 1/16W	
R7603			RK73HB1J104J	CHIP R 100K J 1/16W	
R7604			RK73HB1J104J	CHIP R 100K J 1/16W	
R7777			RK73HB1J103J	CHIP R 10K J 1/16W	
R8000			RK73HB1J103J	CHIP R 10K J 1/16W	
R8001			RK73HB1J394J	CHIP R 390K J 1/16W	
R8002			RK73HB1J392J	CHIP R 3.9K J 1/16W	
R8004			RK73HB1J103J	CHIP R 10K J 1/16W	
R8006			RK73HB1J223J	CHIP R 22K J 1/16W	
R8007			RK73HH1J823D	CHIP R 82K D 1/16W	
R8008			RK73HH1J153D	CHIP R 15K D 1/16W	
R8031			RK73HB1J394J	CHIP R 390K J 1/16W	
R8032			RK73HB1J392J	CHIP R 3.9K J 1/16W	
R8033			RK73HB1J103J	CHIP R 10K J 1/16W	
R8034			RK73HB1J103J	CHIP R 10K J 1/16W	
R8035			RK73HB1J682J	CHIP R 6.8K J 1/16W	
R8036			RK73HB1J223J	CHIP R 22K J 1/16W	
R8037			RK73HH1J823D	CHIP R 82K D 1/16W	
R8038			RK73HH1J153D	CHIP R 15K D 1/16W	
R8039			RK73HB1J820J	CHIP R 82 J 1/16W	
R8041			RK73HB1J223J	CHIP R 22K J 1/16W	
R8042			RK73HB1J103J	CHIP R 10K J 1/16W	
R8043			RK73HB1J102J	CHIP R 1.0K J 1/16W	
R8101			RK73HB1J683J	CHIP R 68K J 1/16W	
R8102			RK73HB1J823J	CHIP R 82K J 1/16W	
R8103			RK73HH1J333D	CHIP R 33K D 1/16W	
R8104			RK73HH1J333D	CHIP R 33K D 1/16W	
R8105			RK73HB1J121J	CHIP R 120 J 1/16W	
R8106			RK73HB1J222J	CHIP R 2.2K J 1/16W	
R8107			RK73HB1J222J	CHIP R 2.2K J 1/16W	
R8109			RK73HH1J471D	CHIP R 470 D 1/16W	
R8110			RK73HH1J122D	CHIP R 1.2K D 1/16W	
R8111			RK73HH1J102D	CHIP R 1.0K D 1/16W	
R8115			RK73HB1J5R6J	CHIP R 5.6 J 1/16W	
R8201			RK73HB1J683J	CHIP R 68K J 1/16W	
R8202			RK73HB1J683J	CHIP R 68K J 1/16W	
R8203			RK73HH1J333D	CHIP R 33K D 1/16W	
R8204			RK73HH1J333D	CHIP R 33K D 1/16W	
R8205			RK73HB1J562J	CHIP R 5.6K J 1/16W	
R8206			RK73HB1J821J	CHIP R 820 J 1/16W	
R8207			RK73HB1J471J	CHIP R 470 J 1/16W	
R8208			RK73HB1J103J	CHIP R 10K J 1/16W	
R8209			RK73HH1J472D	CHIP R 4.7K D 1/16W	
R8210			RK73HH1J123D	CHIP R 12K D 1/16W	
R8211			RK73HH1J102D	CHIP R 1.0K D 1/16W	
R8212			RK73HB1J333J	CHIP R 33K J 1/16W	
R8213			RK73HB1J123J	CHIP R 12K J 1/16W	
R8214			RK73HB1J150J	CHIP R 15 J 1/16W	
R8215			RK73HB1J100J	CHIP R 10 J 1/16W	
R8216			RK73FB2B100J	CHIP R 10 J 1/8W	

E1: DDX4028BT E2: DDX3028 (Europe) Q1: DDX4058BT Q2: DDX3058 (Russian)  
K: DDX418 K1: DDX318 (North America) R1: DDX4048BT R2: DDX3048 (Latin America)  
X1: DDX4038BT X2: DDX4038 (Australia) C1: DDX4038BT C2: DDX4038 (China)  
M1: DDX4038BT M2: DDX4038BTM M3: DDX4038 M4: DDX4038M (Other Areas)

△ Indicates safety critical components.

# PARTS LIST

\* If replacing the MAIN unit IC11, IC721, the tuner needs to be readjusted. Refer to the test mode (SMETER LEVEL CALIBRATION).

## MAIN UNIT

Ref. No.	Add	New	Parts No.	Description	Destination	Ref. No.	Add	New	Parts No.	Description	Destination
R8217			RK73HB1J000J	CHIP R 0.0 J 1/16W		D8204			RB521S-30	SB DIODE	
R8301			RK73HB1J333J	CHIP R 33K J 1/16W		D8205			RB521S-30	SB DIODE	
R8302			RK73HB1J473J	CHIP R 47K J 1/16W		D8301			HSU119TRF-E	SI DIODE	
R8303			RK73HB1J122J	CHIP R 1.2K J 1/16W		D8501			HSU119TRF-E	SI DIODE	
R8309			RK73HB1J000J	CHIP R 0.0 J 1/16W		IC11			TEF6614TV1S3-X	IC	
R9993			RK73HB1J000J	CHIP R 0.0 J 1/16W		IC101			TB2926CHQ	IC	
R9998			RK73GB2A000J	CHIP R 0.0 J 1/10W		IC141			E-TDA7415CB	IC	
R9999			RK73GB2A000J	CHIP R 0.0 J 1/10W		IC151			TC7SET02FU-F	IC (DIGITAL)	
RA722			RK74HB1J102J	CHIP-COM 1.0K J 1/16W	KX1M2	IC191			NJM4565E-ZB	IC	
RA722			RK74HB1J102J	CHIP-COM 1.0K J 1/16W	M1E1	IC261	*		NJM2584AM-X	IC	
RA722			RK74HB1J102J	CHIP-COM 1.0K J 1/16W	R1Q1C1	IC701	*		JVM496A	IC (MCU)	
RA723			RK74HB1J101J	CHIP-COM 100 J 1/16W		IC721	*		R1EX24016ASAAX	IC	
RA724			RK74HB1J102J	CHIP-COM 1.0K J 1/16W		IC731	*		XC6120N242NG-X	IC	
RA725			RK74HB1J102J	CHIP-COM 1.0K J 1/16W		IC751			TC7SET08FU-F	IC (IC) ITAL	
RA729			RK74HB1J101J	CHIP-COM 100 J 1/16W		IC761			TC7SET08FU-F	IC (IC) ITAL	
RA731			RK74HB1J102J	CHIP-COM 1.0K J 1/16W		IC762			TC7SH08FU-F	IC (2ch AND GATE)	
D821			CRS03	SB DIODE		IC801			LV5680P	IC	
D871	*		RKZ18B2KG-X	Z DIODE		IC802			TPS54140DGQ-X	IC	
D901	*		1N5402-BPC04	SI DIODE		IC803			BA9743AFV-X	IC	
D902			GS1J-LTP-X	SI DIODE		IC821			XC6213B332N-G	IC	
D971	*		RKZ6.8B2KG-X	Z DIODE		IC831			TPS54140DGQ-X	IC	
D972	*		RKZ6.8B2KG-X	Z DIODE		IC851	*		BAJ5CC0FP-X	IC	
D1121	*		MC2836-T112	SI DIODE		Q717			RT1P436U-T111	DIGI TRANSISTOR	
D1221	*		MC2836-T112	SI DIODE		Q731			RT1P141U-X	DIGI TRANSISTOR	
D1303			HSU119TRF-E	SI DIODE		Q791			2SA812A/5-6-/X	TRANSISTOR	
D1304			HSU119TRF-E	SI DIODE		Q801			RT1N441U-X	DIGI TRANSISTOR	
D1341	*		MC2836-T112	SI DIODE		Q802			RT1P441U-T111	DIGI TRANSISTOR	
D1371			CRS03	SB DIODE		Q803			RT1N141U-X	DIGI TRANSISTOR	
D1372			RKZ5.6KG(B2)	Z DIODE		Q804			RT1P141U-X	DIGI TRANSISTOR	
D1401	*		MC2836-T112	SI DIODE		Q805			RT1N141U-X	DIGI TRANSISTOR	
D1402	*		MC2836-T112	SI DIODE		Q821			RT1P141U-X	DIGI TRANSISTOR	
D1403	*		MC2836-T112	SI DIODE		Q822			RT1N441U-X	DIGI TRANSISTOR	
D1501	*		MC2836-T112	SI DIODE		Q871	*		MTM98140-X	MOS FET	
D1503	*		MC2836-T112	SI DIODE		Q872			RT1P141U-X	DIGI TRANSISTOR	
D1504	*		MC2836-T112	SI DIODE		Q873			RT1N441U-X	DIGI TRANSISTOR	
D1911			CRS03	SB DIODE		Q874			RT1N141U-X	DIGI TRANSISTOR	
D1912			CRS03	SB DIODE		Q875			RT1P141U-X	DIGI TRANSISTOR	
D1921			MBRX130-TP-X	SB DIODE		Q921	*		ISA1602AM1/EF/X	TRANSISTOR	
D1922			MBRX130-TP-X	SB DIODE		Q922			RT1N144U-T111	DIGI TRANSISTOR	
D1931	*		MC2836-T112	SI DIODE		Q971	*		2SC4081UB/QR/X	TRANSISTOR	
D1941			HSU119TRF-E	SI DIODE		Q972	*		2SC4081UB/QR/X	TRANSISTOR	
D1961	*		RKZ18B2KG-X	Z DIODE		Q1121			IMX9	PAIR TRANSISTOR	
D1971			RKZ6.2KG(B2)	Z DIODE		Q1221			IMX9	PAIR TRANSISTOR	
D7301			HSU119TRF-E	SI DIODE		Q1301			RT1N141U-X	DIGI TRANSISTOR	
D8001			RB051L-40-X	SB DIODE		Q1302			RT1P141U-X	DIGI TRANSISTOR	
D8002			HSU119TRF-E	SI DIODE		Q1341			IMX9	PAIR TRANSISTOR	
D8011			CRS03	SB DIODE		Q1501			RT1P141U-X	DIGI TRANSISTOR	
D8021			RKZ6.2KG(B2)	Z DIODE		Q1503			RT1P141U-X	DIGI TRANSISTOR	
D8022			RKZ6.2KG(B2)	Z DIODE		Q1504			RT1P141U-X	DIGI TRANSISTOR	
D8031			RB051L-40-X	SB DIODE		Q1505			RT1N436U-T111	DIGI TRANSISTOR	
D8101			RB051L-40-X	SB DIODE		Q1507			RT1N436U-T111	DIGI TRANSISTOR	
D8106			RKZ6.2KG(B2)	Z DIODE		Q1508			RT1N436U-T111	DIGI TRANSISTOR	
D8201			CRS03	SB DIODE		Q1941			RT1P141U-X	DIGI TRANSISTOR	
D8203			RB521S-30	SB DIODE		Q1951			RT1N141U-X	DIGI TRANSISTOR	
						Q1961			RT1N141U-X	DIGI TRANSISTOR	

E1: DDX4028BT E2: DDX3028 (Europe) Q1: DDX4058BT Q2: DDX3058 (Russian)  
K: DDX418 K1: DDX318 (North America) R1: DDX4048BT R2: DDX3048 (Latin America)  
X1: DDX4038BT X2: DDX4038 (Australia) C1: DDX4038BT C2: DDX4038 (China)  
M1: DDX4038BT M2: DDX4038BTM M3: DDX4038 M4: DDX4038M (Other Areas)

△ Indicates safety critical components.

# PARTS LIST

## MAIN UNIT

Ref. No.	Ad	New	Parts No.	Description	Destination
Q6221			RT1P436U-T111	DIGI TRANSISTOR	
Q6222			RT1P436U-T111	DIGI TRANSISTOR	
Q6223			RT1N436U-T111	DIGI TRANSISTOR	
Q6224			RT1N436U-T111	DIGI TRANSISTOR	
Q8021			RT1N141U-X	DIGI TRANSISTOR	
Q8022			RT1N141U-X	DIGI TRANSISTOR	
Q8101			RSQ030P03-W	MOS FET	
Q8102			2SC1623A/5-6/X	TRANSISTOR	
Q8103			2SA812A/5-6/-X	TRANSISTOR	
Q8104			RT1N141U-X	DIGI TRANSISTOR	
Q8201			RTQ035N03-W	MOS FET	
Q8202			2SA812A/5-6/-X	TRANSISTOR	
Q8203			2SC1623A/5-6/X	TRANSISTOR	
Q8301			2SC1623A/5-6/X	TRANSISTOR	
TH131		*	NAD0052-471X	P THERMISTOR	
<b>SUB UNIT</b>					
C200			CD04AS1E100M	ELECTRO 10UF 25WV	
C201			CK73HB1A104K	CHIP C 0.10UF K	
C202		*	C92-2056-08	ELECTRO 470UF 10WV	
C203			CK73HB1A104K	CHIP C 0.10UF K	
C211			CK73GB1C105K	CHIP C 1.0UF K	
C212			CK73GB1C105K	CHIP C 1.0UF K	
C214			CK73HB1A104K	CHIP C 0.10UF K	
C231			CK73GB1C105K	CHIP C 1.0UF K	
C233			CK73GB1C105K	CHIP C 1.0UF K	
C234			CK73HB1A104K	CHIP C 0.10UF K	
C241			CD04AS1E100M	ELECTRO 10UF 25WV	
C242			CD04AS1E100M	ELECTRO 10UF 25WV	
C243			CK73HB1H102K	CHIP C 1000PF K	
C244			CK73HB1A104K	CHIP C 0.10UF K	
C245			CC73GCH1H101J	CHIP C 100PF J	
C261			C93-1512-08	CHIP C 0.1UF K	
C271			C93-1512-08	CHIP C 0.1UF K	
C281			C93-1512-08	CHIP C 0.1UF K	
C296			CK73GB1H473K	CHIP C 0.047UF K	
C2102			CK73GB1C105K	CHIP C 1.0UF K	
C2202			CK73GB1C105K	CHIP C 1.0UF K	
C2302			CK73GB1C105K	CHIP C 1.0UF K	
CN201		*	E41-3312-08	FFC/FPC CONNE	
CN202		*	E41-3312-08	FFC/FPC CONNE	
CN231			E41-1699-05	W TO B CONNE	KR1X1
CN231			E41-1699-05	W TO B CONNE	M1M2C1
CN231			E41-1699-05	W TO B CONNE	E1Q1
CN241			E40-6525-05	W TO B CONNE	
J201		*	E63-0990-08	PIN JACK	
J261			E56-0865-05	DIN CONNECTOR	
J2000		*	E11-0679-08	3.5 JACK	KR1X1
J2000		*	E11-0679-08	3.5 JACK	M1M2C1
J2000		*	E11-0679-08	3.5 JACK	E1Q1
L200		*	L33-2655-08	INDUCTOR	
R201			RK73GB2A750J	CHIP R 75 J 1/10W	
R203			RK73HB1J000J	CHIP R 0.0 J 1/16W	
R213			RK73HB1J105J	CHIP R 1.0M J 1/16W	

Ref. No.	Ad	New	Parts No.	Description	Destination
R216			RK73HB1J000J	CHIP R 0.0 J 1/16W	
R219			RK73HB1J101J	CHIP R 100 J 1/16W	
R224			RK73HB1J000J	CHIP R 0.0 J 1/16W	
R227			RK73HB1J000J	CHIP R 0.0 J 1/16W	
R228			RK73GB2A750J	CHIP R 75 J 1/10W	
R235			RK73HB1J105J	CHIP R 1.0M J 1/16W	
R239			RK73HB1J000J	CHIP R 0.0 J 1/16W	
R241			RK73HB1J471J	CHIP R 470 J 1/16W	
R242			RK73HB1J471J	CHIP R 470 J 1/16W	
R244			RK73HB1J390J	CHIP R 39 J 1/16W	
R245			RK73HB1J104J	CHIP R 100K J 1/16W	
R246			RK73HB1J104J	CHIP R 100K J 1/16W	
R251			RK73FB2B101J	CHIP R 100 J 1/8W	
R252			RK73FB2B101J	CHIP R 100 J 1/8W	
R261			RK73HB1J101J	CHIP R 100 J 1/16W	
R268			RK73GB2A750J	CHIP R 75 J 1/10W	
R271			RK73HB1J101J	CHIP R 100 J 1/16W	
R278			RK73GB2A750J	CHIP R 75 J 1/10W	
R281			RK73HB1J101J	CHIP R 100 J 1/16W	
R288			RK73GB2A750J	CHIP R 75 J 1/10W	
R291			RK73HB1J101J	CHIP R 100 J 1/16W	
R295			RK73FB2B101J	CHIP R 100 J 1/8W	
R296			RK73GB2A471J	CHIP R 470 J 1/10W	
R2101			RK73FB2B101J	CHIP R 100 J 1/8W	
R2201			RK73FB2B101J	CHIP R 100 J 1/8W	
D243			HSU119TRF-E	SI DIODE	
D244			HSU119TRF-E	SI DIODE	
D296			HSU119TRF-E	SI DIODE	
D297			HSU119TRF-E	SI DIODE	
IC201			NJM2561F1-X	IC	
IC211			NJM2535V-ZB	IC	
IC231			NJM2535V-ZB	IC	
IC241			NJM2505AF-ZB	IC	
VA201		*	VR1005CCA270	VARIATOR (ZNR)	
VA210		*	VR1005CCA270	VARIATOR (ZNR)	
VA220		*	VR1005CCA270	VARIATOR (ZNR)	
VA221		*	VR1005CCA270	VARIATOR (ZNR)	
VA251		*	VR1005CCA270	VARIATOR (ZNR)	
VA252		*	VR1005CCA270	VARIATOR (ZNR)	
VA261		*	VR1005CCA270	VARIATOR (ZNR)	
VA271		*	VR1005CCA270	VARIATOR (ZNR)	
VA281		*	VR1005CCA270	VARIATOR (ZNR)	
VA291		*	VR1005CCA270	VARIATOR (ZNR)	
VA295		*	VR1005CCA270	VARIATOR (ZNR)	
<b>BT UNIT (BT MODEL ONLY)</b>					
C311			CK73FB0J106K	CHIP C 10UF K	
C331			CK73FB0J106K	CHIP C 10UF K	
C333			CK73HB1A104K	CHIP C 0.10UF K	
C335			CK73HB1A104K	CHIP C 0.10UF K	
C337			CK73HB1A104K	CHIP C 0.10UF K	
C339			CK73FB0J106K	CHIP C 10UF K	
C341			CK73HB1A104K	CHIP C 0.10UF K	
C343			CK73HB1A104K	CHIP C 0.10UF K	
C371			CK73HB1A104K	CHIP C 0.10UF K	
C372			CK73FB1A225K	CHIP C 2.2UF K	

E1: DDX4028BT E2: DDX3028 (Europe) Q1: DDX4058BT Q2: DDX3058 (Russian)  
K: DDX418 K1: DDX318 (North America) R1: DDX4048BT R2: DDX3048 (Latin America)  
X1: DDX4038BT X2: DDX4038 (Australia) C1: DDX4038BT C2: DDX4038 (China)  
M1: DDX4038BT M2: DDX4038BTM M3: DDX4038 M4: DDX4038M (Other Areas)

△ Indicates safety critical components.

# PARTS LIST

## BT UNIT (BT MODEL ONLY)

Ref. No.	Add	New	Parts No.	Description	Destination	Ref. No.	Add	New	Parts No.	Description	Destination
C3001			CK73FB0J106K	CHIP C 10UF K		CN311		*	E41-3312-08	FFC/FPC CONNE	
C3003			CK73GB1C105K	CHIP C 1.0UF K		CN341			E41-2721-05	W TO B CONNE	
C3010			CK73HB1E103K	CHIP C 0.010UF K		L3001			L33-2548-08	CHOKE COIL	
C3100			CK73HB1E103K	CHIP C 0.010UF K		L3301			L33-2543-08	INDUCTOR	
C3102			CK73HB1H821K	CHIP C 820PF K		L3462			L40-1891-86	P COIL	
C3103			CC73GCH1H151J	CHIP C 150PF J		L3473		*	L33-2656-08	INDUCTOR	
C3104			CK73GB1C105K	CHIP C 1.0UF K		X3402		*	L77-3861-08	CRYSTAL	
C3142			CK73GB1C105K	CHIP C 1.0UF K		R322			RK73HB1J472J	CHIP R 4.7K J 1/16W	
C3143			CC73HCH1H471J	CHIP C 470PF J		R323			RK73HB1J473J	CHIP R 47K J 1/16W	
C3145		*	C93-1600-08	CHIP C 0.012UF K		R324			RK73HB1J472J	CHIP R 4.7K J 1/16W	
C3146		*	C93-1600-08	CHIP C 0.012UF K		R3003			RK73HB1J103J	CHIP R 10K J 1/16W	
C3147			CK73HB1A104K	CHIP C 0.10UF K		R3004			RK73HB1J153J	CHIP R 15K J 1/16W	
C3151			CK73GB1C105K	CHIP C 1.0UF K		R3005			RK73HB1J153J	CHIP R 15K J 1/16W	
C3152			CK73GB1C105K	CHIP C 1.0UF K		R3006			RK73HB1J223J	CHIP R 22K J 1/16W	
C3202			CK73HB1H821K	CHIP C 820PF K		R3010			RK73HB1J100J	CHIP R 10 J 1/16W	
C3203			CC73GCH1H151J	CHIP C 150PF J		R3101			RK73HB1J223J	CHIP R 22K J 1/16W	
C3204			CK73GB1C105K	CHIP C 1.0UF K		R3102			RK73HB1J243J	CHIP R 24K J 1/16W	
C3241			CK73HB1H102K	CHIP C 1000PF K		R3103			RK73HB1J153J	CHIP R 15K J 1/16W	
C3242			CK73GB1C105K	CHIP C 1.0UF K		R3142			RK73HB1J122J	CHIP R 1.2K J 1/16W	
C3243			CC73HCH1H471J	CHIP C 470PF J		R3143			RK73HB1J124J	CHIP R 120K J 1/16W	
C3301			CE32BJ1C101M	CHIP EL 100UF 16WV		R3144			RK73HB1J822J	CHIP R 8.2K J 1/16W	
C3302			CK73HB1A104K	CHIP C 0.10UF K		R3145			RK73HB1J333J	CHIP R 33K J 1/16W	
C3303			CE32BJ1C470M	CHIP EL 47UF 16WV		R3146			RK73HB1J103J	CHIP R 10K J 1/16W	
C3304		*	C93-1600-08	CHIP C 0.012UF K		R3151			RK73HB1J103J	CHIP R 10K J 1/16W	
C3311			CE32BJ1C101M	CHIP EL 100UF 16WV		R3152			RK73HB1J103J	CHIP R 10K J 1/16W	
C3322			C93-1512-08	CHIP C 0.1UF K		R3201			RK73HB1J223J	CHIP R 22K J 1/16W	
C3323			CE32BJ1C470M	CHIP EL 47UF 16WV		R3202			RK73HB1J243J	CHIP R 24K J 1/16W	
C3324			CK73HB1H821K	CHIP C 820PF K		R3203			RK73HB1J153J	CHIP R 15K J 1/16W	
C3325			CC73GCH1H151J	CHIP C 150PF J		R3241			RK73HB1J822J	CHIP R 8.2K J 1/16W	
C3326			CK73GB1C105K	CHIP C 1.0UF K		R3242			RK73HB1J122J	CHIP R 1.2K J 1/16W	
C3407			CK73HB1A104K	CHIP C 0.10UF K		R3243			RK73HB1J124J	CHIP R 120K J 1/16W	
C3409			CK73HB1A104K	CHIP C 0.10UF K		R3311			RK73HB1J122J	CHIP R 1.2K J 1/16W	
C3410			CK73HB1A104K	CHIP C 0.10UF K		R3312			RK73HB1J680J	CHIP R 68 J 1/16W	
C3419			CK73HB1A104K	CHIP C 0.10UF K		R3313			RK73HB1J680J	CHIP R 68 J 1/16W	
C3424			CK73HB1A104K	CHIP C 0.10UF K		R3321			RK73HB1J103J	CHIP R 10K J 1/16W	
C3426			CK73HB1A104K	CHIP C 0.10UF K		R3322			RK73HB1J103J	CHIP R 10K J 1/16W	
C3440			CK73HB1A104K	CHIP C 0.10UF K		R3323			RK73HB1J223J	CHIP R 22K J 1/16W	
C3443			CK73HB1A104K	CHIP C 0.10UF K		R3324			RK73HB1J243J	CHIP R 24K J 1/16W	
C3454			CC73HCH1H270J	CHIP C 27PF J		R3325			RK73HB1J153J	CHIP R 15K J 1/16W	
C3455			CC73HCH1H330J	CHIP C 33PF J		R3326			RK73HB1J473J	CHIP R 47K J 1/16W	
C3458			CK73HB1A104K	CHIP C 0.10UF K		R3404			RK73HB1J102J	CHIP R 1.0K J 1/16W	
C3465			CK73HB1A104K	CHIP C 0.10UF K		R3415			RK73HB1J103J	CHIP R 10K J 1/16W	
C3468			CK73HB1E103K	CHIP C 0.010UF K		R3444			RK73HB1J470J	CHIP R 47 J 1/16W	
C3469			CK73HB1A104K	CHIP C 0.10UF K		R3446			RK73HB1J470J	CHIP R 47 J 1/16W	
C3472			CK73HB1H122K	CHIP C 1200PF K		R3447			RK73HB1J470J	CHIP R 47 J 1/16W	
C3473			CK73HB0J105K	CHIP C 1.0UF K		R3454			RK73HB1J151J	CHIP R 150 J 1/16W	
C3475			CC73HCH1H331J	CHIP C 330PF J		R3455			RK73HB1J105J	CHIP R 1.0M J 1/16W	
C3477		*	C93-1601-08	CHIP C 0.15UF K		R3460			RK73HB1J472J	CHIP R 4.7K J 1/16W	
C3484			CK73HB1A104K	CHIP C 0.10UF K		R3463			RK73HB1J101J	CHIP R 100 J 1/16W	
C3491			CK73HB1A104K	CHIP C 0.10UF K		R3468			RK73HB1J223J	CHIP R 22K J 1/16W	
C3492			CK73HB1C473K	CHIP C 0.047UF K		R3469			RK73HB1J223J	CHIP R 22K J 1/16W	
C3524			CK73HB1A104K	CHIP C 0.10UF K		R3478			RK73HB1J472J	CHIP R 4.7K J 1/16W	
C3575			CC73HCH1H220J	CHIP C 22PF J		R3479			RK73HB1J153J	CHIP R 15K J 1/16W	
CN302			E41-1702-05	W TO B CONNE		R3480			RK73HB1J153J	CHIP R 15K J 1/16W	

E1: DDX4028BT E2: DDX3028 (Europe) Q1: DDX4058BT Q2: DDX3058 (Russian)  
K: DDX418 K1: DDX318 (North America) R1: DDX4048BT R2: DDX3048 (Latin America)  
X1: DDX4038BT X2: DDX4038 (Australia) C1: DDX4038BT C2: DDX4038 (China)  
M1: DDX4038BT M2: DDX4038BTM M3: DDX4038 M4: DDX4038M (Other Areas)

△ Indicates safety critical components.

# PARTS LIST

## BT UNIT (BT MODEL ONLY)

Ref. No.	A d d	N e w	Parts No.	Description	Desti- nation	Ref. No.	A d d	N e w	Parts No.	Description	Desti- nation
R3482			RK73HB1J330J	CHIP R 33 J 1/16W		C4103			CK73HB1A104K	CHIP C 0.10UF K	
R3483			RK73HB1J330J	CHIP R 33 J 1/16W		C4106			CK73HB1A104K	CHIP C 0.10UF K	
R3491			RK73HB1J103J	CHIP R 10K J 1/16W		C4107			CK73HB1A104K	CHIP C 0.10UF K	
R3493			RK73HB1J271J	CHIP R 270 J 1/16W		C4120			CK73HB1A104K	CHIP C 0.10UF K	
R3494			RK73HB1J271J	CHIP R 270 J 1/16W		C4121			CK73HB1A104K	CHIP C 0.10UF K	
R3577			RK73HB1J472J	CHIP R 4.7K J 1/16W		C4122			CK73HB1A104K	CHIP C 0.10UF K	
R3586			RK73HB1J472J	CHIP R 4.7K J 1/16W		C4135			CK73HB1A104K	CHIP C 0.10UF K	
R3587			RK73HB1J472J	CHIP R 4.7K J 1/16W		C4145			CK73HB1A104K	CHIP C 0.10UF K	
R3589			RK73HB1J472J	CHIP R 4.7K J 1/16W		C4156			CK73HB0J105K	CHIP C 1.0UF K	
R3593			RK73HB1J472J	CHIP R 4.7K J 1/16W		C4157			CK73HB1A104K	CHIP C 0.10UF K	
R3594			RK73HB1J472J	CHIP R 4.7K J 1/16W		C4158			CK73HB0J105K	CHIP C 1.0UF K	
RA301			RK74HB1J680J	CHIP-COM 68 J 1/16W		C4159			CC73HCH1H101J	CHIP C 100PF J	
RA302			RK74HB1J680J	CHIP-COM 68 J 1/16W		C4160			CC73HCH1H330J	CHIP C 33PF J	
RA303			RK74HB1J680J	CHIP-COM 68 J 1/16W		C4161			CC73HCH1H560J	CHIP C 56PF J	
RA304			RK74HB1J680J	CHIP-COM 68 J 1/16W		C4163			CK73HB1A104K	CHIP C 0.10UF K	
RA305			RK74HB1J470J	CHIP-COM 47 J 1/16W		C4164			CK73HB1A104K	CHIP C 0.10UF K	
RA306			RK74HB1J472J	CHIP-COM 4.7K J 1/16W		C4165			CK73HB1A104K	CHIP C 0.10UF K	
RA307			RK74HB1J101J	CHIP-COM 100 J 1/16W		C4166			CK73HB1A104K	CHIP C 0.10UF K	
D3311			RKZ6.2KG(B2)	Z DIODE		C4168	*		C91-2331-08	CHIP C 22UF M	
D3312			HSU119TRF-E	SI DIODE		C4169			CK73HB1A104K	CHIP C 0.10UF K	
IC301			TCC8600	IC (MCU)		C4171			CK73HB1A104K	CHIP C 0.10UF K	
IC302		*	LVU04932-01A	PROGRAMED IC		C4172			CK73HB1A104K	CHIP C 0.10UF K	
IC303			M12L1281687TG2	IC (DIGITAL)		C4173			CK73HB1A104K	CHIP C 0.10UF K	
IC304			BD6538G	IC		C4176			CK73HB1A104K	CHIP C 0.10UF K	
IC311		*	R1EX24256ASASX	IC		C4177			CK73HB1A104K	CHIP C 0.10UF K	
IC331			AK4387ET-X	IC		C4178			CK73HB1A104K	CHIP C 0.10UF K	
IC332			NJM4565E-ZB	IC		C4182			CK73HB1A104K	CHIP C 0.10UF K	
IC341			NJM4565E-ZB	IC		C4183			CK73HB0J105K	CHIP C 1.0UF K	
IC371		*	XC6213B182NG-X	IC		C4190			CK73HB1A104K	CHIP C 0.10UF K	
Q3311		*	2SC1623A/5-6/-X	TRANSISTOR		C4196			CK73HB1A104K	CHIP C 0.10UF K	
<b>PANEL-A UNIT</b>											
C4001			CC73HCH1H060D	CHIP C 6.0PF D		C4201			CK73HB1A104K	CHIP C 0.10UF K	
C4002			CC73HCH1H060D	CHIP C 6.0PF D		C4210			CK73HB1A104K	CHIP C 0.10UF K	
C4010			CK73HB1A104K	CHIP C 0.10UF K		C4217			CK73FB0J475K	CHIP C 4.7UF K	
C4013			CK73HB1A104K	CHIP C 0.10UF K		C4218			CK73HB1A104K	CHIP C 0.10UF K	
C4019			CK73HB1A104K	CHIP C 0.10UF K		C4301			CK73HB1A104K	CHIP C 0.10UF K	
C4020			CK73HB0J105K	CHIP C 1.0UF K		C4303			CK73HB1A104K	CHIP C 0.10UF K	
C4028			CK73HB1A104K	CHIP C 0.10UF K		C4309			CK73HB1A104K	CHIP C 0.10UF K	
C4038			CK73HB1A104K	CHIP C 0.10UF K		C4314			CK73HB1A104K	CHIP C 0.10UF K	
C4039			CK73HB0J105K	CHIP C 1.0UF K		C4327			CK73FB0J106K	CHIP C 10UF K	
C4049			CK73HB1A104K	CHIP C 0.10UF K		C4343			CK73HB1A104K	CHIP C 0.10UF K	
C4051			CK73HB1A104K	CHIP C 0.10UF K		C4349			CK73HB1A104K	CHIP C 0.10UF K	
C4055			CK73HB1A104K	CHIP C 0.10UF K		C4354			CK73FB0J106K	CHIP C 10UF K	
C4056			CK73FB0J106K	CHIP C 10UF K		C4408			CK73HB1A104K	CHIP C 0.10UF K	
C4057			CK73FB0J106K	CHIP C 10UF K		C4409			CK73FB0J106K	CHIP C 10UF K	
C4066			CK73HB1A104K	CHIP C 0.10UF K		C4601			CK73HB1A104K	CHIP C 0.10UF K	
C4067			CK73HB0J105K	CHIP C 1.0UF K		C4602			CC73HCH1H680J	CHIP C 68PF J	
C4069			CK73HB1A104K	CHIP C 0.10UF K		C4604			CC73HCH1H180J	CHIP C 18PF J	
C4074			CK73HB1A104K	CHIP C 0.10UF K		C4605			CK73FB0J106K	CHIP C 10UF K	
C4075			CK73HB0J105K	CHIP C 1.0UF K		C4614			CC73HCH1H560J	CHIP C 56PF J	
C4085			CK73HB1A104K	CHIP C 0.10UF K		C4615			CK73HB0J105K	CHIP C 1.0UF K	
C4094			CK73HB1E103K	CHIP C 0.010UF K		C4616			CK73HB0J105K	CHIP C 1.0UF K	
C4095			CK73HB1A104K	CHIP C 0.10UF K		C4624			CC73HCH1H560J	CHIP C 56PF J	
C4097			CK73HB1A104K	CHIP C 0.10UF K		C4625			CK73HB0J105K	CHIP C 1.0UF K	
						C4626			CK73HB0J105K	CHIP C 1.0UF K	
						C4634			CC73HCH1H560J	CHIP C 56PF J	

# PARTS LIST

## PANEL-A UNIT

Ref. No.	Add	New	Parts No.	Description	Destination	Ref. No.	Add	New	Parts No.	Description	Destination
C4635			CK73HB0J105K	CHIP C 1.0UF K		R4164			RK73HH1J103D	CHIP R 10K D 1/16W	
C4636			CK73HB0J105K	CHIP C 1.0UF K		R4166			RK73HB1J2R2J	CHIP R 2.2 J 1/16W	
C5001			CK73GB1H104K	CHIP C 0.10UF K		R4167			RK73HB1J000J	CHIP R 0.0 J 1/16W	
C5002			C93-1512-08	CHIP C 0.1UF K		R4402			RK73HB1J680J	CHIP R 68 J 1/16W	
C5003			CK73FB0J106K	CHIP C 10UF K		R4601			RK73HB1J391J	CHIP R 390 J 1/16W	
C5004			CK73FB1C106K	CHIP C 10UF K		R4606			RK73HB1J152J	CHIP R 1.5K J 1/16W	
C5005			CK73HB0J105K	CHIP C 1.0UF K		R4608			RK73HB1J471J	CHIP R 470 J 1/16W	
C5010			CK73GB1C105K	CHIP C 1.0UF K		R4611			RK73HB1J101J	CHIP R 100 J 1/16W	
C5011			CK73GB1H104K	CHIP C 0.10UF K		R4613			RK73HB1J103J	CHIP R 10K J 1/16W	
C5103			C93-1512-08	CHIP C 0.1UF K		R4614			RK73HB1J103J	CHIP R 10K J 1/16W	
C5201			CK73GB1H104K	CHIP C 0.10UF K		R4615			RK73HB1J151J	CHIP R 150 J 1/16W	
C5202			CK73FB1E105K	CHIP C 1.0UF K		R4618			RK73HB1J471J	CHIP R 470 J 1/16W	
C5203			CK73GB1H104K	CHIP C 0.10UF K		R4621			RK73HB1J101J	CHIP R 100 J 1/16W	
C5301			C93-1512-08	CHIP C 0.1UF K		R4623			RK73HB1J103J	CHIP R 10K J 1/16W	
C5302			CK73HB1A104K	CHIP C 0.10UF K		R4624			RK73HB1J103J	CHIP R 10K J 1/16W	
CN401		*	E41-3313-08	FFC/FPC CONNE		R4625			RK73HB1J151J	CHIP R 150 J 1/16W	
CN501		*	E41-3310-08	FFC/FPC CONNE		R4628			RK73HB1J471J	CHIP R 470 J 1/16W	
L4001			L33-2543-08	INDUCTOR		R4631			RK73HB1J101J	CHIP R 100 J 1/16W	
L4601		*	L33-2654-08	INDUCTOR		R4633			RK73HB1J103J	CHIP R 10K J 1/16W	
X4001		*	L77-3860-08	CRYSTAL		R4634			RK73HB1J103J	CHIP R 10K J 1/16W	
R4001			RK73HB1J681J	CHIP R 680 J 1/16W		R4635			RK73HB1J151J	CHIP R 150 J 1/16W	
R4002			RK73HB1J105J	CHIP R 1.0M J 1/16W		R4638			RK73HB1J471J	CHIP R 470 J 1/16W	
R4030			RK73HB1J680J	CHIP R 68 J 1/16W		R4640			RK73HB1J000J	CHIP R 0.0 J 1/16W	
R4053			RK73HB1J680J	CHIP R 68 J 1/16W		R5001			RK73HH1J101D	CHIP R 100 D 1/16W	
R4054			RK73HB1J680J	CHIP R 68 J 1/16W		R5002			RK73HH1J161D	CHIP R 160 D 1/16W	
R4058			RK73HB1J103J	CHIP R 10K J 1/16W		R5003			RK73HH1J430D	CHIP R 43 D 1/16W	
R4060			RK73HB1J101J	CHIP R 100 J 1/16W		R5004		*	R92-5558-08	CHIP R 36 D	
R4062			RK73HB1J102J	CHIP R 1.0K J 1/16W		R5005			RK73HH1J101D	CHIP R 100 D 1/16W	
R4063			RK73HB1J102J	CHIP R 1.0K J 1/16W		R5006			RK73HH1J161D	CHIP R 160 D 1/16W	
R4064			RK73HB1J101J	CHIP R 100 J 1/16W		R5007			RK73HH1J101D	CHIP R 100 D 1/16W	
R4065			RK73HB1J102J	CHIP R 1.0K J 1/16W		R5008		*	R92-5558-08	CHIP R 36 D	
R4066			RK73HB1J101J	CHIP R 100 J 1/16W		R5009			RK73HH1J430D	CHIP R 43 D 1/16W	
R4067			RK73HB1J101J	CHIP R 100 J 1/16W		R5010			RK73HH1J161D	CHIP R 160 D 1/16W	
R4068			RK73HB1J220J	CHIP R 22 J 1/16W		R5011			RK73HH1J620D	CHIP R 62 D 1/16W	
R4069			RK73HB1J101J	CHIP R 100 J 1/16W		R5020			RK73HB1J101J	CHIP R 100 J 1/16W	
R4070			RK73HB1J101J	CHIP R 100 J 1/16W		R5106			RK73HH1J822D	CHIP R 8.2K D 1/16W	
R4077			RK73HB1J101J	CHIP R 100 J 1/16W		R5107			RK73HH1J472D	CHIP R 4.7K D 1/16W	
R4078			RK73HB1J680J	CHIP R 68 J 1/16W		R5109			RK73HB1J105J	CHIP R 1.0M J 1/16W	
R4079			RK73HB1J680J	CHIP R 68 J 1/16W		R5201			RK73HB1J473J	CHIP R 47K J 1/16W	
R4083			RK73HB1J680J	CHIP R 68 J 1/16W		R5203			RK73HB1J183J	CHIP R 18K J 1/16W	
R4091			RK73HB1J680J	CHIP R 68 J 1/16W		R5204			RK73HB1J183J	CHIP R 18K J 1/16W	
R4127			RK73HB1J101J	CHIP R 100 J 1/16W		R5205			RK73HB1J471J	CHIP R 470 J 1/16W	
R4128			RK73HB1J101J	CHIP R 100 J 1/16W		R5302			RK73HB1J103J	CHIP R 10K J 1/16W	
R4129			RK73HB1J101J	CHIP R 100 J 1/16W		R5303			RK73HB1J103J	CHIP R 10K J 1/16W	
R4130			RK73HB1J102J	CHIP R 1.0K J 1/16W		R5304			RK73HB1J562J	CHIP R 5.6K J 1/16W	
R4131			RK73HB1J101J	CHIP R 100 J 1/16W		RA401			RK74HB1J680J	CHIP-COM 68 J 1/16W	
R4132			RK73HB1J220J	CHIP R 22 J 1/16W		RA402			RK74HB1J680J	CHIP-COM 68 J 1/16W	
R4133			RK73HB1J101J	CHIP R 100 J 1/16W		RA403			RK74HB1J680J	CHIP-COM 68 J 1/16W	
R4136			RK73HB1J101J	CHIP R 100 J 1/16W		RA404			RK74HB1J680J	CHIP-COM 68 J 1/16W	
R4137			RK73HB1J101J	CHIP R 100 J 1/16W		RA405			RK74HB1J680J	CHIP-COM 68 J 1/16W	
R4138			RK73HB1J330J	CHIP R 33 J 1/16W		RA406			RK74HB1J680J	CHIP-COM 68 J 1/16W	
R4147			RK73HB1J102J	CHIP R 1.0K J 1/16W		RA407			RK74HB1J680J	CHIP-COM 68 J 1/16W	
R4149			RK73HB1J750J	CHIP R 75 J 1/16W		RA408			RK74HB1J680J	CHIP-COM 68 J 1/16W	
R4161			RK73HB1J101J	CHIP R 100 J 1/16W		RA409			RK74HB1J680J	CHIP-COM 68 J 1/16W	
						RA415			RK74HB1J101J	CHIP-COM 100 J 1/16W	

E1: DDX4028BT E2: DDX3028 (Europe) Q1: DDX4058BT Q2: DDX3058 (Russian)  
K: DDX418 K1: DDX318 (North America) R1: DDX4048BT R2: DDX3048 (Latin America)  
X1: DDX4038BT X2: DDX4038 (Australia) C1: DDX4038BT C2: DDX4038 (China)  
M1: DDX4038BT M2: DDX4038BTM M3: DDX4038 M4: DDX4038M (Other Areas)

△ Indicates safety critical components.

# PARTS LIST

## PANEL-A UNIT

Ref. No.	Add	New	Parts No.	Description	Destination
RA416			RK74HB1J101J	CHIP-COM 100 J 1/16W	
RA417			RK74HB1J101J	CHIP-COM 100 J 1/16W	
RA418			RK74HB1J101J	CHIP-COM 100 J 1/16W	
RA419			RK74HB1J101J	CHIP-COM 100 J 1/16W	
RA420			RK74HB1J330J	CHIP-COM 33 J 1/16W	
D4001			HSU119TRF-E	SI DIODE	
D5201			HSU119TRF-E	SI DIODE	
D5202		*	RKZ18B2KG-X	Z DIODE	
IC401		*	MN103SH23	IC (MCU)	
IC404		*	TC7SZ17FE-X	IC (DIGITAL)	
IC405		*	XC6213B122NGX	IC	
IC406		*	TC7SP3125TU-X	IC (DIGITAL)	
IC431			M12L1281687TG2	IC (DIGITAL)	
IC441		*	LVU04960-01B	PROGRAMED IC	
IC501		*	NJM2831F92-X	IC	
IC511		*	NJM2904V-X	IC (APC)	
Q4001			RT1N141U-X	DIGI TRANSISTOR	
Q4002			RT1N141U-X	DIGI TRANSISTOR	
Q4601		*	ISA1602AM1/EF/X	TRANSISTOR	
Q4611		*	ISA1602AM1/EF/X	TRANSISTOR	
Q4621		*	ISA1602AM1/EF/X	TRANSISTOR	
Q4631		*	ISA1602AM1/EF/X	TRANSISTOR	
Q5201			RT1N141U-X	DIGI TRANSISTOR	
Q5202		*	2SC4154/EF/-X	TRANSISTOR	
Q5203		*	2SC4154/EF/-X	TRANSISTOR	
Q5301		*	ISA1602AM1/EF/X	TRANSISTOR	
Q5302		*	ISA1602AM1/EF/X	TRANSISTOR	

## PANEL-B UNIT

C6001			CK73GB1H104K	CHIP C 0.10UF K	
C6002			CK73GB1H104K	CHIP C 0.10UF K	
C6003			CK73FB1E105K	CHIP C 1.0UF K	
C6004			CK73GB1H104K	CHIP C 0.10UF K	
C6101			CC73GCH1H101J	CHIP C 100PF J	
C6102			CC73GCH1H101J	CHIP C 100PF J	
C6103			CC73GCH1H101J	CHIP C 100PF J	
C6104			CC73GCH1H101J	CHIP C 100PF J	
C6502			CK73FB0J106K	CHIP C 10UF K	
C6503			CK73EB1E106K	CHIP C 10UF K	
C6504			CK73HB1H102K	CHIP C 1000PF K	
C6507			CC73GCH1H101J	CHIP C 100PF J	
C6508			CC73GCH1H101J	CHIP C 100PF J	
CN601		*	QGZ1102K2-20X	DETACHABLE CONN	
CN602		*	QGZ1102K2-20X	DETACHABLE CONN	
CN603		*	E41-3313-08	FFC/FPC CONNE	
CN604		*	E41-3314-08	FFC/FPC CONNE	
CN605		*	E41-3318-08	FFC/FPC CONNE	
CN606		*	E41-3300-08	FFC/FPC CONNE	
CN651		*	E41-3314-08	FFC/FPC CONNE	
CN654		*	E41-3301-08	W TO B CONNE	
J6501		*	QNZ0963-002	USB CONNECTOR	
J6502		*	QNS0288-003	3.5 JACK	
JS651			T99-0484-05	ROTARY ENCODER	
R6001			RK73HB1J181J	CHIP R 180 J 1/16W	

Ref. No.	Add	New	Parts No.	Description	Destination
R6002			RK73HB1J221J	CHIP R 220 J 1/16W	
R6003			RK73HB1J181J	CHIP R 180 J 1/16W	
R6004			RK73HB1J221J	CHIP R 220 J 1/16W	
R6005			RK73HB1J181J	CHIP R 180 J 1/16W	
R6006			RK73HB1J221J	CHIP R 220 J 1/16W	
R6007			RK73HB1J181J	CHIP R 180 J 1/16W	
R6008			RK73HB1J221J	CHIP R 220 J 1/16W	
R6009			RK73HB1J000J	CHIP R 0.0 J 1/16W	
R6012			RK73HB1J122J	CHIP R 1.2K J 1/16W	
R6013			RK73HB1J121J	CHIP R 120 J 1/16W	
R6201			RK73HB1J473J	CHIP R 47K J 1/16W	
R6202			RK73HB1J473J	CHIP R 47K J 1/16W	
R6203			RK73HB1J473J	CHIP R 47K J 1/16W	
R6204			RK73HH1J301D	CHIP R 300 D 1/16W	
R6207			RK73HH1J271D	CHIP R 270 D 1/16W	
R6208			RK73HH1J301D	CHIP R 300 D 1/16W	
R6209			RK73HH1J331D	CHIP R 330 D 1/16W	
R6210			RK73HH1J391D	CHIP R 390 D 1/16W	
R6212			RK73GB2A470J	CHIP R 47 J 1/10W	
R6501			RK73GB2A332J	CHIP R 3.3K J 1/10W	
R6502			RK73GB2A302J	CHIP R 3.0K J 1/10W	
R6504			RK73GB2A332J	CHIP R 3.3K J 1/10W	
R6505			RK73GB2A302J	CHIP R 3.0K J 1/10W	
R6507			RK73HB1J100J	CHIP R 10 J 1/16W	
R6508			RK73HB1J181J	CHIP R 180 J 1/16W	
R6509			RK73HB1J182J	CHIP R 1.8K J 1/16W	
R6510			RK73HB1J222J	CHIP R 2.2K J 1/16W	
R6511			RK73HB1J750J	CHIP R 75 J 1/16W	
R6514			RK73GB2A473J	CHIP R 47K J 1/10W	
R6516			RK73GB2A473J	CHIP R 47K J 1/10W	
RA601		*	R92-5559-08	CHIP R 820 J	
RA602			RK74HB1J102J	CHIP-COM 1.0K J 1/16W	
RA603			RK74HB1J470J	CHIP-COM 47 J 1/16W	
S6501			S70-0960-05	TACT SWITCH	
S6502			S70-0960-05	TACT SWITCH	
S6503			S70-0960-05	TACT SWITCH	
S6504			S70-0960-05	TACT SWITCH	
S6505			S70-0960-05	TACT SWITCH	
S6506			S70-0960-05	TACT SWITCH	
D6041		*	RKZ18B2KG-X	Z DIODE	
D6042			HSU119TRF-E	SI DIODE	
D6101			RKZ6.2KG(B2)	Z DIODE	
D6102			RKZ6.2KG(B2)	Z DIODE	
D6103			RKZ6.2KG(B2)	Z DIODE	
D6104			RKZ6.2KG(B2)	Z DIODE	
D6501		*	NSSM065T-X	LED	
D6502		*	NSSM065T-X	LED	
D6504		*	NSSM065T-X	LED	
D6506			B30-1779-05	LED	
D6507			B30-1779-05	LED	
IC651			PIC95603	IR DETECT UNIT	
Q6001		*	2SC4154/EF/-X	TRANSISTOR	
Q6002		*	2SC4154/EF/-X	TRANSISTOR	
Q6003		*	2SC4154/EF/-X	TRANSISTOR	

E1: DDX4028BT E2: DDX3028 (Europe) Q1: DDX4058BT Q2: DDX3058 (Russian)  
K: DDX418 K1: DDX318 (North America) R1: DDX4048BT R2: DDX3048 (Latin America)  
X1: DDX4038BT X2: DDX4038 (Australia) C1: DDX4038BT C2: DDX4038 (China)  
M1: DDX4038BT M2: DDX4038BTM M3: DDX4038 M4: DDX4038M (Other Areas)

△ Indicates safety critical components.

# PARTS LIST

## PANEL-B UNIT

Ref. No.	Add	New	Parts No.	Description	Destination	Ref. No.	Add	New	Parts No.	Description	Destination
Q6004		*	2SC4154/EF/-X	TRANSISTOR		C63			CK73FB0J226M	CHIP C 22UF	M
Q6005		*	2SD1664/QR/-W	TRANSISTOR		C65			CK73GB1C104K	CHIP C 0.10UF	K
Q6006		*	2SC4154/EF/-X	TRANSISTOR		C66			CK73GB1C104K	CHIP C 0.10UF	K
Q6007		*	2SC4154/EF/-X	TRANSISTOR		C67			CK73GB1H103K	CHIP C 0.010UF	K
Q6008		*	2SC4154/EF/-X	TRANSISTOR		C68			CK73GB1C104K	CHIP C 0.10UF	K
Q6009		*	2SC4154/EF/-X	TRANSISTOR		C69			CK73GB1C105K	CHIP C 1.0UF	K
Q6010			RT1P141U-X	DIGI TRANSISTOR		C70			CK73GB1C104K	CHIP C 0.10UF	K
Q6011			RT1N141U-X	DIGI TRANSISTOR		C71			CK73GB1C104K	CHIP C 0.10UF	K
Q6201		*	2SC4154/EF/-X	TRANSISTOR		C72			CK73GB1C105K	CHIP C 1.0UF	K
Q6202		*	2SC4154/EF/-X	TRANSISTOR		C73			CK73GB1C104K	CHIP C 0.10UF	K
Q6203		*	2SC4154/EF/-X	TRANSISTOR		C74			CK73GB1C104K	CHIP C 0.10UF	K
VA614		*	VR1005CCA270	VARISTOR (ZNR)		C75			CK73GB1C104K	CHIP C 0.10UF	K
VA616		*	VR1005CCA270	VARISTOR (ZNR)		C76			CK73GB1C104K	CHIP C 0.10UF	K
VA628		*	VR1005CCA270	VARISTOR (ZNR)		C77			CK73GB1C104K	CHIP C 0.10UF	K
VA630		*	VR1005CCA270	VARISTOR (ZNR)		C78			CK73GB1C104K	CHIP C 0.10UF	K
VA632		*	VR1005CCA270	VARISTOR (ZNR)		C79			CK73GB1C104K	CHIP C 0.10UF	K
VA633		*	VR1005CCA270	VARISTOR (ZNR)		C80			CK73GB1C105K	CHIP C 1.0UF	K
VA636		*	VR1005CCA270	VARISTOR (ZNR)		C81			CC73GCH1H120J	CHIP C 12PF	J
VA638		*	VR1005CCA270	VARISTOR (ZNR)		C82			CC73GCH1H120J	CHIP C 12PF	J
VA640		*	VR1005CCA270	VARISTOR (ZNR)		C83			CK73GB1C104K	CHIP C 0.10UF	K
VA642		*	NAF0027-001X	VARISTOR (ZNR)		C84			CK73GB1H333K	CHIP C 0.033UF	K
VA651		*	VR1005CCA270	VARISTOR (ZNR)		C85			CK73GB1C104K	CHIP C 0.10UF	K
<b>DVD UNIT</b>						C86			CK73GB1C104K	CHIP C 0.10UF	K
C2			CK73GB1C104K	CHIP C 0.10UF	K	C87			CK73GB1C104K	CHIP C 0.10UF	K
C3			CK73GB1C104K	CHIP C 0.10UF	K	C88			CK73GB1C104K	CHIP C 0.10UF	K
C4			CK73GB1C104K	CHIP C 0.10UF	K	C89			C93-1511-08	CHIP C 0.018UF	K
C5			CK73GB1C104K	CHIP C 0.10UF	K	C90			CK73GB1H562K	CHIP C 5600PF	K
C6			CK73GB1C104K	CHIP C 0.10UF	K	C91			CK73GB1C104K	CHIP C 0.10UF	K
C7			CK73GB1C104K	CHIP C 0.10UF	K	C92			CK73GB1C105K	CHIP C 1.0UF	K
C8			CK73GB1C104K	CHIP C 0.10UF	K	C93			CK73GB1C105K	CHIP C 1.0UF	K
C9			CK73GB1C104K	CHIP C 0.10UF	K	C99			CK73GB1C104K	CHIP C 0.10UF	K
C11			CK73GB1C104K	CHIP C 0.10UF	K	C100			C93-1518-08	CHIP C 0.68UF	K
C12			CK73GB1C104K	CHIP C 0.10UF	K	C101			CK73GB1C104K	CHIP C 0.10UF	K
C13			CK73GB1C104K	CHIP C 0.10UF	K	C102			C93-1518-08	CHIP C 0.68UF	K
C14			CK73GB1C104K	CHIP C 0.10UF	K	C109			CK73GB1C105K	CHIP C 1.0UF	K
C15			CK73GB1C104K	CHIP C 0.10UF	K	C113			CK73GB1C105K	CHIP C 1.0UF	K
C16			CK73GB1C104K	CHIP C 0.10UF	K	C117			CK73GB1C105K	CHIP C 1.0UF	K
C17			CK73GB1C104K	CHIP C 0.10UF	K	C118			CK73GB1H103K	CHIP C 0.010UF	K
C18			CK73GB1C104K	CHIP C 0.10UF	K	C121			CK73GB1C104K	CHIP C 0.10UF	K
C19			CK73GB1C104K	CHIP C 0.10UF	K	C122			CK73GB1C104K	CHIP C 0.10UF	K
C20			CK73GB1C104K	CHIP C 0.10UF	K	C126			CK73GB1C104K	CHIP C 0.10UF	K
C21			CK73FB0J226M	CHIP C 22UF	M	C127			CK73GB1C104K	CHIP C 0.10UF	K
C22		*	C91-2327-08	CHIP C 47UF	K	C128			CK73GB1C104K	CHIP C 0.10UF	K
C23		*	C91-2327-08	CHIP C 47UF	K	C129			CK73GB1C104K	CHIP C 0.10UF	K
C24			CK73GB1C104K	CHIP C 0.10UF	K	C130			CK73GB1C104K	CHIP C 0.10UF	K
C25			CK73GB1C104K	CHIP C 0.10UF	K	C131			CK73GB1C104K	CHIP C 0.10UF	K
C26			CK73GB1C104K	CHIP C 0.10UF	K	C132			CK73GB1C104K	CHIP C 0.10UF	K
C31			CK73GB1H122K	CHIP C 1200PF	K	C133			CK73GB1C104K	CHIP C 0.10UF	K
C32			CK73GB1H122K	CHIP C 1200PF	K	C134			CK73GB1C104K	CHIP C 0.10UF	K
C48			CK73GB1C104K	CHIP C 0.10UF	K	C135			CK73GB1C104K	CHIP C 0.10UF	K
C50			CK73GB1C104K	CHIP C 0.10UF	K	C136			CK73GB1C104K	CHIP C 0.10UF	K
C51			CC73GCH1H040C	CHIP C 4.0PF	C	C137			CK73FB0J226M	CHIP C 22UF	M
C52			CC73GCH1H050C	CHIP C 5.0PF	C	C139			CK73FB0J226M	CHIP C 22UF	M
C60			CK73GB1H103K	CHIP C 0.010UF	K	C142			CK73GB1C104K	CHIP C 0.10UF	K
						C143		*	C91-2325-08	CHIP C 22UF	K

E1: DDX4028BT E2: DDX3028 (Europe) Q1: DDX4058BT Q2: DDX3058 (Russian)  
K: DDX418 K1: DDX318 (North America) R1: DDX4048BT R2: DDX3048 (Latin America)  
X1: DDX4038BT X2: DDX4038 (Australia) C1: DDX4038BT C2: DDX4038 (China)  
M1: DDX4038BT M2: DDX4038BTM M3: DDX4038 M4: DDX4038M (Other Areas)

△ Indicates safety critical components.

# PARTS LIST

## DVD UNIT

Ref. No.	A d d	N e w	Parts No.	Description	Desti- nation	Ref. No.	A d d	N e w	Parts No.	Description	Desti- nation
C145		*	C91-2328-08	CHIP C 47UF K		K108			L92-0658-08	FERRITE BEADS	
C148			CK73GB1H331K	CHIP C 330PF K		K110			L92-0658-08	FERRITE BEADS	
C149			CK73GB1C104K	CHIP C 0.10UF K		K111			L92-0658-08	FERRITE BEADS	
C151			CK73GB1C473K	CHIP C 0.047UF K		K112			L92-0658-08	FERRITE BEADS	
C155			CC73GCH1H101J	CHIP C 100PF J		K113			L92-0659-08	FERRITE BEADS	
C156			CK73GB1C104K	CHIP C 0.10UF K		K114			L33-2508-08	FERRITE BEADS	
C161			CK73GB1C104K	CHIP C 0.10UF K		K115			L33-2508-08	FERRITE BEADS	
C162			CK73GB1C104K	CHIP C 0.10UF K		K116			L92-0658-08	FERRITE BEADS	
C164			CK73GB1C105K	CHIP C 1.0UF K		K117			L33-2508-08	FERRITE BEADS	
C165			CK73GB1C104K	CHIP C 0.10UF K		K118			RK73GB2A000J	CHIP R 0.0 J 1/10W	
C168			C93-1507-08	CHIP C 2700PF K		K119			RK73GB2A000J	CHIP R 0.0 J 1/10W	
C170			CK73GB1C104K	CHIP C 0.10UF K		K120			RK73GB2A000J	CHIP R 0.0 J 1/10W	
C173			CK73GB1C104K	CHIP C 0.10UF K		K132			L33-2508-08	FERRITE BEADS	
C174			CK73GB1C104K	CHIP C 0.10UF K		K133			L33-2508-08	FERRITE BEADS	
C175		*	C91-2330-08	CHIP C 47UF K		K135			L33-2508-08	FERRITE BEADS	
C176			CK73GB1C104K	CHIP C 0.10UF K		K136			L33-2508-08	FERRITE BEADS	
C177			CK73GB1C104K	CHIP C 0.10UF K		K137			RK73GB2A000J	CHIP R 0.0 J 1/10W	
C178			CK73GB1C104K	CHIP C 0.10UF K		K141			RK73GB2A000J	CHIP R 0.0 J 1/10W	
C197			CK73GB1C104K	CHIP C 0.10UF K		K142			RK73GB2A000J	CHIP R 0.0 J 1/10W	
C199			CK73GB1C104K	CHIP C 0.10UF K		X351			L77-3808-08	CRYSTAL	
C200		*	C91-2327-08	CHIP C 47UF K		X354			L77-3816-08	CRYSTAL	
C201			CK73GB1C104K	CHIP C 0.10UF K		R36			RK73HH1J153D	CHIP R 15K D 1/16W	
C205			CK73FB1A225K	CHIP C 2.2UF K		R37			RK73HH1J153D	CHIP R 15K D 1/16W	
C206			CK73GB1H222K	CHIP C 2200PF K		R46			RK73HH1J103D	CHIP R 10K D 1/16W	
C211			CK73GB1C104K	CHIP C 0.10UF K		R47			RK73HH1J103D	CHIP R 10K D 1/16W	
C215			CC73GCH1H181J	CHIP C 180PF J		R49			RK73GB2A000J	CHIP R 0.0 J 1/10W	
C216			CK73GB1C104K	CHIP C 0.10UF K		R51			RK73GB2A000J	CHIP R 0.0 J 1/10W	
C218			CK73GB1C104K	CHIP C 0.10UF K		R52			RK73HH1J103D	CHIP R 10K D 1/16W	
C219			CK73GB1H223K	CHIP C 0.022UF K		R53			RK73HH1J103D	CHIP R 10K D 1/16W	
C220			CK73GB1H102K	CHIP C 1000PF K		R54			R92-5252-08	CHIP R 22 D 1/16W	
C222			CK73GB1C104K	CHIP C 0.10UF K		R55			R92-5252-08	CHIP R 22 D 1/16W	
C223			CK73GB1H102K	CHIP C 1000PF K		R56			RK73HH1J432D	CHIP R 4.3K D 1/16W	
C224			CK73FB1A225K	CHIP C 2.2UF K		R57			RK73HH1J242D	CHIP R 2.4K D 1/16W	
C225		*	C91-2330-08	CHIP C 47UF K		R58			R92-5433-08	CHIP R 39	
C228			CK73GB1H102K	CHIP C 1000PF K		R59			RK73GB2A2R2J	CHIP R 2.2 J 1/10W	
C229			CK73GB1H223K	CHIP C 0.022UF K		R60			RK73HH1J102D	CHIP R 1.0K D 1/16W	
C232		*	C91-2330-08	CHIP C 47UF K		R61			RK73HH1J471D	CHIP R 470 D 1/16W	
C233			CK73GB1C105K	CHIP C 1.0UF K		R62			RK73HH1J471D	CHIP R 470 D 1/16W	
C235			CK73GB1H102K	CHIP C 1000PF K		R64			RK73GH2A432D	CHIP R 4.3K D 1/10W	
C237			CK73GB1H221K	CHIP C 220PF K		R65			RK73GH2A242D	CHIP R 2.4K D 1/10W	
C238			CK73GB1C104K	CHIP C 0.10UF K		R66		*	R92-5557-08	CHIP R 27	
C240			CK73GB1C104K	CHIP C 0.10UF K		R67			RK73GB2A2R2J	CHIP R 2.2 J 1/10W	
C241			CK73GB1C104K	CHIP C 0.10UF K		R68			RK73HH1J102D	CHIP R 1.0K D 1/16W	
C251			RK73GB2A000J	CHIP R 0.0 J 1/10W		R69			RK73GB2A471J	CHIP R 470 J 1/10W	
C252			RK73GB2A000J	CHIP R 0.0 J 1/10W		R70			RK73HH1J471D	CHIP R 470 D 1/16W	
CN1			E41-3117-08	FFC/FPC CONNE		R79			RK73HH1J104D	CHIP R 100K D 1/16W	
CN2			E41-1487-05	W TO B CONNE		R83			RK73HH1J103D	CHIP R 10K D 1/16W	
CN101		*	E41-3315-08	FFC/FPC CONNE		R87			RK73GB2A103J	CHIP R 10K J 1/10W	
CN403		*	E41-3319-08	FFC/FPC CONNE		R89			RK73GB2A103J	CHIP R 10K J 1/10W	
K101			L92-0657-08	FERRITE BEADS		R90			RK73HH1J103D	CHIP R 10K D 1/16W	
K102			L92-0657-08	FERRITE BEADS		R92			RK73GB2A473J	CHIP R 47K J 1/10W	
K103			L92-0659-08	FERRITE BEADS		R93			RK73HH1J222D	CHIP R 2.2K D 1/16W	
K104			L92-0659-08	FERRITE BEADS		R94			RK73HH1J222D	CHIP R 2.2K D 1/16W	
K105			RK73GB2A000J	CHIP R 0.0 J 1/10W		R99			RK73GB2A000J	CHIP R 0.0 J 1/10W	

E1: DDX4028BT E2: DDX3028 (Europe) Q1: DDX4058BT Q2: DDX3058 (Russian)  
 K: DDX418 K1: DDX318 (North America) R1: DDX4048BT R2: DDX3048 (Latin America)  
 X1: DDX4038BT X2: DDX4038 (Australia) C1: DDX4038BT C2: DDX4038 (China)  
 M1: DDX4038BT M2: DDX4038BTM M3: DDX4038 M4: DDX4038M (Other Areas)

△ Indicates safety critical components.

# PARTS LIST

## DVD UNIT

Ref. No.	Add	New	Parts No.	Description	Destination	Ref. No.	Add	New	Parts No.	Description	Destination
R100			RK73HH1J103D	CHIP R 10K D 1/16W		R242			RK73GB2A000J	CHIP R 0.0 J 1/10W	
R105			RK73GB2A000J	CHIP R 0.0 J 1/10W		R248			RK73GB2A000J	CHIP R 0.0 J 1/10W	
R107			RK73GB2A152J	CHIP R 1.5K J 1/10W		R250			RK73GB2A000J	CHIP R 0.0 J 1/10W	
R112			RK73GB2A000J	CHIP R 0.0 J 1/10W		R252			RK73GB2A000J	CHIP R 0.0 J 1/10W	
R113			RK73GB2A000J	CHIP R 0.0 J 1/10W		R253			RK73GB2A000J	CHIP R 0.0 J 1/10W	
R114			RK73GB2A103J	CHIP R 10K J 1/10W		R254			RK73GB2A000J	CHIP R 0.0 J 1/10W	
R117			RK73HH1J103D	CHIP R 10K D 1/16W		R255			RK73GB2A000J	CHIP R 0.0 J 1/10W	
R118			RK73HH1J101D	CHIP R 100 D 1/16W		R258			RK73GB2A000J	CHIP R 0.0 J 1/10W	
R119			RK73GH2A471D	CHIP R 470 D 1/10W		R259			RK73GB2A000J	CHIP R 0.0 J 1/10W	
R120			RK73GB2A152J	CHIP R 1.5K J 1/10W		R260			RK73GB2A103J	CHIP R 10K J 1/10W	
R122			RK73HH1J103D	CHIP R 10K D 1/16W		R265			RK73HH1J103D	CHIP R 10K D 1/16W	
R128			RK73HH1J270D	CHIP R 27 D 1/16W		R267			RK73HH1J472D	CHIP R 4.7K D 1/16W	
R129			RK73HH1J103D	CHIP R 10K D 1/16W		R268			RK73GB2A000J	CHIP R 0.0 J 1/10W	
R131			RK73HH1J102D	CHIP R 1.0K D 1/16W		R270			RK73GB2A000J	CHIP R 0.0 J 1/10W	
R132			RK73HH1J102D	CHIP R 1.0K D 1/16W		R272			RK73GB2A000J	CHIP R 0.0 J 1/10W	
R133			RK73HH1J223D	CHIP R 22K D 1/16W		R273			RK73GB2A000J	CHIP R 0.0 J 1/10W	
R134			RK73HH1J104D	CHIP R 100K D 1/16W		R275			RK73GB2A000J	CHIP R 0.0 J 1/10W	
R136			RK73GB2A000J	CHIP R 0.0 J 1/10W		R303			R92-5429-08	CHIP R 0.18	
R137			RK73GB2A000J	CHIP R 0.0 J 1/10W		R305			R92-5249-08	CHIP R 33 F	
R141			RK73GH2A332D	CHIP R 3.3K D 1/10W		R306			R92-5249-08	CHIP R 33 F	
R142			RK73GB2A000J	CHIP R 0.0 J 1/10W		R309			R92-3352-05	CHIP R 0.47 J 1/2W	
R144			RK73HH1J103D	CHIP R 10K D 1/16W		R310			RK73HH1J333D	CHIP R 33K D 1/16W	
R145			RK73HH1J103D	CHIP R 10K D 1/16W		R311			RK73GB2A391J	CHIP R 390 J 1/10W	
R152			RK73GB2A000J	CHIP R 0.0 J 1/10W		R318			RK73GB2A203J	CHIP R 20K J 1/10W	
R153		*	R92-5561-08	CHIP R 1.6K D		R319			RK73HH1J622D	CHIP R 6.2K D 1/16W	
R154			RK73GB2A000J	CHIP R 0.0 J 1/10W		R323			RK73HH1J391D	CHIP R 390 D 1/16W	
R156			RK73GB2A000J	CHIP R 0.0 J 1/10W		R324			RK73GH2A682D	CHIP R 6.8K D 1/10W	
R160			RK73GH2A303D	CHIP R 30K D 1/10W		R325			RK73GH2A753D	CHIP R 75K D 1/10W	
R163			RK73HH1J103D	CHIP R 10K D 1/16W		R329			R92-3352-05	CHIP R 0.47 J 1/2W	
R164			RK73GB2A181J	CHIP R 180 J 1/10W		R352			RK73HH1J102D	CHIP R 1.0K D 1/16W	
R165			RK73HH1J473D	CHIP R 47K D 1/16W		R357			R92-3099-05	CHIP R 0.22 J 1/2W	
R166			RK73HH1J473D	CHIP R 47K D 1/16W		R359			RK73HH1J243D	CHIP R 24K D 1/16W	
R168			RK73HH1J473D	CHIP R 47K D 1/16W		R362			RK73GB2A103J	CHIP R 10K J 1/10W	
R170			RK73HH1J151D	CHIP R 150 D 1/16W		R364			RK73GB2A391J	CHIP R 390 J 1/10W	
R171			RK73GB2A105J	CHIP R 1.0M J 1/10W		R365			RK73HH1J103D	CHIP R 10K D 1/16W	
R172			RK73HH1J101D	CHIP R 100 D 1/16W		R366			R92-3099-05	CHIP R 0.22 J 1/2W	
R173			RK73HH1J101D	CHIP R 100 D 1/16W		R367			RK73HH1J104D	CHIP R 100K D 1/16W	
R174			RK73HH1J101D	CHIP R 100 D 1/16W		R369			R92-3099-05	CHIP R 0.22 J 1/2W	
R177			RK73GB2A000J	CHIP R 0.0 J 1/10W		R371			RK73GB2A000J	CHIP R 0.0 J 1/10W	
R178			RK73GB2A000J	CHIP R 0.0 J 1/10W		R375			RK73HH1J152D	CHIP R 1.5K D 1/16W	
R189			RK73HH1J331D	CHIP R 330 D 1/16W		R376			RK73HH1J822D	CHIP R 8.2K D 1/16W	
R190			RK73HH1J331D	CHIP R 330 D 1/16W		R379			RK73GH2A332D	CHIP R 3.3K D 1/10W	
R195			RK73HH1J102D	CHIP R 1.0K D 1/16W		R380			RK73GB2A223J	CHIP R 22K J 1/10W	
R211			RK73HH1J473D	CHIP R 47K D 1/16W		R382			RK73HH1J102D	CHIP R 1.0K D 1/16W	
R213			RK73GB2A100J	CHIP R 10 J 1/10W		R383			RK73GB2A223J	CHIP R 22K J 1/10W	
R215			RK73GH2A122D	CHIP R 1.2K D 1/10W		R384			RK73HH1J104D	CHIP R 100K D 1/16W	
R216			RK73GH2A122D	CHIP R 1.2K D 1/10W		R386			RK73HH1J184D	CHIP R 180K D 1/16W	
R217			RK73HH1J100D	CHIP R 10 D 1/16W		R387			RK73GH2A473D	CHIP R 47K D 1/10W	
R219			RK73GB2A150J	CHIP R 15 J 1/10W		R391			RK73HH1J822D	CHIP R 8.2K D 1/16W	
R220			RK73GB2A000J	CHIP R 0.0 J 1/10W		R392			RK73GB2A103J	CHIP R 10K J 1/10W	
R226			RK73HH1J473D	CHIP R 47K D 1/16W		R393			RK73HH1J103D	CHIP R 10K D 1/16W	
R229			RK73GB2A000J	CHIP R 0.0 J 1/10W		R394			RK73GB2A393J	CHIP R 39K J 1/10W	
R233			RK73HH1J103D	CHIP R 10K D 1/16W		R397			RK73HH1J101D	CHIP R 100 D 1/16W	
R240			RK73GB2A000J	CHIP R 0.0 J 1/10W		R400			RK73HH1J153D	CHIP R 15K D 1/16W	
R241			RK73GB2A000J	CHIP R 0.0 J 1/10W		R402			RK73HH1J473D	CHIP R 47K D 1/16W	

E1: DDX4028BT E2: DDX3028 (Europe) Q1: DDX4058BT Q2: DDX3058 (Russian)  
K: DDX418 K1: DDX318 (North America) R1: DDX4048BT R2: DDX3048 (Latin America)  
X1: DDX4038BT X2: DDX4038 (Australia) C1: DDX4038BT C2: DDX4038 (China)  
M1: DDX4038BT M2: DDX4038BTM M3: DDX4038 M4: DDX4038M (Other Areas)

△ Indicates safety critical components.

# PARTS LIST

\* If replacing DVD unit IC481, it is necessary to update to the region code that supports the set's destination.

## DVD UNIT

Ref. No.	A d d	N e w	Parts No.	Description	Desti- nation
R403			RK73GB2A101J	CHIP R 100 J 1/10W	
R406			R92-3099-05	CHIP R 0.22 J 1/2W	
R417			RK73GB2A333J	CHIP R 33K J 1/10W	
R419			RK73GH2A104D	CHIP R 100K D 1/10W	
R420			RK73HH1J184D	CHIP R 180K D 1/16W	
S1			S74-0829-08	DETECT SWITCH	
D6			AN1102W-6-X	IR LED	
D7			AN1102W-6-X	IR LED	
D9			PS1192HB-22-X	OPT TRANSMITTER	
D11			PS1192HB-22-X	OPT TRANSMITTER	
IC1			BD8215EFV-X	IC	
IC3			MM3233CF-X	IC	
IC7			TC7PA53FU-X	IC	
IC8			MF1341S2162-X	IC	
IC9			RT3CLLM/EF/-X	PAIR TRANSISTOR	
IC10			RT3K11M-X	MOS FET ARRAY	
IC301			MN2DS0018MA	IC	
IC302			MM1701CH-X	IC	
IC308			NUJ6368PF1-X	IC	
IC398		*	LVOU04678-01B	PROGRAMED IC	
IC399			M12L1281687TG2	IC (DIGITAL)	
IC400			AK4387ET-X	IC	
IC481			R1EX24032ATAA	IC	
IC501			TC74LCX373FT-X	IC (DIGITAL)	
IC502			TC74LCX373FT-X	IC (DIGITAL)	
Q2			RT1N141U-X	DIGI TRANSISTOR	
Q4		*	DSC2001/R/-X	TRANSISTOR	
Q7		*	DSC2001/R/-X	TRANSISTOR	
Q101			2SB1424(Q,R)	TRANSISTOR	
Q103			2SB1424(Q,R)	TRANSISTOR	
Q105			2SC4617	TRANSISTOR	
Q301			RT1N441U-X	DIGI TRANSISTOR	
Q302			RT1N441U-X	DIGI TRANSISTOR	
Q304			RT1N441U-X	DIGI TRANSISTOR	

Ref. No.	A d d	N e w	Parts No.	Description	Desti- nation
21			D13-3002-08	GEAR	
22			D13-3003-08	GEAR	
23			D13-3004-08	GEAR	
24			D13-3005-08	GEAR	
25			D13-3006-08	GEAR	
26			J22-0883-08	GEAR BASE	
27			N09-6778-08	SPECIAL SCREW	
28			D10-7065-08	SLIDE CAM ASSY	
29			G01-4716-08	T COIL SPRING	
30			A10-5515-08	CHASSIS	
31			J30-1096-08	SPACER	
32			J22-0909-08	DISC PLATE 2	
33			E39-1099-08	WIRING HARNESS	
34			N09-6782-08	SPECIAL SCREW	
35			D10-7096-08	LOADING ARM AS	
36			D14-1035-08	ROLLER	
37			D21-2534-08	SHAFT	
38			J22-0885-08	SHAFT GUIDE	
39			N29-0544-08	WASHER	
40			N29-0542-08	RETAINING RING	
41			J31-1082-08	COLLAR	
42			J31-1087-08	COLLAR	
43			D10-7097-08	ARM	
44			D13-3007-08	GEAR	
45			D13-3008-08	GEAR	
46			N29-0543-08	RETAINING RING	
47			D13-3009-08	GEAR	
48			G01-4748-08	T COIL SPRING	
49			N09-6778-08	SPECIAL SCREW	
50		2B	* D40-2239-08	TRA MECHA UNIT	
51			G01-4718-08	T COIL SPRING	
52			J30-1099-08	SPACER (P)	
53			N09-6778-08	SPECIAL SCREW	
VM1			3A T42-1356-08	DC MOTOR	

## DVD MECHANISM ASSY (D40-2240-08) (FMU-XM2-21D)

1	2B		A10-5568-08	FRAME UNIT	
2	3B		J22-0881-08	STOPPER	
3	3B		N09-6779-08	SPECIAL SCREW	
4	3B		G01-4747-08	T COIL SPRING	
5	3B		G01-4711-08	T COIL SPRING	
6	3B		N09-6778-08	SPECIAL SCREW	
7	2B		D39-0283-08	DAMPER	
8	2B		D39-0284-08	DAMPER	
9	2B		G01-4712-08	T COIL SPRING	
10	2B		G01-4713-08	T COIL SPRING	
11	3B		G01-4714-08	T COIL SPRING	
12	2B		G01-4715-08	T COIL SPRING	
13	2A		J22-0882-08	MOTOR HOLDER	
14	3A		N09-6780-08	SPECIAL SCREW	
16	2A		N09-6781-08	SPECIAL SCREW	
17	3B		G02-1598-08	FLAT SPRING	
18	2A		D13-2499-08	GEAR	
19	2A		D13-2500-08	GEAR	
20	2A		D13-3001-08	GEAR	

E1: DDX4028BT E2: DDX3028 (Europe) Q1: DDX4058BT Q2: DDX3058 (Russian)  
 K: DDX418 K1: DDX318 (North America) R1: DDX4048BT R2: DDX3048 (Latin America)  
 X1: DDX4038BT X2: DDX4038 (Australia) C1: DDX4038BT C2: DDX4038 (China)  
 M1: DDX4038BT M2: DDX4038BTM M3: DDX4038 M4: DDX4038M (Other Areas)

△ Indicates safety critical components.