

NO.	PART NO.	DESCRIPTION	Q'TY
1	074-1087-12	OUTLET SOCKET	1
2	074-1013-30	OUTLET SOCKET(12P)	1
3	074-0898-18	OUTLET SOCKET(18P)	1
4	074-0898-06	OUTLET SOCKET(6P)	1
5	331-3257-02	CONNECTOR HOLDER B	1
6	331-2025-11	CONNECTOR HOLDER A	1
7	331-3236-02	MECH-BRKT	1
8	331-3237-01	MECH-BRKT	1
9	331-3239-11	REAR PLATE (WITH ANT RECEPT.)	1
10	076-0648-18	PLUG(18P)	1
11	347-6595-01	INSULATOR	1
12	074-1141-00	OUTLET SOCKET	1
13	076-0509-20	PLUG(20P)	1
14	074-1192-22	OUTLET SOCKET(22P)	1
15	076-0368-18	PLUG(18P)	1
16	076-0368-06	PLUG(6P)	1
17	716-1494-50	IT SCREW(M2.6 x 6)	2
18	-----	SWITCH PWB	1
19	816-2563-10	FLAT WIRE	1
20	311-1834-03	LOWER CASE	1
21	331-3468-00	ES-PLATE	1
22	331-3258-02	SIDE PLATE	1
23	331-3259-02	SIDE PLATE	1

NO.	PART NO.	DESCRIPTION	Q'TY
24	714-2605-8B	MACHINE SCREW(M2.6 x 5)	25
25	714-2004-8H	MACHINE SCREW(M2 x 4)	1
26	930-0794-81	TAPE MECHANISM	1
27	929-0196-89	CD CHANGER MODULE	1
28	347-6623-01	SPACER	1
29	286-6648-01 286-6648-03	SETPLATE(PP2546LD) SETPLATE(PP2546LG)	1
30	335-6788-01	MOLDET PART	1
31	940-8108-84 940-8108-86	ES-ASSY(PP2546LD) ES-ASSY(PP2546LG)	1
32	380-5567-82	KNOB	1
33	716-0778-50	WAVE SCREW(2 x 6)	10
34	880-1921T	FM/AM TUNER	1
35	331-4088-00	LCD COVER	1
36	335-7730-01	LCD LEFLECTOR	1
37	379-1341-31	INDICATOR	1
38	335-6804-81	LCD HOLDER	1
39	074-1279-68	OUTLET SOCKET(18P)	1
40	001-7080-91	LED(SML-512WWT864:YEL)	14
41	001-7063-96	LED(RAY1102W:YEL)	26
42	013-7415-50	DETECTOR SWITCH	1
43	013-6311-50	SWITCH	21
44	016-0013-04	ROTARY ENCODER	1
45	-----	MAIN PWB	1

ELECTRICAL PARTS LIST

Main PWB(B1) section

Note) Some parts depend on each model. The model name is specified in the description.

REF No.	PART No.	DESCRIPTION	REF No.	PART No.	DESCRIPTION	REF No.	PART No.	DESCRIPTION
ANT101	331-3239-11	REAR PLATE WITH ANT RECEPT.	C417	166-1011-50	100pF CH	C731	042-1548-52	10V 220uF
BL101	880-1921T	AM/FM TUNER	C420	163-4763-15	6.3V 47uF	C732	042-1548-52	10V 220uF
C101	166-1511-50	150pF CH	C421	168-1042-78	16V 0.1uF	C733	042-1548-52	10V 220uF
C115	166-1007-50	10pF CH	C422	168-1022-55	1000pF K	C734	042-1548-52	10V 220uF
C121	188-1073-28	10V 100uF	C423	168-1042-78	16V 0.1uF	C737	042-1548-52	10V 220uF
C122	043-0277-51	0.022uF	C424	168-1032-55	0.01uF K	C740	163-4763-35	16V 47uF
C124	168-1042-78	16V 0.1uF	C427	168-1042-78	16V 0.1uF	C743	042-0592-58	16V 10uF
C125	188-1073-28	10V 100uF	C461	178-1052-78	1uF	C744	163-2273-25	10V 220uF
C127	166-1011-50	100pF CH	C501	168-1042-78	16V 0.1uF	C745	166-2201-50	22pF CH
C128	166-1011-50	100pF CH	C502	188-1073-28	10V 100uF	C1001	042-1562-17	16V 10uF
C129	168-1042-78	16V 0.1uF	C503	188-1063-38	16V 10uF	C1002	042-1562-17	16V 10uF
C130	188-1073-28	10V 100uF	C504	163-1073-35	16V 100uF	C1003	042-1562-17	16V 10uF
C132	178-1052-78	1uF	C505	168-1042-78	16V 0.1uF	C1004	042-1562-17	16V 10uF
C133	168-1832-55	0.018uF K	C506	163-1073-35	16V 100uF	C1006	168-1022-55	1000pF K
C134	042-1458-90	50V 1uF LN	C507	163-1073-35	16V 100uF	C1007	168-2232-55	0.022uF K
C135	188-4763-38	16V 47uF	C508	163-1073-35	16V 100uF	C1010	168-1022-55	1000pF K
C136	043-0277-51	0.022uF	C509	042-0416-57	10V 47uF M TAN	C1011	168-1022-55	1000pF K
C138	168-1022-55	1000pF K	C510	168-1042-78	16V 0.1uF	C1012	188-1066-38	16V 10uF NP
C140	188-4763-38	16V 47uF	C511	163-1073-35	16V 100uF	C1013	188-1066-38	16V 10uF NP
C141	168-2232-55	0.022uF K	C512	168-1042-78	16V 0.1uF	C1014	188-1066-38	16V 10uF NP
C142	166-1011-50	100pF CH	C516	178-1042-78	0.1uF	C1015	188-1066-38	16V 10uF NP
C143	166-1011-50	100pF CH	C517	042-0595-62	16V 10uF	CCT401	050-0122-50	1/10W 10k ohm x4 J
C144	166-1011-50	100pF CH	C601	168-2222-55	2200pF K	CCT402	050-0140-54	1/32W 1k ohm x4J
C145	166-1011-50	100pF CH	C602	168-2222-55	2200pF K	CCT403	050-0140-54	1/32W 1k ohm x4J
C147	168-2732-55	16V 0.027uF K	C603	168-2222-55	2200pF K	CCT404	050-0140-54	1/32W 1k ohm x4J
C148	168-2732-55	16V 0.027uF K	C604	168-2222-55	2200pF K	CCT405	050-0140-54	1/32W 1k ohm x4J
C149	178-1242-78	0.12uF	C605	168-2222-55	2200pF K	CCT406	050-0140-54	1/32W 1k ohm x4J
C150	178-1242-78	0.12uF	C606	168-2222-55	2200pF K	CCT407	050-0140-54	1/32W 1k ohm x4J
C151	166-1801-50	18pF CH	C607	168-2222-55	2200pF K	CCT408	050-0140-54	1/32W 1k ohm x4J
C152	168-4722-55	4700pF K	C608	168-2222-55	2200pF K	CCT409	050-0140-54	1/32W 1k ohm x4J
C153	166-1201-50	12pF CH	C609	168-2222-55	2200pF K	CCT411	050-0140-54	1/32W 1k ohm x4J
C155	166-2201-50	22pF CH	C610	168-2222-55	2200pF K	CCT412	050-0140-54	1/32W 1k ohm x4J
C156	166-2201-50	22pF CH	C611	172-1041-15	0.1uF	CCT413	050-0140-54	1/32W 1k ohm x4J
C157	168-1042-78	16V 0.1uF	C612	042-1551-02	16V 1000uF	CCT414	050-0140-54	1/32W 1k ohm x4J
C158	166-2201-50	22pF CH	C613	188-1053-68	50V 1uF	CCT415	050-0140-54	1/32W 1k ohm x4J
C159	168-1022-55	1000pF K	C614	172-1041-15	0.1uF	CCT416	050-0140-54	1/32W 1k ohm x4J
C301	178-4742-78	0.47uF	C615	187-1053-67	50V 1uF	CCT417	050-0140-54	1/32W 1k ohm x4J
C305	163-2263-15	6.3V 22uF	C619	119-0000-05	1/10W 0 ohm JW	D400	001-0516-90	MA111
C307	042-0592-73	50V 1uF	C620	168-2232-55	0.022uF K	D401	001-0516-90	MA111
C308	042-0592-73	50V 1uF	C663	168-1042-78	16V 0.1uF	D402	001-0529-44	MA8082-M
C311	042-0592-73	50V 1uF	C664	163-1063-35	16V 10uF	D406	001-0535-90	MA729
C312	042-0592-73	50V 1uF	C701	188-1053-68	50V 1uF	D501	001-0504-49	HZS9 C3L
C316	042-0592-73	50V 1uF	C702	163-1053-65	50V 1uF	D502	001-0504-48	HZS9 C2L
C317	042-0592-73	50V 1uF	C703	168-6822-55	6800pF K	D503	001-0466-90	S5688B
C323	178-1842-78	0.18uF	C704	168-2232-55	0.022uF K	D506	001-0504-48	HZS9 C2L
C324	178-1842-78	0.18uF	C705	042-0592-58	16V 10uF	D602	001-0529-34	MA8062-L
C325	178-1842-78	0.18uF	C706	042-0592-58	16V 10uF	D603	001-0466-90	S5688B
C326	178-1842-78	0.18uF	C707	042-0592-58	16V 10uF	D605	001-0466-90	S5688B
C327	168-8212-55	820pF K	C708	042-0592-58	16V 10uF	D607	001-2015-00	RL253
C328	168-8212-55	820pF K	C709	168-5612-55	560pF Z	D608	001-0466-90	S5688B
C329	168-8212-55	820pF K	C710	168-5612-55	560pF Z	D611	001-0516-90	MA111
C330	168-8212-55	820pF K	C711	166-5601-50	56pF CH	D703	001-0356-91	1SS184
C331	042-0592-58	16V 10uF	C712	166-5601-50	56pF CH	D1002	001-4305-39	UDZSTE-17 36B
C332	042-0592-58	16V 10uF	C713	166-2201-50	22pF CH	D1003	001-0529-44	MA8082-M
C333	168-1832-55	0.018uF K	C714	166-2201-50	22pF CH	D1006	001-0516-90	MA111
C401	168-1042-78	16V 0.1uF	C715	166-2201-50	22pF CH	D1007	001-0516-90	MA111
C402	168-1042-78	16V 0.1uF	C716	166-2201-50	22pF CH	D1050	001-0466-90	S5688B
C403	168-1042-78	16V 0.1uF	C717	166-5601-50	56pF CH	IC104	051-6212-08	LC72191JM-TLM
C404	168-1042-78	16V 0.1uF	C718	166-5601-50	56pF CH	IC302	051-5027-00	LC75412WH
C405	042-1505-82	16V 10uF	C719	166-5601-50	56pF CH	IC401	051-1014-08	TA7291FG-EL
C406	168-1042-78	16V 0.1uF	C720	166-5601-50	56pF CH	IC402	051-9400-48	S93C46AFJ
C407	168-1042-78	16V 0.1uF	C721	166-2201-50	22pF CH	IC403	051-3034-90	NJM4558V
C409	168-2232-55	0.022uF K	C722	166-2201-50	22pF CH	IC404	052-3174-20	M30624MGA-EM3GP
C410	168-1042-78	16V 0.1uF	C723	166-2201-50	22pF CH	IC405	051-5436-08	S-80933CNMC-G83(ANMP-DDX)
C411	168-6822-55	6800pF K	C724	166-2201-50	22pF CH	IC501	051-3341-90	BD3931FP
C412	166-1011-50	100pF CH	C725	166-5601-50	56pF CH	IC601	051-5418-08	S-80827ANMP-EDQ
C413	166-1011-50	100pF CH	C726	166-5601-50	56pF CH	IC701	051-1407-00	NJM4556AL
C414	166-1011-50	100pF CH	C727	042-1548-52	10V 220uF	IC702	051-1407-00	NJM4556AL
C415	166-1011-50	100pF CH	C728	042-1548-52	10V 220uF	IC703	051-1407-00	NJM4556AL
C416	166-1011-50	100pF CH	C729	042-1548-52	10V 220uF			
			C730	042-1548-52	10V 220uF			

REF No.	PART No.	DESCRIPTION	REF No.	PART No.	DESCRIPTION	REF No.	PART No.	DESCRIPTION
IC704	051-1407-00	NJM4556AL	R130	119-1031-15	1/10W 10k ohm	R448	032-0140-64	1/10W 43k ohm F (PP2546LG)
IC705	051-3020-90	NJM4565V	R131	119-1031-15	1/10W 10k ohm	R449	032-0140-03	1/10W 220k ohm F (PP2546LD)
IC707	051-3020-90	NJM4565V	R132	119-4721-15	1/10W 4.7k ohm	R449	032-0140-64	1/10W 43k ohm F (PP2546LG)
J401	076-0509-20	20P	R133	119-1021-15	1/10W 1k ohm	R450	032-0140-57	1/10W 5.6k ohm F (PP2546LD)
J402	074-1192-22	22P	R134	119-2221-15	1/10W 2.2k ohm	R450	032-0140-89	1/10W 47k ohm F (PP2546LG)
J403	076-0648-18	18P	R135	119-1021-15	1/10W 1k ohm	R451	032-0140-57	1/10W 5.6k ohm F (PP2546LD)
J601	074-1141-00	NS10+6	R136	119-1021-15	1/10W 1k ohm	R451	032-0140-89	1/10W 47k ohm F (PP2546LG)
J1001	074-1087-12	OUTLET SOCKET	R137	116-2701-15	1/4W 27 ohm	R452	119-1031-15	1/10W 10k ohm
J1002	074-1013-30	OUTLET SOCKET(A12MW)	R140	119-4721-15	1/10W 4.7k ohm	R453	119-4731-15	1/10W 47k ohm
L104	010-2003-04	30uH	R141	119-4731-15	1/10W 4.7k ohm	R458	119-4731-15	1/10W 47k ohm
L106	010-6009-76	22uH J	R144	119-0000-05	1/10W 0 ohm JW	R459	119-4731-15	1/10W 47k ohm
L401	010-3407-66	22uH J	R151	119-1021-15	1/10W 1k ohm	R460	119-1041-15	1/10W 100k ohm
L601	010-8028-00	520uH	R310	119-2731-15	1/10W 27k ohm	R461	119-1031-15	1/10W 10k ohm
P201	076-0368-18	18P	R311	119-2731-15	1/10W 27k ohm	R463	119-4731-15	1/10W 47k ohm
P202	076-0368-06	PLUG 6P	R312	119-2731-15	1/10W 27k ohm	R466	119-6821-15	1/10W 6.8k ohm
P1001	074-0898-18	18P	R313	119-2731-15	1/10W 27k ohm	R469	119-4731-15	1/10W 47k ohm
P1002	074-0898-06	6P OUTLET SOCKET	R320	119-2731-15	1/10W 27k ohm	R470	119-1031-15	1/10W 10k ohm
Q105	192-2712-51	2SC2712 G,L	R321	119-2731-15	1/10W 27k ohm	R471	119-4731-15	1/10W 47k ohm
Q106	125-2005-91	UN2211	R351	119-4721-15	1/10W 4.7k ohm	R472	119-1021-15	1/10W 1k ohm
Q107	192-2712-51	2SC2712 G,L	R352	119-4721-15	1/10W 4.7k ohm	R474	119-0000-05	1/10W 0 ohm JW
Q109	190-1298-00	2SA1298	R355	119-4721-15	1/10W 4.7k ohm	R475	119-0000-05	1/10W 0 ohm JW
Q111	190-1298-00	2SA1298	R356	119-4721-15	1/10W 4.7k ohm	R476	119-1021-15	1/10W 1k ohm
Q401	125-2004-96	RN1406	R401	119-1031-15	1/10W 10k ohm	R477	119-1031-15	1/10W 10k ohm
Q402	190-1428-00	2SA1428	R402	119-1031-15	1/10W 10k ohm	R478	119-1031-15	1/10W 10k ohm
Q403	125-0006-90	UN2110	R403	116-1221-15	1/4W 1.2k ohm	R479	119-1021-15	1/10W 1k ohm
Q404	125-2005-91	UN2211	R404	116-1221-15	1/4W 1.2k ohm	R480	119-1021-15	1/10W 1k ohm
Q405	191-0709-00	2SB709A Q,R,S	R405	119-1031-15	1/10W 10k ohm	R492	119-4731-15	1/10W 47k ohm
Q406	125-2005-91	UN2211	R406	116-1001-15	1/4W 10 ohm	R493	119-4731-15	1/10W 47k ohm
Q407	125-2005-91	UN2211	R407	116-1001-15	1/4W 10 ohm	R494	119-4731-15	1/10W 47k ohm
Q408	125-0006-90	UN2110	R408	116-1001-15	1/4W 10 ohm	R495	119-1031-15	1/10W 10k ohm
Q415	125-2005-91	UN2211	R409	116-1001-15	1/4W 10 ohm	R496	119-5631-15	1/10W 56k ohm
Q416	193-0601-00	2SD601A	R410	119-2221-15	1/10W 2.2k ohm	R501	111-2211-98	1/4W 220 ohm
Q417	193-0601-00	2SD601A	R411	119-4731-15	1/10W 47k ohm	R502	116-3911-15	1/4W 390 ohm
Q418	125-0001-91	UN2111	R412	119-4731-15	1/10W 47k ohm	R503	119-1031-15	1/10W 10k ohm
Q501	103-2353-00	2SD2353	R413	119-4731-15	1/10W 47k ohm	R504	116-1011-15	1/4W 100 ohm
Q502	193-2118-00	2SD2118F5 Q,R,S	R415	119-4731-15	1/10W 47k ohm	R505	119-4721-15	1/10W 4.7k ohm
Q503	193-1858-00	2SD1858	R416	119-4731-15	1/10W 47k ohm	R506	119-3321-15	1/10W 3.3k ohm
Q504	125-9003-92	IMD3	R417	119-1021-15	1/10W 1k ohm	R507	119-1031-15	1/10W 10k ohm
Q505	125-2005-91	UN2211	R419	119-4731-15	1/10W 47k ohm	R511	119-1041-15	1/10W 100k ohm
Q506	190-1048-00	2SA1048	R420	119-6821-15	1/10W 6.8k ohm	R512	116-2211-15	1/4W 220 ohm
Q508	125-9003-92	IMD3	R421	119-4731-15	1/10W 47k ohm	R513	119-1041-15	1/10W 100k ohm
Q512	103-2012-00	2SD2012	R422	119-1031-15	1/10W 10k ohm	R514	119-1031-15	1/10W 10k ohm
Q513	125-2004-92	RN1402	R423	119-4731-15	1/10W 47k ohm	R515	119-1021-15	1/10W 1k ohm
Q514	190-1298-00	2SA1298	R424	119-0000-05	1/10W 0 ohm JW	R601	119-4741-15	1/10W 470k ohm
Q601	125-9003-92	IMD3	R425	119-4731-15	1/10W 47k ohm	R602	119-2741-15	1/10W 270k ohm
Q603	193-0601-00	2SD601A	R426	119-1531-15	1/10W 15k ohm	R603	116-2721-15	1/4W 2.7k ohm
Q617	125-2004-96	RN1406	R427	119-3311-15	1/10W 330 ohm	R605	119-1031-15	1/10W 10k ohm
Q618	131-1188-00	2SB1188	R428	119-1021-15	1/10W 1k ohm	R606	119-5611-15	1/10W 560 ohm
Q701	193-0601-00	2SD601A	R429	119-1021-15	1/10W 1k ohm	R610	116-8211-15	1/4W 820 ohm
Q703	193-0601-00	2SD601A	R430	119-3311-15	1/10W 330 ohm	R611	116-8211-15	1/4W 820 ohm
Q704	191-0709-00	2SB709A Q,R,S	R431	119-4731-15	1/10W 47k ohm	R612	116-8211-15	1/4W 820 ohm
Q705	191-0709-00	2SB709A Q,R,S	R432	119-4731-15	1/10W 47k ohm	R616	116-1531-15	1/4W 15k ohm
Q706	191-0709-00	2SB709A Q,R,S	R433	119-4731-15	1/10W 47k ohm	R617	116-4791-15	1/4W 4.7 ohm
Q707	191-0709-00	2SB709A Q,R,S	R434	119-2231-15	1/10W 22k ohm	R620	119-4731-15	1/10W 47k ohm
Q1001	125-0001-91	UN2111	R435	119-4731-15	1/10W 47k ohm	R621	119-4731-15	1/10W 47k ohm
Q1003	193-0601-00	2SD601A	R436	119-2231-15	1/10W 22k ohm	R623	119-4731-15	1/10W 47k ohm
Q1006	125-2005-91	UN2211	R437	032-0140-52	1/10W 33k ohm F	R626	119-4731-15	1/10W 47k ohm
Q1007	125-9006-90	IMX1	R438	119-2231-15	1/10W 22k ohm	R628	119-4731-15	1/10W 47k ohm
Q1050	125-2005-91	UN2211	R439	032-0140-63	1/10W 27k ohm F (PP2546LG)	R629	116-4791-15	1/4W 4.7 ohm
R100	119-0000-05	1/10W 0 ohm JW	R439	032-0140-89	1/10W 47k ohm F (PP2546LD)	R655	119-1031-15	1/10W 10k ohm
R112	119-4741-15	1/10W 470k ohm	R440	119-4731-15	1/10W 47k ohm	R656	116-1221-15	1/4W 1.2k ohm
R113	119-2221-15	1/10W 2.2k ohm	R442	119-1021-15	1/10W 1k ohm	R657	116-1091-15	1/4W 1 ohm
R117	119-4721-15	1/10W 4.7k ohm	R443	119-1031-15	1/10W 10k ohm	R701	119-4731-15	1/10W 47k ohm
R119	119-1021-15	1/10W 1k ohm	R444	119-4731-15	1/10W 47k ohm	R702	119-1041-15	1/10W 100k ohm
R120	119-2221-15	1/10W 2.2k ohm	R445	032-0140-52	1/10W 33k ohm F	R703	119-1031-15	1/10W 10k ohm
R121	119-4721-15	1/10W 4.7k ohm	R446	032-0140-63	1/10W 27k ohm F (PP2546LG)	R704	119-4731-15	1/10W 47k ohm
R122	119-8201-15	1/10W 82 ohm	R446	032-0140-89	1/10W 47k ohm F (PP2546LD)	R705	119-1041-15	1/10W 100k ohm
R124	119-3321-15	1/10W 3.3k ohm	R447	119-4731-15	1/10W 47k ohm			
R126	116-1501-15	1/4W 15 ohm	R448	032-0140-03	1/10W 220k ohm F (PP2546LD)			
R127	116-1001-15	1/4W 10 ohm						
R128	119-2221-15	1/10W 2.2k ohm						
R129	119-2221-15	1/10W 2.2k ohm						

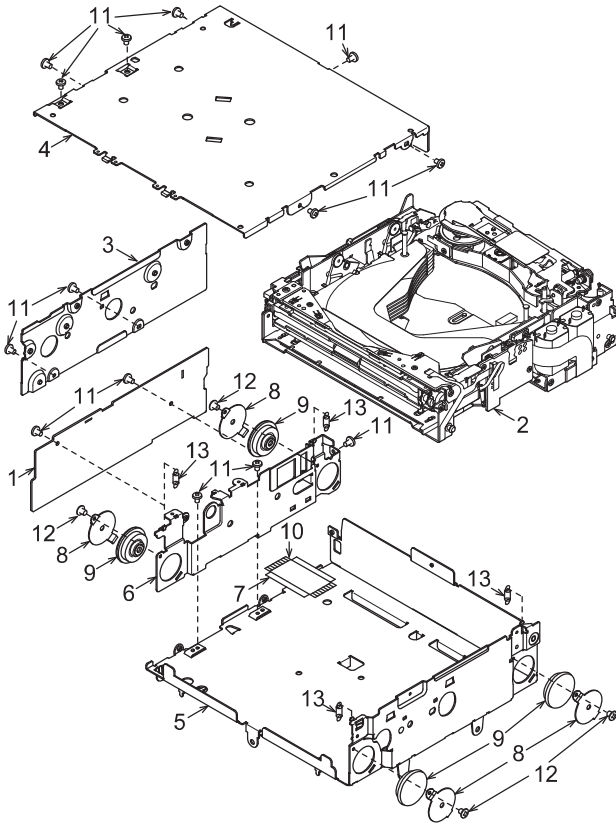
REF No.	PART No.	DESCRIPTION	REF No.	PART No.	DESCRIPTION	REF No.	PART No.	DESCRIPTION
R706	119-1031-15	1/10W 10k ohm	R731	119-1031-15	1/10W 10k ohm	R1003	119-3011-15	1/10W 300 ohm
R707	119-5621-15	1/10W 5.6k ohm	R732	119-2231-15	1/10W 22k ohm	R1004	119-1031-15	1/10W 10k ohm
R708	119-5621-15	1/10W 5.6k ohm	R733	119-1001-15	1/10W 10 ohm	R1005	119-5631-15	1/10W 56k ohm
R709	119-5621-15	1/10W 5.6k ohm	R734	119-2231-15	1/10W 22k ohm	R1006	119-1021-15	1/10W 1k ohm
R710	119-5621-15	1/10W 5.6k ohm	R735	119-1001-15	1/10W 10 ohm	R1010	119-2231-15	1/10W 22k ohm
R711	119-5621-15	1/10W 5.6k ohm	R736	119-1541-15	1/10W 150k ohm	R1015	119-4731-15	1/10W 47k ohm
R712	119-1051-15	1/10W 1M ohm	R738	119-2231-15	1/10W 22k ohm	R1016	119-1031-15	1/10W 10k ohm
R713	119-1051-15	1/10W 1M ohm	R739	119-2231-15	1/10W 22k ohm	R1017	119-1031-15	1/10W 10k ohm
R714	119-3321-15	1/10W 3.3k ohm	R740	119-1001-15	1/10W 10 ohm	R1018	119-5631-15	1/10W 56k ohm
R715	119-1021-15	1/10W 1k ohm	R741	119-2231-15	1/10W 22k ohm	R1019	119-5631-15	1/10W 56k ohm
R716	119-1021-15	1/10W 1k ohm	R742	119-2231-15	1/10W 22k ohm	R1020	119-5621-15	1/10W 5.6k ohm
R717	119-3321-15	1/10W 3.3k ohm	R743	119-1001-15	1/10W 10 ohm	R1021	119-5621-15	1/10W 5.6k ohm
R718	119-1021-15	1/10W 1k ohm	R744	119-3931-15	1/10W 39k ohm	R1022	119-3011-15	1/10W 300 ohm
R719	119-1021-15	1/10W 1k ohm	R745	119-3931-15	1/10W 39k ohm	R1023	119-3011-15	1/10W 300 ohm
R720	119-3321-15	1/10W 3.3k ohm	R746	119-1031-15	1/10W 10k ohm	R1026	119-4731-15	1/10W 47k ohm
R721	119-3321-15	1/10W 3.3k ohm	R747	119-1031-15	1/10W 10k ohm	R1050	119-4721-15	1/10W 4.7k ohm
R722	119-2231-15	1/10W 22k ohm	R748	119-2231-15	1/10W 22k ohm	SUP102	060-0122-91	DSP-141N-S00B
R723	119-2231-15	1/10W 22k ohm	R749	119-1001-15	1/10W 10 ohm	TC101	004-1580-60	30pF
R724	119-1001-15	1/10W 10 ohm	R750	119-2231-15	1/10W 22k ohm	TH601	002-0229-90	PTH8L05B
R725	119-2231-15	1/10W 22k ohm	R751	119-1001-15	1/10W 10 ohm	VR102	012-5203-56	10k ohm
R726	119-2031-15	1/10W 20k ohm	R756	119-1031-15	1/10W 10k ohm	X102	061-1066-80	7.2MHz
R727	119-1001-15	1/10W 10 ohm	R757	119-1031-15	1/10W 10k ohm	X401	060-1505-50	CSTCC10.0MG-TC
R728	119-3931-15	1/10W 39k ohm	R758	119-4731-15	1/10W 47k ohm	PWB	039-2775-00	PWB(WITHOUT COMPONENT)
R729	119-3931-15	1/10W 39k ohm	R759	119-4731-15	1/10W 47k ohm			
R730	119-1031-15	1/10W 10k ohm	R1002	119-3011-15	1/10W 300 ohm			

Switch PWB(B2) section

REF No.	PART No.	DESCRIPTION	REF No.	PART No.	DESCRIPTION	REF No.	PART No.	DESCRIPTION
C1101	166-8211-50	820pF	D1130	001-7063-96	RAY1102W D,E,F/A,AA	R1110	116-3911-15	1/4W 390 ohm
C1102	168-4732-78	0.047uF K	D1131	001-7063-96	RAY1102W D,E,F/A,AA	R1111	116-3911-15	1/4W 390 ohm
C1103	168-4732-78	0.047uF K	D1132	001-7063-96	RAY1102W D,E,F/A,AA	R1113	116-3911-15	1/4W 390 ohm
C1104	168-1042-78	16V 0.1uF	D1133	001-7063-96	RAY1102W D,E,F/A,AA	R1114	116-3911-15	1/4W 390 ohm
C1105	042-0416-59	10V 33uF M TAN	D1134	001-7063-96	RAY1102W D,E,F/A,AA	R1115	116-4711-15	1/4W 470 ohm
CCT1101	050-0145-52	1/16W 1k ohm x4	D1135	001-7063-96	RAY1102W D,E,F/A,AA	R1116	116-4711-15	1/4W 470 ohm
CCT1102	050-0145-52	1/16W 1k ohm x4	D1136	001-7063-96	RAY1102W D,E,F/A,AA	R1117	116-6811-15	1/4W 680 ohm
D1100	001-7080-91	SML-512WWT864	D1137	001-7063-96	RAY1102W D,E,F/A,AA	R1120	117-0000-05	1/8W 0 ohm JW
D1101	001-7080-91	SML-512WWT864	D1138	001-7063-96	RAY1102W D,E,F/A,AA	R1121	117-0000-05	1/8W 0 ohm JW
D1102	001-7080-91	SML-512WWT864	D1139	001-7063-96	RAY1102W D,E,F/A,AA	R1122	117-0000-05	1/8W 0 ohm JW
D1103	001-7080-91	SML-512WWT864	D1141	001-7063-96	RAY1102W D,E,F/A,AA	R1123	117-0000-05	1/8W 0 ohm JW
D1104	001-7080-91	SML-512WWT864	D1142	001-7063-96	RAY1102W D,E,F/A,AA	R1124	117-0000-05	1/8W 0 ohm JW
D1105	001-7080-91	SML-512WWT864	D1143	001-7063-96	RAY1102W D,E,F/A,AA	R1125	119-0000-05	1/10W 0 ohm JW
D1106	001-7080-91	SML-512WWT864	D1144	001-7063-96	RAY1102W D,E,F/A,AA	R1126	116-5611-15	1/4W 560 ohm
D1107	001-7080-91	SML-512WWT864	D1145	001-7063-96	RAY1102W D,E,F/A,AA	R1127	116-5611-15	1/4W 560 ohm
D1108	001-7080-91	SML-512WWT864	D1146	001-7063-96	RAY1102W D,E,F/A,AA	R1128	116-5611-15	1/4W 560 ohm
D1109	001-7080-91	SML-512WWT864	IC1101	051-6064-00	LC75883W	R1130	119-2221-15	1/10W 2.2k ohm
D1110	001-7080-91	SML-512WWT864	J1101	074-1279-68	18P	R1131	119-2221-15	1/10W 2.2k ohm
D1111	001-7080-91	SML-512WWT864	LCD1101	379-1341-31	LCD	R1132	119-2221-15	1/10W 2.2k ohm
D1112	001-7063-96	RAY1102W D,E,F/A,AA	R1101	119-6831-15	1/10W 68k ohm	S1101	013-6311-50	SWITCH 100gf
D1113	001-7063-96	RAY1102W D,E,F/A,AA	R1102	116-2711-15	1/4W 270 ohm	S1102	013-6311-50	SWITCH 100gf
D1114	001-7093-90	RAY1112H-75M	R1103	116-2711-15	1/4W 270 ohm	S1103	013-6311-50	SWITCH 100gf
D1115	001-7093-90	RAY1112H-75M	R1104	116-2711-15	1/4W 270 ohm	S1104	013-6311-50	SWITCH 100gf
D1116	001-7093-90	RAY1112H-75M	R1105	116-2711-15	1/4W 270 ohm	S1105	013-6311-50	SWITCH 100gf
D1117	001-7063-96	RAY1102W D,E,F/A,AA	R1106	116-2711-15	1/4W 270 ohm	S1106	013-6311-50	SWITCH 100gf
D1118	001-7063-96	RAY1102W D,E,F/A,AA	R1107	116-2711-15	1/4W 270 ohm	S1107	013-6311-50	SWITCH 100gf
D1119	001-7063-96	RAY1102W D,E,F/A,AA	R1108	116-2711-15	1/4W 270 ohm	S1108	013-6311-50	SWITCH 100gf
D1120	001-7063-96	RAY1102W D,E,F/A,AA	R1109	116-4711-15	1/4W 470 ohm	S1109	013-6311-50	SWITCH 100gf
D1121	001-7063-96	RAY1102W D,E,F/A,AA				S1110	013-6311-50	SWITCH 100gf
D1122	001-7063-96	RAY1102W D,E,F/A,AA				S1111	013-6311-50	SWITCH 100gf
D1126	001-7063-96	RAY1102W D,E,F/A,AA				S1112	013-6311-50	SWITCH 100gf
D1127	001-7063-96	RAY1102W D,E,F/A,AA				S1113	013-6311-50	SWITCH 100gf
D1128	001-7063-96	RAY1102W D,E,F/A,AA				S1114	013-6311-50	SWITCH 100gf
D1129	001-7063-96	RAY1102W D,E,F/A,AA				S1115	013-6311-50	SWITCH 100gf
						S1116	013-6311-50	SWITCH 100gf
						S1117	013-6311-50	SWITCH 100gf
						S1118	013-6311-50	SWITCH 100gf
						S1119	013-6311-50	SWITCH 100gf
						S1120	013-6311-50	SWITCH 100gf
						S1121	013-6311-50	SWITCH 100gf
						S1122	013-7415-50	SPVG110400
						PWB	039-2776-00	PWB(WITHOUT COMPONENT)

EXPLODED VIEW/PARTS LIST

CD mechanism module section



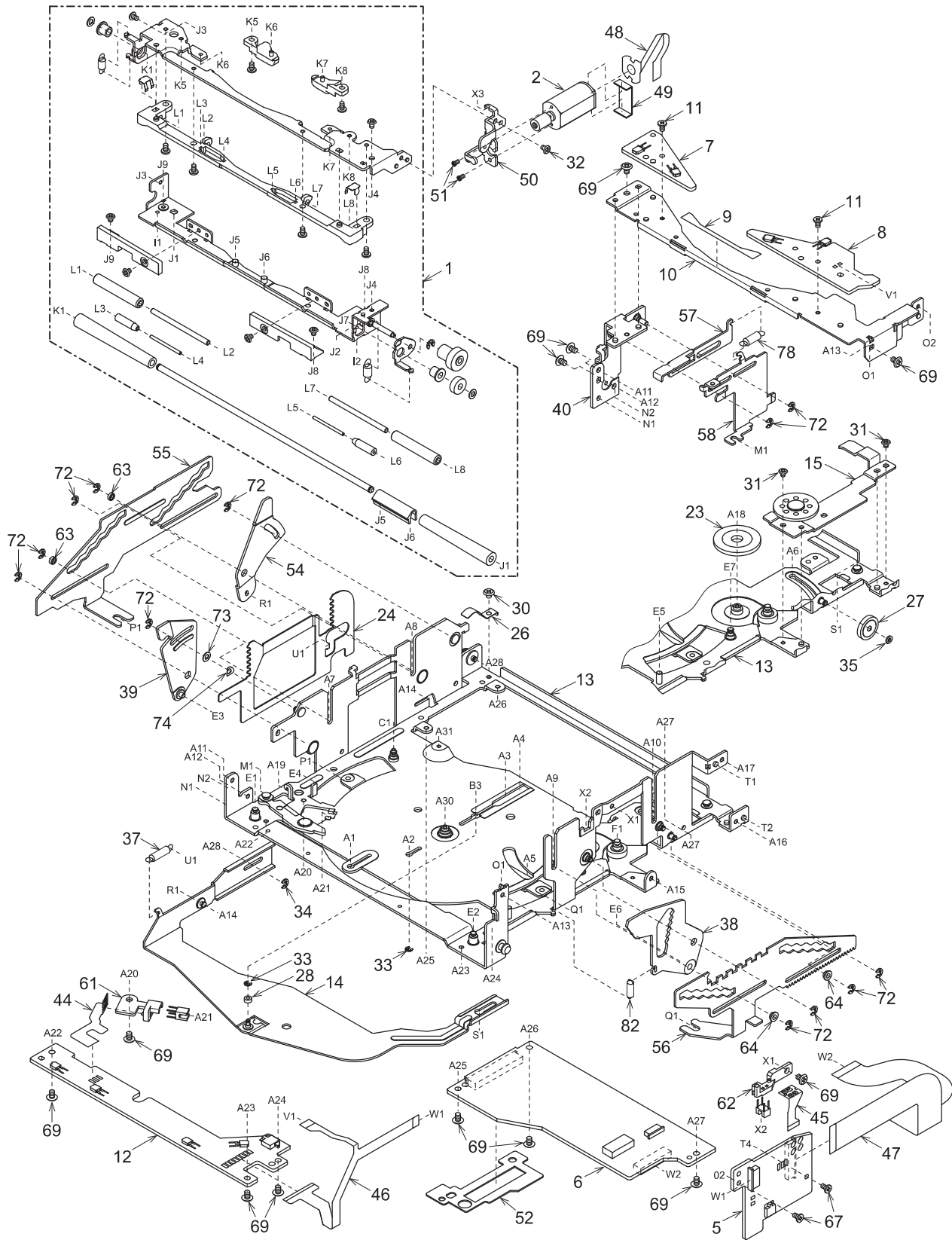
NO.	PART NO.	DESCRIPTION	Q'TY
1	-----	SIDE PWB	1
2	-----	CD MECHANISM	1
3	305-0315-21	SIDE CVR	1
4	310-1741-23	UPPER CASE	1
5	311-1837-25	LOWER CASE	1
6	331-3266-24	PWB-HOLDER	1
7	347-6619-00	INSULATOR	1
8	620-1086-20	DAMPER-H-PLT	4
9	629-0083-01	DAMPER	4
10	HBS-561-100	FPC(WITHOUT COMPONENT)	1
11	716-1716-02	SCREW(M2 x 3)	14
12	716-3450-00	SCREW(M1.7 x 2)	4
13	750-3491-00	FL-SPRING	4

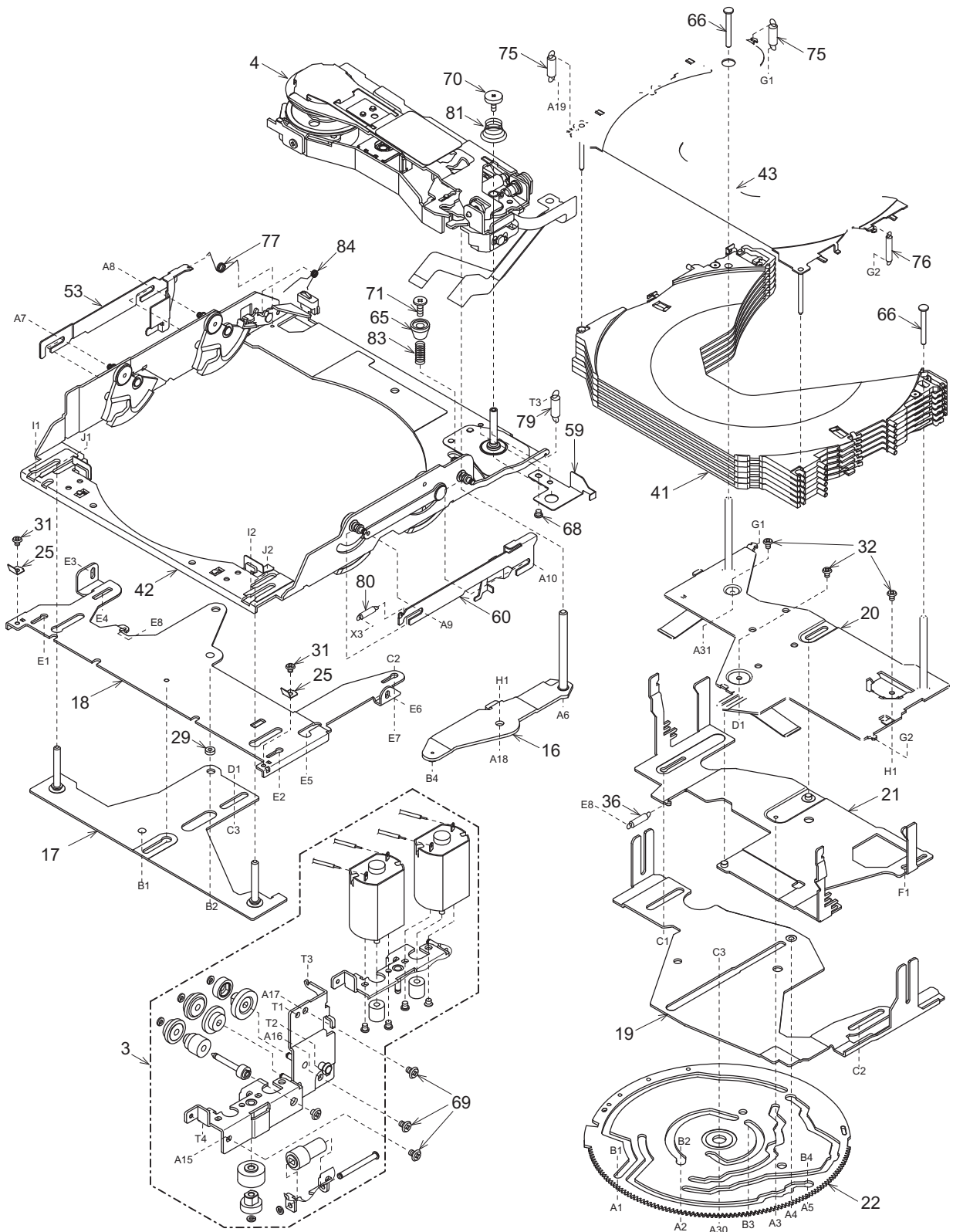
CD mechanism section

* The exploded view is on the page 6, 7.

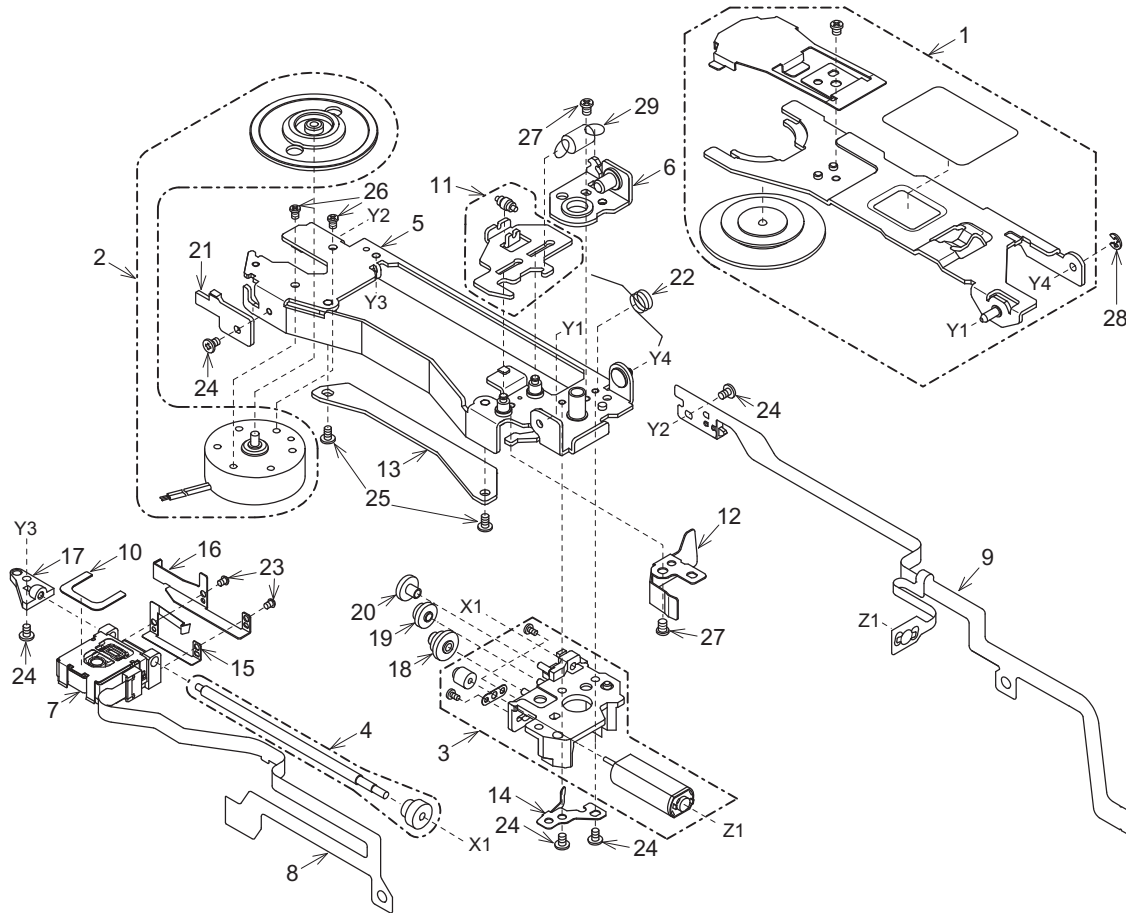
NO.	PART NO.	DESCRIPTION	Q'TY	NO.	PART NO.	DESCRIPTION	Q'TY
1	HBS-562-100	LOADING UNIT	1	44	039-2009-00	PIM-FPC (WITHOUT COMPONENT)	1
2	SMA-186-100	LOADING MOTOR-ASSY	1	45	039-2010-00	PIV-FPC (WITHOUT COMPONENT)	1
3	HBS-530-100	MTR-P-SUB-ASSY	1	46	039-2012-00	SENSOR-FPC (WITHOUT COMPONENT)	1
4	HBS-592-100	DRIVE UNIT ASSY	1	47	039-2013-04	MOS-FPC (WITHOUT COMPONENT)	1
5	-----	DRIVER PWB	1	48	039-2014-01	L-MOTOR-FPC (WITHOUT COMPONENT)	1
6	-----	CD PWB	1	49	347-6657-01	LO-COVER SHEET	1
7	-----	LED-L-PWB	1	50	620-1576-20	LO-MOTOR-PLT	1
8	-----	LED-R-PWB	1	51	738-1422-1B	SCREW(M1.4 x 2.2)	2
9	039-2011-01	LED-FPC (WITHOUT COMPONENT)	1	52	347-7860-20	FPC COVER	1
10	620-1577-20	FRONT-PLATE	1	53	620-1056-22	HLR-PLATE-L	1
11	716-1866-50	SCREW(M1.7 x 3)	2	54	620-1066-20	LOCK LINK-LR	1
12	-----	SENSOR PWB	1	55	620-1067-21	SLIDE PLATE L	1
13	966-1751-21	CHASSIS-ASSY	1	56	620-1068-22	SLIDE PLATE-R	1
14	966-0600-23	LOCK-P-RE-ASSY	1	57	620-1071-21	EJECT ARM	1
15	966-0601-21	M-GEAR-P-ASSY	1	58	620-1072-20	EJECT PLATE	1
16	966-0602-26	DR-LINK-ASSY	1	59	620-1083-20	FPC-PLATE	1
17	966-0603-21	MODE-P-ASSY	1	60	620-1580-20	HLR-PLATE-R	1
18	966-0604-26	LOCK-PF-ASSY	1	61	621-0641-21	PI-HOLDER-M	1
19	966-0605-20	SHIFT-P-ASSY	1	62	621-0656-21	PI-HOLDER-V	1
20	966-1788-22	COV-PLATE-ASSY	1	63	622-1622-20	SL-G-ROLLER	2
21	966-0606-23	HLC-PLATE-ASSY	1	64	622-1623-00	SL-G-ROLLER-R	2
22	620-1041-26	GEAR PLATE	1	65	622-1648-23	DU-STP-SLEEVE	1
23	620-1042-20	M-GEAR-H	1	66	622-1650-23	COV-PLATE PIN B	2
24	620-1090-20	GAP PLATE	1	67	716-1866-50	SCREW(M1.7 x 3)	2
25	620-1568-21	RATTLE PLATE-F	2	68	716-1873-00	SCREW(M2 x 1.6)	1
26	620-1604-20	DR-PLATE-SPRING	1	69	716-3449-50	SCREW(M2 x 3)	15
27	621-0640-20	V-GEAR-G	1	70	716-3459-01	SCREW(M1.7 x 5)	1
28	622-1651-00	LOCK-RE-ROLLER	1	71	716-3466-54	SCREW(M2 x 6)	1
29	622-1652-00	LOCK-PF-ROLLER	1	72	743-1500-1B	E-RING	12
30	716-1850-01	SCREW(M2 x 2)	1	73	746-0624-00	WASHER	1
31	716-3450-00	SCREW(M1.7 x 2)	4	74	746-0712-23	WASHER	1
32	716-3451-01	SCREW(M1.7 x 2.5)	4	75	750-3478-01	TOP-P-SP-L	2
33	743-1200-1B	E-RING	2	76	750-3479-01	TOP-P-SP-R	1
34	743-1500-1B	E-RING	1	77	750-3480-01	DR-LOCK-SP	1
35	746-0761-00	WASHER	1	78	750-3483-00	EJECT-A-SPRING	1
36	750-3485-01	TENTION-SP-L	1	79	750-3484-01	DR-BASE-SPRING	1
37	750-3497-00	GAP-P-SPRING L	1	80	750-3486-01	LO-TENSION-SP	1
38	966-0615-21	LOCK-L-RF-ASSY	1	81	750-3489-01	DRIVE-P-SPRING	1
39	966-0616-20	LOCK-L-LF-ASSY	1	82	750-3496-00	GAP-P-SPRING R	1
40	966-0618-21	EJECT-B-ASSY	1	83	750-6711-01	DU-STP-SPRING	1
41	966-1742-20	DISC-HOL-ASSY	1	84	750-6712-01	DR-LOCK-SP-B	1
42	966-0652-27	DR-BASE-P-ASSY	1				
43	HBS-535-100	TOP PLATE-ASSY	1				

CD mechanism section





Drive unit ass'y section



NO.	PART NO.	DESCRIPTION	Q'TY	NO.	PART NO.	DESCRIPTION	Q'TY
1	HBS-532-101	CLAMP SUB-ASSY	1	15	620-1587-83	SH-SPRING-PLT	1
2	SMA-196-100	SPINDLE MOTOR-ASSY	1	16	620-1730-81	SCREW-HOL-PLT	1
3	SMA-191-100	SLED MOTOR-ASSY	1	17	621-0670-20	LS-HOLDER-L	1
4	HBS-515-101	LS-ASSY	1	18	621-0673-20	D-GEAR-A	1
5	966-0649-82	DRIVE PLT-ASSY	1	19	621-0674-20	D-GEAR-B	1
6	966-0650-20	SPRING-PLT-ASSY	1	20	621-0675-20	D-GEAR-C	1
7	969-0011-01	PICK UP-ASSY	1	21	621-0683-21	DU-STOPPER	1
8	039-2015-02	P/U-FPC (WITHOUT COMPONENT)	1	22	750-3504-00	CLAMP-A-SPRING	1
9	039-2016-02	M/S-FPC (WITHOUT COMPONENT)	1	23	716-3511-01	SCREW(1.4 x 3)	2
10	347-6632-00	PU-SHEET	1	24	716-3470-01	SCREW(M1.7 x 3)	5
11	HBS-542-101	D-SHIFT-P-ASSY	1	25	716-3474-01	SCREW(M1.7 x 3)	2
12	620-1078-21	PUSH PLATE	1	26	716-3527-01	PRECISION SCREW(M1.7x1.85)	2
13	620-1080-22	PU-GUIDE-PLATE	1	27	738-2025-1H	PRECISION SCREW(M2 x 2.5)	2
14	620-1081-20	SCREW PUSH-PLT	1	28	743-1500-1B	E-RING	1
				29	750-3487-00	SHIFT-P-SPRING	1

ELECTRICAL PARTS LIST

Side PWB(B1) section

REF No.	PART No.	DESCRIPTION	REF No.	PART No.	DESCRIPTION	REF No.	PART No.	DESCRIPTION
C101	168-1045-56	0.1uF Z	L102	010-3407-68	NLV32 33uH J	R504	119-5621-15	1/10W 5.6k ohm
C102	168-1042-78	16V 0.1uF	Q101	125-2004-92	RN1402	R505	119-1031-15	1/10W 10k ohm
C104	163-1073-15	6.3V100uF	Q102	131-1188-50	2SB1188PQR	R506	119-1041-15	1/10W 100k ohm
C106	163-1063-35	16V10uF	Q103	193-1758-00	2SD1758TK P,Q,R	R507	119-0000-05	1/10W 0 ohm JW
C107	163-1073-15	6.3V100uF	Q104	193-1758-00	2SD1758TK P,Q,R	R509	119-4731-15	1/10W 47k ohm
C108	168-1042-78	16V 0.1uF	Q105	125-0014-92	DTA114EK	R510	119-1031-15	1/10W 10k ohm
C109	168-1042-78	16V 0.1uF	Q106	125-2004-92	RN1402	R511	119-1031-15	1/10W 10k ohm
C110	168-1042-78	16V 0.1uF	Q502	190-1162-00	2SA1162	R512	050-0145-54	1/16W 47k ohm x4
C111	163-1073-35	16V100uF	Q503	190-1162-00	2SA1162	R513	119-1041-15	1/10W 100k ohm
C112	168-2722-55	2700pF K	Q504	192-2712-00	2SC2712	R514	119-2241-15	1/10W 220k ohm
C113	163-2263-35	16V22uF	Q505	125-2004-92	RN1402	R515	119-2241-15	1/10W 220k ohm
C114	163-2263-35	16V22uF	Q506	125-0014-92	DTA114EK	R516	119-2241-15	1/10W 220k ohm
C115	166-3311-50	330pF CH	Q507	125-0002-92	RN2402	R517	119-1041-15	1/10W 100k ohm
C116	166-3311-50	330pF CH	Q508	192-2712-00	2SC2712	R518	119-2241-15	1/10W 220k ohm
C117	166-1011-50	100pF CH	R101	119-4711-15	1/10W 470 ohm	R522	119-1041-15	1/10W 100k ohm
C118	166-1011-50	100pF CH	R102	119-2231-15	1/10W 22k ohm	R524	119-1041-15	1/10W 100k ohm
C119	168-2722-55	2700pF K	R103	119-1821-15	1/10W 1.8k ohm	R526	119-4731-15	1/10W 47k ohm
C120	168-1022-55	1000pF K	R104	119-1831-15	1/10W 18k ohm	R529	119-1021-15	1/10W 1k ohm
C121	163-2263-35	16V22uF	R105	116-1211-15	1/4W 120 ohm	R531	119-1021-15	1/10W 1k ohm
C122	168-1022-55	1000pF K	R106	119-1041-15	1/10W 100k ohm	R532	119-1021-15	1/10W 1k ohm
C123	163-2263-35	16V22uF	R107	119-4731-15	1/10W 47k ohm	R533	119-1021-15	1/10W 1k ohm
C124	042-0403-55	16V 33uF	R108	119-1031-15	1/10W 10k ohm	R535	119-2231-15	1/10W 22k ohm
C125	042-0403-55	16V 33uF	R109	119-1031-15	1/10W 10k ohm	R536	119-2231-15	1/10W 22k ohm
C501	163-1063-35	16V10uF	R110	119-4741-15	1/10W 470k ohm	R538	119-1031-15	1/10W 10k ohm
C502	168-1045-56	0.1uF Z	R111	119-4741-15	1/10W 470k ohm	R539	119-5631-15	1/10W 56k ohm
C503	168-4735-56	0.047uF Z	R112	119-2731-15	1/10W 27k ohm	R541	119-1021-15	1/10W 1k ohm
C504	168-1045-56	0.1uF Z	R113	119-2731-15	1/10W 27k ohm	R542	119-4721-15	1/10W 4.7k ohm
D100	001-0516-90	MA111	R114	119-2731-15	1/10W 27k ohm	R543	119-1041-15	1/10W 100k ohm
D103	001-0504-07	HZS4BLL	R115	119-2731-15	1/10W 27k ohm	R544	119-1041-15	1/10W 100k ohm
D104	001-0516-90	MA111	R116	119-5611-15	1/10W 560 ohm	R545	119-1041-15	1/10W 100k ohm
D105	001-0529-31	MA8056-L	R117	119-5611-15	1/10W 560 ohm	R546	119-1021-15	1/10W 1k ohm
IC501	051-9400-28	BR93LC46F-WE2	R118	119-4731-15	1/10W 47k ohm	R547	119-1021-15	1/10W 1k ohm
IC502	052-5047-24	M30621MCM-4U9GP	R119	119-4731-15	1/10W 47k ohm	R548	119-1021-15	1/10W 1k ohm
IC503	051-5418-08	S-80827ANMP-EDQ	R120	119-3941-15	1/10W 390k ohm	R549	119-1021-15	1/10W 1k ohm
IC504	051-1407-90	NJM4556AM	R121	119-1041-15	1/10W 100k ohm	X501	060-1505-50	10MHz
J101	074-1189-95	45P	R123	119-1041-15	1/10W 100k ohm	PWB	039-2433-20	PWB(WITHOUT COMPONENT)
J102	074-1191-22	22P	R124	119-1041-15	1/10W 100k ohm			
L101	010-3071-65	18uH	R125	119-1041-15	1/10W 100k ohm			
			R126	119-2221-15	1/10W 2.2k ohm			

CD PWB(B2) section

REF No.	PART No.	DESCRIPTION	REF No.	PART No.	DESCRIPTION	REF No.	PART No.	DESCRIPTION
C2	046-1022-58	1000pF	C40	045-1211-50	120pF	R18	033-1031-15	1/10W 10k ohm
C3	168-1042-78	16V 0.1uF	C41	045-1011-50	100pF	R19	033-5621-15	1/10W 5.6k ohm
C4	042-0636-54	4V 220uF	C42	168-1042-78	16V 0.1uF	R20	033-6831-15	1/10W 68k ohm
C5	168-1042-78	16V 0.1uF	C43	042-0636-52	4V 47uF	R21	033-5621-15	1/10W 5.6k ohm
C6	046-1032-78	0.01uF	C50	168-1042-78	16V 0.1uF	R22	033-1031-15	1/10W 10k ohm
C7	168-1042-78	16V 0.1uF	C51	168-1042-78	16V 0.1uF	R23	033-1031-15	1/10W 10k ohm
C8	178-4742-78	0.47uF	C60	168-5612-55	560pF Z	R24	033-4731-15	1/10W 47k ohm
C9	178-2242-78	0.22uF	D1	001-0367-91	1SS226	R25	033-3931-15	1/10W 39k ohm
C10	168-1042-78	16V 0.1uF	IC1	051-6365-00	MN662785TBUC	R26	033-6831-15	1/10W 68k ohm
C11	168-1042-78	16V 0.1uF	IC2	051-9318-00	MSM51V17400D-60TS-K	R27	033-6831-15	1/10W 68k ohm
C12	168-1042-78	16V 0.1uF	IC3	051-6060-08	BD7961FM-E2	R28	033-1031-15	1/10W 10k ohm
C13	046-2232-78	0.022uF	IC4	051-5711-90	AN8882SB-E1	R29	033-2201-15	1/10W 22 ohm
C14	168-5612-55	560pF Z	J1	074-1189-95	45P	R31	033-8211-15	1/10W 820 ohm
C15	168-1042-78	16V 0.1uF	J4	074-1138-56	6P	R32	033-5631-15	1/10W 56k ohm
C16	046-2212-58	220pF	J5	074-1201-65	15P	R33	033-6831-15	1/10W 68k ohm
C17	046-2212-58	220pF	J6	074-1059-76	26P	R34	033-3331-15	1/10W 33k ohm
C18	168-1222-55	1200pF K	L2	010-2155-93	10uH	R35	033-6831-15	1/10W 68k ohm
C19	046-3322-58	3300pF	Q2	131-1188-00	2SB1188	R38	033-3931-15	1/10W 39k ohm
C20	168-3932-78	0.039uF K	Q3	131-1188-00	2SB1188	R39	033-1831-15	1/10W 18k ohm
C21	168-3932-78	0.039uF K	R2	033-1041-15	1/10W 100k ohm	R40	117-1001-15	1/8W 10 ohm
C22	042-0416-52	10V 10uF M TAN	R4	033-3311-15	1/10W 33k ohm	R41	033-6821-15	1/10W 6.8k ohm
C25	178-1052-78	1uF	R5	033-1041-15	1/10W 100k ohm	R42	033-6821-15	1/10W 6.8k ohm
C26	042-0472-91	16V 47uF	R6	033-3931-15	1/10W 39k ohm	R43	033-3331-15	1/10W 33k ohm
C27	178-3342-78	0.33uF	R7	033-1041-15	1/10W 100k ohm	R44	033-5631-15	1/10W 56k ohm
C29	168-2732-55	16V 0.027uF K	R8	033-5611-15	1/10W 560 ohm	R45	116-4711-15	1/4W 470 ohm
C30	042-0416-58	4V 100uF M TAN	R9	033-5611-15	1/10W 560 ohm	R46	117-1811-15	1/8W 180 ohm
C31	042-0636-52	4V 47uF	R10	033-1011-15	1/10W 100 ohm	R47	116-4711-15	1/4W 470 ohm
C32	046-1022-58	1000pF	R11	033-3911-15	1/10W 390 ohm	R48	033-1031-15	1/10W 10k ohm
C33	046-3322-58	3300pF	R12	033-2221-15	1/10W 2.2k ohm	R49	033-1011-15	1/10W 100 ohm
C34	168-2732-55	16V 0.027uF K	R13	033-6831-15	1/10W 68k ohm	R50	050-0140-74	1/32W 12k ohm x 4J
C35	178-2742-78	0.27uF	R14	033-5621-15	1/10W 5.6k ohm	R60	033-2221-15	1/10W 2.2k ohm
C36	178-1052-78	1uF	R15	033-1021-15	1/10W 1k ohm	TM1	073-0768-90	TERMINAL
C37	168-1042-78	16V 0.1uF	R16	033-5631-15	1/10W 56k ohm	X1	060-1527-90	33.8688MHz
C38	042-0472-91	16V 47uF	R17	033-1031-15	1/10W 10k ohm	PWB	039-2398-20	PWB(WITHOUT COMPONENT)
C39	042-0636-50	6.3V 100uF						

Sensor PWB(B3) section

REF No.	PART No.	DESCRIPTION	REF No.	PART No.	DESCRIPTION	REF No.	PART No.	DESCRIPTION
PT3	060-0252-01	PT4850F	PT6	060-0252-01	PT4850F	PWB	039-1956-00	PWB(WITHOUT COMPONENT)
PT4	060-0252-01	PT4850F	S1	013-7414-50	SPVG22			
PT5	060-0252-01	PT4850F						

PIM-FPC(B4) section

REF No.	PART No.	DESCRIPTION
IC5	051-5806-02	GPIS95

Driver PWB(B5) section

REF No.	PART No.	DESCRIPTION	REF No.	PART No.	DESCRIPTION	REF No.	PART No.	DESCRIPTION
C1	168-1045-56	0.1uF Z	J1	074-1239-76	26P	R3	032-0104-59	1/4W 2.2 ohm
C2	163-1073-35	16V100uF	J2	074-1100-59	9P	S2	013-7412-50	SPVG21
D1	001-0529-29	MA8051-M	R1	033-1021-15	1/10W 1k ohm	PWB	039-2242-00	PWB(WITHOUT COMPONENT)
IC1	051-6044-18	BA6920FP-Y	R2	032-0104-59	1/4W 2.2 ohm			

PIV-FPC(B6) section

REF No.	PART No.	DESCRIPTION
IC6	051-5806-01	GPIS93

LED-L-PWB(B7) section

REF No.	PART No.	DESCRIPTION	REF No.	PART No.	DESCRIPTION	REF No.	PART No.	DESCRIPTION
LED3	001-7042-00	GL4800	LED4	001-7042-00	GL4800	PWB	039-1954-20	PWB(WITHOUT COMPONENT)

LED-R-PWB(B8) section

REF No.	PART No.	DESCRIPTION	REF No.	PART No.	DESCRIPTION	REF No.	PART No.	DESCRIPTION
LED5	001-7042-00	GL4800	LED6	001-7042-00	GL4800	PWB	039-1955-20	PWB(WITHOUT COMPONENT)

L-Motor-FPC(B9) section

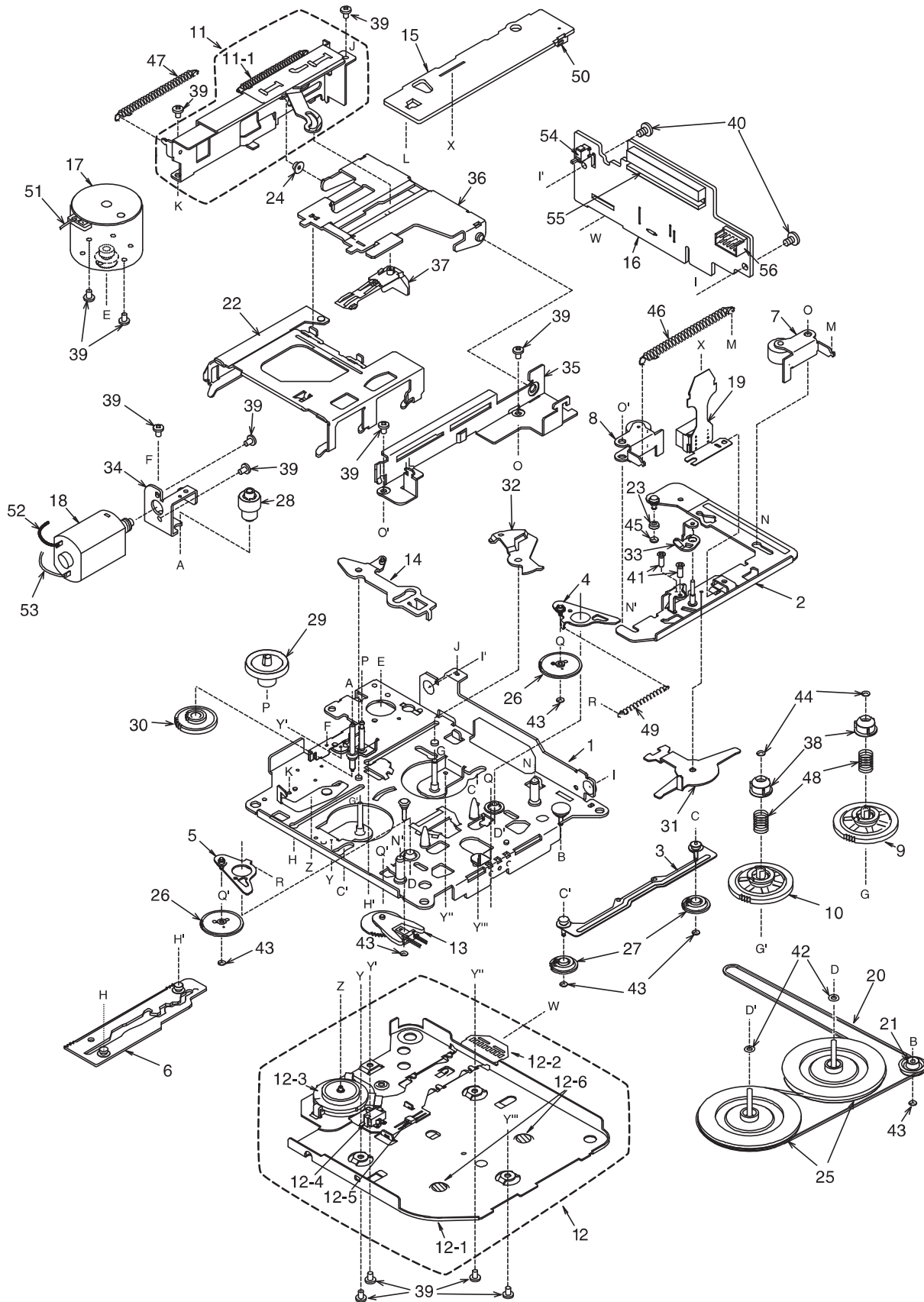
REF No.	PART No.	DESCRIPTION
M1	SMA-186-100	LOADING

M/S-FPC(B10) section

REF No.	PART No.	DESCRIPTION	REF No.	PART No.	DESCRIPTION	REF No.	PART No.	DESCRIPTION
M2	SMA-196-100	SPINDLE	M3	SMA-191-100	SLED	S3	013-7414-50	SPVG22

EXPLODED VIEW/PARTS LIST

Cassette tape mechanism section



NO.	PART NO.	DESCRIPTION	Q'TY	NO.	PART NO.	DESCRIPTION	Q'TY
1	960-4294-22	DECK PLATE ASSY	1	25	611-0091-03	FLYWHEEL	2
2	960-4261-20	HEAD PLATE ASSY	1	26	613-0662-00	IDLER GEAR	2
3	960-4262-04	FF/REW-P ASSY	1	27	613-0286-03	FF/REW GEAR	2
4	960-4263-03	IDLER-P-ASSY L	1	28	613-0288-01	HELICAL GEAR	1
5	960-4264-03	IDLER-P-ASSY R	1	29	613-0289-01	GEAR A	1
6	960-4266-20	MODE PLATE ASSY	1	30	613-0337-20	POWER GEAR	1
7	960-4269-05	ROLLER ASSY F	1	31	630-2597-01	CHANGE LINK	1
8	960-4270-05	ROLLER ASSY R	1	32	630-2598-05	EJECT LINK	1
9	960-4348-03	REEL ASSY F	1	33	630-2600-01	ADJUST LINK	1
10	960-4349-03	REEL ASSY R	1	34	630-2601-02	MOTOR PLATE	1
11	960-4389-20	EJECT SUB ASSY	1	35	630-2626-06	PWB FRAME	1
11-1	750-3020-01	SWITCH PLATE SPRING	1	36	630-2642-01	GUIDE ARM	1
12	960-4338-09	BOTTOM SUB ASSY	1	37	631-1992-02	PACK STOPPER	1
12-1	960-4295-02	BOTTOM P-ASSY	1	38	631-1993-01	SLIDE BUSH	2
12-2	099-9926-01	BOTTOM FPC (WITHOUT COMPONENT)	1	39	716-0484-03	SCREW(M2x2.5)	13
12-3	013-3951-32	SWITCH(MODE)	1	40	716-1676-50	PWB SCREW(M2.6x6)	2
12-4	013-3953-01	SWITCH(METAL)	1	41	716-0833-10	SCREW(M2x5.6)	2
12-5	051-1776-00	IC	1	42	746-0624-00	WASHER	2
12-6	746-0767-00	WASHER	2	43	746-0724-00	WASHER	6
13	960-4282-06	DETECT SUB ASSY	1	44	746-0761-00	WASHER	2
14	960-4301-02	PLAY LINK ASSY	1	45	746-0762-00	WASHER	1
15	-----	SIDE PWB	1	46	750-2946-02	PINCH SPRING	1
16	-----	REAR PWB	1	47	750-2947-25	EJECT P-SPRING	1
17	SMA-168-100	MAIN MOTOR ASSY	1	48	750-2949-00	SLIDE SPRING	2
18	SMA-169-100	POWER MOTOR ASSY	1	49	750-3017-02	IDLER P-SPRING	1
19	011-0328-01	HEAD	1	50	074-0898-10	OUTLET SOCKET(10P)	1
20	602-0118-00	BELT	1	51	802-4909-60	WIRE(RED)	1
21	604-0046-00	TENSION PULLEY	1	52	806-4914-60	WIRE(BLUE)	1
22	606-0093-07	PACK GUIDE	1	53	816-2349-00	WIRE(WHITE)	1
23	610-0342-01	HEAD P-ROLLER	1	54	013-3906-00	SWITCH(TAPE IN)	1
24	610-0343-00	GUIDE A-ROLLER	1	55	074-1012-20	OUTLET SOCKET(20P)	1
				56	076-0368-10	PLUG(10P)	1

ELECTRICAL PARTS LIST

Side PWB(B1) section : Cassette tape mechanism

REF No.	PART No.	DESCRIPTION	REF No.	PART No.	DESCRIPTION	REF No.	PART No.	DESCRIPTION
C1	168-5612-05	560pF	C16	168-1032-05	0.01uF	R8	119-3341-10	1/10W 330k ohm
C2	168-5612-05	560pF	C17	178-4745-79	0.47uF	R9	119-1131-15	1/10W 11k ohm
C3	168-5612-05	560pF	C18	168-1042-78	0.1uF	R10	119-1131-15	1/10W 11k ohm
C4	168-5612-05	560pF	C19	163-2263-30	16V22uF	R11	119-1531-10	1/10W 15k ohm
C5	178-1055-79	1uF	IC1	051-5204-00	HA12216F	R12	119-1531-10	1/10W 15k ohm
C6	168-1232-05	0.012uF	J1	074-0898-10	10P	R13	032-0140-80	1/10W 18k ohm F
C7	168-1232-05	0.012uF	L1	010-2198-26	0.047uH	R14	119-1531-10	1/10W 15k ohm
C8	168-4732-78	0.047uF	L2	010-2198-26	0.047uH	R15	119-1031-10	1/10W 10k ohm
C9	168-4732-78	0.047uF	R1	119-2731-10	1/10W 27k ohm	R16	119-3921-10	1/10W 3.9k ohm
C10	168-5612-05	560pF	R2	119-2731-10	1/10W 27k ohm	R17	119-1241-10	1/10W 120k ohm
C11	168-5612-05	560pF	R3	119-2731-10	1/10W 27k ohm	R18	119-2231-10	1/10W 22k ohm
C12	168-1042-78	0.1uF	R4	119-2731-10	1/10W 27k ohm	VR1	012-6014-56	10kohm
C13	168-1042-78	0.1uF	R5	119-1811-10	1/10W 180 ohm	VR2	012-6014-56	10kohm
C14	168-1032-05	0.01uF	R6	119-1811-10	1/10W 180 ohm	PWB	039-1912-01	PWB(WITHOUT COMPONENT)
C15	163-4753-50	35V4.7uF	R7	119-3341-10	1/10W 330k ohm			

Bottom FPC(B2) section : Cassette tape mechanism

REF No.	PART No.	DESCRIPTION	REF No.	PART No.	DESCRIPTION	REF No.	PART No.	DESCRIPTION
IC2	051-1776-00	NJL5801K	SW1	013-3953-01	SPPB32	SW2	013-3951-32	MODE SWITCH

Rear PWB(B3) section : Cassette tape mechanism

REF No.	PART No.	DESCRIPTION	REF No.	PART No.	DESCRIPTION	REF No.	PART No.	DESCRIPTION
P1	076-0368-10	10P	R19	111-5611-91	1/4WS 560 ohm	PWB	039-1913-00	PWB(WITHOUT COMPONENT)
J2	074-1012-20	20P	S1	013-3906-00	SPPB51			