

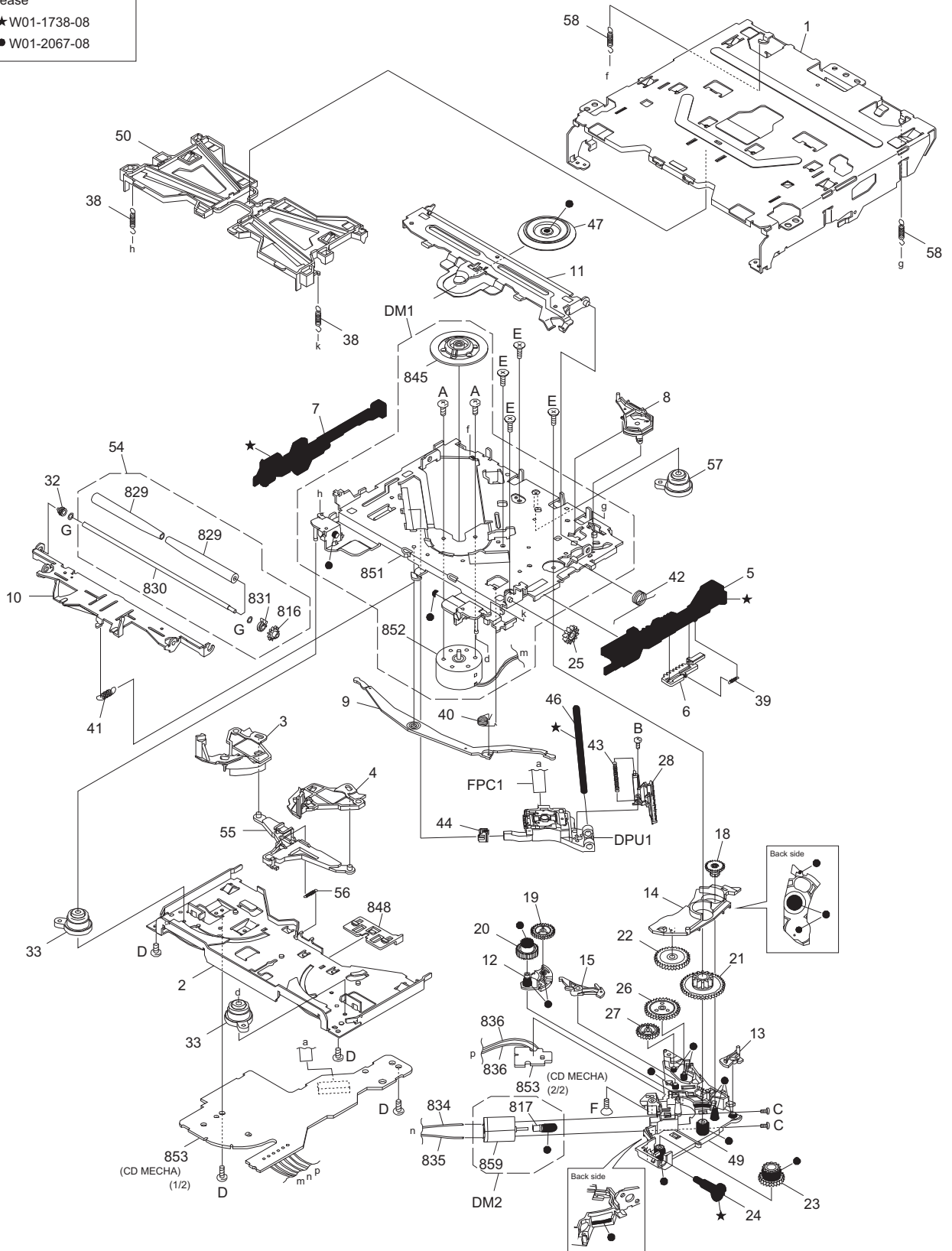
MODEL	MARK	MODEL	MARK
KDC-BT765HD	K0	KDC-X700	K1

Safe	Symbol No.	Parts No.	Parts Name	Description	QTY	Local
EXPLODED VIEW (UNIT) <M1MM>						
△	DC1	E3A-0052-00	DC CORD ASSY		1	
	DME1	X92-6830-02	CD MECHANISM		1	
	ERB1	XL1-001K-00	MAIN PWB ASSY		1	K0
	ERB1	XL1-001K-01	MAIN PWB ASSY		1	K1
△	F901	FZB10BT-100	BLADE FUSE		1	
	FC1	WJT0307-001A-E	E-CARD WIRE		1	
	LCD1	B3H-0032-00	LCD		1	
	PA1	GE20354-042A	FRONT PANEL ASSY		1	K0
	PA1	GE20354-041A	FRONT PANEL ASSY		1	K1
	RC1	QAL1303-004	REMOCON		1	
	A	GE40377-002A	SPECIAL SCREW		2	
	B	QYSDST2604ZA	TAP SCREW	M2.6 x 4mm	3	
	C	QYSDST2606ZA	TAP SCREW	M2.6 x 6mm	4	
	D	QYSDSF2008ZA	TAP SCREW	M2 x 8mm	5	
	E	QYSDST2610ZA	TAP SCREW	M2.6 x 10mm	4	
	F	GE40377-005A	SPECIAL SCREW		2	
	G	QYSDSF2608ZA	TAP SCREW	M2.6 x 8mm	1	
	H	N83-3008-48	P.HEAD T.SCREW		1	
	202	XJM-0120-10	TUNER PWB ASSY		1	
	213	GE35686-001A	LOCK LEVER		1	
	214	GE40504-001A	SPRING		1	
	215	GE35687-001A	RELEASE LEVER		1	
	216	GE40505-005A	SPRING		1	
	217	A2C-0009-03	SUB PANEL ASSY		1	
	224	E3A-0212-00	CORD W.CON.		1	
	251	GE20355-042A	CD COVER		1	K0
	251	GE20355-041A	CD COVER		1	K1
	253	GE20347-001A	VOL LENS		1	
	254	GE35681-001A	SRC BUTTON		1	
	255	GE35682-001A	SEARCH BUTTON		1	
	256	GE20346-001A	PRESET BUTTON		1	
	257	GE35671-001A	USB DOOR		1	
	258	GE35674-005A	ACC BTN TOP		1	
	259	GE10388-001A	LIGHT GUIDE		1	
	260	G01-4823-04	TOR.COIL SPRING		1	
	263	GE35669-001A	EJECT BUTTON		1	
	264	GE10387-003A	REAR COVER		1	
	265	GE35677-001A	DETACH BUTTON		1	
	266	GE40505-003A	SPRING		1	
	274	QNZ1115-001	RUBBER CONNE		1	
	275	QNZ1116-001	RUBBER CONNE		1	
	276	K2K-0174-00	KEY TOP		1	
	277	W0C-0170-00	RF TAG		1	
	278	K2K-0105-03	KNOB		1	K1
	279	GE40503-001A	SPRING		1	
	351	GE40578-002A	HOOK		2	
	352	GE34826-002A	M.SLEEVE ASSY		1	
	353	GE20352-001A	TRIM PLATE		1	K0
	353	GE20351-001A	TRIM PLATE		1	K1
	354	QYSPSF2008ZA	TAP SCREW	M2 x 8mm	1	
	355	QAN0126-001	MICROPHONE		1	
	356	GE40531-001A	SCREW SET		1	K1
	501	B5A-0889-00	INST.MANUAL	ENG FRE SPA	1	
	702	-----	SWITCH PWB ASSY	NO SERVICE PART	1	
	711	-----	SUB PANEL	NO SERVICE PART	1	
	712	-----	BLIND	NO SERVICE PART	1	
	718	-----	TOP CHASSIS	NO SERVICE PART	1	
	719	-----	BOTTOM PLATE	NO SERVICE PART	1	
	720	-----	HEAT SINK	NO SERVICE PART	1	
	721	-----	REG HEAT SINK	NO SERVICE PART	1	
	723	-----	COOL SHEET	NO SERVICE PART	1	
	752	-----	FINDER	NO SERVICE PART	1	
	761	-----	DRESS PANEL	NO SERVICE PART	1	K0
	761	-----	DRESS PANEL	NO SERVICE PART	1	K1
	762	-----	FRONT PANEL	NO SERVICE PART	1	
	768	-----	USB LIGHT LENS	NO SERVICE PART	1	
	769	-----	USB HOLDER	NO SERVICE PART	1	
	770	-----	LCD CASE	NO SERVICE PART	1	
	771	-----	LCD LENS	NO SERVICE PART	1	
	772	-----	REFLECTION SHT	NO SERVICE PART	1	
	773	-----	LIGHTING SHEET	NO SERVICE PART	1	

EXPLODED VIEW (CD MECHANISM: X92-6830-02)

Block No.MBMM

Grease
 ★ W01-1738-08
 ● W01-2067-08



MODEL	MARK	MODEL	MARK
KDC-BT765HD	K0	KDC-X700	K1

Safe	Symbol No.	Parts No.	Parts Name	Description	QTY	Local
EXPLODED VIEW (CD MECHANISM: X92-6830-02) <MBMM>						
	DM1	CM-FC2-MD	MD CHASSIS ASSY		1	
	DM2	CM-FC2-M	LOADING MOTOR ASSY		1	
	DPU1	T2F-0002-00	CD OPT PICKUP		1	
	FPC1	QAL1465-001	FPC		1	
	A	LV45568-001A	MINI SCREW		2	
	B	QYSPSGT1745ZA	TAP SCREW	M1.7 x 4.5mm	1	
	C	QYSPSPT2025MA	SCREW	M2 x 2.5mm	2	
	D	N09-6108-15	TAPTITE SCREW		4	
	E	N09-6738-15	TAPTITE SCREW		4	
	F	N09-6921-05	TAPTITE SCREW		1	
	G	N19-2356-04	FLAT WASHER		2	
	1	A10-5625-21	CHASSIS		1	
	2	A10-5626-01	CHASSIS		1	
	3	D10-7174-03	ARM		1	
	4	D10-7175-03	ARM		1	
	5	D10-7177-02	SLIDER		1	
	6	D10-7178-03	SLIDER		1	
	7	D10-7179-02	SLIDER		1	
	8	D10-7180-03	ARM		1	
	9	D10-7181-13	LEVER		1	
	10	D10-7182-12	LEVER		1	
	11	D10-7183-02	ARM		1	
	12	D10-7184-03	ARM		1	
	13	D10-7185-04	ARM		1	
	14	D10-7186-03	ARM		1	
	15	D10-7187-13	ARM		1	
	18	D13-3104-04	GEAR		1	
	19	D13-3105-04	GEAR		1	
	20	D13-3106-04	GEAR		1	
	21	D13-3107-04	GEAR		1	
	22	D13-3108-04	GEAR		1	
	23	D13-3109-04	WORM		1	
	24	D13-3110-04	GEAR		1	
	25	D13-3111-04	GEAR		1	
	26	D13-3112-04	GEAR		1	
	27	D13-3113-04	GEAR		1	
	28	D13-3114-03	RACK GEAR		1	
	32	D23-0974-14	RETAINER		1	
	33	D39-0403-05	DAMPER		2	
	38	G01-4829-04	EXTEN.SPRING		2	
	39	G01-4813-04	EXTEN.SPRING		1	
	40	G01-4814-04	TOR.COIL SPRING		1	
	41	G01-4815-04	EXTEN.SPRING		1	
	42	G01-4816-04	TOR.COIL SPRING		1	
	43	G01-4817-04	EXTEN.SPRING		1	
	44	LV36813-501A	SUB GUIDE CAP		1	
	46	D2B-0037-00	SHAFT		1	
	47	J11-0692-03	CLAMPER		1	
	49	J19-7360-21	HOLDER		1	
	50	J90-1209-31	GUIDE		1	
	54	CM-FC2-R	ROLLER ASSY		1	
	55	D10-7176-03	ARM		1	
	56	G01-4809-04	EXTEN.SPRING		1	
	57	D39-0404-05	DAMPER		1	
	58	G01-4812-04	EXTEN.SPRING		2	
	816	-----	GEAR	NO SERVICE PART	1	
	817	-----	WORM	NO SERVICE PART	1	
	829	-----	ROLLER	NO SERVICE PART	2	
	830	-----	SHAFT	NO SERVICE PART	1	
	831	-----	RETAINER	NO SERVICE PART	1	
	834	-----	LEAD WIRE	NO SERVICE PART	1	
	835	-----	LEAD WIRE	NO SERVICE PART	1	
	836	-----	LEAD WIRE	NO SERVICE PART	2	
	845	-----	HC TURN TABLE	NO SERVICE PART	1	
	848	-----	HOLDER	NO SERVICE PART	1	
	851	-----	CHASSIS ASSY	NO SERVICE PART	1	
	852	-----	SPINDLE MOTOR	NO SERVICE PART	1	
	853	-----	CD PWB ASSY	NO SERVICE PART	1	
	859	-----	MOTOR	NO SERVICE PART	1	

MODEL	MARK	MODEL	MARK
KDC-BT765HD	K0	KDC-X700	K1

Safe	Symbol No.	Parts No.	Parts Name	Description	QTY	Local
MAIN PWB ASSY (XL1-001K-0x) <XL1>						
	IC101	TC74HCT4053FT	MOS IC		1	
	IC102	NJM8065V	ANALOG IC		1	
	IC161	NJM8065V	ANALOG IC		1	
	IC162	NJM8065V	ANALOG IC		1	
	IC163	NJM8065V	ANALOG IC		1	
	IC164	NJM11100F1	ANALOG IC		1	
	IC220	NJM8065V	ANALOG IC		1	
△	IC301	JCV8034	IC		1	
	IC411	MFI337S395901	MCU IC		1	
	IC470	TC7SH08FUJF	MOS IC		1	
	IC540	BD2242G-G	MOS IC		1	
△	IC701	STA1080	MPU IC		1	
	IC702	TC7SH08FUJF	MOS IC		1	
△	IC821	W3F-0151-00	ROM IC		1	
△	IC822	W25Q16DVSSIG	ROM IC		1	
	IC831	BU4228F-W	IC		1	
	IC841	BR24T02FJ-W-X	IC		1	
	IC851	BD00IA5WEFJ	ANALOG IC		1	
	IC862	MP9943AGQ	ANALOG IC		1	
△	IC901	LV5685PV-H	ANALOG IC		1	
	IC930	BD33IC0WEFJ	ANALOG IC		1	
	IC941	BU33TD3WG	MOS IC		1	
	IC1303	W0C-0168-00	CIRCUIT MODULE		1	
	Q220	2SC1623/5-6/-X	TRANSISTOR		1	
	Q240	IMX9-W	PAIR TRANSISTOR		1	
	Q270	LTA024EEB-X	DIGI TRANSISTOR		1	
	Q271	LSAR523UBFS8	TRANSISTOR		1	
	Q272	LTC024EEB-X	DIGI TRANSISTOR		1	
	Q273	LTA024EEB-X	DIGI TRANSISTOR		1	
	Q370	IMX9-W	PAIR TRANSISTOR		1	
	Q380	IMX9-W	PAIR TRANSISTOR		1	
	Q470	LTC014EEBFS8	DIGI TRANSISTOR		1	
	Q471	LTC043TEB-X	DIGI TRANSISTOR		1	
	Q880	LTC043EUBFS8	DIGI TRANSISTOR		1	
	Q920	LTA014YEBFS8	DIGI TRANSISTOR		1	
	Q960	RSQ030P03-W	MOS FET		1	
	Q961	LTC044EUBFS8	DIGI TRANSISTOR		1	
	Q962	RTR020P02	FET		1	
	Q963	LTC014EUBFS8	DIGI TRANSISTOR		1	
	Q2001	LTC043TEB-X	DIGI TRANSISTOR		1	
	Q2002	LTA043EEBFS8	DIGI TRANSISTOR		1	
	Q2010	LTC043TEB-X	DIGI TRANSISTOR		1	
	Q2011	LTC043TEB-X	DIGI TRANSISTOR		1	
	Q2020	LTC043TEB-X	DIGI TRANSISTOR		1	
	Q2021	LTC043TEB-X	DIGI TRANSISTOR		1	
	Q2030	LTC043TEB-X	DIGI TRANSISTOR		1	
	Q2031	LTC043TEB-X	DIGI TRANSISTOR		1	
	D100	DZ2J075M	ZENER DIODE		1	
	D101	DZ2J075M	ZENER DIODE		1	
	D220	DZ2J068M	ZENER DIODE		1	
	D221	DZ2J068M	ZENER DIODE		1	
	D222	DZ2J056M	ZENER DIODE		1	
	D271	BAW56-TP-X	SI DIODE		1	
	D273	DA2J101	DIODE		1	
	D370	BAW56-TP-X	SI DIODE		1	
	D390	MBRX130	SCHOTTKY DIODE		1	
	D391	MBR0530-X	SB DIODE		1	
	D400	RB521SM-30-X	SB DIODE		1	
	D401	DZ2J051M	ZENER DIODE		1	
	D471	RSB6.8SM-X	BP Z DIODE		1	
	D472	RSB6.8SM-X	BP Z DIODE		1	
	D473	RSB6.8SM-X	BP Z DIODE		1	
	D474	RSB6.8SM-X	BP Z DIODE		1	
	D475	DZ2J068M	ZENER DIODE		1	
	D476	DZ2J068M	ZENER DIODE		1	
	D701	DZ2J051M	ZENER DIODE		1	
	D702	DZ2J051M	ZENER DIODE		1	
	D704	DZ2J051M	ZENER DIODE		1	
	D706	DZ2J051M	ZENER DIODE		1	
	D707	DZ2J051M	ZENER DIODE		1	
	D709	DZ2J051M	ZENER DIODE		1	
	D710	DZ2J051M	ZENER DIODE		1	
	D711	DZ2J051M	ZENER DIODE		1	
	D862	DB22306	SCHOTTKY DIODE		1	
	D902	SK34A-L-X	SB DIODE		1	
	D903	SK34A-L-X	SB DIODE		1	
	D930	GS1J-LTP	DIODE		1	
△	D990	1N5401-BPC04	SI DIODE		1	
	D2003	DA2J101	DIODE		1	
	D2004	DA2J101	DIODE		1	
	D2005	MBRX130	SCHOTTKY DIODE		1	
	D2101	DA2J101	DIODE		1	
	D2102	DA2J101	DIODE		1	
	C103	CK73FXR1C475K	C CAPACITOR	4.7uF 16V K	1	
	C104	CK73FXR1C106K	C CAPACITOR	10uF 16V K	1	
	C105	CK73FXR1C475K	C CAPACITOR	4.7uF 16V K	1	
	C106	CK73GXR1A105K	C CAPACITOR	1uF 10V K	1	
	C120	CC73HCH1H180J	C CAPACITOR	18pF 50V J	1	
	C121	CC73HCH1H180J	C CAPACITOR	18pF 50V J	1	
	C122	CK73FXR1C475K	C CAPACITOR	4.7uF 16V K	1	
	C123	CK73FXR1C475K	C CAPACITOR	4.7uF 16V K	1	

MODEL	MARK	MODEL	MARK
KDC-BT765HD	K0	KDC-X700	K1

Safe	Symbol No.	Parts No.	Parts Name	Description	QTY	Local
	C124	CC73HCH1H050C	C CAPACITOR	5pF 50V C	1	
	C125	CC73HCH1H050C	C CAPACITOR	5pF 50V C	1	
	C126	CK73FXR1C106K	C CAPACITOR	10uF 16V K	1	
	C127	CK73FXR1C106K	C CAPACITOR	10uF 16V K	1	
	C146	CK73HBB1H221K	C CAPACITOR	220pF 50V K	1	
	C160	CK73FXR1C106K	C CAPACITOR	10uF 16V K	1	
	C161	CK73FXR1C106K	C CAPACITOR	10uF 16V K	1	
	C162	CC73HCH1H270J	C CAPACITOR	27pF 50V J	1	
	C163	CK73HBB1H221K	C CAPACITOR	220pF 50V K	1	
	C164	CC73HCH1H270J	C CAPACITOR	27pF 50V J	1	
	C165	CK73FXR1C106K	C CAPACITOR	10uF 16V K	1	
	C166	CC73HCH1H270J	C CAPACITOR	27pF 50V J	1	
	C167	CK73FXR1C106K	C CAPACITOR	10uF 16V K	1	
	C169	CK73FXR1C106K	C CAPACITOR	10uF 16V K	1	
	C170	CC73HCH1H270J	C CAPACITOR	27pF 50V J	1	
	C171	CK73FXR1C106K	C CAPACITOR	10uF 16V K	1	
	C172	CC73HCH1H270J	C CAPACITOR	27pF 50V J	1	
	C173	CK73FXR1C106K	C CAPACITOR	10uF 16V K	1	
	C174	CK73HBB1H221K	C CAPACITOR	220pF 50V K	1	
	C175	CC73HCH1H270J	C CAPACITOR	27pF 50V J	1	
	C176	CC73HCH1H270J	C CAPACITOR	27pF 50V J	1	
	C177	CK73FXR1C106K	C CAPACITOR	10uF 16V K	1	
	C179	CK73FXR1C106K	C CAPACITOR	10uF 16V K	1	
	C180	CK73FXR1C106K	C CAPACITOR	10uF 16V K	1	
	C181	CK73FXR1C106K	C CAPACITOR	10uF 16V K	1	
	C182	CC73HCH1H270J	C CAPACITOR	27pF 50V J	1	
	C183	CK73HBB1H221K	C CAPACITOR	220pF 50V K	1	
	C184	CC73HCH1H270J	C CAPACITOR	27pF 50V J	1	
	C185	CK73FXR1C106K	C CAPACITOR	10uF 16V K	1	
	C186	CC73HCH1H270J	C CAPACITOR	27pF 50V J	1	
	C187	CK73FXR1C106K	C CAPACITOR	10uF 16V K	1	
	C189	CK73FXR1C106K	C CAPACITOR	10uF 16V K	1	
	C190	CK73HBB1H221K	C CAPACITOR	220pF 50V K	1	
	C191	CK73FXR0J106K	C CAPACITOR	10uF 6.3V K	1	
	C192	CK73FXR0J106K	C CAPACITOR	10uF 6.3V K	1	
	C193	CK73HBB1C103K	C CAPACITOR	0.01uF 16V K	1	
	C194	CK73FXR1C106K	C CAPACITOR	10uF 16V K	1	
	C195	CC73HCH1H270J	C CAPACITOR	27pF 50V J	1	
	C196	CC73HCH1H270J	C CAPACITOR	27pF 50V J	1	
	C197	CK73FXR1C106K	C CAPACITOR	10uF 16V K	1	
	C198	CK73HBB1H221K	C CAPACITOR	220pF 50V K	1	
	C222	CK73GBB1H333K	C CAPACITOR	0.033uF 50V K	1	
	C223	CK73GBB1H333K	C CAPACITOR	0.033uF 50V K	1	
	C224	CK73HXR1A105K	C CAPACITOR	1uF 10V K	1	
	C225	CK73HXR1A105K	C CAPACITOR	1uF 10V K	1	
	C226	CC73HCH1H220J	C CAPACITOR	22pF 50V J	1	
	C227	CK73HBB1H471K	C CAPACITOR	470pF 50V K	1	
	C228	CK73HXR1A105K	C CAPACITOR	1uF 10V K	1	
	C229	CK73HXR1A105K	C CAPACITOR	1uF 10V K	1	
	C230	CK73HXR1A105K	C CAPACITOR	1uF 10V K	1	
	C231	CK73HBB1H471K	C CAPACITOR	470pF 50V K	1	
	C234	CK73GXR1C105K	C CAPACITOR	1uF 16V K	1	
	C235	CK73GXR1C105K	C CAPACITOR	1uF 16V K	1	
	C236	CK73HBB1A104K	C CAPACITOR	0.1uF 10V K	1	
	C237	CK73HBB1C103K	C CAPACITOR	0.01uF 16V K	1	
	C251	CK73EXR1A106K	C CAPACITOR	10uF 10V K	1	
	C261	CK73EXR1A106K	C CAPACITOR	10uF 10V K	1	
	C273	CK73GXR1A105K	C CAPACITOR	1uF 10V K	1	
	C304	CD04AV1C470M	E CAPACITOR	47uF 16V M	1	
	C311	CK73FBB0J475K	C CAPACITOR	4.7uF 6.3V K	1	
	C312	CK730AV1C105K	C CAPACITOR	1uF 16V K	1	
	C316	CK730AV1C224K	C CAPACITOR	0.22uF 16V K	1	
	C317	CK730AV1C224K	C CAPACITOR	0.22uF 16V K	1	
	C318	CK730AV1C224K	C CAPACITOR	0.22uF 16V K	1	
	C319	CK730AV1C224K	C CAPACITOR	0.22uF 16V K	1	
	C321	CK73EXR1A106K	C CAPACITOR	10uF 10V K	1	
	C331	CK73EXR1A106K	C CAPACITOR	10uF 10V K	1	
	C341	CK73EXR1A106K	C CAPACITOR	10uF 10V K	1	
	C351	CK73EXR1A106K	C CAPACITOR	10uF 10V K	1	
	C370	CK73GXR1H104K	C CAPACITOR	0.1uF 50V K	1	
	C390	CK73FBB1H224K	C CAPACITOR	0.22uF 50V K	1	
	C391	CK73FBB1H224K	C CAPACITOR	0.22uF 50V K	1	
	C402	CK73GXR1H104K	C CAPACITOR	0.1uF 50V K	1	
	C410	CK73GXR1H104K	C CAPACITOR	0.1uF 50V K	1	
	C472	CK73GXR1H104K	C CAPACITOR	0.1uF 50V K	1	
	C473	CK73FXR1C106K	C CAPACITOR	10uF 16V K	1	
	C474	CK73GXR1C225K	C CAPACITOR	2.2uF 16V K	1	
	C475	CK73GXR1C225K	C CAPACITOR	2.2uF 16V K	1	
	C540	CK73GXR1C105K	C CAPACITOR	1uF 16V K	1	
	C541	CK73GXR1C105K	C CAPACITOR	1uF 16V K	1	
	C542	CK73FXR0J106K	C CAPACITOR	10uF 6.3V K	1	
	C625	CK73GBB1H472K	C CAPACITOR	4700pF 50V K	1	
	C626	CK73FXR0J106K	C CAPACITOR	10uF 6.3V K	1	
	C627	CK73GXR1H104K	C CAPACITOR	0.1uF 50V K	1	
	C628	CC73GCH1H050C	C CAPACITOR	5pF 50V C	1	
	C629	CC73GCH1H020C	C CAPACITOR	2pF 50V C	1	
	C702	CK73FXR1C106K	C CAPACITOR	10uF 16V K	1	
	C703	CK73HBB1H103K	C CAPACITOR	0.01uF 50V K	1	
	C704	CC73HCH1H150J	C CAPACITOR	15pF 50V J	1	
	C705	CC73HCH1H150J	C CAPACITOR	15pF 50V J	1	
	C706	CK73FXR1C106K	C CAPACITOR	10uF 16V K	1	
	C707	CK73HBB1E223K	C CAPACITOR	0.022uF 25V K	1	

MODEL	MARK	MODEL	MARK
KDC-BT765HD	K0	KDC-X700	K1

Safe	Symbol No.	Parts No.	Parts Name	Description	QTY	Local
	C708	CC73GCH1H101J	C CAPACITOR	100pF 50V J	1	
	C709	CC73GCH1H100D	C CAPACITOR	10pF 50V D	1	
	C710	CK73HBB1H222K	C CAPACITOR	2200pF 50V K	1	
	C711	CK73GBB1H471K	C CAPACITOR	470pF 50V K	1	
	C713	CK73GXR1A105K	C CAPACITOR	1uF 10V K	1	
	C714	CK73GBB1H103K	C CAPACITOR	0.01uF 50V K	1	
	C716	CC73GCH1H101J	C CAPACITOR	100pF 50V J	1	
	C719	CK73GXR1A105K	C CAPACITOR	1uF 10V K	1	
	C720	CK73GXR1H104K	C CAPACITOR	0.1uF 50V K	1	
	C722	CK73FXR0J106K	C CAPACITOR	10uF 6.3V K	1	
	C724	CK73GBB1H103K	C CAPACITOR	0.01uF 50V K	1	
	C725	CK73FXR1C106K	C CAPACITOR	10uF 16V K	1	
	C726	CK73GBB1H103K	C CAPACITOR	0.01uF 50V K	1	
	C727	CK73FXR1C106K	C CAPACITOR	10uF 16V K	1	
	C728	CC73GCH1H101J	C CAPACITOR	100pF 50V J	1	
	C729	CK73FXR1A475K	C CAPACITOR	4.7uF 10V K	1	
	C730	CC73GCH1H101J	C CAPACITOR	100pF 50V J	1	
	C731	CK73FXR1A475K	C CAPACITOR	4.7uF 10V K	1	
	C733	CK73GXR0J475K	C CAPACITOR	4.7uF 6.3V K	1	
	C735	CK73GBB1H472K	C CAPACITOR	4700pF 50V K	1	
	C736	CC73HCH1H070D	C CAPACITOR	7pF 50V D	1	
	C737	CC73HCH1H070D	C CAPACITOR	7pF 50V D	1	
	C738	CK73GBB1H472K	C CAPACITOR	4700pF 50V K	1	
	C740	CK73GBB1H472K	C CAPACITOR	4700pF 50V K	1	
	C741	CC73GCH1H100D	C CAPACITOR	10pF 50V D	1	
	C742	CC73GCH1H101J	C CAPACITOR	100pF 50V J	1	
	C750	CK73FXR1A475K	C CAPACITOR	4.7uF 10V K	1	
	C756	CK73HXR1A105K	C CAPACITOR	1uF 10V K	1	
	C757	CC73HCH1H330J	C CAPACITOR	33pF 50V J	1	
	C820	CK73GBB1H472K	C CAPACITOR	4700pF 50V K	1	
	C821	CK73GBB1H471K	C CAPACITOR	470pF 50V K	1	
	C824	CC73GCH1H101J	C CAPACITOR	100pF 50V J	1	
	C830	CK73HBB1H471K	C CAPACITOR	470pF 50V K	1	
	C831	CK73GXR1C105K	C CAPACITOR	1uF 16V K	1	
	C840	CK73GBB1C473K	C CAPACITOR	0.047uF 16V K	1	
	C851	CK73FXR1C475K	C CAPACITOR	4.7uF 16V K	1	
	C868	QEZ0850-157Z	E CAPACITOR	150uF	1	
	C871	CK73HBB0J224K	C CAPACITOR	0.22uF 6.3V K	1	
	C873	CK73EBB1A106K	C CAPACITOR	10uF 10V K	1	
	C876	CK73GXR1H104K	C CAPACITOR	0.1uF 50V K	1	
	C878	CK73EBB1A106K	C CAPACITOR	10uF 10V K	1	
	C880	CK73HBB1A104K	C CAPACITOR	0.1uF 10V K	1	
	C881	CK73GBB1C224K	C CAPACITOR	0.22uF 16V K	1	
	C883	CC73HCH1H150J	C CAPACITOR	15pF 50V J	1	
	C903	CD04AS1C220M	E CAPACITOR	22uF 16V M	1	
	C904	CK73GXR1A105K	C CAPACITOR	1uF 10V K	1	
	C905	CD04AR1C471M	E CAPACITOR	470uF 16V M	1	
	C906	CK73GXR1A105K	C CAPACITOR	1uF 10V K	1	
	C907	CD04AS0J101M	E CAPACITOR	100uF 6.3V M	1	
	C908	CK73GXR1A105K	C CAPACITOR	1uF 10V K	1	
	C909	CK73GXR1H104K	C CAPACITOR	0.1uF 50V K	1	
	C911	CK73GXR1H104K	C CAPACITOR	0.1uF 50V K	1	
	C912	CK73GXR1A105K	C CAPACITOR	1uF 10V K	1	
	C914	CK73GXR1A105K	C CAPACITOR	1uF 10V K	1	
	C916	CK73GBB1H103K	C CAPACITOR	0.01uF 50V K	1	
	C930	CK73GXR1H104K	C CAPACITOR	0.1uF 50V K	1	
	C931	CK73FXR0J106K	C CAPACITOR	10uF 6.3V K	1	
	C932	CK73GXR1A105K	C CAPACITOR	1uF 10V K	1	
	C940	CK73FXR0J106K	C CAPACITOR	10uF 6.3V K	1	
	C941	CK73GXR1H104K	C CAPACITOR	0.1uF 50V K	1	
	C942	CK73GXR1C105K	C CAPACITOR	1uF 16V K	1	
	C960	CK73GXR1A105K	C CAPACITOR	1uF 10V K	1	
	C990	QEZ0981-228	E CAPACITOR	2200uF	1	
	C1003	CK73GXR1H104K	C CAPACITOR	0.1uF 50V K	1	
	C1020	CK73GBB1C104K	C CAPACITOR	0.1uF 16V K	1	
	C1034	CK73GXR1H104K	C CAPACITOR	0.1uF 50V K	1	
	C1052	CC73HCH1H050C	C CAPACITOR	5pF 50V C	1	
	C1243	CK73GXR1A105K	C CAPACITOR	1uF 10V K	1	
	C1252	CC73GCH1H020C	C CAPACITOR	2pF 50V C	1	
	C1253	CC73GCH1H020C	C CAPACITOR	2pF 50V C	1	
	C1300	CK73GXR1A105K	C CAPACITOR	1uF 10V K	1	
	C1301	CK73GBB1H103K	C CAPACITOR	0.01uF 50V K	1	
	C1431	CK73GXR1H104K	C CAPACITOR	0.1uF 50V K	1	
	C1604	CK73GXR1H104K	C CAPACITOR	0.1uF 50V K	1	
	C1701	CK73GBB1H472K	C CAPACITOR	4700pF 50V K	1	
	C1702	CK73GBB1H472K	C CAPACITOR	4700pF 50V K	1	
	C1900	CK73GBB1H103K	C CAPACITOR	0.01uF 50V K	1	
	C1901	CK73GBB1H472K	C CAPACITOR	4700pF 50V K	1	
	C2001	CC73GCH1H330J	C CAPACITOR	33pF 50V J	1	
	C2002	CK73GBB1H103K	C CAPACITOR	0.01uF 50V K	1	
	C2003	CK73GXR1H104K	C CAPACITOR	0.1uF 50V K	1	
	C2004	CK73GBB1H103K	C CAPACITOR	0.01uF 50V K	1	
	C2005	CK73GBB1H471K	C CAPACITOR	470pF 50V K	1	
	C2006	CK73GBB1H471K	C CAPACITOR	470pF 50V K	1	
	C2007	CK73GXR1H104K	C CAPACITOR	0.1uF 50V K	1	
	C2010	CK73FXR0J106K	C CAPACITOR	10uF 6.3V K	1	
	C2011	CK73GBB1H103K	C CAPACITOR	0.01uF 50V K	1	
	C2012	CK73GXR1H104K	C CAPACITOR	0.1uF 50V K	1	
	C2013	CK73GBB1H103K	C CAPACITOR	0.01uF 50V K	1	
	C2015	CK73GBB1H472K	C CAPACITOR	4700pF 50V K	1	
	C2019	CK73GXR1H104K	C CAPACITOR	0.1uF 50V K	1	
	C2020	CK73GXR1A105K	C CAPACITOR	1uF 10V K	1	
	C2021	CK73GBB1H472K	C CAPACITOR	4700pF 50V K	1	

MODEL	MARK	MODEL	MARK
KDC-BT765HD	K0	KDC-X700	K1

Safe	Symbol No.	Parts No.	Parts Name	Description	QTY	Local
	C2022	CK73GXR1H104K	C CAPACITOR	0.1uF 50V K	1	
	C2023	CK73GGB1H472K	C CAPACITOR	4700pF 50V K	1	
	C2024	CK73GGB1H471K	C CAPACITOR	470pF 50V K	1	
	C2025	CK73HBB1C103K	C CAPACITOR	0.01uF 16V K	1	
	C2026	CK73FXR0J106K	C CAPACITOR	10uF 6.3V K	1	
	C2029	CC73GCH1H050C	C CAPACITOR	5pF 50V C	1	
	C2030	CC73GCH1H050C	C CAPACITOR	5pF 50V C	1	
	C2031	CK73GGB1H103K	C CAPACITOR	0.01uF 50V K	1	
	C2032	CC73GCH1H050C	C CAPACITOR	5pF 50V C	1	
	C2033	CK73GGB1H103K	C CAPACITOR	0.01uF 50V K	1	
	C2034	CK73GGB1H103K	C CAPACITOR	0.01uF 50V K	1	
	C2035	CK73GXR1A105K	C CAPACITOR	1uF 10V K	1	
	C2036	CK73GGB1H103K	C CAPACITOR	0.01uF 50V K	1	
	C2038	CC73GCH1H101J	C CAPACITOR	100pF 50V J	1	
	C2040	CC73GCH1H100D	C CAPACITOR	10pF 50V D	1	
	C2041	CC73HCH1H101J	C CAPACITOR	100pF 50V J	1	
	C2042	CC73GCH1H101J	C CAPACITOR	100pF 50V J	1	
	C2043	CK73GGB1H103K	C CAPACITOR	0.01uF 50V K	1	
	C2044	CC73GCH1H101J	C CAPACITOR	100pF 50V J	1	
	C2045	CK73GGB1H472K	C CAPACITOR	4700pF 50V K	1	
	C2046	CK73GGB1H103K	C CAPACITOR	0.01uF 50V K	1	
	C2050	CK73GXR1A105K	C CAPACITOR	1uF 10V K	1	
	C2051	CC73HCH1H050C	C CAPACITOR	5pF 50V C	1	
	C2052	CC73GCH1H470J	C CAPACITOR	47pF 50V J	1	
	C2054	CK73GXR1H104K	C CAPACITOR	0.1uF 50V K	1	
	C2055	CK73FXR1C106K	C CAPACITOR	10uF 16V K	1	
	C2058	CK73GGB1H103K	C CAPACITOR	0.01uF 50V K	1	
	C2060	CK73GGB1H472K	C CAPACITOR	4700pF 50V K	1	
	C2061	CK73GGB1H103K	C CAPACITOR	0.01uF 50V K	1	
	C2062	CK73HBB1A104K	C CAPACITOR	0.1uF 10V K	1	
	C2063	CK73GGB1H103K	C CAPACITOR	0.01uF 50V K	1	
	C2064	CC73GCH1H101J	C CAPACITOR	100pF 50V J	1	
	C2065	CK73GXR1A105K	C CAPACITOR	1uF 10V K	1	
	C2066	CK73GXR1A105K	C CAPACITOR	1uF 10V K	1	
	C2067	CC73GCH1H101J	C CAPACITOR	100pF 50V J	1	
	C2069	CK73GGB1H472K	C CAPACITOR	4700pF 50V K	1	
	C2070	CK73GGB1H103K	C CAPACITOR	0.01uF 50V K	1	
	C2072	CK73HBB1H472K	C CAPACITOR	4700pF 50V K	1	
	C2073	CC73HCH1H101J	C CAPACITOR	100pF 50V J	1	
	C2074	CK73EBB1E105K	C CAPACITOR	1uF 25V K	1	
	C2076	CC73GCH1H330J	C CAPACITOR	33pF 50V J	1	
	C2077	CK73GXR1C105K	C CAPACITOR	1uF 16V K	1	
	C2080	CC73GCH1H330J	C CAPACITOR	33pF 50V J	1	
	C2082	CK73GGB1H103K	C CAPACITOR	0.01uF 50V K	1	
	C2083	CK73GGB1H471K	C CAPACITOR	470pF 50V K	1	
	C2085	CC73HCH1H050C	C CAPACITOR	5pF 50V C	1	
	C2087	CC73HCH1H101J	C CAPACITOR	100pF 50V J	1	
	C2088	CK73FXR0J106K	C CAPACITOR	10uF 6.3V K	1	
	C2089	CK73HBB1H331K	C CAPACITOR	330pF 50V K	1	
	C2090	CK73HBB1H331K	C CAPACITOR	330pF 50V K	1	
	C2091	CK73GXR0J475K	C CAPACITOR	4.7uF 6.3V K	1	
	C2092	CK73GXR0J475K	C CAPACITOR	4.7uF 6.3V K	1	
	C2093	CK73HBB1H331K	C CAPACITOR	330pF 50V K	1	
	C2094	CK73HBB1H331K	C CAPACITOR	330pF 50V K	1	
	C2095	CK73GXR0J475K	C CAPACITOR	4.7uF 6.3V K	1	
	C2096	CK73GXR0J475K	C CAPACITOR	4.7uF 6.3V K	1	
	C2097	CK73HBB1H331K	C CAPACITOR	330pF 50V K	1	
	C2098	CK73HBB1H331K	C CAPACITOR	330pF 50V K	1	
	C2099	CK73GXR0J475K	C CAPACITOR	4.7uF 6.3V K	1	
	C2100	CK73GXR0J475K	C CAPACITOR	4.7uF 6.3V K	1	
	C2101	CK73FXR1C106K	C CAPACITOR	10uF 16V K	1	
	C2102	CK73FXR1C106K	C CAPACITOR	10uF 16V K	1	
	C2103	CK73FXR1A106K	C CAPACITOR	10uF 10V K	1	
	C2104	CK73GGB1H103K	C CAPACITOR	0.01uF 50V K	1	
	C2111	CK73GGB1H471K	C CAPACITOR	470pF 50V K	1	
	C2112	CK73GGB1H472K	C CAPACITOR	4700pF 50V K	1	
	C2114	CK73GGB1H472K	C CAPACITOR	4700pF 50V K	1	
	C2115	CK73GGB1H472K	C CAPACITOR	4700pF 50V K	1	
	C2116	CK73GGB1H103K	C CAPACITOR	0.01uF 50V K	1	
	C2120	CK73GXR1H104K	C CAPACITOR	0.1uF 50V K	1	
	C2213	CK73GXR1H104K	C CAPACITOR	0.1uF 50V K	1	
	C2216	CK73GGB1H472K	C CAPACITOR	4700pF 50V K	1	
	R100	RK73GB2A471J	MG RESISTOR	470Ω 1/10W J	1	
	R101	RK73HB1J000J	MG RESISTOR	0Ω 1/16W J	1	
	R102	RK73HB1J000J	MG RESISTOR	0Ω 1/16W J	1	
	R110	RK73HB1J473J	MG RESISTOR	47kΩ 1/16W J	1	
	R111	RK73HB1J473J	MG RESISTOR	47kΩ 1/16W J	1	
	R112	RK73HB1J473J	MG RESISTOR	47kΩ 1/16W J	1	
	R113	RK73GB2A473J	MG RESISTOR	47kΩ 1/10W J	1	
	R114	RK73HB1J473J	MG RESISTOR	47kΩ 1/16W J	1	
	R115	RK73HB1J473J	MG RESISTOR	47kΩ 1/16W J	1	
	R120	RK73HB1J913J	MG RESISTOR	91kΩ 1/16W J	1	
	R121	RK73HB1J913J	MG RESISTOR	91kΩ 1/16W J	1	
	R122	RK73HB1J913J	MG RESISTOR	91kΩ 1/16W J	1	
	R123	RK73HB1J913J	MG RESISTOR	91kΩ 1/16W J	1	
	R124	RK73HB1J473J	MG RESISTOR	47kΩ 1/16W J	1	
	R125	RK73HB1J473J	MG RESISTOR	47kΩ 1/16W J	1	
	R126	RK73HB1J473J	MG RESISTOR	47kΩ 1/16W J	1	
	R127	RK73HB1J473J	MG RESISTOR	47kΩ 1/16W J	1	
	R146	RK73GB2A123J	MG RESISTOR	12kΩ 1/10W J	1	
	R147	RK73HB1J000J	MG RESISTOR	0Ω 1/16W J	1	
	R148	RK73HB1J153J	MG RESISTOR	15kΩ 1/16W J	1	

MODEL	MARK	MODEL	MARK
KDC-BT765HD	K0	KDC-X700	K1

Safe	Symbol No.	Parts No.	Parts Name	Description	QTY	Local
	R149	RK73HB1J000J	MG RESISTOR	0Ω 1/16W J	1	
	R150	RK73GB2A123J	MG RESISTOR	12kΩ 1/10W J	1	
	R151	RK73HB1J153J	MG RESISTOR	15kΩ 1/16W J	1	
	R152	RK73GB2A120J	MG RESISTOR	12Ω 1/10W J	1	
	R153	RK73GB2A200J	MG RESISTOR	20Ω 1/10W J	1	
	R154	RK73GB2A120J	MG RESISTOR	12Ω 1/10W J	1	
	R155	RK73GB2A200J	MG RESISTOR	20Ω 1/10W J	1	
	R156	RK73GB2A200J	MG RESISTOR	20Ω 1/10W J	1	
	R157	RK73GB2A200J	MG RESISTOR	20Ω 1/10W J	1	
	R158	RK73GB2A000J	MG RESISTOR	0Ω 1/10W J	1	
	R159	RK73GB2A000J	MG RESISTOR	0Ω 1/10W J	1	
	R160	RK73HB1J000J	MG RESISTOR	0Ω 1/16W J	1	
	R161	RK73GB2A202J	MG RESISTOR	2kΩ 1/10W J	1	
	R162	RK73HB1J823J	MG RESISTOR	82kΩ 1/16W J	1	
	R163	RK73HB1J153J	MG RESISTOR	15kΩ 1/16W J	1	
	R164	RK73HB1J823J	MG RESISTOR	82kΩ 1/16W J	1	
	R165	RK73GB2A123J	MG RESISTOR	12kΩ 1/10W J	1	
	R166	RK73HB1J153J	MG RESISTOR	15kΩ 1/16W J	1	
	R167	RK73GB2A120J	MG RESISTOR	12Ω 1/10W J	1	
	R168	RK73GB2A200J	MG RESISTOR	20Ω 1/10W J	1	
	R169	RK73HB1J153J	MG RESISTOR	15kΩ 1/16W J	1	
	R170	RK73GB2A202J	MG RESISTOR	2kΩ 1/10W J	1	
	R171	RK73HB1J823J	MG RESISTOR	82kΩ 1/16W J	1	
	R172	RK73HB1J823J	MG RESISTOR	82kΩ 1/16W J	1	
	R173	RK73GB2A202J	MG RESISTOR	2kΩ 1/10W J	1	
	R174	RK73HB1J823J	MG RESISTOR	82kΩ 1/16W J	1	
	R175	RK73HB1J153J	MG RESISTOR	15kΩ 1/16W J	1	
	R176	RK73HB1J823J	MG RESISTOR	82kΩ 1/16W J	1	
	R177	RK73GB2A120J	MG RESISTOR	12Ω 1/10W J	1	
	R178	RK73GB2A123J	MG RESISTOR	12kΩ 1/10W J	1	
	R179	RK73HB1J000J	MG RESISTOR	0Ω 1/16W J	1	
	R180	RK73HB1J153J	MG RESISTOR	15kΩ 1/16W J	1	
	R181	RK73HB1J153J	MG RESISTOR	15kΩ 1/16W J	1	
	R182	RK73GB2A202J	MG RESISTOR	2kΩ 1/10W J	1	
	R183	RK73HB1J823J	MG RESISTOR	82kΩ 1/16W J	1	
	R184	RK73HB1J392D	MG RESISTOR	3.9kΩ 1/16W D	1	
	R185	RK73GB2A123J	MG RESISTOR	12kΩ 1/10W J	1	
	R186	RK73HB1J823J	MG RESISTOR	82kΩ 1/16W J	1	
	R187	RK73HB1J153J	MG RESISTOR	15kΩ 1/16W J	1	
	R188	RK73HB1J823J	MG RESISTOR	82kΩ 1/16W J	1	
	R189	RK73HB1J000J	MG RESISTOR	0Ω 1/16W J	1	
	R190	RK73GB2A202J	MG RESISTOR	2kΩ 1/10W J	1	
	R191	RK73HB1J153J	MG RESISTOR	15kΩ 1/16W J	1	
	R192	RK73GB2A200J	MG RESISTOR	20Ω 1/10W J	1	
	R193	RK73HB1J153J	MG RESISTOR	15kΩ 1/16W J	1	
	R194	RK73GB2A202J	MG RESISTOR	2kΩ 1/10W J	1	
	R195	RK73HB1J823J	MG RESISTOR	82kΩ 1/16W J	1	
	R196	RK73HB1J823J	MG RESISTOR	82kΩ 1/16W J	1	
	R197	RK73HB1J823J	MG RESISTOR	82kΩ 1/16W J	1	
	R198	RK73HB1J102D	MG RESISTOR	1kΩ 1/16W D	1	
	R199	RK73GB2A123J	MG RESISTOR	12kΩ 1/10W J	1	
	R200	RK73GB2A000J	MG RESISTOR	0Ω 1/10W J	1	
	R201	RK73GB2A000J	MG RESISTOR	0Ω 1/10W J	1	
	R220	RK73HB1J101J	MG RESISTOR	100Ω 1/16W J	1	
	R221	RK73HB1J101J	MG RESISTOR	100Ω 1/16W J	1	
	R222	RK73GB2A000J	MG RESISTOR	0Ω 1/10W J	1	
	R223	RK73HB1J822J	MG RESISTOR	8.2kΩ 1/16W J	1	
	R224	RK73HB1J103J	MG RESISTOR	10kΩ 1/16W J	1	
	R225	RK73HB1J333J	MG RESISTOR	33kΩ 1/16W J	1	
	R226	RK73HB1J122J	MG RESISTOR	1.2kΩ 1/16W J	1	
	R227	RK73HB1J124J	MG RESISTOR	120kΩ 1/16W J	1	
	R229	RK73HB1J122J	MG RESISTOR	1.2kΩ 1/16W J	1	
	R230	RK73HB1J124J	MG RESISTOR	120kΩ 1/16W J	1	
	R231	RK73HB1J103J	MG RESISTOR	10kΩ 1/16W J	1	
	R232	RK73HB1J103J	MG RESISTOR	10kΩ 1/16W J	1	
	R233	RK73GB2A681J	MG RESISTOR	680Ω 1/10W J	1	
	R234	RK73GB2A222J	MG RESISTOR	2.2kΩ 1/10W J	1	
	R236	RK73GB2A000J	MG RESISTOR	0Ω 1/10W J	1	
	R237	RK73GB2A471J	MG RESISTOR	470Ω 1/10W J	1	
	R238	RK73HB1J103J	MG RESISTOR	10kΩ 1/16W J	1	
	R239	RK73HB1J000J	MG RESISTOR	0Ω 1/16W J	1	
	R240	RK73HB1J153J	MG RESISTOR	15kΩ 1/16W J	1	
	R250	RK73GB2A181J	MG RESISTOR	180Ω 1/10W J	1	
	R251	RK73HB1J223J	MG RESISTOR	22kΩ 1/16W J	1	
	R252	RK73GB2A331J	MG RESISTOR	330Ω 1/10W J	1	
	R254	RK73HB1J472J	MG RESISTOR	4.7kΩ 1/16W J	1	
	R260	RK73GB2A181J	MG RESISTOR	180Ω 1/10W J	1	
	R261	RK73HB1J223J	MG RESISTOR	22kΩ 1/16W J	1	
	R262	RK73GB2A331J	MG RESISTOR	330Ω 1/10W J	1	
	R264	RK73HB1J472J	MG RESISTOR	4.7kΩ 1/16W J	1	
	R270	RK73GB2A104J	MG RESISTOR	100kΩ 1/10W J	1	
	R271	RK73GB2A331J	MG RESISTOR	330Ω 1/10W J	1	
	R272	RK73HB1J303J	MG RESISTOR	30kΩ 1/16W J	1	
	R273	RK73EB2E223J	MG RESISTOR	22kΩ 1/4W J	1	
	R302	RK73GB2A821J	MG RESISTOR	820Ω 1/10W J	1	
	R303	RK73EB2E3R0J	MG RESISTOR	3Ω 1/4W J	1	
	R304	RK73GB2A473J	MG RESISTOR	47kΩ 1/10W J	1	
	R320	RK73GB2A181J	MG RESISTOR	180Ω 1/10W J	1	
	R321	RK73HB1J223J	MG RESISTOR	22kΩ 1/16W J	1	
	R322	RK73HB1J472J	MG RESISTOR	4.7kΩ 1/16W J	1	
	R323	RK73GB2A331J	MG RESISTOR	330Ω 1/10W J	1	
	R330	RK73GB2A181J	MG RESISTOR	180Ω 1/10W J	1	

MODEL	MARK	MODEL	MARK
KDC-BT765HD	K0	KDC-X700	K1

Safe	Symbol No.	Parts No.	Parts Name	Description	QTY	Local
	R331	RK73HB1J223J	MG RESISTOR	22kΩ 1/16W J	1	
	R332	RK73HB1J472J	MG RESISTOR	4.7kΩ 1/16W J	1	
	R333	RK73GB2A331J	MG RESISTOR	330Ω 1/10W J	1	
	R340	RK73GB2A181J	MG RESISTOR	180Ω 1/10W J	1	
	R341	RK73HB1J223J	MG RESISTOR	22kΩ 1/16W J	1	
	R342	RK73HB1J472J	MG RESISTOR	4.7kΩ 1/16W J	1	
	R343	RK73GB2A331J	MG RESISTOR	330Ω 1/10W J	1	
	R350	RK73GB2A181J	MG RESISTOR	180Ω 1/10W J	1	
	R351	RK73HB1J223J	MG RESISTOR	22kΩ 1/16W J	1	
	R352	RK73HB1J472J	MG RESISTOR	4.7kΩ 1/16W J	1	
	R353	RK73GB2A331J	MG RESISTOR	330Ω 1/10W J	1	
	R370	RK73GB2A683J	MG RESISTOR	68kΩ 1/10W J	1	
	R371	RK73GB2A123J	MG RESISTOR	12kΩ 1/10W J	1	
	R372	RK73GB2A103J	MG RESISTOR	10kΩ 1/10W J	1	
	R390	RK73EB2E472J	MG RESISTOR	4.7kΩ 1/4W J	1	
	R400	RK73GB2A102J	MG RESISTOR	1kΩ 1/10W J	1	
	R402	RK73HB1J222J	MG RESISTOR	2.2kΩ 1/16W J	1	
	R410	RK73HB1J101J	MG RESISTOR	100Ω 1/16W J	1	
	R411	RK73HB1J101J	MG RESISTOR	100Ω 1/16W J	1	
	R412	RK73HB1J472J	MG RESISTOR	4.7kΩ 1/16W J	1	
	R413	RK73HB1J472J	MG RESISTOR	4.7kΩ 1/16W J	1	
	R414	RK73GB2A472J	MG RESISTOR	4.7kΩ 1/10W J	1	
	R437	RK73GB2A000J	MG RESISTOR	0Ω 1/10W J	1	
	R438	RK73GB2A000J	MG RESISTOR	0Ω 1/10W J	1	
	R439	RK73GB2A000J	MG RESISTOR	0Ω 1/10W J	1	
	R444	RK73EB2E000J	MG RESISTOR	0Ω 1/4W J	1	
	R467	RK73HB1J100J	MG RESISTOR	10Ω 1/16W J	1	
	R468	RK73HB1J4R7J	MG RESISTOR	4.7Ω 1/16W J	1	
	R469	RK73HB1J100J	MG RESISTOR	10Ω 1/16W J	1	
	R471	RK73HB1J101J	MG RESISTOR	100Ω 1/16W J	1	
	R472	RK73HB1J101J	MG RESISTOR	100Ω 1/16W J	1	
	R473	RK73GB2A472J	MG RESISTOR	4.7kΩ 1/10W J	1	
	R474	RK73FB2B221J	MG RESISTOR	220Ω 1/8W J	1	
	R475	RK73HB1J100J	MG RESISTOR	10Ω 1/16W J	1	
	R476	RK73GB2A223J	MG RESISTOR	22kΩ 1/10W J	1	
	R477	RK73GB2A104J	MG RESISTOR	100kΩ 1/10W J	1	
	R540	RK73GH2A123D	MG RESISTOR	12kΩ 1/10W D	1	
	R542	RK73GB2A222J	MG RESISTOR	2.2kΩ 1/10W J	1	
	R543	RK73GB2A000J	MG RESISTOR	0Ω 1/10W J	1	
	R607	RK73GB2A100J	MG RESISTOR	10Ω 1/10W J	1	
	R608	RK73GB2A000J	MG RESISTOR	0Ω 1/10W J	1	
	R650	RK73GB2A101J	MG RESISTOR	100Ω 1/10W J	1	
	R651	RK73GB2A101J	MG RESISTOR	100Ω 1/10W J	1	
	R652	RK73GB2A101J	MG RESISTOR	100Ω 1/10W J	1	
	R653	RK73GB2A101J	MG RESISTOR	100Ω 1/10W J	1	
	R654	RK73GB2A101J	MG RESISTOR	100Ω 1/10W J	1	
	R680	RK73GB2A101J	MG RESISTOR	100Ω 1/10W J	1	
	R682	RK73HB1J101J	MG RESISTOR	100Ω 1/16W J	1	
	R683	RK73GB2A000J	MG RESISTOR	0Ω 1/10W J	1	
	R684	RK73HB1J392J	MG RESISTOR	3.9kΩ 1/16W J	1	
	R685	RK73HB1J392J	MG RESISTOR	3.9kΩ 1/16W J	1	
	R688	RK73GB2A332J	MG RESISTOR	3.3kΩ 1/10W J	1	
	R702	RK73HB1J222J	MG RESISTOR	2.2kΩ 1/16W J	1	
	R703	RK73HB1J101J	MG RESISTOR	100Ω 1/16W J	1	
	R704	RK73HB1J222J	MG RESISTOR	2.2kΩ 1/16W J	1	
	R705	RK73HB1J101J	MG RESISTOR	100Ω 1/16W J	1	
	R709	RK73HB1J472J	MG RESISTOR	4.7kΩ 1/16W J	1	
	R710	RK73HB1J473J	MG RESISTOR	47kΩ 1/16W J	1	
	R711	RK73HB1J473J	MG RESISTOR	47kΩ 1/16W J	1	
	R712	RK73HB1J473J	MG RESISTOR	47kΩ 1/16W J	1	
	R713	RK73HB1J101J	MG RESISTOR	100Ω 1/16W J	1	
	R714	RK73HB1J473J	MG RESISTOR	47kΩ 1/16W J	1	
	R715	RK73GB2A101J	MG RESISTOR	100Ω 1/10W J	1	
	R718	RK73HB1J472J	MG RESISTOR	4.7kΩ 1/16W J	1	
	R721	RK73HB1J101J	MG RESISTOR	100Ω 1/16W J	1	
	R723	RK73GB2A101J	MG RESISTOR	100Ω 1/10W J	1	
	R725	RK73GB2A101J	MG RESISTOR	100Ω 1/10W J	1	
	R726	RK73HB1J103J	MG RESISTOR	10kΩ 1/16W J	1	
	R730	RK73HB1J222J	MG RESISTOR	2.2kΩ 1/16W J	1	
	R731	RK73GB2A101J	MG RESISTOR	100Ω 1/10W J	1	
	R733	RK73GB2A103J	MG RESISTOR	10kΩ 1/10W J	1	
	R734	RK73GB2A101J	MG RESISTOR	100Ω 1/10W J	1	
	R737	RK73GB2A101J	MG RESISTOR	100Ω 1/10W J	1	
	R739	RK73GB2A102J	MG RESISTOR	1kΩ 1/10W J	1	
	R740	RK73GB2A472J	MG RESISTOR	4.7kΩ 1/10W J	1	
	R743	RK73HB1J222J	MG RESISTOR	2.2kΩ 1/16W J	1	
	R744	RK73GB2A101J	MG RESISTOR	100Ω 1/10W J	1	
	R746	RK73HB1J000J	MG RESISTOR	0Ω 1/16W J	1	
	R748	RK73GB2A101J	MG RESISTOR	100Ω 1/10W J	1	
	R750	RK73GB2A101J	MG RESISTOR	100Ω 1/10W J	1	
	R752	RK73GB2A101J	MG RESISTOR	100Ω 1/10W J	1	
	R755	RK73HB1J103J	MG RESISTOR	10kΩ 1/16W J	1	
	R756	RK73GB2A101J	MG RESISTOR	100Ω 1/10W J	1	
	R769	RK73HB1J473J	MG RESISTOR	47kΩ 1/16W J	1	
	R770	RK73GB2A333J	MG RESISTOR	33kΩ 1/10W J	1	K1
	R771	RK73HB1J473J	MG RESISTOR	47kΩ 1/16W J	1	K0
	R771	RK73HB1J153J	MG RESISTOR	15kΩ 1/16W J	1	K1
	R772	RK73HB1J101J	MG RESISTOR	100Ω 1/16W J	1	
	R777	RK73HB1J101J	MG RESISTOR	100Ω 1/16W J	1	
	R778	RK73HB1J101J	MG RESISTOR	100Ω 1/16W J	1	
	R781	RK73HB1J000J	MG RESISTOR	0Ω 1/16W J	1	
	R782	RK73HB1J000J	MG RESISTOR	0Ω 1/16W J	1	
	R783	RK73HB1J000J	MG RESISTOR	0Ω 1/16W J	1	

MODEL	MARK	MODEL	MARK
KDC-BT765HD	K0	KDC-X700	K1

Safe	Symbol No.	Parts No.	Parts Name	Description	QTY	Local
	R785	RK73HB1J000J	MG RESISTOR	0Ω 1/16W J	1	
	R788	RK73GH2A823D	MG RESISTOR	82kΩ 1/10W D	1	
	R789	RK73GH2A393D	MG RESISTOR	39kΩ 1/10W D	1	
	R790	RK73GB2A000J	MG RESISTOR	0Ω 1/10W J	1	
	R792	RK73GB2A000J	MG RESISTOR	0Ω 1/10W J	1	
	R794	RK73GB2A101J	MG RESISTOR	100Ω 1/10W J	1	
	R795	RK73HB1J101J	MG RESISTOR	100Ω 1/16W J	1	
	R796	RK73GH2A302D	MG RESISTOR	3kΩ 1/10W D	1	
	R797	RK73HB1J222J	MG RESISTOR	2.2kΩ 1/16W J	1	
	R798	RK73HB1J222J	MG RESISTOR	2.2kΩ 1/16W J	1	
	R799	RK73HB1J105J	MG RESISTOR	1MΩ 1/16W J	1	
	R800	RK73HB1J000J	MG RESISTOR	0Ω 1/16W J	1	
	R801	RK73HB1J222J	MG RESISTOR	2.2kΩ 1/16W J	1	
	R803	RK73HB1J225J	MG RESISTOR	2.2MΩ 1/16W J	1	
	R805	RK73GB2A102J	MG RESISTOR	1kΩ 1/10W J	1	
	R806	RK73HB1J102J	MG RESISTOR	1kΩ 1/16W J	1	
	R808	RK73HB1J222J	MG RESISTOR	2.2kΩ 1/16W J	1	
	R809	RK73HB1J102J	MG RESISTOR	1kΩ 1/16W J	1	
	R820	RK73HB1J473J	MG RESISTOR	47kΩ 1/16W J	1	
	R823	RK73GB2A470J	MG RESISTOR	47Ω 1/10W J	1	
	R824	RK73HB1J473J	MG RESISTOR	47kΩ 1/16W J	1	
	R827	RK73HB1J103J	MG RESISTOR	10kΩ 1/16W J	1	
	R828	RK73GB2A103J	MG RESISTOR	10kΩ 1/10W J	1	
	R829	RK73HB1J000J	MG RESISTOR	0Ω 1/16W J	1	
	R830	RK73GB2A101J	MG RESISTOR	100Ω 1/10W J	1	
	R840	RK73GB2A101J	MG RESISTOR	100Ω 1/10W J	1	
	R841	RK73GB2A101J	MG RESISTOR	100Ω 1/10W J	1	
	R842	RK73GB2A101J	MG RESISTOR	100Ω 1/10W J	1	
	R850	RK73HH1J123D	MG RESISTOR	12kΩ 1/16W D	1	
	R851	RK73HH1J243D	MG RESISTOR	24kΩ 1/16W D	1	
	R868	RK73GB2A512J	MG RESISTOR	5.1kΩ 1/10W J	1	
	R869	RK73GB2A102J	MG RESISTOR	1kΩ 1/10W J	1	
	R871	RK73HB1J393J	MG RESISTOR	39kΩ 1/16W J	1	
	R872	RK73HB1J200J	MG RESISTOR	20Ω 1/16W J	1	
	R873	RK73HH1J183D	MG RESISTOR	18kΩ 1/16W D	1	
	R875	RK73HH1J393D	MG RESISTOR	39kΩ 1/16W D	1	
	R876	RK73HH1J683D	MG RESISTOR	68kΩ 1/16W D	1	
	R878	RK73GB2A103J	MG RESISTOR	10kΩ 1/10W J	1	
	R880	RK73HB1J222J	MG RESISTOR	2.2kΩ 1/16W J	1	
	R889	RK73HB1J332J	MG RESISTOR	3.3kΩ 1/16W J	1	
	R905	RK73GB2A101J	MG RESISTOR	100Ω 1/10W J	1	
	R940	RK73EB2E1R0J	MG RESISTOR	1Ω 1/4W J	1	
	R960	RK73GB2A103J	MG RESISTOR	10kΩ 1/10W J	1	
	R961	RK73GB2A151J	MG RESISTOR	150Ω 1/10W J	1	
	R962	RK73GB2A223J	MG RESISTOR	22kΩ 1/10W J	1	
	R963	RK73GB2A471J	MG RESISTOR	470Ω 1/10W J	1	
	R964	RK73GB2A332J	MG RESISTOR	3.3kΩ 1/10W J	1	
	R966	RK73GB2A152J	MG RESISTOR	1.5kΩ 1/10W J	1	
	R967	RK73GB2A822J	MG RESISTOR	8.2kΩ 1/10W J	1	
	R980	RK73EB2E682J	MG RESISTOR	6.8kΩ 1/4W J	1	
	R981	RK73EB2E682J	MG RESISTOR	6.8kΩ 1/4W J	1	
	R982	RK73EB2E473J	MG RESISTOR	47kΩ 1/4W J	1	
	R984	RK73EB2E473J	MG RESISTOR	47kΩ 1/4W J	1	
	R1001	RK73GB2A000J	MG RESISTOR	0Ω 1/10W J	1	
	R1003	RK73GB2A000J	MG RESISTOR	0Ω 1/10W J	1	
	R1034	RK73GB2A102J	MG RESISTOR	1kΩ 1/10W J	1	
	R1052	RK73HB1J100J	MG RESISTOR	10Ω 1/16W J	1	
	R1070	RK73GB2A103J	MG RESISTOR	10kΩ 1/10W J	1	
	R1086	RK73GB2A102J	MG RESISTOR	1kΩ 1/10W J	1	
	R1087	RK73GB2A102J	MG RESISTOR	1kΩ 1/10W J	1	
	R1300	RK73GB2A562J	MG RESISTOR	5.6kΩ 1/10W J	1	
	R1739	RK73HB1J101J	MG RESISTOR	100Ω 1/16W J	1	
	R2003	RK73HB1J220J	MG RESISTOR	22Ω 1/16W J	1	
	R2004	RK73HB1J220J	MG RESISTOR	22Ω 1/16W J	1	
	R2005	RK73EB2E2R2J	MG RESISTOR	2.2Ω 1/4W J	1	
	R2006	RK73GB2A000J	MG RESISTOR	0Ω 1/10W J	1	
	R2007	RK73HB1J222J	MG RESISTOR	2.2kΩ 1/16W J	1	
	R2008	RK73HB1J101J	MG RESISTOR	100Ω 1/16W J	1	
	R2009	RK73HB1J101J	MG RESISTOR	100Ω 1/16W J	1	
	R2014	RK73HB1J103J	MG RESISTOR	10kΩ 1/16W J	1	
	R2016	RK73HB1J220J	MG RESISTOR	22Ω 1/16W J	1	
	R2017	RK73HB1J220J	MG RESISTOR	22Ω 1/16W J	1	
	R2028	RK73GB2A000J	MG RESISTOR	0Ω 1/10W J	1	
	R2029	RK73GB2A332J	MG RESISTOR	3.3kΩ 1/10W J	1	
	R2030	RK73GB2A000J	MG RESISTOR	0Ω 1/10W J	1	
	R2031	RK73GB2A000J	MG RESISTOR	0Ω 1/10W J	1	
	R2032	RK73GB2A000J	MG RESISTOR	0Ω 1/10W J	1	
	R2033	RK73HB1J103J	MG RESISTOR	10kΩ 1/16W J	1	
	R2034	RK73HB1J222J	MG RESISTOR	2.2kΩ 1/16W J	1	
	R2038	RK73EB2E000J	MG RESISTOR	0Ω 1/4W J	1	
	R2040	RK73GH2A100D	MG RESISTOR	10Ω 1/10W D	1	
	R2041	RK73HB1J103J	MG RESISTOR	10kΩ 1/16W J	1	
	R2042	RK73HB1J303J	MG RESISTOR	30kΩ 1/16W J	1	
	R2043	RK73HB1J432J	MG RESISTOR	4.3kΩ 1/16W J	1	
	R2044	RK73HB1J432J	MG RESISTOR	4.3kΩ 1/16W J	1	
	R2045	RK73HB1J103J	MG RESISTOR	10kΩ 1/16W J	1	
	R2046	RK73HB1J103J	MG RESISTOR	10kΩ 1/16W J	1	
	R2047	RK73HB1J432J	MG RESISTOR	4.3kΩ 1/16W J	1	
	R2052	RK73GB2A000J	MG RESISTOR	0Ω 1/10W J	1	
	R2053	RK73GB2A000J	MG RESISTOR	0Ω 1/10W J	1	
	R2054	RK73GB2A000J	MG RESISTOR	0Ω 1/10W J	1	
	R2055	RK73GB2A000J	MG RESISTOR	0Ω 1/10W J	1	

MODEL	MARK	MODEL	MARK
KDC-BT765HD	K0	KDC-X700	K1

Safe	Symbol No.	Parts No.	Parts Name	Description	QTY	Local
	R2057	RK73HB1J432J	MG RESISTOR	4.3kΩ 1/16W J	1	
	R2058	RK73HB1J103J	MG RESISTOR	10kΩ 1/16W J	1	
	R2059	RK73HB1J103J	MG RESISTOR	10kΩ 1/16W J	1	
	R2060	RK73HB1J432J	MG RESISTOR	4.3kΩ 1/16W J	1	
	R2062	RK73HB1J432J	MG RESISTOR	4.3kΩ 1/16W J	1	
	R2063	RK73HB1J103J	MG RESISTOR	10kΩ 1/16W J	1	
	R2065	RK73GB2A000J	MG RESISTOR	0Ω 1/10W J	1	
	R2066	RK73GB2A000J	MG RESISTOR	0Ω 1/10W J	1	
	R2067	RK73GB2A000J	MG RESISTOR	0Ω 1/10W J	1	
	R2068	RK73GB2A000J	MG RESISTOR	0Ω 1/10W J	1	
	R2069	RK73GB2A000J	MG RESISTOR	0Ω 1/10W J	1	
	R2070	RK73GB2A000J	MG RESISTOR	0Ω 1/10W J	1	
	R2072	RK73HB1J000J	MG RESISTOR	0Ω 1/16W J	1	
	R2074	RK73HB1J000J	MG RESISTOR	0Ω 1/16W J	1	
	R2075	RK73HB1J472J	MG RESISTOR	4.7kΩ 1/16W J	1	
	R2076	RK73HB1J472J	MG RESISTOR	4.7kΩ 1/16W J	1	
	R2077	RK73HB1J472J	MG RESISTOR	4.7kΩ 1/16W J	1	
	R2083	RK73GB2A000J	MG RESISTOR	0Ω 1/10W J	1	
	R2084	RK73GB2A000J	MG RESISTOR	0Ω 1/10W J	1	
	R2091	RK73GB2A103J	MG RESISTOR	10kΩ 1/10W J	1	
	R2092	RK73HB1J103J	MG RESISTOR	10kΩ 1/16W J	1	
	R2093	RK73HB1J000J	MG RESISTOR	0Ω 1/16W J	1	
	R2267	RK73HB1J103J	MG RESISTOR	10kΩ 1/16W J	1	
	R2269	RK73HB1J471J	MG RESISTOR	470Ω 1/16W J	1	
	L411	LR73Z0AD4R7M	CHIP INDUCTOR	4.7uH	1	
	L608	LB73G0BA-005	CHIP FERRITE		1	
	L609	LB73G0AM-004	CHIP FERRITE		1	
	L610	LR73Z0AD4R7M	CHIP INDUCTOR	4.7uH	1	
	L701	LR73Z0AD4R7M	CHIP INDUCTOR	4.7uH	1	
	L702	NQR0713-001X	FERRITE BEADS		1	
	L703	LB73H0AY-004	CHIP FERRITE		1	
	L704	NQR0713-001X	FERRITE BEADS		1	
	L705	NQR0713-001X	FERRITE BEADS		1	
	L706	LB73H0CT-002	CHIP FERRITE		1	
	L707	LB73H0CT-002	CHIP FERRITE		1	
	L811	LB73H0AY-004	CHIP FERRITE		1	
	L821	LB73G0BK-006	CHIP FERRITE		1	
	L822	LB73H0CT-002	CHIP FERRITE		1	
	L824	LB73H0CT-002	CHIP FERRITE		1	
	L825	LB73H0CT-002	CHIP FERRITE		1	
	L826	LB73H0CT-002	CHIP FERRITE		1	
	L827	LB73H0CT-002	CHIP FERRITE		1	
	L828	LB73H0CT-002	CHIP FERRITE		1	
	L829	LB73H0CT-002	CHIP FERRITE		1	
	L830	LB73G0BK-006	CHIP FERRITE		1	
	L831	NQR0713-001X	FERRITE BEADS		1	
	L863	NQLL6EM-100X	INDUCTOR	10uH M	1	
	L864	NQLH65M-4R7X	INDUCTOR	4.7uH M	1	
	L960	LR73Z0AD4R7M	CHIP INDUCTOR	4.7uH	1	
	L961	LR73Z0AD4R7M	CHIP INDUCTOR	4.7uH	1	
	L990	QQR1909-001	CHOKE COIL		1	
	L1005	NQR0713-001X	FERRITE BEADS		1	
	L1006	NQR0713-001X	FERRITE BEADS		1	
	L1007	NQR0713-001X	FERRITE BEADS		1	
	L2000	LB73H0CT-002	CHIP FERRITE		1	
	L2001	LB73H0CT-002	CHIP FERRITE		1	
	L2002	NQR0593-001X	FERRITE BEADS		1	
	L2005	LR73Z0AD100M	CHIP INDUCTOR	10uH	1	
	L2007	NQR0713-001X	FERRITE BEADS		1	
	L2008	NQR0713-001X	FERRITE BEADS		1	
	L2009	NQR0713-001X	FERRITE BEADS		1	
	L2010	NQR0713-001X	FERRITE BEADS		1	
	A1	XJH-0010-10	TRANSPORT UNIT		1	
	CN220	QGA2001F1-02	W TO B CONNE	W-B (1-2)	1	
	CN502	QGF1040F1-26	FFC/FPC CONNE	FFC/FPC (1-26)	1	
	CN701	QGZ2006J1-20	DETACHABLE CONN	(1-20)	1	
	CN990	QNZ0607-001	CAR CONNECTOR		1	
	E2	QZV0010-001	STYLE PIN		1	
△	F1	F53-0513-08	PATTERN FUSE	4A	1	
△	F3	FZA10BH-2R5	FUSE (CC)		1	
△	F1000	F53-0513-08	PATTERN FUSE	4A	1	
	J321	QNN0866-001	PIN JACK		1	
	J470	QNZ0907-001	CIR CONNECTOR		1	
	J601	QNB0356-001	ANT TERMINAL		1	
	S830	QSW0648-001Z	TACT SWITCH		1	
	VA601	F0K-0010-00	SURGE ABSORBER		1	
	VA602	F0K-0010-00	SURGE ABSORBER		1	
	X701	L7J-0092-00	QUARTZ CRYSTAL		1	
	X702	NAX1256-001X	CRYSTAL		1	
	SWITCH PWB ASSY (XK6-0110-10) <XK6>					
	IC1	BU97550KV-M	MOS IC		1	
	IC3	NJM431SF	ANALOG IC		1	
	IC90	PIC95603	IR DETECT UNIT		1	
	Q51	LSCR523EBFS8	TRANSISTOR		1	
	Q52	LSCR523EBFS8	TRANSISTOR		1	
	Q53	LSCR523EBFS8	TRANSISTOR		1	
	Q54	LSCR523EBFS8	TRANSISTOR		1	
	Q55	LSCR523EBFS8	TRANSISTOR		1	
	Q56	LSCR523EBFS8	TRANSISTOR		1	
	D2	MBRX130	SCHOTTKY DIODE		1	
	D3	MBRX130	SCHOTTKY DIODE		1	
	D20	SML-D12V8WT	LED		1	

MODEL	MARK	MODEL	MARK
KDC-BT765HD	K0	KDC-X700	K1

Safe	Symbol No.	Parts No.	Parts Name	Description	QTY	Local	
	D21	SML-D12V8WT	LED		1		
	D22	Q2MTYTD7ZAA02	LED		1		
	D23	Q2MTYTD7ZAA02	LED		1		
	D24	Q2MTYTD7ZAA02	LED		1		
	D25	Q2MTYTD7ZAA02	LED		1		
	D26	Q2MTYTD7ZAA02	LED		1		
	D49	Q2MTYTD7ZAA02	LED		1		
	D80	DZ2J051M	ZENER DIODE		1		
	D81	DZ2J051M	ZENER DIODE		1		
	C1	CK73GXR1C105K	C CAPACITOR	1uF 16V K	1		
	C5	CK73GXR1C105K	C CAPACITOR	1uF 16V K	1		
	C6	CK73EXR1C106K	C CAPACITOR	10uF 16V K	1		
	C7	CK73GBB1H472K	C CAPACITOR	4700pF 50V K	1		
	C60	CK73GBB1H102K	C CAPACITOR	1000pF 50V K	1		
	C61	CK73GBB1H102K	C CAPACITOR	1000pF 50V K	1		
	C80	CC73GCH1H270J	C CAPACITOR	27pF 50V J	1		
	C81	CC73GCH1H270J	C CAPACITOR	27pF 50V J	1		
	C82	CK73EXR1C106K	C CAPACITOR	10uF 16V K	1		
	C83	CK73GBB1H471K	C CAPACITOR	470pF 50V K	1		
	C84	CK73GBB1H472K	C CAPACITOR	4700pF 50V K	1		
	C85	CK73GBB1H471K	C CAPACITOR	470pF 50V K	1		
	C86	CK73GBB1H472K	C CAPACITOR	4700pF 50V K	1		
	C91	CK73GXR1A105K	C CAPACITOR	1uF 10V K	1		
	R1	RK73GB2A000J	MG RESISTOR	0Ω 1/10W J	1		
	R3	RK73GB2A471J	MG RESISTOR	470Ω 1/10W J	1		
	R4	RK73GB2A101J	MG RESISTOR	100Ω 1/10W J	1		
	R6	RK73EB2E910J	MG RESISTOR	91Ω 1/4W J	1		
	R7	RK73EB2E000J	MG RESISTOR	0Ω 1/4W J	1		
	R10	RK73GH2A103D	MG RESISTOR	10kΩ 1/10W D	1		
	R11	RK73GH2A912D	MG RESISTOR	9.1kΩ 1/10W D	1		
	R12	RK73GB2A243J	MG RESISTOR	24kΩ 1/10W J	1		
	R20	RK73EB2E152J	MG RESISTOR	1.5kΩ 1/4W J	1		
	R21	RK73FB2B152J	MG RESISTOR	1.5kΩ 1/8W J	1		
	R23	RK73FB2B471J	MG RESISTOR	470Ω 1/8W J	1		
	R25	RK73FB2B561J	MG RESISTOR	560Ω 1/8W J	1		
	R27	RK73FB2B751J	MG RESISTOR	750Ω 1/8W J	1		
	R29	RK73FB2B471J	MG RESISTOR	470Ω 1/8W J	1		
	R31	RK73FB2B561J	MG RESISTOR	560Ω 1/8W J	1		
	R33	RK73FB2B751J	MG RESISTOR	750Ω 1/8W J	1		
	R35	RK73FB2B911J	MG RESISTOR	910Ω 1/8W J	1		
	R37	RK73FB2B112J	MG RESISTOR	1.1kΩ 1/8W J	1		
	R39	RK73FB2B112J	MG RESISTOR	1.1kΩ 1/8W J	1		
	R44	RK73FB2B331J	MG RESISTOR	330Ω 1/8W J	1		
	R46	RK73FB2B391J	MG RESISTOR	390Ω 1/8W J	1		
	R48	RK73FB2B561J	MG RESISTOR	560Ω 1/8W J	1		
	R60	RK73FB2B101J	MG RESISTOR	100Ω 1/8W J	1		
	R61	RK73FB2B101J	MG RESISTOR	100Ω 1/8W J	1		
	R62	RK73FB2B4R7J	MG RESISTOR	4.7Ω 1/8W J	1		
	R80	RK73EB2E221J	MG RESISTOR	220Ω 1/4W J	1		
	R1006	RK73GB2A000J	MG RESISTOR	0Ω 1/10W J	1		
	R1008	RK73GB2A333J	MG RESISTOR	33kΩ 1/10W J	1		
	RA1	RK74GB1J101J	NET RESISTOR	100Ω 1/16W J	1		
	RA2	RK74GB1J101J	NET RESISTOR	100Ω 1/16W J	1		
	RA3	RK74GB1J101J	NET RESISTOR	100Ω 1/16W J	1		
	RA50	RK74GB1J682J	NET RESISTOR	6.8kΩ 1/16W J	1		
	RA51	RK74GB1J682J	NET RESISTOR	6.8kΩ 1/16W J	1		
	L2	LR73Z0AD4R7M	CHIP INDUCTOR	4.7uH	1		
	CN1	QG22006K1-20X	DETACHABLE CONN	(1-20)	1		
	FL80	L7K-0030-00	FILTER		1		
	J60	QNS0323-001	3.5 JACK		1		
	J80	E5J-0069-00	USB TERMINAL		1		
	S20	QSW1288-001	ROTARY ENCODER		1		
	S601	NSW0246-001X	TACT SWITCH		1		
	S602	NSW0246-001X	TACT SWITCH		1		
	S603	NSW0246-001X	TACT SWITCH		1		
	S604	NSW0246-001X	TACT SWITCH		1		
	S605	NSW0246-001X	TACT SWITCH		1		
	S606	NSW0246-001X	TACT SWITCH		1		
	S607	NSW0246-001X	TACT SWITCH		1		
	S608	NSW0246-001X	TACT SWITCH		1		
	S609	NSW0246-001X	TACT SWITCH		1		
	S610	NSW0246-001X	TACT SWITCH		1		
	S611	NSW0246-001X	TACT SWITCH		1		
	S612	NSW0246-001X	TACT SWITCH		1		
	S613	NSW0246-001X	TACT SWITCH		1		
	S614	NSW0246-001X	TACT SWITCH		1		
	S615	NSW0246-001X	TACT SWITCH		1		
	HD TUNER PWB ASSY (XJM-0120-10) <XJM>						
	IC1	SI4763-A42-GM	MOS IC		1		
	IC2	SI4613-A10-GM	MOS IC		1		
	IC3	W25Q16DVSSIG	ROM IC		1		
	IC4	XC6213B182N-G	MOS IC		1		
	C2	CC73HCH1H101J	C CAPACITOR	100pF 50V J	1		
	C3	CK73HBB1H222K	C CAPACITOR	2200pF 50V K	1		
	C4	CK73HBB1H222K	C CAPACITOR	2200pF 50V K	1		
	C5	CK73HBB1H222K	C CAPACITOR	2200pF 50V K	1		
	C6	CK73FXR1C106K	C CAPACITOR	10uF 16V K	1		
	C7	CK73GBB1H222K	C CAPACITOR	2200pF 50V K	1		
	C8	CK73GBB1H102K	C CAPACITOR	1000pF 50V K	1		
	C9	CC73GCH1H390J	C CAPACITOR	39pF 50V J	1		
	C10	CC73GCH1H270J	C CAPACITOR	27pF 50V J	1		
	△ C15	CC73GCH1H010C	C CAPACITOR	1pF 50V C	1		

MODEL	MARK	MODEL	MARK
KDC-BT765HD	K0	KDC-X700	K1

Safe	Symbol No.	Parts No.	Parts Name	Description	QTY	Local
	C16	CK73GCH1H050C	C CAPACITOR	5pF 50V C	1	
	C18	CK73GBB1C104K	C CAPACITOR	0.1uF 16V K	1	
	C19	CK73GBB1H103K	C CAPACITOR	0.01uF 50V K	1	
	C20	CK73FXR1C106K	C CAPACITOR	10uF 16V K	1	
	C21	CK73GBB1C104K	C CAPACITOR	0.1uF 16V K	1	
	C22	CK73GBB1H102K	C CAPACITOR	1000pF 50V K	1	
	C25	CK73GBB1H682K	C CAPACITOR	6800pF 50V K	1	
	C26	CK73GBB1H682K	C CAPACITOR	6800pF 50V K	1	
	C27	CK73GXR1C105K	C CAPACITOR	1uF 16V K	1	
	C28	CK73GXR1C105K	C CAPACITOR	1uF 16V K	1	
	C29	CC73HCH1H060D	C CAPACITOR	6pF 50V D	1	
	C30	CC73HCH1H060D	C CAPACITOR	6pF 50V D	1	
	C32	CK73GXR1C105K	C CAPACITOR	1uF 16V K	1	
	C33	CK73GXR1C105K	C CAPACITOR	1uF 16V K	1	
	C40	CC73GCH1H020C	C CAPACITOR	2pF 50V C	1	
	C101	CC73GCH1H220J	C CAPACITOR	22pF 50V J	1	
	C102	CC73GCH1H220J	C CAPACITOR	22pF 50V J	1	
	C103	CC73GCH1H220J	C CAPACITOR	22pF 50V J	1	
	C120	CC73GCH1H020C	C CAPACITOR	2pF 50V C	1	
	C121	CK73HBB1C104K	C CAPACITOR	0.1uF 16V K	1	
	C122	CK73GBB1H102K	C CAPACITOR	1000pF 50V K	1	
	C123	CC73HCH1H180J	C CAPACITOR	18pF 50V J	1	
	C124	CC73HCH1H180J	C CAPACITOR	18pF 50V J	1	
	C125	CC73HCH1H180J	C CAPACITOR	18pF 50V J	1	
	C127	CK73GBB1C104K	C CAPACITOR	0.1uF 16V K	1	
	C128	CC73GCH1H020C	C CAPACITOR	2pF 50V C	1	
	C129	CK73HBB1H222K	C CAPACITOR	2200pF 50V K	1	
	C131	CC73HCH1H180J	C CAPACITOR	18pF 50V J	1	
	C143	CK73HBB1H222K	C CAPACITOR	2200pF 50V K	1	
	C144	CK73HBB1H222K	C CAPACITOR	2200pF 50V K	1	
	C146	CK73HBB1H222K	C CAPACITOR	2200pF 50V K	1	
	R1	RK73GB2A000J	MG RESISTOR	0Ω 1/10W J	1	
	R3	RK73GB2A240J	MG RESISTOR	24Ω 1/10W J	1	
	R4	RK73GB2A474J	MG RESISTOR	470kΩ 1/10W J	1	
	R5	RK73GB2A474J	MG RESISTOR	470kΩ 1/10W J	1	
	R10	RK73HB1J222J	MG RESISTOR	2.2kΩ 1/16W J	1	
	R11	RK73HB1J222J	MG RESISTOR	2.2kΩ 1/16W J	1	
	R12	RK73HB1J103J	MG RESISTOR	10kΩ 1/16W J	1	
	R14	RK73GB2A471J	MG RESISTOR	470Ω 1/10W J	1	
	R16	RK73HB1J470J	MG RESISTOR	47Ω 1/16W J	1	
	R17	RK73HB1J470J	MG RESISTOR	47Ω 1/16W J	1	
	R18	RK73HB1J470J	MG RESISTOR	47Ω 1/16W J	1	
	R20	RK73GB2A000J	MG RESISTOR	0Ω 1/10W J	1	
	R26	RK73HB1J000J	MG RESISTOR	0Ω 1/16W J	1	
	R29	RK73GB2A000J	MG RESISTOR	0Ω 1/10W J	1	
	R30	RK73GB2A000J	MG RESISTOR	0Ω 1/10W J	1	
	R31	RK73GB2A000J	MG RESISTOR	0Ω 1/10W J	1	
	R39	RK73GB2A102J	MG RESISTOR	1kΩ 1/10W J	1	
	R40	RK73GB2A000J	MG RESISTOR	0Ω 1/10W J	1	
	R41	RK73GB2A000J	MG RESISTOR	0Ω 1/10W J	1	
	R42	RK73GB2A000J	MG RESISTOR	0Ω 1/10W J	1	
	R43	RK73GB2A000J	MG RESISTOR	0Ω 1/10W J	1	
	R44	RK73GB2A000J	MG RESISTOR	0Ω 1/10W J	1	
	R51	RK73HB1J000J	MG RESISTOR	0Ω 1/16W J	1	
	R52	RK73HB1J000J	MG RESISTOR	0Ω 1/16W J	1	
	R53	RK73HB1J000J	MG RESISTOR	0Ω 1/16W J	1	
	R54	RK73HB1J000J	MG RESISTOR	0Ω 1/16W J	1	
	R103	RK73GB2A000J	MG RESISTOR	0Ω 1/10W J	1	
	R104	RK73GB2A000J	MG RESISTOR	0Ω 1/10W J	1	
	R105	RK73GB2A000J	MG RESISTOR	0Ω 1/10W J	1	
	R107	RK73HB1J000J	MG RESISTOR	0Ω 1/16W J	1	
	R108	RK73HB1J000J	MG RESISTOR	0Ω 1/16W J	1	
	R109	RK73GB2A000J	MG RESISTOR	0Ω 1/10W J	1	
	R110	RK73GB2A000J	MG RESISTOR	0Ω 1/10W J	1	
	R111	RK73GB2A000J	MG RESISTOR	0Ω 1/10W J	1	
	R112	RK73GB2A000J	MG RESISTOR	0Ω 1/10W J	1	
	R114	RK73HB1J470J	MG RESISTOR	47Ω 1/16W J	1	
	R115	RK73GB2A223J	MG RESISTOR	22kΩ 1/10W J	1	
	R116	RK73GB2A223J	MG RESISTOR	22kΩ 1/10W J	1	
	R121	RK73GB2A470J	MG RESISTOR	47Ω 1/10W J	1	
	R122	RK73GB2A470J	MG RESISTOR	47Ω 1/10W J	1	
	R123	RK73GB2A470J	MG RESISTOR	47Ω 1/10W J	1	
	R124	RK73GB2A470J	MG RESISTOR	47Ω 1/10W J	1	
	R127	RK73GB2A470J	MG RESISTOR	47Ω 1/10W J	1	
	R129	RK73HB1J470J	MG RESISTOR	47Ω 1/16W J	1	
	R140	RK73GB2A000J	MG RESISTOR	0Ω 1/10W J	1	
	R141	RK73HB1J103J	MG RESISTOR	10kΩ 1/16W J	1	
	R142	RK73HB1J103J	MG RESISTOR	10kΩ 1/16W J	1	
	R143	RK73HB1J103J	MG RESISTOR	10kΩ 1/16W J	1	
	R144	RK73HB1J103J	MG RESISTOR	10kΩ 1/16W J	1	
	R145	RK73GB2A102J	MG RESISTOR	1kΩ 1/10W J	1	
	R155	RK73GB2A470J	MG RESISTOR	47Ω 1/10W J	1	
	R166	RK73GB2A470J	MG RESISTOR	47Ω 1/10W J	1	
	L1	LK73G0BER15K	M.CHIP INDUCTOR		1	
	L2	LK73G0BE82NK	M.CHIP INDUCTOR		1	
	L3	LK73G0BER12K	M.CHIP INDUCTOR		1	
	L4	LK73G0BER82K	M.CHIP INDUCTOR		1	
	L5	LK73G0BE1R8K	M.CHIP INDUCTOR		1	
	L8	LK73G0BER39K	M.CHIP INDUCTOR		1	
	L10	L1K-0001-00	BALUN TRANS		1	
	L14	LK73G0BE100K	M.CHIP INDUCTOR		1	
	L21	NQR0592-004X	FERRITE BEADS		1	

MODEL	MARK	MODEL	MARK
KDC-BT765HD	K0	KDC-X700	K1

Safe	Symbol No.	Parts No.	Parts Name	Description	QTY	Local
	L22	NQR0592-004X	FERRITE BEADS		1	
	L101	NQR0713-001X	FERRITE BEADS		1	
	CN1	EA110AD-2017B	W TO B CONNE		1	
	CN2	EA110AD-2003B	W TO B CONNE		1	
	X1	L7J-0021-00	QUARTZ CRYSTAL		1	
CD MECHA PWB ASSY (X32-6690-00) <X32>						
	IC1	MN6627553APA	IC		1	
	IC2	BD8266EFV-M-X	IC		1	
	Q1	2SA2188-T1(E)	TRANSISTOR		1	
	C1	CK73HBB1A104K	C CAPACITOR	0.1uF 10V K	1	
	C3	CK73HBB1A104K	C CAPACITOR	0.1uF 10V K	1	
	C4	CK73HBB1A104K	C CAPACITOR	0.1uF 10V K	1	
	C7	CK73GBB1C334K	C CAPACITOR	0.33uF 16V K	1	
	C8	CK73HBB1H102K	C CAPACITOR	1000pF 50V K	1	
	C9	CK73HBB1C823K	C CAPACITOR	0.082uF 16V K	1	
	C10	CK73HBB1H102K	C CAPACITOR	1000pF 50V K	1	
	C11	CK73HBB1A104K	C CAPACITOR	0.1uF 10V K	1	
	C12	CK73HBB1E153K	C CAPACITOR	0.015uF 25V K	1	
	C13	CC73HCH1H681J	C CAPACITOR	680pF 50V J	1	
	C14	CK73HBB1A104K	C CAPACITOR	0.1uF 10V K	1	
	C15	CK73GXR0J475K	C CAPACITOR	4.7uF 6.3V K	1	
	C16	CK73HXR0J105K	C CAPACITOR	1uF 6.3V K	1	
	C17	CK73GBB1C334K	C CAPACITOR	0.33uF 16V K	1	
	C18	CK73HBB1H332K	C CAPACITOR	3300pF 50V K	1	
	C19	CK73HBB1E223K	C CAPACITOR	0.022uF 25V K	1	
	C20	CK73FBB0J106K	C CAPACITOR	10uF 6.3V K	1	
	C21	CK73GBB1C334K	C CAPACITOR	0.33uF 16V K	1	
	C26	CK73FB1C106K	C CAPACITOR	10uF 16V K	1	
	C27	CK73HBB1A104K	C CAPACITOR	0.1uF 10V K	1	
	C28	CK73HBB1A104K	C CAPACITOR	0.1uF 10V K	1	
	C50	CK73HBB1H682K	C CAPACITOR	6800pF 50V K	1	
	C51	CK73HBB1H682K	C CAPACITOR	6800pF 50V K	1	
	C52	CK73HBB1H103K	C CAPACITOR	0.01uF 50V K	1	
	C53	CK73HBB1H103K	C CAPACITOR	0.01uF 50V K	1	
	C55	CK73HBB1A104K	C CAPACITOR	0.1uF 10V K	1	
	C60	CC73HCH1H821J	C CAPACITOR	820pF 50V J	1	
	C61	CC73HCH1H821J	C CAPACITOR	820pF 50V J	1	
	C62	CK73GB0J106M	C CAPACITOR	10uF 6.3V M	1	
	C82	CC73HCH1H471J	C CAPACITOR	470pF 50V J	1	
	C83	CC73HCH1H120J	C CAPACITOR	12pF 50V J	1	
	C84	CC73HCH1H120J	C CAPACITOR	12pF 50V J	1	
	C85	CK73HBB1A104K	C CAPACITOR	0.1uF 10V K	1	
	C244	CK73GB1E154K	C CAPACITOR	0.15uF 25V K	1	
	R3	RK73HB1J102J	MG RESISTOR	1kΩ 1/16W J	1	
	R4	RK73HB1J105J	MG RESISTOR	1MΩ 1/16W J	1	
	R7	RK73HB1J272J	MG RESISTOR	2.7kΩ 1/16W J	1	
	R8	RK73HB1J821J	MG RESISTOR	820Ω 1/16W J	1	
	R9	RK73HB1J823J	MG RESISTOR	82kΩ 1/16W J	1	
	R10	RK73FB2B4R7J	MG RESISTOR	4.7Ω 1/8W J	1	
	R11	RK73HB1J472J	MG RESISTOR	4.7kΩ 1/16W J	1	
	R12	RK73HB1J225J	MG RESISTOR	2.2MΩ 1/16W J	1	
	R17	RK73HB1J123J	MG RESISTOR	12kΩ 1/16W J	1	
	R18	RK73HB1J822J	MG RESISTOR	8.2kΩ 1/16W J	1	
	R20	RK73HB1J103J	MG RESISTOR	10kΩ 1/16W J	1	
	R21	RK73HB1J822J	MG RESISTOR	8.2kΩ 1/16W J	1	
	R23	RK73HB1J183J	MG RESISTOR	18kΩ 1/16W J	1	
	R24	RK73HB1J272J	MG RESISTOR	2.7kΩ 1/16W J	1	
	R26	RK73HB1J223J	MG RESISTOR	22kΩ 1/16W J	1	
	R28	RK73HB1J114J	MG RESISTOR	110kΩ 1/16W J	1	
	R31	RK73HB1J821J	MG RESISTOR	820Ω 1/16W J	1	
	R32	RK73HB1J821J	MG RESISTOR	820Ω 1/16W J	1	
	R33	RK73HB1J131J	MG RESISTOR	130Ω 1/16W J	1	
	R37	RK73HB1J103J	MG RESISTOR	10kΩ 1/16W J	1	
	R44	RK73HB1J101J	MG RESISTOR	100Ω 1/16W J	1	
	R47	RK73HB1J101J	MG RESISTOR	100Ω 1/16W J	1	
	R305	RK73HB1J101J	MG RESISTOR	100Ω 1/16W J	1	
	RA1	RK74HB1J562J	NET RESISTOR	5.6kΩ 1/16W J	1	
	RA2	RK74HB1J101J	NET RESISTOR	100Ω 1/16W J	1	
	L1	LB73G0BF-003	CHIP FERRITE		1	
	L2	LB73H0AY-004	CHIP FERRITE		1	
	L3	LB73H0AY-004	CHIP FERRITE		1	
	CN1	E41-3430-05	F.C.CONNECTOR		1	
	CN2	E41-3488-05	F.C.CONNECTOR		1	
	S1	S6J-0001-00	PUSH SWITCH		1	
	S2	S6J-0001-00	PUSH SWITCH		1	
	S3	S6J-0002-00	PUSH SWITCH		1	
	X1	NAX1158-001X	CRYSTAL		1	