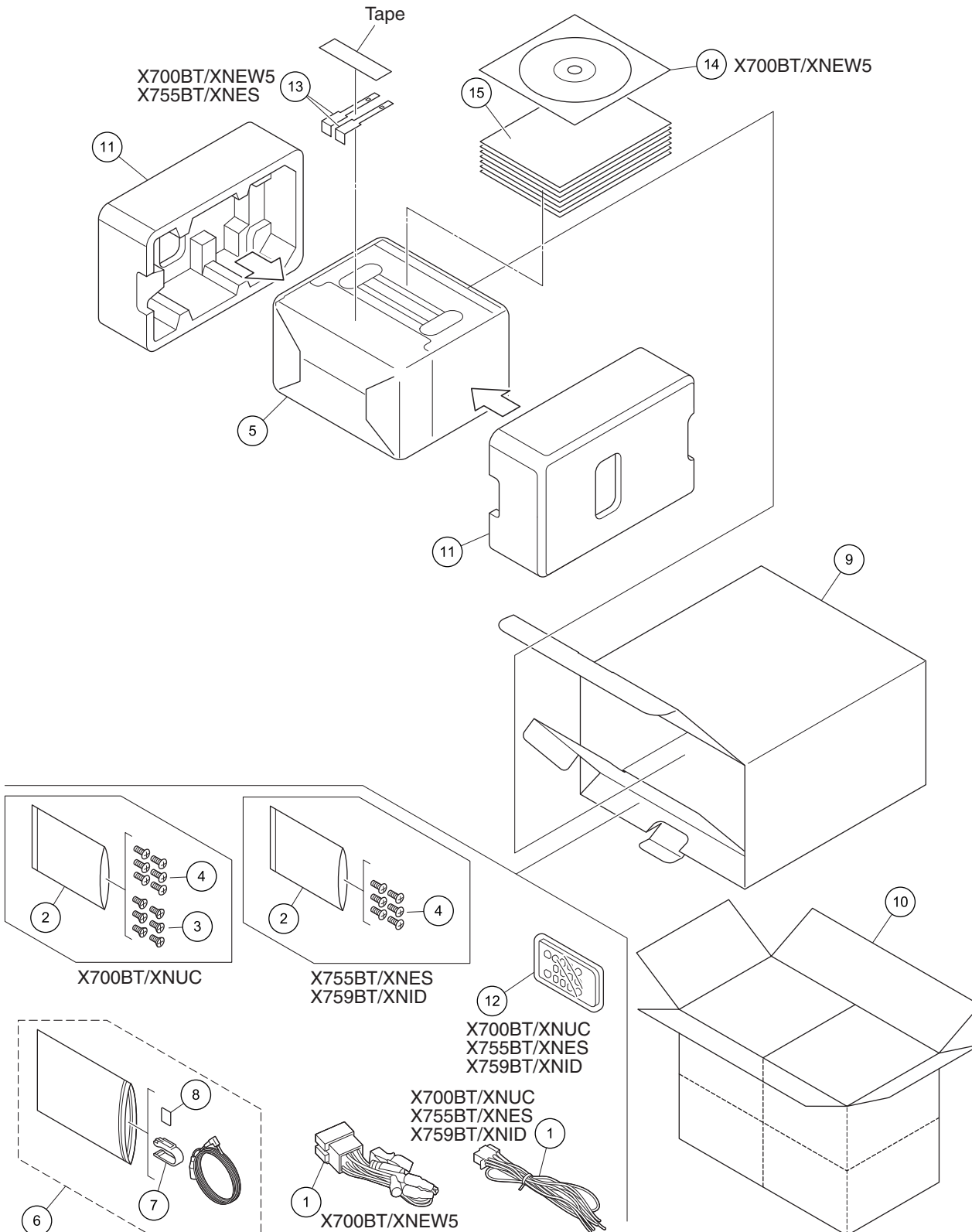


9. EXPLODED VIEWS AND PARTS LIST

- NOTES :**
- Parts marked by " * " are generally unavailable because they are not in our Master Spare Parts List.
 - The \triangle mark found on some component parts indicates the importance of the safety factor of the part. Therefore, when replacing, be sure to use parts of identical designation.
 - Screw adjacent to ∇ mark on the product are used for disassembly.
 - For the applying amount of lubricants or glue, follow the instructions in this manual. (In the case of no amount instructions, apply as you think it appropriate.)

9.1 PACKING



FH-X700BT/XNUC

(1) PACKING SECTION PARTS LIST

<u>Mark No.</u>	<u>Description</u>	<u>Part No.</u>	<u>Mark No.</u>	<u>Description</u>	<u>Part No.</u>
1	Cord Assy	See Contrast table (2)	12	Card Remote Control Unit	See Contrast table (2)
2	Polyethylene Bag	See Contrast table (2)	13	Handle	See Contrast table (2)
3	Screw	See Contrast table (2)	14	IM CD-ROM	See Contrast table (2)
4	Screw	See Contrast table (2)	15-1	Owner's Manual	See Contrast table (2)
5	Cover	See Contrast table (2)			
			*	15-2 Warranty Card	See Contrast table (2)
6	Microphone Assy	CPM1083	*	15-3 Caution Card	See Contrast table (2)
7	Holder	CZN7192	*	15-4 Caution Card	See Contrast table (2)
8	Cushion	CZN7193		15-5 Quick Start Guide	See Contrast table (2)
9	Unit Box	See Contrast table (2)		15-6 Installation Manual	See Contrast table (2)
10	Contain Box	See Contrast table (2)			
			*	15-7 Caution Card	See Contrast table (2)
11	Protector	See Contrast table (2)	*	15-8 Service Network	See Contrast table (2)

(2) CONTRAST TABLE

FH-X700BT/XNUC, FH-X700BT/XNEW5, FH-X755BT/XNES and FH-X759BT/XNID are constructed the same except for the following:

Mark	No.	Description	FH-X700BT/XNUC	FH-X700BT/XNEW5	FH-X755BT/XNES	FH-X759BT/XNID
	1	Cord Assy	CDP1480	QDP3014	CDP1480	CDP1480
	2	Polyethylene Bag	CEG1160	Not used	CEG1160	CEG1160
	3	Screw	CRZ50P090FTC	Not used	Not used	Not used
	4	Screw	TRZ50P080FTC	Not used	TRZ50P080FTC	TRZ50P080FTC
	5	Cover	CEG1359	CEG1356	CEG1356	CEG1356
	9	Unit Box	QHG3416	QHG3415	QHG3417	QHG3418
	10	Contain Box	QHL3416	QHL3415	QHL3417	QHL3418
	11	Protector	QHP3033	QHP3032	QHP3032	QHP3033
	12	Card Remote Control Unit	QXE1044	Not used	QXE1044	QXE1044
	13	Handle	Not used	CND6289	CND6289	Not used
	14	IM CD-ROM	Not used	QPJ3017	Not used	Not used
	15-1	Owner's Manual	QRD3136	Not used	QRD3137	QRB3256
*	15-2	Warranty Card	QRY3001	CRY1376	Not used	CRY1304
*	15-3	Caution Card	Not used	CRP1438	Not used	Not used
*	15-4	Caution Card	Not used	CRP1441	Not used	Not used
	15-5	Quick Start Guide	Not used	QRD3146	Not used	Not used
	15-6	Installation Manual	Not used	QRD3147	Not used	Not used
*	15-7	Caution Card	Not used	QRP3015	Not used	Not used
*	15-8	Service Network	Not used	Not used	Not used	CRY1305

Owner's Manual, Installation Manual

Part No.	Language
QRD3136	English, French, Spanish(Espanol)
QRD3146	English, French, Italian, Spanish(Espanol), German, Dutch, Russian
QRD3147	English, French, Italian, Spanish(Espanol), German, Dutch, Russian
QRD3137	English, Spanish(Espanol), Portuguese(B), Traditional Chinese, Arabic, Persian
QRB3256	English

9.2 EXTERIOR(1)

1

2

3

4

A

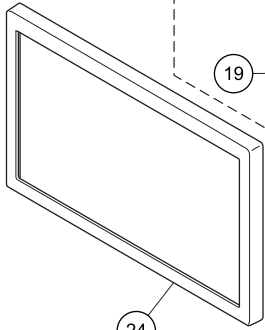
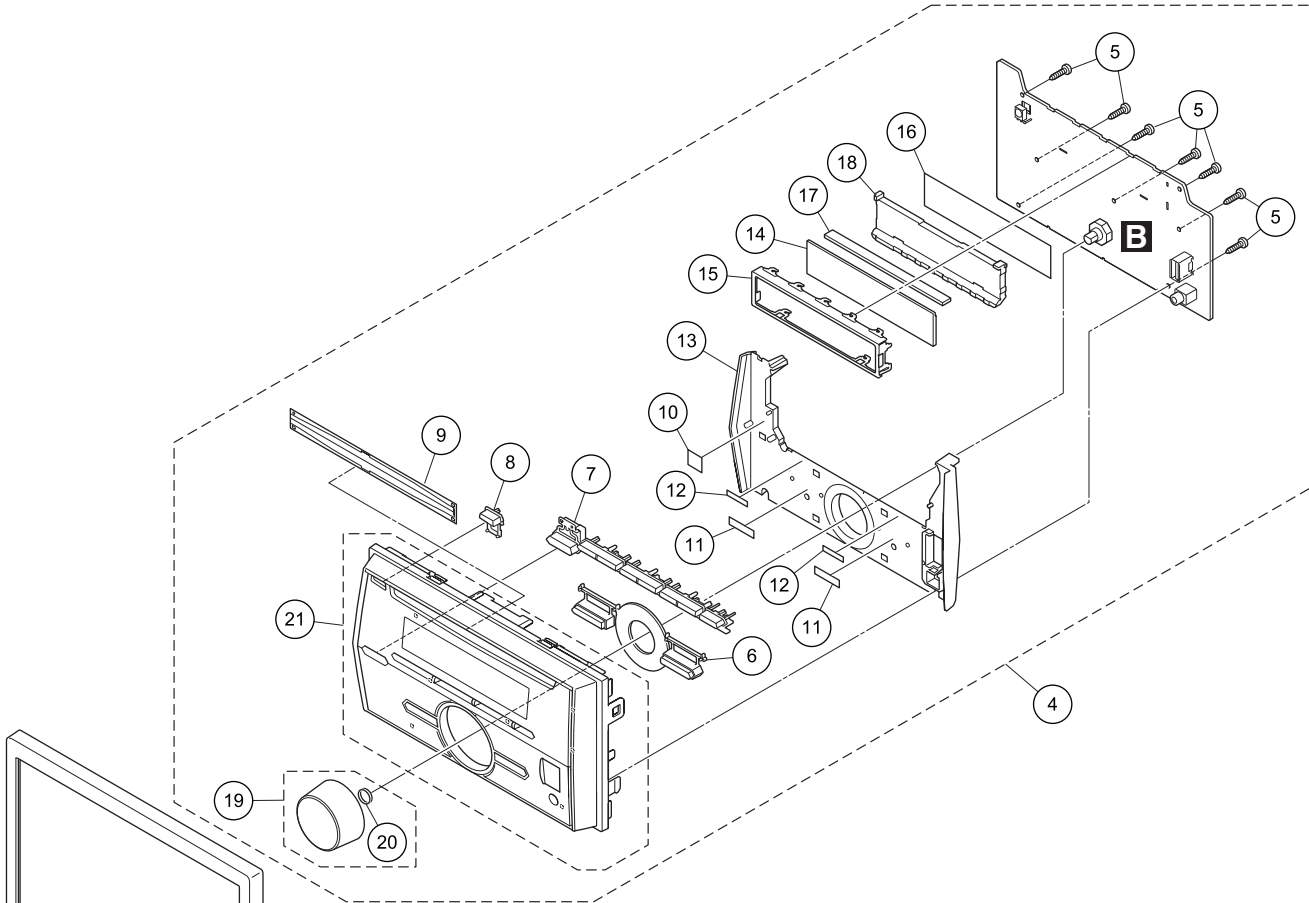
B

C

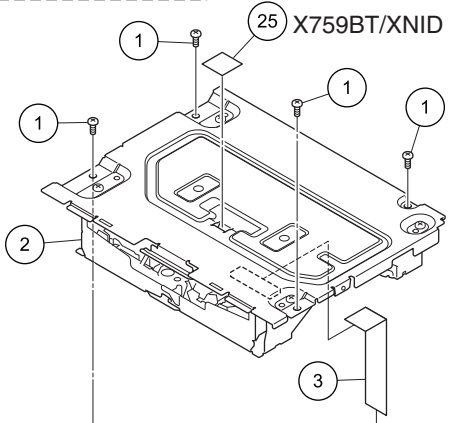
D

E

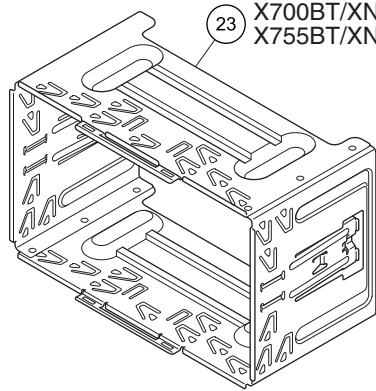
F



X700BT/XNEW5
X755BT/XNES



25 X759BT/XNID



23 X700BT/XNEW5
X755BT/XNES

1

2

3

4

(1) EXTERIOR(1) SECTION PARTS LIST

<u>Mark No.</u>	<u>Description</u>	<u>Part No.</u>	<u>Mark No.</u>	<u>Description</u>	<u>Part No.</u>
1	Screw	BSZ26P060FTC	14	Segment LCD (V1802)	CAW2025
2	CD Mechanism Module (S11.6STD-FH) CXK5806		15	Holder	QNC3047
3	FFC	QDE3029			
4	Grille Assy	See Contrast table (2)	16	Sheet	QNM3068
5	Screw	BPZ20P080FTC	17	Rubber Connector	QNV3053
			18	Lighting Conductor	QNV3054
6	Button (<, >)	QAC3089	19	Knob Unit	QXA3723
7	Button (PHONE, 1-6, DISP)	QAC3090	20	Spring	YBL5010
8	Button (EJECT)	QAC3093			
9	Cover	QNM3029	21	Grille Unit	See Contrast table (2)
10	Sheet	QNM3066	22	
			23	Holder	See Contrast table (2)
11	Sheet	QNM3067	24	Panel	See Contrast table (2)
12	Sheet	QNM3071	25	Label	See Contrast table (2)
13	Lighting Conductor	QNV3061			

(2) CONTRAST TABLE

FH-X700BT/XNUC, FH-X700BT/XNEW5, FH-X755BT/XNES and FH-X759BT/XNID are constructed the same except for the following:

Mark	No.	Description	FH-X700BT/XNUC	FH-X700BT/XNEW5	FH-X755BT/XNES	FH-X759BT/XNID
	4	Grille Assy	QXA3817	QXA3816	QXA3818	QXA3819
	21	Grille Unit	QXA3809	QXA3721	QXA3810	QXA3811
	23	Holder	Not used	CND6288	CND6288	Not used
	24	Panel	Not used	CNS9952	CNS9952	Not used
	25	Label	Not used	Not used	Not used	CNN3533

9.3 EXTERIOR(2)

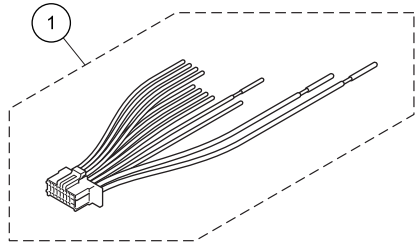
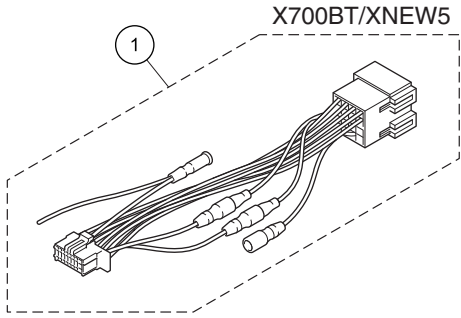
1

2

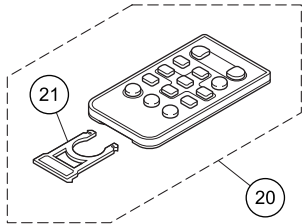
3

4

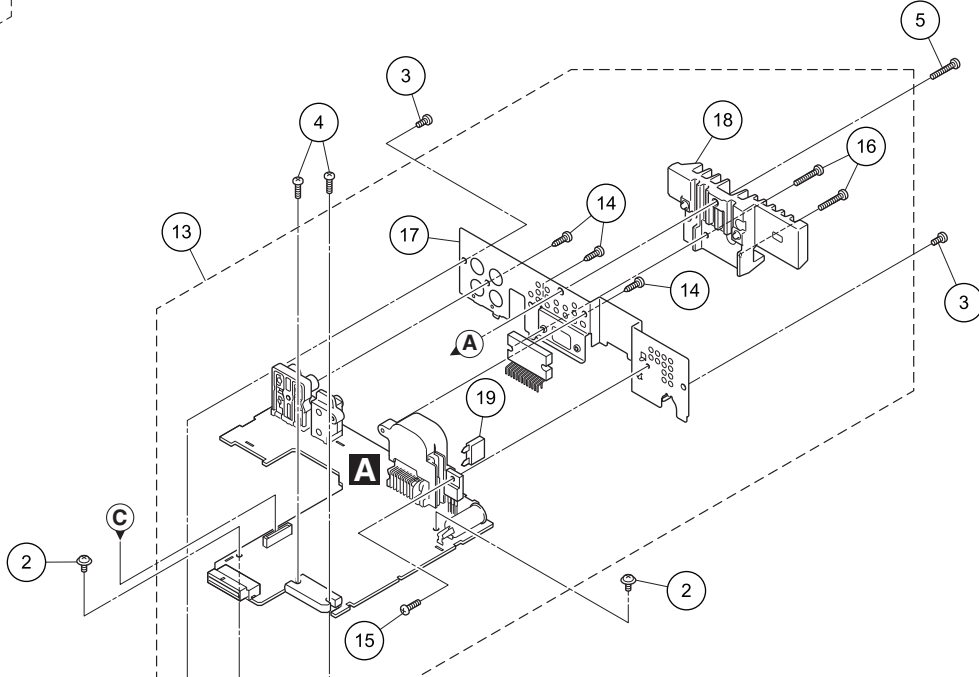
A



B



C



D

E

F

1

2

3

4

(1) EXTERIOR(2) SECTION PARTS LIST

<u>Mark No.</u>	<u>Description</u>	<u>Part No.</u>	<u>Mark No.</u>	<u>Description</u>	<u>Part No.</u>
1	Cord Assy	See Contrast table (2)	12	BT Module	CWX4317
2	Screw	ASZ26P050FTC	13	Tuner Amp Unit	See Contrast table (2)
3	Screw	BSZ26P060FTC	14	Screw	BPZ26P080FTC
4	Screw	BSZ26P080FTC	15	Screw	BSZ26P060FTC
5	Screw	BSZ26P120FTC	16	Screw	BSZ26P120FTC
6	FFC	QDE3028	17	Holder	QNC3053
7	Case	QNB3006	18	Heat Sink	See Contrast table (2)
8	Holder	QNC3057	⚠ 19	Fuse (10 A)	YEK5001
9	Bracket	QNC3058	20	Card Remote Control Unit	See Contrast table (2)
10	Bracket	QNC3059	21	Cover	See Contrast table (2)
11	BT Unit	QWM3533			

(2) CONTRAST TABLE

FH-X700BT/XNUC, FH-X700BT/XNEW5, FH-X755BT/XNES and FH-X759BT/XNID are constructed the same except for the following:

Mark	No.	Description	FH-X700BT/XNUC	FH-X700BT/XNEW5	FH-X755BT/XNES	FH-X759BT/XNID
	1	Cord Assy	CDP1480	QDP3014	CDP1480	CDP1480
	13	Tuner Amp Unit	QWM3544	QWM3543	QWM3545	QWM3546
	18	Heat Sink	QNR3010	QNR3010	QNR3002	QNR3002
	20	Card Remote Control Unit	QXE1044	Not used	QXE1044	QXE1044
	21	Cover	CNS7068	Not used	CNS7068	CNS7068

9.4 CD MECHANISM MODULE

A

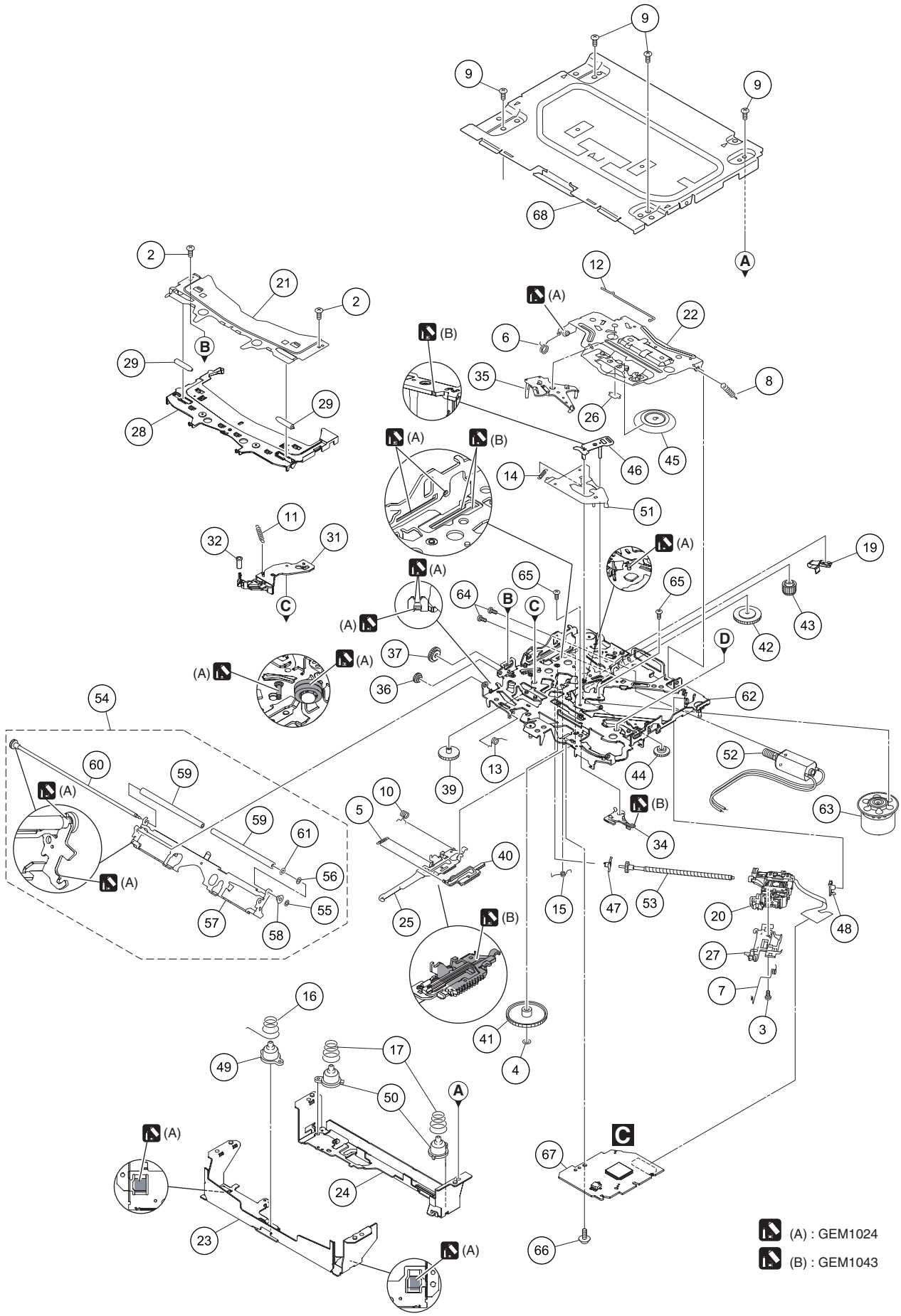
B

C

D

E

F



(A) : GEM1024
 (B) : GEM1043

5 6 7 8
CD MECHANISM MODULE SECTION PARTS LIST

<u>Mark No.</u>	<u>Description</u>	<u>Part No.</u>	<u>Mark No.</u>	<u>Description</u>	<u>Part No.</u>
1		50	Damper	CNW1198
2	Screw	BSZ20P040FTC	51	Arm	CNW1726
3	Screw(M2 x 4)	CBA1835	52	Motor Unit(M2)(LOAD/CRG)	CXC4026
4	Washer	CBF1038	53	Screw Unit	CXC8894
5	Spring	CBH3010	54	Arm Assy	CXE6232
6	Spring	CBH2855	55	Washer	CBF1037
7	Spring	CBH2856	56	Washer	CBF1038
8	Spring	CBH2860	57	Arm	CND6242
9	Screw	BSZ26P060FTC	58	Collar	CNW2444
10	Spring	CBH3011	59	Roller	CNW2500
11	Coil Spring	CBH3095	60	Gear Unit	CXC8893
12	Spring	CBH3014	61	Washer	YE15FTC
13	Spring	CBH3015	62	Chassis Unit	CXE4528
14	Spring	CBH3016	63	Motor Unit(M1)(SPDL)	CXE2273
15	Spring	CBH3017	64	Screw	JFZ20P025FTC
16	Spring	CBH3086	65	Screw	JGZ17P022FTC
17	Spring	CBH3019	66	Screw	EBA1028
18		67	CD Core Unit (S11.6STD)	CWX4023
19	Leaf Spring	CBL1824	68	Case	CNB3762
20	Pickup Unit(P10.6)(Service)	CXX3556			
21	Bracket	CND4553			
22	Arm	CND6406			
23	Bracket	CND6127			
24	Bracket	CND5710			
25	Lever	CND5398			
26	Sheet	CNN3678			
27	Rack	CNV8342			
28	Guide	CNW2240			
29	Roller	CNW1172			
30				
31	Arm	CNW2241			
32	Roller	CNW1175			
33				
34	Arm	CNW1177			
35	Arm	CNW1178			
36	Gear	CNW1180			
37	Gear	CNW1181			
38				
39	Gear	CNW1183			
40	Rack	CNW1184			
41	Gear	CNW1185			
42	Gear	CNW1186			
43	Gear	CNW1187			
44	Gear	CNW2287			
45	Clamper	CNW1190			
46	Arm	CNW1192			
47	Holder	CNW1193			
48	Holder	CNW1194			
49	Damper	CNW1197			

12. ELECTRICAL PARTS LIST

NOTE:

- Parts whose parts numbers are omitted are subject to being not supplied.
- The part numbers shown below indicate chip components.

Chip Resistor

RS1/○S○○○○J,RS1/○○S○○○○J

Chip Capacitor (except for CQS.....)

CKS....., CCS....., CSZS.....

- The \triangle mark found on some component parts indicates the importance of the safety factor of the part. Therefore, when replacing, be sure to use parts of identical designation.
- Meaning of the figures and others in the parentheses in the parts list.

Example) IC 301 is on the point (face A, 91 of x-axis, and 111 of y-axis) of the corresponding PC board.

IC 301 (A, 91, 111) IC NJM2068V

- The expression of the unit in this manual is shown by μ instead of μ . Please do not make a mistake.

<u>Circuit Symbol and No.</u>	<u>Part No.</u>	<u>Circuit Symbol and No.</u>	<u>Part No.</u>
A:FH-X700BT/XNUC		IC 601 (A,110,77) IC	R5S726A0D216FP
B:FH-X700BT/XNEW5		IC 671 (A,131,75) IC	S-80827CNMC-B8M
C:FH-X755BT/XNES		IC 681 (A,114,94) Flash ROM Unit(A)	PEB040A8
D:FH-X759BT/XNID		(A,114,94) Flash ROM Unit(B,C,D)	PEB039A8
Unit Number : QWM3544(A)		IC 801 (A,104,18) L-MOS And Gate	TC7SET08FUS1
Unit Number : QWM3543(B)		IC 911 (A,145,28) Regulator IC	BA49183-V12
Unit Number : QWM3545(C)		IC 961 (A,131,110) IC	TPD1052F
Unit Number : QWM3546(D)		Q 251 (A,13,130) Chip Transistor	RN1910
Unit Name : Tuner Amp Unit		Q 252 (A,23,131) Chip Transistor	RN1910
Unit Number :		Q 301 (A,87,125) Chip Transistor	RN4983
Unit Name : Keyboard Unit		Q 302 (A,127,104) Transistor	LTC014YEB
Unit Number : QWM3533		Q 531 (A,93,97) Transistor	LSAR523UB
Unit Name : BT Unit		Q 601 (A,93,68) Transistor	LTC014YEB
Unit Number : CWX4023		Q 751 (A,142,139) Transistor	2SD2396
Unit Name : CD Core Unit (S11.6STD)		Q 752 (A,142,133) Chip Transistor	RN4983
A		Q 871 (A,144,59) Transistor	2SA1577
Unit Number : QWM3544(A)		Q 872 (A,144,67) Transistor	LTC143EUB
Unit Number : QWM3543(B)		Q 941 (A,96,121) Transistor	LSCR523UB
Unit Number : QWM3545(C)		D 301 (A,102,125) Diode	CRG03
Unit Number : QWM3546(D)		D 302 (A,90,121) Diode	CRG03
Unit Name : Tuner Amp Unit		D 401 (A,158,107) Diode	RN731VN
MISCELLANEOUS		D 402 (A,158,100) Diode	RN731VN
IC 201 (A,101,107) LSI	PM9013A	D 551 (A,22,124) Diode	CMS03
IC 301 (A,78,142) IC	PA2030A	D 552 (A,22,104) Diode	RB056L-40
IC 401 (A,150,91) IC	TDA7706	D 751 (A,138,135) Diode	RKZ8.2KG(B2)
IC 531 (A,93,88) IC	337S3959	D 803 (A,126,15) Diode	DZ2S068C
IC 551 (A,19,111) Regulator IC	BD9876EFJ	D 804 (A,119,14) Diode	DZ2S068C
IC 552 (A,106,24) IC	BD2232G-G	D 805 (A,120,14) Diode	DZ2S068C
		D 806 (A,116,13) Diode	DZ2S068C
		D 807 (A,113,13) Diode	DZ2S068C
		D 901 (A,141,127) Diode	1SR154-400
		D 902 (A,137,127) Diode	1SR154-400
		D 911 (A,158,66) Diode	CRG03
		D 912 (A,161,66) Diode	CRG03
		D 941 (A,93,125) Diode(A,C,D)	HZU7L(A1)
		(A,93,125) Diode(B)	HZU7L(C3)
		L 202 (A,94,102) Inductor	CTF1793
		L 401 (A,155,104) Chip Coil	LCTAWR27J2520
		L 402 (A,159,104) Chip Coil	LCTAWR15J2520
		L 403 (A,151,102) Inductor	CTF1786
		L 404 (A,146,102) Inductor	CTF1786

	1	2	3	4
	<u>Circuit Symbol and No.</u>	<u>Part No.</u>	<u>Circuit Symbol and No.</u>	<u>Part No.</u>
			(A,138,91) (C,D)	RS1/16SS391J
L	405 (A,151,108) Inductor(A)	LCYB68NJ1608	R 412 (A,152,78)	RS1/4SA8R2J
L	406 (A,147,105) Inductor(A,B)	CTF1389	R 413 (A,158,78)	RS1/4SA8R2J
A	L 407 (A,147,107) Chip Coil(C,D)	LCTAWR27J2520	R 414 (A,139,87)	RS1/16SS0R0J
L	408 (A,141,104) Chip Coil(A,B)	LCTAW4R7J2520	R 415 (A,152,80) (A,C,D)	RS1/16SS0R0J
	(A,141,104) Chip Coil(C,D)	LCTAW1R5J2520		
L	409 (A,143,109) Chip Coil(C,D)	LCTAWR39J2520	R 531 (A,91,94)	RS1/16SS473J
L	410 (A,137,94) Chip Coil(A,B)	LCTAW470J2520	R 532 (A,91,85)	RS1/16SS222J
	(A,137,94) Inductor(C,D)	LCTAW2R2J2520	R 533 (A,92,85)	RS1/16SS222J
L	413 (A,144,82) Inductor	CTF1786	R 534 (A,93,92)	RS1/16SS272J
L	414 (A,153,80) Inductor(B)	CTF1786	R 535 (A,95,92)	RS1/16SS472J
L	419 (A,161,95) Inductor	CTF1786	R 536 (A,96,92)	RS1/16SS472J
L	420 (A,161,96) Inductor	CTF1786	R 537 (A,96,85)	RS1/16SS101J
L	551 (A,30,107) Inductor	CTH1524	R 538 (A,95,84)	RS1/16SS101J
B	L 801 (A,115,17) Inductor	CTF1713	R 551 (A,25,111)	RS1/16SS682J
L	901 (A,112,141) Choke Coil 600 uH	CTH1432	R 552 (A,30,112)	RS1/16SS0R0J
X	401 (A,161,88) Crystal Resonator 36.48 MHz	CSS1848	R 553 (A,27,112)	RS1/16SS1803D
X	601 (A,126,76) Crystal Resonator 12 MHz	CSS1847	R 554 (A,27,110)	RS1/16SS4302D
X	603 (A,123,92) Resonator 16.93 MHz	CSS1794	R 555 (A,39,124)	RS1/10SR471J
△P	251 (A,6,130) Fuse 3.0 A	CEK1386	R 601 (A,101,66)	RS1/16SS473J
P	402 (A,155,111) Surge Absorber	HSPC16701B02	R 602 (A,107,63)	RS1/16SS473J
CN	701 (A,114,32) Connector	VKN1192	R 603 (A,109,62)	RS1/16SS473J
CN	801 (A,109,4) Connector	CKS6452	R 609 (A,122,64)	RS1/16SS473J
CN	971 (A,93,49) Connector	VKN1192	R 610 (A,122,70)	RS1/16SS473J
JA	251 (A,19,138) Pin Jack	CKB1099	R 611 (A,124,72)	RS1/16SS473J
C	JA401 (A,158,129) Antenna Jack	YKS5041	R 613 (A,121,76)	RS1/16SS152J
JA	892 (A,42,141) Jack	YKS5035	R 614 (A,122,78)	RS1/16SS473J
JA	901 (A,113,141) Connector	CKM1613	R 615 (A,130,79)	RS1/16SS473J
	Fuse 10 A	YEK5001	R 616 (A,125,68)	RS1/16SS473J
			R 617 (A,131,81)	RS1/16SS103J
			R 618 (A,125,82) (A)	RS1/16SS103J
			(A,125,82) (B,D)	RS1/16SS473J
			(A,125,82) (C)	RS1/16SS223J

RESISTORS

R	251 (A,18,131)	RS1/16SS821J		
R	252 (A,9,132)	RS1/16SS821J	R 619 (A,126,82) (A,C,D)	RS1/16SS473J
R	253 (A,15,131)	RS1/16SS223J	(A,126,82) (B)	RS1/16SS223J
R	254 (A,11,131)	RS1/16SS223J	R 622 (A,125,87)	RS1/16SS473J
D	R 255 (A,29,132)	RS1/16SS821J	R 623 (A,130,85)	RAB4CQ473J
R	256 (A,19,131)	RS1/16SS821J	R 624 (A,120,89)	RS1/16SS222J
R	257 (A,28,131)	RS1/16SS223J	R 625 (A,114,90)	RS1/16SS101J
R	258 (A,21,131)	RS1/16SS223J	R 626 (A,113,90)	RS1/16SS101J
R	301 (A,68,127)	RS1/16SS471J	R 627 (A,112,88)	RS1/16SS101J
R	302 (A,82,125)	RS1/16SS471J	R 628 (A,111,90)	RS1/16SS101J
R	303 (A,73,127)	RS1/16SS471J	R 629 (A,109,92)	RS1/16SS101J
R	304 (A,78,126)	RS1/16SS471J	R 630 (A,110,89)	RS1/16SS101J
R	305 (A,88,127)	RS1/16SS103J	R 631 (A,107,92)	RS1/16SS473J
R	306 (A,89,129)	RS1/16SS102J	R 632 (A,105,91)	RS1/16SS473J
R	309 (A,86,121)	RS1/16SS103J	R 633 (A,107,90)	RS1/16SS101J
E	R 311 (A,86,123)	RS1/16SS473J	R 634 (A,103,88)	RS1/16SS102J
R	312 (A,99,129)	RS1/16SS103J	R 635 (A,102,88)	RS1/16SS102J
R	401 (A,161,106)	RS1/16SS221J	R 636 (A,100,91)	RS1/16SS473J
R	402 (A,161,100)	RS1/16SS751J	R 637 (A,100,90)	RS1/16SS473J
R	403 (A,139,104) (A,B)	RS1/16SS391J	R 638 (A,104,92)	RS1/16SS473J
	(A,139,104) (C,D)	RS1/16SS331J	R 639 (A,97,91)	RS1/16SS472J
R	404 (A,142,99)	RS1/16SS105J	R 640 (A,98,91)	RS1/16SS472J
R	406 (A,154,108)	RS1/16SS105J	R 643 (A,99,82)	RS1/16SS104J
R	407 (A,139,96)	RS1/16SS330J	R 644 (A,98,79)	RS1/16SS101J
R	408 (A,137,97) (A,B)	RS1/16SS471J	R 645 (A,95,79)	RS1/16SS101J
	(A,137,97) (C,D)	RS1/16SS361J	R 646 (A,92,75)	RS1/16SS103J
F	R 409 (A,144,98) (C,D)	RS1/16SS0R0J	R 647 (A,98,78)	RS1/16SS101J
R	410 (A,141,91)	RS1/16SS0R0J	R 648 (A,95,76)	RS1/16SS102J
R	411 (A,138,91) (A,B)	RS1/16SS681J	R 649 (A,95,75)	RS1/16SS102J
			R 650 (A,95,74)	RS1/16SS102J

5		6		7		8	
<u>Circuit Symbol and No.</u>		<u>Part No.</u>		<u>Circuit Symbol and No.</u>		<u>Part No.</u>	
R 651	(A,97,71)	RS1/16SS473J		R 943	(A,95,125) (A,C,D)	RS1/16SS472J	
R 652	(A,98,69)	RS1/16SS222J			(A,95,125) (B)	RS1/16SS473J	
				R 944	(A,98,123)	RS1/4SA102J	
R 653	(A,100,66)	RS1/16SS103J		R 961	(A,127,112)	RS1/16SS103J	A
R 659	(A,123,61)	RS1/16SS153J		R 962	(A,130,113)	RS1/16SS103J	
R 660	(A,123,60)	RS1/16SS153J		R 963	(A,129,112)	RS1/16SS105J	
R 664	(A,133,62)	RS1/16SS103J		R 973	(A,90,63)	RS1/16SS0R0J	
R 668	(A,93,71)	RS1/16SS473J		R 974	(A,98,55)	RS1/16SS101J	
R 669	(A,95,69)	RS1/16SS473J					
R 671	(A,128,70)	RS1/16SS104J		R 975	(A,98,54)	RS1/16SS101J	
R 681	(A,109,97)	RS1/16SS473J		R 976	(A,98,52)	RS1/16SS101J	
R 682	(A,110,91)	RS1/16SS473J					
R 683	(A,120,92)	RS1/16SS473J					
				<u>CAPACITORS</u>			
R 684	(A,109,94)	RS1/16SS473J		C 201	(A,96,115)	CKSRYB105K10	
R 685	(A,120,96)	RS1/16SS473J		C 202	(A,104,116)	CKSRYB105K10	B
R 701	(A,108,38)	RS1/16SS473J		C 203	(A,92,116)	CKSRYB105K10	
R 702	(A,115,37)	RS1/16SS104J		C 204	(A,107,115)	CKSRYB105K10	
R 703	(A,118,28)	RAB4CQ472J		C 205	(A,94,116)	CKSRYB105K10	
R 704	(A,110,41)	RS1/16SS104J		C 206	(A,107,114)	CKSRYB105K10	
R 706	(A,108,36)	RS1/16SS221J		C 207	(A,94,108)	CKSSYB104K10	
R 707	(A,109,38)	RS1/16SS221J		C 208	(A,94,106)	CKSSYB104K10	
R 708	(A,110,38)	RS1/16SS101J		C 209	(A,93,104) 10 uF	CCG1192	
R 709	(A,111,38)	RS1/16SS221J		C 210	(A,96,106)	CCSSCH151J50	
R 710	(A,112,38)	RS1/16SS101J		C 211	(A,109,107)	CCSSCH151J50	
R 711	(A,114,39)	RS1/16SS102J		C 212	(A,108,109) 10 uF	CCG1192	
R 715	(A,116,36)	RS1/16SS151J		C 213	(A,108,106)	CKSSYB104K10	C
R 716	(A,117,36)	RS1/16SS151J		C 214	(A,108,104)	CKSSYB104K10	
R 717	(A,119,36)	RS1/16SS151J		C 215	(A,108,102)	CKSSYB104K10	
R 718	(A,122,36)	RS1/16SS221J		C 216	(A,92,101) 10 uF	CCG1192	
R 719	(A,121,36)	RS1/16SS104J		C 217	(A,95,100)	CKSSYB104K10	
R 752	(A,145,135)	RS1/10SR821J		C 218	(A,114,109)	XCEVW470M16	
R 753	(A,127,91)	RS1/16SS473J		C 219	(A,112,103) 10 uF	CCG1192	
R 754	(A,127,92)	RS1/16SS103J		C 220	(A,106,98) 10 uF	CCG1192	
R 801	(A,124,22)	RS1/10SR222J		C 223	(A,91,101)	CKSSYB102K50	
R 802	(A,103,15)	RS1/10SR222J		C 224	(A,115,103)	CKSSYB104K10	
R 803	(A,121,17)	RS1/16SS223J		C 229	(A,110,112)	CKSSYB102K50	
R 804	(A,118,17)	RS1/16SS223J		C 236	(A,110,104)	CKSRYB105K10	D
R 805	(A,121,19)	RS1/10SR101J		C 251	(A,35,128) 4.7 uF	CCG1201	
R 806	(A,118,20)	RS1/10SR101J		C 252	(A,17,127) 4.7 uF	CCG1201	
R 807	(A,119,20)	RS1/10SR101J		C 253	(A,17,130)	CCSSCH101J50	
R 808	(A,124,20)	RS1/10SR222J		C 254	(A,10,130)	CCSSCH101J50	
R 809	(A,115,21)	RS1/10SR220J		C 255	(A,35,132) 4.7 uF	CCG1201	
R 810	(A,114,21)	RS1/10SR220J		C 256	(A,30,130) 4.7 uF	CCG1201	
R 811	(A,117,20)	RS1/10SR222J		C 257	(A,26,131)	CCSSCH101J50	
R 812	(A,112,21)	RS1/10SR222J		C 258	(A,20,131)	CCSSCH101J50	
R 813	(A,107,16)	RS1/10SR222J		C 261	(A,6,133) (A,C)	CCSSCH101J50	
R 814	(A,101,19)	RS1/10SR222J			(A,6,133) (B,D)	CKSSYB102K50	
R 815	(A,100,19)	RS1/16SS822J		C 301	(A,69,129)	CKSRYB224K16	E
				C 303	(A,80,129)	CKSRYB224K16	
R 816	(A,96,19)	RS1/10SR222J					
R 817	(A,95,19)	RS1/10SR222J		C 305	(A,72,129)	CKSRYB224K16	
R 851	(A,93,20)	RS1/16SS472J		C 307	(A,77,129)	CKSRYB224K16	
R 871	(A,143,65)	RS1/10SR332J		C 313	(A,83,130)	CKSRYB105K16	
R 872	(A,143,62)	RS1/16SS103J		C 314	(A,135,126)	CKSRYB104K16	
				C 317	(A,60,129)	XCEVW100M16	
R 877	(A,121,27)	RS1/16SS1R0J					
R 878	(A,124,26)	RS1/10SR473J		C 319	(A,62,136)	CCSSCH101J50	
R 891	(A,58,138)	RS1/16SS102J		C 320	(A,64,135)	CCSSCK1R0C50	
R 892	(A,58,136)	RS1/16SS102J		C 321	(A,83,129)	CCSSCH101J50	
R 911	(A,145,40)	RS1/10SR1R0J		C 322	(A,104,126)	CKSRYB104K16	F
				C 323	(A,106,129)	CCSRCH100D50	
R 912	(A,141,41)	RS1/10SR1R0J					
R 941	(A,94,121)	RS1/16SS223J		C 324	(A,102,129)	CCSRCH100D50	
R 942	(A,94,122)	RS1/16SS473J					

1

2

3

4

Circuit Symbol and No.**Part No.****Circuit Symbol and No.****Part No.**

	C 325 (A,95,134)	CCSRCH100D50	C 561 (A,102,23)	CKSRYP105K10
	C 326 (A,93,138)	CCSRCH100D50	C 564 (A,32,114) 4.7 uF	CCG1201
	C 327 (A,87,129)	CKSRYP105K16		
A	C 402 (A,155,101)	CKSSYP103K16	C 565 (A,15,107) 4.7 uF	CCG1222
	C 403 (A,152,102)	CKSRYP105K10	C 601 (A,104,66)	CKSSYP104K10
	C 405 (A,162,101)	CKSSYP103K16	C 602 (A,109,65)	CKSSYP104K10
	C 406 (A,160,101)	CKSSYP103K16	C 603 (A,111,65)	CKSSYP104K10
	C 408 (A,161,105)	CKSSYP103K16	C 604 (A,112,65)	CKSSYP104K10
	C 409 (A,156,105)	CCSSCH6R0D50	C 605 (A,116,65)	CKSSYP104K10
	C 410 (A,155,107)	CCSSCH330J50	C 606 (A,122,71)	CKSSYP104K10
	C 411 (A,148,99)	CKSSYP103K16	C 607 (A,126,73)	CCSSCH120J50
	C 412 (A,148,101)	CKSSYP104K10	C 608 (A,126,78)	CCSSCH120J50
	C 413 (A,150,101)	CKSSYP104K10	C 609 (A,121,73)	CKSSYP104K10
	C 414 (A,145,100)	CKSSYP103K16	C 610 (A,121,75)	CKSSYP104K10
B	C 415 (A,144,101) 10 uF	CCG1192	C 611 (A,122,77)	CKSSYP104K10
	C 416 (A,147,100)	CKSSYP104K10	C 612 (A,122,82)	CKSSYP104K10
	C 418 (A,142,101)	CKSSYP223K16	C 613 (A,123,82)	CKSSYP104K10
	C 419 (A,146,110) (C,D)	CCSSCH150J50	C 618 (A,123,89)	CCSSCH120J50
	C 420 (A,150,106) (B,C,D)	CKSSYP103K16	C 619 (A,123,94)	CCSSCH120J50
	C 421 (A,154,111) (A)	CCSSCJ3R0C50	C 620 (A,114,88)	CKSSYP104K10
	C 423 (A,144,106) (C,D)	CCSSCH8R0D50	C 621 (A,108,88)	CKSSYP104K10
	C 424 (A,140,101)	CKSSYP103K16	C 622 (A,105,93)	CCSSCH220J50
	C 425 (A,138,99) 10 uF	CCG1192	C 623 (A,106,88)	CKSSYP104K10
	C 426 (A,139,97)	CKSSYP104K10	C 624 (A,105,88)	CKSSYP104K10
C	C 427 (A,144,97)	CKSSYP104K10	C 625 (A,104,90)	CKSSYP104K10
	C 428 (A,137,96) (A,B)	CCSSCH101J50	C 626 (A,100,80)	CKSSYP104K10
	(A,137,96) (C,D)	CCSSCH220J50	C 627 (A,97,81)	CCSSCH220J50
	C 429 (A,136,96)	CKSSYP103K16	C 628 (A,95,81)	CCSSCH220J50
	C 430 (A,139,90) 1 uF(A)	DCH1246	C 629 (A,99,75)	CKSSYP104K10
	C 432 (A,138,92) (A,B)	CCSSCH820J50	C 630 (A,99,73)	CKSSYP104K10
	(A,138,92) (C,D)	CCSSC2R0C50	C 631 (A,96,77)	CCSSCH220J50
	C 433 (A,136,91) 1 uF(A)	DCH1246	C 672 (A,132,71)	CKSRYP105K10
	C 435 (A,139,86)	CKSRYP474K10	C 681 (A,121,96)	CKSSYP104K10
	C 436 (A,140,84) (C,D)	CKSSYP104K10	C 683 (A,120,94)	CCSSCJ3R0C50
	C 439 (A,145,80) (C,D)	CKSRYP104K16	C 701 (A,111,41)	CKSSYP103K16
D	C 440 (A,142,86)	CKSSYP102K50	C 704 (A,120,39)	CCSSCH100D50
	C 441 (A,137,89) (A)	CCSSCH100D50	C 705 (A,118,38)	CCSSCH100D50
	C 442 (A,146,83)	CKSSYP104K10	C 706 (A,116,38)	CCSSCH100D50
	C 444 (A,152,82) 2.2 uF	CCG1218	C 752 (A,141,135)	CKSSYP104K10
	C 445 (A,156,82)	CKSSYP104K10	C 753 (A,147,131) 10 uF	CCG1192
	C 447 (A,157,83) 2.2 uF(C,D)	CCG1218	C 807 (A,122,14)	CKSRYP105K10
	C 448 (A,158,85) (A,B)	CKSSYP104K10	C 808 (A,108,19)	CKSRYP104K16
	C 449 (A,161,85)	CCSSCH9R0D50	C 811 (A,104,20)	CKSSYP104K10
	C 450 (A,161,90)	CCSSCH9R0D50	C 873 (A,124,24)	CKSRYP104K16
	C 451 (A,158,91)	CKSSYP104K10	C 891 (A,52,138)	CKSRYP104K16
	C 452 (A,158,94)	CKSRYP105K10	C 892 (A,34,139)	CKSRYP104K16
E	C 453 (A,160,96)	CKSSYP104K10	C 893 (A,34,135)	CKSRYP102K50
	C 455 (A,158,97)	CKSRYP224K16	C 894 (A,52,134)	CKSRYP102K50
	C 456 (A,161,92)	CKSSYP472K25	C 901 (A,133,124) 2 200 uF/16 V	CCH2040
	C 457 (A,161,93)	CKSSYP472K25	C 912 (A,152,40)	CKSSYP102K50
	C 461 (A,145,104)	CKSSYP104K16	C 913 (A,131,43)	CKSSYP102K50
	C 531 (A,91,93)	CKSSYP104K10	C 914 (A,156,56) 1 000 uF/16 V	CCH2024
	C 532 (A,93,93)	CKSSYP104K10	C 915 (A,132,42)	CKSRYP104K16
	C 551 (A,13,121)	XCEVW221M16	C 916 (A,146,43) 4.7 uF	CCG1201
	C 552 (A,13,107)	CKSRYP105K16	C 917 (A,145,46)	CKSSYP102K50
	C 553 (A,15,110)	CKSSYP103K16	C 919 (A,151,42) 4.7 uF	CCG1201
F	C 555 (A,25,112)	CKSSYP682K25	C 921 (A,135,42) 4.7 uF	CCG1201
	C 556 (A,32,120)	CEVQW221M6R3	C 923 (A,159,41) 4.7 uF	CCG1201
	C 557 (A,32,116)	CKSRYP105K10	C 926 (A,140,44) 4.7 uF	CCG1201
	C 560 (A,108,21)	CKSRYP105K10	C 927 (A,139,42)	CKSSYP102K50
			C 941 (A,96,124)	CKSRYP104K16

1

2

3

4

5		6	
<u>Circuit Symbol and No.</u>		<u>Part No.</u>	
C 961	(A,126,107)	CKSSYB104K16	
C 962	(A,132,107)	CKSSYB104K16	
C 966	(A,128,112)	CKSSYB333K16	
C 969	(A,135,113) 22 uF	DCH1256	
C 973	(A,98,53)	CCSSCH470J50	

B
Unit Number :
Unit Name : Keyboard Unit

MISCELLANEOUS

IC 1802	(B,83,58) IC	PDC202B	
IC 1851	(B,61,23) IC	BH2228FV	
IC 1941	(A,25,74) Remote IC	GP1UXC14RK	
Q 1851	(B,32,20) Transistor	LSCR523UB	
Q 1852	(B,35,30) Transistor	LSCR523UB	
Q 1853	(B,42,26) Transistor	LSCR523UB	
Q 1854	(B,50,31) Transistor	LSCR523UB	
Q 1855	(B,50,38) Transistor	LSCR523UB	
Q 1856	(B,59,36) Transistor	LSCR523UB	
Q 1857	(B,147,66) Transistor	LSCR523UB	
Q 1858	(B,153,60) Transistor	LSCR523UB	
Q 1859	(B,140,58) Transistor	LSCR523UB	
Q 1866	(B,38,52) Transistor	LSCR523UB	
Q 1867	(B,31,55) Transistor	LSCR523UB	
Q 1868	(B,44,50) Transistor	LSCR523UB	
Q 1869	(B,112,40) Transistor	LSCR523UB	
Q 1870	(B,120,48) Transistor	LSCR523UB	
Q 1871	(B,105,41) Transistor	LSCR523UB	
D 1882	(A,153,49) LED	SMLVN6RGB2U(A)	
D 1883	(A,16,49) LED	SMLVN6RGB2U(A)	
D 1884	(A,118,24) LED	SMLVN6RGB2U(A)	
D 1885	(A,35,70) LED	MSL0101RGBU	
D 1886	(A,134,71) LED	MSL0101RGBU	
D 1887	(A,51,24) LED	SMLVN6RGB2U(A)	
L 1802	(B,133,13) Inductor	CTF1389	
L 1803	(B,131,17) Inductor	CTF1389	
L 1804	(B,131,10) Inductor	CTF1389	
X 1801	(B,70,49) Ceramic Resonator 5.00 MHz	CSS1547	
S 1821	(A,51,20) Push Switch	CSG1155	
S 1822	(A,15,93) Push Switch	CSG1155	
S 1823	(A,118,20) Push Switch	CSG1155	
S 1824	(A,58,9) Push Switch	CSG1155	
S 1826	(A,18,43) Push Switch	CSG1155	
S 1828	(A,110,39) Push Switch	CSG1155	
S 1830	(A,85,24)Encoder(MULTI-CONTROL)	CSD1168	
S 1832	(A,111,9) Push Switch	CSG1155	
S 1834	(A,130,53) Push Switch	CSG1155	
S 1835	(A,120,53) Push Switch	CSG1155	
S 1836	(A,89,53) Push Switch	CSG1155	
S 1837	(A,96,53) Push Switch	CSG1155	
S 1838	(A,58,53) Push Switch	CSG1155	
S 1839	(A,65,53) Push Switch	CSG1155	
S 1840	(A,34,53) Push Switch	CSG1155	
S 1842	(A,59,39) Push Switch	CSG1155	
CN1911	(A,150,33) Connector	CKS6443	
CN1931	(B,109,10) Connector	CKS6451	
JA1921	(A,151,16) Jack	CKN1094	
V 1802	(A,40,80) Segment LCD	CAW2025	

7		8	
<u>Circuit Symbol and No.</u>		<u>Part No.</u>	

RESISTORS

R 1809	(B,79,44)	RS1/10SR473J	
R 1810	(B,68,42)	RS1/10SR103J	
R 1824	(B,67,31)	RS1/10SR273J	
R 1851	(B,64,18)	RS1/10SR222J	
R 1852	(B,63,18)	RS1/10SR222J	
R 1853	(B,61,18)	RS1/10SR222J	
R 1854	(B,44,17)	RS1/10SR102J	
R 1856	(B,45,19)	RS1/10SR102J	
R 1858	(B,51,21)	RS1/10SR102J	
R 1860	(B,51,26)	RS1/10SR102J	
R 1862	(B,54,29)	RS1/10SR102J	
R 1864	(B,56,29)	RS1/10SR102J	
R 1866	(B,139,65)	RS1/10SR101J	
R 1867	(B,149,58)	RS1/10SR101J	
R 1868	(B,127,56)	RS1/10SR101J	
R 1872	(B,100,43)	RS1/10SR101J	
R 1873	(B,114,46)	RS1/10SR101J	
R 1874	(B,106,34)	RS1/10SR101J	
R 1875	(B,43,39)	RS1/10SR101J	
R 1876	(B,28,49)	RS1/10SR101J	
R 1877	(B,51,44)	RS1/10SR101J	
R 1881	(B,142,67)	RS1/10SR680J	
R 1882	(B,139,67)	RS1/10SR0R0J	
R 1883	(B,147,61)	RS1/10SR680J	
R 1884	(B,147,62)	RS1/10SR0R0J	
R 1885	(B,142,61)	RS1/10SR680J	
R 1886	(B,142,62)	RS1/10SR0R0J	
R 1899	(B,32,49)	RS1/10SR680J	
R 1900	(B,31,49)	RS1/10SR0R0J	
R 1901	(B,27,58)	RS1/10SR680J	
R 1902	(B,25,53)	RS1/10SR0R0J	
R 1903	(B,48,46)	RS1/10SR680J	
R 1904	(B,48,44)	RS1/10SR0R0J	
R 1905	(B,105,52)	RS1/10SR680J	
R 1906	(B,107,48)	RS1/10SR680J	
R 1907	(B,111,36)	RS1/10SR680J	
R 1918	(B,108,52)	RS1/10SR0R0J	
R 1919	(B,107,49)	RS1/10SR0R0J	
R 1920	(B,111,34)	RS1/10SR0R0J	
R 1931	(B,86,11)	RS1/10SR222J	
R 1932	(B,86,13)	RS1/10SR222J	
R 1944	(B,31,61)	RS1/10SR101J	

CAPACITORS

C 1801	(B,83,41)	CKSRYB104K16	
C 1802	(B,83,40)	CKSRYB104K16	
C 1803	(B,86,40)	CKSRYB104K16	
C 1804	(B,69,53)	CKSRYB105K10	
C 1805	(B,73,43)	CKSRYB104K16	
C 1851	(B,64,11)	CCSRCH100D50	
C 1852	(B,62,11)	CCSRCH100D50	
C 1853	(B,60,11)	CCSRCH100D50	
C 1854	(B,68,21)	CKSRYB103K50	
C 1855	(B,66,21)	CKSRYB105K10	
C 1911	(B,140,27)	CKSRYB104K16	
C 1912	(B,136,24)	CKSRYB104K16	
C 1941	(B,28,61) 10 uF	CCG1192	

1
Circuit Symbol and No.

2
Part No.

3
Circuit Symbol and No.

4
Part No.

D

Unit Number : QWM3533
Unit Name : BT Unit

MISCELLANEOUS

IC 21	(A,8,48) Regulator IC	S-1172B18-E6
IC 22	(A,21,46) IC	S-1206B33-U3
CN21	(A,34,27) Connector	CKS6346
CN23	(A,42,44) Connector	CKS3857

RESISTORS

R 28	(A,42,31)	RS1/10SR102J
R 29	(A,30,41)	RS1/10SR102J
R 30	(A,30,37)	RS1/10SR102J
R 38	(A,42,17)	RS1/10SR0R0J
R 39	(A,41,23)	RS1/10SR221J
R 40	(A,40,23)	RS1/10SR221J
R 41	(A,38,23)	RS1/10SR221J

CAPACITORS

C 23	(A,24,40) Capacitor	CEVW221M4
C 24	(A,7,44)	CKSRYB105K10
C 26	(A,27,48) 10 uF	CCG1192
C 29	(A,17,45)	CKSRYB105K10
C 33	(A,9,54) 10 uF	CCG1192
C 34	(A,42,30)	CKSRYB105K10
C 36	(A,32,40)	CKSRYB104K16
C 38	(A,15,46) 10 uF	CCG1192
C 39	(A,6,42) 10 uF	CCG1192

C

Unit Number : CWX4023

Unit Name : CD Core Unit (S11.6STD)

MISCELLANEOUS

IC 201	(B,23,37) IC	PE5791A
IC 301	(A,37,11) IC	BD8223EFV
Q 101	(B,11,53) Transistor	2SA1577
Q 102	(B,15,54) Transistor	LTA123JUB
X 201	(B,25,49) Ceramic Resonator 16.934 MHz	CSS1603
S 901	(A,42,53) Spring Switch(HOME)	CSN1080
S 903	(B,21,12) Spring Switch(DSCSNS)	CSN1081
CN101	(A,16,58) Connector	CKS4808
CN701	(A,25,29) Connector	CKS6146

RESISTORS

R 101	(B,6,57)	RS1/10SR2R4J
R 102	(B,8,57)	RS1/10SR2R4J
R 103	(B,9,57)	RS1/10SR2R7J
R 108	(B,18,55)	RS1/16SS105J
R 109	(B,12,50)	RS1/16SS222J
R 201	(A,24,11)	RS1/16SS0R0J
R 202	(A,23,9)	RS1/16SS0R0J
R 214	(B,18,28)	RS1/16SS103J
R 215	(B,17,28)	RS1/16SS393J
R 216	(B,12,35)	RS1/16SS122J

R 217	(B,10,32)	RS1/16SS562J
R 218	(B,10,35)	RS1/16SS472J
R 229	(B,12,34)	RS1/16SS471J
R 232	(A,31,54)	RS1/16SS0R0J
R 237	(B,33,45)	RS1/16SS221J

R 240	(B,34,40)	RS1/16SS473J
R 245	(A,34,46)	RS1/16SS104J
R 254	(A,37,56)	RS1/16SS104J
R 260	(B,30,27)	RS1/16SS103J
R 264	(A,22,9)	RS1/16SS102J

R 281	(B,33,38)	RS1/16SS560J
R 282	(B,33,39)	RS1/16SS560J
R 283	(B,35,38)	RS1/16SS0R0J
R 291	(B,33,34)	RS1/16SS560J
R 292	(B,33,36)	RS1/16SS0R0J

R 293	(B,35,39)	RS1/16SS0R0J
R 294	(B,27,48)	RS1/16SS471J
R 296	(B,34,43)	RS1/16SS0R0J
R 301	(A,27,9)	RS1/16SS0R0J
R 302	(A,28,9)	RS1/16SS0R0J

R 303	(A,27,11)	RS1/16SS123J
R 304	(A,28,11)	RS1/16SS123J
R 305	(A,26,9)	RS1/16SS102J
R 306	(A,26,11)	RS1/16SS472J
R 307	(A,25,9)	RS1/16SS102J

R 308	(A,25,11)	RS1/16SS472J
R 309	(A,35,6)	RS1/16SS473J
R 310	(B,30,9)	RS1/16SS472J
R 311	(B,30,10)	RS1/16SS472J
R 312	(B,30,11)	RS1/16SS472J

R 313	(B,30,12)	RS1/16SS472J
R 701	(A,21,38)	RS1/16SS101J
R 702	(A,23,38)	RS1/16SS101J
R 706	(A,32,42)	RS1/16SS221J
R 708	(B,28,26)	RS1/16SS0R0J

R 709	(B,29,28)	RS1/16SS0R0J
-------	-----------	--------------

CAPACITORS

C 104	(B,12,57)	CKSQYB475K6R3
C 203	(B,22,47)	CKSSYB104K10
C 209	(B,28,47)	CKSRYB104K16
C 210	(B,33,43)	CKSSYB104K10
C 211	(B,33,41)	CKSSYB104K10

C 212	(B,22,28)	CKSSYB104K10
C 213	(B,18,26)	CKSSYB332K50
C 214	(B,17,26)	CKSSYB473K16
C 215	(B,19,28)	CKSSYB104K10
C 216	(B,12,33)	CKSSYB182K50

C 217	(B,10,34)	CCSSCH560J50
C 218	(B,10,36)	CCSSCH4R0C50
C 219	(B,14,34)	CKSSYB104K10
C 220	(A,18,38)	CKSSYB104K10
C 221	(B,14,32)	CKSSYB104K10

C 222	(B,13,37)	CKSSYB104K10
C 223	(B,12,42)	CCSSCH680J50
C 224	(B,13,45)	CCSSCH470J50
C 225	(B,13,46)	CKSSYB103K16
C 228	(B,10,33)	CCSSCH270J50

C 229	(B,9,40)	CKSSYB104K10
-------	----------	--------------

5
Circuit Symbol and No.

6
Part No.

C 233	(B,32,46)	CKSSYB103K16
C 236	(B,8,40)	CKSSYB104K10
C 238	(A,25,44)	CKSRYB104K16
C 299	(A,26,41)	CKSSYB104K10
C 302	(B,28,12)	CKSSYB102K50
C 303	(B,29,12)	CKSSYB102K50
C 304	(B,27,12)	CKSSYB223K16
C 305	(B,26,12)	CKSSYB104K10
C 306	(A,31,7)	CKSSYB104K10
C 307	(A,41,19)	CKSRYB105K10
C 308	(A,31,15)	CKSRYB105K10
C 710	(A,34,42)	CKSSYB102K50

A

B

C

D

E

F