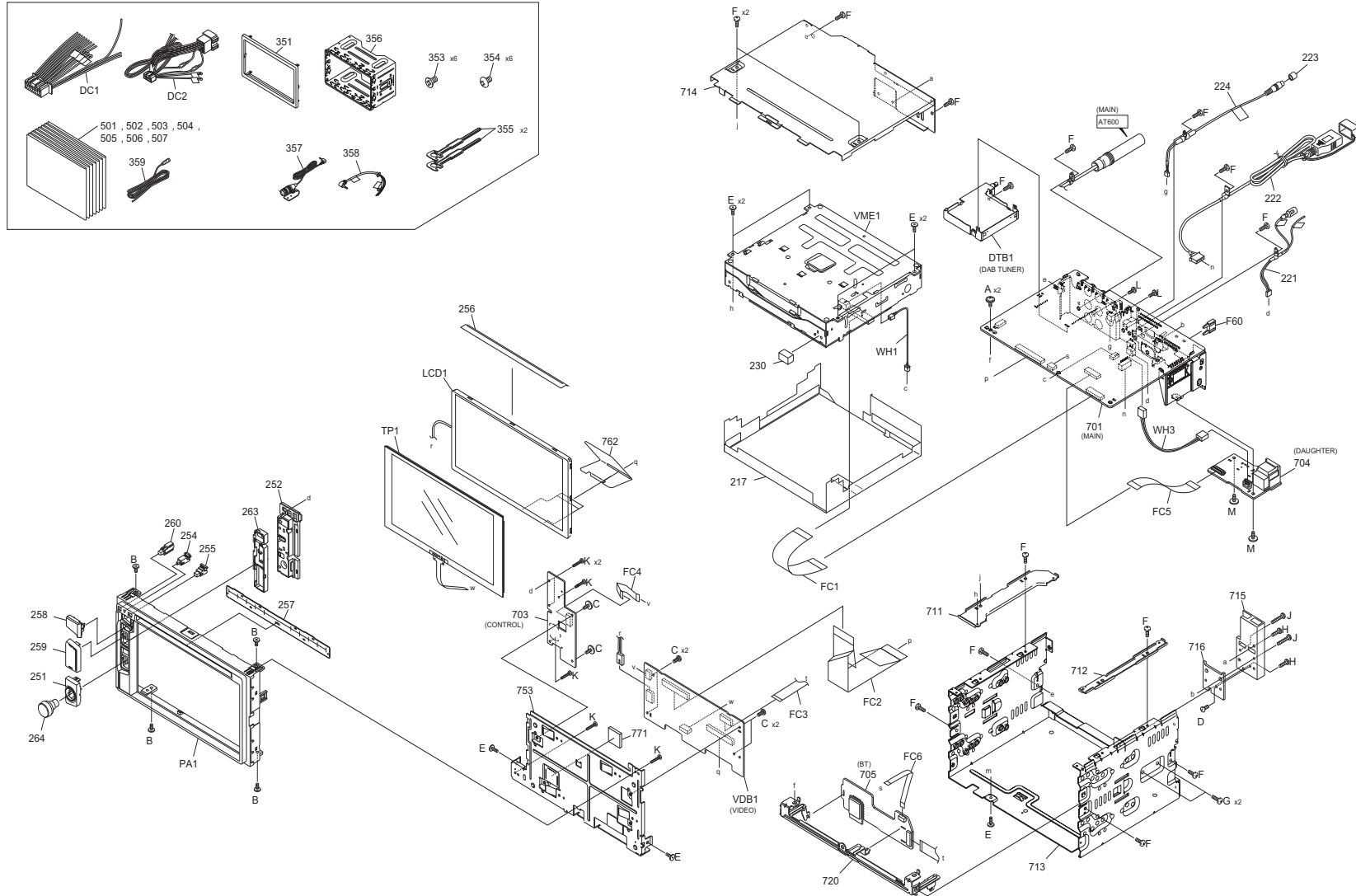


# EXPLODED VIEW (UNIT)

Block No.M1MM



Parts with the exploded numbers larger than 700 are not supplied.

created date:2017-07-06

| MODEL      | MARK | MODEL  | MARK | MODEL     | MARK | MODEL     | MARK |
|------------|------|--------|------|-----------|------|-----------|------|
| DDX375BT   | K0   | DDX395 | K1   | DDX4018BT | E1   | DDX4018BT | X1   |
| DDX4018DAB | E2   |        |      |           |      |           |      |

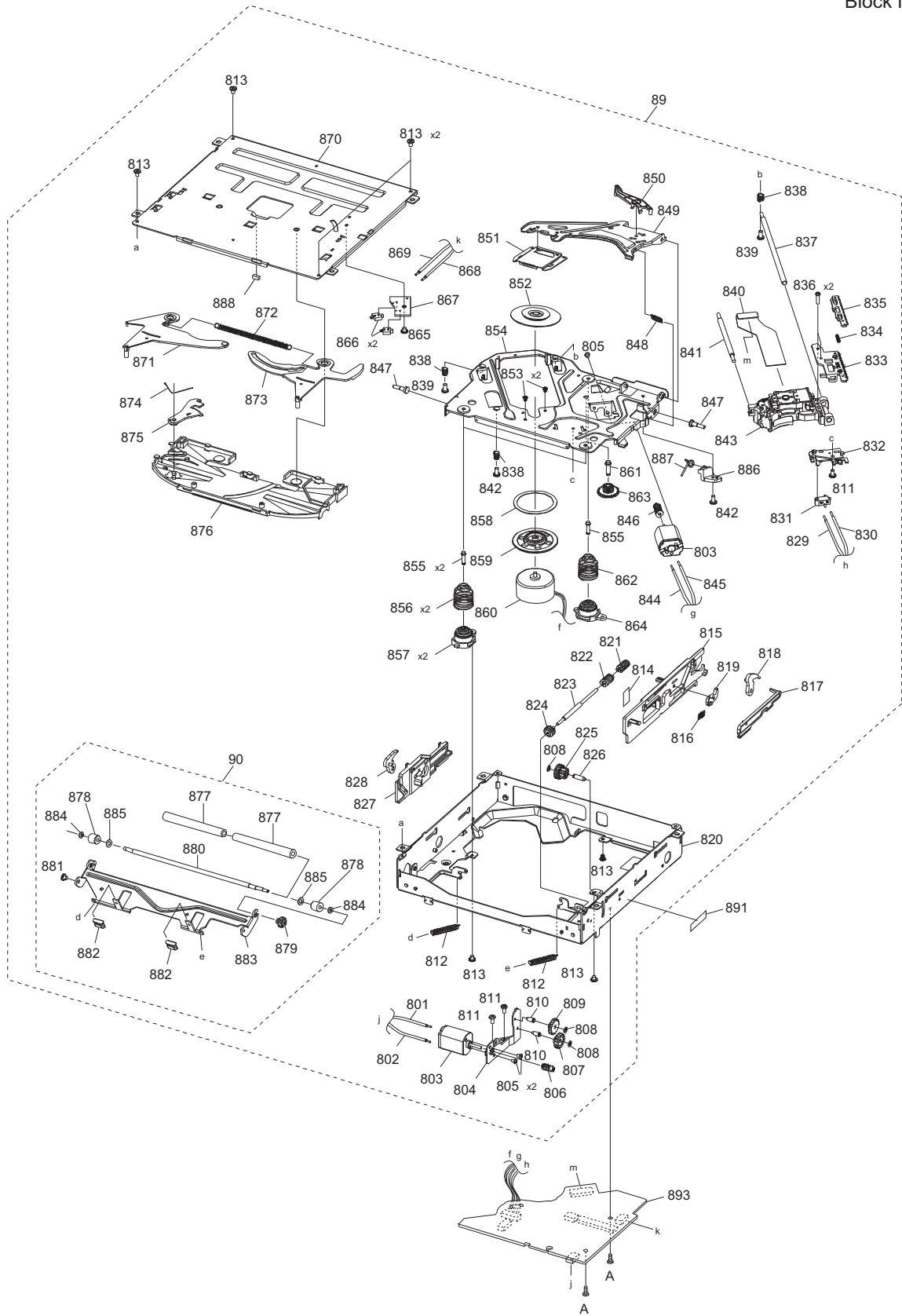
| Safe                                     | Symbol No. | Parts No.      | Parts Name         | Description     | QTY | Local       |
|--|------------|----------------|--------------------|-----------------|-----|-------------|
| <b>EXPLODED VIEW (UNIT) &lt;M1MM&gt;</b> |            |                |                    |                 |     |             |
|  | DC1        | E3A-0340-00    | DC CORD            |                 | 1   | K0,K1,X1    |
|  | DC2        | E3A-0341-00    | DC CORD            |                 | 1   | E1,E2       |
|  | DTB1       | XJH-0022-70    | DAB TUNER PWB ASSY | XJM-0132-72     | 1   | E2          |
|  | VDB1       | CB-XJ8047K00N  | VIDEO PWB ASSY     | XJ8-047K-00     | 1   | K0,E1,X1,E2 |
|  | VDB1       | CB-XJ8047K01N  | VIDEO PWB ASSY     | XJ8-047K-01     | 1   | K1          |
| △  | F60        | FZB10BT-100    | BLADE FUSE         |                 | 1   |             |
|  | FC1        | E3F-0147-00    | FLAT CABLE         |                 | 1   |             |
|  | FC2        | E3G-0046-00    | FFC WIRE           |                 | 1   |             |
|  | FC3        | E3G-0044-00    | FFC WIRE           |                 | 1   |             |
|  | FC4        | E3F-0105-00    | FLAT CABLE         |                 | 1   |             |
|  | FC5        | E3F-0104-00    | FLAT CABLE         |                 | 1   | K0,K1       |
|  | FC5        | EF0AA052208BC  | FFC WIRE           |                 | 1   | E1,X1,E2    |
|  | FC6        | EF0AA0508X6AC  | FFC WIRE           |                 | 1   |             |
|  | LCD1       | B3H-0014-10    | LCD                |                 | 1   |             |
|  | PA1        | A6C-0050-0K    | PANEL              |                 | 1   | K0          |
|  | PA1        | A6C-0050-0J    | PANEL              |                 | 1   | K1          |
|  | PA1        | A6C-0050-0M    | PANEL              |                 | 1   | E1,X1       |
|  | PA1        | A6C-0050-0L    | PANEL              |                 | 1   | E2          |
|  | TP1        | W0C-0197-00    | TOUCH PANEL        |                 | 1   |             |
|  | VME1       | XJJ-014W-01    | MECHANISM ASSY     |                 | 1   |             |
|  | WH1        | E3K-0327-00    | WIRING HARNESS     |                 | 1   |             |
|  | WH3        | WJJ1273-001A-E | E-SI C WIRE C-C    |                 | 1   | K0,K1       |
|  | A          | GE40377-002A   | SPECIAL SCREW      |                 | 2   |             |
|  | B          | LV44159-005A   | MINI SCREW         |                 | 4   |             |
|  | C          | LV44615-003A   | SPECIAL SCREW      |                 | 6   |             |
|  | D          | QYSDSP2610ZA   | SCREW              | M2.6 x 10mm     | 1   |             |
|  | E          | QYSDST2006ZA   | TAP SCREW          | M2 x 6mm        | 7   |             |
|  | F          | QYSDST2606ZA   | TAP SCREW          | M2.6 x 6mm      | 12  | K0,K1,E1    |
|  | F          | QYSDST2606ZA   | TAP SCREW          | M2.6 x 6mm      | 13  | X1          |
|  | F          | QYSDST2606ZA   | TAP SCREW          | M2.6 x 6mm      | 14  | E2          |
|  | G          | QYSDST2610ZA   | TAP SCREW          | M2.6 x 10mm     | 2   |             |
|  | H          | QYSDST2614ZA   | TAP SCREW          | M2.6 x 14mm     | 2   |             |
|  | J          | QYSDST2620ZA   | TAP SCREW          | M2.6 x 20mm     | 2   |             |
|  | K          | VKZ4777-015    | MINI SCREW         |                 | 6   |             |
|  | L          | QYSDSF2608ZA   | TAP SCREW          | M2.6 x 8mm      | 2   |             |
|  | M          | GE40377-002A   | SPECIAL SCREW      |                 | 2   |             |
|  | 217        | F0G-0134-00    | SHIELDING COVER    |                 | 1   |             |
|  | 221        | E3A-0045-01    | CORD W.CON.        |                 | 1   |             |
|  | 222        | E3A-0173-01    | USB CORD           |                 | 1   |             |
|  | 223        | F2K-0012-00    | INS.COVER          |                 | 1   | X1          |
|  | 224        | E3A-0377-00    | CORD W.CON.        |                 | 1   | X1          |
|  | 230        | G1D-0034-00    | CONDUCT CUSHION    |                 | 1   |             |
|  | 251        | A2B-0008-0B    | DRESSING PANEL     |                 | 1   | K0          |
|  | 251        | A2B-0008-14    | DRESSING PANEL     |                 | 1   | K1,E1,X1,E2 |
|  | 252        | B1K-0027-10    | LIGHTING B ASSY    |                 | 1   |             |
|  | 254        | K2A-0001-00    | KNOB               |                 | 1   |             |
|  | 255        | K2A-0002-00    | KNOB               |                 | 1   |             |
|  | 256        | F0K-0044-10    | SHEET              |                 | 1   |             |
|  | 257        | F1K-0005-00    | BLIND PLATE        |                 | 1   |             |
|  | 258        | K2A-0003-02    | KNOB               |                 | 1   |             |
|  | 259        | K2K-0140-0P    | KNOB ASSY          |                 | 1   | K0          |
|  | 259        | K2K-0140-0Q    | KNOB ASSY          |                 | 1   | K1,X1       |
|  | 259        | K2K-0140-0D    | KNOB ASSY          |                 | 1   | E1,E2       |
|  | 260        | W1A-0003-00    | LENS               |                 | 1   |             |
|  | 263        | K2K-0112-11    | KNOB BASE          |                 | 1   |             |
|  | 264        | K2K-0120-10    | KNOB ASSY          |                 | 1   |             |
|  | 351        | B9H-0001-00    | ESCUTCHEON         |                 | 1   | K1,E1,X1,E2 |
|  | 353        | QYSSSP5008ZA   | SCREW              | M5 x 8mm        | 6   | K0,K1,X1    |
|  | 354        | QYSTSP5008ZA   | SCREW              | M5 x 8mm        | 6   | K0,K1,X1    |
|  | 355        | D1A-0007-00    | LEVER              |                 | 2   | K1,E1,E2    |
|  | 356        | J2C-0006-00    | MOUNTING ASSY      |                 | 1   | K1,E1,E2    |
|  | 357        | QAN0126-001    | MICROPHONE         |                 | 1   |             |
|  | 358        | QAM1419-001    | CAR CABLE          |                 | 1   | X1          |
|  | 359        | E3A-0344-00    | CORD               |                 | 1   |             |
|  | 501        | B5A-2142-00    | INST.MANUAL        | ENG             | 1   | K0,K1       |
|  | 501        | B5A-2143-00    | INST.MANUAL        | ENG             | 1   | E1,E2       |
|  | 501        | B5A-2144-00    | INST.MANUAL        | ENG             | 1   | X1          |
|  | 502        | B5A-2142-02    | INST.MANUAL        | SPA             | 1   | K0,K1       |
|  | 502        | B5A-2143-01    | INST.MANUAL        | FRE             | 1   | E1,E2       |
|  | 503        | B5A-2142-01    | INST.MANUAL        | FRE             | 1   | K0,K1       |
|  | 503        | B5A-2143-02    | INST.MANUAL        | SPA             | 1   | E1,E2       |
|  | 504        | B5A-2143-03    | INST.MANUAL        | POR(EUROPE)     | 1   | E1,E2       |
|  | 505        | B5A-2143-04    | INST.MANUAL        | GER             | 1   | E1,E2       |
|  | 506        | B5A-2143-05    | INST.MANUAL        | DUT             | 1   | E1,E2       |
|  | 507        | B5A-2143-06    | INST.MANUAL        | ITA             | 1   | E1,E2       |
|  | 701        | -----          | MAIN PWB ASSY      | NO SERVICE PART | 1   | K0          |
|  | 701        | -----          | MAIN PWB ASSY      | NO SERVICE PART | 1   | K1          |
|  | 701        | -----          | MAIN PWB ASSY      | NO SERVICE PART | 1   | E1          |
|  | 701        | -----          | MAIN PWB ASSY      | NO SERVICE PART | 1   | X1          |
|  | 701        | -----          | MAIN PWB ASSY      | NO SERVICE PART | 1   | E2          |
|  | 703        | -----          | CONTROL PWB ASSY   | NO SERVICE PART | 1   |             |
|  | 704        | -----          | DAUGHTER PWB ASSY  | NO SERVICE PART | 1   | K0,K1       |
|  | 704        | -----          | DAUGHTER PWB ASSY  | NO SERVICE PART | 1   | E1,X1,E2    |
|  | 705        | -----          | BT PWB ASSY        | NO SERVICE PART | 1   |             |
|  | 711        | -----          | BRACKET            | NO SERVICE PART | 1   |             |
|  | 712        | -----          | BRACKET            | NO SERVICE PART | 1   |             |
|  | 713        | -----          | CHASSIS            | NO SERVICE PART | 1   |             |
|  | 714        | -----          | TOP PLATE          | NO SERVICE PART | 1   |             |
|  | 715        | -----          | HEAT SINK          | NO SERVICE PART | 1   |             |
|  | 716        | -----          | HEAT SINK          | NO SERVICE PART | 1   |             |

|            |      |        |      |           |      |           |      |
|------------|------|--------|------|-----------|------|-----------|------|
| MODEL      | MARK | MODEL  | MARK | MODEL     | MARK | MODEL     | MARK |
| DDX375BT   | K0   | DDX395 | K1   | DDX4018BT | E1   | DDX4018BT | X1   |
| DDX4018DAB | E2   |        |      |           |      |           |      |

| Safe | Symbol No. | Parts No. | Parts Name   | Description     | QTY | Local |
|------|------------|-----------|--------------|-----------------|-----|-------|
|      | 720        | -----     | STAY         | NO SERVICE PART | 1   |       |
|      | 753        | -----     | BRACKET ASSY | NO SERVICE PART | 1   |       |
|      | 762        | -----     | SHEET        | NO SERVICE PART | 1   |       |
|      | 771        | -----     | COOL SHEET   | NO SERVICE PART | 1   |       |

# EXPLODED VIEW (DVD MECHANISM: XJJ-014W-01)

Block No.MJMM



Parts with the exploded numbers larger than 800 are not supplied.

| MODEL      | MARK | MODEL  | MARK | MODEL     | MARK | MODEL     | MARK |
|------------|------|--------|------|-----------|------|-----------|------|
| DDX375BT   | K0   | DDX395 | K1   | DDX4018BT | E1   | DDX4018BT | X1   |
| DDX4018DAB | E2   |        |      |           |      |           |      |

| Safe   | Symbol No. | Parts No.    | Parts Name                | Description     | QTY | Local |
|--|------------|--------------|---------------------------|-----------------|-----|-------|
| <b>EXPLODED VIEW (DVD MECHANISM: XJJ-014W-01) &lt;MJMM&gt;</b> |            |              |                           |                 |     |       |
|  | A          | LV44615-001A | SPECIAL SCREW             |                 | 2   |       |
|  | 89         | D4A-0010-01  | DVD DRIVE                 |                 | 1   |       |
|  | 90         | CM-ROFD3N    | ROLLAR ASSY               |                 | 1   |       |
|  | 801        | -----        | LEAD                      | NO SERVICE PART | 1   |       |
|  | 802        | -----        | LEAD                      | NO SERVICE PART | 1   |       |
|  | 803        | -----        | SLED MOTOR                | NO SERVICE PART | 2   |       |
|  | 804        | -----        | MOTOR BRACKET             | NO SERVICE PART | 1   |       |
|  | 805        | -----        | SCREW                     | NO SERVICE PART | 3   |       |
|  | 806        | -----        | MOTOR WORM                | NO SERVICE PART | 1   |       |
|  | 807        | -----        | IDLER WHEEL A             | NO SERVICE PART | 1   |       |
|  | 808        | -----        | WASHER                    | NO SERVICE PART | 3   |       |
|  | 809        | -----        | IDLER WHEEL B             | NO SERVICE PART | 1   |       |
|  | 810        | -----        | IDLER WHEEL PIN           | NO SERVICE PART | 2   |       |
|  | 811        | -----        | SCREW                     | NO SERVICE PART | 3   |       |
|  | 812        | -----        | UP LEVER SPRING           | NO SERVICE PART | 2   |       |
|  | 813        | -----        | SCREW                     | NO SERVICE PART | 7   |       |
|  | 814        | -----        | CUSHION                   | NO SERVICE PART | 1   |       |
|  | 815        | -----        | LEVER R                   | NO SERVICE PART | 1   |       |
|  | 816        | -----        | SUB SPRING R              | NO SERVICE PART | 1   |       |
|  | 817        | -----        | SUB LEVER R               | NO SERVICE PART | 1   |       |
|  | 818        | -----        | LOCK LEVER R              | NO SERVICE PART | 1   |       |
|  | 819        | -----        | LOCK LEVER                | NO SERVICE PART | 1   |       |
|  | 820        | -----        | MAIN SHASSIS              | NO SERVICE PART | 1   |       |
|  | 821        | -----        | DRIVING WORM              | NO SERVICE PART | 1   |       |
|  | 822        | -----        | ROLLER WORM               | NO SERVICE PART | 1   |       |
|  | 823        | -----        | WORM SHAFT                | NO SERVICE PART | 1   |       |
|  | 824        | -----        | LOAD GEAR                 | NO SERVICE PART | 1   |       |
|  | 825        | -----        | DRIVING GEAR              | NO SERVICE PART | 1   |       |
|  | 826        | -----        | DRIVING GEAR PIN          | NO SERVICE PART | 1   |       |
|  | 827        | -----        | LEVER L                   | NO SERVICE PART | 1   |       |
|  | 828        | -----        | LOCK LEVER L              | NO SERVICE PART | 1   |       |
|  | 829        | -----        | LEAD                      | NO SERVICE PART | 1   |       |
|  | 830        | -----        | LEAD                      | NO SERVICE PART | 1   |       |
|  | 831        | -----        | INNER SWITCH              | NO SERVICE PART | 1   |       |
|  | 832        | -----        | PICK-UP GUIDER            | NO SERVICE PART | 1   |       |
|  | 833        | -----        | SLED RACK                 | NO SERVICE PART | 1   |       |
|  | 834        | -----        | SLED RACK SPRING          | NO SERVICE PART | 1   |       |
|  | 835        | -----        | SUB SLED RACK             | NO SERVICE PART | 1   |       |
|  | 836        | -----        | SCREW                     | NO SERVICE PART | 2   |       |
|  | 837        | -----        | MAIN SHAFT A              | NO SERVICE PART | 1   |       |
|  | 838        | -----        | JUDGEMENT SPRING          | NO SERVICE PART | 3   |       |
|  | 839        | -----        | SCREW                     | NO SERVICE PART | 2   |       |
|  | 840        | -----        | FPC                       | NO SERVICE PART | 1   |       |
|  | 841        | -----        | MAIN SHAFT B              | NO SERVICE PART | 1   |       |
|  | 842        | -----        | SCREW                     | NO SERVICE PART | 2   |       |
|  | 843        | -----        | PICK-UP                   | NO SERVICE PART | 1   |       |
|  | 844        | -----        | LEAD                      | NO SERVICE PART | 1   |       |
|  | 845        | -----        | LEAD                      | NO SERVICE PART | 1   |       |
|  | 846        | -----        | SLED WORM                 | NO SERVICE PART | 1   |       |
|  | 847        | -----        | PB LOCK PIN               | NO SERVICE PART | 2   |       |
|  | 848        | -----        | CHUCK SPRING              | NO SERVICE PART | 1   |       |
|  | 849        | -----        | CHUCK ARM                 | NO SERVICE PART | 1   |       |
|  | 850        | -----        | PUSH LEVER                | NO SERVICE PART | 1   |       |
|  | 851        | -----        | CHUCK PLATE               | NO SERVICE PART | 1   |       |
|  | 852        | -----        | CLAMP PLATE               | NO SERVICE PART | 1   |       |
|  | 853        | -----        | SCREW                     | NO SERVICE PART | 2   |       |
|  | 854        | -----        | PICK-UP BASE              | NO SERVICE PART | 1   |       |
|  | 855        | -----        | DAMPER PIN                | NO SERVICE PART | 3   |       |
|  | 856        | -----        | DAMPER SPRING L           | NO SERVICE PART | 2   |       |
|  | 857        | -----        | DAMPER L                  | NO SERVICE PART | 2   |       |
|  | 858        | -----        | RIBBAND                   | NO SERVICE PART | 1   |       |
|  | 859        | -----        | TURN TABLE                | NO SERVICE PART | 1   |       |
|  | 860        | -----        | SPINDER MOTOR             | NO SERVICE PART | 1   |       |
|  | 861        | -----        | SLED GEAR SHAFT           | NO SERVICE PART | 1   |       |
|  | 862        | -----        | DAMPER SPRING B           | NO SERVICE PART | 1   |       |
|  | 863        | -----        | SLED GEAR                 | NO SERVICE PART | 1   |       |
|  | 864        | -----        | DAMPER B                  | NO SERVICE PART | 1   |       |
|  | 865        | -----        | SCREW                     | NO SERVICE PART | 1   |       |
|  | 866        | -----        | SWITCK                    | NO SERVICE PART | 2   |       |
|  | 867        | -----        | PCB                       | NO SERVICE PART | 1   |       |
|  | 868        | -----        | LEAD                      | NO SERVICE PART | 1   |       |
|  | 869        | -----        | LEAD                      | NO SERVICE PART | 1   |       |
|  | 870        | -----        | TOP COVER                 | NO SERVICE PART | 1   |       |
|  | 871        | -----        | DISC ARM L                | NO SERVICE PART | 1   |       |
|  | 872        | -----        | DISC ARM SPRING           | NO SERVICE PART | 1   |       |
|  | 873        | -----        | DISC ARM R                | NO SERVICE PART | 1   |       |
|  | 874        | -----        | DISC ARM LOCKER<br>SPRING | NO SERVICE PART | 1   |       |
|  | 875        | -----        | DISC ARM LOCKER           | NO SERVICE PART | 1   |       |
|  | 876        | -----        | TOP GUIDE                 | NO SERVICE PART | 1   |       |
|  | 877        | -----        | ROLLER L                  | NO SERVICE PART | 2   |       |
|  | 878        | -----        | ROLLER SHAFT              | NO SERVICE PART | 2   |       |
|  | 879        | -----        | ROLLER GEAR               | NO SERVICE PART | 1   |       |
|  | 880        | -----        | ROLLER SHAFT              | NO SERVICE PART | 1   |       |
|  | 881        | -----        | SCREW                     | NO SERVICE PART | 1   |       |
|  | 882        | -----        | PROTSCT COVER             | NO SERVICE PART | 2   |       |
|  | 883        | -----        | UP LEVER                  | NO SERVICE PART | 1   |       |
|  | 884        | -----        | WASHER                    | NO SERVICE PART | 2   |       |
|  | 885        | -----        | WASHER                    | NO SERVICE PART | 2   |       |
|  | 886        | -----        | SUB CHUCK SPRING          | NO SERVICE PART | 1   |       |

|            |      |        |      |           |      |           |      |
|------------|------|--------|------|-----------|------|-----------|------|
| MODEL      | MARK | MODEL  | MARK | MODEL     | MARK | MODEL     | MARK |
| DDX375BT   | K0   | DDX395 | K1   | DDX4018BT | E1   | DDX4018BT | X1   |
| DDX4018DAB | E2   |        |      |           |      |           |      |

| Safe | Symbol No. | Parts No. | Parts Name       | Description     | QTY | Local |
|------|------------|-----------|------------------|-----------------|-----|-------|
|      |            |           | BRACHET          |                 |     |       |
|      | 887        | -----     | SUB CHUCK SPRING | NO SERVICE PART | 1   |       |
|      | 888        | -----     | TOP CUSHION      | NO SERVICE PART | 1   |       |
|      | 891        | -----     | SPACER(H)        | NO SERVICE PART | 2   |       |
|      | 893        | -----     | DVD PROCESSOR U  | NO SERVICE PART | 1   |       |

| MODEL      | MARK | MODEL  | MARK | MODEL     | MARK | MODEL     | MARK |
|------------|------|--------|------|-----------|------|-----------|------|
| DDX375BT   | K0   | DDX395 | K1   | DDX4018BT | E1   | DDX4018BT | X1   |
| DDX4018DAB | E2   |        |      |           |      |           |      |

| Safe   | Symbol No. | Parts No.      | Parts Name      | Description | QTY | Local       |
|--|------------|----------------|-----------------|-------------|-----|-------------|
| <b>MAIN PWB ASSY (XJ1-201x-0x) &lt;XJ1&gt;</b> |            |                |                 |             |     |             |
|  | IC80       | TC7USB42FT     | MOS IC          |             | 1   |             |
|  | IC130      | NJM2535V-ZB    | ANALOG IC       |             | 1   |             |
|  | IC131      | NJM2535V-ZB    | ANALOG IC       |             | 1   |             |
|  | IC132      | NJM2561F1      | BIPOLAR IC      |             | 1   |             |
|  | IC160      | BD37069FV-M    | ANALOG IC       |             | 1   |             |
|  | IC161      | NJM11100F1     | ANALOG IC       |             | 1   | K0,E1,X1,E2 |
|  | IC162      | NJW4190R-A     | ANALOG IC       |             | 1   | K1          |
|  | IC220      | NJM4565E       | BIPOLAR IC      |             | 1   |             |
|  | IC243      | NJM11100F1     | ANALOG IC       |             | 1   |             |
| △  | IC300      | JCV8034        | ANALOG IC       |             | 1   |             |
|  | IC430      | W3F-0158-00    | MCU IC          |             | 1   | E2          |
|  | IC470      | NJM2584AM      | ANALOG IC       |             | 1   | E1,X1,E2    |
|  | IC500      | MP9942AGJ      | ANALOG IC       |             | 1   |             |
|  | IC501      | BD00HA5WEFJ    | ANALOG IC       |             | 1   |             |
|  | IC502      | BD00HA5WEFJ    | ANALOG IC       |             | 1   |             |
|  | IC540      | MP9942AGJ      | ANALOG IC       |             | 1   |             |
|  | IC580      | LM3481MMXNOPB  | ANALOG IC       |             | 1   |             |
|  | IC600      | SI4763-A42-GM  | MOS IC          |             | 1   | K0,K1,E1,X1 |
|  | IC720      | W3F-0325-00    | MCU IC          |             | 1   |             |
|  | IC820      | REX24016AAS0A  | ROM IC          |             | 1   |             |
|  | IC830      | BU4824F        | MOS IC          |             | 1   |             |
|  | IC840      | TC7SH17FUF     | MOS IC          |             | 1   |             |
|  | IC841      | TC7SET08FU-J-X | IC(DIGITAL)     |             | 1   |             |
|  | IC842      | TC7SH17FUF     | MOS IC          |             | 1   | K0,K1       |
|  | IC843      | TC7SET08FU-J-X | IC(DIGITAL)     |             | 1   | K0,K1       |
|  | IC860      | MP9942AGJ      | ANALOG IC       |             | 1   |             |
|  | IC890      | BD2242G-G      | MOS IC          |             | 1   |             |
|  | IC900      | LV5684NPVD-H   | ANALOG IC       |             | 1   |             |
|  | IC901      | XC6201P502P-G  | MOS IC          |             | 1   |             |
|  | IC930      | TC7SET08FU-J-X | IC(DIGITAL)     |             | 1   |             |
|  | Q161       | LSCR523UBFS8   | TRANSISTOR      |             | 1   |             |
|  | Q162       | LSCR523UBFS8   | TRANSISTOR      |             | 1   |             |
|  | Q220       | LSCR523EBFS8   | TRANSISTOR      |             | 1   |             |
|  | Q250       | IMX9           | DUAL TRANSISTOR |             | 1   |             |
|  | Q270       | KRA306-P       | DIGI TRANSISTOR |             | 1   |             |
|  | Q320       | IMX9           | DUAL TRANSISTOR |             | 1   |             |
|  | Q340       | IMX9           | DUAL TRANSISTOR |             | 1   |             |
|  | Q360       | LSCR523EBFS8   | TRANSISTOR      |             | 1   |             |
|  | Q410       | LSAR523EBFS8   | TRANSISTOR      |             | 1   |             |
|  | Q411       | LSCR523EBFS8   | TRANSISTOR      |             | 1   |             |
|  | Q412       | KRA307E-P      | TRANSISTOR      |             | 1   |             |
|  | Q413       | KRC403E-P      | DIGI TRANSISTOR |             | 1   |             |
|  | Q540       | KRC407E-P      | DIGI TRANSISTOR |             | 1   |             |
|  | Q580       | RTQ035N03      | FET             |             | 1   |             |
|  | Q650       | KRA306E-P      | TRANSISTOR      |             | 1   |             |
|  | Q720       | LSAR523UBFS8   | TRANSISTOR      |             | 1   |             |
|  | Q830       | KRA302E-P      | DIGI TRANSISTOR |             | 1   |             |
|  | Q831       | KRC407E-P      | DIGI TRANSISTOR |             | 1   |             |
|  | Q832       | KRC407E-P      | DIGI TRANSISTOR |             | 1   |             |
|  | Q920       | KRA302E-P      | DIGI TRANSISTOR |             | 1   |             |
|  | Q921       | KRC404E-P      | DIGI TRANSISTOR |             | 1   |             |
|  | Q922       | MCQ4435        | FET             |             | 1   |             |
|  | Q950       | KRC407E-P      | DIGI TRANSISTOR |             | 1   |             |
|  | Q951       | LSCR523UBFS8   | TRANSISTOR      |             | 1   |             |
|  | Q952       | LSAR523UBFS8   | TRANSISTOR      |             | 1   |             |
|  | Q970       | KRC407E-P      | DIGI TRANSISTOR |             | 1   |             |
|  | Q971       | KRC407E-P      | DIGI TRANSISTOR |             | 1   |             |
|  | Q972       | LSCR523EBFS8   | TRANSISTOR      |             | 1   |             |
|  | Q973       | LSAR523EBFS8   | TRANSISTOR      |             | 1   |             |
|  | Q974       | LSCR523EBFS8   | TRANSISTOR      |             | 1   |             |
|  | Q975       | LTA014TUBFS8   | DIGI TRANSISTOR |             | 1   |             |
|  | Q976       | LSAR523EBFS8   | TRANSISTOR      |             | 1   |             |
|  | Q990       | RE1C002ZP      | FET             |             | 1   | E1,X1,E2    |
|  | Q991       | RE1C002ZP      | FET             |             | 1   | E1,X1,E2    |
|  | Q992       | KRC407E-P      | DIGI TRANSISTOR |             | 1   | E1,X1,E2    |
|  | Q1010      | KRC407E-P      | DIGI TRANSISTOR |             | 1   |             |
|  | D61        | GN3XB          | DIODE           |             | 1   |             |
|  | D160       | UDZV6.2B       | ZENER DIODE     |             | 1   |             |
|  | D220       | UDZV5.6B       | ZENER DIODE     |             | 1   |             |
|  | D270       | DAP202U        | DIODE ARRAY     |             | 1   |             |
|  | D271       | 1SS355VM       | DIODE           |             | 1   |             |
|  | D272       | DAP202U        | DIODE ARRAY     |             | 1   | E1,E2       |
|  | D382       | SM5818PL       | SCHOTTKY DIODE  |             | 1   |             |
|  | D383       | SM5818PL       | SCHOTTKY DIODE  |             | 1   |             |
|  | D400       | UDZV6.2B       | ZENER DIODE     |             | 1   |             |
|  | D410       | 1SS355VM       | DIODE           |             | 1   |             |
|  | D411       | 1SS355VM       | DIODE           |             | 1   |             |
|  | D430       | UDZV3.3B       | ZENER DIODE     |             | 1   | E2          |
|  | D500       | SM5818PL       | SCHOTTKY DIODE  |             | 1   |             |
|  | D501       | SM5818PL       | SCHOTTKY DIODE  |             | 1   |             |
|  | D540       | 1SS355VM       | DIODE           |             | 1   |             |
|  | D541       | 1SS355VM       | DIODE           |             | 1   |             |
|  | D580       | RB160L-40      | SCHOTTKY DIODE  |             | 1   |             |
|  | D581       | 1SS355VM       | DIODE           |             | 1   |             |
|  | D582       | 1SS355VM       | DIODE           |             | 1   |             |
|  | D830       | 1SS355VM       | DIODE           |             | 1   |             |
|  | D900       | SM5818PL       | SCHOTTKY DIODE  |             | 1   |             |
|  | D901       | SK34A-L        | SCHOTTKY DIODE  |             | 1   |             |
|  | D920       | UDZV18B        | ZENER DIODE     |             | 1   |             |
|  | D950       | UDZV6.2B       | ZENER DIODE     |             | 1   |             |

|            |      |        |      |           |      |           |      |
|------------|------|--------|------|-----------|------|-----------|------|
| MODEL      | MARK | MODEL  | MARK | MODEL     | MARK | MODEL     | MARK |
| DDX375BT   | K0   | DDX395 | K1   | DDX4018BT | E1   | DDX4018BT | X1   |
| DDX4018DAB | E2   |        |      |           |      |           |      |

| Safe | Symbol No. | Parts No.     | Parts Name  | Description   | QTY | Local       |
|------|------------|---------------|-------------|---------------|-----|-------------|
|      | D951       | UDZV18B       | ZENER DIODE |               | 1   |             |
|      | D970       | UDZV6.2B      | ZENER DIODE |               | 1   |             |
|      | D990       | 1SS355VM      | DIODE       |               | 1   | E1,X1,E2    |
|      | D991       | 1SS355VM      | DIODE       |               | 1   | E1,X1,E2    |
|      | C60        | CK73GXR1H221K | C CAPACITOR | 220pF 50V K   | 1   |             |
|      | C61        | CK73GXR1H221K | C CAPACITOR | 220pF 50V K   | 1   |             |
|      | C62        | CK73GXR1H221K | C CAPACITOR | 220pF 50V K   | 1   |             |
|      | C63        | CK73GXR1H221K | C CAPACITOR | 220pF 50V K   | 1   |             |
|      | C68        | CK73GXR1H221K | C CAPACITOR | 220pF 50V K   | 1   |             |
|      | C69        | CK73GXR1H221K | C CAPACITOR | 220pF 50V K   | 1   |             |
|      | C70        | CK73GXR1H221K | C CAPACITOR | 220pF 50V K   | 1   |             |
|      | C71        | CK73GXR1H221K | C CAPACITOR | 220pF 50V K   | 1   |             |
|      | C72        | CD04EU1C222M1 | E CAPACITOR | 2200uF 16V M  | 1   |             |
|      | C80        | CK73HXR1H472K | C CAPACITOR | 4700pF 50V K  | 1   |             |
|      | C81        | CK73HXR1H471K | C CAPACITOR | 470pF 50V K   | 1   |             |
|      | C82        | CK73HXR1C103K | C CAPACITOR | 0.01uF 16V K  | 1   |             |
|      | C83        | CK73FXR0J106K | C CAPACITOR | 10uF 6.3V K   | 1   |             |
|      | C100       | CK73GXR1C105K | C CAPACITOR | 1uF 16V K     | 1   | E1,X1,E2    |
|      | C102       | CK73GXR0J106K | C CAPACITOR | 10uF 6.3V K   | 1   | E1,X1,E2    |
|      | C104       | CK73GXR1C105K | C CAPACITOR | 1uF 16V K     | 1   | E1,X1,E2    |
|      | C105       | CK73HXR1H102K | C CAPACITOR | 1000pF 50V K  | 1   | E1,X1,E2    |
|      | C106       | CK73HXR1H102K | C CAPACITOR | 1000pF 50V K  | 1   | E1,X1,E2    |
|      | C130       | CK73GXR1C105K | C CAPACITOR | 1uF 16V K     | 1   | X1          |
|      | C131       | CK73GXR1C104K | C CAPACITOR | 0.1uF 10V K   | 1   |             |
|      | C132       | CK73GXR1C105K | C CAPACITOR | 1uF 16V K     | 1   |             |
|      | C133       | CK73GXR1C105K | C CAPACITOR | 1uF 16V K     | 1   |             |
|      | C134       | CK73HXR1A104K | C CAPACITOR | 0.1uF 10V K   | 1   |             |
|      | C135       | CD04AR1A471M2 | E CAPACITOR | 470uF 10V M   | 1   |             |
|      | C136       | CK73GXR1C104K | C CAPACITOR | 0.1uF 10V K   | 1   |             |
|      | C137       | CK73GXR1C105K | C CAPACITOR | 1uF 16V K     | 1   |             |
|      | C138       | CK73HXR1A104K | C CAPACITOR | 0.1uF 10V K   | 1   |             |
|      | C139       | CK73GXR1C105K | C CAPACITOR | 1uF 16V K     | 1   |             |
|      | C160       | CK73FXR1C106K | C CAPACITOR | 10uF 16V K    | 1   |             |
|      | C161       | CK73FXR1C106K | C CAPACITOR | 10uF 16V K    | 1   |             |
|      | C162       | CE32BJ1V4R7M  | E CAPACITOR | 4.7uF 35V M   | 1   |             |
|      | C163       | CE32BJ1V4R7M  | E CAPACITOR | 4.7uF 35V M   | 1   |             |
|      | C164       | CE32BJ1V4R7M  | E CAPACITOR | 4.7uF 35V M   | 1   |             |
|      | C165       | CE32BJ1V4R7M  | E CAPACITOR | 4.7uF 35V M   | 1   |             |
|      | C166       | CE32BJ1V4R7M  | E CAPACITOR | 4.7uF 35V M   | 1   |             |
|      | C167       | CE32BJ1V4R7M  | E CAPACITOR | 4.7uF 35V M   | 1   |             |
|      | C168       | CK73FXR1C475K | C CAPACITOR | 4.7uF 16V K   | 1   |             |
|      | C169       | CK73FXR1C475K | C CAPACITOR | 4.7uF 16V K   | 1   |             |
|      | C170       | CE32BY1C470M  | E CAPACITOR | 47uF 16V M    | 1   |             |
|      | C171       | CE32CL1C100M  | E CAPACITOR | 10uF 16V M    | 1   |             |
|      | C172       | CE32CL1E330M  | E CAPACITOR | 33uF 25V M    | 1   | K0,E1,X1,E2 |
|      | C172       | CE32BM1E470M  | E CAPACITOR | 47uF 25V M    | 1   | K1          |
|      | C173       | CK73HXR1H152K | C CAPACITOR | 1500pF 50V K  | 1   |             |
|      | C174       | CK73HXR1H152K | C CAPACITOR | 1500pF 50V K  | 1   |             |
|      | C175       | CK73HXR1H152K | C CAPACITOR | 1500pF 50V K  | 1   |             |
|      | C176       | CK73HXR1H152K | C CAPACITOR | 1500pF 50V K  | 1   |             |
|      | C177       | CK73HXR1H152K | C CAPACITOR | 1500pF 50V K  | 1   |             |
|      | C178       | CK73HXR1H152K | C CAPACITOR | 1500pF 50V K  | 1   |             |
|      | C185       | CC73HCH1H101J | C CAPACITOR | 100pF 50V J   | 1   | K0,E1,X1,E2 |
|      | C186       | CK73GXR1C104K | C CAPACITOR | 0.1uF 10V K   | 1   | K0,E1,X1,E2 |
|      | C187       | CK73HXR1H103K | C CAPACITOR | 0.01uF 50V K  | 1   | K0,E1,X1,E2 |
|      | C188       | CK73HXR1A105K | C CAPACITOR | 1uF 10V K     | 1   | K0,E1,X1,E2 |
|      | C190       | CK73FXR1E105K | C CAPACITOR | 1uF 25V K     | 1   | K1          |
|      | C191       | CK73GXR1C105K | C CAPACITOR | 1uF 16V K     | 1   | K1          |
|      | C192       | CK73GXR1C105K | C CAPACITOR | 1uF 16V K     | 1   | K1          |
|      | C220       | CK73GXR1A105K | C CAPACITOR | 1uF 10V K     | 1   |             |
|      | C223       | CK73HXR1A273K | C CAPACITOR | 0.027uF 10V K | 1   |             |
|      | C224       | CK73HXR1A273K | C CAPACITOR | 0.027uF 10V K | 1   |             |
|      | C225       | CK73GXR1C105K | C CAPACITOR | 1uF 16V K     | 1   |             |
|      | C226       | CK73GXR1C105K | C CAPACITOR | 1uF 16V K     | 1   |             |
|      | C227       | CE32BZ1C220M  | E CAPACITOR | 22uF 16V M    | 1   |             |
|      | C228       | CK73HXR1H331K | C CAPACITOR | 330pF 50V K   | 1   |             |
|      | C229       | CC73HCH1H220J | C CAPACITOR | 22pF 50V J    | 1   |             |
|      | C230       | CK73HXR1H331K | C CAPACITOR | 330pF 50V K   | 1   |             |
|      | C231       | CE32BZ1C220M  | E CAPACITOR | 22uF 16V M    | 1   |             |
|      | C232       | CK73GXR1C104K | C CAPACITOR | 0.1uF 10V K   | 1   |             |
|      | C233       | CK73HXR1C333K | C CAPACITOR | 0.033uF 16V K | 1   |             |
|      | C234       | CK73GXR1C105K | C CAPACITOR | 1uF 16V K     | 1   |             |
|      | C235       | CK73HXR1C333K | C CAPACITOR | 0.033uF 16V K | 1   |             |
|      | C236       | CK73GXR1C105K | C CAPACITOR | 1uF 16V K     | 1   |             |
|      | C241       | CK73HXR1C103K | C CAPACITOR | 0.01uF 16V K  | 1   |             |
|      | C242       | CK73GXR1C105K | C CAPACITOR | 1uF 16V K     | 1   |             |
|      | C243       | CK73GXR1H103K | C CAPACITOR | 0.01uF 50V K  | 1   |             |
|      | C244       | CK73GXR1C104K | C CAPACITOR | 0.1uF 10V K   | 1   |             |
|      | C245       | CC73HCH1H101J | C CAPACITOR | 100pF 50V J   | 1   |             |
|      | C247       | CK73HXR1A105K | C CAPACITOR | 1uF 10V K     | 1   |             |
|      | C250       | CK73EXR1C475K | C CAPACITOR | 4.7uF 16V K   | 1   |             |
|      | C251       | CK73EXR1C475K | C CAPACITOR | 4.7uF 16V K   | 1   |             |
|      | C270       | CK73GXR1H104K | C CAPACITOR | 0.1uF 50V K   | 1   |             |
|      | C300       | CK73GXR1C105K | C CAPACITOR | 1uF 16V K     | 1   |             |
|      | C301       | CE32CL1E330M  | E CAPACITOR | 33uF 25V M    | 1   |             |
|      | C302       | CK730AV1C224K | C CAPACITOR | 0.22uF 16V K  | 1   |             |
|      | C303       | CK730AV1C224K | C CAPACITOR | 0.22uF 16V K  | 1   |             |
|      | C304       | CK730AV1C224K | C CAPACITOR | 0.22uF 16V K  | 1   |             |
|      | C305       | CK730AV1C224K | C CAPACITOR | 0.22uF 16V K  | 1   |             |
|      | C306       | CK730AV1C105K | C CAPACITOR | 1uF 16V K     | 1   |             |

|            |      |        |      |           |      |           |      |
|------------|------|--------|------|-----------|------|-----------|------|
| MODEL      | MARK | MODEL  | MARK | MODEL     | MARK | MODEL     | MARK |
| DDX375BT   | K0   | DDX395 | K1   | DDX4018BT | E1   | DDX4018BT | X1   |
| DDX4018DAB | E2   |        |      |           |      |           |      |

| Safe | Symbol No. | Parts No.     | Parts Name  | Description   | QTY | Local       |
|------|------------|---------------|-------------|---------------|-----|-------------|
|      | C308       | CK73GXR1C105K | C CAPACITOR | 1uF 16V K     | 1   |             |
|      | C320       | CK73EXR1C475K | C CAPACITOR | 4.7uF 16V K   | 1   |             |
|      | C330       | CK73EXR1C475K | C CAPACITOR | 4.7uF 16V K   | 1   |             |
|      | C340       | CK73EXR1C475K | C CAPACITOR | 4.7uF 16V K   | 1   |             |
|      | C350       | CK73EXR1C475K | C CAPACITOR | 4.7uF 16V K   | 1   |             |
|      | C352       | CK73HXR1H332K | C CAPACITOR | 3300pF 50V K  | 1   |             |
|      | C353       | CC73HCH1H101J | C CAPACITOR | 100pF 50V J   | 1   |             |
|      | C360       | CK73HXR0J105K | C CAPACITOR | 1uF 6.3V K    | 1   |             |
|      | C361       | CK73HXR1E103K | C CAPACITOR | 0.01uF 25V K  | 1   |             |
|      | C410       | CK73GXR0J225K | C CAPACITOR | 2.2uF 6.3V K  | 1   |             |
|      | C412       | CK73HXR1E103K | C CAPACITOR | 0.01uF 25V K  | 1   |             |
|      | C430       | CK73HXR1E103K | C CAPACITOR | 0.01uF 25V K  | 1   | E2          |
|      | C431       | CK73HXR0J474K | C CAPACITOR | 0.47uF 6.3V K | 1   | E2          |
|      | C432       | CK73HXR1A104K | C CAPACITOR | 0.1uF 10V K   | 1   | E2          |
|      | C433       | CK73GXR1C105K | C CAPACITOR | 1uF 16V K     | 1   | E2          |
|      | C470       | CK73GXR1A105K | C CAPACITOR | 1uF 10V K     | 1   | E1,X1,E2    |
|      | C471       | CK73HXR0J105K | C CAPACITOR | 1uF 6.3V K    | 1   | E1,X1,E2    |
|      | C472       | CK73GXR0J106K | C CAPACITOR | 10uF 6.3V K   | 1   |             |
|      | C473       | CK73HXR1A104K | C CAPACITOR | 0.1uF 10V K   | 1   | E1,X1,E2    |
|      | C474       | CK73GXR1A105K | C CAPACITOR | 1uF 10V K     | 1   | E1,X1,E2    |
|      | C475       | CK73HXR0J105K | C CAPACITOR | 1uF 6.3V K    | 1   | E1,X1,E2    |
|      | C476       | CK73GXR1A105K | C CAPACITOR | 1uF 10V K     | 1   | E1,X1,E2    |
|      | C477       | CK73HXR0J105K | C CAPACITOR | 1uF 6.3V K    | 1   | E1,X1,E2    |
|      | C480       | CK73GXR1H223K | C CAPACITOR | 0.022uF 50V K | 1   |             |
|      | C485       | CK73HXR1E103K | C CAPACITOR | 0.01uF 25V K  | 1   |             |
|      | C486       | CK73HXR1A104K | C CAPACITOR | 0.1uF 10V K   | 1   |             |
|      | C487       | CK73GXR0J106K | C CAPACITOR | 10uF 6.3V K   | 1   |             |
|      | C489       | CK73HXR1E103K | C CAPACITOR | 0.01uF 25V K  | 1   |             |
|      | C490       | CK73HXR1A104K | C CAPACITOR | 0.1uF 10V K   | 1   |             |
|      | C491       | CK73GXR0J106K | C CAPACITOR | 10uF 6.3V K   | 1   |             |
|      | C492       | CE32BY1C101M  | E CAPACITOR | 100uF 16V M   | 1   |             |
|      | C493       | CK73HXR1E103K | C CAPACITOR | 0.01uF 25V K  | 1   |             |
|      | C494       | CK73HXR1A104K | C CAPACITOR | 0.1uF 10V K   | 1   |             |
|      | C495       | CK73FXR1C106K | C CAPACITOR | 10uF 16V K    | 1   |             |
|      | C500       | CK73EXR1E106K | C CAPACITOR | 10uF 25V K    | 1   |             |
|      | C501       | CK73GXR1H104K | C CAPACITOR | 0.1uF 50V K   | 1   |             |
|      | C503       | CK73HXR0J224K | C CAPACITOR | 0.22uF 6.3V K | 1   |             |
|      | C504       | CK73HXR1C104K | C CAPACITOR | 0.1uF 16V K   | 1   |             |
|      | C505       | CC73HCH1H120J | C CAPACITOR | 12pF 50V J    | 1   |             |
|      | C506       | CK73HXR1H102K | C CAPACITOR | 1000pF 50V K  | 1   |             |
|      | C507       | CK73FXR1C106K | C CAPACITOR | 10uF 16V K    | 1   |             |
|      | C508       | CE32CC1C221M  | E CAPACITOR | 220uF 16V M   | 1   |             |
|      | C509       | CK73FXR1C106K | C CAPACITOR | 10uF 16V K    | 1   |             |
|      | C510       | CK73FXR1C106K | C CAPACITOR | 10uF 16V K    | 1   |             |
|      | C511       | CK73GXR1H104K | C CAPACITOR | 0.1uF 50V K   | 1   |             |
|      | C512       | CK73FXR1C106K | C CAPACITOR | 10uF 16V K    | 1   |             |
|      | C513       | CK73FXR1C106K | C CAPACITOR | 10uF 16V K    | 1   |             |
|      | C514       | CK73GXR1H104K | C CAPACITOR | 0.1uF 50V K   | 1   |             |
|      | C515       | CK73EXR1E106K | C CAPACITOR | 10uF 25V K    | 1   |             |
|      | C516       | CK73HXR0J224K | C CAPACITOR | 0.22uF 6.3V K | 1   |             |
|      | C540       | CK73EXR1E106K | C CAPACITOR | 10uF 25V K    | 1   |             |
|      | C541       | CK73GXR1H104K | C CAPACITOR | 0.1uF 50V K   | 1   |             |
|      | C543       | CK73HXR0J224K | C CAPACITOR | 0.22uF 6.3V K | 1   |             |
|      | C544       | CK73HXR1C104K | C CAPACITOR | 0.1uF 16V K   | 1   |             |
|      | C545       | CC73HCH1H150J | C CAPACITOR | 15pF 50V J    | 1   |             |
|      | C546       | CK73HXR1H102K | C CAPACITOR | 1000pF 50V K  | 1   |             |
|      | C547       | CK73FXR1C106K | C CAPACITOR | 10uF 16V K    | 1   |             |
|      | C548       | CE32CC1C221M  | E CAPACITOR | 220uF 16V M   | 1   |             |
|      | C549       | CK73HXR0J224K | C CAPACITOR | 0.22uF 6.3V K | 1   |             |
|      | C580       | CK73EXR1E106K | C CAPACITOR | 10uF 25V K    | 1   |             |
|      | C581       | CK73EXR1E106K | C CAPACITOR | 10uF 25V K    | 1   |             |
|      | C582       | CK73HXR1H391K | C CAPACITOR | 390pF 50V K   | 1   |             |
|      | C583       | CK73HXR1C104K | C CAPACITOR | 0.1uF 16V K   | 1   |             |
|      | C584       | CK73HXR1H102K | C CAPACITOR | 1000pF 50V K  | 1   |             |
|      | C585       | CK73HXR1H821K | C CAPACITOR | 820pF 50V K   | 1   |             |
|      | C586       | CK73GXR1C105K | C CAPACITOR | 1uF 16V K     | 1   |             |
|      | C587       | CK73GXR1H104K | C CAPACITOR | 0.1uF 50V K   | 1   |             |
|      | C588       | CK73EXR1E106K | C CAPACITOR | 10uF 25V K    | 1   |             |
|      | C589       | CK73EXR1E106K | C CAPACITOR | 10uF 25V K    | 1   |             |
|      | C590       | CE32BY1E101M  | E CAPACITOR | 100uF 25V M   | 1   |             |
|      | C600       | CK73GXR1H103K | C CAPACITOR | 0.01uF 50V K  | 1   |             |
|      | C601       | CK73GXR1H104K | C CAPACITOR | 0.1uF 50V K   | 1   |             |
|      | C602       | CK73GXR0J106K | C CAPACITOR | 10uF 6.3V K   | 1   |             |
|      | C603       | CK73GXR1H103K | C CAPACITOR | 0.01uF 50V K  | 1   |             |
|      | C604       | CK73GXR1H104K | C CAPACITOR | 0.1uF 50V K   | 1   |             |
|      | C605       | CK73GXR0J106K | C CAPACITOR | 10uF 6.3V K   | 1   |             |
|      | C606       | CK73HXR1H222K | C CAPACITOR | 2200pF 50V K  | 1   | K0,K1,E1,X1 |
|      | C607       | CK73GXR1H102K | C CAPACITOR | 1000pF 50V K  | 1   | K0,K1,E1,X1 |
|      | C608       | CC73GCH1H390J | C CAPACITOR | 39pF 50V J    | 1   | K0,K1,E1,X1 |
|      | C609       | CC73GCH1H270J | C CAPACITOR | 27pF 50V J    | 1   | K0,K1,E1,X1 |
| △    | C613       | CC73GCH1H010C | C CAPACITOR | 1pF 50V C     | 1   | K0,K1,E1,X1 |
|      | C614       | CC73GCH1H050C | C CAPACITOR | 5pF 50V C     | 1   | K0,K1,E1,X1 |
|      | C615       | CK73GXR1C104K | C CAPACITOR | 0.1uF 10V K   | 1   | K0,K1,E1,X1 |
|      | C616       | CK73GXR1H103K | C CAPACITOR | 0.01uF 50V K  | 1   | K0,K1,E1,X1 |
|      | C617       | CK73FXR1C106K | C CAPACITOR | 10uF 16V K    | 1   | K0,K1,E1,X1 |
|      | C618       | CK73GXR1C104K | C CAPACITOR | 0.1uF 10V K   | 1   | K0,K1,E1,X1 |
|      | C622       | CK73HXR1H682K | C CAPACITOR | 6800pF 50V K  | 1   | K0,K1,E1,X1 |
|      | C623       | CK73HXR1H682K | C CAPACITOR | 6800pF 50V K  | 1   | K0,K1,E1,X1 |
|      | C624       | CK73GXR1A105K | C CAPACITOR | 1uF 10V K     | 1   | K0,K1,E1,X1 |
|      | C625       | CK73GXR1A105K | C CAPACITOR | 1uF 10V K     | 1   | K0,K1,E1,X1 |
|      | C626       | CK73FXR1C106K | C CAPACITOR | 10uF 16V K    | 1   | K0,K1,E1,X1 |
|      | C627       | CK73HXR0J105K | C CAPACITOR | 1uF 6.3V K    | 1   | K0,K1,E1,X1 |

|            |      |        |      |           |      |           |      |
|------------|------|--------|------|-----------|------|-----------|------|
| MODEL      | MARK | MODEL  | MARK | MODEL     | MARK | MODEL     | MARK |
| DDX375BT   | K0   | DDX395 | K1   | DDX4018BT | E1   | DDX4018BT | X1   |
| DDX4018DAB | E2   |        |      |           |      |           |      |

| Safe | Symbol No. | Parts No.     | Parts Name  | Description   | QTY | Local       |
|------|------------|---------------|-------------|---------------|-----|-------------|
|      | C628       | CC73GCH1H101J | C CAPACITOR | 100pF 50V J   | 1   | K0,K1,E1,X1 |
|      | C629       | CC73GCH1H101J | C CAPACITOR | 100pF 50V J   | 1   | K0,K1,E1,X1 |
|      | C633       | CC73HCH1H010C | C CAPACITOR | 1pF 50V C     | 1   | K0,K1,E1,X1 |
|      | C634       | CC73HCH1H010C | C CAPACITOR | 1pF 50V C     | 1   | K0,K1,E1,X1 |
|      | C635       | CC73HCH1H101J | C CAPACITOR | 100pF 50V J   | 1   | K0,K1,E1,X1 |
|      | C636       | CK73HXR1H222K | C CAPACITOR | 2200pF 50V K  | 1   | K0,K1,E1,X1 |
|      | C637       | CK73GXR1H222K | C CAPACITOR | 2200pF 50V K  | 1   | K0,K1,E1,X1 |
|      | C638       | CK73HXR1H222K | C CAPACITOR | 2200pF 50V K  | 1   | K0,K1,E1,X1 |
|      | C639       | CK73FXR1C106K | C CAPACITOR | 10uF 16V K    | 1   | K0,K1,E1,X1 |
|      | C640       | CK73GXR1H104K | C CAPACITOR | 0.1uF 50V K   | 1   | K0,K1,E1,X1 |
|      | C641       | CK73GXR1H104K | C CAPACITOR | 0.1uF 50V K   | 1   | K0,K1,E1,X1 |
| △    | C642       | CC73GCH1H010C | C CAPACITOR | 1pF 50V C     | 1   | K0,K1,E1,X1 |
| △    | C643       | CC73GCH1H010C | C CAPACITOR | 1pF 50V C     | 1   | K0,K1,E1,X1 |
| △    | C644       | CC73GCH1H010C | C CAPACITOR | 1pF 50V C     | 1   | K0,K1,E1,X1 |
| △    | C645       | CC73GCH1H010C | C CAPACITOR | 1pF 50V C     | 1   | K0,K1,E1,X1 |
|      | C647       | CC73GCH1H0R5C | C CAPACITOR | 0.5pF 50V C   | 1   | E2          |
|      | C648       | CC73HCH1H010C | C CAPACITOR | 1pF 50V C     | 1   | K0,K1,E1,X1 |
|      | C649       | CC73GCH1H0R5C | C CAPACITOR | 0.5pF 50V C   | 1   | K0,K1,E1,X1 |
|      | C650       | CC73HCH1H010C | C CAPACITOR | 1pF 50V C     | 1   | K0,K1,E1,X1 |
| △    | C651       | CC73GCH1H010C | C CAPACITOR | 1pF 50V C     | 1   | K0,K1,E1,X1 |
| △    | C652       | CC73GCH1H010C | C CAPACITOR | 1pF 50V C     | 1   | E2          |
| △    | C653       | CC73GCH1H010C | C CAPACITOR | 1pF 50V C     | 1   | E2          |
| △    | C654       | CC73GCH1H010C | C CAPACITOR | 1pF 50V C     | 1   | E2          |
| △    | C655       | CC73GCH1H010C | C CAPACITOR | 1pF 50V C     | 1   | E2          |
| △    | C656       | CC73GCH1H010C | C CAPACITOR | 1pF 50V C     | 1   | E2          |
|      | C657       | CC73HCH1H010C | C CAPACITOR | 1pF 50V C     | 1   | K0,K1,E1,X1 |
|      | C720       | CK73GXR0J106K | C CAPACITOR | 10uF 6.3V K   | 1   |             |
|      | C721       | CK73HXR1H222K | C CAPACITOR | 2200pF 50V K  | 1   |             |
|      | C727       | CK73HXR1E103K | C CAPACITOR | 0.01uF 25V K  | 1   |             |
|      | C728       | CK73HXR1E103K | C CAPACITOR | 0.01uF 25V K  | 1   |             |
|      | C729       | CK73HXR1E103K | C CAPACITOR | 0.01uF 25V K  | 1   |             |
|      | C730       | CK73HXR1E103K | C CAPACITOR | 0.01uF 25V K  | 1   |             |
|      | C731       | CK73HXR1E103K | C CAPACITOR | 0.01uF 25V K  | 1   |             |
|      | C732       | CK73HXR0J105K | C CAPACITOR | 1uF 6.3V K    | 1   |             |
|      | C733       | CK73HXR0J105K | C CAPACITOR | 1uF 6.3V K    | 1   |             |
|      | C734       | CK73GXR1H103K | C CAPACITOR | 0.01uF 50V K  | 1   |             |
|      | C737       | CK73GXR1H104K | C CAPACITOR | 0.1uF 50V K   | 1   |             |
|      | C738       | CK73GXR1H104K | C CAPACITOR | 0.1uF 50V K   | 1   |             |
|      | C739       | CK73HXR1A104K | C CAPACITOR | 0.1uF 10V K   | 1   |             |
|      | C740       | CC73GCH1H180J | C CAPACITOR | 18pF 50V J    | 1   |             |
|      | C741       | CC73GCH1H180J | C CAPACITOR | 18pF 50V J    | 1   |             |
|      | C742       | CC73HCH1H100D | C CAPACITOR | 10pF 50V D    | 1   |             |
|      | C743       | CC73HCH1H120J | C CAPACITOR | 12pF 50V J    | 1   |             |
|      | C820       | CK73HXR1E103K | C CAPACITOR | 0.01uF 25V K  | 1   |             |
|      | C831       | CK73HXR1E103K | C CAPACITOR | 0.01uF 25V K  | 1   |             |
|      | C832       | CK73HXR0J105K | C CAPACITOR | 1uF 6.3V K    | 1   |             |
|      | C833       | CK73HXR1E103K | C CAPACITOR | 0.01uF 25V K  | 1   |             |
|      | C840       | CK73HXR1C104K | C CAPACITOR | 0.1uF 16V K   | 1   |             |
|      | C841       | CK73HXR1C104K | C CAPACITOR | 0.1uF 16V K   | 1   |             |
|      | C842       | CK73HXR1C104K | C CAPACITOR | 0.1uF 16V K   | 1   | K0,K1       |
|      | C843       | CK73HXR1C104K | C CAPACITOR | 0.1uF 16V K   | 1   | K0,K1       |
|      | C860       | CK73EXR1E106K | C CAPACITOR | 10uF 25V K    | 1   |             |
|      | C861       | CK73GXR1H104K | C CAPACITOR | 0.1uF 50V K   | 1   |             |
|      | C863       | CK73HXR0J224K | C CAPACITOR | 0.22uF 6.3V K | 1   |             |
|      | C864       | CK73HXR1C104K | C CAPACITOR | 0.1uF 16V K   | 1   |             |
|      | C865       | CC73HCH1H101J | C CAPACITOR | 100pF 50V J   | 1   |             |
|      | C866       | CK73HXR1H102K | C CAPACITOR | 1000pF 50V K  | 1   |             |
|      | C867       | CK73GXR0J106K | C CAPACITOR | 10uF 6.3V K   | 1   |             |
|      | C868       | CE32CC0J331M  | E CAPACITOR | 330uF 6.3V M  | 1   |             |
|      | C872       | CK73EXR1E106K | C CAPACITOR | 10uF 25V K    | 1   |             |
|      | C873       | CK73EXR1E106K | C CAPACITOR | 10uF 25V K    | 1   |             |
|      | C874       | CK73EXR1E106K | C CAPACITOR | 10uF 25V K    | 1   |             |
|      | C875       | CK73HXR0J224K | C CAPACITOR | 0.22uF 6.3V K | 1   |             |
|      | C890       | CK73HXR1A104K | C CAPACITOR | 0.1uF 10V K   | 1   |             |
|      | C891       | CK73HXR1A104K | C CAPACITOR | 0.1uF 10V K   | 1   |             |
|      | C900       | CK73FXR1H224K | C CAPACITOR | 0.22uF 50V K  | 1   |             |
|      | C901       | CD04AR1C471M2 | E CAPACITOR | 470uF 16V M   | 1   |             |
|      | C902       | CK73FXR1H224K | C CAPACITOR | 0.22uF 50V K  | 1   |             |
|      | C903       | CE32BY1E101M  | E CAPACITOR | 100uF 25V M   | 1   |             |
|      | C904       | CK73GXR0J106K | C CAPACITOR | 10uF 6.3V K   | 1   |             |
|      | C905       | CK73EXR1A476K | C CAPACITOR | 47uF 10V K    | 1   |             |
|      | C906       | CK73FXR0J226M | C CAPACITOR | 22uF 6.3V M   | 1   |             |
|      | C907       | CE32BZ0J331M  | E CAPACITOR | 330uF 6.3V M  | 1   |             |
|      | C908       | CK73FXR1C106K | C CAPACITOR | 10uF 16V K    | 1   |             |
|      | C909       | CK73FXR0J226M | C CAPACITOR | 22uF 6.3V M   | 1   |             |
|      | C910       | CK73FXR1C106K | C CAPACITOR | 10uF 16V K    | 1   |             |
|      | C911       | CK73EXR1E106K | C CAPACITOR | 10uF 25V K    | 1   |             |
|      | C912       | CK73EXR1E106K | C CAPACITOR | 10uF 25V K    | 1   |             |
|      | C913       | CK73GXR1C105K | C CAPACITOR | 1uF 16V K     | 1   |             |
|      | C914       | CK73GXR1C105K | C CAPACITOR | 1uF 16V K     | 1   |             |
|      | C915       | CK73EXR1E106K | C CAPACITOR | 10uF 25V K    | 1   |             |
|      | C920       | CK73FXR1H334K | C CAPACITOR | 0.33uF 50V K  | 1   |             |
|      | C930       | CC73HCH1H331J | C CAPACITOR | 330pF 50V J   | 1   |             |
|      | C931       | CC73HCH1H331J | C CAPACITOR | 330pF 50V J   | 1   |             |
|      | C932       | CK73HXR1C103K | C CAPACITOR | 0.01uF 16V K  | 1   |             |
|      | C950       | CK73HXR1H103K | C CAPACITOR | 0.01uF 50V K  | 1   |             |
|      | C951       | CK73FXR1H334K | C CAPACITOR | 0.33uF 50V K  | 1   |             |
|      | C1016      | CK73EXR1E106K | C CAPACITOR | 10uF 25V K    | 1   | E1,X1,E2    |
|      | C1017      | CK73EXR1E106K | C CAPACITOR | 10uF 25V K    | 1   | E1,X1,E2    |
|      | C1018      | CK73EXR1E106K | C CAPACITOR | 10uF 25V K    | 1   | E1,X1,E2    |

|            |      |        |      |           |      |           |      |
|------------|------|--------|------|-----------|------|-----------|------|
| MODEL      | MARK | MODEL  | MARK | MODEL     | MARK | MODEL     | MARK |
| DDX375BT   | K0   | DDX395 | K1   | DDX4018BT | E1   | DDX4018BT | X1   |
| DDX4018DAB | E2   |        |      |           |      |           |      |

| Safe | Symbol No. | Parts No.     | Parts Name  | Description   | QTY | Local       |
|------|------------|---------------|-------------|---------------|-----|-------------|
|      | C1019      | CK73EXR1E106K | C CAPACITOR | 10uF 25V K    | 1   | E1,X1,E2    |
|      | C1025      | CC73HCH1H050C | C CAPACITOR | 5pF 50V C     | 1   |             |
|      | C1026      | CC73HCH1H050C | C CAPACITOR | 5pF 50V C     | 1   |             |
|      | C1027      | CC73HCH1H050C | C CAPACITOR | 5pF 50V C     | 1   |             |
|      | C1031      | CK73HXR1H472K | C CAPACITOR | 4700pF 50V K  | 1   |             |
|      | C1032      | CK73HXR1H472K | C CAPACITOR | 4700pF 50V K  | 1   |             |
|      | C1033      | CK73HXR0J105K | C CAPACITOR | 1uF 6.3V K    | 1   |             |
|      | C1034      | CK73HXR0J105K | C CAPACITOR | 1uF 6.3V K    | 1   |             |
|      | C1035      | CK73HXR0J105K | C CAPACITOR | 1uF 6.3V K    | 1   |             |
|      | C1036      | CK73HXR1H472K | C CAPACITOR | 4700pF 50V K  | 1   |             |
|      | C1037      | CK73HXR1A105K | C CAPACITOR | 1uF 10V K     | 1   | K0,K1,E1,X1 |
|      | C1038      | CK73HXR1A105K | C CAPACITOR | 1uF 10V K     | 1   | K0,K1,E1,X1 |
|      | C1043      | CK73GXR1H471K | C CAPACITOR | 470pF 50V K   | 1   |             |
| △    | C1044      | CC73GCH1H010C | C CAPACITOR | 1pF 50V C     | 1   | E2          |
|      | C1045      | CK73GXR1H472K | C CAPACITOR | 4700pF 50V K  | 1   |             |
|      | C1046      | CK73GXR1H104K | C CAPACITOR | 0.1uF 50V K   | 1   |             |
|      | C1047      | CK73GXR1H104K | C CAPACITOR | 0.1uF 50V K   | 1   |             |
|      | C1048      | CK73EXR1E106K | C CAPACITOR | 10uF 25V K    | 1   |             |
|      | C1052      | CK73GXR1H104K | C CAPACITOR | 0.1uF 50V K   | 1   | E2          |
|      | C1055      | CK73FXR1C106K | C CAPACITOR | 10uF 16V K    | 1   |             |
|      | C1058      | CK73GXR1H104K | C CAPACITOR | 0.1uF 50V K   | 1   |             |
|      | C1060      | CK73GXR1H104K | C CAPACITOR | 0.1uF 50V K   | 1   | K0,K1,E1,X1 |
|      | C1061      | CK73GXR1H104K | C CAPACITOR | 0.1uF 50V K   | 1   |             |
|      | C1065      | CK73GXR1H472K | C CAPACITOR | 4700pF 50V K  | 1   |             |
|      | C1066      | CK73GXR1H104K | C CAPACITOR | 0.1uF 50V K   | 1   |             |
|      | C1067      | CC73GCH1H221J | C CAPACITOR | 220pF 50V J   | 1   |             |
|      | C1068      | CK73GXR1H223K | C CAPACITOR | 0.022uF 50V K | 1   |             |
|      | C1069      | CK73GXR1H223K | C CAPACITOR | 0.022uF 50V K | 1   |             |
|      | C1074      | CK73GXR1H103K | C CAPACITOR | 0.01uF 50V K  | 1   | E1,X1,E2    |
| △    | C1077      | CC73GCH1H010C | C CAPACITOR | 1pF 50V C     | 1   |             |
|      | C1078      | CK73GXR1H104K | C CAPACITOR | 0.1uF 50V K   | 1   |             |
|      | C1080      | CK73GXR1H471K | C CAPACITOR | 470pF 50V K   | 1   |             |
|      | C1081      | CK73GXR1H471K | C CAPACITOR | 470pF 50V K   | 1   |             |
|      | C1082      | CK73GXR1H104K | C CAPACITOR | 0.1uF 50V K   | 1   |             |
| △    | C1083      | CC73GCH1H010C | C CAPACITOR | 1pF 50V C     | 1   | K0,K1,E1,X1 |
| △    | C1084      | CC73GCH1H010C | C CAPACITOR | 1pF 50V C     | 1   | K0,K1,E1,X1 |
|      | C1086      | CK73GXR1H104K | C CAPACITOR | 0.1uF 50V K   | 1   |             |
|      | C1087      | CC73HCH1H0R5C | C CAPACITOR | 0.5pF 50V C   | 1   | K0,K1,E1,X1 |
|      | C1088      | CC73GCH1H0R5C | C CAPACITOR | 0.5pF 50V C   | 1   | K0,K1,E1,X1 |
|      | C1089      | CK73GXR1H105K | C CAPACITOR | 1uF 50V K     | 1   | K0,K1,E1,X1 |
|      | C1090      | CK73GXR1H105K | C CAPACITOR | 1uF 50V K     | 1   | K0,K1,E1,X1 |
|      | C1091      | CK73GXR1C473K | C CAPACITOR | 0.047uF 16V K | 1   |             |
|      | C1092      | CK73GXR1H333K | C CAPACITOR | 0.033uF 50V K | 1   |             |
|      | C1093      | CK73GXR1H333K | C CAPACITOR | 0.033uF 50V K | 1   |             |
|      | C1094      | CC73GCH1H0R5C | C CAPACITOR | 0.5pF 50V C   | 1   | E2          |
| △    | C1095      | CC73GCH1H010C | C CAPACITOR | 1pF 50V C     | 1   |             |
|      | C1096      | CC73GCH1H0R5C | C CAPACITOR | 0.5pF 50V C   | 1   |             |
|      | C1097      | CC73GCH1H0R5C | C CAPACITOR | 0.5pF 50V C   | 1   | E2          |
|      | C1098      | CC73GCH1H0R5C | C CAPACITOR | 0.5pF 50V C   | 1   |             |
|      | C1099      | CC73GCH1H0R5C | C CAPACITOR | 0.5pF 50V C   | 1   |             |
|      | C1206      | CK73GXR1C105K | C CAPACITOR | 1uF 16V K     | 1   |             |
|      | R80        | RK73GB2A222J  | MG RESISTOR | 2.2kΩ 1/10W J | 1   |             |
|      | R100       | RK73HH1J750D  | MG RESISTOR | 75Ω 1/16W D   | 1   | E1,X1,E2    |
|      | R101       | RK73HB1J332J  | MG RESISTOR | 3.3kΩ 1/16W J | 1   | E1,X1,E2    |
|      | R102       | RK73HB1J223J  | MG RESISTOR | 22kΩ 1/16W J  | 1   | E1,X1,E2    |
|      | R103       | RK73HB1J302J  | MG RESISTOR | 3kΩ 1/16W J   | 1   | E1,X1,E2    |
|      | R105       | RK73HB1J162J  | MG RESISTOR | 1.6kΩ 1/16W J | 1   | E1,X1,E2    |
|      | R106       | RK73HB1J223J  | MG RESISTOR | 22kΩ 1/16W J  | 1   | E1,X1,E2    |
|      | R107       | RK73HB1J302J  | MG RESISTOR | 3kΩ 1/16W J   | 1   | E1,X1,E2    |
|      | R108       | RK73HB1J332J  | MG RESISTOR | 3.3kΩ 1/16W J | 1   | E1,X1,E2    |
|      | R113       | RK73HB1J100J  | MG RESISTOR | 10Ω 1/16W J   | 1   | E1,X1,E2    |
|      | R114       | RK73GB2A000J  | MG RESISTOR | 0Ω 1/10W J    | 1   | E1,X1,E2    |
|      | R115       | RK73HB1J100J  | MG RESISTOR | 10Ω 1/16W J   | 1   | E1,X1,E2    |
|      | R130       | RK73GB2A100J  | MG RESISTOR | 10Ω 1/10W J   | 1   | X1          |
|      | R131       | RK73HH1J750D  | MG RESISTOR | 75Ω 1/16W D   | 1   | X1          |
|      | R132       | RK73HB1J105J  | MG RESISTOR | 1MΩ 1/16W J   | 1   |             |
|      | R134       | RK73GB2A100J  | MG RESISTOR | 10Ω 1/10W J   | 1   |             |
|      | R135       | RK73HH1J750D  | MG RESISTOR | 75Ω 1/16W D   | 1   |             |
|      | R136       | RK73GH2A750D  | MG RESISTOR | 75Ω 1/10W D   | 1   |             |
|      | R137       | RK73GB2A105J  | MG RESISTOR | 1MΩ 1/10W J   | 1   | K0,K1,E1,E2 |
|      | R160       | RK73GB2A000J  | MG RESISTOR | 0Ω 1/10W J    | 1   |             |
|      | R161       | RK73GB2A000J  | MG RESISTOR | 0Ω 1/10W J    | 1   |             |
|      | R162       | RK73HB1J000J  | MG RESISTOR | 0Ω 1/16W J    | 1   | K0,E1,X1,E2 |
|      | R163       | RK73HB1J000J  | MG RESISTOR | 0Ω 1/16W J    | 1   |             |
|      | R164       | RK73GB2A101J  | MG RESISTOR | 100Ω 1/10W J  | 1   |             |
|      | R165       | RK73GB2A101J  | MG RESISTOR | 100Ω 1/10W J  | 1   |             |
|      | R166       | RK73GB2A000J  | MG RESISTOR | 0Ω 1/10W J    | 1   | K0,E1,X1,E2 |
|      | R167       | RK73HB1J000J  | MG RESISTOR | 0Ω 1/16W J    | 1   |             |
|      | R168       | RK73HB1J000J  | MG RESISTOR | 0Ω 1/16W J    | 1   |             |
|      | R169       | RK73HB1J000J  | MG RESISTOR | 0Ω 1/16W J    | 1   |             |
|      | R170       | RK73HB1J000J  | MG RESISTOR | 0Ω 1/16W J    | 1   |             |
|      | R171       | RK73HB1J000J  | MG RESISTOR | 0Ω 1/16W J    | 1   |             |
|      | R172       | RK73HB1J000J  | MG RESISTOR | 0Ω 1/16W J    | 1   |             |
|      | R173       | RK73HB1J680J  | MG RESISTOR | 68Ω 1/16W J   | 1   |             |
|      | R174       | RK73HB1J000J  | MG RESISTOR | 0Ω 1/16W J    | 1   |             |
|      | R175       | RK73HB1J680J  | MG RESISTOR | 68Ω 1/16W J   | 1   |             |
|      | R176       | RK73HB1J000J  | MG RESISTOR | 0Ω 1/16W J    | 1   |             |
|      | R177       | RK73HB1J680J  | MG RESISTOR | 68Ω 1/16W J   | 1   |             |
|      | R178       | RK73HB1J000J  | MG RESISTOR | 0Ω 1/16W J    | 1   |             |
|      | R179       | RK73HB1J680J  | MG RESISTOR | 68Ω 1/16W J   | 1   |             |
|      | R180       | RK73HB1J000J  | MG RESISTOR | 0Ω 1/16W J    | 1   |             |
|      | R181       | RK73GB2A000J  | MG RESISTOR | 0Ω 1/10W J    | 1   | K1          |

|            |      |        |      |           |      |           |      |
|------------|------|--------|------|-----------|------|-----------|------|
| MODEL      | MARK | MODEL  | MARK | MODEL     | MARK | MODEL     | MARK |
| DDX375BT   | K0   | DDX395 | K1   | DDX4018BT | E1   | DDX4018BT | X1   |
| DDX4018DAB | E2   |        |      |           |      |           |      |

| Safe | Symbol No. | Parts No.    | Parts Name  | Description   | QTY | Local       |
|------|------------|--------------|-------------|---------------|-----|-------------|
|      | R182       | RK73GB2A000J | MG RESISTOR | 0Ω 1/10W J    | 1   | K1          |
|      | R183       | RK73HB1J331J | MG RESISTOR | 330Ω 1/16W J  | 1   |             |
|      | R184       | RK73HB1J331J | MG RESISTOR | 330Ω 1/16W J  | 1   |             |
|      | R185       | RK73HB1J331J | MG RESISTOR | 330Ω 1/16W J  | 1   |             |
|      | R186       | RK73HB1J331J | MG RESISTOR | 330Ω 1/16W J  | 1   |             |
|      | R187       | RK73HB1J331J | MG RESISTOR | 330Ω 1/16W J  | 1   |             |
|      | R188       | RK73HB1J331J | MG RESISTOR | 330Ω 1/16W J  | 1   |             |
|      | R190       | RK73HH1J622D | MG RESISTOR | 6.2kΩ 1/16W D | 1   | K0,E1,X1,E2 |
|      | R191       | RK73HH1J363D | MG RESISTOR | 36kΩ 1/16W D  | 1   | K0,E1,X1,E2 |
|      | R192       | RK73HB1J103J | MG RESISTOR | 10kΩ 1/16W J  | 1   | K1          |
|      | R193       | RK73HB1J752J | MG RESISTOR | 7.5kΩ 1/16W J | 1   | K1          |
|      | R194       | RK73HH1J153D | MG RESISTOR | 15kΩ 1/16W D  | 1   | K1          |
|      | R195       | RK73HH1J102D | MG RESISTOR | 1kΩ 1/16W D   | 1   | K1          |
|      | R196       | RK73HB1J103J | MG RESISTOR | 10kΩ 1/16W J  | 1   | K1          |
|      | R199       | RK73EB2E823J | MG RESISTOR | 82kΩ 1/4W J   | 1   |             |
|      | R200       | RK73GB2A223J | MG RESISTOR | 22kΩ 1/10W J  | 1   |             |
|      | R201       | RK73GB2A563J | MG RESISTOR | 56kΩ 1/10W J  | 1   |             |
|      | R202       | RK73GB2A000J | MG RESISTOR | 0Ω 1/10W J    | 1   |             |
|      | R210       | RK73HB1J000J | MG RESISTOR | 0Ω 1/16W J    | 1   |             |
|      | R221       | RK73GB2A222J | MG RESISTOR | 2.2kΩ 1/10W J | 1   |             |
|      | R223       | RK73GB2A471J | MG RESISTOR | 470Ω 1/10W J  | 1   |             |
|      | R224       | RK73GB2A681J | MG RESISTOR | 680Ω 1/10W J  | 1   |             |
|      | R225       | RK73GB2A101J | MG RESISTOR | 100Ω 1/10W J  | 1   |             |
|      | R226       | RK73GB2A101J | MG RESISTOR | 100Ω 1/10W J  | 1   |             |
|      | R229       | RK73HB1J222J | MG RESISTOR | 2.2kΩ 1/16W J | 1   |             |
|      | R231       | RK73HB1J124J | MG RESISTOR | 120kΩ 1/16W J | 1   |             |
|      | R232       | RK73HB1J122J | MG RESISTOR | 1.2kΩ 1/16W J | 1   |             |
|      | R233       | RK73HB1J122J | MG RESISTOR | 1.2kΩ 1/16W J | 1   |             |
|      | R234       | RK73HB1J124J | MG RESISTOR | 120kΩ 1/16W J | 1   |             |
|      | R235       | RK73HB1J333J | MG RESISTOR | 33kΩ 1/16W J  | 1   |             |
|      | R236       | RK73HB1J822J | MG RESISTOR | 8.2kΩ 1/16W J | 1   |             |
|      | R237       | RK73HB1J103J | MG RESISTOR | 10kΩ 1/16W J  | 1   |             |
|      | R241       | RK73HB1J103J | MG RESISTOR | 10kΩ 1/16W J  | 1   |             |
|      | R243       | RK73HH1J243D | MG RESISTOR | 24kΩ 1/16W D  | 1   |             |
|      | R244       | RK73HH1J103D | MG RESISTOR | 10kΩ 1/16W D  | 1   |             |
|      | R250       | RK73GB2A101J | MG RESISTOR | 100Ω 1/10W J  | 1   |             |
|      | R251       | RK73HB1J471J | MG RESISTOR | 470Ω 1/16W J  | 1   |             |
|      | R253       | RK73HB1J223J | MG RESISTOR | 22kΩ 1/16W J  | 1   |             |
|      | R254       | RK73HB1J223J | MG RESISTOR | 22kΩ 1/16W J  | 1   |             |
|      | R255       | RK73HB1J471J | MG RESISTOR | 470Ω 1/16W J  | 1   |             |
|      | R256       | RK73HB1J101J | MG RESISTOR | 100Ω 1/16W J  | 1   |             |
|      | R257       | RK73GB2A472J | MG RESISTOR | 4.7kΩ 1/10W J | 1   |             |
|      | R258       | RK73GB2A472J | MG RESISTOR | 4.7kΩ 1/10W J | 1   |             |
|      | R270       | RK73HB1J331J | MG RESISTOR | 330Ω 1/16W J  | 1   |             |
|      | R272       | RK73HB1J683J | MG RESISTOR | 68kΩ 1/16W J  | 1   | E1,E2       |
|      | R273       | RK73HB1J103J | MG RESISTOR | 10kΩ 1/16W J  | 1   | E1,E2       |
|      | R274       | RK73HB1J123J | MG RESISTOR | 12kΩ 1/16W J  | 1   | E1,E2       |
|      | R301       | RK73HB1J333J | MG RESISTOR | 33kΩ 1/16W J  | 1   |             |
|      | R304       | RK73EB2E160J | MG RESISTOR | 16Ω 1/4W J    | 1   |             |
|      | R305       | RK73EB2E1R0J | MG RESISTOR | 1Ω 1/4W J     | 1   |             |
|      | R306       | RK73HB1J432J | MG RESISTOR | 4.3kΩ 1/16W J | 1   |             |
|      | R309       | RK73GB2A223J | MG RESISTOR | 22kΩ 1/10W J  | 1   |             |
|      | R320       | RK73HB1J223J | MG RESISTOR | 22kΩ 1/16W J  | 1   |             |
|      | R321       | RK73GB2A101J | MG RESISTOR | 100Ω 1/10W J  | 1   |             |
|      | R322       | RK73HB1J471J | MG RESISTOR | 470Ω 1/16W J  | 1   |             |
|      | R323       | RK73GB2A472J | MG RESISTOR | 4.7kΩ 1/10W J | 1   |             |
|      | R330       | RK73HB1J471J | MG RESISTOR | 470Ω 1/16W J  | 1   |             |
|      | R331       | RK73HB1J223J | MG RESISTOR | 22kΩ 1/16W J  | 1   |             |
|      | R332       | RK73GB2A101J | MG RESISTOR | 100Ω 1/10W J  | 1   |             |
|      | R333       | RK73GB2A472J | MG RESISTOR | 4.7kΩ 1/10W J | 1   |             |
|      | R340       | RK73HB1J223J | MG RESISTOR | 22kΩ 1/16W J  | 1   |             |
|      | R341       | RK73HB1J471J | MG RESISTOR | 470Ω 1/16W J  | 1   |             |
|      | R342       | RK73GB2A101J | MG RESISTOR | 100Ω 1/10W J  | 1   |             |
|      | R343       | RK73GB2A472J | MG RESISTOR | 4.7kΩ 1/10W J | 1   |             |
|      | R350       | RK73HB1J471J | MG RESISTOR | 470Ω 1/16W J  | 1   |             |
|      | R351       | RK73HB1J223J | MG RESISTOR | 22kΩ 1/16W J  | 1   |             |
|      | R352       | RK73GB2A101J | MG RESISTOR | 100Ω 1/10W J  | 1   |             |
|      | R353       | RK73GB2A472J | MG RESISTOR | 4.7kΩ 1/10W J | 1   |             |
|      | R360       | RK73GB2A223J | MG RESISTOR | 22kΩ 1/10W J  | 1   |             |
|      | R361       | RK73HB1J333J | MG RESISTOR | 33kΩ 1/16W J  | 1   |             |
|      | R362       | RK73GB2A472J | MG RESISTOR | 4.7kΩ 1/10W J | 1   |             |
|      | R363       | RK73HB1J223J | MG RESISTOR | 22kΩ 1/16W J  | 1   |             |
|      | R364       | RK73GB2A472J | MG RESISTOR | 4.7kΩ 1/10W J | 1   |             |
|      | R381       | RK73GB2A000J | MG RESISTOR | 0Ω 1/10W J    | 1   |             |
|      | R382       | RK73FB2B472J | MG RESISTOR | 4.7kΩ 1/8W J  | 1   |             |
|      | R400       | RK73GB2A152J | MG RESISTOR | 1.5kΩ 1/10W J | 1   |             |
|      | R410       | RK73HB1J471J | MG RESISTOR | 470Ω 1/16W J  | 1   |             |
|      | R411       | RK73HB1J473J | MG RESISTOR | 47kΩ 1/16W J  | 1   |             |
|      | R412       | RK73HB1J473J | MG RESISTOR | 47kΩ 1/16W J  | 1   |             |
|      | R413       | RK73HB1J103J | MG RESISTOR | 10kΩ 1/16W J  | 1   |             |
|      | R414       | RK73HB1J223J | MG RESISTOR | 22kΩ 1/16W J  | 1   |             |
|      | R415       | RK73HB1J272J | MG RESISTOR | 2.7kΩ 1/16W J | 1   |             |
|      | R416       | RK73HB1J102J | MG RESISTOR | 1kΩ 1/16W J   | 1   |             |
|      | R430       | RK73HB1J473J | MG RESISTOR | 47kΩ 1/16W J  | 1   | E2          |
|      | R431       | RK73HB1J102J | MG RESISTOR | 1kΩ 1/16W J   | 1   | E2          |
|      | R432       | RK73HB1J103J | MG RESISTOR | 10kΩ 1/16W J  | 1   | E2          |
|      | R433       | RK73HB1J000J | MG RESISTOR | 0Ω 1/16W J    | 1   | E2          |
|      | R434       | RK73HB1J473J | MG RESISTOR | 47kΩ 1/16W J  | 1   | E2          |
|      | R435       | RK73HB1J473J | MG RESISTOR | 47kΩ 1/16W J  | 1   | E2          |
|      | R436       | RK73HB1J473J | MG RESISTOR | 47kΩ 1/16W J  | 1   | E2          |

|            |      |        |      |           |      |           |      |
|------------|------|--------|------|-----------|------|-----------|------|
| MODEL      | MARK | MODEL  | MARK | MODEL     | MARK | MODEL     | MARK |
| DDX375BT   | K0   | DDX395 | K1   | DDX4018BT | E1   | DDX4018BT | X1   |
| DDX4018DAB | E2   |        |      |           |      |           |      |

| Safe | Symbol No. | Parts No.    | Parts Name  | Description   | QTY | Local       |
|------|------------|--------------|-------------|---------------|-----|-------------|
|      | R437       | RK73HB1J102J | MG RESISTOR | 1kΩ 1/16W J   | 1   | E2          |
|      | R438       | RK73HB1J152J | MG RESISTOR | 1.5kΩ 1/16W J | 1   | E2          |
|      | R439       | RK73HB1J473J | MG RESISTOR | 47kΩ 1/16W J  | 1   | E2          |
|      | R440       | RK73HB1J102J | MG RESISTOR | 1kΩ 1/16W J   | 1   | E2          |
|      | R441       | RK73HB1J472J | MG RESISTOR | 4.7kΩ 1/16W J | 1   | E2          |
|      | R442       | RK73HB1J473J | MG RESISTOR | 47kΩ 1/16W J  | 1   | E2          |
|      | R444       | RK73HB1J472J | MG RESISTOR | 4.7kΩ 1/16W J | 1   | E2          |
|      | R445       | RK73GB2A2R2J | MG RESISTOR | 2.2Ω 1/10W J  | 1   | E2          |
|      | R448       | RK73HB1J472J | MG RESISTOR | 4.7kΩ 1/16W J | 1   | E2          |
|      | R450       | RK73HB1J472J | MG RESISTOR | 4.7kΩ 1/16W J | 1   | E2          |
|      | R452       | RK73HB1J472J | MG RESISTOR | 4.7kΩ 1/16W J | 1   | E2          |
|      | R453       | RK73HB1J472J | MG RESISTOR | 4.7kΩ 1/16W J | 1   | E2          |
|      | R454       | RK73HB1J472J | MG RESISTOR | 4.7kΩ 1/16W J | 1   | E2          |
|      | R455       | RK73HB1J472J | MG RESISTOR | 4.7kΩ 1/16W J | 1   | E2          |
|      | R456       | RK73HB1J472J | MG RESISTOR | 4.7kΩ 1/16W J | 1   | E2          |
|      | R470       | RK73GB2A000J | MG RESISTOR | 0Ω 1/10W J    | 1   | K0,K1       |
|      | R471       | RK73GB2A105J | MG RESISTOR | 1MΩ 1/10W J   | 1   | E1,X1,E2    |
|      | R473       | RK73GB2A000J | MG RESISTOR | 0Ω 1/10W J    | 1   | K0,K1       |
|      | R474       | RK73GB2A000J | MG RESISTOR | 0Ω 1/10W J    | 1   | K0,K1       |
|      | R475       | RK73HB1J105J | MG RESISTOR | 1MΩ 1/16W J   | 1   | E1,X1,E2    |
|      | R479       | RK73GB2A000J | MG RESISTOR | 0Ω 1/10W J    | 1   |             |
|      | R480       | RK73GB2A000J | MG RESISTOR | 0Ω 1/10W J    | 1   |             |
|      | R481       | RK73HB1J000J | MG RESISTOR | 0Ω 1/16W J    | 1   |             |
|      | R482       | RK73HB1J000J | MG RESISTOR | 0Ω 1/16W J    | 1   |             |
|      | R483       | RK73HB1J000J | MG RESISTOR | 0Ω 1/16W J    | 1   |             |
|      | R484       | RK73HH1J151D | MG RESISTOR | 150Ω 1/16W D  | 1   |             |
|      | R485       | RK73HH1J151D | MG RESISTOR | 150Ω 1/16W D  | 1   |             |
|      | R486       | RK73HH1J151D | MG RESISTOR | 150Ω 1/16W D  | 1   |             |
|      | R487       | RK73HH1J151D | MG RESISTOR | 150Ω 1/16W D  | 1   |             |
|      | R489       | RK73HB1J000J | MG RESISTOR | 0Ω 1/16W J    | 1   |             |
|      | R490       | RK73HB1J000J | MG RESISTOR | 0Ω 1/16W J    | 1   |             |
|      | R500       | RK73HB1J470J | MG RESISTOR | 47Ω 1/16W J   | 1   |             |
|      | R501       | RK73HH1J302D | MG RESISTOR | 3kΩ 1/16W D   | 1   |             |
|      | R502       | RK73HB1J200J | MG RESISTOR | 20Ω 1/16W J   | 1   |             |
|      | R503       | RK73HH1J562D | MG RESISTOR | 5.6kΩ 1/16W D | 1   |             |
|      | R505       | RK73HH1J513D | MG RESISTOR | 51kΩ 1/16W D  | 1   |             |
|      | R506       | RK73PB2H100J | MG RESISTOR | 10Ω 1/2W J    | 1   |             |
|      | R508       | RK73EB2E000J | MG RESISTOR | 0Ω 1/4W J     | 1   |             |
|      | R510       | RK73GB2A000J | MG RESISTOR | 0Ω 1/10W J    | 1   |             |
|      | R511       | RK73GB2A000J | MG RESISTOR | 0Ω 1/10W J    | 1   |             |
|      | R512       | RK73GH2A133D | MG RESISTOR | 13kΩ 1/10W D  | 1   |             |
|      | R513       | RK73GH2A202D | MG RESISTOR | 2kΩ 1/10W D   | 1   |             |
|      | R514       | RK73GH2A433D | MG RESISTOR | 43kΩ 1/10W D  | 1   |             |
|      | R515       | RK73GH2A822D | MG RESISTOR | 8.2Ω 1/10W D  | 1   |             |
|      | R540       | RK73HB1J103J | MG RESISTOR | 10kΩ 1/16W J  | 1   |             |
|      | R541       | RK73HH1J393D | MG RESISTOR | 39kΩ 1/16W D  | 1   |             |
|      | R542       | RK73HB1J200J | MG RESISTOR | 20Ω 1/16W J   | 1   |             |
|      | R543       | RK73HH1J183D | MG RESISTOR | 18kΩ 1/16W D  | 1   |             |
|      | R544       | RK73HH1J393D | MG RESISTOR | 39kΩ 1/16W D  | 1   |             |
|      | R545       | RK73HH1J683D | MG RESISTOR | 68kΩ 1/16W D  | 1   |             |
|      | R546       | RK73PB2H100J | MG RESISTOR | 10Ω 1/2W J    | 1   |             |
|      | R548       | RK73HB1J332J | MG RESISTOR | 3.3kΩ 1/16W J | 1   |             |
|      | R580       | RK73HH1J393D | MG RESISTOR | 39kΩ 1/16W D  | 1   |             |
|      | R581       | RK73HH1J152D | MG RESISTOR | 1.5kΩ 1/16W D | 1   |             |
|      | R582       | RK73HH1J104D | MG RESISTOR | 100kΩ 1/16W D | 1   |             |
|      | R583       | RK73HH1J103D | MG RESISTOR | 10kΩ 1/16W D  | 1   |             |
|      | R584       | RK73PB2H100J | MG RESISTOR | 10Ω 1/2W J    | 1   |             |
|      | R585       | RK73HH1J394D | MG RESISTOR | 390kΩ 1/16W D | 1   |             |
|      | R586       | RK73HB1J000J | MG RESISTOR | 0Ω 1/16W J    | 1   |             |
|      | R587       | RK73HH1J164D | MG RESISTOR | 160kΩ 1/16W D | 1   |             |
|      | R588       | RK73HB1J000J | MG RESISTOR | 0Ω 1/16W J    | 1   |             |
|      | R589       | RK73HB1J4R7J | MG RESISTOR | 4.7Ω 1/16W J  | 1   |             |
|      | R591       | RK73HH1J563D | MG RESISTOR | 56kΩ 1/16W D  | 1   |             |
|      | R592       | RZ73F0AK62LJ | RESISTOR    | 0.062Ω 1/3W D | 1   |             |
|      | R593       | RK73EB2E560J | MG RESISTOR | 56Ω 1/4W J    | 1   |             |
|      | R594       | RK73HB1J101J | MG RESISTOR | 100Ω 1/16W J  | 1   |             |
|      | R601       | RK73GB2A240J | MG RESISTOR | 24Ω 1/10W J   | 1   | K0,K1,E1,X1 |
|      | R602       | RK73GB2A474J | MG RESISTOR | 470kΩ 1/10W J | 1   | K0,K1,E1,X1 |
|      | R603       | RK73GB2A474J | MG RESISTOR | 470kΩ 1/10W J | 1   | K0,K1,E1,X1 |
|      | R608       | RK73GB2A222J | MG RESISTOR | 2.2kΩ 1/10W J | 1   | K0,K1,E1,X1 |
|      | R609       | RK73GB2A222J | MG RESISTOR | 2.2kΩ 1/10W J | 1   | K0,K1,E1,X1 |
|      | R610       | RK73GB2A103J | MG RESISTOR | 10kΩ 1/10W J  | 1   | K0,K1,E1,X1 |
|      | R611       | RK73GB2A471J | MG RESISTOR | 470Ω 1/10W J  | 1   | K0,K1,E1,X1 |
|      | R613       | RK73GB2A470J | MG RESISTOR | 47Ω 1/10W J   | 1   | K0,K1,E1,X1 |
|      | R614       | RK73GB2A470J | MG RESISTOR | 47Ω 1/10W J   | 1   | K0,K1,E1,X1 |
|      | R615       | RK73HB1J470J | MG RESISTOR | 47Ω 1/16W J   | 1   | K0,K1,E1,X1 |
|      | R617       | RK73GB2A000J | MG RESISTOR | 0Ω 1/10W J    | 1   | K0,K1       |
|      | R617       | RK73GB2A150J | MG RESISTOR | 15Ω 1/10W J   | 1   | E1,X1       |
|      | R618       | RK73GB2A000J | MG RESISTOR | 0Ω 1/10W J    | 1   | K0,K1,E1,X1 |
|      | R619       | RK73GB2A000J | MG RESISTOR | 0Ω 1/10W J    | 1   | K0,K1,E1,X1 |
|      | R620       | RK73GB2A000J | MG RESISTOR | 0Ω 1/10W J    | 1   | K0,K1,E1,X1 |
|      | R621       | RK73GB2A102J | MG RESISTOR | 1kΩ 1/10W J   | 1   | K0,K1,E1,X1 |
|      | R622       | RK73GB2A102J | MG RESISTOR | 1kΩ 1/10W J   | 1   | K0,K1,E1,X1 |
|      | R623       | RK73EB2E000J | MG RESISTOR | 0Ω 1/4W J     | 1   | K0,K1,E1,X1 |
|      | R624       | RK73GB2A000J | MG RESISTOR | 0Ω 1/10W J    | 1   | K0,K1,E1,X1 |
|      | R625       | RK73HB1J000J | MG RESISTOR | 0Ω 1/16W J    | 1   | K0,K1,E1,X1 |
|      | R626       | RK73GB2A000J | MG RESISTOR | 0Ω 1/10W J    | 1   | K0,K1,E1,X1 |
|      | R627       | RK73GB2A000J | MG RESISTOR | 0Ω 1/10W J    | 1   | K0,K1,E1,X1 |
|      | R628       | RK73HB1J223J | MG RESISTOR | 22kΩ 1/16W J  | 1   | K0,K1,E1,X1 |
|      | R631       | RK73GB2A000J | MG RESISTOR | 0Ω 1/10W J    | 1   | K0,K1,E1,X1 |
|      | R632       | RK73HB1J000J | MG RESISTOR | 0Ω 1/16W J    | 1   | K0,K1,E1,X1 |
|      | R634       | RK73HB1J000J | MG RESISTOR | 0Ω 1/16W J    | 1   | K0,K1,E1,X1 |

|            |      |        |      |           |      |           |      |
|------------|------|--------|------|-----------|------|-----------|------|
| MODEL      | MARK | MODEL  | MARK | MODEL     | MARK | MODEL     | MARK |
| DDX375BT   | K0   | DDX395 | K1   | DDX4018BT | E1   | DDX4018BT | X1   |
| DDX4018DAB | E2   |        |      |           |      |           |      |

| Safe | Symbol No. | Parts No.    | Parts Name  | Description   | QTY | Local       |
|------|------------|--------------|-------------|---------------|-----|-------------|
|      | R635       | RK73E0HZ000J | MG RESISTOR |               | 1   | K0,K1,E1,X1 |
|      | R650       | RK73GB2A470J | MG RESISTOR | 47Ω 1/10W J   | 1   |             |
|      | R651       | RK73GB2A470J | MG RESISTOR | 47Ω 1/10W J   | 1   |             |
|      | R652       | RK73GB2A470J | MG RESISTOR | 47Ω 1/10W J   | 1   |             |
|      | R653       | RK73GB2A000J | MG RESISTOR | 0Ω 1/10W J    | 1   | E2          |
|      | R720       | RK73HB1J473J | MG RESISTOR | 47kΩ 1/16W J  | 1   |             |
|      | R721       | RK73HB1J474J | MG RESISTOR | 470kΩ 1/16W J | 1   |             |
|      | R722       | RK73HB1J473J | MG RESISTOR | 47kΩ 1/16W J  | 1   |             |
|      | R723       | RK73HB1J473J | MG RESISTOR | 47kΩ 1/16W J  | 1   |             |
|      | R725       | RK73HB1J123J | MG RESISTOR | 12kΩ 1/16W J  | 1   |             |
|      | R726       | RK73HB1J123J | MG RESISTOR | 12kΩ 1/16W J  | 1   |             |
|      | R728       | RK73HB1J753J | MG RESISTOR | 75kΩ 1/16W J  | 1   |             |
|      | R729       | RK73HB1J753J | MG RESISTOR | 75kΩ 1/16W J  | 1   | E1,X1,E2    |
|      | R730       | RK73HB1J753J | MG RESISTOR | 75kΩ 1/16W J  | 1   | K0,K1       |
|      | R731       | RK73HB1J223J | MG RESISTOR | 22kΩ 1/16W J  | 1   |             |
|      | R732       | RK73HB1J753J | MG RESISTOR | 75kΩ 1/16W J  | 1   |             |
|      | R733       | RK73HB1J753J | MG RESISTOR | 75kΩ 1/16W J  | 1   | E1,X1,E2    |
|      | R734       | RK73HB1J753J | MG RESISTOR | 75kΩ 1/16W J  | 1   | K0,K1       |
|      | R734       | RK73HB1J223J | MG RESISTOR | 22kΩ 1/16W J  | 1   | E1,E2       |
|      | R734       | RK73HB1J154J | MG RESISTOR | 150kΩ 1/16W J | 1   | X1          |
|      | R735       | RK73HB1J473J | MG RESISTOR | 47kΩ 1/16W J  | 1   |             |
|      | R736       | RK73HB1J473J | MG RESISTOR | 47kΩ 1/16W J  | 1   |             |
|      | R738       | RK73HB1J332J | MG RESISTOR | 3.3kΩ 1/16W J | 1   |             |
|      | R739       | RK73HB1J101J | MG RESISTOR | 100Ω 1/16W J  | 1   |             |
|      | R741       | RK73HB1J102J | MG RESISTOR | 1kΩ 1/16W J   | 1   |             |
|      | R742       | RK73HB1J102J | MG RESISTOR | 1kΩ 1/16W J   | 1   |             |
|      | R743       | RK73GB2A753J | MG RESISTOR | 75kΩ 1/10W J  | 1   |             |
|      | R745       | RK73HB1J473J | MG RESISTOR | 47kΩ 1/16W J  | 1   |             |
|      | R746       | RK73HB1J473J | MG RESISTOR | 47kΩ 1/16W J  | 1   |             |
|      | R747       | RK73HB1J473J | MG RESISTOR | 47kΩ 1/16W J  | 1   |             |
|      | R748       | RK73HB1J123J | MG RESISTOR | 12kΩ 1/16W J  | 1   |             |
|      | R749       | RK73HB1J101J | MG RESISTOR | 100Ω 1/16W J  | 1   |             |
|      | R750       | RK73HB1J153J | MG RESISTOR | 15kΩ 1/16W J  | 1   |             |
|      | R751       | RK73HB1J101J | MG RESISTOR | 100Ω 1/16W J  | 1   |             |
|      | R752       | RK73HB1J102J | MG RESISTOR | 1kΩ 1/16W J   | 1   |             |
|      | R753       | RK73HB1J223J | MG RESISTOR | 22kΩ 1/16W J  | 1   |             |
|      | R754       | RK73HB1J124J | MG RESISTOR | 120kΩ 1/16W J | 1   | K0,K1,E1,X1 |
|      | R754       | RK73HB1J753J | MG RESISTOR | 75kΩ 1/16W J  | 1   | E2          |
|      | R755       | RK73HB1J154J | MG RESISTOR | 150kΩ 1/16W J | 1   | K0,K1,E1,X1 |
|      | R756       | RK73HB1J753J | MG RESISTOR | 75kΩ 1/16W J  | 1   |             |
|      | R757       | RK73HB1J103J | MG RESISTOR | 10kΩ 1/16W J  | 1   | K0,K1       |
|      | R758       | RK73GB2A154J | MG RESISTOR | 150kΩ 1/10W J | 1   |             |
|      | R759       | RK73HB1J104J | MG RESISTOR | 100kΩ 1/16W J | 1   |             |
|      | R760       | RK73HB1J101J | MG RESISTOR | 100Ω 1/16W J  | 1   |             |
|      | R761       | RK73HB1J473J | MG RESISTOR | 47kΩ 1/16W J  | 1   |             |
|      | R762       | RK73HB1J101J | MG RESISTOR | 100Ω 1/16W J  | 1   |             |
|      | R763       | RK73HB1J101J | MG RESISTOR | 100Ω 1/16W J  | 1   |             |
|      | R764       | RK73HB1J473J | MG RESISTOR | 47kΩ 1/16W J  | 1   |             |
|      | R765       | RK73HB1J472J | MG RESISTOR | 4.7kΩ 1/16W J | 1   |             |
|      | R766       | RK73HB1J101J | MG RESISTOR | 100Ω 1/16W J  | 1   |             |
|      | R767       | RK73GB2A473J | MG RESISTOR | 47kΩ 1/10W J  | 1   |             |
|      | R768       | RK73HB1J473J | MG RESISTOR | 47kΩ 1/16W J  | 1   |             |
|      | R769       | RK73HB1J101J | MG RESISTOR | 100Ω 1/16W J  | 1   |             |
|      | R770       | RK73HB1J473J | MG RESISTOR | 47kΩ 1/16W J  | 1   |             |
|      | R771       | RK73HB1J101J | MG RESISTOR | 100Ω 1/16W J  | 1   |             |
|      | R772       | RK73HB1J473J | MG RESISTOR | 47kΩ 1/16W J  | 1   |             |
|      | R773       | RK73HB1J101J | MG RESISTOR | 100Ω 1/16W J  | 1   |             |
|      | R774       | RK73HB1J473J | MG RESISTOR | 47kΩ 1/16W J  | 1   | K1          |
|      | R775       | RK73HB1J753J | MG RESISTOR | 75kΩ 1/16W J  | 1   | K0,E1,X1,E2 |
|      | R776       | RK73HB1J680J | MG RESISTOR | 68Ω 1/16W J   | 1   |             |
|      | R779       | RK73HB1J753J | MG RESISTOR | 75kΩ 1/16W J  | 1   |             |
|      | R780       | RK73HB1J101J | MG RESISTOR | 100Ω 1/16W J  | 1   |             |
|      | R781       | RK73HB1J472J | MG RESISTOR | 4.7kΩ 1/16W J | 1   |             |
|      | R784       | RK73HB1J472J | MG RESISTOR | 4.7kΩ 1/16W J | 1   |             |
|      | R787       | RK73HB1J101J | MG RESISTOR | 100Ω 1/16W J  | 1   |             |
|      | R788       | RK73HB1J101J | MG RESISTOR | 100Ω 1/16W J  | 1   |             |
|      | R789       | RK73HB1J473J | MG RESISTOR | 47kΩ 1/16W J  | 1   |             |
|      | R790       | RK73HB1J101J | MG RESISTOR | 100Ω 1/16W J  | 1   |             |
|      | R791       | RK73HB1J101J | MG RESISTOR | 100Ω 1/16W J  | 1   |             |
|      | R792       | RK73GB2A272J | MG RESISTOR | 2.7kΩ 1/10W J | 1   |             |
|      | R793       | RK73GB2A272J | MG RESISTOR | 2.7kΩ 1/10W J | 1   |             |
|      | R794       | RK73HB1J473J | MG RESISTOR | 47kΩ 1/16W J  | 1   |             |
|      | R795       | RK73HB1J101J | MG RESISTOR | 100Ω 1/16W J  | 1   |             |
|      | R799       | RK73HB1J222J | MG RESISTOR | 2.2kΩ 1/16W J | 1   |             |
|      | R800       | RK73HB1J101J | MG RESISTOR | 100Ω 1/16W J  | 1   |             |
|      | R801       | RK73HB1J472J | MG RESISTOR | 4.7kΩ 1/16W J | 1   |             |
|      | R802       | RK73HB1J104J | MG RESISTOR | 100kΩ 1/16W J | 1   |             |
|      | R803       | RK73HB1J473J | MG RESISTOR | 47kΩ 1/16W J  | 1   |             |
|      | R804       | RK73HB1J473J | MG RESISTOR | 47kΩ 1/16W J  | 1   | X1          |
|      | R805       | RK73HB1J753J | MG RESISTOR | 75kΩ 1/16W J  | 1   | K0,K1,E1,E2 |
|      | R806       | RK73HB1J473J | MG RESISTOR | 47kΩ 1/16W J  | 1   | E1,X1,E2    |
|      | R807       | RK73HB1J753J | MG RESISTOR | 75kΩ 1/16W J  | 1   | K0,K1       |
|      | R809       | RK73HB1J106J | MG RESISTOR | 10MΩ 1/16W J  | 1   |             |
|      | R811       | RK73HB1J000J | MG RESISTOR | 0Ω 1/16W J    | 1   |             |
|      | R812       | RK73HB1J101J | MG RESISTOR | 100Ω 1/16W J  | 1   |             |
|      | R814       | RK73HB1J470J | MG RESISTOR | 47Ω 1/16W J   | 1   |             |
|      | R815       | RK73HB1J470J | MG RESISTOR | 47Ω 1/16W J   | 1   |             |
|      | R816       | RK73HB1J470J | MG RESISTOR | 47Ω 1/16W J   | 1   |             |
|      | R817       | RK73HB1J470J | MG RESISTOR | 47Ω 1/16W J   | 1   |             |
|      | R818       | RK73HB1J470J | MG RESISTOR | 47Ω 1/16W J   | 1   |             |

|            |      |        |      |           |      |           |      |
|------------|------|--------|------|-----------|------|-----------|------|
| MODEL      | MARK | MODEL  | MARK | MODEL     | MARK | MODEL     | MARK |
| DDX375BT   | K0   | DDX395 | K1   | DDX4018BT | E1   | DDX4018BT | X1   |
| DDX4018DAB | E2   |        |      |           |      |           |      |

| Safe | Symbol No. | Parts No.    | Parts Name  | Description   | QTY | Local       |
|------|------------|--------------|-------------|---------------|-----|-------------|
|      | R819       | RK73HB1J470J | MG RESISTOR | 47Ω 1/16W J   | 1   |             |
|      | R820       | RK73HB1J101J | MG RESISTOR | 100Ω 1/16W J  | 1   |             |
|      | R821       | RK73HB1J101J | MG RESISTOR | 100Ω 1/16W J  | 1   |             |
|      | R822       | RK73HB1J470J | MG RESISTOR | 47Ω 1/16W J   | 1   |             |
|      | R823       | RK73HB1J470J | MG RESISTOR | 47Ω 1/16W J   | 1   |             |
|      | R830       | RK73HB1J473J | MG RESISTOR | 47kΩ 1/16W J  | 1   |             |
|      | R831       | RK73HB1J223J | MG RESISTOR | 22kΩ 1/16W J  | 1   |             |
|      | R832       | RK73GB2A223J | MG RESISTOR | 22kΩ 1/10W J  | 1   |             |
|      | R840       | RK73HB1J473J | MG RESISTOR | 47kΩ 1/16W J  | 1   |             |
|      | R841       | RK73HB1J272J | MG RESISTOR | 2.7kΩ 1/16W J | 1   |             |
|      | R842       | RK73GB2A272J | MG RESISTOR | 2.7kΩ 1/10W J | 1   | K0,K1       |
|      | R843       | RK73HB1J101J | MG RESISTOR | 100Ω 1/16W J  | 1   | K0,K1       |
|      | R844       | RK73HB1J473J | MG RESISTOR | 47kΩ 1/16W J  | 1   | K0,K1       |
|      | R845       | RK73HB1J272J | MG RESISTOR | 2.7kΩ 1/16W J | 1   | K0,K1       |
|      | R846       | RK73HB1J101J | MG RESISTOR | 100Ω 1/16W J  | 1   | K0,K1       |
|      | R847       | RK73HB1J101J | MG RESISTOR | 100Ω 1/16W J  | 1   | K0,K1       |
|      | R860       | RK73HB1J470J | MG RESISTOR | 47Ω 1/16W J   | 1   |             |
|      | R861       | RK73HH1J513D | MG RESISTOR | 51kΩ 1/16W D  | 1   |             |
|      | R862       | RK73HB1J200J | MG RESISTOR | 20Ω 1/16W J   | 1   |             |
|      | R863       | RK73HH1J163D | MG RESISTOR | 16kΩ 1/16W D  | 1   |             |
|      | R864       | RK73HH1J513D | MG RESISTOR | 51kΩ 1/16W D  | 1   |             |
|      | R865       | RK73PB2H100J | MG RESISTOR | 10Ω 1/2W J    | 1   |             |
|      | R866       | RK73GB2A000J | MG RESISTOR | 0Ω 1/10W J    | 1   |             |
|      | R890       | RK73HH1J123D | MG RESISTOR | 12kΩ 1/16W D  | 1   |             |
|      | R900       | RK73GH2A303D | MG RESISTOR | 30kΩ 1/10W D  | 1   |             |
|      | R901       | RK73GH2A273D | MG RESISTOR | 27kΩ 1/10W D  | 1   | K0,E1,X1,E2 |
|      | R901       | RK73GH2A363D | MG RESISTOR | 36kΩ 1/10W D  | 1   | K1          |
|      | R902       | RK73GH2A103D | MG RESISTOR | 10kΩ 1/10W D  | 1   |             |
|      | R903       | RK73GH2A332D | MG RESISTOR | 3.3kΩ 1/10W D | 1   | K0,E1,X1,E2 |
|      | R903       | RK73GH2A622D | MG RESISTOR | 6.2kΩ 1/10W D | 1   | K1          |
|      | R904       | RK73EB2E100J | MG RESISTOR | 10Ω 1/4W J    | 1   |             |
|      | R921       | RK73EB2E000J | MG RESISTOR | 0Ω 1/4W J     | 1   |             |
|      | R922       | RK73GB2A103J | MG RESISTOR | 10kΩ 1/10W J  | 1   |             |
|      | R923       | RK73GB2A223J | MG RESISTOR | 22kΩ 1/10W J  | 1   |             |
|      | R924       | RK73GB2A471J | MG RESISTOR | 470Ω 1/10W J  | 1   |             |
|      | R930       | RK73HB1J153J | MG RESISTOR | 15kΩ 1/16W J  | 1   |             |
|      | R931       | RK73HB1J104J | MG RESISTOR | 100kΩ 1/16W J | 1   |             |
|      | R932       | RK73HB1J912J | MG RESISTOR | 9.1kΩ 1/16W J | 1   |             |
|      | R933       | RK73HB1J000J | MG RESISTOR | 0Ω 1/16W J    | 1   | E1,X1,E2    |
|      | R934       | RK73HB1J101J | MG RESISTOR | 100Ω 1/16W J  | 1   |             |
|      | R936       | RK73HB1J101J | MG RESISTOR | 100Ω 1/16W J  | 1   |             |
|      | R950       | RK73HH1J224D | MG RESISTOR | 220kΩ 1/16W D | 1   |             |
|      | R951       | RK73GB2A224J | MG RESISTOR | 220kΩ 1/10W J | 1   |             |
|      | R952       | RK73HB1J224J | MG RESISTOR | 220kΩ 1/16W J | 1   |             |
|      | R953       | RK73EB2E153J | MG RESISTOR | 15kΩ 1/4W J   | 1   |             |
|      | R954       | RK73HB1J304J | MG RESISTOR | 300kΩ 1/16W J | 1   |             |
|      | R955       | RK73HB1J304J | MG RESISTOR | 300kΩ 1/16W J | 1   |             |
|      | R956       | RK73EB2E102J | MG RESISTOR | 1kΩ 1/4W J    | 1   |             |
|      | R957       | RK73EB2E102J | MG RESISTOR | 1kΩ 1/4W J    | 1   |             |
|      | R958       | RK73EB2E102J | MG RESISTOR | 1kΩ 1/4W J    | 1   |             |
|      | R959       | RK73HB1J623J | MG RESISTOR | 62kΩ 1/16W J  | 1   |             |
|      | R960       | RK73HB1J101J | MG RESISTOR | 100Ω 1/16W J  | 1   |             |
|      | R970       | RK73HH1J513D | MG RESISTOR | 51kΩ 1/16W D  | 1   |             |
|      | R971       | RK73HH1J104D | MG RESISTOR | 100kΩ 1/16W D | 1   |             |
|      | R972       | RK73GH2A333D | MG RESISTOR | 33kΩ 1/10W D  | 1   |             |
|      | R973       | RK73HH1J304D | MG RESISTOR | 300kΩ 1/16W D | 1   |             |
|      | R974       | RK73GH2A304D | MG RESISTOR | 300kΩ 1/10W D | 1   |             |
|      | R975       | RK73HB1J224J | MG RESISTOR | 220kΩ 1/16W J | 1   |             |
|      | R976       | RK73HB1J000J | MG RESISTOR | 0Ω 1/16W J    | 1   |             |
|      | R977       | RK73HH1J104D | MG RESISTOR | 100kΩ 1/16W D | 1   |             |
|      | R978       | RK73HH1J154D | MG RESISTOR | 150kΩ 1/16W D | 1   |             |
|      | R979       | RK73HB1J224J | MG RESISTOR | 220kΩ 1/16W J | 1   |             |
|      | R980       | RK73GB2A224J | MG RESISTOR | 220kΩ 1/10W J | 1   |             |
|      | R981       | RK73HB1J224J | MG RESISTOR | 220kΩ 1/16W J | 1   |             |
|      | R990       | RK73GB2A104J | MG RESISTOR | 100kΩ 1/10W J | 1   | E1,X1,E2    |
|      | R991       | RK73GB2A104J | MG RESISTOR | 100kΩ 1/10W J | 1   | E1,X1,E2    |
|      | R992       | RK73GH2A472D | MG RESISTOR | 4.7kΩ 1/10W D | 1   | E1,X1,E2    |
|      | R993       | RK73GH2A472D | MG RESISTOR | 4.7kΩ 1/10W D | 1   | E1,X1,E2    |
|      | R994       | RK73EB2E511J | MG RESISTOR | 510Ω 1/4W J   | 1   | E1,X1,E2    |
|      | R995       | RK73EB2E511J | MG RESISTOR | 510Ω 1/4W J   | 1   | E1,X1,E2    |
|      | R996       | RK73GB2A152J | MG RESISTOR | 1.5kΩ 1/10W J | 1   | E1,X1,E2    |
|      | R997       | RK73GB2A152J | MG RESISTOR | 1.5kΩ 1/10W J | 1   | E1,X1,E2    |
|      | R998       | RK73GB2A102J | MG RESISTOR | 1kΩ 1/10W J   | 1   | E1,X1,E2    |
|      | R999       | RK73GB2A102J | MG RESISTOR | 1kΩ 1/10W J   | 1   | E1,X1,E2    |
|      | R1000      | RK73GB2A681J | MG RESISTOR | 680Ω 1/10W J  | 1   | E1,X1,E2    |
|      | R1001      | RK73GB2A681J | MG RESISTOR | 680Ω 1/10W J  | 1   | E1,X1,E2    |
|      | R1010      | RK73HB1J124J | MG RESISTOR | 120kΩ 1/16W J | 1   |             |
|      | R1011      | RK73HB1J154J | MG RESISTOR | 150kΩ 1/16W J | 1   |             |
|      | R1013      | RK73HB1J473J | MG RESISTOR | 47kΩ 1/16W J  | 1   |             |
|      | R1014      | RK73HB1J124J | MG RESISTOR | 120kΩ 1/16W J | 1   | K0,E1,X1,E2 |
|      | R1015      | RK73HB1J154J | MG RESISTOR | 150kΩ 1/16W J | 1   | K0,E1,X1,E2 |
|      | R1015      | RK73HB1J753J | MG RESISTOR | 75kΩ 1/16W J  | 1   | K1          |
|      | R1016      | RK73FB2B000J | MG RESISTOR | 0Ω 1/8W J     | 1   | K0,K1       |
|      | R1017      | RK73FB2B000J | MG RESISTOR | 0Ω 1/8W J     | 1   | K0,K1       |
|      | R1018      | RK73FB2B000J | MG RESISTOR | 0Ω 1/8W J     | 1   | K0,K1       |
|      | R1019      | RK73FB2B000J | MG RESISTOR | 0Ω 1/8W J     | 1   | K0,K1       |
|      | R1034      | RK73HB1J473J | MG RESISTOR | 47kΩ 1/16W J  | 1   |             |
|      | R1035      | RK73GB2A103J | MG RESISTOR | 10kΩ 1/10W J  | 1   |             |
|      | R1047      | RK73HH1J100D | MG RESISTOR | 10Ω 1/16W D   | 1   |             |
|      | R1053      | RK73EB2E000J | MG RESISTOR | 0Ω 1/4W J     | 1   |             |
|      | R1056      | RK73GB2A102J | MG RESISTOR | 1kΩ 1/10W J   | 1   |             |
|      | R1057      | RK73GB2A102J | MG RESISTOR | 1kΩ 1/10W J   | 1   |             |

| MODEL      | MARK | MODEL  | MARK | MODEL     | MARK | MODEL     | MARK |
|------------|------|--------|------|-----------|------|-----------|------|
| DDX375BT   | K0   | DDX395 | K1   | DDX4018BT | E1   | DDX4018BT | X1   |
| DDX4018DAB | E2   |        |      |           |      |           |      |

| Safe                            | Symbol No. | Parts No.     | Parts Name      | Description  | QTY | Local       |
|---------------------------------|------------|---------------|-----------------|--------------|-----|-------------|
|                                 | R1062      | RK73GB2A000J  | MG RESISTOR     | 0Ω 1/10W J   | 1   |             |
|                                 | R1063      | RK73GB2A000J  | MG RESISTOR     | 0Ω 1/10W J   | 1   |             |
|                                 | R1066      | RK73GB2A000J  | MG RESISTOR     | 0Ω 1/10W J   | 1   |             |
|                                 | R1068      | RK73GB2A000J  | MG RESISTOR     | 0Ω 1/10W J   | 1   |             |
|                                 | R1209      | RK73EB2E000J  | MG RESISTOR     | 0Ω 1/4W J    | 1   |             |
|                                 | L60        | L3D-0044-00   | CHOKE COIL      |              | 1   |             |
|                                 | L480       | LR73Z0AD4R7M  | CHIP INDUCTOR   | 4.7uH        | 1   |             |
|                                 | L481       | LR73Z0AD4R7M  | CHIP INDUCTOR   | 4.7uH        | 1   |             |
|                                 | L482       | LR79Z0AG100M  | CHIP INDUCTOR   | 10uH         | 1   |             |
|                                 | L500       | LR79Z0JA150M  | CHIP INDUCTOR   |              | 1   |             |
|                                 | L540       | LR79Z0AV100M  | CHIP INDUCTOR   | 10uH         | 1   |             |
|                                 | L580       | LR79Z0DE470M  | CHIP INDUCTOR   |              | 1   |             |
|                                 | L581       | LB73G0ED-005  | CHIP FERRITE    |              | 1   |             |
|                                 | L582       | LB73G0ED-005  | CHIP FERRITE    |              | 1   |             |
|                                 | L600       | LR73Z0AD4R7M  | CHIP INDUCTOR   | 4.7uH        | 1   |             |
|                                 | L601       | LR73Z0AD4R7M  | CHIP INDUCTOR   | 4.7uH        | 1   |             |
|                                 | L602       | LK73G0BER12K  | M.CHIP INDUCTOR |              | 1   | K0,K1,E1,X1 |
|                                 | L604       | LK73G0BE1R8K  | M.CHIP INDUCTOR |              | 1   | K0,K1,E1,X1 |
|                                 | L605       | LK73G0BER39K  | M.CHIP INDUCTOR |              | 1   | K0,K1,E1,X1 |
|                                 | L607       | L1K-0001-00   | BALUN TRANS     |              | 1   | K0,K1,E1,X1 |
|                                 | L609       | LK73G0BE100K  | M.CHIP INDUCTOR |              | 1   | K0,K1,E1,X1 |
|                                 | L610       | LK73G0BER15K  | M.CHIP INDUCTOR |              | 1   | K0,K1,E1,X1 |
|                                 | L611       | LK73G0BE82NK  | M.CHIP INDUCTOR |              | 1   | K0,K1,E1,X1 |
|                                 | L720       | LB73G0BD-006  | CHIP FERRITE    |              | 1   |             |
|                                 | L743       | RK73HB1J101J  | MG RESISTOR     | 100Ω 1/16W J | 1   |             |
|                                 | L744       | RK73HB1J101J  | MG RESISTOR     | 100Ω 1/16W J | 1   |             |
|                                 | L783       | LB73H0BG-003  | CHIP FERRITE    |              | 1   |             |
|                                 | L786       | LB73H0BG-003  | CHIP FERRITE    |              | 1   |             |
|                                 | L824       | RK73HB1J101J  | MG RESISTOR     | 100Ω 1/16W J | 1   |             |
|                                 | L825       | RK73HB1J101J  | MG RESISTOR     | 100Ω 1/16W J | 1   |             |
|                                 | L826       | RK73HB1J101J  | MG RESISTOR     | 100Ω 1/16W J | 1   |             |
|                                 | L827       | RK73HB1J101J  | MG RESISTOR     | 100Ω 1/16W J | 1   |             |
|                                 | L860       | LR79Z0JA150M  | CHIP INDUCTOR   |              | 1   |             |
|                                 | L1010      | LB73H0CC-003  | CHIP FERRITE    |              | 1   |             |
|                                 | L1011      | LB73H0CC-003  | CHIP FERRITE    |              | 1   |             |
|                                 | L1012      | LR73Z0AD4R7M  | CHIP INDUCTOR   | 4.7uH        | 1   |             |
|                                 | L1016      | LK73Z0AK4R7M  | M.CHIP INDUCTOR | 4.7uH        | 1   | E1,X1,E2    |
|                                 | L1017      | LK73Z0AK4R7M  | M.CHIP INDUCTOR | 4.7uH        | 1   | E1,X1,E2    |
|                                 | L1018      | LK73Z0AK4R7M  | M.CHIP INDUCTOR | 4.7uH        | 1   | E1,X1,E2    |
|                                 | L1019      | LK73Z0AK4R7M  | M.CHIP INDUCTOR | 4.7uH        | 1   | E1,X1,E2    |
|                                 | AT600      | E3A-0388-00   | ANTENNA CABLE   |              | 1   | E2          |
|                                 | AT601      | E6J-0006-00   | JACK OTHERS     |              | 1   | K0,K1,E1,X1 |
|                                 | CN60       | QGA2501C1-02  | W TO B CONNE    | W-B (1-2)    | 1   | K0,K1       |
|                                 | CN80       | QGA2001C1-05  | W TO B CONNE    | W-B (1-5)    | 1   |             |
|                                 | CN81       | QGA1501F1-03  | W TO B CONNE    | W-B (1-3)    | 1   |             |
|                                 | CN130      | QGA2001C1-02  | W TO B CONNE    | W-B (1-2)    | 1   | X1          |
|                                 | CN220      | EC720AA-0508A | FFC FPC CONNE   |              | 1   |             |
|                                 | CN410      | QGA2501C1-02  | W TO B CONNE    | W-B (1-2)    | 1   |             |
|                                 | CN480      | EC720AA-0535A | FFC FPC CONNE   |              | 1   |             |
|                                 | CN650      | EC720AA-0560A | FFC FPC CONNE   |              | 1   |             |
|                                 | CN652      | EC720AA-0526A | FFC FPC CONNE   |              | 1   | K0,K1       |
|                                 | CN654      | EC720AA-0522A | FFC FPC CONNE   |              | 1   | E1,X1,E2    |
| △                               | F100       | F53-0513-08   | PATTERN FUSE    | 4A           | 1   |             |
| △                               | F130       | F53-0513-08   | PATTERN FUSE    | 4A           | 1   |             |
| △                               | F131       | F53-0513-08   | PATTERN FUSE    | 4A           | 1   |             |
| △                               | F270       | F53-0513-08   | PATTERN FUSE    | 4A           | 1   |             |
| △                               | F580       | FZA10BF-1R0   | FUSE (CC)       | 1A           | 1   |             |
| △                               | F920       | FZA10BF-4R0   | FUSE (CC)       |              | 1   |             |
|                                 | FL80       | L7K-0038-00   | FILTER          |              | 1   |             |
|                                 | J60        | E5J-0139-00   | R.RECEPTACLE    |              | 1   |             |
|                                 | J100       | QNS0291-001   | 3.5 JACK        |              | 1   | E1,X1,E2    |
|                                 | J130       | QNN0890-001   | PIN JACK        |              | 1   |             |
|                                 | J220       | QNS0307-001   | 3.5 JACK        |              | 1   |             |
|                                 | J270       | QNN0889-001   | PIN JACK        |              | 1   |             |
|                                 | J600       | G0K-0013-00   | SPRING          |              | 1   | K0,K1,E1,X1 |
|                                 | VA100      | SDV1005E18//1 | VARIATOR        |              | 1   | E1,X1,E2    |
|                                 | VA101      | SDV1005E18//1 | VARIATOR        |              | 1   | E1,X1,E2    |
|                                 | VA102      | SDV1005A14//0 | VARIATOR        |              | 1   | E1,X1,E2    |
|                                 | VA103      | SDV1005A14//0 | VARIATOR        |              | 1   | E1,X1,E2    |
|                                 | VA130      | SDV1005E18//1 | VARIATOR        |              | 1   | X1          |
|                                 | VA131      | SDV1005E18//1 | VARIATOR        |              | 1   |             |
|                                 | VA132      | SDV1005E18//1 | VARIATOR        |              | 1   |             |
|                                 | VA220      | SDV1005A14//0 | VARIATOR        |              | 1   |             |
|                                 | VA221      | SDV1005A14//0 | VARIATOR        |              | 1   |             |
|                                 | VA250      | SDV1005A14//0 | VARIATOR        |              | 1   |             |
|                                 | VA251      | SDV1005A14//0 | VARIATOR        |              | 1   |             |
|                                 | VA320      | SDV1005A14//0 | VARIATOR        |              | 1   |             |
|                                 | VA330      | SDV1005A14//0 | VARIATOR        |              | 1   |             |
|                                 | VA340      | SDV1005A14//0 | VARIATOR        |              | 1   |             |
|                                 | VA350      | SDV1005A14//0 | VARIATOR        |              | 1   |             |
|                                 | VA410      | SDV1005E18//1 | VARIATOR        |              | 1   |             |
|                                 | VA411      | SDV1005A14//0 | VARIATOR        |              | 1   |             |
|                                 | VA606      | NAF0024-001X  | ESD SUPPRESSOR  |              | 1   |             |
|                                 | VA1010     | F0K-0145-00   | SURGE ABSORBER  |              | 1   |             |
|                                 | X600       | L7J-0021-00   | QUARTZ CRYSTAL  |              | 1   | K0,K1,E1,X1 |
|                                 | X720       | L7J-0123-00   | QUARTZ CRYSTAL  |              | 1   |             |
|                                 | X721       | L7J-0105-00   | QUARTZ CRYSTAL  |              | 1   |             |
| BT PWB ASSY (XJ5-001K-00) <XJ5> |            |               |                 |              |     |             |
|                                 | C1301      | CK73HXR1A104K | C CAPACITOR     | 0.1uF 10V K  | 1   |             |

|            |      |        |      |           |      |           |      |
|------------|------|--------|------|-----------|------|-----------|------|
| MODEL      | MARK | MODEL  | MARK | MODEL     | MARK | MODEL     | MARK |
| DDX375BT   | K0   | DDX395 | K1   | DDX4018BT | E1   | DDX4018BT | X1   |
| DDX4018DAB | E2   |        |      |           |      |           |      |

| Safe | Symbol No.                           | Parts No.     | Parts Name      | Description   | QTY | Local       |  |
|------|--------------------------------------|---------------|-----------------|---------------|-----|-------------|--|
|      | C1302                                | CK73HXR1A105K | C CAPACITOR     | 1uF 10V K     | 1   |             |  |
|      | C1304                                | CK73GXR1H104K | C CAPACITOR     | 0.1uF 50V K   | 1   |             |  |
|      | C1305                                | CK73FXR0J106K | C CAPACITOR     | 10uF 6.3V K   | 1   |             |  |
|      | C1306                                | CK73HXR1C103K | C CAPACITOR     | 0.01uF 16V K  | 1   |             |  |
|      | C1317                                | CK73HXR1A105K | C CAPACITOR     | 1uF 10V K     | 1   |             |  |
|      | R1302                                | RK73GB2A000J  | MG RESISTOR     | 0Ω 1/10W J    | 1   |             |  |
|      | R1304                                | RK73HB1J000J  | MG RESISTOR     | 0Ω 1/16W J    | 1   |             |  |
|      | R1305                                | RK73HB1J220J  | MG RESISTOR     | 22Ω 1/16W J   | 1   |             |  |
|      | R1306                                | RK73HB1J103J  | MG RESISTOR     | 10kΩ 1/16W J  | 1   |             |  |
|      | R1307                                | RK73HB1J103J  | MG RESISTOR     | 10kΩ 1/16W J  | 1   |             |  |
|      | R1308                                | RK73HB1J470J  | MG RESISTOR     | 47Ω 1/16W J   | 1   |             |  |
|      | R1309                                | RK73HB1J470J  | MG RESISTOR     | 47Ω 1/16W J   | 1   |             |  |
|      | R1310                                | RK73HB1J470J  | MG RESISTOR     | 47Ω 1/16W J   | 1   |             |  |
|      | R1311                                | RK73HB1J470J  | MG RESISTOR     | 47Ω 1/16W J   | 1   |             |  |
|      | R1312                                | RK73HB1J220J  | MG RESISTOR     | 22Ω 1/16W J   | 1   |             |  |
|      | R1313                                | RK73HB1J220J  | MG RESISTOR     | 22Ω 1/16W J   | 1   |             |  |
|      | R1316                                | RK73HB1J470J  | MG RESISTOR     | 47Ω 1/16W J   | 1   |             |  |
|      | R1317                                | RK73GB2A470J  | MG RESISTOR     | 47Ω 1/10W J   | 1   |             |  |
|      | R1318                                | RK73GB2A470J  | MG RESISTOR     | 47Ω 1/10W J   | 1   |             |  |
|      | R1319                                | RK73GB2A470J  | MG RESISTOR     | 47Ω 1/10W J   | 1   |             |  |
|      | L1302                                | LR7320AD4R7M  | CHIP INDUCTOR   | 4.7uH         | 1   |             |  |
|      | A1301                                | W0C-0167-00   | CIRCUIT MODULE  |               | 1   |             |  |
|      | CN1301                               | EC720AA-0522A | FFC FPC CONNE   |               | 1   |             |  |
|      | CN1302                               | EC720AA-0508A | FFC FPC CONNE   |               | 1   |             |  |
|      | CONTROL PWB ASSY (XJ6-0620-10) <XJ6> |               |                 |               |     |             |  |
|      | IC1700                               | PIC95603      | IR DETECT UNIT  |               | 1   |             |  |
|      | Q1700                                | LSCR523UBFS8  | TRANSISTOR      |               | 1   |             |  |
|      | Q1701                                | LSCR523UBFS8  | TRANSISTOR      |               | 1   |             |  |
|      | Q1702                                | LSCR523UBFS8  | TRANSISTOR      |               | 1   |             |  |
|      | Q1703                                | LTC014YEBFS8  | DIGI TRANSISTOR |               | 1   |             |  |
|      | D1700                                | SML-D12V8WSPQ | LED             |               | 1   |             |  |
|      | D1701                                | SML-D12V8WSPQ | LED             |               | 1   |             |  |
|      | D1703                                | LTRBR8SF-8//0 | LED             |               | 1   |             |  |
|      | D1704                                | LTRBR8SF-8//0 | LED             |               | 1   |             |  |
|      | C1700                                | CK73HXR1H103K | C CAPACITOR     | 0.01uF 50V K  | 1   |             |  |
|      | C1701                                | CK73HXR0J105K | C CAPACITOR     | 1uF 6.3V K    | 1   |             |  |
|      | C1709                                | CK73GBB1H103K | C CAPACITOR     | 0.01uF 50V K  | 1   |             |  |
|      | R1700                                | RK73HB1J241J  | MG RESISTOR     | 240Ω 1/16W J  | 1   |             |  |
|      | R1701                                | RK73HB1J161J  | MG RESISTOR     | 160Ω 1/16W J  | 1   |             |  |
|      | R1703                                | RK73GB2A112J  | MG RESISTOR     | 1.1kΩ 1/10W J | 1   |             |  |
|      | R1704                                | RK73GB2A112J  | MG RESISTOR     | 1.1kΩ 1/10W J | 1   |             |  |
|      | R1705                                | RK73FB2B132J  | MG RESISTOR     | 1.3kΩ 1/8W J  | 1   |             |  |
|      | R1706                                | RK73FB2B132J  | MG RESISTOR     | 1.3kΩ 1/8W J  | 1   |             |  |
|      | R1707                                | RK73HB1J473J  | MG RESISTOR     | 47kΩ 1/16W J  | 1   |             |  |
|      | R1708                                | RK73GH2A181D  | MG RESISTOR     | 180Ω 1/10W D  | 1   |             |  |
|      | R1710                                | RK73HB1J473J  | MG RESISTOR     | 47kΩ 1/16W J  | 1   |             |  |
|      | R1711                                | RK73GH2A181D  | MG RESISTOR     | 180Ω 1/10W D  | 1   |             |  |
|      | R1713                                | RK73HB1J473J  | MG RESISTOR     | 47kΩ 1/16W J  | 1   |             |  |
|      | R1714                                | RK73GH2A181D  | MG RESISTOR     | 180Ω 1/10W D  | 1   |             |  |
|      | R1717                                | RK73HB1J182J  | MG RESISTOR     | 1.8kΩ 1/16W J | 1   |             |  |
|      | R1718                                | RK73HB1J242J  | MG RESISTOR     | 2.4kΩ 1/16W J | 1   |             |  |
|      | R1719                                | RK73HB1J182J  | MG RESISTOR     | 1.8kΩ 1/16W J | 1   |             |  |
|      | R1721                                | RK73GB2A112J  | MG RESISTOR     | 1.1kΩ 1/10W J | 1   |             |  |
|      | R1722                                | RK73GB2A112J  | MG RESISTOR     | 1.1kΩ 1/10W J | 1   |             |  |
|      | R1724                                | RK73GB2A000J  | MG RESISTOR     | 0Ω 1/10W J    | 1   |             |  |
|      | R1725                                | RK73GB2A000J  | MG RESISTOR     | 0Ω 1/10W J    | 1   |             |  |
|      | CN1700                               | EC720AA-0515A | FFC FPC CONNE   |               | 1   |             |  |
|      | JS1700                               | QSW1279-001   | ROTARY ENCODER  |               | 1   |             |  |
|      | S1700                                | S7A-0001-00   | TACTILE PUSH SW |               | 1   |             |  |
|      | S1701                                | S7A-0001-00   | TACTILE PUSH SW |               | 1   |             |  |
|      | S1702                                | S7A-0001-00   | TACTILE PUSH SW |               | 1   |             |  |
|      | S1703                                | S7A-0001-00   | TACTILE PUSH SW |               | 1   |             |  |
|      | S1704                                | S7A-0001-00   | TACTILE PUSH SW |               | 1   |             |  |
|      | VIDEO PWB ASSY (XJ8-047K-0x) <XJ8>   |               |                 |               |     |             |  |
|      | IC1400                               | MFI337S395901 | MCU IC          |               | 1   |             |  |
|      | IC1500                               | BU15TD3WG     | MOS IC          |               | 1   |             |  |
|      | IC1550                               | BD001A5WEFJ   | ANALOG IC       |               | 1   |             |  |
|      | IC1560                               | BU33TD3WG     | MOS IC          |               | 1   |             |  |
|      | IC1600                               | ML86250LAZ07F | MOS IC          | BGA           | 1   |             |  |
|      | IC1880                               | BA2904FVM     | MOS IC          |               | 1   |             |  |
|      | IC1881                               | NJM11100F1    | ANALOG IC       |               | 1   |             |  |
|      | IC1901                               | M12L25116A6T2 | DRAM IC         |               | 1   |             |  |
|      | IC1902                               | M12L25116A6T2 | DRAM IC         |               | 1   |             |  |
|      | IC1940                               | W3F-0312-00   | ROM IC          |               | 1   |             |  |
|      | IC1940                               | W3F-0313-00   | ROM IC          |               | 1   | K0,E1,X1,E2 |  |
|      | IC2000                               | STA1090       | MPU IC          | BGA           | 1   | K1          |  |
|      | Q1400                                | KTA2014P/Y/   | TRANSISTOR      |               | 1   |             |  |
|      | Q1580                                | KTA2014P/Y/   | TRANSISTOR      |               | 1   |             |  |
|      | Q1581                                | KRC407E-P     | DIGI TRANSISTOR |               | 1   |             |  |
|      | Q1619                                | KRC402P       | DIGI TRANSISTOR |               | 1   |             |  |
|      | Q1800                                | KTC4075P/Y/   | TRANSISTOR      |               | 1   |             |  |
|      | Q1801                                | KTC4075P/Y/   | TRANSISTOR      |               | 1   |             |  |
|      | Q1802                                | KTC4075P/Y/   | TRANSISTOR      |               | 1   |             |  |
|      | Q1803                                | KTC4075P/Y/   | TRANSISTOR      |               | 1   |             |  |
|      | Q1804                                | KTC4075P/Y/   | TRANSISTOR      |               | 1   |             |  |
|      | Q1805                                | KTC4075P/Y/   | TRANSISTOR      |               | 1   |             |  |
|      | Q1806                                | KTC4075P/Y/   | TRANSISTOR      |               | 1   |             |  |
|      | Q1807                                | KTC4075P/Y/   | TRANSISTOR      |               | 1   |             |  |
|      | Q1808                                | KTC4075P/Y/   | TRANSISTOR      |               | 1   |             |  |
|      | Q1810                                | KRC407E-P     | DIGI TRANSISTOR |               | 1   |             |  |
|      | Q1811                                | KRC407E-P     | DIGI TRANSISTOR |               | 1   |             |  |

|            |      |        |      |           |      |           |      |
|------------|------|--------|------|-----------|------|-----------|------|
| MODEL      | MARK | MODEL  | MARK | MODEL     | MARK | MODEL     | MARK |
| DDX375BT   | K0   | DDX395 | K1   | DDX4018BT | E1   | DDX4018BT | X1   |
| DDX4018DAB | E2   |        |      |           |      |           |      |

| Safe | Symbol No. | Parts No.     | Parts Name      | Description  | QTY | Local |
|------|------------|---------------|-----------------|--------------|-----|-------|
|      | Q1812      | KRC407E-P     | DIGI TRANSISTOR |              | 1   |       |
|      | Q1813      | KRC407E-P     | DIGI TRANSISTOR |              | 1   |       |
|      | Q1814      | KTA2014P/Y/   | TRANSISTOR      |              | 1   |       |
|      | Q1815      | KTC4075P/Y/   | TRANSISTOR      |              | 1   |       |
|      | Q1880      | KTC4075P/Y/   | TRANSISTOR      |              | 1   |       |
|      | Q1881      | KTA2014P/Y/   | TRANSISTOR      |              | 1   |       |
|      | Q1882      | KTC4075P/Y/   | TRANSISTOR      |              | 1   |       |
|      | Q1883      | KRC407E-P     | DIGI TRANSISTOR |              | 1   |       |
|      | Q1884      | KRA307E-P     | TRANSISTOR      |              | 1   |       |
|      | Q1885      | KRC407E-P     | DIGI TRANSISTOR |              | 1   |       |
|      | Q1886      | KTC4075P/Y/   | TRANSISTOR      |              | 1   |       |
|      | Q1887      | KTC4075P/Y/   | TRANSISTOR      |              | 1   |       |
|      | Q1888      | KRC407E-P     | DIGI TRANSISTOR |              | 1   |       |
|      | D1550      | SM5818PL      | SCHOTTKY DIODE  |              | 1   |       |
|      | D1794      | RSB6.8SM      | ZENER DIODE     |              | 1   |       |
|      | D1795      | RSB6.8SM      | ZENER DIODE     |              | 1   |       |
|      | D1796      | RSB6.8SM      | ZENER DIODE     |              | 1   |       |
|      | D1797      | RSB6.8SM      | ZENER DIODE     |              | 1   |       |
|      | D1881      | UDZV13B       | ZENER DIODE     |              | 1   |       |
|      | D1882      | UDZV18B       | ZENER DIODE     |              | 1   |       |
|      | D1883      | 1SS355VM      | DIODE           |              | 1   |       |
|      | D1992      | RSB6.8SM      | ZENER DIODE     |              | 1   |       |
|      | C1400      | CK73HXR1A104K | C CAPACITOR     | 0.1uF 10V K  | 1   |       |
|      | C1500      | CK73HXR1A105K | C CAPACITOR     | 1uF 10V K    | 1   |       |
|      | C1501      | CK73HXR1A105K | C CAPACITOR     | 1uF 10V K    | 1   |       |
|      | C1550      | CK73FXR0J106K | C CAPACITOR     | 10uF 6.3V K  | 1   |       |
|      | C1551      | CK73HXR1H103K | C CAPACITOR     | 0.01uF 50V K | 1   |       |
|      | C1553      | CK73FXR1C475K | C CAPACITOR     | 4.7uF 16V K  | 1   |       |
|      | C1554      | CK73HXR1A105K | C CAPACITOR     | 1uF 10V K    | 1   |       |
|      | C1555      | CK73HXR1A105K | C CAPACITOR     | 1uF 10V K    | 1   |       |
|      | C1561      | CK73HXR1A104K | C CAPACITOR     | 0.1uF 10V K  | 1   |       |
|      | C1562      | CK73FXR0J106K | C CAPACITOR     | 10uF 6.3V K  | 1   |       |
|      | C1563      | CK73FXR0J106K | C CAPACITOR     | 10uF 6.3V K  | 1   |       |
|      | C1580      | CK73GXR1H103K | C CAPACITOR     | 0.01uF 50V K | 1   |       |
|      | C1632      | CK73HXR1A104K | C CAPACITOR     | 0.1uF 10V K  | 1   |       |
|      | C1633      | CK73HXR1A104K | C CAPACITOR     | 0.1uF 10V K  | 1   |       |
|      | C1634      | CK73HXR1A104K | C CAPACITOR     | 0.1uF 10V K  | 1   |       |
|      | C1635      | CK73HXR1A104K | C CAPACITOR     | 0.1uF 10V K  | 1   |       |
|      | C1637      | CK73HXR1A104K | C CAPACITOR     | 0.1uF 10V K  | 1   |       |
|      | C1638      | CK73HXR1A104K | C CAPACITOR     | 0.1uF 10V K  | 1   |       |
|      | C1640      | CK73HXR1A104K | C CAPACITOR     | 0.1uF 10V K  | 1   |       |
|      | C1641      | CK73HXR1A104K | C CAPACITOR     | 0.1uF 10V K  | 1   |       |
|      | C1642      | CK73HXR1A104K | C CAPACITOR     | 0.1uF 10V K  | 1   |       |
|      | C1643      | CK73HXR1A104K | C CAPACITOR     | 0.1uF 10V K  | 1   |       |
|      | C1644      | CK73HXR1A104K | C CAPACITOR     | 0.1uF 10V K  | 1   |       |
|      | C1646      | CK73GXR0J106K | C CAPACITOR     | 10uF 6.3V K  | 1   |       |
|      | C1647      | CK73GXR0J106K | C CAPACITOR     | 10uF 6.3V K  | 1   |       |
|      | C1649      | CK73GXR0J106K | C CAPACITOR     | 10uF 6.3V K  | 1   |       |
|      | C1650      | CK73GXR0J106K | C CAPACITOR     | 10uF 6.3V K  | 1   |       |
|      | C1651      | CK73GXR0J106K | C CAPACITOR     | 10uF 6.3V K  | 1   |       |
|      | C1652      | CK73GXR0J106K | C CAPACITOR     | 10uF 6.3V K  | 1   |       |
|      | C1653      | CK73HXR1H103K | C CAPACITOR     | 0.01uF 50V K | 1   |       |
|      | C1654      | CC73HCH1H102J | C CAPACITOR     | 1000pF 50V J | 1   |       |
|      | C1656      | CK73HXR1H103K | C CAPACITOR     | 0.01uF 50V K | 1   |       |
|      | C1663      | CK73HXR1A105K | C CAPACITOR     | 1uF 10V K    | 1   |       |
|      | C1664      | CK73HXR1A105K | C CAPACITOR     | 1uF 10V K    | 1   |       |
|      | C1665      | CK73HXR1A105K | C CAPACITOR     | 1uF 10V K    | 1   |       |
|      | C1666      | CC73HCH1H120J | C CAPACITOR     | 12pF 50V J   | 1   |       |
|      | C1667      | CC73HCH1H120J | C CAPACITOR     | 12pF 50V J   | 1   |       |
|      | C1668      | CK73HXR1A105K | C CAPACITOR     | 1uF 10V K    | 1   |       |
|      | C1669      | CK73HXR1A105K | C CAPACITOR     | 1uF 10V K    | 1   |       |
|      | C1671      | CK73HXR1A105K | C CAPACITOR     | 1uF 10V K    | 1   |       |
|      | C1672      | CK73GXR0J106K | C CAPACITOR     | 10uF 6.3V K  | 1   |       |
|      | C1673      | CK73GXR0J106K | C CAPACITOR     | 10uF 6.3V K  | 1   |       |
|      | C1674      | CK73GXR0J106K | C CAPACITOR     | 10uF 6.3V K  | 1   |       |
|      | C1675      | CK73GXR0J106K | C CAPACITOR     | 10uF 6.3V K  | 1   |       |
|      | C1677      | CK73HXR1A104K | C CAPACITOR     | 0.1uF 10V K  | 1   |       |
|      | C1678      | CK73HXR1H472K | C CAPACITOR     | 4700pF 50V K | 1   |       |
|      | C1679      | CK73GXR0J106K | C CAPACITOR     | 10uF 6.3V K  | 1   |       |
|      | C1790      | CC73HCH1H102J | C CAPACITOR     | 1000pF 50V J | 1   |       |
|      | C1791      | CC73HCH1H102J | C CAPACITOR     | 1000pF 50V J | 1   |       |
|      | C1792      | CC73HCH1H102J | C CAPACITOR     | 1000pF 50V J | 1   |       |
|      | C1793      | CC73HCH1H102J | C CAPACITOR     | 1000pF 50V J | 1   |       |
|      | C1829      | CK73GXR1H104K | C CAPACITOR     | 0.1uF 50V K  | 1   |       |
|      | C1830      | CK73HXR1A105K | C CAPACITOR     | 1uF 10V K    | 1   |       |
|      | C1840      | CK73FXR1E475K | C CAPACITOR     | 4.7uF 25V K  | 1   |       |
|      | C1841      | CK73HXR1A104K | C CAPACITOR     | 0.1uF 10V K  | 1   |       |
|      | C1844      | CK73HXR1C104K | C CAPACITOR     | 0.1uF 16V K  | 1   |       |
|      | C1845      | CK73HXR1C104K | C CAPACITOR     | 0.1uF 16V K  | 1   |       |
|      | C1846      | CK73HXR1C104K | C CAPACITOR     | 0.1uF 16V K  | 1   |       |
|      | C1872      | CK73FXR1C106K | C CAPACITOR     | 10uF 16V K   | 1   |       |
|      | C1873      | CK73GXR1H104K | C CAPACITOR     | 0.1uF 50V K  | 1   |       |
|      | C1874      | CK73GXR1E105K | C CAPACITOR     | 1uF 25V K    | 1   |       |
|      | C1875      | CC73HCH1H101J | C CAPACITOR     | 100pF 50V J  | 1   |       |
|      | C1880      | CK73HXR1H103K | C CAPACITOR     | 0.01uF 50V K | 1   |       |
|      | C1881      | CK73HXR1H103K | C CAPACITOR     | 0.01uF 50V K | 1   |       |
|      | C1882      | CK73GXR1H104K | C CAPACITOR     | 0.1uF 50V K  | 1   |       |
|      | C1883      | CK73FXR1E475K | C CAPACITOR     | 4.7uF 25V K  | 1   |       |
|      | C1884      | CK73GXR1E105K | C CAPACITOR     | 1uF 25V K    | 1   |       |
|      | C1885      | CK73GXR1E105K | C CAPACITOR     | 1uF 25V K    | 1   |       |
|      | C1886      | CK73GXR1E105K | C CAPACITOR     | 1uF 25V K    | 1   |       |
|      | C1887      | CK73GXR1H104K | C CAPACITOR     | 0.1uF 50V K  | 1   |       |

|            |      |        |      |           |      |           |      |
|------------|------|--------|------|-----------|------|-----------|------|
| MODEL      | MARK | MODEL  | MARK | MODEL     | MARK | MODEL     | MARK |
| DDX375BT   | K0   | DDX395 | K1   | DDX4018BT | E1   | DDX4018BT | X1   |
| DDX4018DAB | E2   |        |      |           |      |           |      |

| Safe | Symbol No. | Parts No.     | Parts Name  | Description   | QTY | Local |
|------|------------|---------------|-------------|---------------|-----|-------|
|      | C1888      | CK73GXR1H104K | C CAPACITOR | 0.1uF 50V K   | 1   |       |
|      | C1889      | CK73GXR1E105K | C CAPACITOR | 1uF 25V K     | 1   |       |
|      | C1890      | CK73GXR1H104K | C CAPACITOR | 0.1uF 50V K   | 1   |       |
|      | C1891      | CK73FXR0J106K | C CAPACITOR | 10uF 6.3V K   | 1   |       |
|      | C1892      | CK73HXR1A104K | C CAPACITOR | 0.1uF 10V K   | 1   |       |
|      | C1893      | CK73HXR1A104K | C CAPACITOR | 0.1uF 10V K   | 1   |       |
|      | C1894      | CK73HXR1A104K | C CAPACITOR | 0.1uF 10V K   | 1   |       |
|      | C1895      | CK73FXR0J106K | C CAPACITOR | 10uF 6.3V K   | 1   |       |
|      | C1896      | CK73HXR1A104K | C CAPACITOR | 0.1uF 10V K   | 1   |       |
|      | C1897      | CK73HXR1A105K | C CAPACITOR | 1uF 10V K     | 1   |       |
|      | C1898      | CK73HXR1A104K | C CAPACITOR | 0.1uF 10V K   | 1   |       |
|      | C1899      | CK73FXR1E475K | C CAPACITOR | 4.7uF 25V K   | 1   |       |
|      | C1901      | CK73FXR0J106K | C CAPACITOR | 10uF 6.3V K   | 1   |       |
|      | C1902      | CK73GXR1H103K | C CAPACITOR | 0.01uF 50V K  | 1   |       |
|      | C1903      | CK73HXR1H103K | C CAPACITOR | 0.01uF 50V K  | 1   |       |
|      | C1904      | CK73HXR1H103K | C CAPACITOR | 0.01uF 50V K  | 1   |       |
|      | C1905      | CK73GXR1H103K | C CAPACITOR | 0.01uF 50V K  | 1   |       |
|      | C1906      | CK73HXR1H103K | C CAPACITOR | 0.01uF 50V K  | 1   |       |
|      | C1907      | CK73GXR1H103K | C CAPACITOR | 0.01uF 50V K  | 1   |       |
|      | C1908      | CK73GXR1H103K | C CAPACITOR | 0.01uF 50V K  | 1   |       |
|      | C1909      | CK73GXR1H103K | C CAPACITOR | 0.01uF 50V K  | 1   |       |
|      | C1911      | CK73FXR0J106K | C CAPACITOR | 10uF 6.3V K   | 1   |       |
|      | C1912      | CK73HXR1H103K | C CAPACITOR | 0.01uF 50V K  | 1   |       |
|      | C1913      | CK73GXR1H103K | C CAPACITOR | 0.01uF 50V K  | 1   |       |
|      | C1915      | CK73HXR1H103K | C CAPACITOR | 0.01uF 50V K  | 1   |       |
|      | C1916      | CK73GXR1H103K | C CAPACITOR | 0.01uF 50V K  | 1   |       |
|      | C1917      | CK73GXR1H103K | C CAPACITOR | 0.01uF 50V K  | 1   |       |
|      | C1918      | CK73GXR1H103K | C CAPACITOR | 0.01uF 50V K  | 1   |       |
|      | C1940      | CK73FXR1C475K | C CAPACITOR | 4.7uF 16V K   | 1   |       |
|      | C1941      | CK73HXR1A104K | C CAPACITOR | 0.1uF 10V K   | 1   |       |
|      | C1942      | CK73HXR1A104K | C CAPACITOR | 0.1uF 10V K   | 1   |       |
|      | C1943      | CK73HXR1A104K | C CAPACITOR | 0.1uF 10V K   | 1   |       |
|      | C1944      | CK73HXR1A104K | C CAPACITOR | 0.1uF 10V K   | 1   |       |
|      | C2001      | CK73FXR1C475K | C CAPACITOR | 4.7uF 16V K   | 1   |       |
|      | C2003      | CK73HXR1A104K | C CAPACITOR | 0.1uF 10V K   | 1   |       |
|      | C2004      | CK73HXR1A104K | C CAPACITOR | 0.1uF 10V K   | 1   |       |
|      | C2005      | CK73HXR1A104K | C CAPACITOR | 0.1uF 10V K   | 1   |       |
|      | C2006      | CK73HXR1A105K | C CAPACITOR | 1uF 10V K     | 1   |       |
|      | C2007      | CK73HXR1H103K | C CAPACITOR | 0.01uF 50V K  | 1   |       |
|      | C2009      | CK73HXR1A104K | C CAPACITOR | 0.1uF 10V K   | 1   |       |
|      | C2010      | CK73HXR1A104K | C CAPACITOR | 0.1uF 10V K   | 1   |       |
|      | C2011      | CK73HXR1A105K | C CAPACITOR | 1uF 10V K     | 1   |       |
|      | C2012      | CK73HXR1H103K | C CAPACITOR | 0.01uF 50V K  | 1   |       |
|      | C2013      | CK73HXR1A105K | C CAPACITOR | 1uF 10V K     | 1   |       |
|      | C2014      | CK73HXR1A105K | C CAPACITOR | 1uF 10V K     | 1   |       |
|      | C2015      | CK73HXR1A104K | C CAPACITOR | 0.1uF 10V K   | 1   |       |
|      | C2017      | CK73HXR1A104K | C CAPACITOR | 0.1uF 10V K   | 1   |       |
|      | C2019      | CC73HCH1H101J | C CAPACITOR | 100pF 50V J   | 1   |       |
|      | C2020      | CK73FXR1C475K | C CAPACITOR | 4.7uF 16V K   | 1   |       |
|      | C2021      | CK73HXR1A104K | C CAPACITOR | 0.1uF 10V K   | 1   |       |
|      | C2023      | CK73HXR1H103K | C CAPACITOR | 0.01uF 50V K  | 1   |       |
|      | C2024      | CK73HXR1H103K | C CAPACITOR | 0.01uF 50V K  | 1   |       |
|      | C2025      | CK73HXR1A104K | C CAPACITOR | 0.1uF 10V K   | 1   |       |
|      | C2026      | CK73HXR1A104K | C CAPACITOR | 0.1uF 10V K   | 1   |       |
|      | C2027      | CK73HXR1A104K | C CAPACITOR | 0.1uF 10V K   | 1   |       |
|      | C2028      | CK73HXR1A104K | C CAPACITOR | 0.1uF 10V K   | 1   |       |
|      | C2029      | CK73HXR1A104K | C CAPACITOR | 0.1uF 10V K   | 1   |       |
|      | C2030      | CK73HXR1A104K | C CAPACITOR | 0.1uF 10V K   | 1   |       |
|      | C2031      | CK73HXR1A105K | C CAPACITOR | 1uF 10V K     | 1   |       |
|      | C2032      | CK73HXR1A104K | C CAPACITOR | 0.1uF 10V K   | 1   |       |
|      | C2033      | CK73HXR1A104K | C CAPACITOR | 0.1uF 10V K   | 1   |       |
|      | C2035      | CC73HCH1H101J | C CAPACITOR | 100pF 50V J   | 1   |       |
|      | C2036      | CK73HXR1A104K | C CAPACITOR | 0.1uF 10V K   | 1   |       |
|      | C2039      | CK73GXR0J475K | C CAPACITOR | 4.7uF 6.3V K  | 1   |       |
|      | C2040      | CK73HXR1A104K | C CAPACITOR | 0.1uF 10V K   | 1   |       |
|      | C2042      | CC73HCH1H080D | C CAPACITOR | 8pF 50V D     | 1   |       |
|      | C2043      | CC73HCH1H070D | C CAPACITOR | 7pF 50V D     | 1   |       |
|      | C2044      | CK73GXR0J475K | C CAPACITOR | 4.7uF 6.3V K  | 1   |       |
|      | C2045      | CC73HCH1H101J | C CAPACITOR | 100pF 50V J   | 1   |       |
|      | C2046      | CK73GXR0J475K | C CAPACITOR | 4.7uF 6.3V K  | 1   |       |
|      | C2047      | CC73HCH1H101J | C CAPACITOR | 100pF 50V J   | 1   |       |
|      | C2048      | CK73FXR0J106K | C CAPACITOR | 10uF 6.3V K   | 1   |       |
|      | C2049      | CK73HXR1H103K | C CAPACITOR | 0.01uF 50V K  | 1   |       |
|      | C2050      | CK73FXR0J106K | C CAPACITOR | 10uF 6.3V K   | 1   |       |
|      | C2051      | CK73HXR1H103K | C CAPACITOR | 0.01uF 50V K  | 1   |       |
|      | C2056      | CK73HXR1H222K | C CAPACITOR | 2200pF 50V K  | 1   |       |
|      | C2057      | CK73HXR1H103K | C CAPACITOR | 0.01uF 50V K  | 1   |       |
|      | C2058      | CK73FXR0J106K | C CAPACITOR | 10uF 6.3V K   | 1   |       |
|      | C2059      | CK73HXR0J474K | C CAPACITOR | 0.47uF 6.3V K | 1   |       |
|      | C2060      | CK73HXR0J474K | C CAPACITOR | 0.47uF 6.3V K | 1   |       |
|      | C2063      | CK73HXR1H103K | C CAPACITOR | 0.01uF 50V K  | 1   |       |
|      | C2064      | CK73FXR0J106K | C CAPACITOR | 10uF 6.3V K   | 1   |       |
|      | C2067      | CK73HXR1A104K | C CAPACITOR | 0.1uF 10V K   | 1   |       |
|      | C2072      | CK73HXR1A105K | C CAPACITOR | 1uF 10V K     | 1   |       |
|      | C2073      | CK73HXR1A105K | C CAPACITOR | 1uF 10V K     | 1   |       |
|      | C2080      | SDV1005E18//2 | VARISTOR    |               | 1   |       |
|      | C2081      | CK73HXR1A104K | C CAPACITOR | 0.1uF 10V K   | 1   |       |
|      | C2083      | CK73HXR1H472K | C CAPACITOR | 4700pF 50V K  | 1   |       |
|      | C2094      | CC73HCH1H101J | C CAPACITOR | 100pF 50V J   | 1   |       |
|      | C2095      | CC73HCH1H101J | C CAPACITOR | 100pF 50V J   | 1   |       |

|            |      |        |      |           |      |           |      |
|------------|------|--------|------|-----------|------|-----------|------|
| MODEL      | MARK | MODEL  | MARK | MODEL     | MARK | MODEL     | MARK |
| DDX375BT   | K0   | DDX395 | K1   | DDX4018BT | E1   | DDX4018BT | X1   |
| DDX4018DAB | E2   |        |      |           |      |           |      |

| Safe | Symbol No. | Parts No.     | Parts Name  | Description   | QTY | Local |
|------|------------|---------------|-------------|---------------|-----|-------|
|      | C2097      | CC73HCH1H101J | C CAPACITOR | 100pF 50V J   | 1   |       |
|      | R1401      | RK73HB1J101J  | MG RESISTOR | 100Ω 1/16W J  | 1   |       |
|      | R1402      | RK73HB1J101J  | MG RESISTOR | 100Ω 1/16W J  | 1   |       |
|      | R1403      | RK73HB1J472J  | MG RESISTOR | 4.7kΩ 1/16W J | 1   |       |
|      | R1404      | RK73HB1J222J  | MG RESISTOR | 2.2kΩ 1/16W J | 1   |       |
|      | R1405      | RK73HB1J222J  | MG RESISTOR | 2.2kΩ 1/16W J | 1   |       |
|      | R1406      | RK73GB2A472J  | MG RESISTOR | 4.7kΩ 1/10W J | 1   |       |
|      | R1407      | RK73HB1J103J  | MG RESISTOR | 10kΩ 1/16W J  | 1   |       |
|      | R1408      | RK73HB1J000J  | MG RESISTOR | 0Ω 1/16W J    | 1   |       |
|      | R1550      | RK73GB2A000J  | MG RESISTOR | 0Ω 1/10W J    | 1   |       |
|      | R1552      | RK73HH1J123D  | MG RESISTOR | 12kΩ 1/16W D  | 1   |       |
|      | R1553      | RK73HH1J243D  | MG RESISTOR | 24kΩ 1/16W D  | 1   |       |
|      | R1554      | RK73GB2A000J  | MG RESISTOR | 0Ω 1/10W J    | 1   |       |
|      | R1560      | RK73GB2A000J  | MG RESISTOR | 0Ω 1/10W J    | 1   |       |
|      | R1583      | RK73GB2A103J  | MG RESISTOR | 10kΩ 1/10W J  | 1   |       |
|      | R1600      | RK73HB1J101J  | MG RESISTOR | 100Ω 1/16W J  | 1   |       |
|      | R1601      | RK73HB1J181J  | MG RESISTOR | 180Ω 1/16W J  | 1   |       |
|      | R1602      | RK73HB1J181J  | MG RESISTOR | 180Ω 1/16W J  | 1   |       |
|      | R1603      | RK73HB1J181J  | MG RESISTOR | 180Ω 1/16W J  | 1   |       |
|      | R1604      | RK73HB1J181J  | MG RESISTOR | 180Ω 1/16W J  | 1   |       |
|      | R1605      | RK73HB1J181J  | MG RESISTOR | 180Ω 1/16W J  | 1   |       |
|      | R1606      | RK73HB1J181J  | MG RESISTOR | 180Ω 1/16W J  | 1   |       |
|      | R1607      | RK73HB1J181J  | MG RESISTOR | 180Ω 1/16W J  | 1   |       |
|      | R1608      | RK73HB1J181J  | MG RESISTOR | 180Ω 1/16W J  | 1   |       |
|      | R1609      | RK73HB1J181J  | MG RESISTOR | 180Ω 1/16W J  | 1   |       |
|      | R1610      | RK73HB1J181J  | MG RESISTOR | 180Ω 1/16W J  | 1   |       |
|      | R1611      | RK73HB1J101J  | MG RESISTOR | 100Ω 1/16W J  | 1   |       |
|      | R1612      | RK73HB1J181J  | MG RESISTOR | 180Ω 1/16W J  | 1   |       |
|      | R1613      | RK73HB1J181J  | MG RESISTOR | 180Ω 1/16W J  | 1   |       |
|      | R1614      | RK73HB1J181J  | MG RESISTOR | 180Ω 1/16W J  | 1   |       |
|      | R1615      | RK73HB1J181J  | MG RESISTOR | 180Ω 1/16W J  | 1   |       |
|      | R1616      | RK73HB1J181J  | MG RESISTOR | 180Ω 1/16W J  | 1   |       |
|      | R1617      | RK73HB1J181J  | MG RESISTOR | 180Ω 1/16W J  | 1   |       |
|      | R1618      | RK73HB1J181J  | MG RESISTOR | 180Ω 1/16W J  | 1   |       |
|      | R1619      | RK73HB1J181J  | MG RESISTOR | 180Ω 1/16W J  | 1   |       |
|      | R1620      | RK73HB1J101J  | MG RESISTOR | 100Ω 1/16W J  | 1   |       |
|      | R1621      | RK73HB1J101J  | MG RESISTOR | 100Ω 1/16W J  | 1   |       |
|      | R1622      | RK73HB1J101J  | MG RESISTOR | 100Ω 1/16W J  | 1   |       |
|      | R1623      | RK73HB1J101J  | MG RESISTOR | 100Ω 1/16W J  | 1   |       |
|      | R1624      | RK73HB1J101J  | MG RESISTOR | 100Ω 1/16W J  | 1   |       |
|      | R1625      | RK73HB1J101J  | MG RESISTOR | 100Ω 1/16W J  | 1   |       |
|      | R1626      | RK73HB1J101J  | MG RESISTOR | 100Ω 1/16W J  | 1   |       |
|      | R1627      | RK73HB1J181J  | MG RESISTOR | 180Ω 1/16W J  | 1   |       |
|      | R1628      | RK73HB1J101J  | MG RESISTOR | 100Ω 1/16W J  | 1   |       |
|      | R1645      | RK73HB1J000J  | MG RESISTOR | 0Ω 1/16W J    | 1   |       |
|      | R1646      | RK73HB1J101J  | MG RESISTOR | 100Ω 1/16W J  | 1   |       |
|      | R1647      | RK73HB1J222J  | MG RESISTOR | 2.2kΩ 1/16W J | 1   |       |
|      | R1653      | RK73HB1J330J  | MG RESISTOR | 33Ω 1/16W J   | 1   |       |
|      | R1654      | RK73HB1J330J  | MG RESISTOR | 33Ω 1/16W J   | 1   |       |
|      | R1655      | RK73HB1J330J  | MG RESISTOR | 33Ω 1/16W J   | 1   |       |
|      | R1656      | RK73HB1J121J  | MG RESISTOR | 120Ω 1/16W J  | 1   |       |
|      | R1665      | RK73HB1J152J  | MG RESISTOR | 1.5kΩ 1/16W J | 1   |       |
|      | R1666      | RK73HB1J105J  | MG RESISTOR | 1MΩ 1/16W J   | 1   |       |
|      | R1668      | RK73HB1J330J  | MG RESISTOR | 33Ω 1/16W J   | 1   |       |
|      | R1671      | RK73HB1J332J  | MG RESISTOR | 3.3kΩ 1/16W J | 1   |       |
|      | R1672      | RK73HB1J473J  | MG RESISTOR | 47kΩ 1/16W J  | 1   |       |
|      | R1674      | RK73HB1J181J  | MG RESISTOR | 180Ω 1/16W J  | 1   |       |
|      | R1677      | RK73HB1J223J  | MG RESISTOR | 22kΩ 1/16W J  | 1   |       |
|      | R1678      | RK73HB1J000J  | MG RESISTOR | 0Ω 1/16W J    | 1   |       |
|      | R1771      | RK73HB1J000J  | MG RESISTOR | 0Ω 1/16W J    | 1   |       |
|      | R1773      | RK73HB1J000J  | MG RESISTOR | 0Ω 1/16W J    | 1   |       |
|      | R1794      | RK73HB1J000J  | MG RESISTOR | 0Ω 1/16W J    | 1   |       |
|      | R1796      | RK73HB1J000J  | MG RESISTOR | 0Ω 1/16W J    | 1   |       |
|      | R1798      | RK73HB1J000J  | MG RESISTOR | 0Ω 1/16W J    | 1   |       |
|      | R1810      | RK73HB1J101J  | MG RESISTOR | 100Ω 1/16W J  | 1   |       |
|      | R1811      | RK73HB1J101J  | MG RESISTOR | 100Ω 1/16W J  | 1   |       |
|      | R1812      | RK73HB1J101J  | MG RESISTOR | 100Ω 1/16W J  | 1   |       |
|      | R1813      | RK73HB1J101J  | MG RESISTOR | 100Ω 1/16W J  | 1   |       |
|      | R1814      | RK73HB1J101J  | MG RESISTOR | 100Ω 1/16W J  | 1   |       |
|      | R1815      | RK73HB1J101J  | MG RESISTOR | 100Ω 1/16W J  | 1   |       |
|      | R1816      | RK73HB1J101J  | MG RESISTOR | 100Ω 1/16W J  | 1   |       |
|      | R1817      | RK73HB1J101J  | MG RESISTOR | 100Ω 1/16W J  | 1   |       |
|      | R1818      | RK73HB1J101J  | MG RESISTOR | 100Ω 1/16W J  | 1   |       |
|      | R1820      | RK73GH2A101D  | MG RESISTOR | 100Ω 1/10W D  | 1   |       |
|      | R1821      | RK73GH2A101D  | MG RESISTOR | 100Ω 1/10W D  | 1   |       |
|      | R1822      | RK73GH2A101D  | MG RESISTOR | 100Ω 1/10W D  | 1   |       |
|      | R1823      | RK73GH2A101D  | MG RESISTOR | 100Ω 1/10W D  | 1   |       |
|      | R1824      | RK73GH2A101D  | MG RESISTOR | 100Ω 1/10W D  | 1   |       |
|      | R1825      | RK73GH2A101D  | MG RESISTOR | 100Ω 1/10W D  | 1   |       |
|      | R1826      | RK73GH2A101D  | MG RESISTOR | 100Ω 1/10W D  | 1   |       |
|      | R1827      | RK73GH2A101D  | MG RESISTOR | 100Ω 1/10W D  | 1   |       |
|      | R1828      | RK73GH2A101D  | MG RESISTOR | 100Ω 1/10W D  | 1   |       |
|      | R1830      | RK73HH1J433D  | MG RESISTOR | 43kΩ 1/16W D  | 1   |       |
|      | R1831      | RK73HH1J913D  | MG RESISTOR | 91kΩ 1/16W D  | 1   |       |
|      | R1832      | RK73HH1J184D  | MG RESISTOR | 180kΩ 1/16W D | 1   |       |
|      | R1833      | RK73HH1J434D  | MG RESISTOR | 430kΩ 1/16W D | 1   |       |
|      | R1834      | RK73HH1J153D  | MG RESISTOR | 15kΩ 1/16W D  | 1   |       |
|      | R1835      | RK73HH1J153D  | MG RESISTOR | 15kΩ 1/16W D  | 1   |       |
|      | R1836      | RK73HB1J102J  | MG RESISTOR | 1kΩ 1/16W J   | 1   |       |
|      | R1837      | RK73GB2A472J  | MG RESISTOR | 4.7kΩ 1/10W J | 1   |       |
|      | R1838      | RK73GB2A472J  | MG RESISTOR | 4.7kΩ 1/10W J | 1   |       |

|            |      |        |      |           |      |           |      |
|------------|------|--------|------|-----------|------|-----------|------|
| MODEL      | MARK | MODEL  | MARK | MODEL     | MARK | MODEL     | MARK |
| DDX375BT   | K0   | DDX395 | K1   | DDX4018BT | E1   | DDX4018BT | X1   |
| DDX4018DAB | E2   |        |      |           |      |           |      |

| Safe | Symbol No. | Parts No.    | Parts Name  | Description   | QTY | Local |
|------|------------|--------------|-------------|---------------|-----|-------|
|      | R1839      | RK73HH1J620D | MG RESISTOR | 62Ω 1/16W D   | 1   |       |
|      | R1840      | RK73HH1J161D | MG RESISTOR | 160Ω 1/16W D  | 1   |       |
|      | R1841      | RK73HH1J430D | MG RESISTOR | 43Ω 1/16W D   | 1   |       |
|      | R1842      | RK73HH1J360D | MG RESISTOR | 36Ω 1/16W D   | 1   |       |
|      | R1843      | RK73HH1J101D | MG RESISTOR | 100Ω 1/16W D  | 1   |       |
|      | R1844      | RK73HH1J161D | MG RESISTOR | 160Ω 1/16W D  | 1   |       |
|      | R1845      | RK73HH1J101D | MG RESISTOR | 100Ω 1/16W D  | 1   |       |
|      | R1846      | RK73HH1J360D | MG RESISTOR | 36Ω 1/16W D   | 1   |       |
|      | R1847      | RK73HH1J430D | MG RESISTOR | 43Ω 1/16W D   | 1   |       |
|      | R1848      | RK73HH1J161D | MG RESISTOR | 160Ω 1/16W D  | 1   |       |
|      | R1849      | RK73HH1J101D | MG RESISTOR | 100Ω 1/16W D  | 1   |       |
|      | R1850      | RK73HB1J000J | MG RESISTOR | 0Ω 1/16W J    | 1   |       |
|      | R1857      | RK73HB1J000J | MG RESISTOR | 0Ω 1/16W J    | 1   |       |
|      | R1875      | RK73HB1J332J | MG RESISTOR | 3.3kΩ 1/16W J | 1   |       |
|      | R1876      | RK73HB1J473J | MG RESISTOR | 47kΩ 1/16W J  | 1   |       |
|      | R1877      | RK73GB2A331J | MG RESISTOR | 330Ω 1/10W J  | 1   |       |
|      | R1878      | RK73HB1J000J | MG RESISTOR | 0Ω 1/16W J    | 1   |       |
|      | R1879      | RK73HB1J473J | MG RESISTOR | 47kΩ 1/16W J  | 1   |       |
|      | R1880      | RK73HB1J105J | MG RESISTOR | 1MΩ 1/16W J   | 1   |       |
|      | R1881      | RK73HB1J332J | MG RESISTOR | 3.3kΩ 1/16W J | 1   |       |
|      | R1882      | RK73GH2A123D | MG RESISTOR | 12kΩ 1/10W D  | 1   |       |
|      | R1883      | RK73GH2A753D | MG RESISTOR | 75kΩ 1/10W D  | 1   |       |
|      | R1884      | RK73GH2A132D | MG RESISTOR | 1.3kΩ 1/10W D | 1   |       |
|      | R1885      | RK73HB1J471J | MG RESISTOR | 470Ω 1/16W J  | 1   |       |
|      | R1887      | RK73PB2H820J | MG RESISTOR | 82Ω 1/2W J    | 1   |       |
|      | R1888      | RK73PB2H820J | MG RESISTOR | 82Ω 1/2W J    | 1   |       |
|      | R1889      | RK73HB1J472J | MG RESISTOR | 4.7kΩ 1/16W J | 1   |       |
|      | R1890      | RK73HB1J104J | MG RESISTOR | 100kΩ 1/16W J | 1   |       |
|      | R1891      | RK73HH1J472D | MG RESISTOR | 4.7kΩ 1/16W D | 1   |       |
|      | R1892      | RK73HB1J000J | MG RESISTOR | 0Ω 1/16W J    | 1   |       |
|      | R1893      | RK73HH1J103D | MG RESISTOR | 10kΩ 1/16W D  | 1   |       |
|      | R1894      | RK73HB1J472J | MG RESISTOR | 4.7kΩ 1/16W J | 1   |       |
|      | R1895      | RK73HB1J000J | MG RESISTOR | 0Ω 1/16W J    | 1   |       |
|      | R1896      | RK73EB2E392J | MG RESISTOR | 3.9kΩ 1/4W J  | 1   |       |
|      | R1897      | RK73HB1J471J | MG RESISTOR | 470Ω 1/16W J  | 1   |       |
|      | R1898      | RK73HB1J183J | MG RESISTOR | 18kΩ 1/16W J  | 1   |       |
|      | R1899      | RK73HB1J183J | MG RESISTOR | 18kΩ 1/16W J  | 1   |       |
|      | R1900      | RK73HB1J470J | MG RESISTOR | 47Ω 1/16W J   | 1   |       |
|      | R1901      | RK73HB1J470J | MG RESISTOR | 47Ω 1/16W J   | 1   |       |
|      | R1902      | RK73HB1J470J | MG RESISTOR | 47Ω 1/16W J   | 1   |       |
|      | R1903      | RK73HB1J470J | MG RESISTOR | 47Ω 1/16W J   | 1   |       |
|      | R1904      | RK73HB1J470J | MG RESISTOR | 47Ω 1/16W J   | 1   |       |
|      | R1905      | RK73HB1J470J | MG RESISTOR | 47Ω 1/16W J   | 1   |       |
|      | R1906      | RK73HB1J470J | MG RESISTOR | 47Ω 1/16W J   | 1   |       |
|      | R1907      | RK73HB1J470J | MG RESISTOR | 47Ω 1/16W J   | 1   |       |
|      | R1908      | RK73HB1J470J | MG RESISTOR | 47Ω 1/16W J   | 1   |       |
|      | R1909      | RK73HB1J470J | MG RESISTOR | 47Ω 1/16W J   | 1   |       |
|      | R1910      | RK73HB1J470J | MG RESISTOR | 47Ω 1/16W J   | 1   |       |
|      | R1911      | RK73HB1J470J | MG RESISTOR | 47Ω 1/16W J   | 1   |       |
|      | R1912      | RK73HB1J470J | MG RESISTOR | 47Ω 1/16W J   | 1   |       |
|      | R1913      | RK73HB1J470J | MG RESISTOR | 47Ω 1/16W J   | 1   |       |
|      | R1914      | RK73GB2A470J | MG RESISTOR | 47Ω 1/10W J   | 1   |       |
|      | R1915      | RK73GB2A470J | MG RESISTOR | 47Ω 1/10W J   | 1   |       |
|      | R1916      | RK73HB1J470J | MG RESISTOR | 47Ω 1/16W J   | 1   |       |
|      | R1917      | RK73HB1J470J | MG RESISTOR | 47Ω 1/16W J   | 1   |       |
|      | R1918      | RK73HB1J470J | MG RESISTOR | 47Ω 1/16W J   | 1   |       |
|      | R1919      | RK73HB1J470J | MG RESISTOR | 47Ω 1/16W J   | 1   |       |
|      | R1920      | RK73HB1J470J | MG RESISTOR | 47Ω 1/16W J   | 1   |       |
|      | R1921      | RK73HB1J470J | MG RESISTOR | 47Ω 1/16W J   | 1   |       |
|      | R1922      | RK73HB1J470J | MG RESISTOR | 47Ω 1/16W J   | 1   |       |
|      | R1923      | RK73HB1J470J | MG RESISTOR | 47Ω 1/16W J   | 1   |       |
|      | R1924      | RK73HB1J470J | MG RESISTOR | 47Ω 1/16W J   | 1   |       |
|      | R1925      | RK73HB1J470J | MG RESISTOR | 47Ω 1/16W J   | 1   |       |
|      | R1926      | RK73HB1J470J | MG RESISTOR | 47Ω 1/16W J   | 1   |       |
|      | R1927      | RK73HB1J470J | MG RESISTOR | 47Ω 1/16W J   | 1   |       |
|      | R1928      | RK73HB1J470J | MG RESISTOR | 47Ω 1/16W J   | 1   |       |
|      | R1929      | RK73HB1J470J | MG RESISTOR | 47Ω 1/16W J   | 1   |       |
|      | R1930      | RK73HB1J470J | MG RESISTOR | 47Ω 1/16W J   | 1   |       |
|      | R1931      | RK73HB1J470J | MG RESISTOR | 47Ω 1/16W J   | 1   |       |
|      | R1932      | RK73HH1J470D | MG RESISTOR | 47Ω 1/16W D   | 1   |       |
|      | R1933      | RK73HB1J000J | MG RESISTOR | 0Ω 1/16W J    | 1   |       |
|      | R1934      | RK73HB1J103J | MG RESISTOR | 10kΩ 1/16W J  | 1   |       |
|      | R1958      | RK73HB1J470J | MG RESISTOR | 47Ω 1/16W J   | 1   |       |
|      | R1959      | RK73HB1J470J | MG RESISTOR | 47Ω 1/16W J   | 1   |       |
|      | R1960      | RK73HB1J470J | MG RESISTOR | 47Ω 1/16W J   | 1   |       |
|      | R1961      | RK73HB1J470J | MG RESISTOR | 47Ω 1/16W J   | 1   |       |
|      | R1962      | RK73HB1J470J | MG RESISTOR | 47Ω 1/16W J   | 1   |       |
|      | R1963      | RK73HB1J470J | MG RESISTOR | 47Ω 1/16W J   | 1   |       |
|      | R1964      | RK73HB1J470J | MG RESISTOR | 47Ω 1/16W J   | 1   |       |
|      | R1965      | RK73HB1J470J | MG RESISTOR | 47Ω 1/16W J   | 1   |       |
|      | R1966      | RK73HB1J470J | MG RESISTOR | 47Ω 1/16W J   | 1   |       |
|      | R1967      | RK73HB1J470J | MG RESISTOR | 47Ω 1/16W J   | 1   |       |
|      | R1968      | RK73HB1J470J | MG RESISTOR | 47Ω 1/16W J   | 1   |       |
|      | R1969      | RK73HB1J470J | MG RESISTOR | 47Ω 1/16W J   | 1   |       |
|      | R1970      | RK73HB1J470J | MG RESISTOR | 47Ω 1/16W J   | 1   |       |
|      | R1980      | RK73HB1J101J | MG RESISTOR | 100Ω 1/16W J  | 1   |       |
|      | R1981      | RK73HB1J101J | MG RESISTOR | 100Ω 1/16W J  | 1   |       |
|      | R1982      | RK73HB1J101J | MG RESISTOR | 100Ω 1/16W J  | 1   |       |
|      | R1983      | RK73HB1J101J | MG RESISTOR | 100Ω 1/16W J  | 1   |       |
|      | R1984      | RK73HB1J101J | MG RESISTOR | 100Ω 1/16W J  | 1   |       |

|            |      |        |      |           |      |           |      |
|------------|------|--------|------|-----------|------|-----------|------|
| MODEL      | MARK | MODEL  | MARK | MODEL     | MARK | MODEL     | MARK |
| DDX375BT   | K0   | DDX395 | K1   | DDX4018BT | E1   | DDX4018BT | X1   |
| DDX4018DAB | E2   |        |      |           |      |           |      |

| Safe | Symbol No. | Parts No.    | Parts Name  | Description   | QTY | Local |
|------|------------|--------------|-------------|---------------|-----|-------|
|      | R1985      | RK73HB1J101J | MG RESISTOR | 100Ω 1/16W J  | 1   |       |
|      | R1986      | RK73HB1J101J | MG RESISTOR | 100Ω 1/16W J  | 1   |       |
|      | R1987      | RK73HB1J101J | MG RESISTOR | 100Ω 1/16W J  | 1   |       |
|      | R1988      | RK73HB1J101J | MG RESISTOR | 100Ω 1/16W J  | 1   |       |
|      | R1989      | RK73HB1J101J | MG RESISTOR | 100Ω 1/16W J  | 1   |       |
|      | R1990      | RK73HB1J101J | MG RESISTOR | 100Ω 1/16W J  | 1   |       |
|      | R1991      | RK73HB1J101J | MG RESISTOR | 100Ω 1/16W J  | 1   |       |
|      | R2001      | RK73GB2A000J | MG RESISTOR | 0Ω 1/10W J    | 1   |       |
|      | R2003      | RK73HB1J101J | MG RESISTOR | 100Ω 1/16W J  | 1   |       |
|      | R2004      | RK73HB1J101J | MG RESISTOR | 100Ω 1/16W J  | 1   |       |
|      | R2005      | RK73HB1J181J | MG RESISTOR | 180Ω 1/16W J  | 1   |       |
|      | R2006      | RK73HB1J101J | MG RESISTOR | 100Ω 1/16W J  | 1   |       |
|      | R2007      | RK73HB1J101J | MG RESISTOR | 100Ω 1/16W J  | 1   |       |
|      | R2010      | RK73HB1J222J | MG RESISTOR | 2.2kΩ 1/16W J | 1   |       |
|      | R2011      | RK73GB2A222J | MG RESISTOR | 2.2kΩ 1/10W J | 1   |       |
|      | R2013      | RK73HB1J103J | MG RESISTOR | 10kΩ 1/16W J  | 1   |       |
|      | R2014      | RK73HB1J472J | MG RESISTOR | 4.7kΩ 1/16W J | 1   |       |
|      | R2015      | RK73HB1J103J | MG RESISTOR | 10kΩ 1/16W J  | 1   |       |
|      | R2016      | RK73HB1J103J | MG RESISTOR | 10kΩ 1/16W J  | 1   |       |
|      | R2017      | RK73HB1J103J | MG RESISTOR | 10kΩ 1/16W J  | 1   |       |
|      | R2022      | RK73HB1J222J | MG RESISTOR | 2.2kΩ 1/16W J | 1   |       |
|      | R2023      | RK73HB1J392J | MG RESISTOR | 3.9kΩ 1/16W J | 1   |       |
|      | R2024      | RK73HB1J392J | MG RESISTOR | 3.9kΩ 1/16W J | 1   |       |
|      | R2025      | RK73HB1J472J | MG RESISTOR | 4.7kΩ 1/16W J | 1   |       |
|      | R2029      | RK73HB1J103J | MG RESISTOR | 10kΩ 1/16W J  | 1   |       |
|      | R2030      | RK73HB1J101J | MG RESISTOR | 100Ω 1/16W J  | 1   |       |
|      | R2035      | RK73HB1J101J | MG RESISTOR | 100Ω 1/16W J  | 1   |       |
|      | R2036      | RK73HB1J101J | MG RESISTOR | 100Ω 1/16W J  | 1   |       |
|      | R2038      | RK73HB1J000J | MG RESISTOR | 0Ω 1/16W J    | 1   |       |
|      | R2041      | RK73HB1J472J | MG RESISTOR | 4.7kΩ 1/16W J | 1   |       |
|      | R2042      | RK73HB1J103J | MG RESISTOR | 10kΩ 1/16W J  | 1   |       |
|      | R2043      | RK73HB1J101J | MG RESISTOR | 100Ω 1/16W J  | 1   |       |
|      | R2048      | RK73HB1J101J | MG RESISTOR | 100Ω 1/16W J  | 1   |       |
|      | R2058      | RK73HB1J103J | MG RESISTOR | 10kΩ 1/16W J  | 1   |       |
|      | R2061      | RK73HB1J330J | MG RESISTOR | 33Ω 1/16W J   | 1   |       |
|      | R2062      | RK73HB1J330J | MG RESISTOR | 33Ω 1/16W J   | 1   |       |
|      | R2063      | RK73HB1J330J | MG RESISTOR | 33Ω 1/16W J   | 1   |       |
|      | R2064      | RK73HB1J330J | MG RESISTOR | 33Ω 1/16W J   | 1   |       |
|      | R2065      | RK73HB1J330J | MG RESISTOR | 33Ω 1/16W J   | 1   |       |
|      | R2066      | RK73HB1J330J | MG RESISTOR | 33Ω 1/16W J   | 1   |       |
|      | R2067      | RK73HB1J330J | MG RESISTOR | 33Ω 1/16W J   | 1   |       |
|      | R2068      | RK73HB1J330J | MG RESISTOR | 33Ω 1/16W J   | 1   |       |
|      | R2069      | RK73HB1J222J | MG RESISTOR | 2.2kΩ 1/16W J | 1   |       |
|      | R2074      | RK73HB1J330J | MG RESISTOR | 33Ω 1/16W J   | 1   |       |
|      | R2075      | RK73HB1J330J | MG RESISTOR | 33Ω 1/16W J   | 1   |       |
|      | R2076      | RK73HB1J330J | MG RESISTOR | 33Ω 1/16W J   | 1   |       |
|      | R2077      | RK73HB1J103J | MG RESISTOR | 10kΩ 1/16W J  | 1   |       |
|      | R2081      | RK73HB1J330J | MG RESISTOR | 33Ω 1/16W J   | 1   |       |
|      | R2082      | RK73HB1J330J | MG RESISTOR | 33Ω 1/16W J   | 1   |       |
|      | R2083      | RK73HB1J330J | MG RESISTOR | 33Ω 1/16W J   | 1   |       |
|      | R2084      | RK73HB1J330J | MG RESISTOR | 33Ω 1/16W J   | 1   |       |
|      | R2086      | RK73HB1J332J | MG RESISTOR | 3.3kΩ 1/16W J | 1   |       |
|      | R2087      | RK73HB1J332J | MG RESISTOR | 3.3kΩ 1/16W J | 1   |       |
|      | R2088      | RK73HB1J332J | MG RESISTOR | 3.3kΩ 1/16W J | 1   |       |
|      | R2090      | RK73HB1J101J | MG RESISTOR | 100Ω 1/16W J  | 1   |       |
|      | R2091      | RK73HB1J101J | MG RESISTOR | 100Ω 1/16W J  | 1   |       |
|      | R2092      | RK73HB1J332J | MG RESISTOR | 3.3kΩ 1/16W J | 1   |       |
|      | R2093      | RK73HB1J000J | MG RESISTOR | 0Ω 1/16W J    | 1   |       |
|      | R2094      | RK73HB1J000J | MG RESISTOR | 0Ω 1/16W J    | 1   |       |
|      | R2099      | RK73HB1J393J | MG RESISTOR | 39kΩ 1/16W J  | 1   |       |
|      | R2100      | RK73HB1J823J | MG RESISTOR | 82kΩ 1/16W J  | 1   |       |
|      | R2101      | RK73HB1J103J | MG RESISTOR | 10kΩ 1/16W J  | 1   |       |
|      | R2102      | RK73HB1J103J | MG RESISTOR | 10kΩ 1/16W J  | 1   |       |
|      | R2103      | RK73HB1J103J | MG RESISTOR | 10kΩ 1/16W J  | 1   |       |
|      | R2104      | RK73HB1J101J | MG RESISTOR | 100Ω 1/16W J  | 1   |       |
|      | R2105      | RK73HB1J101J | MG RESISTOR | 100Ω 1/16W J  | 1   |       |
|      | R2106      | RK73HB1J101J | MG RESISTOR | 100Ω 1/16W J  | 1   |       |
|      | R2107      | RK73HB1J103J | MG RESISTOR | 10kΩ 1/16W J  | 1   |       |
|      | R2108      | RK73HB1J302J | MG RESISTOR | 3kΩ 1/16W J   | 1   |       |
|      | R2109      | RK73HB1J101J | MG RESISTOR | 100Ω 1/16W J  | 1   |       |
|      | R2114      | RK73HB1J181J | MG RESISTOR | 180Ω 1/16W J  | 1   |       |
|      | R2115      | RK73HB1J181J | MG RESISTOR | 180Ω 1/16W J  | 1   |       |
|      | R2117      | RK73HB1J105J | MG RESISTOR | 1MΩ 1/16W J   | 1   |       |
|      | R2118      | RK73HB1J000J | MG RESISTOR | 0Ω 1/16W J    | 1   |       |
|      | R2120      | RK73HB1J101J | MG RESISTOR | 100Ω 1/16W J  | 1   |       |
|      | R2121      | RK73HB1J101J | MG RESISTOR | 100Ω 1/16W J  | 1   |       |
|      | R2126      | RK73HB1J271J | MG RESISTOR | 270Ω 1/16W J  | 1   |       |
|      | R2127      | RK73HB1J181J | MG RESISTOR | 180Ω 1/16W J  | 1   |       |
|      | R2128      | RK73HB1J181J | MG RESISTOR | 180Ω 1/16W J  | 1   |       |
|      | R2129      | RK73HB1J181J | MG RESISTOR | 180Ω 1/16W J  | 1   |       |
|      | R2130      | RK73HB1J181J | MG RESISTOR | 180Ω 1/16W J  | 1   |       |
|      | R2131      | RK73HB1J181J | MG RESISTOR | 180Ω 1/16W J  | 1   |       |
|      | R2133      | RK73HB1J101J | MG RESISTOR | 100Ω 1/16W J  | 1   |       |
|      | R2134      | RK73HB1J102J | MG RESISTOR | 1kΩ 1/16W J   | 1   |       |
|      | R2136      | RK73HB1J181J | MG RESISTOR | 180Ω 1/16W J  | 1   |       |
|      | R2137      | RK73HB1J181J | MG RESISTOR | 180Ω 1/16W J  | 1   |       |
|      | R2138      | RK73HB1J181J | MG RESISTOR | 180Ω 1/16W J  | 1   |       |
|      | R2139      | RK73HB1J000J | MG RESISTOR | 0Ω 1/16W J    | 1   |       |
|      | R2140      | RK73HB1J181J | MG RESISTOR | 180Ω 1/16W J  | 1   |       |
|      | R2141      | RK73HB1J181J | MG RESISTOR | 180Ω 1/16W J  | 1   |       |

|            |      |        |      |           |      |           |      |
|------------|------|--------|------|-----------|------|-----------|------|
| MODEL      | MARK | MODEL  | MARK | MODEL     | MARK | MODEL     | MARK |
| DDX375BT   | K0   | DDX395 | K1   | DDX4018BT | E1   | DDX4018BT | X1   |
| DDX4018DAB | E2   |        |      |           |      |           |      |

| Safe                                  | Symbol No. | Parts No.     | Parts Name     | Description  | QTY | Local    |
|---------------------------------------|------------|---------------|----------------|--------------|-----|----------|
|                                       | R2142      | RK73HB1J181J  | MG RESISTOR    | 180Ω 1/16W J | 1   |          |
|                                       | R2143      | RK73HB1J181J  | MG RESISTOR    | 180Ω 1/16W J | 1   |          |
|                                       | R2145      | RK73HB1J101J  | MG RESISTOR    | 100Ω 1/16W J | 1   |          |
|                                       | R2147      | RK73HB1J103J  | MG RESISTOR    | 10kΩ 1/16W J | 1   |          |
|                                       | R2150      | RK73HB1J181J  | MG RESISTOR    | 180Ω 1/16W J | 1   |          |
|                                       | R2151      | RK73HB1J181J  | MG RESISTOR    | 180Ω 1/16W J | 1   |          |
|                                       | R2152      | RK73HB1J181J  | MG RESISTOR    | 180Ω 1/16W J | 1   |          |
|                                       | R2153      | RK73HB1J181J  | MG RESISTOR    | 180Ω 1/16W J | 1   |          |
|                                       | R2154      | RK73HB1J181J  | MG RESISTOR    | 180Ω 1/16W J | 1   |          |
|                                       | R2155      | RK73HB1J181J  | MG RESISTOR    | 180Ω 1/16W J | 1   |          |
|                                       | R2157      | RK73HB1J000J  | MG RESISTOR    | 0Ω 1/16W J   | 1   |          |
|                                       | R2160      | RK73HB1J101J  | MG RESISTOR    | 100Ω 1/16W J | 1   |          |
|                                       | R2161      | RK73HB1J101J  | MG RESISTOR    | 100Ω 1/16W J | 1   |          |
|                                       | R2164      | RK73HB1J473J  | MG RESISTOR    | 47kΩ 1/16W J | 1   |          |
|                                       | R2201      | RK73GB2A1R6J  | MG RESISTOR    | 1.6Ω 1/10W J | 1   |          |
|                                       | R2202      | RK73GB2A1R6J  | MG RESISTOR    | 1.6Ω 1/10W J | 1   |          |
|                                       | R2203      | RK73GB2A1R6J  | MG RESISTOR    | 1.6Ω 1/10W J | 1   |          |
|                                       | R2204      | RK73GB2A1R6J  | MG RESISTOR    | 1.6Ω 1/10W J | 1   |          |
|                                       | R2205      | RK73GB2A1R6J  | MG RESISTOR    | 1.6Ω 1/10W J | 1   |          |
|                                       | R2206      | RK73GB2A1R6J  | MG RESISTOR    | 1.6Ω 1/10W J | 1   |          |
|                                       | R2207      | RK73GB2A1R6J  | MG RESISTOR    | 1.6Ω 1/10W J | 1   |          |
|                                       | R2208      | RK73GB2A1R6J  | MG RESISTOR    | 1.6Ω 1/10W J | 1   |          |
|                                       | R2209      | RK73GB2A1R6J  | MG RESISTOR    | 1.6Ω 1/10W J | 1   |          |
|                                       | R2210      | RK73GB2A1R6J  | MG RESISTOR    | 1.6Ω 1/10W J | 1   |          |
|                                       | R2211      | RK73GB2A1R6J  | MG RESISTOR    | 1.6Ω 1/10W J | 1   |          |
|                                       | R2212      | RK73GB2A1R6J  | MG RESISTOR    | 1.6Ω 1/10W J | 1   |          |
|                                       | R2213      | RK73GB2A1R6J  | MG RESISTOR    | 1.6Ω 1/10W J | 1   |          |
|                                       | R2214      | RK73GB2A1R6J  | MG RESISTOR    | 1.6Ω 1/10W J | 1   |          |
|                                       | R2215      | RK73GB2A1R6J  | MG RESISTOR    | 1.6Ω 1/10W J | 1   |          |
|                                       | R2216      | RK73GB2A1R8J  | MG RESISTOR    | 1.8Ω 1/10W J | 1   |          |
|                                       | R2217      | RK73GB2A1R8J  | MG RESISTOR    | 1.8Ω 1/10W J | 1   |          |
|                                       | R2218      | RK73GB2A1R8J  | MG RESISTOR    | 1.8Ω 1/10W J | 1   |          |
|                                       | R2219      | RK73GB2A1R8J  | MG RESISTOR    | 1.8Ω 1/10W J | 1   |          |
|                                       | R2220      | RK73GB2A1R8J  | MG RESISTOR    | 1.8Ω 1/10W J | 1   |          |
|                                       | R2221      | RK73GB2A1R8J  | MG RESISTOR    | 1.8Ω 1/10W J | 1   |          |
|                                       | R2222      | RK73GB2A1R8J  | MG RESISTOR    | 1.8Ω 1/10W J | 1   |          |
|                                       | R2223      | RK73GB2A1R8J  | MG RESISTOR    | 1.8Ω 1/10W J | 1   |          |
|                                       | R2224      | RK73GB2A1R8J  | MG RESISTOR    | 1.8Ω 1/10W J | 1   |          |
|                                       | R2225      | RK73GB2A1R8J  | MG RESISTOR    | 1.8Ω 1/10W J | 1   |          |
|                                       | R2226      | RK73GB2A1R8J  | MG RESISTOR    | 1.8Ω 1/10W J | 1   |          |
|                                       | R2227      | RK73GB2A1R8J  | MG RESISTOR    | 1.8Ω 1/10W J | 1   |          |
|                                       | R2228      | RK73GB2A1R8J  | MG RESISTOR    | 1.8Ω 1/10W J | 1   |          |
|                                       | R2229      | RK73GB2A1R8J  | MG RESISTOR    | 1.8Ω 1/10W J | 1   |          |
|                                       | R2230      | RK73GB2A1R8J  | MG RESISTOR    | 1.8Ω 1/10W J | 1   |          |
|                                       | L1551      | LB73G0BK-006  | CHIP FERRITE   |              | 1   |          |
|                                       | L1601      | LB73G0BK-003  | CHIP FERRITE   |              | 1   |          |
|                                       | L1602      | LB73G0BK-003  | CHIP FERRITE   |              | 1   |          |
|                                       | L1603      | LB73G0BK-003  | CHIP FERRITE   |              | 1   |          |
|                                       | L1604      | LB73G0BK-003  | CHIP FERRITE   |              | 1   |          |
|                                       | L1626      | LB73H0CC-003  | CHIP FERRITE   |              | 1   |          |
|                                       | L1627      | LB73H0CC-004  | CHIP FERRITE   |              | 1   |          |
|                                       | L2001      | LR73Z0AD4R7M  | CHIP INDUCTOR  | 4.7uH        | 1   |          |
|                                       | L2002      | RK73HB1J390J  | MG RESISTOR    | 39Ω 1/16W J  | 1   |          |
|                                       | L2003      | LB73H0CC-003  | CHIP FERRITE   |              | 1   |          |
|                                       | L2070      | LB73H0BG-003  | CHIP FERRITE   |              | 1   |          |
|                                       | L2071      | LB73H0BG-003  | CHIP FERRITE   |              | 1   |          |
|                                       | L2072      | LB73H0BG-003  | CHIP FERRITE   |              | 1   |          |
|                                       | L2073      | LB73H0BG-003  | CHIP FERRITE   |              | 1   |          |
|                                       | CN1771     | EC720AA-0515A | FFC FPC CONNE  |              | 1   |          |
|                                       | CN1790     | EC710AU-1004A | FFC FPC CONNE  |              | 1   |          |
|                                       | CN1800     | EC720AA-0560A | FFC FPC CONNE  |              | 1   |          |
|                                       | CN1805     | QGA3501F1-02X | CONNECTOR      | W-B (1-2)    | 1   |          |
|                                       | CN1980     | EC720AA-0522A | FFC FPC CONNE  |              | 1   |          |
|                                       | CN2000     | EC720CF-0560A | FFC FPC CONNE  |              | 1   |          |
|                                       | X1600      | L7J-0101-00   | QUARTZ CRYSTAL |              | 1   |          |
|                                       | X2000      | L7J-0092-00   | QUARTZ CRYSTAL |              | 1   |          |
| DAUGHTER PWB ASSY (XJF-016x-0x) <XJF> |            |               |                |              |     |          |
|                                       | D1         | UDZV6.8B      | ZENER DIODE    |              | 1   |          |
|                                       | C9         | CK73HXR1C104K | C CAPACITOR    | 0.1uF 16V K  | 1   |          |
|                                       | C18        | CK73HXR1H102K | C CAPACITOR    | 1000pF 50V K | 1   |          |
|                                       | C19        | CK73HXR1H102K | C CAPACITOR    | 1000pF 50V K | 1   |          |
|                                       | C20        | CK73HXR1H102K | C CAPACITOR    | 1000pF 50V K | 1   |          |
|                                       | C21        | CK73HXR1H102K | C CAPACITOR    | 1000pF 50V K | 1   |          |
|                                       | C22        | CK73GXR1C105K | C CAPACITOR    | 1uF 16V K    | 1   |          |
|                                       | C23        | CK73GXR0J106K | C CAPACITOR    | 10uF 6.3V K  | 1   |          |
|                                       | C24        | CK73GXR1C105K | C CAPACITOR    | 1uF 16V K    | 1   |          |
|                                       | C25        | CK73GXR1C104K | C CAPACITOR    | 0.1uF 10V K  | 1   | E1,X1,E2 |
|                                       | R20        | RK73GB2A101J  | MG RESISTOR    | 100Ω 1/10W J | 1   |          |
|                                       | R21        | RK73HB1J220J  | MG RESISTOR    | 22Ω 1/16W J  | 1   | K0,K1    |
|                                       | R22        | RK73HB1J220J  | MG RESISTOR    | 22Ω 1/16W J  | 1   | K0,K1    |
|                                       | R23        | RK73GB2A101J  | MG RESISTOR    | 100Ω 1/10W J | 1   |          |
|                                       | R24        | RK73GB2A102J  | MG RESISTOR    | 1kΩ 1/10W J  | 1   |          |
|                                       | R25        | RK73GB2A101J  | MG RESISTOR    | 100Ω 1/10W J | 1   |          |
|                                       | R26        | RK73GB2A100J  | MG RESISTOR    | 10Ω 1/10W J  | 1   |          |
|                                       | R27        | RK73GB2A4R7J  | MG RESISTOR    | 4.7Ω 1/10W J | 1   |          |
|                                       | R28        | RK73GB2A100J  | MG RESISTOR    | 10Ω 1/10W J  | 1   |          |
|                                       | R29        | RK73GB2A100J  | MG RESISTOR    | 10Ω 1/10W J  | 1   | E1,X1,E2 |
|                                       | R31        | RK73GB2A101J  | MG RESISTOR    | 100Ω 1/10W J | 1   | E1,X1,E2 |
|                                       | R33        | RK73GB2A101J  | MG RESISTOR    | 100Ω 1/10W J | 1   | E1,X1,E2 |
|                                       | R35        | RK73GB2A101J  | MG RESISTOR    | 100Ω 1/10W J | 1   | E1,X1,E2 |
|                                       | R36        | RK73HH1J750D  | MG RESISTOR    | 75Ω 1/16W D  | 1   | E1,X1,E2 |

| MODEL      | MARK | MODEL  | MARK | MODEL     | MARK | MODEL     | MARK |
|------------|------|--------|------|-----------|------|-----------|------|
| DDX375BT   | K0   | DDX395 | K1   | DDX4018BT | E1   | DDX4018BT | X1   |
| DDX4018DAB | E2   |        |      |           |      |           |      |

| Safe  | Symbol No. | Parts No.     | Parts Name    | Description  | QTY | Local    |
|---|------------|---------------|---------------|--------------|-----|----------|
|   | R37        | RK73HH1J750D  | MG RESISTOR   | 75Ω 1/16W D  | 1   | E1,X1,E2 |
|   | R38        | RK73HH1J750D  | MG RESISTOR   | 75Ω 1/16W D  | 1   | E1,X1,E2 |
|   | R39        | RK73HH1J750D  | MG RESISTOR   | 75Ω 1/16W D  | 1   | E1,X1,E2 |
|   | R41        | CK73HXR1A105K | C CAPACITOR   | 1uF 10V K    | 1   | K0,K1    |
|   | R42        | CK73HXR1A105K | C CAPACITOR   | 1uF 10V K    | 1   | K0,K1    |
|   | R43        | CK73HXR1A105K | C CAPACITOR   | 1uF 10V K    | 1   | K0,K1    |
|   | R44        | RK73GB2A101J  | MG RESISTOR   | 100Ω 1/10W J | 1   | E1,X1,E2 |
|   | R45        | RK73GB2A101J  | MG RESISTOR   | 100Ω 1/10W J | 1   | E1,X1,E2 |
|   | R46        | RK73GB2A100J  | MG RESISTOR   | 10Ω 1/10W J  | 1   | K0,K1    |
|   | R46        | RK73GB2A000J  | MG RESISTOR   | 0Ω 1/10W J   | 1   | E1,X1,E2 |
|   | R47        | RK73HB1J000J  | MG RESISTOR   | 0Ω 1/16W J   | 1   | K0,K1    |
|   | R48        | RK73HB1J000J  | MG RESISTOR   | 0Ω 1/16W J   | 1   | K0,K1    |
|   | CN1        | QGA2501C1-02  | W TO B CONNE  | W-B (1-2)    | 1   | K0,K1    |
|   | CN3        | EC720AA-0526A | FFC FPC CONNE |              | 1   | K0,K1    |
|   | CN4        | EC720AA-0522A | FFC FPC CONNE |              | 1   | E1,X1,E2 |
|   | CN5        | EA120CK-2004A | W TO B CONNE  |              | 1   | K0,K1    |
| △   | F1         | F53-0513-08   | PATTERN FUSE  | 4A           | 1   |          |
| △   | F3         | F53-0513-08   | PATTERN FUSE  | 4A           | 1   |          |
| △   | F4         | F53-0513-08   | PATTERN FUSE  | 4A           | 1   |          |
|   | J2         | QNZ0907-001   | CIR CONNECTOR |              | 1   | K0,K1    |
|   | J3         | QND0162-001   | DIN CONNECTOR |              | 1   | E1,X1,E2 |
|   | J4         | QNS0307-001   | 3.5 JACK      |              | 1   |          |
|   | VA2        | SDV1005E18//1 | VARIATOR      |              | 1   | K0,K1    |
|   | VA3        | SDV1005E18//1 | VARIATOR      |              | 1   | K0,K1    |
|   | VA4        | SDV1005E18//1 | VARIATOR      |              | 1   |          |
|   | VA5        | SDV1005E18//1 | VARIATOR      |              | 1   |          |
|   | VA6        | SDV1005A14//0 | VARIATOR      |              | 1   |          |
|   | VA7        | SDV1005A14//0 | VARIATOR      |              | 1   |          |
|   | VA8        | SDV1005A14//0 | VARIATOR      |              | 1   |          |
|   | VA9        | SDV1005A14//0 | VARIATOR      |              | 1   |          |
|   | VA10       | SDV1005E18//1 | VARIATOR      |              | 1   | E1,X1,E2 |
|   | VA11       | SDV1005E18//1 | VARIATOR      |              | 1   | E1,X1,E2 |
|   | VA12       | SDV1005E18//1 | VARIATOR      |              | 1   | E1,X1,E2 |
|   | VA13       | SDV1005E18//1 | VARIATOR      |              | 1   | E1,X1,E2 |
|   | VA14       | SDV1005A14//0 | VARIATOR      |              | 1   |          |
|   | VA15       | SDV1005A14//0 | VARIATOR      |              | 1   |          |
| <b>DAB TUNER PWB ASSY (XJM-0132-72) &lt;XJM&gt;</b> |            |               |               |              |     |          |
|   | IC1        | SI4763-A42-GM | MOS IC        |              | 1   | E2       |
|   | IC2        | MTV301CQ      | MOS IC        |              | 1   | E2       |
|   | IC3        | GL3511SB169   | MOS IC        |              | 1   | E2       |
|   | IC4        | W3F-0021-00   | ROM IC        |              | 1   | E2       |
|   | IC5        | XC6213B122N-G | MOS IC        |              | 1   | E2       |
|   | IC6        | XC6213B182N-G | MOS IC        |              | 1   | E2       |
|   | IC7        | XC6213B182N-G | MOS IC        |              | 1   | E2       |
|   | C1         | CC73HCH1H270J | C CAPACITOR   | 27pF 50V J   | 1   | E2       |
|   | C2         | CC73HCH1H390J | C CAPACITOR   | 39pF 50V J   | 1   | E2       |
|   | C3         | CK73HBB1H102K | C CAPACITOR   | 1000pF 50V K | 1   | E2       |
|   | C4         | CK73HBB1H222K | C CAPACITOR   | 2200pF 50V K | 1   | E2       |
|   | C5         | CK73HBB1H103K | C CAPACITOR   | 0.01uF 50V K | 1   | E2       |
|   | C6         | CC73HCH1H010C | C CAPACITOR   | 1pF 50V C    | 1   | E2       |
|   | C7         | CC73HCH1H050C | C CAPACITOR   | 5pF 50V C    | 1   | E2       |
|   | C10        | CK73HBB1C104K | C CAPACITOR   | 0.1uF 16V K  | 1   | E2       |
|   | C13        | CK73HBB1H102K | C CAPACITOR   | 1000pF 50V K | 1   | E2       |
|   | C14        | CK73HBB1H222K | C CAPACITOR   | 2200pF 50V K | 1   | E2       |
|   | C15        | CK73FXR1C106K | C CAPACITOR   | 10uF 16V K   | 1   | E2       |
|   | C16        | CK73HBB1H222K | C CAPACITOR   | 2200pF 50V K | 1   | E2       |
|   | C17        | CK73HBB1H222K | C CAPACITOR   | 2200pF 50V K | 1   | E2       |
|   | C18        | CC73HCH1H101J | C CAPACITOR   | 100pF 50V J  | 1   | E2       |
|   | C19        | CK73HBB1H222K | C CAPACITOR   | 2200pF 50V K | 1   | E2       |
|   | C20        | CK73HBB1C104K | C CAPACITOR   | 0.1uF 16V K  | 1   | E2       |
|   | C21        | CK73GXR1C105K | C CAPACITOR   | 1uF 16V K    | 1   | E2       |
|   | C22        | CK73GXR1C105K | C CAPACITOR   | 1uF 16V K    | 1   | E2       |
|   | C23        | CK73HBB1H682K | C CAPACITOR   | 6800pF 50V K | 1   | E2       |
|   | C24        | CK73HBB1H682K | C CAPACITOR   | 6800pF 50V K | 1   | E2       |
|   | C25        | CK73FXR1C106K | C CAPACITOR   | 10uF 16V K   | 1   | E2       |
|   | C26        | CC73HCH1H150J | C CAPACITOR   | 15pF 50V J   | 1   | E2       |
|   | C27        | CC73HCH1H100D | C CAPACITOR   | 10pF 50V D   | 1   | E2       |
|   | C28        | CC73HCH1H180J | C CAPACITOR   | 18pF 50V J   | 1   | E2       |
|   | C29        | CK73HBB1C104K | C CAPACITOR   | 0.1uF 16V K  | 1   | E2       |
|   | C30        | CK73HBB1C104K | C CAPACITOR   | 0.1uF 16V K  | 1   | E2       |
|   | C31        | CK73HBB1C104K | C CAPACITOR   | 0.1uF 16V K  | 1   | E2       |
|   | C32        | CK73HBB1C104K | C CAPACITOR   | 0.1uF 16V K  | 1   | E2       |
|   | C33        | CK73HBB1C104K | C CAPACITOR   | 0.1uF 16V K  | 1   | E2       |
|   | C36        | CC73HCH1H060D | C CAPACITOR   | 6pF 50V D    | 1   | E2       |
|   | C37        | CC73HCH1H060D | C CAPACITOR   | 6pF 50V D    | 1   | E2       |
|   | C38        | CK73HBB1C104K | C CAPACITOR   | 0.1uF 16V K  | 1   | E2       |
|   | C39        | CK73FXR1C106K | C CAPACITOR   | 10uF 16V K   | 1   | E2       |
|   | C41        | CK73HBB1C104K | C CAPACITOR   | 0.1uF 16V K  | 1   | E2       |
|   | C42        | CC73HCH1H080D | C CAPACITOR   | 8pF 50V D    | 1   | E2       |
|   | C43        | CC73HCH1H030C | C CAPACITOR   | 3pF 50V C    | 1   | E2       |
|   | C44        | CC73HCH1H330J | C CAPACITOR   | 33pF 50V J   | 1   | E2       |
|   | C45        | CK73HBB1C104K | C CAPACITOR   | 0.1uF 16V K  | 1   | E2       |
|   | C46        | CC73HCH1H680J | C CAPACITOR   | 68pF 50V J   | 1   | E2       |
|   | C47        | CK73HBB1H102K | C CAPACITOR   | 1000pF 50V K | 1   | E2       |
|   | C48        | CK73HBB1C104K | C CAPACITOR   | 0.1uF 16V K  | 1   | E2       |
|   | C49        | CK73HBB1C104K | C CAPACITOR   | 0.1uF 16V K  | 1   | E2       |
|   | C50        | CK73HBB1C104K | C CAPACITOR   | 0.1uF 16V K  | 1   | E2       |
|   | C51        | CK73HBB1C104K | C CAPACITOR   | 0.1uF 16V K  | 1   | E2       |
|   | C52        | CK73HBB1C104K | C CAPACITOR   | 0.1uF 16V K  | 1   | E2       |
|   | C53        | CK73HBB1C104K | C CAPACITOR   | 0.1uF 16V K  | 1   | E2       |
|   | C54        | CK73HBB1C104K | C CAPACITOR   | 0.1uF 16V K  | 1   | E2       |
|   | C55        | CK73HBB1C104K | C CAPACITOR   | 0.1uF 16V K  | 1   | E2       |

|            |      |        |      |           |      |           |      |
|------------|------|--------|------|-----------|------|-----------|------|
| MODEL      | MARK | MODEL  | MARK | MODEL     | MARK | MODEL     | MARK |
| DDX375BT   | K0   | DDX395 | K1   | DDX4018BT | E1   | DDX4018BT | X1   |
| DDX4018DAB | E2   |        |      |           |      |           |      |

| Safe | Symbol No. | Parts No.     | Parts Name  | Description   | QTY | Local |
|------|------------|---------------|-------------|---------------|-----|-------|
|      | C56        | CK73HBB1C104K | C CAPACITOR | 0.1uF 16V K   | 1   | E2    |
|      | C57        | CK73HBB1C104K | C CAPACITOR | 0.1uF 16V K   | 1   | E2    |
|      | C58        | CK73HBB1C104K | C CAPACITOR | 0.1uF 16V K   | 1   | E2    |
|      | C59        | CK73HBB1C104K | C CAPACITOR | 0.1uF 16V K   | 1   | E2    |
|      | C60        | CK73HBB1C104K | C CAPACITOR | 0.1uF 16V K   | 1   | E2    |
|      | C61        | CK73HBB1C104K | C CAPACITOR | 0.1uF 16V K   | 1   | E2    |
|      | C62        | CK73HBB1C104K | C CAPACITOR | 0.1uF 16V K   | 1   | E2    |
|      | C63        | CK73HBB1C104K | C CAPACITOR | 0.1uF 16V K   | 1   | E2    |
|      | C64        | CK73HBB1C104K | C CAPACITOR | 0.1uF 16V K   | 1   | E2    |
|      | C65        | CK73HBB1C104K | C CAPACITOR | 0.1uF 16V K   | 1   | E2    |
|      | C66        | CK73HBB1C104K | C CAPACITOR | 0.1uF 16V K   | 1   | E2    |
|      | C67        | CK73HBB1C104K | C CAPACITOR | 0.1uF 16V K   | 1   | E2    |
|      | C68        | CK73HBB1C104K | C CAPACITOR | 0.1uF 16V K   | 1   | E2    |
|      | C69        | CK73HBB1C104K | C CAPACITOR | 0.1uF 16V K   | 1   | E2    |
|      | C70        | CK73HBB1C104K | C CAPACITOR | 0.1uF 16V K   | 1   | E2    |
|      | C71        | CK73HBB1C104K | C CAPACITOR | 0.1uF 16V K   | 1   | E2    |
|      | C72        | CK73HBB1C104K | C CAPACITOR | 0.1uF 16V K   | 1   | E2    |
|      | C73        | CK73HBB1C104K | C CAPACITOR | 0.1uF 16V K   | 1   | E2    |
|      | C74        | CK73HBB1C104K | C CAPACITOR | 0.1uF 16V K   | 1   | E2    |
|      | C75        | CK73HBB1H102K | C CAPACITOR | 1000pF 50V K  | 1   | E2    |
|      | C76        | CK73GXR0J475K | C CAPACITOR | 4.7uF 6.3V K  | 1   | E2    |
|      | C77        | CK73FXR1C106K | C CAPACITOR | 10uF 16V K    | 1   | E2    |
|      | C78        | CK73GXR1C225K | C CAPACITOR | 2.2uF 16V K   | 1   | E2    |
|      | C79        | CK73FXR0J226M | C CAPACITOR | 22uF 6.3V M   | 1   | E2    |
|      | C80        | CK73GXR1C225K | C CAPACITOR | 2.2uF 16V K   | 1   | E2    |
|      | C81        | CK73FXR1C106K | C CAPACITOR | 10uF 16V K    | 1   | E2    |
|      | C82        | CC73HCH1H100D | C CAPACITOR | 10pF 50V D    | 1   | E2    |
|      | C86        | CC73HCH1H100D | C CAPACITOR | 10pF 50V D    | 1   | E2    |
|      | C96        | CC73HCH1H221J | C CAPACITOR | 220pF 50V J   | 1   | E2    |
|      | C97        | CC73HCH1H100D | C CAPACITOR | 10pF 50V D    | 1   | E2    |
|      | R1         | RK73HB1J474J  | MG RESISTOR | 470kΩ 1/16W J | 1   | E2    |
|      | R2         | RK73HB1J474J  | MG RESISTOR | 470kΩ 1/16W J | 1   | E2    |
|      | R3         | RK73HB1J471J  | MG RESISTOR | 470Ω 1/16W J  | 1   | E2    |
|      | R5         | RK73HB1J000J  | MG RESISTOR | 0Ω 1/16W J    | 1   | E2    |
|      | R6         | RK73HB1J240J  | MG RESISTOR | 24Ω 1/16W J   | 1   | E2    |
|      | R13        | RK73HB1J470J  | MG RESISTOR | 47Ω 1/16W J   | 1   | E2    |
|      | R14        | RK73HB1J470J  | MG RESISTOR | 47Ω 1/16W J   | 1   | E2    |
|      | R15        | RK73HB1J470J  | MG RESISTOR | 47Ω 1/16W J   | 1   | E2    |
|      | R16        | RK73HB1J103J  | MG RESISTOR | 10kΩ 1/16W J  | 1   | E2    |
|      | R17        | RK73HB1J222J  | MG RESISTOR | 2.2kΩ 1/16W J | 1   | E2    |
|      | R18        | RK73HB1J222J  | MG RESISTOR | 2.2kΩ 1/16W J | 1   | E2    |
|      | R19        | RK73HB1J470J  | MG RESISTOR | 47Ω 1/16W J   | 1   | E2    |
|      | R20        | RK73HB1J470J  | MG RESISTOR | 47Ω 1/16W J   | 1   | E2    |
|      | R21        | RK73HB1J470J  | MG RESISTOR | 47Ω 1/16W J   | 1   | E2    |
|      | R22        | RK73HB1J470J  | MG RESISTOR | 47Ω 1/16W J   | 1   | E2    |
|      | R23        | RK73HB1J470J  | MG RESISTOR | 47Ω 1/16W J   | 1   | E2    |
|      | R24        | RK73HB1J470J  | MG RESISTOR | 47Ω 1/16W J   | 1   | E2    |
|      | R25        | RK73HB1J000J  | MG RESISTOR | 0Ω 1/16W J    | 1   | E2    |
|      | R26        | RK73HB1J000J  | MG RESISTOR | 0Ω 1/16W J    | 1   | E2    |
|      | R27        | RK73HB1J000J  | MG RESISTOR | 0Ω 1/16W J    | 1   | E2    |
|      | R28        | RK73HB1J000J  | MG RESISTOR | 0Ω 1/16W J    | 1   | E2    |
|      | R29        | RK73HB1J000J  | MG RESISTOR | 0Ω 1/16W J    | 1   | E2    |
|      | R30        | RK73HB1J000J  | MG RESISTOR | 0Ω 1/16W J    | 1   | E2    |
|      | R31        | RK73HB1J000J  | MG RESISTOR | 0Ω 1/16W J    | 1   | E2    |
|      | R32        | RK73HB1J000J  | MG RESISTOR | 0Ω 1/16W J    | 1   | E2    |
|      | R33        | RK73HB1J101J  | MG RESISTOR | 100Ω 1/16W J  | 1   | E2    |
|      | R34        | RK73HB1J101J  | MG RESISTOR | 100Ω 1/16W J  | 1   | E2    |
|      | R35        | RK73HB1J222J  | MG RESISTOR | 2.2kΩ 1/16W J | 1   | E2    |
|      | R36        | RK73HB1J222J  | MG RESISTOR | 2.2kΩ 1/16W J | 1   | E2    |
|      | R37        | RK73HB1J104J  | MG RESISTOR | 100kΩ 1/16W J | 1   | E2    |
|      | R38        | RK73HB1J000J  | MG RESISTOR | 0Ω 1/16W J    | 1   | E2    |
|      | R39        | RK73HB1J104J  | MG RESISTOR | 100kΩ 1/16W J | 1   | E2    |
|      | R40        | RK73HB1J104J  | MG RESISTOR | 100kΩ 1/16W J | 1   | E2    |
|      | R41        | RK73HB1J104J  | MG RESISTOR | 100kΩ 1/16W J | 1   | E2    |
|      | R44        | RK73HB1J000J  | MG RESISTOR | 0Ω 1/16W J    | 1   | E2    |
|      | R45        | RK73HB1J000J  | MG RESISTOR | 0Ω 1/16W J    | 1   | E2    |
|      | R46        | RK73HH1J433D  | MG RESISTOR | 43kΩ 1/16W D  | 1   | E2    |
|      | R47        | RK73HH1J433D  | MG RESISTOR | 43kΩ 1/16W D  | 1   | E2    |
|      | R48        | RK73HH1J623D  | MG RESISTOR | 62kΩ 1/16W D  | 1   | E2    |
|      | R49        | RK73HH1J623D  | MG RESISTOR | 62kΩ 1/16W D  | 1   | E2    |
|      | R50        | RK73HB1J101J  | MG RESISTOR | 100Ω 1/16W J  | 1   | E2    |
|      | R51        | RK73HB1J101J  | MG RESISTOR | 100Ω 1/16W J  | 1   | E2    |
|      | R52        | RK73HB1J104J  | MG RESISTOR | 100kΩ 1/16W J | 1   | E2    |
|      | R53        | RK73HB1J104J  | MG RESISTOR | 100kΩ 1/16W J | 1   | E2    |
|      | R54        | RK73HB1J103J  | MG RESISTOR | 10kΩ 1/16W J  | 1   | E2    |
|      | R55        | RK73HB1J104J  | MG RESISTOR | 100kΩ 1/16W J | 1   | E2    |
|      | R56        | RK73HB1J103J  | MG RESISTOR | 10kΩ 1/16W J  | 1   | E2    |
|      | R57        | RK73HB1J104J  | MG RESISTOR | 100kΩ 1/16W J | 1   | E2    |
|      | R58        | RK73HB1J104J  | MG RESISTOR | 100kΩ 1/16W J | 1   | E2    |
|      | R59        | RK73HB1J101J  | MG RESISTOR | 100Ω 1/16W J  | 1   | E2    |
|      | R60        | RK73HB1J101J  | MG RESISTOR | 100Ω 1/16W J  | 1   | E2    |
|      | R61        | RK73HB1J101J  | MG RESISTOR | 100Ω 1/16W J  | 1   | E2    |
|      | R62        | RK73HB1J101J  | MG RESISTOR | 100Ω 1/16W J  | 1   | E2    |
|      | R63        | RK73HB1J101J  | MG RESISTOR | 100Ω 1/16W J  | 1   | E2    |
|      | R64        | RK73HB1J101J  | MG RESISTOR | 100Ω 1/16W J  | 1   | E2    |
|      | R65        | RK73HB1J103J  | MG RESISTOR | 10kΩ 1/16W J  | 1   | E2    |
|      | R66        | RK73HB1J103J  | MG RESISTOR | 10kΩ 1/16W J  | 1   | E2    |
|      | R67        | RK73HB1J103J  | MG RESISTOR | 10kΩ 1/16W J  | 1   | E2    |
|      | R68        | RK73HB1J103J  | MG RESISTOR | 10kΩ 1/16W J  | 1   | E2    |
|      | R69        | RK73HB1J101J  | MG RESISTOR | 100Ω 1/16W J  | 1   | E2    |

|            |      |        |      |           |      |           |      |
|------------|------|--------|------|-----------|------|-----------|------|
| MODEL      | MARK | MODEL  | MARK | MODEL     | MARK | MODEL     | MARK |
| DDX375BT   | K0   | DDX395 | K1   | DDX4018BT | E1   | DDX4018BT | X1   |
| DDX4018DAB | E2   |        |      |           |      |           |      |

| Safe | Symbol No.                             | Parts No.     | Parts Name      | Description  | QTY | Local |  |
|------|--|---------------|-----------------|--------------|-----|-------|--|
|      | R70                                    | RK73HB1J101J  | MG RESISTOR     | 100Ω 1/16W J | 1   | E2    |  |
|      | R71                                    | RK73HB1J101J  | MG RESISTOR     | 100Ω 1/16W J | 1   | E2    |  |
|      | R72                                    | RK73HB1J101J  | MG RESISTOR     | 100Ω 1/16W J | 1   | E2    |  |
|      | R73                                    | RK73HB1J101J  | MG RESISTOR     | 100Ω 1/16W J | 1   | E2    |  |
|      | R74                                    | RK73HB1J101J  | MG RESISTOR     | 100Ω 1/16W J | 1   | E2    |  |
|      | R79                                    | RK73HB1J103J  | MG RESISTOR     | 10kΩ 1/16W J | 1   | E2    |  |
|      | R80                                    | RK73HB1J103J  | MG RESISTOR     | 10kΩ 1/16W J | 1   | E2    |  |
|      | R81                                    | RK73HB1J470J  | MG RESISTOR     | 47Ω 1/16W J  | 1   | E2    |  |
|      | R82                                    | RK73HB1J470J  | MG RESISTOR     | 47Ω 1/16W J  | 1   | E2    |  |
|      | R83                                    | RK73HB1J470J  | MG RESISTOR     | 47Ω 1/16W J  | 1   | E2    |  |
|      | R84                                    | RK73HB1J470J  | MG RESISTOR     | 47Ω 1/16W J  | 1   | E2    |  |
|      | R88                                    | RK73HB1J470J  | MG RESISTOR     | 47Ω 1/16W J  | 1   | E2    |  |
|      | R89                                    | RK73HB1J470J  | MG RESISTOR     | 47Ω 1/16W J  | 1   | E2    |  |
|      | R90                                    | RK73HB1J470J  | MG RESISTOR     | 47Ω 1/16W J  | 1   | E2    |  |
|      | R91                                    | RK73GB2A102J  | MG RESISTOR     | 1kΩ 1/10W J  | 1   | E2    |  |
|      | R92                                    | RK73GB2A102J  | MG RESISTOR     | 1kΩ 1/10W J  | 1   | E2    |  |
|      | R93                                    | RK73GB2A102J  | MG RESISTOR     | 1kΩ 1/10W J  | 1   | E2    |  |
|      | R95                                    | RK73HB1J105J  | MG RESISTOR     | 1MΩ 1/16W J  | 1   | E2    |  |
|      | R96                                    | RK73HB1J000J  | MG RESISTOR     | 0Ω 1/16W J   | 1   | E2    |  |
|      | R97                                    | RK73HB1J000J  | MG RESISTOR     | 0Ω 1/16W J   | 1   | E2    |  |
|      | R98                                    | RK73HB1J000J  | MG RESISTOR     | 0Ω 1/16W J   | 1   | E2    |  |
|      | R99                                    | RK73HB1J000J  | MG RESISTOR     | 0Ω 1/16W J   | 1   | E2    |  |
|      | R100                                   | RK73HB1J000J  | MG RESISTOR     | 0Ω 1/16W J   | 1   | E2    |  |
|      | R102                                   | RK73HB1J000J  | MG RESISTOR     | 0Ω 1/16W J   | 1   | E2    |  |
|      | R105                                   | RK73GB2A102J  | MG RESISTOR     | 1kΩ 1/10W J  | 1   | E2    |  |
|      | L2                                     | LK73G0BER12K  | M.CHIP INDUCTOR |              | 1   | E2    |  |
|      | L3                                     | LK73G0BE82NK  | M.CHIP INDUCTOR |              | 1   | E2    |  |
|      | L4                                     | LK73G0BER12K  | M.CHIP INDUCTOR |              | 1   | E2    |  |
|      | L5                                     | L1K-0001-00   | BALUN TRANS     |              | 1   | E2    |  |
|      | L6                                     | LK73G0BE1R8K  | M.CHIP INDUCTOR |              | 1   | E2    |  |
|      | L7                                     | LK73G0BER39K  | M.CHIP INDUCTOR |              | 1   | E2    |  |
|      | L8                                     | LK73G0BE100K  | M.CHIP INDUCTOR |              | 1   | E2    |  |
|      | L10                                    | LK73G0BF33NJ  | M.CHIP INDUCTOR |              | 1   | E2    |  |
|      | L11                                    | LK73G0BF68NJ  | M.CHIP INDUCTOR |              | 1   | E2    |  |
|      | L12                                    | LK73G0BFR15J  | M.CHIP INDUCTOR |              | 1   | E2    |  |
|      | L13                                    | LK73G0BFR15J  | M.CHIP INDUCTOR |              | 1   | E2    |  |
|      | L14                                    | LK73G0BF3N3S  | M.CHIP INDUCTOR |              | 1   | E2    |  |
|      | L15                                    | LK73G0BF5N6S  | M.CHIP INDUCTOR |              | 1   | E2    |  |
|      | L16                                    | LK73G0BF10NJ  | M.CHIP INDUCTOR |              | 1   | E2    |  |
|      | L17                                    | LK73G0BF10NJ  | M.CHIP INDUCTOR |              | 1   | E2    |  |
|      | L18                                    | LK73G0BF82NJ  | M.CHIP INDUCTOR |              | 1   | E2    |  |
|      | L20                                    | LK73G0BFR22J  | M.CHIP INDUCTOR |              | 1   | E2    |  |
|      | L21                                    | LK73G0BFR22J  | M.CHIP INDUCTOR |              | 1   | E2    |  |
|      | L22                                    | LB73G0BP-001  | CHIP FERRITE    |              | 1   | E2    |  |
|      | L23                                    | LB73G0BP-001  | CHIP FERRITE    |              | 1   | E2    |  |
|      | L24                                    | LB73G0BP-001  | CHIP FERRITE    |              | 1   | E2    |  |
|      | L26                                    | LB73G0BP-001  | CHIP FERRITE    |              | 1   | E2    |  |
|      | L29                                    | LB73H0CG-001  | CHIP FERRITE    |              | 1   | E2    |  |
|      | L30                                    | LB73H0CG-001  | CHIP FERRITE    |              | 1   | E2    |  |
|      | CN1                                    | EA110AD-2017B | W TO B CONNE    |              | 1   | E2    |  |
|      | CN2                                    | EA110AD-2007B | W TO B CONNE    |              | 1   | E2    |  |
|      | J1                                     | QNB0353-001   | ANT TERMINAL    |              | 1   | E2    |  |
|      | TH1                                    | FSMD035-R     | P THERMISTOR    |              | 1   | E2    |  |
|      | VA1                                    | F0K-0014-00   | SURGE ABSORBER  |              | 1   | E2    |  |
|      | X1                                     | L7J-0028-00   | QUARTZ CRYSTAL  |              | 1   | E2    |  |
|      | X2                                     | L7J-0027-00   | QUARTZ CRYSTAL  |              | 1   | E2    |  |
|      | DVD MECHA PWB ASSY (XJE-020J-01) <XJE> |               |                 |              |     |       |  |
|      | IC1                                    | BD8205EFV-M   | BIPOLAR IC      |              | 1   |       |  |
|      | IC301                                  | MN2DS0041MD   | IC              |              | 1   |       |  |
|      | IC381                                  | WZZ-0062-00   | PROGRAMMED IC   |              | 1   |       |  |
|      | IC391                                  | M12L1281686TN | DRAM IC         |              | 1   |       |  |
|      | IC921                                  | BD12KA5FP     | ANALOG IC       |              | 1   |       |  |
|      | Q12                                    | LTC044EEBFS8  | DIGI TRANSISTOR |              | 1   |       |  |
|      | Q101                                   | 2SB1709MG     | TRANSISTOR      |              | 1   |       |  |
|      | Q102                                   | 2SB1709MG     | TRANSISTOR      |              | 1   |       |  |
|      | Q103                                   | LTC014EEBFS8  | DIGI TRANSISTOR |              | 1   |       |  |
|      | Q107                                   | UMX1N         | DUAL TRANSISTOR |              | 1   |       |  |
|      | Q108                                   | SSM6N15AFEM   | DUAL FET        |              | 1   |       |  |
|      | Q302                                   | LTC044EEBFS8  | DIGI TRANSISTOR |              | 1   |       |  |
|      | C1                                     | CK73EXR1C226M | C CAPACITOR     | 22uF 16V M   | 1   |       |  |
|      | C4                                     | CK73FXR0J226M | C CAPACITOR     | 22uF 6.3V M  | 1   |       |  |
|      | C5                                     | CK73FXR0J226M | C CAPACITOR     | 22uF 6.3V M  | 1   |       |  |
|      | C6                                     | CK73FXR0J226M | C CAPACITOR     | 22uF 6.3V M  | 1   |       |  |
|      | C7                                     | CK73FXR0J226M | C CAPACITOR     | 22uF 6.3V M  | 1   |       |  |
|      | C8                                     | CK73FXR0J226M | C CAPACITOR     | 22uF 6.3V M  | 1   |       |  |
|      | C9                                     | CK73HBB1H222K | C CAPACITOR     | 2200pF 50V K | 1   |       |  |
|      | C10                                    | CK73HBB1H222K | C CAPACITOR     | 2200pF 50V K | 1   |       |  |
|      | C11                                    | CK73HBB1H222K | C CAPACITOR     | 2200pF 50V K | 1   |       |  |
|      | C12                                    | CK73HBB1H222K | C CAPACITOR     | 2200pF 50V K | 1   |       |  |
|      | C14                                    | CK73HBB1H471K | C CAPACITOR     | 470pF 50V K  | 1   |       |  |
|      | C20                                    | CK73HXR1C104K | C CAPACITOR     | 0.1uF 16V K  | 1   |       |  |
|      | C26                                    | CK73HBB1H472K | C CAPACITOR     | 4700pF 50V K | 1   |       |  |
|      | C27                                    | CK73HBB1H471K | C CAPACITOR     | 470pF 50V K  | 1   |       |  |
|      | C28                                    | CK73HBB1H471K | C CAPACITOR     | 470pF 50V K  | 1   |       |  |
|      | C29                                    | CK73HBB1H471K | C CAPACITOR     | 470pF 50V K  | 1   |       |  |
|      | C30                                    | CK73HBB1H471K | C CAPACITOR     | 470pF 50V K  | 1   |       |  |
|      | C31                                    | CK73HBB1H471K | C CAPACITOR     | 470pF 50V K  | 1   |       |  |
|      | C32                                    | CK73GBB1H471K | C CAPACITOR     | 470pF 50V K  | 1   |       |  |
|      | C33                                    | CK73HBB1H471K | C CAPACITOR     | 470pF 50V K  | 1   |       |  |
|      | C34                                    | CK73HBB1H471K | C CAPACITOR     | 470pF 50V K  | 1   |       |  |
|      | C35                                    | CK73HBB1H472K | C CAPACITOR     | 4700pF 50V K | 1   |       |  |

|            |      |        |      |           |      |           |      |
|------------|------|--------|------|-----------|------|-----------|------|
| MODEL      | MARK | MODEL  | MARK | MODEL     | MARK | MODEL     | MARK |
| DDX375BT   | K0   | DDX395 | K1   | DDX4018BT | E1   | DDX4018BT | X1   |
| DDX4018DAB | E2   |        |      |           |      |           |      |

| Safe | Symbol No. | Parts No.      | Parts Name  | Description   | QTY | Local |
|------|------------|----------------|-------------|---------------|-----|-------|
|      | C36        | CK73HBB1H472K  | C CAPACITOR | 4700pF 50V K  | 1   |       |
|      | C37        | CK73HBB1H472K  | C CAPACITOR | 4700pF 50V K  | 1   |       |
|      | C101       | CK730BS0J105K  | C CAPACITOR | 1uF 6.3V K    | 1   |       |
|      | C102       | CK730BY0J476M  | C CAPACITOR | 47uF 6.3V M   | 1   |       |
|      | C103       | CK730BY0J476M  | C CAPACITOR | 47uF 6.3V M   | 1   |       |
|      | C105       | CK73HBB1A104K  | C CAPACITOR | 0.1uF 10V K   | 1   |       |
|      | C106       | CK73HBB1A104K  | C CAPACITOR | 0.1uF 10V K   | 1   |       |
|      | C107       | CK73HBB1A104K  | C CAPACITOR | 0.1uF 10V K   | 1   |       |
|      | C108       | CK73HBB1A104K  | C CAPACITOR | 0.1uF 10V K   | 1   |       |
|      | C109       | CK73HBB1A104K  | C CAPACITOR | 0.1uF 10V K   | 1   |       |
|      | C110       | CK73HBB1A104K  | C CAPACITOR | 0.1uF 10V K   | 1   |       |
|      | C111       | CK730BS0J105K  | C CAPACITOR | 1uF 6.3V K    | 1   |       |
|      | C112       | CK730BW0J226M  | C CAPACITOR | 22uF 6.3V M   | 1   |       |
|      | C113       | CK73HBB1A104K  | C CAPACITOR | 0.1uF 10V K   | 1   |       |
|      | C121       | CK73HBB1A104K  | C CAPACITOR | 0.1uF 10V K   | 1   |       |
|      | C122       | CK73HBB1C333K  | C CAPACITOR | 0.033uF 16V K | 1   |       |
|      | C123       | CK73HBB1A104K  | C CAPACITOR | 0.1uF 10V K   | 1   |       |
|      | C124       | CK73HBB1A104K  | C CAPACITOR | 0.1uF 10V K   | 1   |       |
|      | C133       | NCJA1AK-684W-A | C CAPACITOR | 0.68uF 10V K  | 1   |       |
|      | C134       | NCJA1AK-684W-A | C CAPACITOR | 0.68uF 10V K  | 1   |       |
|      | C135       | CK73HBB1A104K  | C CAPACITOR | 0.1uF 10V K   | 1   |       |
|      | C136       | CK73HBB1A104K  | C CAPACITOR | 0.1uF 10V K   | 1   |       |
|      | C137       | CK73HBB1A104K  | C CAPACITOR | 0.1uF 10V K   | 1   |       |
|      | C138       | CK73HBB1A104K  | C CAPACITOR | 0.1uF 10V K   | 1   |       |
|      | C151       | CK73HBB1A104K  | C CAPACITOR | 0.1uF 10V K   | 1   |       |
|      | C170       | CK73HBB1A104K  | C CAPACITOR | 0.1uF 10V K   | 1   |       |
|      | C201       | CK73FXR0J226M  | C CAPACITOR | 22uF 6.3V M   | 1   |       |
|      | C202       | CK73HXR1C104K  | C CAPACITOR | 0.1uF 16V K   | 1   |       |
|      | C203       | CK73HXR1C104K  | C CAPACITOR | 0.1uF 16V K   | 1   |       |
|      | C204       | CK73GXR0J475K  | C CAPACITOR | 4.7uF 6.3V K  | 1   |       |
|      | C210       | CK73HBB1H152K  | C CAPACITOR | 1500pF 50V K  | 1   |       |
|      | C211       | CC73HCH1H151J  | C CAPACITOR | 150pF 50V J   | 1   |       |
|      | C241       | CK73GBB1H392K  | C CAPACITOR | 3900pF 50V K  | 1   |       |
|      | C291       | CK73GBB1H332K  | C CAPACITOR | 3300pF 50V K  | 1   |       |
|      | C294       | CK73GBB1H103K  | C CAPACITOR | 0.01uF 50V K  | 1   |       |
|      | C301       | CK73HBB1A104K  | C CAPACITOR | 0.1uF 10V K   | 1   |       |
|      | C302       | CK73HBB1A104K  | C CAPACITOR | 0.1uF 10V K   | 1   |       |
|      | C303       | CK73HBB1A104K  | C CAPACITOR | 0.1uF 10V K   | 1   |       |
|      | C304       | CK73HBB1A104K  | C CAPACITOR | 0.1uF 10V K   | 1   |       |
|      | C305       | CK73HBB1A104K  | C CAPACITOR | 0.1uF 10V K   | 1   |       |
|      | C306       | CK73HBB1A104K  | C CAPACITOR | 0.1uF 10V K   | 1   |       |
|      | C307       | CK73HBB1A104K  | C CAPACITOR | 0.1uF 10V K   | 1   |       |
|      | C311       | CK73HBB1A104K  | C CAPACITOR | 0.1uF 10V K   | 1   |       |
|      | C314       | CC73HCH1H151J  | C CAPACITOR | 150pF 50V J   | 1   |       |
|      | C315       | CK73HBB1H102K  | C CAPACITOR | 1000pF 50V K  | 1   |       |
|      | C316       | CK730BS0J105K  | C CAPACITOR | 1uF 6.3V K    | 1   |       |
|      | C317       | CK730BS0J105K  | C CAPACITOR | 1uF 6.3V K    | 1   |       |
|      | C318       | CK73HBB1A104K  | C CAPACITOR | 0.1uF 10V K   | 1   |       |
|      | C319       | CK73HBB1A104K  | C CAPACITOR | 0.1uF 10V K   | 1   |       |
|      | C320       | CK73HBB1A104K  | C CAPACITOR | 0.1uF 10V K   | 1   |       |
|      | C322       | CK73HBB1A104K  | C CAPACITOR | 0.1uF 10V K   | 1   |       |
|      | C324       | CK73HBB1A104K  | C CAPACITOR | 0.1uF 10V K   | 1   |       |
|      | C325       | CK73HBB1A104K  | C CAPACITOR | 0.1uF 10V K   | 1   |       |
|      | C326       | CK73HBB1E103K  | C CAPACITOR | 0.01uF 25V K  | 1   |       |
|      | C327       | CK73HBB1A104K  | C CAPACITOR | 0.1uF 10V K   | 1   |       |
|      | C329       | CK73HBB1A104K  | C CAPACITOR | 0.1uF 10V K   | 1   |       |
|      | C330       | CK73HBB1A104K  | C CAPACITOR | 0.1uF 10V K   | 1   |       |
|      | C331       | CK73HBB1A104K  | C CAPACITOR | 0.1uF 10V K   | 1   |       |
|      | C332       | CK73HBB1A104K  | C CAPACITOR | 0.1uF 10V K   | 1   |       |
|      | C333       | CK73HBB1A104K  | C CAPACITOR | 0.1uF 10V K   | 1   |       |
|      | C351       | CC73HCH1H120J  | C CAPACITOR | 12pF 50V J    | 1   |       |
|      | C352       | CC73HCH1H120J  | C CAPACITOR | 12pF 50V J    | 1   |       |
|      | C382       | CK73HBB1A104K  | C CAPACITOR | 0.1uF 10V K   | 1   |       |
|      | C391       | CK730AX0J106K  | C CAPACITOR | 10uF 6.3V K   | 1   |       |
|      | C392       | CK73HBB1A104K  | C CAPACITOR | 0.1uF 10V K   | 1   |       |
|      | C396       | CK73HBB1A104K  | C CAPACITOR | 0.1uF 10V K   | 1   |       |
|      | C398       | CK73HBB1A104K  | C CAPACITOR | 0.1uF 10V K   | 1   |       |
|      | C511       | CK73HXR1H471K  | C CAPACITOR | 470pF 50V K   | 1   |       |
|      | C911       | CK730BY0J476M  | C CAPACITOR | 47uF 6.3V M   | 1   |       |
|      | C912       | CK73HBB1A104K  | C CAPACITOR | 0.1uF 10V K   | 1   |       |
|      | C913       | CK730AX0J106K  | C CAPACITOR | 10uF 6.3V K   | 1   |       |
|      | C921       | CK730BS0J105K  | C CAPACITOR | 1uF 6.3V K    | 1   |       |
|      | C923       | CK730BS0J105K  | C CAPACITOR | 1uF 6.3V K    | 1   |       |
|      | R12        | RK73HB1J822J   | MG RESISTOR | 8.2kΩ 1/16W J | 1   |       |
|      | R17        | RK73HB1J473J   | MG RESISTOR | 47kΩ 1/16W J  | 1   |       |
|      | R19        | RK73HB1J221J   | MG RESISTOR | 220Ω 1/16W J  | 1   |       |
|      | R20        | RK73HB1J221J   | MG RESISTOR | 220Ω 1/16W J  | 1   |       |
|      | R21        | RK73HB1J221J   | MG RESISTOR | 220Ω 1/16W J  | 1   |       |
|      | R22        | RK73HB1J221J   | MG RESISTOR | 220Ω 1/16W J  | 1   |       |
|      | R23        | RK73HB1J432D   | MG RESISTOR | 4.3kΩ 1/16W D | 1   |       |
|      | R24        | RK73HB1J472J   | MG RESISTOR | 4.7kΩ 1/16W J | 1   |       |
|      | R26        | RK73HB1J103J   | MG RESISTOR | 10kΩ 1/16W J  | 1   |       |
|      | R34        | RK73FB2B000J   | MG RESISTOR | 0Ω 1/8W J     | 1   |       |
|      | R35        | RK73HB1J222J   | MG RESISTOR | 2.2kΩ 1/16W J | 1   |       |
|      | R36        | RK73FB2B000J   | MG RESISTOR | 0Ω 1/8W J     | 1   |       |
|      | R101       | RK73GB2A471J   | MG RESISTOR | 470Ω 1/10W J  | 1   |       |
|      | R102       | RK73HB1J471J   | MG RESISTOR | 470Ω 1/16W J  | 1   |       |
|      | R103       | RK73GB2A102J   | MG RESISTOR | 1kΩ 1/10W J   | 1   |       |
|      | R104       | RK73HB1J2R2J   | MG RESISTOR | 2.2Ω 1/16W J  | 1   |       |
|      | R106       | RK73HB1J000J   | MG RESISTOR | 0Ω 1/16W J    | 1   |       |

|            |      |        |      |           |      |           |      |
|------------|------|--------|------|-----------|------|-----------|------|
| MODEL      | MARK | MODEL  | MARK | MODEL     | MARK | MODEL     | MARK |
| DDX375BT   | K0   | DDX395 | K1   | DDX4018BT | E1   | DDX4018BT | X1   |
| DDX4018DAB | E2   |        |      |           |      |           |      |

| Safe | Symbol No. | Parts No.     | Parts Name    | Description    | QTY | Local |
|------|------------|---------------|---------------|----------------|-----|-------|
|      | R107       | RK73HB1J000J  | MG RESISTOR   | 0Ω 1/16W J     | 1   |       |
|      | R108       | RK73GB2A000J  | MG RESISTOR   | 0Ω 1/10W J     | 1   |       |
|      | R111       | RK73GB2A471J  | MG RESISTOR   | 470Ω 1/10W J   | 1   |       |
|      | R112       | RK73HB1J471J  | MG RESISTOR   | 470Ω 1/16W J   | 1   |       |
|      | R113       | RK73GB2A102J  | MG RESISTOR   | 1kΩ 1/10W J    | 1   |       |
|      | R114       | RK73HB1J2R2J  | MG RESISTOR   | 2.2Ω 1/16W J   | 1   |       |
|      | R115       | RZ73Z0AX180J  | RESISTOR      | 18Ω 3/4W J     | 1   |       |
|      | R116       | RK73HB1J242J  | MG RESISTOR   | 2.4kΩ 1/16W J  | 1   |       |
|      | R117       | RK73HB1J432J  | MG RESISTOR   | 4.3kΩ 1/16W J  | 1   |       |
|      | R122       | RK73HB1J000J  | MG RESISTOR   | 0Ω 1/16W J     | 1   |       |
|      | R123       | RK73HB1J103J  | MG RESISTOR   | 10kΩ 1/16W J   | 1   |       |
|      | R124       | RK73HB1J103J  | MG RESISTOR   | 10kΩ 1/16W J   | 1   |       |
|      | R138       | RK73HB1J000J  | MG RESISTOR   | 0Ω 1/16W J     | 1   |       |
|      | R151       | RK73HB1J472J  | MG RESISTOR   | 4.7kΩ 1/16W J  | 1   |       |
|      | R165       | RK73HB1J473J  | MG RESISTOR   | 47kΩ 1/16W J   | 1   |       |
|      | R170       | RK73HH1J332D  | MG RESISTOR   | 3.3kΩ 1/16W D  | 1   |       |
|      | R171       | RK73HH1J162D  | MG RESISTOR   | 1.6kΩ 1/16W D  | 1   |       |
|      | R182       | RK73GB2A000J  | MG RESISTOR   | 0Ω 1/10W J     | 1   |       |
|      | R212       | RK73GB2A223J  | MG RESISTOR   | 22kΩ 1/10W J   | 1   |       |
|      | R214       | RK73GB2A103J  | MG RESISTOR   | 10kΩ 1/10W J   | 1   |       |
|      | R215       | RK73GB2A203J  | MG RESISTOR   | 20kΩ 1/10W J   | 1   |       |
|      | R216       | RK73GB2A104J  | MG RESISTOR   | 100kΩ 1/10W J  | 1   |       |
|      | R217       | RK73HB1J222J  | MG RESISTOR   | 2.2kΩ 1/16W J  | 1   |       |
|      | R218       | RK73HB1J752J  | MG RESISTOR   | 7.5kΩ 1/16W J  | 1   |       |
|      | R219       | RK73HB1J822J  | MG RESISTOR   | 8.2kΩ 1/16W J  | 1   |       |
|      | R220       | RK73HB1J223J  | MG RESISTOR   | 22kΩ 1/16W J   | 1   |       |
|      | R221       | RK73HB1J823J  | MG RESISTOR   | 82kΩ 1/16W J   | 1   |       |
|      | R230       | RK73HB1J102J  | MG RESISTOR   | 1kΩ 1/16W J    | 1   |       |
|      | R241       | RK73GB2A123J  | MG RESISTOR   | 12kΩ 1/10W J   | 1   |       |
|      | R301       | RK73HB1J103J  | MG RESISTOR   | 10kΩ 1/16W J   | 1   |       |
|      | R302       | RK73HB1J101J  | MG RESISTOR   | 100Ω 1/16W J   | 1   |       |
|      | R303       | RK73HB1J101J  | MG RESISTOR   | 100Ω 1/16W J   | 1   |       |
|      | R304       | RK73HB1J101J  | MG RESISTOR   | 100Ω 1/16W J   | 1   |       |
|      | R308       | RK73HB1J331J  | MG RESISTOR   | 330Ω 1/16W J   | 1   |       |
|      | R310       | RK73HH1J102D  | MG RESISTOR   | 1kΩ 1/16W D    | 1   |       |
|      | R311       | RK73HB1J223J  | MG RESISTOR   | 22kΩ 1/16W J   | 1   |       |
|      | R314       | RK73GB2A393J  | MG RESISTOR   | 39kΩ 1/10W J   | 1   |       |
|      | R315       | RK73GB2A472J  | MG RESISTOR   | 4.7kΩ 1/10W J  | 1   |       |
|      | R319       | RK73GH2A243D  | MG RESISTOR   | 24kΩ 1/10W D   | 1   |       |
|      | R323       | RK73HB1J104J  | MG RESISTOR   | 100kΩ 1/16W J  | 1   |       |
|      | R327       | RK73HB1J270J  | MG RESISTOR   | 27Ω 1/16W J    | 1   |       |
|      | R351       | RK73HB1J105J  | MG RESISTOR   | 1MΩ 1/16W J    | 1   |       |
|      | R352       | RK73HB1J102J  | MG RESISTOR   | 1kΩ 1/16W J    | 1   |       |
|      | R386       | RK73HB1J184J  | MG RESISTOR   | 180kΩ 1/16W J  | 1   |       |
|      | R702       | RK73HB1J102J  | MG RESISTOR   | 1kΩ 1/16W J    | 1   |       |
|      | R911       | RK73POCMR18J  | MG RESISTOR   |                | 1   |       |
|      | L1         | LB73H0CT-002  | CHIP FERRITE  |                | 1   |       |
|      | L2         | LB73H0CT-002  | CHIP FERRITE  |                | 1   |       |
|      | L3         | LB73H0CT-002  | CHIP FERRITE  |                | 1   |       |
|      | L4         | LB73H0CT-002  | CHIP FERRITE  |                | 1   |       |
|      | L5         | LB73H0CT-002  | CHIP FERRITE  |                | 1   |       |
|      | L6         | LB73H0CT-002  | CHIP FERRITE  |                | 1   |       |
|      | L7         | LB73H0CT-002  | CHIP FERRITE  |                | 1   |       |
|      | CN101      | EC720AA-0524A | FFC FPC CONNE |                | 1   |       |
|      | CN201      | EA720AM-1206A | W TO B CONNE  |                | 1   |       |
|      | CN202      | EA720AM-1202A | W TO B CONNE  |                | 1   |       |
|      | CN301      | EA720AM-1202A | W TO B CONNE  |                | 1   |       |
|      | CN401      | QGF0534F7-35X | FFC/FPC CONNE | FFC/FPC (1-35) | 1   |       |
|      | CN501      | QGA1501F4-03W | W TO B CONNE  | W-B (1-3)      | 1   |       |
|      | S1         | S6J-0002-00   | PUSH SWITCH   |                | 1   |       |
|      | TH491      | TH05-3H103F   | N THERMISTOR  |                | 1   |       |
|      | X351       | NAX1135-001X  | CRYSTAL       |                | 1   |       |