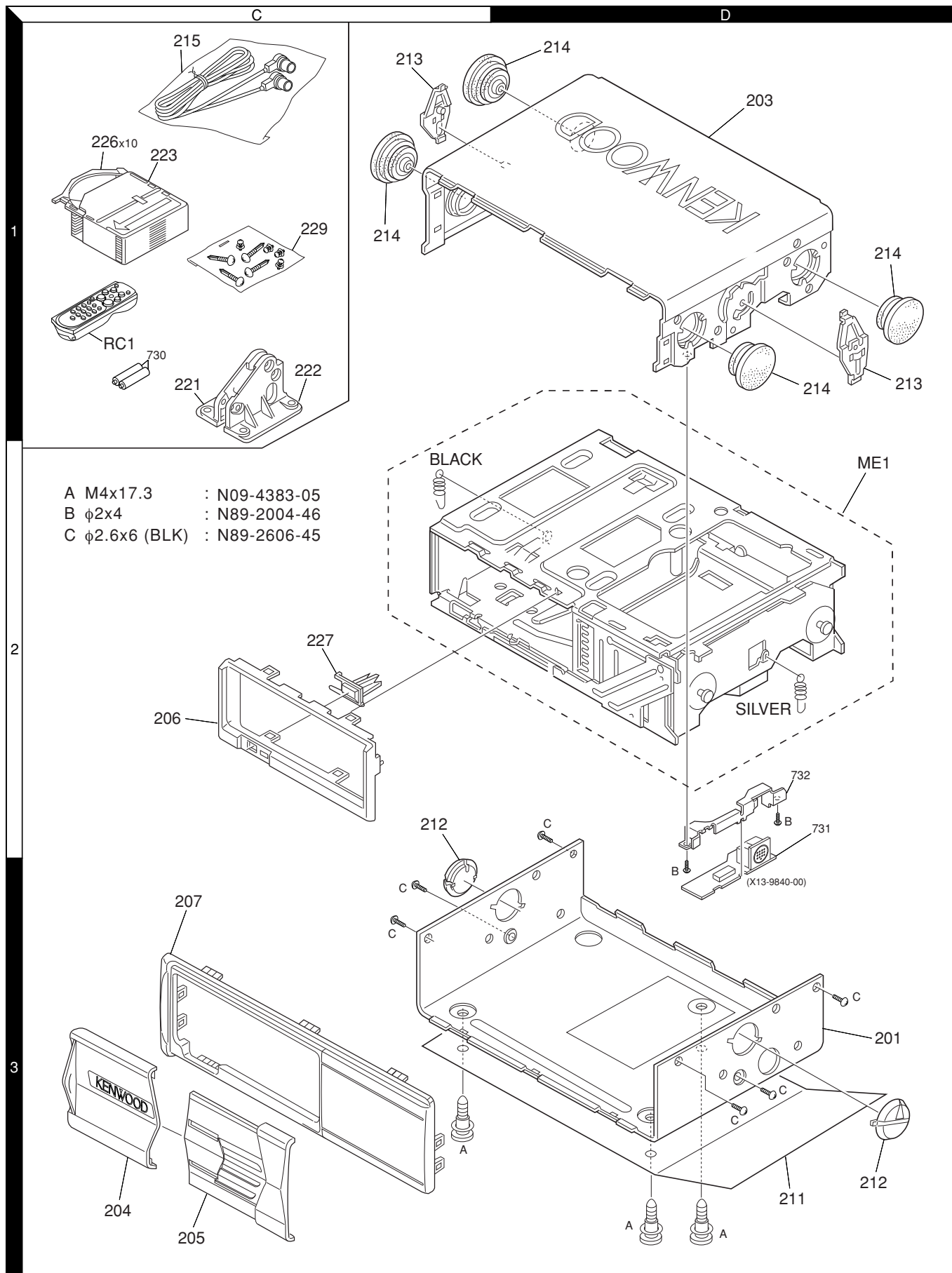


EXPLODED VIEW (UNIT)



PARTS LIST

* New parts

Parts without **Parts No.** are not supplied.

Les articles non mentionnés dans le **Parts No.** ne sont pas fournis.

Teile ohne **Parts No.** werden nicht geliefert.

Ref. No.	A d d	N e w	Parts No.	Description	Desti- nation
KDC-C519FM, C719/Y					
201	3D		A10-4735-01	CHASSIS	M2M3
201	3D		A10-4735-01	CHASSIS	E2E
201	3D		A10-4838-01	CHASSIS	K2K3
201	3D		A10-4875-01	CHASSIS	K2K3
203	1D		A01-2726-11	METALLIC CABINET	E2E
203	1D		A01-2726-11	METALLIC CABINET	M2M3
203	1D		A01-2745-11	METALLIC CABINET	K2K3
203	1D		A01-2767-01	METALLIC CABINET	K2K3
204	3C		A21-4047-12	DRESSING PANEL	E2E
204	3C		A21-4047-12	DRESSING PANEL	M2M3
204	3C		A21-4082-02	DRESSING PANEL	K2K3
205	3C		A21-4048-12	DRESSING PANEL	E2E
205	3C		A21-4048-12	DRESSING PANEL	M2M3
205	3C		A21-4083-02	DRESSING PANEL	K2K3
206	2C	*	A22-2842-02	SUB PANEL	
207	3C	*	A64-2896-01	PANEL	K2
207	3C	*	A64-2897-01	PANEL	M2E2E
207	3C	*	A64-2900-01	PANEL	M3
207	3C	*	A64-3109-01	PANEL	K3
RC1	1C		A70-2032-05	REMOTE CONTROLLER (RC-504FM)	K3M3
-			B46-0100-50	WARRANTY CARD	
-			B46-0182-14	ID CARD	E2E
-			B58-1236-04	CAUTION CARD (CORD)	
-			B58-1285-04	CAUTION CARD (O-N FORMAT SW)	K2K3M2
-			B58-1285-04	CAUTION CARD (O-N FORMAT SW)	M3E
-			B58-1289-04	CAUTION CARD (O-N FORMAT SW)	E2
-		*	B64-2346-00	INST.MANUAL (ENG, FRE, SPA, POR)	K2E
-		*	B64-2347-00	INST.MANUAL (ENG, FRE, SPA, POR)	K3
-		*	B64-2350-00	INST.MANUAL (ENG, T-CHI)	M2
-		*	B64-2351-00	INST.MANUAL (ARA)	M2
-		*	B64-2352-00	INST.MANUAL (ENG, T-CHI)	M3
-		*	B64-2353-00	INST.MANUAL (ARA)	M3
-		*	B64-2355-00	INST.MANUAL (ENG, RUS, POL)	E2
-		*	B64-2356-00	INST.MANUAL (CZE, HUN, CRO)	E2
-		*	B64-2365-00	INST.MANUAL (GER, DUT, ITA)	E
211	3D		B58-1275-04	CAUTION CARD (TRANSPORT)	
212	3D		D10-4515-03	ARM	
213	1C		D10-4516-04	LEVER	
214	1C		D39-0242-05	DAMPER	
215	1C		E30-4291-05	CORD WITH PLUG	E
215	1C		E30-4291-05	CORD WITH PLUG	K2
215	1C		E30-4291-05	CORD WITH PLUG	K3
215	1C		E30-4291-05	CORD WITH PLUG	M2M3E2
215	1C		E30-4711-05	CORD WITH PLUG	K2
215	1C		E30-4711-05	CORD WITH PLUG	K3
215	1C	*	E30-4954-15	CORD WITH PLUG	
-			H02-0827-03	INNER CARTON CASE	
-			H10-4729-02	POLYSTYRENE FOAMED FIXTURE	
-			H13-1706-04	CARTON BOARD	
-			H25-0337-04	PROTECTION BAG (180X300X0.03)	
-			H25-1111-04	PROTECTION BAG (280X450X0.03)	E2E

Ref. No.	A d d	N e w	Parts No.	Description	Desti- nation
-			H25-1111-04	PROTECTION BAG (280X450X0.03)	K3M2M3
-			H25-1115-04	PROTECTION BAG	K2
-		*	H54-2592-04	ITEM CARTON CASE	K2E
-		*	H54-2593-04	ITEM CARTON CASE	K3
-		*	H54-2595-04	ITEM CARTON CASE	M2
-		*	H54-2596-04	ITEM CARTON CASE	M3
-		*	H54-2598-04	ITEM CARTON CASE	E2
211	1C		J19-5018-03	BRACKET (L)	
222	1C		J19-5019-03	BRACKET (R)	
223	1C		J19-5146-02	HOLDER ASS'Y	
226	1C		J99-0614-01	TRAY	
227	2C		K24-3629-04	KNOB	
229	1C		N99-1645-15	SCREW SET	
A	3D		N09-4383-05	STEPPED SCREW	
B	2D		N89-2004-46	BINDING HEAD TAPTITE SCREW	
C	3D		N89-2606-45	BINDING HEAD TAPTITE SCREW	
ME1	2D	*	X92-4760-00	MECHANISM ASS'Y (CHM-1080W)	E
ME1	2D	*	X92-4760-00	MECHANISM ASS'Y (CHM-1080W)	K2M2E2
ME1	2D	*	X92-4760-01	MECHANISM ASS'Y (CHM-1081W)	K3M3
SUB-CIRCUIT UNIT (X13-9840-00)					
CN1			E40-9555-05	FLAT CABLE CONNECTOR (16PIN)	
J1			E56-0825-05	FLAT CABLE CONNECTOR	
SUB-CIRCUIT UNIT (X16-1010-00)					
CN1			E40-9487-05	FLAT CABLE CONNECTOR (23PIN)	
CN2			E40-9536-05	FLAT CABLE CONNECTOR (16PIN)	
W1,2			R92-2053-05	CHIP R 0 J 1/8W	
S1,2			S74-0811-05	MICRO SWITCH	
CD PLAYER UNIT (X32-5470-0x)					
C2			C92-0628-05	CHIP-TAN 10UF 10WV	
C3			CK73GB1H682K	CHIP C 6800PF K	
C4			CK73GB1H152K	CHIP C 1500PF K	
C5			CC73GCH1H470J	CHIP C 47PF J	
C6			CC73GCH1H680J	CHIP C 68PF J	
C7			CC73GCH1H040C	CHIP C 4.0PF C	
C8			CC73GCH1H180J	CHIP C 18PF J	
C9			CK73GB1A224K	CHIP C 0.22UF K	
C10			CK73GB1H222K	CHIP C 2200PF K	
C11			CK73GB1H682K	CHIP C 6800PF K	
C12,13			CK73GB1H103K	CHIP C 0.010UF K	
C14-16			CK73GB1C104K	CHIP C 0.10UF K	
C17			CK73FB1A225K	CHIP C 2.2UF K	
C19			CK73FB1A225K	CHIP C 2.2UF K	
C21			CK73GB1H681K	CHIP C 680PF K	
C23			CK73EB1A475K	CHIP C 4.7UF K	
C24			CK73GB1H102K	CHIP C 1000PF K	
C34			C92-0628-05	CHIP-TAN 10UF 10WV	
C46,47			C92-1393-05	ELECTRO 10UF 16WV	
C48,49			CK73GB1H681K	CHIP C 680PF K	
C52			CK73EB1A475K	CHIP C 4.7UF K	
C55			C92-0628-05	CHIP-TAN 10UF 10WV	
C56			CK73EB1A475K	CHIP C 4.7UF K	
C59			C92-1390-05	ELECTRO 100UF 6.3WV	

K2 : KDC-C719 **M2** : KDC-C719 **E** : KDC-C719
K3 : KDC-C519FM **M3** : KDC-C519FM **E2** : KDC-C719Y

△ Indicates safety critical components.

PARTS LIST

* New parts

Parts without **Parts No.** are not supplied.

Les articles non mentionnés dans le **Parts No.** ne sont pas fournis.

Teile ohne **Parts No.** werden nicht geliefert.

CD PLAYER UNIT (X32-5470-0x)

Ref. No.	Add	New	Parts No.	Description	Destination	Ref. No.	Add	New	Parts No.	Description	Destination
C60			CK73EB1A475K	CHIP C 4.7UF K		R69,70			RK73GB2A303J	CHIP R 30K J 1/10W	
C61			CK73GB1C104K	CHIP C 0.10UF K		R71			RK73GB2A912J	CHIP R 9.1K J 1/10W	
C62			C92-1392-05	ELECTRO 100UF 10WV		R72,73			RK73GB2A101J	CHIP R 100 J 1/10W	
C63			CK73EB1A475K	CHIP C 4.7UF K		R74,75			RK73GB2A223J	CHIP R 22K J 1/10W	
C64			C92-1388-05	ELECTRO 470UF 16WV		R76			RK73GB2A104J	CHIP R 100K J 1/10W	
C67-69			CK73GB1C104K	CHIP C 0.10UF K		R77			RK73GB2A183J	CHIP R 18K J 1/10W	
C70			CC73GCH1H101J	CHIP C 100PF J		R78			RK73GB2A104J	CHIP R 100K J 1/10W	
C71,72			CK73FB1A225K	CHIP C 2.2UF K		R79			RK73GB2A332J	CHIP R 3.3K J 1/10W	
C73			CK73GB1C104K	CHIP C 0.10UF K	E2E	R80			RK73GB2A102J	CHIP R 1.0K J 1/10W	
C73			CK73GB1C104K	CHIP C 0.10UF K	K2M2	R81			RK73GB2A103J	CHIP R 10K J 1/10W	
C85			CK73FB1A225K	CHIP C 2.2UF K		R82-84			RK73GB2A102J	CHIP R 1.0K J 1/10W	
C192			CK73GB1H681K	CHIP C 680PF K		R85-87			RK73GB2A104J	CHIP R 100K J 1/10W	
C200-206			CK73GB1C104K	CHIP C 0.10UF K		R93			RK73GB2A224J	CHIP R 220K J 1/10W	
C300			C92-0712-05	CHIP-TAN 22UF 6.3WV		R95,96			RK73GB2A104J	CHIP R 100K J 1/10W	
C301			CK73GB1C104K	CHIP C 0.10UF K		R97,98			RK73GB2A103J	CHIP R 10K J 1/10W	
CN1			E40-9338-05	FLAT CABLE CONNECTOR		R99			RK73GB2A104J	CHIP R 100K J 1/10W	
CN2			E40-9404-05	FLAT CABLE CONNECTOR		R100,101			RK73GB2A102J	CHIP R 1.0K J 1/10W	
L2			L92-0322-05	CHIP FERRITE		R102			RK73GB2A104J	CHIP R 100K J 1/10W	
X1			L78-0596-05	RESONATOR (16.93MHz)		R105,106			RK73GB2A102J	CHIP R 1.0K J 1/10W	
X2			L78-0568-05	RESONATOR (12.5MHz)		R107			RK73GB2A101J	CHIP R 100 J 1/10W	
CP1			R90-0720-05	MULTI-COMP 100K X4		R108			RK73GB2A104J	CHIP R 100K J 1/10W	
CP3			R90-0720-05	MULTI-COMP 100K X4		R110,111			RK73GB2A104J	CHIP R 100K J 1/10W	
CP5,6			R90-1014-05	MULTI-COMP 100 X4		R114			RK73GB2A103J	CHIP R 10K J 1/10W	
CP7,8			R90-0720-05	MULTI-COMP 100K X4		R120			RK73GB2A393J	CHIP R 39K J 1/10W	
CP9			R90-0725-05	MULTI-COMP 1K X2		R121			RK73GB2A103J	CHIP R 10K J 1/10W	
CP10,11			R90-1014-05	MULTI-COMP 100 X4	E2E	R122,123			RK73GB2A102J	CHIP R 1.0K J 1/10W	
CP10,11			R90-1014-05	MULTI-COMP 100 X4	K2M2	R124			RK73GB2A223J	CHIP R 22K J 1/10W	
CP12			R90-1014-05	MULTI-COMP 100 X4		R127			RK73GB2A104J	CHIP R 100K J 1/10W	
CP14,15			R90-0720-05	MULTI-COMP 100K X4		R129			RK73GB2A102J	CHIP R 1.0K J 1/10W	
CP16			R90-0724-05	MULTI-COMP 1K X4		R133,134			RK73GB2A104J	CHIP R 100K J 1/10W	
CP17			R90-0720-05	MULTI-COMP 100K X4		R135-138			RK73GB2A101J	CHIP R 100 J 1/10W	
R4			RK73GB2A391J	CHIP R 390 J 1/10W		R139-143			RK73GB2A104J	CHIP R 100K J 1/10W	
R5			RK73GB2A302J	CHIP R 3.0K J 1/10W		R148,149			RK73GB2A101J	CHIP R 100 J 1/10W	
R7			RK73GB2A302J	CHIP R 3.0K J 1/10W		R150			RK73GB2A102J	CHIP R 1.0K J 1/10W	
R8			RK73EB2E100J	CHIP R 10 J 1/4W		R152			RK73GB2A913J	CHIP R 91K J 1/10W	
R9			RK73GB2A102J	CHIP R 1.0K J 1/10W		R153,154			RK73GB2A472J	CHIP R 4.7K J 1/10W	
R10			RK73GB2A104J	CHIP R 100K J 1/10W		R155,156			RK73GB2A101J	CHIP R 100 J 1/10W	
R11-14			RK73GB2A103J	CHIP R 10K J 1/10W		R157			RK73GB2A102J	CHIP R 1.0K J 1/10W	K3M3
R15			RK73GB2A104J	CHIP R 100K J 1/10W		R161			RK73GB2A163J	CHIP R 16K J 1/10W	
R16			RK73GB2A562J	CHIP R 5.6K J 1/10W		R162			RK73GB2A472J	CHIP R 4.7K J 1/10W	
R17			RK73EB2E103J	CHIP R 10K J 1/4W		R190			RK73GB2A223J	CHIP R 22K J 1/10W	
R18			RK73GB2A103J	CHIP R 10K J 1/10W		R191			RK73GB2A123J	CHIP R 12K J 1/10W	
R19			RK73GB2A333J	CHIP R 33K J 1/10W		R205			RK73EB2E102J	CHIP R 1.0K J 1/4W	
R20			RK73GB2A104J	CHIP R 100K J 1/10W		R206			RK73GB2A102J	CHIP R 1.0K J 1/10W	
R21			RK73GB2A123J	CHIP R 12K J 1/10W		W2			R92-1252-05	CHIP R 0 OHM J 1/16W	
R22			RK73GB2A183J	CHIP R 18K J 1/10W		W3			R92-2053-05	CHIP R 0 J 1/8W	
R25			RK73GB2A113J	CHIP R 11K J 1/10W		W5-7			R92-1252-05	CHIP R 0 OHM J 1/16W	
R26			RK73EB2E123J	CHIP R 12K J 1/4W		S1			S68-0823-05	PUSH SWITCH	
R53,54			RK73GB2A681J	CHIP R 680 J 1/10W		S2			S70-0838-05	TACT SWITCH	
R57,58			RK73GB2A223J	CHIP R 22K J 1/10W		S3			S68-0823-05	PUSH SWITCH	
R59			RK73GB2A914J	CHIP R 910K J 1/10W		D1			DAP202K	DIODE	
R60,61			RK73EB2E101J	CHIP R 100 J 1/4W		D3,4			MA3056-M	ZENER DIODE	
R67			RK73GB2A124J	CHIP R 120K J 1/10W		D5			MA8075-M	ZENER DIODE	
R68			RK73EB2E124J	CHIP R 120K J 1/4W		D7			MA3056-M	ZENER DIODE	

K2 : KDC-C719
K3 : KDC-C519FM

M2 : KDC-C719
M3 : KDC-C519FM

E : KDC-C719
E2 : KDC-C719Y

△ Indicates safety critical components.

PARTS LIST

* New parts

Parts without **Parts No.** are not supplied.

Les articles non mentionnés dans le **Parts No.** ne sont pas fournis.

Teile ohne **Parts No.** werden nicht geliefert.

CD PLAYER UNIT (X32-5470-0x)

Ref. No.	A d d	N e w	Parts No.	Description	Desti- nation
D8			MA8062-M	ZENER DIODE	
D9,10			M1F60	DIODE	
D11			1SR154-400	DIODE	
D12			DA204U	DIODE	
D14			MA8091-M	ZENER DIODE	
D15			DAP202K	DIODE	
D16			DAP202U	DIODE	
D21,22			DAN202K	DIODE	
D23,24			DAN202U	DIODE	
IC1			UPD63711AGC	MOS-IC	
IC4			KIA78L05F	ANALOGUE IC	
IC5			LA6576	ANALOGUE IC	
IC7			UPD784214GC098	MI-COM IC	
IC8			BR24C02F-W	MEMORY IC	
IC8			CAT24WC02JI	MEMORY IC	
IC8			M24C02-WMN6T	MEMORY IC	
IC8			S-24C02BFJA	MEMORY IC	
IC8			24LC02BT-ISN	MEMORY IC	
IC9			S-80830CNNB	MOS-IC	
IC11			LC3564BT-70	MEMORY IC	E2E
IC11			LC3564BT-70	MEMORY IC	K2M2
Q1			MCH6101	TRANSISTOR	
Q4			DTA124EK	TRANSISTOR	
Q5			DTA124EUA	TRANSISTOR	
Q6,7			DTC343TK	TRANSISTOR	
Q8			DTA124EK	TRANSISTOR	
Q9			2SB1202	TRANSISTOR	
Q10			2SB1295	TRANSISTOR	
Q11			DTC124EK	TRANSISTOR	
Q13			DTC124EUA	TRANSISTOR	
Q14			DTA143EUA	TRANSISTOR	
Q16			2SC4081	TRANSISTOR	
Q17			DTA143EK	TRANSISTOR	
Q18,19			DTC124EUA	TRANSISTOR	
Q20			DTC124EK	TRANSISTOR	
Q21			2SB1202	TRANSISTOR	
Q22			2SC4081	TRANSISTOR	
Q30			DTC114YUA	TRANSISTOR	
Q31			DTC124EUA	TRANSISTOR	
MECHANISM ASSY (X92-4760-0x)					
1	2B		A10-4745-13	CHASSIS ASS'Y	
2	2B		A10-4748-02	CHASSIS CALKING ASS'Y	
3	2B		A10-4751-03	CHASSIS CALKING ASS'Y	
4	3A		A10-4754-04	CHASSIS CALKING ASS'Y	
5	2A		A10-4757-02	CHASSIS CALKING ASS'Y	
6	2A		A10-4759-02	CHASSIS	
7	1A		A10-4760-02	CHASSIS CALKING ASS'Y	
C75	3A		C90-2945-05	ELECTRO 0.047F 5.5WV	E2E
C75	3A		C90-2945-05	ELECTRO 0.047F 5.5WV	K2M2
11	2B		D10-4546-03	ARM	
12	2A		D10-4527-03	SLIDER	
13	2B		D10-4528-03	ARM	
14	2B		D10-4529-03	LEVER	
15	3A		D10-4531-04	LEVER ASS'Y	

Ref. No.	A d d	N e w	Parts No.	Description	Desti- nation
16	2A		D10-4533-03	LEVER	
17	2A		D10-4534-04	SLIDER ASS'Y	
18	1B		D10-4536-13	SLIDER	
19	3A		D10-4537-04	SLIDER ASS'Y	
20	1B		D10-4540-13	ARM	
21	1B		D10-4547-03	LEVER	
22	2B		D12-0630-02	CAM	
23	2B		D12-0631-02	CAM	
24	3B		D13-2185-04	GEAR	
25	3B		D13-2186-04	GEAR	
26	3B		D13-2187-04	GEAR	
27	3A		D13-2188-04	WORM	
28	2B		D13-2092-04	GEAR	
29	2B		D13-2093-04	GEAR ASS'Y	
30	2B		D13-2095-04	GEAR	
31	2B		D13-2096-04	GEAR	
32	3A		D13-2099-04	GEAR	
33	3A		D13-2100-04	GEAR	
34	3A		D13-2101-04	GEAR	
35	3A		D13-2102-04	GEAR	
36	3A		D13-2103-04	GEAR	
37	3A		D13-2104-04	GEAR	
38	3B		D19-0636-04	LEAD SCREW	
39	3A		D19-0637-04	CLUTCH ASS'Y	
40	3A		D39-0225-05	DAMPER	
FC1	3A		E39-0172-15	FLAT CABLE (23PIN)	
FC2	3A		E39-0173-15	FLAT CABLE (16PIN)	
46	2B		G01-3036-04	TORSION COIL SPRING	
47	1B		G01-3037-04	EXTENSION SPRING	
48	2B		G01-3038-04	TORSION COIL SPRING	
49	3A		G01-3039-04	COMPRESSION SPRING	
50	3A		G01-3040-04	EXTENSION SPRING	
51	3A		G01-3041-04	EXTENSION SPRING	
52	1B		G01-3042-04	TORSION COIL SPRING	
53	2A		G01-3043-04	TORSION COIL SPRING	
54	1B		G01-3044-04	EXTENSION SPRING	
55	2A		G01-3045-04	EXTENSION SPRING (BLACK)	
56	2A		G01-3046-04	EXTENSION SPRING (SILVER)	
57	3B		G02-1374-04	FLAT SPRING	
58	3B		G02-1375-03	FLAT SPRING	
59	2B		G02-1376-03	FLAT SPRING	
61	2B		G02-1378-14	FLAT SPRING	
62	3A		G02-1380-04	FLAT SPRING	
63	2A		G10-1045-14	FELT	
68	2B		J11-0637-03	CLAMPER	
69	3B		J21-9592-04	MOUNTING HARDWARE	
70	1B		J21-9595-03	MOUNTING HARDWARE	
73	2B		J90-0759-03	GUIDE	
74	2A	*	J90-0992-03	RAIL	
75	2B	*	J90-0990-03	GUIDE	
76	3A		R33-0207-05	SLIDE TYPE VOR.R (10K B)	
FPC1	3B		J84-0141-05	FLEXIBLE PRINTED WIRING BOARD	
A	2A		N09-4126-05	MACHINE SCREW	
B	3A		N09-4288-05	TAPTITE SCREW	
C	3A		N86-2005-46	BINDING HEAD TAPTITE SCREW	

K2 : KDC-C719 **M2** : KDC-C719 **E** : KDC-C719
K3 : KDC-C519FM **M3** : KDC-C519FM **E2** : KDC-C719Y

△ Indicates safety critical components.

PARTS LIST

* New parts

Parts without **Parts No.** are not supplied.

Les articles non mentionnés dans le **Parts No.** ne sont pas fournis.

Teile ohne **Parts No.** werden nicht geliefert.

MECHANISM ASSY (X92-4760-0x)

Ref. No.	Add	New	Parts No.	Description	Destination
D	2B		N09-4189-05	TAPTITE SCREW	
E	3B		N09-4154-05	TAPTITE SCREW	
F	2B		N09-4181-05	MACHINE SCREW	
G	3B		N39-1722-46	PAN HEAD MACHIN SCREW	
H	1A		N09-4349-05	TAPTITE SCREW	
J	3A		N19-2105-14	FLAT WASHER	
K	3A		N19-2058-04	FLAT WASHER	
L	1B		N19-2080-14	FLAT WASHER	
M	2B		N19-2028-04	FLAT WASHER	
M1	3B		T42-0797-04	MOTOR ASSY	
M2,3	3A		T42-0788-05	DC MOTOR	
Q15	3A		2SB1548(P)	TRANSISTOR	
Q15	3A		2SB1565(E,F)	TRANSISTOR	
PU1	3B	*	X93-2000-00	OPTICAL PICKUP HEAD	
RF MODULATOR					
302	1F	*	A01-2819-08	CASE	K3M3
303	1E		B07-2138-08	HOLDER ASSY	K3M3
AT1	1E		E30-4310-08	ANTENNA CORD ASSY	K3M3
DC1	1E		E30-4733-08	DC CORD	K3M3
△ F1,2	2E		F06-3026-05	FUSE (3A)	K3M3
V	1F		N09-4207-08	SCREW (3X6, Ni-B)	K3M3
W	3F		N09-4206-08	SCREW (for CN102 x2) (3X8)	K3M3
305	3E		T95-0247-08	DISPLAY UNIT ASSY	K3M3
306	1E		W01-0763-08	MAGICTAPE ASSY	K3M3
RF MODULATOR UNIT					
C1			C90-2583-05	ELECTRO 1000UF 16WV	K3M3
C2			CK73FB1H223K	CHIP C 0.022UF K	K3M3
C3			CE04NW1H4R7M	ELECTRO 4.7UF 50WV	K3M3
C6			CE04NW1C100M	ELECTRO 10UF 16WV	K3M3
C7			CE04NW1H010M	ELECTRO 1.0UF 50WV	K3M3
C8			CK73FB1H102K	CHIP C 1000PF K	K3M3
C9,10			CK73FB1H103K	CHIP C 0.010UF K	K3M3
C11,12			CC73FCH1H220J	CHIP C 22PF J	K3M3
C13-17			CK73FB1H102K	CHIP C 1000PF K	K3M3
C19			CE04DW1A101M	ELECTRO 100UF 10WV	K3M3
C20			CE04DW1E221M	ELECTRO 220UF 25WV	K3M3
C24			CE04DW1C471M	ELECTRO 470UF 16WV	K3M3
C30			CE04DW1A102M	ELECTRO 1000UF 10WV	K3M3
C31			CE04DW1A221M	ELECTRO 220UF 10WV	K3M3
C32			CE04DW1A101M	ELECTRO 100UF 10WV	K3M3
C33			C90-2583-05	ELECTRO 1000UF 16WV	K3M3
C34			CE04NW1H010M	ELECTRO 1.0UF 50WV	K3M3
C35			CK73FB1H103K	CHIP C 0.010UF K	K3M3
C36			C90-2689-05	ELECTRO 3300UF 16WV	K3M3
C103			CK73FB1H103K	CHIP C 0.010UF K	K3M3
C104			CE04NW1C100M	ELECTRO 10UF 16WV	K3M3
C105			CE04DW1A221M	ELECTRO 220UF 10WV	K3M3
C106			CE04NW1C100M	ELECTRO 10UF 16WV	K3M3

Ref. No.	Add	New	Parts No.	Description	Destination
C107			CC73FCH1H271J	CHIP C 270PF J	K3M3
C108			CK73FB1H102K	CHIP C 1000PF K	K3M3
C109,110			CK73FF1H104Z	CHIP C 0.10UF Z	K3M3
C111			CE04NW1H010M	ELECTRO 1.0UF 50WV	K3M3
C112			CK73FB1H332K	CHIP C 3300PF K	K3M3
C113			CC73FCH1H181J	CHIP C 180PF J	K3M3
C114			CK73FB1H153K	CHIP C 0.015UF K	K3M3
C203			CK73FB1H103K	CHIP C 0.010UF K	K3M3
C204			CE04NW1C100M	ELECTRO 10UF 16WV	K3M3
C205			CE04DW1A221M	ELECTRO 220UF 10WV	K3M3
C206			CE04NW1C100M	ELECTRO 10UF 16WV	K3M3
C207			CC73FCH1H271J	CHIP C 270PF J	K3M3
C208			CK73FB1H102K	CHIP C 1000PF K	K3M3
C209,210			CK73FF1H104Z	CHIP C 0.10UF Z	K3M3
C211			CE04NW1H010M	ELECTRO 1.0UF 50WV	K3M3
C212			CK73FB1H332K	CHIP C 3300PF K	K3M3
C213			CC73FCH1H181J	CHIP C 180PF J	K3M3
C214			CK73FB1H153K	CHIP C 0.015UF K	K3M3
C301			CE04NW1C100M	ELECTRO 10UF 16WV	K3M3
C302			CK73FB1H103K	CHIP C 0.010UF K	K3M3
C303			CC73FCH1H221J	CHIP C 220PF J	K3M3
C304			CC73FCH1H100D	CHIP C 10PF D	K3M3
C305			CK73FB1H103K	CHIP C 0.010UF K	K3M3
C306			CC73FCH1H221J	CHIP C 220PF J	K3M3
C308			CK73FB1H333K	CHIP C 0.033UF K	K3M3
C310			CC73FCH1H330J	CHIP C 33PF J	K3M3
C312			CK73FB1H103K	CHIP C 0.010UF K	K3M3
C314			CE04NW1HR22M	ELECTRO 0.22UF 50WV	K3M3
C315			CE04DW1A101M	ELECTRO 100UF 10WV	K3M3
C316			CK73FB1H103K	CHIP C 0.010UF K	K3M3
C317			CE04NW1H2R2M	ELECTRO 2.2UF 50WV	K3M3
C318,319			CK73FB1H103K	CHIP C 0.010UF K	K3M3
C320			CC73FCH1H181J	CHIP C 180PF J	K3M3
C321			CE04NW1H010M	ELECTRO 1.0UF 50WV	K3M3
C322			CC73FUJ1H221J	CHIP C 220PF J	K3M3
C323			CC73FUJ1H680J	CHIP C 68PF J	K3M3
C324			CC73FUJ1H150J	CHIP C 15PF J	K3M3
C325			CK73FB1H103K	CHIP C 0.010UF K	K3M3
C326			CE04DW1E470M	ELECTRO 47UF 25WV	K3M3
C327			CC73FUJ1H150J	CHIP C 15PF J	K3M3
C328			CC73FCH1H020C	CHIP C 2.0PF C	K3M3
C329			CC73FCH1H150J	CHIP C 15PF J	K3M3
C330			CK73FB1H103K	CHIP C 0.010UF K	K3M3
C331			CC73FCH1H010C	CHIP C 1.0PF C	K3M3
C332			CC73FCH1H050C	CHIP C 5.0PF C	K3M3
C333,334			CC73FCH1H330J	CHIP C 33PF J	K3M3
C335			CE04NW1H4R7M	ELECTRO 4.7UF 50WV	K3M3
C336			CK73FB1H222K	CHIP C 2200PF K	K3M3
C338			CC73FCH1H050C	CHIP C 5.0PF C	K3M3
VC301			C05-0513-08	TRIMMER C (20PF)	K3M3
CN101			E56-0811-05	CONNECTOR (8P)	K3M3
CN102			E56-0833-08	CONNECTOR (13P)	K3M3
CN104,105			E40-3237-05	PIN ASSY	K3M3
L1			L33-0934-08	CHOKING COIL	K3M3

K2 : KDC-C719
K3 : KDC-C519FM

M2 : KDC-C719
M3 : KDC-C519FM

E : KDC-C719
E2 : KDC-C719Y

△ Indicates safety critical components.

PARTS LIST

* New parts

Parts without **Parts No.** are not supplied.

Les articles non mentionnés dans le **Parts No.** ne sont pas fournis.

Teile ohne **Parts No.** werden nicht geliefert.

RF MODULATOR UNIT

Ref. No.	A d d	N e w	Parts No.	Description	Desti- nation
L301			L33-1043-08	SMALL FIXED INDUCTOR (0.22uH)	K3M3
L302,303			L33-0976-08	SMALL FIXED INDUCTOR (2.2uH)	K3M3
L304			L33-1043-08	SMALL FIXED INDUCTOR (0.22uH)	K3M3
L305			L33-1042-08	SMALL FIXED INDUCTOR (0.12uH)	K3M3
X301			L77-2716-08	CRYSTAL RESONATOR (38KHz)	K3M3
X302			L77-2062-08	CRYSTAL RESONATOR (4.5MHz)	K3M3
R1			RD14BB2C242J	RD 2.4K J 1/6W	K3M3
R2			RD14BB2C222J	RD 2.2K J 1/6W	K3M3
R6			RK73FB2A223J	CHIP R 22K J 1/10W	K3M3
R7			R92-2148-08	CHIP R 22 J 2W	K3M3
R8			RD14BB2C223J	RD 22K J 1/6W	K3M3
R9			RD14BB2C222J	RD 2.2K J 1/6W	K3M3
R11			RD14BB2C102J	RD 1.0K J 1/6W	K3M3
R12			RD14BB2C103J	RD 10K J 1/6W	K3M3
R13			RD14BB2C104J	RD 100K J 1/6W	K3M3
R14			RD14BB2C332J	RD 3.3K J 1/6W	K3M3
R15			RD14BB2C104J	RD 100K J 1/6W	K3M3
R16			RD14BB2C332J	RD 3.3K J 1/6W	K3M3
R17			RD14BB2C102J	RD 1.0K J 1/6W	K3M3
R18			RK73FB2A104J	CHIP R 100K J 1/10W	K3M3
R19			RD14BB2C332J	RD 3.3K J 1/6W	K3M3
R20			RD14BB2C102J	RD 1.0K J 1/6W	K3M3
R21			RD14BB2C472J	RD 4.7K J 1/6W	K3M3
R22,23			RD14BB2C102J	RD 1.0K J 1/6W	K3M3
R24			RD14BB2C472J	RD 4.7K J 1/6W	K3M3
R25,26			RD14BB2C102J	RD 1.0K J 1/6W	K3M3
R27,28			RK73FB2A103J	CHIP R 10K J 1/10W	K3M3
R31			RK73FB2A473J	CHIP R 47K J 1/10W	K3M3
R33			RK73FB2A473J	CHIP R 47K J 1/10W	K3M3
R34			RK73FB2A182J	CHIP R 1.8K J 1/10W	K3M3
R35			RK73FB2A151J	CHIP R 150 J 1/10W	K3M3
R102			RK73FB2A152J	CHIP R 1.5K J 1/10W	K3M3
R103			RK73FB2A682J	CHIP R 6.8K J 1/10W	K3M3
R104			RK73FB2A103J	CHIP R 10K J 1/10W	K3M3
R105-108			R92-0363-05	CHIP R 10K F 1/10W	K3M3
R109			RK73FB2A182J	CHIP R 1.8K J 1/10W	K3M3
R110			RK73FB2A391J	CHIP R 390 J 1/10W	K3M3
R111			RK73FB2A102J	CHIP R 1.0K J 1/10W	K3M3
R112			RK73FB2A753J	CHIP R 75K J 1/10W	K3M3
R113			RK73FB2A104J	CHIP R 100K J 1/10W	K3M3
R114-116			RK73FB2A682J	CHIP R 6.8K J 1/10W	K3M3
R202			RK73FB2A152J	CHIP R 1.5K J 1/10W	K3M3
R203			RK73FB2A682J	CHIP R 6.8K J 1/10W	K3M3
R204			RK73FB2A103J	CHIP R 10K J 1/10W	K3M3
R205-208			R92-0363-05	CHIP R 10K F 1/10W	K3M3
R209			RK73FB2A182J	CHIP R 1.8K J 1/10W	K3M3
R210			RK73FB2A391J	CHIP R 390 J 1/10W	K3M3
R212			RK73FB2A753J	CHIP R 75K J 1/10W	K3M3
R213			RK73FB2A104J	CHIP R 100K J 1/10W	K3M3
R214-216			RK73FB2A682J	CHIP R 6.8K J 1/10W	K3M3
R301			RK73FB2A154J	CHIP R 150K J 1/10W	K3M3
R302			RK73FB2A123J	CHIP R 12K J 1/10W	K3M3
R306			RK73FB2A103J	CHIP R 10K J 1/10W	K3M3
R307			RK73FB2A472J	CHIP R 4.7K J 1/10W	K3M3

Ref. No.	A d d	N e w	Parts No.	Description	Desti- nation
R308			RK73FB2A154J	CHIP R 150K J 1/10W	K3M3
R314			RK73FB2A473J	CHIP R 47K J 1/10W	K3M3
R316			RK73FB2A122J	CHIP R 1.2K J 1/10W	K3M3
R317			RK73FB2A242J	CHIP R 2.4K J 1/10W	K3M3
R318			RK73FB2A332J	CHIP R 3.3K J 1/10W	K3M3
R319			RD14BB2C122J	RD 1.2K J 1/6W	K3M3
R320			RK73FB2A103J	CHIP R 10K J 1/10W	K3M3
R322			RD14BB2C472J	RD 4.7K J 1/6W	K3M3
R323			RK73FB2A471J	CHIP R 470 J 1/10W	K3M3
R325,326			RK73FB2A223J	CHIP R 22K J 1/10W	K3M3
R327			RK73FB2A473J	CHIP R 47K J 1/10W	K3M3
R328			RK73FB2A271J	CHIP R 270 J 1/10W	K3M3
R329			RK73FB2A470J	CHIP R 47 J 1/10W	K3M3
R330			RK73FB2A331J	CHIP R 330 J 1/10W	K3M3
R331			RK73FB2A473J	CHIP R 47K J 1/10W	K3M3
R332			RK73FB2A101J	CHIP R 100 J 1/10W	K3M3
R333			RK73FB2A470J	CHIP R 47 J 1/10W	K3M3
R334			RK73FB2A472J	CHIP R 4.7K J 1/10W	K3M3
R337,338			RK73FB2A472J	CHIP R 4.7K J 1/10W	K3M3
R339,340			RK73FB2A391J	CHIP R 390 J 1/10W	K3M3
R343			RK73FB2A101J	CHIP R 100 J 1/10W	K3M3
R346			RK73FB2A472J	CHIP R 4.7K J 1/10W	K3M3
R348			RK73FB2A224J	CHIP R 220K J 1/10W	K3M3
VR301			R32-0208-08	TRIMING POT. 33K(B)	K3M3
VR303			R32-0207-08	TRIMING POT. 10K(B)	K3M3
RL1			S76-0802-08	MAGNET RELAY	K3M3
D1			DSK10C-ET1	DIODE	K3M3
D2			DSK10C-BT	DIODE	K3M3
D5			DSK10C-ET1	DIODE	K3M3
D8,9			1SS131	DIODE	K3M3
D12,13			1SS131	DIODE	K3M3
D14			DSK10C-ET1	DIODE	K3M3
D15			DSK10C-BT	DIODE	K3M3
D16			1SS131	DIODE	K3M3
D101			DA204K	DIODE	K3M3
D201			DA204K	DIODE	K3M3
D302			DA204K	DIODE	K3M3
IC1			UPC7805AHF	IC (VOLTAGE REGULATOR/ +5V)	K3M3
IC2		*	LC72329-9B24	IC (MICRO COMPUTER)	K3M3
IC4			NJM78L05UA	IC (VOLTAGE REGULATOR/ +5V)	K3M3
IC101			NJM2060M	IC (OP AMP X4)	K3M3
IC102			NJM4565MD	IC (OP AMP X2)	K3M3
IC301			BA1405F	IC (MPX)	K3M3
IC302			NJM4565MD	IC (OP AMP X2)	K3M3
Q1			DTC124EK	DIGITAL TRANSISTOR	K3M3
Q2			2SA1782(T,U)	TRANSISTOR	K3M3
Q3			DTC124EK	DIGITAL TRANSISTOR	K3M3
Q4,5			DTC143TK	DIGITAL TRANSISTOR	K3M3
Q6			DTA124EK	DIGITAL TRANSISTOR	K3M3
Q8			DTC143TK	DIGITAL TRANSISTOR	K3M3
Q9			2SC4640(T,U)	TRANSISTOR	K3M3
Q101			2SK2158	FET	K3M3
Q201			2SK2158	FET	K3M3
Q303			2SA1162(GR)	TRANSISTOR	K3M3

K2 : KDC-C719

M2 : KDC-C719

E : KDC-C719

△ Indicates safety critical components.

K3 : KDC-C519FM

M3 : KDC-C519FM

E2 : KDC-C719Y

PARTS LIST

* New parts

Parts without **Parts No.** are not supplied.

Les articles non mentionnés dans le **Parts No.** ne sont pas fournis.

Teile ohne **Parts No.** werden nicht geliefert.

RF MODULATOR UNIT

Ref. No.	A d d	N e w	Parts No.	Description	Desti- nation
Q304,305			2SK2158	FET	K3M3
Q306			2SK508L	FET	K3M3
Q307			2SC2714(Y)	TRANSISTOR	K3M3
Q308-310			2SK2158	FET	K3M3
VD301			HVU306A-3	VARIABLE DIODE	K3M3
ZD1-7			MTZ6.2J(B)	ZENER DIODE	K3M3
DISPLAY UNIT					
320	2E		A02-1460-08	FRONT CASE	K3M3
321	3E		A02-1446-08	REAR CASE	K3M3
323	2E		B10-3055-08	FRONT GLASS ASSY	K3M3
LCD1	3E		B38-0643-08	LCD	K3M3
C1			C92-0047-05	CHIP-ELE 47UF 6.3WV	K3M3
C2			CK73GB1H681K	CHIP C 680PF K	K3M3
C3			C92-0037-05	CHIP-ELE 10UF 16WV	K3M3
C4,5			CK73FB1H223K	CHIP C 0.022UF K	K3M3
CN1	3E		E30-4309-08	DIN CORD ASSY (8P)	K3M3
331	3E		K25-0713-08	KNOB (REP, RDM, PLAY/PAUSE)	K3M3
332	2E		K29-5576-08	KNOB ASSY (PWR, RESET)	K3M3
333	2E		K29-5585-08	KNOB (TRACK)	K3M3
334	3E		K29-5586-08	KNOB (DISC)	K3M3
Y	3E		N79-2040-45	SCREW (POWER-KEY x1)	K3M3
Z	3E		N79-2080-45	SCREW (REAR CASE x1)	K3M3
R1-3			RK73GB1J222J	CHIP R 2.2K J 1/16W	K3M3
R4			RK73GB1J101J	CHIP R 100 J 1/16W	K3M3
R5			RK73GB1J222J	CHIP R 2.2K J 1/16W	K3M3
R6			RK73GB1J513J	CHIP R 51K J 1/16W	K3M3
R7-15			RK73FB2A470J	CHIP R 47 J 1/10W	K3M3
R16,17			RK73GB1J102J	CHIP R 1.0K J 1/16W	K3M3
SW1-9			S70-0828-08	TACT SWITCH	K3M3
D1-5			DA204K	DIODE	K3M3
IC1			LC75852W	IC (LCD DRIVER)	K3M3
IC2			PNA4602M	IC (REMOTE SENSOR)	K3M3
LED1-18			B30-1459-08	LED	K3M3
Q1			DTC144EK	DIGITAL TRANSISTOR	K3M3
Q2			DTB123YK	DIGITAL TRANSISTOR	K3M3
Q3			DTA144EK	DIGITAL TRANSISTOR	K3M3
Q4			DTC144EK	DIGITAL TRANSISTOR	K3M3
Q5			DTA144EK	DIGITAL TRANSISTOR	K3M3

Ref. No.	A d d	N e w	Parts No.	Description	Desti- nation

K2 : KDC-C719
K3 : KDC-C519FM

M2 : KDC-C719
M3 : KDC-C519FM

E : KDC-C719
E2 : KDC-C719Y

△ Indicates safety critical components.