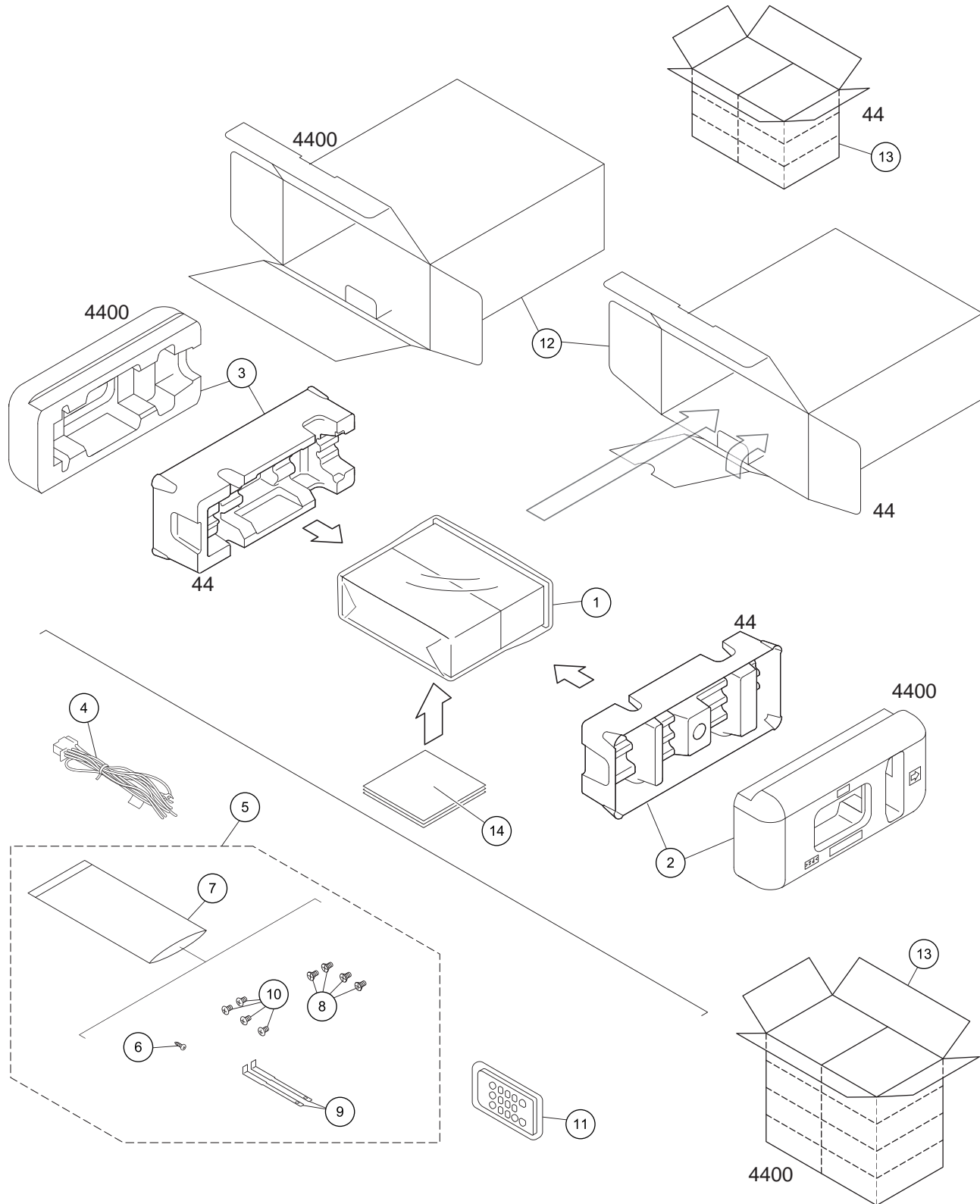


9. EXPLODED VIEWS AND PARTS LIST

NOTES : • Parts marked by "*" are generally unavailable because they are not in our Master Spare Parts List.
 • The ⚠ mark found on some component parts indicates the importance of the safety factor of the part. Therefore, when replacing, be sure to use parts of identical designation.
 • Screw adjacent to ∇ mark on the product are used for disassembly.
 • For the applying amount of lubricants or glue, follow the instructions in this manual.
 (In the case of no amount instructions, apply as you think it appropriate.)

9.1 PACKING



PACKING SECTION PARTS LIST

<u>Mark No.</u>	<u>Description</u>	<u>Part No.</u>	<u>Mark No.</u>	<u>Description</u>	<u>Part No.</u>
1	Polyethylene Bag	CEG1173			
2	Protector(44)	CHP4103	9	Handle	QNC3021
	Protector(4400)	QHP3016	10	Screw	TRZ50P080FTC
3	Protector(44)	CHP4104	11	Card type RC Unit	QXE1047
	Protector(4400)	QHP3016	12	Unit Box(44)	YHG5636
				Unit Box(4400)	YHG5635
4	Cord Assy	QDP3013			
*	Accessory Assy	QEA3008	13	Contain Box(44)	YHL5637
6	Screw	BPZ20P060FTC		Contain Box(4400)	YHL5635
7	Polyethylene Bag	CEG1160	14-1	Installation Manual	YRD5349
8	Screw	CRZ50P090FTC	*	14-2 Warranty Card	QRY3001

Owner's Manual,Installation Manual

Part No.	Language
YRD5349	English, Spanish(Espanol)

9.2 EXTERIOR

1

2

3

4

A

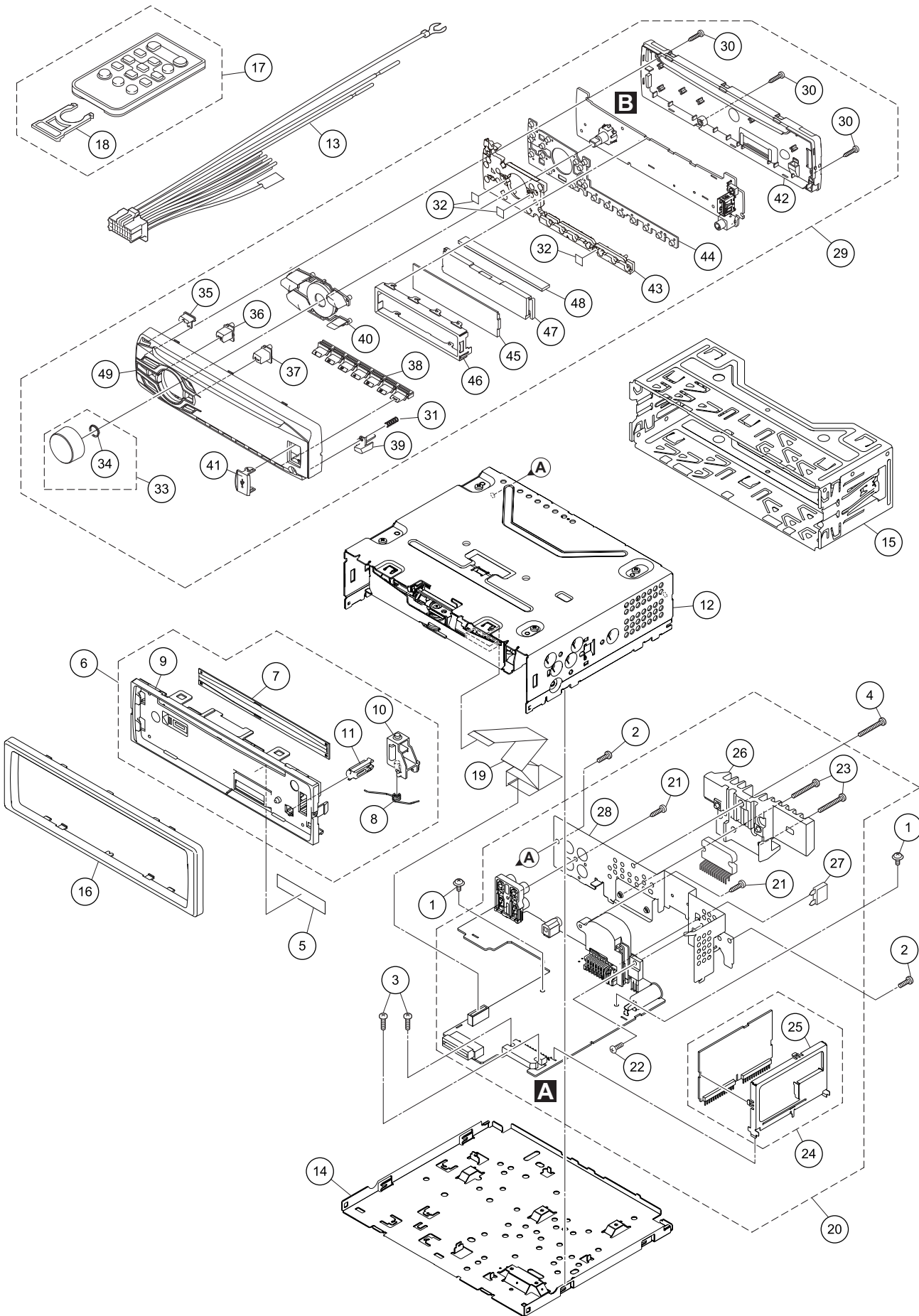
B

C

D

E

F



1

2

3

4

EXTERIOR SECTION PARTS LIST

<u>Mark No.</u>	<u>Description</u>	<u>Part No.</u>	<u>Mark No.</u>	<u>Description</u>	<u>Part No.</u>
1	Screw	ASZ26P050FTC	49	Grille Unit(44)	YXA5836
2	Screw	BSZ26P060FTC			
3	Screw	BSZ26P080FTC		Grille Unit(4400)	YXA5809
4	Screw	BSZ26P120FTC			
*	5	Seal			
	6	Panel Unit			
*	7	Cover			
	8	Spring			
*	9	Panel			
*	10	Arm			
*	11	Button			
	12	CD Mechanism Module(S11.6)			
	13	Cord Assy			
	14	Case			
	15	Holder			
	16	Panel			
	17	Card type RC Unit			
	18	Cover			
	19	Cable			
	20	Tuner Amp Unit			
	21	Screw			
	22	Screw			
	23	Screw			
	24	WWR C-TUN Unit			
	25	Holder			
	26	Heat Sink			
⚠	27	Fuse(10 A)			
	28	Holder			
	29	Grille Assy(44)			
		Grille Assy(4400)			
	30	Screw			
	31	Spring			
	32	Sheet			
	33	Knob Unit			
	34	Spring			
	35	Button(EJECT)			
	36	Button(LEFT)			
	37	Button(RIGHT)			
	38	Button(1-6, -)			
	39	Button(DETACH)			
	40	Button(LIST, SRC, COLOR, RETURN, BAND)			
	41	Door			
	42	Cover			
	43	Lighting Conductor			
	44	Contact Rubber			
	45	Segment LCD(V1801)			
	46	Holder			
	47	Lighting Conductor			
	48	Rubber Connector			

5 6 7 8
CD MECHANISM MODULE SECTION PARTS LIST

<u>Mark No.</u>	<u>Description</u>	<u>Part No.</u>	<u>Mark No.</u>	<u>Description</u>	<u>Part No.</u>
1		50	Damper	CNW1198
2	Screw	BSZ20P040FTC	51	Arm	CNW1726
3	Screw(M2 x 4)	CBA1835	52	Motor Unit(M2)(LOAD/CRG)	CXC4026
4	Washer	CBF1038	53	Screw Unit	CXC8894
5	Spring	CBH3010	54	Arm Assy	CXE5027
6	Spring	CBH2855	55	Washer	CBF1037
7	Spring	CBH2856	56	Washer	CBF1038
8	Spring	CBH2860	57	Arm	CND6242
9	Screw	BSZ26P060FTC	58	Collar	CNW2444
10	Spring	CBH3011	59	Roller	CNW1196
11	Coil Spring	CBH3095	60	Gear Unit	CXC8893
12	Spring	CBH3014	61	Washer	YE15FTC
13	Spring	CBH3015	62	Chassis Unit	CXE4528
14	Spring	CBH3016	63	Motor Unit(M1)(SPDL)	CXE2273
15	Spring	CBH3017	64	Screw	JFZ20P025FTC
16	Spring	CBH3086	65	Screw	JGZ17P022FTC
17	Spring	CBH3019	66	Screw	EBA1028
18		67	CD Core Unit (S11.6STD)	CWX4023
19	Leaf Spring	CBL1824	68	Chassis	CNA3181
20	Pickup Unit(P10.6)(Service)	CXX3556			
21	Bracket	CND4553			
22	Arm	CND4555			
23	Bracket	CND6127			
24	Bracket	CND5710			
25	Lever	CND5398			
26	Sheet	CNN3678			
27	Rack	CNV8342			
28	Guide	CNW2240			
29	Roller	CNW1172			
30	Holder	CNW1195			
31	Arm	CNW2241			
32	Roller	CNW1175			
33				
34	Arm	CNW1177			
35	Arm	CNW1178			
36	Gear	CNW1180			
37	Gear	CNW1181			
38				
39	Gear	CNW1183			
40	Rack	CNW1184			
41	Gear	CNW1185			
42	Gear	CNW1186			
43	Gear	CNW1187			
44	Gear	CNW2287			
45	Clamper	CNW1190			
46	Arm	CNW1192			
47	Holder	CNW1193			
48	Holder	CNW1194			
49	Damper	CNW1197			

12. ELECTRICAL PARTS LIST

NOTE:

- Parts whose parts numbers are omitted are subject to being not supplied.
- The part numbers shown below indicate chip components.

Chip Resistor

RS1/○S○○○○J,RS1/○○S○○○○J

Chip Capacitor (except for CQS.....)

CKS....., CCS....., CSZS.....

- The \triangle mark found on some component parts indicates the importance of the safety factor of the part. Therefore, when replacing, be sure to use parts of identical designation.
- Meaning of the figures and others in the parentheses in the parts list.

Example) IC 301 is on the point (face A, 91 of x-axis, and 111 of y-axis) of the corresponding PC board.

IC 301 (A, 91, 111) IC NJM2068V

Circuit Symbol and No. Part No. Circuit Symbol and No. Part No.

Unit Number: YWM5546

Unit Name : Tuner Amp Unit

Unit Number:

Unit Name : Keyboard Unit

Unit Number: CWX4023

Unit Name : CD Core Unit (S11.6STD)

D 510	(A,121,113) Diode	CRG03
D 513	(A,139,107) Diode	CRG03
D 514	(A,128,108) Diode	CRG03
D 515	(A,145,62) Diode	CRG03
D 601	(A,118,45) Diode	RB551V-30
D 602	(A,108,77) Diode	RB751S-40
D 751	(A,139,131) Diode	RKZ8.2KG(B2)
D 801	(A,113,12) Diode	DZ2S068C
D 802	(A,114,12) Diode	DZ2S068C
D 803	(A,120,12) Diode	DZ2S068C
D 804	(A,117,12) Diode	DZ2S068C

A

Unit Number: YWM5546

Unit Name : Tuner Amp Unit

D 805	(A,119,12) Diode	DZ2S068C
D 806	(A,105,12) Diode	DZ2S068C
D 807	(A,111,12) Diode	DZ2S068C
D 808	(A,116,12) Diode	DZ2S068C
D 871	(A,93,21) Diode	CRG03
D 872	(A,97,22) Diode	CRG03
D 901	(A,139,128) Diode	1SR154-400

MISCELLANEOUS

IC 201	(A,95,113) IC	PML022A
IC 231	(A,107,96) D/A Converter	PCM1753DBQ
IC 301	(A,78,141) IC	PAL007E
IC 512	(A,146,70) Regulator IC	S-1172B11-E6
IC 513	(A,147,57) Regulator IC	S-1155B33-U5
IC 551	(A,106,41) IC	341S2162
IC 601	(A,118,61) IC	R5S7266ZD144FP
IC 651	(A,132,78) IC	S-80827CNMC-B8M
IC 671	(A,97,51) IC	PEB010A8
IC 801	(A,106,20) L-MOS And Gate	TC7SET08FUS1

D 902	(A,139,125) Diode	1SR154-400
D 911	(A,121,42) Diode	1SR154-400
D 912	(A,124,41) Diode	1SR154-400
D 913	(A,139,100) Diode	1SS301
D 931	(A,117,109) Diode	HZU7L(A1)
D 986	(A,9,110) Diode	CRG03
D 987	(A,11,110) Diode	CRG03
D 988	(A,23,114) Diode	CMS02
D 989	(A,19,114) Diode	CMS02
ZNR401	(A,155,106) Surge Protector	IMSA-6802-01Y900

IC 912	(A,145,28) IC	BA49182-V12
IC 954	(A,10,119) Regulator IC	BD9781HFP
IC 956	(A,89,86) IC	BD82001FVJ
Q 251	(A,25,130) Chip Transistor	RN1910
Q 252	(A,14,129) Chip Transistor	RN1910

L 601	(A,142,47) Inductor	CTF1786
L 602	(A,139,51) Inductor	CTF1786
L 671	(A,97,55) Inductor	CTF1786
L 802	(A,114,16) Inductor	CTF1713
L 901	(A,112,140) Choke Coil 600 uH	CTH1432

Q 351	(A,88,127) Chip Transistor	RN4983
Q 551	(A,112,42) Transistor	LSA1576UB
Q 751	(A,142,138) Transistor	2SD2396
Q 752	(A,138,133) Chip Transistor	RN4983
Q 871	(A,91,17) Transistor	2SA1577

L 982	(A,31,116) Inductor	CTH1253
X 601	(A,100,66) Ceramic Resonator 16.934 MHz	CSS1603
X 602	(A,123,78) Oscillator 12 MHz	YSS5005
\triangle P251	(A,7,129) Fuse 3 A	CEK1286
VA804	(A,104,12) Varistor	EZJP0V270RM

Q 872	(A,92,14) Transistor	LTC143EUB
Q 931	(A,121,105) Transistor	LSC4081UB
D 301	(A,99,126) Diode	CRG03
D 302	(A,96,126) Diode	CRG03

VA805	(A,109,12) Varistor	EZJP0V270RM
CN701	(A,92,38) Connector	VKN1192
CN801	(A,109,3) Connector	CKS6288

5		6		7		8	
<u>Circuit Symbol and No.</u>		<u>Part No.</u>		<u>Circuit Symbol and No.</u>		<u>Part No.</u>	
JA251	(A,19,137) Pin Jack	YKB5011		R 631	(A,127,75)	RS1/16SS473J	
JA401	(A,158,128) Antenna Jack	YKS5041		R 632	(A,126,74)	RS1/16SS473J	
				R 633	(A,115,76)	RS1/16SS5601F	
JA901	(A,113,140) Plug	CKM1586		R 634	(A,121,74)	RS1/16SS473J	A
JA941	(A,42,138) Connector	CKS4124					
	WWR C-TUN Unit	CWE2328		R 636	(A,128,74)	RS1/16SS102J	
⚠	Fuse(10 A)	YEK5001		R 638	(A,107,74)	RS1/16SS473J	

RESISTORS

R 201	(A,124,86)	RAB4CQ102J					
R 205	(A,92,104)	RS1/16SS223J		R 642	(A,130,46)	RS1/16SS473J	
R 206	(A,105,111)	RS1/16SS223J		R 643	(A,132,47)	RS1/16SS473J	
R 207	(A,96,104)	RS1/16SS101J		R 644	(A,127,44)	RS1/16SS473J	
R 231	(A,111,92)	RS1/16SS821J		R 645	(A,133,82)	RS1/16SS103J	
				R 646	(A,132,84)	RS1/16SS103J	
R 232	(A,111,93)	RS1/16SS821J					
R 251	(A,20,130)	RS1/16SS821J		R 651	(A,129,79)	RS1/16SS104J	B
R 252	(A,29,131)	RS1/16SS821J		R 671	(A,103,54)	RS1/10SR473J	
R 253	(A,10,130)	RS1/16SS821J		R 672	(A,92,56)	RS1/10SR473J	
R 254	(A,19,130)	RS1/16SS821J		R 691	(A,123,12)	RS1/10SR222J	
				R 692	(A,124,47)	RS1/10SR222J	
R 255	(A,23,130)	RS1/16SS223J					
R 256	(A,26,131)	RS1/16SS223J		R 701	(A,97,45)	RS1/16SS473J	
R 257	(A,12,129)	RS1/16SS223J		R 702	(A,96,38)	RS1/16SS104J	
R 258	(A,16,130)	RS1/16SS223J		R 703	(A,97,42)	RS1/16SS104J	
R 303	(A,88,123)	RS1/16SS103J		R 704	(A,88,44)	RS1/16SS472J	
				R 705	(A,88,42)	RS1/16SS472J	
R 304	(A,87,123)	RS1/16SS473J					
R 331	(A,74,125)	RS1/16SS471J		R 706	(A,88,40)	RS1/16SS472J	C
R 332	(A,81,125)	RS1/16SS471J		R 707	(A,96,47)	RS1/16SS221J	
R 333	(A,75,125)	RS1/16SS471J		R 708	(A,97,46)	RS1/16SS221J	
R 334	(A,80,125)	RS1/16SS471J		R 709	(A,96,44)	RS1/16SS101J	
				R 710	(A,96,41)	RS1/16SS221J	
R 351	(A,92,127)	RS1/16SS103J					
R 352	(A,90,127)	RS1/16SS103J		R 711	(A,96,40)	RS1/16SS101J	
R 353	(A,92,128)	RS1/16SS221J		R 712	(A,96,39)	RS1/16SS102J	
R 401	(A,137,63)	RS1/10SR680J		R 713	(A,96,36)	RS1/16SS151J	
R 402	(A,151,45)	RS1/10SR680J		R 714	(A,96,34)	RS1/16SS151J	
				R 715	(A,96,32)	RS1/16SS151J	
R 403	(A,151,47)	RS1/10SR680J					
R 405	(A,151,48)	RS1/10SR473J		R 716	(A,96,29)	RS1/16SS221J	
R 551	(A,112,38)	RS1/16SS473J		R 717	(A,96,30)	RS1/16SS104J	D
R 552	(A,111,45)	RS1/16SS103J		R 751	(A,149,137)	RS1/16SS473J	
R 553	(A,113,45)	RS1/16SS103J		R 752	(A,149,135)	RS1/16SS103J	
				R 753	(A,140,134)	RS1/10SR821J	
R 556	(A,108,38)	RS1/16SS272J					
R 557	(A,110,37)	RS1/16SS472J		R 801	(A,120,16)	RS1/10SR101J	
R 558	(A,114,42)	RS1/16SS472J		R 802	(A,117,16)	RS1/10SR101J	
R 559	(A,107,45)	RS1/16SS101J		R 806	(A,103,12)	RS1/10SR222J	
R 560	(A,107,47)	RS1/16SS101J		R 807	(A,109,20)	RS1/10SR222J	
				R 808	(A,103,18)	RS1/16SS822J	
R 602	(A,118,42)	RS1/16SS473J					
R 603	(A,101,18)	RS1/16SS104J		R 809	(A,111,20)	RS1/10SR8R2J	
R 604	(A,117,45)	RS1/16SS103J		R 810	(A,113,19)	RS1/10SR8R2J	
R 605	(A,107,77)	RS1/16SS103J		R 811	(A,124,15)	RS1/10SR222J	E
R 609	(A,130,56)	RS1/16SS473J		R 812	(A,102,12)	RS1/10SR222J	
				R 813	(A,99,15)	RS1/10SR222J	
R 612	(A,131,56)	RS1/16SS473J					
R 613	(A,100,59)	RS1/16SS101J		R 814	(A,116,16)	RS1/10SR222J	
R 614	(A,131,61)	RS1/16SS222J		R 815	(A,110,22)	RS1/10SR222J	
R 615	(A,98,60)	RS1/16SS101J		R 816	(A,122,17)	RS1/10SR222J	
R 616	(A,133,62)	RS1/16SS473J		R 851	(A,96,16)	RS1/16SS472J	
				R 873	(A,94,15)	RS1/16SS152J	
R 617	(A,100,61)	RS1/16SS101J					
R 619	(A,134,63)	RS1/16SS104J		R 874	(A,94,17)	RS1/16SS103J	
R 621	(A,99,63)	RS1/16SS221J		R 875	(A,94,13)	RS1/16SS122J	
R 625	(A,131,70)	RS1/16SS473J		R 878	(A,110,31)	RS1/16SS0R0J	F
R 629	(A,120,75)	RS1/16SS473J		R 911	(A,140,42)	RS1/10SR1R0J	
				R 912	(A,148,43)	RS1/10SR1R0J	
R 630	(A,123,74)	RS1/16SS152J		R 931	(A,119,109)	RS1/16SS223J	

1

2

3

4

Circuit Symbol and No.**Part No.****Circuit Symbol and No.****Part No.**

R 932	(A, 119, 105)	RS1/16SS473J	C 413	(A, 149, 98)	CEVW101M16
R 933	(A, 118, 105)	RS1/16SS472J			
R 934	(A, 113, 109)	RS1/4SA102J	C 414	(A, 153, 106)	CCSRCJ3R0C50
R 941	(A, 49, 133)	RS1/10SR102J	C 425	(A, 154, 86)	CKSSYB102K50
R 942	(A, 48, 133)	RS1/10SR102J	C 428	(A, 153, 76)	CKSSYB102K50
			C 511	(A, 152, 68) 10 uF	CCG1192
R 967	(A, 18, 119)	RS1/16SS1003F	C 513	(A, 140, 72) 10 uF	CCG1192
R 969	(A, 18, 122)	RS1/16SS683J			
R 971	(A, 34, 125)	RS1/10SR1003D	C 515	(A, 141, 57)	CKSRYB102K50
R 972	(A, 32, 124)	RS1/10SR2402D	C 516	(A, 142, 56)	CKSQYB475K6R3
R 973	(A, 35, 124)	RS1/10SR333J	C 517	(A, 151, 53)	CKSQYB475K6R3
			C 551	(A, 112, 39)	CKSSYB104K10
R 974	(A, 28, 124)	RS1/10SR471J	C 552	(A, 110, 38)	CKSSYB104K10
R 975	(A, 30, 124)	RS1/10SR121J			
R 976	(A, 133, 61)	RS1/16SS104J	C 601	(A, 111, 47)	CKSSYB104K10
R 977	(A, 36, 125)	RS1/10SR821J	C 602	(A, 117, 48)	CKSSYB104K10

CAPACITORS

C 201	(A, 98, 107) 10 uF	CCG1192			
C 203	(A, 100, 109) 10 uF	CCG1192	C 606	(A, 130, 53)	CKSSYB104K10
C 205	(A, 91, 106)	CKSRYB105K10	C 607	(A, 105, 55)	CKSSYB104K10
C 206	(A, 91, 121)	CKSRYB105K10	C 608	(A, 132, 56)	CKSSYB104K10
C 207	(A, 93, 108)	CKSRYB105K10	C 609	(A, 104, 58)	CKSSYB104K10
			C 610	(A, 131, 59)	CKSSYB104K10
C 208	(A, 106, 115)	CKSRYB105K10			
C 209	(A, 95, 108)	CKSRYB105K10	C 611	(A, 97, 80)	CCSSCH220J50
C 210	(A, 103, 115)	CKSRYB105K10	C 612	(A, 104, 60)	CKSSYB104K10
C 211	(A, 92, 106)	CKSRYB105K10	C 613	(A, 98, 80)	CCSSCH220J50
C 212	(A, 107, 115)	CKSRYB105K10	C 615	(A, 99, 80)	CCSSCH220J50
			C 616	(A, 132, 64)	CKSSYB104K10
C 213	(A, 106, 113)	CKSRYB105K10			
C 233	(A, 109, 90) 10 uF	CCG1192	C 617	(A, 97, 63)	CCSSCH220J50
C 234	(A, 109, 102) 10 uF	CCG1192	C 618	(A, 131, 64)	CKSSYB104K10
C 237	(A, 113, 93)	CCSRCH182J50	C 619	(A, 104, 64)	CKSSYB104K10
C 238	(A, 112, 95)	CCSRCH182J50	C 620	(A, 104, 65)	CKSSYB104K10
			C 621	(A, 131, 69)	CKSSYB104K10
C 240	(A, 110, 95)	CKSSYB102K50			
C 251	(A, 30, 129) 4.7 uF	CCG1201	C 622	(A, 108, 74)	CKSSYB104K10
C 252	(A, 35, 131) 4.7 uF	CCG1201	C 623	(A, 113, 75)	CKSSYB104K10
C 253	(A, 35, 128) 4.7 uF	CCG1201	C 624	(A, 114, 75)	CKSSYB104K10
C 254	(A, 40, 128) 4.7 uF	CCG1201	C 625	(A, 115, 75)	CKSSYB104K10
			C 626	(A, 116, 76)	CKSSYB104K10
C 255	(A, 21, 131)	CCSRCH101J50			
C 256	(A, 28, 131)	CCSRCH101J50	C 627	(A, 119, 74)	CKSSYB104K10
C 257	(A, 11, 130)	CCSRCH101J50	C 628	(A, 122, 74)	CKSSYB104K10
C 258	(A, 17, 129)	CCSRCH101J50	C 629	(A, 128, 72)	CKSSYB104K10
C 261	(A, 34, 138)	CKSRYB102K50	C 630	(A, 109, 74)	CKSSYB104K10
			C 632	(A, 121, 78)	CCSSCH120J50
C 301	(A, 74, 128)	CKSRYB474K10			
C 302	(A, 81, 128)	CKSRYB474K10	C 633	(A, 123, 80)	CCSSCH120J50
C 303	(A, 76, 128)	CKSRYB474K10	C 638	(A, 113, 77)	CKSRYB105K10
C 304	(A, 79, 128)	CKSRYB474K10	C 651	(A, 129, 77)	CKSRYB105K10
C 305	(A, 74, 131)	CKSRYB474K10	C 671	(A, 91, 51)	CKSSYB104K10
			C 701	(A, 97, 43)	CKSSYB103K16
C 306	(A, 81, 131)	CKSRYB474K10			
C 307	(A, 76, 131)	CKSRYB474K10	C 702	(A, 94, 25)	CCSRCH100D50
C 308	(A, 79, 131)	CKSRYB474K10	C 751	(A, 143, 130) 10 uF	CCG1192
C 309	(A, 62, 137)	CKSRYB104K16	C 754	(A, 141, 131)	CKSSYB104K10
C 310	(A, 83, 129) 2.2 uF	CCG1205	C 801	(A, 125, 12)	CKSRYB104K16
			C 802	(A, 106, 16)	CKSRYB102K50
C 311	(A, 84, 126) 2.2 uF	CCG1205			
C 312	(A, 102, 128)	CKSRYB104K16	C 803	(A, 106, 14)	CKSRYB102K50
C 313	(A, 69, 129)	CEVW100M16	C 804	(A, 99, 12)	CKSRYB104K16
C 314	(A, 65, 131)	CCSRCH100D50	C 808	(A, 110, 12)	CKSRYB104K16
C 315	(A, 85, 129)	CCSRCH100D50	C 809	(A, 122, 12)	CKSRYB104K16
			C 810	(A, 100, 12)	CCSRCH221J50
C 351	(A, 94, 127) 10 uF	CCG1192			
C 409	(A, 152, 57) 10 uF	CCG1192	C 811	(A, 98, 12)	CCSRCH221J50
C 410	(A, 152, 72) 10 uF	CCG1192	C 817	(A, 108, 21)	CKSSYB104K10
C 412	(A, 154, 97)	CKSSYB104K16	C 871	(A, 92, 11)	CKSRYB104K16
			C 901	(A, 133, 124) 3 300 uF/16 V	CCH1732

1

2

3

4

5		6		7		8	
<u>Circuit Symbol and No.</u>		<u>Part No.</u>		<u>Circuit Symbol and No.</u>		<u>Part No.</u>	
C 913	(A,139,44)	CKSSYB102K50		CN1911	(A,155,22) Connector	CKS6266	
C 916	(A,147,40) 4.7 uF	CCG1201		JA1921	(A,154,8) Jack	YKN5001	
C 917	(A,131,42) 4.7 uF	CCG1201		V 1801	(A,106,23) Segment LCD	CAW2017	A
C 918	(A,151,41) 4.7 uF	CCG1201		RESISTORS			
C 919	(A,146,46)	CKSSYB102K50		R 1801	(B,88,7)	RS1/10SR222J	
C 921	(A,130,42)	CKSRYB104K16		R 1802	(B,88,8)	RS1/10SR222J	
C 922	(A,119,36)	CEAT102M16		R 1803	(B,141,29)	RS1/10SR101J	
C 923	(A,154,40)	CKSSYB102K50		R 1822	(B,63,8)	RS1/16SS273J	
C 929	(A,138,41) 4.7 uF	CCG1201		R 1851	(B,71,20)	RS1/16SS102J	
C 930	(A,146,44) 4.7 uF	CCG1201		R 1852	(B,49,19)	RS1/16SS101J	
C 931	(A,117,105)	CKSRYB104K16		R 1853	(B,55,30)	RS1/16SS181J	
C 935	(A,129,40)	CKSSYB102K50		R 1854	(B,55,31)	RS1/16SS181J	
C 941	(A,49,137)	CKSRYB103K50		R 1855	(B,24,14)	RS1/16SS101J	B
C 942	(A,48,137)	CKSRYB103K50		R 1856	(B,18,11)	RS1/16SS181J	
C 970	(A,28,105) Capacitor	CEVW221M16		R 1857	(B,18,10)	RS1/16SS181J	
C 971	(A,14,113)	CKSRYB105K16		R 1858	(B,24,19)	RS1/16SS101J	
C 972	(A,18,118)	CKSRYB104K16		R 1859	(B,18,20)	RS1/16SS181J	
C 973	(A,17,120)	CKSSYB471K50		R 1860	(B,18,19)	RS1/16SS181J	
C 974	(A,18,120)	CKSSYB103K16		R 1861	(B,54,27)	RS1/16SS101J	
C 975	(A,22,125)	CEVQW221M6R3		R 1862	(B,63,29)	RS1/16SS181J	
C 976	(A,37,124)	CCSRCH221J50		R 1863	(B,63,27)	RS1/16SS151J	
C 977	(A,89,90)	CKSRYB104K16		R 1864	(B,57,16)	RS1/16SS102J	
C 978	(A,92,80)	CKSRYB105K16		R 1865	(B,46,13)	RS1/16SS101J	
C 980	(A,92,82)	CKSRYB104K16		R 1866	(B,53,30)	RS1/16SS121J	C
C 981	(A,90,73)	CEVW101M16		R 1867	(B,53,31)	RS1/16SS221J	
				R 1868	(B,24,16)	RS1/16SS101J	
				R 1869	(B,18,15)	RS1/16SS121J	
				R 1870	(B,18,14)	RS1/16SS221J	
				R 1871	(B,24,22)	RS1/16SS101J	
				R 1872	(B,18,23)	RS1/16SS121J	
				R 1873	(B,18,22)	RS1/16SS221J	
				R 1874	(B,62,25)	RS1/16SS101J	
				R 1875	(B,62,29)	RS1/16SS181J	
				R 1876	(B,62,27)	RS1/16SS181J	
				R 1877	(B,57,17)	RS1/16SS102J	D
				R 1878	(B,45,30)	RS1/16SS101J	
				R 1879	(B,51,30)	RS1/16SS181J	
				R 1880	(B,51,31)	RS1/16SS181J	
				R 1881	(B,24,17)	RS1/16SS101J	
				R 1882	(B,18,18)	RS1/16SS181J	
				R 1883	(B,18,16)	RS1/16SS181J	
				R 1884	(B,24,23)	RS1/16SS101J	
				R 1885	(B,18,26)	RS1/16SS181J	
				R 1886	(B,18,25)	RS1/16SS181J	
				R 1887	(B,70,22)	RS1/16SS101J	E
				R 1888	(B,67,29)	RS1/16SS181J	
				R 1889	(B,69,29)	RS1/16SS181J	
				R 1890	(B,57,18)	RS1/16SS102J	
				R 1891	(B,57,20)	RS1/16SS102J	
				R 1892	(B,69,22)	RS1/16SS102J	
				R 1893	(B,65,13)	RS1/10SR222J	
				R 1894	(B,63,13)	RS1/10SR222J	
				R 1895	(B,62,13)	RS1/10SR222J	

B
Unit Number :
Unit Name : Keyboard Unit

MISCELLANEOUS

IC 1801	(B,85,23) IC	PD6538A		C 1801	(B,144,31) 10 uF	CCG1192	
IC 1802	(A,159,37) Remote IC	GP1UXC14RK		C 1802	(B,89,11)	CKSRYB105K10	
IC 1851	(B,62,18) DAC	BU2507FV		C 1803	(B,88,10)	CKSSYB104K10	
Q 1851	(B,51,14) Transistor	LSC4081UB		CAPACITORS			
Q 1852	(B,52,25) Transistor	LSC4081UB					
Q 1853	(B,21,11) Transistor	LSC4081UB					
Q 1854	(B,21,20) Transistor	LSC4081UB					
Q 1855	(B,57,28) Transistor	LSC4081UB					
Q 1856	(B,56,14) Transistor	LSC4081UB					
Q 1857	(B,51,28) Transistor	LSC4081UB					
Q 1858	(B,21,14) Transistor	LSC4081UB					
Q 1859	(B,21,23) Transistor	LSC4081UB					
Q 1860	(B,60,28) Transistor	LSC4081UB					
Q 1861	(B,53,16) Transistor	LSC4081UB					
Q 1862	(B,48,27) Transistor	LSC4081UB					
Q 1863	(B,21,17) Transistor	LSC4081UB					
Q 1864	(B,21,25) Transistor	LSC4081UB					
Q 1865	(B,68,27) Transistor	LSC4081UB					
Q 1866	(B,57,24) Transistor	LSC4081UB					
Q 1867	(B,63,23) Transistor	LSC4081UB					
Q 1868	(B,69,25) Transistor	LSC4081UB					
D 1851	(A,50,21) LED	SMLV56RGB1U1					
D 1852	(A,112,6) LED	SMLV56RGB1U1					
D 1853	(A,22,21) LED	SMLV56RGB1U1					
D 1854	(A,64,22) Chip LED	NSSM038A-6430					
X 1801	(B,83,10) Ceramic Resonator 5.00 MHz	CSS1547					
S 1842	(A,36,21) Encoder(ROTARY COMMANDER)	CSD1168					
CN1821	(B,108,10) Connector	CKS6287					

1

2

3

4

Circuit Symbol and No.**Part No.****Circuit Symbol and No.****Part No.**

C 1804	(B,89,13)	CKSSYB104K10	R 301	(A,27,9)	RS1/16SS0R0J
C 1805	(B,90,13)	CKSSYB104K10	R 302	(A,28,9)	RS1/16SS0R0J
C 1851	(B,68,19)	CKSRYB105K10	R 303	(A,27,11)	RS1/16SS123J
C 1852	(B,49,22)	CKSSYB104K16	R 304	(A,28,11)	RS1/16SS123J
C 1853	(B,57,9)	CKSSYB104K16	R 305	(A,26,9)	RS1/16SS102J
C 1854	(B,24,27)	CKSSYB104K16	R 306	(A,26,11)	RS1/16SS472J
C 1855	(B,55,27)	CKSSYB104K16	R 307	(A,25,9)	RS1/16SS102J
C 1856	(B,104,19)	CCSRCH100D50	R 308	(A,25,11)	RS1/16SS472J
C 1857	(B,103,19)	CCSRCH100D50	R 309	(A,35,6)	RS1/16SS473J
C 1858	(B,106,19)	CCSRCH100D50	R 310	(B,30,9)	RS1/16SS472J
C 1859	(B,59,14)	CKSSYB103K16	R 311	(B,30,10)	RS1/16SS472J
C 1863	(B,59,26)	CKSSYB104K16	R 312	(B,30,11)	RS1/16SS472J

C 1867	(B,66,24)	CKSSYB104K16	R 313	(B,30,12)	RS1/16SS472J
			R 701	(A,21,38)	RS1/16SS101J
			R 702	(A,23,38)	RS1/16SS101J
			R 706	(A,32,42)	RS1/16SS221J
			R 708	(B,28,26)	RS1/16SS0R0J
			R 709	(B,29,28)	RS1/16SS0R0J

C**Unit Number: CWX4023****Unit Name : CD Core Unit (S11.6STD)****MISCELLANEOUS**

IC 201	(B,23,37) IC	PE5791A
IC 301	(A,37,11) IC	BD8223EFV
Q 101	(B,11,53) Transistor	2SA1577
Q 102	(B,15,54) Chip Digital Transistor	LTA123JUB
X 201	(B,25,49) Ceramic Resonator 16.934 MHz	CSS1603

S 901	(A,42,53) Spring Switch(HOME)	CSN1080
S 903	(B,21,12) Spring Switch(DSCSNS)	CSN1081
CN101	(A,16,58) Connector	CKS4808
CN701	(A,25,29) Connector	CKS6146

RESISTORS

R 101	(B,6,57)	RS1/10SR2R4J
R 102	(B,8,57)	RS1/10SR2R4J
R 103	(B,9,57)	RS1/10SR2R7J
R 108	(B,18,55)	RS1/16SS105J
R 109	(B,12,50)	RS1/16SS222J

R 201	(A,24,11)	RS1/16SS0R0J
R 202	(A,23,9)	RS1/16SS0R0J
R 214	(B,18,28)	RS1/16SS103J
R 215	(B,17,28)	RS1/16SS393J
R 216	(B,12,35)	RS1/16SS122J

R 217	(B,10,32)	RS1/16SS562J
R 218	(B,10,35)	RS1/16SS472J
R 229	(B,12,34)	RS1/16SS471J
R 232	(A,31,54)	RS1/16SS0R0J
R 237	(B,33,45)	RS1/16SS221J

R 240	(B,34,40)	RS1/16SS473J
R 245	(A,34,46)	RS1/16SS104J
R 254	(A,37,56)	RS1/16SS104J
R 260	(B,30,27)	RS1/16SS103J
R 264	(A,22,9)	RS1/16SS102J

R 281	(B,33,38)	RS1/16SS560J
R 282	(B,33,39)	RS1/16SS560J
R 283	(B,35,38)	RS1/16SS0R0J
R 291	(B,33,34)	RS1/16SS560J
R 292	(B,33,36)	RS1/16SS0R0J

R 293	(B,35,39)	RS1/16SS0R0J
R 294	(B,27,48)	RS1/16SS471J
R 296	(B,34,43)	RS1/16SS0R0J

CAPACITORS

C 104	(B,12,57)	CKSQYB475K6R3
C 203	(B,22,47)	CKSSYB104K10
C 209	(B,28,47)	CKSRYB104K16
C 210	(B,33,43)	CKSSYB104K10
C 211	(B,33,41)	CKSSYB104K10

C 212	(B,22,28)	CKSSYB104K10
C 213	(B,18,26)	CKSSYB332K50
C 214	(B,17,26)	CKSSYB473K16
C 215	(B,19,28)	CKSSYB104K10
C 216	(B,12,33)	CKSSYB182K50

C 217	(B,10,34)	CCSSCH560J50
C 218	(B,10,36)	CCSSCH4R0C50
C 219	(B,14,34)	CKSSYB104K10
C 220	(A,18,38)	CKSSYB104K10
C 221	(B,14,32)	CKSSYB104K10

C 222	(B,13,37)	CKSSYB104K10
C 223	(B,12,42)	CCSSCH680J50
C 224	(B,13,45)	CCSSCH470J50
C 225	(B,13,46)	CKSSYB103K16
C 228	(B,10,33)	CCSSCH270J50

C 229	(B,9,40)	CKSSYB104K10
C 233	(B,32,46)	CKSSYB103K16
C 236	(B,8,40)	CKSSYB104K10
C 238	(A,25,44)	CKSRYB104K16
C 299	(A,26,41)	CKSSYB104K10

C 302	(B,28,12)	CKSSYB102K50
C 303	(B,29,12)	CKSSYB102K50
C 304	(B,27,12)	CKSSYB223K16
C 305	(B,26,12)	CKSSYB104K10
C 306	(A,31,7)	CKSSYB104K10

C 307	(A,41,19)	CKSRYB105K10
C 308	(A,31,15)	CKSRYB105K10
C 710	(A,34,42)	CKSSYB102K50

Miscellaneous Parts List

M 1	Pickup Unit(P10.6)(Service)	CXX3556
M 2	Motor Unit(SPINDLE)	CXE2273
	Motor Unit(LOADING/CARRIAGE)	CXC4026

1

2

3

4