

Model#: 28185ZE90B

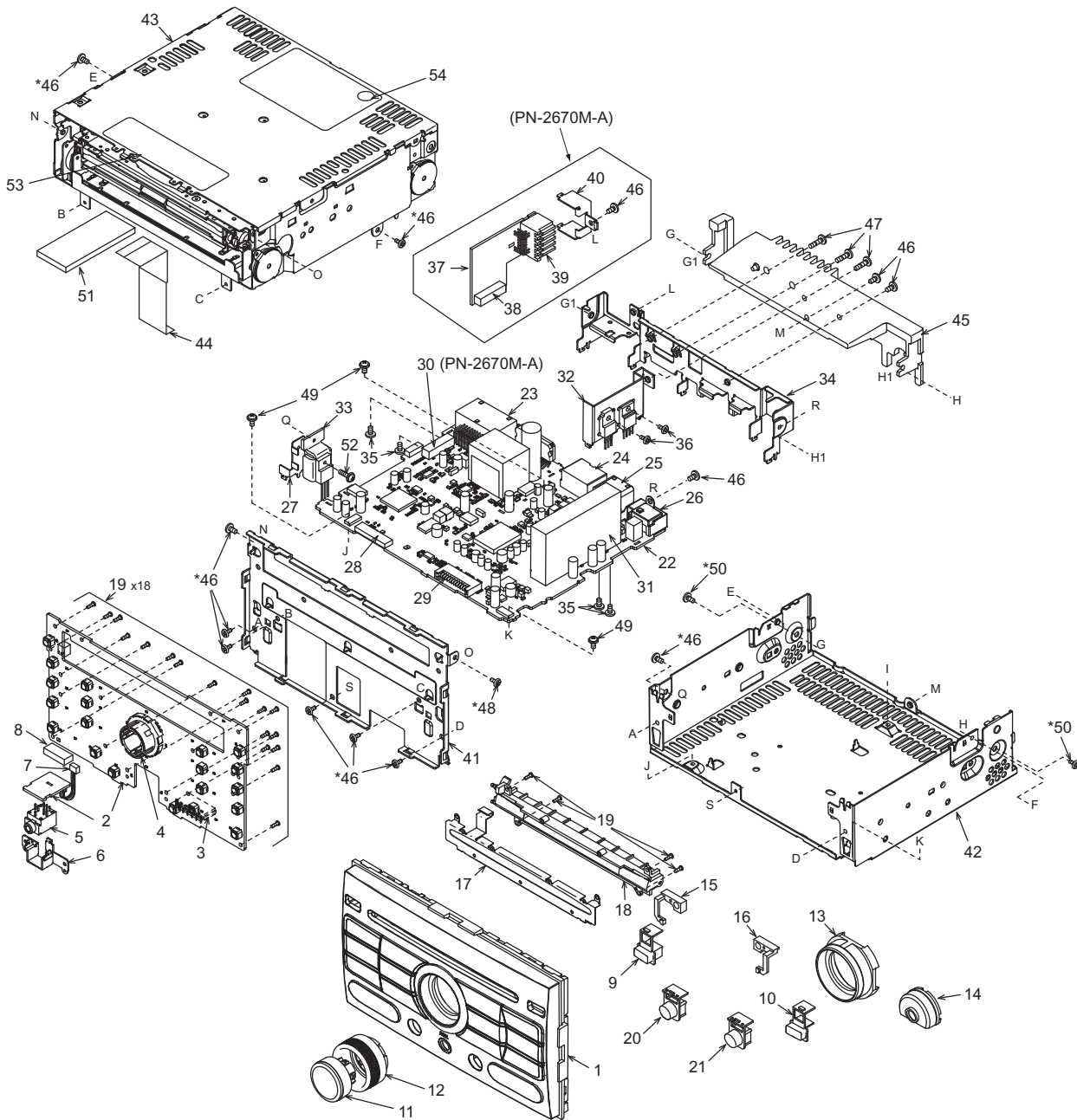
CT#	PN-2670M-D
Market	NISSAN
Introduction Yr.	2009
Refer to	PN-2670M-A

Only difference for the MD model is the Micom IC, part number is

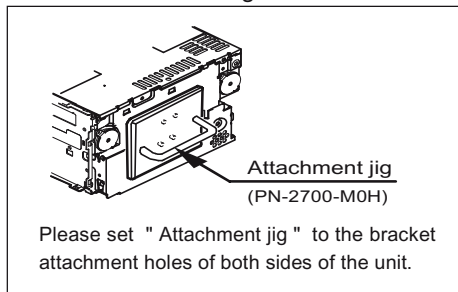
052320811

For service manual use PN-2670M-A

EXPLODED VIEW/PARTS LIST



Caution of assembling



When installing this unit into a vehicle, this unit side is equipped with an attachment bracket.
 In assembling the upper block(CD changer module) and the lower block(main unit) of the unit, please use the " Attachment jig " . (When the screws of mark[*] are tightened)
 After assembling, please check the attachment position of the unit with Attachment jig again.

Note) Some parts depend on each model. The model name is specified in the description.

NO.	PART NO.	DESCRIPTION	Q'TY	NO.	PART NO.	DESCRIPTION	Q'TY
1	940-8070-80	ESCUTCHEON-ASSY (PN2670MA)	1	29	076-0662-70	PLUG(20P)	1
	940-8070-82	ESCUTCHEON-ASSY (PN2670MB)		30	076-0368-20	PLUG 20P(PN2670MA)	1
2	-----	SWITCH PWB	1	31	880-2094A	TUNER PACK	1
3	074-1279-70	OUTLET SOCKET	1	32	313-1937-00	SUB HEAT SINK	1
4	016-7005-00	ROTARY ENCODER	1	33	313-1910-00	HEAT SINK(SUB)	1
5	075-0306-00	JACK(AUX)	1	34	307-0712-00	REAR-PLATE	1
6	331-4022-00	JACK HOLDER	1	35	778-3006-00	TAP SCREW(M3 x 5)	4
7	854-4601-50	EXTENSION LEAD	1	36	716-1494-50	IT SCREW(M2.6 x 6)	2
8	345-8217-01	CUSHION RUBBER	1	37	-----	SUB PWB(PN2670MA)	1
9	382-7207-80	BUTTON(LOAD)	1	38	074-0898-20	OUTLET SOCKET 20P (PN2670MA)	1
10	382-7208-80	BUTTON(EJ)	1	39	074-1013-00	OUTLET SOCKET A-12MW (PN2670MA)	1
11	382-7225-80	BUTTON(POWER)	1	40	331-3792-00	CONNECTR-HOLDER (PN2670MA)	1
12	380-5607-80	KNOB	1	41	331-4023-00	ES PLATE	1
13	335-7343-80	ILLUMI(RING)	1	42	311-1904-00	LOWER CASE	1
14	335-7344-80	ILLUMI(AUX)	1	43	929-0731-83	CD CHANGER MECH	1
15	335-7345-80	INDICATOR(L)	1	44	816-4002-50	FLAT WIRE	1
16	335-7346-80	INDICATOR(R)	1	45	313-1939-00 313-1939-10	HEAT SINK(PN2670MA) HEAT SINK(PN2670MB)	1
17	331-4021-00	SURGE PLATE	1	46	714-2606-8B	MACHINE SCREW (PN2670MA)	13
18	947-0527-00	DOOR ASSY	1		714-2606-8B	MACHINE SCREW (PN2670MB)	12
19	716-0778-50	WAVE SCREW(2 x 6)	22	47	714-2612-89	MACHINE SCREW(M2.6 x 12)	3
20	382-7223-80	BUTTON(<<)	1	48	714-2003-89	MACHINE SCREW(M2 x 3)	1
21	382-7224-80	BUTTON(TONE)	1	49	716-0878-50	IT SCREW(M2.6 x 5)	3
22	-----	MAIN PWB	1	50	714-2608-89	MACHINE SCREW(M2.6 x 8)	2
23	074-4009-20	OUTLET SOCKET(TH18-CS2)	1	51	345-5955-00	CUSHION RUBBER	1
24	074-1284-00	OUTLET SOCKET(TK12 DISP)	1	52	716-1646-50	IT SCREW(M2.6 x 8)	1
25	074-1302-12	OUTLET SOCKET(TH12 TEL)	1	53	982-2050-40	SETPLATE B	1
26	092-2210-00	ANT RECEPT	1	54	982-2049-21 982-2049-31	SETPLATE A(PN2670MA) SETPLATE A(PN2670MB)	1
27	331-3880-00	TR HOLDER	1				
28	074-1237-70	OUTLET SOCKET(20P)	1				

ELECTRICAL PARTS LIST

Main PWB(B1) section

Note) Some parts depend on each model. The model name is specified in the description.

REF No.	PART No.	DESCRIPTION	REF No.	PART No.	DESCRIPTION	REF No.	PART No.	DESCRIPTION
ANT101	092-2210-00	ANTENNA RECEPT	C208	168-1042-78	16V 0.1uF	C311	168-1022-55	1000pF K (PN2670MA)
BL101	880-2094A	AM/FM TUNER	C209	189-1073-39	16V 100uF	C312	166-2701-50	27pF CH
C101	168-2222-55	2200pF K	C210	168-1042-78	16V 0.1uF	C313	168-1022-55	1000pF K
C102	166-1511-50	150pF CH	C212	043-0548-50	2.2uF	C314	166-2701-50	27pF CH
C103	166-1007-50	10pF CH	C213	189-3373-29	10V 330uF	C315	168-1022-55	1000pF K
C104	166-4701-50	47pF CH	C215	189-1073-39	16V 100uF	C316	168-1522-55	1500pF K
C105	168-1022-55	1000pF K	C216	043-0568-90	25V 2.2uF	C317	168-4732-78	0.047uF K
C106	168-1022-55	1000pF K	C217	168-1042-78	16V 0.1uF	C318	163-2263-35	16V 22uF
C107	189-1073-29	10V 100uF	C218	168-1042-78	16V 0.1uF	C319	178-1052-78	1uF
C108	166-3301-50	33pF CH	C219	166-1011-50	100pF CH	C320	178-1052-78	1uF
C109	168-4732-78	0.047uF K	C220	166-1011-50	100pF CH	C321	168-1042-78	16V 0.1uF
C110	189-1073-29	10V 100uF	C221	166-1011-50	100pF CH	C322	166-1501-50	15pF CH
C111	168-4732-78	0.047uF K	C227	168-5632-78	16V 0.056uF	C323	163-4763-35	16V 47uF
C112	168-1022-55	1000pF K	C228	168-5632-78	16V 0.056uF	C324	168-1042-78	16V 0.1uF
C113	168-1022-55	1000pF K	C301	178-2242-78	0.22uF	C325	166-1501-50	15pF CH
C114	189-1073-29	10V 100uF	C302	163-3353-65	50V 3.3uF (PN2670MA)	C326	168-1042-78	16V 0.1uF
C115	168-1022-55	1000pF K	C303	163-3353-65	50V 3.3uF (PN2670MA)	C327	168-1832-55	0.018uF K
C116	168-1022-55	1000pF K	C304	163-3353-65	50V 3.3uF	C328	163-4753-55	35V 4.7uF
C120	119-0000-05	1/10W 0 ohm JW	C305	163-3353-65	50V 3.3uF	C329	163-1063-35	16V 10uF
C121	119-0000-05	1/10W 0 ohm JW	C306	168-2232-55	0.022uF K	C330	168-1032-55	0.01uF K
C201	166-5096-50	5pF CH(PN2670MA)	C307	168-2232-55	0.022uF K	C331	163-1063-35	16V 10uF
C202	166-5096-50	5pF CH(PN2670MA)	C308	168-2212-55	220pF K	C332	168-1032-55	0.01uF K
C203	166-5096-50	5pF CH(PN2670MA)	C309	168-1022-55	1000pF K (PN2670MA)	C333	163-2263-35	16V 22uF
C204	166-5096-50	5pF CH(PN2670MA)	C310	168-2212-55	220pF K	C334	163-4753-55	35V 4.7uF
C205	168-1522-55	1500pF K				C335	163-1063-35	16V 10uF
C206	168-1522-55	1500pF K				C336	043-0548-50	2.2uF
C207	168-1042-78	16V 0.1uF						

REF No.	PART No.	DESCRIPTION	REF No.	PART No.	DESCRIPTION	REF No.	PART No.	DESCRIPTION
C337	168-1032-55	0.01uF K	C544	166-4701-50	47pF CH	IC507	051-0352-91	TA78L05F
C338	163-1063-35	16V 10uF	C545	163-1073-35	16V 100uF	J201	074-1302-12	12P
C339	168-1032-55	0.01uF K	C546	163-2253-65	50V 2.2uF	J203	074-1237-70	20P
C340	168-2232-55	0.022uF K	C547	168-2232-55	0.022uF K	J204	074-1284-00	12P
C341	178-1052-78	1uF	C548	168-2232-55	0.022uF K	J502	074-4009-20	SOCKET(20P)
C342	168-4712-55	470pF K	C549	166-4701-50	47pF CH	L101	010-2003-04	30uH
C343	168-1042-78	16V 0.1uF	C550	168-2232-55	0.022uF K	L102	010-3407-60	22uH J
C347	168-1222-55	1200pF K	C553	168-2232-55	0.022uF K	L103	010-3407-56	3.3uH J
C348	168-1042-78	16V 0.1uF	C554	168-1042-78	16V 0.1uF	L104	010-3406-54	2.2uH J
C354	168-4712-55	470pF K	C555	172-1841-15	0.18uF	L201	010-3406-66	22uH J
C401	166-1011-50	100pF CH	C556	188-4753-58	35V 4.7uF	L301	010-2285-76	600 ohm/100MHz
C402	166-1011-50	100pF CH	C557	042-1717-00	16V 3300uF	L302	010-3407-70	47uH J
C403	163-4763-35	16V 47uF	C558	188-4753-58	35V 4.7uF	L303	010-2285-76	600 ohm/100MHz
C404	166-1801-50	18pF CH	C559	042-0423-97	16V 10uF	L401	010-3406-66	22uH J
C405	168-1042-78	16V 0.1uF	C560	168-1042-78	16V 0.1uF	L402	010-3601-50	600 ohm/100MHz
C406	168-1022-55	1000pF K	C561	168-1042-78	16V 0.1uF	L403	010-3406-54	2.2uH J
C407	168-1042-78	16V 0.1uF	C562	189-1073-39	16V 100uF	L501	010-3406-66	22uH J
C408	166-1011-50	100pF CH	C563	168-2222-55	2200pF K	L502	010-8028-00	520uH
C409	166-2201-50	22pF CH	C564	168-2232-55	0.022uF K	L503	010-3105-62	1k ohm/100MHz
C410	166-2201-50	22pF CH	C565	168-2232-55	0.022uF K	L504	010-3105-62	1k ohm/100MHz
C412	166-1007-50	10pF CH	C566	168-6822-55	6800pF K	P201	076-0368-20	20P (PN2670MA)
C413	166-1007-50	10pF CH	C567	168-2232-55	0.022uF K	P401	076-0478-59	PLUG (9P)
C414	168-1042-78	16V 0.1uF	C568	168-2232-55	0.022uF K	P402	076-0662-70	20P
C415	163-4763-15	6.3V 47uF	C569	168-2232-55	0.022uF K	Q101	190-1162-00	2SA1162
C416	166-1011-50	100pF CH	C570	168-2232-55	0.022uF K	Q102	125-2032-92	RN1302
C417	168-1042-78	16V 0.1uF	C571	168-2232-55	0.022uF K	Q201	125-2032-92	RN1302
C418	168-1042-78	16V 0.1uF	C572	168-2232-55	0.022uF K	Q202	193-2118-00	2SD2118F5 Q,R,S
C419	168-1032-55	0.01uF K	C573	178-1052-78	1uF	Q203	125-9017-92	UMD3N-TR
C420	166-2201-50	22pF CH	C574	168-1042-78	16V 0.1uF	Q205	125-0006-90	UN2110
C421	166-2201-50	22pF CH	C575	187-1063-37	16V 10uF	Q206	125-2005-91	UN2211
C422	166-2201-50	22pF CH	C576	168-2232-55	0.022uF K	Q301	125-2032-92	RN1302
C423	166-2201-50	22pF CH	C577	178-3942-78	0.39uF	Q302	125-2032-92	RN1302
C424	166-2201-50	22pF CH	C579	043-0548-50	2.2uF	Q501	125-9017-92	UMD3N-TR
C425	166-2201-50	22pF CH	C580	043-0548-50	2.2uF	Q503	103-2012-00	2SD2012
C426	043-0548-50	2.2uF	C581	043-0548-50	2.2uF	Q504	191-1240-00	2SB1240
C427	043-0548-50	2.2uF	C582	043-0548-50	2.2uF	Q505	125-2032-96	RN1306
C428	043-0548-50	2.2uF	C583	163-4753-55	35V 4.7uF	Q506	191-1240-00	2SB1240
C429	043-0548-50	2.2uF	C584	043-0568-90	25V 2.2uF	Q507	125-2032-96	RN1306
C501	178-1052-78	1uF	C585	043-0568-90	25V 2.2uF	Q508	193-2118-00	2SD2118F5 Q,R,S
C502	178-1052-78	1uF	CCT401	050-0140-54	1/32W 1k ohm x4J	Q510	193-2118-00	2SD2118F5 Q,R,S
C503	178-1052-78	1uF	CCT402	050-0140-54	1/32W 1k ohm x4J	Q511	191-1204-61	2SB1204 R,S,T
C504	178-1052-78	1uF	CCT403	050-0140-54	1/32W 1k ohm x4J	Q512	192-4116-51	2SC4116 G,L
C505	166-5611-50	560pF CH	CCT404	050-0140-54	1/32W 1k ohm x4J	Q513	191-1197-50	2SB1197K Q,R
C506	166-5611-50	560pF CH	D101	001-0466-90	S5688B	Q514	125-2032-92	RN1302
C507	166-5611-50	560pF CH	D201	001-0529-32	MA8056-M	Q515	125-2032-92	RN1302
C508	166-5611-50	560pF CH	D202	001-0516-90	MA111	Q516	125-2032-92	RN1302
C509	166-2201-50	22pF CH	D501	001-0529-49	MA8100-L	Q517	192-4116-00	2SC4116
C510	166-2201-50	22pF CH	D502	001-0516-90	MA111	Q518	192-4116-00	2SC4116
C511	189-1073-39	16V 100uF	D503	001-0529-48	MA8091-H	Q519	125-4001-90	XN1504
C512	166-2201-50	22pF CH	D505	001-0529-47	MA8091-M	Q520	125-4001-90	XN1504
C513	166-2201-50	22pF CH	D506	001-0516-90	MA111	Q521	125-0020-96	UN5110-Q,R,S
C515	166-5611-50	560pF CH	D507	001-0516-90	MA111	Q522	125-9017-92	UMD3N-TR
C516	166-5611-50	560pF CH	D508	001-0516-90	MA111	R107	119-1031-15	1/10W 10k ohm
C517	163-1063-35	16V 10uF	D510	001-2015-00	RL253	R108	119-1031-15	1/10W 10k ohm
C518	168-4722-55	4700pF K	D511	001-0516-90	MA111	R119	119-0000-05	1/10W 0 ohm JW
C519	166-5611-50	560pF CH	D512	001-0466-90	S5688B	R120	119-0000-05	1/10W 0 ohm JW
C520	166-5611-50	560pF CH	D513	001-0466-90	S5688B	R201	032-0106-65	1/10W 100k ohm D (PN2670MA)
C522	163-1063-35	16V 10uF	D514	001-0529-48	MA8091-H	R202	032-0106-65	1/10W 100k ohm D (PN2670MA)
C523	168-1042-78	16V 0.1uF	D515	001-0516-90	MA111	R203	032-0106-65	1/10W 100k ohm D (PN2670MA)
C524	178-4742-78	0.47uF	D516	001-0529-34	MA8062-L	R204	032-0106-65	1/10W 100k ohm D (PN2670MA)
C525	178-4742-78	0.47uF	D517	001-0516-90	MA111	R205	032-0106-69	1/10W 39k ohm D (PN2670MA)
C526	178-4742-78	0.47uF	D518	001-0516-90	MA111	R206	032-0106-69	1/10W 39k ohm D (PN2670MA)
C527	178-4742-78	0.47uF	D522	001-0516-90	MA111	R207	032-0106-69	1/10W 39k ohm D (PN2670MA)
C528	042-1719-90	10V 22uF	IC201	051-3020-90	NJM4565V (PN2670MA)	R208	032-0106-69	1/10W 39k ohm D (PN2670MA)
C529	189-1083-32	16V 1000uF	IC202	051-3340-00	LD1085P	R210	119-3011-15	1/10W 300 ohm
C530	178-1052-78	1uF	IC301	051-6360-30	SAA7706H-N210	R213	032-0140-89	1/10W 47k ohm F
C531	168-1042-78	16V 0.1uF	IC401	051-6212-08	LC72191JM-TLM	R214	032-0140-89	1/10W 47k ohm F
C532	168-2232-55	0.022uF K	IC402	051-9421-91	BR24L08FVM-WTR	R216	119-0000-05	1/10W 0 ohm JW
C533	189-2273-29	10V 220uF	IC403	052-3208-10	M30843MW-M09GP	R217	119-0000-05	1/10W 0 ohm JW
C534	168-2232-55	0.022uF K	IC404	051-6607-08	PCA82C250T-T	R218	119-0000-05	1/10W 0 ohm JW
C535	168-2232-55	0.022uF K	IC405	051-5417-08	S-80927CNMC-G8X			
C536	168-2232-55	0.022uF K	IC406	051-3020-90	NJM4565V			
C537	168-2232-55	0.022uF K	IC501	051-3019-90	NJM2060V			
C539	163-2263-35	16V 22uF	IC502	051-3343-00	NJM2396F33			
C540	168-2232-55	0.022uF K	IC503	051-2055-00	TDA8593J/N3			
C541	163-1063-35	16V 10uF	IC505	051-3341-90	BD3931FP			
C542	163-1073-35	16V 100uF	IC506	051-5441-08	BD4828G-TR			
C543	168-1042-78	16V 0.1uF						

REF No.	PART No.	DESCRIPTION	REF No.	PART No.	DESCRIPTION	REF No.	PART No.	DESCRIPTION
R219	119-4731-15	1/10W 47k ohm	R410	119-4721-15	1/10W 4.7k ohm	R505	119-1031-15	1/10W 10k ohm
R221	117-2211-15	1/8W 220 ohm	R411	119-4731-15	1/10W 47k ohm	R506	119-1031-15	1/10W 10k ohm
R222	119-1041-15	1/10W 100k ohm	R412	119-4731-15	1/10W 47k ohm	R507	119-1031-15	1/10W 10k ohm
R223	119-4721-15	1/10W 4.7k ohm	R413	119-3311-15	1/10W 330 ohm	R508	119-1031-15	1/10W 10k ohm
R226	119-4721-15	1/10W 4.7k ohm	R414	119-3311-15	1/10W 330 ohm	R509	119-8221-15	1/10W 8.2k ohm
R229	032-0140-98	1/10W 330 ohm F	R415	119-4721-15	1/10W 4.7k ohm	R510	119-1031-15	1/10W 10k ohm
R230	032-0140-93	1/10W 2k ohm F	R416	119-4721-15	1/10W 4.7k ohm	R511	119-1031-15	1/10W 10k ohm
R232	119-4731-15	1/10W 47k ohm	R417	119-4721-15	1/10W 4.7k ohm	R512	119-1231-15	1/10W 12k ohm
R233	119-1021-15	1/10W 1k ohm	R418	119-1031-15	1/10W 10k ohm	R513	119-1051-15	1/10W 1M ohm
R234	119-1031-15	1/10W 10k ohm	R419	119-1031-15	1/10W 10k ohm	R514	119-1051-15	1/10W 1M ohm
R235	119-6821-15	1/10W 6.8k ohm	R420	119-1011-15	1/10W 100 ohm	R515	119-1051-15	1/10W 1M ohm
R236	119-4731-15	1/10W 47k ohm	R421	119-1011-15	1/10W 100 ohm	R516	119-1051-15	1/10W 1M ohm
R238	119-3911-15	1/10W 390 ohm	R423	119-1011-15	1/10W 100 ohm	R517	119-1031-15	1/10W 10k ohm
R239	119-3911-15	1/10W 390 ohm	R424	119-1011-15	1/10W 100 ohm	R518	119-1031-15	1/10W 10k ohm
R240	119-3911-15	1/10W 390 ohm	R426	119-4731-15	1/10W 47k ohm	R519	116-1091-15	1/4W 1 ohm
R241	119-3911-15	1/10W 390 ohm	R428	119-1031-15	1/10W 10k ohm	R520	119-1031-15	1/10W 10k ohm
R242	119-3911-15	1/10W 390 ohm	R429	119-1031-15	1/10W 10k ohm	R521	119-1031-15	1/10W 10k ohm
R243	119-3911-15	1/10W 390 ohm	R430	119-2221-15	1/10W 2.2k ohm	R522	119-1031-15	1/10W 10k ohm
R301	119-1041-15	1/10W 100k ohm	R431	119-4731-15	1/10W 47k ohm	R523	119-1031-15	1/10W 10k ohm
R302	119-6821-15	1/10W 6.8k ohm (PN2670MA)	R433	119-4731-15	1/10W 47k ohm	R524	119-1031-15	1/10W 10k ohm
R303	119-6821-15	1/10W 6.8k ohm (PN2670MA)	R434	119-1031-15	1/10W 10k ohm	R525	116-1221-15	1/4W 1.2k ohm
R304	119-7521-15	1/10W 7.5k ohm	R435	119-4731-15	1/10W 47k ohm	R526	119-1021-15	1/10W 1k ohm
R305	119-7521-15	1/10W 7.5k ohm	R436	119-4731-15	1/10W 47k ohm	R527	119-1021-15	1/10W 1k ohm
R306	032-0140-89	1/10W 47k ohm F	R437	119-1021-15	1/10W 1k ohm	R528	119-1031-15	1/10W 10k ohm
R307	032-0140-89	1/10W 47k ohm F	R438	119-4731-15	1/10W 47k ohm	R529	119-1021-15	1/10W 1k ohm
R308	119-2231-15	1/10W 22k ohm	R439	119-1021-15	1/10W 1k ohm	R530	119-1021-15	1/10W 1k ohm
R309	119-2231-15	1/10W 22k ohm	R440	119-1021-15	1/10W 1k ohm	R531	116-2211-15	1/4W 220 ohm
R310	032-0140-63	1/10W 27k ohm F	R441	119-2231-15	1/10W 22k ohm	R532	116-1091-15	1/4W 1 ohm
R311	119-5631-15	1/10W 56k ohm	R442	119-4731-15	1/10W 47k ohm	R533	119-1031-15	1/10W 10k ohm
R312	032-0140-88	1/10W 100k ohm F	R443	119-4731-15	1/10W 47k ohm	R535	119-0000-05	1/10W 0 ohm JW
R313	119-2721-15	1/10W 2.7k ohm (PN2670MA)	R444	119-0000-05	1/10W 0 ohm JW	R536	117-1001-15	1/8W 10 ohm
R314	119-2721-15	1/10W 2.7k ohm (PN2670MA)	R445	119-1011-15	1/10W 100 ohm	R537	116-6811-15	1/4W 680 ohm
R315	119-1031-15	1/10W 10k ohm	R446	119-1011-15	1/10W 100 ohm	R538	119-0000-05	1/10W 0 ohm JW
R316	119-1031-15	1/10W 10k ohm	R447	119-1031-15	1/10W 10k ohm	R539	117-1001-15	1/8W 10 ohm
R318	119-1001-15	1/10W 10 ohm	R448	119-4721-15	1/10W 4.7k ohm	R540	119-3331-15	1/10W 33k ohm
R319	119-1001-15	1/10W 10 ohm	R449	119-4721-15	1/10W 4.7k ohm	R541	117-1001-15	1/8W 10 ohm
R320	119-1011-15	1/10W 100 ohm	R450	119-4731-15	1/10W 47k ohm (PN2670MB)	R542	117-1001-15	1/8W 10 ohm
R321	119-0000-05	1/10W 0 ohm JW	R451	119-4731-15	1/10W 47k ohm	R543	119-1231-15	1/10W 12k ohm
R322	119-1031-15	1/10W 10k ohm	R452	119-4731-15	1/10W 47k ohm	R544	119-1031-15	1/10W 10k ohm
R323	119-0000-05	1/10W 0 ohm JW	R453	032-0148-56	1/16W 68k ohm	R545	119-0000-05	1/10W 0 ohm JW
R324	119-1031-15	1/10W 10k ohm	R454	032-0148-56	1/16W 68k ohm	R546	119-0000-05	1/10W 0 ohm JW
R325	119-1011-15	1/10W 100 ohm	R455	032-0148-56	1/16W 68k ohm	R547	119-0000-05	1/10W 0 ohm JW
R326	119-1011-15	1/10W 100 ohm	R456	032-0148-56	1/16W 68k ohm	R548	119-0000-05	1/10W 0 ohm JW
R327	119-1031-15	1/10W 10k ohm	R457	032-0148-51	1/10W 47k ohm	R549	119-2201-15	1/10W 22 ohm
R328	119-1031-15	1/10W 10k ohm	R458	032-0148-51	1/10W 47k ohm	R550	116-1221-15	1/4W 1.2k ohm
R329	119-1011-15	1/10W 100 ohm	R459	032-0148-51	1/10W 47k ohm	R551	117-1001-15	1/8W 10 ohm
R330	119-1031-15	1/10W 10k ohm	R460	032-0148-51	1/10W 47k ohm	R552	116-1221-15	1/4W 1.2k ohm
R331	119-1011-15	1/10W 100 ohm	R461	119-1031-15	1/10W 10k ohm	R553	116-1221-15	1/4W 1.2k ohm
R332	119-0000-05	1/10W 0 ohm JW	R462	119-1031-15	1/10W 10k ohm	R554	117-1001-15	1/8W 10 ohm
R333	119-0000-05	1/10W 0 ohm JW	R463	119-1021-15	1/10W 1k ohm	R555	116-4711-15	1/4W 470 ohm
R334	119-1031-15	1/10W 10k ohm	R464	119-1021-15	1/10W 1k ohm	R556	119-1031-15	1/10W 10k ohm
R335	119-4721-15	1/10W 4.7k ohm	R465	119-1021-15	1/10W 1k ohm	R557	119-1031-15	1/10W 10k ohm
R336	119-1031-15	1/10W 10k ohm	R466	119-1021-15	1/10W 1k ohm	R558	117-1001-15	1/8W 10 ohm
R337	119-1031-15	1/10W 10k ohm	R467	119-1021-15	1/10W 1k ohm	R559	119-4721-15	1/10W 4.7k ohm
R338	119-1021-15	1/10W 1k ohm	R468	119-1021-15	1/10W 1k ohm	R560	117-1001-15	1/8W 10 ohm
R339	119-1021-15	1/10W 1k ohm	R469	119-1021-15	1/10W 1k ohm	R561	119-3321-15	1/10W 3.3k ohm
R340	119-1021-15	1/10W 1k ohm	R470	119-1021-15	1/10W 1k ohm	R564	119-1041-15	1/10W 100k ohm
R341	119-1021-15	1/10W 1k ohm	R471	119-1021-15	1/10W 1k ohm	R565	119-1521-15	1/10W 1.5k ohm
R342	119-4731-15	1/10W 47k ohm	R472	119-1021-15	1/10W 1k ohm	R566	119-1041-15	1/10W 100k ohm
R343	119-4731-15	1/10W 47k ohm	R473	119-4731-15	1/10W 47k ohm	R567	119-1031-15	1/10W 10k ohm
R344	119-0000-05	1/10W 0 ohm JW	R474	119-1041-15	1/10W 100k ohm	R568	119-4721-15	1/10W 4.7k ohm
R346	168-2222-55	2200pF K	R475	119-1021-15	1/10W 1k ohm	R569	119-4721-15	1/10W 4.7k ohm
R347	168-2222-55	2200pF K	R476	119-1041-15	1/10W 100k ohm	R570	119-4721-15	1/10W 4.7k ohm
R348	168-2222-55	2200pF K	R477	119-4731-15	1/10W 47k ohm	R571	119-4731-15	1/10W 47k ohm
R349	168-2222-55	2200pF K	R478	119-4731-15	1/10W 47k ohm	R572	032-0148-54	1/16W 180k ohm
R401	119-1021-15	1/10W 1k ohm	R479	119-4731-15	1/10W 47k ohm	R573	032-0148-50	1/10W 100k ohm
R402	119-1021-15	1/10W 1k ohm	R480	119-1021-15	1/10W 1k ohm	R574	116-4721-15	1/4W 4.7k ohm
R403	119-1021-15	1/10W 1k ohm	R481	119-1021-15	1/10W 1k ohm	R575	119-2731-15	1/10W 27k ohm
R404	119-0000-05	1/10W 0 ohm JW	R482	119-0000-05	1/10W 0 ohm JW	R576	116-2721-15	1/4W 2.7k ohm
R405	119-1021-15	1/10W 1k ohm	R483	119-0000-05	1/10W 0 ohm JW	R577	119-4731-15	1/10W 47k ohm
R406	119-1021-15	1/10W 1k ohm	R484	119-1041-15	1/10W 100k ohm	R578	116-1531-15	1/4W 15k ohm
R407	119-1021-15	1/10W 1k ohm	R486	119-1031-15	1/10W 10k ohm	R579	119-2221-15	1/10W 2.2k ohm
R408	119-1021-15	1/10W 1k ohm	R500	119-1031-15	1/10W 10k ohm	R581	116-1531-15	1/4W 15k ohm
R409	119-4731-15	1/10W 47k ohm	R501	119-1031-15	1/10W 10k ohm	R582	116-1201-15	1/4W 12 ohm
			R502	119-1031-15	1/10W 10k ohm	R583	116-1201-15	1/4W 12 ohm
			R503	119-1031-15	1/10W 10k ohm	R585	119-5611-15	1/10W 560 ohm
			R504	119-1031-15	1/10W 10k ohm	R586	119-1031-15	1/10W 10k ohm
						R587	119-0000-05	1/10W 0 ohm JW

REF No.	PART No.	DESCRIPTION	REF No.	PART No.	DESCRIPTION	REF No.	PART No.	DESCRIPTION
R588	116-1011-15	1/4W 100 ohm	R598	119-4321-15	1/10W 4.3k ohm	TH502	002-0229-90	PTH8L05B
R589	116-1221-15	1/4W 1.2k ohm	R599	119-1031-15	1/10W 10k ohm	TH503	002-0229-90	PTH8L05B
R591	119-1031-15	1/10W 10k ohm	R601	116-8211-15	1/4W 820 ohm	TM101	073-0768-90	TERMINAL
R592	119-1031-15	1/10W 10k ohm	R602	116-8211-15	1/4W 820 ohm	X301	061-3536-80	CRYSTAL
R593	119-1031-15	1/10W 10k ohm	R603	116-8211-15	1/4W 820 ohm			11.2896MHz
R594	119-1031-15	1/10W 10k ohm	R605	119-5631-15	1/10W 56k ohm	X401	061-1066-00	7.2MHz
R595	119-4321-15	1/10W 4.3k ohm	SUP121	060-0122-91	DSP-141N-S00B	X402	061-3541-90	CRYSTAL 10MHz
R596	119-4321-15	1/10W 4.3k ohm	TC401	004-1580-60	30pF	PWB	039-2921-00	PWB(WITHOUT COMPONENTS)
R597	119-4321-15	1/10W 4.3k ohm	TH201	002-0229-90	PTH8L05B			

Switch PWB(B2) section

REF No.	PART No.	DESCRIPTION	REF No.	PART No.	DESCRIPTION	REF No.	PART No.	DESCRIPTION
C601	168-1042-78	16V 0.1uF	D628	001-7093-91	RFY1112H-16-TR	R613	119-2231-15	1/10W 22k ohm
D601	001-7093-91	RFY1112H-16-TR			YEL	R614	116-4721-15	1/4W 4.7k ohm
		YEL	D629	001-7093-91	RFY1112H-16-TR	R615	119-2231-15	1/10W 22k ohm
D602	001-7093-91	RFY1112H-16-TR			YEL	R616	116-6821-15	1/4W 6.8k ohm
		YEL	D630	001-7093-91	RFY1112H-16-TR	R617	116-6821-15	1/4W 6.8k ohm
D603	001-7093-91	RFY1112H-16-TR			YEL	R618	116-5621-15	1/4W 5.6k ohm
		YEL	D631	001-7093-91	RFY1112H-16-TR	R619	116-2721-15	1/4W 2.7k ohm
D604	001-7093-91	RFY1112H-16-TR			YEL	R620	116-2221-15	1/4W 2.2k ohm
		YEL	D633	001-7093-91	RFY1112H-16-TR	R621	116-2421-15	1/4W 2.4k ohm
D605	001-7093-91	RFY1112H-16-TR			YEL	R622	116-2721-15	1/4W 2.7k ohm
		YEL	D634	001-7093-91	RFY1112H-16-TR	R623	116-2421-15	1/4W 2.4k ohm
D606	001-7093-91	RFY1112H-16-TR			YEL	R624	116-4721-15	1/4W 4.7k ohm
		YEL	D635	001-7093-91	RFY1112H-16-TR	R625	116-4721-15	1/4W 4.7k ohm
D607	001-7093-91	RFY1112H-16-TR			YEL	S601	013-6206-50	SKPMANE010
		YEL	D636	001-7093-91	RFY1112H-16-TR	S602	013-7415-50	SPVG110400
D608	001-7093-91	RFY1112H-16-TR			YEL	S603	013-6206-50	SKPMANE010
		YEL	D638	001-7093-91	RFY1112H-16-TR	S604	013-6206-50	SKPMANE010
D609	001-7093-91	RFY1112H-16-TR			YEL	S605	013-6204-50	TACT SW
		YEL	D639	001-7093-91	RFY1112H-16-TR			SKPMASE010
D610	001-7093-91	RFY1112H-16-TR			YEL	S606	013-6204-50	TACT SW
		YEL	D640	001-7093-91	RFY1112H-16-TR			SKPMASE010
D611	001-7093-91	RFY1112H-16-TR			YEL	S607	013-6206-50	SKPMANE010
		YEL	D641	001-7093-91	RFY1112H-16-TR	S608	013-6206-50	SKPMANE010
D612	001-7093-91	RFY1112H-16-TR			YEL	S609	013-6206-50	SKPMANE010
		YEL	D644	001-7093-91	RFY1112H-16-TR	S610	013-6206-50	SKPMANE010
D613	001-7093-91	RFY1112H-16-TR			YEL	S611	013-6206-50	SKPMANE010
		YEL	D645	001-7093-91	RFY1112H-16-TR	S612	013-6206-50	SKPMANE010
D614	001-7093-91	RFY1112H-16-TR			YEL	S613	013-6206-50	SKPMANE010
		YEL	IC601	051-6618-18	M6606FP-42A	S614	013-6206-50	SKPMANE010
D615	001-7093-91	RFY1112H-16-TR	J601	074-1279-70	20P	S615	013-6206-50	SKPMANE010
		YEL	P601	076-0478-55	PLUG	S616	013-6206-50	SKPMANE010
D616	001-7093-91	RFY1112H-16-TR	R601	119-0000-05	1/10W 0 ohm JW	S617	013-6206-50	SKPMANE010
		YEL	R602	119-1021-15	1/10W 1k ohm	S618	013-6204-50	TACT SW
D617	001-7093-91	RFY1112H-16-TR	R603	119-1021-15	1/10W 1k ohm			SKPMASE010
		YEL	R604	119-1021-15	1/10W 1k ohm	S619	013-6204-50	TACT SW
D618	001-7093-91	RFY1112H-16-TR	R605	119-1021-15	1/10W 1k ohm			SKPMASE010
		YEL	R606	119-1021-15	1/10W 1k ohm	S620	013-6206-50	SKPMANE010
D624	001-0529-72	MA8200-M	R609	116-1821-15	1/4W 1.8k ohm	S621	013-6206-50	SKPMANE010
D625	001-0529-72	MA8200-M	R610	119-2231-15	1/10W 22k ohm	S623	013-6206-50	SKPMANE010
D626	001-0529-72	MA8200-M	R611	116-7511-15	1/4W 750 ohm	PWB	039-2922-00	PWB(WITHOUT COMPONENTS)
D627	001-0529-72	MA8200-M	R612	119-2231-15	1/10W 22k ohm			

Sub PWB(B3) section (For PN-2670M-A)

REF No.	PART No.	DESCRIPTION	REF No.	PART No.	DESCRIPTION	REF No.	PART No.	DESCRIPTION
C820	043-0548-50	2.2uF	D825	001-0516-90	MA111	R821	119-3011-15	1/10W 300 ohm
C821	043-0548-50	2.2uF	D826	001-0516-90	MA111	R822	119-1021-15	1/10W 1k ohm
C822	043-0548-50	2.2uF	J820	074-1013-00	12P	R824	119-5621-15	1/10W 5.6k ohm
C823	043-0548-50	2.2uF	J821	074-0898-20	20P	R825	119-5621-15	1/10W 5.6k ohm
C824	168-2232-55	0.022uF K	L801	010-3105-62	1k ohm/100MHz	R827	119-5631-15	1/10W 56k ohm
C826	168-1022-55	1000pF K	L802	010-3105-62	1k ohm/100MHz	R828	119-5631-15	1/10W 56k ohm
C827	168-1022-55	1000pF K	L803	010-3105-62	1k ohm/100MHz	R830	119-1031-15	1/10W 10k ohm
C828	168-1022-55	1000pF K	L804	010-3105-62	1k ohm/100MHz	R831	119-1031-15	1/10W 10k ohm
C831	168-1022-55	1000pF K	Q820	192-4116-00	2SC4116	R836	119-5631-15	1/10W 56k ohm
C832	168-1022-55	1000pF K	Q824	192-4116-00	2SC4116	R837	119-1031-15	1/10W 10k ohm
C833	168-1022-55	1000pF K	Q825	192-4116-00	2SC4116	R840	119-2231-15	1/10W 22k ohm
C834	168-1022-55	1000pF K	Q826	125-0020-91	UN5111	R842	119-4731-15	1/10W 47k ohm
D820	001-0529-44	MA8082-M	Q829	125-2026-91	UN5211	PWB	039-2559-00	PWB(WITHOUT COMPONENTS)
D823	001-4305-39	UDZSTE-17 36B	R820	119-3011-15	1/10W 300 ohm			

Service Manual

6 Disc CD Changer Module

Model **929-0731-83**

EXPLANATION OF IC

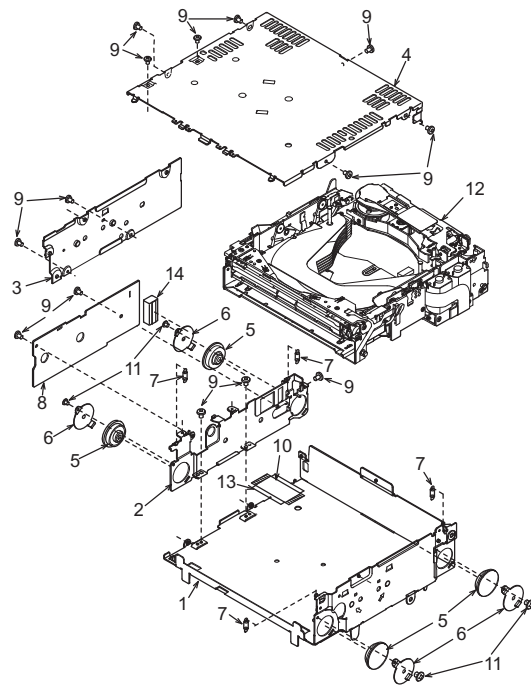
052-5062-05 MBM29DL800BA-90PFTN 8 M bit Flash Memory

Terminal Description

pin 1: Address 15	:IN: Address signal input.
pin 2: Address 14	:IN: Address signal input.
pin 3: Address 13	:IN: Address signal input.
pin 4: Address 12	:IN: Address signal input.
pin 5: Address 11	:IN: Address signal input.
pin 6: Address 10	:IN: Address signal input.
pin 7: Address 9	:IN: Address signal input.
pin 8: Address 8	:IN: Address signal input.
pin 9: NU	: - : Not in use.
pin 10: NU	: - : Not in use.
pin 11: WE	:IN: Write enable signal input.
pin 12: RESET	:IN: Reset signal input.
pin 13: NU	: - : Not in use.
pin 14: NU	: - : Not in use.
pin 15: Ready/Busy	:O: Ready/Busy flag output, H = Ready.
pin 16: Address 18	:IN: Address signal input.
pin 17: Address 17	:IN: Address signal input.
pin 18: Address 7	:IN: Address signal input.
pin 19: Address 6	:IN: Address signal input.
pin 20: Address 5	:IN: Address signal input.
pin 21: Address 4	:IN: Address signal input.
pin 22: Address 3	:IN: Address signal input.
pin 23: Address 2	:IN: Address signal input.
pin 24: Address 1	:IN: Address signal input.
pin 25: Address 0	:IN: Address signal input.
pin 26: CE	:IN: Chip enable signal input.
pin 27: VSS	: - : Negative supply voltage.
pin 28: OE	:IN: Output enable signal input.
pin 29: DQ 0	:I/O: The data input / output.
pin 30: DQ 8	:I/O: The data input / output.
pin 31: DQ 1	:I/O: The data input / output.
pin 32: DQ 9	:I/O: The data input / output.
pin 33: DQ 2	:I/O: The data input / output.
pin 34: DQ 10	:I/O: The data input / output.
pin 35: DQ 3	:I/O: The data input / output.
pin 36: DQ 11	:I/O: The data input / output.
pin 37: VCC	: - : Positive supply voltage.
pin 38: DQ 4	:I/O: The data input / output.
pin 39: DQ 12	:I/O: The data input / output.
pin 40: DQ 5	:I/O: The data input / output.
pin 41: DQ 13	:I/O: The data input / output.
pin 42: DQ 6	:I/O: The data input / output.
pin 43: DQ 14	:I/O: The data input / output.
pin 44: DQ 7	:I/O: The data input / output.
pin 45: DQ 15/A-1	:I/O: The data input/output, TheAddress signal input.
pin 46: VSS	: - : Negative supply voltage.
pin 47: BYTE	:IN: The data length selection(8bit/16bit).
pin 48: Address 16	:IN: Address signal input.

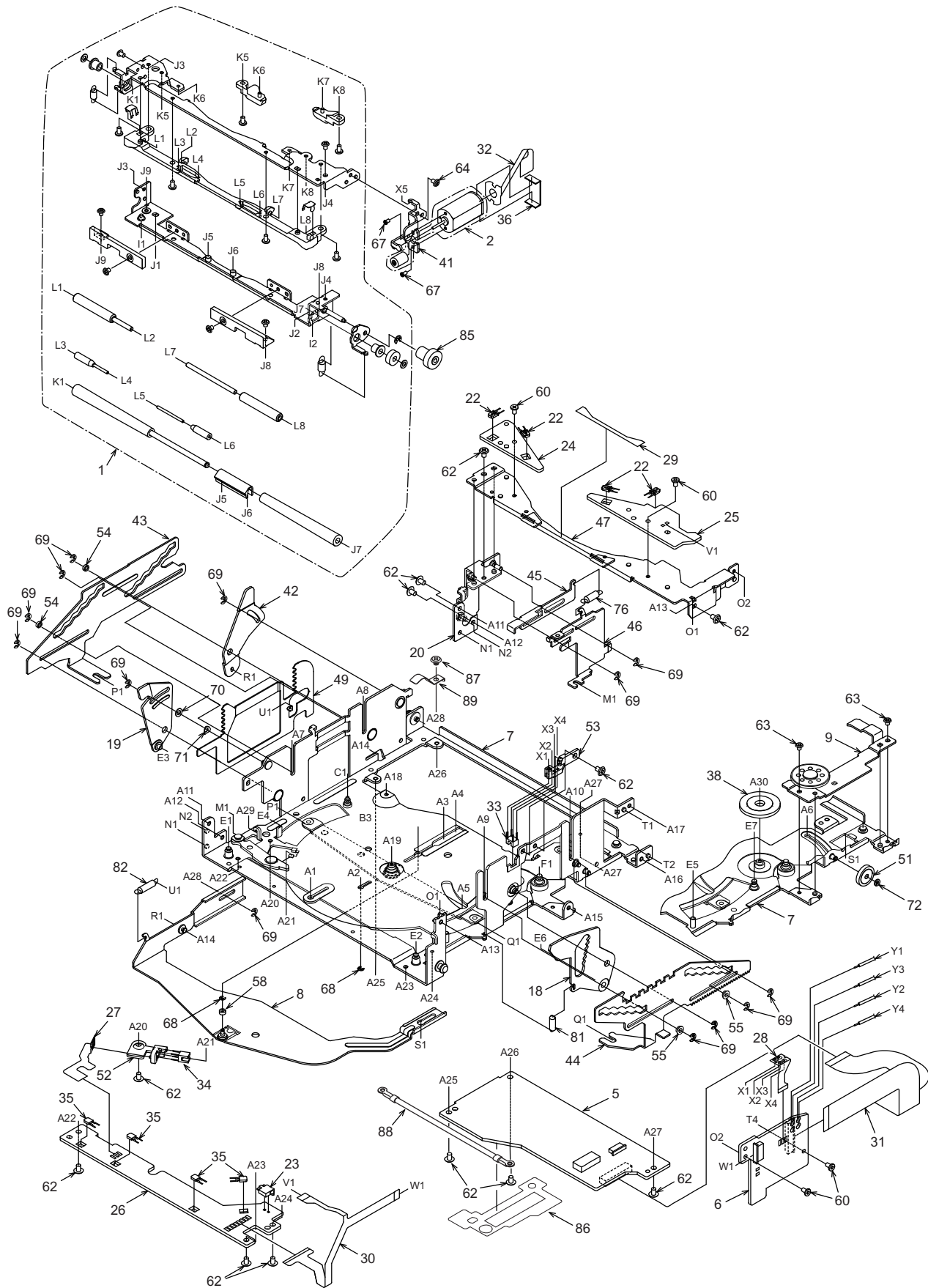
EXPLODED VIEW/PARTS LIST

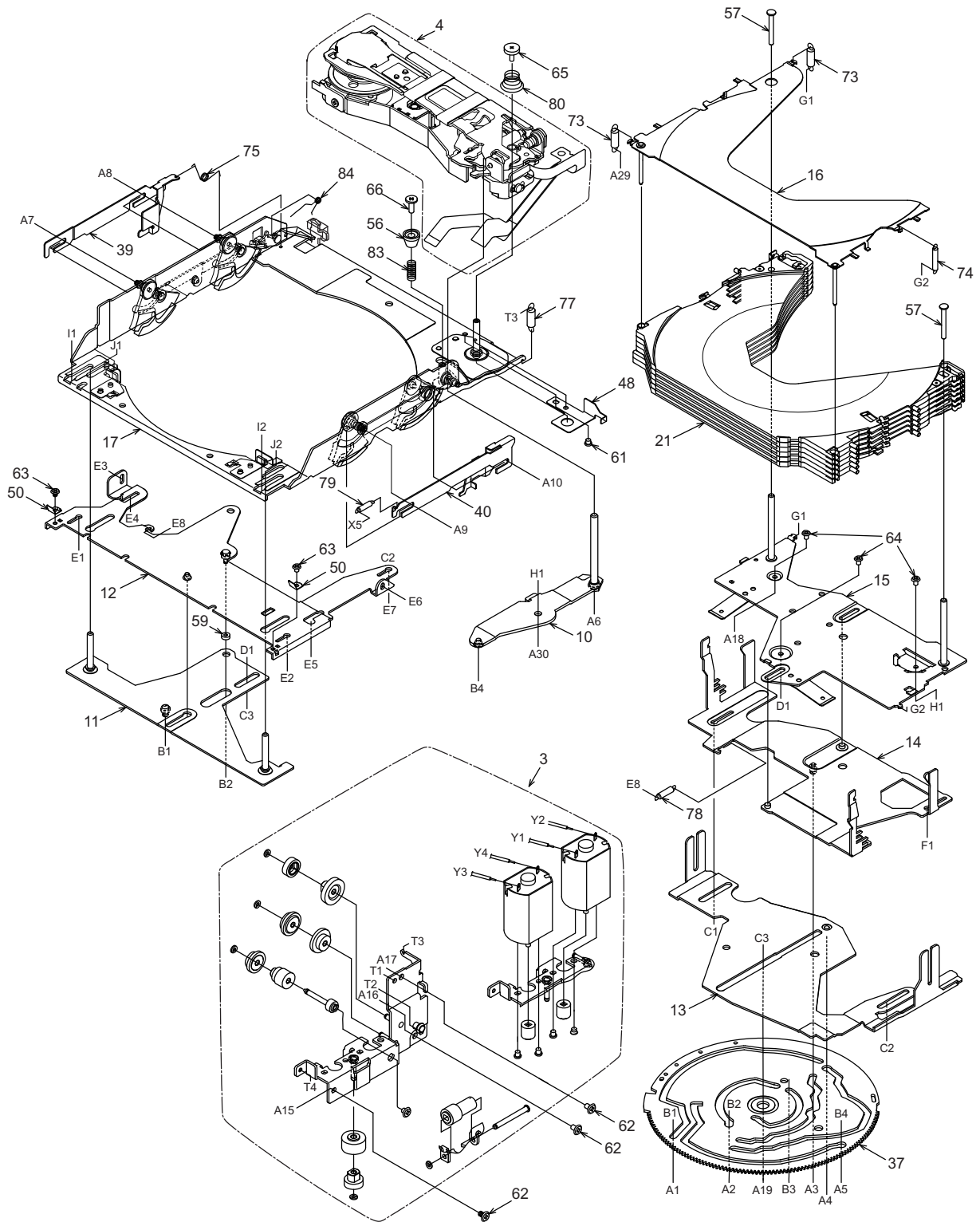
CD changer module section



NO.	PART NO.	DESCRIPTION	QTY
1	311-1864-24	LOWER CASE	1
2	331-3896-22	PWB-HOLDER	1
3	305-0334-20	SIDE CASE	1
4	310-1741-28	UPPER CASE	1
5	629-0083-01	DAMPER	4
6	620-1086-20	DAMPER-H-PLT	4
7	750-3491-00	FL-SPRING	4
8	-----	CD PWB	1
9	716-1716-02	SCREW(M2 x 3)	14
10	HBS-561-100	FPC	1
11	716-3450-00	SCREW(M1.7 x 2)	4
12	-----	CD CHANGER MECHANISM	1
13	347-6619-00	INSULATOR	1
14	345-8748-00	GASKET	1

CD changer mechanism section

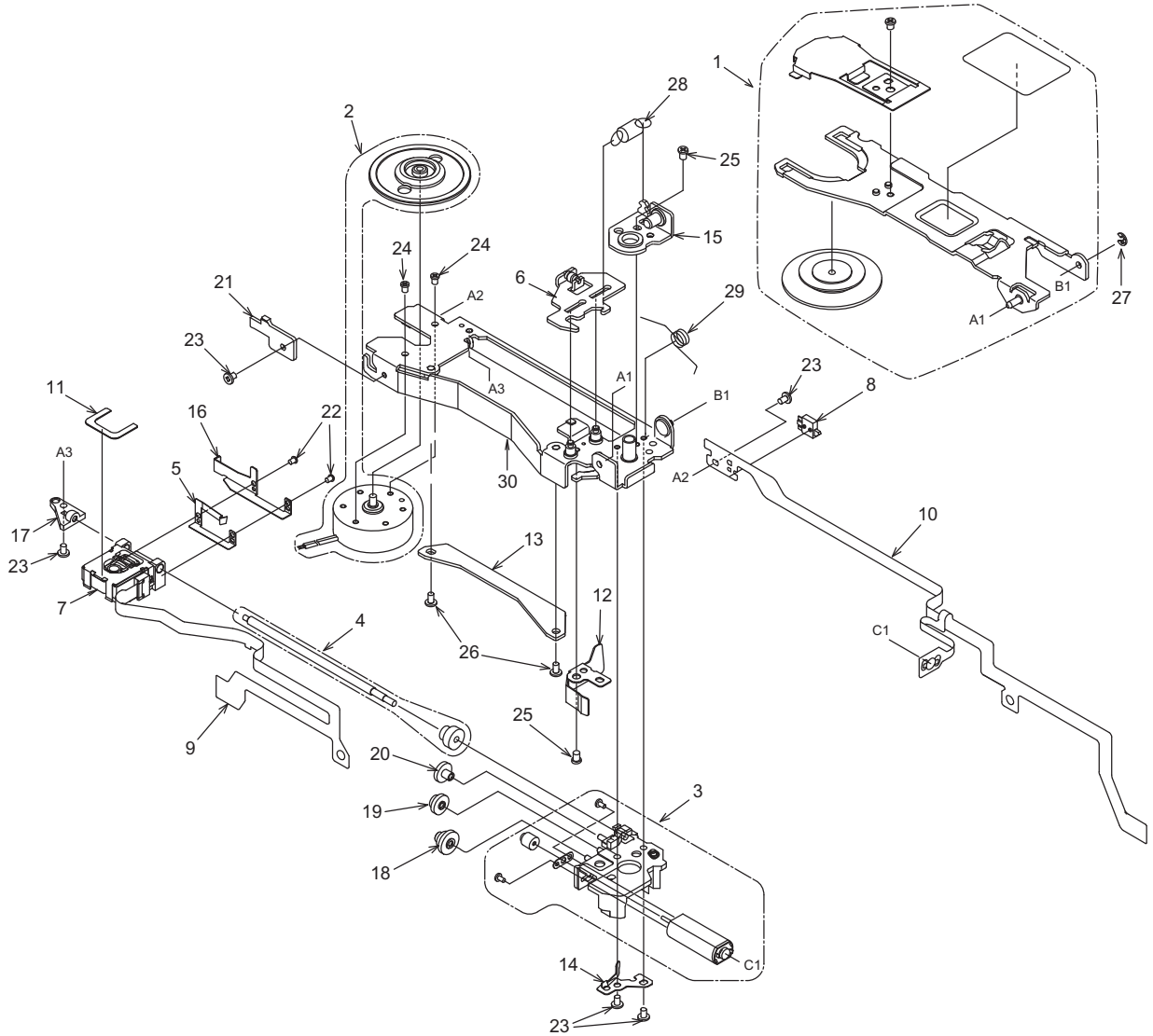




CD changer mechanism section

NO.	PART NO.	DESCRIPTION	Q'TY	NO.	PART NO.	DESCRIPTION	Q'TY
1	HBS-562-100	LOADING UNIT (WITHOUT MOTOR)	1	45	620-1071-21	EJECT ARM	1
2	SMA-186-100	LOADING MOTOR ASSY	1	46	620-1072-20	EJECT PLATE	1
3	HBS-530-100	MOTOR PLATE SUB ASSY	1	47	620-1577-20	FRONT PLATE	1
4	HBS-592-100	DRIVE UNIT	1	48	620-1083-20	FPC-PLATE	1
5	-----	DSP PWB	1	49	620-1090-20	GAP PLATE	1
6	-----	DRIVER PWB	1	50	620-1568-21	RATTLE PLATE-F	2
7	966-1751-22	CHASSIS ASSY	1	51	621-0640-20	V-GEAR-G	1
8	966-0600-23	LOCK-P-RE-ASSY	1	52	621-0641-21	PI-HOLDER-M	1
9	966-0601-21	M-GEAR-P-ASSY	1	53	621-0656-21	PI-HOLDER-V	1
10	966-0602-26	DR-LINK-ASSY	1	54	622-1622-20	SL-G-ROLLER	2
11	966-0603-21	MODE-P-ASSY	1	55	622-1623-00	SL-G-ROLLER-R	2
12	966-0604-26	LOCK-PF-ASSY	1	56	622-1648-23	DU-STP-SLEEVE	1
13	966-0605-20	SHIFT-P-ASSY	1	57	622-1650-23	COV-PLATE PIN-B	2
14	966-0606-23	HLC-PLATE-ASSY	1	58	622-1651-00	LOCK-RE-ROLLER	1
15	966-1788-22	COV-PLATE-ASSY	1	59	622-1652-00	LOCK-PF-ROLLER	1
16	HBS-535-100	TOP-PLATE-ASSY	1	60	716-1866-50	SCREW(M1.7x3)	4
17	966-0652-24	DR-BASE-P-ASSY	1	61	716-1873-00	SCREW(M2x1.6)	1
18	966-0615-21	LOCK-L-RF-ASSY	1	62	716-3449-50	SCREW(M2x3)	15
19	966-0616-20	LOCK-L-LF-ASSY	1	63	716-3450-00	SCREW(M1.7x2)	4
20	966-0618-21	EJECT-B-ASSY	1	64	716-3451-01	SCREW(M1.7x2.5)	4
21	966-1742-20	DISC-HOL-ASSY	1	65	716-3459-01	SCREW(M1.7x5)	1
22	001-7042-00	DIODE (GL4800)	4	66	716-3466-53	SCREW(M2x6)	1
23	013-7414-50	DETECTOR SWITCH	1	67	738-1422-1B	PRECISION SCREW	2
24	-----	LED-L-PWB	1	68	743-1200-10	E-RING	2
25	-----	LED-R-PWB	1	69	743-1500-10	E-RING	13
26	-----	SENSOR PWB	1	70	746-0624-00	WASHER	1
27	039-2009-00	PIM-FPC (WITHOUT COMPONENT)	1	71	746-0712-23	WASHER	1
28	039-2010-00	PIV-FPC (WITHOUT COMPONENT)	1	72	746-0761-00	WASHER	1
29	039-2011-01	LED-FPC	1	73	750-3478-01	TOP-P-SP-L	2
30	039-2012-00	SENSOR-FPC	1	74	750-3479-01	TOP-P-SP-R	1
31	039-2013-04	MOS-FPC	1	75	750-3480-01	DR-LOCK-SP	1
32	039-2014-01	L-MOTOR-FPC (WITHOUT COMPONENT)	1	76	750-3483-00	EJECT-A-SPRING	1
33	051-5806-01	IC (GPIS93)	1	77	750-3484-01	DR-BASE-SPRING	1
34	051-5806-02	IC (GPIS95)	1	78	750-3485-01	TENSION-SP-L	1
35	060-0252-01	PHOTO-TR	4	79	750-3486-01	LO-TENSION-SP	1
36	347-6657-01	LO-COVER SHEET	1	80	750-3489-01	DRIVE-P-SPRING	1
37	620-1041-26	GEAR PLATE	1	81	750-3496-00	GAP-P-SPRING R	1
38	620-1042-20	M-GEAR-H	1	82	750-3497-00	GAP-P-SPRING L	1
39	620-1056-22	HLR-PLATE-L	1	83	750-6711-01	DU-STP-SPRING	1
40	620-1580-20	HLR-PLATE-R	1	84	750-6712-01	DR-LOCK-SP-B	1
41	620-1576-20	LO-MOTOR-PLT	1	85	621-0651-22	LOAD GEAR-A	1
42	620-1066-20	LOCK LINK-LR	1	86	347-7860-20	FPC COVER	1
43	620-1067-21	SLIDE PLATE-L	1	87	716-1850-01	SCREW	1
44	620-1068-22	SLIDE PLATE-R	1	88	854-4348-01	EXTENSION LEAD	1
				89	620-1604-20	DR-PLATE-SCREW	1

Drive unit section : Drive unit : HBS-592-100



NO.	PART NO.	DESCRIPTION	Q'TY
1	HBS-532-101	CLAMPER SUB ASSY	1
2	SMA-196-100	SPINDLE MOTOR ASSY	1
3	SMA-191-100	SLED MOTOR ASSY	1
4	HBS-515-103	LS-ASSY	1
5	620-1587-03	SH-SP-PLT	1
6	HBS-542-101	D-SHIFT-P-ASSY	1
7	969-0011-01	PICK UP-ASSY	1
8	013-7414-50	DETECT SWITCH	1
9	039-2015-02	P/U-FPC	1
10	039-2016-02	M/S-FPC (WITHOUT COMPONENT)	1
11	347-6632-00	PU-SHEET	1
12	620-1078-21	PUSH PLATE	1
13	620-1080-22	PU-GUIDE PLATE	1
14	620-1081-20	SCREW PUSH-PLT	1
15	966-0650-20	SPRING PLT ASSY	1

NO.	PART NO.	DESCRIPTION	Q'TY
16	620-1730-01	SCREW-HOL-PLT	1
17	621-0670-20	LS-HOLDER-L	1
18	621-0673-20	D-GEAR A	1
19	621-0674-20	D-GEAR B	1
20	621-0675-20	D-GEAR C	1
21	621-0683-21	DU-STOPPER	1
22	716-3511-01	SCREW(M1.4x3)	2
23	716-3470-01	SCREW(M1.7x3)	5
24	716-3527-00	SCREW	2
25	738-2025-1H	PRECISION SCREW(M2x2.5)	2
26	716-3474-01	SCREW(M1.7x3)	2
27	743-1500-20	E-RING	1
28	750-3487-00	SHIFT-P-SPRING	1
29	750-3504-00	CLAMP-A-SPRING	1
30	966-0649-02	DRIVE PLT-ASSY	1

ELECTRICAL PARTS LIST

Note) Several different parts of the same reference number are alternative parts.
One of those parts is used in the set.

CD PWB section(BM1)

REF No.	PART No.	DESCRIPTION	REF No.	PART No.	DESCRIPTION	REF No.	PART No.	DESCRIPTION
C1	168-4735-56	0.047uF Z	IC3	052-5061-02	M30621MCM-FW6GP	R24	119-4731-15	1/10W 47k ohm
C2	168-4735-56	0.047uF Z				R25	119-1031-15	1/10W 10k ohm
C4	168-1222-55	1200pF K	IC4	051-9402-78	BR93L56RFVM-W	R26	119-4721-15	1/10W 4.7k ohm
C5	163-2263-35	16V22uF	IC5	051-3332-90	NJU7222U33	R27	119-1031-15	1/10W 10k ohm
C6	168-1222-55	1200pF K	IC6	051-3293-90	BA033SFP-E2	R28	119-1041-15	1/10W 100k ohm
C12	168-1222-55	1200pF K	J1	074-1189-95	45P	R29	119-1041-15	1/10W 100k ohm
C15	168-1222-55	1200pF K	J3	074-1237-70	20P	R31	119-4731-15	1/10W 47k ohm
C16	163-2263-35	16V22uF	P1	076-0478-55	PLUG	R32	119-0000-05	1/10W 0 ohm JW
C18	168-1045-56	0.1uF Z	Q3	190-1162-00	2SA1162	R35	119-0000-05	1/10W 0 ohm JW
C19	166-1011-50	100pF CH	Q4	198-3018-00	2SK3018	R36	119-4731-15	1/10W 47k ohm
C21	168-1032-55	0.01uF K	Q5	131-1188-50	2SB1188PQR	R37	119-4731-15	1/10W 47k ohm
C22	168-1045-56	0.1uF Z	Q6	198-3018-00	2SK3018	R38	119-2231-15	1/10W 22k ohm
C23	168-1045-56	0.1uF Z	Q7	125-2004-92	RN1402	R39	119-2231-15	1/10W 22k ohm
C24	168-1032-55	0.01uF K		125-2020-92	RN1402TE85L	R40	119-2231-15	1/10W 22k ohm
C25	163-1073-15	6.3V100uF	Q8	125-2004-92	RN1402	R41	119-4711-15	1/10W 470 ohm
C26	178-1052-78	1uF		125-2020-92	RN1402TE85L	R42	119-2231-15	1/10W 22k ohm
C27	168-1045-56	0.1uF Z	Q9	125-0014-92	DTA114EK	R43	119-2241-15	1/10W 220k ohm
C28	042-0671-01	10V 47uF TA		125-0002-92	RN2402TE85L	R60	119-0000-05	1/10W 0 ohm JW
C29	168-1045-56	0.1uF Z	Q53	193-0601-00	2SD601A	R530	119-4731-15	1/10W 47k ohm
C30	178-3342-78	0.33uF	R2	119-2211-15	1/10W 220 ohm	R550	119-4731-15	1/10W 47k ohm
C31	042-1673-00	10V 220uF	R4	119-4731-15	1/10W 47k ohm	TM1	073-0768-90	TERMINAL
CCT4	050-0140-55	1/32W 2.2k ohmx4J	R8	119-4731-15	1/10W 47k ohm	TM2	073-0766-90	TERMINAL
CCT5	050-0145-54	1/16W 47k ohm x4	R10	119-2211-15	1/10W 220 ohm	TM4	073-0766-90	TERMINAL
CCT6	050-0145-53	1/16W 220k ohm x4	R13	119-1041-15	1/10W 100k ohm	TM5	073-0766-90	TERMINAL
			R14	119-2221-15	1/10W 2.2k ohm	X1	060-1533-90	CSTCE10M0G52-R0
D2	001-2610-90	RB480KTL	R15	119-1041-15	1/10W 100k ohm	PWB	039-2532-20	PWB(WITHOUT COMPONENT)
IC2	051-5445-08	BD5227G-TR	R16	119-1021-15	1/10W 1k ohm			
			R20	119-4731-15	1/10W 47k ohm			

DSP PWB section(BM2)

REF No.	PART No.	DESCRIPTION	REF No.	PART No.	DESCRIPTION	REF No.	PART No.	DESCRIPTION
C1	042-0671-01	10V 47uF TA	C43	042-0671-01	10V 47uF TA	IC9	051-6700-00	TMS320DA140 PGE160
C2	168-4735-56	0.047uF Z	C44	046-6812-58	680pF	IC10	051-3315-90	TPS76316DBVR
C3	046-4722-58	4700pF	C45	168-1045-56	0.1uF Z	IC11	051-7221-58	SN74AHC1G04 HDCKR
C4	046-1032-78	0.01uF	C46	168-1045-56	0.1uF Z	IC12	051-7525-08	SN74LVC2GU04 DCKR
C5	168-1045-56	0.1uF Z	C47	042-0671-01	10V 47uF TA	IC13	051-7526-08	SN74LVC1G126 DCKR
C6	042-0671-01	10V 47uF TA	C48	168-5632-78	16V 0.056uF	J1	074-1201-65	15P
C7	168-1045-56	0.1uF Z	C49	168-1045-56	0.1uF Z	J2	074-1138-56	6P
C8	168-1045-56	0.1uF Z	C50	168-1045-56	0.1uF Z	J3	074-1059-76	26P
C9	045-1007-50	10pF	C51	168-1045-56	0.1uF Z	J4	074-1189-95	45P
C10	168-1045-56	0.1uF Z	C53	168-1045-56	0.1uF Z	J5	074-1201-60	10P
C11	045-1007-50	10pF	C54	042-0671-01	10V 47uF TA	L2	010-3104-54	600ohm / 100MHZ
C12	168-1045-56	0.1uF Z	C56	168-4712-55	470pF K	L3	010-3104-54	600ohm / 100MHZ
C13	042-0672-00	25V 47uF TA	C57	046-1032-78	0.01uF	Q1	131-1188-50	2SB1188PQR
C14	168-4735-56	0.047uF Z	C58	168-4712-55	470pF K	Q2	131-1188-50	2SB1188PQR
C15	168-4735-56	0.047uF Z	C59	168-1045-56	0.1uF Z	Q3	125-2004-92	RN1402
C16	168-4735-56	0.047uF Z	C60	168-1045-56	0.1uF Z		125-2020-92	RN1402TE85L
C17	178-1052-78	1uF	C61	046-1032-78	0.01uF	R1	033-1021-15	1/10W 1k ohm
C18	045-4701-50	47pF	C62	042-0671-01	10V 47uF TA	R2	033-1021-15	1/10W 1k ohm
C19	168-1045-56	0.1uF Z	C63	046-1032-78	0.01uF	R3	033-3311-15	1/10W 330 ohm
C20	046-4712-58	470pF	C64	168-1045-56	0.1uF Z	R4	033-2211-15	1/10W 220 ohm
C21	046-4712-58	470pF	C65	045-1201-50	12pF	R5	033-2211-15	1/10W 220 ohm
C22	168-1045-56	0.1uF Z	C66	046-1032-78	0.01uF	R6	033-1021-15	1/10W 1k ohm
C23	046-1532-78	0.015uF	C67	046-1032-78	0.01uF	R7	033-1051-15	1/10W 1M ohm
C24	168-1045-56	0.1uF Z	C68	168-1045-56	0.1uF Z	R8	033-0000-05	1/10W 0 ohm
C25	046-6822-58	6800pF	C69	045-1201-50	12pF	R10	033-5621-15	1/10W 5.6k ohm
C26	046-1032-78	0.01uF	C101	046-1032-78	0.01uF	R11	033-4731-15	1/10W 47k ohm
C28	046-1022-58	1000pF	C102	046-1032-78	0.01uF	R12	119-3341-15	1/10W 330k ohm
C29	046-3332-78	0.033uF	CCT1	050-0140-68	1/32W 3.3k ohm x4J	R13	033-2231-15	1/10W 22k ohm
C32	046-4722-58	4700pF	CCT4	050-0140-63	1/32W 47k ohm x4J	R14	033-2231-15	1/10W 22k ohm
C33	046-1522-58	1500pF	D1	001-0367-91	1SS226	R15	117-1001-15	1/8W 10 ohm
C34	168-1045-56	0.1uF Z	D2	001-2610-90	RB480KTL	R16	033-5631-15	1/10W 56k ohm
C35	046-1532-78	0.015uF	IC2	051-6399-00	TC94A15F	R17	033-3331-15	1/10W 33k ohm
C36	168-1045-56	0.1uF Z	IC3	051-6060-08	BD7961FM-E2	R18	033-6831-15	1/10W 68k ohm
C37	168-1045-56	0.1uF Z	IC4	051-7518-18	SN74LVC139APWR	R19	033-6831-15	1/10W 68k ohm
C38	042-0671-01	10V 47uF TA	IC5	052-5062-05	MBM29DL800BA-90PFTN	R20	033-1011-15	1/10W 100 ohm
C39	178-1052-78	1uF						
C40	045-6801-50	68pF	IC6	051-7518-18	SN74LVC139APWR			
C41	168-1045-56	0.1uF Z	IC7	051-9330-00	K4S641632F-TC60			
C42	178-1052-78	1uF	IC8	051-7203-48	SN74LV74APW			