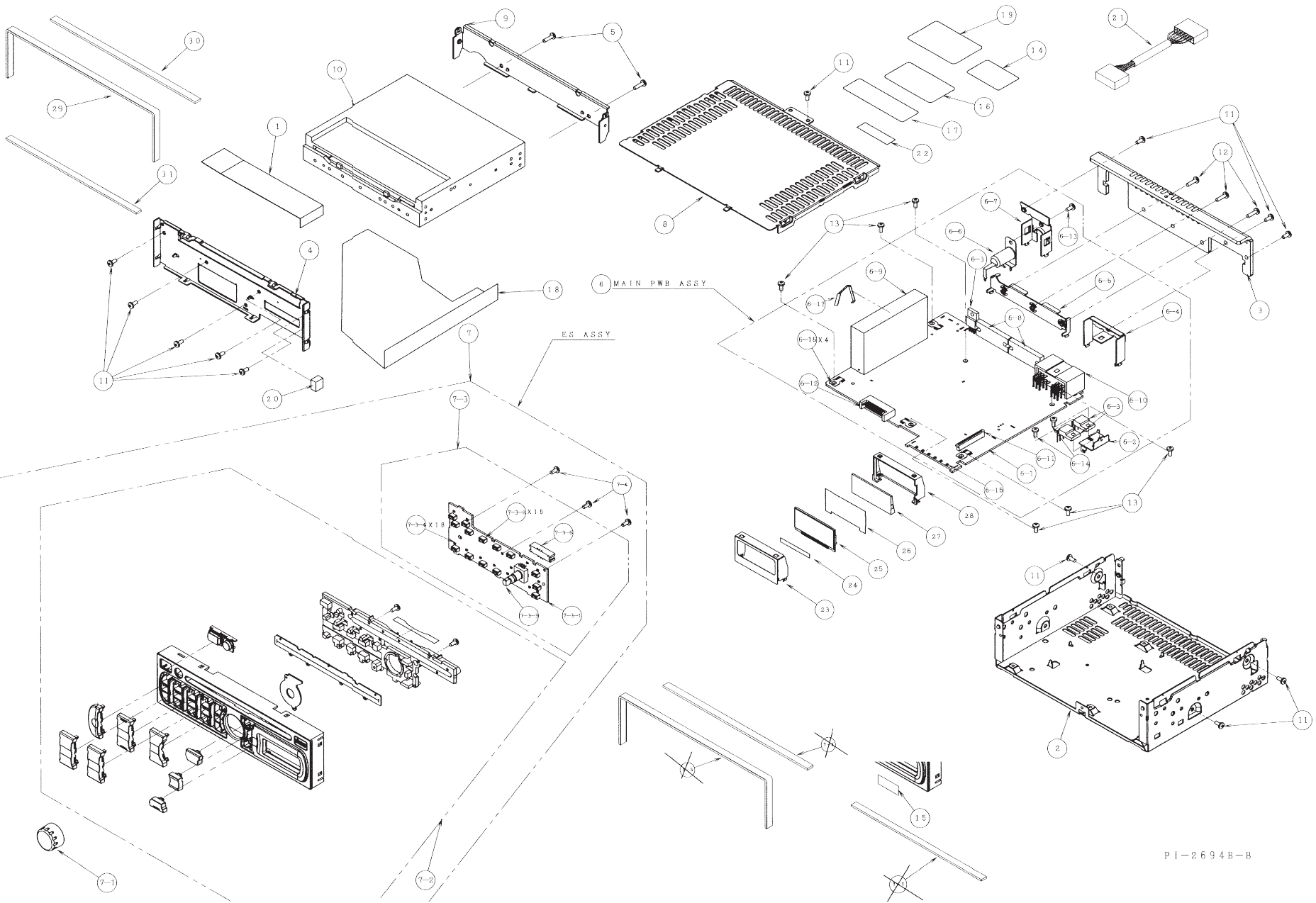


# EXPLODED VIEW / PARTS LIST

NO.	PART NO.	DESCRIPTION	Q'TY
1	816-4027-50	FLAT WIRE	1
2	311-1915-00	LOWER CASE	1
3	313-1963-00	HEAT SINK	1
4	309-0820-00	ES PLATE	1
5	714-2603-8H	MACHINE SCREW	2
6	-----	MAIN-PWB-ASSY(2893E/F7-53)	1
6-1	-----	MAIN PWB(365801-039)	1
6-2	331-3458-00	TR HOLDER	1
6-3	103-2012-00	TRANSISTOR	3
6-4	331-4133-00	CONN HOLDER	1
6-5	331-4132-00	IC HOLDER(24V)	1
6-6	092-0702-50	ANT-RECEPT	1
6-7	331-3444-20	ANT HOLDER	1
6-8	051-1805-00	IC	2
6-9	941-0215-73	TUNER PACK	1
6-10	074-1061-00	OUTLET SOCKET	1
6-11	074-1192-26	OUTLET SOCKET	1
6-12	076-0540-16	PLUG	1
6-13	714-2606-8B	MACHINE SCREW	1
6-14	716-0878-50	SPECIAL SCREW	2
6-15	001-7048-93 001-7048-94	DIODE(PJ2893TE) DIODE(PJ2893TF)	6 6
6-16	073-0762-90	TERMINAL	4
6-17	331-4312-01	EARTH PLATE	1
7	-----	PANEL-ASSY(2875E0/2893B0-45)	1
7-1	380-5660-00	KNOB	1
7-2	940-8121-11 940-8121-01	ES-ASSY(PJ2893TE) ES-ASSY(PJ2893TF)	1 1
7-3	-----	SW-PWB-ASSY(2694D/C7-51)	1
7-3-1	-----	SW PWB(348600-039)	1
7-3-2	013-6305-51	SWITCH	15
7-3-3	016-0018-15	VR W/SHAFT	1
7-3-4	001-7048-93 001-7048-94	DIODE(PJ2893TE) DIODE(PJ2893TF)	18

NO.	PART NO.	DESCRIPTION	Q'TY
7-3-5	074-1151-16	OUTLET SOCKET	1
7-4	716-0778-51	SPECIAL SCREW	3
7-5	-	(TRIM RUBBER) *N/A	-
7-6	-	(TRIM RUBBER) *N/A	-
7-7	-	(TRIM RUBBER) *N/A	-
8	310-1761-20	UPPER CASE	1
9	331-4183-00	MECH BRKT	1
10	929-5002-80	DIGITAL-MECH	1
11	714-2606-8B	MACHINE SCREW	12
12	714-2610-8H	MACHINE SCREW	3
13	716-0878-50	SPECIAL SCREW	6
14	286-3678-00	SET-PLATE	1
15	290-8506-18 290-8506-28	LABEL(PJ2893TE) LABEL(PJ2893TF)	1 1
16	290-0171-10 290-0171-18	LABEL(PJ2893TE) LABEL(PJ2893TF)	1 1
17	-	(FILM) *N/A	-
18	347-8097-00	FILM	1
19	-	(SETPLATE) *N/A	-
20	-	(GASKET) *N/A	-
21	-	(EX-LEAD) *N/A	-
22	-	(LABEL) *N/A	-
23	331-4134-00	LCD COVER	1
24	347-7813-00	FILM(LCD)	1
25	379-1360-30	INDICATOR	1
26	347-7812-00	LCD FILM	1
27	335-7708-00	ILL-PLATE(LCD)	1
28	335-7707-00	LCD HOLDER	1
29	-	(TRIM RUBBER) *N/A	-
30	-	(TRIM RUBBER) *N/A	-
31	-	(TRIM RUBBER) *N/A	-



**ELECTRICAL PARTS LIST** \* Only the mounted parts are described in the electrical parts list.

**MAIN PWB(B1) section**

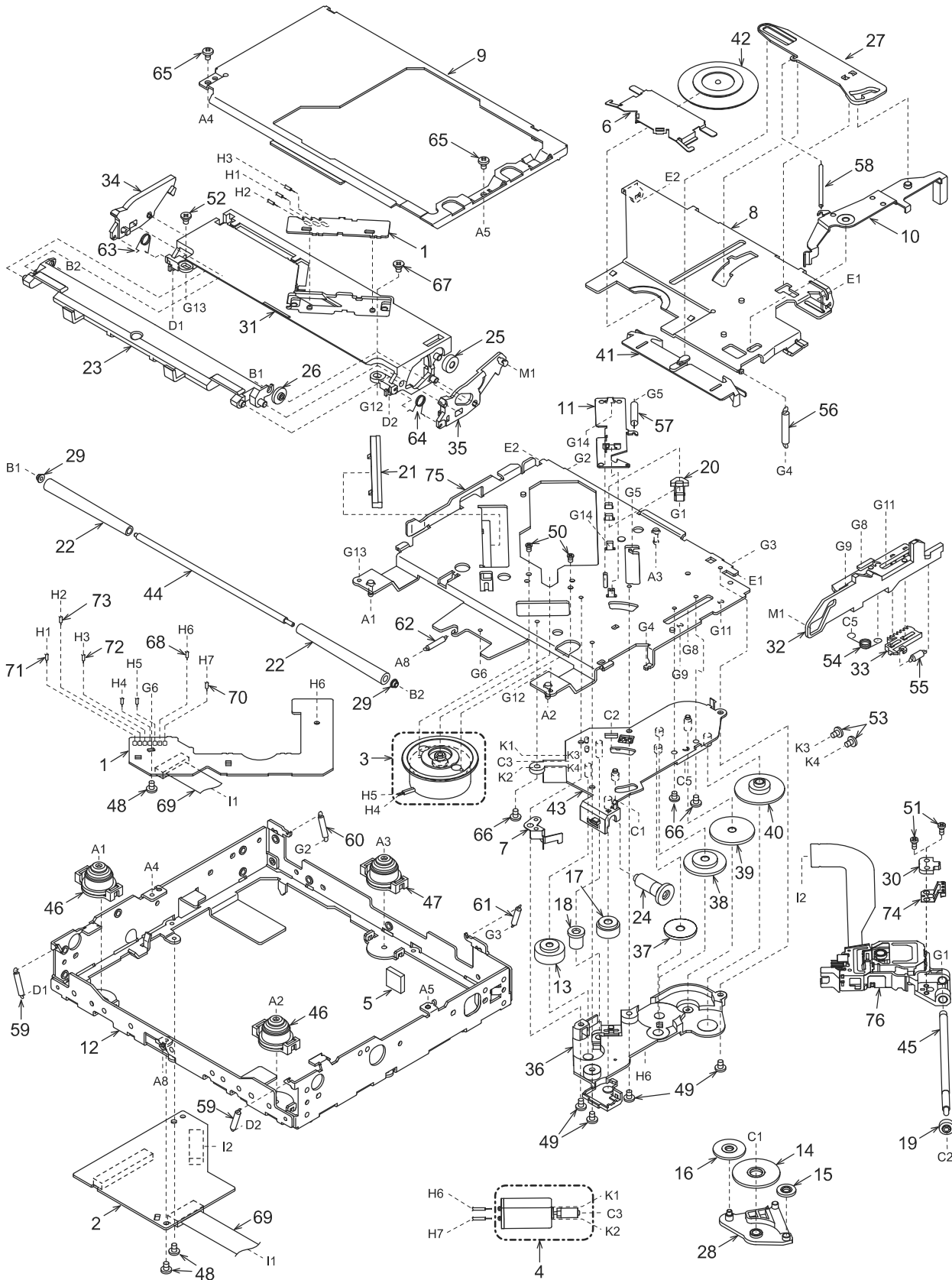
REF No.	PART No.	DESCRIPTION	REF No.	PART No.	DESCRIPTION	REF No.	PART No.	DESCRIPTION
ANT101	092-0702-50	ANT-RECEPT	C189	163-1063-35	16V 10uF	C307	166-1011-50	100pF CH
BL101	941-0215-73	TUNER PACK	C190	163-1063-35	16V 10uF	C308	166-1011-50	100pF CH
C099	168-1022-55	1000pF K	C191	166-8097-50	8pF +/-0.5pF CH	C309	166-1011-50	100pF CH
C100	168-1022-55	1000pF K	C192	163-1073-35	16V 100uF	CCT101	050-0122-53	1/10W 1k ohm x4 J
C101	166-1511-50	150pF CH	C193	168-1832-55	0.018uF K	CCT102	050-0122-53	1/10W 1k ohm x4 J
C103	168-1022-55	1000pF K	C194	168-1042-78	16V 0.1uF K	CCT103	050-0122-53	1/10W 1k ohm x4 J
C106	168-2232-55	0.022uF K	C195	163-1063-35	16V 10uF	CCT104	050-0122-53	1/10W 1k ohm x4 J
C109	168-1042-78	16V 0.1uF K	C196	163-1063-35	16V 10uF	D101	001-0347-58	MA4130LTA
C110	163-4763-35	16V 47uF	C197	163-1063-35	16V 10uF	D201	001-0504-31	HZS6 A2L
C111	168-1022-55	1000pF K	C198	163-1063-35	16V 10uF	D202	001-0504-45	HZS9 B1L
C112	042-1458-90	50V 1uF LN	C199	163-1073-35	16V 100uF	D203	001-0347-54	MA4110H
C113	187-1073-35	16V 100uF	C201	188-4756-58	35V 4.7uF	D204	001-0347-49	MA4100L
C115	168-1042-78	16V 0.1uF K	C202	163-6853-45	25V 6.8uF	D205	001-0504-47	HZS9 B3L
C116	168-1042-78	16V 0.1uF K	C203	187-1063-35	16V 10uF	D206	001-0347-58	MA4130LTA
C119	168-2232-55	0.022uF K	C205	168-2232-55	0.022uF K	D207	001-0347-61	MA4140MTA
C120	178-4742-78	0.47uF	C206	168-1042-78	16V 0.1uF K	D208	001-0466-90	S5688B
C121	187-1073-35	16V 100uF	C207	187-1063-35	16V 10uF	D209	001-0330-90	1SS119
C122	168-3332-78	0.033uF K	C208	189-4773-38	16V 470uF	D210	001-0504-35	HZS6 C2L
C123	178-4742-78	0.47uF	C209	168-2232-55	0.022uF K	D211	001-0466-90	S5688B
C124	163-4763-35	16V 47uF	C210	163-1063-35	16V 10uF	D212	001-0347-55	MA4120L
C125	168-1042-78	16V 0.1uF K	C211	189-2273-38	16V 220uF	D214	001-0592-00	RM4Z
C126	163-1073-35	16V 100uF	C213	163-4763-35	16V 47uF	D215	001-0466-90	S5688B
C127	166-1011-50	100pF CH	C214	168-1032-55	0.01uF K	D301	001-7048-93	RPG1112H-TR PURE -GRN (for PJ2893TE)
C128	168-1022-55	1000pF K	C215	187-2253-65	50V 2.2uF			
C129	168-1022-55	1000pF K	C216	188-2256-68	50V 2.2uF			
C130	042-0653-50	25V 33uF TAN	C217	188-2256-68	50V 2.2uF	001-7048-94		RAY1112H-75M E,F, G YEL (for PJ2893TF)
C131	168-1022-55	1000pF K	C218	188-2256-68	50V 2.2uF			
C132	168-1042-78	16V 0.1uF K	C219	188-2256-68	50V 2.2uF			
C133	168-1042-78	16V 0.1uF K	C220	187-1063-35	16V 10uF	D302	001-7048-93	RPG1112H-TR PURE -GRN (for PJ2893TE)
C134	042-0398-53	16V 3.3uF TAN	C221	168-2712-55	270pF K			
C135	168-2245-79	0.22uF Z	C222	168-2712-55	270pF K			
C136	168-3332-78	0.033uF K	C223	187-1073-35	16V 100uF	001-7048-94		RAY1112H-75M E,F, G YEL (for PJ2893TF)
C137	168-1032-55	0.01uF K	C224	168-1222-55	1200pF K			
C138	168-1022-55	1000pF K	C225	187-4763-35	16V 47uF			
C139	168-6832-78	0.068uF K	C226	168-1222-55	1200pF K	D303	001-7048-93	RPG1112H-TR PURE -GRN (for PJ2893TE)
C140	168-3322-55	3300pF K	C227	168-1222-55	1200pF K			
C141	168-3332-78	0.033uF K	C228	168-1222-55	1200pF K			
C142	168-3332-78	0.033uF K	C230	187-4763-45	25V 47uF	001-7048-94		RAY1112H-75M E,F, G YEL (for PJ2893TF)
C143	178-2255-79	2.2uF	C231	187-4763-45	25V 47uF			
C144	168-3332-78	0.033uF K	C232	189-1083-51	35V 1000uF	D304	001-7048-93	RPG1112H-TR PURE -GRN (for PJ2893TE)
C145	178-2255-79	2.2uF	C234	187-1073-15	6.3V 100uF			
C148	168-6832-78	0.068uF K	C236	189-1073-58	35V 100uF			
C150	168-3332-78	0.033uF K	C237	187-4763-15	6.3V 47uF			
C151	168-3332-78	0.033uF K	C238	187-1073-15	6.3V 100uF	001-7048-94		RAY1112H-75M E,F, G YEL (for PJ2893TF)
C155	163-1073-35	16V 100uF	C240	172-1041-11	0.1uF			
C156	163-2253-65	50V 2.2uF	C241	163-4763-15	6.3V 47uF			
C157	168-1042-78	16V 0.1uF K	C242	163-2263-55	35V 22uF	D305	001-7048-93	RPG1112H-TR PURE -GRN (for PJ2893TE)
C158	168-3332-78	0.033uF K	C243	163-1063-55	35V 10uF			
C159	168-3332-78	0.033uF K	C244	187-4763-45	25V 47uF	001-7048-94		RAY1112H-75M E,F, G YEL (for PJ2893TF)
C160	168-1042-78	16V 0.1uF K	C245	172-1041-11	0.1uF			
C161	163-2253-65	50V 2.2uF	C246	187-4763-45	25V 47uF			
C162	178-3342-78	0.33uF	C247	189-1083-51	35V 1000uF	D306	001-7048-93	RPG1112H-TR PURE -GRN (for PJ2893TE)
C165	178-3342-78	0.33uF	C248	187-1073-15	6.3V 100uF			
C166	163-1053-65	50V 1uF	C249	189-1073-58	35V 100uF			
C167	163-1053-65	50V 1uF	C250	187-1073-15	6.3V 100uF	001-7048-94		RAY1112H-75M E,F, G YEL (for PJ2893TF)
C168	168-1522-55	1500pF K	C251	163-1053-65	50V 1uF			
C169	168-1522-55	1500pF K	C252	189-1083-41	25V 1000uF			
C174	168-1042-78	16V 0.1uF K	C253	189-1083-41	25V 1000uF			
C175	168-1042-78	16V 0.1uF K	C254	189-1083-41	25V 1000uF	IC101	051-4618-90	HA12181FP-EL-E
C176	168-1042-78	16V 0.1uF K	C255	189-1083-41	25V 1000uF	IC102	052-1952-00	uPD178078GF-732-3 BAA
C177	168-1042-78	16V 0.1uF K	C256	172-1541-11	0.15uF			
C178	178-1842-78	0.18uF	C258	172-1541-11	0.15uF	IC103	051-5027-00	LC75412WH
C179	178-1842-78	0.18uF	C259	172-1541-11	0.15uF	IC201	051-1805-00	LA4450
C180	168-1222-55	1200pF K	C260	172-1541-11	0.15uF	IC202	051-1805-00	LA4450
C181	168-1222-55	1200pF K	C261	168-1042-78	16V 0.1uF K	IC301	051-6066-00	NJU6535FG1
C182	166-5601-50	56pF CH	C301	168-1042-78	16V 0.1uF K	J101	074-1192-26	26P
C183	166-5601-50	56pF CH	C302	163-1063-35	16V 10uF	J201	074-1061-00	SOCKET
C185	166-1011-50	100pF CH	C303	168-4732-78	0.047uF K	L101	010-2003-04	30uH
C186	166-1011-50	100pF CH	C304	168-4732-78	0.047uF K	L102	010-6027-03	22uH
C187	166-1011-50	100pF CH	C305	168-4732-78	0.047uF K	L103	010-3407-75	120uH J
C188	166-1011-50	100pF CH	C306	166-1011-50	100pF CH	L104	010-6027-02	2.2uH

REF No.	PART No.	DESCRIPTION	REF No.	PART No.	DESCRIPTION	REF No.	PART No.	DESCRIPTION
L105	010-6027-02	2.2uH	R130	119-4731-15	1/10W 47k ohm	R218	119-6821-15	1/10W 6.8k ohm
L201	009-0621-83	0.7mH/1kHz DC1A	R131	119-1041-15	1/10W 100k ohm	R219	116-1011-15	1/4W 100 ohm
P301	076-0540-16	16P	R132	119-1041-15	1/10W 100k ohm	R220	116-1011-15	1/4W 100 ohm
Q101	192-2712-50	2SC2712 Y,G,L	R134	119-4731-15	1/10W 47k ohm	R221	119-3321-15	1/10W 3.3k ohm
Q102	192-2712-50	2SC2712 Y,G,L	R136	119-4731-15	1/10W 47k ohm	R222	119-3321-15	1/10W 3.3k ohm
Q103	190-1736-00	2SA1736	R137	119-1031-15	1/10W 10k ohm	R223	119-3321-15	1/10W 3.3k ohm
Q104	190-1736-00	2SA1736	R138	119-1041-15	1/10W 100k ohm	R224	119-3321-15	1/10W 3.3k ohm
Q105	190-1736-00	2SA1736	R139	119-4731-15	1/10W 47k ohm	R225	119-1831-15	1/10W 18k ohm
Q106	190-1162-00	2SA1162	R140	119-1031-15	1/10W 10k ohm	R226	119-1521-15	1/10W 1.5k ohm
Q107	125-2004-92	RN1402	R142	119-1841-15	1/10W 180k ohm	R227	119-1521-15	1/10W 1.5k ohm
Q201	125-0002-92	RN2402	R143	119-1231-15	1/10W 12k ohm	R228	119-1521-15	1/10W 1.5k ohm
Q202	193-1306-00	2SD1306	R144	119-2731-15	1/10W 27k ohm	R229	119-1521-15	1/10W 1.5k ohm
Q203	193-2118-00	2SD2118F5	R145	119-5621-15	1/10W 5.6k ohm	R230	119-3911-15	1/10W 390 ohm
Q204	125-0002-93	RN2403	R146	119-4731-15	1/10W 47k ohm	R231	119-4731-15	1/10W 47k ohm
Q205	192-2712-00	2SC2712	R147	119-4731-15	1/10W 47k ohm	R232	119-4731-15	1/10W 47k ohm
Q206	125-0002-92	RN2402	R148	119-2421-15	1/10W 2.4k ohm	R233	116-1011-15	1/4W 100 ohm
Q207	125-2004-93	RN1403	R149	119-4731-15	1/10W 47k ohm	R234	116-1011-15	1/4W 100 ohm
Q208	125-4008-92	HN4C05JU-B	R151	119-0000-05	1/10W 0 ohm JW	R235	116-2721-15	1/4W 2.7k ohm
Q209	103-2012-00	2SD2012	R153	119-1031-15	1/10W 10k ohm	R236	119-3331-15	1/10W 33k ohm
Q210	125-4008-92	HN4C05JU-B	R154	119-2231-15	1/10W 22k ohm	R237	116-8221-15	1/4W 8.2k ohm
Q211	125-0002-92	RN2402	R157	119-4721-15	1/10W 4.7k ohm	R238	119-4731-15	1/10W 47k ohm
Q212	125-2004-93	RN1403	R158	119-1021-15	1/10W 1k ohm	R239	116-1821-15	1/4W 1.8k ohm
Q213	193-1863-00	2SD1863	R159	119-4721-15	1/10W 4.7k ohm	R240	116-1821-15	1/4W 1.8k ohm
Q214	193-1863-00	2SD1863	R160	119-1021-15	1/10W 1k ohm	R241	119-1021-15	1/10W 1k ohm
Q215	125-2004-93	RN1403	R161	119-4721-15	1/10W 4.7k ohm	R243	116-8221-15	1/4W 8.2k ohm
Q216	193-2118-00	2SD2118F5	R162	119-4731-15	1/10W 47k ohm	R244	119-4731-15	1/10W 47k ohm
Q217	191-1243-00	2SB1243	R165	119-1021-15	1/10W 1k ohm	R246	119-2211-15	1/10W 220 ohm
Q218	125-2004-92	RN1402	R166	119-4731-15	1/10W 47k ohm	R248	119-2211-15	1/10W 220 ohm
Q219	103-2012-00	2SD2012	R167	119-4731-15	1/10W 47k ohm	R249	116-1001-15	1/4W 10 ohm
Q220	191-1243-00	2SB1243	R169	119-2731-15	1/10W 27k ohm	R250	116-1001-15	1/4W 10 ohm
Q221	125-2004-92	RN1402	R170	119-2721-15	1/10W 2.7k ohm	R251	116-1521-15	1/4W 1.5k ohm
Q223	125-0002-92	RN2402	R171	119-4721-15	1/10W 4.7k ohm	R252	119-1021-15	1/10W 1k ohm
Q224	125-2004-92	RN1402	R172	119-4721-15	1/10W 4.7k ohm	R253	116-2211-15	1/4W 220 ohm
Q225	103-2012-00	2SD2012	R173	119-2721-15	1/10W 2.7k ohm	R254	116-2211-15	1/4W 220 ohm
Q226	190-1736-00	2SA1736	R174	119-2731-15	1/10W 27k ohm	R255	116-1031-15	1/4W 10k ohm
Q227	192-2712-50	2SC2712 Y,G,L	R176	119-1021-15	1/10W 1k ohm	R256	119-4721-15	1/10W 4.7k ohm
Q228	192-2712-00	2SC2712	R177	119-1021-15	1/10W 1k ohm	R258	119-2211-15	1/10W 220 ohm
R101	119-0000-05	1/10W 0 ohm JW	R180	119-3331-15	1/10W 33k ohm	R259	119-1031-15	1/10W 10k ohm
R102	119-0000-05	1/10W 0 ohm JW	R181	119-3331-15	1/10W 33k ohm	R260	119-1031-15	1/10W 10k ohm
R103	119-1041-15	1/10W 100k ohm	R182	119-1031-15	1/10W 10k ohm	R261	119-2211-15	1/10W 220 ohm
R104	119-2221-15	1/10W 2.2k ohm	R183	119-0000-05	1/10W 0 ohm JW	R262	116-1021-15	1/4W 1k ohm
R105	119-2221-15	1/10W 2.2k ohm	R186	119-4731-15	1/10W 47k ohm	R263	117-2291-15	1/8W 2.2 ohm
R106	119-4721-15	1/10W 4.7k ohm	R192	116-3331-15	1/4W 33k ohm	R264	117-2291-15	1/8W 2.2 ohm
R107	119-3311-15	1/10W 330 ohm	R194	119-4731-15	1/10W 47k ohm	R265	117-2291-15	1/8W 2.2 ohm
R108	119-1021-15	1/10W 1k ohm	R197	119-4741-15	1/10W 470k ohm	R266	116-0000-05	1/4W 0 ohm JW
R109	119-2221-15	1/10W 2.2k ohm	R198	119-4731-15	1/10W 47k ohm	R267	117-2291-15	1/8W 2.2 ohm
R110	119-3321-15	1/10W 3.3k ohm	R201	119-2221-15	1/10W 2.2k ohm	R268	116-2231-15	1/4W 22k ohm
R111	119-2231-15	1/10W 22k ohm	R202	119-2221-15	1/10W 2.2k ohm	R270	119-4731-15	1/10W 47k ohm
R112	111-1001-94	1/4W 10 ohm	R203	119-2221-15	1/10W 2.2k ohm	R301	116-4711-15	1/4W 470 ohm
R113	119-2221-15	1/10W 2.2k ohm	R204	119-2221-15	1/10W 2.2k ohm	R302	116-4711-15	1/4W 470 ohm
R114	119-4721-15	1/10W 4.7k ohm	R205	119-3321-15	1/10W 3.3k ohm	R303	116-4711-15	1/4W 470 ohm
R115	119-1031-15	1/10W 10k ohm	R206	119-1041-15	1/10W 100k ohm	R304	116-4711-15	1/4W 470 ohm
R116	116-2291-15	1/4W 2.2 ohm	R207	116-1021-15	1/4W 1k ohm	R305	116-4711-15	1/4W 470 ohm
R118	119-1031-15	1/10W 10k ohm	R208	116-1021-15	1/4W 1k ohm	R306	116-4711-15	1/4W 470 ohm
R120	119-2221-15	1/10W 2.2k ohm	R209	119-3311-15	1/10W 330 ohm	SUP101	060-0122-20	DSP-141N-S00B
R121	119-2221-15	1/10W 2.2k ohm	R210	119-2221-15	1/10W 2.2k ohm	TC101	004-1580-32	TRIMMER
R122	119-1031-15	1/10W 10k ohm	R211	119-4721-15	1/10W 4.7k ohm	TM101	073-0762-90	TERMINAL
R123	119-0000-05	1/10W 0 ohm JW	R212	116-1831-15	1/4W 18k ohm	TM102	073-0762-90	TERMINAL
R125	119-1021-15	1/10W 1k ohm	R213	119-2221-15	1/10W 2.2k ohm	TM103	073-0762-90	TERMINAL
R126	119-1021-15	1/10W 1k ohm	R214	119-3911-15	1/10W 390 ohm	TM201	073-0762-90	TERMINAL
R127	119-1031-15	1/10W 10k ohm	R215	119-3911-15	1/10W 390 ohm	X101	061-3055-00	4.5MHz
R128	119-1031-15	1/10W 10k ohm	R216	116-1011-15	1/4W 100 ohm	PWB	039-3658-01	PWB(WITHOUT COMPONENTS)
R129	119-4731-15	1/10W 47k ohm	R217	116-1011-15	1/4W 100 ohm			

SW PWB(B2) section

REF No.	PART No.	DESCRIPTION	REF No.	PART No.	DESCRIPTION	REF No.	PART No.	DESCRIPTION
C101	168-1042-78	16V 0.1uF K	D410	001-7048-93	RPG1112H-TR PURE	D421	001-0516-90	MA111
C102	168-1042-78	16V 0.1uF K			-GRN	D422	001-0516-90	MA111
D401	001-7048-93	RPG1112H-TR PURE		001-7048-94	RAY1112H-75M E,F,	D423	001-0516-90	MA111
		-GRN			G YEL	D424	001-0516-90	MA111
	001-7048-94	RAY1112H-75M E,F,	D411	001-7048-93	RPG1112H-TR PURE	D425	001-0516-90	MA111
		G YEL			-GRN	D426	001-0516-90	MA111
		(for PJ2893TF)		001-7048-94	RAY1112H-75M E,F,	J401	074-1151-16	16P
D402	001-7048-93	RPG1112H-TR PURE			G YEL	R401	116-4721-15	1/4W 4.7k ohm
		-GRN		001-7048-94	(for PJ2893TF)	R402	116-4721-15	1/4W 4.7k ohm
	001-7048-94	RAY1112H-75M E,F,	D412	001-7048-93	RPG1112H-TR PURE	R403	116-4721-15	1/4W 4.7k ohm
		G YEL			-GRN	R404	116-4721-15	1/4W 4.7k ohm
		(for PJ2893TF)		001-7048-94	RAY1112H-75M E,F,	R405	116-4721-15	1/4W 4.7k ohm
D403	001-7048-93	RPG1112H-TR PURE			G YEL	R406	116-4721-15	1/4W 4.7k ohm
		-GRN	D412	001-7048-93	(for PJ2893TF)	R407	116-4721-15	1/4W 4.7k ohm
	001-7048-94	RAY1112H-75M E,F,			-GRN	R408	116-4721-15	1/4W 4.7k ohm
		G YEL		001-7048-94	RAY1112H-75M E,F,	R409	116-4721-15	1/4W 4.7k ohm
		(for PJ2893TF)			G YEL	R410	116-4721-15	1/4W 4.7k ohm
D404	001-7048-93	RPG1112H-TR PURE	D413	001-7048-93	RPG1112H-TR PURE	R411	116-4721-15	1/4W 4.7k ohm
		-GRN			-GRN	R412	116-4721-15	1/4W 4.7k ohm
	001-7048-94	RAY1112H-75M E,F,		001-7048-94	(for PJ2893TE)	R413	116-4721-15	1/4W 4.7k ohm
		G YEL			RAY1112H-75M E,F,	R414	116-4721-15	1/4W 4.7k ohm
		(for PJ2893TF)			G YEL	R415	116-4721-15	1/4W 4.7k ohm
D405	001-7048-93	RPG1112H-TR PURE	D414	001-7048-93	RPG1112H-TR PURE	R416	116-4721-15	1/4W 4.7k ohm
		-GRN			-GRN	R417	116-5621-15	1/4W 5.6k ohm
	001-7048-94	RAY1112H-75M E,F,		001-7048-94	(for PJ2893TE)	R418	116-5621-15	1/4W 5.6k ohm
		G YEL			RAY1112H-75M E,F,	R419	119-1021-15	1/10W 1k ohm
		(for PJ2893TF)			G YEL	R420	119-1021-15	1/10W 1k ohm
D406	001-7048-93	RPG1112H-TR PURE		001-7048-94	(for PJ2893TF)	R421	119-1021-15	1/10W 1k ohm
		-GRN	D415	001-7048-93	RPG1112H-TR PURE	R422	119-1021-15	1/10W 1k ohm
	001-7048-94	RAY1112H-75M E,F,			-GRN	R423	119-1021-15	1/10W 1k ohm
		G YEL			(for PJ2893TE)	R424	119-1021-15	1/10W 1k ohm
		(for PJ2893TF)		001-7048-94	RAY1112H-75M E,F,	R425	119-1021-15	1/10W 1k ohm
D407	001-7048-93	RPG1112H-TR PURE			G YEL	R426	119-1021-15	1/10W 1k ohm
		-GRN		001-7048-94	(for PJ2893TF)	R427	116-4721-15	1/4W 4.7k ohm
	001-7048-94	RAY1112H-75M E,F,	D416	001-7048-93	RPG1112H-TR PURE	R428	116-4721-15	1/4W 4.7k ohm
		G YEL			-GRN	R429	116-4721-15	1/4W 4.7k ohm
		(for PJ2893TF)			(for PJ2893TE)	S401	013-6305-51	SKPMAME010
D408	001-7048-93	RPG1112H-TR PURE		001-7048-94	RAY1112H-75M E,F,	S402	013-6305-51	SKPMAME010
		-GRN			G YEL	S403	013-6305-51	SKPMAME010
	001-7048-94	RAY1112H-75M E,F,			(for PJ2893TF)	S404	013-6305-51	SKPMAME010
		G YEL	D417	001-7048-93	RPG1112H-TR PURE	S405	013-6305-51	SKPMAME010
		(for PJ2893TF)			-GRN	S406	013-6305-51	SKPMAME010
D409	001-7048-93	RPG1112H-TR PURE		001-7048-94	RAY1112H-75M E,F,	S407	013-6305-51	SKPMAME010
		-GRN			G YEL	S408	013-6305-51	SKPMAME010
	001-7048-94	RAY1112H-75M E,F,	D418	001-7048-93	RPG1112H-TR PURE	S409	013-6305-51	SKPMAME010
		G YEL			-GRN	S410	013-6305-51	SKPMAME010
		(for PJ2893TF)		001-7048-94	RAY1112H-75M E,F,	S411	013-6305-51	SKPMAME010
		(for PJ2893TF)			G YEL	S412	013-6305-51	SKPMAME010
		(for PJ2893TF)			(for PJ2893TF)	S413	013-6305-51	SKPMAME010
		(for PJ2893TF)			RPG1112H-TR PURE	S414	013-6305-51	SKPMAME010
		(for PJ2893TF)			-GRN	S415	013-6305-51	SKPMAME010
		(for PJ2893TF)		001-7048-94	RAY1112H-75M E,F,	S415	013-6305-51	SKPMAME010
		(for PJ2893TF)			G YEL	VR401	016-0018-15	VR W/SHAFT
		(for PJ2893TF)			(for PJ2893TF)	PWB	039-3486-00	PWB(WITHOUT COMPONENTS)
		(for PJ2893TF)	D419	001-0516-90	MA111			
		(for PJ2893TF)	D420	001-0516-90	MA111			

# EXPLODED VIEW/PARTS LIST



NO.	PART NO.	DESCRIPTION	Q'TY	NO.	PART NO.	DESCRIPTION	Q'TY
1	-----	SENSOR PWB	1	39	621-1750-20	POWER GEAR C	1
2	-----	CD PWB	1	40	621-1751-20	POWER GEAR D	1
3	SMA-182-100	SPINDLE MOTOR-ASSY	1	41	621-1752-20	DISC STOPPER	1
4	SMA-183-100	SLED MOTOR-ASSY	1	42	621-1753-20	CLAMPER RING	1
5	345-5476-20	CUSHION RUBBER	1	43	621-1754-20	GEAR BASE	1
6	620-1023-23	CLAMPER PLATE	1	44	622-1571-21	ROLLER SHAFT	1
7	620-1026-21	SPRING PLATE	1	45	624-0020-00	LEAD SCREW	1
8	620-1596-23	CLAMPER LINK	1	46	629-0086-20	DAMPER F	2
9	620-1598-22	UPPER CHASSIS	1	47	629-0087-20	DAMPER R	1
10	620-1752-20	SENSOR ARM	1	48	716-1507-01	SCREW(M2x3)	3
11	620-1753-20	ID-LOCK PLATE	1	49	716-1670-01	SCREW(M2x4)	4
12	620-1754-20	LOWER CHASSIS	1	50	716-1733-01	SCREW(M1.7x2.3)	2
13	621-0608-21	SECOND GEAR	1	51	716-3469-01	SCREW(1.7x4)	2
14	621-0609-20	BASE GEAR	1	52	716-3473-01	SCREW(M2x3)	1
15	621-0610-20	IDLE GEAR A	1	53	716-3551-00	SCREW(M1.4x2.5)	2
16	621-0611-20	IDLE GEAR B	1	54	750-3467-21	SHIFT SPRING	1
17	621-0612-21	ROLLER GEAR A	1	55	750-3468-20	RACK SPRING	1
18	621-0620-20	THREAD GEAR A	1	56	750-3469-20	CLAMPER SPRING	1
19	621-0621-20	THREAD GEAR B	1	57	750-3470-20	ID-LOCK SPRING	1
20	621-0623-23	LS-HOLDER	1	58	750-3471-20	SENSOR SPRING	1
21	621-0624-22	GUIDE RAIL	1	59	750-3472-21	DR-SPRING F	2
22	621-0711-20	LOADING ROLLER	2	60	750-3473-20	DR-SPRING RA	1
23	621-0718-21	ROLLER GUIDE	1	61	750-3474-20	DR-SPRING RB	1
24	621-0719-20	ROLLER GEAR	1	62	750-3475-21	DR-SPRING C	1
25	621-0720-20	ROLLER GEAR C	1	63	750-6797-20	ROLLER SPRING L	1
26	621-0721-20	ROLLER GEAR D	1	64	750-6798-20	ROLLER SPRING R	1
27	621-0728-20	STOPPER LINK	1	65	714-2003-8B	SCREW(M2x3)	2
28	621-1719-20	IDLE CASE	1	66	780-2025-00	SCREW(M2x2.5)	3
29	621-1726-20	ROLLER SLEEVE	2	67	781-1730-00	SCREW(M1.7x3)	1
30	621-1729-20	SH-BASE	1	68	803-4906-60	VINYL-COAT-WIRE(ORG)	1
31	621-1742-20	UPPER GUIDE	1	69	816-2542-01	FLAT WIRE	1
32	621-1743-20	SHIFT LEVER	1	70	816-2590-00	SPECIAL LEAD(GRN)	1
33	621-1744-20	RACK	1	71	816-2591-00	SPECIAL LEAD(YEL)	1
34	621-1745-20	LOCK ARM L	1	72	816-2592-00	SPECIAL LEAD(BLUE)	1
35	621-1746-20	LOCK ARM R	1	73	816-2593-00	SPECIAL LEAD(PUR)	1
36	621-1747-20	GEAR COVER	1	74	966-1722-20	SH-RACK-ASSY	1
37	621-1748-20	POWER GEAR A	1	75	966-1743-21	DRIVE-PLT-ASSY	1
38	621-1749-20	POWER GEAR B	1	76	969-0071-30	PICKUP-ASSY	1

# ELECTRICAL PARTS LIST

## CD PWB(BM1) section

REF No.	PART No.	DESCRIPTION	REF No.	PART No.	DESCRIPTION	REF No.	PART No.	DESCRIPTION
C1	168-1042-78	16V 0.1uF	C35	046-6812-58	680pF	R2	117-1001-15	1/8W 10 ohm
C3	163-2273-05	4V220uF	C36	168-1042-78	16V 0.1uF	R9	033-2211-15	1/10W 220 ohm
C4	168-1042-78	16V 0.1uF	C37	168-1042-78	16V 0.1uF	R11	033-1051-15	1/10W 1M ohm
C5	163-1073-35	16V100uF	C38	046-1522-58	1500pF	R12	119-2221-15	1/10W 2.2k ohm
C6	163-1073-35	16V100uF	C39	046-4722-58	4700pF	R13	033-2211-15	1/10W 220 ohm
C7	168-1042-78	16V 0.1uF	C40	046-1032-78	0.01uF	R14	033-2211-15	1/10W 220 ohm
C9	178-1052-78	1uF	C41	046-1532-78	0.015uF	R16	033-2231-15	1/10W 22k ohm
C10	042-0560-85	6.3V 100uF	C43	168-1042-78	16V 0.1uF	R17	033-1011-15	1/10W 100 ohm
C11	046-4712-58	470pF	C45	045-6097-50	6pF	R18	033-3341-15	1/10W 330k ohm
C12	178-1052-78	1uF	C47	045-4701-50	47pF	R19	033-5621-15	1/10W 5.6k ohm
C13	046-4712-58	470pF	C48	168-1042-78	16V 0.1uF	R21	033-2231-15	1/10W 22k ohm
C15	168-1042-78	16V 0.1uF	C49	168-1042-78	16V 0.1uF	R22	033-4731-15	1/10W 47k ohm
C16	168-4732-78	0.047uF K	C50	042-0666-00	12.5V 22uF	R24	033-1041-15	1/10W 100k ohm
C17	168-4732-78	0.047uF K	C51	046-5622-58	5600pF	R26	033-1531-15	1/10W 15k ohm
C18	168-1042-78	16V 0.1uF	C52	178-1052-78	1uF	R27	033-4731-15	1/10W 47k ohm
C19	168-1042-78	16V 0.1uF	C53	045-1007-50	10pF	R28	033-1831-15	1/10W 18k ohm
C21	046-6822-58	6800pF	C54	045-1007-50	10pF	R29	033-6821-15	1/10W 6.8k ohm
C22	046-3332-78	0.033uF	C55	178-1052-78	1uF	R30	033-8231-15	1/10W 82k ohm
C24	178-1052-78	1uF	CCT2	050-0140-63	1/32W 47k ohm x4J	R31	033-8231-15	1/10W 82k ohm
C25	168-1042-78	16V 0.1uF	D1	001-0367-91	1SS226	R32	119-1001-15	1/10W 10 ohm
C26	168-1042-78	16V 0.1uF	IC1	051-6071-08	BA5825FP-E2	R33	033-2731-15	1/10W 27k ohm
C28	168-1042-78	16V 0.1uF	IC2	051-6399-00	TC94A15F	R34	033-2731-15	1/10W 27k ohm
C29	168-1042-78	16V 0.1uF	J101	074-1228-76	26P	R35	033-2731-15	1/10W 27k ohm
C30	045-6801-50	68pF	J201	074-1138-65	15P	R36	033-2731-15	1/10W 27k ohm
C31	168-1042-78	16V 0.1uF	J301	074-1138-60	10P	R37	032-0162-50	1/10W 0.51 ohm
C32	168-1042-78	16V 0.1uF	Q1	131-1188-50	2SB1188PQR	X2	061-3534-90	16.92MHz
C33	046-1532-78	0.015uF	Q2	131-1188-50	2SB1188PQR	PWB	039-2435-20	PWB(WITHOUT COMPONENT)
C34	168-1042-78	16V 0.1uF	R1	117-6811-15	1/8W 680 ohm			

## Sensor PWB(BM2) section

REF No.	PART No.	DESCRIPTION	REF No.	PART No.	DESCRIPTION	REF No.	PART No.	DESCRIPTION
D1	001-7058-90	AN1105W-RR	Q1	060-4015-91	PS1192HB	S2	013-7413-50	LIMIT
D2	001-7058-90	AN1105W-RR	Q2	060-4015-91	PS1192HB	PWB	039-2675-20	PWB(WITHOUT COMPONENT)
J1	074-1138-60	10P	S1	013-7414-50	CHUCKING			